



NUMBER: 23-049-04 REV. A

GROUP: Body

DATE: December 15, 2004

This bulletin is supplied as technical information only and is not an authorization for repair. No part of this publication may be reproduced, stored in a retrieval system, or transmitted, in any form or by any means, electronic, mechanical, photocopying, or otherwise, without written permission of DaimlerChrysler Corporation.

THIS BULLETIN IS BEING PROVIDED IN ADVANCE. DO NOT ORDER PARTS RELATED TO THIS BULLETIN UNTIL AFTER DECEMBER 31, 2004.

THIS BULLETIN SUPERSEDES TECHNICAL SERVICE BULLETIN 23-049-04, DATED NOVEMBER 22, 2004, WHICH SHOULD BE REMOVED FROM YOUR FILES. ALL REVISIONS ARE HIGHLIGHTED WITH **ASTERISKS**** AND INCLUDES ADDITIONAL MODEL YEARS, REPAIR INFORMATION AND PARTS.**

SUBJECT:

Sunroof Vents But Will Not Open/Close

OVERVIEW:

This bulletin involves disassembling and reassembling the sunroof mechanism ****and possibly replacing the locker slide(s).****

MODELS:

****2000**** - 2005 (PL) Neon/SRT4

NOTE:

SYMPTOM/CONDITION:

The sunroof may go to vent and close but will not go to open or the sunroof goes to vent position but will not close or open. These Symptoms occur after the sunroof has been operated at fast highway speeds which applies force to the sunroof mechanism and causes it to go "over-center" and bind usually on one side but could be both sides.

DIAGNOSIS:

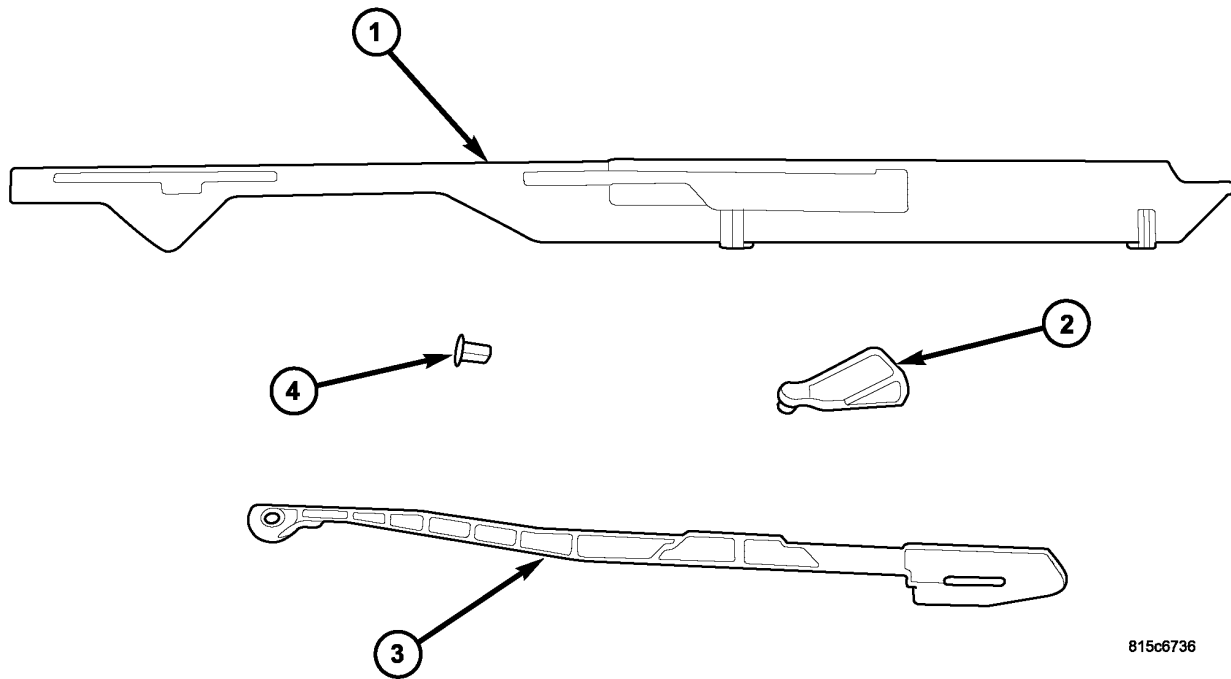
If the vehicle operator describes the above Symptom/Condition, perform the Repair Procedure.

*****PARTS REQUIRED:***

Qty.	Part No.	Description
AR (1)	05174865AA	Slide Kit, Sunroof Repair (Includes One Right and One Left Slide, Two Pins and Two Bushings) **



Stick with the Specialists™

REPAIR PROCEDURE:

815c6736

Fig. 1 SUNROOF MECHANISM COMPONENTS

- 1 - MECHANISM BRACKET
- 2 - MAIN LEVER
- 3 - LOCKER SLIDE
- 4 - BUSHING

1. Position the sunroof sunshade in the full rearward position.
2. Position the glass reinforcement panel in the CLOSED position before removing the six mounting screws.
3. Remove the six sunroof glass panel screws.
4. Push the glass panel upward from the underside until the glass panel clears the roof panel.
5. Lift glass panel from the vehicle.
6. Put the sunroof mechanism in the vent position.
7. Using punch with diameter slightly smaller than the pin in mechanism (about 3 mm dia.), push the pin out of the mechanism, (Fig. 2).

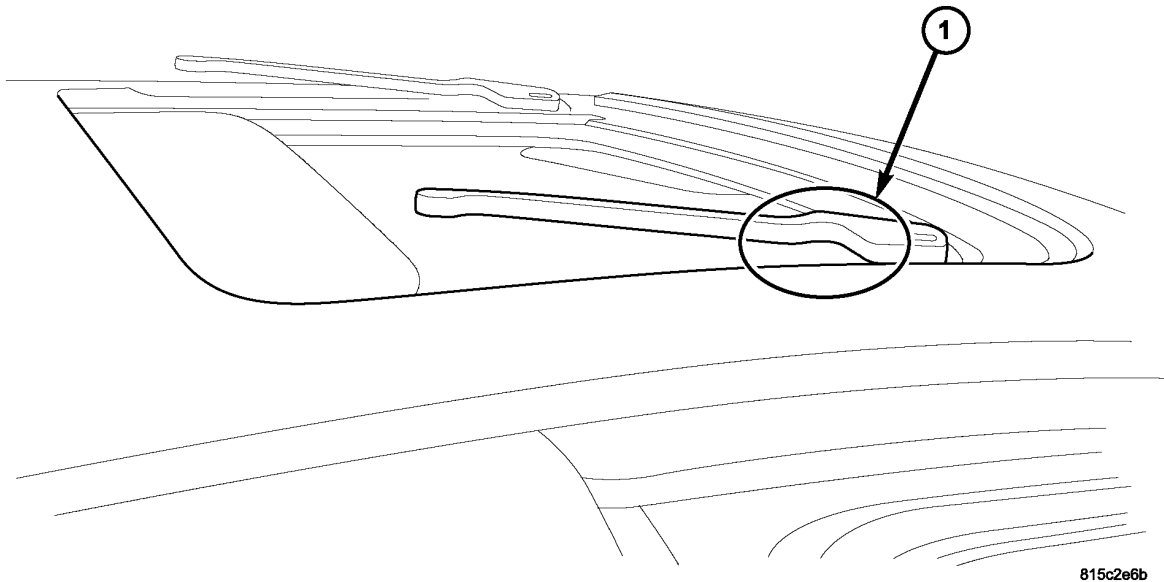
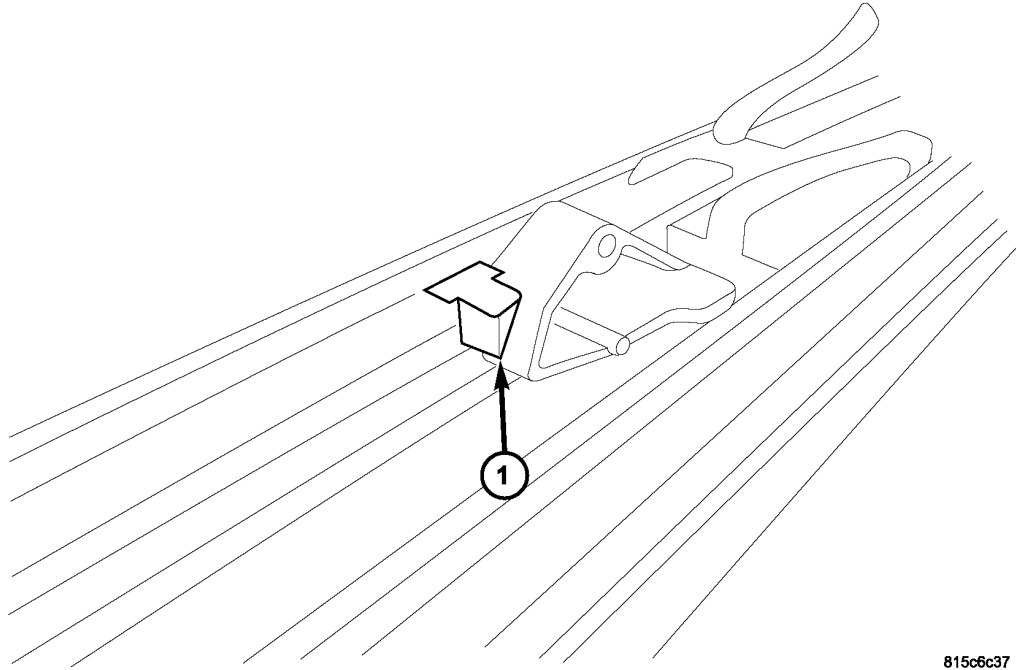


Fig. 2 PIN REMOVAL

1 - PIN LOCATION

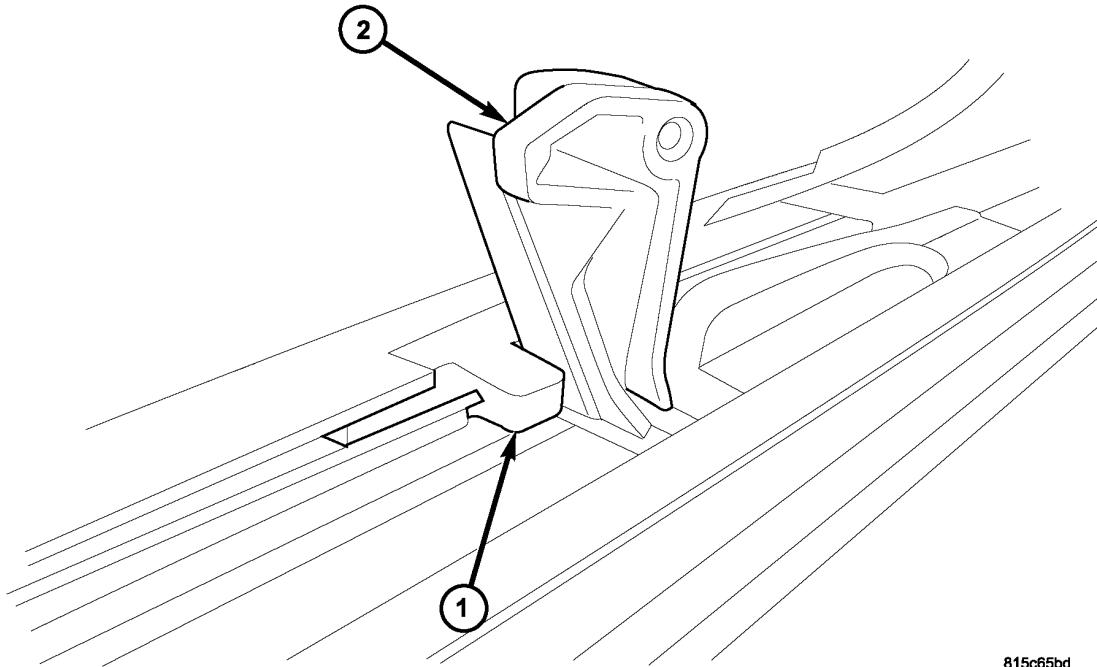
8. Pull up on mechanism bracket. **and remove the locker slide only if broken, if the locker slide is not broken then skip to step 10).
9. Hold appropriate (right or left) replacement locker slide from kit p/n 05174865AA, and insert into mechanism bracket.**
10. Make sure main lever is in the correct position, (Fig. 3). If the main lever is in the up position before the pin/block, (Fig. 4), it means the module is mistimed (symptoms for this are that the module will go to vent, but will not open).
11. If the sunroof is mistimed, move the sunroof to the closed position and carefully move the mechanism into the vent position (by using the switch), guiding the main lever so the pin/block goes into the slot/track of the main lever.
12. Push the locker slide all the way back in the mechanism bracket.



815c6c37

Fig. 3 CORRECT POSITION

1 - PIN/BLOCK MUST BE IN MAIN LEVER SLOT/TRACK



815c65bd

Fig. 4 INCORRECT POSITION

1 - MAIN LEVER SLOT/TRACK

2 - PIN/BLOCK NEEDS SLIDE THROUGH MAIN LEVER SLOT/TRACK, OR SUNROOF WILL NOT OPEN

13. Align the main lever, bushing and locker slide, (Fig. 5), by pushing down on the bracket and pulling forward on the main lever.
14. Gently install the pin from the inside of the opening. Push the pin in with punch until the pin is flush with the face of the locker slide side of the mechanism bracket opening (outboard side). **If the pin or bushing become lost or damaged replacements are available in kit p/n 05174865AA.
15. Repeat steps 6 - 14 for the other side if necessary.
16. Make sure the locker slides are engaged and cycle the sunroof to the close position,
17. Position the glass panel in the roof opening.
18. Start, but do not tighten, the glass attachment screws.**
19. Using a business card as a guide, slide the card around the edge of glass panel to ensure panel is centered in the opening.
20. Position the front of the sunroof glass panel so that the corners are flush to 1.0 mm below the top surface of the roof panel.
21. Position the rear of the sunroof glass panel so that the corners are flush to 1.0 mm over flush to the top surface of the roof panel.
22. With the aid of a helper, hold the glass panel in position and tighten glass attaching screws.
23. Cycle the sunroof and verify proper operation.

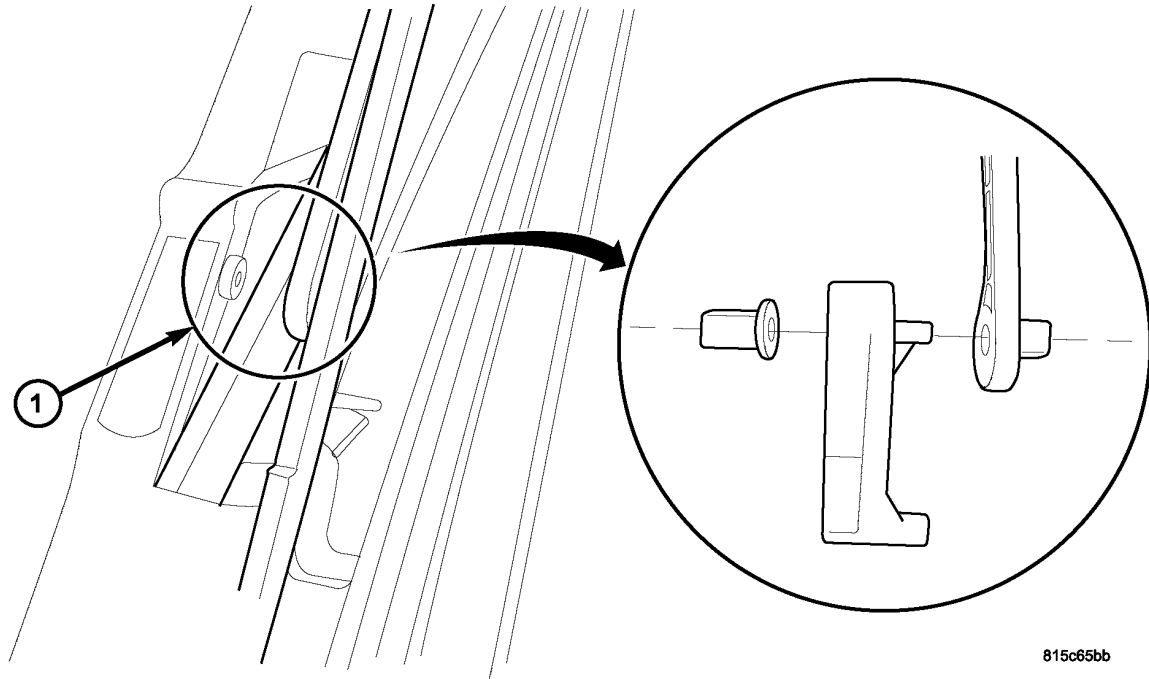


Fig. 5 HOLE ALIGNMENT

1 - PIN PASSES THROUGH THESE HOLES

POLICY:

Reimbursable within the provisions of the warranty.

TIME ALLOWANCE:

Labor Operation No:	Description	Amount
23-30-56-90	Retime Sunroof Slide Mechanism - Both Sides	0.4 Hrs.

FAILURE CODE:

61	Intermittent Operation
----	------------------------