

Technical Service Bulletin

NUMBER: 08-41-99

GROUP: Electrical

DATE: Dec. 10, 1999

This bulletin is supplied as technical information only and is not an authorization for repair. No part of this publication may be reproduced, stored in a retrieval system, or transmitted, in any form or by any means, electronic, mechanical, photocopying, recording, or otherwise, without written permission of <bx>DaimlerChrysler Corporation.

SUBJECT:

CD Changer Mechanism Shipping Procedure

MODELS:

2000 (LH) Concorde/Intrepid/LHS/300M
2000 (PL) Neon

NOTE: THIS BULLETIN APPLIES TO VEHICLES EQUIPPED WITH THE FOUR DISC CD CHANGER (SALES CODE RDW).

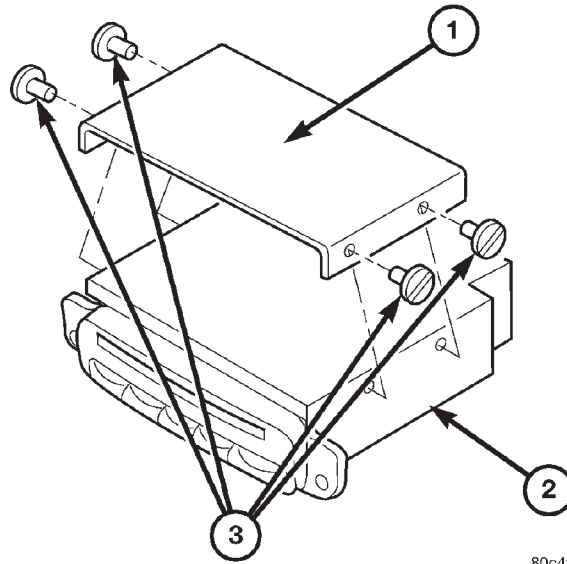
DISCUSSION:

The four disc CD Changer is serviced on an exchange basis with your local service center. When the replacement CD Changer arrives, four shipping screws must be removed before installation in order to allow the CD Changer to operate properly. The shipping screws secure the CD mechanism so that the mechanism is not damaged during shipping. Likewise, in order to ensure that the CD mechanism does not get damaged when the replaced CD Changer is returned to the service center, the shipping screws taken from the new CD Changer must be installed into the replaced CD Changer. Refer to the following instructions to properly initialize the CD Changer mechanism and to install the shipping screws.

RDW CD CHANGER INITIALIZATION AND SHIPPING SCREW INSTALLATION INSTRUCTIONS

1. Before removing the CD Changer from the vehicle, remove all discs from the CD Changer.
2. Turn the ignition key to the OFF position.
3. Follow the procedures in the appropriate Service Manual (Group 8F) to remove the CD Changer from the vehicle.
4. Disconnect the 8-way CD Changer connector from the CD Changer and wait at least five seconds.
5. Re-connect the 8-way CD Changer connector to the CD Changer. Once the 8-way connector has been re-connected, the CD Changer will re-initialize itself. The initialization process will take approximately 15 seconds to complete.
6. Once the initialization process has been completed, disconnect the 8-way CD Changer connector from the CD Changer. Then, remove the CD Changer from the vehicle.
7. Remove the shipping screws and label from the new CD Changer (Figure 1).
8. Install the previously removed shipping screws onto the replaced CD Changer.

9. Return replaced CD Changer to your local service center.



80c4f4f7

1-	LABEL
2-	CD CHANGER
3-	SHIPPING SCREWS

POLICY:

Information Only