

POWER MIRRORS

TABLE OF CONTENTS

	page		page
DESCRIPTION AND OPERATION		INSIDE MIRROR/READING LAMPS	
INTRODUCTION	1	BULB/LENS	3
DIAGNOSIS AND TESTING		MIRROR SWITCH	3
MIRROR SWITCH TEST	1	POWER MIRROR ASSEMBLY	3
POWER MIRROR MOTOR	2		
REMOVAL AND INSTALLATION			
INSIDE MIRROR/READING LAMPS			
ASSEMBLY	2		

DESCRIPTION AND OPERATION

INTRODUCTION

Electrically operated power mirrors are available on all car lines. The mirrors are controlled by a single switch assembly located on the driver's door trim panel. The push button rocker switch uses L (left) and R (right) for mirror selection and a button to push for the desired direction of mirror movement.

The motors which operate the mirrors are part of the mirror assembly and cannot be replaced separately.

The Ignition Off Draw fuse is included in the power mirror circuitry and should be checked if the mirrors are inoperative.

DIAGNOSIS AND TESTING

MIRROR SWITCH TEST

(1) Remove power mirror switch from mounting position. Refer to Mirror Switch Removal and Installation in this section.

(2) Using an ohmmeter, test for continuity between the terminals of the switch as shown in the Mirror Switch Continuity table.

(3) If test results are not obtained as shown in the Mirror Switch Continuity table, replace the switch.

Refer to Group 8W-Wiring Diagrams for Connector Pin-Outs and Circuit Diagrams.



DIAGNOSIS AND TESTING (Continued)

MIRROR SWITCH CONTINUITY

SWITCH POSITION	CONTINUITY BETWEEN	CONTINUITY BETWEEN
	MIRROR IN L POSITION	MIRROR IN R POSITION
UP	PIN 4 & 5 PIN 4 & 8 PIN 5 & 8 PIN 6 & 9 PIN 6 & 10 PIN 7 & 9 PIN 7 & 10 PIN 9 & 10	PIN 1 & 9 PIN 1 & 10 PIN 4 & 5 PIN 9 & 10
RIGHT	PIN 4 & 5 PIN 4 & 7 PIN 5 & 7 PIN 8 & 9 PIN 8 & 10 PIN 9 & 10	PIN 2 & 4 PIN 2 & 5 PIN 4 & 5 PIN 8 & 9 PIN 8 & 10 PIN 9 & 10
DOWN	PIN 4 & 5 PIN 4 & 6 PIN 5 & 6 PIN 8 & 9 PIN 8 & 10 PIN 9 & 10	PIN 1 & 4 PIN 1 & 5 PIN 4 & 5 PIN 9 & 10
LEFT	PIN 4 & 5 PIN 4 & 8 PIN 5 & 8 PIN 7 & 9 PIN 7 & 10 PIN 9 & 10	PIN 2 & 9 PIN 2 & 10 PIN 4 & 5 PIN 4 & 8 PIN 5 & 8 PIN 9 & 10

POWER MIRROR MOTOR

(1) Remove front door trim panel. Refer to Group 23-Front Door Trim Panel Removal and Installation.

(2) Disconnect wire connector.

(3) Use two jumper wires. One connected to a 12 volt source, and the other to a good body ground.

(4) Apply the grounded jumper wire to pin 3 of the mirror connector, and then start with pin 2 (horizontal movement), pin 5, and then pin 1 for the heated mirror.

(5) If test results are not obtained as expected, check for an open or shorted circuit, or replace mirror assembly as necessary.

Refer to Group 8W-Wiring Diagrams for Connector Pin-Outs and Circuit Diagrams.

REMOVAL AND INSTALLATION**INSIDE MIRROR/READING LAMPS ASSEMBLY****REMOVAL**

(1) Disconnect and isolate the battery negative cable (Fig. 1).

(2) Disconnect wiring connector.

(3) Loosen mirror set screw (Fig. 2).

(4) Lift mirror from mounting button.

INSTALLATION

For installation, reverse the above procedure. Ensure the mirror is fully locked into place.

REMOVAL AND INSTALLATION (Continued)

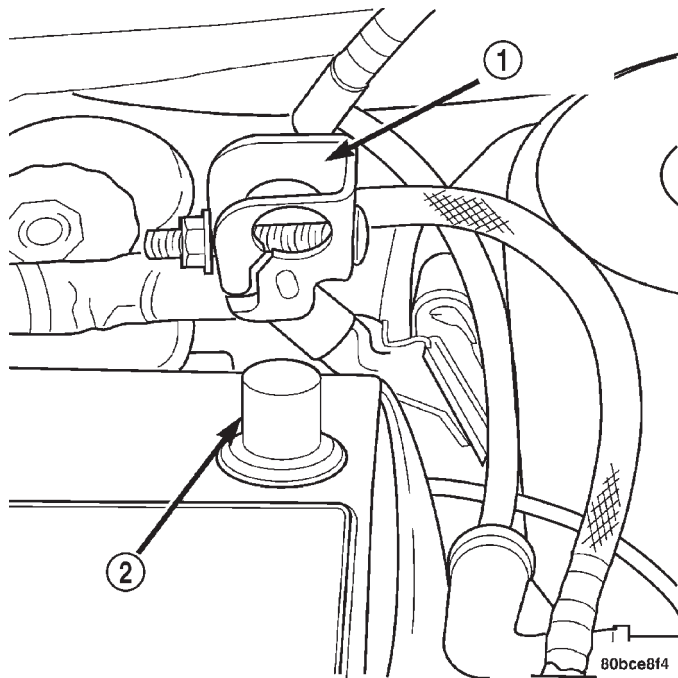


Fig. 1 Battery Negative Cable Remove/Install

- 1 - NEGATIVE CABLE
- 2 - NEGATIVE BATTERY POST

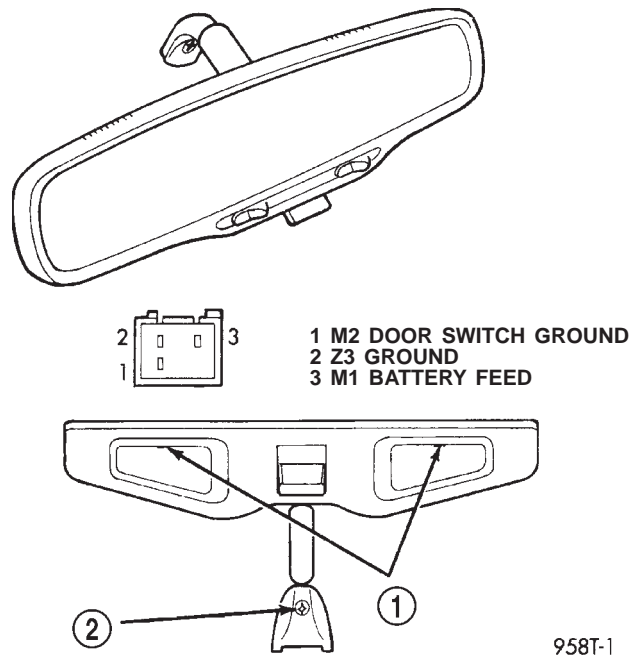


Fig. 2 Mirror/Reading Lamps

- 1 - PRY OFF LENS
- 2 - SET SCREW

INSIDE MIRROR/READING LAMPS BULB/LENS

REMOVAL

- (1) Using a small thin blade tool, pry at the center of the lens nearest the mirror to remove lens (Fig. 2).
- (2) Remove cartridge lamp and replace if necessary.

INSTALLATION

Install lens by setting lens into position and applying pressure until it is locked into position.

MIRROR SWITCH

REMOVAL

- (1) Disconnect and isolate the battery negative cable (Fig. 1).

- (2) Using a trim stick (special tool #C-4755) or equivalent, gently pry up on window switch bezel and remove from door trim panel.
- (3) Disconnect wire connector from switch.
- (4) Remove two switch retaining screws.

INSTALLATION

For installation, reverse the above procedures.

POWER MIRROR ASSEMBLY

Refer to Group 23-Body, Side View Mirror Removal and Installation.

