

2002 DODGE-CHRYSLER NEON (PL)

PARTS CATALOG

ILLUSTRATION AND TEXT
(CHASSIS - BODY - TRIM)

April 2002

SUPERSEDES
March 2002
ENGLISH



Jeep

CHRYSLER • PLYMOUTH • DODGE • JEEP

THE MOPAR DIFFERENCE

INDEX TO INFORMATION PAGES

The use of this Parts Catalog and the arrangement of information herein is explained in the General Information Section as indexed below.

Abbreviations	INF-12
Alphabetic Index	INF-9
Body Code Plate Interpretation	INF-11
Catalog Groups - Titles & Contents	INF-2
How to Use This Catalog and Locate Parts	INF-7
Illustration Index	INF-9
Illustration Numbering Index	INF-8
Index.....	INF-1
Logical Illustration Index.....	INF-3
Logical Illustrations	INF-8
Numerical Index	INF-9
Page Numbering.....	INF-8
Part Packages	INF-9
Standard Parts.....	INF-9
Symbols Used in this Catalog.....	INF-8
VIN Plate Decoding Information	INF-10

CATALOG GROUPS - TITLES & CONTENT

Group	Content
001	Component Parts for Mopar Accessories
002	Front Suspension & Drive
004	Parking Brake
005	Service Brakes
006	Clutch
007	Cooling
008	Electrical
009	Engine Mounting
011	Exhaust
013	Frames and Bumpers
014	Fuel
017	Rear Suspension
019	Steering
022	Wheels, Covers and Jacks
024	Air Conditioning & Heater
025	Emission Systems
08A	Instrument Panel and Radios and Consoles
1.6L	Engine 1.6L Four Cylinder
2.0L	Engine 2.0L Four Cylinder
21P	Speedometer Pinions
23D	Wiper/Lock Cylinder and Keys
41TE-AE	Automatic Transaxle 4 Speed
A578	Manual Transaxle 5 Speed
DPL	Doors and Related Parts
EPL	Exterior Ornamentation
IPL	Interior Trim
SPL	Body Sheet Metal Except Doors

LOGICAL ILLUSTRATION INDEX

Group	Logical Illustration	Logical Illustration Name
001	100	Audio & Electronics
001	200	Carriers & Cargo Hauling
001	300	Driving Convenience
001	600	Fog Lights & Electrical
001	900	Security
002	100	Front Suspension
002	200	Front Axle Drive Shafts
004	100	Parking Brake Lever and Cables
005	100	Front Brakes
005	200	Rear Brakes
005	300	Power Brake Booster
005	400	Brake Master Cylinder
005	500	Brake Lines and Hoses
005	600	Brake Pedals
006	100	Clutch
006	200	Clutch Housing
006	300	Clutch Controls
006	400	Clutch Pedals
007	100	Radiator and Related Parts
007	200	Water Pump and Related Parts
007	300	Tank, Coolant Engine
007	400	Pulleys and Related Parts
007	500	Drive Belts
007	600	Lines, Transmission Oil Cooler
007	700	Grilles
008	100	Starters
008	1000	Battery Tray and Cables
008	1100	Lamps - Front, Rear and Courtesy
008	1200	Wiring-Engine & Related Parts
008	1300	Wiring-Headlamp to Dash
008	1400	Wiring-Instrument Panel
008	1500	Wiring-Body & Accessories
008	1600	Wiring Repair

008	1900	Spark Plugs-Cables-Coils
008	200	Alternators
008	400	Modules
008	500	Relays
008	600	Sensors
008	700	Single Board Engine Controllers
008	800	Switches
008	900	Horns
009	100	Engine Mounting
011	100	Exhaust System
011	200	Heat Shields
013	100	Frames
013	200	Front Bumper and Fascia
013	300	Rear Bumper and Fascia
014	100	Tank, Fuel
014	1000	Speed Control
014	1100	Accelerator Pedal
014	200	Fuel Tank Filler Tube
014	300	Fuel Lines
014	400	Fuel Rail
014	500	Fuel Pump and Sending Unit
014	600	Throttle Body
014	700	Throttle Controls
014	800	Air Cleaner
014	900	Air Intake System
017	100	Rear Suspension
019	100	Steering Wheel
019	200	Steering Column
019	300	Steering Gear
019	500	Power Steering Pump
019	700	Power Steering Hoses
022	100	Wheels and Hardware
022	200	Wheel Covers and Center Caps
022	300	Jack Stowage
024	100	Air Conditioner and Heater Units
024	200	Air Conditioner and Heater Plumbing

024	300	Air Conditioner and Heater Controls
024	400	Air Conditioning Compressor
024	500	Air Conditioning Compressor Mounting
024	600	Air Ducts and Outlets
025	100	Emission Labels
025	300	Vacuum Canister
025	400	Emission Harness
08A	100	Instrument Panel
08A	200	Instrument Panel Cluster
08A	300	Radio, Antenna, and Speakers
08A	400	Consoles
1.6L	100	Engine Identification
1.6L	200	Cylinder Head
1.6L	300	Cylinder Block
1.6L	400	Crankshaft, Piston and Drive Plate
1.6L	500	Camshafts & Valve
1.6L	600	Timing Belt/Chain and Cover
1.6L	700	Engine Oiling
1.6L	800	Manifolds
1.6L	900	Crankcase Ventilation
2.0L	100	Engine Identification
2.0L	200	Cylinder Head
2.0L	300	Cylinder Block
2.0L	400	Crankshaft, Piston, and Drive Plate
2.0L	500	Camshafts and Valves
2.0L	600	Timing Belt and Cover
2.0L	700	Engine Oiling
2.0L	800	Manifolds
2.0L	900	Crankcase Ventilation
21P	100	Speedometer Pinions
23D	100	Lock Cylinders and Keys
23D	200	Windshield Wiper and Washer Systems
41TE-AE	100	Transaxle Assembly
41TE-AE	1200	Gearshift Controls
41TE-AE	200	Case and Extension
41TE-AE	300	Oil Pump

41TE-AE	400	Gear Train
41TE-AE	700	Valve Body
41TE-AE	800	Differential
A578	100	Transaxle Assembly
A578	1200	Gearshift Controls
A578	200	Case and Extension
A578	400	Gear Train
A578	800	Differential
A578	900	Fork and Rails
DPL	100	Front Door
DPL	200	Rear Door
DPL	500	Exterior Mirror
DPL	600	Weatherstrips and Seals
EPL	100	Nameplates
EPL	200	Moldings and Ornamentation
IPL	100	Headliner and Visor
IPL	200	Panel, Moldings, Scuff Plates
IPL	300	Carpet
IPL	400	Door Trim Panels
IPL	500	Front Seats and Attaching Parts
IPL	600	Rear Seats-Folding
IPL	700	Seat Belts-Front and Rear
IPL	800	Adjusters, Covers, Shields, and Risers
SPL	1100	Roof Panels
SPL	1200	Sunroof
SPL	1300	Deck Lic
SPL	1400	Rear Shelf Panel
SPL	200	Floor Pans
SPL	300	Plugs
SPL	400	Front Fenders
SPL	500	Hood and Hood Release
SPL	600	Cowl and Dash Panel
SPL	700	Glass and Mirror
SPL	800	Aperture Panel
SPL	900	Quarter Panel

HOW TO USE THIS CATALOG AND LOCATE PARTS

This Catalog is divided into Part Groups in which illustrations for parts of a similar function and/or location are published. The Group contents listing on the next page shows the type of parts contained in each group. Tabs are provided or available to separate each group.

Several methods may be used to locate a specific part:

Option 1: From the Group Contents listing. Select the group which would most logically contain the part to be found. Open the catalog to the beginning of that group. The first page of the group will contain the part. Turn to the selected illustration and locate the part by reviewing the illustration item numbers and associated text information following the illustration.

Option 2: If the "noun" name of the part you seek is known, an alphabetical index of Nouns and illustration titles is provided to assist in finding the part. Several keys may be found in this index.

RESERVOIR, Power Steering Oil Pump Group 19	Group Reference
ALTERNATOR All Engines 8-210	Illustration Reference
BELT, Front Seat Imdl/710/3	Illustration/Item Reference

Group by Model _____
Illustration Number _____
Item _____

Option 3: If the part number is known but the applications need to be determined, refer to the numerical index. This index shows the group, illustration number and each part listed in the catalog. Multiple references mean the part is listed more than once.

Option 4: Other options such as group identifiers exist in these catalogs. For Example, Group 23 Body has been broken in sections, i.e. 23A Sheet Metal now is S(model code). Example: SGS for model GS. Group 23C Doors now is D(model code) ex. DGS. Group 23 Exterior Ornamentation now is E(model code). This same logic applies to the Interior Trim Section (ex. IGS).

The Group 9 Engine sections in prior parts catalogs had been numbered 9A, 9B, 9C, etc. There was no real meaning to this numbering scheme. In this new MACS produced catalog the group numbering scheme is as follows: 2.5LD means 2.5 Liter Diesel Engine; 2.0L means 2.0 Liter Four Cylinder Gas Engine; 3.3L6T means 3.3 Liter Six Cylinder Transverse Mounted Engine; and 3.8L means 3.8 Liter Six Cylinder Engine. Also note that Engine Mounting parts are located in Group 9.

PAGE NUMBERING

Two-part page numbers are used throughout this catalog. The first part of the page designation indicates one major group or section. The second part indicates the actual page number in the group. For example:

2-1 indicates Group 2, Front Suspension, Page 1

3-4 indicates Group 3, Axle Rear, Page 4

In the maintenance of the Loose Leaf Parts Catalog Revision Service, it may become necessary to add information beyond the capacity of the page. In this event, an "A" page will be used. For example, if it becomes necessary, because of change, to add several part numbers to page 2-1 and space does not permit the addition, you will be given Page 2-1A. Page 2-1A should be filed immediately following Page 2-1.

Figure and Item Numbers are also commonly used to identify locations in the Catalog, ie., 14-910/8 refers to Group 14, illustration 910, Item Number 8. Illustration Numbers are always ascending sequential within the Groups.

SYMBOLS USED IN THIS CATALOG

The Following symbols are commonly used with Part Number and Quantity information in this Catalog:

AR - Indicates the quantity required may vary or is to be determined by the user.

PAR - Indicates "Paint As Required"

BLANK - Indicates "All Condition

- = "Not Illustrated"

LOGICAL ILLUSTRATIONS

Refer to Illustration in front of each group. This will give assistance to as how each group is broken down and what Specific Illustration should be referenced.

ILLUSTRATION NUMBERING INDEX

Illustration numbers in this Catalog are Group standards. This indicates group and consistent content. EXAMPLE: 8-100 is a Logical Illustration for Starters. 8-101 to 8-199 are Specific Illustrations used for Starters for all Catalogs. 8-200 will contain Alternators for all Catalogs and so on. Always refer to group index in front of each group.

ILLUSTRATION INDEX

This index is a compilation of catalog parts description data with reference to illustrations, figures and key numbers as shown:

Fender ie; Model.....Group: S(Model)Illustration 410
(Fender is located in Sheet Metal Section (S) in Illustration 410)

The first page of each group contains a listing of all illustrations and group breakdown within that group. Also refer to illustrations alphabetically listed in information section.

ALPHABETIC INDEX

This index is a compilation of catalog parts description data with a reference to the location of the item by Group, Figure, and Key Number as shown in the following example:

Housing, w/Pump.....Group 7 Illustration 210 Item 10
(Housing, w/Pump.....7-210/10)

The index will be expanded progressively as data is added to computer files. To locate a part by name refer to the Alphabetical Index. This index indicates the group and illustration and item number where the part is located. Alphabetical Index can be found in INF section of this Catalog.

NUMERICAL INDEX

A listing of Part Numbers contained in the catalog. The numbers are in numerical sequence with reference to the group and Illustration and item number where the part is located.

PARTS PACKAGES

Service Parts Packages, containing all parts needed for specific service operation, are listed in their respective groups with related parts. The listing will show adaptability and model application.

STANDARD PARTS

Important attaching standard parts such as bolts, nuts, etc, are generally listed in the text of the respective major parts groups.

VIN PLATE DECODING INFORMATION

1	2	3	4	5	6	7	8	9	10	11	12 thru 17
Country	Make	Vehicle Type	Other	Line	Series	Body Style	Engine	Check Digit	Model Year	Assy. Plant	Sequence No.

The following table interprets the VIN Plate positions shown above.

Position	Interpretation	Codes = Description
1	Country of Origin	1 = Built in US by DaimlerChrysler Corporation
2	Make	B = Dodge C = Chrysler
3	Vehicle type	3 = Passenger Car
4	Passenger Safety	A = Restraint System Active Front & Side Air Bags (CGS) B = Restraint System Manual/Active Uni-belt (CGA) D = Restraint System w/o Air Bags (CGJ) E = Restraint System Active Driver & Passenger Air Bags (CGW)
5	Vehicle Line	S = Neon
6	Series	2 = SE (C -L41 Canada) 4 = LE (C -H41Canada) ; SE (BUX W/O ABB)
7	Body Style	6 = 4 Door Sedan
8	Engine	C = 2.0L 4 Cyl. 16V SOHC (ECB) F = 2.0L 4 Cyl. 16V HP (ECH) P = 1.6L 4 Cyl. 16V SOHC (EJD)
9	Check Digit	
10	Model Year	2 = 2002
11	Assembly Plant	D = Belvidere
12 thru 17	Vehicle Build Sequence	Model Year Assembly Sequence

BODY CODE PLATE INTERPRETATION

The Body Code Plate is located on the Left Front Side Shield or Wheel Housing or the Upper Radiator Support. The Plate contains 7 rows of data. The bottom 3 rows are reserved for the specific information as depicted below. Starting at the fourth row (following the reserved portion), other Sales Codes used to build a specific vehicle are listed in the ascending order by ALPHA sequence.

1	2	3	4	5	6	7	8	9	10	11	12	13	14	15	16	17	18	19	20	21		
22	23	24		25	26	27	28		29	30	31	32		33	34	35	36		37	38	39	
40	41	42		43		44	45	46	47	48	49	50	51	52	53	54	55	56	57	58	59	60

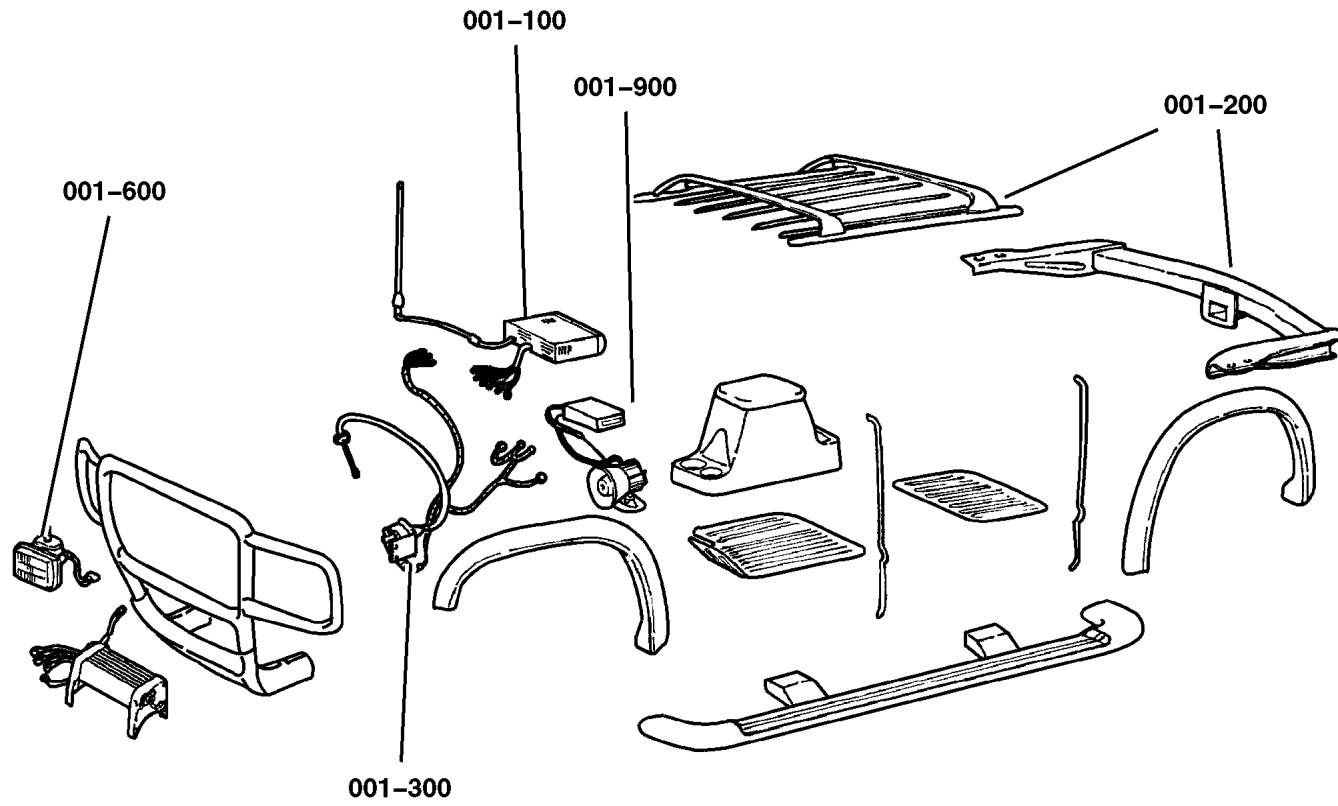
1-12	VEHICLE ORDER NUMBER
13-15	VINYL ROOF CODE/DOOR COMBO CODES
16-18	VEHICLE SHELL CAR LINE
19	PRICE CLASS
20-21	BODY TYPE
22-24	PAINT PROCEDURE
25-28	PRIMARY PAINT
29-32	SECONDARY PAINT
33-36	INTERIOR TRIM CODE
37-39	ENGINE CODES
40-42	TRANSMISSION CODES
43	MARKET CODES
44-46	VEHICLE IDENTIFICATION NUMBER (VIN) For definition of the Elements and the individual position see Vin Plate Defined.

ABBREVIATIONS

A/C	Air Conditioner
ABS	Anti-Lock Brakes System
AR	As Required
ATC	Automatic Temperature Control
AWD	All Wheel Drive
BUX	Built Up Export
CV	Constant Velocity
DOHC	Dual (or Double) OverHead Cam
EFI	Electronic Fuel Injection
EGR	Exhaust Gas Recirculation
ECU	Electronic Control Unit
FWD	Front Wheel Drive
HEX	HEXagon
HCU	Hydraulic Control Unit
I/D	Inside Diameter
L	Liter
LED	Light Emitting Diode
MAP	Manifold Absolute Pressure
MPH	Miles Per Hour
O/D	Outside Diameter
P/S	Power Steering
PSI	Pounds per Square Inch
PSF	Pounds per Square Foot
PRNODL	Park, Reverse, Neutral, Overdrive, Drive, Low
PRNDL	Park, Reverse, Neutral, Drive, Low
PTO	Power Take Off
RFI	Radio Frequency Interference
RPM	Revolutions Per Minute
RTV	Room Temperature Vulcanizer (sealant)
T/BODY	Throttle BODY
U/BODY	Under BODY
SOHC	Single OverHead Cam
PAR	Paint As Required

Group - 001

Component Parts for Mopar Accessories



GROUP 1 - Component Parts for Mopar Accessories

Illustration Title

Group-Fig. No.

Audio & Electronics

Player Kit - CD Player - 4 Disc Fig. 001-110

Carriers & Cargo Hauling

Roof Rack - Removable Fig. 001-205

Bike Carrier - Hitch Mount Fig. 001-210

Bike Carrier - Roof Mount Fork Mount Fig. 001-212

Bike Carrier - Roof Mount Upright Fig. 001-214

Ski Carrier - Hitch Mount Fig. 001-220

Carrier Kit - Ski (Two Pair) Roof Mount Fig. 001-222

Carrier Kit - Ski (Six Pair) Fig. 001-226

Carrier Kit - Watersports Fig. 001-232

Trailer Tow Fig. 001-240

Wiring Package - Trailer Tow Fig. 001-290

Driving Convenience

Speed Control Package Fig. 001-310

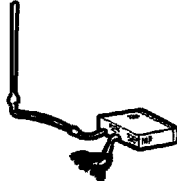
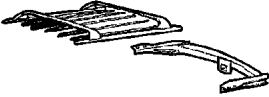

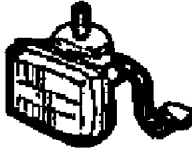

Mounting Kit - Cell Phone Fig. 001-330

Fog Lights & Electrical

Fog Lamps Fig. 001-612

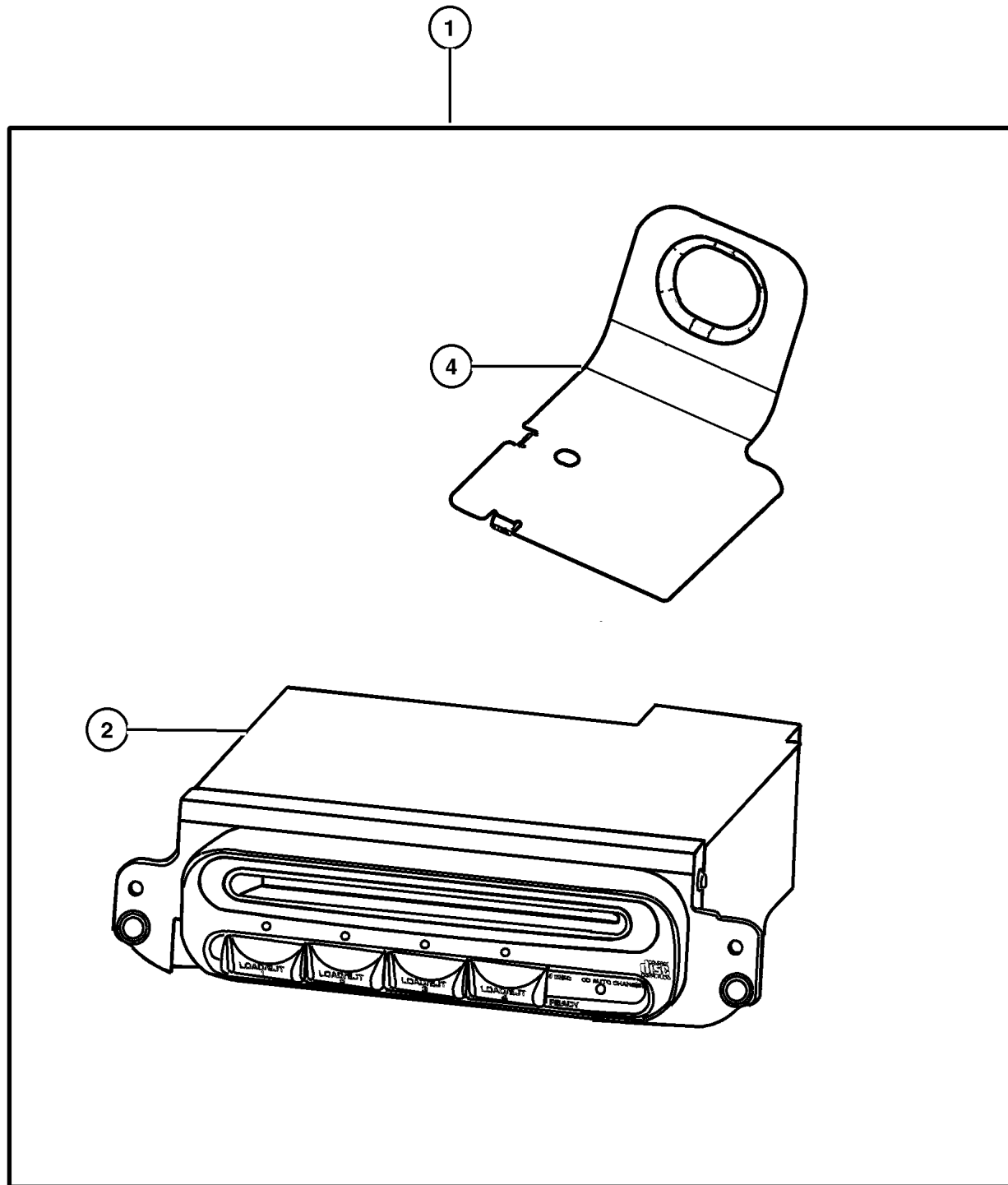
Security

Alarm EVS Base System Fig. 001-910

<p>001-100 Audio & Electronics</p> 	<p>001-200 Carriers & Cargo Hauling</p> 	<p>001-300 Driving Convenience</p> 	<p>001-600 Fog Lights & Electrical</p> 
<p>001-900 Security</p> 			

**Player Kit - CD Player - 4 Disc
Figure 001-110**

ITEM	PART NUMBER	QTY	LINE	BODY	DESCRIPTION
1	#8220 7505	1			PLAYER PACKAGE, CD Changer - 4 Disc
2					CHANGER, CD, Serviced in package only, (NOT SERVICED)
-3	#4671 841AA	1			WIRING, Compact Disc Changer
4	5291 370AA	1	C, D		BRACKET, Instrument Panel
-5	6032 723	2			SCREW, Self Tapping, M4.2x1.69x19.05



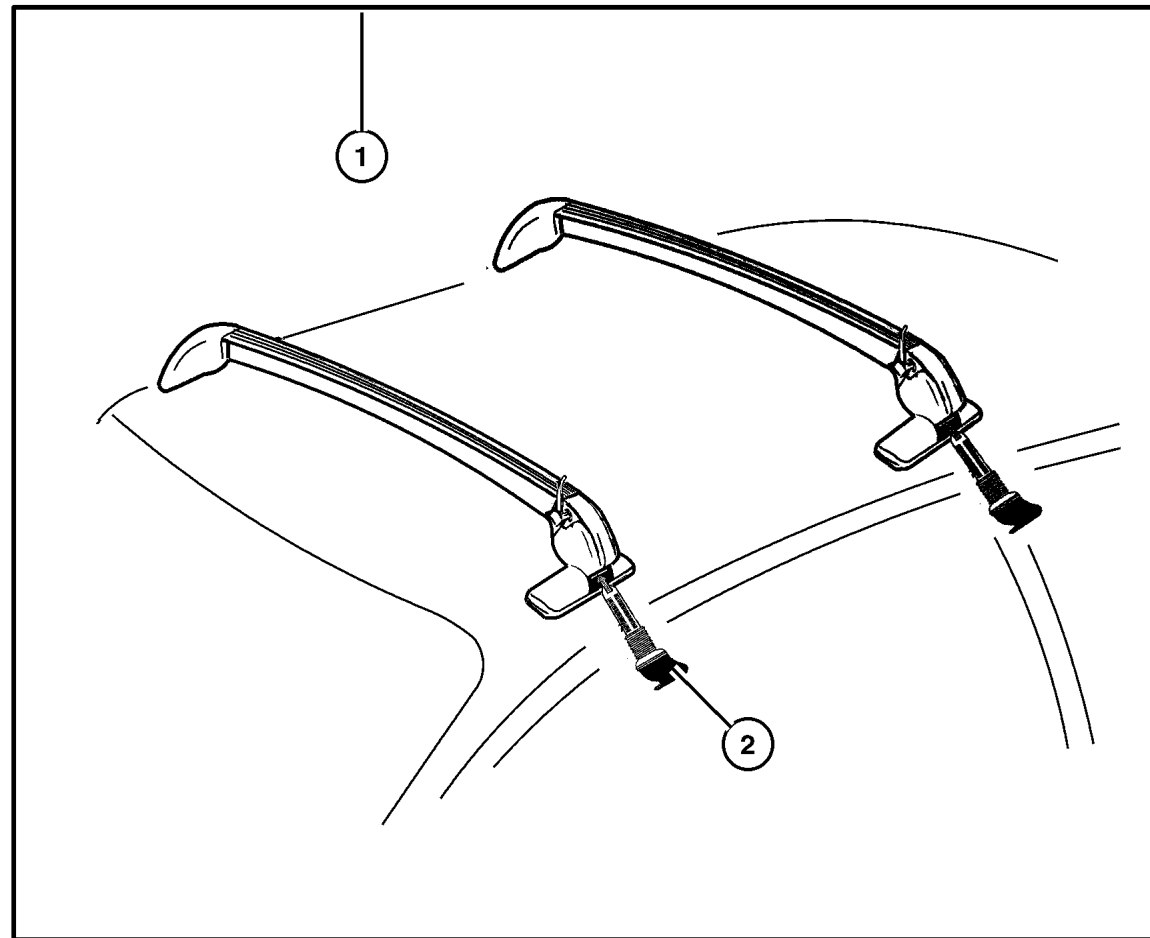
DODGE - CHRYSLER NEON (PL)				
SERIES	LINE	BODY	ENGINE	TRANSMISSION
L=Low Line	Z= Chrysler, RHD	41 = 4 Door,	ECB = 2.0L 4 Cyl. , 16V SMPI	DD5 = 5 Speed Manual
H=High Line	D= Dodge	104WB	ECH = 2.0L 4 Cyl, 16V SOHC	DGL = 4 Speed Automatic
S = Special	C= Chrysler		EJD, EJO = 1.6L 4 Cyl 16v, SOHC	DG0 = All Automatics
P = Premium				DBB = All 5 Speed Manual
X = R/T				

AR = Use as required - = Non illustrated part # = New this model year

April 9, 2002

**Roof Rack - Removable
Figure 001-205**

ITEM	PART NUMBER	QTY	LINE	BODY	DESCRIPTION
1	8220 5697	1		41	RACK KIT, Multipurpose
2	5019 509AA	1			STRAP, Roof Rack



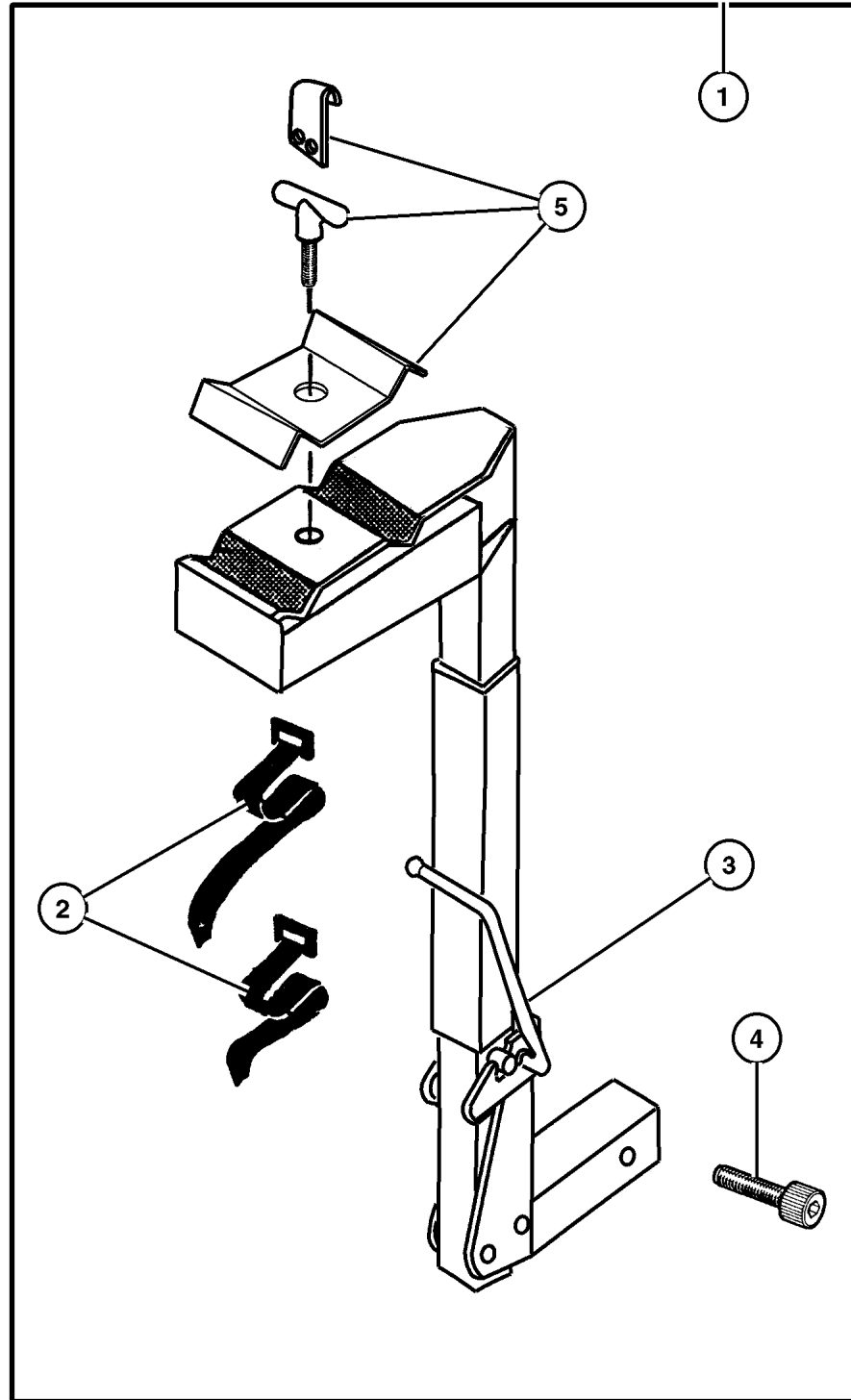
DODGE - CHRYSLER NEON (PL)

SERIES	LINE	BODY	ENGINE	TRANSMISSION
L=Low Line	Z= Chrysler, RHD	41 = 4 Door,	ECB = 2.0L 4 Cyl. , 16V SMPI	DD5 = 5 Speed Manual
H=High Line	D= Dodge	104WB	ECH = 2.0L 4 Cyl, 16V SOHC	DGL = 4 Speed Automatic
S = Special	C= Chrysler		EJD, EJ0 = 1.6L 4 Cyl 16v, SOHC	DG0 = All Automatics
P = Premium				DBB = All 5 Speed Manual
X = R/T				

AR = Use as required - = Non illustrated part # = New this model year

April 9, 2002

Bike Carrier - Hitch Mount
Figure 001-210



ITEM	PART NUMBER	QTY	LINE	BODY	DESCRIPTION
------	-------------	-----	------	------	-------------

NOTE: Folds down for access to rear deck, has anti theft bolts.

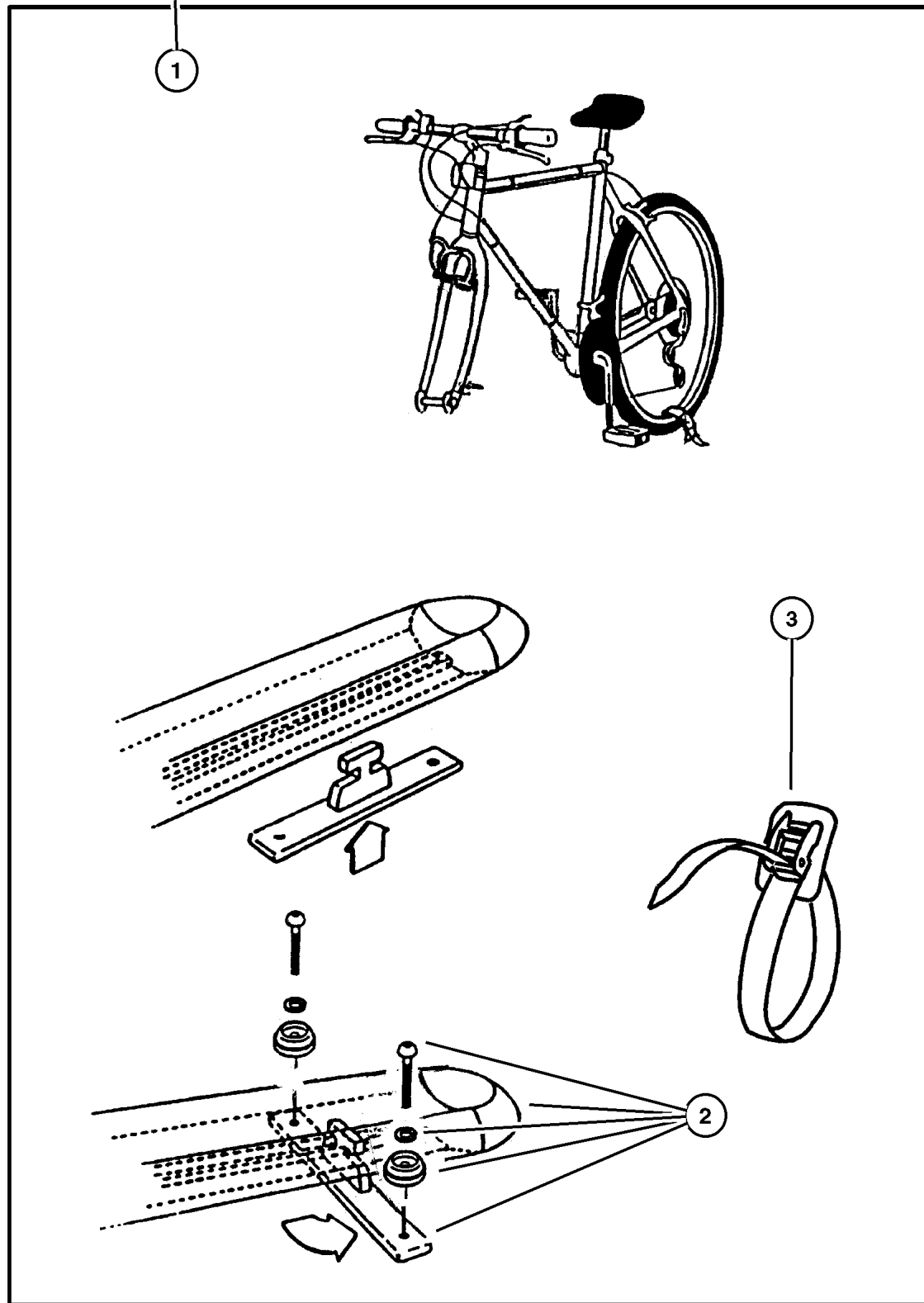
1	8220 4452	1	D, P	41	CARRIER KIT, Bike
2	4762 880	1	D, P	41	STRAP KIT, Velcro, Contains: 1-Long and 1-Short Strap
3	5016 775AA	1	D, P	41	STRAP KIT, Bike Carrier Latch, Contains: 2-Rubber Straps
4	5016 774AA	1	D, P	41	BOLT KIT, Security, Contains: 1-Security Bolt, 1-Wrench, 1-Washer and Nut
5	5018 825AA	1	D, P	41	HARDWARE KIT, Bike Carrier, Contains: T-Handle, Top Clamp and Nylon Washer

DODGE - CHRYSLER NEON (PL)				
SERIES	LINE	BODY	ENGINE	TRANSMISSION
L=Low Line	Z= Chrysler, RHD	41 = 4 Door,	ECB = 2.0L 4 Cyl. , 16V SMPI	DD5 = 5 Speed Manual
H=High Line	D= Dodge	104WB	ECH = 2.0L 4 Cyl, 16V SOHC	DGL = 4 Speed Automatic
S = Special	C= Chrysler		EJD, EJ0 = 1.6L 4 Cyl 16v, SOHC	DG0 = All Automatics
P = Premium				DBB = All 5 Speed Manual
X = R/T				

AR = Use as required - = Non illustrated part # = New this model year

April 9, 2002

**Bike Carrier - Roof Mount Fork Mount
Figure 001-212**



ITEM	PART NUMBER	QTY	LINE	BODY	DESCRIPTION
------	-------------	-----	------	------	-------------

NOTE: Hardware Kit also contained in Carrier Kit.

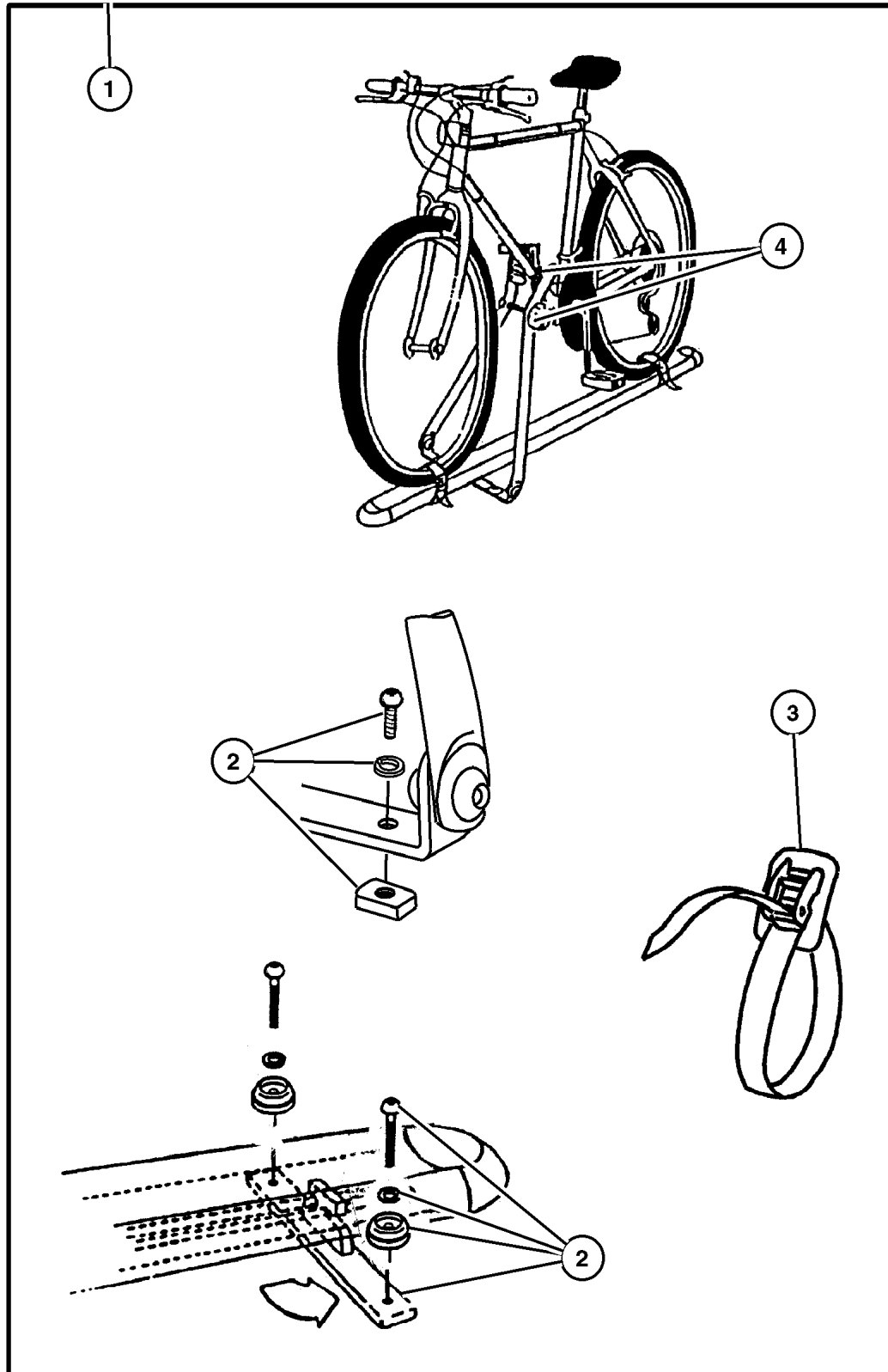
1	8230 0585	1	D, P	41	CARRIER KIT, Bike, Fork - Mount
2	5093 779AA	1	D, P	41	HARDWARE KIT, Accessory, Contains: 2-T-Slot Anchors, 1-Rear T-Slot Bar, 4-Button Head Screws, 2-Lock Washers and 4-Dome Washers
3	5016 513AA	1	D, P	41	STRAP, Cargo Tie Down, Contains: 2-Straps
-4	5066 632AA	1	D, P	41	TOOL, Screw Driver

DODGE - CHRYSLER NEON (PL)				
SERIES	LINE	BODY	ENGINE	TRANSMISSION
L=Low Line	Z= Chrysler, RHD	41 = 4 Door,	ECB = 2.0L 4 Cyl. , 16V SMPI	DD5 = 5 Speed Manual
H=High Line	D= Dodge	104WB	ECH = 2.0L 4 Cyl, 16V SOHC	DGL = 4 Speed Automatic
S = Special	C= Chrysler		EJD, EJO = 1.6L 4 Cyl 16v, SOHC	DG0 = All Automatics
P = Premium				DBB = All 5 Speed Manual
X = R/T				

AR = Use as required - = Non illustrated part # = New this model year

April 9, 2002

Bike Carrier - Roof Mount Upright
Figure 001-214



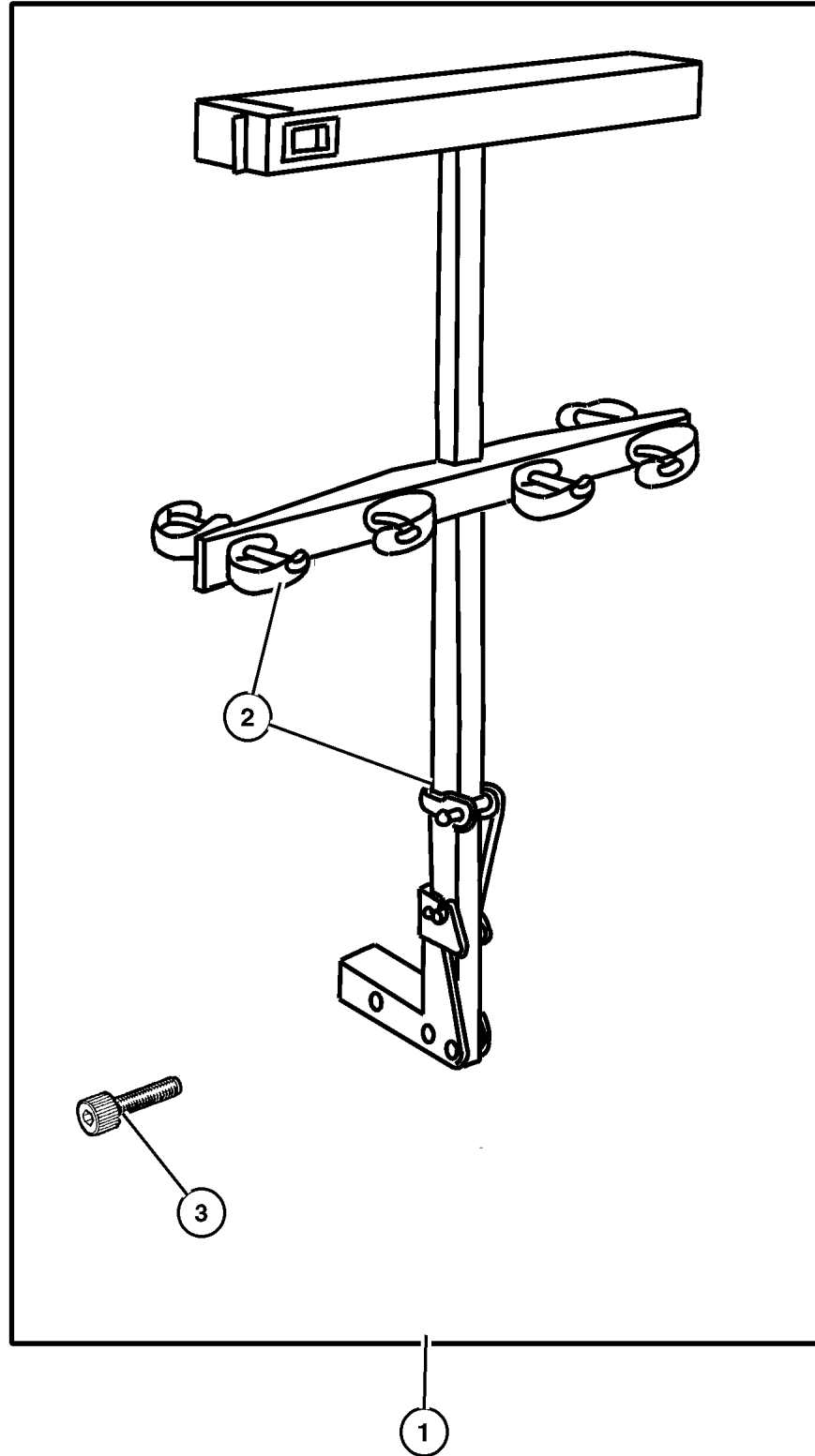
ITEM	PART NUMBER	QTY	LINE	BODY	DESCRIPTION
1	8220 3471	1			CARRIER KIT, Bike, Upright - Mount
2	5093 779AA	1			HARDWARE KIT, Accessory, Contains: 2-T-Slot Anchors, 1-Rear T-Slot Bar, 4-Button Head Screws, 2-Lock Washers and 4-Dome Washers
3	5016 513AA	1			STRAP, Cargo Tie Down
4	5018 194AA	1			HARDWARE KIT, Bike Carrier, --1 CARRIAGE BOLT, CARRIAGE BOLT BUSHING --ADJUSTMENT KNOB 2 ADJUSTMENT KNOB BUSHINGS --BIKE TUBE PAD, 2 BUTTON HEAD SCREW(M6X1.0X30MM)--2 NYLON WASHERS AND SPRING
-5	5066 632AA	1			TOOL, Screw Driver

DODGE - CHRYSLER NEON (PL)				
SERIES	LINE	BODY	ENGINE	TRANSMISSION
L=Low Line	Z= Chrysler, RHD	41 = 4 Door,	ECB = 2.0L 4 Cyl. , 16V SMPI	DD5 = 5 Speed Manual
H=High Line	D= Dodge	104WB	ECH = 2.0L 4 Cyl, 16V SOHC	DGL = 4 Speed Automatic
S = Special	C= Chrysler		EJD, EJ0 = 1.6L 4 Cyl 16v, SOHC	DG0 = All Automatics
P = Premium				DBB = All 5 Speed Manual
X = R/T				

AR = Use as required - = Non illustrated part # = New this model year

April 9, 2002

**Ski Carrier - Hitch Mount
Figure 001-220**



ITEM	PART NUMBER	QTY	LINE	BODY	DESCRIPTION
------	-------------	-----	------	------	-------------

NOTE: For use with a 1.25' Hitch Receiver.

1	8220 4454	1	D, P	41	CARRIER KIT, Ski - 4 Pair
2	5016 775AA	1	D, P	41	STRAP KIT, Bike Carrier Latch
3	5016 774AA	1	D, P	41	BOLT KIT, Security

DODGE - CHRYSLER NEON (PL)				
SERIES	LINE	BODY	ENGINE	TRANSMISSION
L=Low Line	Z= Chrysler, RHD	41 = 4 Door,	ECB = 2.0L 4 Cyl. , 16V SMPI	DD5 = 5 Speed Manual
H=High Line	D= Dodge	104WB	ECH = 2.0L 4 Cyl, 16V SOHC	DGL = 4 Speed Automatic
S = Special	C= Chrysler		EJD, EJO = 1.6L 4 Cyl 16v, SOHC	DG0 = All Automatics
P = Premium				DBB = All 5 Speed Manual
X = R/T				

AR = Use as required - = Non illustrated part # = New this model year

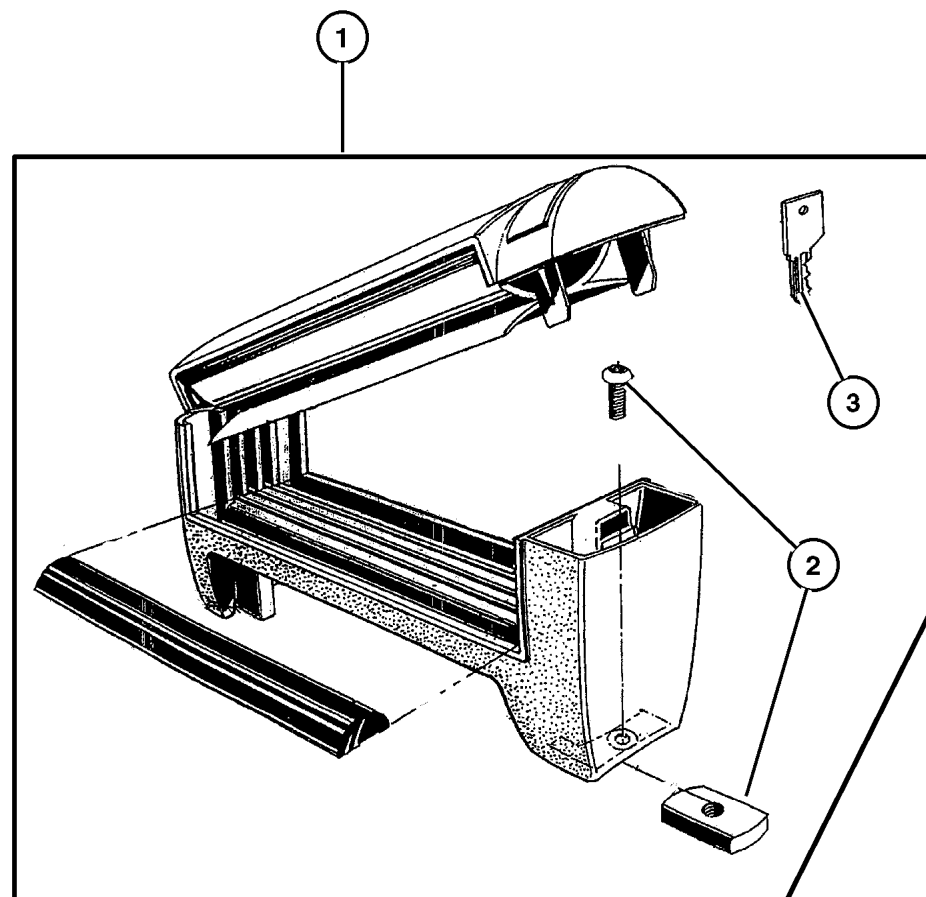
April 9, 2002

**Carrier Kit - Ski (Two Pair) Roof Mount
Figure 001-222**

ITEM	PART NUMBER	QTY	LINE	BODY	DESCRIPTION
------	-------------	-----	------	------	-------------

NOTE: New keys are Vendor Ship Direct.

1	8220 3474	1			CARRIER KIT, Ski - 2 Pair, High Mount
2	5016 389AA	1		41	HARDWARE KIT, Accessory, High Mount
3					KEY, Master, (NOT SERVICED)



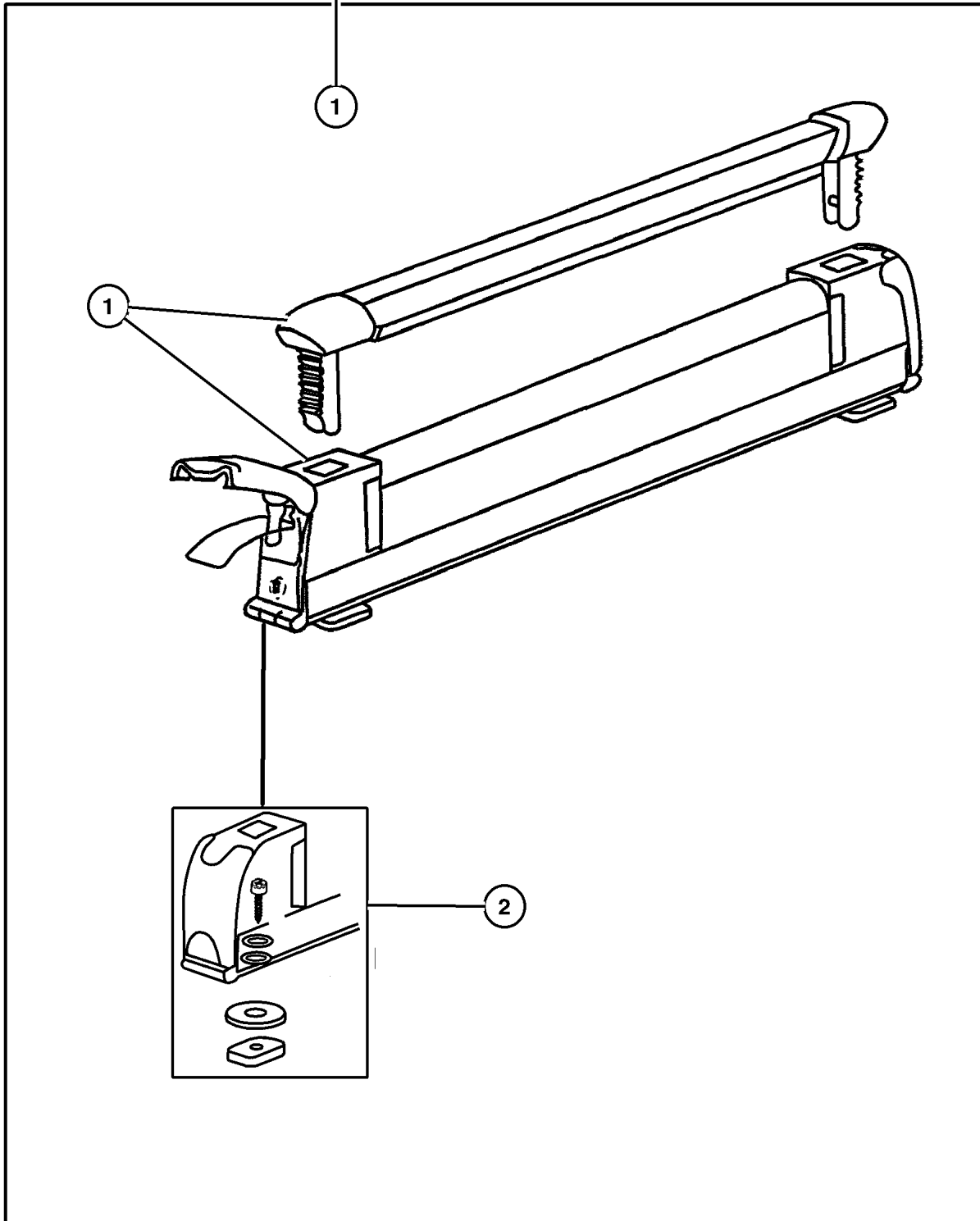
DODGE - CHRYSLER NEON (PL)				
SERIES	LINE	BODY	ENGINE	TRANSMISSION
L=Low Line	Z= Chrysler, RHD	41 = 4 Door,	ECB = 2.0L 4 Cyl. , 16V SMPI	DD5 = 5 Speed Manual
H=High Line	D= Dodge	104WB	ECH = 2.0L 4 Cyl, 16V SOHC	DGL = 4 Speed Automatic
S = Special	C= Chrysler		EJD, EJ0 = 1.6L 4 Cyl 16v, SOHC	DG0 = All Automatics
P = Premium				DBB = All 5 Speed Manual
X = R/T				

AR = Use as required - = Non illustrated part # = New this model year

April 9, 2002

Carrier Kit - Ski (Six Pair)
Figure 001-226

ITEM	PART NUMBER	QTY	LINE	BODY	DESCRIPTION
1	8220 7308	1			CARRIER KIT, Ski
2	5086 158AA	1			HARDWARE KIT, Accessory, Contains: 4 - 25MM Screws, 4 - 20M Screws, 4 - 16MM Screws, 4 - Lock Washers, 4 - Flat Washers, 4 - T Plates, 4 - Rubber Washers



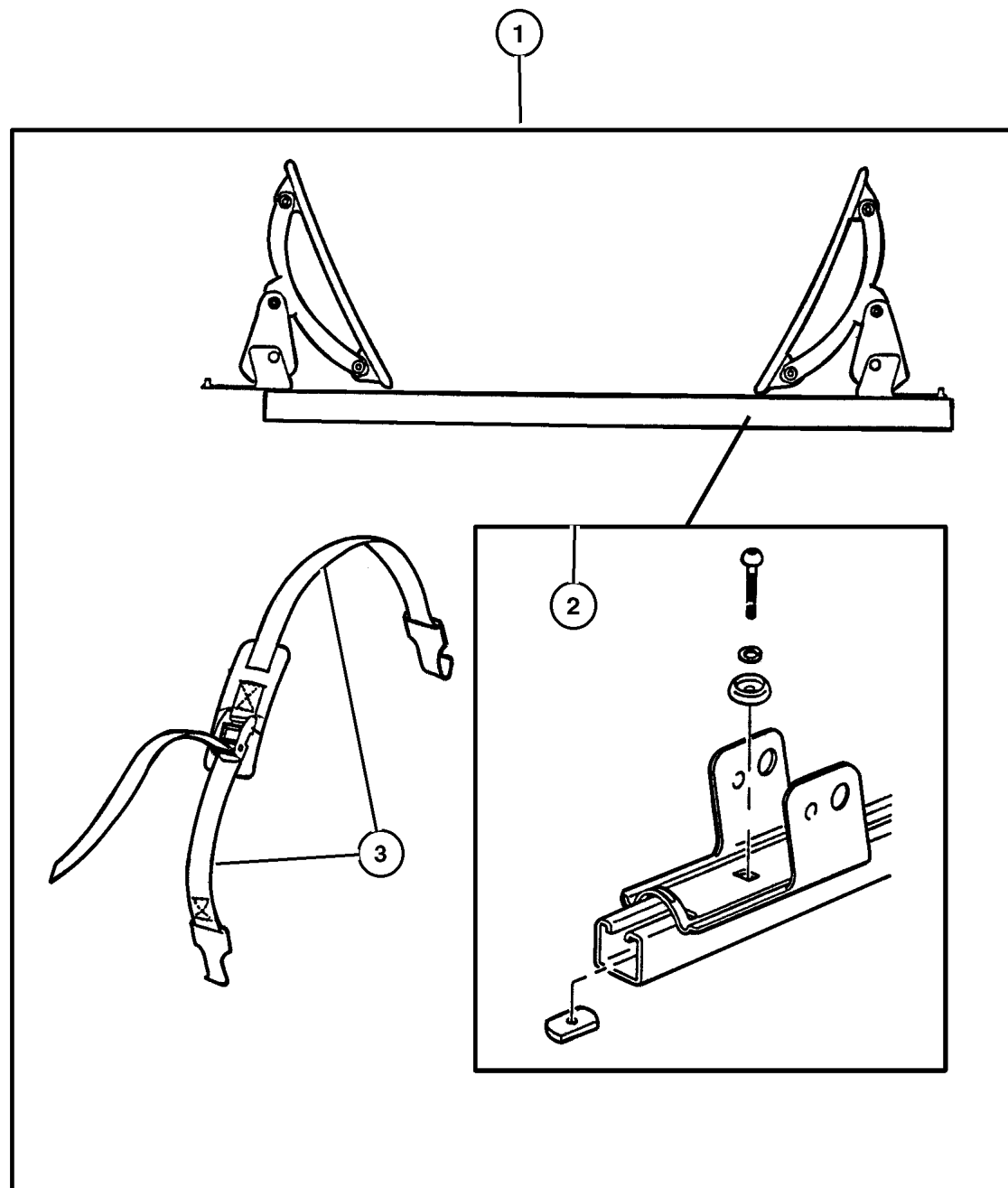
DODGE - CHRYSLER NEON (PL)				
SERIES	LINE	BODY	ENGINE	TRANSMISSION
L=Low Line	Z= Chrysler, RHD	41 = 4 Door,	ECB = 2.0L 4 Cyl. , 16V SMPI	DD5 = 5 Speed Manual
H=High Line	D= Dodge	104WB	ECH = 2.0L 4 Cyl, 16V SOHC	DGL = 4 Speed Automatic
S = Special	C= Chrysler		EJD, EJO = 1.6L 4 Cyl 16v, SOHC	DG0 = All Automatics
P = Premium				DBB = All 5 Speed Manual
X = R/T				

AR = Use as required - = Non illustrated part # = New this model year

April 9, 2002

Carrier Kit - Watersports
Figure 001-232

ITEM	PART NUMBER	QTY	LINE	BODY	DESCRIPTION
1	8220 5416	1		41	CARRIER KIT, Water Sports
2	5016 389AA	1		41	HARDWARE KIT, Accessory
3	5016 511AA	1		41	STRAP, Cargo Tie Down

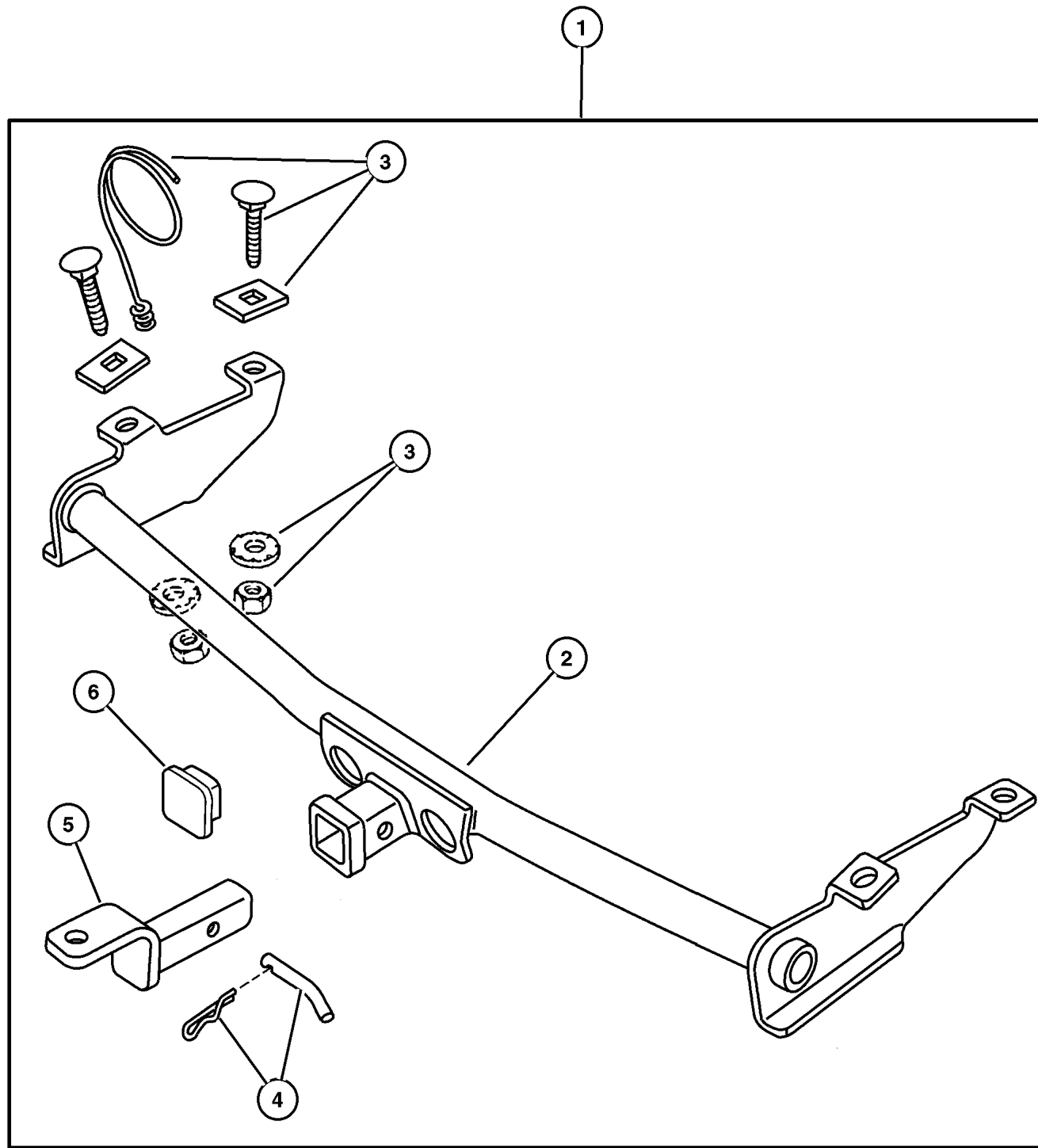


DODGE - CHRYSLER NEON (PL)				
SERIES	LINE	BODY	ENGINE	TRANSMISSION
L=Low Line	Z= Chrysler, RHD	41 = 4 Door,	ECB = 2.0L 4 Cyl. , 16V SMPI	DD5 = 5 Speed Manual
H=High Line	D= Dodge	104WB	ECH = 2.0L 4 Cyl, 16V SOHC	DGL = 4 Speed Automatic
S = Special	C= Chrysler		EJD, EJ0 = 1.6L 4 Cyl 16v, SOHC	DG0 = All Automatics
P = Premium				DBB = All 5 Speed Manual
X = R/T				

AR = Use as required - = Non illustrated part # = New this model year

April 9, 2002

**Trailer Tow
Figure 001-240**



ITEM	PART NUMBER	QTY	LINE	BODY	DESCRIPTION
1	8220 5890	1			RECEIVER KIT, Trailer Tow
2					HITCH, Trailer, (NOT SERVICED)
3	5019 180AA	1			HARDWARE KIT, Hitch
4	5016 666AA	1			PIN, Hitch
5					DRAWBAR, Attachment, Serviced in Kit, (NOT SERVICED)
6					COVER KIT, Trailer Tow, Serviced in Kit, (NOT SERVICED)
-7	8220 5158	1	D, P	41	WIRING PACKAGE, Trailer Tow

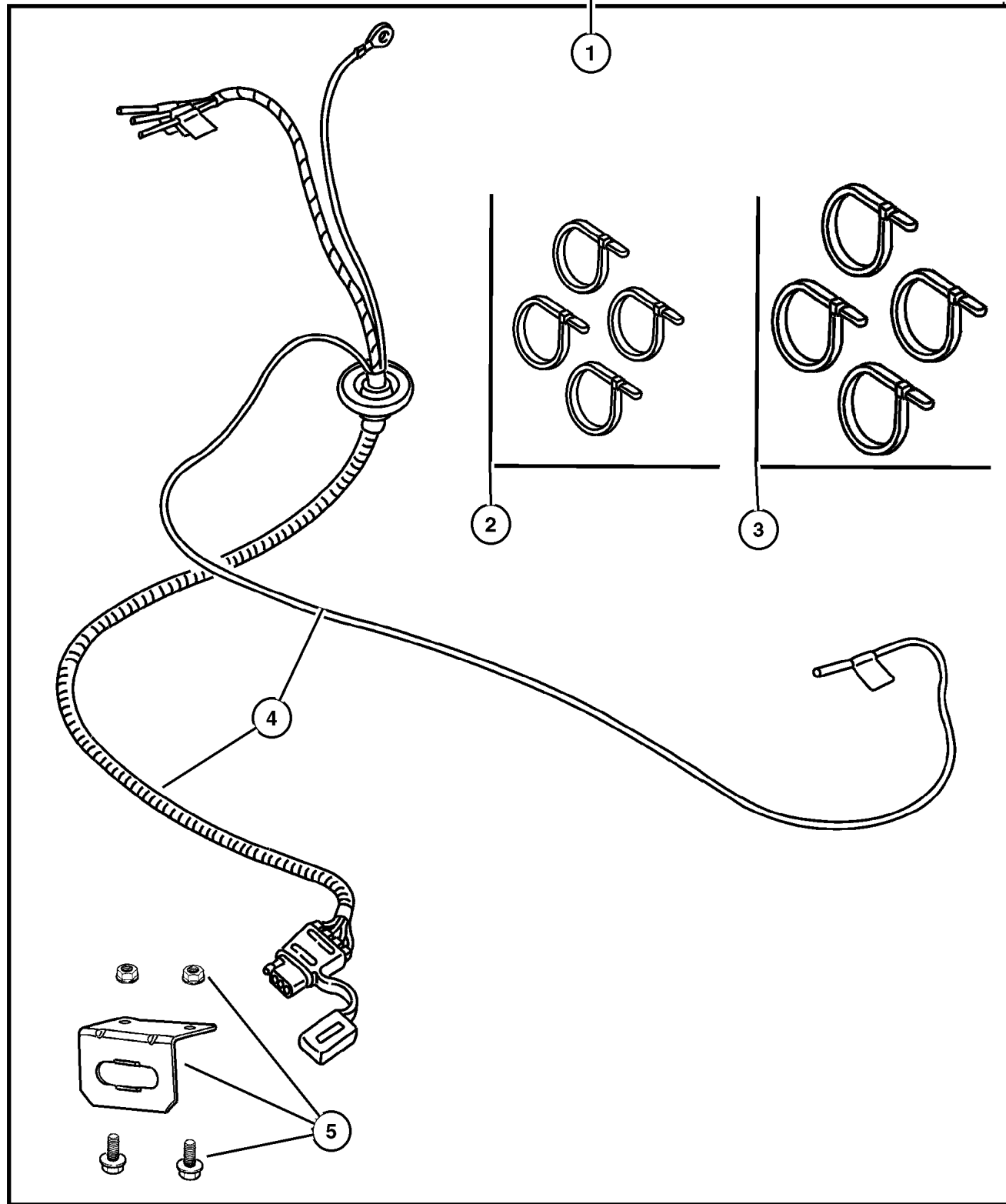
DODGE - CHRYSLER NEON (PL)

SERIES	LINE	BODY	ENGINE	TRANSMISSION
L=Low Line	Z= Chrysler, RHD	41 = 4 Door,	ECB = 2.0L 4 Cyl. , 16V SMPI	DD5 = 5 Speed Manual
H=High Line	D= Dodge	104WB	ECH = 2.0L 4 Cyl, 16V SOHC	DGL = 4 Speed Automatic
S = Special	C= Chrysler		EJD, EJ0 = 1.6L 4 Cyl 16v, SOHC	DG0 = All Automatics
P = Premium				DBB = All 5 Speed Manual
X = R/T				

AR = Use as required - = Non illustrated part # = New this model year

April 9, 2002

Wiring Package - Trailer Tow
Figure 001-290



ITEM	PART NUMBER	QTY	LINE	BODY	DESCRIPTION
1	8220 5158	1	D, P	41	WIRING PACKAGE, Trailer Tow
2	6015 756	1	D, P	41	STRAP, Tie, 7 inch
3	6016 155	1	D, P	41	STRAP, Tie, 14.5 inch
4					WIRING, Trailer Tow - 4 Way, Serviced in Package, (NOT SERVICED)
5	8220 4602	1	D, P	41	BRACKET KIT, Trailer Tow

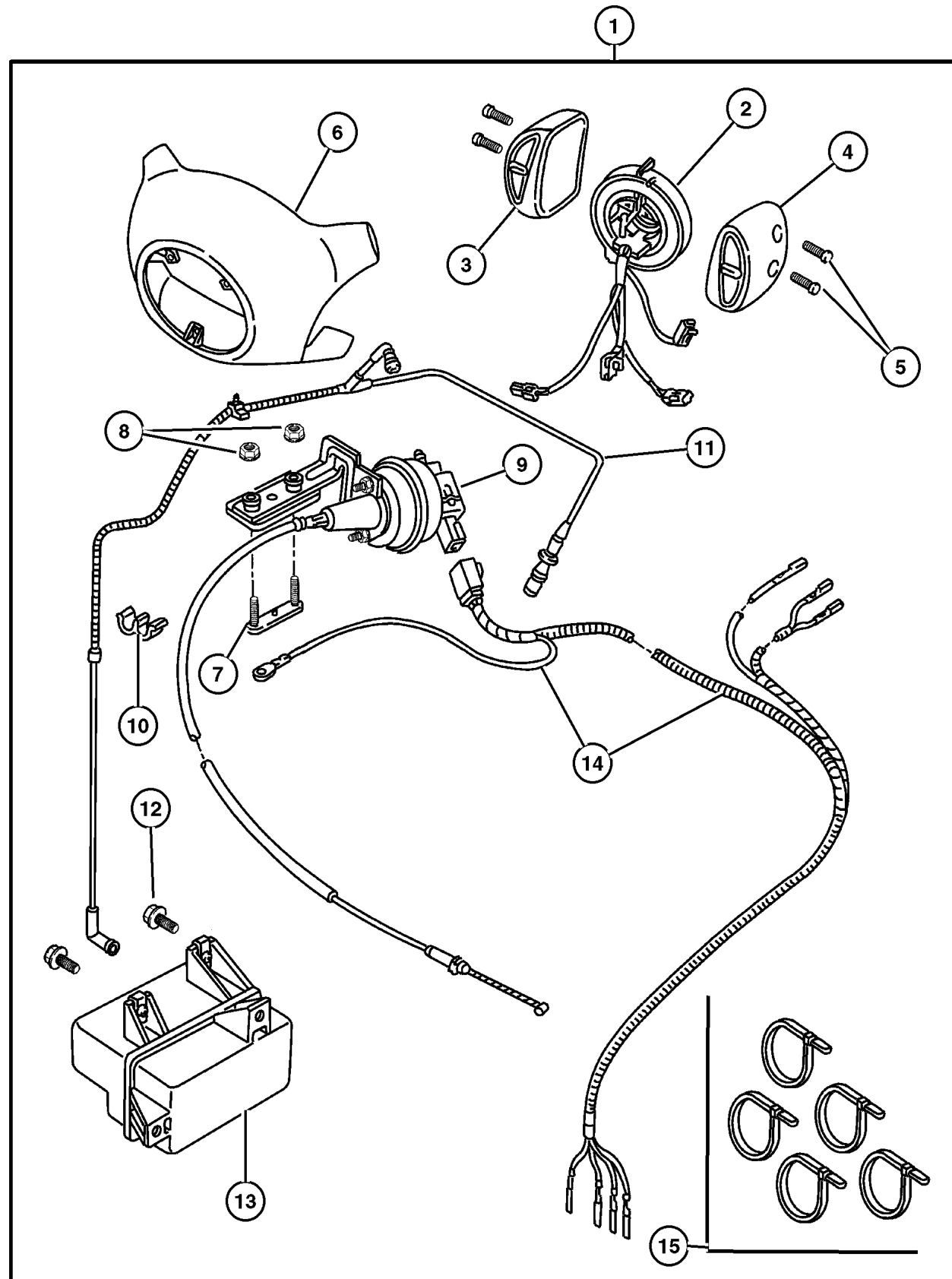
DODGE - CHRYSLER NEON (PL)

SERIES	LINE	BODY	ENGINE	TRANSMISSION
L=Low Line	Z= Chrysler, RHD	41 = 4 Door,	ECB = 2.0L 4 Cyl. , 16V SMPI	DD5 = 5 Speed Manual
H=High Line	D= Dodge	104WB	ECH = 2.0L 4 Cyl, 16V SOHC	DGL = 4 Speed Automatic
S = Special	C= Chrysler		EJD, EJ0 = 1.6L 4 Cyl 16v, SOHC	DG0 = All Automatics
P = Premium				DBB = All 5 Speed Manual
X = R/T				

AR = Use as required - = Non illustrated part # = New this model year

April 9, 2002

Speed Control Package
Figure 001-310



ITEM	PART NUMBER	QTY	LINE	BODY	DESCRIPTION
1	8220 7709	1		41	CONTROL PACKAGE, Speed Control
2	4793 585AB	1			CLOCKSPRING
3	QA77 1DV	1			SWITCH, Speed Control
4	QA76 1DV	1			SWITCH, Speed Control
5	0154 613	4			SCREW, Pan Head Tapping, .164-32x.625
6	ST87 1DVAA	1	D, P	41	COVER, Steering Wheel Back
7	4591 046	1	C, D		PLATE, Speed Control Servo
8	6500 274	2	C, D		LOCK NUT, M6x1.0x6
9					SERVO, Speed Control, Same as Production Parts , (NOT SERVICED)
10	4459 055AB	1			CLIP, Cable Routing
11	#4669 400AE	1	C, D		HARNESS, Vacuum Speed Control
12	6101 818	1			SCREW
13	4669 380AC	1			RESERVOIR, Speed Control Vacuum
14					WIRING, Speed Control, Serviced in Kit, (NOT SERVICED)
15	4641 780	1	C, D		STRAP, Tie

DODGE - CHRYSLER NEON (PL)

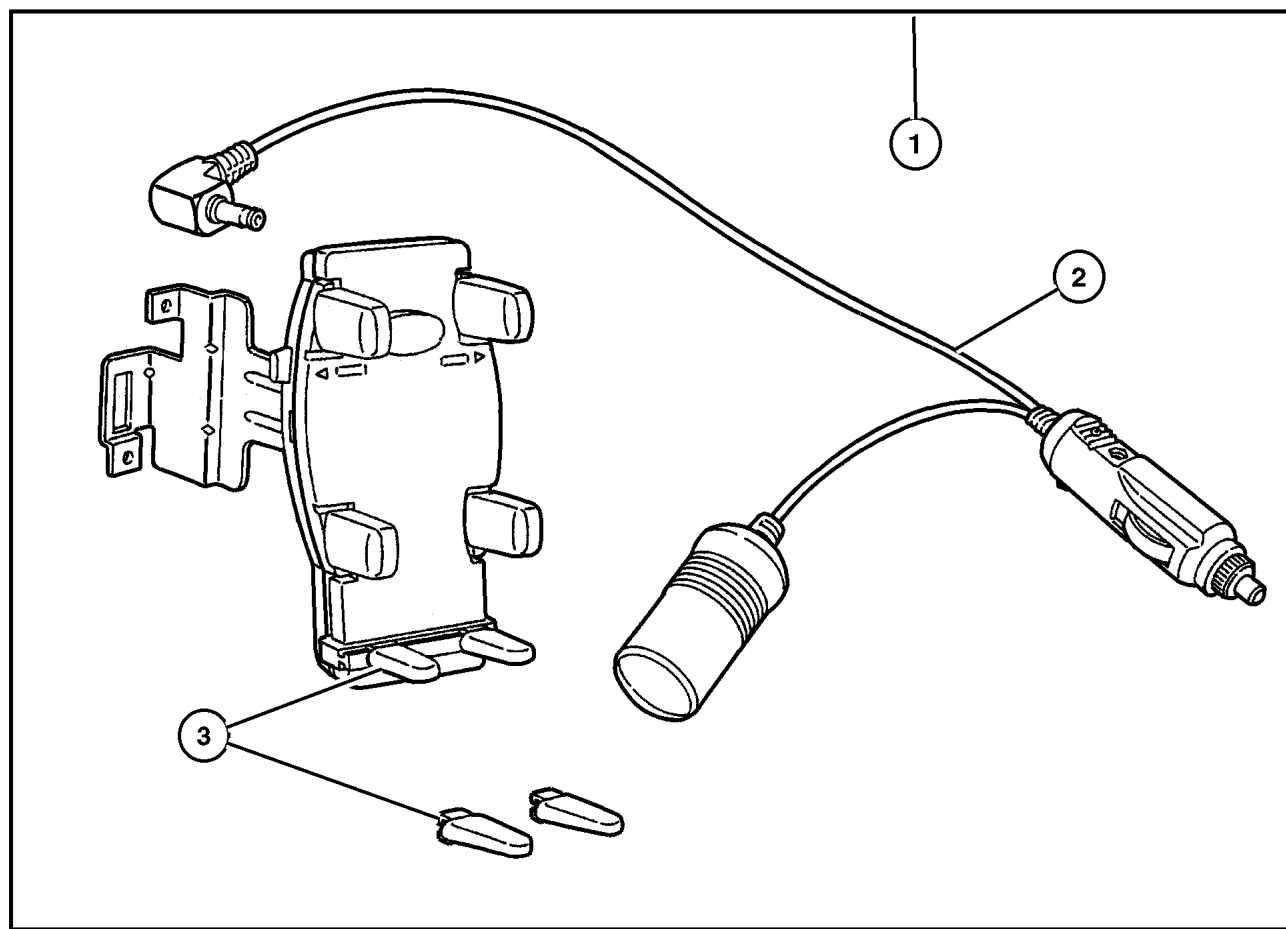
SERIES	LINE	BODY	ENGINE	TRANSMISSION
L=Low Line	Z= Chrysler, RHD	41 = 4 Door,	ECB = 2.0L 4 Cyl. , 16V SMPI	DD5 = 5 Speed Manual
H=High Line	D= Dodge	104WB	ECH = 2.0L 4 Cyl, 16V SOHC	DGL = 4 Speed Automatic
S = Special	C= Chrysler		EJD, EJ0 = 1.6L 4 Cyl 16v, SOHC	DG0 = All Automatics
P = Premium				DBB = All 5 Speed Manual
X = R/T				

AR = Use as required - = Non illustrated part # = New this model year

April 9, 2002

**Mounting Kit - Cell Phone
Figure 001-330**

ITEM	PART NUMBER	QTY	LINE	BODY	DESCRIPTION
1	8220 5276	1			MOUNTING KIT, Cellular Phone
2	5016 536AA	1			CORD, Cellular Phone, 18 inches
3	5018 103AA	1			HARDWARE KIT, Accessory, Contains Support Feet

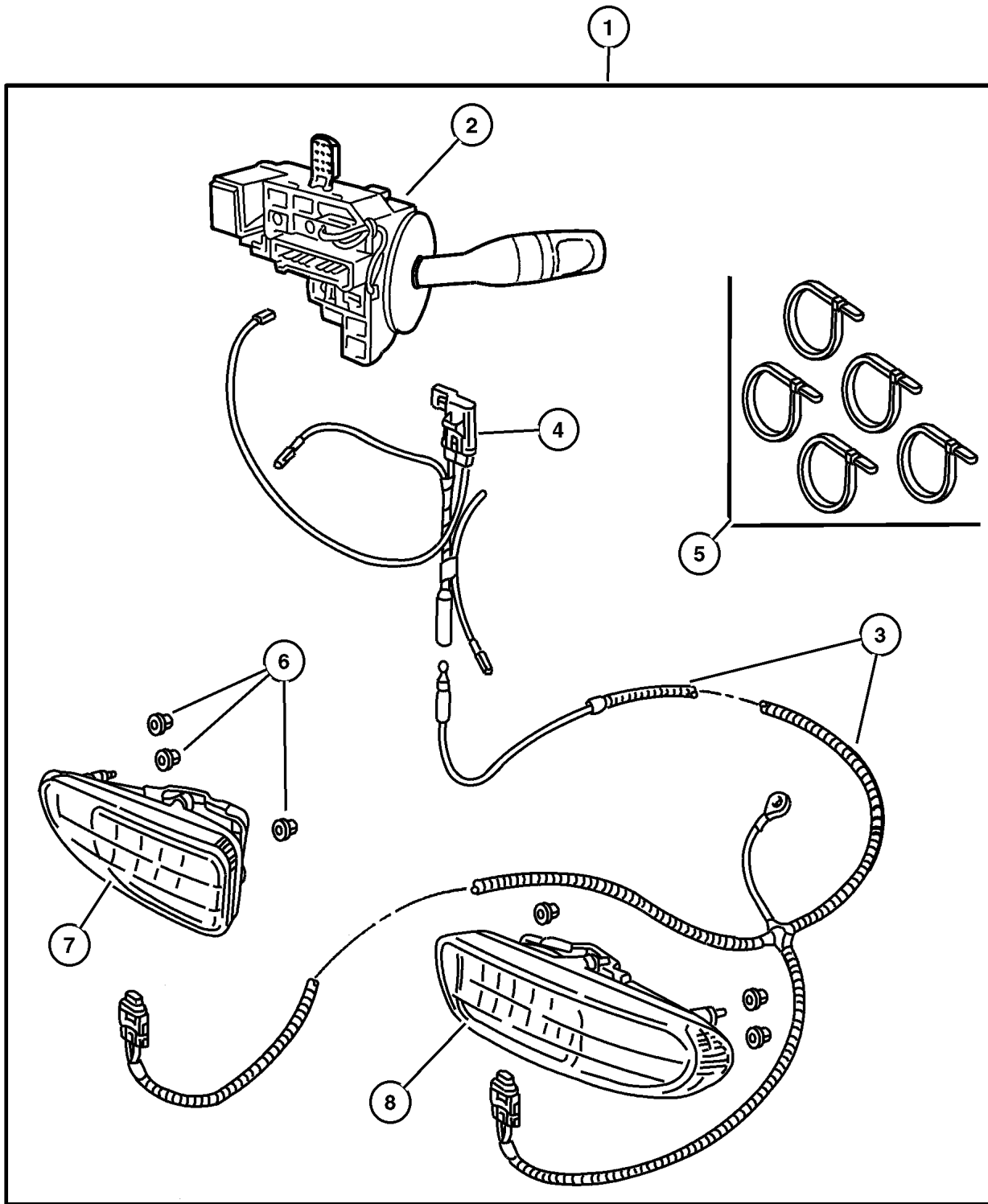


DODGE - CHRYSLER NEON (PL)				
SERIES	LINE	BODY	ENGINE	TRANSMISSION
L=Low Line	Z= Chrysler, RHD	41 = 4 Door,	ECB = 2.0L 4 Cyl. , 16V SMPI	DD5 = 5 Speed Manual
H=High Line	D= Dodge	104WB	ECH = 2.0L 4 Cyl, 16V SOHC	DGL = 4 Speed Automatic
S = Special	C= Chrysler		EJD, EJ0 = 1.6L 4 Cyl 16v, SOHC	DG0 = All Automatics
P = Premium				DBB = All 5 Speed Manual
X = R/T				

AR = Use as required - = Non illustrated part # = New this model year

Fog Lamps
Figure 001-612

ITEM	PART NUMBER	QTY	LINE	BODY	DESCRIPTION
1	#8220 7559	1	D, P	41	LIGHT PACKAGE, Fog
2	5073 045AA	1	D, P	41	SWITCH, Multifunction
3					WIRING, Fog Lamp, Serviced in Package, (NOT SERVICED)
4					WIRING, Serviced in Package, (NOT SERVICED)
5	6015 756	1	D, P	41	STRAP, Tie
6	6101 447	6			NUT, M6x1.0
7	5288 592AD	1			LAMP, Fog, Right
8	5288 593AD	1			LAMP, Fog, Left



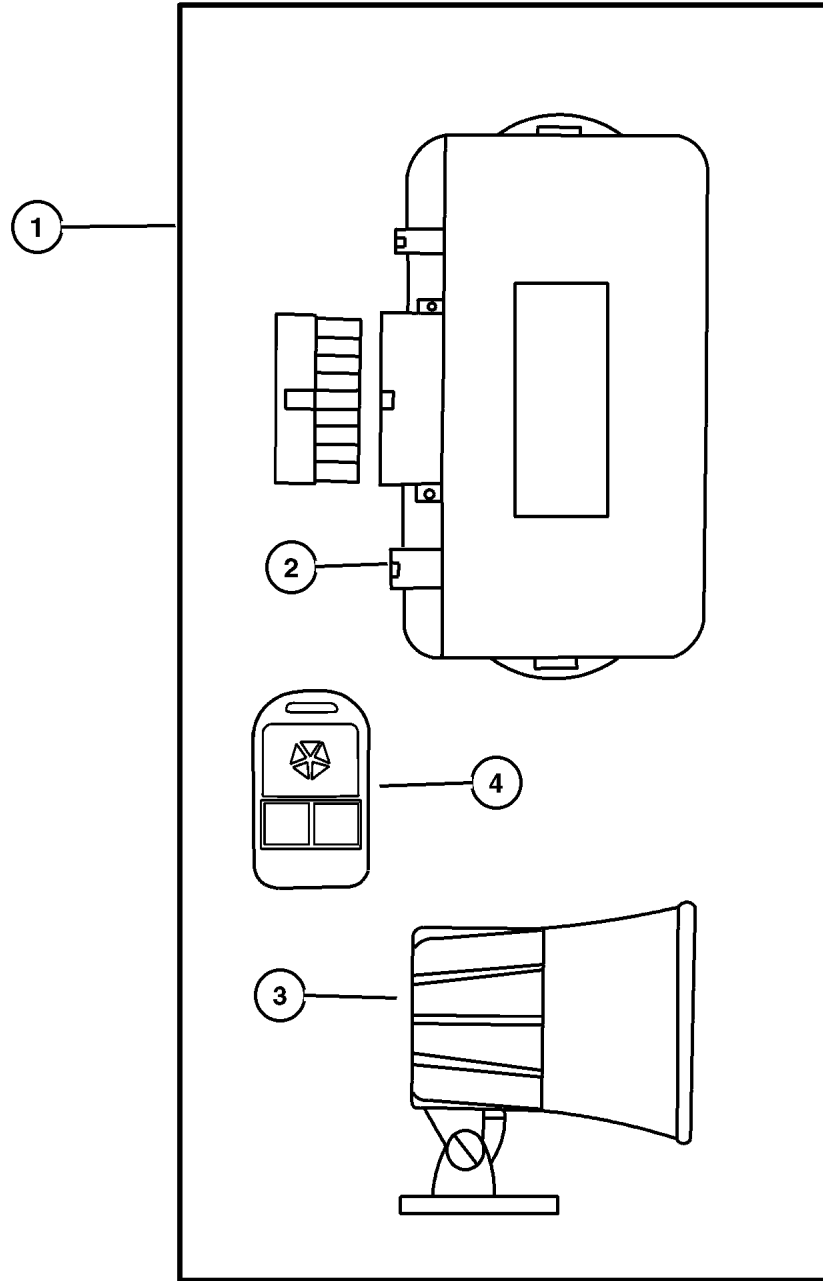
DODGE - CHRYSLER NEON (PL)

SERIES	LINE	BODY	ENGINE	TRANSMISSION
L=Low Line	Z= Chrysler, RHD	41 = 4 Door,	ECB = 2.0L 4 Cyl. , 16V SMPI	DD5 = 5 Speed Manual
H=High Line	D= Dodge	104WB	ECH = 2.0L 4 Cyl, 16V SOHC	DGL = 4 Speed Automatic
S = Special	C= Chrysler		EJD, EJO = 1.6L 4 Cyl 16v, SOHC	DG0 = All Automatics
P = Premium				DBB = All 5 Speed Manual
X = R/T				

AR = Use as required - = Non illustrated part # = New this model year

April 9, 2002

**Alarm EVS Base System
Figure 001-910**



ITEM	PART NUMBER	QTY	LINE	BODY	DESCRIPTION
1	8220 3763	1			MODULE KIT, Alarm without Keyless
2	5012 164AA	1	D, P	41	MODULE, Security Alarm
3	8220 3198	1			SIREN, Alarm
4	4886 374AA	1			TRANSMITTER, Alarm or Keyless
-5	4636 141	1			BATTERY, Transmitter, Two Included
-6	4886 259AA	1			INDICATOR, Valet Status
-7	4886 258AA	1			SWITCH, Programing Bypass

DODGE - CHRYSLER NEON (PL)

SERIES	LINE	BODY	ENGINE	TRANSMISSION
L=Low Line	Z= Chrysler, RHD	41 = 4 Door,	ECB = 2.0L 4 Cyl. , 16V SMPI	DD5 = 5 Speed Manual
H=High Line	D= Dodge	104WB	ECH = 2.0L 4 Cyl, 16V SOHC	DGL = 4 Speed Automatic
S = Special	C= Chrysler		EJD, EJO = 1.6L 4 Cyl 16v, SOHC	DG0 = All Automatics
P = Premium				DBB = All 5 Speed Manual
X = R/T				

AR = Use as required - = Non illustrated part # = New this model year

April 9, 2002

Group – 002

Front Suspension & Drive

GROUP 2 - Front Suspension & Drive

Illustration Title

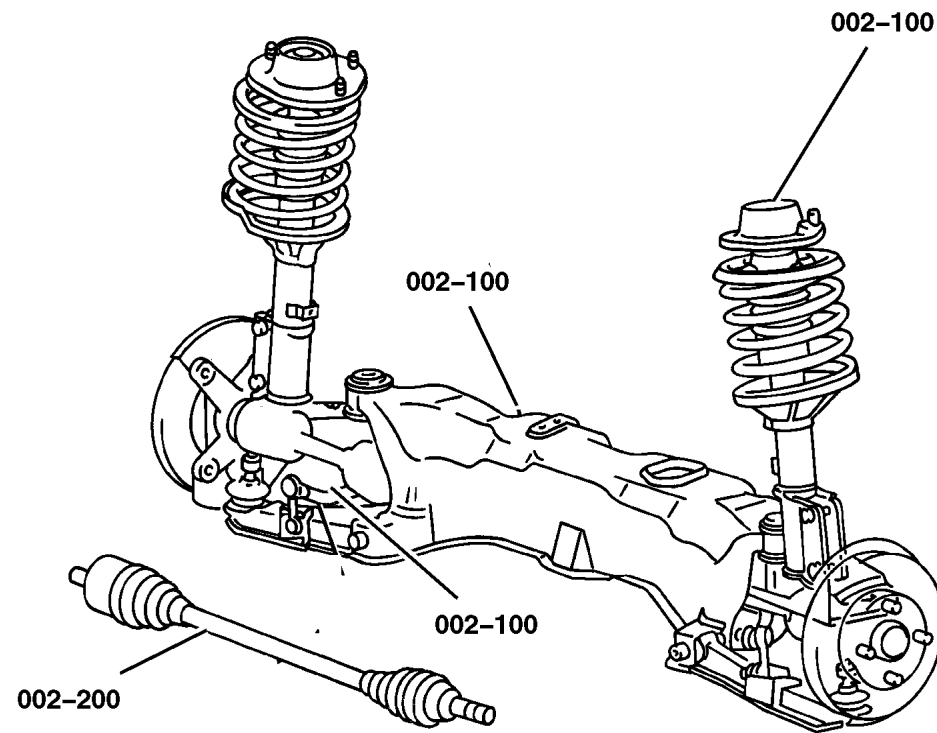
Group-Fig. No.

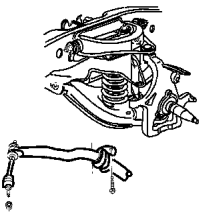
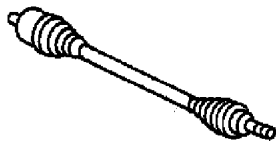
Front Suspension

Suspension, Front Fig. 002-105

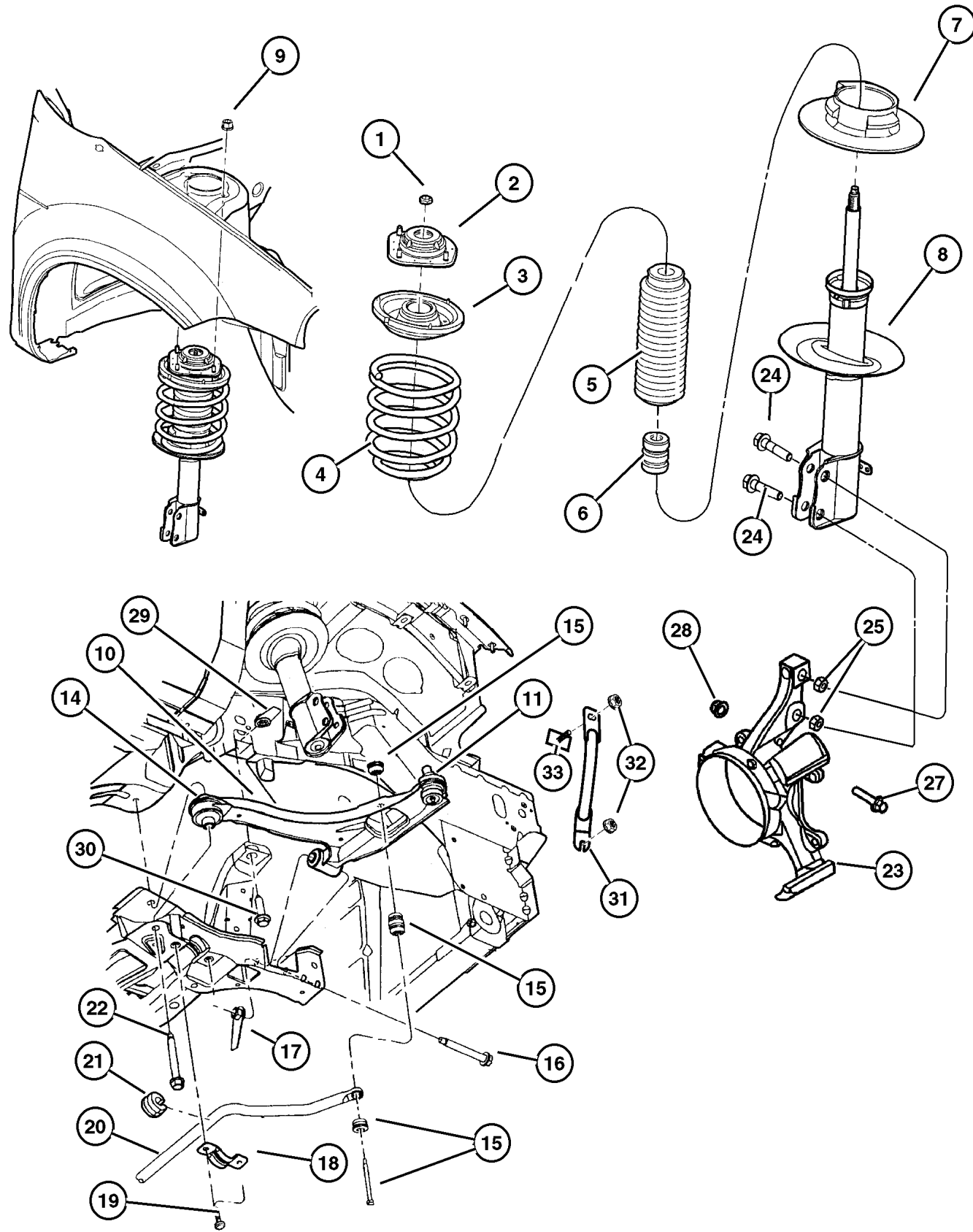
Front Axle Drive Shafts

Shaft, Front Drive Fig. 002-205



<p>002-100 Front Suspension</p> 	<p>002-200 Front Axle Drive Shafts</p> 		
--	---	--	--

Suspension, Front Figure 002-105



ITEM	PART NUMBER	QTY	LINE	BODY	ENGINE	TRANS	DESCRIPTION
SALES CODE:							
[DD5] = TRANSMISSION - PERF. MANUAL 5-SPEED							
[DGL] = TRANSMISSION - AUTOMATIC 4-SPD, 41TE							
[SDB]=SUSPENSION - HEAVY DUTY							
[SDC]=SUSPENSION - TOURING							
[SDD]=SUSPENSION - PERFORMANCE							
[SDE]=SUSPENSION - SPORT							
[SDF]=SUSPENSION - EURO							
[SDK]=SUSPENSION - COMPETITION							
[ZCC thur ZRJ]=Spring Group Type's Found on Individual Vehicle Sales's Code							
1	6505 116AA	2					NUT, M14X2
2	5272 226	2					MOUNT AND BEARING, Strut, Upper
3	5272 227	2					SEAT AND BEARING, Suspension Strut
4							SPRING, Front Coil
	5272 291AA	1					Tag# 291AA [SDE, SDK] [ZEA, ZTA]
	5272 292AA	1					Tag# 292AA [SDE, SDK] [ZEB, ZTB]
	5272 293AA	1					Tag# 293AA [SDE, SDK] [ZEC, ZTC]
	5272 294AA	1					Tag# 294AA [SDE, SDK] [ZED, ZTD]
	5272 295AA	1					Tag# 295AA [SDE, SDK] [ZEE, ZTE]
	5272 296AA	1					Tag# 296AA [SDE, SDK] [ZEF, ZTF]
	#5272 497AA	1					Tag# 497AA [SDE, SDK] [ZEG, ZTG]
	#5272 498AA	1					Tag# 498AA [SDE, SDK] [ZEH, ZTH]
	5272 603AB	1					Tag# 603AB [SDB, SDC, SDF, SDD] [ZCC, ZRC]
	5272 604AB	1					Tag# 604AB [SDB, SDC, SDF, SDD] [ZCD, ZRD]
	5272 605AB	1					Tag# 605AB [SDB, SDC, SDF, SDD] [ZCE, ZRE]
	5272 606AB	1					Tag# 606AB [SDB, SDC, SDF, SDD] [ZCF, ZRF]
	5272 607AB	1					Tag# 607AB [SDB, SDC, SDF, SDD] [ZCG, ZRG]
	5272 608AB	1					Tag# 608AB [SDB, SDC, SDF, SDD] [ZCH, ZRH]
	5272 609AB	1					Tag# 609AB [SDB, SDC, SDF, SDD] [ZCJ, ZRJ]
5	4656 943AB	2					SHIELD, Strut
6	5272 223AC	2					BUMPER, Jounce
7	4656 083	2					ISOLATOR, Spring
8							STRUT, Front Suspension
	5272 325AD	2					[SDC]
	5272 783AB	2					[SDK]
	4656 174AE	2					[SDF, SDB, SDD]
	4656 694AB	2					[SDE]
9	6101 445	6					NUT AND WASHER, Hex Nut-Coned Washer, M8 x 1.25, Strut Mount
10							ARM, Control
	5272 236AE	1					Right
	5272 237AE	1					Left

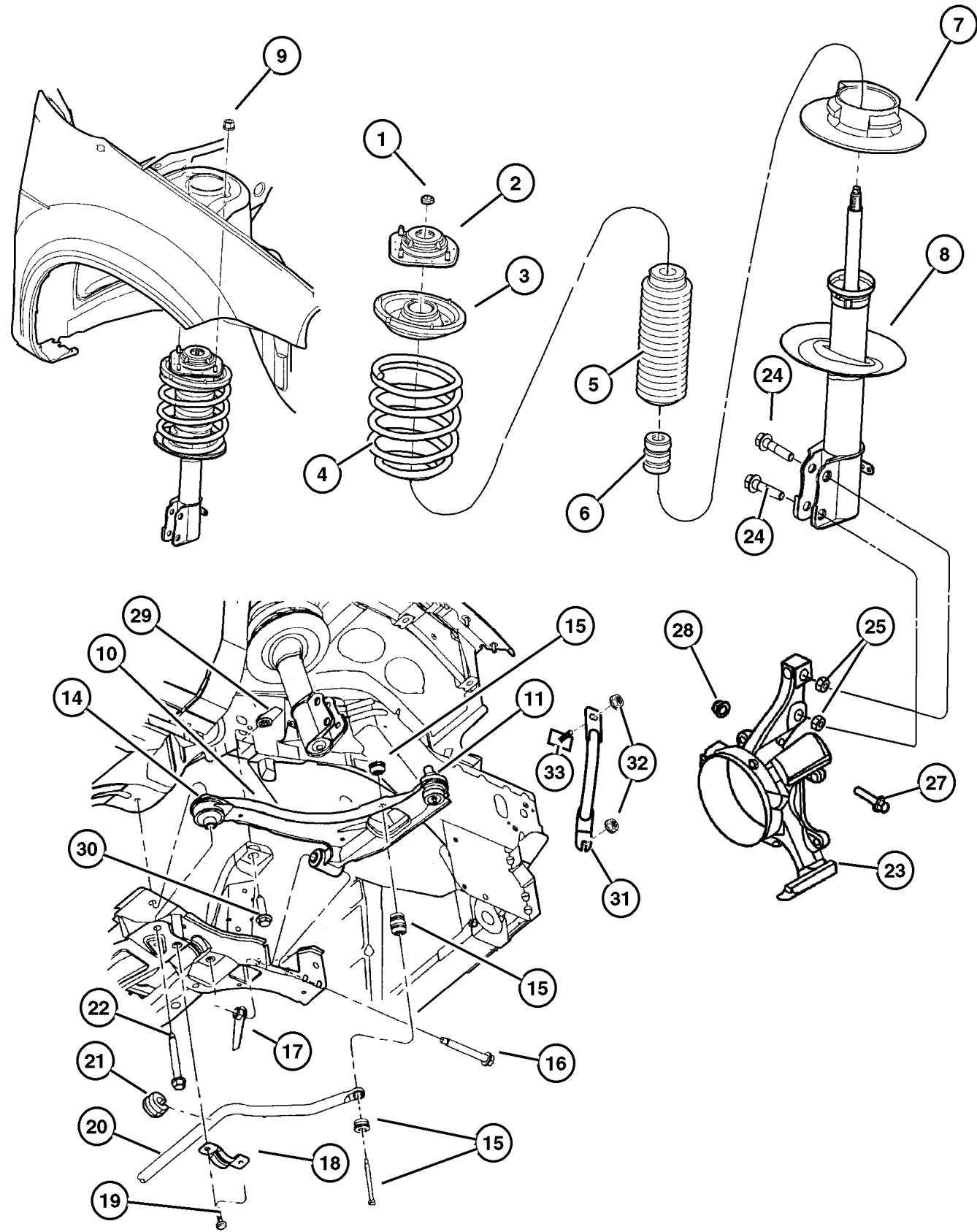
DODGE - CHRYSLER NEON (PL)

SERIES	LINE	BODY	ENGINE	TRANSMISSION
L=Low Line	Z= Chrysler, RHD	41 = 4 Door,	ECB = 2.0L 4 Cyl. , 16V SMPI	DD5 = 5 Speed Manual
H=High Line	D= Dodge	104WB	ECH = 2.0L 4 Cyl, 16V SOHC	DGL = 4 Speed Automatic
S = Special	C= Chrysler		EJD, EJO = 1.6L 4 Cyl 16v, SOHC	DG0 = All Automatics
P = Premium				DBB = All 5 Speed Manual
X = R/T				

AR = Use as required - = Non illustrated part # = New this model year

April 9, 2002

Suspension, Front Figure 002-105



ITEM	PART NUMBER	QTY	LINE	BODY	ENGINE	TRANS	DESCRIPTION
11	4656 010	1					BALL JOINT, Lower Control Arm
-12	4694 745	1					FITTING, Ball Joint, Zirc
-13	4656 464AA	1					SEAL, Ball Joint
14	4656 012AC	1					BUSHING, Control Arm
15	5272 324AB	2					LINK, Sway Eliminator
16	6504 742	2					SCREW AND WASHER, Hex Head, M14 x 2 x 115.0
17	6505 595AA	2					NUT, M14X2
18	4656 513AA	2					CLAMP, Stabilizer Bar
19	6505 622AA	4					SCREW, Hex Head
20	4656 856AA	1					BAR, Front Sway [SDE, SDK, SDF, SDD, SDC]
	5272 327	1					[SDB]
21	4656 512AA	2					CUSHION, Sway Eliminator [SDB]
	4656 945AA	2					[SDE, SDK, SDF, SDD, SDC]
22	6506 039AA	2					SCREW, Hex Head, Front Control Arm Rear Pivot Att M16x2.00x130.0
23							KNUCKLE, Front
	#4656 090AF	1	C, D			DD5	Right
	#4656 091AF	1	C, D			DD5	Left
	#4656 938AB	1	Z			DD5	With [SBP], Right
	#4656 939AB	1	Z			DD5	With [SBP], Left
	#4656 938AB	1				DGL	Right
	#4656 939AB	1				DGL	Left
24	6505 525AA	4					SCREW, M14x2.00x70.00
25	6505 232AA	4					NUT, M14x2.00
-26	5019 074AA	4					BOLT PACKAGE, Camber Adjustment
27	6501 248	2					BOLT, Hex Flange Head, M12x1.75x57
28	6501 247	2					NUT, M12x1.75
29	6505 595AA	2					NUT, M14X2
30	6506 038AA	2					SCREW, Hex Head, Cross Member To Side Rail, Front
31	4656 614AA	1					STRUT, Suspension, Pencil
32	6504 728	2					NUT AND WASHER, M10x1.5
33	6506 427AA	1					BOLT, M10X1.5X40.0

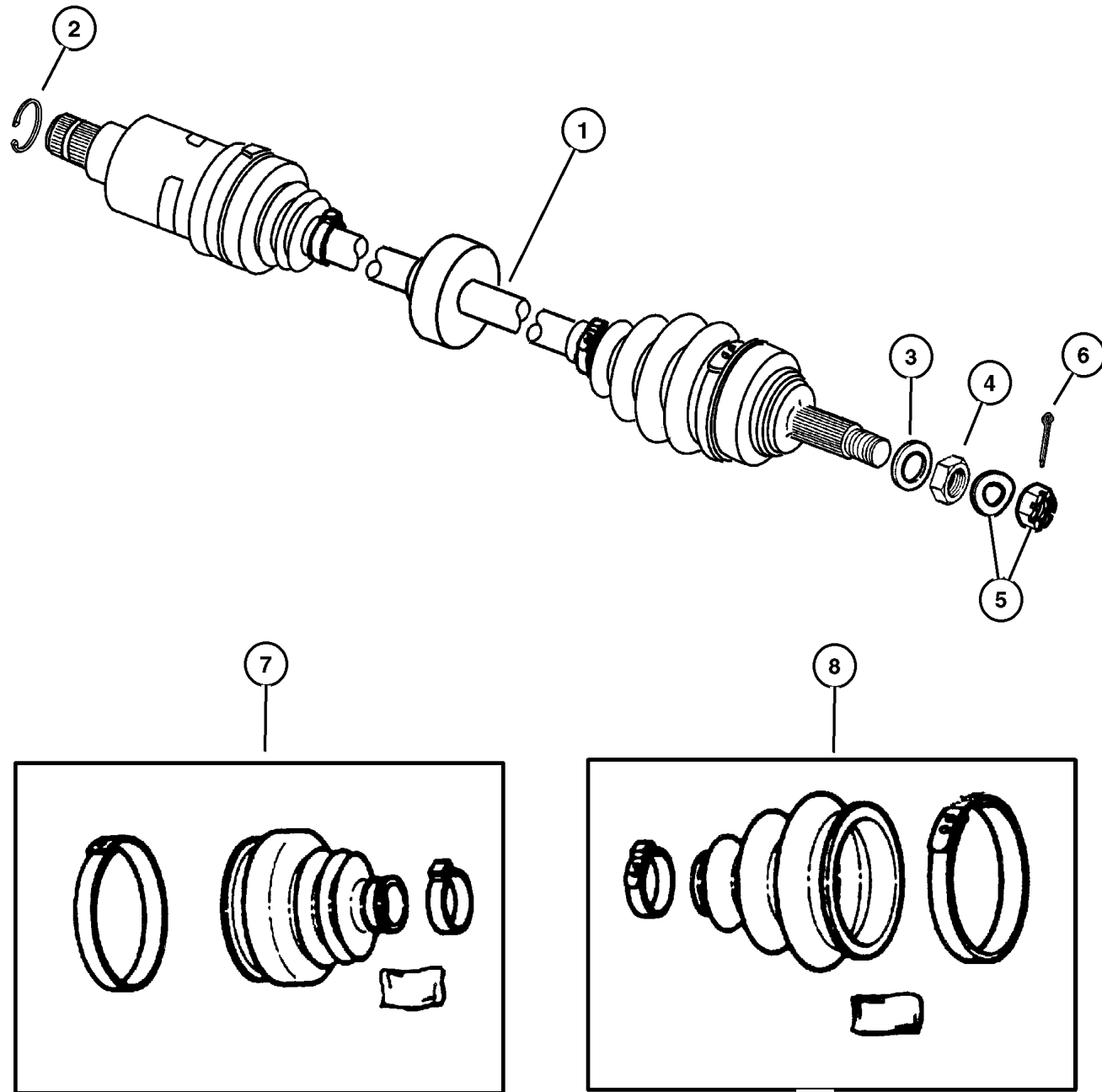
DODGE - CHRYSLER NEON (PL)

SERIES	LINE	BODY	ENGINE	TRANSMISSION
L=Low Line	Z= Chrysler, RHD	41 = 4 Door, 104WB	ECB = 2.0L 4 Cyl. , 16V SMPI	DD5 = 5 Speed Manual
H=High Line	D= Dodge		ECH = 2.0L 4 Cyl, 16V SOHC	DGL = 4 Speed Automatic
S = Special	C= Chrysler		EJD, EJO = 1.6L 4 Cyl 16v, SOHC	DG0 = All Automatics
P = Premium				DBB = All 5 Speed Manual
X = R/T				

AR = Use as required - = Non illustrated part # = New this model year

April 9, 2002

**Shaft, Front Drive
Figure 002-205**



ITEM	PART NUMBER	QTY	LINE	BODY	ENGINE	TRANS	DESCRIPTION
SALES CODE:							
[ECB]=2.0L 4 CYL SOHC 16V SMPI							
[ECH]=2.0L 4 CYL SOHC 16V HI PERF							
[EJD]=1.6L 4 CYL SOHC 16V SMPI							
[DD5]=5 Sp. Manual Trans.							
[DGL]=4-SPD. AUTOMATIC,41TE							
1							SHAFT, Axle Half
	#4668 914AA	1			ECB, EJD	DD5	Right
	#4668 915AA	1			ECB, EJD	DD5	Left
	#4668 918AA	1			ECH	DD5	Right
	#4668 919AA	1			ECH	DD5	Left
	#4668 918AA	1				DGL	Right
	#4668 919AA	1				DGL	Left
2							CIRCLIP, Half Shaft
	4797 704	1				DGL	
		1			ECH	DD5	
3	6503 352	2					WASHER, Flat, M23x38.0x405
4	6503 685	2					NUT
5	4293 167	2					NUT AND WASHER PACKAGE, Front Hub
6	6500 336	2					PIN, Cotter, M5x36.00
7							BOOT KIT, Half Shaft, Inner
	5014 912AA	1			ECB, EJD	DD5	Right
	5014 913AA	1			ECB, EJD	DD5	Left
	5014 912AA	1			ECH	DD5	Right
	5014 913AA	1			ECH	DD5	Left
	5014 912AA	1				DGL	Right
	5014 913AA	1				DGL	Left
8							BOOT KIT, Half Shaft, Outer
	5014 914AA	1			ECB, EJD	DD5	
		1			ECH	DD5	
		1				DGL	

DODGE - CHRYSLER NEON (PL)

SERIES	LINE	BODY	ENGINE	TRANSMISSION
L=Low Line	Z= Chrysler, RHD	41 = 4 Door,	ECB = 2.0L 4 Cyl. , 16V SMPI	DD5 = 5 Speed Manual
H=High Line	D= Dodge	104WB	ECH = 2.0L 4 Cyl, 16V SOHC	DGL = 4 Speed Automatic
S = Special	C= Chrysler		EJD, EJO = 1.6L 4 Cyl 16v, SOHC	DG0 = All Automatics
P = Premium				DBB = All 5 Speed Manual
X = R/T				

AR = Use as required - = Non illustrated part # = New this model year

April 9, 2002

Group – 004

Parking Brake

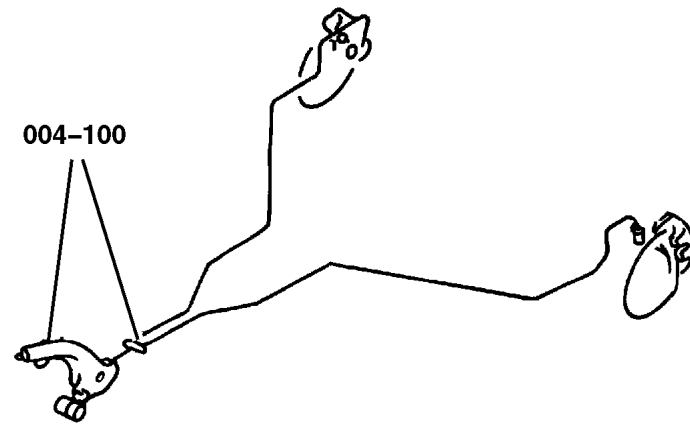
GROUP 4 - Parking Brake


Illustration Title

Group-Fig. No.

Parking Brake Lever and Cables

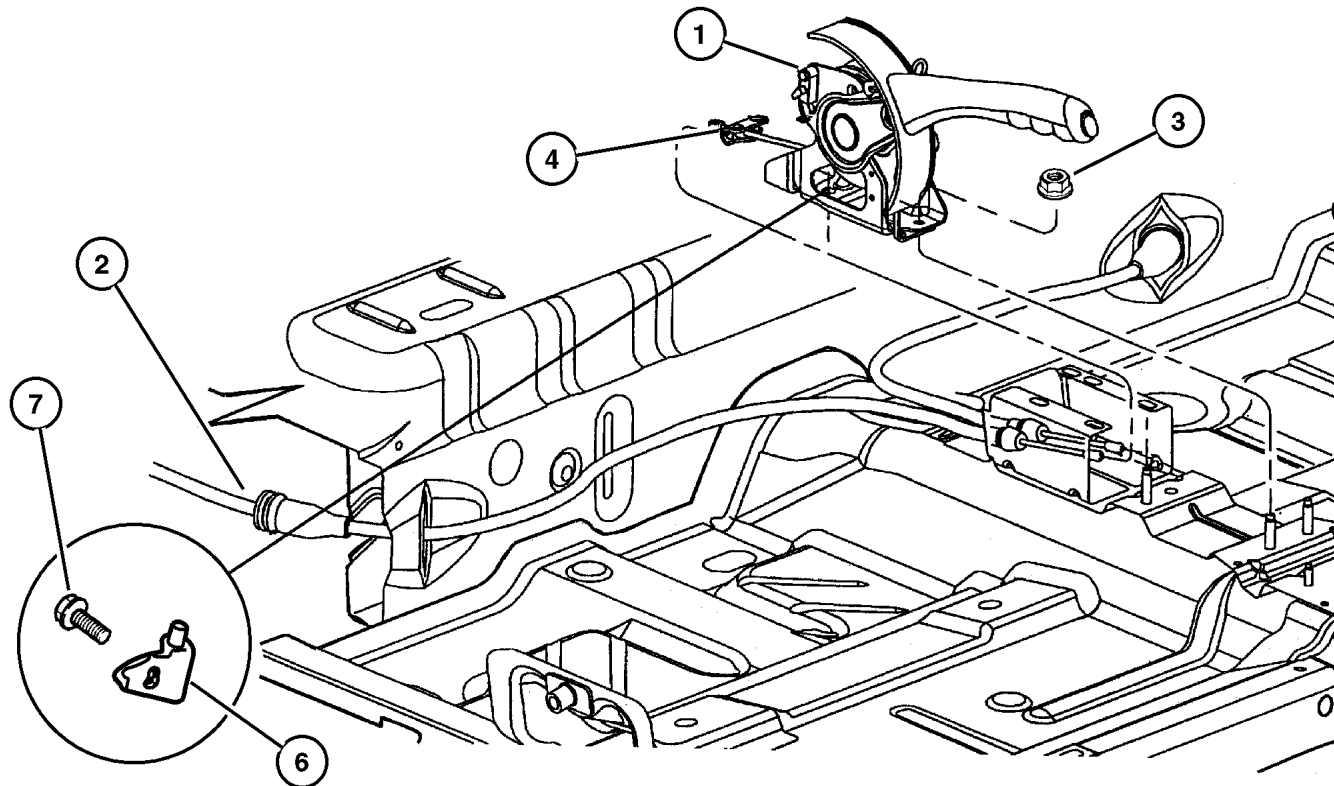
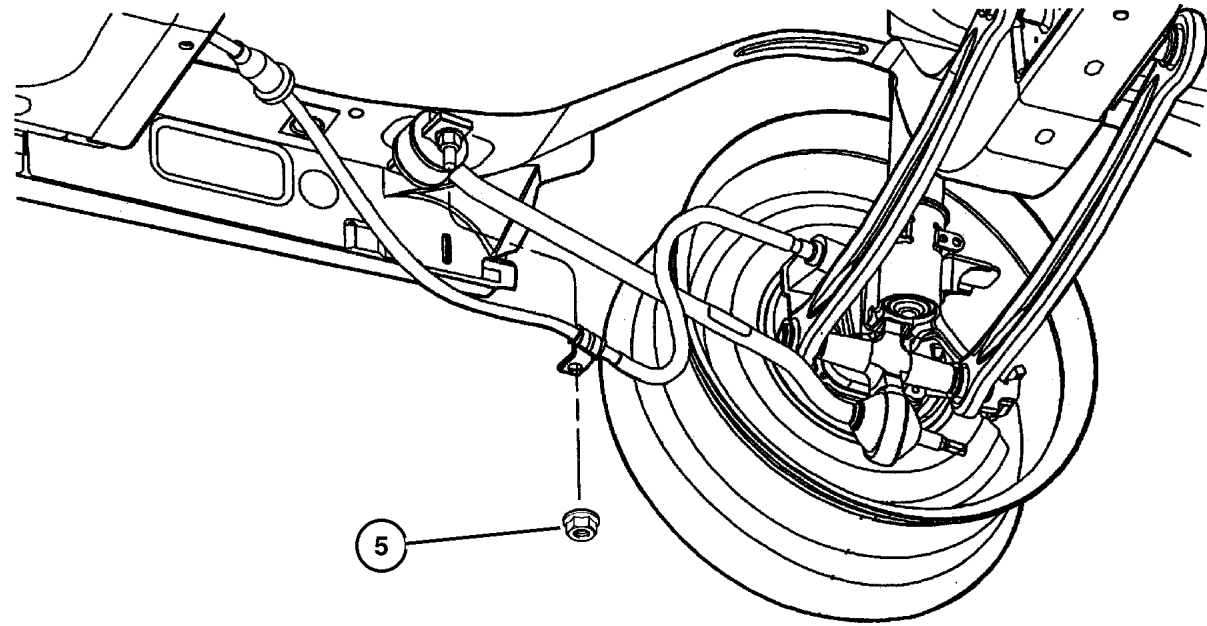
Lever and Cables Fig. 004-105



<p>004-100 Parking Brake Lever and Cables</p> 			
---	--	--	--

Lever and Cables
Figure 004-105

ITEM	PART NUMBER	QTY	LINE	BODY	DESCRIPTION
1	4509 778AD	1			LEVER, Park Brake
2					CABLE, Parking Brake
	4509 893AD	2			Rear Drum Brake,Right And Left
	4509 894AD	1			Rear Disc Brake,Right
	4509 895AD	1			Rear Disc Brake,Left
3	6505 669AA	2			NUT, Hex Flange
4					EQUALIZER, Parking Brake Cable, Service in Lever Assy, (NOT SERVICED)
5	6502 337	4			NUT, M10x1.5, Parking Brake Cable Attaching
6	5209 922	1			SWITCH, Parking Brake
7	6101 949	1			SCREW, Parking Brake Switch Mounting



DODGE - CHRYSLER NEON (PL)

SERIES	LINE	BODY	ENGINE	TRANSMISSION
L=Low Line	Z= Chrysler, RHD	41 = 4 Door, 104WB	ECB = 2.0L 4 Cyl. , 16V SMPI	DD5 = 5 Speed Manual
H=High Line	D= Dodge		ECH = 2.0L 4 Cyl, 16V SOHC	DGL = 4 Speed Automatic
S = Special	C= Chrysler		EJD, EJ0 = 1.6L 4 Cyl 16v, SOHC	DG0 = All Automatics
P = Premium				DBB = All 5 Speed Manual
X = R/T				

AR = Use as required - = Non illustrated part # = New this model year

April 9, 2002

Group – 005

Service Brakes

GROUP 5 - Service Brakes

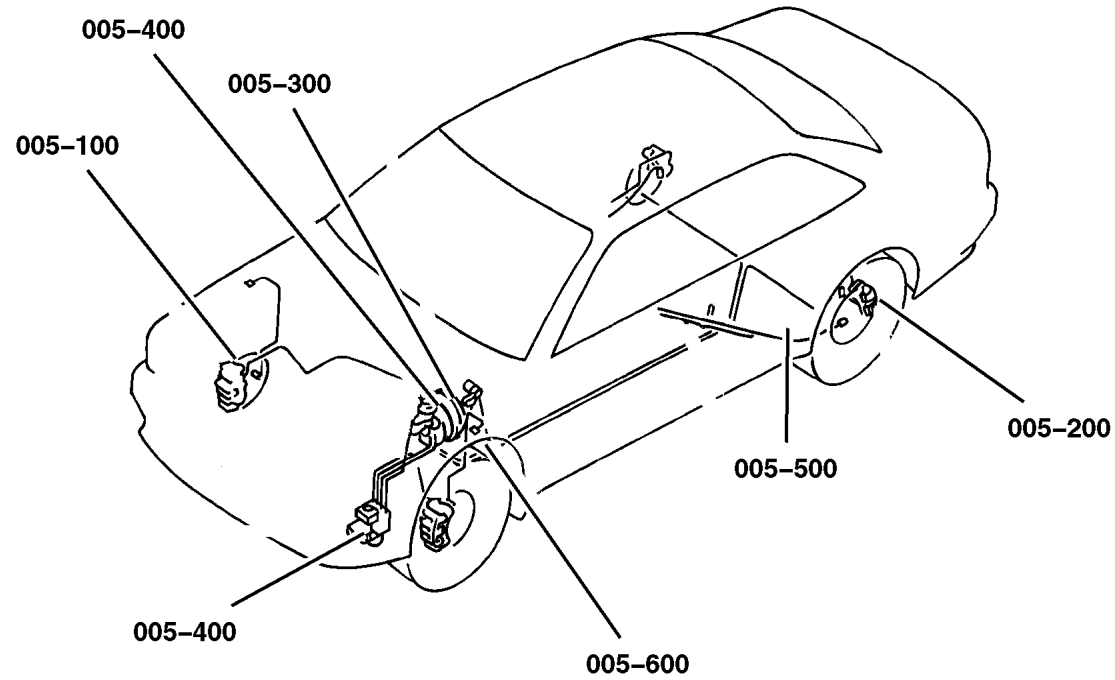


Illustration Title

Group-Fig. No.

Front Brakes

Brakes, Front Fig. 005-105

Rear Brakes

Brakes, Rear Drum Fig. 005-205

Brakes, Rear Disc Fig. 005-207

Power Brake Booster

Booster, Power Brake Fig. 005-305

Brake Master Cylinder

Master Cylinder Fig. 005-405

Anti-Lock Brake Control Fig. 005-410

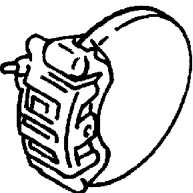
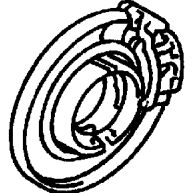
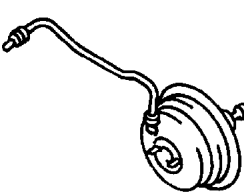
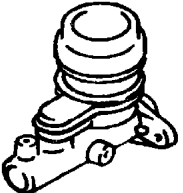
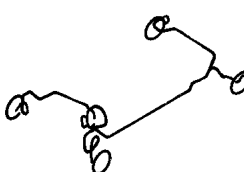

Brake Lines and Hoses

Lines and Hoses, Brake Without Anti-Lock Brakes Fig. 005-505

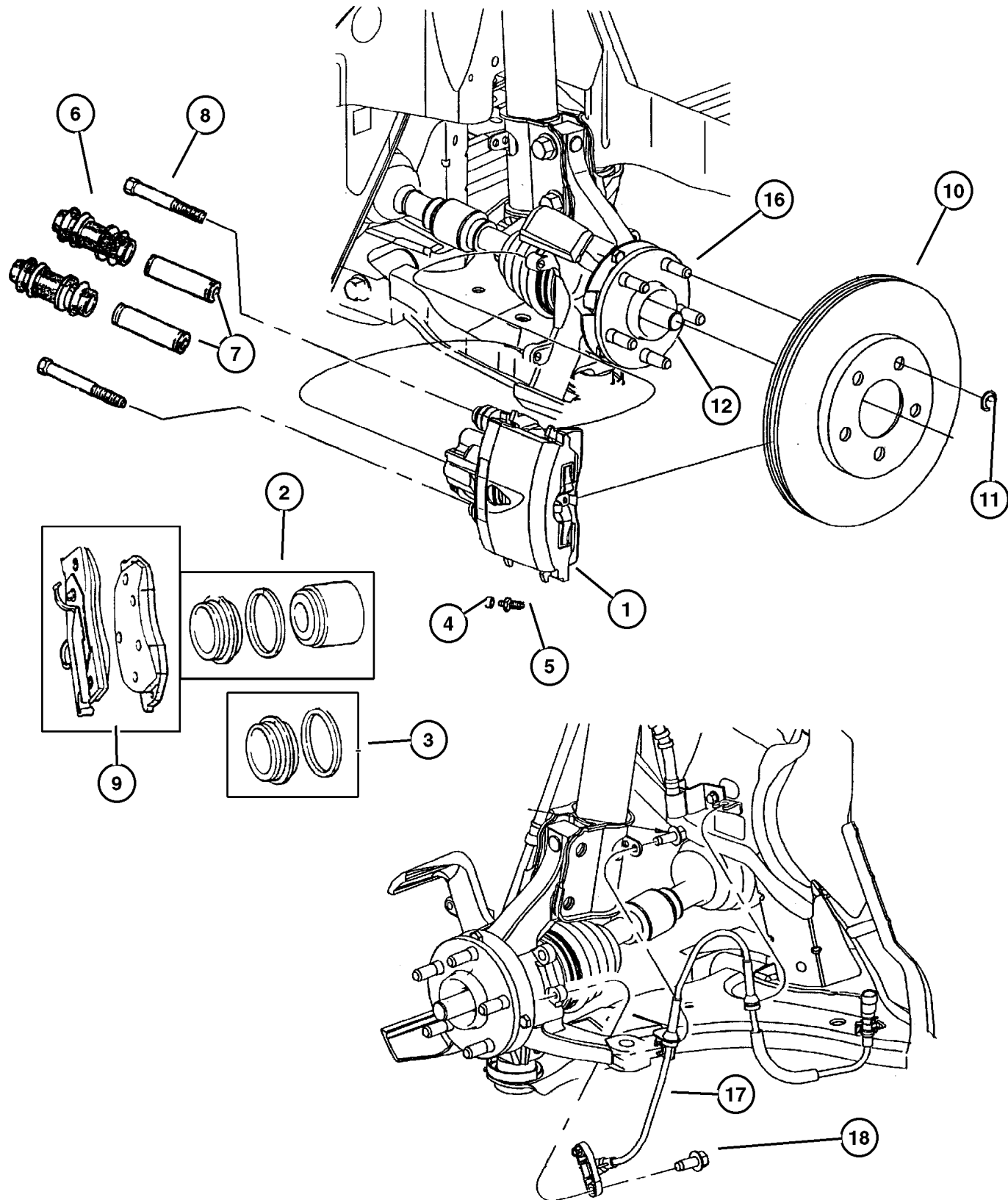
Lines and Hoses, Brake With Anti-Lock Brakes Fig. 005-545

Brake Pedals

Pedal, Brake Fig. 005-605

<p>005-100 Front Brakes</p> 	<p>005-200 Rear Brakes</p> 	<p>005-300 Power Brake Booster</p> 	<p>005-400 Brake Master Cylinder</p> 
<p>005-500 Brake Lines and Hoses</p> 	<p>005-600 Brake Pedals</p> 		

Brakes, Front Figure 005-105



ITEM	PART NUMBER	QTY	LINE	BODY	DESCRIPTION
Note: Sales Codes					
[BRA]=POWER FRONT DISC/REAR DRUM					
[BRD]=4-WHEEL DISC					
[BRF]=ANTI-LOCK 4-WHEEL-DISC					
[BRX]=FRONT DISC/REAR DRUM					
[ACR]= COMPETITION GROUP					
1					CALIPER, Disc Brake
	#5083 790AA	1			Right
	#5083 791AA	1			Left
2	5066 699AA	1			PISTON KIT, DISC BRAKE
3	5066 700AA	1			BOOT AND SEAL, Disc Brake
4	4238 717	1			CAP, Bleeder
5	5014 431AA	1			SCREW, Bleeder
6	4383 471	1			BUSHING, Disc Brake Caliper
7	5018 238AA	1			SLEEVE, Disc Brake Caliper
8	6502 527	4			BOLT, Hex Flange Head, M8-1.25x68.50
9					PAD KIT, Front Disc Brake
	5014 527AA	1			[BRD] [BRX]
		1			[BRF, ACR] Domestic
		1			[BRF] Export
	5014 438AA	1			[BRF] Domestic
		1			[BRA]
10	5273 038AA	2			ROTOR, Brake
11					NUT, M12, Retainer Front Rotor , (NOT SERVICED)
12	#4670 292AD	1			HUB, Wheel
-13	#5272 448AA	1			BEARING, Wheel
-14	#4668 361AD	1			RETAINER
-15	6505 982AA	3			SCREW, Hex Head, Retainer Plate Attaching
16	6506 730AA	5			STUD, Hub And Bearing
17					SENSOR, Anti-Lock Brakes
	#5273 332AC	1			Right
	#5273 333AC	1			Left
18	3420 1686	2			BOLT, Hex Flange Head, M12x1.18x35

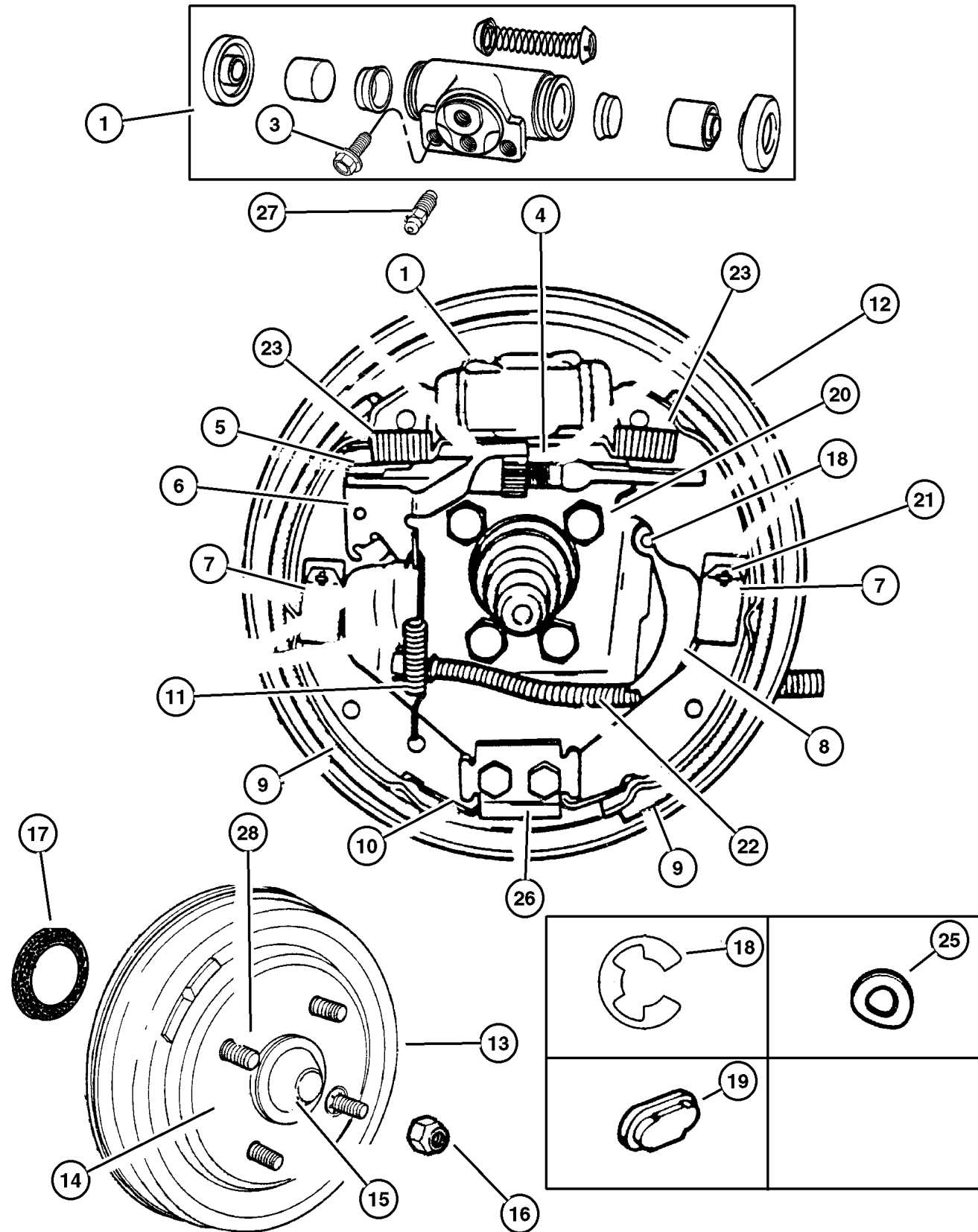
DODGE - CHRYSLER NEON (PL)

SERIES	LINE	BODY	ENGINE	TRANSMISSION
L=Low Line	Z= Chrysler, RHD	41 = 4 Door,	ECB = 2.0L 4 Cyl. , 16V SMPI	DD5 = 5 Speed Manual
H=High Line	D= Dodge	104WB	ECH = 2.0L 4 Cyl, 16V SOHC	DGL = 4 Speed Automatic
S = Special	C= Chrysler		EJD, EJO = 1.6L 4 Cyl 16v, SOHC	DG0 = All Automatics
P = Premium				DBB = All 5 Speed Manual
X = R/T				

AR = Use as required - = Non illustrated part # = New this model year

April 9, 2002

Brakes, Rear Drum
Figure 005-205



ITEM	PART NUMBER	QTY	LINE	BODY	DESCRIPTION
1	5014 425AA	1			CYLINDER, Wheel
-2					CAP, Bleeder, (NOT SERVICED)
3					BOLT, Wheel Cylinder, (NOT SERVICED)
4	4238 728	1			SOCKET, Brake Adjusting Screw
5					ADJUSTER, Parking Brake
	4762 534	1			Right
	4762 535	1			Left
6					LEVER, Park Brake Adjusting
	5014 996AA	1			Right
	5014 997AA	1			Left
7	4383 543	2			CLIP, Brake Shoe Hold Down
8					LEVER, Park Brake Adjusting
	4762 530	1			Right
	4762 531	1			Left
9	4762 537	1			SHOE KIT, Brake
10	4238 730	1			SPRING, Brake Shoe Return
11	4238 851	1			SPRING, Brake Auto Adjuster Lever
12					PLATE, Brake Backing
	5014 928AA	1			Right
	5014 929AA	1			Left
13	5273 983	2			DRUM, Brake
14					HUB AND BEARING, Brake
	4509 766	2			Right
	4509 767	2			Left
15	4509 396	2			CAP, Wheel Bearing
16	6504 266	20			NUT, Wheel, Standard
17	4509 544	2			SEAL, Brake Support
18	4238 716	1			CLIP, Parking Brake Pin Lever
19	4238 721	1			PLUG, Brake Adjusting Hole
20	6503 579	8			BOLT AND CONED WASHER, Hex Head, M10x1.5x30
21	4762 536	2			PIN, Brake Shoe Hold Down
22	4509 893AD	2			CABLE, Parking Brake
23	5015 004AA	1			SPRING, Brake Shoe Return
-24					NUT, Push Rear Drum Retainer for M12 Stud , (NOT SERVICED)
25	4238 715	1			WASHER
26					PLATE, Anchor (Service in Backing Plate) , (NOT SERVICED)
27	5014 431AA	1			SCREW, Bleeder
28	4746 174	2			STUD, Wheel

DODGE - CHRYSLER NEON (PL)

SERIES	LINE	BODY	ENGINE	TRANSMISSION
L=Low Line	Z= Chrysler, RHD	41 = 4 Door,	ECB = 2.0L 4 Cyl. , 16V SMPI	DD5 = 5 Speed Manual
H=High Line	D= Dodge	104WB	ECH = 2.0L 4 Cyl, 16V SOHC	DGL = 4 Speed Automatic
S = Special	C= Chrysler		EJD, EJ0 = 1.6L 4 Cyl 16v, SOHC	DG0 = All Automatics
P = Premium				DBB = All 5 Speed Manual
X = R/T				

AR = Use as required - = Non illustrated part # = New this model year

April 9, 2002

Brakes, Rear Disc
Figure 005-207

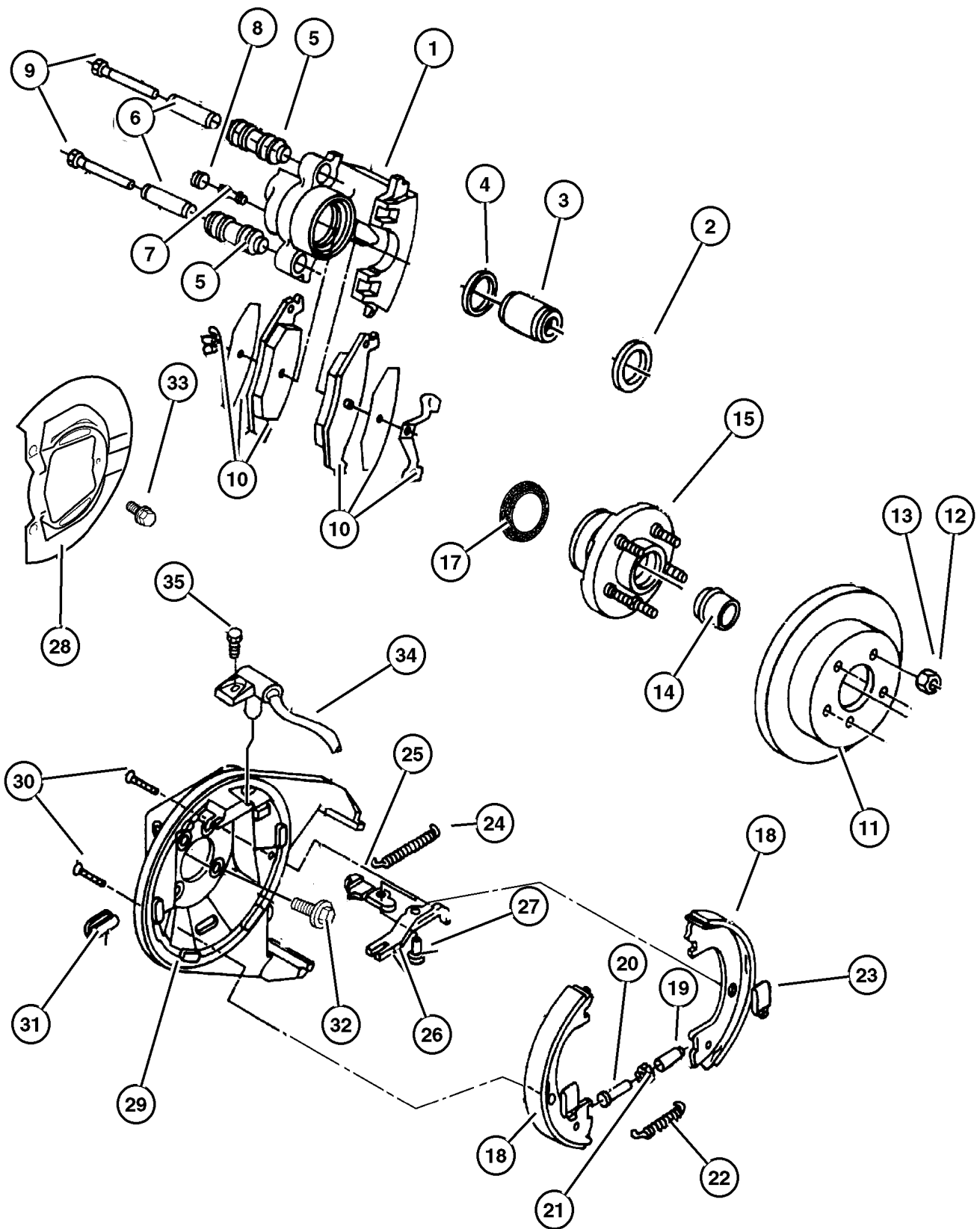
ITEM	PART NUMBER	QTY	LINE	BODY	DESCRIPTION
1					CALIPER, Disc Brake
	5014 784AA	1			Right
	5014 785AA	1			Left
2	4383 879	1			BOOT, Brake Piston
3	4383 878	1			PISTON, Brake
4	4383 880	1			SEAL, Caliper Piston
5	4383 471	1			BUSHING, Disc Brake Caliper
6	4423 573	1			SLEEVE, Disc Brake Caliper
7	5014 431AA	1			SCREW, Bleeder
8					CAP, Bleeder, (NOT SERVICED)
9	6502 527	4			BOLT, Hex Flange Head, M8-1.25x68.50
10	5011 630AA	1			PAD, Disc Brake
11	4509 553AC	2			ROTOR, Brake
12	6502 738	20			NUT, Wheel Chrome, M12x1.5
13	6504 266	20			NUT, Wheel, Standard
14	4509 396	2			CAP, Wheel Bearing
15	4509 767	2			HUB AND BEARING, Brake
-16	6502 432	2			LOCK NUT, Rear Spindle, M20-1.50
17	4509 544	2			SEAL, Brake Support
18	5073 647AA	1			SHOE AND LINING, parking Brake
19	4509 504	1			SOCKET, Brake Adjusting Screw
20	4509 503	1			SCREW, Parking Brake
21	4383 539	1			NUT, Parking Brake Adjusting
22	4383 541	1			SPRING, Park Brake Shoe Return, Lower
23	4383 543	1			CLIP, Brake Shoe Hold Down
24	5014 930AA	1			SPRING, Park Brake Shoe Return, Upper
25					LEVER, Park Brake Adjusting
	5073 645AA	1			Right
	5073 648AA	1			Left
26					LINK, Brake Cylinder, Service with Lever Item # 25, (NOT SERVICED)
27					PIN, Service with Lever Item # 25, (NOT SERVICED)
28					SHIELD, Brake
	4728 110	1			Right
	4728 111	1			Left
29					ADAPTER, Disc Brake Caliper
	4762 684	1			Right
	4762 685	1			Left
30	4238 733	2			PIN, Brake Shoe Hold Down
31	4238 721	1			PLUG, Brake Adjusting Hole
32	6503 579	8			BOLT AND CONED WASHER, Hex Head, M10x1.5x30
33	4723 981	1			SCREW, Rear Brake Dust Shield to Adapter

DODGE - CHRYSLER NEON (PL)

SERIES	LINE	BODY	ENGINE	TRANSMISSION
L=Low Line	Z= Chrysler, RHD	41 = 4 Door, 104WB	ECB = 2.0L 4 Cyl. , 16V SMPI	DD5 = 5 Speed Manual
H=High Line	D= Dodge		ECH = 2.0L 4 Cyl, 16V SOHC	DGL = 4 Speed Automatic
S = Special	C= Chrysler		EJD, EJO = 1.6L 4 Cyl 16v, SOHC	DG0 = All Automatics
P = Premium				DBB = All 5 Speed Manual
X = R/T				

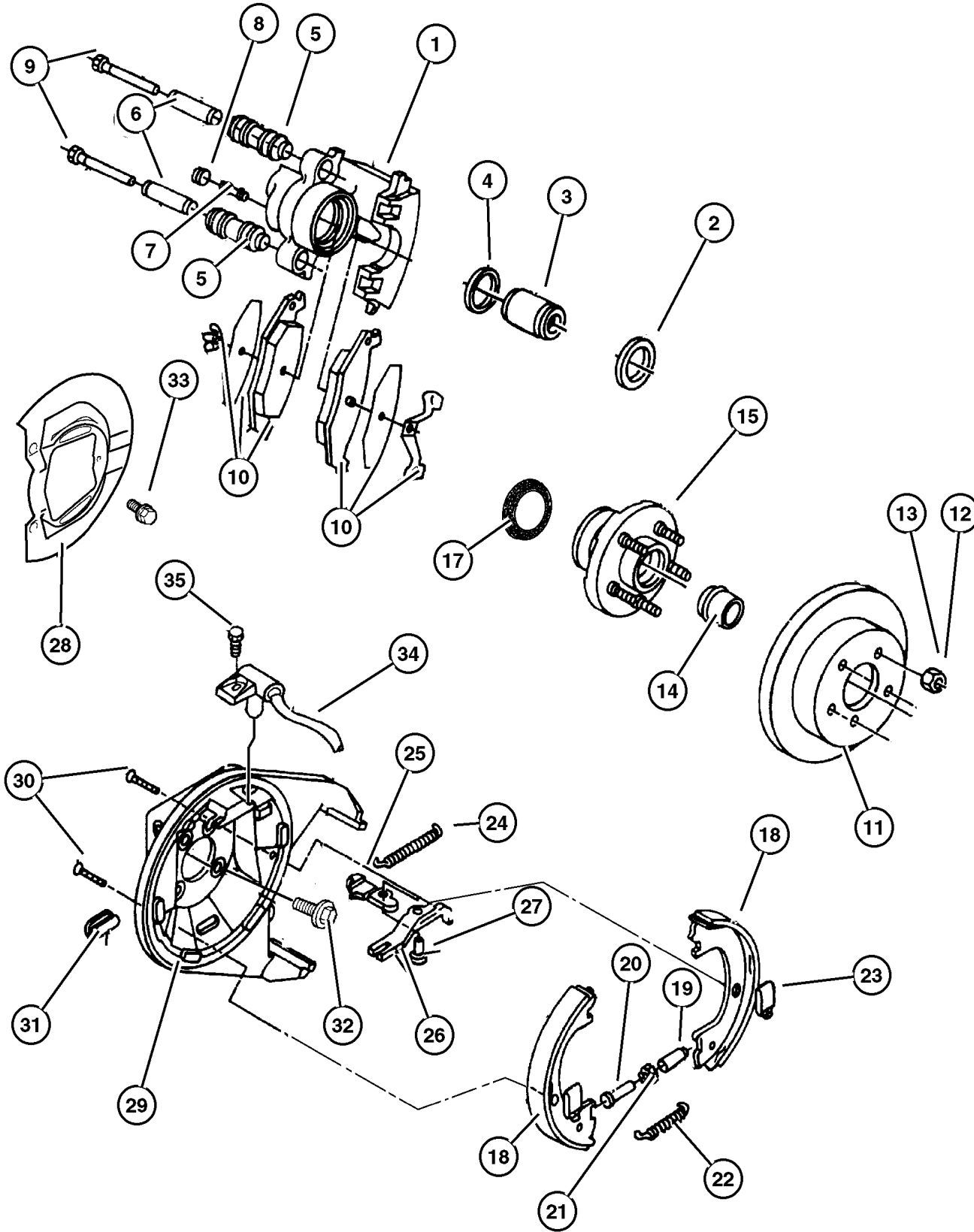
AR = Use as required - = Non illustrated part # = New this model year

April 9, 2002



Brakes, Rear Disc
Figure 005-207

ITEM	PART NUMBER	QTY	LINE	BODY	DESCRIPTION
34					SENSOR, Anti-Lock Brakes
	5273 330	1			Right
	5273 331	1			Left
35	3420 1686	2			BOLT, Hex Flange Head, M12x1.18x35, Rear Sensor



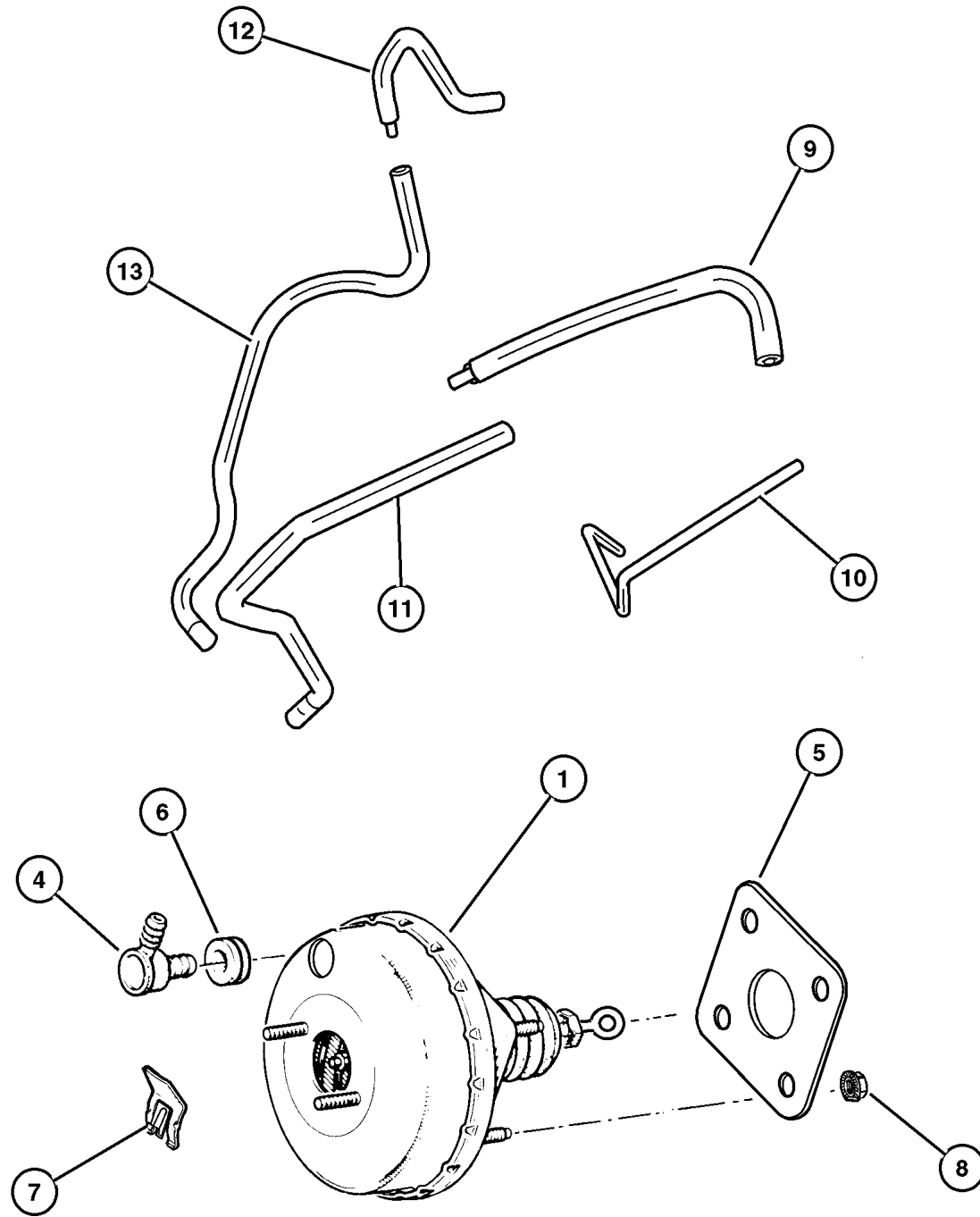
DODGE - CHRYSLER NEON (PL)

SERIES	LINE	BODY	ENGINE	TRANSMISSION
L=Low Line	Z= Chrysler, RHD	41 = 4 Door,	ECB = 2.0L 4 Cyl. , 16V SMPI	DD5 = 5 Speed Manual
H=High Line	D= Dodge	104WB	ECH = 2.0L 4 Cyl, 16V SOHC	DGL = 4 Speed Automatic
S = Special	C= Chrysler		EJD, EJO = 1.6L 4 Cyl 16v, SOHC	DG0 = All Automatics
P = Premium				DBB = All 5 Speed Manual
X = R/T				

AR = Use as required - = Non illustrated part # = New this model year

April 9, 2002

**Booster, Power Brake
Figure 005-305**



ITEM	PART NUMBER	QTY	LINE	BODY	DESCRIPTION
1					BOOSTER, Power Brake
	5015 157AA	1	C, D		[BRA, BRX]
		1			[BRF] Export Only
	5015 158AA	1			[BRF], All Markets Except Export
		1	C, D		[BRD]
-2					CONNECTOR, Brake Booster Vacuum, (NOT REQUIRED)
-3					CONNECTOR, Manifold Vacuum, (NOT REQUIRED)
4	4796 355	1			VALVE, Brake Booster Check
5	4668 671AA	1	C, D		GASKET, Booster To Dash
6	4883 813AA	1			GROMMET, Brake Booster Check Valve
7	6035 334	1			CLIP, Brake Push Rod
8	6101 445	4			NUT AND WASHER, Hex Nut-Coned Washer, M8 x 1.25, Brake Booster Mounting
9	5080 778AA	1	C, D		HOSE PACKAGE, Brake Line, [ECB]
10	5273 135AB	1			HOSE, Brake Booster, [ECH]
11	5273 974AA	1			HOSE, Brake Booster, Connects to Manifold [EJD], Export
12	4509 706AD	1	Z		HOSE, Brake Booster Vacuum, Booster to Connector
13	5273 975AA	1	Z		HOSE, Brake Booster Vacuum, Connects to Manifold

DODGE - CHRYSLER NEON (PL)

SERIES	LINE	BODY	ENGINE	TRANSMISSION
L=Low Line	Z= Chrysler, RHD	41 = 4 Door, 104WB	ECB = 2.0L 4 Cyl. , 16V SMPI	DD5 = 5 Speed Manual
H=High Line	D= Dodge		ECH = 2.0L 4 Cyl, 16V SOHC	DGL = 4 Speed Automatic
S = Special	C= Chrysler		EJD, EJ0 = 1.6L 4 Cyl 16v, SOHC	DG0 = All Automatics
P = Premium				DBB = All 5 Speed Manual
X = R/T				

AR = Use as required - = Non illustrated part # = New this model year

April 9, 2002

**Master Cylinder
Figure 005-405**

ITEM	PART NUMBER	QTY	LINE	BODY	DESCRIPTION
------	-------------	-----	------	------	-------------

NOTE: Sales Codes

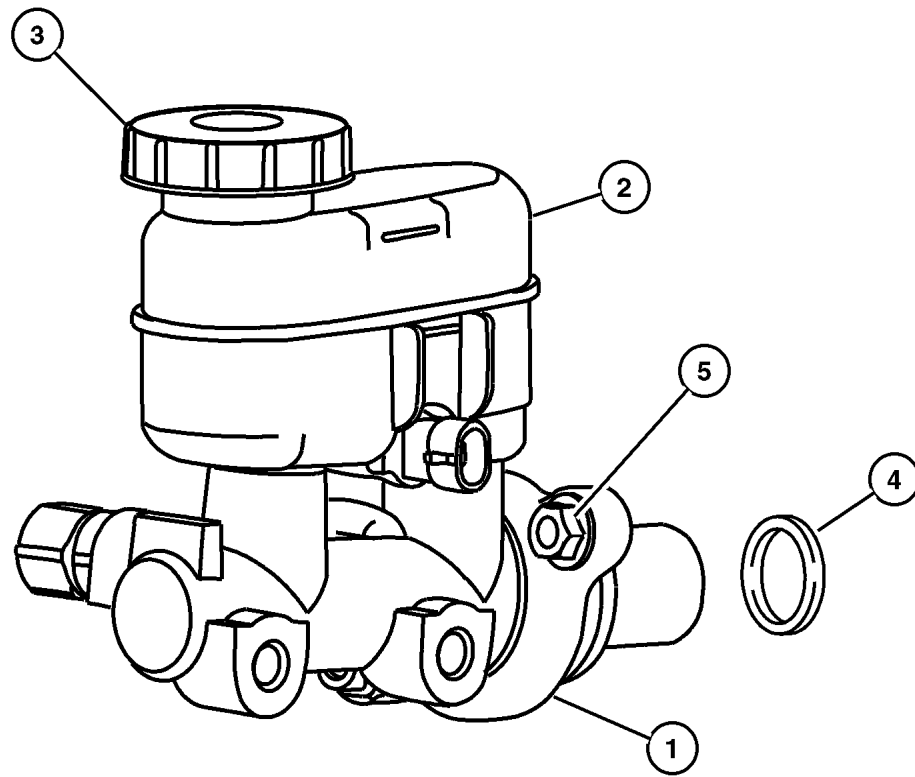
[BRA]=POWER FRONT DISC/REAR DRUM

[BRD]= 4-WHEEL DISC

[BRF]=ANTI-LOCK 4-WHEEL-DISC

[BRX]= FRONT DISC/REAR DRUM

1					MASTER CYLINDER, Brake
	5069 001AA	1	C, D		[BRD]
	5015 160AA	1			[BRF]
	5015 224AA	1			[BRF] Export
	5015 159AA	1			[BRX]
	5015 149AA	1	C, D		[BRA]
2	5015 150AA	1			RESERVOIR, Brake Master Cylinder
3	4683 656	1			CAP, Master Cylinder Reservoir
4	4723 395	1			SEAL, Master Cylinder To Booster
5					NUT, (NOT SERVICED)



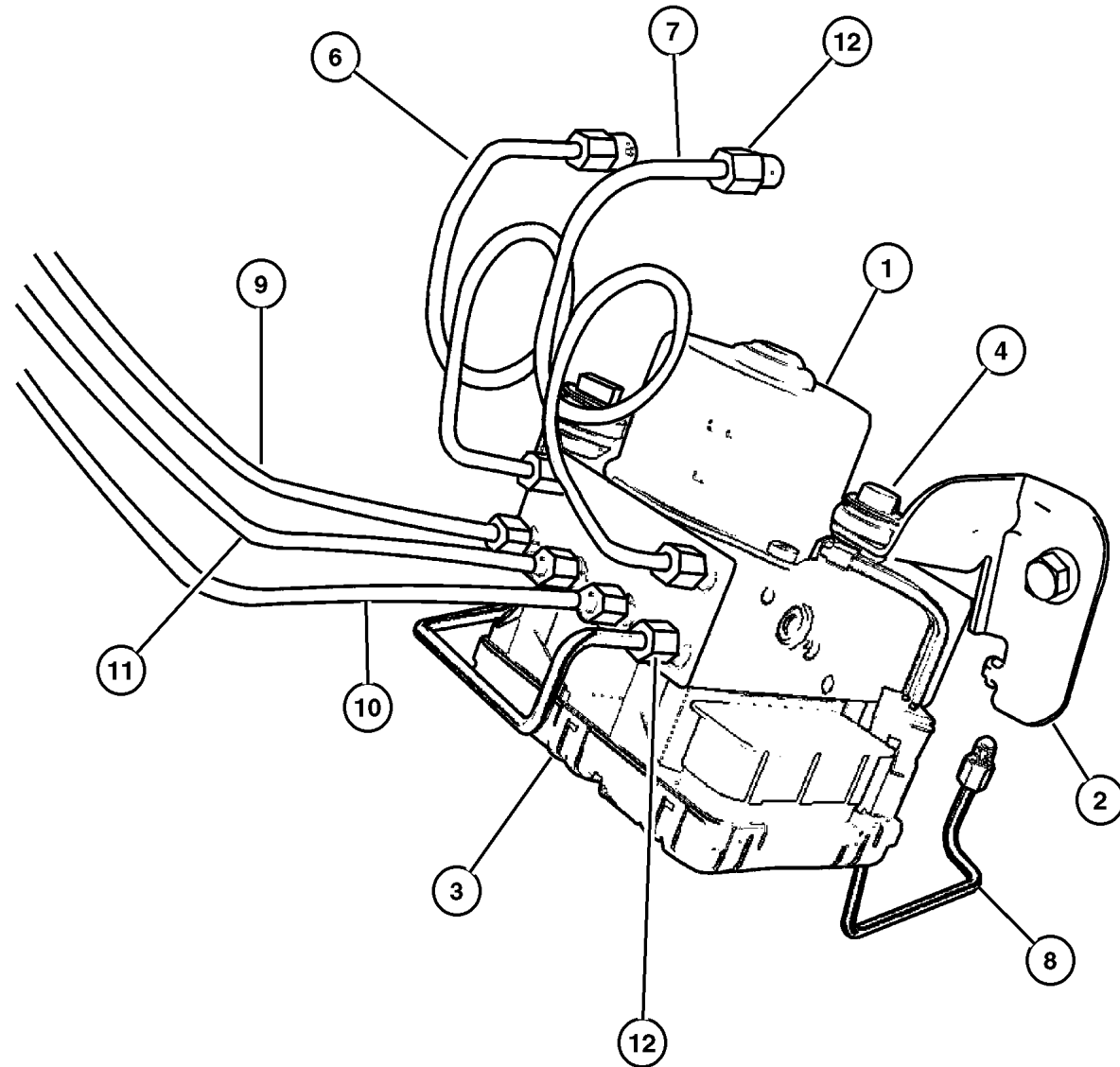
DODGE - CHRYSLER NEON (PL)

SERIES	LINE	BODY	ENGINE	TRANSMISSION
L=Low Line	Z= Chrysler, RHD	41 = 4 Door,	ECB = 2.0L 4 Cyl. , 16V SMPI	DD5 = 5 Speed Manual
H=High Line	D= Dodge	104WB	ECH = 2.0L 4 Cyl, 16V SOHC	DGL = 4 Speed Automatic
S = Special	C= Chrysler		EJD, EJ0 = 1.6L 4 Cyl 16v, SOHC	DG0 = All Automatics
P = Premium				DBB = All 5 Speed Manual
X = R/T				

AR = Use as required - = Non illustrated part # = New this model year

April 9, 2002

**Anti-Lock Brake Control
Figure 005-410**



ITEM	PART NUMBER	QTY	LINE	BODY	DESCRIPTION
1	5014 869AA	1			HYDRAULIC CONTROL UNIT, Anti-Lock Brake System
2	5014 870AA	1			BRACKET, Brake Control Unit
3	#5072 662AA	1			MODULE, Anti-Lock Brake System
4	6102 150AA	3			SCREW, Tapping, Intergrated Control Unit Attaching M8x1.25x30.00
-5	5072 661AA	4			SCREW, Hydraulic Unit to Module Attaching
6					TUBE, Brake
	4509 780AB	1	C, D		Master Cylinder To HCU, Primary
	4509 834AB	1	Z		Master Cylinder To HCU, Primary
7					TUBE, Brake
	4509 776AC	1	C, D		Master Cylinder To HCU, Secondary
	4509 825AC	1	Z		Master Cylinder To HCU, Secondary
8	4509 781AG	1			TUBE, Brake, To Brake Hose, Front Left
9					TUBE, Brake, Rt Front
	5066 868AA	1	C, D		
	5066 876AA	1	Z		
10					TUBE, Brake, Rt Rear
	5066 869AA	1	C, D		
	5066 877AA	1	Z		
11					TUBE, Brake, Lt Rear
	5066 870AA	1	C, D		
	5066 878AA	1	Z		
12					NUT, Brake Tubing
	6036 125AA	3	Z		[.375-24x850]
		3	C, D		[.375-24x850]
	6036 126AA	2	Z		[.437-24x825]
		3	C, D		[.437-24x825]
	6036 157AA	2	Z		[.375-24x.70]
		2	C, D		[.375-24x.70]

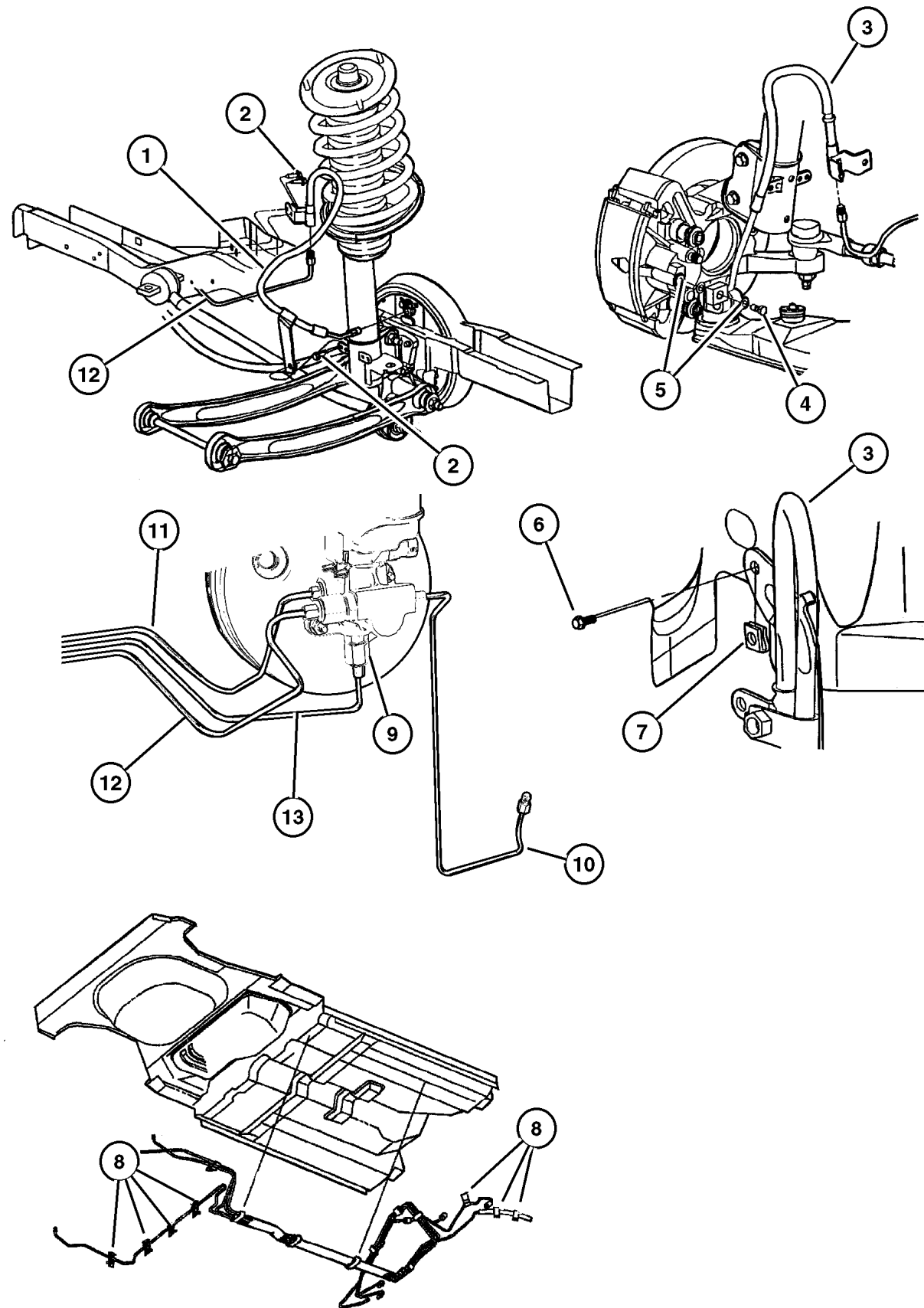
DODGE - CHRYSLER NEON (PL)

SERIES	LINE	BODY	ENGINE	TRANSMISSION
L=Low Line	Z= Chrysler, RHD	41 = 4 Door,	ECB = 2.0L 4 Cyl. , 16V SMPI	DD5 = 5 Speed Manual
H=High Line	D= Dodge	104WB	ECH = 2.0L 4 Cyl, 16V SOHC	DGL = 4 Speed Automatic
S = Special	C= Chrysler		EJD, EJO = 1.6L 4 Cyl 16v, SOHC	DG0 = All Automatics
P = Premium				DBB = All 5 Speed Manual
X = R/T				

AR = Use as required - = Non illustrated part # = New this model year

April 9, 2002

Lines and Hoses, Brake Without Anti-Lock Brakes Figure 005-505



ITEM	PART NUMBER	QTY	LINE	BODY	DESCRIPTION
Sales code:					
[BRA]=POWER FRONT DISC/REAR DRUM					
[BRD]=4-WHEEL DISC					
[BRX]=FRONT DISC/REAR DRUM					
1					HOSE, Brake
	4509 802AC	1			Right Rear
	4509 803AC	1			Left Rear
2	6505 344AA	4			SCREW, Hex Flange Head Tapping, M6.3 x 1.81 x 20.00, Rear Brake Hose Attaching
3					HOSE, Brake
	4509 794AB	1			Right Front
	4509 795AB	1			Left Front
4	6505 801AA	2			BOLT, Banjo
5	6502 114	4			WASHER, Brake Hose
6	3420 1686	2			BOLT, Hex Flange Head, M12x1.18x35
7	6101 712	2			NUT, U, M6x1
8					CLIP, Fuel Tube
	5278 179AB	1	Z		Dash 7-Tube Dash
		1	C, D		Dash 7-Tube Dash
	5278 180AC	4	Z		Underbody 5-Tube
		4	C, D		Underbody 5-Tube
	5278 181AA	2	Z		Rear Rail 3-Tube
		2	C, D		Rear Rail 3-Tube
	5278 182AB	1	C, D		Dash 4-Tube
	4495 636	4	Z		Rail/Pickup 2-Tube
		4	C, D		Rail/Pickup 2-Tube
9					VALVE, Proportioning
	5015 181AA	1	C, D		[BRA]
	5015 182AA	1			[BRX]
		1	C, D		[BRD]
10					TUBE, Brake
	4509 847AD	1	Z		Left Front
	4509 779AC	1	C, D		Left Front
11					TUBE, Brake, Rt Front
	4509 856AD	1	Z		
	5066 871AA	1	C, D		
12					TUBE, Brake, Rt Rear
	5066 874AA	1	Z		
	5066 872AA	1	C, D		
13					TUBE, Brake, Lt Rear
	5066 875AA	1	Z		

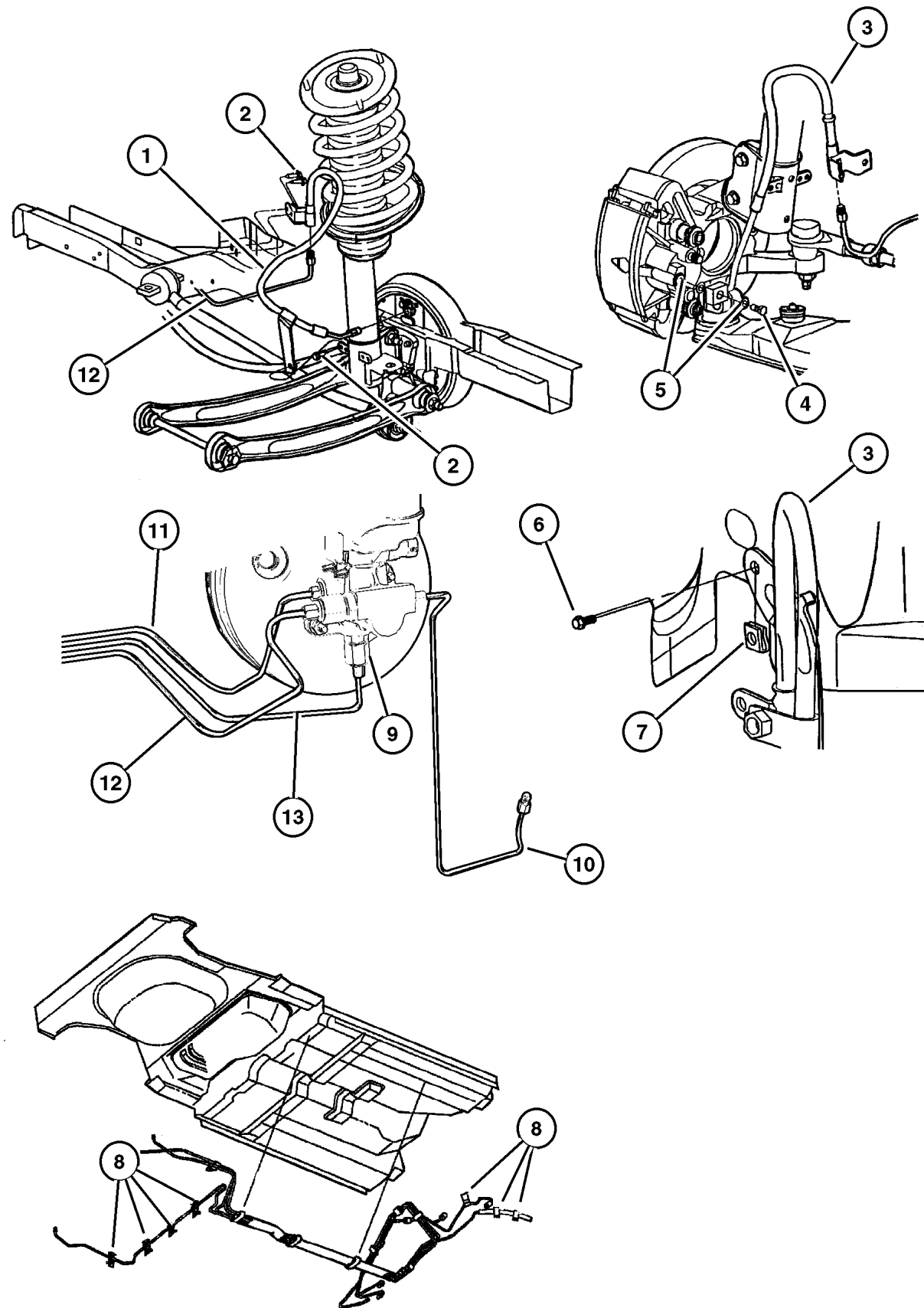
DODGE - CHRYSLER NEON (PL)

SERIES	LINE	BODY	ENGINE	TRANSMISSION
L=Low Line	Z= Chrysler, RHD	41 = 4 Door, 104WB	ECB = 2.0L 4 Cyl. , 16V SMPI	DD5 = 5 Speed Manual
H=High Line	D= Dodge		ECH = 2.0L 4 Cyl, 16V SOHC	DGL = 4 Speed Automatic
S = Special	C= Chrysler		EJD, EJO = 1.6L 4 Cyl 16v, SOHC	DG0 = All Automatics
P = Premium				DBB = All 5 Speed Manual
X = R/T				

AR = Use as required - = Non illustrated part # = New this model year

April 9, 2002

**Lines and Hoses, Brake Without Anti-Lock Brakes
Figure 005-505**



ITEM	PART NUMBER	QTY	LINE	BODY	DESCRIPTION
	5066 873AA	1	C, D		
-14					NUT
	6036 125AA	3	Z		Tubing .375-24x.850
		1	Z		Tubing .375-24x.850
		1	C, D		Tubing .375-24x.850
	6036 126AA	3	C, D		Tubing .375-24x.850
		1	Z		Tubing .437-24x.825
		2	Z		Tubing .437-24x.825
		1	C, D		Tubing .437-24x.825
		3	C, D		Tubing .437-24x.825

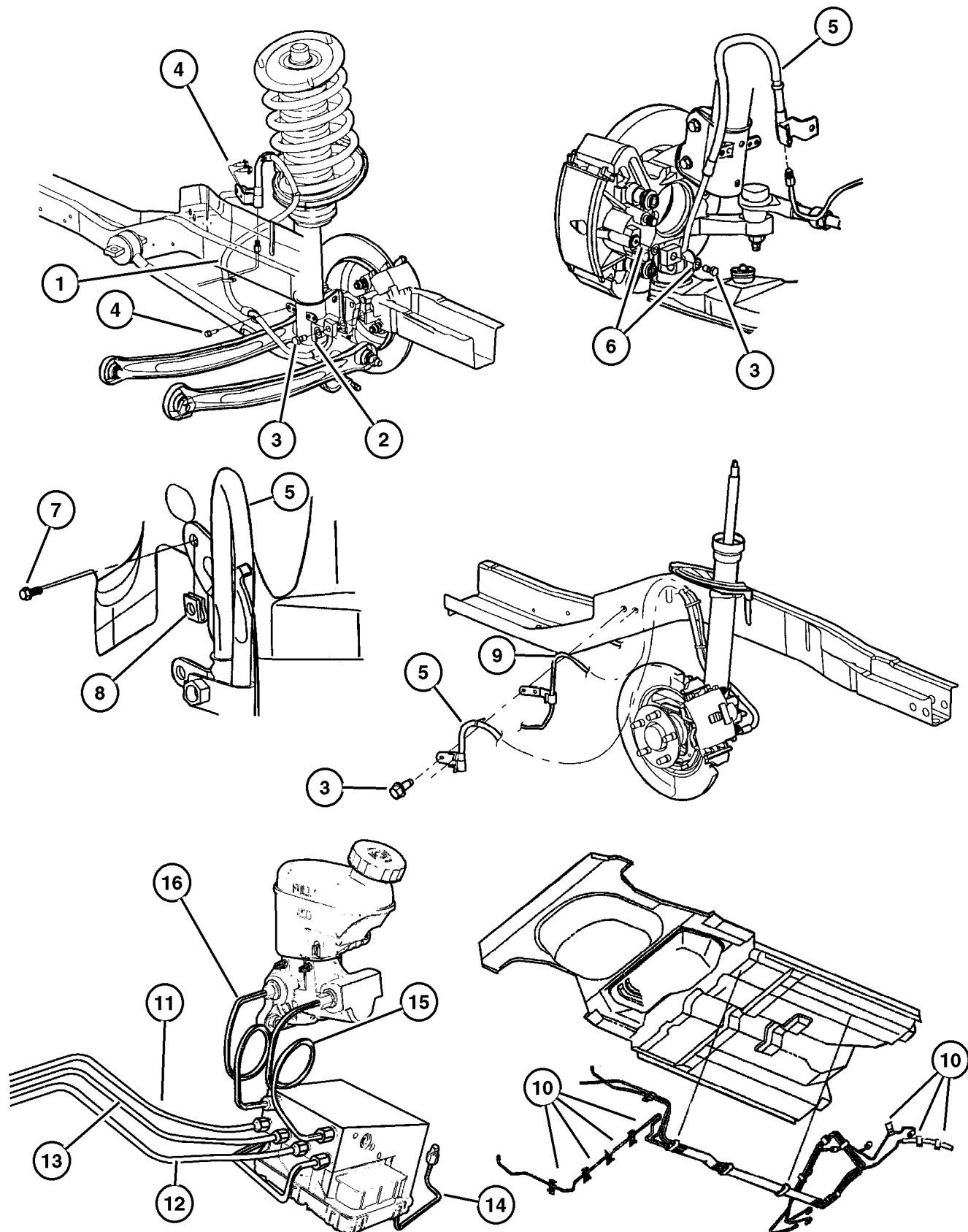
DODGE - CHRYSLER NEON (PL)

SERIES	LINE	BODY	ENGINE	TRANSMISSION
L=Low Line	Z= Chrysler, RHD	41 = 4 Door,	ECB = 2.0L 4 Cyl. , 16V SMPI	DD5 = 5 Speed Manual
H=High Line	D= Dodge	104WB	ECH = 2.0L 4 Cyl, 16V SOHC	DGL = 4 Speed Automatic
S = Special	C= Chrysler		EJD, EJ0 = 1.6L 4 Cyl 16v, SOHC	DG0 = All Automatics
P = Premium				DBB = All 5 Speed Manual
X = R/T				

AR = Use as required - = Non illustrated part # = New this model year

April 9, 2002

Lines and Hoses, Brake With Anti-Lock Brakes
Figure 005-545



ITEM	PART NUMBER	QTY	LINE	BODY	DESCRIPTION
1					HOSE, Brake
	4509 808AC	1			Right Rear
	4509 809AC	1			Left Rear
2	6502 114	4			WASHER, Brake Hose
3	6505 801AA	2			BOLT, Banjo
4	6505 344AA	4			SCREW, Hex Flange Head Tapping, M6.3 x 1.81 x 20.00
5					HOSE, Brake
	4860 044AB	1			Right Front
	4860 045AB	1			Left Front
6	6502 114	4			WASHER, Brake Hose
7	3420 1686	2			BOLT, Hex Flange Head, M12x1.18x35
8	6101 712	2			NUT, U, M6x1
9					SENSOR, Anti-Lock Brakes
	5273 330	1			Right,Rear
	5273 331	1			Left,Rear
10					CLIP, Fuel Tube
	4495 636	4	Z		Rail/Pickup 2-Tube
		4	C, D		Rail/Pickup 2-Tube
	5278 179AB	1	Z		Dash 7-Tube
		1	C, D		Dash 7-Tube
	5278 180AC	4	Z		Underbody 5-Tube
		4	C, D		Underbody 5-Tube
	5278 181AA	2	Z		Rear Rail 3-Tube
		2	C, D		Rear Rail 3-Tube
	5278 182AB	1	C, D		Dash 4-Tube
11					TUBE, Brake, Rt Front
	5066 868AA	1	C, D		
	5066 876AA	1	Z		
12					TUBE, Brake, Rt Rear
	5066 869AA	1	C, D		
	5066 877AA	1	Z		
13					TUBE, Brake, Lt Rear
	5066 870AA	1	C, D		
	5066 878AA	1	Z		
14	4509 781AG	1			TUBE, Brake
15					TUBE, Brake
	4509 776AC	1	C, D		Secondary
	4509 825AC	1	Z		Secondary
16					TUBE, Brake
	4509 780AB	1	C, D		Primary
	4509 834AB	1	Z		Primary

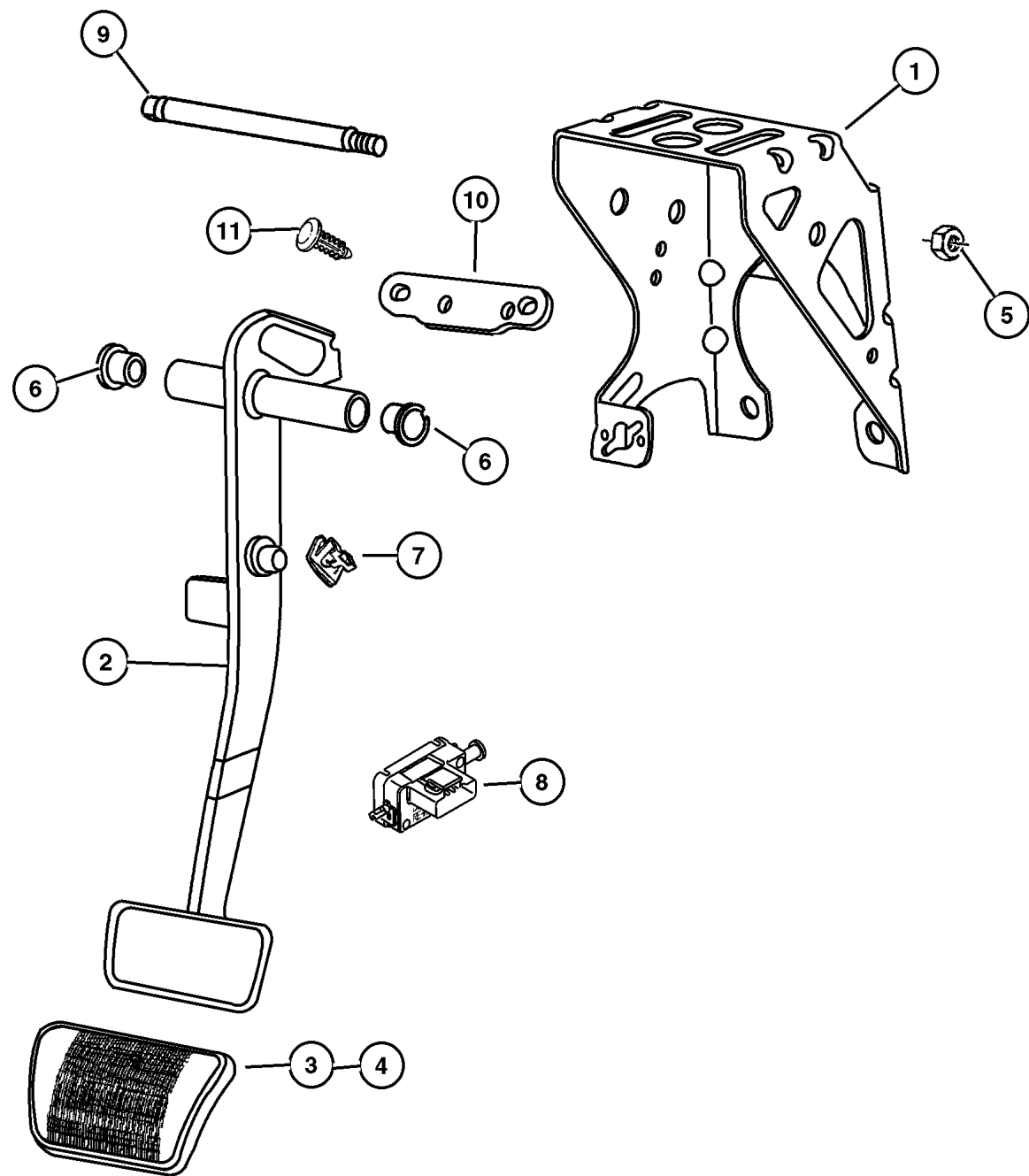
DODGE - CHRYSLER NEON (PL)

SERIES	LINE	BODY	ENGINE	TRANSMISSION
L=Low Line	Z= Chrysler, RHD	41 = 4 Door,	ECB = 2.0L 4 Cyl. , 16V SMPI	DD5 = 5 Speed Manual
H=High Line	D= Dodge	104WB	ECH = 2.0L 4 Cyl, 16V SOHC	DGL = 4 Speed Automatic
S = Special	C= Chrysler		EJD, EJO = 1.6L 4 Cyl 16v, SOHC	DG0 = All Automatics
P = Premium				DBB = All 5 Speed Manual
X = R/T				

AR = Use as required - = Non illustrated part # = New this model year

April 9, 2002

Pedal, Brake
Figure 005-605



ITEM	PART NUMBER	QTY	LINE	BODY	DESCRIPTION
1	5273 102AA	1	C, D		BRACKET, Brake Pedal
2					PEDAL, Brake
	4509 770	1	C, D		Manual Transmission
	4509 772	1	C, D		Automatic Transmission
	4509 843AA	1	Z		Automatic Transmission
	4509 846AA	1	Z		Manual Transmission
3					PAD, Pedal
	4779 027	1	C, D		Automatic Transmission
		1	Z		Automatic Transmission
4					PAD, clutch
	4683 021	1	Z		Also Brake Pad, Manual Transmission
		1	C, D		Also Brake Pad, Manual Transmission
5					NUT, M10x1.5
	6500 197	1	C, D		
		1	Z		
6					BUSHING, Pedal Shaft
	2467 770	2	C, D		Automatic Transmission
		4	C, D		Manual Transmission
		2	Z		Automatic Transmission
		4	Z		Manual Transmission
7	6035 334	1			CLIP, Brake Push Rod
8	56045 043AE	1			SWITCH, Stop Lamp
9					SHAFT, Brake Pedal Pivot
	4683 022	1	C, D		Automatic Transmission
		1	Z		Automatic Transmission
	5273 101AA	1	C, D		Manual Transmission
	4860 014AA	1	Z		Manual Transmission
10					BRACKET, Brake Pedal
	4860 035AA	1	C, D		
		1	Z		
11					PIN, Push, M8.6x19
	6504 043	2	C, D		
		2	Z		

DODGE - CHRYSLER NEON (PL)

SERIES	LINE	BODY	ENGINE	TRANSMISSION
L=Low Line	Z= Chrysler, RHD	41 = 4 Door,	ECB = 2.0L 4 Cyl. , 16V SMPI	DD5 = 5 Speed Manual
H=High Line	D= Dodge	104WB	ECH = 2.0L 4 Cyl, 16V SOHC	DGL = 4 Speed Automatic
S = Special	C= Chrysler		EJD, EJ0 = 1.6L 4 Cyl 16v, SOHC	DG0 = All Automatics
P = Premium				DBB = All 5 Speed Manual
X = R/T				

AR = Use as required - = Non illustrated part # = New this model year

April 9, 2002

Group – 006

Clutch

GROUP 6 - Clutch

Illustration Title

Group-Fig. No.

Clutch

Modular Clutch [ECB & ECH] Fig. 006-110

Clutch & Disc [EJD] Fig. 006-120

Clutch Housing

Clutch Housing and Mounting Bolts Fig. 006-210

Clutch Controls

Clutch Release Fork & Bearing Fig. 006-310

Hydraulic Clutch, Master Cylinder Left Hand Drive Fig. 006-320

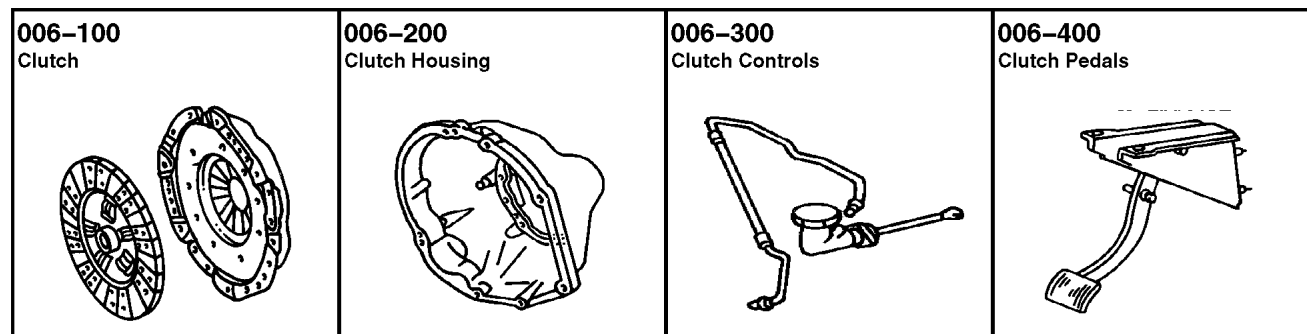
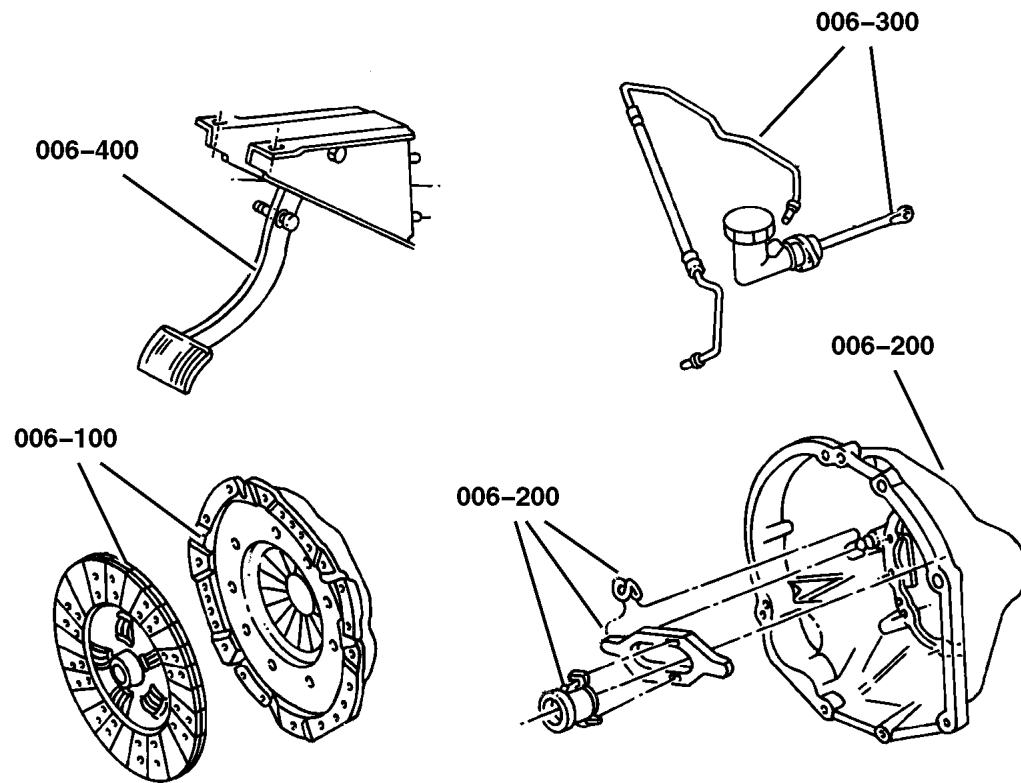
Hydraulic Clutch, Master Cylinder Right Hand Drive Fig. 006-330

Slave Cylinder Fig. 006-340

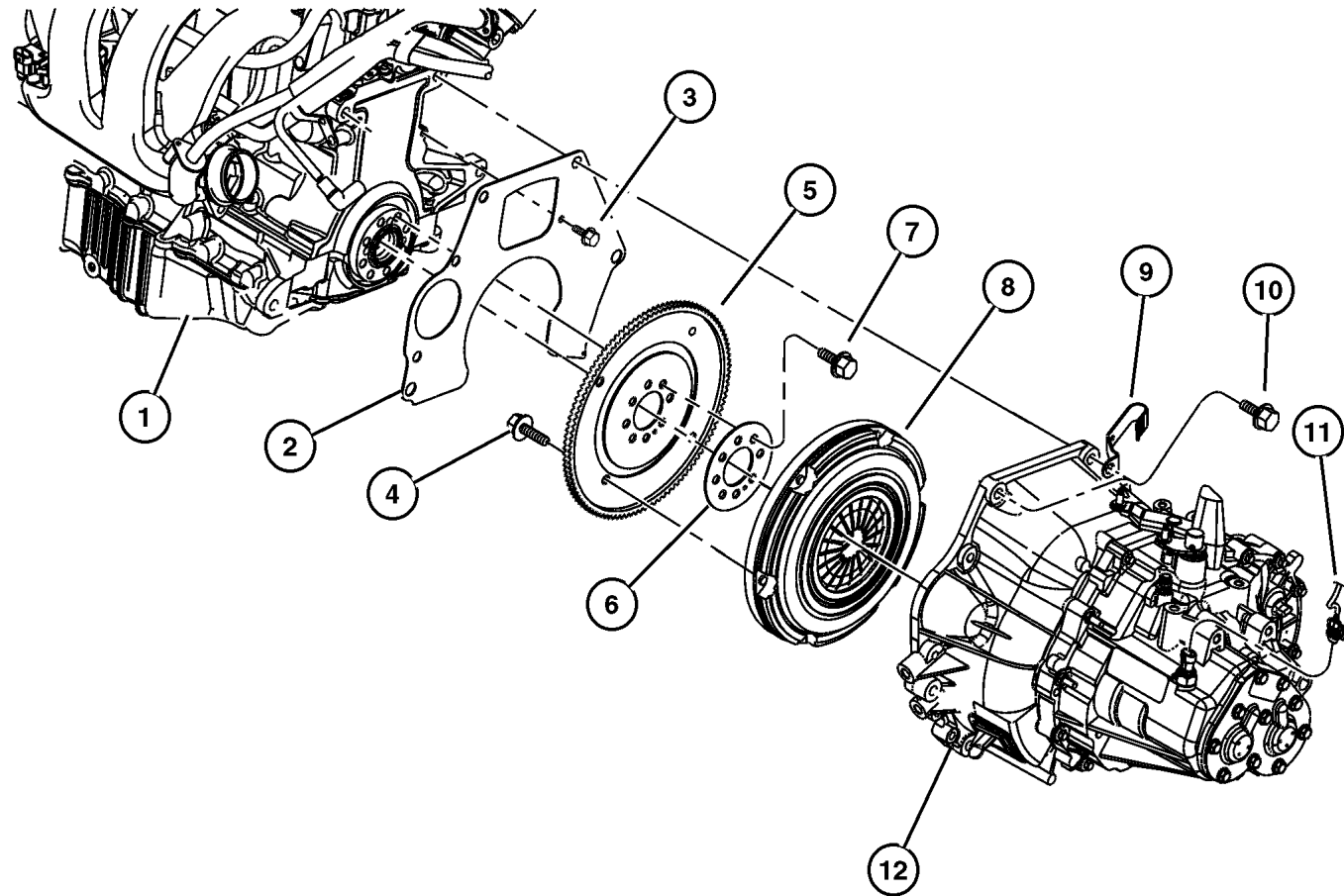
Clutch Pedals

Clutch & Brake Pedal Left Hand Drive - [DD5] Fig. 006-410

Clutch & Brake Pedal Right Hand Drive - [DD5] Fig. 006-420



**Modular Clutch [ECB & ECH]
Figure 006-110**



ITEM	PART NUMBER	QTY	LINE	ENGINE	TRANS	DESCRIPTION
NOTE:						
Sales Codes:						
[ECB]=2.0L 4 Cylinder 16-V SOHC Engine						
[ECH]=2.0L 4 Cylinder 16-V SOHC High Output Engine						
[DD5]=5 Speed Manual Transmission - A578						
1						ENGINE, Complete, See Engine Group, (NOT SERVICED)
2	4668 672AA	1		ECB, ECH	DD5	COVER, Transmission Dust
3						SCREW AND WASHER, Hex Head, M6x1x16
	6501 755	1		ECB	DD5	
		1		ECH	DD5	
4	6504 383	4		ECB, ECH	DD5	BOLT, Hex Head, M10x1.50 x 13.20
5	4567 143	1		ECB, ECH	DD5	PLATE, Drive Plate
6	4471 933	1		ECB, ECH	DD5	PLATE, Drive Plate Backing
7	6503 465	8		ECB, ECH	DD5	BOLT, Drive Plate and Flywheel
8	4668 400AD	1		ECB, ECH	DD5	CLUTCH, Modular
9	4608 404	1				CLIP, Transaxle
10	6501 742	3		ECB, ECH	DD5	SCREW, Hex Head, M12x1.75x50
11						WIRING, Headlamp to Dash, See Electrical Group, (NOT SERVICED)
12						TRANSMISSION, 5 Speed, See Transmission Group, (NOT SERVICED)

DODGE - CHRYSLER NEON (PL)

SERIES	LINE	BODY	ENGINE	TRANSMISSION
L=Low Line	Z= Chrysler, RHD	41 = 4 Door, 104WB	ECB = 2.0L 4 Cyl. , 16V SMPI	DD5 = 5 Speed Manual
H=High Line	D= Dodge		ECH = 2.0L 4 Cyl, 16V SOHC	DGL = 4 Speed Automatic
S = Special	C= Chrysler		EJD, EJ0 = 1.6L 4 Cyl 16v, SOHC	DG0 = All Automatics
P = Premium				DBB = All 5 Speed Manual
X = R/T				

AR = Use as required - = Non illustrated part # = New this model year

April 9, 2002

Clutch & Disc [EJD] Figure 006-120

ITEM	PART NUMBER	QTY	LINE	ENGINE	TRANS	DESCRIPTION
------	-------------	-----	------	--------	-------	-------------

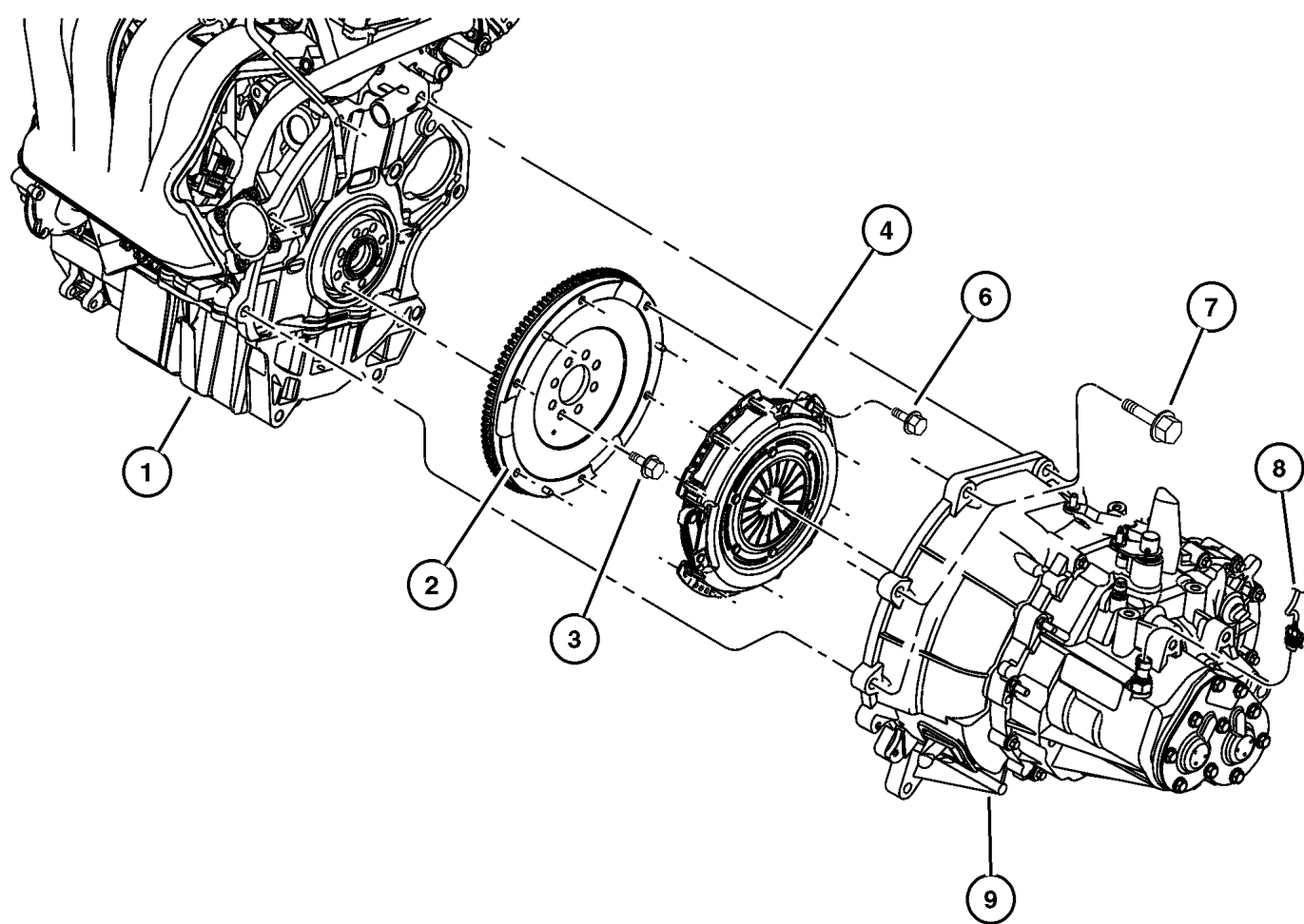
NOTE:

Sales Codes:

[EJD]=1.6L 4 Cylinder SOHC 16-V Engine

[DD5]=5 Speed Manual Transmission - A578

1						ENGINE, Complete, See Engine Group, (NOT SERVICED)
2	#4668 504AA	1		EJD	DD5	FLYWHEEL
3	6503 464	8		EJD	DD5	BOLT, Flywheel
4	#4668 608AA	1		EJD	DD5	PLATE, Clutch Pressure, Incudes Disc & Preasure Plate
-5	#4668 503AA	1		EJD	DD5	DISC, Clutch
6	6101 727	6		EJD	DD5	BOLT, Hex Head
7	6501 742	3		EJD	DD5	SCREW, Hex Head, M12x1.75x50
8						WIRING, Headlamp to Dash, See Electrical Group, (NOT SERVICED)
9						TRANSMISSION, 5 Speed, See Transmission Group, (NOT SERVICED)



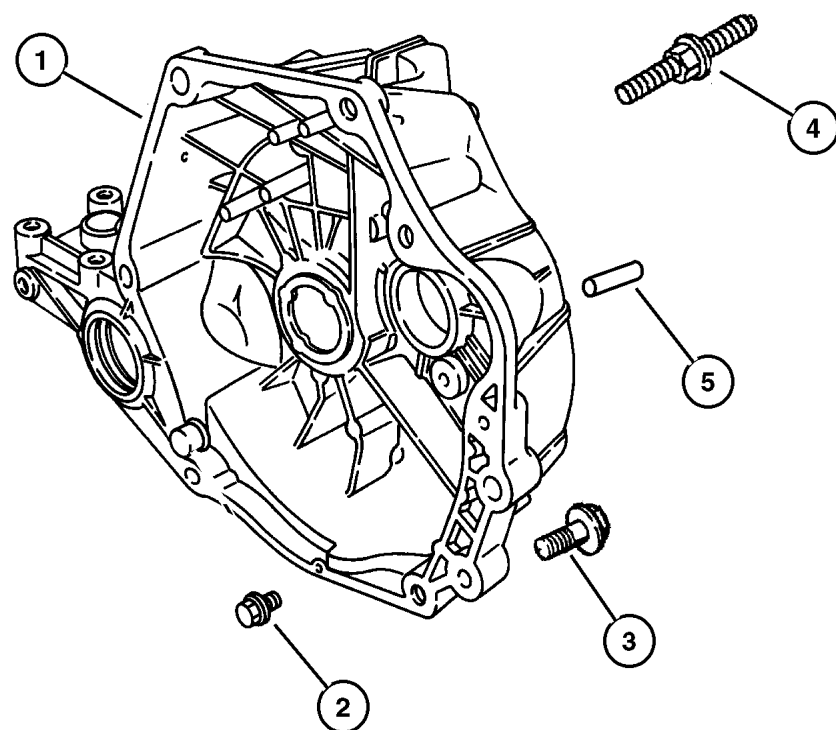
DODGE - CHRYSLER NEON (PL)

SERIES	LINE	BODY	ENGINE	TRANSMISSION
L=Low Line	Z= Chrysler, RHD	41 = 4 Door,	ECB = 2.0L 4 Cyl. , 16V SMPI	DD5 = 5 Speed Manual
H=High Line	D= Dodge	104WB	ECH = 2.0L 4 Cyl, 16V SOHC	DGL = 4 Speed Automatic
S = Special	C= Chrysler		EJD, EJ0 = 1.6L 4 Cyl 16v, SOHC	DG0 = All Automatics
P = Premium				DBB = All 5 Speed Manual
X = R/T				

AR = Use as required - = Non illustrated part # = New this model year

April 9, 2002

Clutch Housing and Mounting Bolts Figure 006-210



ITEM	PART NUMBER	QTY	LINE	ENGINE	TRANS	DESCRIPTION
------	-------------	-----	------	--------	-------	-------------

Note: Sales Codes

[DD5]= 5 Speed Manual Transmissions

[EJD] = 1.6L 4 Cylinder SOHC 16V SMPI

[ECB] = 2.0L 4 Cylinder SOHC 16V SMPI

[ECH] = 2.0L 4 Cylinder SOHC 16V Hi Performance

1						HOUSING, Clutch
	5071 706AA	1		EJD	DD5	
	5016 237AA	1		ECB	DD5	
		1		ECH	DD5	
2						SCREW AND WASHER, Hex Head, M6x1x16
	6501 755	2		EJD	DD5	
		1		ECB	DD5	
		1		ECH	DD5	
3	6501 742	3			DD5	SCREW, Hex Head, M12x1.75x50
4	6505 314AA	2		EJD		STUD
		2		ECB		
		2		ECH		
5						PIN, Locating
	4761 099	2		EJD	DD5	
		2		ECB	DD5	
		1		ECH	DD5	

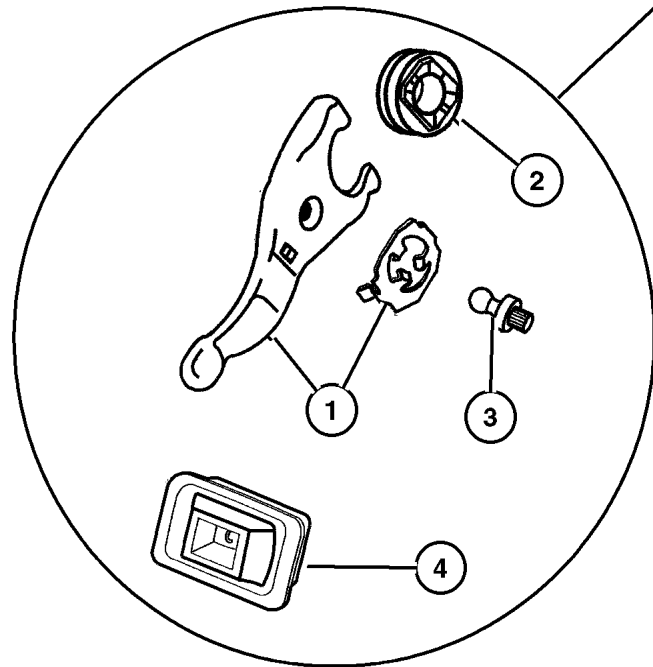
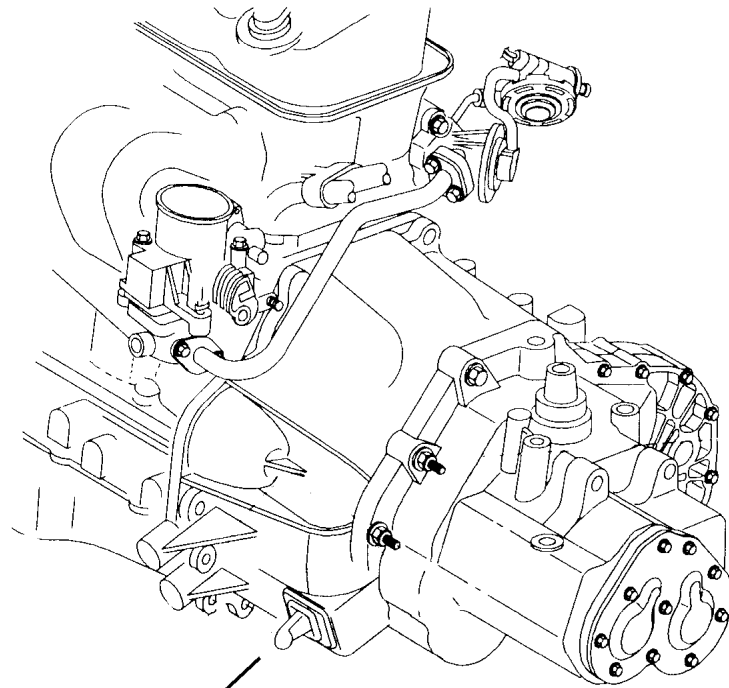
DODGE - CHRYSLER NEON (PL)

SERIES	LINE	BODY	ENGINE	TRANSMISSION
L=Low Line	Z= Chrysler, RHD	41 = 4 Door,	ECB = 2.0L 4 Cyl. , 16V SMPI	DD5 = 5 Speed Manual
H=High Line	D= Dodge	104WB	ECH = 2.0L 4 Cyl, 16V SOHC	DGL = 4 Speed Automatic
S = Special	C= Chrysler		EJD, EJ0 = 1.6L 4 Cyl 16v, SOHC	DG0 = All Automatics
P = Premium				DBB = All 5 Speed Manual
X = R/T				

AR = Use as required - = Non illustrated part # = New this model year

April 9, 2002

Clutch Release Fork & Bearing Figure 006-310



ITEM	PART NUMBER	QTY	LINE	ENGINE	TRANS	DESCRIPTION
Note: Sales Codes						
[DD5] = 5 Speed Manual Transmissions						
[EJD] = 1.6L 4 Cylinder SOHC 16V SMPI						
[ECB] = 2.0L 4 Cylinder SOHC 16V SMPI						
[ECH] = 2.0L 4 Cylinder SOHC 16V Hi Performance						
1						LEVER PACKAGE, Clutch Release
	4796 665	1		EJD	DD5	
		1		ECB	DD5	
		1		ECH	DD5	
2						BEARING, Clutch Release
	4670 026AB	1		EJD	DD5	
		1		ECB	DD5	
		1		ECH	DD5	
3						PIVOT, Clutch Release Lever
	4670 240	1		EJD	DD5	
		1		ECB	DD5	
		1		ECH	DD5	
4						BOOT, Clutch Release Lever
	4670 071	1		EJD	DD5	
		1		ECB	DD5	
		1		ECH	DD5	

DODGE - CHRYSLER NEON (PL)

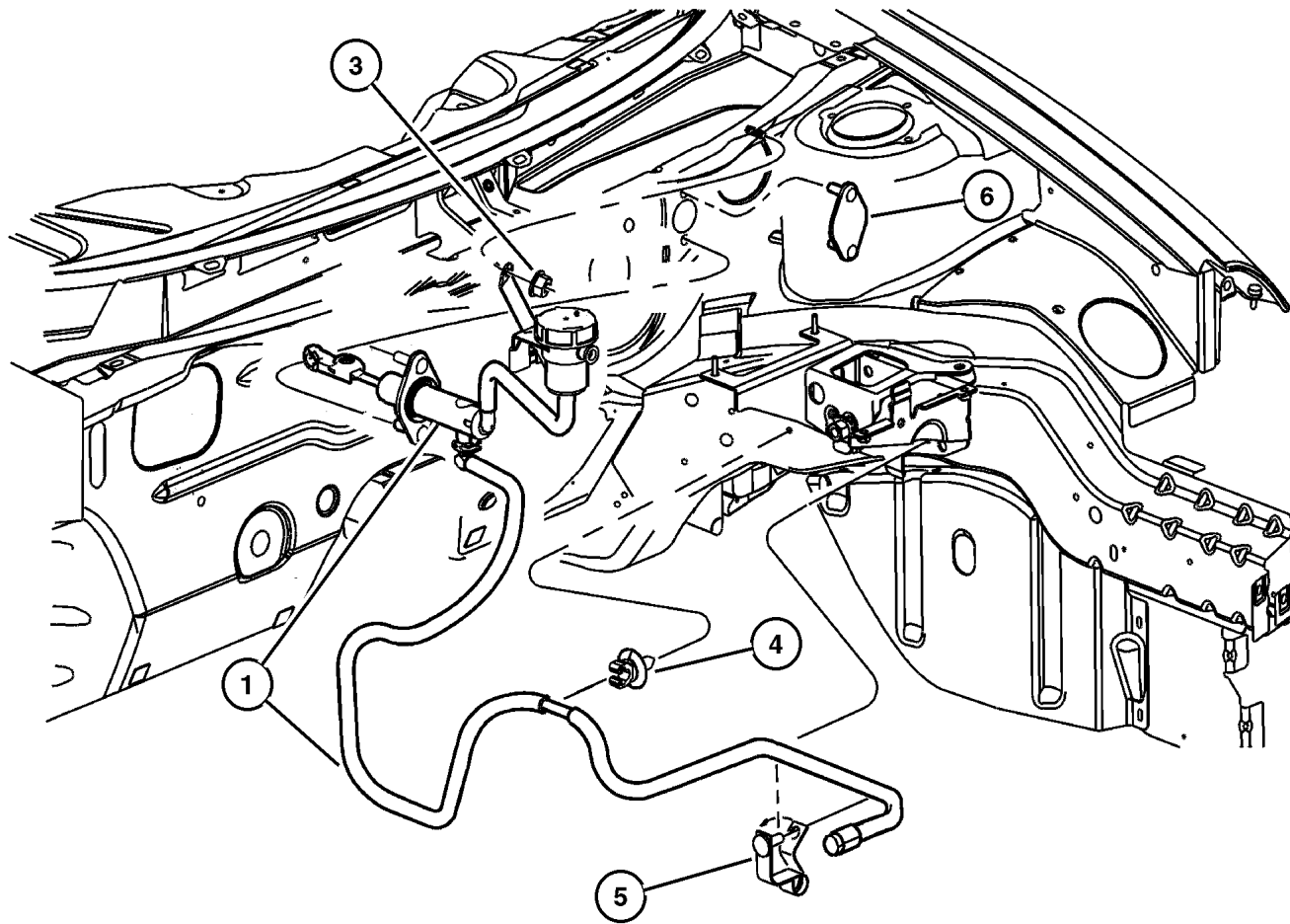
SERIES	LINE	BODY	ENGINE	TRANSMISSION
L=Low Line	Z= Chrysler, RHD	41 = 4 Door,	ECB = 2.0L 4 Cyl. , 16V SMPI	DD5 = 5 Speed Manual
H=High Line	D= Dodge	104WB	ECH = 2.0L 4 Cyl, 16V SOHC	DGL = 4 Speed Automatic
S = Special	C= Chrysler		EJD, EJO = 1.6L 4 Cyl 16v, SOHC	DG0 = All Automatics
P = Premium				DBB = All 5 Speed Manual
X = R/T				

AR = Use as required - = Non illustrated part # = New this model year

April 9, 2002

Hydraulic Clutch, Master Cylinder Left Hand Drive Figure 006-320

ITEM	PART NUMBER	QTY	LINE	ENGINE	TRANS	DESCRIPTION
NOTE:						
Sales Codes:						
[DGL]=4 Speed Automatic Transmission - 41TE						
[DD5]=5 Speed Manual Transmission - A578						
1	4668 631AD	1	C, D		DD5	ACTUATOR, Hydraulic Clutch, Master Cylinder
-2	5291 532AB	2	C, D			RETAINER, Master Cylinder To Fire Wall Inside Passenger Compartment
3						NUT, Reservoir To Fire Wall M6X1.00X20.00, (NOT SERVICED)
4	4670 268	1			DD5	CLIP, Clutch Tube
5	4668 893AA	1			DD5	CLIP, Clutch Tube
6	4668 637AA	1	C, D		DGL	PLATE, Brake Booster, Automatic Transmission Only



DODGE - CHRYSLER NEON (PL)

SERIES	LINE	BODY	ENGINE	TRANSMISSION
L=Low Line	Z= Chrysler, RHD	41 = 4 Door,	ECB = 2.0L 4 Cyl. , 16V SMPI	DD5 = 5 Speed Manual
H=High Line	D= Dodge	104WB	ECH = 2.0L 4 Cyl, 16V SOHC	DGL = 4 Speed Automatic
S = Special	C= Chrysler		EJD, EJ0 = 1.6L 4 Cyl 16v, SOHC	DG0 = All Automatics
P = Premium				DBB = All 5 Speed Manual
X = R/T				

AR = Use as required - = Non illustrated part # = New this model year

April 9, 2002

Hydraulic Clutch, Master Cylinder Right Hand Drive Figure 006-330

ITEM	PART NUMBER	QTY	LINE	ENGINE	TRANS	DESCRIPTION
------	-------------	-----	------	--------	-------	-------------

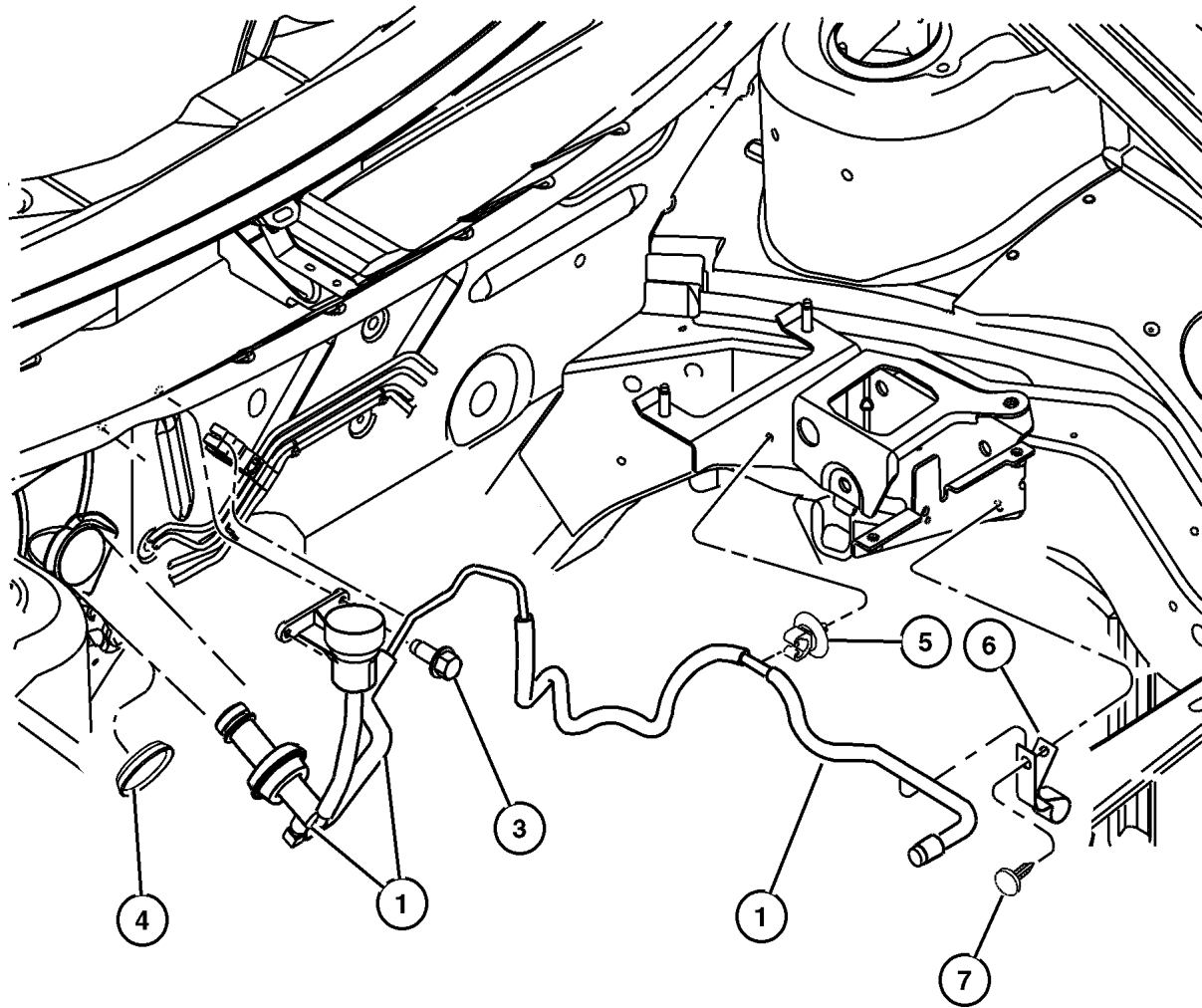
NOTE:

Sales Codes:

[DGL]=4 Speed Automatic Transmission - 41TE

[DD5]=5 Speed Manual Transmission - A578

1	4668 330AD	1	Z		DD5	ACTUATOR, Hydraulic Clutch, Master Cylinder
-2	4668 692AB	1	Z		DD5	ROD, Clutch Master Cylinder
3						SCREW, M6.3X1.81X19.00, (NOT SERVICED)
4	5502 3694	1	Z		DGL	PLUG, Body, 2 Inch OD
5	4670 268	1			DD5	CLIP, Clutch Tube
6	4668 893AA	1			DD5	CLIP, Clutch Tube
7	6030 441	1			DD5	PIN, Retainer



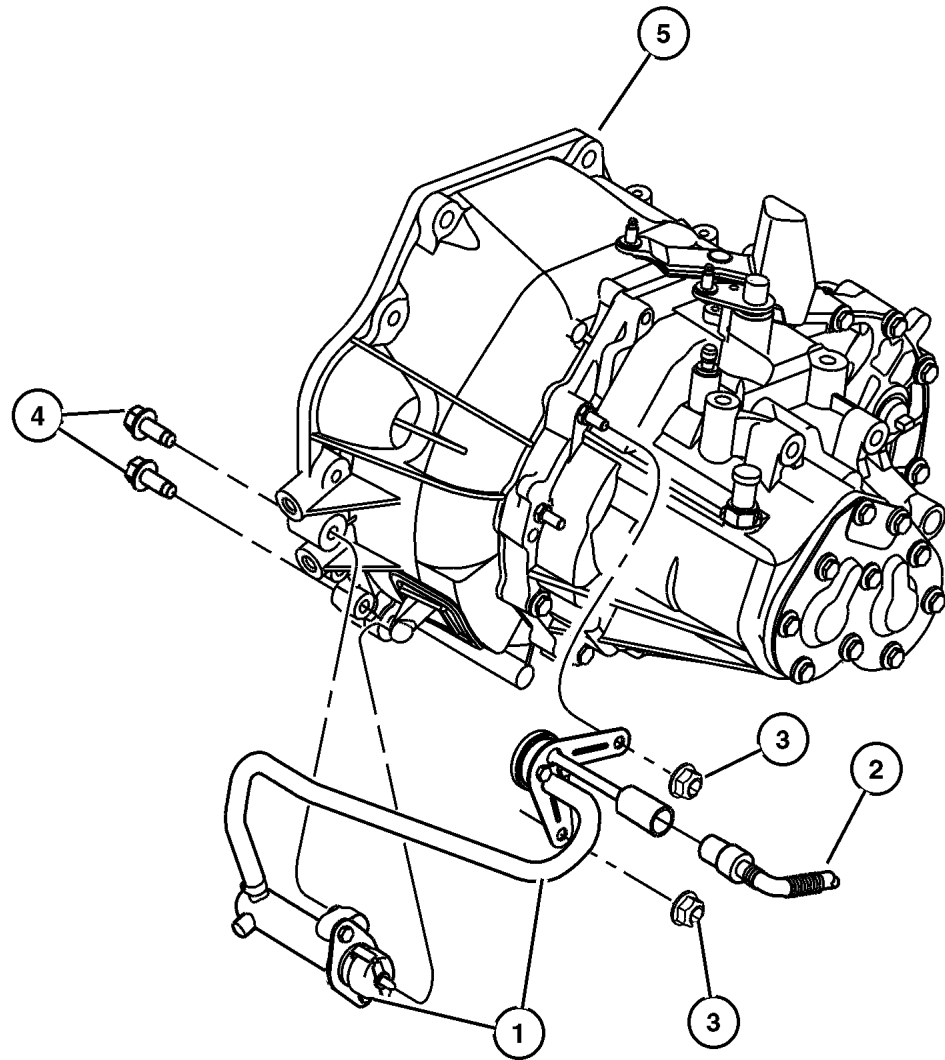
DODGE - CHRYSLER NEON (PL)

SERIES	LINE	BODY	ENGINE	TRANSMISSION
L=Low Line	Z= Chrysler, RHD	41 = 4 Door,	ECB = 2.0L 4 Cyl. , 16V SMPI	DD5 = 5 Speed Manual
H=High Line	D= Dodge	104WB	ECH = 2.0L 4 Cyl, 16V SOHC	DGL = 4 Speed Automatic
S = Special	C= Chrysler		EJD, EJ0 = 1.6L 4 Cyl 16v, SOHC	DG0 = All Automatics
P = Premium				DBB = All 5 Speed Manual
X = R/T				

AR = Use as required - = Non illustrated part # = New this model year

April 9, 2002

Slave Cylinder Figure 006-340



ITEM	PART NUMBER	QTY	LINE	ENGINE	TRANS	DESCRIPTION
------	-------------	-----	------	--------	-------	-------------

NOTE:

Sales Codes:

[ECB]=2.0L 4 Cylinder 16-V SOHC Engine

[ECH]=2.0L 4 Cylinder 16-V SOHC High Output Engine

[EJD]=1.6L 4 Cylinder 16-V SOHC Engine

[DD5]=5 Speed Manual Transmission - A578

1	4668 331AB	1		ECB, ECH	DD5	ACTUATOR, Hydraulic Clutch Slave Cylinder
2	4668 469AB	1		EJD	DD5	Slave Cylinder
	4668 330AD	1	Z		DD5	ACTUATOR, Hydraulic Clutch Master Cylinder
	4668 631AD	1	C, D		DD5	Master Cylinder
3	6101 695	2			DD5	NUT, Hex Flange Lock, M8x1.25
4	6101 614	2		ECB, ECH, EJD	EJD DD5	SCREW AND WASHER, Hex Head, M8x1.25x45
5						TRANSMISSION, 5 Speed, See Manual Transmission Group, (NOT SERVICED)

DODGE - CHRYSLER NEON (PL)

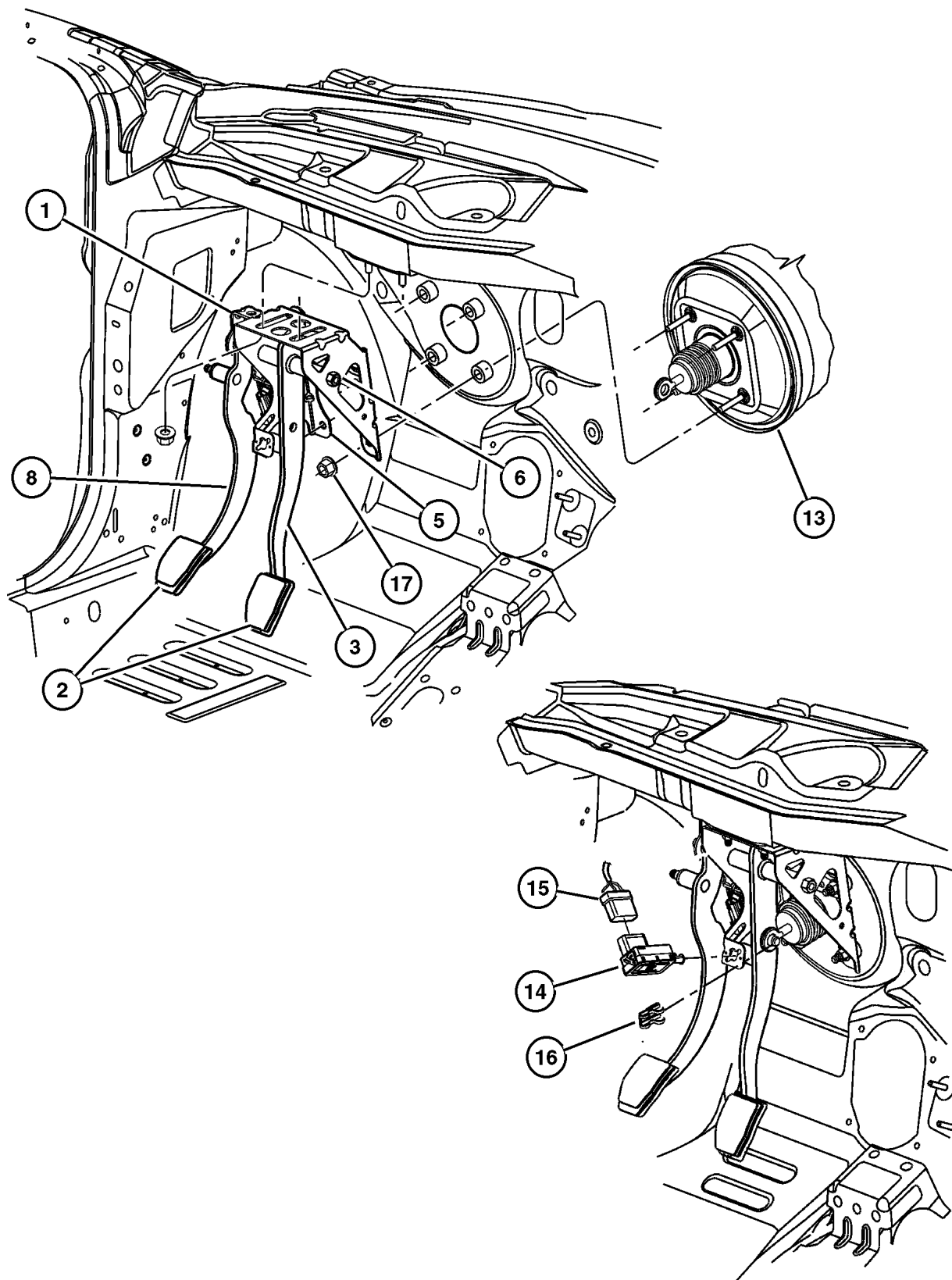
SERIES	LINE	BODY	ENGINE	TRANSMISSION
L=Low Line	Z= Chrysler, RHD	41 = 4 Door, 104WB	ECB = 2.0L 4 Cyl. , 16V SMPI	DD5 = 5 Speed Manual
H=High Line	D= Dodge		ECH = 2.0L 4 Cyl, 16V SOHC	DGL = 4 Speed Automatic
S = Special	C= Chrysler		EJD, EJO = 1.6L 4 Cyl 16v, SOHC	DG0 = All Automatics
P = Premium				DBB = All 5 Speed Manual
X = R/T				

AR = Use as required - = Non illustrated part # = New this model year

April 9, 2002

Clutch & Brake Pedal Left Hand Drive - [DD5] Figure 006-410

ITEM	PART NUMBER	QTY	LINE	ENGINE	TRANS	DESCRIPTION
NOTE:						
Sales Codes:						
[DD5]=5 Speed Manual Transmission - A578						
1	#5273 102AB	1	C, D		DD5	BRACKET, Brake Pedal
2	4683 021	1	C, D		DD5	PAD, clutch, Brake & Clutch Pedal Pad
3	4509 770	1	C, D		DD5	PEDAL, Brake
-4	6504 043	2	C, D		DD5	PIN, Push, M8.6x19
5	4860 035AA	1	C, D		DD5	BRACKET, Brake Pedal, Tie Bar - Pedal Impact Stop
6	5273 101AA	1	C, D		DD5	SHAFT, Brake Pedal Pivot
-7	2467 770	4	C, D		DD5	BUSHING, Pedal Shaft
8	4668 638AB	1	C, D		DD5	PEDAL, Clutch
-9	#4671 756AC	1	C, D		DD5	SWITCH, Clutch Starter Interlock
-10	4668 641AC	1	C, D		DD5	SPRING, Clutch Pedal Return
-11						BUSHING, Clutch Pedal Shaft, Serviced With Clutch Pedal, (NOT SERVICED)
-12	4670 262	1	C, D		DD5	PAD, Clutch Pedal, Clutch Pedal Downstop
13						BOOSTER, Power Brake, See Brake Group, (NOT SERVICED)
14	56045 043AE	1				SWITCH, Stop Lamp
15						WIRING, Headlamp to Dash, See Electrical Group, (NOT SERVICED)
16	6035 334	1				CLIP, Brake Push Rod
17	6101 446	2				NUT AND WASHER



DODGE - CHRYSLER NEON (PL)

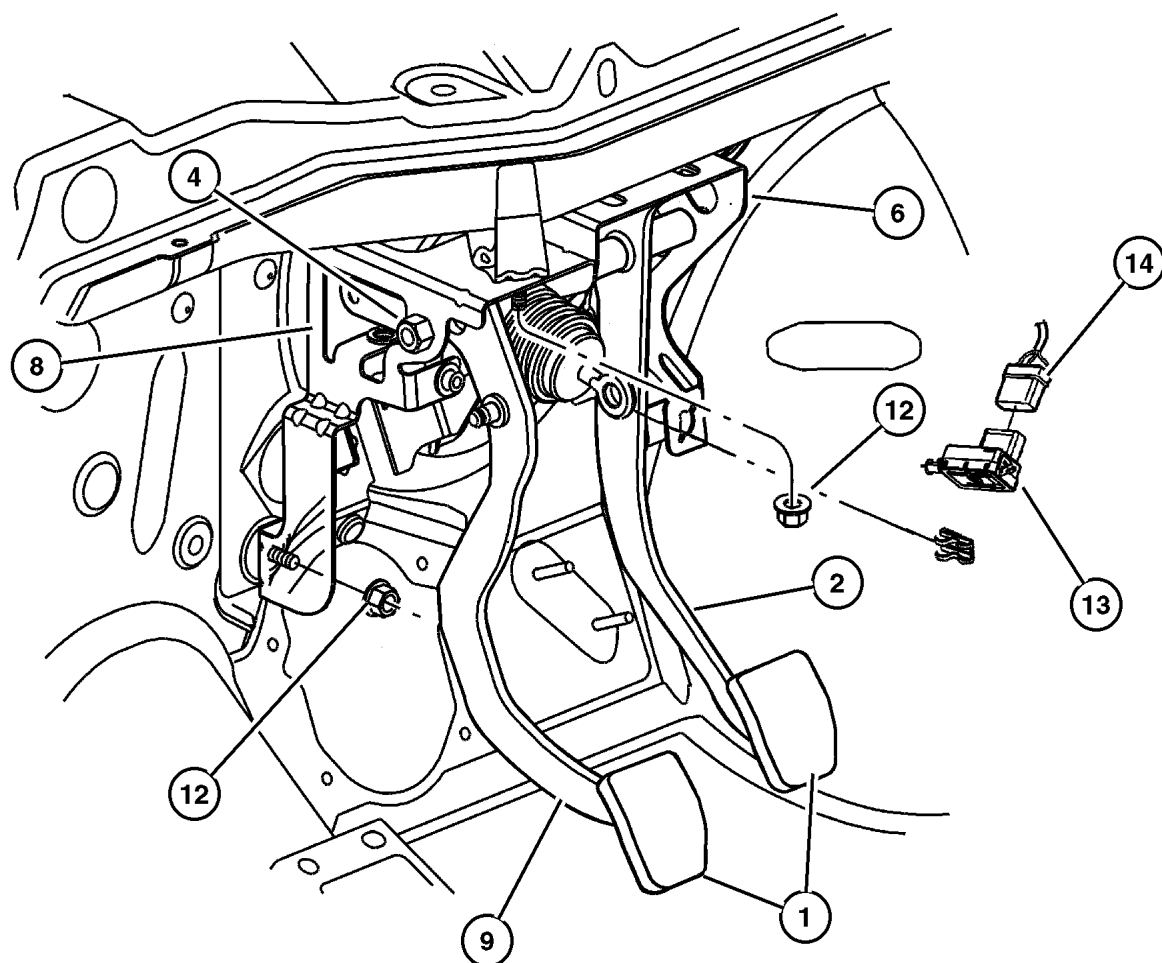
SERIES	LINE	BODY	ENGINE	TRANSMISSION
L=Low Line	Z= Chrysler, RHD	41 = 4 Door,	ECB = 2.0L 4 Cyl. , 16V SMPI	DD5 = 5 Speed Manual
H=High Line	D= Dodge	104WB	ECH = 2.0L 4 Cyl, 16V SOHC	DGL = 4 Speed Automatic
S = Special	C= Chrysler		EJD, EJ0 = 1.6L 4 Cyl 16v, SOHC	DG0 = All Automatics
P = Premium				DBB = All 5 Speed Manual
X = R/T				

AR = Use as required - = Non illustrated part # = New this model year

April 9, 2002

Clutch & Brake Pedal Right Hand Drive - [DD5] Figure 006-420

ITEM	PART NUMBER	QTY	LINE	ENGINE	TRANS	DESCRIPTION
NOTE:						
Sales Codes:						
[DD5]=5 Speed Manual Transmission - A578						
1	4683 021	1	Z		DD5	PAD, clutch
2	4509 846AA	1	Z		DD5	PEDAL, Brake
-3	2467 770	4	Z		DD5	BUSHING, Pedal Shaft
4	4860 014AA	1	Z		DD5	SHAFT, Brake Pedal Pivot
-5	6500 197	1	Z		DD5	NUT, M10x1.5
6	5273 034AA	1	Z		DD5	BRACKET, Brake Pedal
-7	6504 043	2	Z		DD5	PIN, Push, M8.6x19
8	4860 035AA	1	Z		DD5	BRACKET, Brake Pedal, Tie Bar - Pedal Impact Stop
9	4668 349AA	1	Z		DD5	PEDAL, Clutch
-10	4671 765AB	1	Z		DD5	SWITCH, Clutch Starter Interlock
-11	4670 262	1	Z		DD5	PAD, Clutch Pedal, Clutch Pedal Downstop
12	6101 446	2	Z		DD5	NUT AND WASHER
13	56045 043AE	1				SWITCH, Stop Lamp
14						WIRING, Headlamp to Dash, See Electrical Group, (NOT SERVICED)



DODGE - CHRYSLER NEON (PL)

SERIES	LINE	BODY	ENGINE	TRANSMISSION
L=Low Line	Z= Chrysler, RHD	41 = 4 Door,	ECB = 2.0L 4 Cyl. , 16V SMPI	DD5 = 5 Speed Manual
H=High Line	D= Dodge	104WB	ECH = 2.0L 4 Cyl, 16V SOHC	DGL = 4 Speed Automatic
S = Special	C= Chrysler		EJD, EJ0 = 1.6L 4 Cyl 16v, SOHC	DG0 = All Automatics
P = Premium				DBB = All 5 Speed Manual
X = R/T				

AR = Use as required - = Non illustrated part # = New this model year

April 9, 2002

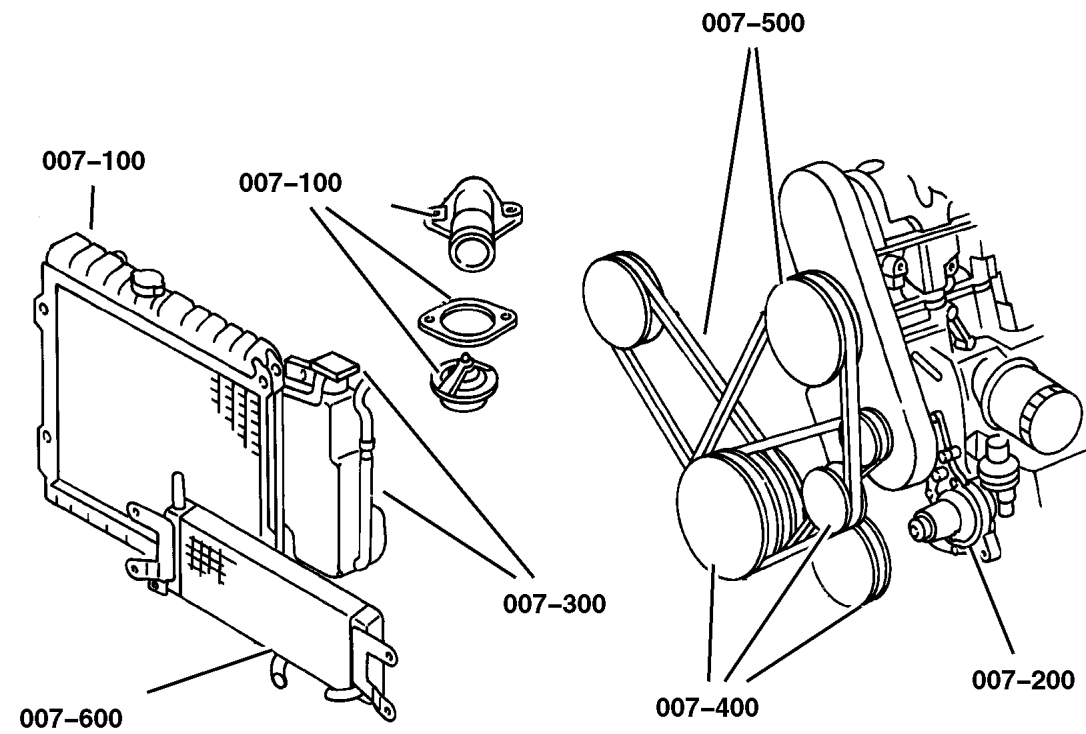
Group – 007

Cooling

GROUP 7 - Cooling

Illustration Title

Group-Fig. No.



Radiator and Related Parts

Radiator and Related Parts Fig. 007-110

Water Pump and Related Parts

Pump Assembly - Water and Power Steering 1.6L Engine Fig. 007-201

Water Pump and Related Parts Fig. 007-203

Tank, Coolant Engine

Coolant Reserve Tank Fig. 007-303

Pulleys and Related Parts

Pulleys and Related Parts, 2.0L Engines Fig. 007-403

Pulleys and Related Parts, 1.6L Engine Fig. 007-405

Drive Belts

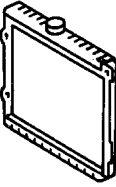
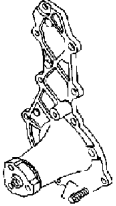
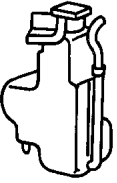
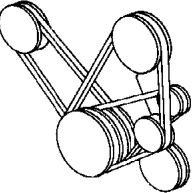
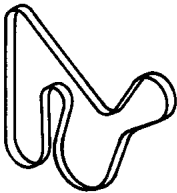
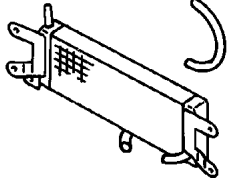
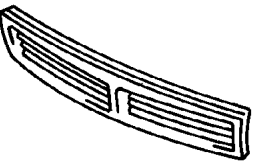
Belts Fig. 007-503

Lines, Transmission Oil Cooler

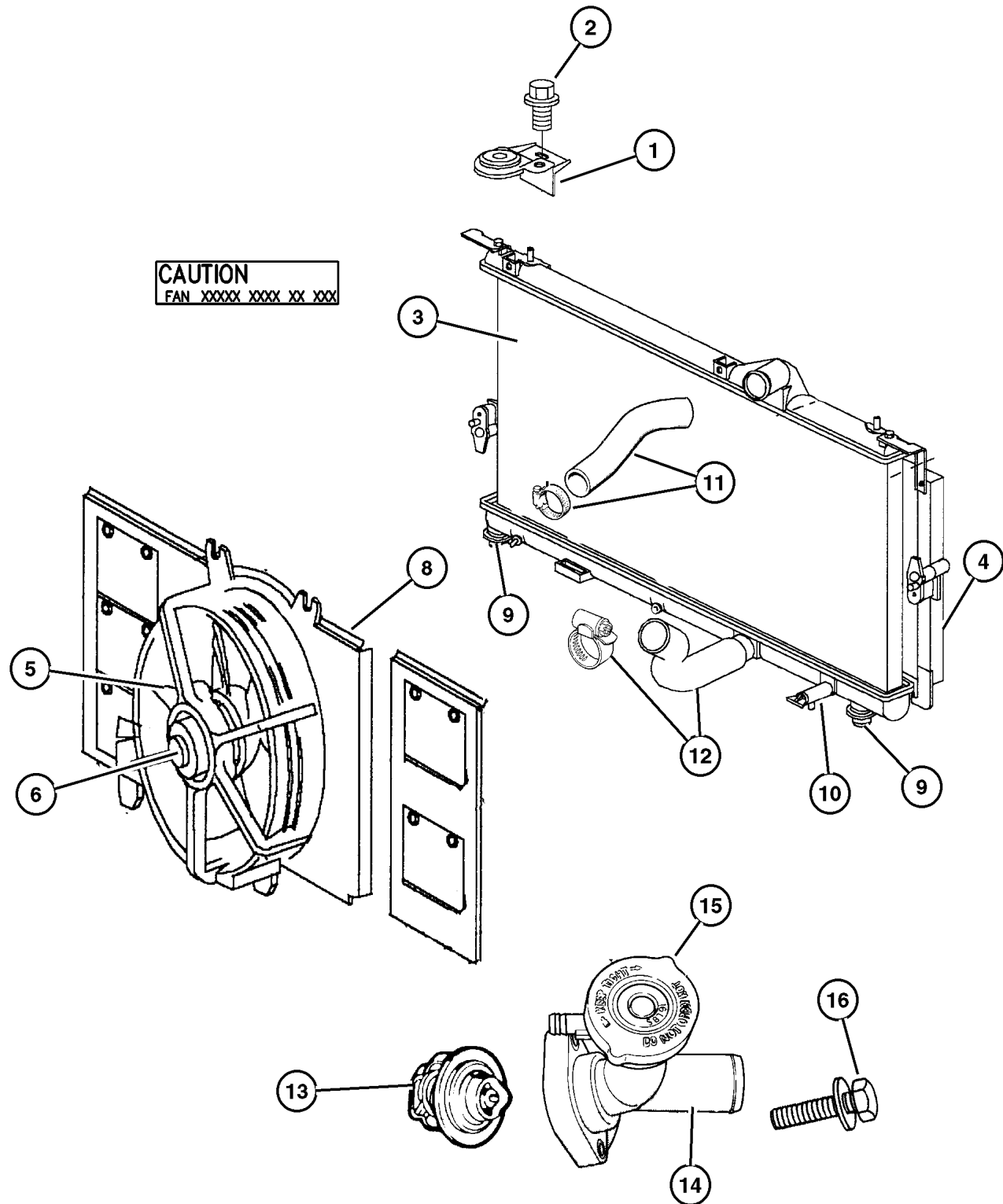
Lines, Oil Cooler Fig. 007-603

Grilles

Grille and Related Parts Fig. 007-703

<p>007-100 Radiator and Related Parts</p> 	<p>007-200 Water Pump and Related Parts</p> 	<p>007-300 Tank, Coolant Engine</p> 	<p>007-400 Pulleys and Related Parts</p> 
<p>007-500 Drive Belts</p> 	<p>007-600 Lines, Transmission Oil Cooler</p> 	<p>007-700 Grilles</p> 	

Radiator and Related Parts Figure 007-110



ITEM	PART NUMBER	QTY	LINE	ENGINE	TRANS	DESCRIPTION
NOTE: Sales Codes:						
[DGL] = TRANSMISSION - 4-SPD. AUTOMATIC,41TE						
[DD5] = TRANSMISSION - PERF. MANUAL 5-SPEED						
[ECB] = 2.0L 4 CYL SOHC 16V SMPI						
[ECH] = 2.0L 4 CYL SOHC 16V HI PERF						
[EJD] = 1.6L 4 CYL SOHC 16V SMPI						
1						BRACKET, Cooling Module
	5278 276AC	1				Upper Right
	5278 277AC	1				Upper Left
2	6101 718	2				SCREW AND WASHER, Oval Head, M6x1x25, Bracket Attaching
3						RADIATOR, Engine Cooling
	5014 581AA	1		ECB, DD5		Dual Fans, Heater
	#5086 239AA	1		ECH, DD5		Single Fan, Heater
	#5080 574AA	1		ECB, DD5		Air Conditioning
	5019 214AA	1		ECB, DGL		
	5019 213AA	1		EJD, DD5		
4						CONDENSER, Air Conditioning
	5014 582AA	1		ECB, DGL		
		1		ECB, DD5		
		1		EJD, DD5		
		1		ECH, DD5		
5						FAN, Cooling
	5014 578AA	1		ECB, DD5		
				ECH		
	5019 208AA	1		ECB, DGL		7 Blade, Right
	5019 209AA	1		ECB, DGL		5 Blade, Left
6						MOTOR, Radiator Fan
	5014 577AA	1		ECB, DD5		
				ECH		
	5019 211AA	1		ECB, DGL		with Wire Harness, Right
	5019 212AA	1		ECB, DGL		Left
	5019 211AA	1		EJD, DD5		Right
	5019 212AA	1		EJD, DD5		Left
-7						NUT, Fan Module Retaining, Motor to Fan
	4762 341	1		ECB, DD5		
		1		ECH, DD5		
		1		EJD, DD5		
				ECB, DGL		
8						SHROUD, Fan

DODGE - CHRYSLER NEON (PL)

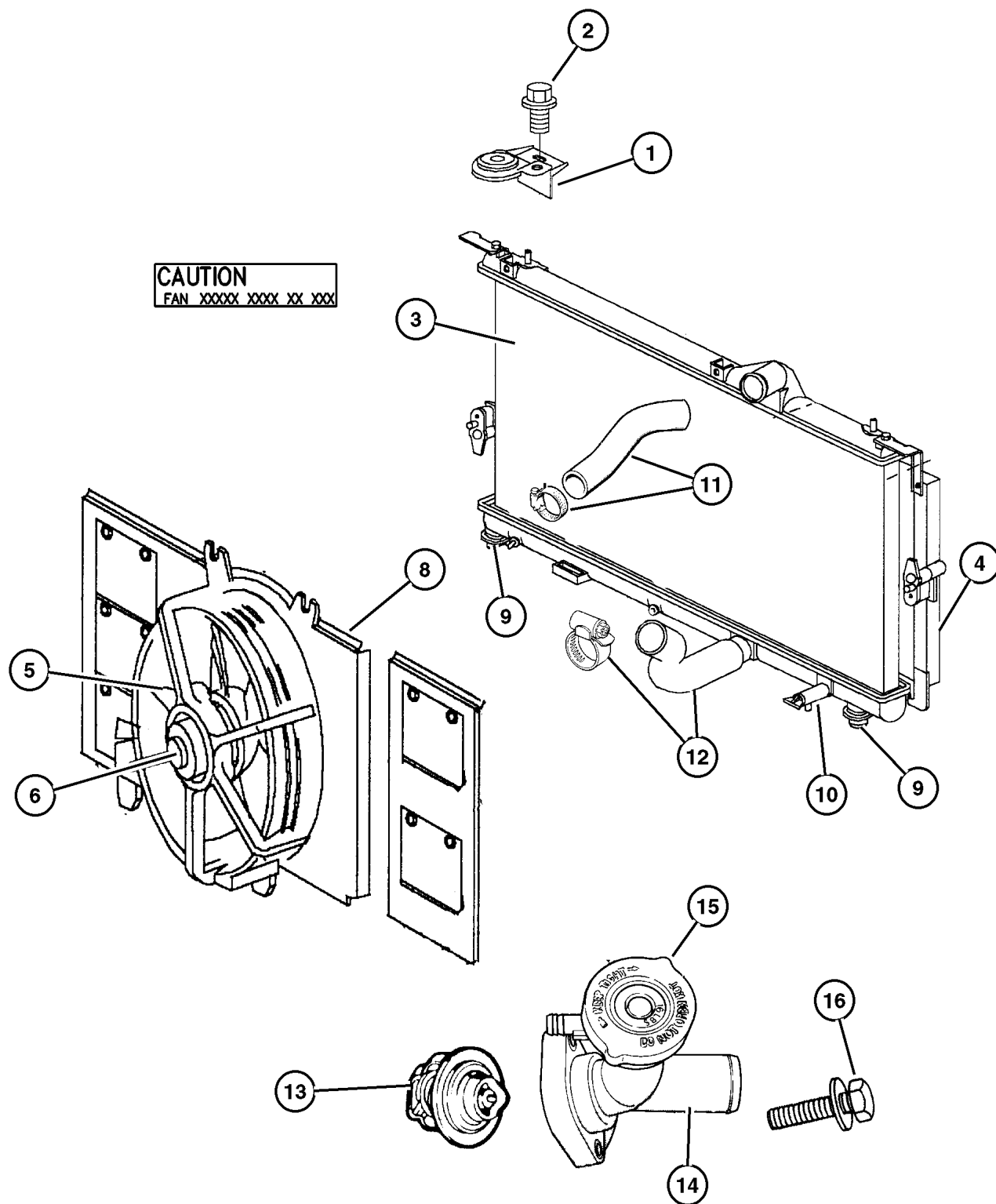
SERIES	LINE	BODY	ENGINE	TRANSMISSION
L=Low Line	Z= Chrysler, RHD	41 = 4 Door, 104WB	ECB = 2.0L 4 Cyl. , 16V SMPI	DD5 = 5 Speed Manual
H=High Line	D= Dodge		ECH = 2.0L 4 Cyl, 16V SOHC	DGL = 4 Speed Automatic
S = Special	C= Chrysler		EJD, EJO = 1.6L 4 Cyl 16v, SOHC	DG0 = All Automatics
P = Premium				DBB = All 5 Speed Manual
X = R/T				

AR = Use as required - = Non illustrated part # = New this model year

April 9, 2002

Radiator and Related Parts
Figure 007-110

ITEM	PART NUMBER	QTY	LINE	ENGINE	TRANS	DESCRIPTION
	5019 210AA	1		ECB	DGL	Dual Fan
		1		ECB	DD5	Dual Fan
		1		EJD	DD5	Dual Fan
	#5086 237AA	1		ECB	DGL	Single Fan
		1		ECB,	DD5	Single Fan
		1		ECH		
9		1		EJD	DD5	Single Fan ISOLATOR, Radiator
	4495 963AB	2				without Air Conditioning, Lower
	4546 657AB	2				with Air Conditioning, Lower
10						DRAINCOCK, Radiator
	4762 334	1		ECB,	DD5	
		1		ECH		
		1		ECB	DGL	
		1		EJD	DD5	
11						HOSE AND CLAMP, Radiator Inlet Dual Fan Inlet
	5278 030AD	1		ECB		
	5278 532AA	1		EJD		
	5278 800AA	1		ECH		Single Fan Inlet
12						HOSE AND CLAMP, Radiator Outlet
	5278 950AB	1		ECB		
	5278 531AC	1		EJD		
	5278 033AE	1		ECH		
13						THERMOSTAT
	5278 144AA	1		ECB		
	4693 117AA	1		EJD	DD5	
	5278 144AA	1		ECH		
14						CONNECTOR, Water Outlet
	5278 156AA	1		ECB		
		1		ECH		
	4693 099AA	1		EJD	DD5	
15						CAP, Radiator
	4596 198	1		ECB		
		1		ECH		
16						SCREW AND WASHER, Hex Head, M6x1x30
	6101 939	2		ECB		
		2		ECH		
		3		EJD	DD5	



CAUTION
FAN XXXXX XXXX XX XXX

DODGE - CHRYSLER NEON (PL)

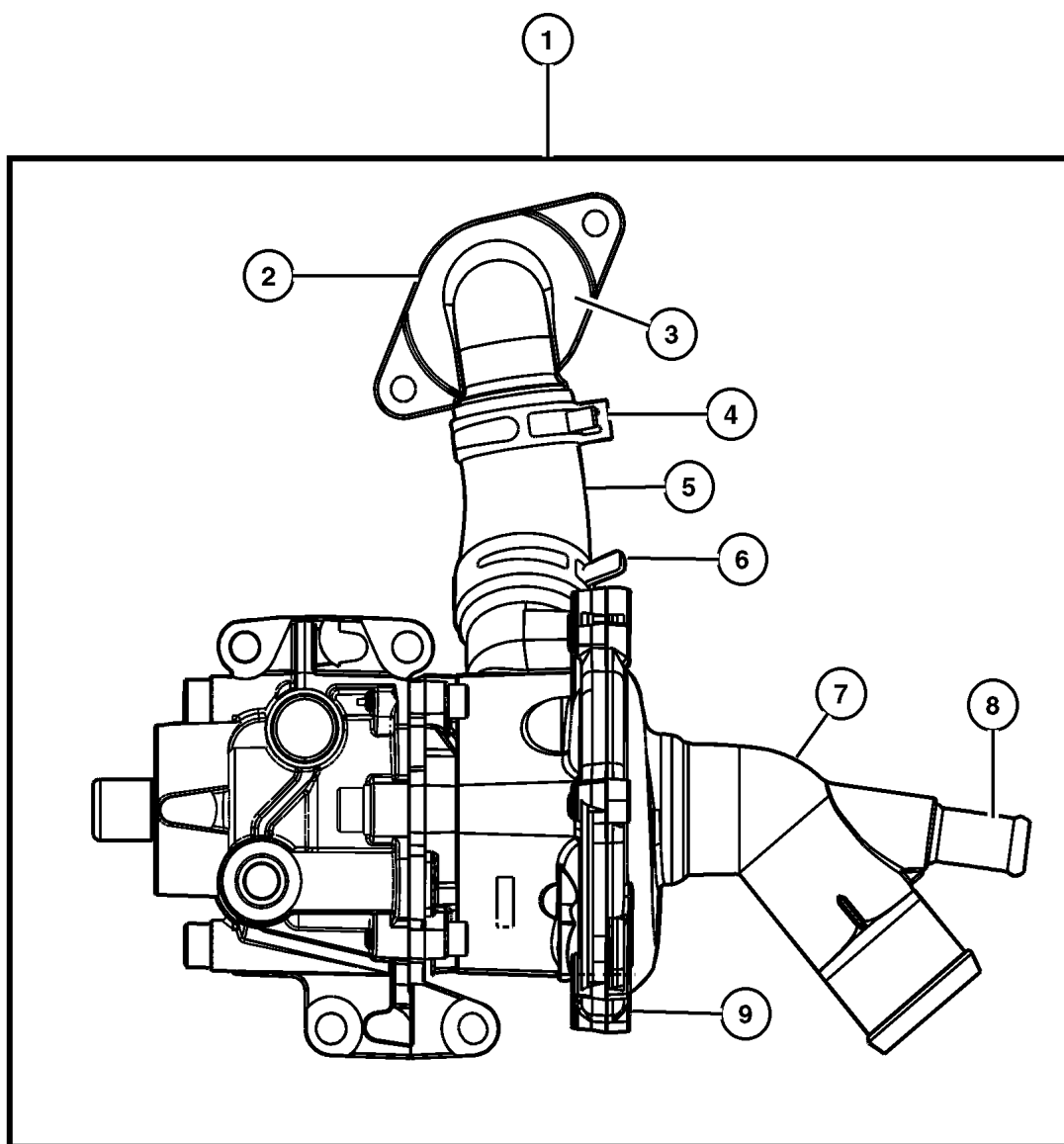
SERIES	LINE	BODY	ENGINE	TRANSMISSION
L=Low Line	Z= Chrysler, RHD	41 = 4 Door,	ECB = 2.0L 4 Cyl. , 16V SMPI	DD5 = 5 Speed Manual
H=High Line	D= Dodge	104WB	ECH = 2.0L 4 Cyl, 16V SOHC	DGL = 4 Speed Automatic
S = Special	C= Chrysler		EJD, EJ0 = 1.6L 4 Cyl 16v, SOHC	DG0 = All Automatics
P = Premium				DBB = All 5 Speed Manual
X = R/T				

AR = Use as required - = Non illustrated part # = New this model year

April 9, 2002

Pump Assembly - Water and Power Steering 1.6L Engine
Figure 007-201

ITEM	PART NUMBER	QTY	LINE	ENGINE	TRANS	DESCRIPTION
NOTE: Sales Codes:						
[DD5] = TRANSMISSION - 5-SPEED MANUAL						
[EJD] = ENGINE - 1.6L 4 CYL SOHC 16V SMPI						
1	4693 090AE	1		EJD	DD5	PUMP, Power Steering/Water
2	4693 097AA	1		EJD		SEAL, O-Ring
3	4777 876AB	1		EJD	DD5	HOUSING, Water Outlet
4	4693 169AA	1		EJD	DD5	CLAMP, Hose
5	4693 112AB	1		EJD	DD5	HOSE, Water Pump
6	4693 168AB	1		EJD	DD5	CLAMP, Hose
7	4693 092AA	1		EJD	DD5	COVER, Water Pump
8	4693 170AA	1		EJD	DD5	NIPPLE, Heater Inlet
9	6506 300AA	7		EJD	DD5	SCREW
-10	4693 096AA	1		EJD	DD5	SEAL, Water Pump Body, Housing to Body



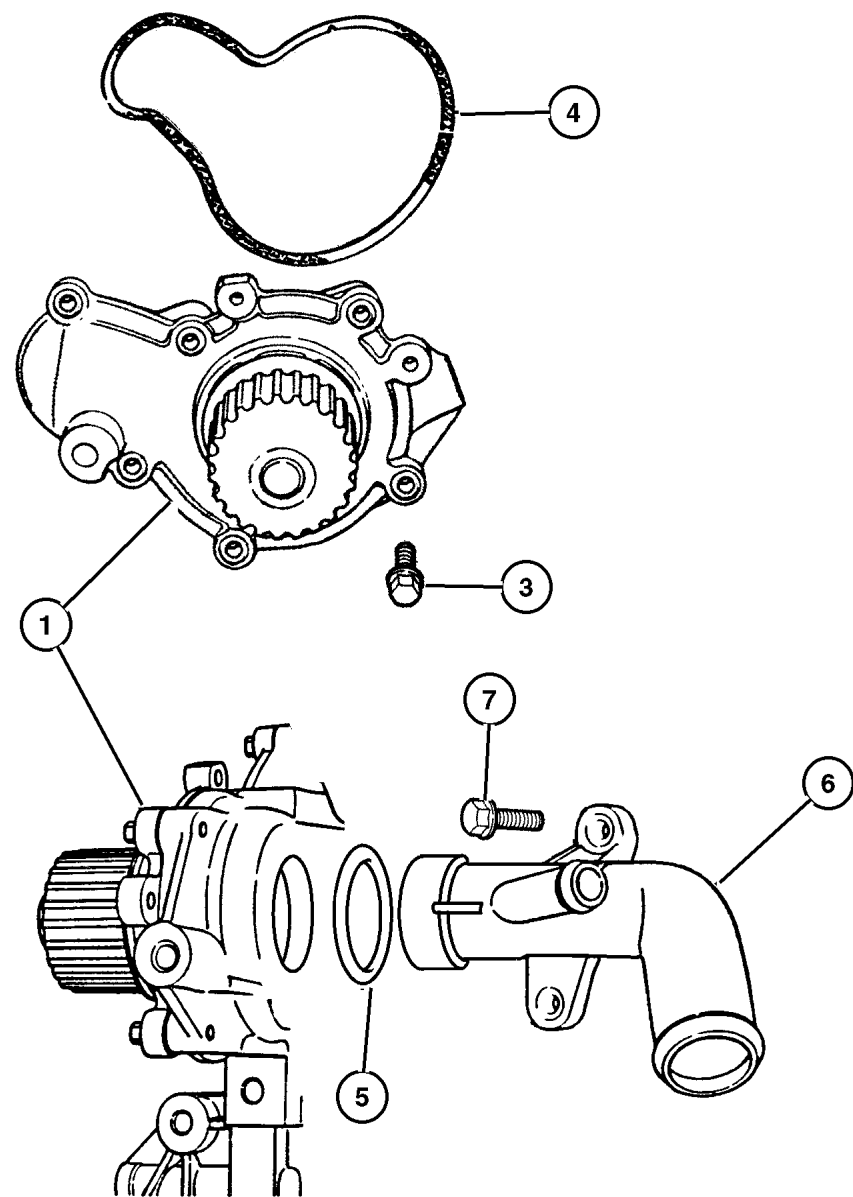
DODGE - CHRYSLER NEON (PL)

SERIES	LINE	BODY	ENGINE	TRANSMISSION
L=Low Line	Z= Chrysler, RHD	41 = 4 Door,	ECB = 2.0L 4 Cyl. , 16V SMPI	DD5 = 5 Speed Manual
H=High Line	D= Dodge	104WB	ECH = 2.0L 4 Cyl, 16V SOHC	DGL = 4 Speed Automatic
S = Special	C= Chrysler		EJD, EJ0 = 1.6L 4 Cyl 16v, SOHC	DG0 = All Automatics
P = Premium				DBB = All 5 Speed Manual
X = R/T				

AR = Use as required - = Non illustrated part # = New this model year

April 9, 2002

**Water Pump and Related Parts
Figure 007-203**



ITEM	PART NUMBER	QTY	LINE	ENGINE	TRANS	DESCRIPTION
NOTE: Sales Codes: [ECB] =2.0L 4 CYL SOHC 16V SMPI [ECH] =2.0L 4 CYL SOHC 16V HI PERF						
1	#4667 660AB	1		ECB		PUMP, Water
-2	4621 653	1		ECH		NIPPLE, Heater Return
3	6503 255	6		ECB		BOLT, Hex Head, M6x1.0x22
4	4667 663	1		ECH		SEAL, Water Pump Body
5	4777 173	1		ECB		O RING, Water Inlet Tube
6	4777 171	1		ECB		TUBE, Water Inlet
7	6100 267	1		ECB		BOLT AND CONED WASHER, Hex Head, M6x25x12.5
		2		ECH		

DODGE - CHRYSLER NEON (PL)

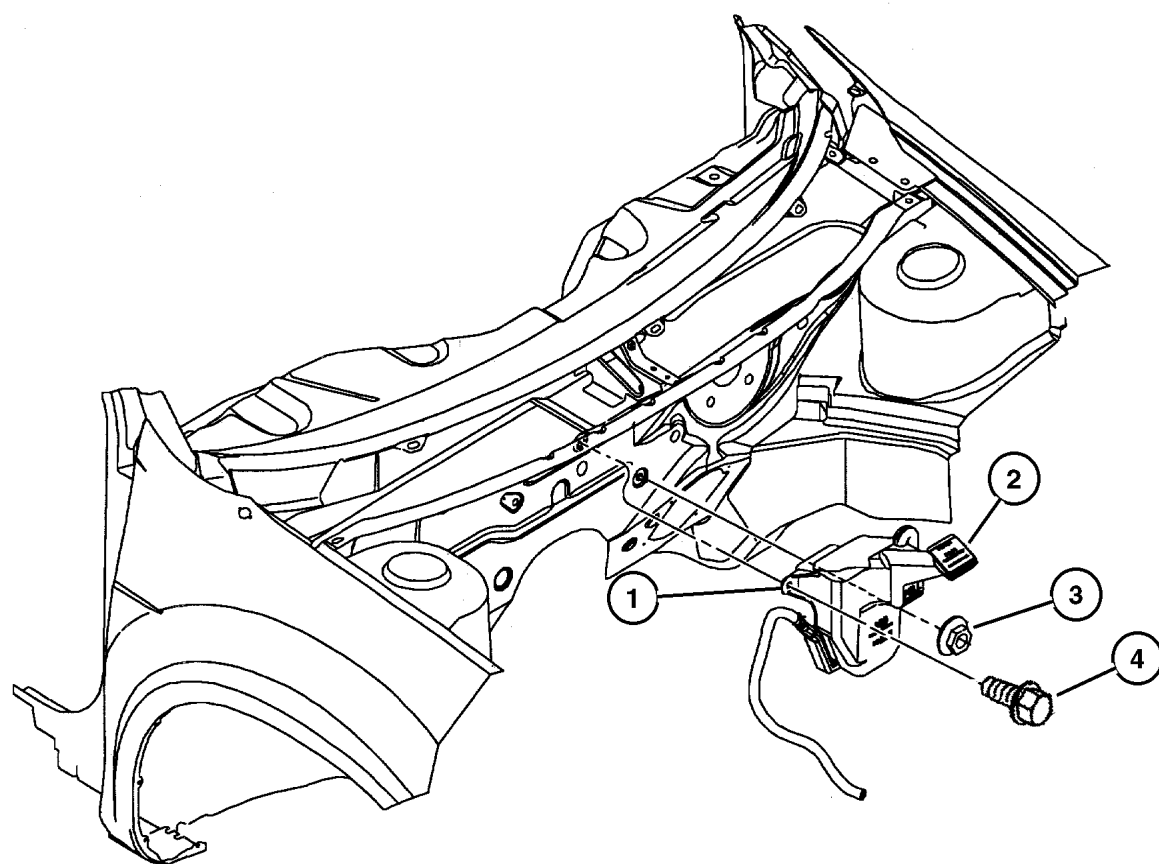
SERIES	LINE	BODY	ENGINE	TRANSMISSION
L=Low Line	Z= Chrysler, RHD	41 = 4 Door,	ECB = 2.0L 4 Cyl. , 16V SMPI	DD5 = 5 Speed Manual
H=High Line	D= Dodge	104WB	ECH = 2.0L 4 Cyl, 16V SOHC	DGL = 4 Speed Automatic
S = Special	C= Chrysler		EJD, EJO = 1.6L 4 Cyl 16v, SOHC	DG0 = All Automatics
P = Premium				DBB = All 5 Speed Manual
X = R/T				

AR = Use as required - = Non illustrated part # = New this model year

April 9, 2002

**Coolant Reserve Tank
Figure 007-303**

ITEM	PART NUMBER	QTY	LINE	ENGINE	TRANS	DESCRIPTION
NOTE: Sales Codes: [ECB] = 2.0L 4 CYL SOHC 16V SMPI [ECH] = 2.0L 4 CYL SOHC 16V HI PERF [EJD] = 1.6L 4 CYL SOHC 16V SMPI						
1						BOTTLE, Coolant Recovery
	5278 027AC	1		ECB, ECH		
	5278 651AB	1		EJD		
	5278 758AC	1		ECB, ECH		EXPORT
2						CAP, Coolant Reserve Tank
	5017 468AA	1		ECB, ECH		
		1		EJD		
3	6503 676	3				NUT, Hex Flange, M6x1
4	6034 716	1				SCREW AND WASHER, Hex Flange Head, .25-14x.875



DODGE - CHRYSLER NEON (PL)				
SERIES	LINE	BODY	ENGINE	TRANSMISSION
L=Low Line	Z= Chrysler, RHD	41 = 4 Door,	ECB = 2.0L 4 Cyl. , 16V SMPI	DD5 = 5 Speed Manual
H=High Line	D= Dodge	104WB	ECH = 2.0L 4 Cyl, 16V SOHC	DGL = 4 Speed Automatic
S = Special	C= Chrysler		EJD, EJO = 1.6L 4 Cyl 16v, SOHC	DG0 = All Automatics
P = Premium				DBB = All 5 Speed Manual
X = R/T				

AR = Use as required - = Non illustrated part # = New this model year April 9, 2002

**Pulleys and Related Parts, 2.0L Engines
Figure 007-403**

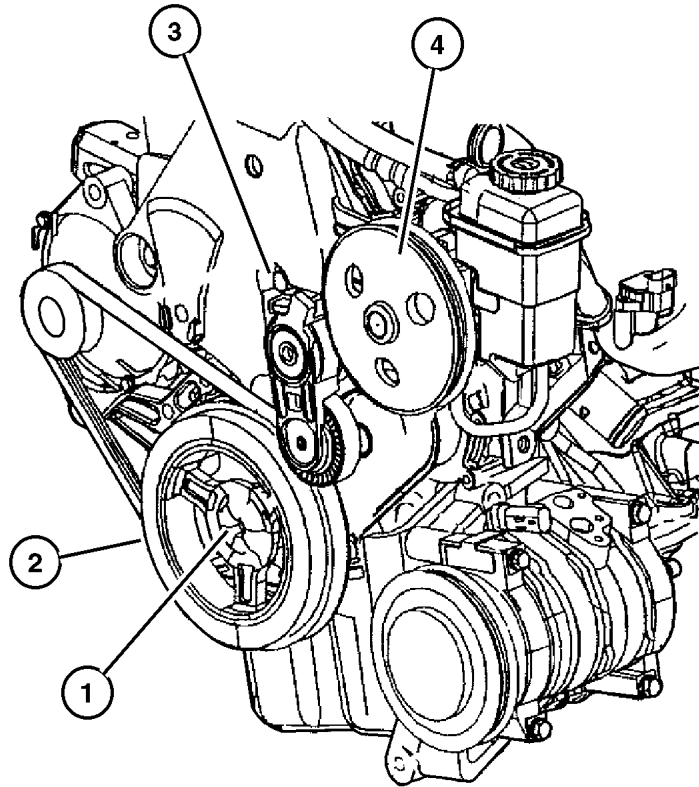
ITEM	PART NUMBER	QTY	LINE	ENGINE	TRANS	DESCRIPTION
------	-------------	-----	------	--------	-------	-------------

NOTE: Sales Codes:

[ECB] = 2.0L SOHC 16V

[ECH] = 2.0L 4 CYL SOHC 16V HI PERF

1	6503 553	1		ECB		BOLT, Hex Flange Head, M12x1.75x87.50
		1		ECH		
2	4777 618AD	1		ECB		DAMPER, Crankshaft
		1		ECH		
3	4668 364AC	1		ECB		TENSIONER AND BRACKET, Engine Mount
		1		ECH		
4	4668 252	1		ECB,		PULLEY, Power Steering Pump
				ECH		



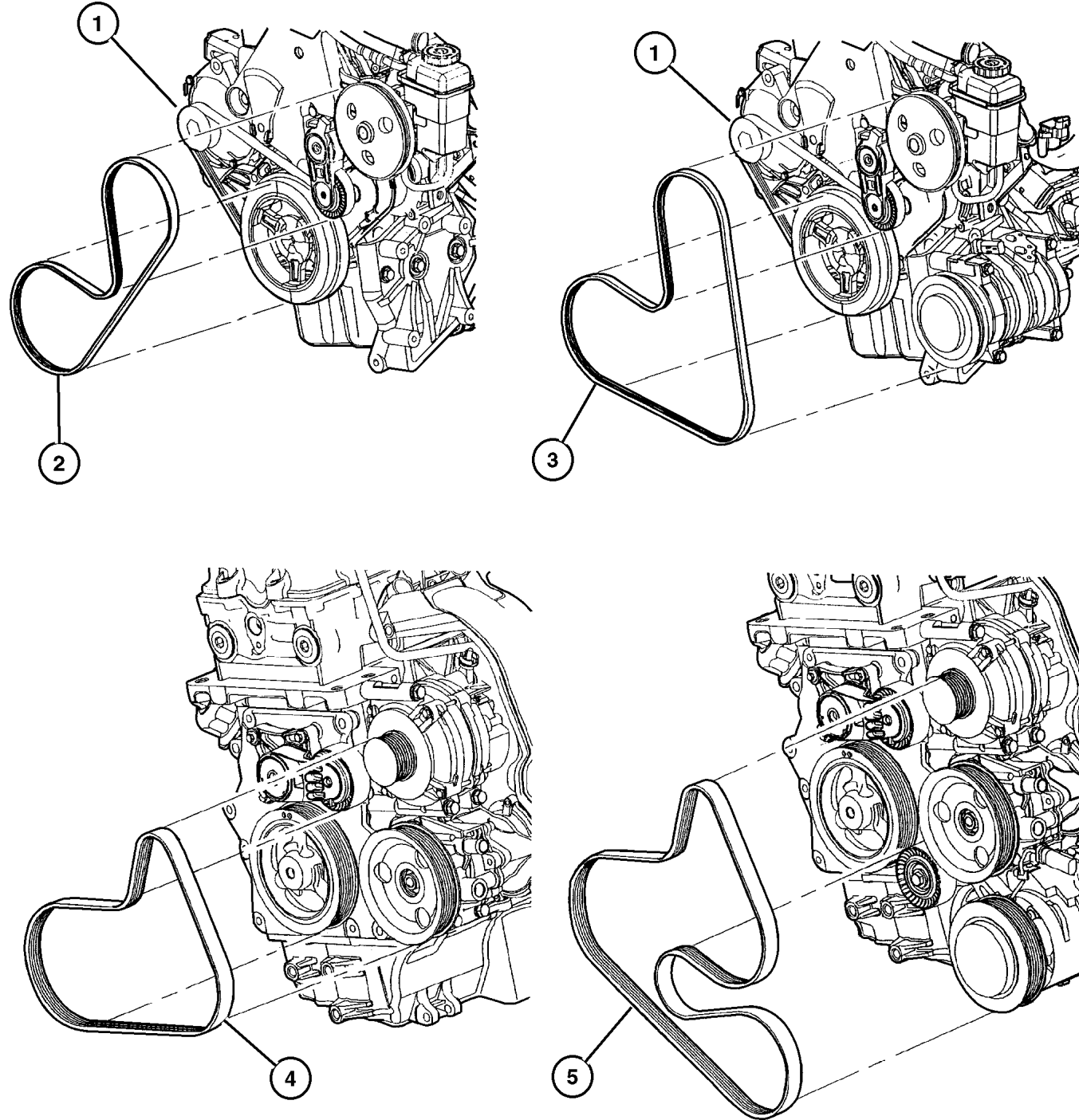
DODGE - CHRYSLER NEON (PL)

SERIES	LINE	BODY	ENGINE	TRANSMISSION
L=Low Line	Z= Chrysler, RHD	41 = 4 Door,	ECB = 2.0L 4 Cyl. , 16V SMPI	DD5 = 5 Speed Manual
H=High Line	D= Dodge	104WB	ECH = 2.0L 4 Cyl, 16V SOHC	DGL = 4 Speed Automatic
S = Special	C= Chrysler		EJD, EJ0 = 1.6L 4 Cyl 16v, SOHC	DG0 = All Automatics
P = Premium				DBB = All 5 Speed Manual
X = R/T				

AR = Use as required - = Non illustrated part # = New this model year

April 9, 2002

Belts
Figure 007-503



ITEM	PART NUMBER	QTY	LINE	ENGINE	TRANS	DESCRIPTION
NOTE: Sales Codes:						
[ECB] = 2.0L SOHC 16V						
[ECH] = 2.0L 4 CYL SOHC 16V HI PERF						
[EJD] = 1.6L 4 CYL SOHC 16V SMPI						
1						BELT, Alternator Drive
	#4668 241AC	1		ECB		
		1		ECH		
2	4668 249AB	1		ECB, ECH		BELT, Power Steering, without Air Conditioning
3	4668 247AB	1		ECB, ECH		BELT, Accessory Drive, Air Conditioning
4	4668 454AB	1		EJD		BELT, Accessory Drive, without Air Conditioning
5	4668 452AB	1		EJD		BELT, Accessory Drive, Air Conditioning

DODGE - CHRYSLER NEON (PL)				
SERIES	LINE	BODY	ENGINE	TRANSMISSION
L=Low Line	Z= Chrysler, RHD	41 = 4 Door,	ECB = 2.0L 4 Cyl. , 16V SMPI	DD5 = 5 Speed Manual
H=High Line	D= Dodge	104WB	ECH = 2.0L 4 Cyl, 16V SOHC	DGL = 4 Speed Automatic
S = Special	C= Chrysler		EJD, EJ0 = 1.6L 4 Cyl 16v, SOHC	DG0 = All Automatics
P = Premium				DBB = All 5 Speed Manual
X = R/T				

AR = Use as required - = Non illustrated part # = New this model year

April 9, 2002

Lines, Oil Cooler
Figure 007-603

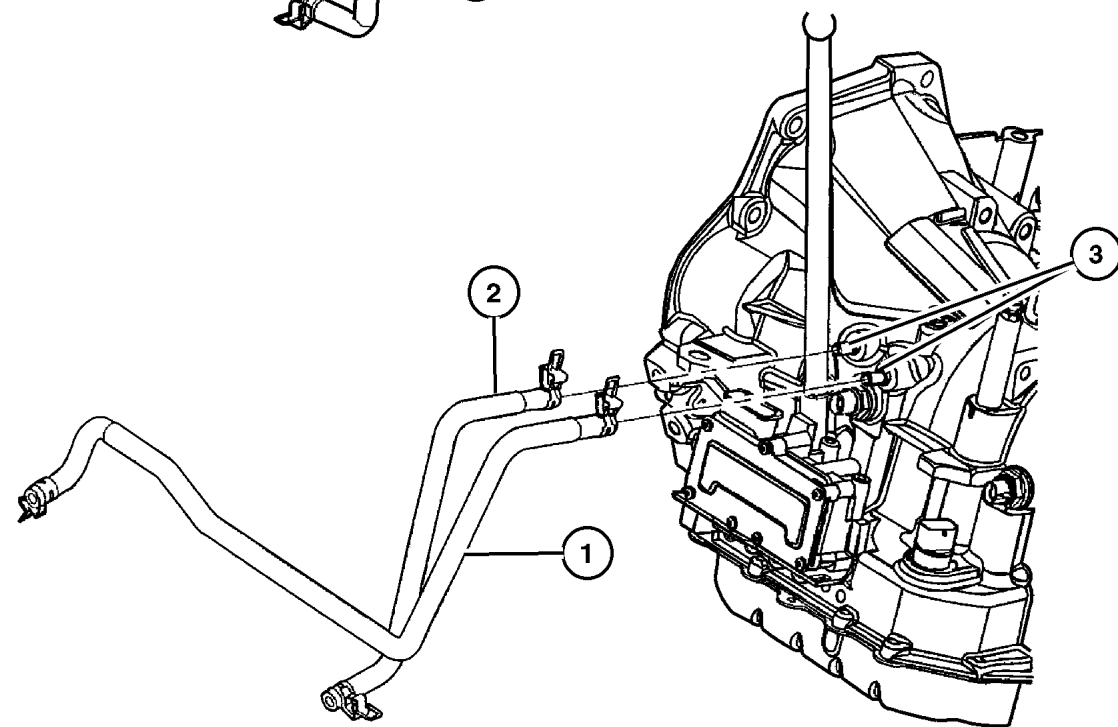
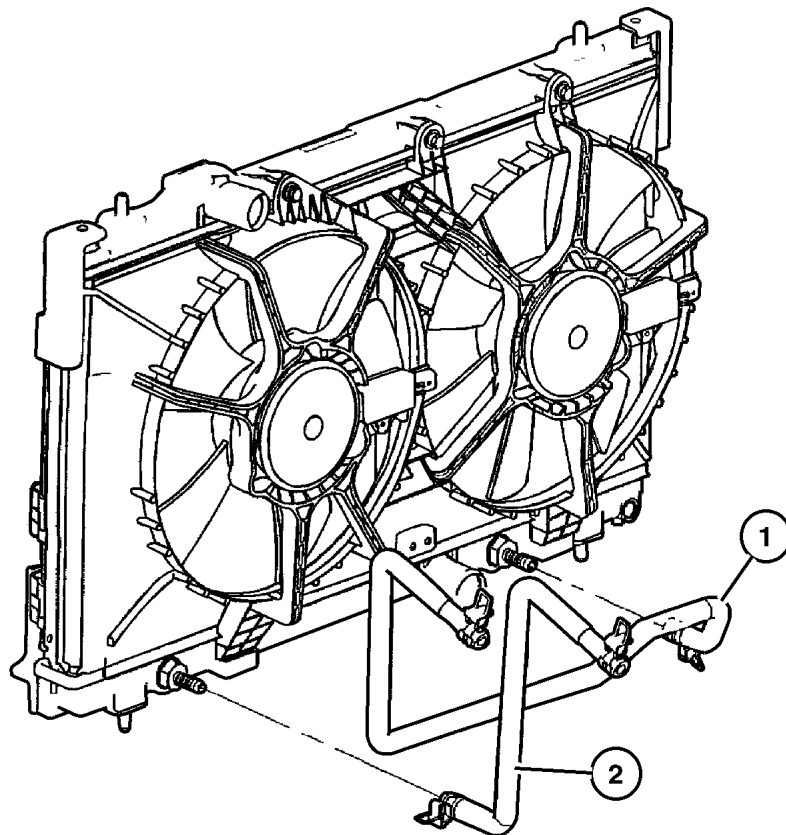
ITEM	PART NUMBER	QTY	LINE	ENGINE	TRANS	DESCRIPTION
------	-------------	-----	------	--------	-------	-------------

NOTE: Sales Codes:

[DGL] = TRANSMISSION - 4-SPD. AUTOMATIC,41TE

[ECB] = 2.0L SOHC 16V

1	#5278 925AB	1			DGL	HOSE, Transmission Oil Pressure
2	#5278 926AA	1			DGL	HOSE, Transmission Oil Return
3						CONNECTOR, Oil Cooler Hose
	4809 377AA	2		ECB	DGL	
		2		EJD	DGL	



DODGE - CHRYSLER NEON (PL)

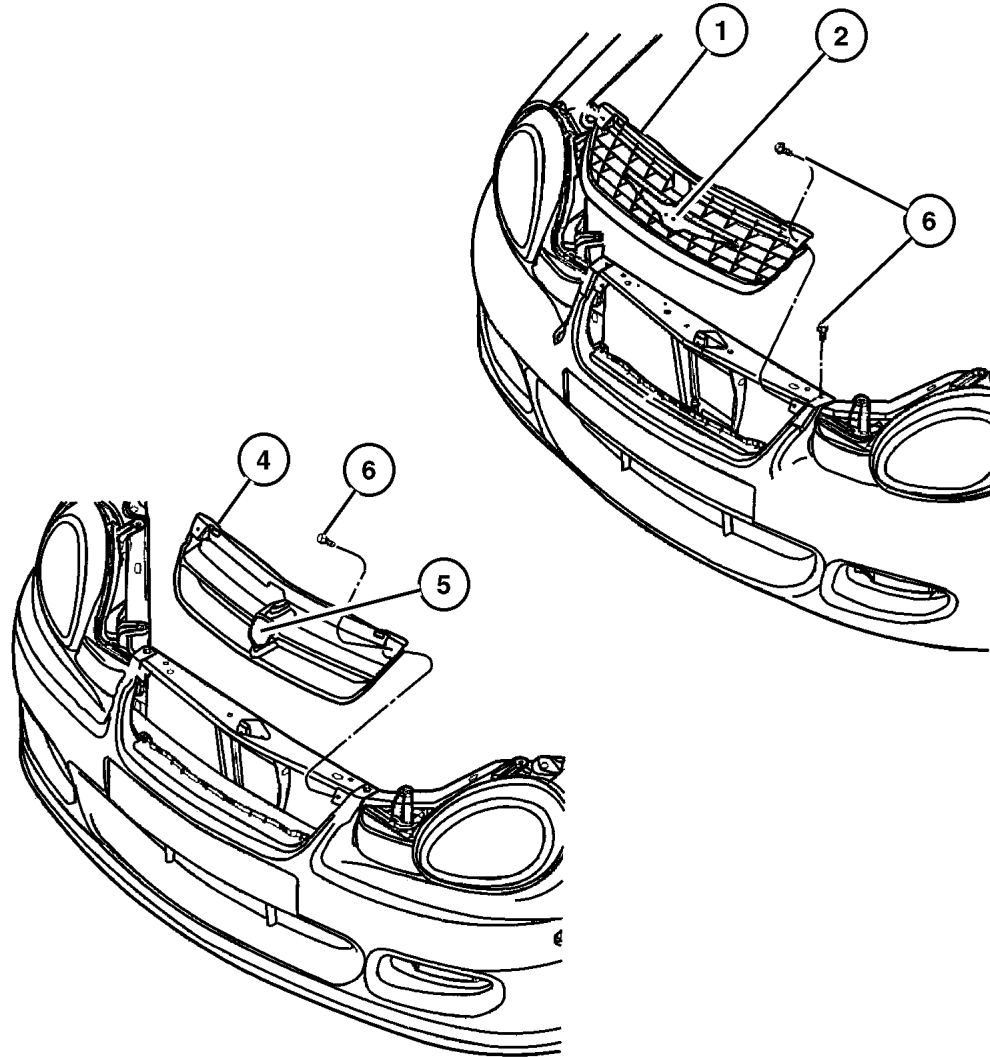
SERIES	LINE	BODY	ENGINE	TRANSMISSION
L=Low Line	Z= Chrysler, RHD	41 = 4 Door,	ECB = 2.0L 4 Cyl. , 16V SMPI	DD5 = 5 Speed Manual
H=High Line	D= Dodge	104WB	ECH = 2.0L 4 Cyl, 16V SOHC	DGL = 4 Speed Automatic
S = Special	C= Chrysler		EJD, EJ0 = 1.6L 4 Cyl 16v, SOHC	DG0 = All Automatics
P = Premium				DBB = All 5 Speed Manual
X = R/T				

AR = Use as required - = Non illustrated part # = New this model year

April 9, 2002

**Grille and Related Parts
Figure 007-703**

ITEM	PART NUMBER	QTY	LINE	ENGINE	TRANS	DESCRIPTION
1	5288 805AB	1				GRILLE, Radiator, Eggcrate
2	5288 887AA	1				MEDALLION, Grille
-3	5288 886AA	2				CLIP, Grille
4						GRILLE, Radiator, Body Color
	TH39 DX8AB	1				[X8]
	TH39 PR4AB	1				[R4]
	TH39 SW1AB	1				[W1]
	TH39 VLBAB	1				[LB]
	TH39 WB7AB	1				[B7]
	TH39 WS2AB	1				[S2]
	TH39 XBQAB	1				[BQ]
	TH39 XGRAB	1				[GR]
	TH39 XRVAB	1				[RV]
	TH39 ZKJAB	1				[KJ]
5	KS76 SZ1	1				NAMEPLATE, Medallion, Ram Head
6						SCREW, (NOT SERVICED)
-7	5288 886AA	2				CLIP, Grille



DODGE - CHRYSLER NEON (PL)

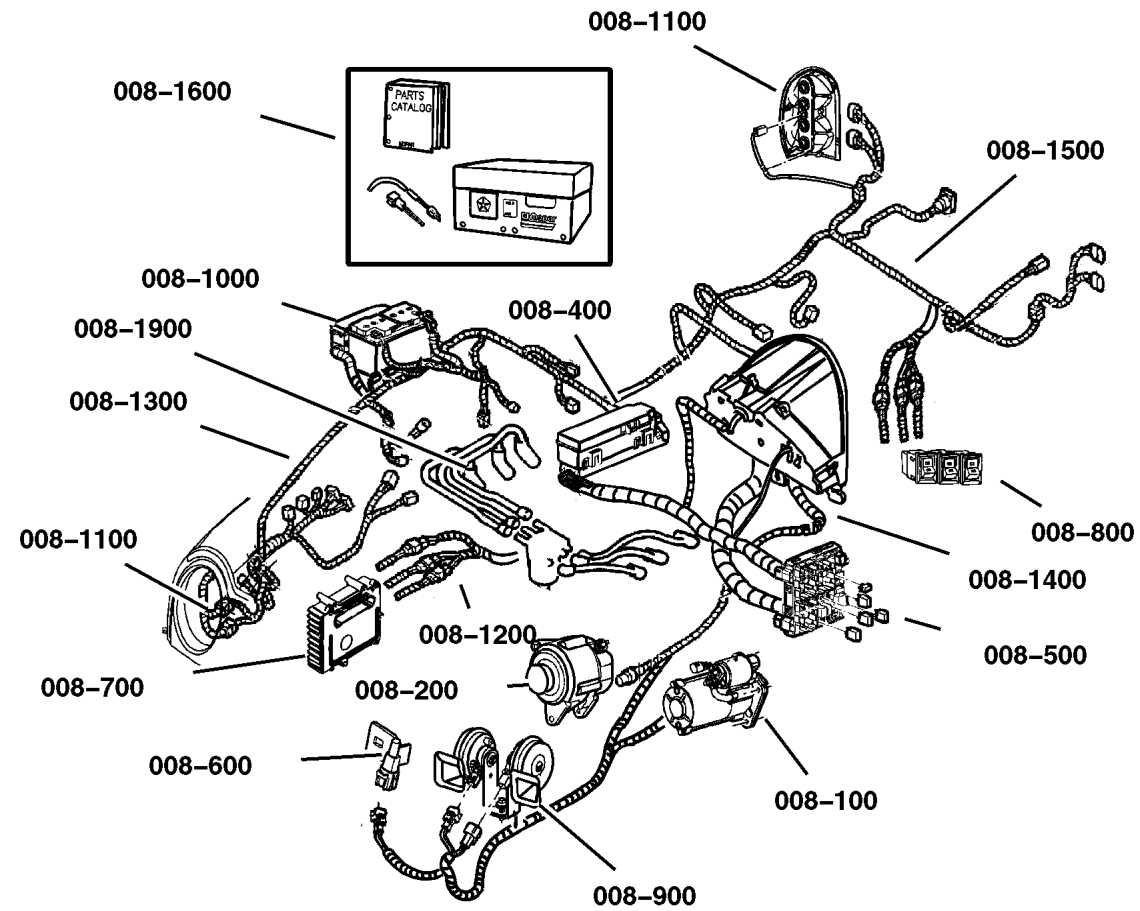
SERIES	LINE	BODY	ENGINE	TRANSMISSION
L=Low Line	Z= Chrysler, RHD	41 = 4 Door,	ECB = 2.0L 4 Cyl. , 16V SMPI	DD5 = 5 Speed Manual
H=High Line	D= Dodge	104WB	ECH = 2.0L 4 Cyl, 16V SOHC	DGL = 4 Speed Automatic
S = Special	C= Chrysler		EJD, EJ0 = 1.6L 4 Cyl 16v, SOHC	DG0 = All Automatics
P = Premium				DBB = All 5 Speed Manual
X = R/T				

AR = Use as required - = Non illustrated part # = New this model year

April 9, 2002

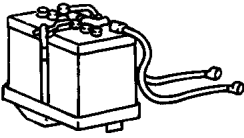
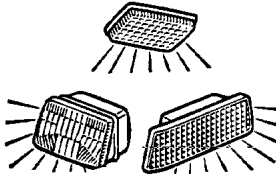
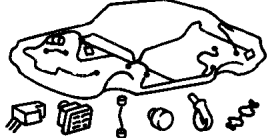
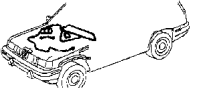



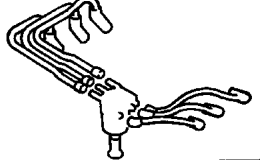
Group – 008

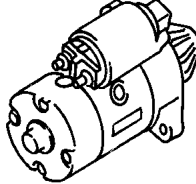
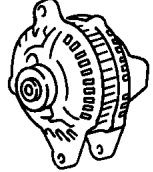
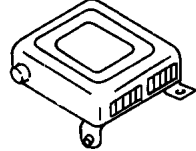
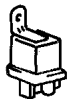
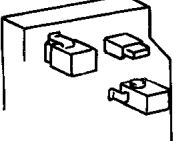
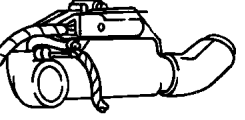
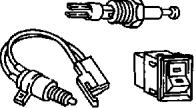
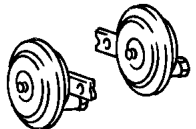
Electrical



Group – 008

Electrical

008-1000 Battery Tray and Cables 	008-1100 Lamps – Front, Rear and Courtesy 	008-1200 Wiring-Engine & Related Parts 	008-1300 Wiring-Headlamp to Dash 
008-1400 Wiring-Instrument Panel WIRING INSTR. PANEL 	008-1500 Wiring-Body & Accessories 	008-1600 Wiring Repair WIRING REPAIR PKG. 	008-1900 Spark Plugs-Cables-Coils 

008-100 Starters 	008-200 Alternators 	008-400 Modules 	008-500 Relays 
008-600 Sensors 	008-700 Single Board Engine Controllers 	008-800 Switches 	008-900 Horns 



GROUP 8 - Electrical**GROUP 8 - Electrical**

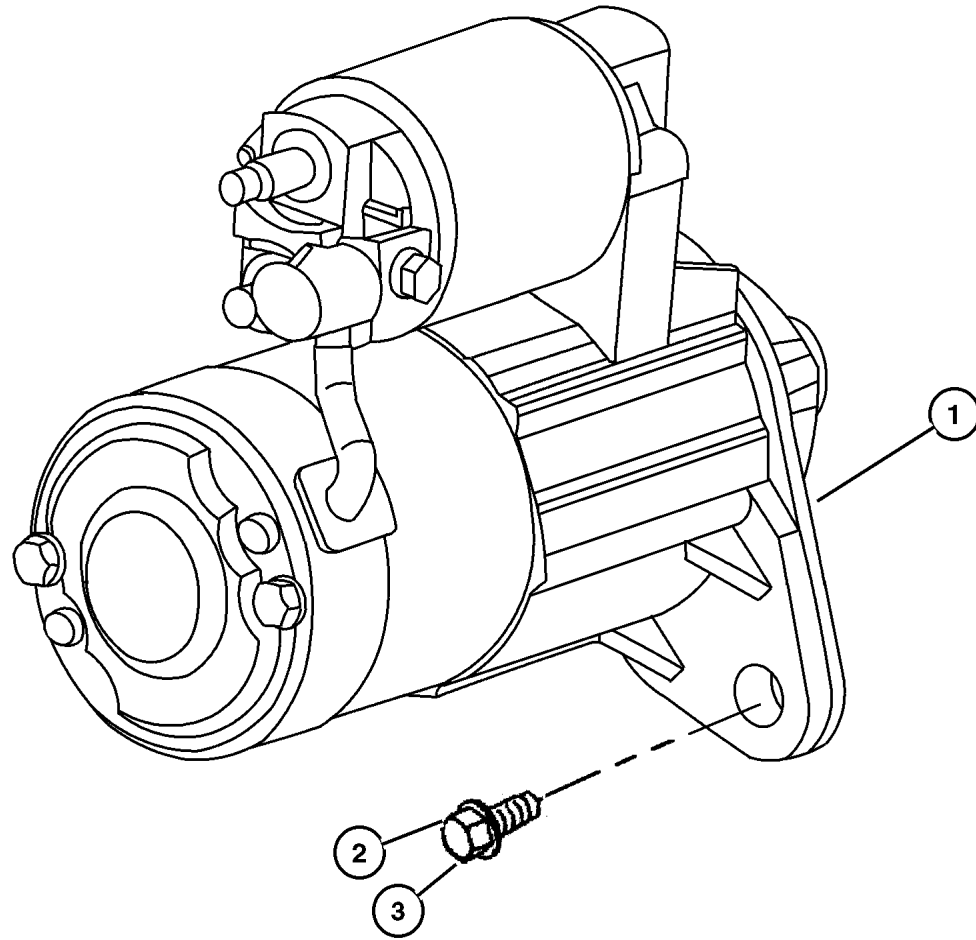
Illustration Title	Group-Fig. No.
Starters	
Starter	Fig. 008-105
Alternators	
Alternators	Fig. 008-205
Modules	
Modules, Electronic	Fig. 008-405
Relays	
Power Distribution Center - Relays , Fuses	Fig. 008-505
Fuse Block - Relay, Fuses, Circuit Breakers	Fig. 008-510
Sensors	
Sensors, Engine	Fig. 008-605
Sensors, Transmission	Fig. 008-610
Sensors, Body	Fig. 008-615
Single Board Engine Controllers	
Single Board Engine Controllers	Fig. 008-705
Switches	
Switches - Instrument Panel	Fig. 008-805
Switches - Power Train	Fig. 008-810
Switches - Body	Fig. 008-815
Horns	
Horns	Fig. 008-905
Battery Tray and Cables	
Battery Tray And Cables	Fig. 008-1005
Lamps - Front, Rear and Courtesy	
Lamps, Front	Fig. 008-1105
Lamps, Rear	Fig. 008-1110
Dome, Underhood and Cargo Lamps	Fig. 008-1115
Sockets And Bulbs	Fig. 008-1120
Wiring-Engine & Related Parts	
Wiring, Engine	Fig. 008-1205
Wiring-Headlamp to Dash	
Wiring, Headlamp and Power Distribution Center	Fig. 008-1305
Wiring-Instrument Panel	
Wiring, Instrument Panel	Fig. 008-1405

Illustration Title	Group-Fig. No.
Wiring-Body & Accessories	
Wiring, Body and Accessories	Fig. 008-1505
Wiring Repair	
Wiring Repair Packages	Fig. 008-1605
Spark Plugs-Cables-Coils	
Spark Plugs, Cables, Coils	Fig. 008-1905



**Starter
Figure 008-105**

ITEM	PART NUMBER	QTY	LINE	SERIES	BODY	ENGINE	TRANS	DESCRIPTION
[EBD] = 1.8L 4 Cylinder SOHC 16V								
[ECH] = 2.0, 4 Cylinder SOHC 16V Hi Perf								
[ECB] = 2.0, 4 Cylinder SOHC 16V								
[EJD] = 1.6, 4 Cylinder SOHC 16V								
1								STARTER
	5293 135AA	1				EJD		
	4793 493	1				ECB		
	5033 133AB	1				ECH		
2	6102 018	2				EJD		BOLT, Hex Flange Head, M12x1.75x65
3	6502 717	2				ECB, ECH		SCREW AND WASHER, Hex Head, M10x1.5x50
-4	6101 809	1				EJD		NUT AND WASHER, Hex, M8x1.25
-5	4794 038AB	1						INSULATOR, Starter, Positive terminal



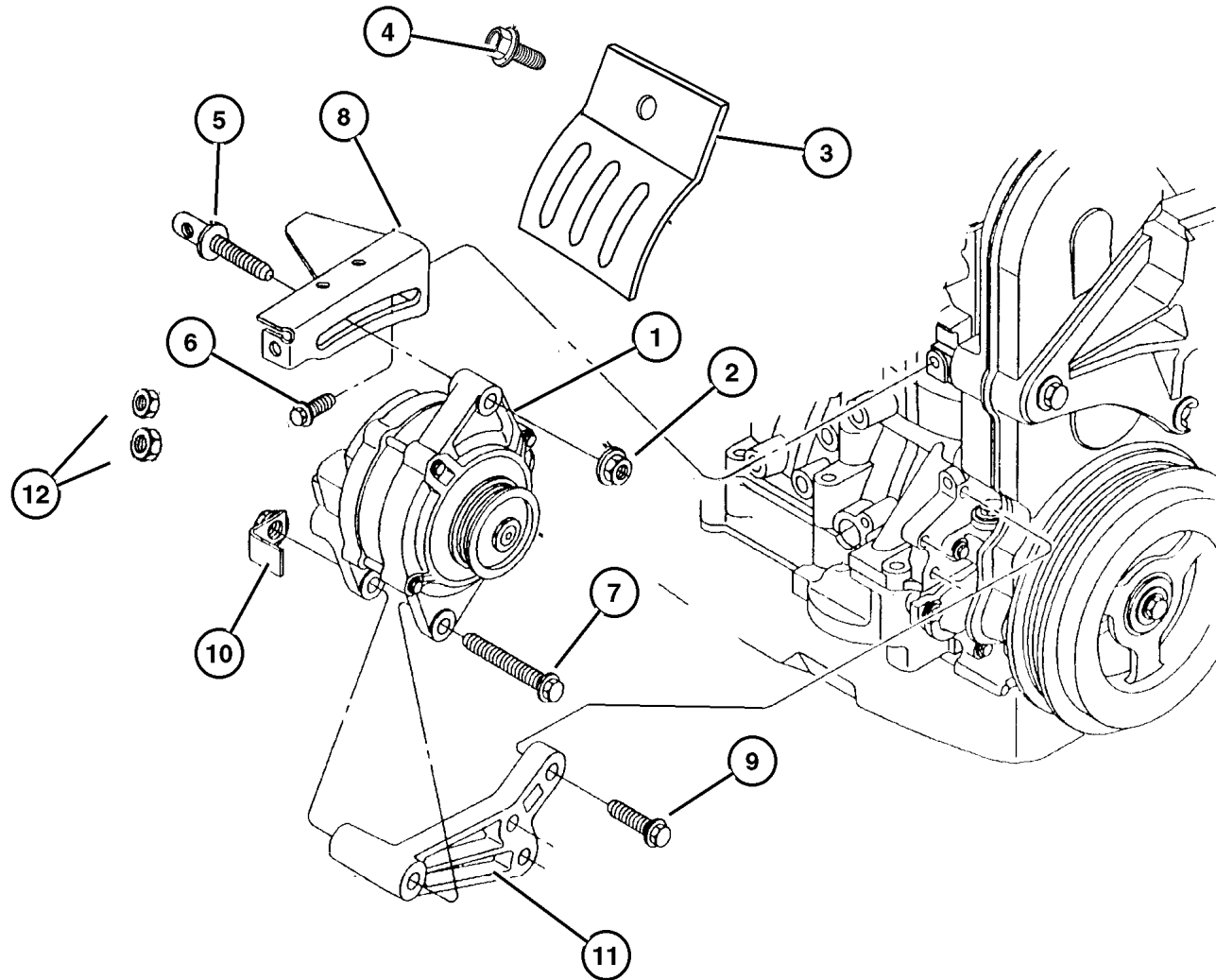
DODGE - CHRYSLER NEON (PL)

SERIES	LINE	BODY	ENGINE	TRANSMISSION
L=Low Line	Z= Chrysler, RHD	41 = 4 Door,	ECB = 2.0L 4 Cyl. , 16V SMPI	DD5 = 5 Speed Manual
H=High Line	D= Dodge	104WB	ECH = 2.0L 4 Cyl, 16V SOHC	DGL = 4 Speed Automatic
S = Special	C= Chrysler		EJD, EJO = 1.6L 4 Cyl 16v, SOHC	DG0 = All Automatics
P = Premium				DBB = All 5 Speed Manual
X = R/T				

AR = Use as required - = Non illustrated part # = New this model year

April 9, 2002

Alternators Figure 008-205



ITEM	PART NUMBER	QTY	LINE	SERIES	BODY	ENGINE	TRANS	DESCRIPTION
[EJD] = 1.6, 4 Cylinder SOHC								
[ECH]= 2.0, 4 Cylinder SOHC 16V Hi Perf								
[ECB] = 2.0, 4 Cylinder SOHC 16V								
1								ALTERNATOR
	4794 142AC	1				EJD		
	4794 222AC	1				ECB		
		1				ECH		
2								NUT AND WASHER, Hex Nut-Coned Washer, M10 x 1.5
	6101 448	1				ECB		
		1				ECH		
3								SHIELD, Alternator, (NOT SERVICED)
4								SCREW AND WASHER, Hex Head Lock, M8x1.25x95
	6503 705	1				ECB		
		1				ECH		
5								SCREW, Header Point, M10x1.50x50.00
	6504 286	1				ECB		
		1				ECH		
6								SCREW AND WASHER, Hex Head, M10x1.5x25
	6101 503	2				ECB		
		2				ECH		
7								SCREW AND WASHER, Hex Head, M10x1.5x105
	6101 623	1				ECB		
		1				ECH		
8								BRACKET, Alternator
	4612 132AB	1				ECB		
		1				ECH		
9								SCREW AND WASHER, Hex Head, M10x1.5x45
	6101 512	3				ECB		
		3				ECH		
10								NUT AND RETAINER, Hex Flange Locking, M10 x 1.50
	6502 987	1				ECB		
		1				ECH		
11								BRACKET, Alternator
	4668 250	1				ECB		
		1				ECH		
12								NUT

DODGE - CHRYSLER NEON (PL)

SERIES	LINE	BODY	ENGINE	TRANSMISSION
L=Low Line	Z= Chrysler, RHD	41 = 4 Door, 104WB	ECB = 2.0L 4 Cyl. , 16V SMPI	DD5 = 5 Speed Manual
H=High Line	D= Dodge		ECH = 2.0L 4 Cyl, 16V SOHC	DGL = 4 Speed Automatic
S = Special	C= Chrysler		EJD, EJO = 1.6L 4 Cyl 16v, SOHC	DG0 = All Automatics
P = Premium				DBB = All 5 Speed Manual
X = R/T				

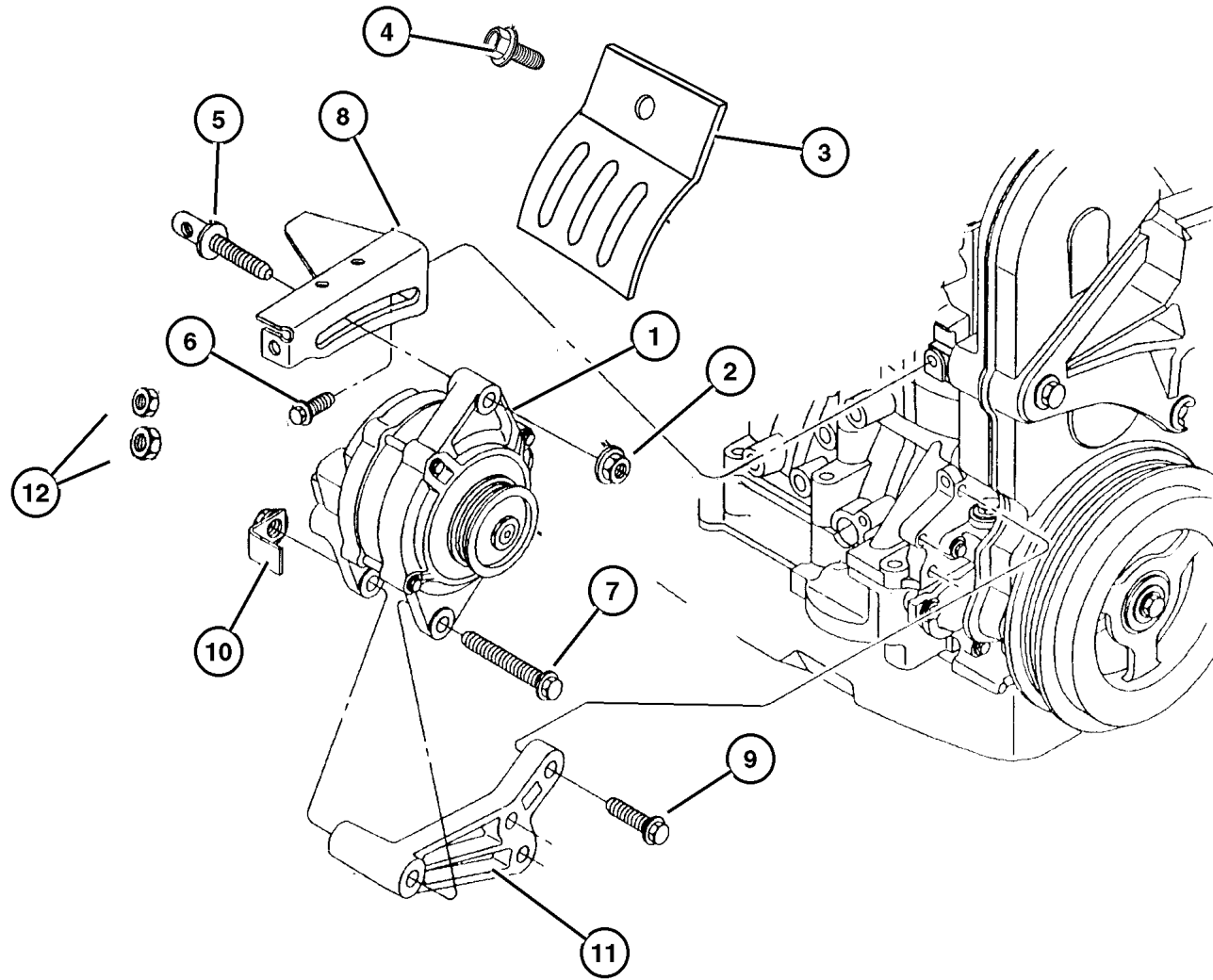
AR = Use as required - = Non illustrated part # = New this model year

April 9, 2002

**Alternators
Figure 008-205**

ITEM	PART NUMBER	QTY	LINE	SERIES	BODY	ENGINE	TRANS	DESCRIPTION
------	-------------	-----	------	--------	------	--------	-------	-------------

	6101 802	1				ECB		
		1				ECH		
		1				EJD		



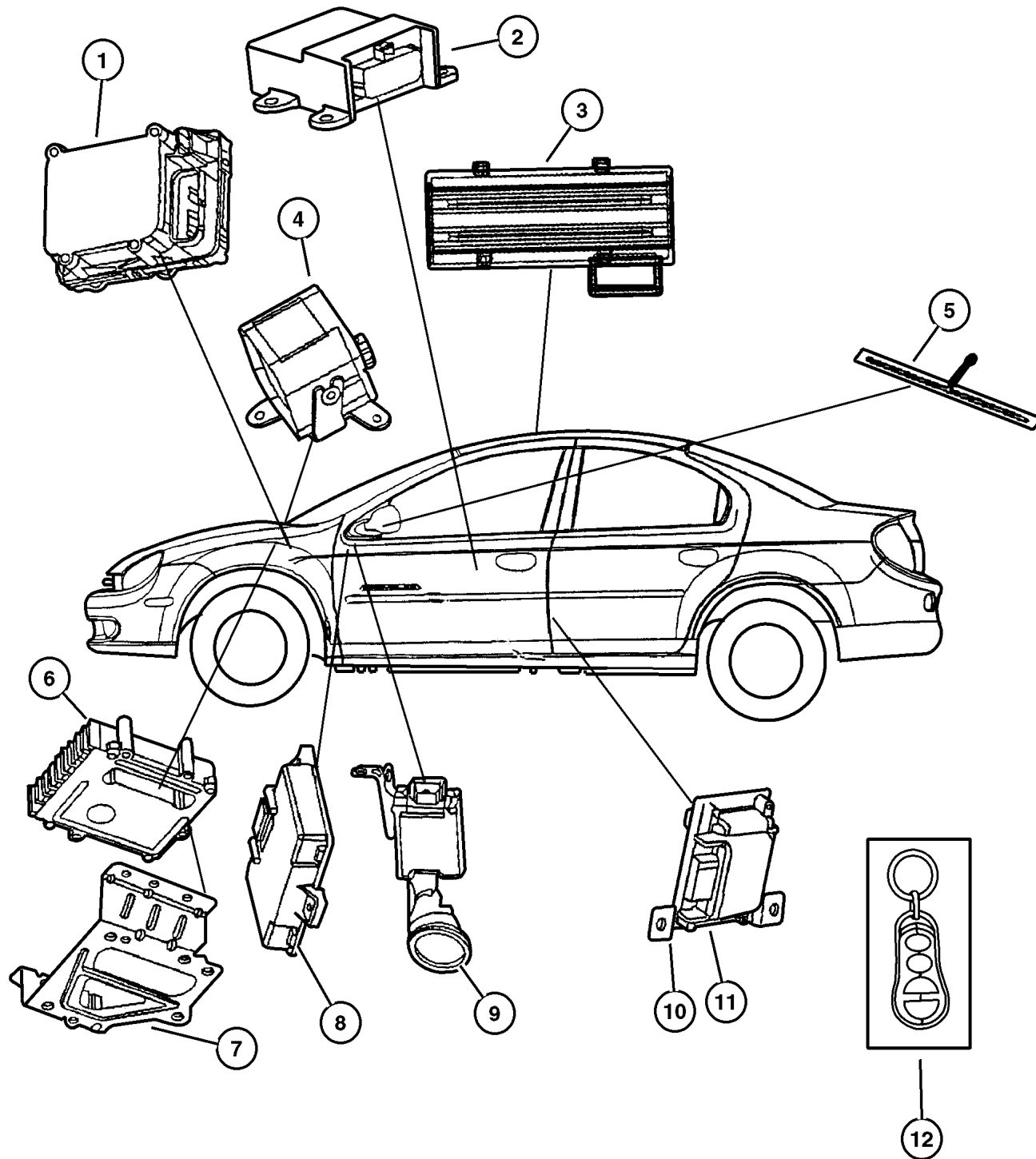
DODGE - CHRYSLER NEON (PL)

SERIES	LINE	BODY	ENGINE	TRANSMISSION
L=Low Line	Z= Chrysler, RHD	41 = 4 Door,	ECB = 2.0L 4 Cyl. , 16V SMPI	DD5 = 5 Speed Manual
H=High Line	D= Dodge	104WB	ECH = 2.0L 4 Cyl, 16V SOHC	DGL = 4 Speed Automatic
S = Special	C= Chrysler		EJD, EJO = 1.6L 4 Cyl 16v, SOHC	DG0 = All Automatics
P = Premium				DBB = All 5 Speed Manual
X = R/T				

AR = Use as required - = Non illustrated part # = New this model year

April 9, 2002

Modules, Electronic
Figure 008-405



ITEM	PART NUMBER	QTY	LINE	SERIES	BODY	ENGINE	TRANS	DESCRIPTION
[ECB] = 2.0, 4 Cylinder SOHC 16V								
[DGL] = 4 SPEED AUTO (EATX)								
1	#5072 662AA	1						MODULE, Anti-Lock Brake System
2	4671 774AB	1						MODULE, Air Bag Control
3	5008 606AA	1						CONTROL UNIT, Sunroof
4	4671 743AA	1						SIREN, Alarm, Export
5	4686 752AB	1						WIRING, Remote Keyless Entry Antenna, Export
6	#5034 002AA	1					DGL	MODULE, EATX
7	5033 017AA	1				ECB	DGL	BRACKET, Transmission Control Unit
8	5293 045AF	1	Z					RECEIVER, Keyless Entry
9	4671 722AC	1						MODULE, Immobilizer
10								MODULE, Side Impact Right
	#4671 850AC	1						Export
	#5293 230AE	1						Export
11								MODULE, Side Impact Left
	#4671 849AC	1						Export
	#5293 231AE	1						Export
12	4759 008AD	2						TRANSMITTER, Keyless Entry

DODGE - CHRYSLER NEON (PL)

SERIES	LINE	BODY	ENGINE	TRANSMISSION
L=Low Line	Z= Chrysler, RHD	41 = 4 Door,	ECB = 2.0L 4 Cyl. , 16V SMPI	DD5 = 5 Speed Manual
H=High Line	D= Dodge	104WB	ECH = 2.0L 4 Cyl, 16V SOHC	DGL = 4 Speed Automatic
S = Special	C= Chrysler		EJD, EJO = 1.6L 4 Cyl 16v, SOHC	DG0 = All Automatics
P = Premium				DBB = All 5 Speed Manual
X = R/T				

AR = Use as required - = Non illustrated part # = New this model year

April 9, 2002

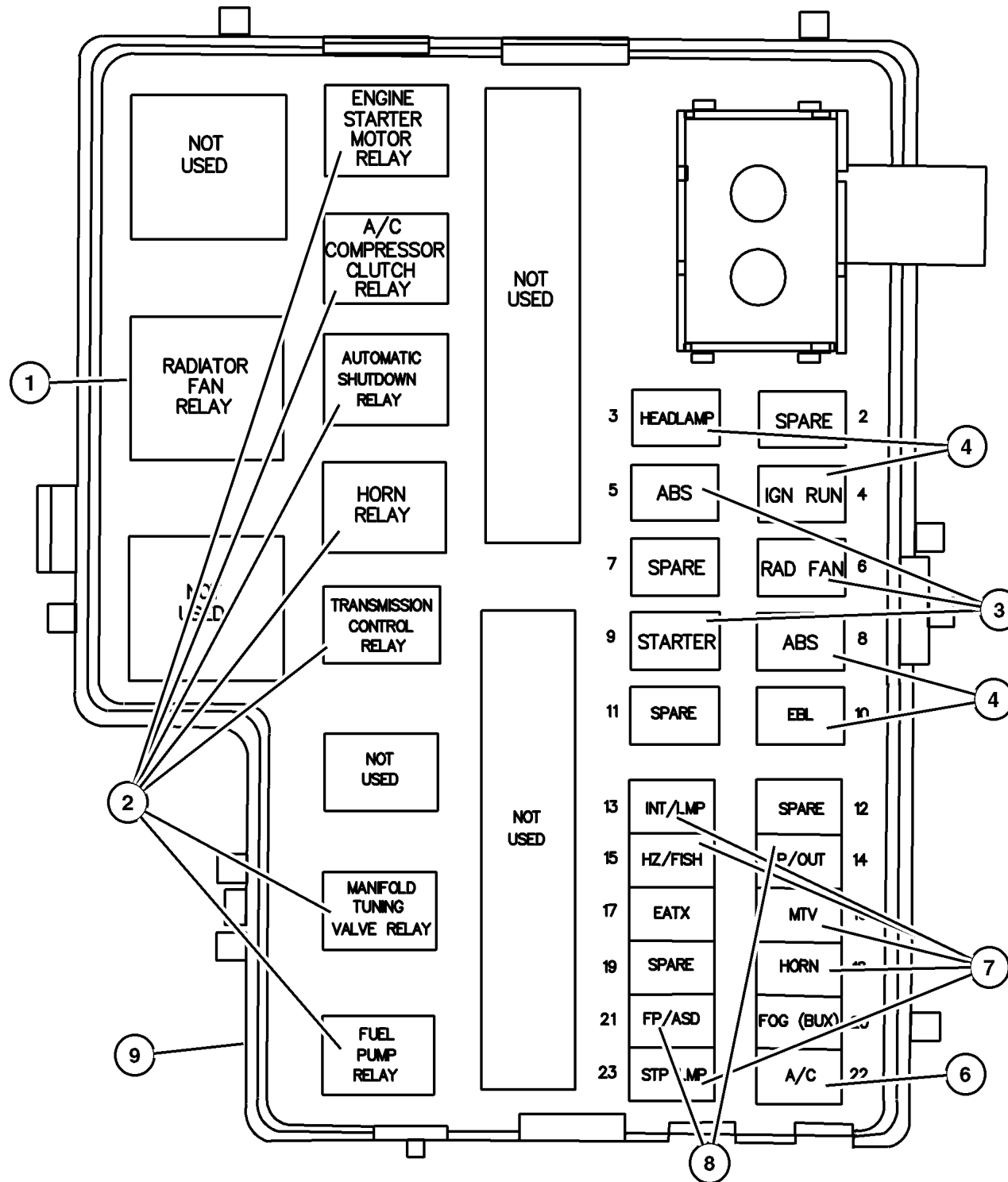
Power Distribution Center - Relays , Fuses
Figure 008-505

ITEM	PART NUMBER	QTY	LINE	SERIES	BODY	ENGINE	TRANS	DESCRIPTION
------	-------------	-----	------	--------	------	--------	-------	-------------

[ECB] = 2.0L 4 Cylinder 16V SMPI
[ECH] = 2.0L 4 Cylinder 16 V SOHC
[EJD] = 1.6L 4 Cylinder 16V SOHC
[DD5] = 5 Speed Manual Transmission
[DGL] = 4 Speed Automatic Transmission
[DGC] = 3 Speed Automatic Transmission

1	4638 094	1	D, P				DGC	RELAY PACKAGE, Electrical
2	5269 988AA	1						RELAY, Mini, Starter,Fuel Pump,Horn,A/C Clutch
3	6102 076AA	1	C, D			ECB, ECH	DD5	FUSE CARTRIDGE, 30 Amp
		1	C, D			ECB	DGL	
		1	Z			ECB, ECH	DD5	
		1	Z			ECB	DGL	
4	6102 077AA	1	Z			EJD	DD5	FUSE CARTRIDGE, 40 Amp
		1	C, D			EJD	DD5	
		1	Z			ECB	DGL	
		1	C, D			ECB, ECH	DD5	
-5	4671 714AB	1	C, D			ECH	DGL	FLASHER
	4671 715AB	1						Export
6	00AT M10	2				ECH		FUSE, Mini, 10 AMP, Red
7	00AT M15	1						FUSE, Mini, 15 AMP, Light Blue
8	00AT M20	1						FUSE, Mini, 20 AMP, Yellow, Wiper
9	4793 903AD	1						HOUSING, Fuse And Relay Center, Power Distribution Center
-10	4793 904AC	1						COVER, Power Distribution Center Upper
	4794 076AB	1						Lower

POWER DISTRIBUTION CENTER



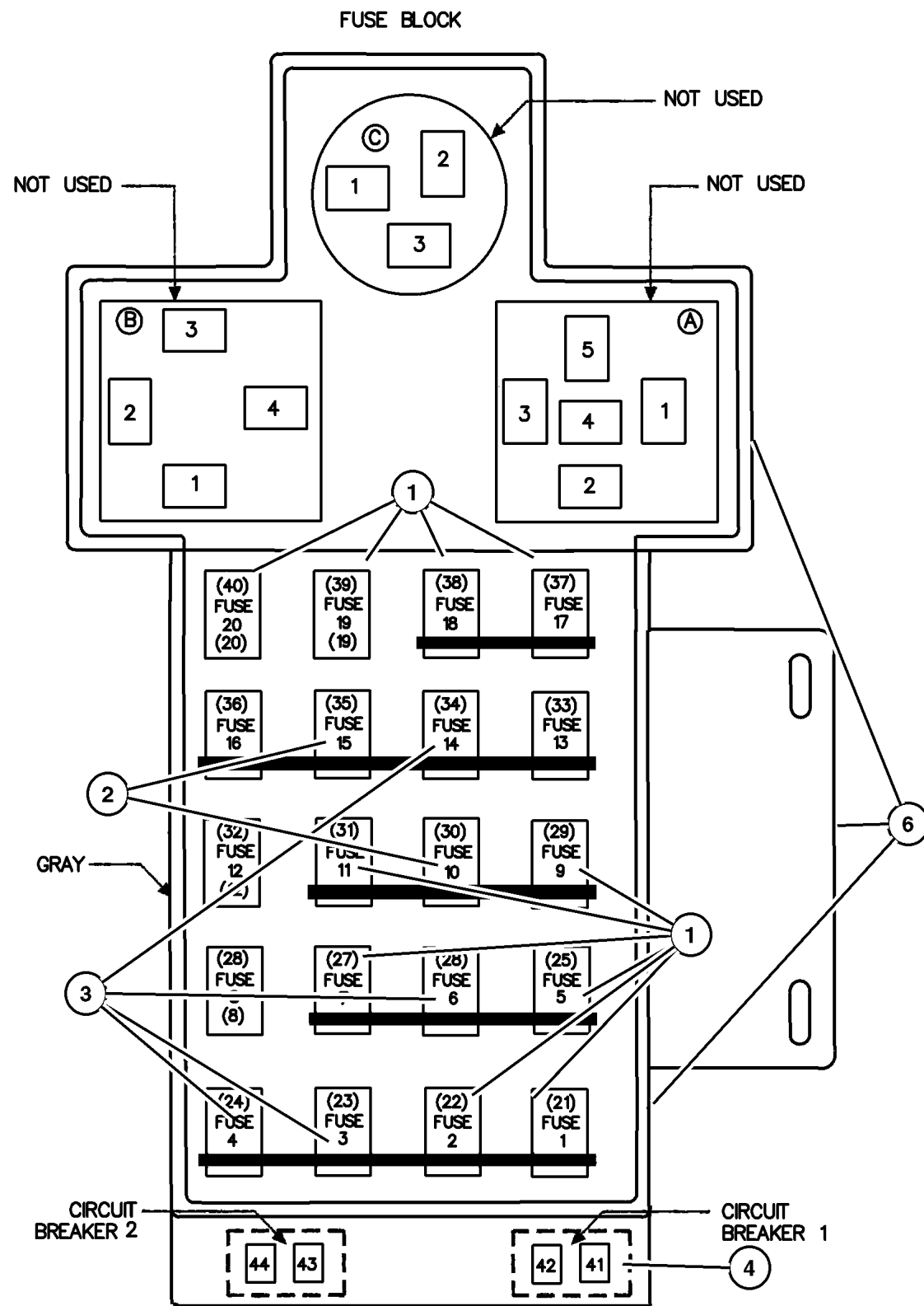
DODGE - CHRYSLER NEON (PL)

SERIES	LINE	BODY	ENGINE	TRANSMISSION
L=Low Line	Z= Chrysler, RHD	41 = 4 Door, 104WB	ECB = 2.0L 4 Cyl. , 16V SMPI	DD5 = 5 Speed Manual
H=High Line	D= Dodge		ECH = 2.0L 4 Cyl, 16V SOHC	DGL = 4 Speed Automatic
S = Special	C= Chrysler		EJD, EJO = 1.6L 4 Cyl 16v, SOHC	DG0 = All Automatics
P = Premium				DBB = All 5 Speed Manual
X = R/T				

AR = Use as required - = Non illustrated part # = New this model year

April 9, 2002

Fuse Block - Relay, Fuses, Circuit Breakers Figure 008-510



ITEM	PART NUMBER	QTY	LINE	SERIES	BODY	ENGINE	TRANS	DESCRIPTION
1	00AT M10	2						FUSE, Mini, 10 AMP, Red
2	00AT M15	1				ECH		FUSE, Mini, 15 AMP, Light Blue
3	00AT M20	1						FUSE, Mini, 20 AMP, Yellow
4	4414 333	1						BREAKER, Circuit, 30 AMP
-5								FLASHER, LOCATED IN MULTIFUNCTION SWITCH
	4671 714AB	1	C, D					Export
	4671 715AB	1						BLOCK, Fuse, (NOT SERVICED)
6								

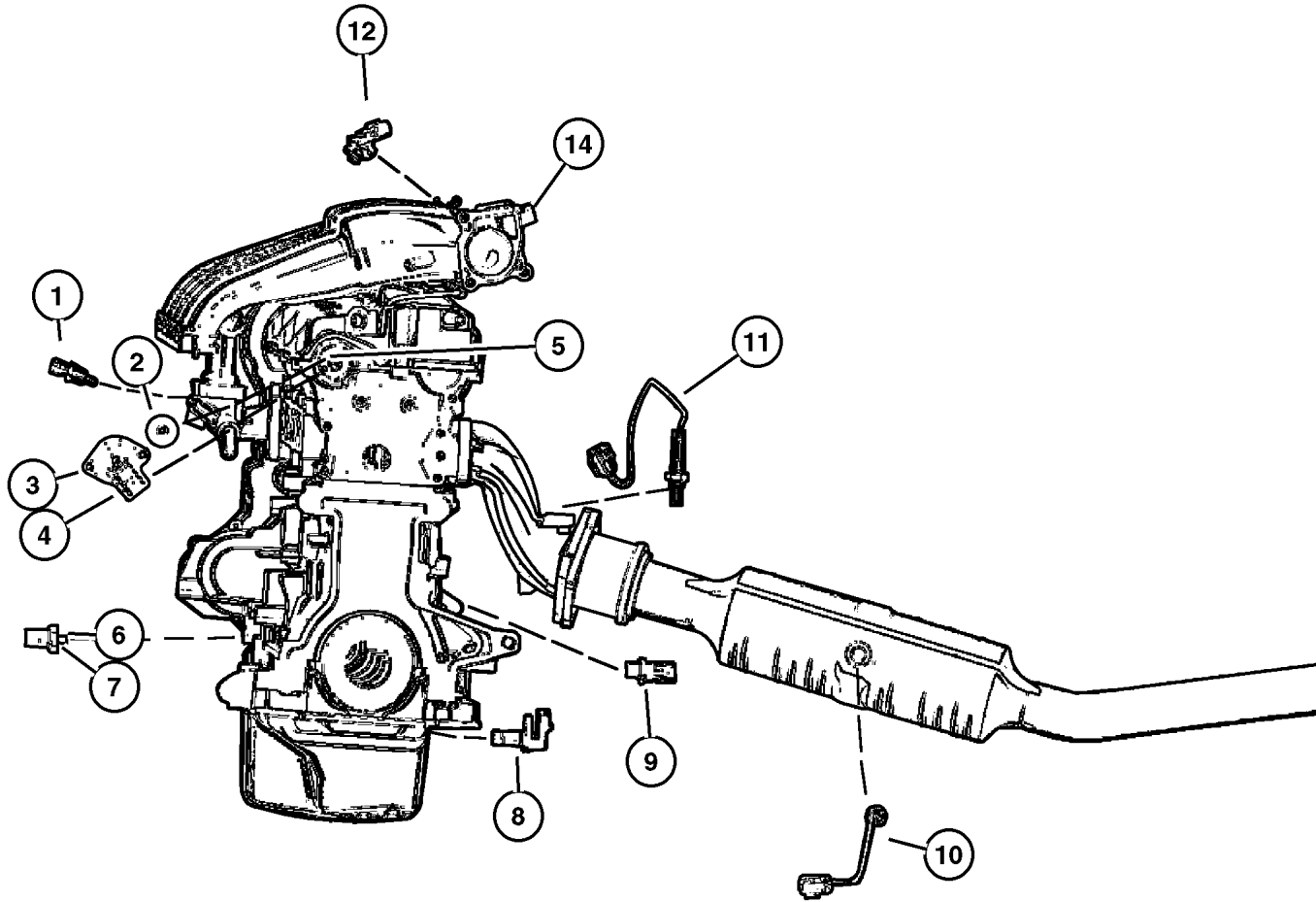
DODGE - CHRYSLER NEON (PL)

SERIES	LINE	BODY	ENGINE	TRANSMISSION
L=Low Line	Z= Chrysler, RHD	41 = 4 Door,	ECB = 2.0L 4 Cyl. , 16V SMPI	DD5 = 5 Speed Manual
H=High Line	D= Dodge	104WB	ECH = 2.0L 4 Cyl, 16V SOHC	DGL = 4 Speed Automatic
S = Special	C= Chrysler		EJD, EJO = 1.6L 4 Cyl 16v, SOHC	DG0 = All Automatics
P = Premium				DBB = All 5 Speed Manual
X = R/T				

AR = Use as required - = Non illustrated part # = New this model year

April 9, 2002

Sensors, Engine
Figure 008-605



ITEM	PART NUMBER	QTY	LINE	SERIES	BODY	ENGINE	TRANS	DESCRIPTION
[EJD]=1.6L SOHC								
[ECH]=2.0L SOHC HI PERF								
[ECB]=2.0L SOHC								
[DGL]= 4 Speed Automatic								
[DGC]=3 Speed Automatic								
1								SENSOR, Coolant Temperature
	5269 870AB	1				EJD	DGL	
	5602 7873	1				ECB		
		1				ECH		
2								CAM MAGNET, Target
	5269 547	1				ECB		
		1				ECH		
3								SENSOR PACKAGE, Camshaft, Note: use [04882850AC] , (NOT SERVICED)
4	5293 161AA	1				EJD	DGL	SENSOR, Camshaft
5								SEAL, Camshaft Sensor
	4884 111AA	1				ECB		
		1				ECH		
6								SENSOR, Knock
	4557 667	1				ECB		
		1				ECH		
7								SENSOR, Detonation
	4606 093AC	1				EJD	DGL	
		1				EJD	DD5	
8								SENSOR, Crankshaft Position
	5269 703	1				ECB		
		1				ECH		
	5293 093AA	1				EJD	DGL	
9								SWITCH, Oil Pressure
	4608 303	1				ECB		
		1				ECH		
		1				EJD	DD5	
10								SENSOR, Oxygen
	5033 039AA	1				ECB, ECH		Downstream
	5033 081AA	1				ECB		Downstream (California)
		1				EJD		Downstream
	5033 188AA	1				ECB, ECH		Export
11								SENSOR, Oxygen
	4686 736AB	1				EJD		Upstream

DODGE - CHRYSLER NEON (PL)

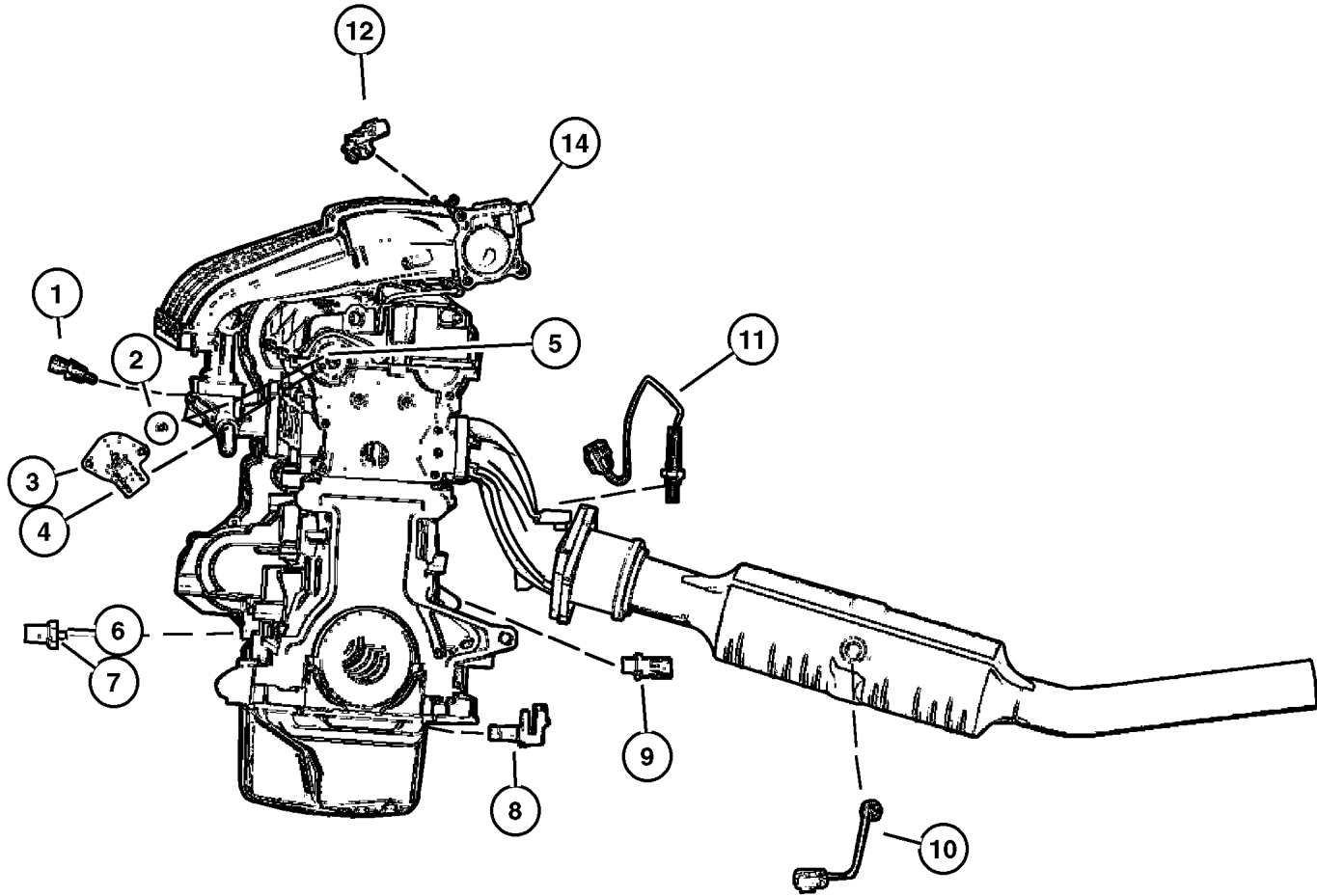
SERIES	LINE	BODY	ENGINE	TRANSMISSION
L=Low Line	Z= Chrysler, RHD	41 = 4 Door,	ECB = 2.0L 4 Cyl. , 16V SMPI	DD5 = 5 Speed Manual
H=High Line	D= Dodge	104WB	ECH = 2.0L 4 Cyl, 16V SOHC	DGL = 4 Speed Automatic
S = Special	C= Chrysler		EJD, EJ0 = 1.6L 4 Cyl 16v, SOHC	DG0 = All Automatics
P = Premium				DBB = All 5 Speed Manual
X = R/T				

AR = Use as required - = Non illustrated part # = New this model year

April 9, 2002

Sensors, Engine
Figure 008-605

ITEM	PART NUMBER	QTY	LINE	SERIES	BODY	ENGINE	TRANS	DESCRIPTION
	5269 868AB	1				ECH		Upstream
12	4686 684AA	1				EJD	DGL	SENSOR, Map
		1				ECB		
		1				ECH		
-13	6035 957AA	2				ECH		SCREW, Map Sensor
14	4874 430AB	1				ECB,	DD5	SENSOR KIT, Throttle Position
						ECH		
-15								SENSOR, Temperature
	5293 138AA	1				EJD		Air Temperature Inlet
		1				ECB	DGL	Air Temperature Inlet
		1				ECB,	DD5	Air Temperature Inlet
						ECH		



DODGE - CHRYSLER NEON (PL)

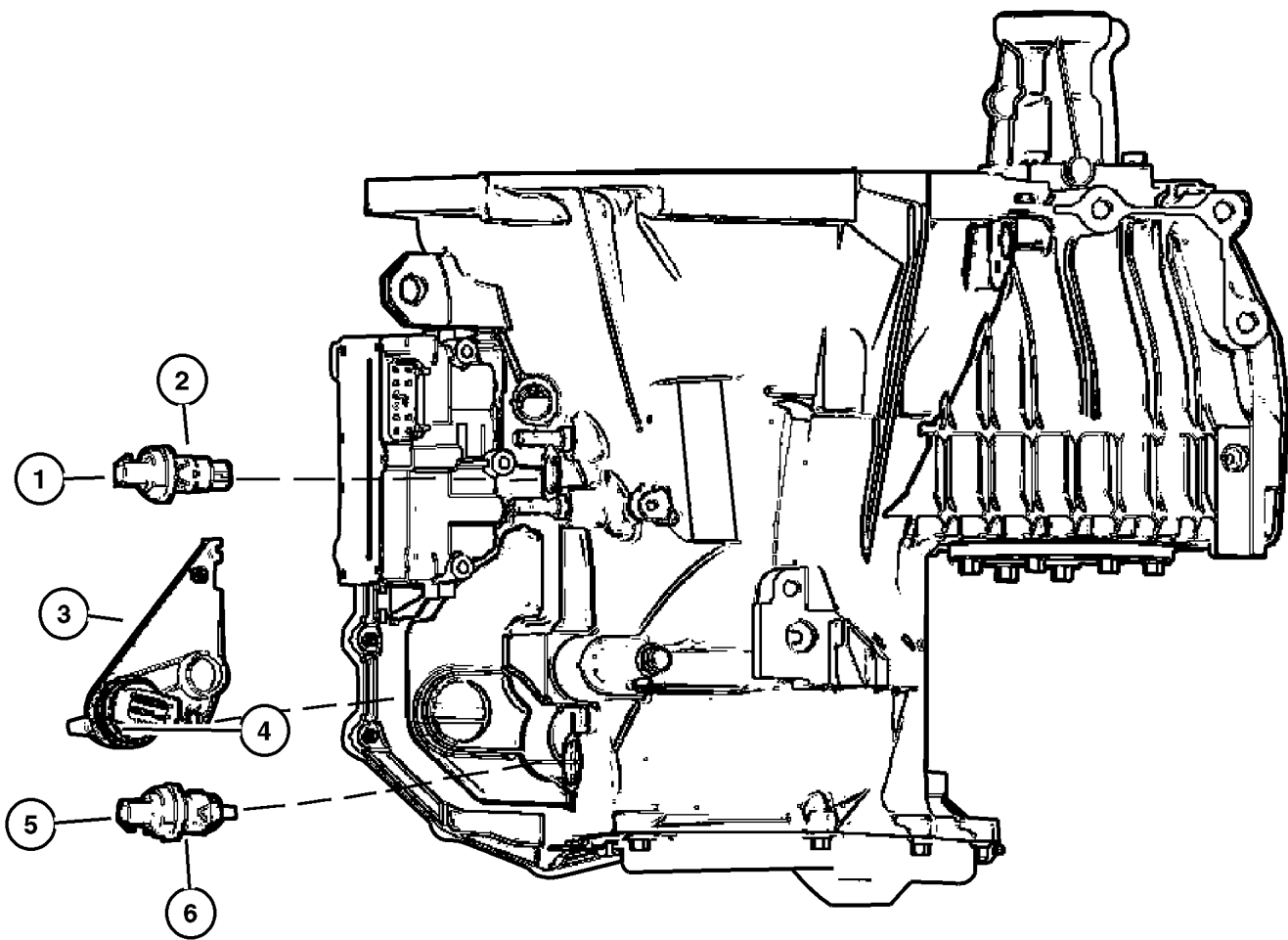
SERIES	LINE	BODY	ENGINE	TRANSMISSION
L=Low Line	Z= Chrysler, RHD	41 = 4 Door,	ECB = 2.0L 4 Cyl. , 16V SMPI	DD5 = 5 Speed Manual
H=High Line	D= Dodge	104WB	ECH = 2.0L 4 Cyl, 16V SOHC	DGL = 4 Speed Automatic
S = Special	C= Chrysler		EJD, EJO = 1.6L 4 Cyl 16v, SOHC	DG0 = All Automatics
P = Premium				DBB = All 5 Speed Manual
X = R/T				

AR = Use as required - = Non illustrated part # = New this model year

April 9, 2002

Sensors, Transmission
Figure 008-610

ITEM	PART NUMBER	QTY	LINE	SERIES	BODY	ENGINE	TRANS	DESCRIPTION
[ECB]=2.0L								
[DGL]=4-SPD. AUTOMATIC,41TE								
[DD5] - 5 SPEED MANUAL TRANSMISSION								
[DGC] = 3 SPEED AUTOMATIC TRANSMISSION								
1								SENSOR, Transmission Input Speed
	4800 878	1				ECB	DGL	
		1				EJD	DGL	
2								O RING, Trans Speed Sensor
	6501 657AB	1				ECB	DGL	
		1				EJD	DGL	
3								SENSOR, Transmission Range
	4659 676AC	1				ECB	DGL	
		1				EJD	DGL	
4								SEAL, Manual Valve Position Sensor
	4659 678	1				ECB	DGL	
		1				EJD	DGL	
5								SENSOR, Transmission Output Speed
	4800 879	1				ECB	DGL	
		1				EJD	DGL	
6								O RING, Trans Speed Sensor
	6501 658AB	1				ECB	DGL	
		1				EJD	DGL	
-7	4707 839AA	1					DD5	SENSOR, Vehicle Speed



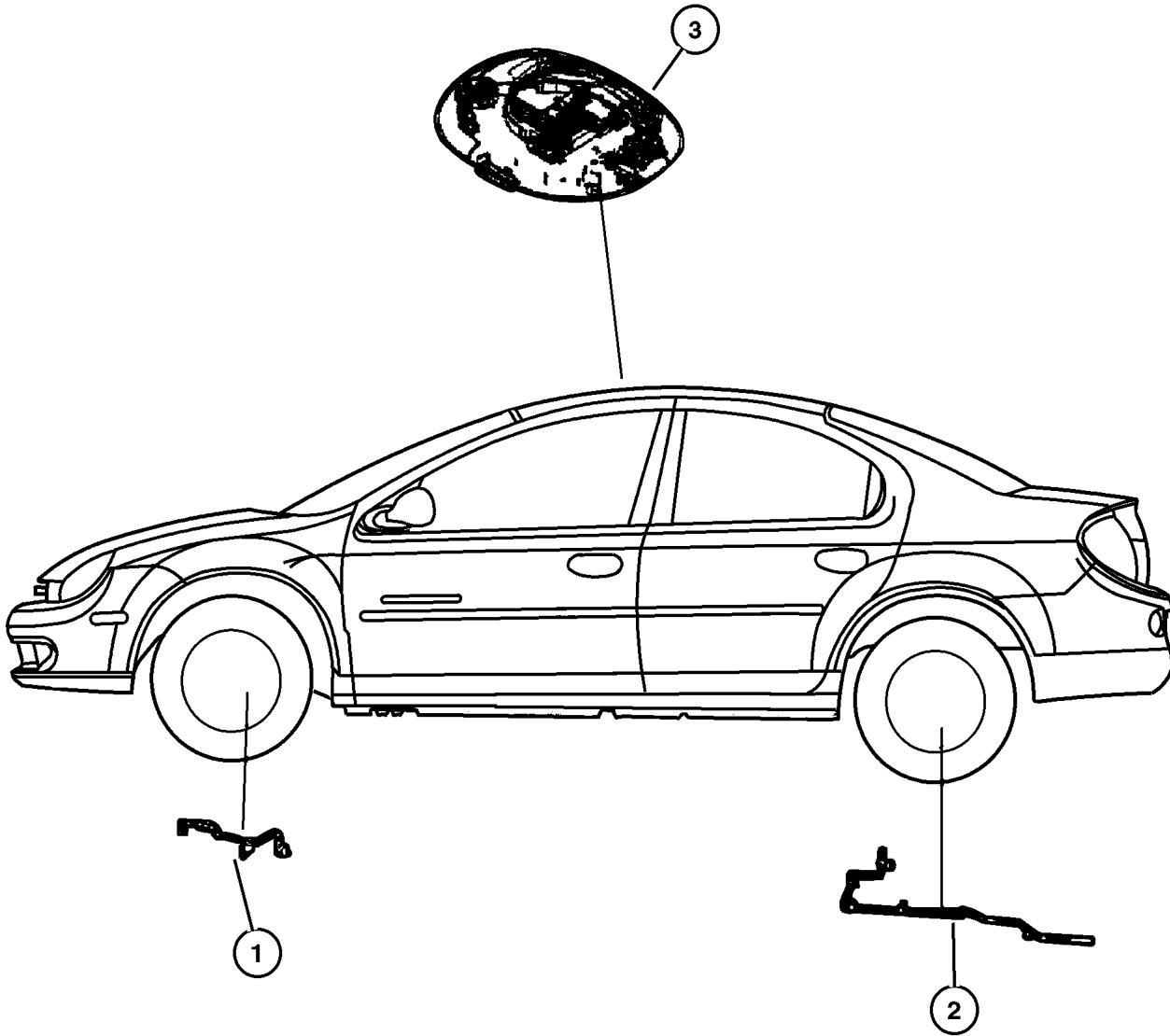
DODGE - CHRYSLER NEON (PL)

SERIES	LINE	BODY	ENGINE	TRANSMISSION
L=Low Line	Z= Chrysler, RHD	41 = 4 Door,	ECB = 2.0L 4 Cyl. , 16V SMPI	DD5 = 5 Speed Manual
H=High Line	D= Dodge	104WB	ECH = 2.0L 4 Cyl, 16V SOHC	DGL = 4 Speed Automatic
S = Special	C= Chrysler		EJD, EJO = 1.6L 4 Cyl 16v, SOHC	DG0 = All Automatics
P = Premium				DBB = All 5 Speed Manual
X = R/T				

AR = Use as required - = Non illustrated part # = New this model year

April 9, 2002

Sensors, Body
Figure 008-615



ITEM	PART NUMBER	QTY	LINE	SERIES	BODY	ENGINE	TRANS	DESCRIPTION
1								SENSOR, Anti-Lock Brakes
	5273 332	1						Right Front
	5273 333	1						Left Front
2								SENSOR, Anti-Lock Brakes
	5273 330	1						Right Rear
	5273 331	1						Left Rear
3	RP45 TL2AC	1						SENSOR, Intrusion Module
-4	5604 2395	1						SENSOR, Ambient Temperature

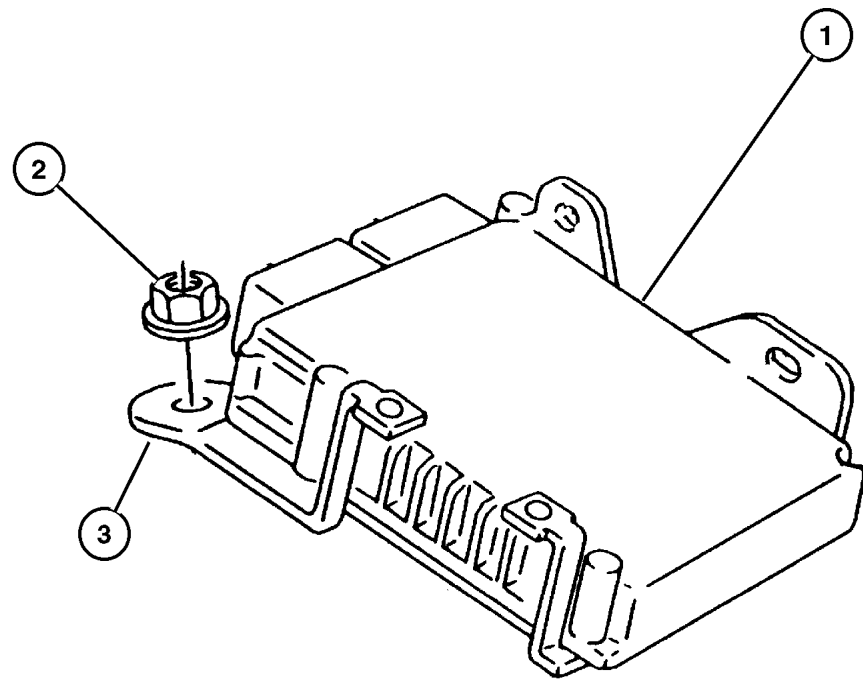
DODGE - CHRYSLER NEON (PL)

SERIES	LINE	BODY	ENGINE	TRANSMISSION
L=Low Line	Z= Chrysler, RHD	41 = 4 Door,	ECB = 2.0L 4 Cyl. , 16V SMPI	DD5 = 5 Speed Manual
H=High Line	D= Dodge	104WB	ECH = 2.0L 4 Cyl, 16V SOHC	DGL = 4 Speed Automatic
S = Special	C= Chrysler		EJD, EJ0 = 1.6L 4 Cyl 16v, SOHC	DG0 = All Automatics
P = Premium				DBB = All 5 Speed Manual
X = R/T				

AR = Use as required - = Non illustrated part # = New this model year

April 9, 2002

**Single Board Engine Controllers
Figure 008-705**



ITEM	PART NUMBER	QTY	LINE	SERIES	BODY	ENGINE	TRANS	DESCRIPTION
[EJD] = 1.6, 4 Cylinder SOHC								
[ECH]= 2.0, 4 Cylinder SOHC 16V Hi Perf								
[ECB] = 2.0, 4 Cylinder SOHC 16V								
[DGC]= AUTOMATIC 3-SPEED								
[DD5]= MANUAL 5-SPEED								
[DGL] = 4 SPEED AUTO (EATX)								
1								MODULE, Engine Controller
	#5033 450AB	1				EJD	DD5	European
	#5033 451AB	1				EJD	DD5	Export
	#5034 121AC	1				ECB	DD5	50 States
	#5034 122AC	1				ECB	DD5	Export, High Speed
	#5034 123AC	1				ECB	DD5	Export
	#5034 124AC	1				ECB	DD5	European
	#5034 125AB	1				ECB	DGL	50 States
	#5034 127AC	1				ECB	DGL	Export, High Speed
	#5034 128AC	1				ECB	DGL	Export
	#5034 129AC	1				ECB	DGL	European
	#5034 130AD	1				ECH	DD5	50 States
	#5034 131AC	1				ECH	DD5	Export
	#5034 132AC	1				ECH	DD5	European
2	6100 048	3						NUT, Hex, M6x1.00
3	5033 086AC	1				EJD		BRACKET, Engine Control Module
-4	6504 505	4					DGL	SCREW, Hex Head, M6x1x16

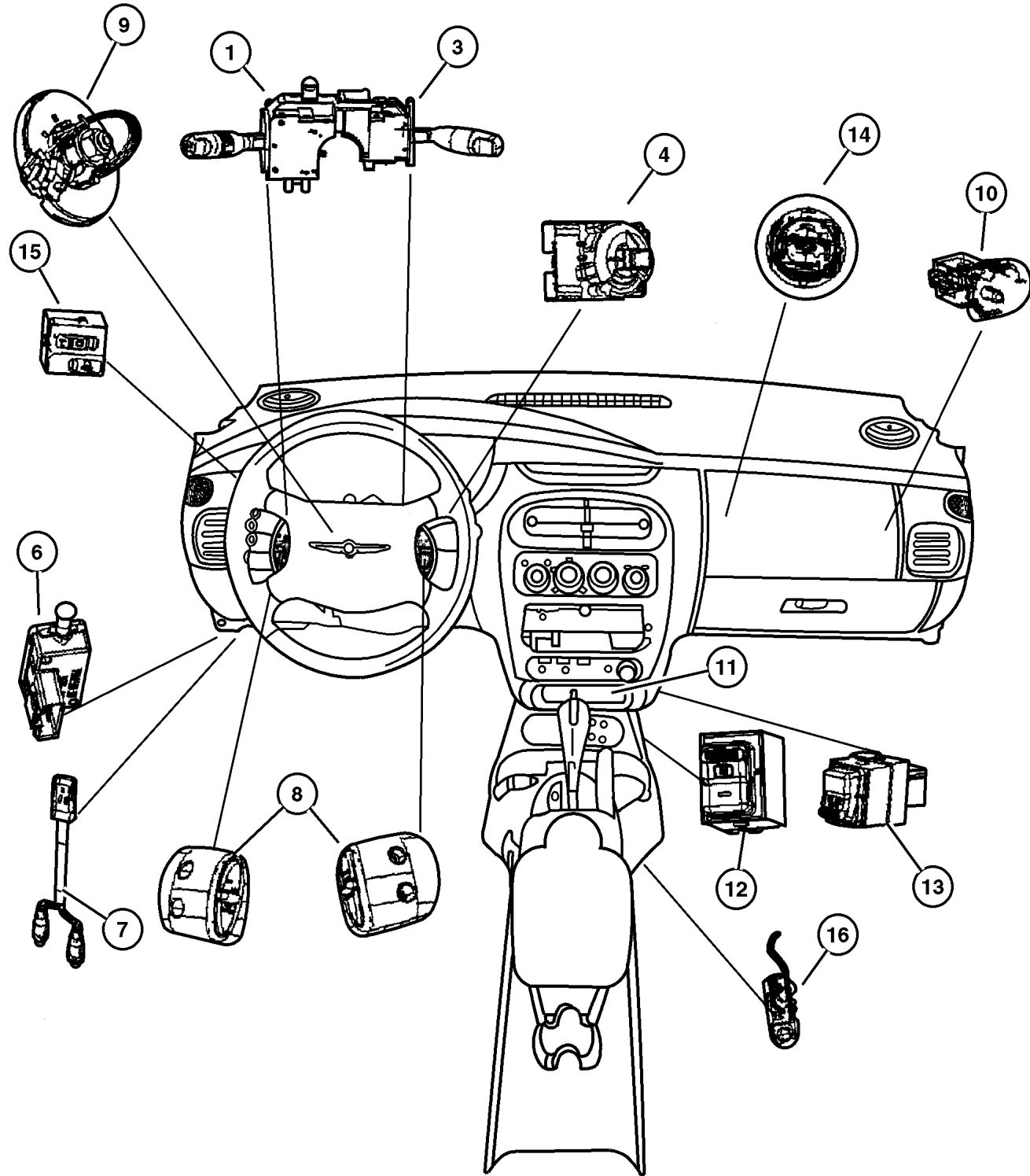
DODGE - CHRYSLER NEON (PL)

SERIES	LINE	BODY	ENGINE	TRANSMISSION
L=Low Line	Z= Chrysler, RHD	41 = 4 Door,	ECB = 2.0L 4 Cyl. , 16V SMPI	DD5 = 5 Speed Manual
H=High Line	D= Dodge	104WB	ECH = 2.0L 4 Cyl, 16V SOHC	DGL = 4 Speed Automatic
S = Special	C= Chrysler		EJD, EJ0 = 1.6L 4 Cyl 16v, SOHC	DG0 = All Automatics
P = Premium				DBB = All 5 Speed Manual
X = R/T				

AR = Use as required - = Non illustrated part # = New this model year

April 9, 2002

Switches - Instrument Panel
Figure 008-805



ITEM	PART NUMBER	QTY	LINE	SERIES	BODY	ENGINE	TRANS	DESCRIPTION
DD5= MANUAL 5-SPEED								
DGL = 4 SPEED AUTO (EATX)								
1								SWITCH, Multifunction
	5073 044AA	1	C, D					
	5073 045AA	1	C, D					with Fog Lamps
		1	D, P	H	41			with Fog Lamps
	5073 046AA	1						Export
	5073 047AA	1						with Front and Rear Fog Lamps, Export
-2	4794 302AA	2						FOAM, Multifunction Switch
3	5019 567AA	1						SWITCH, Intermittent Wiper
4								SWITCH, Ignition
	#4671 790AA	1	C, D				DGL	Key in Warning
		1	Z				DGL	Key in Warning
	4793 576	1	C, D				DGL	
		1	Z				DD5	
-5	6035 021	1						SCREW, Pan Head Tapping, .125-40x. 437, Ignition Switch Attaching
6	56045 043AE	1						SWITCH, Stop Lamp
7	4671 765AA	1	Z				DD5	SWITCH, Clutch Starter Interlock
8								SWITCH, Speed Control
	QA76 1DV	1						On/Off [DV]
	QA76 1L8	1						On/Off [L5]
	QA77 1DV	1						Resume [DV]
	QA77 1L8	1						Resume [L5]
9								CLOCKSPRING
	4671 753AB	1						without Speed Control. with Manual Restraint
	4793 583AB	1						without Speed Control
10	4565 022	1						SWITCH AND LAMP, Glove Box
11								BEZEL, Accessory Switch
	5015 788AB	1						
	5015 790AB	1						Export
12	4671 670AB	1						SWITCH, Electric Back Light
13	4671 672AA	1						SWITCH, Traction Control
14	4760 847AC	1						SWITCH, Deck Lid Release
15	4794 276AA	1						SWITCH, Headlamp Leveling, Export
16	5209 922	1						SWITCH, Parking Brake

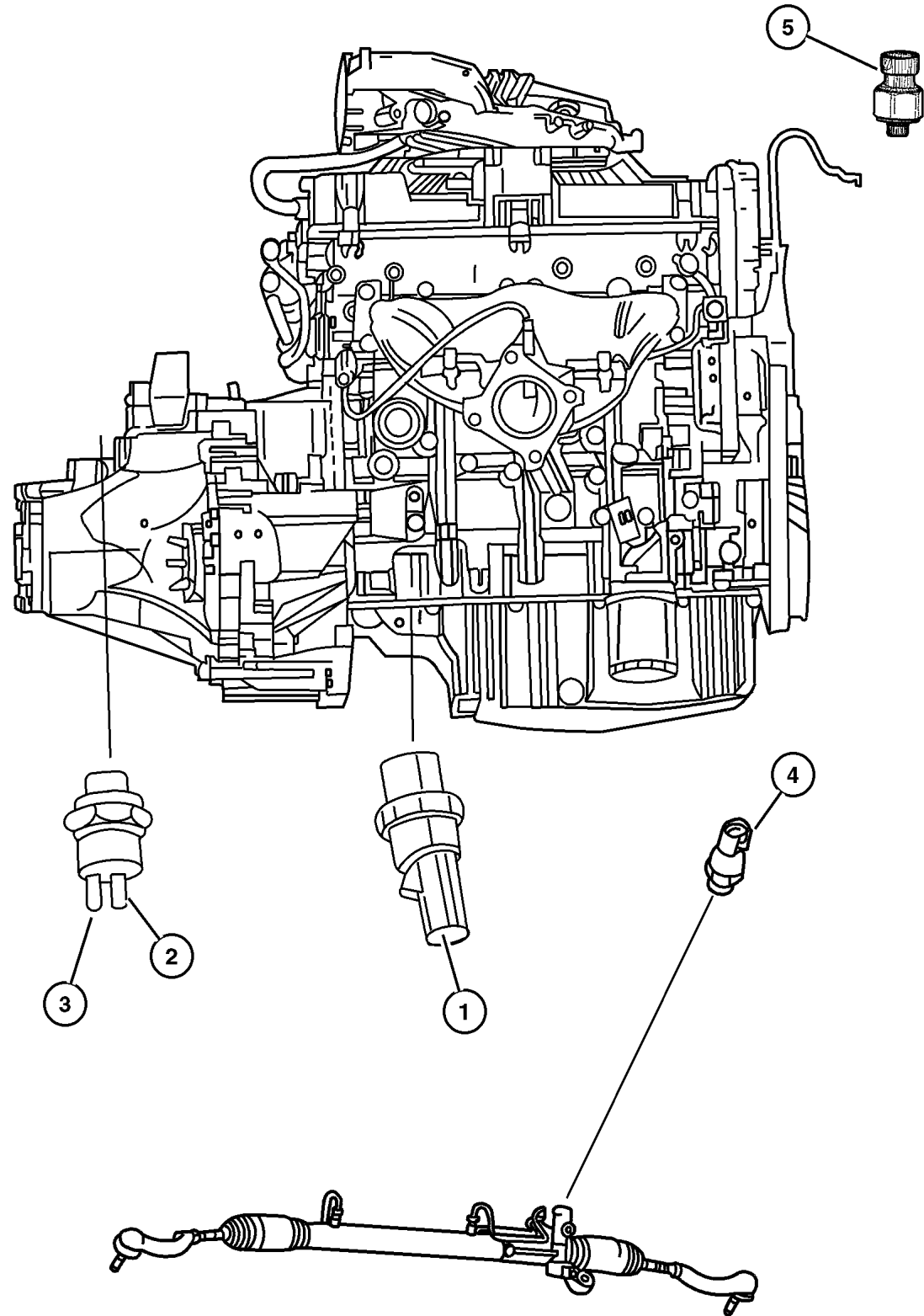
DODGE - CHRYSLER NEON (PL)

SERIES	LINE	BODY	ENGINE	TRANSMISSION
L=Low Line	Z= Chrysler, RHD	41 = 4 Door, 104WB	ECB = 2.0L 4 Cyl. , 16V SMPI	DD5 = 5 Speed Manual
H=High Line	D= Dodge		ECH = 2.0L 4 Cyl, 16V SOHC	DGL = 4 Speed Automatic
S = Special	C= Chrysler		EJD, EJ0 = 1.6L 4 Cyl 16v, SOHC	DG0 = All Automatics
P = Premium				DBB = All 5 Speed Manual
X = R/T				

AR = Use as required - = Non illustrated part # = New this model year

April 9, 2002

Switches - Power Train
Figure 008-810



ITEM	PART NUMBER	QTY	LINE	SERIES	BODY	ENGINE	TRANS	DESCRIPTION
[DD5]=Manual Transmission								
[DGL]=4 speed Automatic Transmission								
[ECB]=2.0L 4 Cylinder 16V SMPI								
[ECH]=2.0L 4 Cylinder 16V SOHC								
[EJD]=1.6L 4 Cylinder 16V SOHC								
1	4608 303	1				ECB		SWITCH, Oil Pressure
		1				ECH		
		1				EJD	DD5	
2	4864 775	1				EJD	DD5	SWITCH, Back Up Lamp
		1				ECB	DD5	
		1				ECH	DD5	
3								SWITCH, Neutral, Safety, Back Up, (NOT SERVICED)
4	5269 625	1	C, D				DGL	SWITCH, Power Steering
		1	Z				DGL	
		1	C, D				DD5	
		1	Z				DD5	
5	5014 574AA	1	Z			ECB,		SWITCH, A/C High Pressure Cut Off
		1	C, D			ECH,		
		1				ECB,		
		1				ECH,		
		1				EJD		

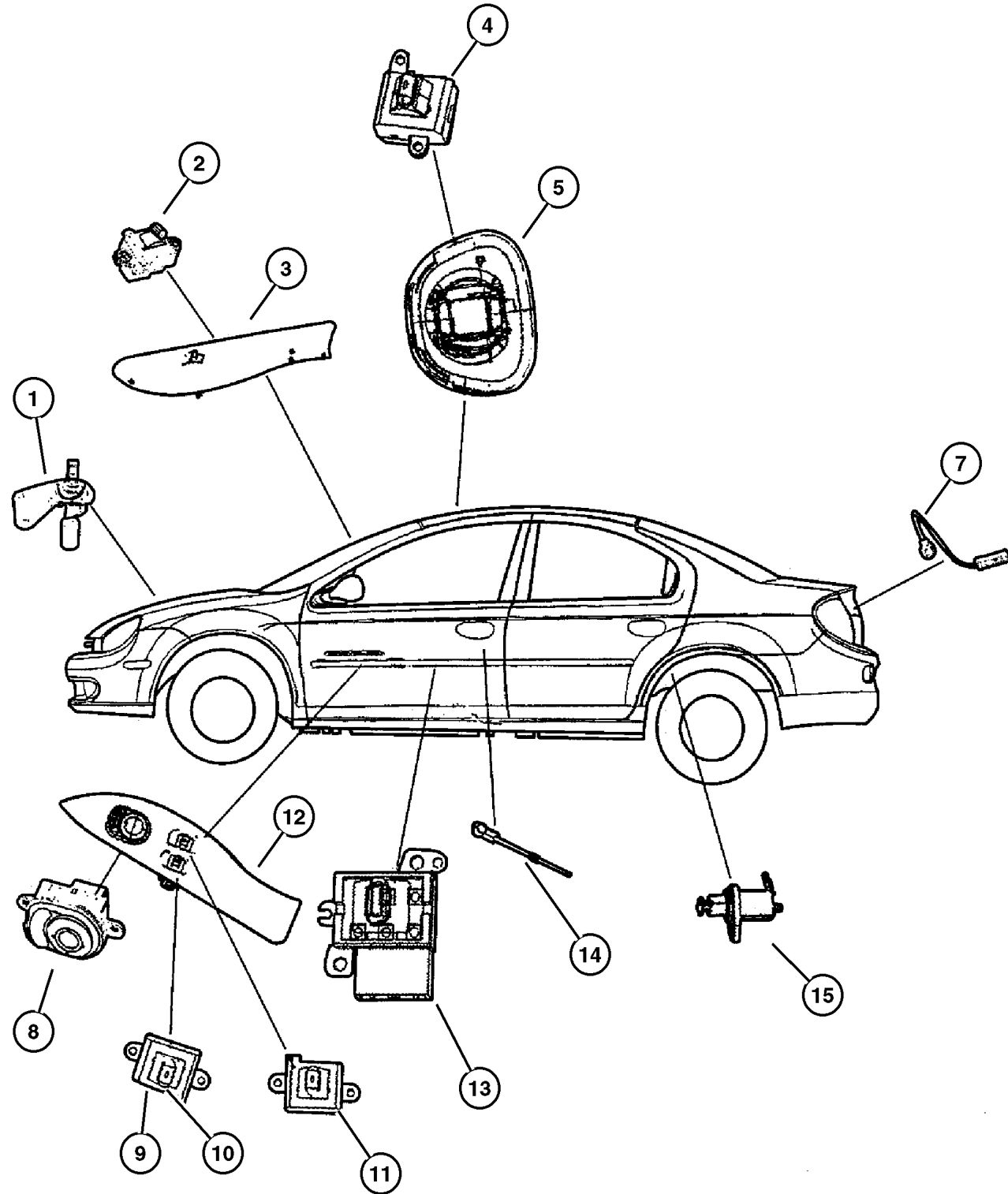
DODGE - CHRYSLER NEON (PL)

SERIES	LINE	BODY	ENGINE	TRANSMISSION
L=Low Line	Z= Chrysler, RHD	41 = 4 Door,	ECB = 2.0L 4 Cyl. , 16V SMPI	DD5 = 5 Speed Manual
H=High Line	D= Dodge	104WB	ECH = 2.0L 4 Cyl, 16V SOHC	DGL = 4 Speed Automatic
S = Special	C= Chrysler		EJD, EJO = 1.6L 4 Cyl 16v, SOHC	DG0 = All Automatics
P = Premium				DBB = All 5 Speed Manual
X = R/T				

AR = Use as required - = Non illustrated part # = New this model year

April 9, 2002

Switches - Body
Figure 008-815



ITEM	PART NUMBER	QTY	LINE	SERIES	BODY	ENGINE	TRANS	DESCRIPTION
1								SWITCH, Underhood
	4707 875AB	1						Security Alarm
	5293 096AA	1						with Bracket, Security Alarm
2	4793 859AA	1	Z					SWITCH, Power Window
3								BEZEL, Power Window Switch
	QQ32 WL5AC	1	C, D					[L5]
	QQ32 XDVAC	1	C, D					[DV]
4	4685 435	1						SWITCH, Sunroof
5	SW36 1L2AB	1						BEZEL, Power Sunroof
-6	4671 699AB	1						RETAINER, Sunroof Switch
7	4671 067AB	1						SWITCH, Security Alarm
8								SWITCH, Mirror
	4793 862AB	1	Z					
	4793 860AB	1	C, D					
9	4793 858AA	1	Z					SWITCH, Power Window, Drivers Window
10								SWITCH, Power Window
	4793 859AA	1	Z					Passenger Window
	4793 858AA	1	C, D					
11	4793 579	1						SWITCH, Door Lock, Right & Left
12								BEZEL, Power Window Switch
	QQ39 WL5AC	1	C, D					[L5]
	QQ39 XDVAC	1	C, D					[DV]
13								SWITCH, Lumbar Control
	5604 2387	1	C, D					
		1	Z					
14	5293 090AA	2						SWITCH, Security Alarm
15								SWITCH, Door Ajar, Serviced in latch assembly, (NOT SERVICED)

DODGE - CHRYSLER NEON (PL)

SERIES	LINE	BODY	ENGINE	TRANSMISSION
L=Low Line	Z= Chrysler, RHD	41 = 4 Door,	ECB = 2.0L 4 Cyl. , 16V SMPI	DD5 = 5 Speed Manual
H=High Line	D= Dodge	104WB	ECH = 2.0L 4 Cyl, 16V SOHC	DGL = 4 Speed Automatic
S = Special	C= Chrysler		EJD, EJO = 1.6L 4 Cyl 16v, SOHC	DG0 = All Automatics
P = Premium				DBB = All 5 Speed Manual
X = R/T				

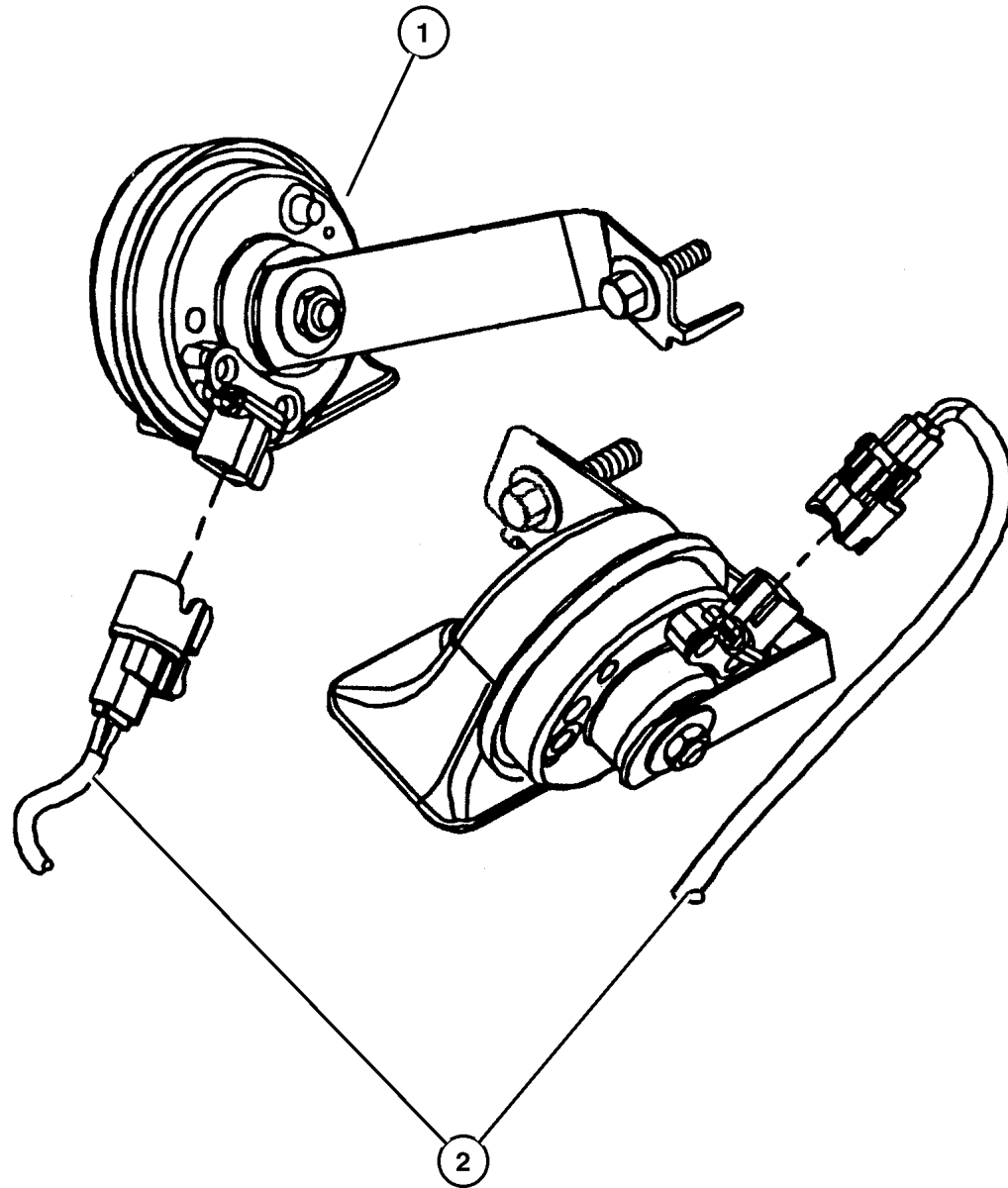
AR = Use as required - = Non illustrated part # = New this model year

April 9, 2002

Horns

Figure 008-905

ITEM	PART NUMBER	QTY	LINE	SERIES	BODY	ENGINE	TRANS	DESCRIPTION
1	4793 525AF	1						HORN AND BRACKET, Low Note
2								WIRING, Horn, serviced in headlamp to dash harness only, (NOT SERVICED)



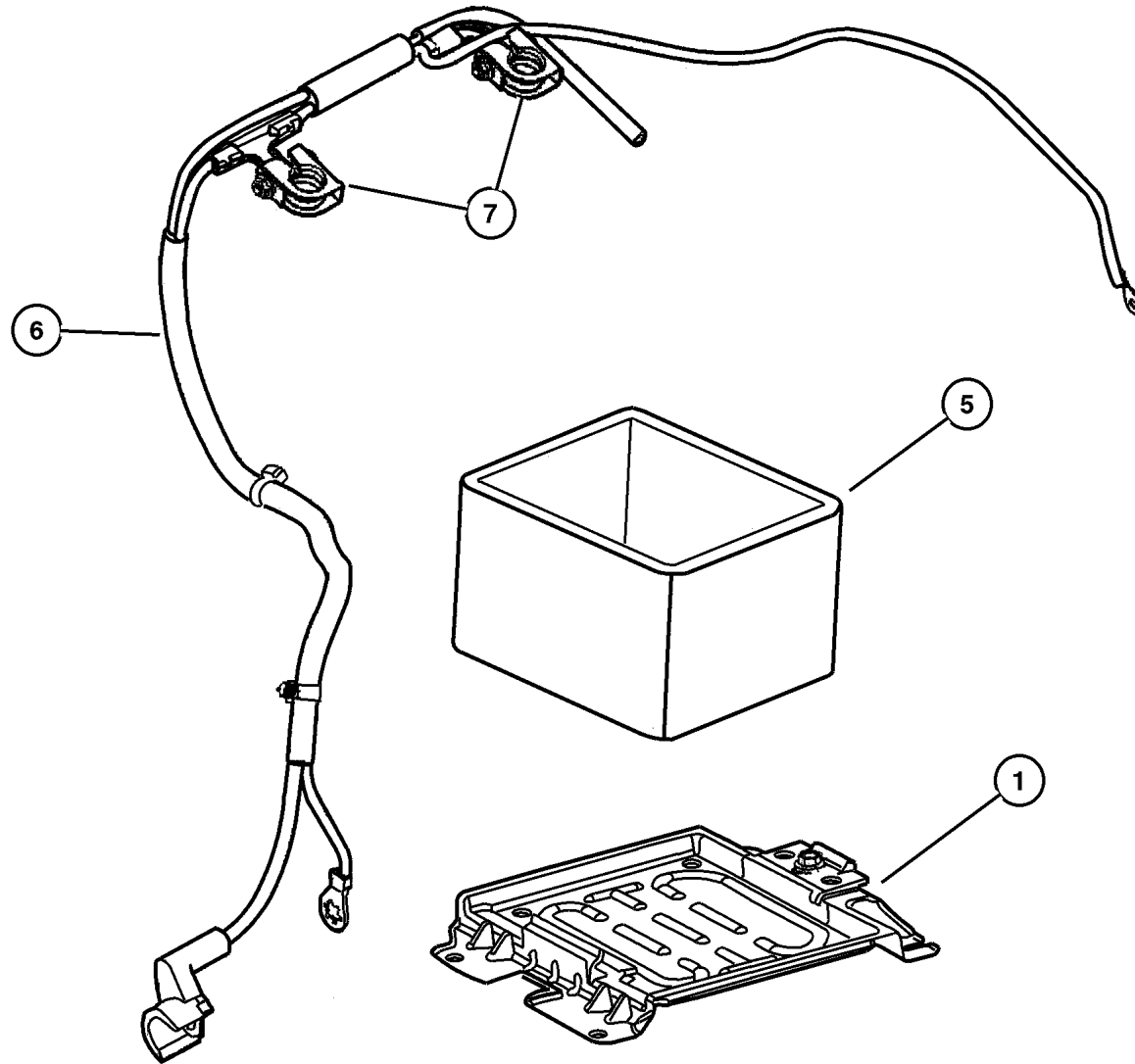
DODGE - CHRYSLER NEON (PL)

SERIES	LINE	BODY	ENGINE	TRANSMISSION
L=Low Line	Z= Chrysler, RHD	41 = 4 Door,	ECB = 2.0L 4 Cyl. , 16V SMPI	DD5 = 5 Speed Manual
H=High Line	D= Dodge	104WB	ECH = 2.0L 4 Cyl, 16V SOHC	DGL = 4 Speed Automatic
S = Special	C= Chrysler		EJD, EJO = 1.6L 4 Cyl 16v, SOHC	DG0 = All Automatics
P = Premium				DBB = All 5 Speed Manual
X = R/T				

AR = Use as required - = Non illustrated part # = New this model year

April 9, 2002

Battery Tray And Cables
Figure 008-1005



ITEM	PART NUMBER	QTY	LINE	SERIES	BODY	ENGINE	TRANS	DESCRIPTION
EJD = 1.6, 4 Cylinder SOHC								
ECH= 2.0, 4 Cylinder SOHC 16V Hi Perf								
ECB = 2.0, 4 Cylinder SOHC 16V								
1	5293 217AF	1						TRAY, Battery
-2	6101 863	1						SCREW AND WASHER, Hex Head, M8-1.25x30
-3	6101 455	2						SCREW AND WASHER, Hex Head, M6x1x20
-4	6100 048	2						NUT, Hex, M6x1.00
5	5033 018AA	1						SHIELD, Battery
6	4793 571AH	1				ECB, ECH		WIRING, Battery
7	4794 365AA	1				EJD		TERMINAL, Battery, Serviced in Battery Harness Only , (NOT SERVICED)
-8	4557 480	1						Middle East
	4671 062	1						Canadian
	4793 062	1						Europe
-9	4793 359	1						BATTERY, Storage, Replacement

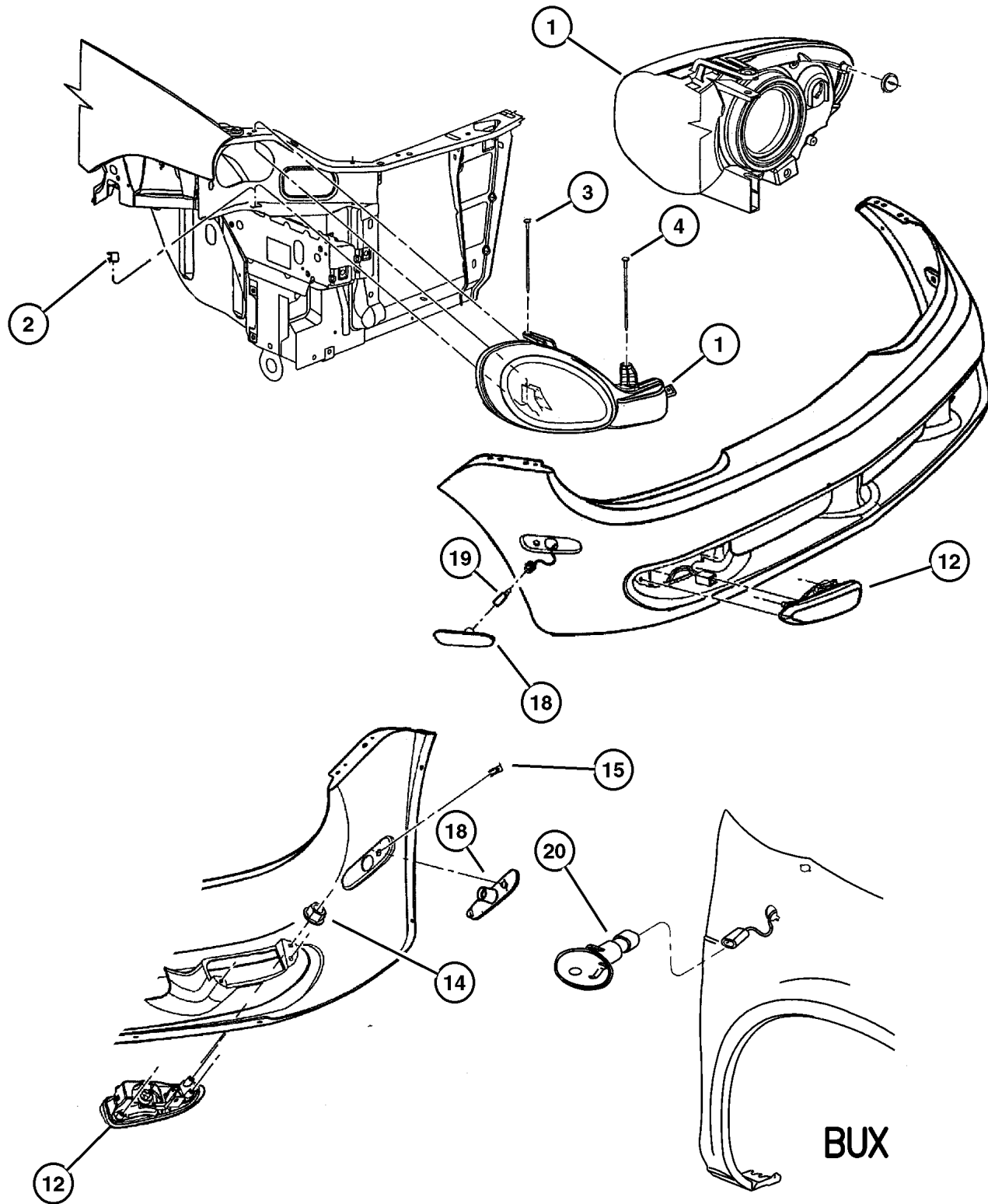
DODGE - CHRYSLER NEON (PL)

SERIES	LINE	BODY	ENGINE	TRANSMISSION
L=Low Line	Z= Chrysler, RHD	41 = 4 Door,	ECB = 2.0L 4 Cyl. , 16V SMPI	DD5 = 5 Speed Manual
H=High Line	D= Dodge	104WB	ECH = 2.0L 4 Cyl, 16V SOHC	DGL = 4 Speed Automatic
S = Special	C= Chrysler		EJD, EJO = 1.6L 4 Cyl 16v, SOHC	DG0 = All Automatics
P = Premium				DBB = All 5 Speed Manual
X = R/T				

AR = Use as required - = Non illustrated part # = New this model year

April 9, 2002

Lamps, Front
Figure 008-1105



ITEM	PART NUMBER	QTY	LINE	SERIES	BODY	ENGINE	TRANS	DESCRIPTION
[MFA] = Black Headlamp Bezel								
1								LAMP, Headlamp
	5288 508AF	1						Right
	5288 509AF	1						Left
	5288 510AD	1						Export, Right
	#5288 510AE	1						With Black Headlamp Bezel[MFA], Right
	5288 511AD	1						Export, Left
	#5288 511AE	1						With Black Headlamp Bezel[MFA], Left
	5288 512AD	1	Z					Right
	5288 513AD	1	Z					Left
	#5303 424AC	1						Black bezel, Right
	#5303 425AC	1						Black bezel, Left
2	4630 559	2						CLIP, Lamp
3	6505 181AA	2						SCREW, Hex Flange Head, M6 x 1.00 x 193.25, Headlamp Jackscrew, Outboard
4	6505 535AA	2						SCREW, Hex Flange Head, M6 x 1.00 x 125.75, Headlamp Jackscrew, Inboard
-5								BULB, Headlamp
	L0009 007QL	1	C, D					Right & Left
	L00H 460W	1	Z					Right & Left
-6	5014 418AA	1						RETAINER, Headlamp Bulb
-7	5288 713AA	1	Z					WIRING, Headlamp Jumper, Export
-8								WELT, Headlamp
	5288 714AC	1	Z					Right
	5288 715AC	1	Z					Left
-9	5288 917AA	1						SOCKET, Park And Turn Signal, Right & Left
-10								SOCKET, Turn Signal Lamp
	5288 918AA	1	Z					Export, Right & Left
								Side repeater fascia
-11	L003 757A	1	Z					BULB, 3757APY27/7W, Right & Left
12								LAMP, Fog
	5288 592AD	1						Without Bulb Shield, Canada, Mexico, Export, Right
	5288 593AD	1						Without Bulb Shield, Canada, Mexico, Export, Left
	5303 472AA	1						With Bulb Shield, US only, Right
	5303 473AA	1						With Bulb Shield, US only, Left
-13								PLUG, Front Fascia
	5288 834AA	1						Without Fog Lamps, Right
	5288 835AA	1						Without Fog Lamps, Left

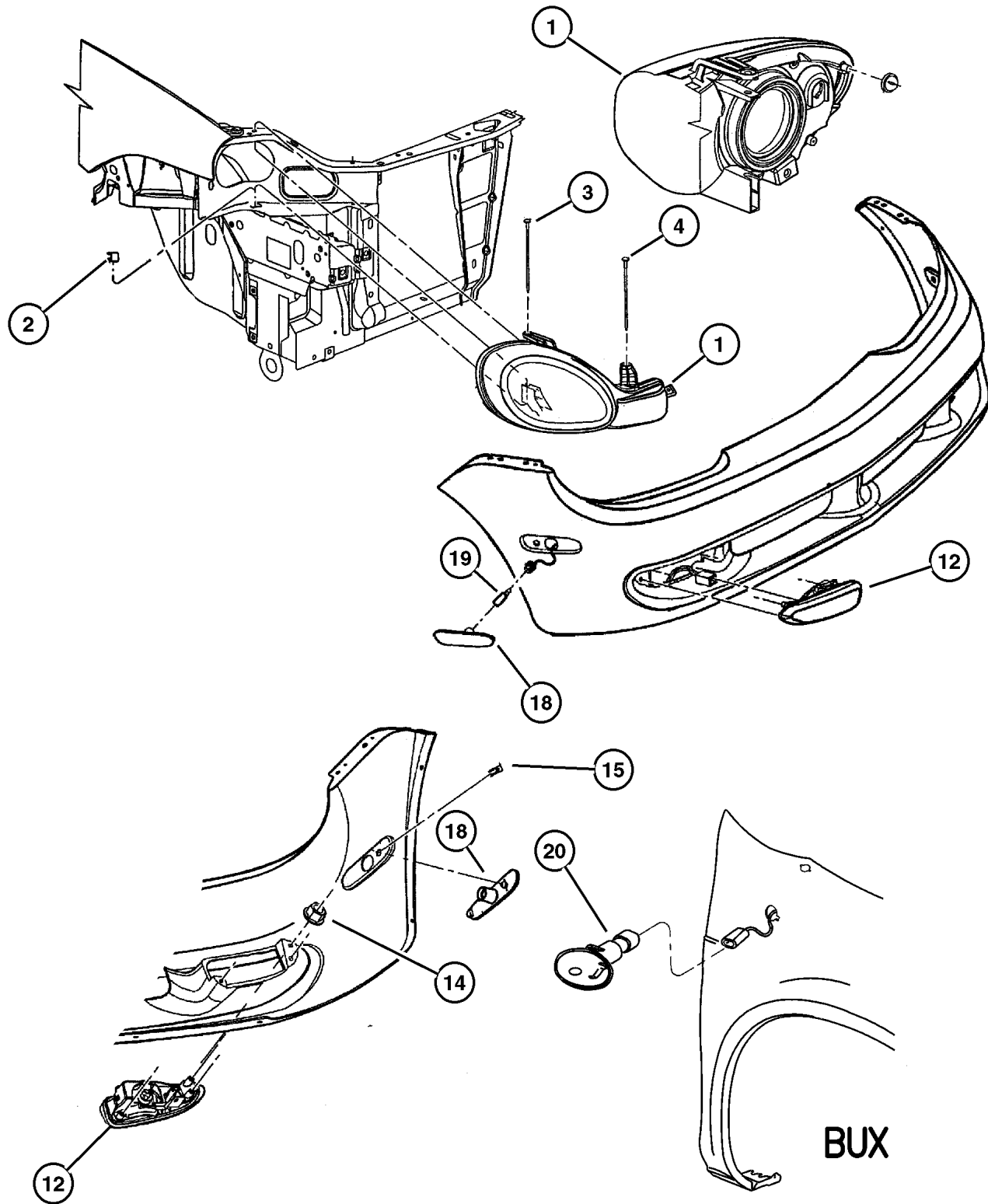
DODGE - CHRYSLER NEON (PL)

SERIES	LINE	BODY	ENGINE	TRANSMISSION
L=Low Line	Z= Chrysler, RHD	41 = 4 Door, 104WB	ECB = 2.0L 4 Cyl. , 16V SMPI	DD5 = 5 Speed Manual
H=High Line	D= Dodge		ECH = 2.0L 4 Cyl, 16V SOHC	DGL = 4 Speed Automatic
S = Special	C= Chrysler		EJD, EJ0 = 1.6L 4 Cyl 16v, SOHC	DG0 = All Automatics
P = Premium				DBB = All 5 Speed Manual
X = R/T				

AR = Use as required - = Non illustrated part # = New this model year

April 9, 2002

Lamps, Front
Figure 008-1105



ITEM	PART NUMBER	QTY	LINE	SERIES	BODY	ENGINE	TRANS	DESCRIPTION
14	6101 447	6						NUT, Fog Lamp To Fascia
15	5303 412AB	2						CLIP
-16	4794 311AC	1						WIRING, Fog Lamp
-17	L000 9145	1						BULB, Fog Lamp, 50 Watt, Right & Left
18								LAMP, Side Marker
	5288 522AC	1						Right
	5288 523AC	1						Left
19	9425 542	2						BULB, 168
20	5288 895AB	2						LAMP, Side Repeater, Export
-21	5288 931AA	2						SOCKET, Side Repeater Lamp
-22	4676 801	2						GASKET, Side Marker Lamp, Export
-23	L002 825W5W	1	Z					BULB, W10/5, Right & Left
-24	4400 588	2						SOCKET, Tail and Side Lamp
-25	L0041 57NAK	1						BULB, 4157 NAK, Turn Signal, Right & Left

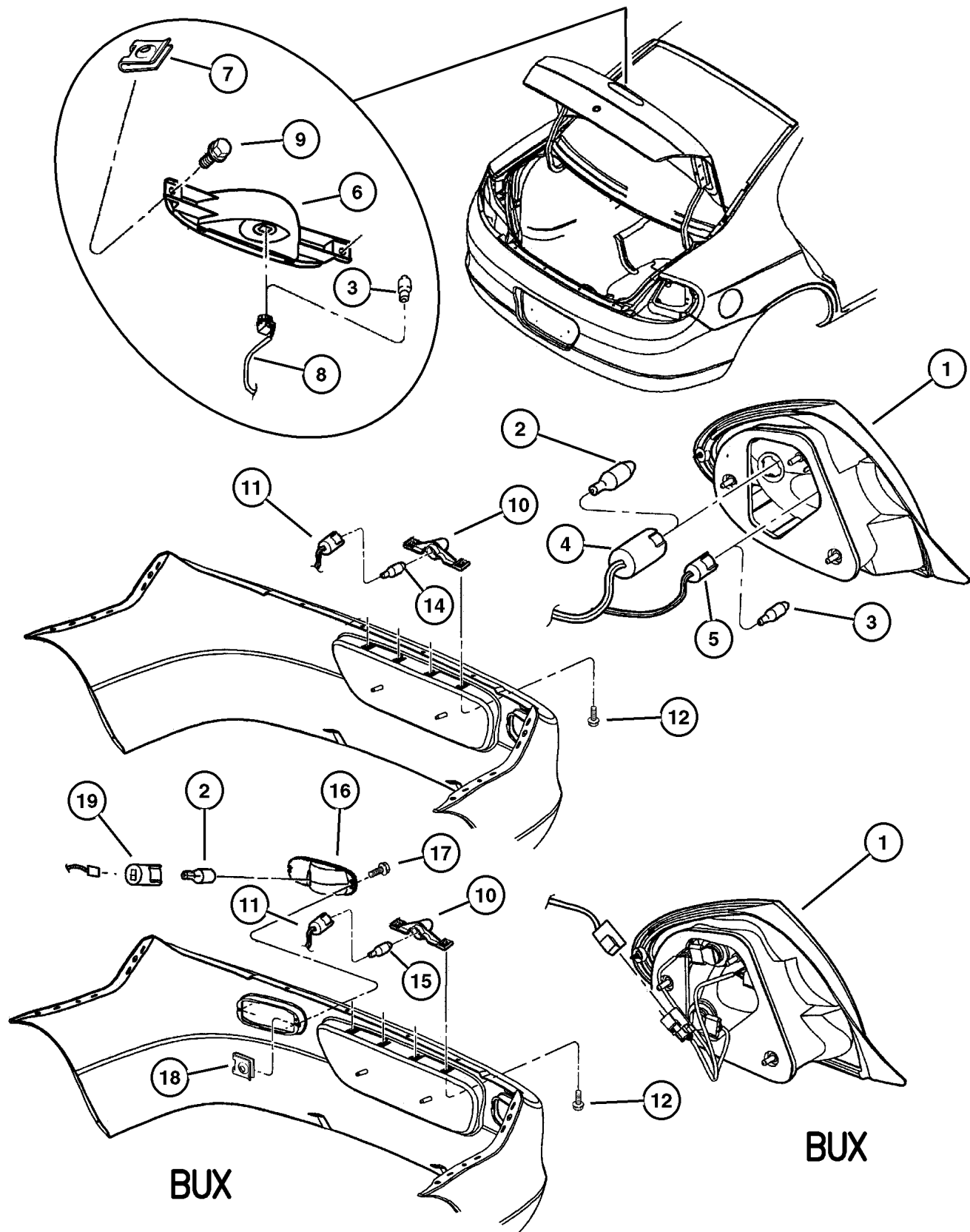
DODGE - CHRYSLER NEON (PL)

SERIES	LINE	BODY	ENGINE	TRANSMISSION
L=Low Line	Z= Chrysler, RHD	41 = 4 Door,	ECB = 2.0L 4 Cyl. , 16V SMPI	DD5 = 5 Speed Manual
H=High Line	D= Dodge	104WB	ECH = 2.0L 4 Cyl, 16V SOHC	DGL = 4 Speed Automatic
S = Special	C= Chrysler		EJD, EJO = 1.6L 4 Cyl 16v, SOHC	DG0 = All Automatics
P = Premium				DBB = All 5 Speed Manual
X = R/T				

AR = Use as required - = Non illustrated part # = New this model year

April 9, 2002

Lamps, Rear
Figure 008-1110



ITEM	PART NUMBER	QTY	LINE	SERIES	BODY	ENGINE	TRANS	DESCRIPTION
1								LAMP, Tail Stop Turn
	5288 526AJ	1	C, D					Right
	5288 527AJ	1	C, D					Left
	#5288 528AJ	1						Right,Export
	#5288 529AJ	1						Left,Export
2	0154 851AA	1	C, D					BULB, 3157, Right & Left
3	0154 883AA	1	C, D					BULB, 921, Right & Left
4	5288 919AA	1						SOCKET, Tail, Stop, and Turn Lamp, Right & Left
5	5288 921AA	1						SOCKET, Back-Up Lamp, Right & Left
6	5288 534AB	1						LAMP, High Mounted Stop
7	6505 780AA	2						BOLT AND RETAINER, M6x1.0x22.35
8	5303 251	1						SOCKET, High Mounted Stop Lamp
9								NUT AND WASHER, Hex, M6x1, (NOT SERVICED)
10	5303 021	2						LAMP, License Plate, Export
11	4400 588	2						SOCKET, Tail and Side Lamp, License Lamp
12								SCREW, .164-18x.75, (NOT SERVICED)
-13	6035 837	4						NUT/SPRING, "U"1THD, For .164-15 Screw, License Lamp,Mounting,Export
14	9425 542	2						BULB, 168, License Lamp
15	L002 825W5W	1	Z					BULB, W10/5
16								LAMP, Fog
	5303 394AB	1						Right
	5303 395AB	1						Left
17	6505 887AA	4						SCREW, Pan Head, M4 x 0.70 x 25.00
18	6101 447	6						NUT, Fog Lamp attaching
19	5288 915AA	1						SOCKET, Rear Fog Lamp
-20	5288 918AA	1	Z					SOCKET, Turn Signal Lamp
-21								GASKET, Tail Lamp
	#5303 476AB	1						Right
	#5303 477AB	1						Left

DODGE - CHRYSLER NEON (PL)

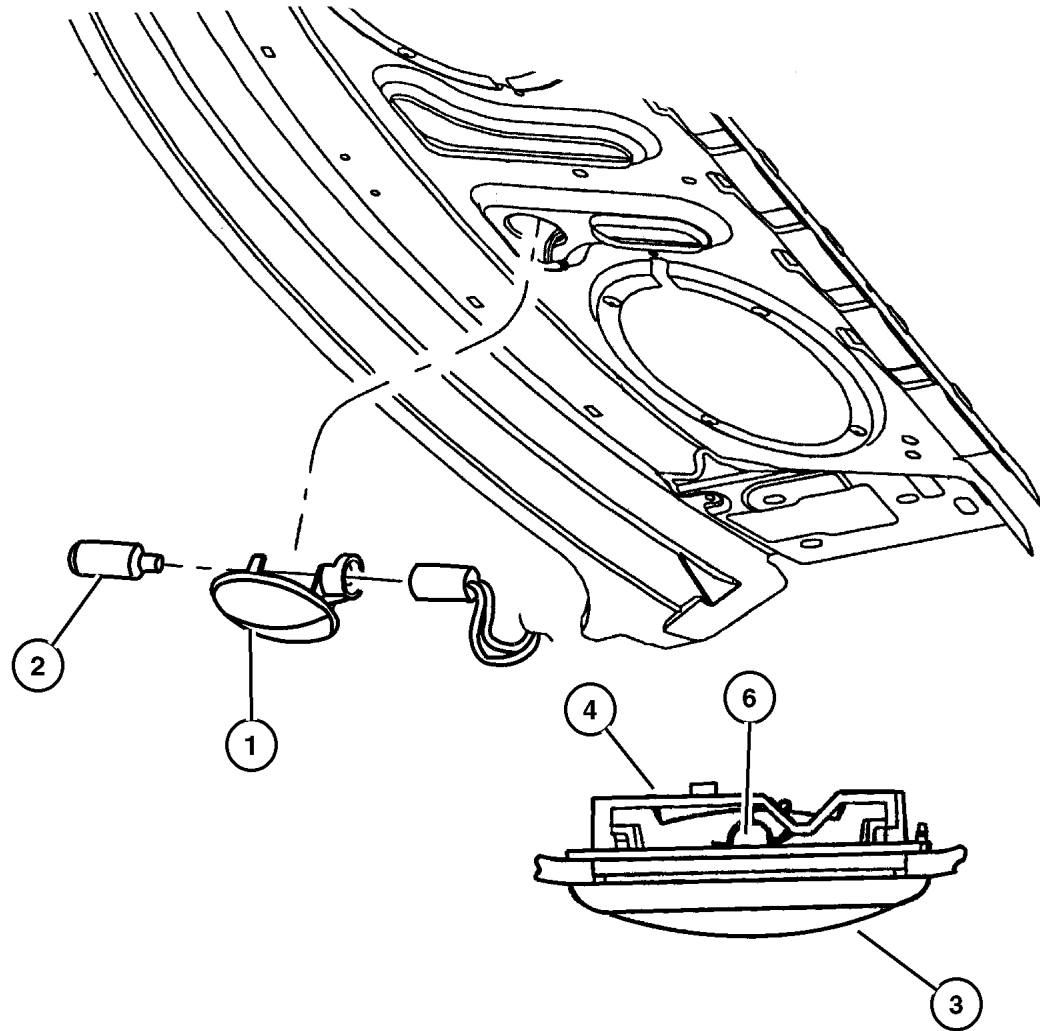
SERIES	LINE	BODY	ENGINE	TRANSMISSION
L=Low Line	Z= Chrysler, RHD	41 = 4 Door,	ECB = 2.0L 4 Cyl. , 16V SMPI	DD5 = 5 Speed Manual
H=High Line	D= Dodge	104WB	ECH = 2.0L 4 Cyl, 16V SOHC	DGL = 4 Speed Automatic
S = Special	C= Chrysler		EJD, EJ0 = 1.6L 4 Cyl 16v, SOHC	DG0 = All Automatics
P = Premium				DBB = All 5 Speed Manual
X = R/T				

AR = Use as required - = Non illustrated part # = New this model year

April 9, 2002

Dome, Underhood and Cargo Lamps
Figure 008-1115

ITEM	PART NUMBER	QTY	LINE	SERIES	BODY	ENGINE	TRANS	DESCRIPTION
1	5209 554	1						LENS, Cargo Lamp
2	L000 0906	1						BULB, 906, Cargo Lamp
3	JV76 TL2	1						LAMP, Dome
4	RP45 TL2AC	1						SENSOR, Intrusion Module
-5								WIRING, Dome Lamp
	4794 150AA	1						without Security or Sunroof
	4794 233AA	1						with Security without Sunroof
	4794 325AA	1						with Sunroof without Security
6	L000 0579	1						BULB, 579



DODGE - CHRYSLER NEON (PL)

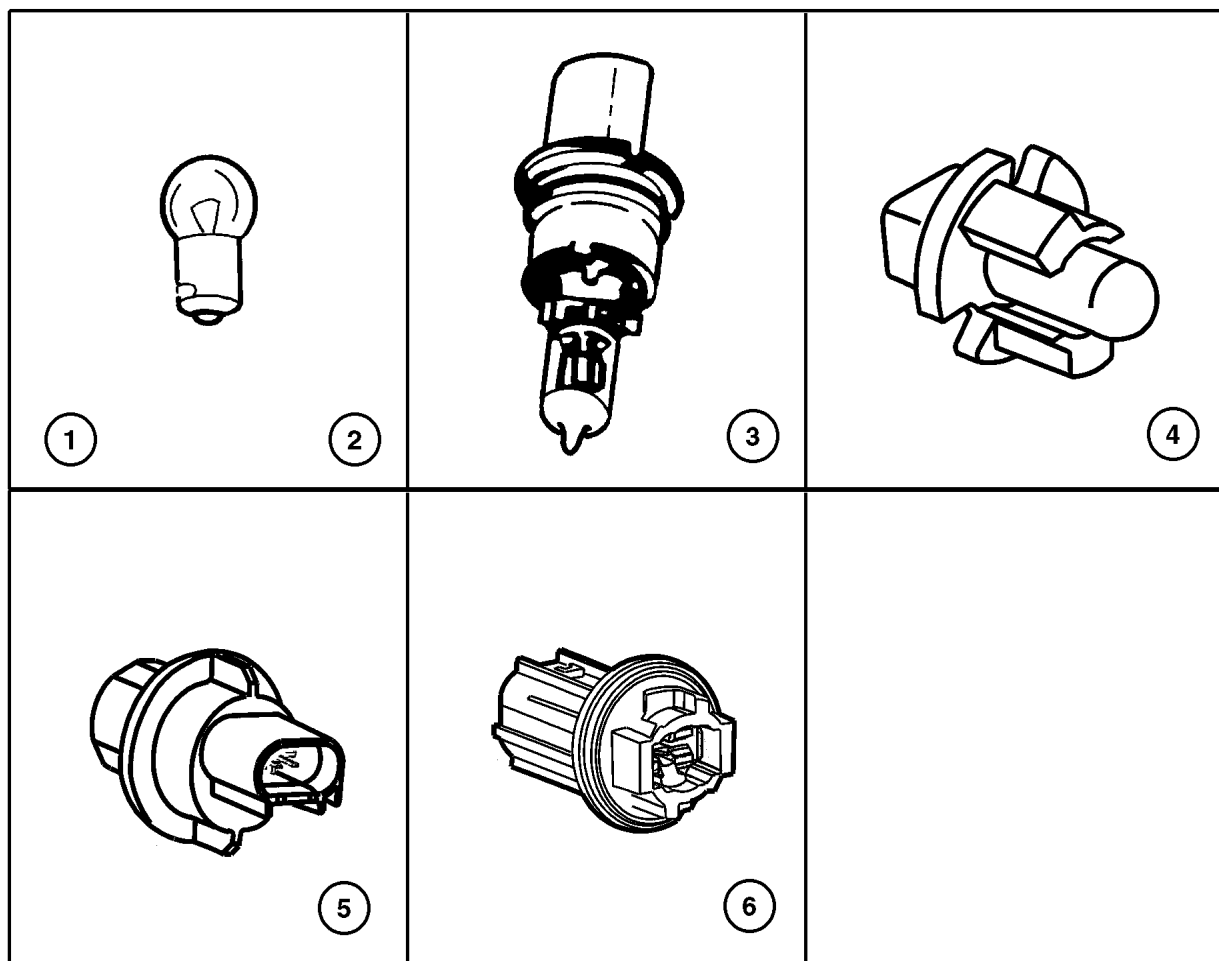
SERIES	LINE	BODY	ENGINE	TRANSMISSION
L=Low Line	Z= Chrysler, RHD	41 = 4 Door,	ECB = 2.0L 4 Cyl. , 16V SMPI	DD5 = 5 Speed Manual
H=High Line	D= Dodge	104WB	ECH = 2.0L 4 Cyl, 16V SOHC	DGL = 4 Speed Automatic
S = Special	C= Chrysler		EJD, EJO = 1.6L 4 Cyl 16v, SOHC	DG0 = All Automatics
P = Premium				DBB = All 5 Speed Manual
X = R/T				

AR = Use as required - = Non illustrated part # = New this model year

April 9, 2002

Sockets And Bulbs Figure 008-1120

ITEM	PART NUMBER	QTY	LINE	SERIES	BODY	ENGINE	TRANS	DESCRIPTION
DGC= AUTOMATIC 3-SPEED								
DGL = 4 SPEED AUTO (EATX)								
1	L000 3157	2						BULB, 3157
2	L003 757A	1	Z					BULB, 3757APY27/7W
3	L0009 007QL	1						BULB, Headlamp, Right & Left
4								LAMP, Bulb And Socket Cluster
	4688 388	9	C, D					Cluster
		9	Z					Cluster
5	5288 919AA	1						SOCKET, Tail, Stop, and Turn Lamp, Right & Left
6	5288 921AA	1						SOCKET, Back-Up Lamp, Right & Left
-7	L000 0921	1						BULB, 921, License Lamp
-8	9425 542	2						BULB, 168, Side Marker
-9	5303 251	1						SOCKET, High Mounted Stop Lamp
-10	L000 0579	1						BULB, 579, Dome Lamp
-11	L000 0194	1				DGL		BULB, 194, Gear Selector
-12	6501 966	1						BULB, Sunvisor, Right & Left
-13	L000 9145	1						BULB, Fog Lamp, 50 Watt, Right & Left
-14	L000 921E	1						BULB, 921, Decklid CHMSL Lamp
-15	L000 0906	1						BULB, 906, Rear Cargo Lamp
-16								BULB, Heater and A/C Control
	5003 281AA	4	Z					
		4	C, D					
-17	L000 0578	1						BULB, 578

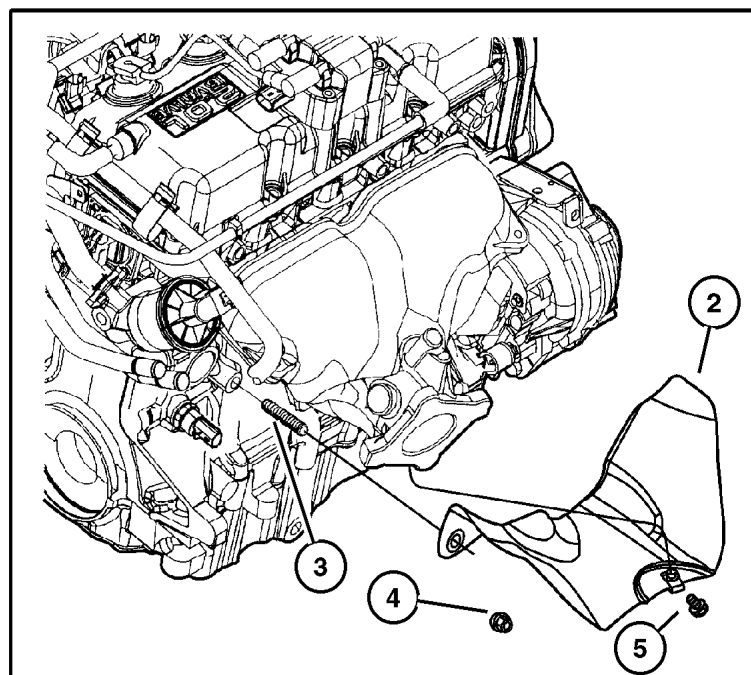
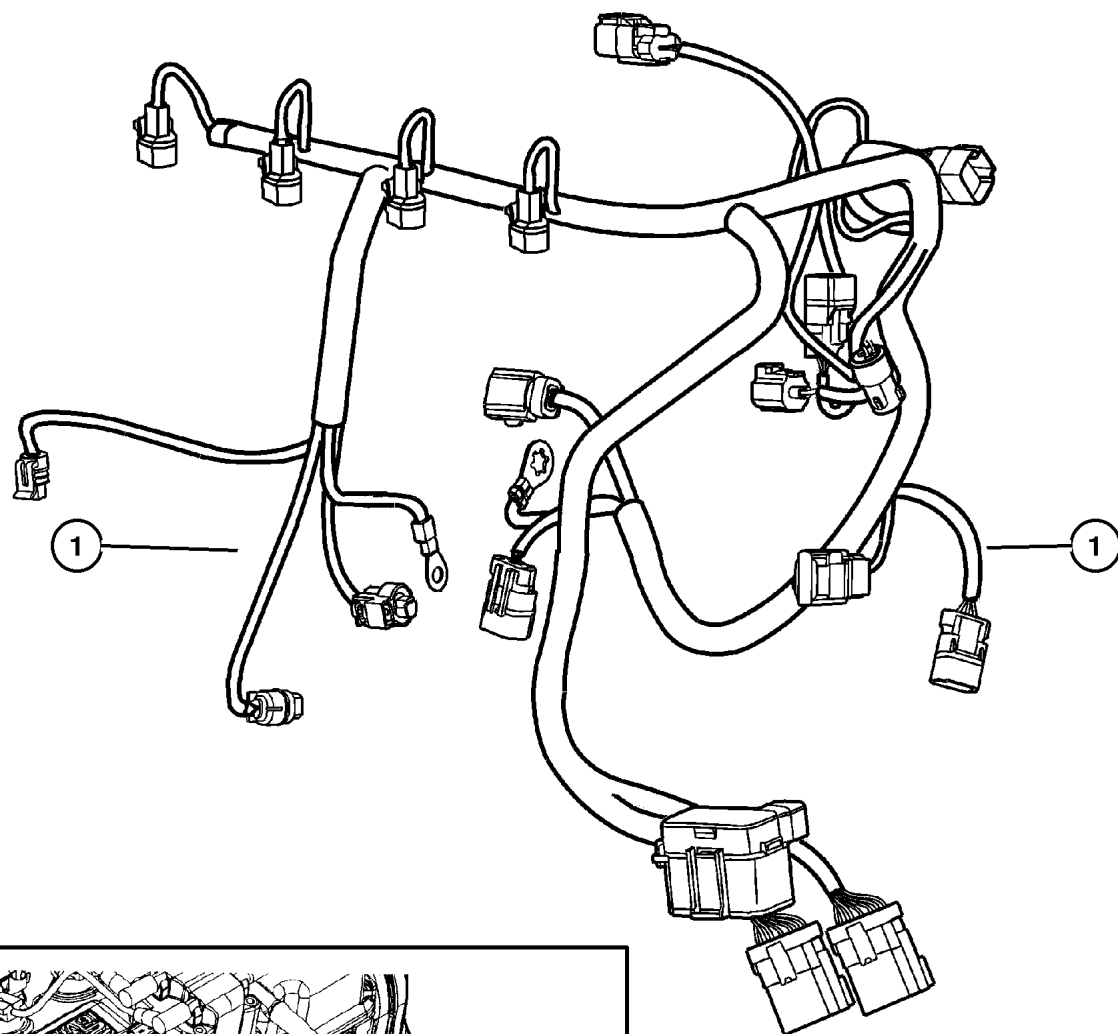


DODGE - CHRYSLER NEON (PL)

SERIES	LINE	BODY	ENGINE	TRANSMISSION
L=Low Line	Z= Chrysler, RHD	41 = 4 Door,	ECB = 2.0L 4 Cyl. , 16V SMPI	DD5 = 5 Speed Manual
H=High Line	D= Dodge	104WB	ECH = 2.0L 4 Cyl, 16V SOHC	DGL = 4 Speed Automatic
S = Special	C= Chrysler		EJD, EJO = 1.6L 4 Cyl 16v, SOHC	DG0 = All Automatics
P = Premium				DBB = All 5 Speed Manual
X = R/T				

AR = Use as required - = Non illustrated part # = New this model year

Wiring, Engine Figure 008-1205



ITEM	PART NUMBER	QTY	LINE	SERIES	BODY	ENGINE	TRANS	DESCRIPTION
[EJD] = 1.6, 4 Cylinder SOHC								
[ECH]= 2.0, 4 Cylinder SOHC 16V Hi Perf								
[EBD] = 1.8L 4 Cylinder SOHC 16V								
[EBD] = 1.8l 4 Cylinder SOHC 16v								
[ECB] = 2.0, 4 Cylinder SOHC 16V								
[DGC]= AUTOMATIC 3-SPEED								
NOTE: The tag can be found on harness where it lays on top of the engine.								
1								WIRING, Engine
	#4794 656AC	1				EJD	DD5	
	#4794 846AA	1				ECB		
	#4794 847AA	1				ECH		
2								SHIELD, Wiring With California Emissions
	4794 274AC	1				ECB,		
						ECH		
	4794 275AC	1				ECB,		
						ECH		
	4794 510AB	1				EJD		
3	6503 490	2				ECB		STUD, M10-1.50x44
4	6504 175	1				EJD		NUT AND WASHER, Hex, M8x1.25, Heat Shield Mounting
5	6504 015	1				ECB,	EJD	SCREW
						ECH,		
-6								CAPACITOR, Radio Noise Suppression
	4793 117	1				ECB		
		1				ECH		
		1				EJD	DD5	

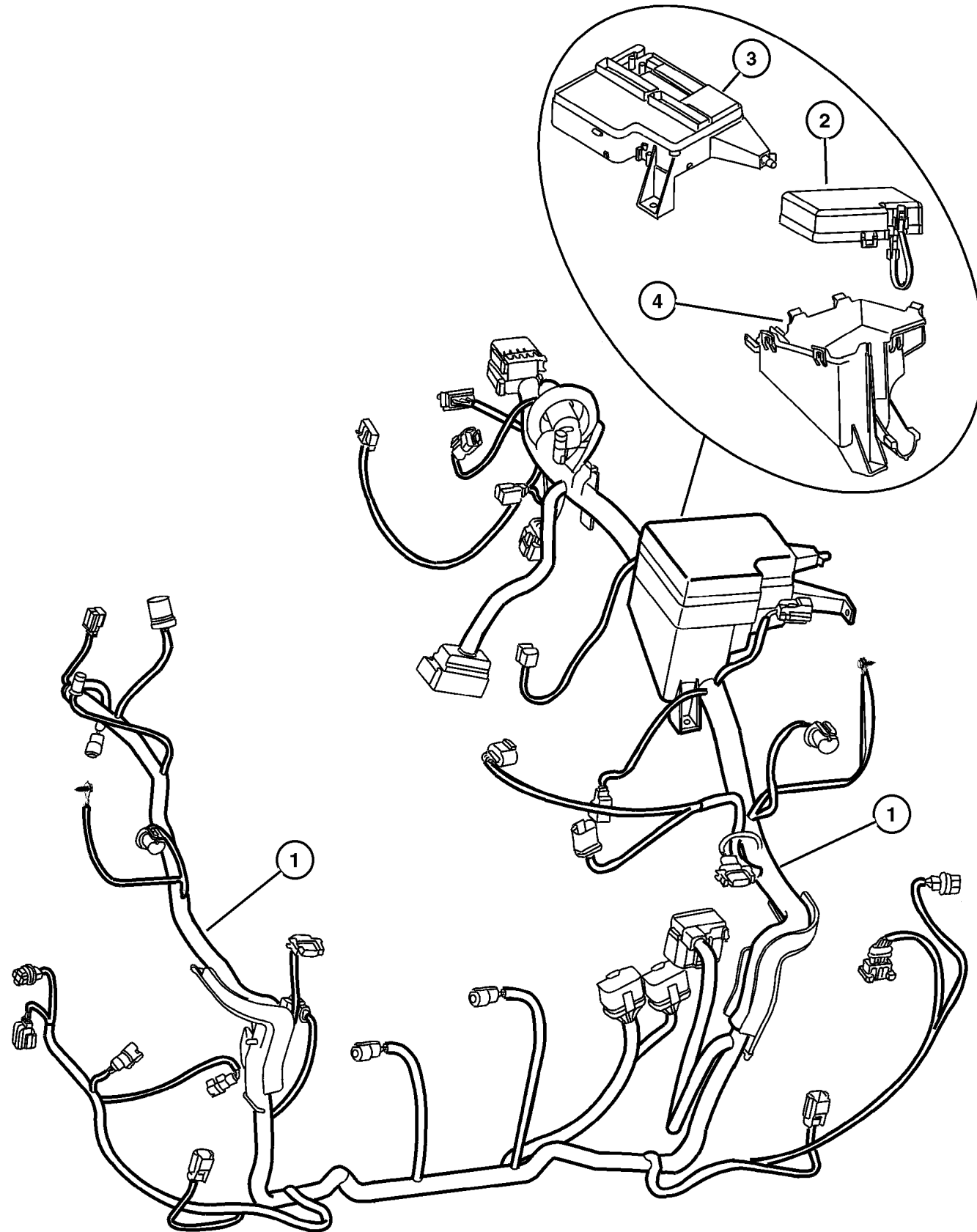
DODGE - CHRYSLER NEON (PL)

SERIES	LINE	BODY	ENGINE	TRANSMISSION
L=Low Line	Z= Chrysler, RHD	41 = 4 Door,	ECB = 2.0L 4 Cyl. , 16V SMPI	DD5 = 5 Speed Manual
H=High Line	D= Dodge	104WB	ECH = 2.0L 4 Cyl, 16V SOHC	DGL = 4 Speed Automatic
S = Special	C= Chrysler		EJD, EJO = 1.6L 4 Cyl 16v, SOHC	DG0 = All Automatics
P = Premium				DBB = All 5 Speed Manual
X = R/T				

AR = Use as required - = Non illustrated part # = New this model year

April 9, 2002

**Wiring, Headlamp and Power Distribution Center
Figure 008-1305**



ITEM	PART NUMBER	QTY	LINE	SERIES	BODY	ENGINE	TRANS	DESCRIPTION
EJD = 1.6, 4 Cylinder SOHC								
ECH= 2.0, 4 Cylinder SOHC 16V Hi Perf								
ECB = 2.0, 4 Cylinder SOHC 16V								
DGC= AUTOMATIC 3-SPEED								
DD5= MANUAL 5-SPEED								
DGL = 4 SPEED AUTO (EATX)								
NOTE: The tag for this harness can be found on side of the power distribution center.								
1								WIRING, Headlamp and Dash
	#4794 568AE	1	C, D			ECB	DGL	Base without ABS after 07/09/01
	#4794 569AE	1	C, D			ECB	DGL	With Speed Control, without ABS after 07/09/01
	#4794 570AE	1	C, D			ECB, ECH	DD5	Base without ABS after 07/09/01
	#4794 571AE	1	C, D			ECB	DGL	With ABS after 07/09/01
	#4794 572AE	1	C, D			ECB, ECH	DD5	With ABS after 07/09/01
	#4794 573AE	1	C, D			ECB	DGL	Without ABS, European after 07/09/01
	#4794 574AE	1	C, D			ECB	DD5	Without ABS, European after 07/09/01
	#4794 575AE	1	C, D			ECB	DGL	With ABS, European after 07/09/01
	#4794 577AE	1	Z			ECB	DGL	Without Power Brakes,, Right Hand Drive
	#4794 578AE	1	Z			ECB	DD5	Without Power Brakes,, Right Hand Drive
	#4794 579AE	1	Z			ECB	DGL	With ABS, Right Hand Drive
	#4794 580AE	1	Z			ECB, ECH	DD5	With ABS, Right Hand Drive
	#4794 581AC	1	C, D			ECB	DGL	With ABS, Taiwan
	#4794 583AE	1	C, D			EJD	DD5	Without ABS
	#4794 584AC	1	C, D			EJD	DGL	With ABS
	#4794 585AE	1	C, D			EJD	DD5	With ABS
	#4794 587AE	1	C, D			EJD	DD5	Without ABS, European
	#4794 589AE	1	C, D			EJD	DD5	With ABS, European
	#4794 590AC	1	Z			EJD	DGL	Without Power Brakes
	#4794 591AE	1	Z			EJD	DD5	Without Power Brakes
	#4794 593AE	1	Z			EJD	DD5	With ABS
	#4794 568AC	1	C, D			ECB	DGL	Base without ABS up to 07/09/01
	#4794 569AC	1	C, D			ECB	DGL	With Speed Control, without ABS up to 07/09/01
	#4794 576AC	1	C, D			ECB, ECH	DD5	With ABS, European up to 07/09/01

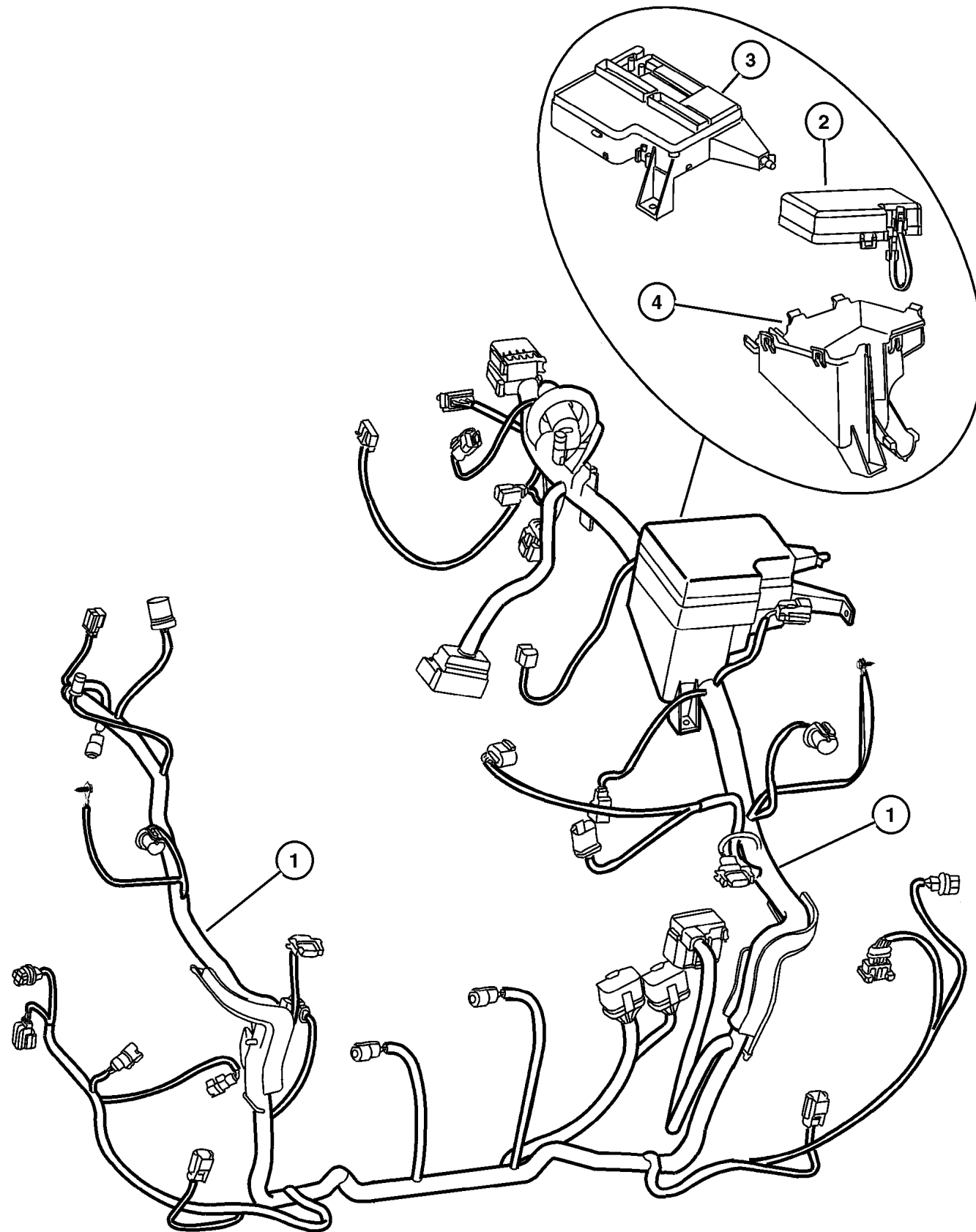
DODGE - CHRYSLER NEON (PL)

SERIES	LINE	BODY	ENGINE	TRANSMISSION
L=Low Line	Z= Chrysler, RHD	41 = 4 Door,	ECB = 2.0L 4 Cyl. , 16V SMPI	DD5 = 5 Speed Manual
H=High Line	D= Dodge	104WB	ECH = 2.0L 4 Cyl, 16V SOHC	DGL = 4 Speed Automatic
S = Special	C= Chrysler		EJD, EJ0 = 1.6L 4 Cyl 16v, SOHC	DG0 = All Automatics
P = Premium				DBB = All 5 Speed Manual
X = R/T				

AR = Use as required - = Non illustrated part # = New this model year

April 9, 2002

**Wiring, Headlamp and Power Distribution Center
Figure 008-1305**



ITEM	PART NUMBER	QTY	LINE	SERIES	BODY	ENGINE	TRANS	DESCRIPTION
	#4794 576AE	1	C, D			ECB, ECH	DD5	With ABS, European after 07/09/01
	#4794 570AC	1	C, D			ECB, ECH	DD5	Base without ABS up to 07/09/01
	#4794 571AC	1	C, D			ECB	DGL	With ABS up to 07/09/01
	#4794 572AC	1	C, D			ECB, ECH	DD5	With ABS up to 07/09/01
	#4794 573AC	1	C, D			ECB	DGL	Without ABS, European up to 07/09/01
	#4794 574AC	1	C, D			ECB	DD5	Without ABS, European up to 07/09/01
	#4794 575AC	1	C, D			ECB	DGL	With ABS, European up to 07/09/01
	#4794 577AC	1	Z			ECB	DGL	Without ABS up to 07/09/01
	#4794 578AC	1	Z			ECB	DD5	Without ABS up to 07/09/01
	#4794 579AC	1	Z			ECB	DGL	With ABS up to 07/09/01
	#4794 580AC	1	Z			ECB, ECH	DD5	With ABS up to 07/09/01
	#4794 583AC	1	C, D			EJD	DD5	Without ABS up to 07/09/01
	#4794 585AC	1	C, D			EJD	DD5	With ABS up to 07/09/01
	#4794 586AC	1	C, D			EJD	DGL	Without ABS
	#4794 587AC	1	C, D			EJD	DD5	Without ABS European up to 07/09/01
	#4794 588AC	1	C, D			EJD	DGL	With ABS European
	#4794 589AC	1	C, D			EJD	DD5	With ABS European up to 07/09/01
	#4794 591AC	1	Z			EJD	DD5	Without ABS up to 07/09/01
	#4794 593AC	1	Z			EJD	DD5	With ABS up to 07/09/01
2	4793 904AC	1						COVER, Power Distribution Center, Upper
3	4793 903AD	1						HOUSING, Fuse And Relay Center
4	4794 076AB	1						COVER, Power Distribution Center, Lower

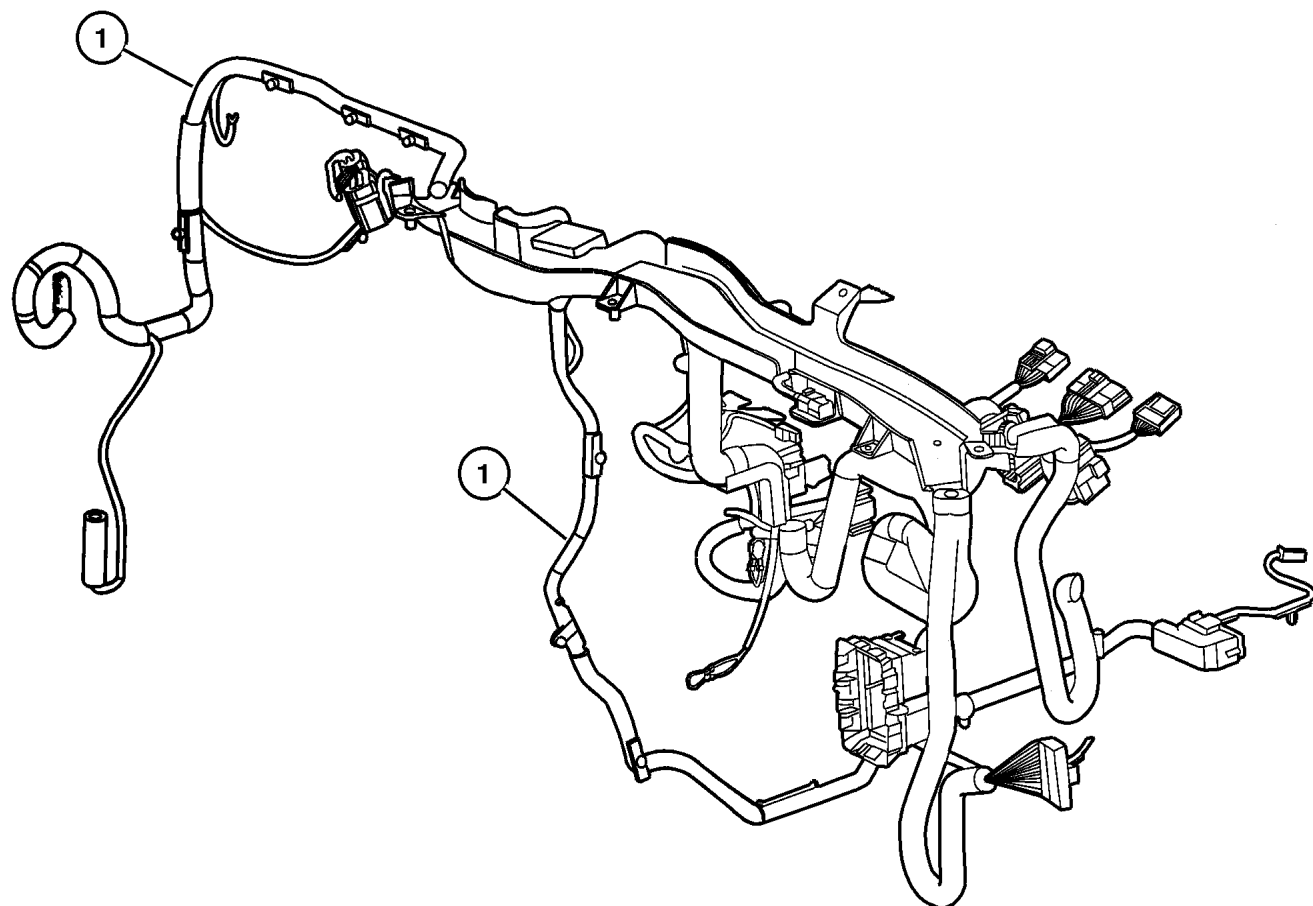
DODGE - CHRYSLER NEON (PL)

SERIES	LINE	BODY	ENGINE	TRANSMISSION
L=Low Line	Z= Chrysler, RHD	41 = 4 Door,	ECB = 2.0L 4 Cyl. , 16V SMPI	DD5 = 5 Speed Manual
H=High Line	D= Dodge	104WB	ECH = 2.0L 4 Cyl, 16V SOHC	DGL = 4 Speed Automatic
S = Special	C= Chrysler		EJD, EJ0 = 1.6L 4 Cyl 16v, SOHC	DG0 = All Automatics
P = Premium				DBB = All 5 Speed Manual
X = R/T				

AR = Use as required - = Non illustrated part # = New this model year

April 9, 2002

**Wiring, Instrument Panel
Figure 008-1405**



ITEM	PART NUMBER	QTY	LINE	SERIES	BODY	ENGINE	TRANS	DESCRIPTION
NOTE: The tag for this harness can be found on the back of the fuse block.								
1								WIRING, Instrument Panel
	#4794 850AA	1	C, D					With AM/FM Cassette
	#4794 851AA	1	C, D					With AM/FM Cassette, Side Air Bags
	#4794 852AA	1	C, D					
	#4794 853AA	1	C, D					With Light Group
	#4794 854AA	1	C, D					With Power Windows, Locks
	#4794 855AA	1	C, D					With Power Windows, Locks, Security
	#4794 858AA	1	C, D					With Auto Stick, Security European
	#4794 860AA	1	C, D					With Security, without Auto Stick European
	#4794 861AA	1	Z					Without Auto Stick
	#4794 956AA	1	C, D					With Power Windows, Locks, ABS, Security
	#4794 957AA	1	C, D					With Auto Stick
	#4794 959AA	1	Z					With Auto Stick
-2	00AT M10	2						FUSE, Mini, 10 AMP, Red
-3								LABEL, Fuse Block, Serviced in End Cap, (NOT SERVICED)
-4	4414 333	1						BREAKER, Circuit
-5								FLASHER
	4671 714AA	1	C, D					Export
	4671 715AA	1						
-6	#4671 841AA	1						WIRING, Compact Disc Changer

DODGE - CHRYSLER NEON (PL)

SERIES	LINE	BODY	ENGINE	TRANSMISSION
L=Low Line	Z= Chrysler, RHD	41 = 4 Door,	ECB = 2.0L 4 Cyl. , 16V SMPI	DD5 = 5 Speed Manual
H=High Line	D= Dodge	104WB	ECH = 2.0L 4 Cyl, 16V SOHC	DGL = 4 Speed Automatic
S = Special	C= Chrysler		EJD, EJO = 1.6L 4 Cyl 16v, SOHC	DG0 = All Automatics
P = Premium				DBB = All 5 Speed Manual
X = R/T				

AR = Use as required - = Non illustrated part # = New this model year

April 9, 2002

Wiring, Body and Accessories Figure 008-1505

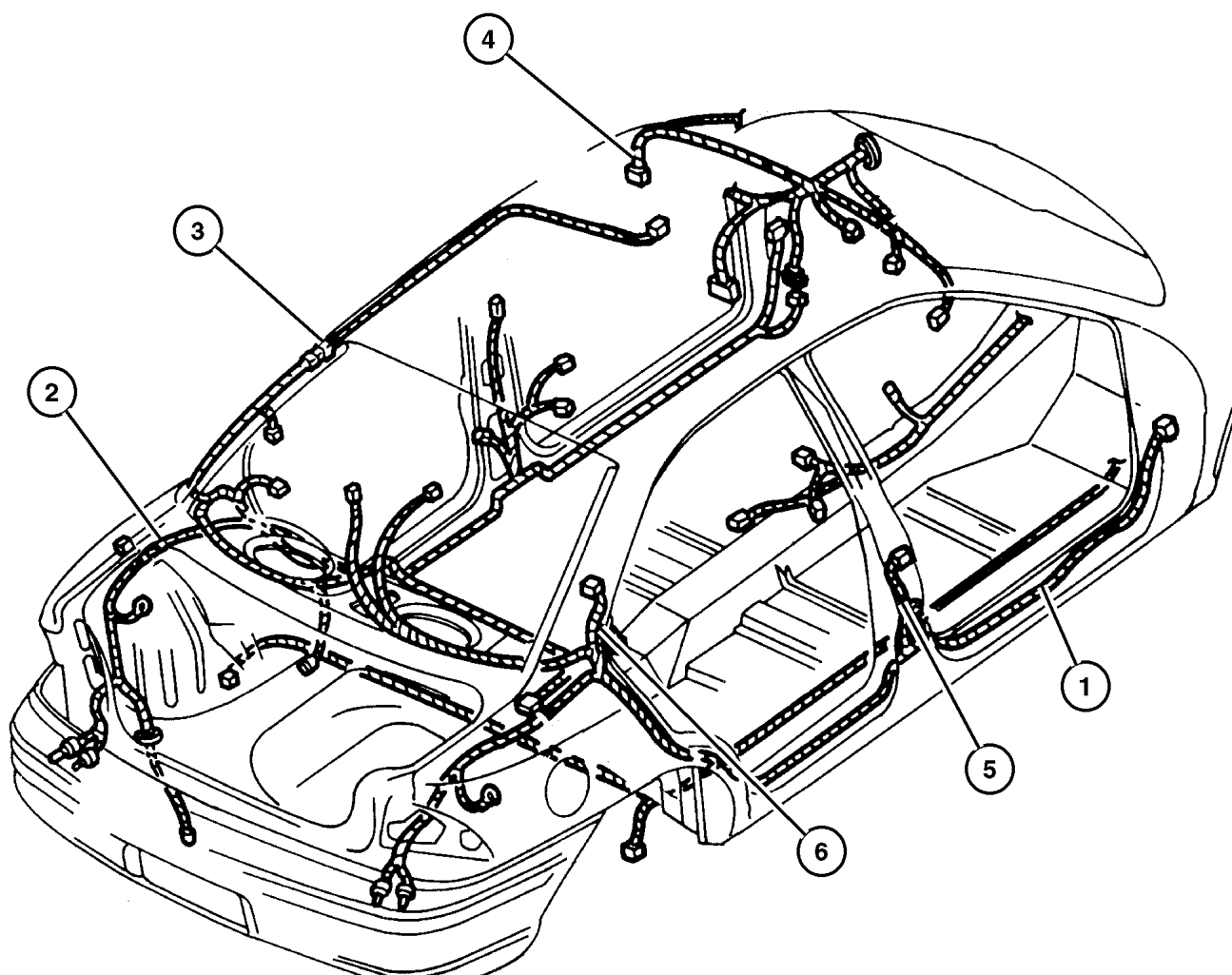
ITEM	PART NUMBER	QTY	LINE	SERIES	BODY	ENGINE	TRANS	DESCRIPTION
[EJD] = 1.6, 4 Cylinder SOHC								
[ECH]= 2.0, 4 Cylinder SOHC 16V Hi Perf								
[ECB] = 2.0, 4 Cylinder SOHC 16V								
NOTE: The tag for the unified body harness is located under the carpet at the left rear door.								
1								WIRING, Unified Body
	#4794 634AB	1	C, D					With Rear Defogger, Central Locking
	#4794 635AB	1	C, D					With Rear Defogger
	#4794 636AB	1	C, D					European, with Security
	#4794 637AB	1	Z					With Security
	#4794 638AB	1	C, D					With Wide Rear License Pocket
	#4794 640AB	1						With Central Locking
	#4794 641AB	1						With Rear Defogger
	#4794 739AC	1	C, D					European after 7/9/01
	#4794 740AC	1	Z					Without Security after 7/09/01
	#4794 739AB	1	C, D					European up to 7/9/01
	#4794 740AB	1	Z					Without Security up to 7/09/01
2								WIRING, Deck Lid
	4793 573AC	1						With Trunk Lamp
	4794 098AE	1						With Decklid Release
	4794 642AA	1						With Security
3								WIRING, Dome Lamp
	4794 150AA	1						With Assist Handle
	4794 233AA	1						With Security, Assist Handle without Sunroof
	4794 325AA	1						With Sunroof, without Security
	4794 326AA	1						With Sunroof, Security
4								WIRING, Illuminated Visor
	#4794 824AB	1						With Rearview Mirror Reading Lamp/ Compass
	#4794 825AB	1						With Rearview Mirror Reading Lamp/ Compass, Sunroof
	#4794 828AA	1						With Light Group
	#4794 829AA	1						With Sunroof
	#4794 844AA	1						With Sunroof, without Illuminated Visor
	#4794 845AA	1						With Sunroof, without Illuminated Visor
5								WIRING, Front Door
	4794 619AA	1	C, D					With Power Foldaway Mirrors, Power Windows, Left
	4794 620AA	1	Z					With Power Heated Mirrors, Right
	4794 621AA	1	Z					With Power Heated Mirrors, Left
	4794 881AA	2	C, D					With Manual Remote Mirrors, Power Windows, Central Locking

DODGE - CHRYSLER NEON (PL)

SERIES	LINE	BODY	ENGINE	TRANSMISSION
L=Low Line	Z= Chrysler, RHD	41 = 4 Door,	ECB = 2.0L 4 Cyl. , 16V SMPI	DD5 = 5 Speed Manual
H=High Line	D= Dodge	104WB	ECH = 2.0L 4 Cyl, 16V SOHC	DGL = 4 Speed Automatic
S = Special	C= Chrysler		EJD, EJO = 1.6L 4 Cyl 16v, SOHC	DG0 = All Automatics
P = Premium				DBB = All 5 Speed Manual
X = R/T				

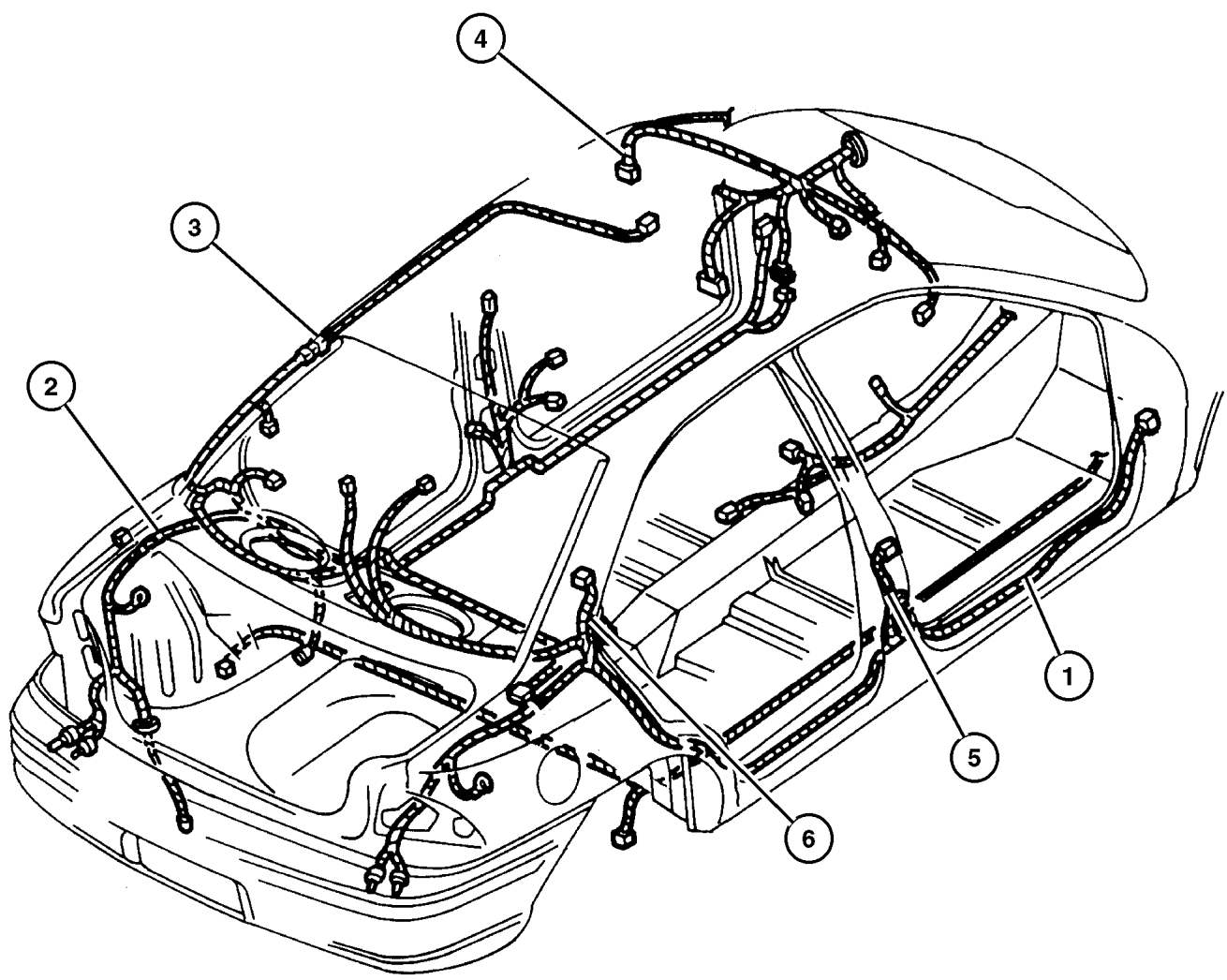
AR = Use as required - = Non illustrated part # = New this model year

April 9, 2002



Wiring, Body and Accessories
Figure 008-1505

ITEM	PART NUMBER	QTY	LINE	SERIES	BODY	ENGINE	TRANS	DESCRIPTION
	4794 882AA	2	C, D					With Manual Remote Mirrors
	#4794 893AB	1	Z					Left
	#4794 894AB	1	Z					Right
	#4794 895AB	1	C, D					With Power Breakaway Mirrors, Central Locking, Left
	#4794 896AB	1	C, D					With Power Breakaway Mirrors, Export, Right
	#4795 126AB	1	C, D					With Manual Remote Mirrors, Power Windows, Central Locking, Right
	#4795 223AB	1	C, D					With Power Breakaway Mirrors, Left
	#4795 224AB	1	C, D					With Power Breakaway Mirrors, Right
6	4794 598AA	2						WIRING, Rear Door
	4794 625AA	2						with Power Locks
-7	4793 950AB	1	Z					WIRING, A/C and HEATER
-8	4794 311AC	1						WIRING, Fog Lamp
-9								WIRING, Battery
	4793 571AH	1				ECB, ECH		
	4794 365AA	1				EJD		
-10								WIRING, Side Air Bag Jumper
	4794 737AA	1						Export, Left
	4794 738AA	1						Export, Right
-11	4794 462AC	1						WIRING, Power Seat Jumper
-12								WIRING, A/C Resistor and Wiper Motor
	4794 105AC	1	Z					
	4794 001AD	1	C, D					
-13								HARNESS, Wiring
	5072 131AA	1				EJD	DD5	Fan motor
		1				ECB	DGL	Fan motor
		1				ECB	DD5	Fan motor
-14	4644 539	1						WIRING, Heater and A/C
-15								WIRING, Rear ABS
	4793 946AA	1	Z					
		1	C, D					



DODGE - CHRYSLER NEON (PL)

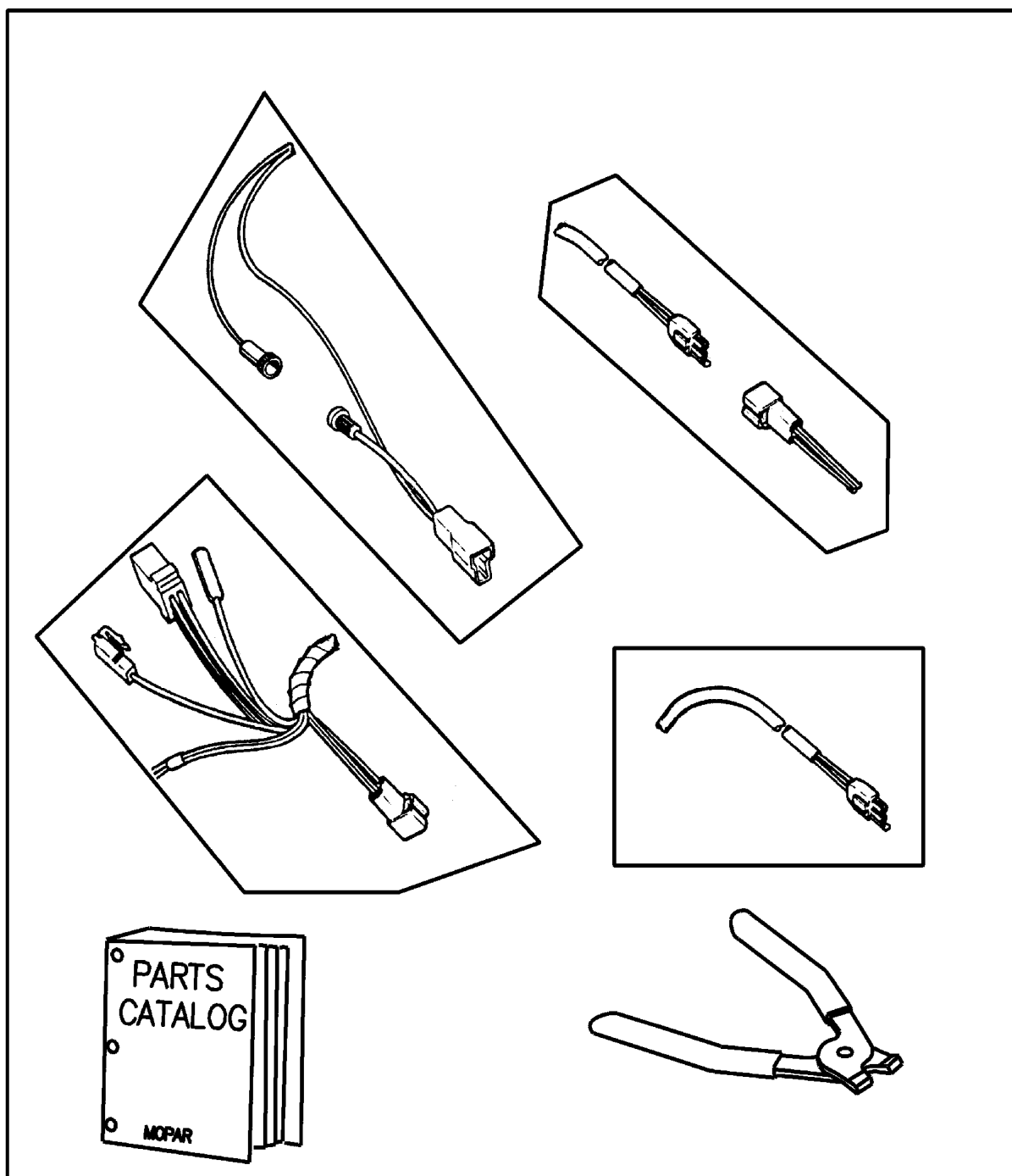
SERIES	LINE	BODY	ENGINE	TRANSMISSION
L=Low Line	Z= Chrysler, RHD	41 = 4 Door,	ECB = 2.0L 4 Cyl. , 16V SMPI	DD5 = 5 Speed Manual
H=High Line	D= Dodge	104WB	ECH = 2.0L 4 Cyl, 16V SOHC	DGL = 4 Speed Automatic
S = Special	C= Chrysler		EJD, EJO = 1.6L 4 Cyl 16v, SOHC	DG0 = All Automatics
P = Premium				DBB = All 5 Speed Manual
X = R/T				

AR = Use as required - = Non illustrated part # = New this model year

April 9, 2002

Wiring Repair Packages
Figure 008-1605

ITEM	PART NUMBER	QTY	LINE	SERIES	BODY	ENGINE	TRANS	DESCRIPTION
1	5013 930AD	1						WIRING PACKAGE, Underhood
-2	4364 375	1	C, D					Connector Repair TUBE, Convoluted
		1	Z					
-3	4707 091	1						CLIP, Wiring
	4793 492	1						Shock tower
	4794 424AA	1	Z					Instrument panel wiring
		1	C, D					Instrument panel wiring
-4	4794 703AB	1					DGL	CONNECTOR, Wiring, Distance sensor
-5	4794 263AA	1						STRAP, Ground Exhaust to body
	4794 264AE	1						Strut to body, Right
	4794 265AD	1						Strut to body, Left
	4794 269AB	1				ECB		Engine to body
		1				ECH		Engine to body
	4794 301AB	1				EJD	DGL	Engine to body
		1				EJD	DD5	Engine to body
-6	4856 502	1						STRAP, Tie



1

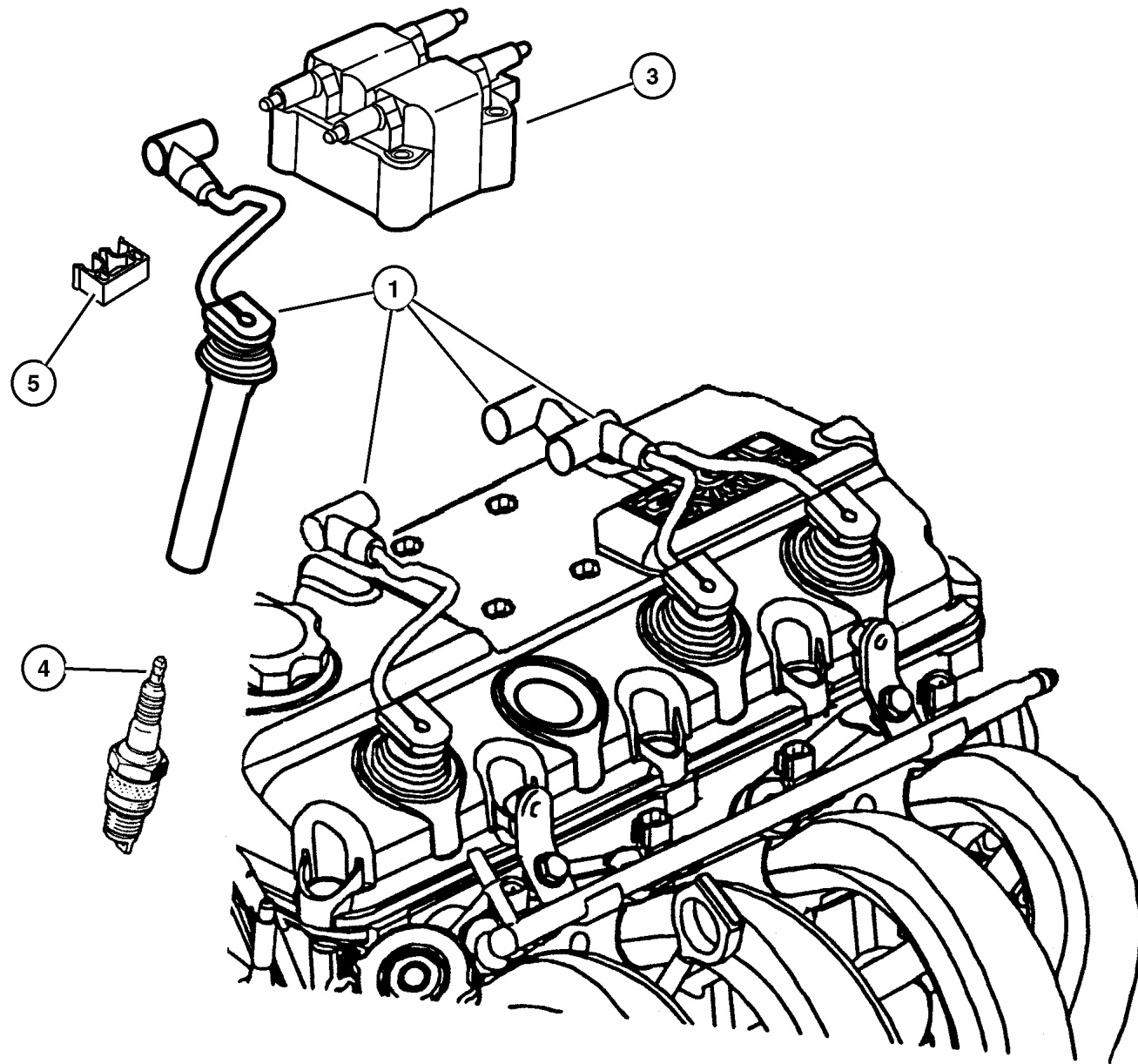
DODGE - CHRYSLER NEON (PL)

SERIES	LINE	BODY	ENGINE	TRANSMISSION
L=Low Line	Z= Chrysler, RHD	41 = 4 Door,	ECB = 2.0L 4 Cyl. , 16V SMPI	DD5 = 5 Speed Manual
H=High Line	D= Dodge	104WB	ECH = 2.0L 4 Cyl, 16V SOHC	DGL = 4 Speed Automatic
S = Special	C= Chrysler		EJD, EJO = 1.6L 4 Cyl 16v, SOHC	DG0 = All Automatics
P = Premium				DBB = All 5 Speed Manual
X = R/T				

AR = Use as required - = Non illustrated part # = New this model year

April 9, 2002

Spark Plugs, Cables, Coils Figure 008-1905



ITEM	PART NUMBER	QTY	LINE	SERIES	BODY	ENGINE	TRANS	DESCRIPTION
[EJD] = 1.6, 4 Cylinder SOHC								
[ECH]= 2.0, 4 Cylinder SOHC 16V Hi Perf								
[ECB] = 2.0, 4 Cylinder SOHC 16V								
1								CABLE, Ignition
	5033 216AA	1				EJD	DGL	Cylinder 1
	5033 217AA	1				EJD	DGL	Cylinder 2
	5033 218AA	1				EJD	DGL	Cylinder 3
	5033 219AA	1				EJD	DGL	Cylinder 4
	5269 577	2				ECB		Cylinders 1 and 4
		2				ECH		Cylinders 1 and 4
	5269 578	2				ECB		Cylinders 2 and 3
		2				ECH		Cylinders 2 and 3
-2								CABLE PACKAGE, Ignition
	5072 488AA	1				EJD	DGL	Export
	#5083 893AA	1				ECH		
		1				ECB		
3								COIL, Ignition
	5269 670	1				ECB		
		1				ECH		
	5269 670AB	1				EJD	DGL	Export
4								SPARK PLUG, RC-9-YC
	SP000 RC9YC	4				ECB		
		4				ECH		
5								RETAINER, Ignition Cable
	5269 579	1				EJD	DGL	
		2				ECB		
		2				ECH		
-6	6502 921	4				ECH		SCREW, Coil Mounting
-7								SEAL, Spark Plug Tube
	4777 800AB	4				EJD	DGL	
		4				EJD	DD5	
	4777 042AB	4				ECB		
		4				ECH		
-8								TUBE, Spark Plug
	4648 604	4				ECB		
		4				ECH		
	4777 794AA	4				EJD	DGL	
		4				EJD	DD5	

DODGE - CHRYSLER NEON (PL)

SERIES	LINE	BODY	ENGINE	TRANSMISSION
L=Low Line	Z= Chrysler, RHD	41 = 4 Door,	ECB = 2.0L 4 Cyl. , 16V SMPI	DD5 = 5 Speed Manual
H=High Line	D= Dodge	104WB	ECH = 2.0L 4 Cyl, 16V SOHC	DGL = 4 Speed Automatic
S = Special	C= Chrysler		EJD, EJO = 1.6L 4 Cyl 16v, SOHC	DG0 = All Automatics
P = Premium				DBB = All 5 Speed Manual
X = R/T				

AR = Use as required - = Non illustrated part # = New this model year

April 9, 2002

Group – 08A

Instrument Panel and Radios and Consoles

GROUP 8A - Instrument Panel and Radios and Consoles

Illustration Title

Group-Fig. No.

Instrument Panel

Instrument Panel Fig. 08A-105

Instrument Panel Cluster

Cluster, Instrument Panel Fig. 08A-205

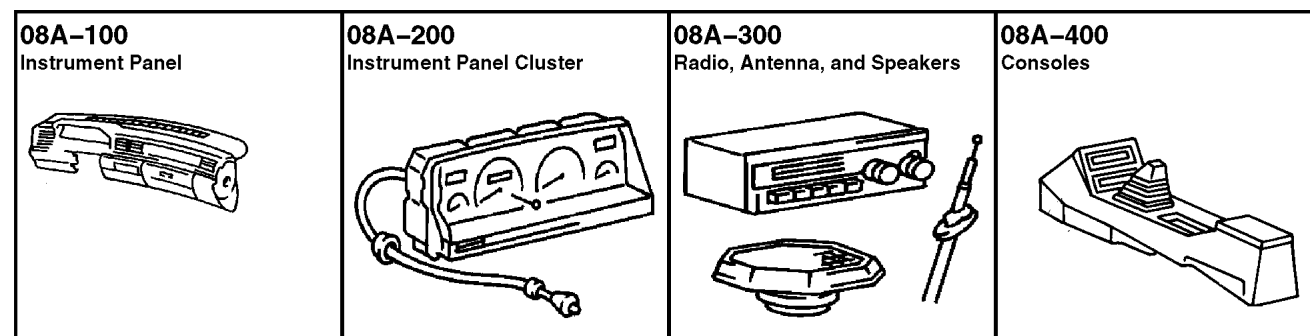
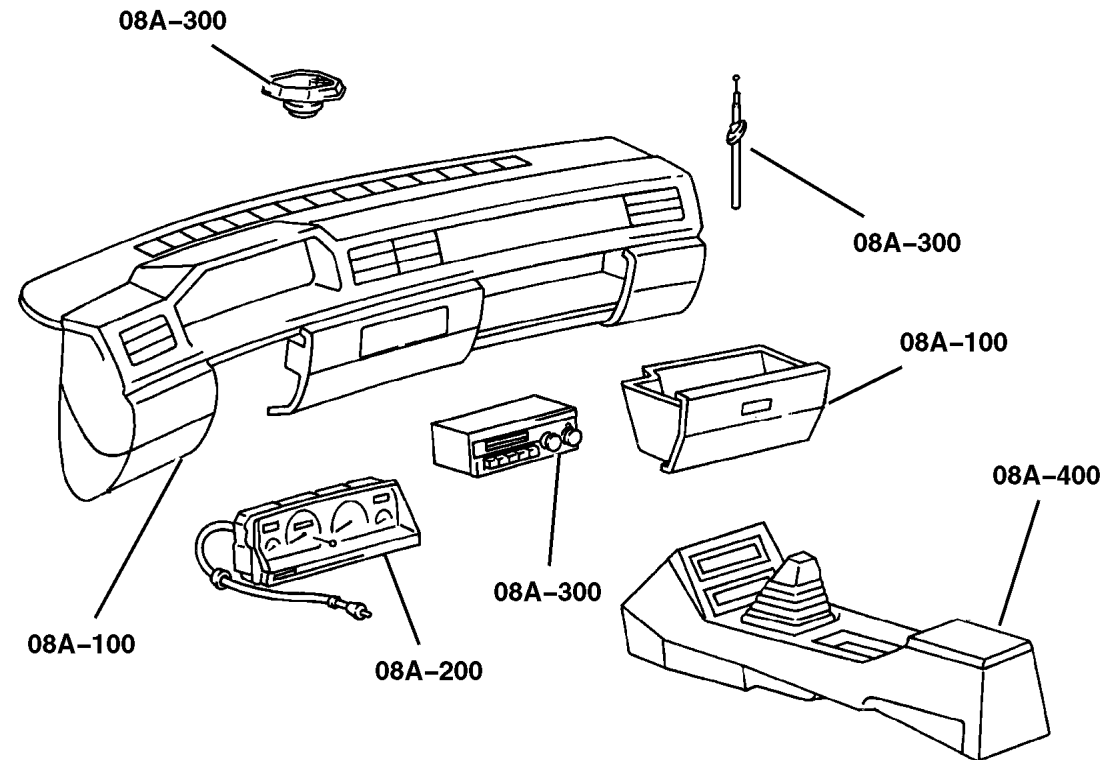
Radio, Antenna, and Speakers

Radios Fig. 08A-305

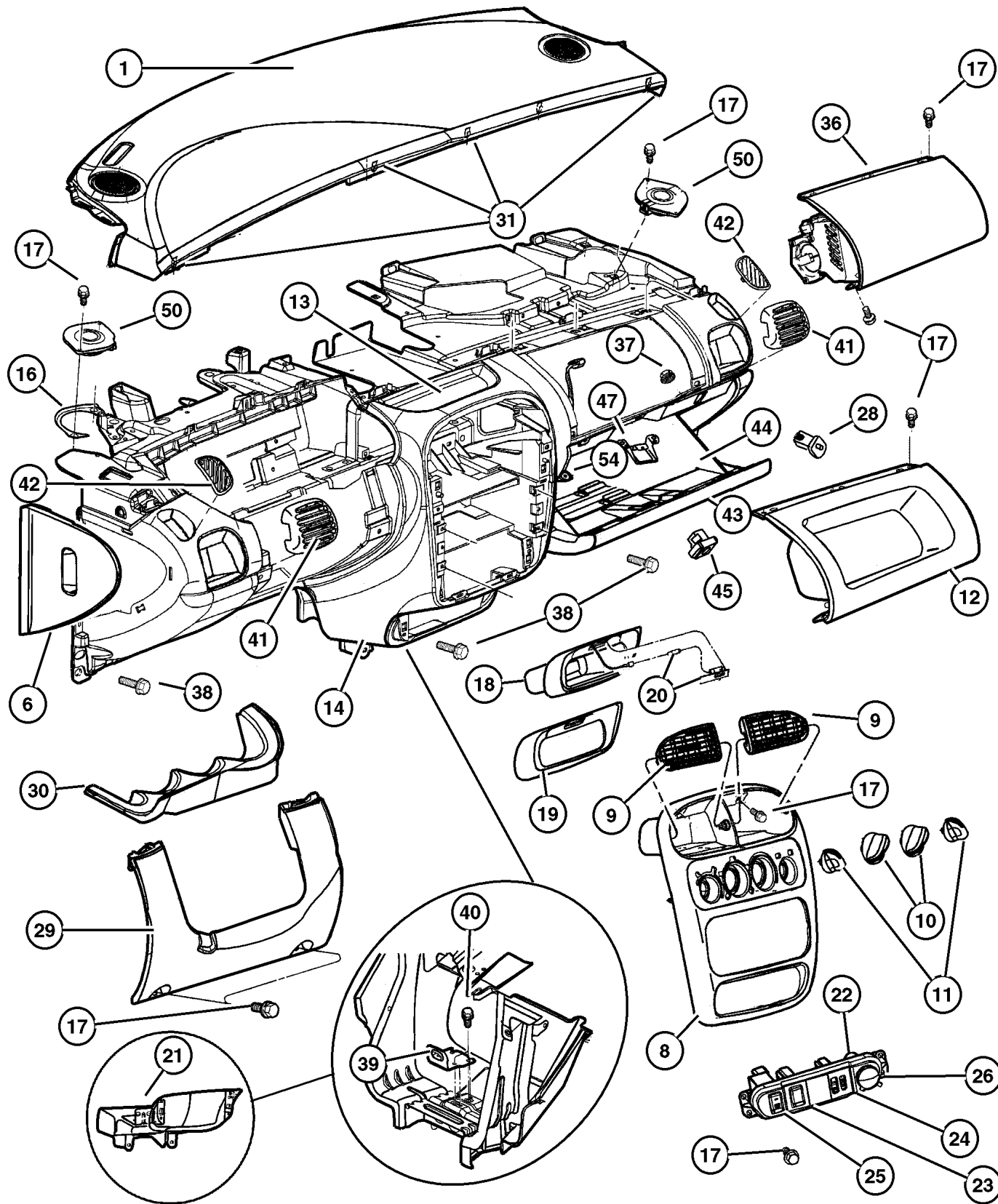
Antenna - Speakers Fig. 08A-310

Consoles

Console-Floor Fig. 08A-405



Instrument Panel
Figure 08A-105



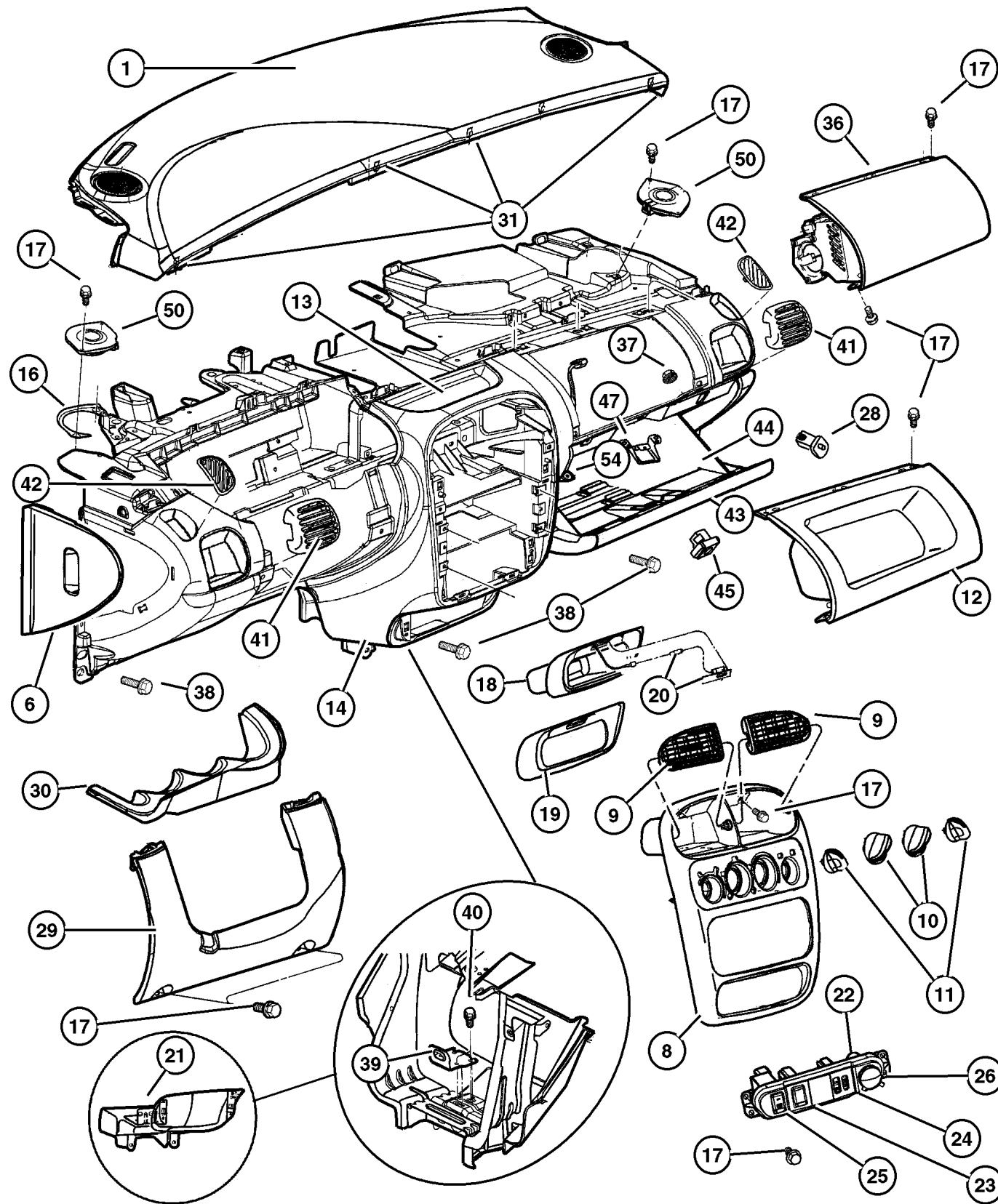
ITEM	PART NUMBER	QTY	LINE	BODY	DESCRIPTION
1					COVER, Instrument Panel
	#QA05 WL8AG	1	C, D		[L5]
	#QA05 XDVAG	1	C, D		[DV]
	#QS64 WL8AG	1	Z		[L5]
	#QS64 XDVAG	1	Z		[DV]
-2					CLIP, Instrument Panel
	5291 542AA	2	Z		Top Cover Guide
	6504 664	2	C, D		Top Cover Guide
					Cover Attaching
-3					SEAL, Instrument Panel
	5291 494AA	1	Z		
		1	C, D		
-4	5008 012AA	1			ISOLATOR, Cowl Top, Centering
-5					BEZEL, Instrument Panel
	SA03 WL8AA	1	Z		[L5] Adapter Top Cover Defroster Opening
	SA03 XDVAA	1	Z		[DV] Adapter Top Cover Defroster Opening
6					END CAP, Instrument Panel
	QN18 WL5AC	1	C, D		[L5], Right
	QN18 XDVAC	1	C, D		[DV], Right
	#QN19 WL5AE	1	C, D		[L5], Left
	#QN19 XDVAE	1	C, D		[DV], Left
	#QS66 WL5AE	1	Z		[L5]
	#QS66 XDVAE	1	Z		[DV]
-7	6505 665AA	3	Z		CLIP, Instrument Panel, End cap attaching
8					BEZEL, Instrument Panel, Center
	SM13 WL5AD	1	C, D		[L5] With Air Conditioning (Bronze Weave)
	SM13 LAZAD	1	C, D		[DV] With Air Conditioning (Bronze Weave)
	QA02 DX9AE	1	C, D		Black, With Air Conditioning
	QT44 AAAAD	1	C, D		Woodgrain, With Air Conditioning
	#QA02 XDVAF	1	C, D		[DV] With Air Conditioning
	#QA02 WL5AF	1	C, D		[L5] With Air Conditioning
	#QT01 WL5AF	1	C, D		[L5] Without Air Conditioning
	#QT01 XDVAF	1	C, D		[DV] Without Air Conditioning
	#WV11 PR4AA	1			Body Color [R4] With Air Conditioning
	#WV11 VYHAA	1			Body Color [YH] With Air Conditioning
	#WV11 ZBJAA	1			Body Color [BJ] With Air Conditioning
9					OUTLET, Air
	QT59 DX9AC	1			Left,Center
	QT58 DX9AC	1			Right,Center
10					KNOB, A/C Control
	SZ13 DX9AA	1	Z		Black
		2			Black

DODGE - CHRYSLER NEON (PL)
 SERIES LINE BODY ENGINE TRANSMISSION
 L=Low Line Z=Chrysler, RHD 41=4 Door, ECB=2.0L 4 Cyl., 16V SMPI DD5=5 Speed Manual
 H=High Line D=Dodge 104WB ECH=2.0L 4 Cyl, 16V SOHC DGL=4 Speed Automatic
 S=Special C=Chrysler EJD, EJ0=1.6L 4 Cyl 16v, SOHC DG0=All Automatics
 P=Premium X=R/T DBB=All 5 Speed Manual

AR = Use as required - = Non illustrated part # = New this model year

April 9, 2002

Instrument Panel
Figure 08A-105



ITEM	PART NUMBER	QTY	LINE	BODY	DESCRIPTION
11	SZ14 DX9AA	1			KNOB, Blower Switch, Black
12	SV74 WL5AA	1	C, D		TRAY, Instrument Panel [L5]
	SV74 XDVAA	1	C, D		[DV]
13	SD63 WL5AA	1	Z		TRAY, Instrument Panel [L5]
	SD63 XDVAA	1	C, D		[L5]
		1	Z		[DV]
		1	C, D		[DV]
14	TS26 WL5AB	1	Z		PANEL, Instrument [L5]
	TS26 XDVAB	1	Z		[DV]
	TY80 WL5AB	1	C, D		[L5]
	TY80 XDVAB	1	C, D		[DV]
-15	5291 355AB	1			REINFORCEMENT, Instrument Panel With Stowage Bin
		1	D, Z		With Stowage Bin
	5291 270AA	1	Z		
	#5291 582AA	1	C, D		
16	5291 328AB	1	Z		BRACKET, Speaker
	5291 321AB	1	C, D		
17	6032 723	4			SCREW, Self Tapping, M4.2x1.69x19.05
18	SF60 WL5AD	1			BIN, Instrument Panel [L5]
	SF60 XDVAD	1			[DV]
19	RG93 WL5AA	1			BEZEL, Instrument Panel [L5]
	RG93 XDVAA	1			[DV]
20	4608 669AA	1			LAMP, Ash Receiver
21	5291 355AB	1			REINFORCEMENT, Instrument Panel, Storage Bin
22	5015 789AA	1			BEZEL, Cigar Lighter with EBL, Headlamp Leveling
	5015 787AA	1			with EBL
23	4671 672AA	1			SWITCH, Traction Control
24	4794 276AA	1			SWITCH, Headlamp Leveling
25	4671 670AB	1			SWITCH, Electric Back Light
26					CAP, Cigar Lighter, Serviced in Bezel Assy. 19, (NOT SERVICED)
-27	4685 590	1			BASE, Cigar Lighter
28	4565 022	1			SWITCH AND LAMP, Glove Box
29					COVER, Steering Column

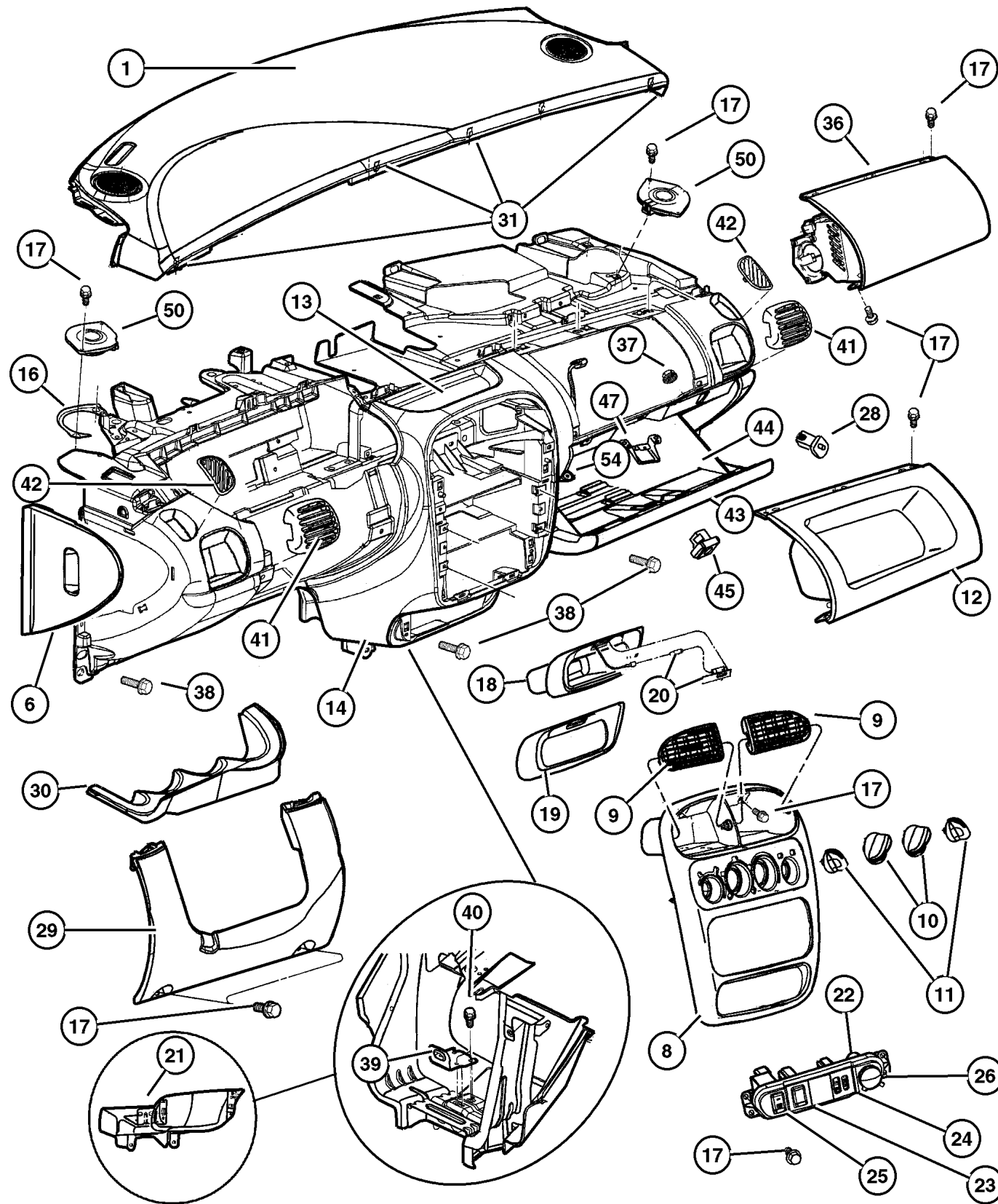
DODGE - CHRYSLER NEON (PL)

SERIES	LINE	BODY	ENGINE	TRANSMISSION
L=Low Line	Z= Chrysler, RHD	41 = 4 Door, 104WB	ECB = 2.0L 4 Cyl. , 16V SMPI	DD5 = 5 Speed Manual
H=High Line	D= Dodge		ECH = 2.0L 4 Cyl, 16V SOHC	DGL = 4 Speed Automatic
S = Special	C= Chrysler		EJD, EJ0 = 1.6L 4 Cyl 16v, SOHC	DG0 = All Automatics
P = Premium				DBB = All 5 Speed Manual
X = R/T				

AR = Use as required - = Non illustrated part # = New this model year

April 9, 2002

Instrument Panel
Figure 08A-105



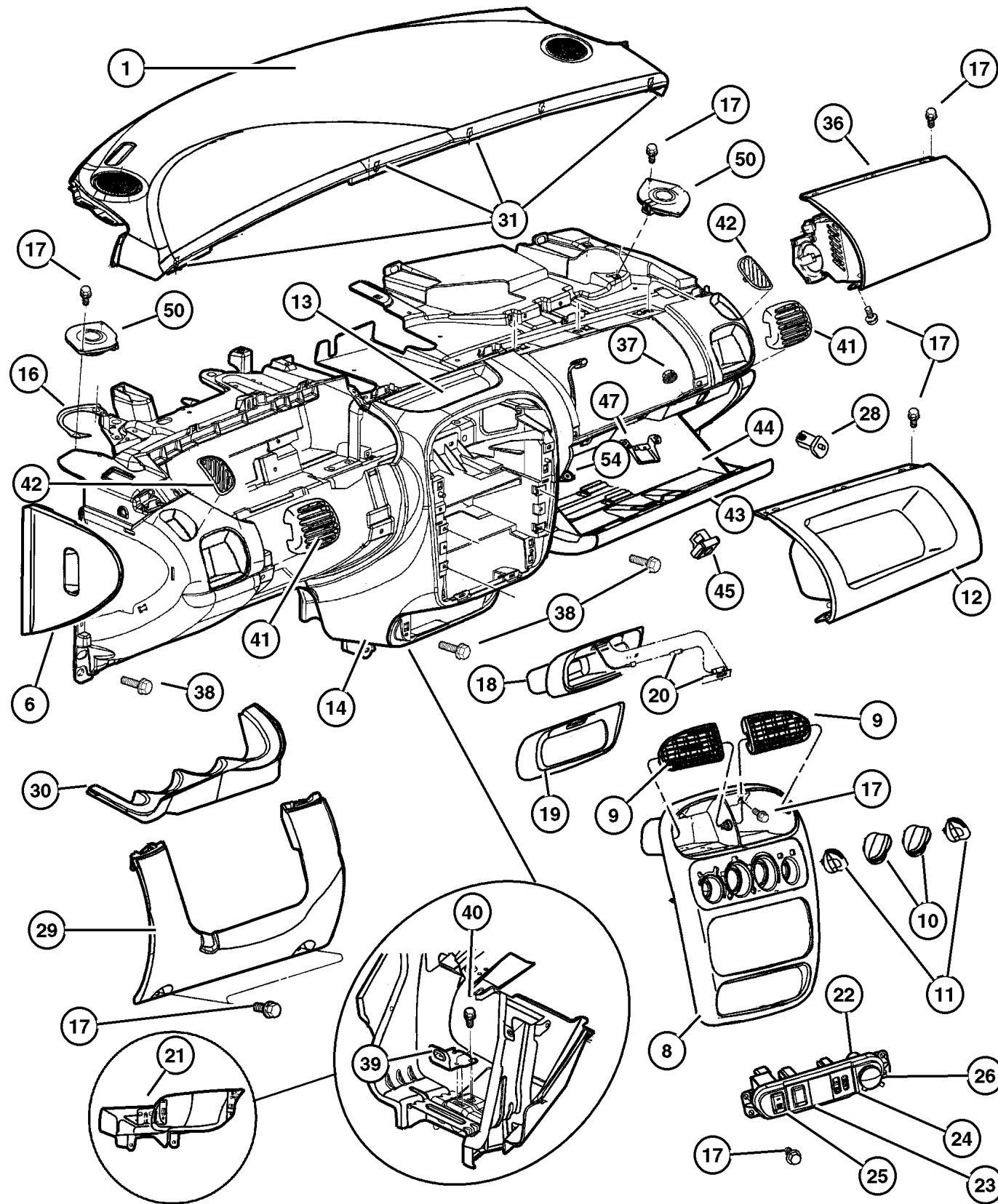
ITEM	PART NUMBER	QTY	LINE	BODY	DESCRIPTION
	4664 219AA	1	C, D		
	4664 220AA	1	Z		
	QA03 WL5AD	1	C, D		[L5] With Tilt
	QA03 XDVA	1	C, D		[DV] With Tilt
30					BEZEL, Instrument Panel
	QA06 1DVAC	1	C, D		[DV]
	QA06 1L8AC	1	C, D		[L5]
31	6505 986AA	5	Z		CLIP, Instrument Panel
-32	4595 823AA	1			SMOKERS KIT, Ash Receiver With Lighter
-33	4595 665	1			ASH RECEIVER, Instrument Panel
-34	4685 536AB	1			KNOB AND ELEMENT, Cigar Lighter
-35	4595 748AA	1			LABEL, Air Bag Warning, Glovebox Door
36					AIR BAG, Passenger
	#WQ81 WL5AA	1	C, D		[L5]
	#WQ81 XDVA	1	C, D		[DV]
	#WQ90 WL5AA	1	Z		[L5]
	#WQ90 XDVA	1	Z		[DV]
37	6102 167AA	3			NUT AND WASHER, Passenger Airbag Mounting
38	6032 723	2			SCREW, Self Tapping, M4.2x1.69x19.05
39					BRACKET, Instrument Panel
	5291 443AA	1	Z		CD Changer Mounting
	5291 370AA	1	C, D		
40					SCREW, (NOT SERVICED)
41					OUTLET, Air
	QT56 WL5AA	2	Z		[L5]
	QT56 XDVA	2	Z		[DV]
	QT56 WL5AA	2	C, D		[L5]
	QT56 XDVA	2	C, D		[DV]
42					GRILLE, Demister
	RC58 WL5AA	1	Z		[L5], Right
	RC58 XDVA	1	Z		[DV], Right
	RC59 WL5AA	1	Z		[L5], Left
	RC59 XDVA	1	Z		[DV], Left
	RB23 WL5AA	1	C, D		[L5], Left
	RB23 XDVA	1	C, D		[DV], Left
	RB24 WL5AA	1	C, D		[L5], Right
	RB24 XDVA	1	C, D		[DV], Right
43					GLOVE BOX, Instrument Panel
	#WH02 WL5AA	1	C, D		[L5]
	#WH02 XDVA	1	C, D		[DV]
	#WH03 WL5AA	1	Z		[L5]

DODGE - CHRYSLER NEON (PL)
 SERIES LINE BODY ENGINE TRANSMISSION
 L=Low Line Z=Chrysler, RHD 41=4 Door, ECB=2.0L 4 Cyl., 16V SMPI DD5=5 Speed Manual
 H=High Line D=Dodge 104WB ECH=2.0L 4 Cyl., 16V SOHC DGL=4 Speed Automatic
 S=Special C=Chrysler EJD, EJO=1.6L 4 Cyl 16v, SOHC DG0=All Automatics
 P=Premium X=R/T DBB=All 5 Speed Manual

AR = Use as required - = Non illustrated part # = New this model year

April 9, 2002

**Instrument Panel
Figure 08A-105**



ITEM	PART NUMBER	QTY	LINE	BODY	DESCRIPTION
	#WH03 XDVAA	1	Z		[DV]
44	UB60 WL5AA	1	Z		BIN, Glove box
	UB60 XDVAA	1	Z		[L5]
45	FX01 WL5	1	C, D		[DV]
	FX01 XDV	1	Z		LATCH, Glovebox
	FX01 WL5	1	C, D		[L5]
	FX01 XDV	1	Z		[L5]
	FX01 WL5	1	C, D		[DV]
	FX01 XDV	1	Z		[DV]
-46	4460 426	1	Z		CLIP, Glove Box Latch
	4460 426	1	C, D		
47	5291 341AA	1	Z		STRIKER, Glove Box Door Latch
	5291 341AA	1	C, D		
-48	4311 741	1	C, D		CLIP, Glove Box Catch
	4311 741	1	Z		
-49	5291 369AA	1	Z		BUMPER, Glove Box Door
50	4793 608AB	2			SPEAKER, Instrument Panel
-51					MOLDING, instrument panel, (NOT REQUIRED)
-52					TRANSMITTER, Keyless Entry
	4759 008AD	2			
	4759 011AC	2			Europe
-53	5293 045AG	1			RECEIVER, Keyless Entry
54	4760 847AC	1			SWITCH, Deck Lid Release
-55	4668 541AA	1	Z		BRACKET, Guide Clip Mounting

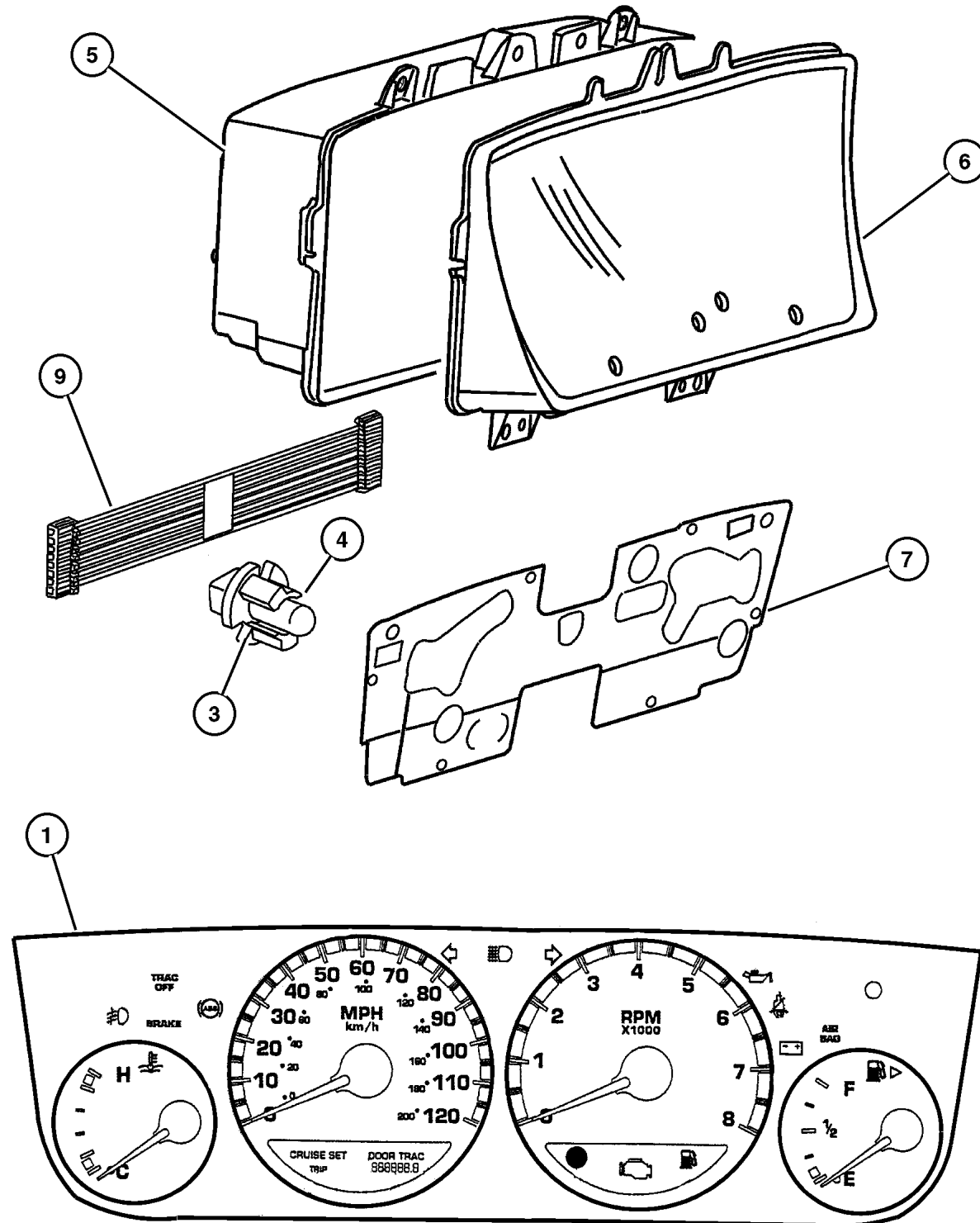
DODGE - CHRYSLER NEON (PL)

SERIES	LINE	BODY	ENGINE	TRANSMISSION
L=Low Line	Z= Chrysler, RHD	41 = 4 Door,	ECB = 2.0L 4 Cyl. , 16V SMPI	DD5 = 5 Speed Manual
H=High Line	D= Dodge	104WB	ECH = 2.0L 4 Cyl, 16V SOHC	DGL = 4 Speed Automatic
S = Special	C= Chrysler		EJD, EJO = 1.6L 4 Cyl 16v, SOHC	DG0 = All Automatics
P = Premium				DBB = All 5 Speed Manual
X = R/T				

AR = Use as required - = Non illustrated part # = New this model year

April 9, 2002

Cluster, Instrument Panel
Figure 08A-205



ITEM	PART NUMBER	QTY	LINE	BODY	DESCRIPTION
1					CLUSTER, Instrument Panel
	#4671 810AC	1			240 KPH with Tach & without Autostick Transmission
	#4671 805AE	1	C, D		120 MPH without Tach
	#4671 806AD	1	C, D		120 MPH with Tach
	#4671 808AD	1			240 KPH without Tach
	#4671 809AD	1			240 KPH with Tach (Europe)
	#4671 811AC	1			240 KPH with Tach & with Autostick Transmission (Europe)
	#4671 812AC	1	Z		140 MPH with Tach & without Autostick Transmission (Europe)
	#4671 813AC	1	Z		140 MPH with Tach & with Autostick Transmission (Europe)
	#4671 876AJ	1	C, D		140 MPH with Tach
-2	6032 723	4			SCREW, Self Tapping, M4.2x1.69x19.05
3	5288 915AA	1			SOCKET
4	4688 388	1			LAMP, Bulb And Socket
5					HOUSING, Instrument Cluster, Serviced with Cluster Assembly, (NOT SERVICED)
6					MASK AND LENS, Instrument Cluster, Serviced with Cluster Assembly, (NOT SERVICED)
7					COVER, Instrument Cluster, Serviced with Cluster Assembly, (NOT SERVICED)
-8					GAUGE, Odometer, Serviced with Cluster Assembly, (NOT SERVICED)
9	4827 530AB	1			CABLE, Odometer

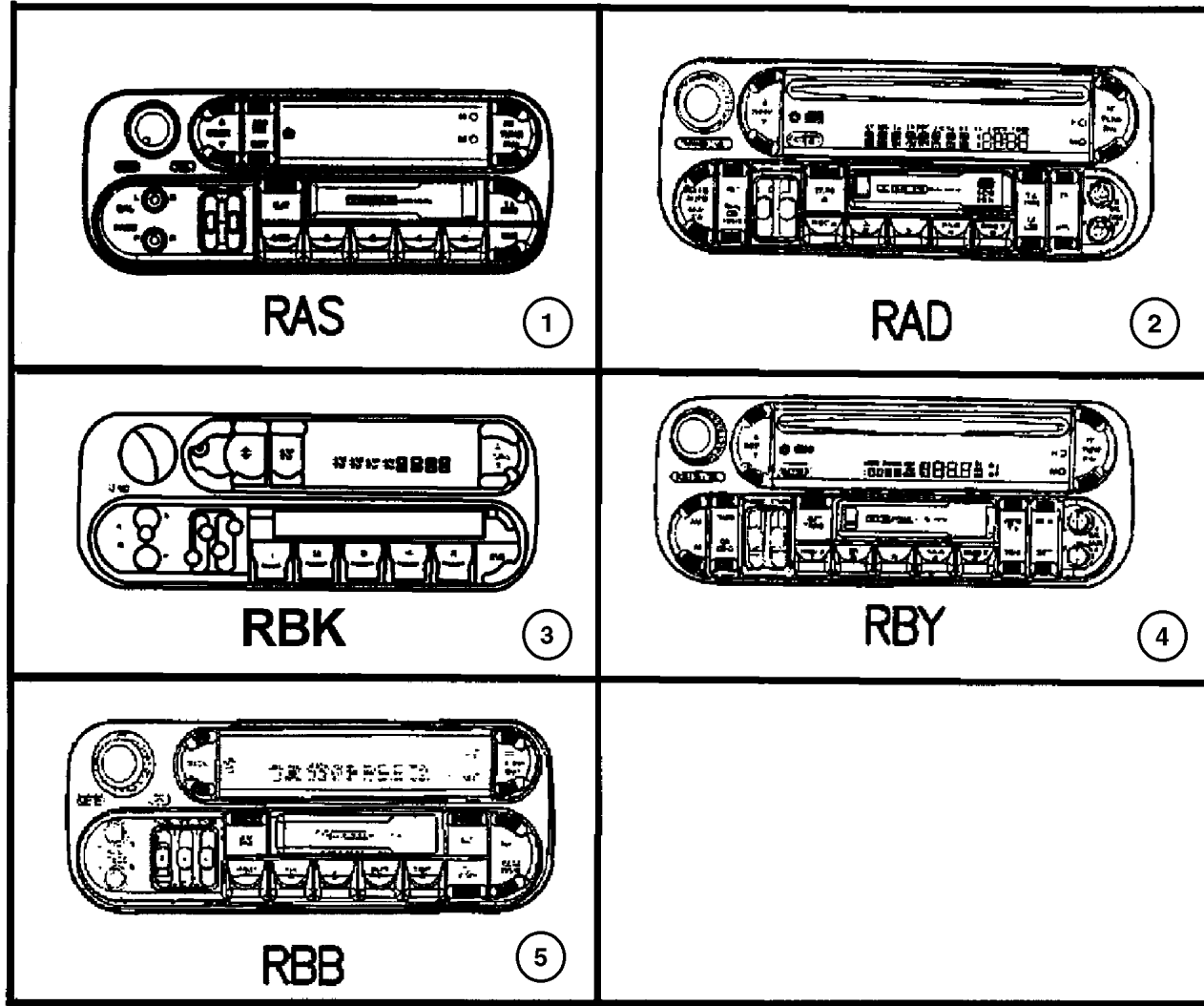
DODGE - CHRYSLER NEON (PL)

SERIES	LINE	BODY	ENGINE	TRANSMISSION
L=Low Line	Z= Chrysler, RHD	41 = 4 Door, 104WB	ECB = 2.0L 4 Cyl. , 16V SMPI	DD5 = 5 Speed Manual
H=High Line	D= Dodge		ECH = 2.0L 4 Cyl, 16V SOHC	DGL = 4 Speed Automatic
S = Special	C= Chrysler		EJD, EJ0 = 1.6L 4 Cyl 16v, SOHC	DG0 = All Automatics
P = Premium				DBB = All 5 Speed Manual
X = R/T				

AR = Use as required - = Non illustrated part # = New this model year

April 9, 2002

**Radios
Figure 08A-305**



ITEM	PART NUMBER	QTY	LINE	BODY	DESCRIPTION
------	-------------	-----	------	------	-------------

NOTE: For CD Changer replacement order Z4858522AG on function 11

[RAD] = AM/FM Cassette/CD with Changer

[RAS] = AM/FM Cassette

[RBB] = AM/FM Cassette with Changer Controls

[RBK] = AM/FM Cassette/Compact CD with Changer

[RBY] = AM/FM Cassette/CD with Changer

[RDW] = 4 Disc In-Dash CD Changer

1	56038 931AB	1			RADIO, AM/FM Cassette, [RAS]
2	#56038 585AL	1			RADIO, AM/FM/Cassette With CD, [RAD]
3	#56038 589AL	1			RADIO, AM/FM with CD and Equalizer, [RBK]
4	#56038 583AG	1			RADIO, AM/FM/Cassette With CD, [RBY]
5	#56038 588AK	1			RADIO, AM/FM/Cassette With CD Control, [RBB]
-6	#56038 555AH	1		41	RADIO, AM/FM with CD and Cassette, [RAZ]
-7	#56038 584AI	1			RADIO, AM/FM/Cassette With CD, [RBT]
-8	#56038 586AI	1			RADIO, AM/FM/Cassette With CD, [RBP]
-9	#8220 7505	1			PLAYER PACKAGE, CD Changer - 4 Disc
-10	#4671 841AA	1			WIRING, Compact Disc Changer, [RDW]
-11					BRACKET, Instrument Panel
	5291 443AA	1	Z		[RDW] CD Changer Mounting
	5291 370AA	1	C, D		[RDW]
-12	#8220 7541	1			WIRING KIT, Audio System Adapter, Used when installing radios with 22 way connector radios to vehicles with 7 way radio connectors

DODGE - CHRYSLER NEON (PL)

SERIES	LINE	BODY	ENGINE	TRANSMISSION
L=Low Line	Z= Chrysler, RHD	41 = 4 Door,	ECB = 2.0L 4 Cyl. , 16V SMPI	DD5 = 5 Speed Manual
H=High Line	D= Dodge	104WB	ECH = 2.0L 4 Cyl, 16V SOHC	DGL = 4 Speed Automatic
S = Special	C= Chrysler		EJD, EJO = 1.6L 4 Cyl 16v, SOHC	DG0 = All Automatics
P = Premium				DBB = All 5 Speed Manual
X = R/T				

AR = Use as required - = Non illustrated part # = New this model year

April 9, 2002

Antenna - Speakers
Figure 08A-310

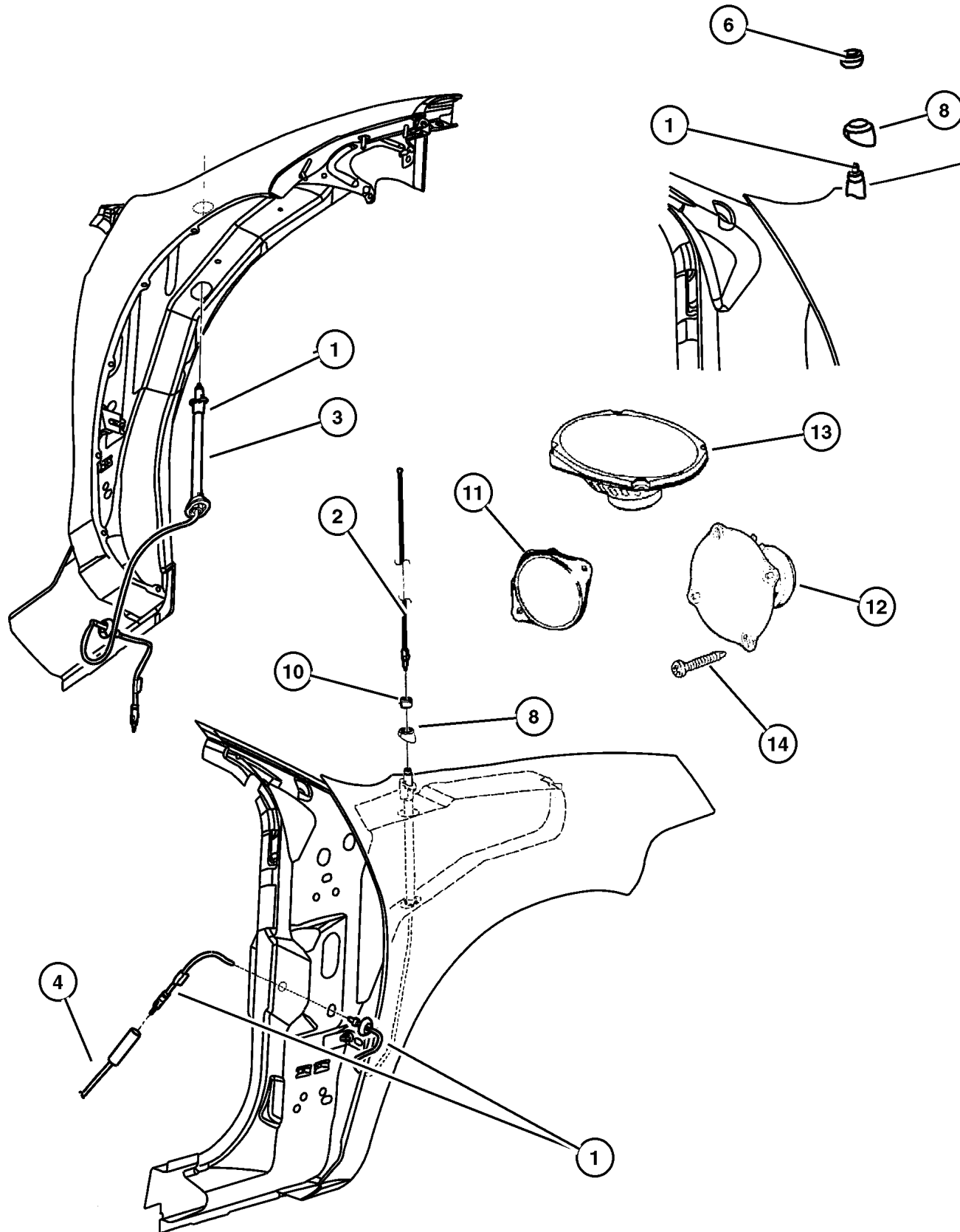
ITEM	PART NUMBER	QTY	LINE	BODY	DESCRIPTION
1					ANTENNA
	4793 961AE	1	C, D		
	4794 192AE	1	Z		
2					MAST, Antenna Export
	4793 962AC	1	C, D		
		1	Z		
	4794 176AE	1	C, D		
3	4794 136AA	1			BODY AND CABLE, Antenna
4	#5269 216AE	1			CABLE, Antenna Extension
-5					STRAP, Ground
	4794 263AA	1			Exhaust to Body
	4794 264AC	1			Strut Bracket to Body, Right
	4794 265AD	1			Strut Bracket to Body, Left
	4794 269AB	1			Engine to Body
	4794 301AB	1			Engine to Body, with 1.6L Engine
6	4793 964AC	1			CAP NUT, Antenna
-7	4685 498	1			SHROUD, Antenna Cap Nut
8					ADAPTER, Antenna
	4793 963AA	1	C, D		
	4794 193AA	1	Z		
-9	2860 332	1			PLUG, Anti-Rattle, Antenna Hole Plug
10	5600 7570	1	C, D		NUT, M6x1
11	4793 608AB	2			SPEAKER, Instrument Panel
12					SPEAKER, Front Door
	4794 030AC	1			Right
	4794 031AC	1			Left
13	4793 613	2			SPEAKER, Rear, 6x9, Rear Shelf
14					SCREW, Self Tapping, M4.2x1.69x19.05
	6032 723	4			Instrument Panel Speaker
		8			Front Door Speaker
-15	4793 117	1			CAPACITOR, Radio Noise Suppression
-16	5269 593	1			CAP, Antenna Body
-17	4794 300AA	1			PLUG, Antenna Hole

DODGE - CHRYSLER NEON (PL)

SERIES	LINE	BODY	ENGINE	TRANSMISSION
L=Low Line	Z= Chrysler, RHD	41 = 4 Door,	ECB = 2.0L 4 Cyl. , 16V SMPI	DD5 = 5 Speed Manual
H=High Line	D= Dodge	104WB	ECH = 2.0L 4 Cyl, 16V SOHC	DGL = 4 Speed Automatic
S = Special	C= Chrysler		EJD, EJO = 1.6L 4 Cyl 16v, SOHC	DG0 = All Automatics
P = Premium				DBB = All 5 Speed Manual
X = R/T				

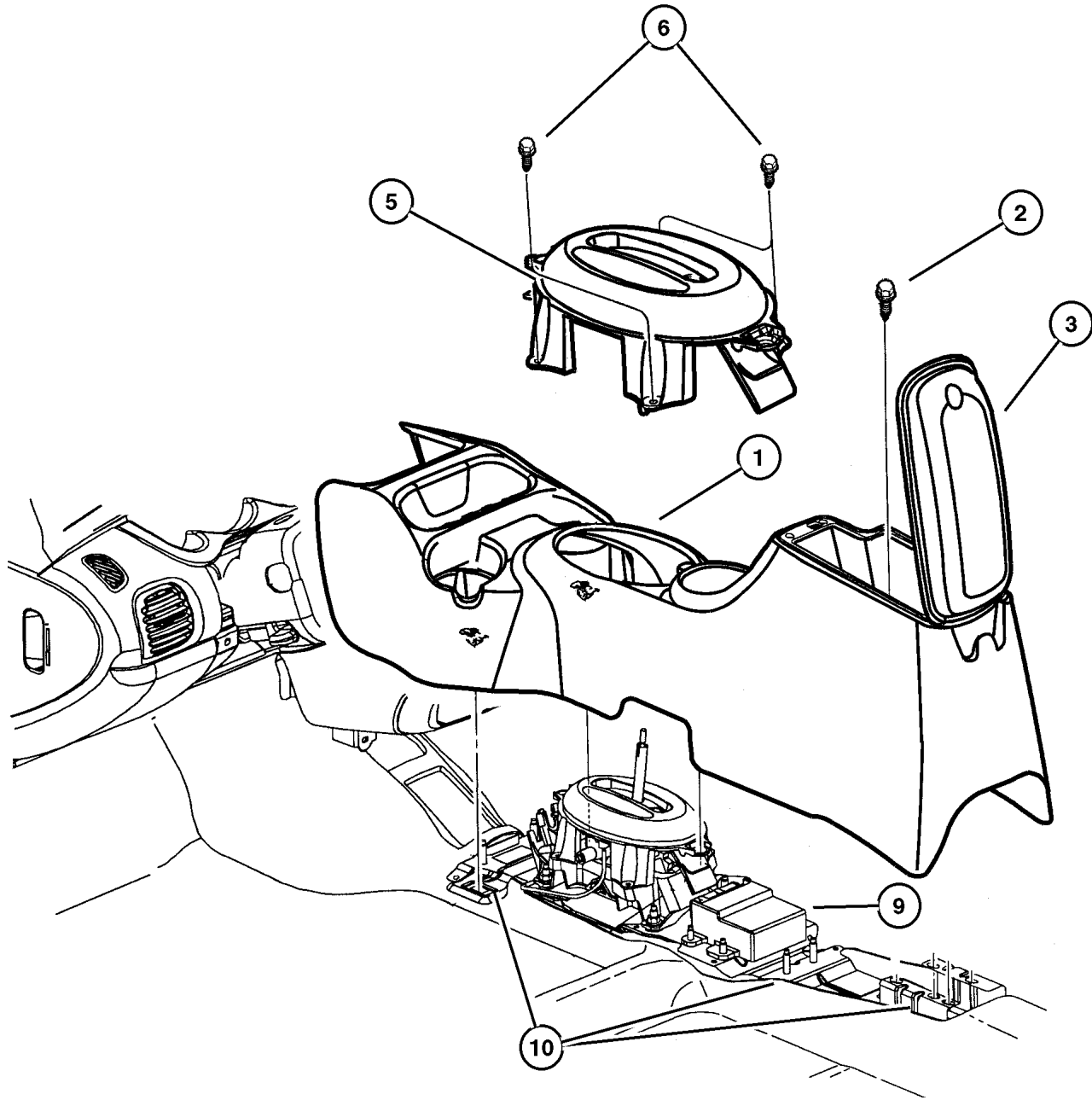
AR = Use as required - = Non illustrated part # = New this model year

April 9, 2002



Console-Floor
Figure 08A-405

ITEM	PART NUMBER	QTY	LINE	BODY	DESCRIPTION
Note: (WV43 --- These go by vehicle exterior paint code.)					
1					BASE, Floor Console
	RZ92 1DVAC	1	D, Z		[DV]
	RZ92 1L5AC	1	D, Z		[L5]
2	6032 723	2			SCREW, Self Tapping, M4.2x1.69x19.05
3					ARMREST, Console
	RZ75 1DVAB	1			[DV]
	RZ75 1L5AB	1			[L5]
	SL47 1DVAC	1			[DV] With LX Decor
	SL47 1L5AC	1			[L5] With LX Decor
-4	4665 361	2			BUMPER, Armrest Lid
5					BEZEL, Console PRNDL
	TP26 LAZAA	1	C, D		[DV]
	TP26 WL5AA	1	C, D		[L5]
	TP30 AAAA	1	C, D		Woodgrain
	#WK42 WL5AA	1			[L5]
	#WK42 XDVAA	1			[DV]
	#4671 827AA	1			Black
	#TR38 LAZAB	1	C, D		[DV] Auto Stick
	#TR38 WL5AB	1	C, D		[L5] Auto Stick
	#TR39 LAZAB	1	Z		[DV] Auto Stick
	#TR39 WL5AB	1	Z		[L5] Auto Stick
	#TR40 AAAAB	1	C, D		Woodgrain, Auto Stick
	#TR41 AAAAB	1	Z		Woodgrain, Auto Stick
	#WV43 PR4AB	1			[R4] (Note)
	#WV43 VYHAB	1			[YH] (Note)
	#WV43 ZBJAB	1			[BJ] (Note)
6	0154 844	2			SCREW, Tapping, M5x1.81x15
-7	L000 0194	1			BULB, 194
-8	4595 823AB	1			SMOKERS KIT, Ash Receiver With Lighter
9	4671 774AB	1			MODULE, Air Bag Control
10	4783 733AE	1			BRACKET, Floor Console



DODGE - CHRYSLER NEON (PL)

SERIES	LINE	BODY	ENGINE	TRANSMISSION
L=Low Line	Z= Chrysler, RHD	41 = 4 Door,	ECB = 2.0L 4 Cyl. , 16V SMPI	DD5 = 5 Speed Manual
H=High Line	D= Dodge	104WB	ECH = 2.0L 4 Cyl, 16V SOHC	DGL = 4 Speed Automatic
S = Special	C= Chrysler		EJD, EJ0 = 1.6L 4 Cyl 16v, SOHC	DG0 = All Automatics
P = Premium				DBB = All 5 Speed Manual
X = R/T				

AR = Use as required - = Non illustrated part # = New this model year

April 9, 2002

Group – 009

Engine Mounting

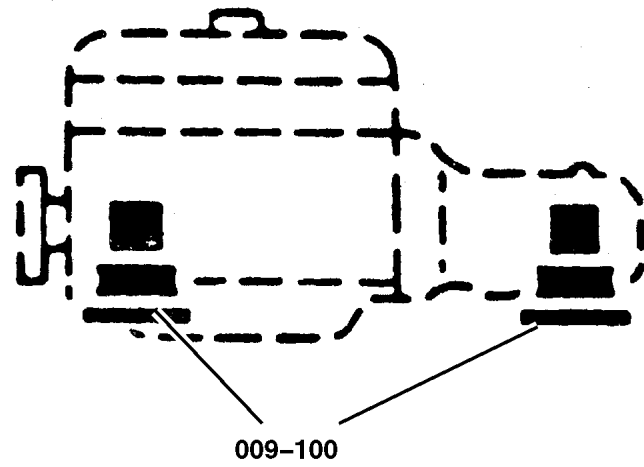
GROUP 9 - Engine Mounting

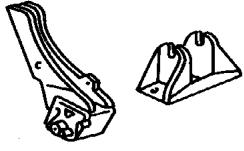
Illustration Title

Group-Fig. No.

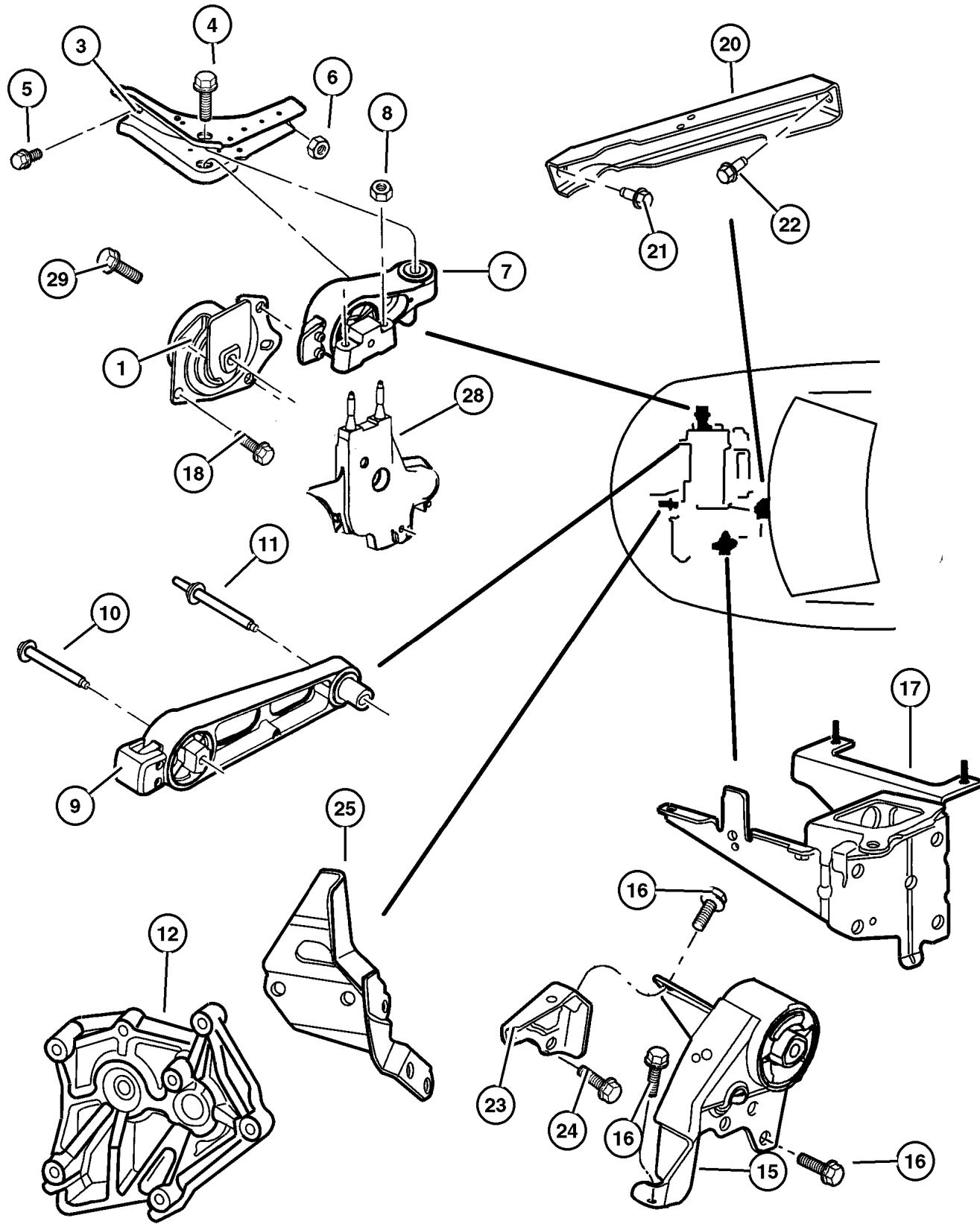
Engine Mounting

Engine Mounts Fig. 009-110



<p>009-100 Engine Mounting</p> 			
--	--	--	--

Engine Mounts Figure 009-110



ITEM	PART NUMBER	QTY	LINE	ENGINE	TRANS	DESCRIPTION
NOTES: Sales Codes						
[DD5] = 5 Speed Manual Transmission						
[DGL] = 4 Speed Automatic Transmission 41TE						
[ECB] = 2.0L 4 Cylinder SOHC 16V SMPI Engine						
[ECH] = 2.0L 4 Cylinder SOHC 16V Hi Performance Engine						
[EJD] = 1.6L 4 Cylinder SOHC 16V SMPI Engine						
1	4668 192AC	1		ECB, ECH, ECH	EJD	SUPPORT, Engine Mount, Right
-2	4668 270AB	1		ECB, ECH		COLLAR, Structural, Oil Pan To Transmission
3	4668 194AB	1		ECB, ECH		BRACKET, Torque Reaction
4	6506 715AA	1				BOLT
5	6101 099	1				BOLT
6	6501 247	1				NUT, M12x1.75
7						ISOLATOR, Engine Mount
	4668 193AD	1			DGL	Upper, Automatic Transmission
	4668 346AE	1			DD5	Upper, Manual Transmission
8	6502 696	2				NUT, Hex Flange Lock, M10x1.5
9						ISOLATOR, Transmission Mount
	4668 195AC	1		ECB, ECH	DGL	
	4668 347AD	1		ECB, ECH	DD5	
10	6506 067AA	1				BOLT
11	6505 658AA	1				STUD
12	4668 459AB	1		EJD		BRACKET, Torque Reaction
-13	6101 512	4		ECB, ECH		SCREW AND WASHER, Hex Head, M10x1.5x45
-14	6101 864	1		ECB, ECH		SCREW, M10x1.5x35
15	4668 530AB	1		ECB, ECH, ECH	EJD DD5	SUPPORT, Engine Mount
16	6506 019AA	2			DGL	BOLT AND WASHER, Hex Head, M10x1.5x30
17	4668 626AC	1		ECB	DGL	SUPPORT, Engine Mount
18						BOLT
	6102 067AA	4				
	6506 067AA	1				
-19	6101 445	1				NUT AND WASHER, Hex Nut-Coned Washer, M8 x 1.25
20						STRUT, Engine

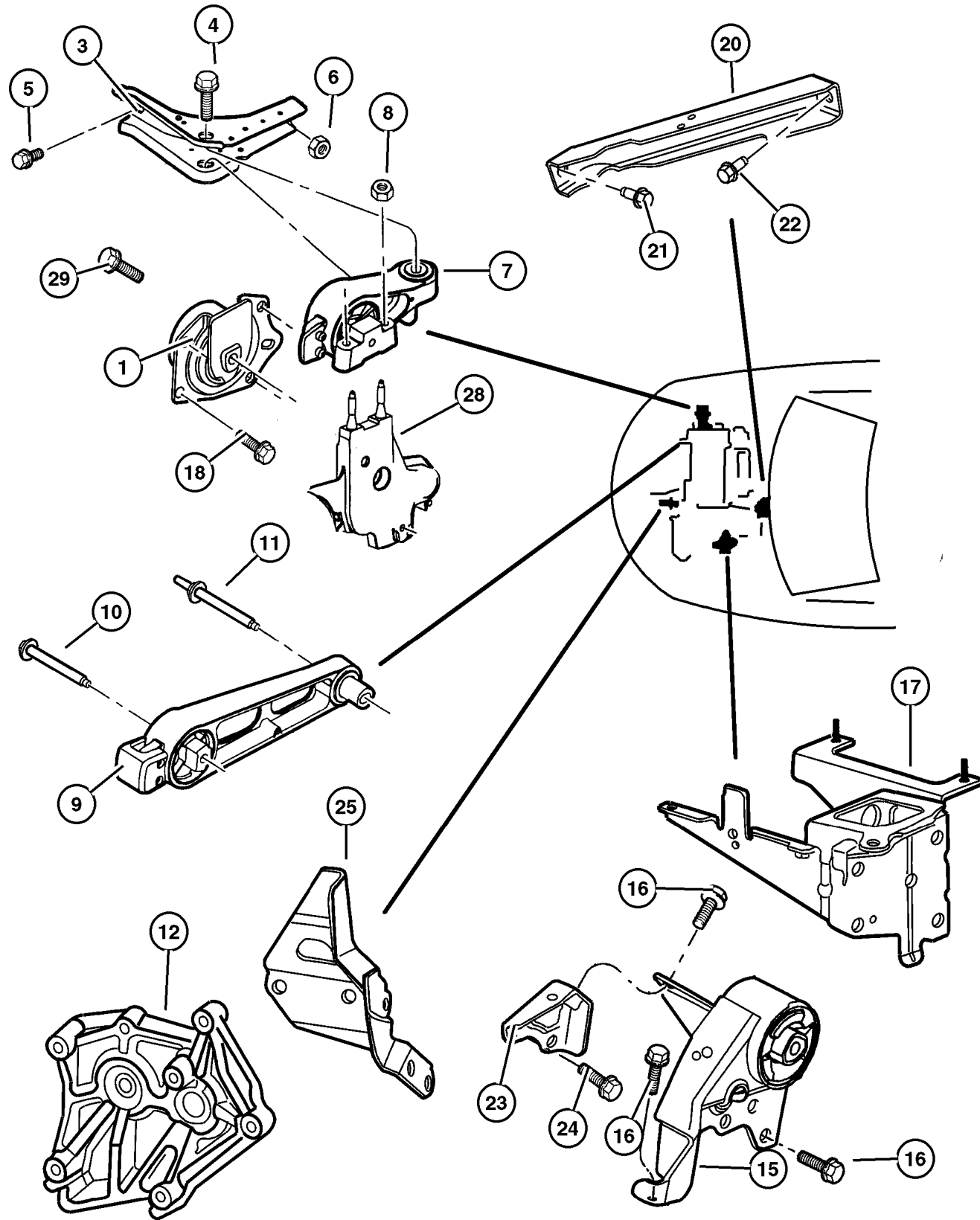
DODGE - CHRYSLER NEON (PL)

SERIES	LINE	BODY	ENGINE	TRANSMISSION
L=Low Line	Z= Chrysler, RHD	41 = 4 Door, 104WB	ECB = 2.0L 4 Cyl. , 16V SMPI	DD5 = 5 Speed Manual
H=High Line	D= Dodge		ECH = 2.0L 4 Cyl, 16V SOHC	DGL = 4 Speed Automatic
S = Special	C= Chrysler		EJD, EJO = 1.6L 4 Cyl 16v, SOHC	DG0 = All Automatics
P = Premium				DBB = All 5 Speed Manual
X = R/T				

AR = Use as required - = Non illustrated part # = New this model year

April 9, 2002

Engine Mounts Figure 009-110



ITEM	PART NUMBER	QTY	LINE	ENGINE	TRANS	DESCRIPTION
	4668 118AC	1		ECB, ECH	DGL	
	4668 176AC	1		ECB, ECH	DD5	
21	6505 282AA	1		ECB	DGL	BOLT
22	6505 583AA	2		ECB, ECH	DGL	[DGL] Automatic Transmission
	6505 283AA	2		ECB, ECH	DD5	[DD5] Manual Transmission
23	4668 540AA	1			DGL	BRACKET, Transmission Mount
24	6506 019AA	2			DGL	BOLT AND WASHER, Hex Head, M10x1.5x30
25						STRUT, Engine
	4668 633AA	1		ECH	DD5	
	4668 363AA	1		ECB	DD5, DGL	
-26	6101 503	1		ECB, ECH	DD5, DGL	SCREW AND WASHER, Hex Head, M10x1.5x25
-27	6502 887	1			DD5	SCREW AND WASHER, Hex Head, M12x1.75x60
28	4668 364AC	1		ECB		TENSIONER AND BRACKET, Engine Mount
		1		ECH		
29	6505 148AA	1				SCREW, M12-1.75x80

DODGE - CHRYSLER NEON (PL)

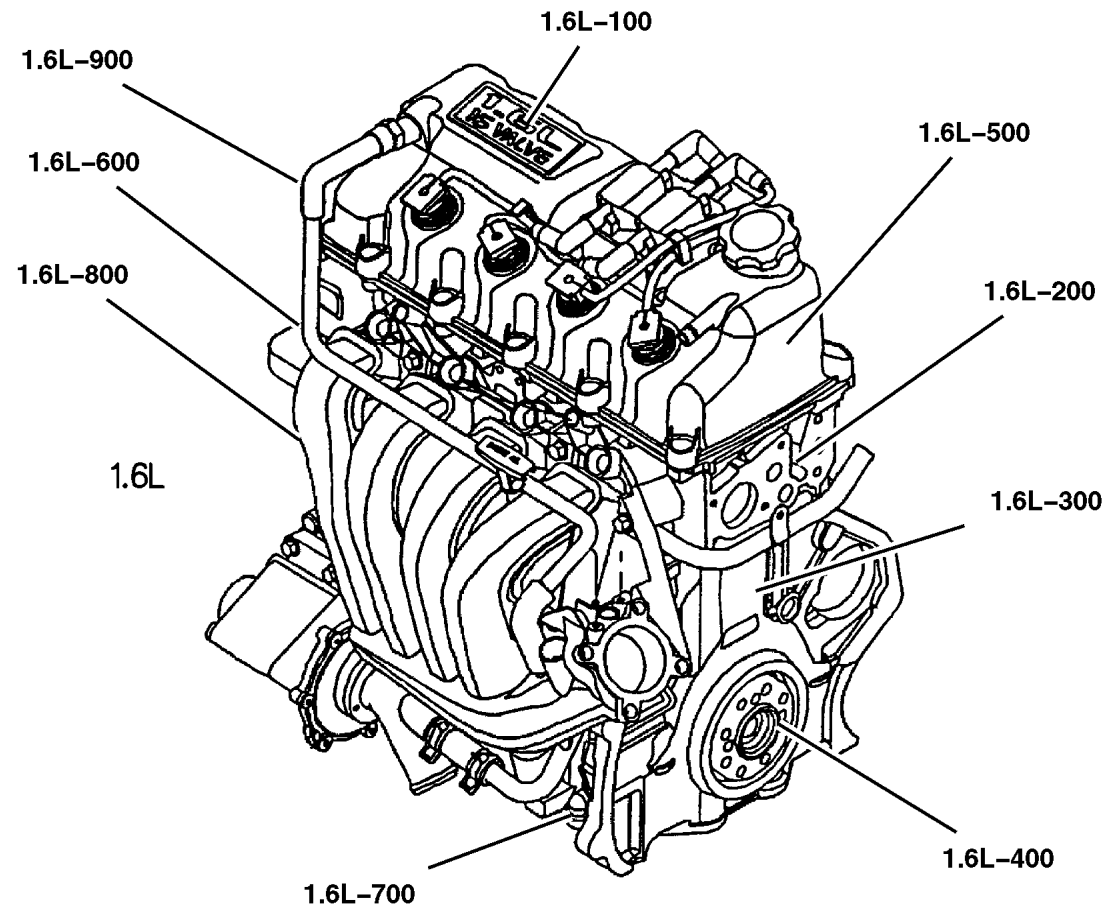
SERIES	LINE	BODY	ENGINE	TRANSMISSION
L=Low Line	Z= Chrysler, RHD	41 = 4 Door, 104WB	ECB = 2.0L 4 Cyl. , 16V SMPI	DD5 = 5 Speed Manual
H=High Line	D= Dodge		ECH = 2.0L 4 Cyl, 16V SOHC	DGL = 4 Speed Automatic
S = Special	C= Chrysler		EJD, EJO = 1.6L 4 Cyl 16v, SOHC	DG0 = All Automatics
P = Premium				DBB = All 5 Speed Manual
X = R/T				

AR = Use as required - = Non illustrated part # = New this model year

April 9, 2002

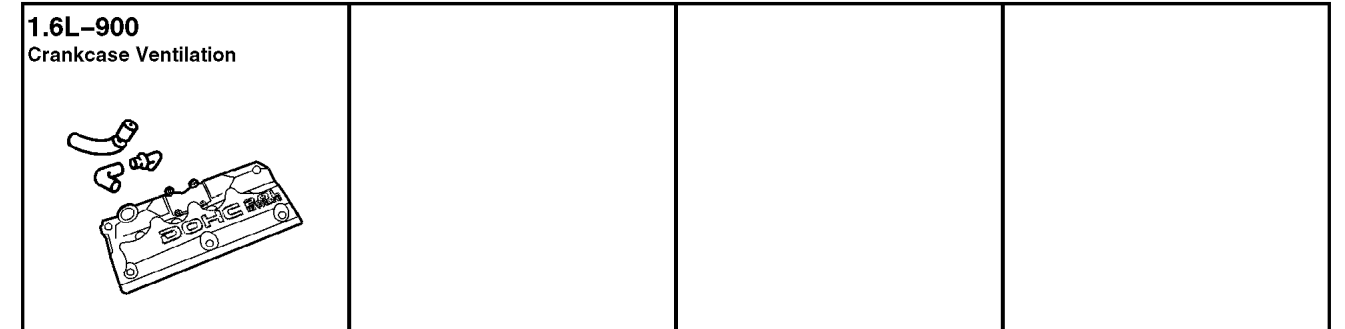
Group – 1.6L

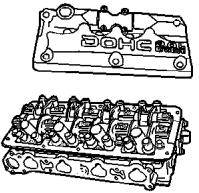
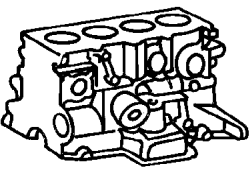
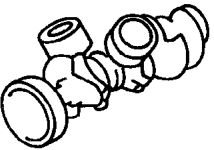
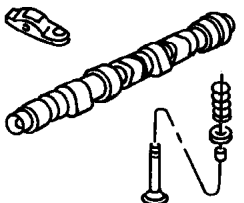
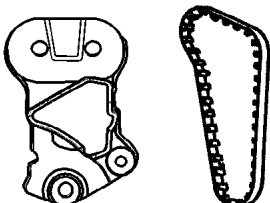
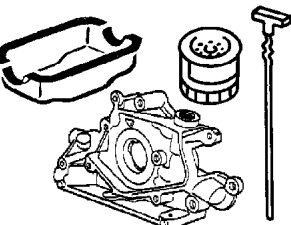
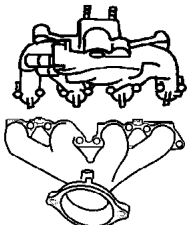
Engine 1.6L Four Cylinder



Group – 1.6L

Engine 1.6L Four Cylinder



<p>1.6L-100 Engine Identification</p> <table border="1"> <tr> <td>X Model Year</td> <td>X Manufacturing Plant</td> <td>XXXXX Component Code/Usage</td> <td>XXXX Month/Day</td> <td>XXXXXXXXXX Serial Code</td> </tr> <tr> <td>Last digit of model year</td> <td>Satiko S Tronton T Tokoo K</td> <td>Engine</td> <td></td> <td>Last 8 Digits of VIN</td> </tr> </table>	X Model Year	X Manufacturing Plant	XXXXX Component Code/Usage	XXXX Month/Day	XXXXXXXXXX Serial Code	Last digit of model year	Satiko S Tronton T Tokoo K	Engine		Last 8 Digits of VIN	<p>1.6L-200 Cylinder Head</p> 	<p>1.6L-300 Cylinder Block</p> 	<p>1.6L-400 Crankshaft, Piston and Drive Plate</p> 
X Model Year	X Manufacturing Plant	XXXXX Component Code/Usage	XXXX Month/Day	XXXXXXXXXX Serial Code									
Last digit of model year	Satiko S Tronton T Tokoo K	Engine		Last 8 Digits of VIN									
<p>1.6L-500 Camshafts & Valve</p> 	<p>1.6L-600 Timing Belt/Chain and Cover</p> 	<p>1.6L-700 Engine Oiling</p> 	<p>1.6L-800 Manifolds</p> 										

GROUP 1.6L - Engine 1.6L Four Cylinder

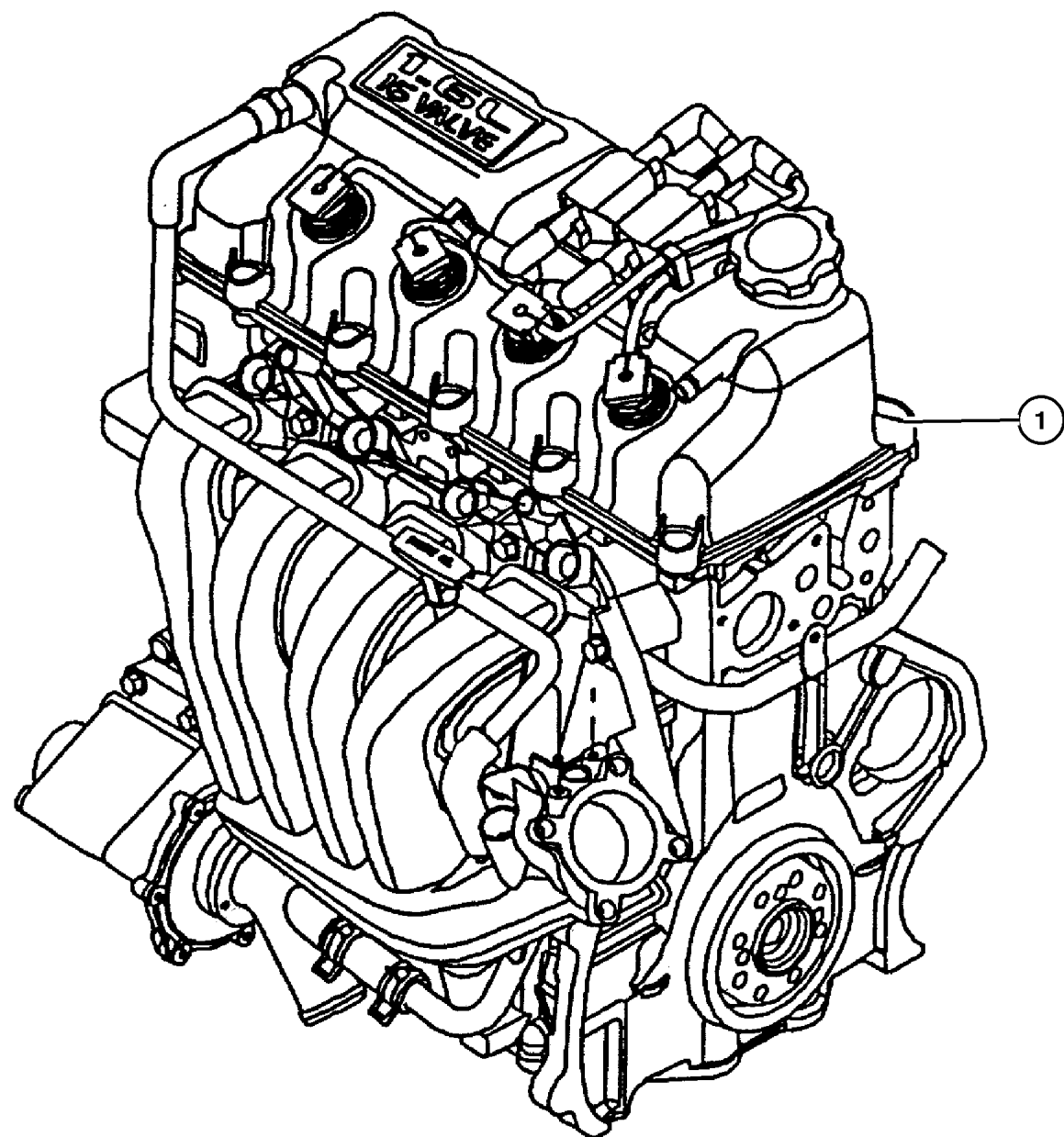
Illustration Title	Group-Fig. No.
Engine Identification	
I.D. Location 1.6L [EJD]	Fig. 1.6L-116
Cylinder Head	
Cylinder Head 1.6L [EJD]	Fig. 1.6L-216
Cylinder Block	
Cylinder Block 1.6L [EJD]	Fig. 1.6L-316
Crankshaft, Piston and Drive Plate	
Crankshaft, Piston, Driveplate 1.6L [EJD]	Fig. 1.6L-416
Camshafts & Valve	
Camshaft and Valves 1.6L [EJD]	Fig. 1.6L-516
Timing Belt/Chain and Cover	
Timing Chain and Cover 1.6L [EJD]	Fig. 1.6L-616
Engine Oiling	
Engine Oiling 1.6L [EJD]	Fig. 1.6L-716
Manifolds	
Manifolds 1.6L [EJD]	Fig. 1.6L-816
Crankcase Ventilation	
Crankcase Ventilation 1.6L [EJD]	Fig. 1.6L-916

I.D. Location 1.6L [EJD]
Figure 1.6L-116

ITEM	PART NUMBER	QTY	LINE	ENGINE	TRANS	DESCRIPTION
------	-------------	-----	------	--------	-------	-------------

Engine ID is located on the left bank at the rear of the block just below the head.

1						LABEL, Engine Identification, (NOT SERVICED)
---	--	--	--	--	--	--



DODGE - CHRYSLER NEON (PL)				
SERIES	LINE	BODY	ENGINE	TRANSMISSION
L=Low Line	Z= Chrysler, RHD	41 = 4 Door,	ECB = 2.0L 4 Cyl. , 16V SMPI	DD5 = 5 Speed Manual
H=High Line	D= Dodge	104WB	ECH = 2.0L 4 Cyl, 16V SOHC	DGL = 4 Speed Automatic
S = Special	C= Chrysler		EJD, EJ0 = 1.6L 4 Cyl 16v, SOHC	DG0 = All Automatics
P = Premium				DBB = All 5 Speed Manual
X = R/T				

AR = Use as required - = Non illustrated part # = New this model year

April 9, 2002

**Cylinder Head 1.6L [EJD]
Figure 1.6L-216**

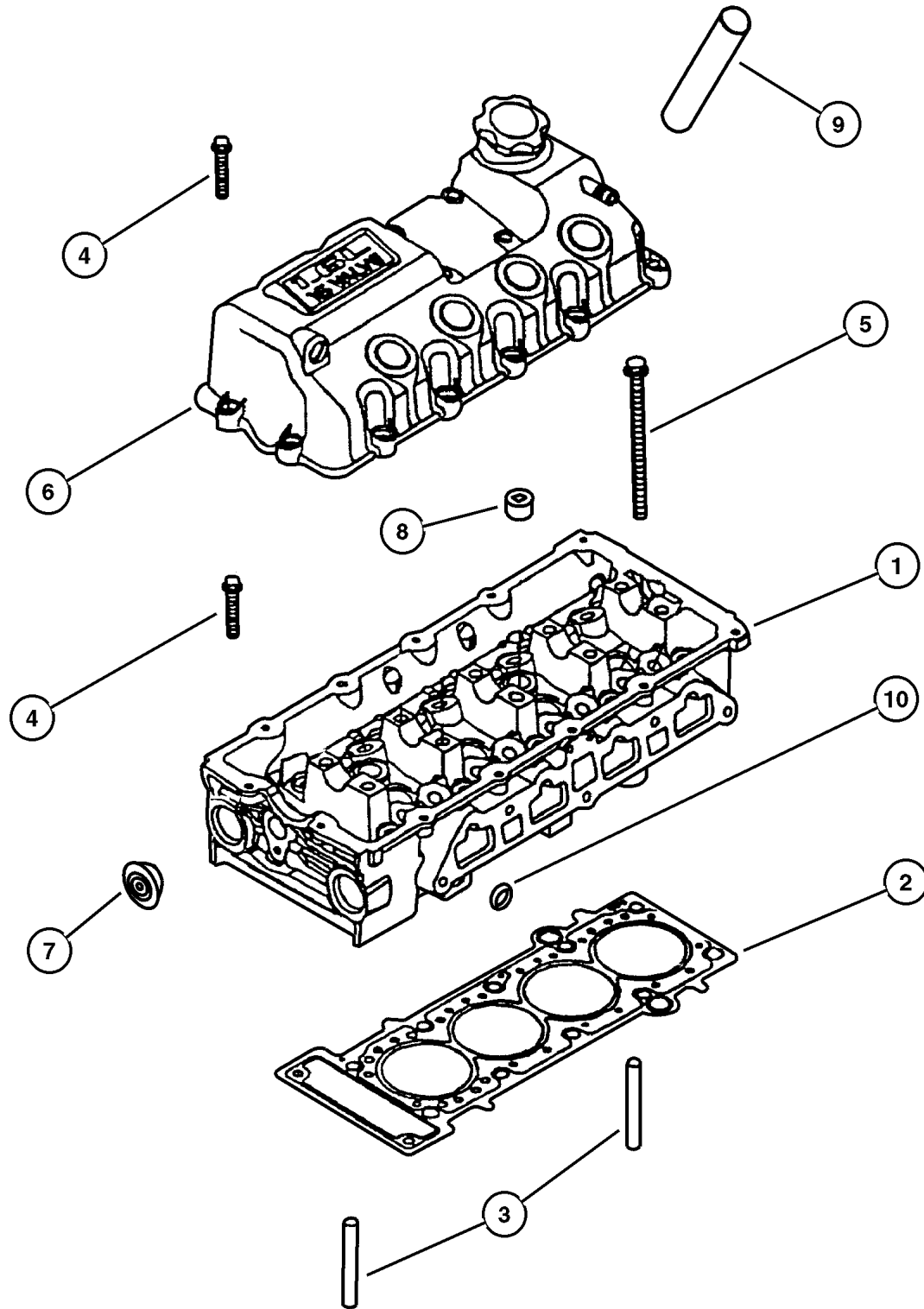
ITEM	PART NUMBER	QTY	LINE	ENGINE	TRANS	DESCRIPTION
------	-------------	-----	------	--------	-------	-------------

NOTE: Sales Code

[DGL] = 4 Speed Automatic Transmission, 41TE

[EJD] = 1.6L 4 Cylinder SOHC 16V SMPI Engine

1	4777 739AB	1		EJD	DGL	HEAD, Cylinder
2	4693 083AA	1		EJD	DGL	GASKET, Cylinder Head
3	53010 533AA	2		EJD	DGL	DOWEL
4	6101 940	2		EJD	DGL	SCREW
5	6505 239AA	10		EJD	DGL	BOLT, Cylinder Head
6	4777 796AD	1		EJD	DGL	COVER, Cylinder Head
7	4693 124AA	2		EJD	DGL	PLUG
8						PLUG, Core, 3/4 , (NOT SERVICED)
9	4777 794AA	4		EJD	DGL	TUBE, Spark Plug
10	6036 346AA	2		EJD	DGL	PLUG, Pipe



DODGE - CHRYSLER NEON (PL)

SERIES	LINE	BODY	ENGINE	TRANSMISSION
L=Low Line	Z= Chrysler, RHD	41 = 4 Door,	ECB = 2.0L 4 Cyl. , 16V SMPI	DD5 = 5 Speed Manual
H=High Line	D= Dodge	104WB	ECH = 2.0L 4 Cyl, 16V SOHC	DGL = 4 Speed Automatic
S = Special	C= Chrysler		EJD, EJ0 = 1.6L 4 Cyl 16v, SOHC	DG0 = All Automatics
P = Premium				DBB = All 5 Speed Manual
X = R/T				

AR = Use as required - = Non illustrated part # = New this model year

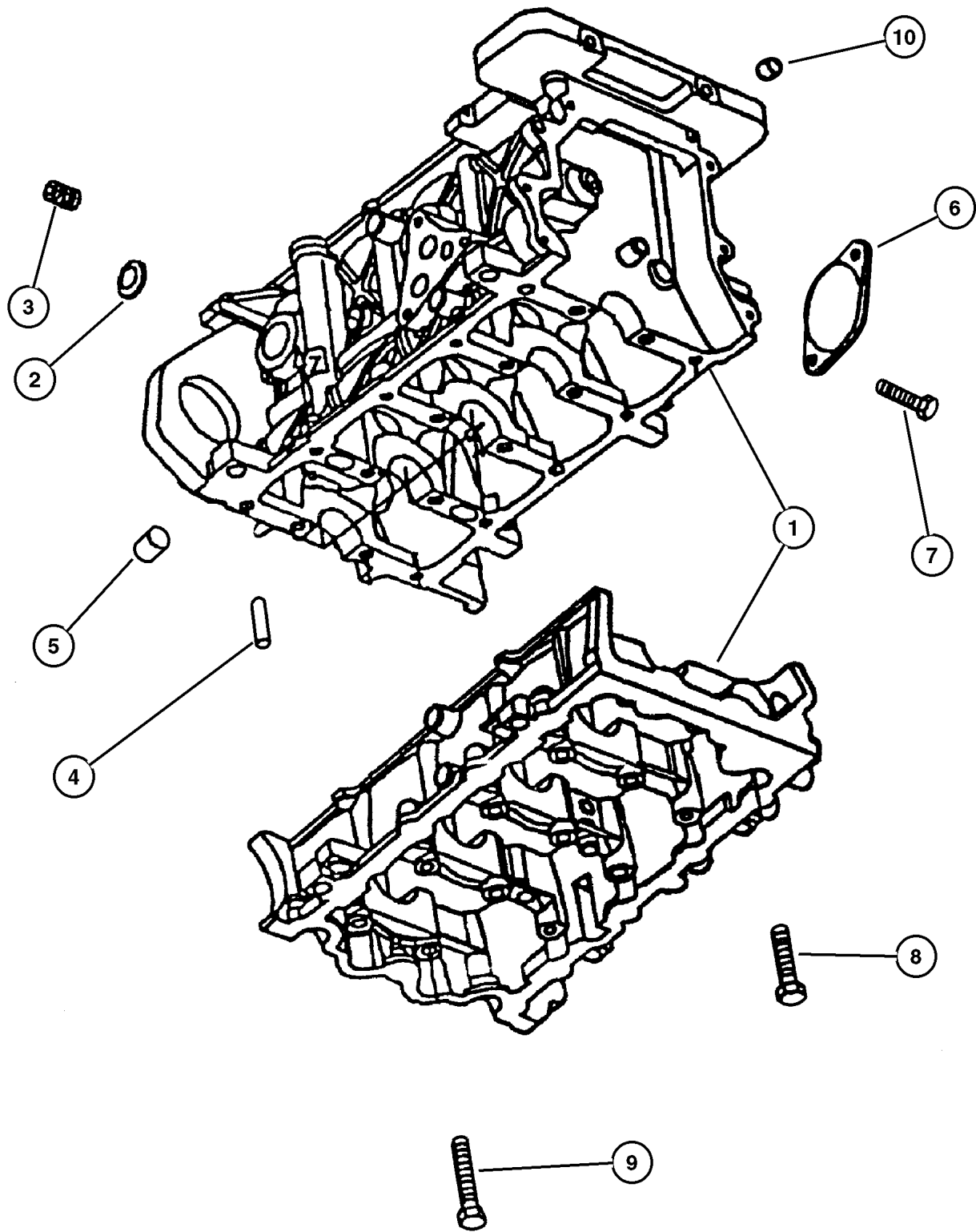
April 9, 2002

**Cylinder Block 1.6L [EJD]
Figure 1.6L-316**

ITEM	PART NUMBER	QTY	LINE	ENGINE	TRANS	DESCRIPTION
------	-------------	-----	------	--------	-------	-------------

NOTE: Sales Code
 [DD5] = 5 Speed Manual Transmission
 [DGL] = 4 Speed Automatic Transmission, 41TE
 [EJD] = 1.6L 4 Cylinder SOHC 16V SMPI Engine

1	5066 416AB	1		EJD	DGL	BLOCK, Short
2	6034 804	2		EJD	DD5	PLUG, Core, 1.39 Diameter
3						PLUG, Pipe, .250-18x.560, (NOT SERVICED)
4	4694 106	3		EJD	DGL	DOWEL, Engine Block To Bedplate
5	4556 018	2		EJD	DGL	PLUG, Cylinder Block Oil Hole
6	4693 156AA	1		EJD	DGL	PLATE, Cylinder Block Core Hole
7	6501 714	1			DD5	SCREW AND WASHER, Hex Head, M6x1x18
8	6505 763AA	7		EJD	DGL	BOLT
9	6100 945	10		EJD	DGL	BOLT, Hex Head, M10x1.50x75
10	4556 018	2		EJD	DGL	PLUG, Cylinder Block Oil Hole

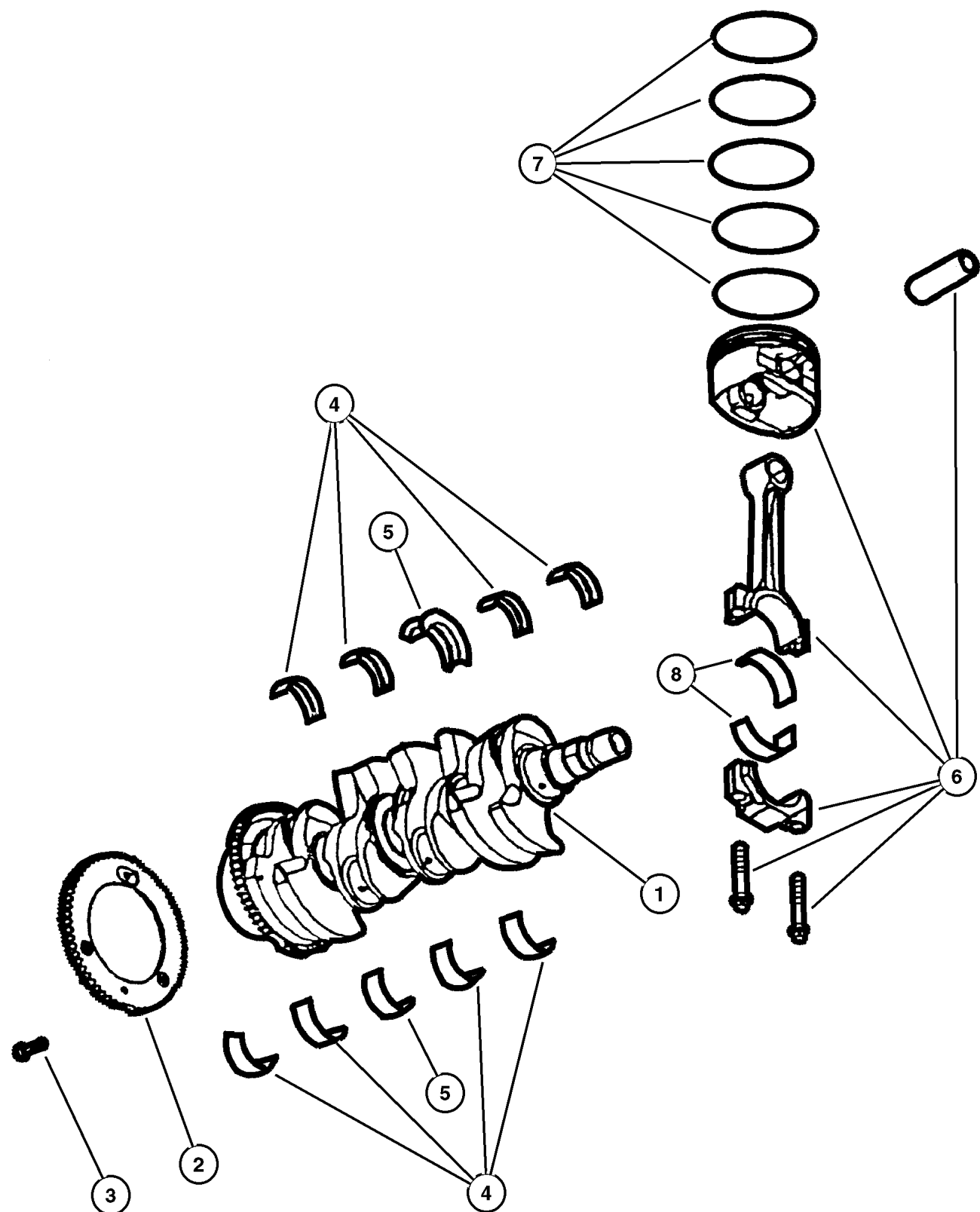


DODGE - CHRYSLER NEON (PL)				
SERIES	LINE	BODY	ENGINE	TRANSMISSION
L=Low Line	Z= Chrysler, RHD	41 = 4 Door,	ECB = 2.0L 4 Cyl. , 16V SMPI	DD5 = 5 Speed Manual
H=High Line	D= Dodge	104WB	ECH = 2.0L 4 Cyl, 16V SOHC	DGL = 4 Speed Automatic
S = Special	C= Chrysler		EJD, EJ0 = 1.6L 4 Cyl 16v, SOHC	DG0 = All Automatics
P = Premium				DBB = All 5 Speed Manual
X = R/T				

AR = Use as required - = Non illustrated part # = New this model year

April 9, 2002

**Crankshaft, Piston, Driveplate 1.6L [EJD]
Figure 1.6L-416**



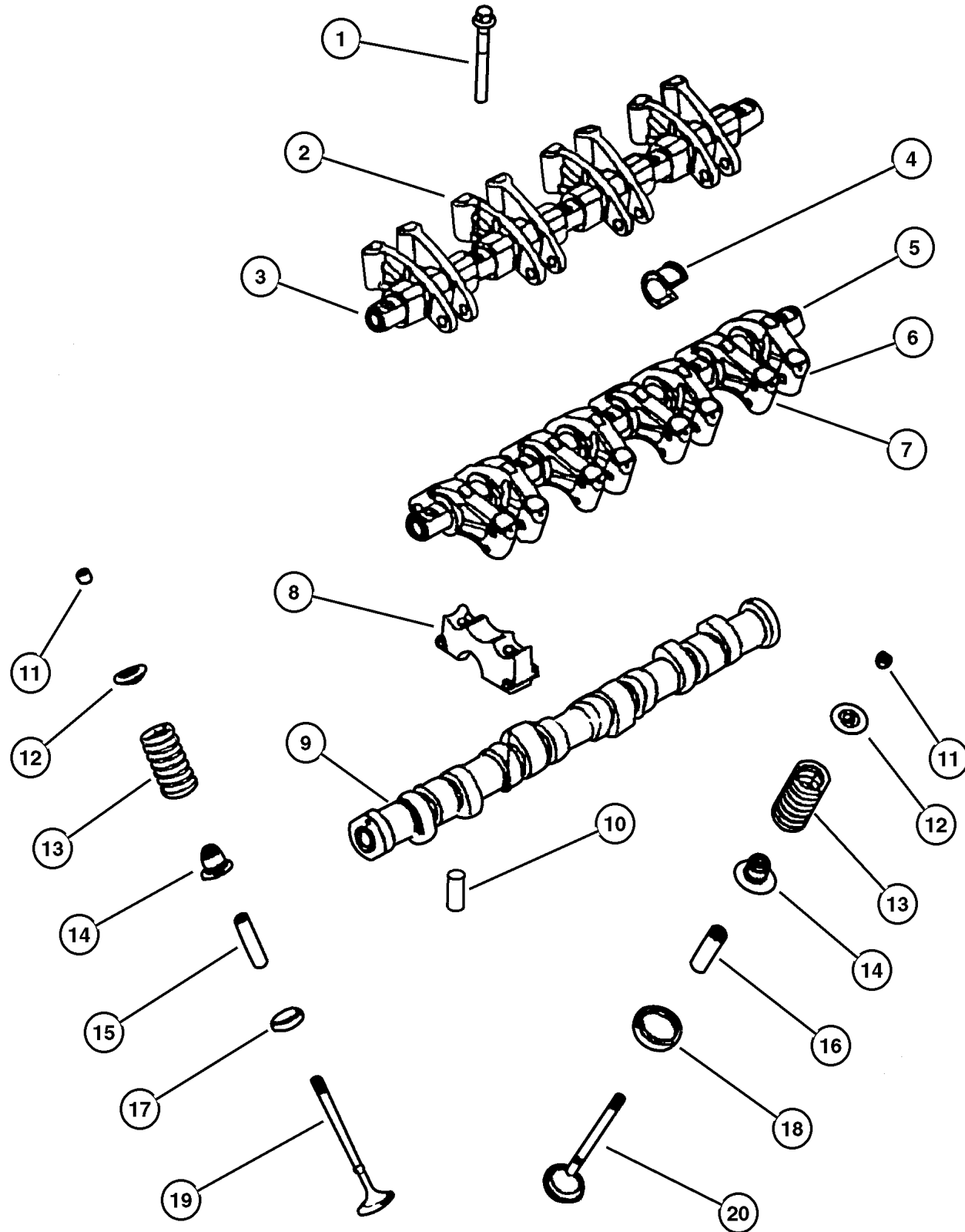
ITEM	PART NUMBER	QTY	LINE	ENGINE	TRANS	DESCRIPTION
NOTE: Sales Code						
[DD5] = 5 Speed Manual Transmission						
[DGL] = 4 Speed Automatic Transmission, 41TE						
[EJD] = 1.6L 4 Cylinder SOHC 16V SMPI Engine						
1	4777 864AD	1		EJD	DGL	CRANKSHAFT
2	4777 685AB	1		EJD	DGL	DISC, Crankshaft Position Indicator
3	6505 673AA	3		EJD	DGL	SCREW
4	5015 902AA	AR		EJD	DD5	BEARING PACKAGE, Crankshaft, Standard
5	5015 906AB	1		EJD	DD5	BEARING PACKAGE, Crankshaft Thrust, STD.
6	5019 831AC	4		EJD	DD5	PISTON PIN AND ROD
7	5019 834AA	1		EJD	DD5	RING PACKAGE, Piston
8	5015 910AA	AR		EJD	DD5	BEARING PACKAGE, Connecting Rod, Standard

DODGE - CHRYSLER NEON (PL)				
SERIES	LINE	BODY	ENGINE	TRANSMISSION
L=Low Line	Z= Chrysler, RHD	41 = 4 Door,	ECB = 2.0L 4 Cyl. , 16V SMPI	DD5 = 5 Speed Manual
H=High Line	D= Dodge	104WB	ECH = 2.0L 4 Cyl, 16V SOHC	DGL = 4 Speed Automatic
S = Special	C= Chrysler		EJD, EJ0 = 1.6L 4 Cyl 16v, SOHC	DG0 = All Automatics
P = Premium				DBB = All 5 Speed Manual
X = R/T				

AR = Use as required - = Non illustrated part # = New this model year

April 9, 2002

**Camshaft and Valves 1.6L [EJD]
Figure 1.6L-516**



ITEM	PART NUMBER	QTY	LINE	ENGINE	TRANS	DESCRIPTION
------	-------------	-----	------	--------	-------	-------------

NOTE: Sales Code

[DD5] = 5 Speed Manual Transmission

[DGL] = 4 Speed Automatic Transmission, 41TE

[EJD] = 1.6L 4 Cylinder SOHC 16V SMPI Engine

1	6501 689	10		EJD	DGL	BOLT, Hex Flange Head, M8x1.25x65
2	4777 787AC	4		EJD	DGL	ROCKER ARM, Exhaust
3	4777 785AA	1		EJD	DGL	SHAFT, Rocker Arm
4	4777 783AA	4		EJD	DGL	SPACER, Rocker Shaft
5	4777 776AA	1		EJD	DD5	SHAFT, Rocker Arm
6	4777 778AA	4		EJD	DGL	ROCKER ARM, Intake
7	4777 879AA	4		EJD	DGL	ROCKER ARM, Intake
8						CAP, Rocker Shaft, Serviced in Cyl Head, (NOT SERVICED)
9	4693 122AA	1		EJD	DGL	CAMSHAFT
10						DOWEL, Camshaft Retainer, Serviced in Cyl Head, (NOT SERVICED)
11	4777 050AC	32		EJD	DGL	LOCK, Valve Spring Retainer
12	4777 774AA	16		EJD	DGL	RETAINER, Valve Spring
13	4777 773AA	16		EJD	DD5	SPRING, Valve
14	4663 904	16		EJD	DGL	SEAL, Valve Guide
15						GUIDE, Exhaust Valve, 0.05mm Oversize, Serviced in Cyl Head, (NOT SERVICED)
16						GUIDE, Intake Valve, 0.05mm Oversize, Serviced in Cyl Head, (NOT SERVICED)
17						SEAT, Exhaust Valve, Serviced in Cyl Head, (NOT SERVICED)
18						SEAT, Intake Valve, Serviced in Cyl Head, (NOT SERVICED)
19	4777 772AB	8		EJD	DD5	VALVE, Exhaust, Standard
20	4777 770AA	8		EJD	DD5	VALVE, Intake, Standard

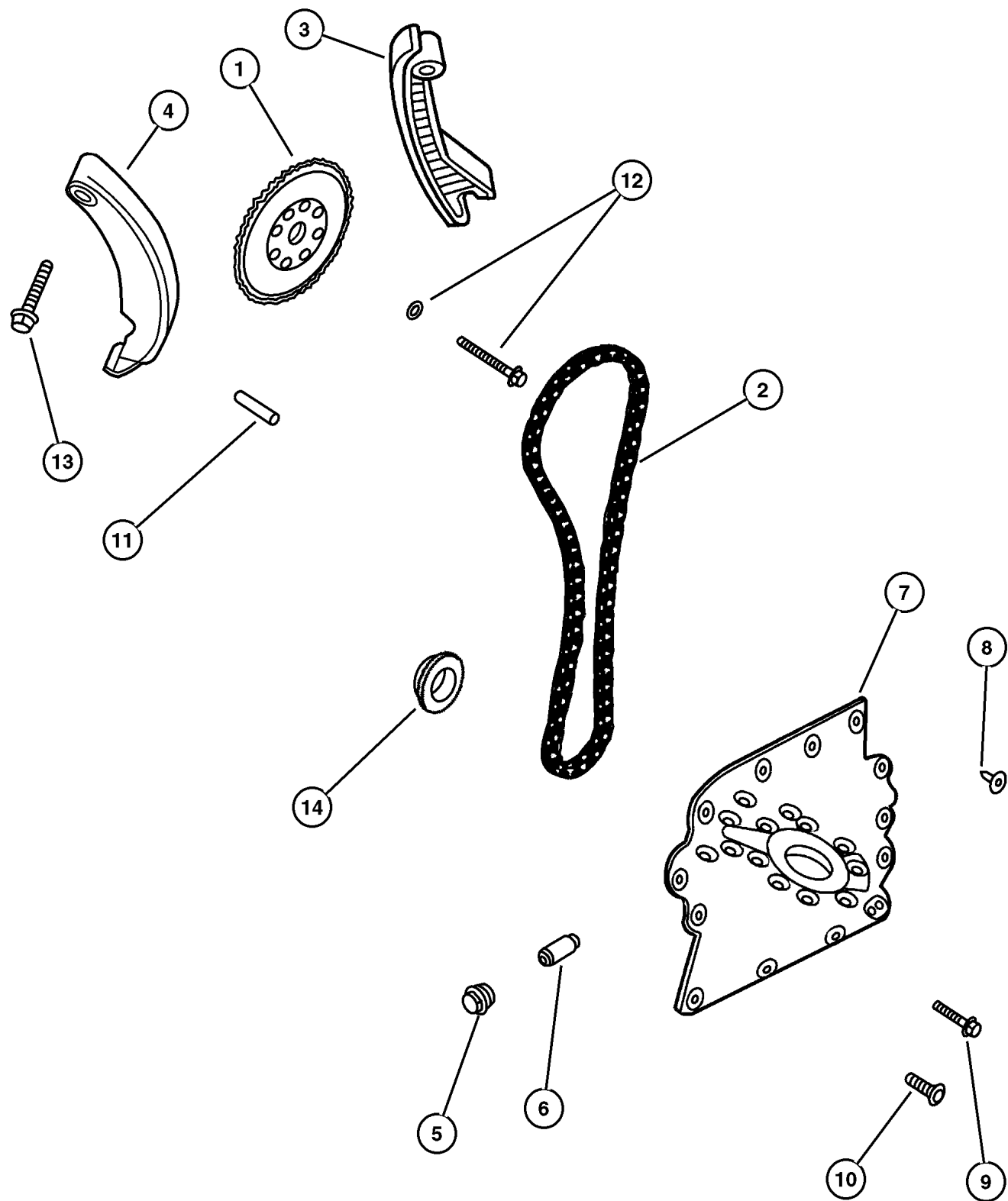
DODGE - CHRYSLER NEON (PL)

SERIES	LINE	BODY	ENGINE	TRANSMISSION
L=Low Line	Z= Chrysler, RHD	41 = 4 Door,	ECB = 2.0L 4 Cyl. , 16V SMPI	DD5 = 5 Speed Manual
H=High Line	D= Dodge	104WB	ECH = 2.0L 4 Cyl, 16V SOHC	DGL = 4 Speed Automatic
S = Special	C= Chrysler		EJD, EJO = 1.6L 4 Cyl 16v, SOHC	DG0 = All Automatics
P = Premium				DBB = All 5 Speed Manual
X = R/T				

AR = Use as required - = Non illustrated part # = New this model year

April 9, 2002

Timing Chain and Cover 1.6L [EJD] Figure 1.6L-616



ITEM	PART NUMBER	QTY	LINE	ENGINE	TRANS	DESCRIPTION
NOTE: Sales Code						
[DD5] = 5 Speed Manual Transmission						
[DGL] = 4 Speed Automatic Transmission, 41TE						
[EJD] = 1.6L 4 Cylinder SOHC 16V SMPI Engine						
1	4777 736AA	1		EJD	DD5	SPROCKET, Camshaft
2	4777 699AA	1		EJD	DD5	CHAIN, Timing
3	4777 707AA	1		EJD	DGL	GUIDE, Timing Chain
4	4777 710AA	1		EJD	DGL	GUIDE, Timing Chain
5	4693 110AB	1		EJD	DGL	PLUG
6	4693 261AB	1		EJD	DGL	TENSIONER, Belt
7	4777 836AA	1		EJD	DGL	COVER, Timing Case
8	6505 690AA	1		EJD	DD5	SCREW
9	6102 001	8		EJD	DGL	BOLT AND WASHER, M6x12
10	6506 062AA	1		EJD	DGL	SCREW
11	6505 758AA	1		EJD	DD5	PIN
12	6506 197AA	1		EJD	DD5	SCREW
13	6101 614	1		EJD		SCREW AND WASHER, Hex Head, M8x1.25x45
14	4777 694AA	1		EJD	DGL	SPROCKET, Crankshaft

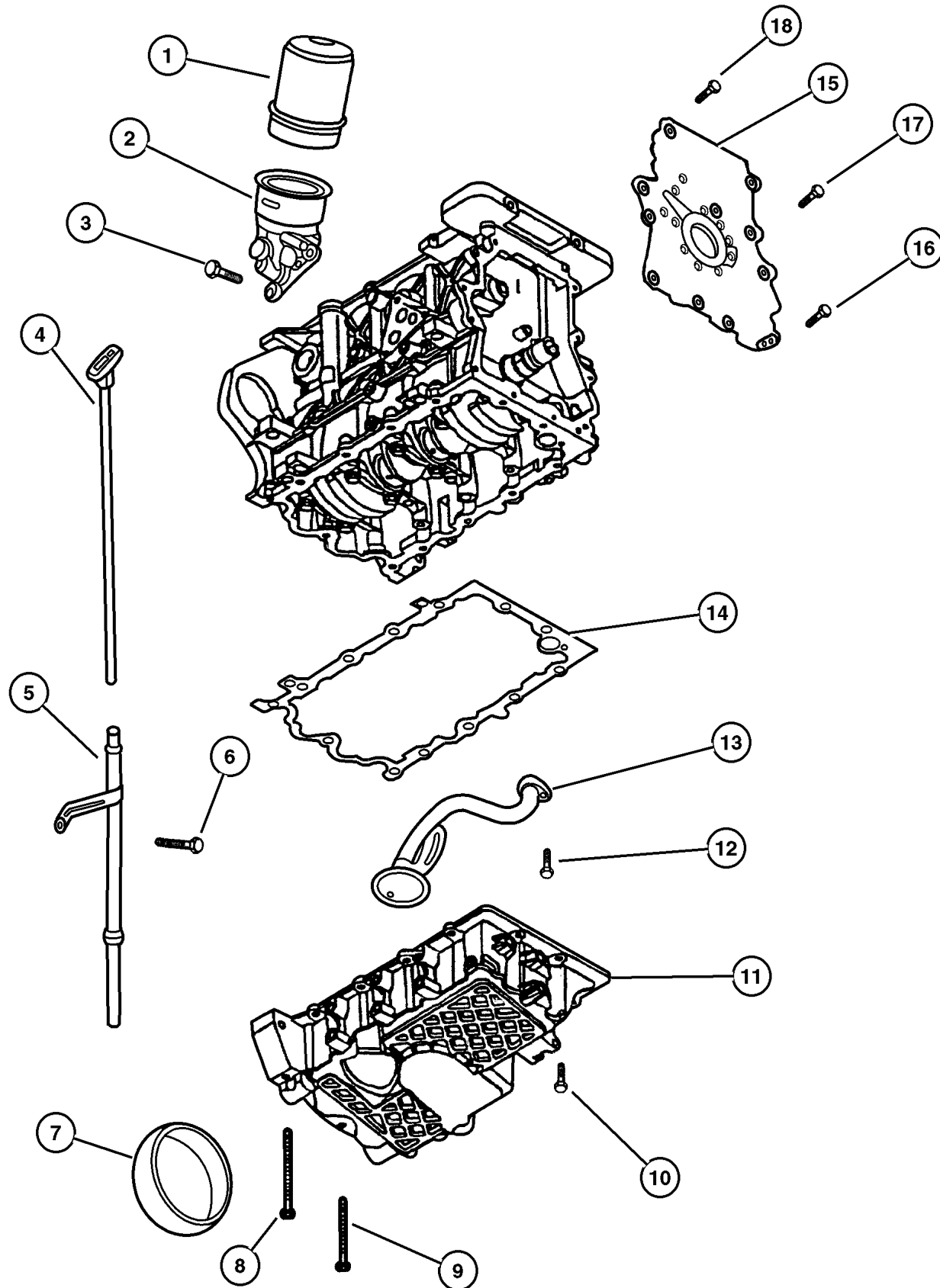
DODGE - CHRYSLER NEON (PL)

SERIES	LINE	BODY	ENGINE	TRANSMISSION
L=Low Line	Z= Chrysler, RHD	41 = 4 Door,	ECB = 2.0L 4 Cyl. , 16V SMPI	DD5 = 5 Speed Manual
H=High Line	D= Dodge	104WB	ECH = 2.0L 4 Cyl, 16V SOHC	DGL = 4 Speed Automatic
S = Special	C= Chrysler		EJD, EJO = 1.6L 4 Cyl 16v, SOHC	DG0 = All Automatics
P = Premium				DBB = All 5 Speed Manual
X = R/T				

AR = Use as required - = Non illustrated part # = New this model year

April 9, 2002

**Engine Oiling 1.6L [EJD]
Figure 1.6L-716**



ITEM	PART NUMBER	QTY	LINE	ENGINE	TRANS	DESCRIPTION
NOTE: Sales Code						
[DD5] = 5 Speed Manual Transmission						
[DGL] = 4 Speed Automatic Transmission, 41TE						
[EJD] = 1.6L 4 Cylinder SOHC 16V SMPI Engine						
1	4693 140AA	1		EJD	DGL	CAP, Oil Filter Adapter
2	4777 667AA	1		EJD	DGL	ADAPTER, Oil Filter
3	6101 611	3		EJD	DGL	SCREW AND WASHER, Hex Head, M8x1.25x25
4	4777 856AB	1		EJD	DGL	INDICATOR, Engine Oil Level
5	4777 855AA	1		EJD	DD5	TUBE, Engine Oil Indicator
6	6101 496	1		EJD	DGL	SCREW
7	4621 939AB	1		EJD	DGL	SEAL, Rear Main Crankshaft
8	6506 401AA	1		EJD	DGL	SCREW AND WASHER, Hex Head, M6 x 1.0 x 16.0
9	6506 402AA	1		EJD	DGL	SCREW AND WASHER, Hex Head, M6 x 1.0 x 16.0
10	6506 403AA	11		EJD	DGL	SCREW AND WASHER, Hex Head, M6 x 1.0 x 16.0
11	4777 833AB	1		EJD	DGL	PAN, Engine Oil
12	6101 010	2		EJD	DGL	SCREW AND WASHER, Hex Head, M6x1x18
13	4693 165AA	1		EJD	DGL	PICKUP, Engine Oil
14	4777 835AA	1		EJD	DGL	GASKET, Oil Pan
15	4777 836AA	1		EJD	DGL	COVER, Timing Case
16	6506 062AA	1		EJD	DGL	SCREW
17	6102 001	8		EJD	DGL	BOLT AND WASHER, M6x12
18	6505 690AA	1		EJD	DGL	SCREW

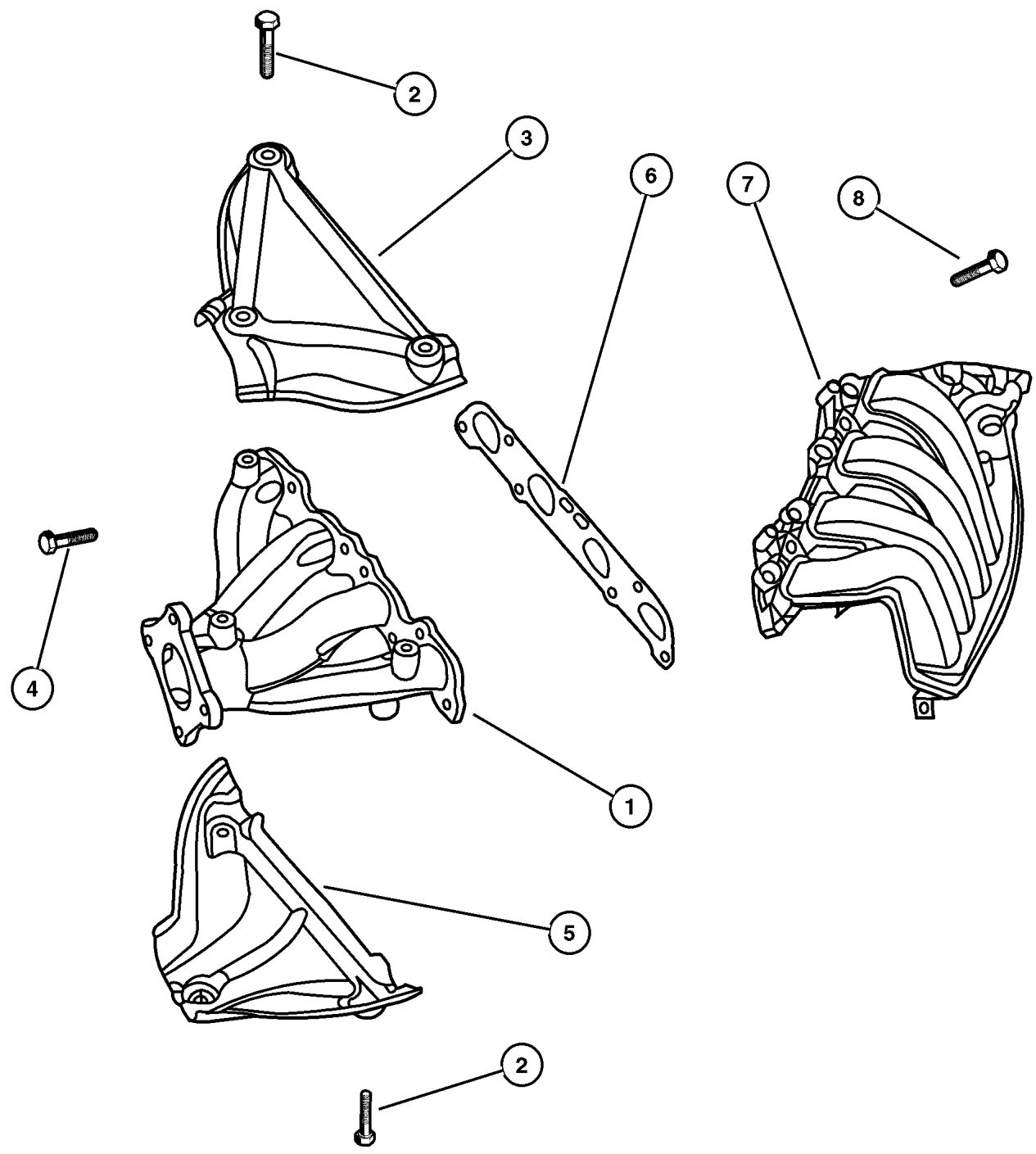
DODGE - CHRYSLER NEON (PL)

SERIES	LINE	BODY	ENGINE	TRANSMISSION
L=Low Line	Z= Chrysler, RHD	41 = 4 Door,	ECB = 2.0L 4 Cyl. , 16V SMPI	DD5 = 5 Speed Manual
H=High Line	D= Dodge	104WB	ECH = 2.0L 4 Cyl, 16V SOHC	DGL = 4 Speed Automatic
S = Special	C= Chrysler		EJD, EJ0 = 1.6L 4 Cyl 16v, SOHC	DG0 = All Automatics
P = Premium				DBB = All 5 Speed Manual
X = R/T				

AR = Use as required - = Non illustrated part # = New this model year

April 9, 2002

**Manifolds 1.6L [EJD]
Figure 1.6L-816**



ITEM	PART NUMBER	QTY	LINE	ENGINE	TRANS	DESCRIPTION
NOTE: Sales Code						
[DD5] = 5 Speed Manual Transmission						
[DGL] = 4 Speed Automatic Transmission, 41TE						
[EJD] = 1.6L 4 Cylinder SOHC 16V SMPI Engine						
1	4693 133AD	1		EJD	DGL	MANIFOLD, Exhaust
2	6506 461AA	5		EJD	DD5	SCREW
3	4693 051AB	1		EJD	DD5	SHIELD, Exhaust Manifold
4	6503 131	8		EJD	DGL	BOLT, Hex Flange Head, M8x1.25x30
5	4693 052AA	1		EJD	DGL	SHIELD, Exhaust Manifold
6	4777 852AB	1		EJD	DGL	GASKET, Exhaust Manifold
7	4693 207AA	1		EJD	DD5	MANIFOLD, Intake, Without EGR Valve
8	6506 462AA	5		EJD	DD5	BOLT

DODGE - CHRYSLER NEON (PL)				
SERIES	LINE	BODY	ENGINE	TRANSMISSION
L=Low Line	Z= Chrysler, RHD	41 = 4 Door,	ECB = 2.0L 4 Cyl. , 16V SMPI	DD5 = 5 Speed Manual
H=High Line	D= Dodge	104WB	ECH = 2.0L 4 Cyl, 16V SOHC	DGL = 4 Speed Automatic
S = Special	C= Chrysler		EJD, EJ0 = 1.6L 4 Cyl 16v, SOHC	DG0 = All Automatics
P = Premium				DBB = All 5 Speed Manual
X = R/T				

AR = Use as required - = Non illustrated part # = New this model year

**Crankcase Ventilation 1.6L [EJD]
Figure 1.6L-916**

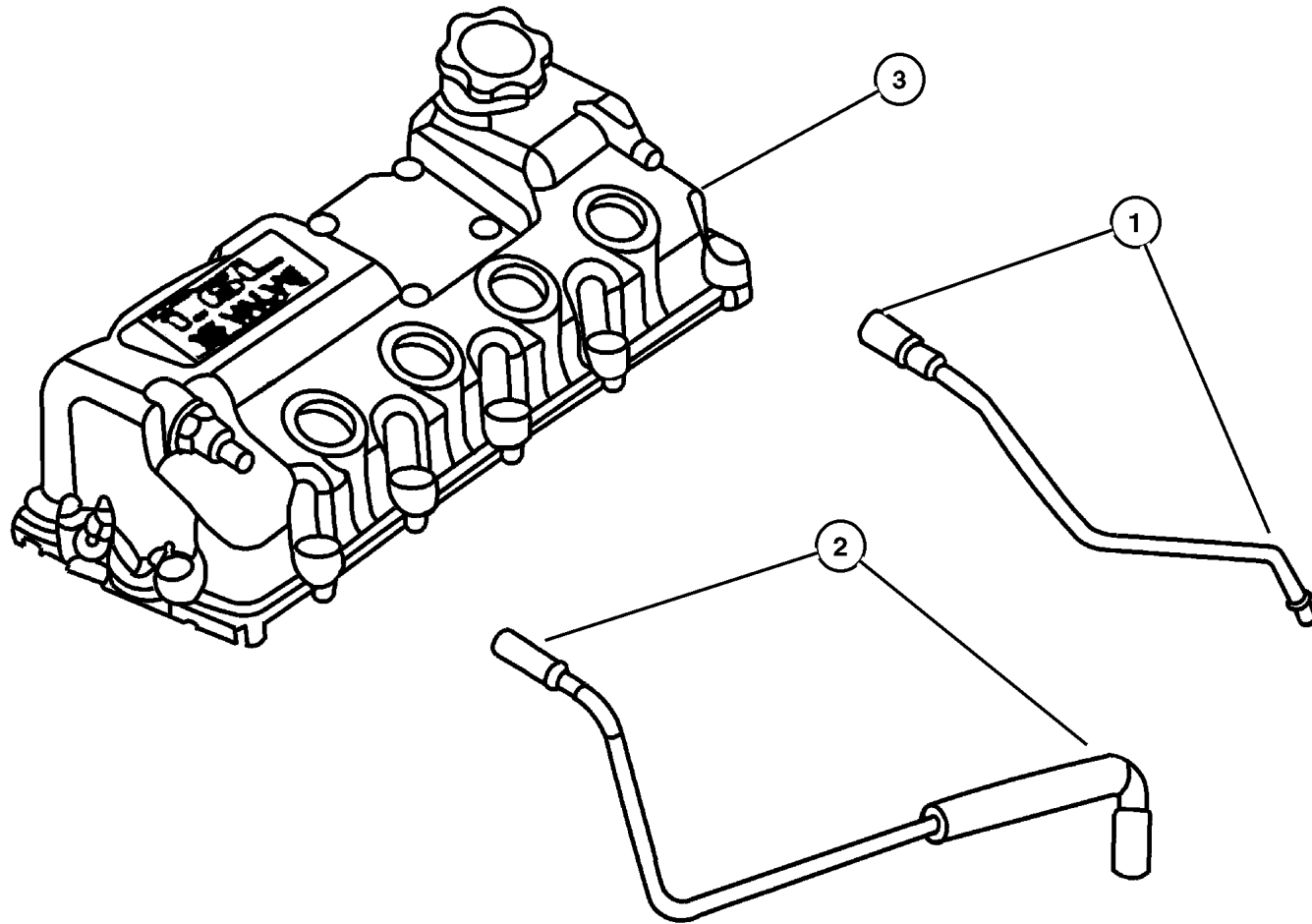
ITEM	PART NUMBER	QTY	LINE	ENGINE	TRANS	DESCRIPTION
------	-------------	-----	------	--------	-------	-------------

NOTE: Sales Code

[DGL] = 4 Speed Automatic Transmission, 41TE

[EJD] = 1.6L 4 Cylinder SOHC 16V SMPI Engine

1	4693 154AC	1		EJD		HOSE, Make Up Air
2	4693 152AB	1		EJD	DGL	HOSE, Crankcase Vent
3	4777 796AD	1		EJD	DGL	COVER, Cylinder Head



DODGE - CHRYSLER NEON (PL)

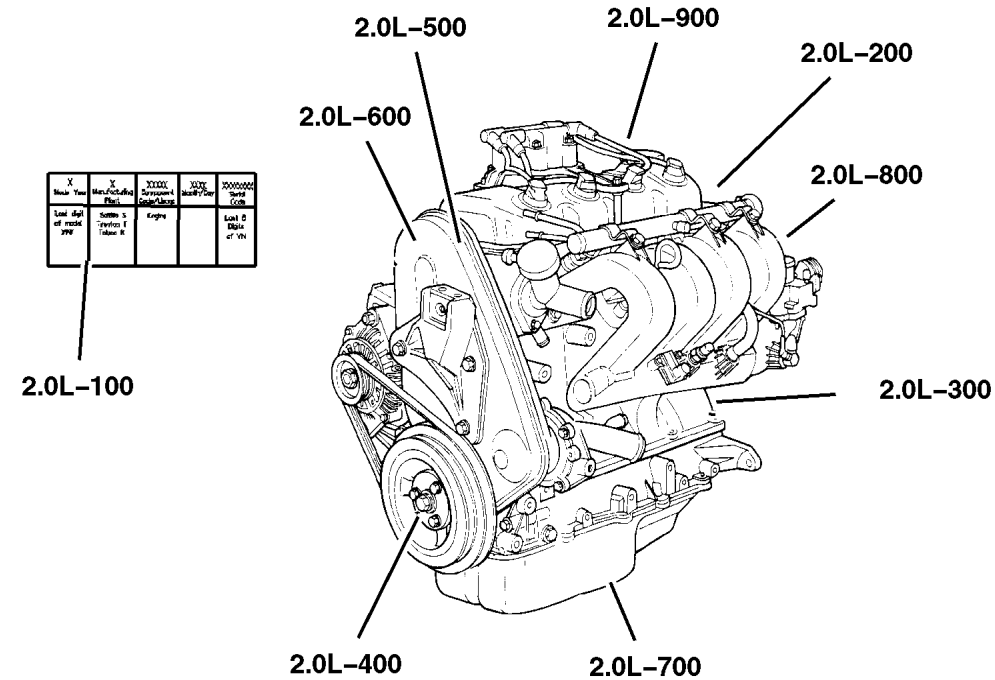
SERIES	LINE	BODY	ENGINE	TRANSMISSION
L=Low Line	Z= Chrysler, RHD	41 = 4 Door,	ECB = 2.0L 4 Cyl. , 16V SMPI	DD5 = 5 Speed Manual
H=High Line	D= Dodge	104WB	ECH = 2.0L 4 Cyl, 16V SOHC	DGL = 4 Speed Automatic
S = Special	C= Chrysler		EJD, EJ0 = 1.6L 4 Cyl 16v, SOHC	DG0 = All Automatics
P = Premium				DBB = All 5 Speed Manual
X = R/T				

AR = Use as required - = Non illustrated part # = New this model year

April 9, 2002

Group – 2.0L

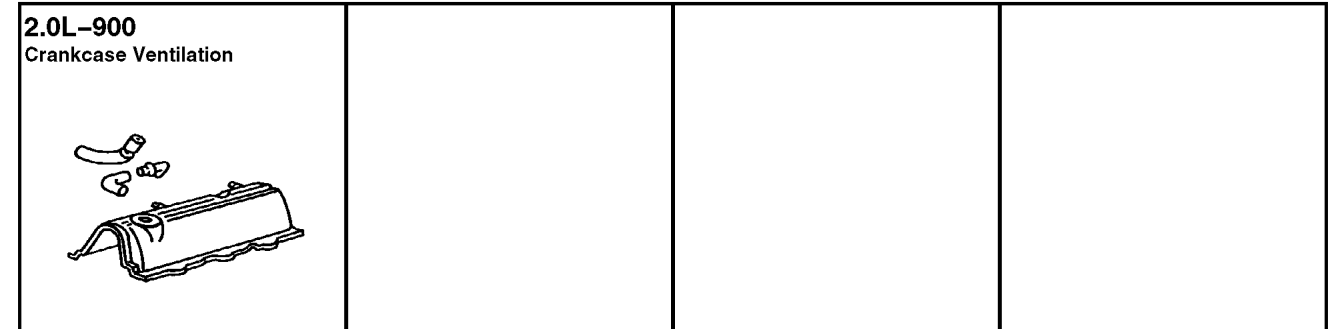
Engine 2.0L Four Cylinder



X	X	XXXX	XXXX	XXXXXXXX
Model Year	Manufacturing Plant	Component Code/Usage	Month/Day	Serial Code
Last digit of model year	Satellite S Trenton T Tokyo K	Engine 3.3L – 3.8L Usage Pass Car PC Truck T		Last 8 Digits of VIN

Group – 2.0L

Engine 2.0L Four Cylinder



<p>2.0L-100 Engine Identification</p> <table border="1"> <tr> <td>X</td> <td>X</td> <td>XXXX</td> <td>XXXX</td> <td>XXXXXXXX</td> </tr> <tr> <td>Model Year</td> <td>Manufacturing Plant</td> <td>Component Code/Usage</td> <td>Month/Day</td> <td>Serial Code</td> </tr> <tr> <td>Last digit of model year</td> <td>Satellite S Trenton T Tokyo K</td> <td>Engine 3.3L – 3.8L Usage Pass Car PC Truck T</td> <td></td> <td>Last 8 Digits of VIN</td> </tr> </table>	X	X	XXXX	XXXX	XXXXXXXX	Model Year	Manufacturing Plant	Component Code/Usage	Month/Day	Serial Code	Last digit of model year	Satellite S Trenton T Tokyo K	Engine 3.3L – 3.8L Usage Pass Car PC Truck T		Last 8 Digits of VIN	<p>2.0L-200 Cylinder Head</p>	<p>2.0L-300 Cylinder Block</p>	<p>2.0L-400 Crankshaft, Piston, and Drive Plate</p>
X	X	XXXX	XXXX	XXXXXXXX														
Model Year	Manufacturing Plant	Component Code/Usage	Month/Day	Serial Code														
Last digit of model year	Satellite S Trenton T Tokyo K	Engine 3.3L – 3.8L Usage Pass Car PC Truck T		Last 8 Digits of VIN														
<p>2.0L-500 Camshafts and Valves</p>	<p>2.0L-600 Timing Belt and Cover</p>	<p>2.0L-700 Engine Oiling</p>	<p>2.0L-800 Manifolds</p>															



GROUP 2.0L - Engine 2.0L Four Cylinder

Illustration Title	Group-Fig. No.
Engine Identification	
I. D. Location 2.0L (ECB,ECH)	Fig. 2.0L-111
Cylinder Head	
Cylinder Head 2.0L [ECB],[ECH]	Fig. 2.0L-211
Cylinder Block	
Cylinder Block 2.0L (ECB,ECH)	Fig. 2.0L-311
Crankshaft, Piston, and Drive Plate	
Crankshaft, Piston, Driveplate 2.0L (ECB,ECH)	Fig. 2.0L-411
Camshafts and Valves	
Camshaft and Valves 2.0L (ECB,ECH)	Fig. 2.0L-511
Timing Belt and Cover	
Timing Belt and Cover 2.0L (ECB,ECH))	Fig. 2.0L-611
Engine Oiling	
Engine Oiling 2.0L (ECB,ECH)	Fig. 2.0L-711
Manifolds	
Manifolds 2.0L (ECB,ECH)	Fig. 2.0L-811
Crankcase Ventilation	
Crankcase Ventilation 2.0L (ECB,ECH)	Fig. 2.0L-911



I. D. Location 2.0L (ECB,ECH)
Figure 2.0L-111

ITEM	PART NUMBER	QTY	LINE	ENGINE	TRANS	DESCRIPTION
------	-------------	-----	------	--------	-------	-------------

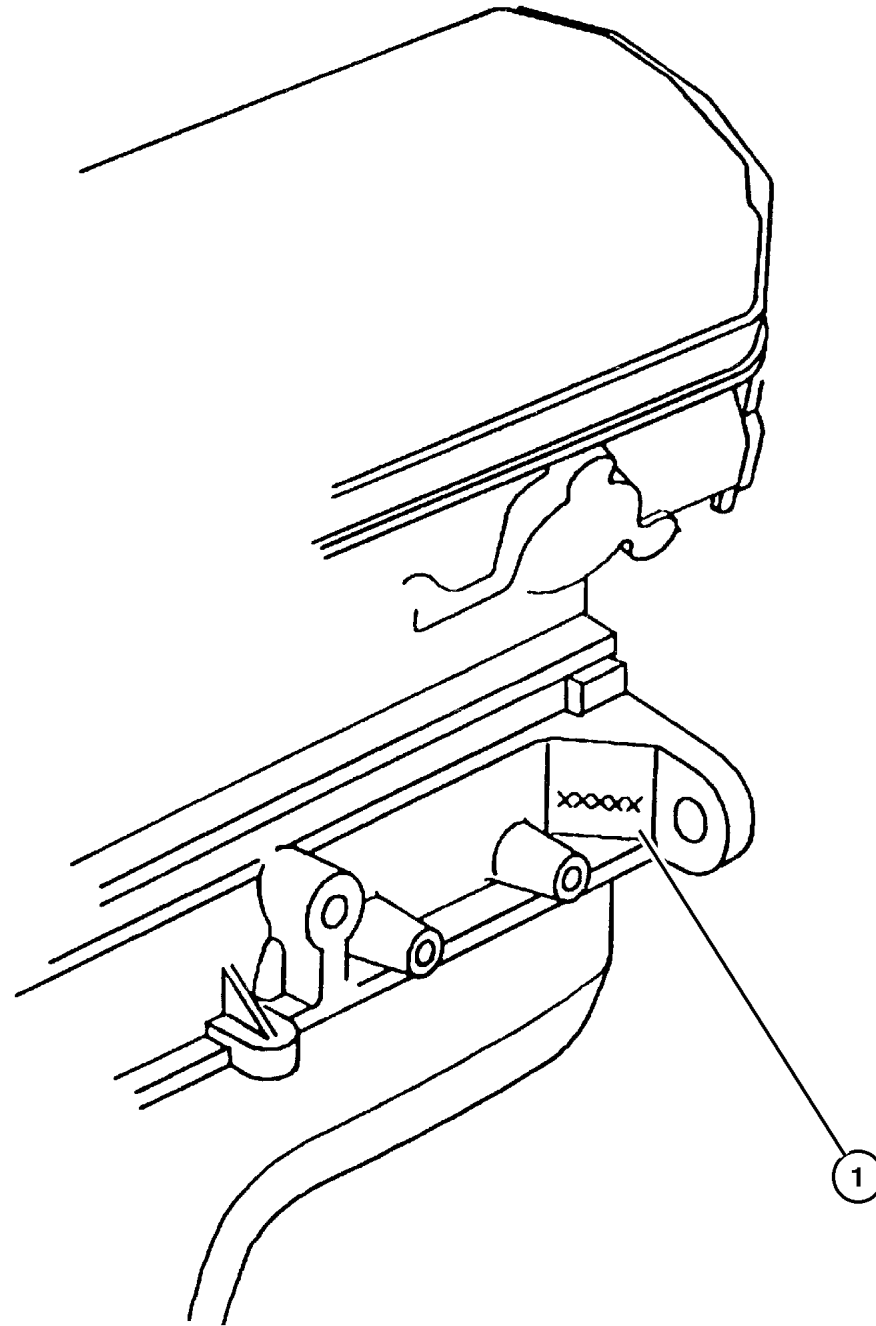
Engine I.D. is located on the left bank at the rear of the block, just below the head.

NOTE: Sales Codes

[ECB] = 2.0L 4 Cylinder SOHC 16V SMPI Engine

[ECH] = 2.0L 4 Cylinder SOHC 16V Hi-Performance Engine

1						LABEL, Engine Identification, (NOT SERVICED)
---	--	--	--	--	--	--



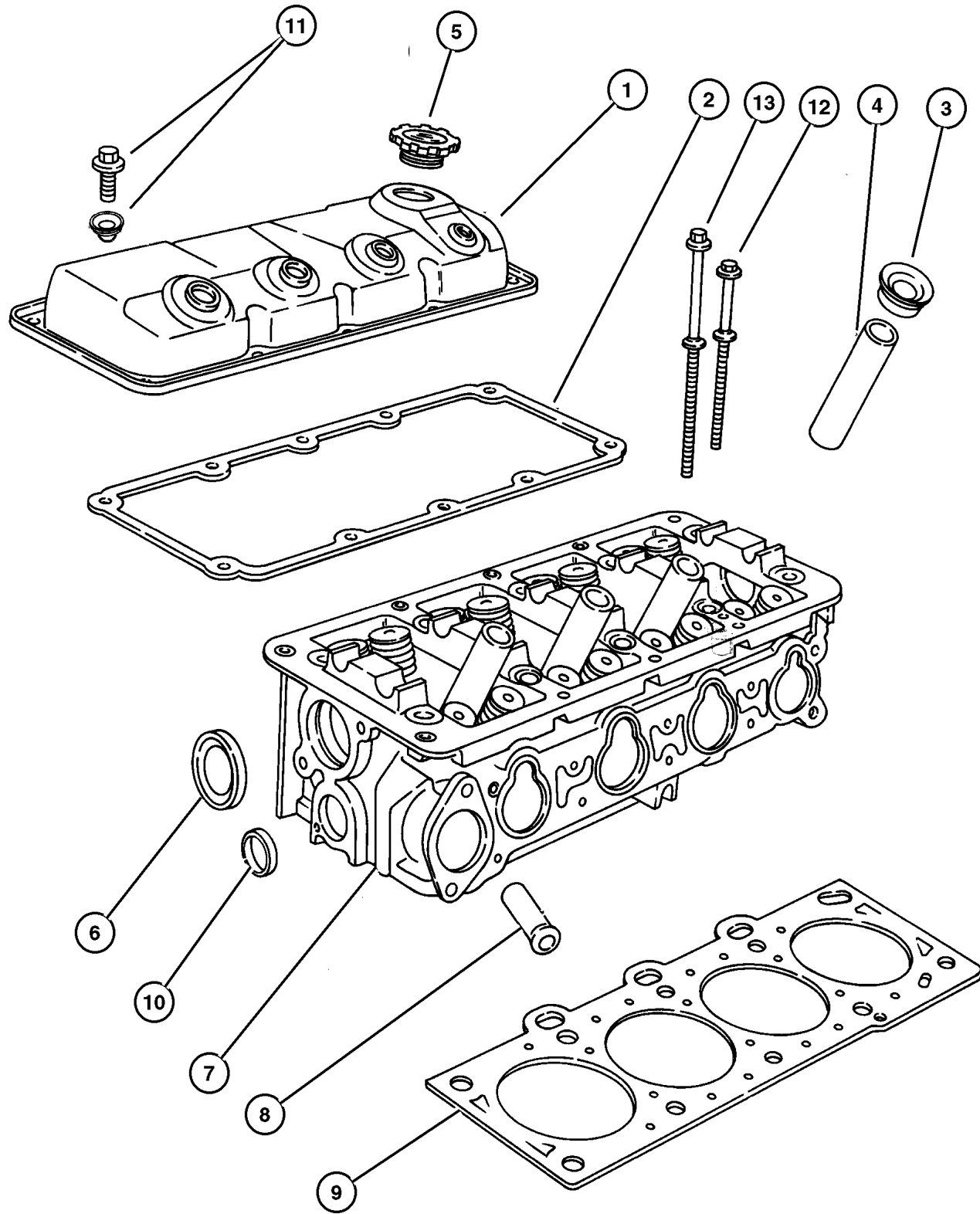
DODGE - CHRYSLER NEON (PL)

SERIES	LINE	BODY	ENGINE	TRANSMISSION
L=Low Line	Z= Chrysler, RHD	41 = 4 Door,	ECB = 2.0L 4 Cyl. , 16V SMPI	DD5 = 5 Speed Manual
H=High Line	D= Dodge	104WB	ECH = 2.0L 4 Cyl, 16V SOHC	DGL = 4 Speed Automatic
S = Special	C= Chrysler		EJD, EJ0 = 1.6L 4 Cyl 16v, SOHC	DG0 = All Automatics
P = Premium				DBB = All 5 Speed Manual
X = R/T				

AR = Use as required - = Non illustrated part # = New this model year

April 9, 2002

**Cylinder Head 2.0L [ECB],[ECH]
Figure 2.0L-211**



ITEM	PART NUMBER	QTY	LINE	ENGINE	TRANS	DESCRIPTION
NOTE: Sales Codes						
[ECB]=2.0L Engine						
[ECH]=2.0L R/T Engine						
1	#4777 487AE	1		ECB		COVER, Cylinder Head
	4884 293AA	1		ECH		
2	4777 626AA	1		ECB		GASKET, Cylinder Cover
		1		ECH		
3	4777 042AB	4		ECB		SEAL, Spark Plug Tube
		4		ECH		
4	4648 604	4		ECB		TUBE, Spark Plug
		4		ECH		
5	4648 831AA	1		ECB		CAP, Oil Filler
		1		ECH		
6	4777 086	1		ECB		SEAL, Camshaft
		1		ECH		
7	4667 993AE	1		ECB		HEAD, Cylinder
	4884 055AB	1		ECH		
8	4621 653	1		ECB		NIPPLE, Heater Return
		1		ECH		
9	5014 556AD	1		ECB		GASKET PACKAGE, Engine Upper
	5018 789AC	1		ECH		
10	4556 020	2		ECB		PLUG, Core, 1.25 Diameter
		2		ECH		
11	4777 625AA	10		ECB		ISOLATOR, Cylinder Head Cover, Grommet And Bolt
		10		ECH		
12	6503 561	4		ECB		BOLT, Cylinder Head
		4		ECH		
13	6503 562	6		ECB		BOLT, Cylinder Head

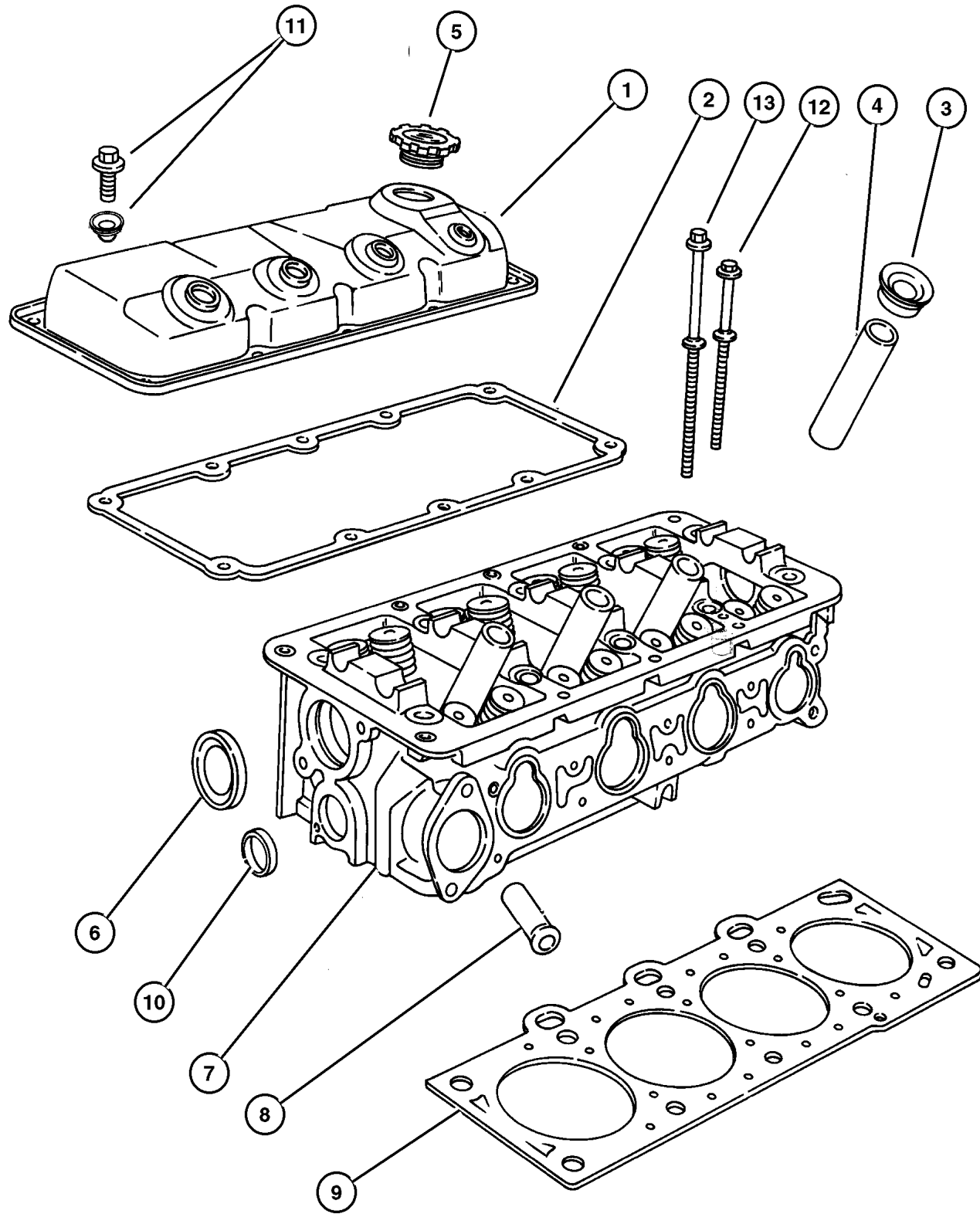
DODGE - CHRYSLER NEON (PL)

SERIES	LINE	BODY	ENGINE	TRANSMISSION
L=Low Line	Z= Chrysler, RHD	41 = 4 Door,	ECB = 2.0L 4 Cyl. , 16V SMPI	DD5 = 5 Speed Manual
H=High Line	D= Dodge	104WB	ECH = 2.0L 4 Cyl, 16V SOHC	DGL = 4 Speed Automatic
S = Special	C= Chrysler		EJD, EJ0 = 1.6L 4 Cyl 16v, SOHC	DG0 = All Automatics
P = Premium				DBB = All 5 Speed Manual
X = R/T				

AR = Use as required - = Non illustrated part # = New this model year

April 9, 2002

**Cylinder Head 2.0L [ECB],[ECH]
Figure 2.0L-211**



ITEM	PART NUMBER	QTY	LINE	ENGINE	TRANS	DESCRIPTION
-14	4591 227	1	6	ECH		COVER, EGR Port
-15	4663 247AB	1		ECB		GASKET, EGR Valve
-16	6501 648	2		ECH		SCREW, Hex Flange Head, M8x1.25x25.00
-17	6101 799	1		ECB		BOLT AND WASHER, Hex Head, M8x1.25x20
		1		ECB		Ground Strap to Cylinder Head
		1		ECB		Capacitor Mounting to Cylinder Head
		1		ECH		Capacitor Mounting to Cylinder Head
		1		ECH		Ground Strap to Cylinder Head

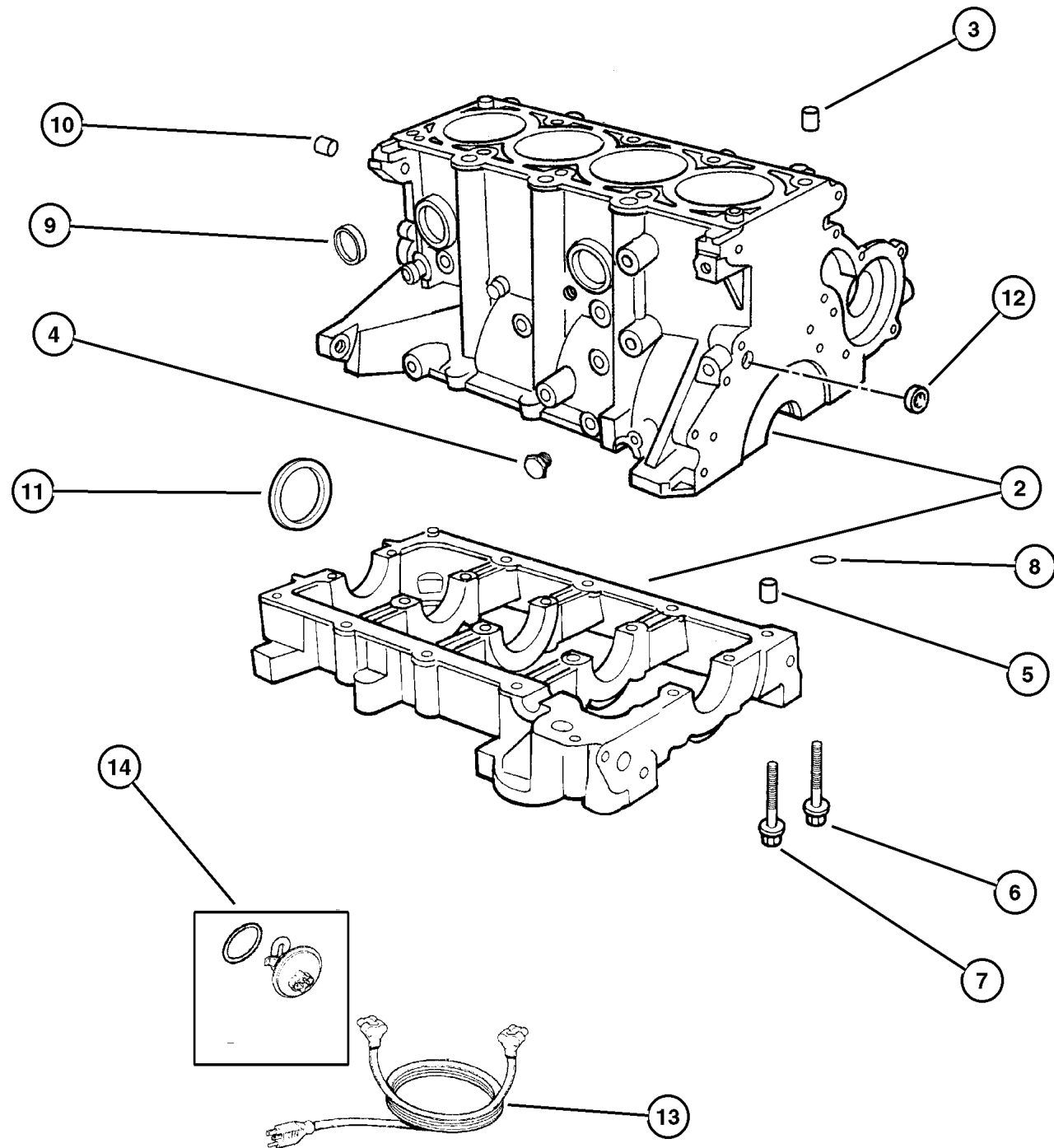
DODGE - CHRYSLER NEON (PL)

SERIES	LINE	BODY	ENGINE	TRANSMISSION
L=Low Line	Z= Chrysler, RHD	41 = 4 Door,	ECB = 2.0L 4 Cyl. , 16V SMPI	DD5 = 5 Speed Manual
H=High Line	D= Dodge	104WB	ECH = 2.0L 4 Cyl, 16V SOHC	DGL = 4 Speed Automatic
S = Special	C= Chrysler		EJD, EJ0 = 1.6L 4 Cyl 16v, SOHC	DG0 = All Automatics
P = Premium				DBB = All 5 Speed Manual
X = R/T				

AR = Use as required - = Non illustrated part # = New this model year

April 9, 2002

**Cylinder Block 2.0L (ECB,ECH)
Figure 2.0L-311**



ITEM	PART NUMBER	QTY	LINE	ENGINE	TRANS	DESCRIPTION
NOTE: Sales Codes						
[ECB]=2.0L Engine						
[ECH]=2.0L R/T Engine						
-1						GASKET PACKAGE, Engine Lower
	4798 967AF	1		ECB		
		1		ECH		
2	#5018 804AB	1		ECB		BLOCK, Short
	#5018 788AB	1		ECH		
3		2		ECB		DOWEL, Block To Cylinder Head
	4448 856	2		ECH		
4						PLUG, Pipe, .250-18x.560, (NOT SERVICED)
5						DOWEL, Engine Block To Bedplate
	4694 106	3		ECB		
		3		ECH		
6						BOLT, Main Bearing Cap
	6503 072	10		ECB		
		10		ECH		
7						BOLT, Main Bearing Cap
	6503 074	10		ECB		
		10		ECH		
8						O RING, Bedplate To Engine Block
	6506 925AA	1		ECB		
		1		ECH		
9						PLUG, Core, 1.39 Diameter
	6034 804	4		ECB		
		4		ECH		
10						DOWEL, Block To Clutch Housing
	5240 849	2		ECB		
		2		ECH		
11						SEAL, Rear Main Crankshaft
	4621 939AB	1		ECB		
		1		ECH		
12						PLUG, Cylinder Block Oil Hole
	4556 018	2		ECB		
		2		ECH		
13	4793 530	1				CORD, Engine Block Heater
14	5033 114AA	1				HEATER, Engine Block
-15	4556 019	1		ECH		PLUG, Cylinder Block Oil Hole

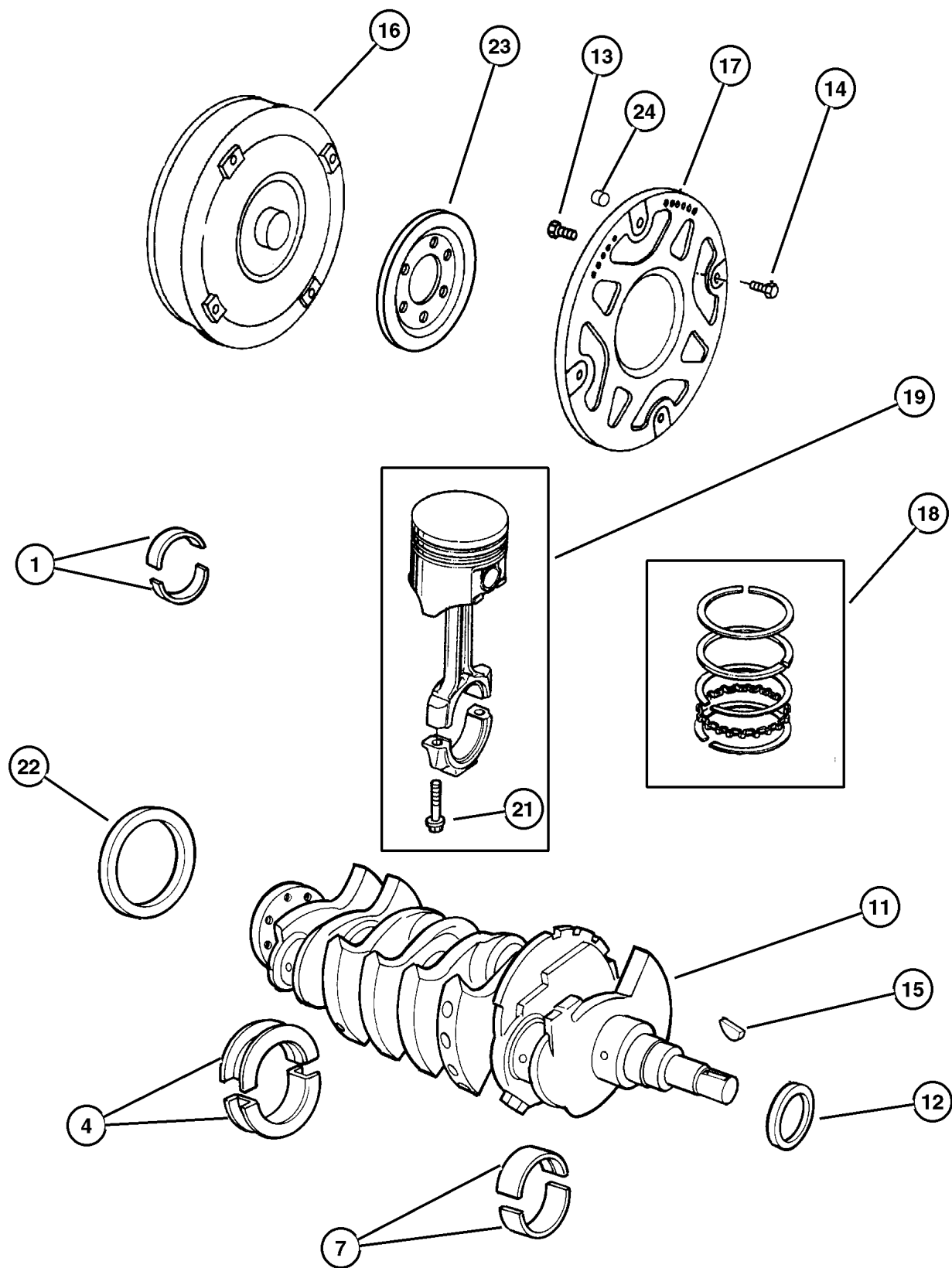
DODGE - CHRYSLER NEON (PL)

SERIES	LINE	BODY	ENGINE	TRANSMISSION
L=Low Line	Z= Chrysler, RHD	41 = 4 Door, 104WB	ECB = 2.0L 4 Cyl. , 16V SMPI	DD5 = 5 Speed Manual
H=High Line	D= Dodge		ECH = 2.0L 4 Cyl, 16V SOHC	DGL = 4 Speed Automatic
S = Special	C= Chrysler		EJD, EJO = 1.6L 4 Cyl 16v, SOHC	DG0 = All Automatics
P = Premium				DBB = All 5 Speed Manual
X = R/T				

AR = Use as required - = Non illustrated part # = New this model year

April 9, 2002

**Crankshaft, Piston, Driveplate 2.0L (ECB,ECH)
Figure 2.0L-411**



ITEM	PART NUMBER	QTY	LINE	ENGINE	TRANS	DESCRIPTION
NOTE: Sales Codes [DGC]=3 Speed Auto Trans [DGL]=4 Speed Auto Trans [ECB]=2.0L Engine [ECH]=2.0L R/T Engine						
1	4728 997	1		ECB		BEARING PACKAGE, Connecting Rod, Standard
		1		ECH		
-2	4728 991	1		ECB		BEARING PACKAGE, Connecting Rod, .025mm Undersize
		1		ECH		
-3	4728 992	1		ECB		BEARING PACKAGE, Connecting Rod, .25mm Undersize
		1		ECH		
4	4856 734	1		ECB		BEARING PACKAGE, Crankshaft Thrust, STD.
		1		ECH		
-5	4856 736	1		ECB		BEARING PACKAGE, Crankshaft Thrust, .016mm Undersize
		1		ECH		
-6	4856 738	1		ECB		BEARING PACKAGE, Crankshaft Thrust, .25mm Undersize
		1		ECH		
7	4856 733	1		ECB		BEARING PACKAGE, Crankshaft Main, Standard Size
		1		ECH		
-8	4856 735	1		ECB		BEARING PACKAGE, Crankshaft, .016mm Undersize
		1		ECH		
-9	4856 737	1		ECB		BEARING PACKAGE, Crankshaft, .25 mm Undersize
		1		ECH		
-10	4728 997	1		ECB		BEARING PACKAGE, Connecting Rod, Standard
		1		ECH		
11	4667 754	1		ECB		CRANKSHAFT
		1		ECH		
12	4667 198	1		ECH		SEAL, Front Main Crankshaft
		1		ECB		

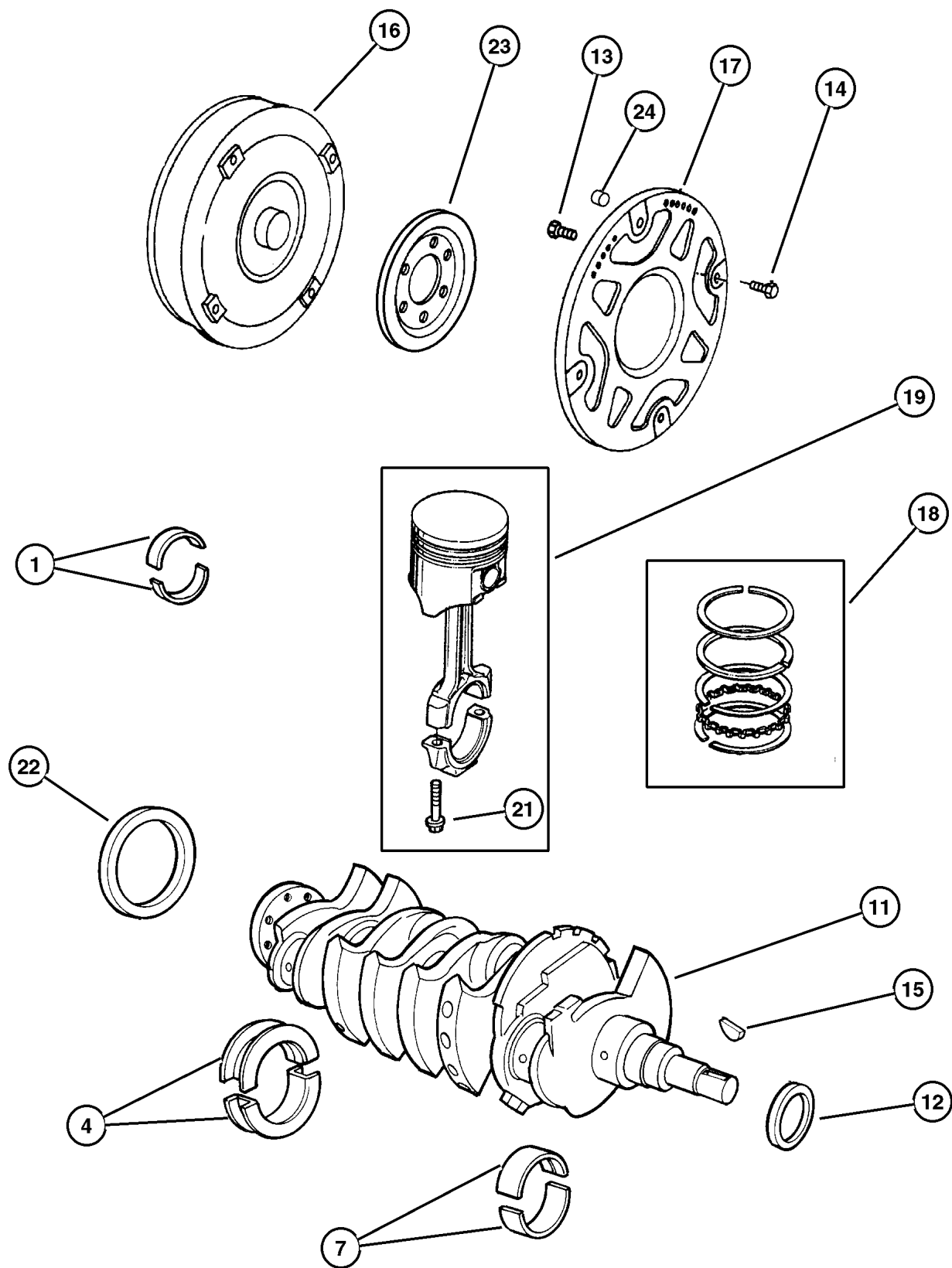
DODGE - CHRYSLER NEON (PL)

SERIES	LINE	BODY	ENGINE	TRANSMISSION
L=Low Line	Z= Chrysler, RHD	41 = 4 Door, 104WB	ECB = 2.0L 4 Cyl. , 16V SMPI	DD5 = 5 Speed Manual
H=High Line	D= Dodge		ECH = 2.0L 4 Cyl, 16V SOHC	DGL = 4 Speed Automatic
S = Special	C= Chrysler		EJD, EJO = 1.6L 4 Cyl 16v, SOHC	DG0 = All Automatics
P = Premium				DBB = All 5 Speed Manual
X = R/T				

AR = Use as required - = Non illustrated part # = New this model year

April 9, 2002

**Crankshaft, Piston, Driveplate 2.0L (ECB,ECH)
Figure 2.0L-411**



ITEM	PART NUMBER	QTY	LINE	ENGINE	TRANS	DESCRIPTION
13	6503 465	8		ECB, ECH	DD5	BOLT, Drive Plate and Flywheel
14	6504 383	4		ECB, ECH	DD5	BOLT, Hex Head, M10x1.50 x 13.20
15						KEY, Crankshaft Sprocket
	6035 473	1		ECB		
		1		ECH		
16	4796 384AC	1			DGL	CONVERTER PACKAGE, Torque
17	4567 143	1		ECB, ECH	DD5	PLATE, Drive Plate
18						PISTON RING SET, COMPLETE ENGINE, STD.
	4741 401	1		ECB		
		1		ECH		
19						PISTON PIN AND ROD
	4897 642AB	4		ECB		
	5018 767AA	4		ECH		
-20						PISTON, Piston, Pin, and Rod Assy., (NOT SERVICED)
21						BOLT, Connecting Rod
	6503 116	8		ECH		
		8		ECB		
22						SEAL, Rear Main Crankshaft
	4621 939AB	1		ECB		
		1		ECH		
23	4471 933	1		ECB, ECH	DD5	PLATE, Drive Plate Backing
24						DOWEL, Block To Clutch Housing
	5240 849	2		ECH		
		2		ECB		

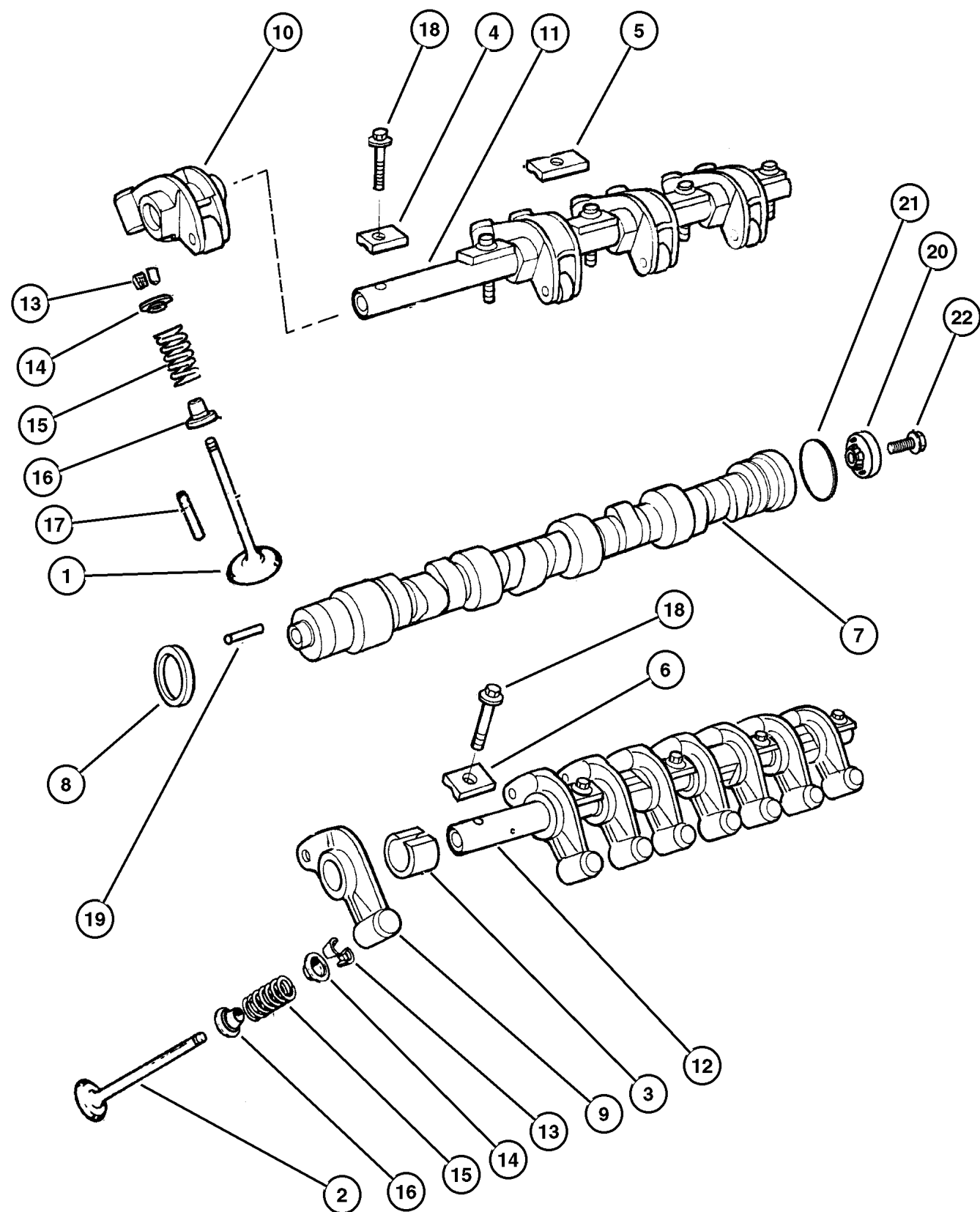
DODGE - CHRYSLER NEON (PL)

SERIES	LINE	BODY	ENGINE	TRANSMISSION
L=Low Line	Z= Chrysler, RHD	41 = 4 Door,	ECB = 2.0L 4 Cyl. , 16V SMPI	DD5 = 5 Speed Manual
H=High Line	D= Dodge	104WB	ECH = 2.0L 4 Cyl, 16V SOHC	DGL = 4 Speed Automatic
S = Special	C= Chrysler		EJD, EJ0 = 1.6L 4 Cyl 16v, SOHC	DG0 = All Automatics
P = Premium				DBB = All 5 Speed Manual
X = R/T				

AR = Use as required - = Non illustrated part # = New this model year

April 9, 2002

**Camshaft and Valves 2.0L (ECB,ECH)
Figure 2.0L-511**



ITEM	PART NUMBER	QTY	LINE	ENGINE	TRANS	DESCRIPTION
NOTE: Sales Codes						
[ECB]=2.0L Engine						
[ECH]=2.0L R/T Engine						
1	4648 613AC	8		ECH		VALVE, Exhaust, Standard Triple Bead Lock
		8		ECB		Triple Bead Lock
2	4648 615AC	8		ECH		VALVE, Intake, Standard Triple Bead Lock
		8		ECB		Triple Bead Lock
3	4667 370	4		ECH		SPACER, Rocker Shaft
		4		ECB		
4	4667 256	2		ECH		RETAINER, Valve Rocker Shaft
		2		ECB		
5	4667 257	3		ECH		RETAINER, Valve Rocker Shaft
		3		ECB		
6	4667 259	5		ECH		RETAINER, Valve Rocker Shaft
		5		ECB		
7	#4884 325AB	1		ECH		CAMSHAFT
	4777 128	1		ECB		
8	4777 086	1		ECH		SEAL, Camshaft
		1		ECB		
9	4648 701AB	8		ECH		ROCKER ARM, Intake
		8		ECB		
10	4648 702AC	4		ECH		ROCKER ARM, Exhaust
		4		ECB		
11	4648 693	1		ECH		SHAFT, Rocker Arm
		1		ECB		
12	4648 691	1		ECH		SHAFT, Rocker Arm
		1		ECB		
13	4777 050AC	32		ECH		LOCK, Valve Spring Retainer Triple Bead Lock

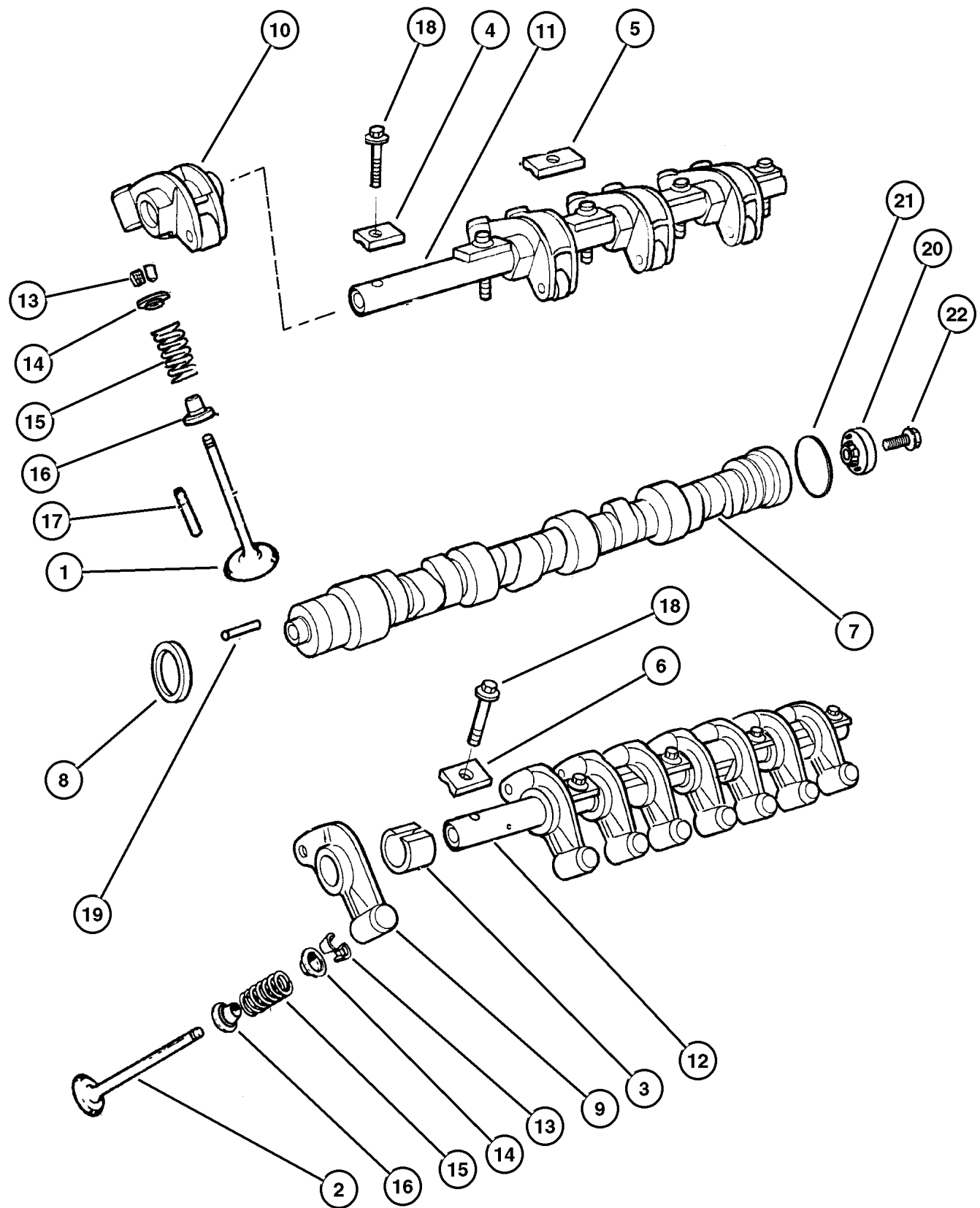
DODGE - CHRYSLER NEON (PL)

SERIES	LINE	BODY	ENGINE	TRANSMISSION
L=Low Line	Z= Chrysler, RHD	41 = 4 Door, 104WB	ECB = 2.0L 4 Cyl. , 16V SMPI	DD5 = 5 Speed Manual
H=High Line	D= Dodge		ECH = 2.0L 4 Cyl, 16V SOHC	DGL = 4 Speed Automatic
S = Special	C= Chrysler		EJD, EJO = 1.6L 4 Cyl 16v, SOHC	DG0 = All Automatics
P = Premium				DBB = All 5 Speed Manual
X = R/T				

AR = Use as required - = Non illustrated part # = New this model year

April 9, 2002

**Camshaft and Valves 2.0L (ECB,ECH)
Figure 2.0L-511**



ITEM	PART NUMBER	QTY	LINE	ENGINE	TRANS	DESCRIPTION
		32		ECB		Triple Bead Lock
14		16		ECH		RETAINER, Valve Spring
	4648 682AB	16		ECH		Triple Bead Lock
		16		ECB		Triple Bead Lock
15						SPRING, Valve
	4884 058AA	16		ECH		
	4777 535	16		ECB		
16						SEAL, Valve Guide
	4648 619	16		ECB		
		16		ECH		
17						GUIDE, Intake/Exhaust Valve, 7mm Oversize
	4648 635	AR		ECB		
		1		ECH		
18						SCREW, Hex Flange Head, M8x1.25x40
	6101 527	5		ECH		
		5		ECB		
19						PIN, Dowel
	6100 997	1		ECH		
		1		ECB		
20						CAM MAGNET, Target
	5269 547	1		ECH		
		1		ECB		
21						SEAL, Camshaft Sensor
	4884 111AA	1		ECH		
		1		ECB		
22						BOLT, Hex Flange Head, M6x1.00x40
	6503 688	1		ECH		
		1		ECB		
-23						CLIP, Engine Cover
	4661 242AD	1		ECH		
		1		ECB		
-24						BOLT AND CONED WASHER, Hex Head, M6x16x14
	6102 003	2		ECH		Clip Mounting
		2		ECB		
-25						SCREW, Pan Head, M6 x 1.00 x 25.00
	6505 460AA	1		ECH		Valve Attaching
		1		ECB		Valve Attaching

DODGE - CHRYSLER NEON (PL)

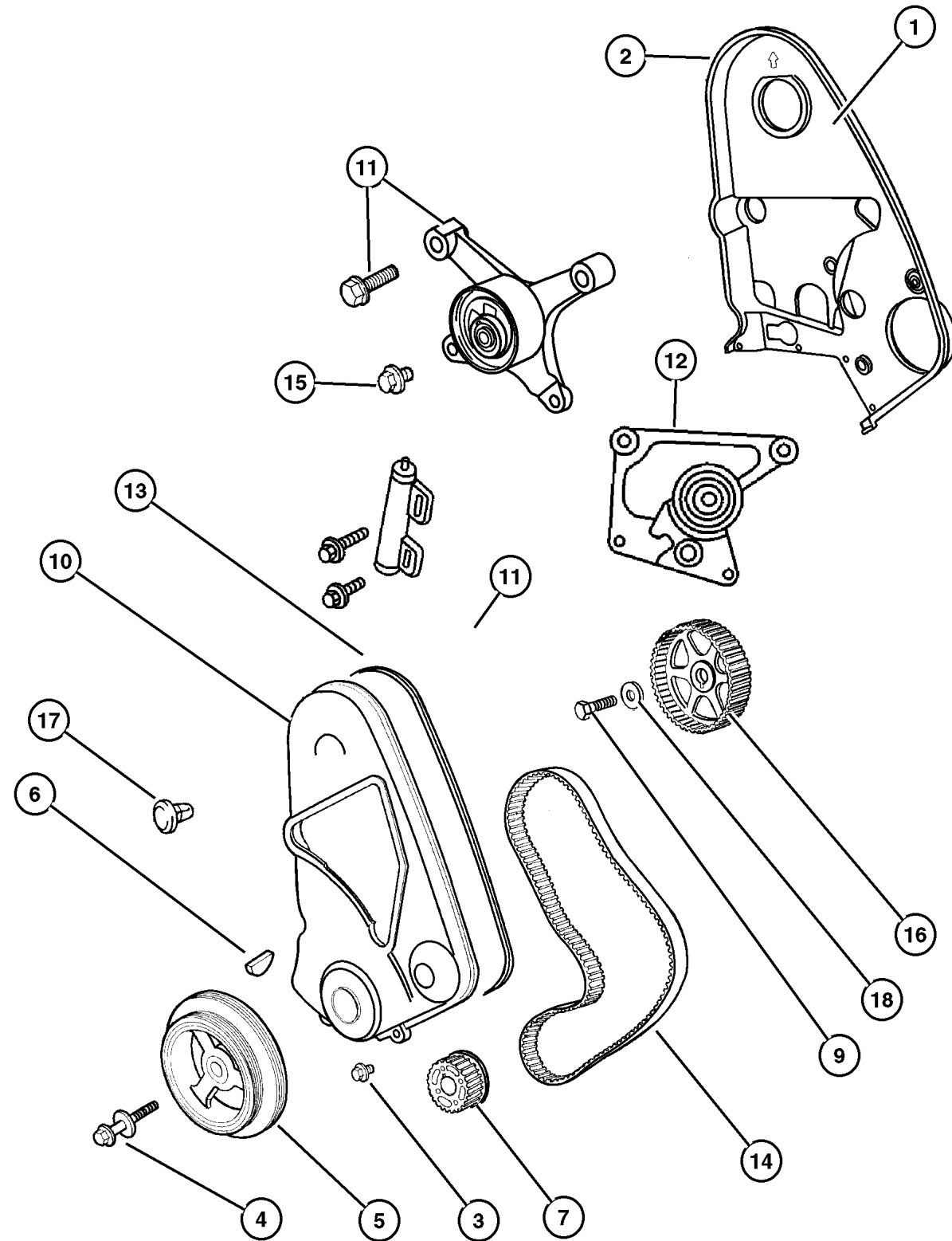
SERIES	LINE	BODY	ENGINE	TRANSMISSION
L=Low Line	Z= Chrysler, RHD	41 = 4 Door,	ECB = 2.0L 4 Cyl. , 16V SMPI	DD5 = 5 Speed Manual
H=High Line	D= Dodge	104WB	ECH = 2.0L 4 Cyl, 16V SOHC	DGL = 4 Speed Automatic
S = Special	C= Chrysler		EJD, EJ0 = 1.6L 4 Cyl 16v, SOHC	DG0 = All Automatics
P = Premium				DBB = All 5 Speed Manual
X = R/T				

AR = Use as required - = Non illustrated part # = New this model year

April 9, 2002

Timing Belt and Cover 2.0L (ECB,ECH))
Figure 2.0L-611

ITEM	PART NUMBER	QTY	LINE	ENGINE	TRANS	DESCRIPTION
NOTE: Sales Codes						
[ECB]=2.0L Engine						
[ECH]=2.0L R/T Engine						
1	4777 519AB	1		ECB		COVER, Timing Belt Inner
		1		ECH		Inner
2	4667 340	1		ECB		SEAL, Timing Belt Cover
		1		ECH		
3	6502 926	6		ECB		BOLT, Hex Flange Head, M6x1.0x20
		6		ECH		
4	6503 553	1		ECB		BOLT, Hex Flange Head, M12x1.75x87.50
		1		ECH		
5	4777 618AD	1		ECB		DAMPER, Crankshaft
		1		ECH		
6	6035 473	1		ECB		KEY, Crankshaft Sprocket
		1		ECH		
7	4667 604	1		ECB		GEAR, Crankshaft
		1		ECH		
-8	6100 997	1		ECB		PIN, Dowel
		1		ECH		
9	6501 405	1		ECB		BOLT, Hex Head, M12x1.50x52
		1		ECH		
10	4777 465	1		ECB		COVER, Timing Belt Outer
		1		ECH		Outer
11	#4884 320AA	1		ECB		TENSIONER, Belt Mechanical
		1		ECH		Mechanical
	4667 283	1		ECH		Hydraulic
		1		ECB		Hydraulic
12	4777 393AB	1		ECH		BRACKET, Tensioner
13	4667 340	1		ECB		SEAL, Timing Belt Cover



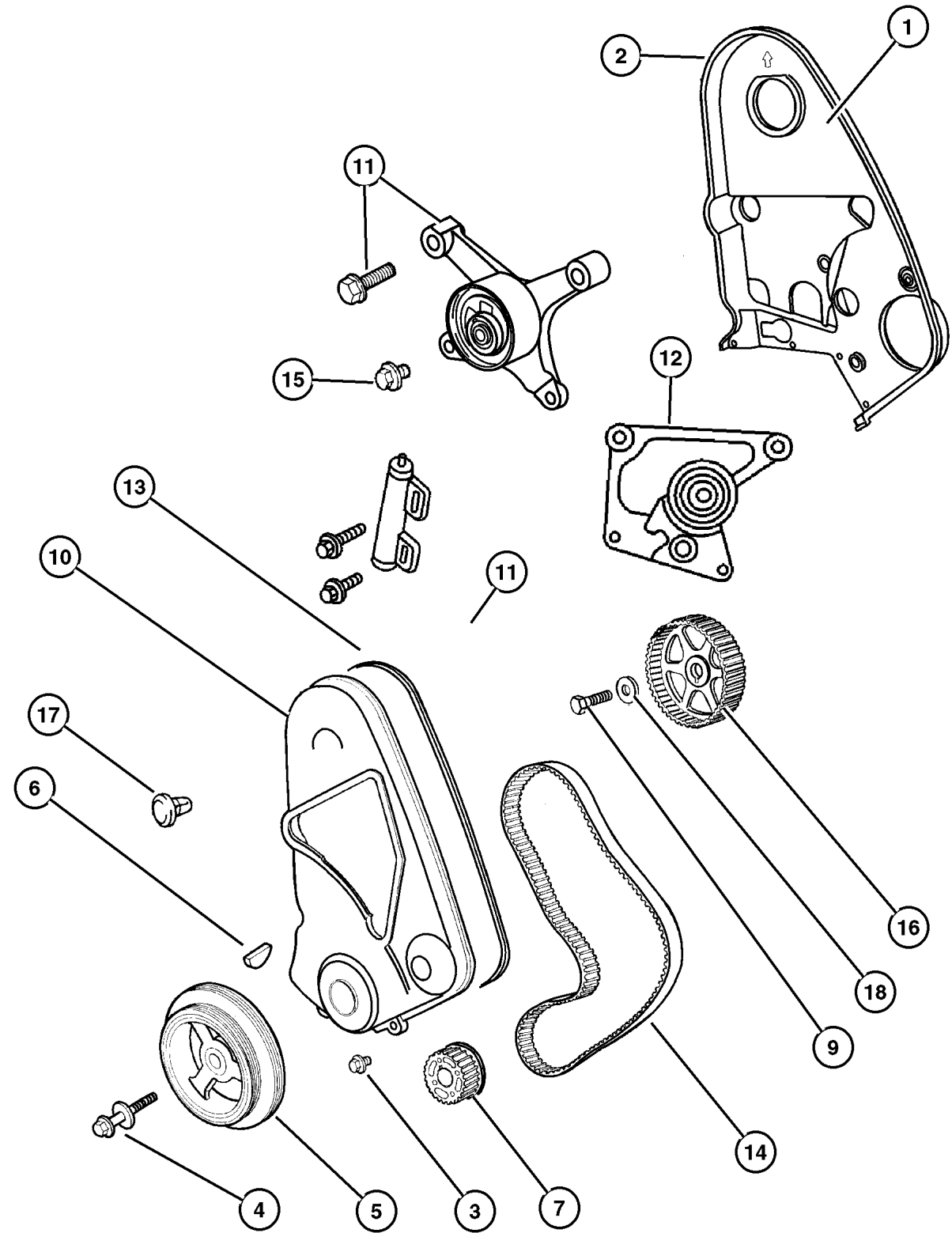
DODGE - CHRYSLER NEON (PL)
 SERIES LINE BODY ENGINE TRANSMISSION
 L=Low Line Z=Chrysler, RHD 41=4 Door, ECB=2.0L 4 Cyl., 16V SMPI DD5=5 Speed Manual
 H=High Line D=Dodge 104WB ECH=2.0L 4 Cyl., 16V SOHC DGL=4 Speed Automatic
 S=Special C=Chrysler EJD, EJO=1.6L 4 Cyl 16v, SOHC DG0=All Automatics
 P=Premium X=R/T DBB=All 5 Speed Manual

AR = Use as required - = Non illustrated part # = New this model year

April 9, 2002

**Timing Belt and Cover 2.0L (ECB,ECH)
Figure 2.0L-611**

ITEM	PART NUMBER	QTY	LINE	ENGINE	TRANS	DESCRIPTION
		1		ECH		
14	4667 606	1		ECB		BELT, Timing
		1		ECH		
15						SCREW AND WASHER, Hex Head, M6x1x30, (NOT SERVICED)
16	4667 602	1		ECB		GEAR, Camshaft
		1		ECH		
17	4667 554	1		ECB		PLUG, Timing Belt Cover
		1		ECH		
18	6503 438	1		ECB		WASHER, Flared, 13x35.00x4.70
		1		ECH		
-19	6101 723	1		ECB		SCREW AND WASHER, Hex Head, M8x1.25x50 Tensioner Upper
		1		ECH		Tensioner Upper
-20	6100 296	2		ECB		BOLT, Hex Head Plate Tensioner
		2		ECH		Plate Tensioner



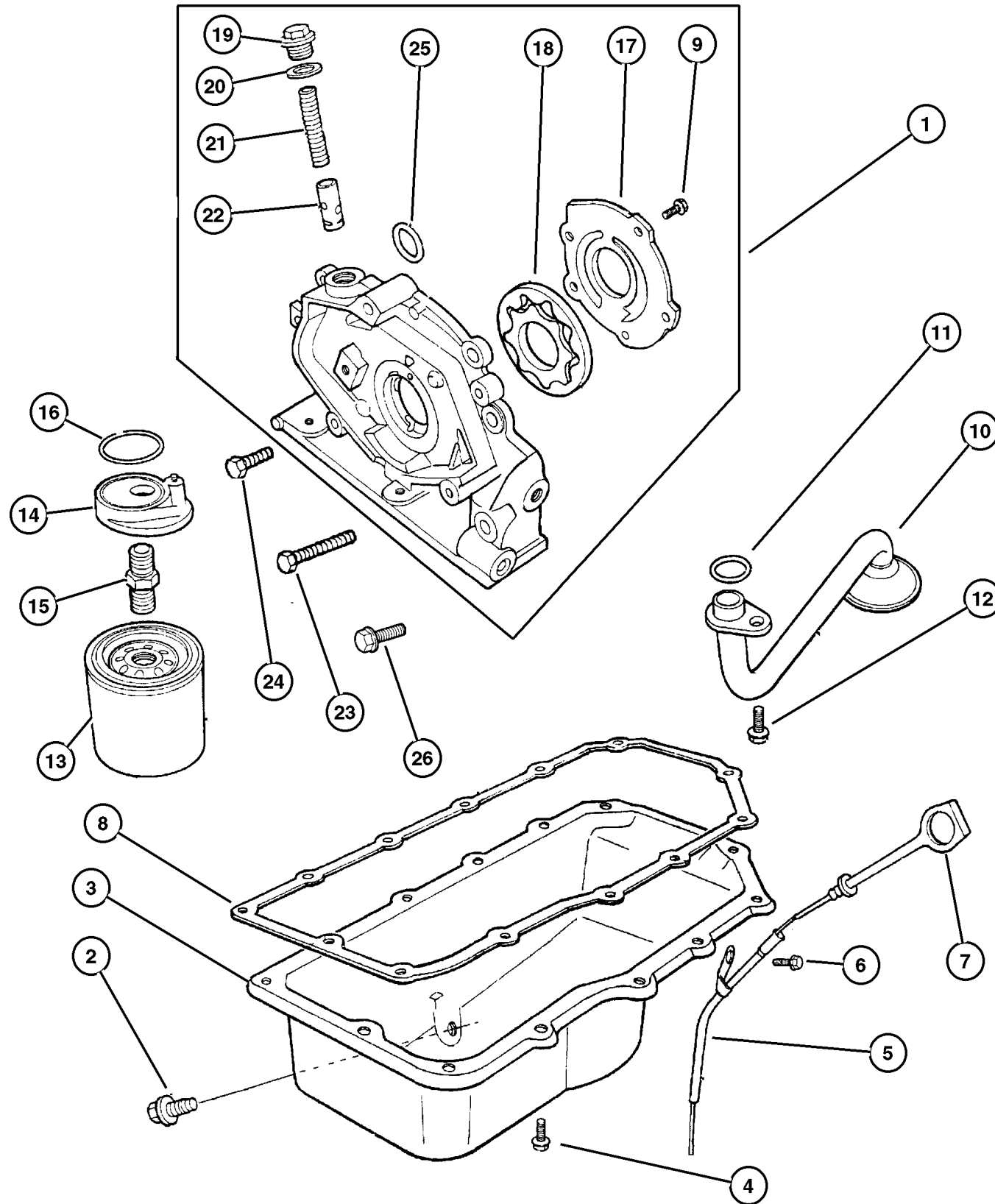
DODGE - CHRYSLER NEON (PL)

SERIES	LINE	BODY	ENGINE	TRANSMISSION
L=Low Line	Z= Chrysler, RHD	41 = 4 Door,	ECB = 2.0L 4 Cyl. , 16V SMPI	DD5 = 5 Speed Manual
H=High Line	D= Dodge	104WB	ECH = 2.0L 4 Cyl, 16V SOHC	DGL = 4 Speed Automatic
S = Special	C= Chrysler		EJD, EJ0 = 1.6L 4 Cyl 16v, SOHC	DG0 = All Automatics
P = Premium				DBB = All 5 Speed Manual
X = R/T				

AR = Use as required - = Non illustrated part # = New this model year

April 9, 2002

**Engine Oiling 2.0L (ECB,ECH)
Figure 2.0L-711**



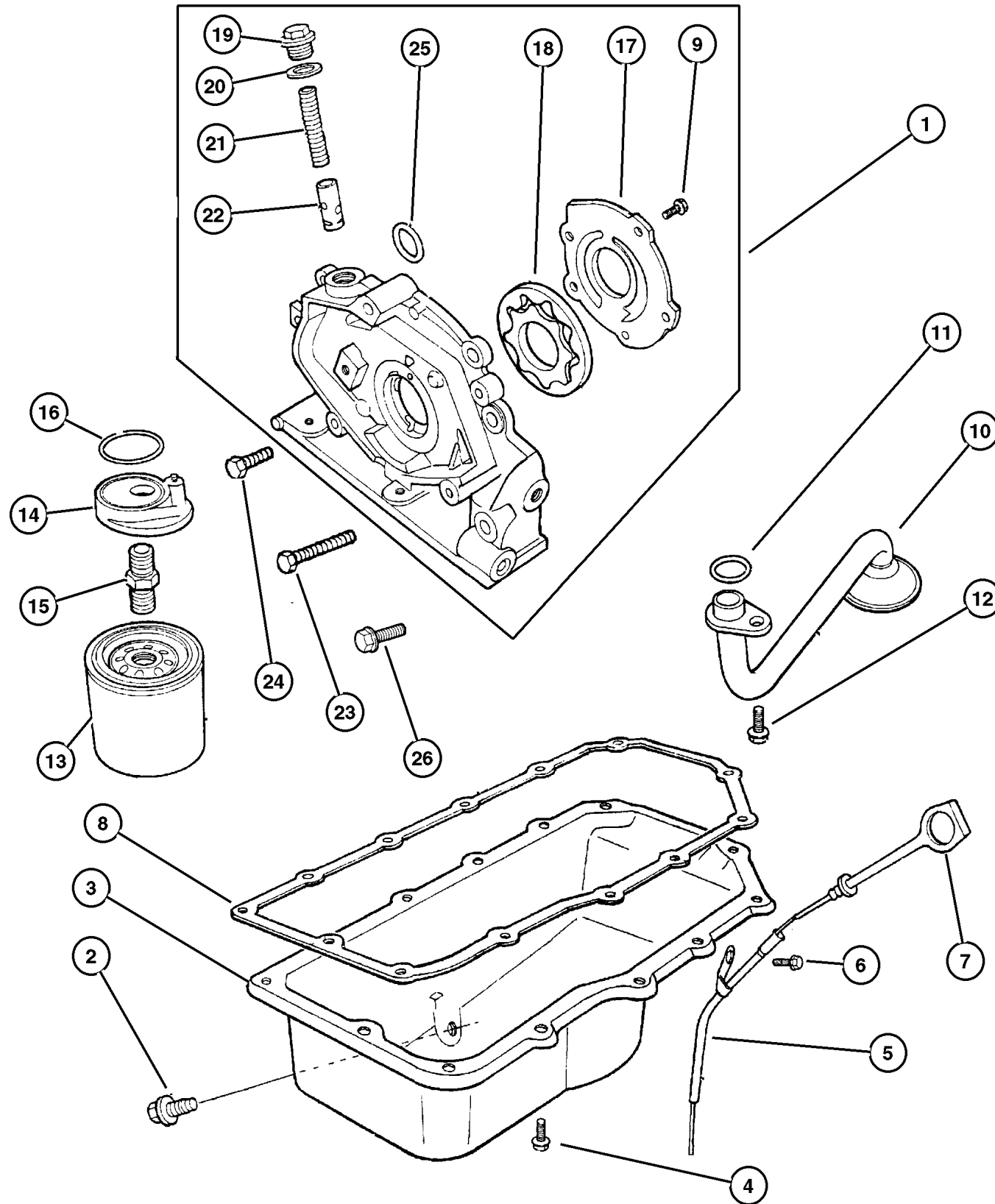
ITEM	PART NUMBER	QTY	LINE	ENGINE	TRANS	DESCRIPTION
NOTE: Sales Codes [ECB]=2.0L Engine [ECH]=2.0L R/T Engine						
1	#4667 884AB	1		ECB		PUMP, Engine Oil
2	6506 214AA	1		ECH		PLUG, Oil Drain
3	4777 300AB	1		ECB		PAN, Engine Oil
4	6101 451	13		ECB		SCREW AND WASHER, Hex Head, M6x1x25
5	4667 352	1		ECB		TUBE, Engine Oil Indicator
6	6500 399	1		ECB		BOLT, Hex Head, M10x1.5x20
7	4777 284	1		ECB		INDICATOR, Engine Oil Level
8	4556 666	1		ECB		GASKET, Oil Pan
9	6505 388AA	5		ECB		SCREW, Flange Head, M6x1x18
10	4777 252	1		ECB		TUBE, Oil Pickup
11	6032 920	1		ECB		SEAL, Oil Pick Up Tube
12	6500 070	1		ECB		SCREW AND WASHER, Hex Head, M8x1.25x25
13	4105 409	1		ECB		FILTER, Engine Oil

DODGE - CHRYSLER NEON (PL)
 SERIES LINE BODY ENGINE TRANSMISSION
 L=Low Line Z=Chrysler, RHD 41=4 Door, ECB=2.0L 4 Cyl., 16V SMPI DD5=5 Speed Manual
 H=High Line D=Dodge 104WB ECH=2.0L 4 Cyl, 16V SOHC DGL=4 Speed Automatic
 S=Special C=Chrysler EJD, EJO=1.6L 4 Cyl 16v, SOHC DG0=All Automatics
 P=Premium DBB=All 5 Speed Manual
 X=R/T

AR = Use as required - = Non illustrated part # = New this model year

April 9, 2002

**Engine Oiling 2.0L (ECB,ECH)
Figure 2.0L-711**



ITEM	PART NUMBER	QTY	LINE	ENGINE	TRANS	DESCRIPTION
		1		ECH		
14	4667 386	1		ECB		ADAPTER, Oil Filter
		1		ECH		
15	4667 301	1		ECB		CONNECTOR, Oil Filter Adapter
		1		ECH		
16	4777 425	1		ECB		O RING, Oil Filter Adapter
		1		ECH		
17	4556 669	1		ECB		COVER, Oil Pump Back
		1		ECH		
18	4761 538	1		ECB		ROTOR SET, Oil Pump
		1		ECH		
19	0618 621	1		ECB		CAP, Oil Pressure Relief Valve
		1		ECH		
20	4777 062	1		ECB		GASKET, Oil Pump Relief Valve
		1		ECH		
21	1737 744	1		ECB		SPRING, Oil Pressure Relief Valve
		1		ECH		
22	2843 208	1		ECB		PLUNGER, Oil Pressure Relief Valve
		1		ECH		
23	6503 257	2		ECB		BOLT, Hex Head, M8x1.25x37.50
		2		ECH		
24	6503 256	1		ECB		BOLT, Hex Flange Head, M6x1.0x40
		1		ECH		
25	4483 444AB	1		ECB		O RING, Front Cover Oil Inlet
		1		ECH		
26	6100 296	4		ECB		BOLT, Hex Head
		4		ECH		

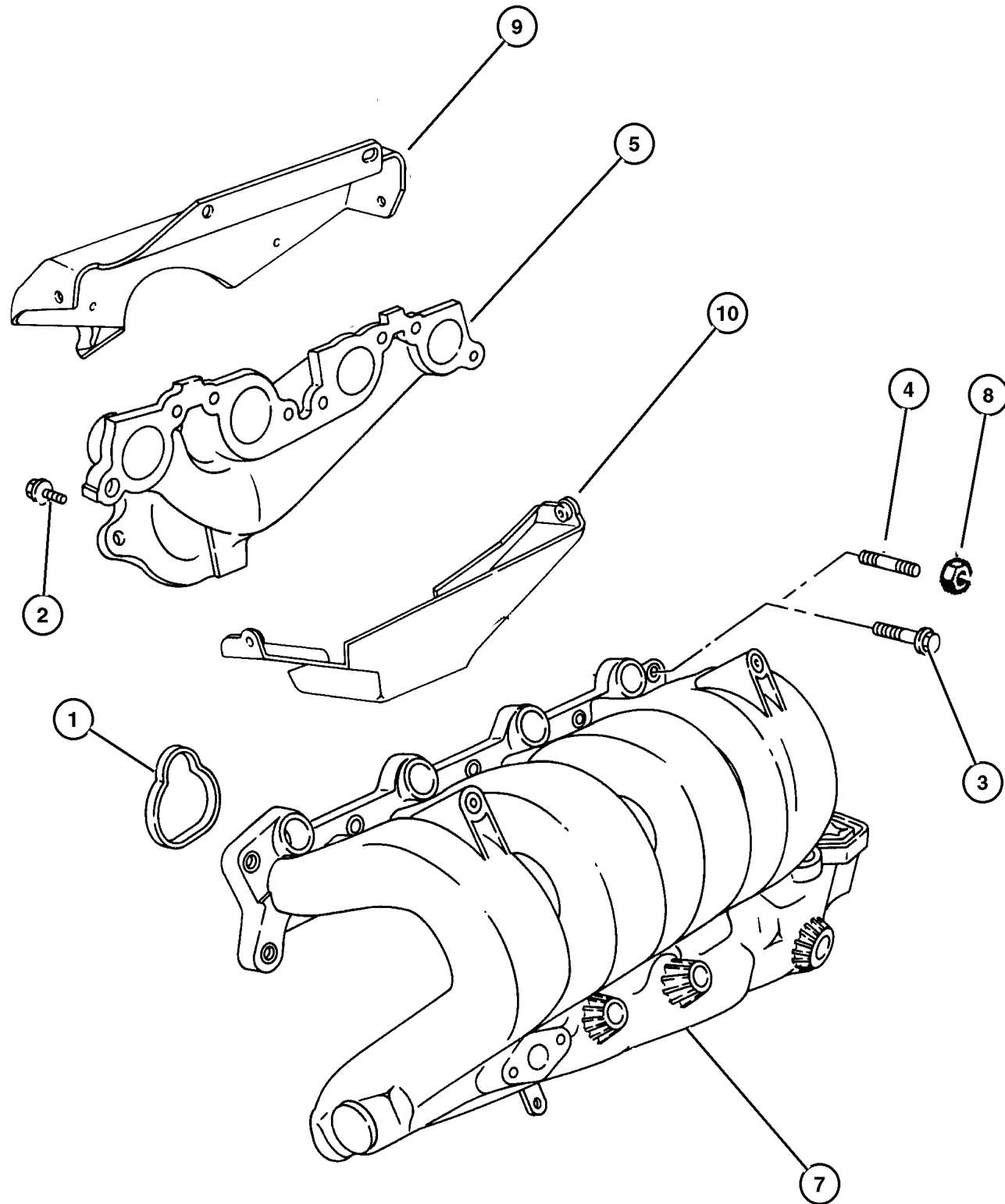
DODGE - CHRYSLER NEON (PL)

SERIES	LINE	BODY	ENGINE	TRANSMISSION
L=Low Line	Z= Chrysler, RHD	41 = 4 Door,	ECB = 2.0L 4 Cyl. , 16V SMPI	DD5 = 5 Speed Manual
H=High Line	D= Dodge	104WB	ECH = 2.0L 4 Cyl, 16V SOHC	DGL = 4 Speed Automatic
S = Special	C= Chrysler		EJD, EJO = 1.6L 4 Cyl 16v, SOHC	DG0 = All Automatics
P = Premium				DBB = All 5 Speed Manual
X = R/T				

AR = Use as required - = Non illustrated part # = New this model year

April 9, 2002

**Manifolds 2.0L (ECB,ECH)
Figure 2.0L-811**



ITEM	PART NUMBER	QTY	LINE	ENGINE	TRANS	DESCRIPTION
NOTE: Sales Codes						
[DGC]=3 Speed Auto Trans						
[ECB]=2.0L Engine						
[ECH]=2.0L R/T Engine						
[NAB]=Leaded Fuel						
[NBU]=Ultra Low Emissions						
1						GASKET, Intake Manifold
	4648 623AB	1		ECH		
	4777 895AA	4		ECB		
2						BOLT, Hex Flange Head, M8x1.25x30
	6503 131	8		ECH		
		8		ECB		
3	6505 756AA	5		ECB		BOLT, Hex Flange Head, M6x1.0x40
4						STUD
	6505 314AA	2		ECH		
		2		ECB		
5						MANIFOLD, Exhaust
	4884 070AA	1		ECH		
	4777 619AC	1		ECB		
-6						GASKET, Exhaust Manifold
	4884 089AB	1		ECH		
	4667 492	1		ECB		
7						MANIFOLD, Intake Runners
	4884 065AE	1		ECH		
	4777 379	1		ECB		
	5018 787AC	1		ECH		
8						LOCK NUT, M6x1.0x6, (NOT SERVICED)
9						SHIELD, Exhaust Manifold Upper
	4884 072AB	1		ECH		
	4777 497	1		ECB		
10						SHIELD, Exhaust Manifold Lower
	4884 075AA	1		ECH		
	4777 498	1		ECB		
-11						PLUG, Cylinder Block Oil Hole
	4556 018	2		ECH		
		2		ECB		
-12	4777 449AB	1		ECB		BRACKET, Intake Manifold
-13	6102 152AA	1		ECB		SCREW, Tapping Hex Flange Head, M6.3x1.81x20.00, Bending Strut to Intake Manifold
-14	4884 094AB	1		ECH		ACTUATOR, Manifold Tuning Valve
-15	6101 221	2		ECH		SCREW, Actuator Attaching

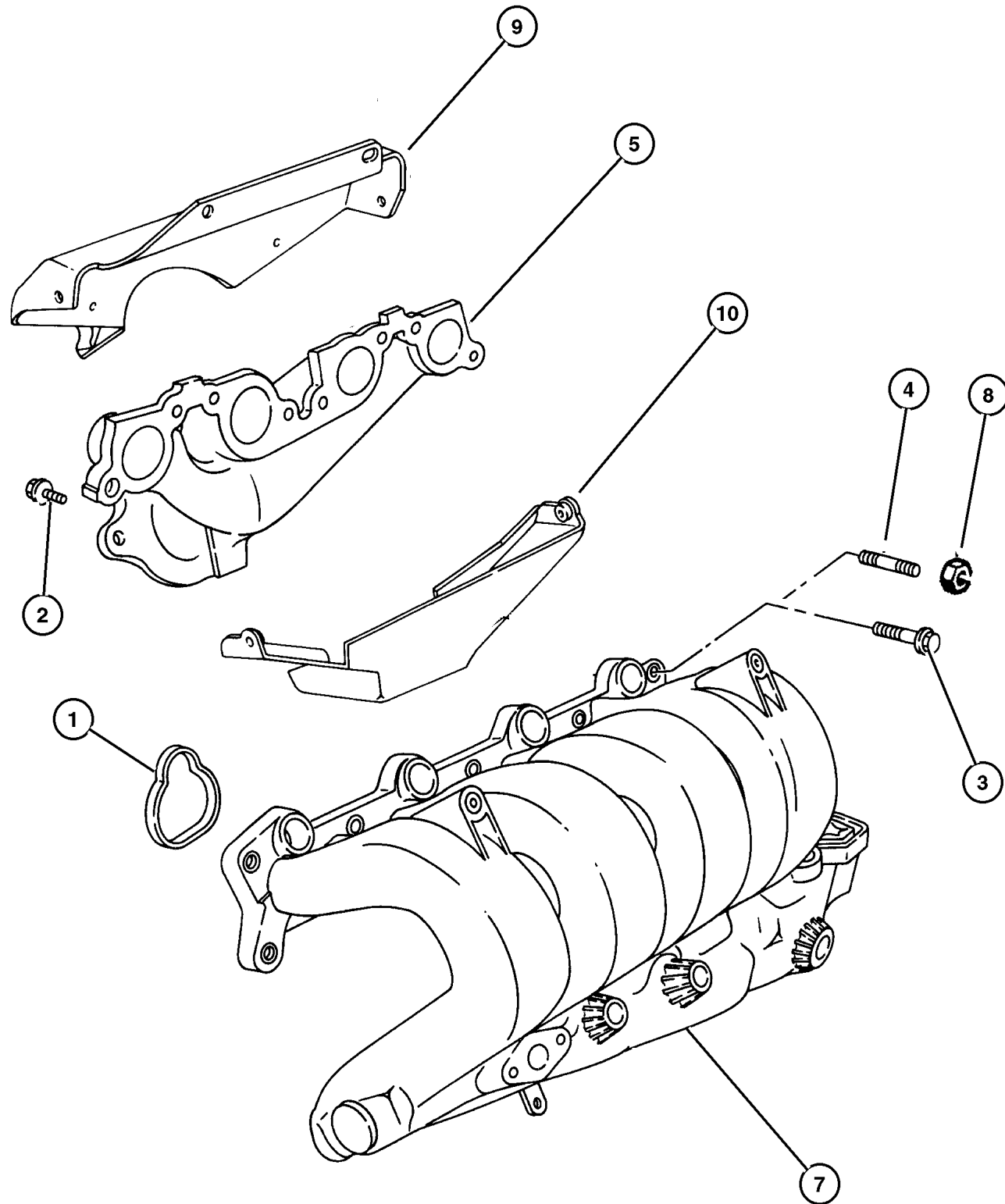
DODGE - CHRYSLER NEON (PL)

SERIES	LINE	BODY	ENGINE	TRANSMISSION
L=Low Line	Z= Chrysler, RHD	41 = 4 Door, 104WB	ECB = 2.0L 4 Cyl. , 16V SMPI	DD5 = 5 Speed Manual
H=High Line	D= Dodge		ECH = 2.0L 4 Cyl, 16V SOHC	DGL = 4 Speed Automatic
S = Special	C= Chrysler		EJD, EJ0 = 1.6L 4 Cyl 16v, SOHC	DG0 = All Automatics
P = Premium				DBB = All 5 Speed Manual
X = R/T				

AR = Use as required - = Non illustrated part # = New this model year

April 9, 2002

**Manifolds 2.0L (ECB,ECH)
Figure 2.0L-811**



ITEM	PART NUMBER	QTY	LINE	ENGINE	TRANS	DESCRIPTION
-16	6102 041AA	5		ECH		SCREW, Runner to Plenum-Int Attaching
-17	4884 067AB	1		ECH		GASKET, Intake Plenum
-18	6506 575AA	6		ECH		SCREW, Intake Manifold To Cylinder Head
-19	6505 926AA	1		ECH		BOLT, Hex Head Exhaust Manifold
		4		ECB		Exhaust Manifold
-20	6503 767	3		ECH		BOLT, Hex Head, M8x1.25x35, Exhaust Manifold

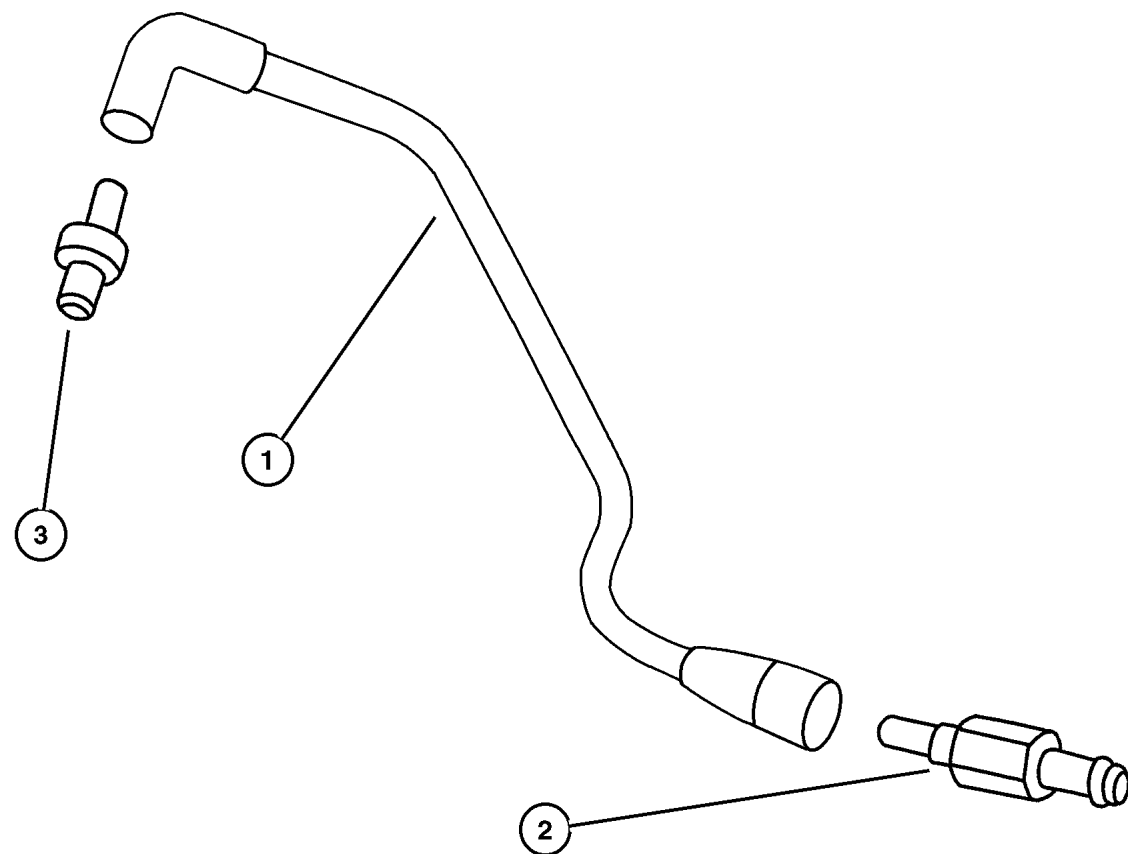
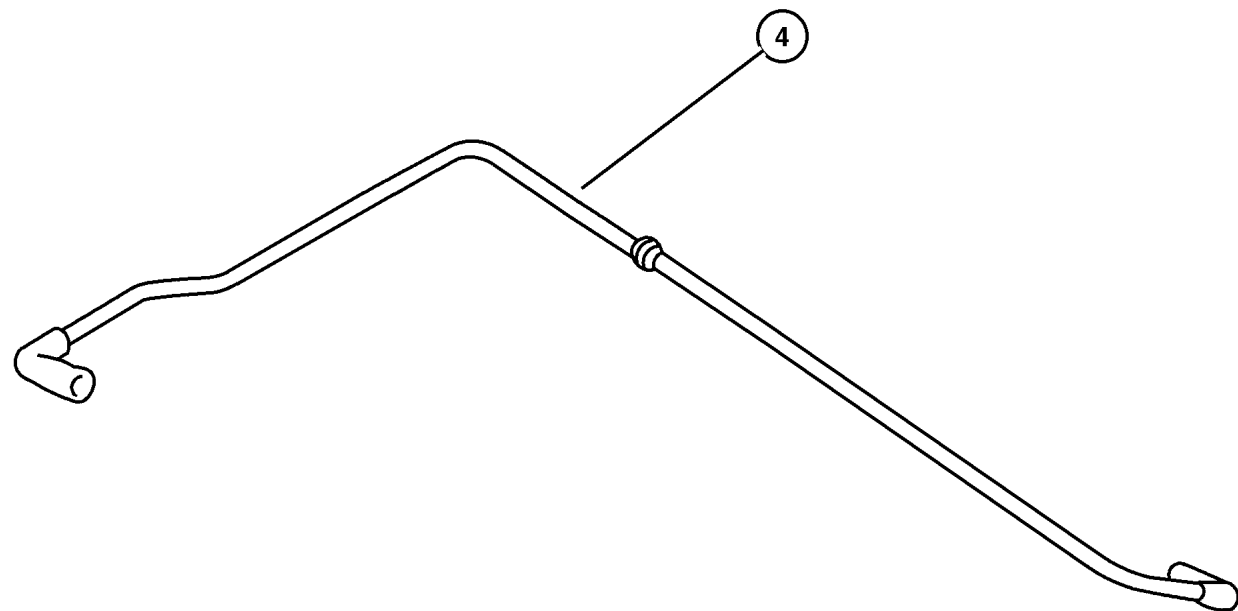
DODGE - CHRYSLER NEON (PL)

SERIES	LINE	BODY	ENGINE	TRANSMISSION
L=Low Line	Z= Chrysler, RHD	41 = 4 Door,	ECB = 2.0L 4 Cyl. , 16V SMPI	DD5 = 5 Speed Manual
H=High Line	D= Dodge	104WB	ECH = 2.0L 4 Cyl, 16V SOHC	DGL = 4 Speed Automatic
S = Special	C= Chrysler		EJD, EJ0 = 1.6L 4 Cyl 16v, SOHC	DG0 = All Automatics
P = Premium				DBB = All 5 Speed Manual
X = R/T				

AR = Use as required - = Non illustrated part # = New this model year

April 9, 2002

**Crankcase Ventilation 2.0L (ECB,ECH)
Figure 2.0L-911**



ITEM	PART NUMBER	QTY	LINE	ENGINE	TRANS	DESCRIPTION
NOTE: Sales Codes						
[EBD]=1.8L Engine						
[ECB]=2.0L Engine						
[ECH]=2.0L R/T Engine						
1						HOSE, Polution Control Valve
	4777 501AB	1		ECB		
	4884 082AC	1		ECH		
2						VALVE, PCV
	4777 240AD	1		ECH		
		1		ECB		
3	4884 040AA	1		ECB, ECH		RESTRICTOR, PCV
4	4667 989AC	1		ECB, ECH		HOSE, Make Up Air

DODGE - CHRYSLER NEON (PL)				
SERIES	LINE	BODY	ENGINE	TRANSMISSION
L=Low Line	Z= Chrysler, RHD	41 = 4 Door,	ECB = 2.0L 4 Cyl. , 16V SMPI	DD5 = 5 Speed Manual
H=High Line	D= Dodge	104WB	ECH = 2.0L 4 Cyl, 16V SOHC	DGL = 4 Speed Automatic
S = Special	C= Chrysler		EJD, EJ0 = 1.6L 4 Cyl 16v, SOHC	DG0 = All Automatics
P = Premium				DBB = All 5 Speed Manual
X = R/T				

AR = Use as required - = Non illustrated part # = New this model year

April 9, 2002

Group – 011

Exhaust

GROUP 11 - Exhaust

Illustration Title

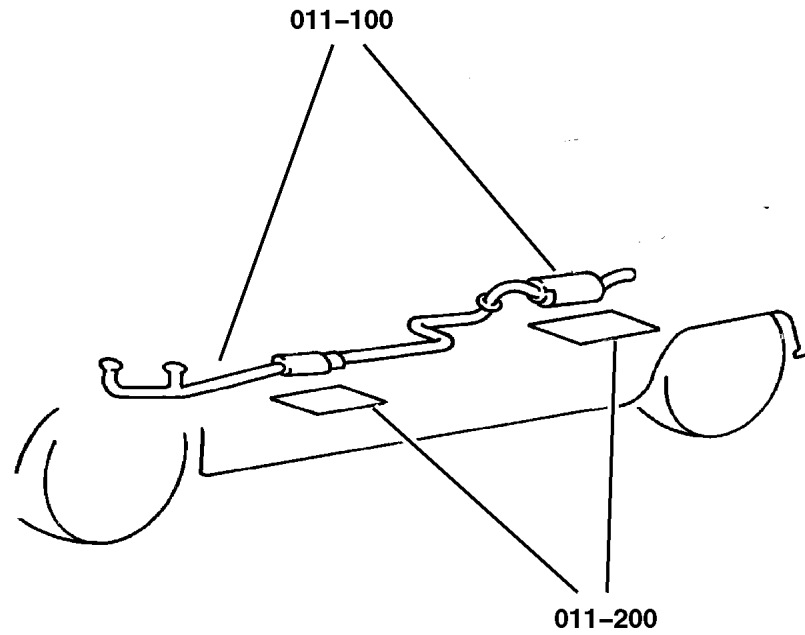
Group-Fig. No.

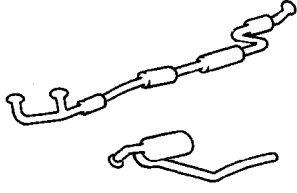
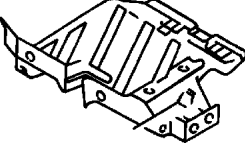
Exhaust System

Exhaust System Fig. 011-110

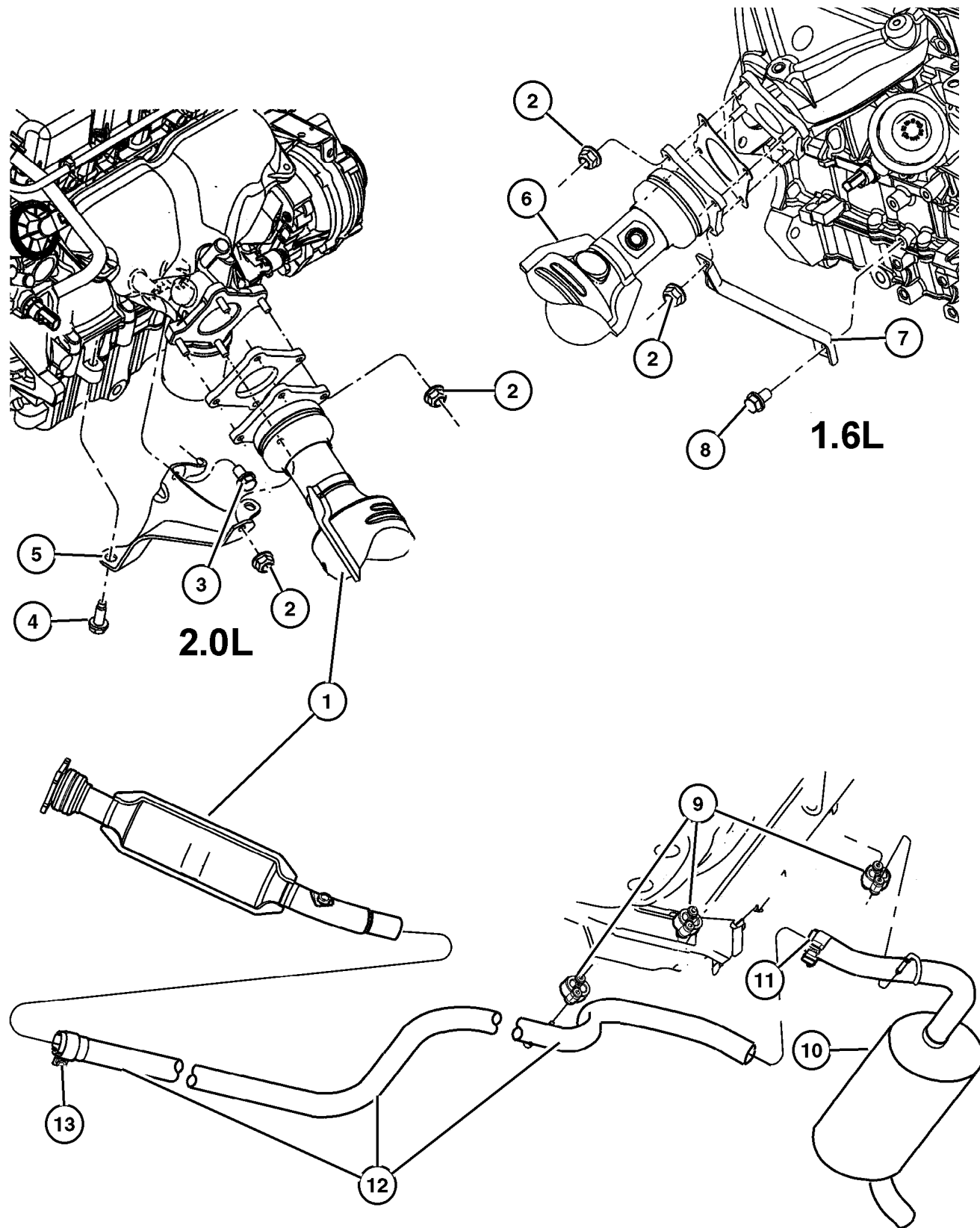
Heat Shields

Exhaust Shields Fig. 011-210



<p>011-100 Exhaust System</p> 	<p>011-200 Heat Shields</p> 		
--	--	--	--

Exhaust System Figure 011-110



ITEM	PART NUMBER	QTY	LINE	SERIES	BODY	ENGINE	TRANS	DESCRIPTION
NOTES: Sales Codes								
[ECB] = 2.0L 4 Cylinder SOHC 16V SMPI Engine								
[ECH] = 2.0L 4 Cylinder SOHC 16V Hi Performance Engine								
[EJD] = 1.6L 4 Cylinder SOHC 16V SMPI Engine								
[NAA]= Federal Emissions								
[NAS]= U.S. 50 State								
[NA1]= Export Emissions								
[NA3] = European III Emissions								
1								CONVERTER, Catalytic
	4546 942AG	1				ECB		
	5278 126AH	1				ECB		Up to 11/14/01 Low Emission Vehicle
	#5278 126AI	1				ECB		After 11/14/01
	5278 622AC	1				ECH		
	5278 504AA	1				EJD		
2								NUT, Hex Flange Lock M8X1.25
	6100 517	4				EJD		
		4				ECB,		
						ECH		
3								SCREW
	6101 496	1				ECH		M10X1.50X20.00
		1				ECB		M10X1.50X20.00
4								SCREW
	6507 044AA	1				ECH		M10X1.50X35.00
		1				ECB		M10X1.50X35.00
5								STRUT, Exhaust Manifold
	4884 090AB	1				ECH		
	4884 090AC	1				ECB		
6	5278 504AD	1				EJD		CONVERTER, Catalytic
7	4693 233AB	1				EJD		BRACKET, Exhaust Manifold
8	6101 452	1				EJD		SCREW AND WASHER, Hex Head, M8x1.25x20, M8X1.25X20.00
9	5278 115AA	3						ISOLATOR, Exhaust Support
10								MUFFLER, Exhaust
	4546 968	1				ECB		
	5278 624AE	1				ECH		
	5278 940AA	1				EJD		
11	5278 304AA	1				EJD		CLAMP, Exhaust, 2 inch Diameter
12								PIPE, Exhaust Extension
	4546 975AF	1				ECB		
	5278 623AC	1				ECH		
	5278 831AC	1				EJD		Resonator
13								CLAMP, Exhaust

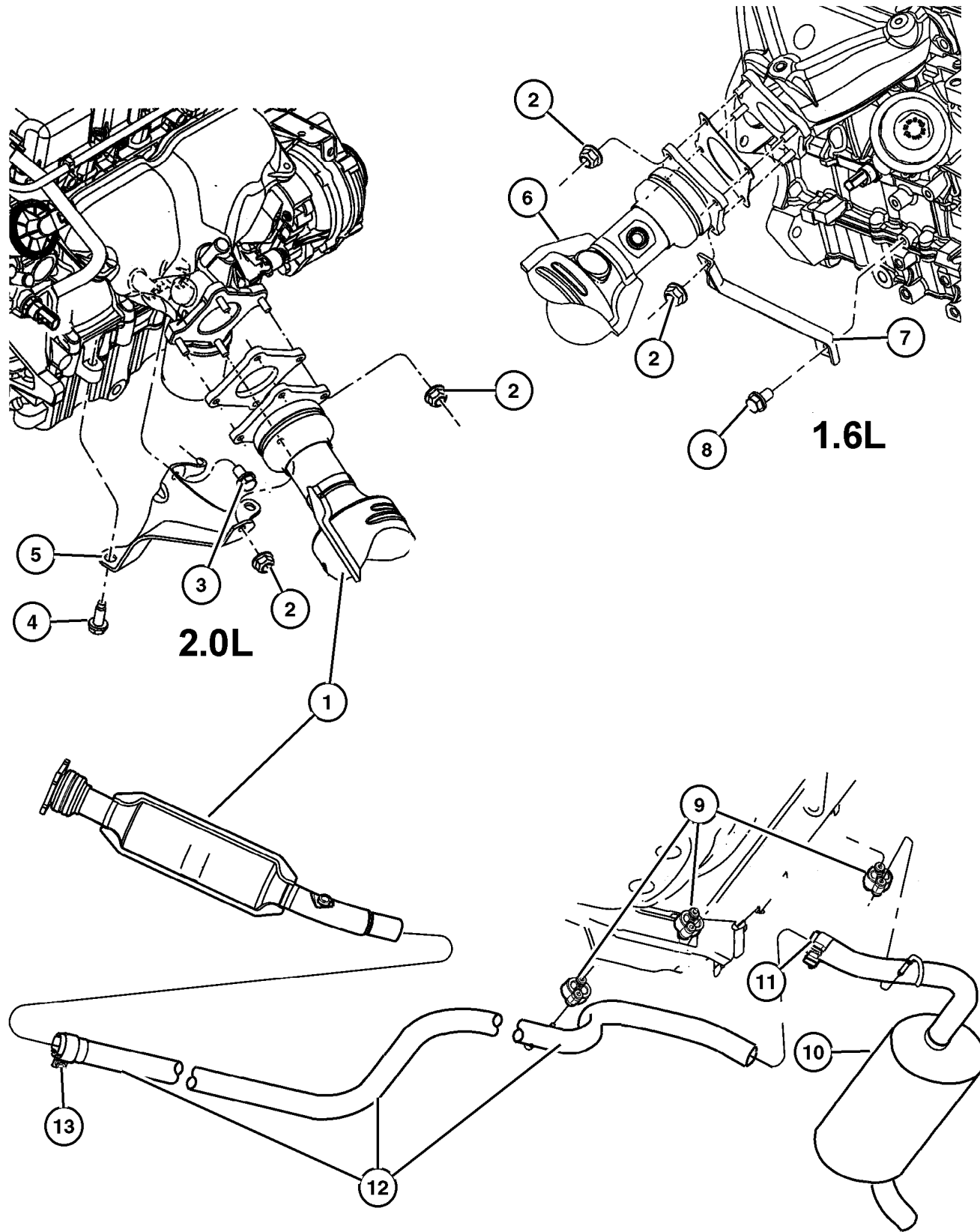
DODGE - CHRYSLER NEON (PL)

SERIES	LINE	BODY	ENGINE	TRANSMISSION
L=Low Line	Z= Chrysler, RHD	41 = 4 Door,	ECB = 2.0L 4 Cyl. , 16V SMPI	DD5 = 5 Speed Manual
H=High Line	D= Dodge	104WB	ECH = 2.0L 4 Cyl, 16V SOHC	DGL = 4 Speed Automatic
S = Special	C= Chrysler		EJD, EJO = 1.6L 4 Cyl 16v, SOHC	DG0 = All Automatics
P = Premium				DBB = All 5 Speed Manual
X = R/T				

AR = Use as required - = Non illustrated part # = New this model year

April 9, 2002

Exhaust System Figure 011-110



ITEM	PART NUMBER	QTY	LINE	SERIES	BODY	ENGINE	TRANS	DESCRIPTION
	4695 220AB	1				ECH		57.2MM
		1				ECB		57.2MM

DODGE - CHRYSLER NEON (PL)

SERIES	LINE	BODY	ENGINE	TRANSMISSION
L=Low Line	Z= Chrysler, RHD	41 = 4 Door,	ECB = 2.0L 4 Cyl. , 16V SMPI	DD5 = 5 Speed Manual
H=High Line	D= Dodge	104WB	ECH = 2.0L 4 Cyl, 16V SOHC	DGL = 4 Speed Automatic
S = Special	C= Chrysler		EJD, EJO = 1.6L 4 Cyl 16v, SOHC	DG0 = All Automatics
P = Premium				DBB = All 5 Speed Manual
X = R/T				

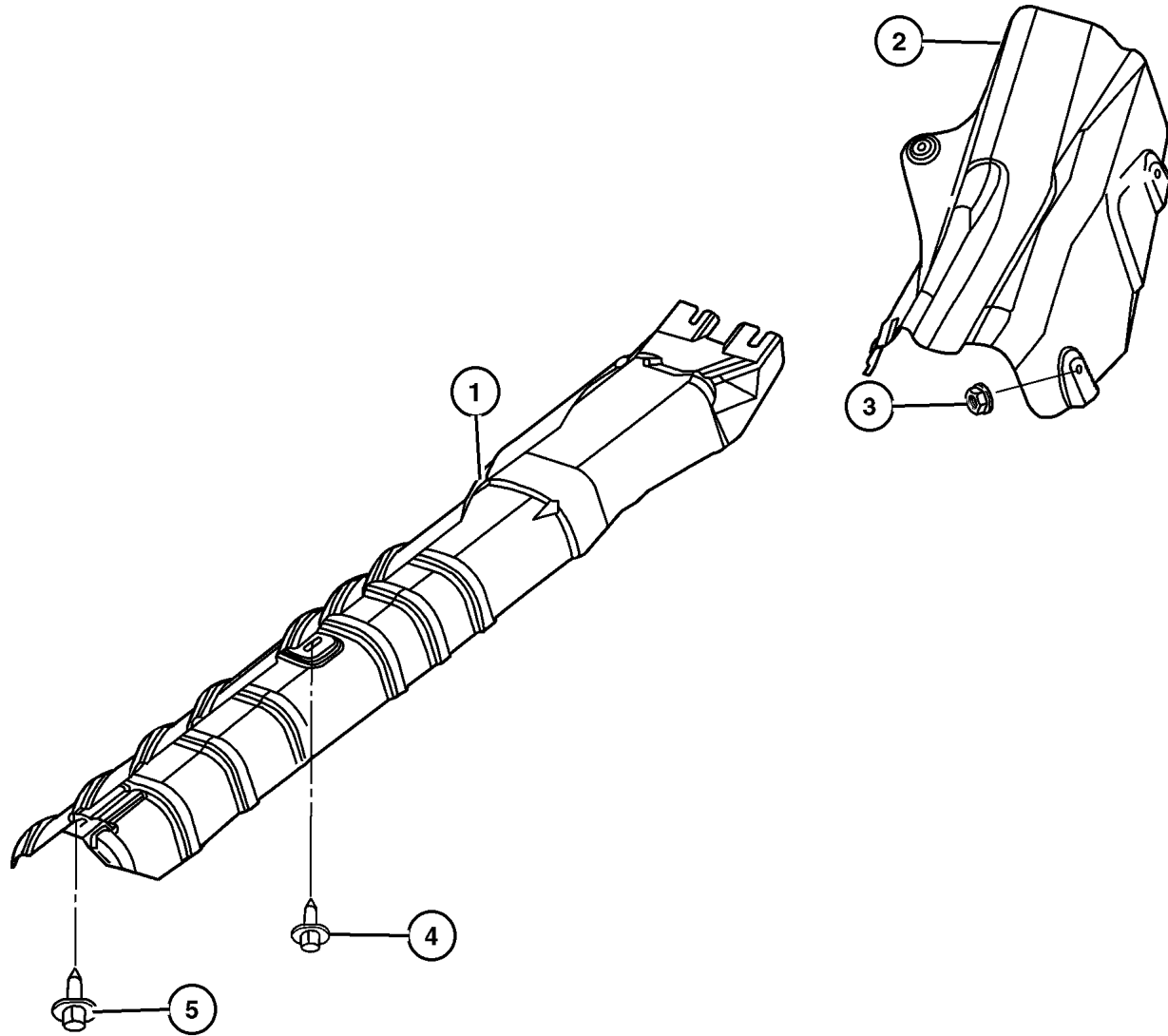
AR = Use as required - = Non illustrated part # = New this model year

April 9, 2002

Exhaust Shields

Figure 011-210

ITEM	PART NUMBER	QTY	LINE	SERIES	BODY	ENGINE	TRANS	DESCRIPTION
1	5278 888AA	1						SHIELD, Underbody Heat
2	5278 046AB	1						SHIELD, Converter Underbody
3	6503 908	4				ECB		NUT, Heat Shield Attach, M5x1.60
4	6503 259	1						SCREW, Tapping, M6x1x20
5	6034 716	1						SCREW AND WASHER, Hex Flange Head, .25-14x.875



DODGE - CHRYSLER NEON (PL)

SERIES	LINE	BODY	ENGINE	TRANSMISSION
L=Low Line	Z= Chrysler, RHD	41 = 4 Door,	ECB = 2.0L 4 Cyl. , 16V SMPI	DD5 = 5 Speed Manual
H=High Line	D= Dodge	104WB	ECH = 2.0L 4 Cyl, 16V SOHC	DGL = 4 Speed Automatic
S = Special	C= Chrysler		EJD, EJ0 = 1.6L 4 Cyl 16v, SOHC	DG0 = All Automatics
P = Premium				DBB = All 5 Speed Manual
X = R/T				

AR = Use as required - = Non illustrated part # = New this model year

April 9, 2002

Group – 013

Frames and Bumpers

GROUP 13 - Frames and Bumpers

Illustration Title

Group-Fig. No.

Frames

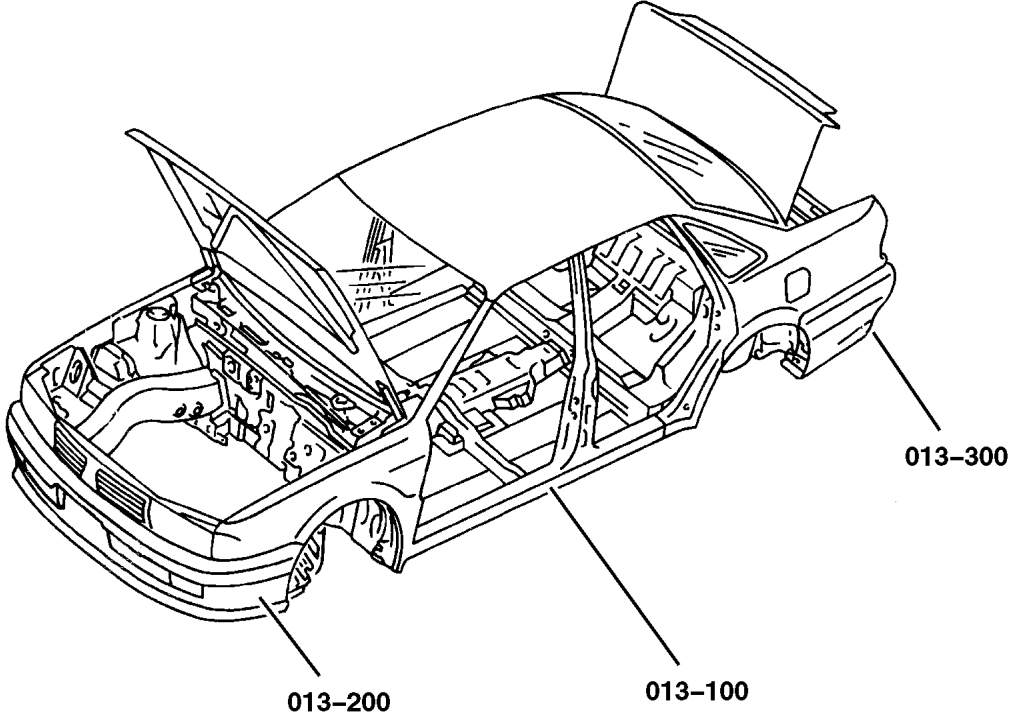
- Frame, Front Fig. 013-105
- Frame, Rear Fig. 013-135

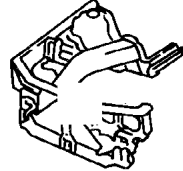
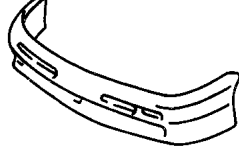

Front Bumper and Fascia

- Fascia, Front Fig. 013-205

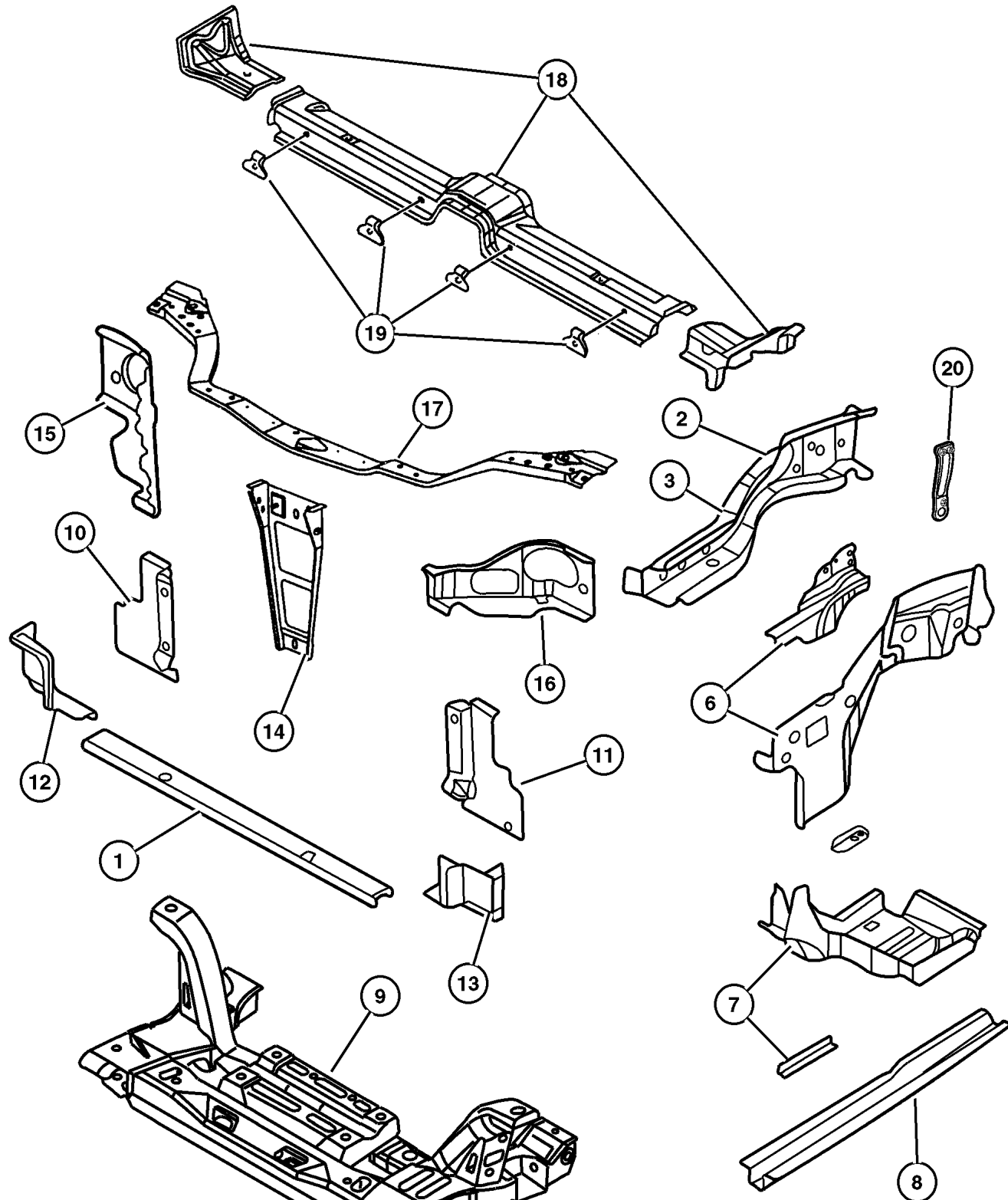
Rear Bumper and Fascia

- Fascia, Rear Fig. 013-305



<p>013-100 Frames</p> 	<p>013-200 Front Bumper and Fascia</p> 	<p>013-300 Rear Bumper and Fascia</p> 	
--	---	---	--

Frame, Front
Figure 013-105



ITEM	PART NUMBER	QTY	LINE	SERIES	BODY	DESCRIPTION
1	4783 295AE	1				CROSSMEMBER, Front Side Rail
2	5017 066AC	1				RAIL, Front Right
3	5017 067AC	1				RAIL, Front Left
-4	6506 038AA	2				SCREW, Hex Head, Crossmember to Side Rail, Front
-5	6505 595AA	2				NUT, M14X2, Front Crossmember Attaching
6						REINFORCEMENT, Side Rail
	4783 288AH	1				Right
	4783 289AH	1				Left
7						RAIL, Front Side Rail Rear
	4888 956AE	1				Right
	4888 957AE	1				Left
8	4783 490AB	2				EXTENSION, Front Side Rail
9	5272 341AB	1				CROSSMEMBER, Front Suspension
10	4783 350AE	1				PANEL, Radiator Closure, Lower, Right, Right
11	4783 351AE	1				PANEL, Radiator Closure, Lower, Left, Left
12	4783 482AB	1				BRACE, Radiator Crossmember, Right, Right
13	4783 483AB	1				BRACE, Radiator Crossmember, Left, Left
14	4783 465	1				SUPPORT, Radiator Closure Panel
15	4783 348AH	1				PANEL, Radiator Closure, Upper, Right, Upper Right
16	4783 349AG	1				PANEL, Radiator Closure, Upper, Left, Upper Left
17	4783 466AG	1				CROSSMEMBER, Radiator Closure Panel
18	5066 345AA	1				CROSSMEMBER, Front Floor, Includes Tapping Plates
19	4655 601	4				TAPPING PLATE
20	4888 915AB	1				BRACKET, Towing
-21	6101 462	1				SCREW AND WASHER, Hex Head, M8x1.25x30, Bracket to Rail

DODGE - CHRYSLER NEON (PL)

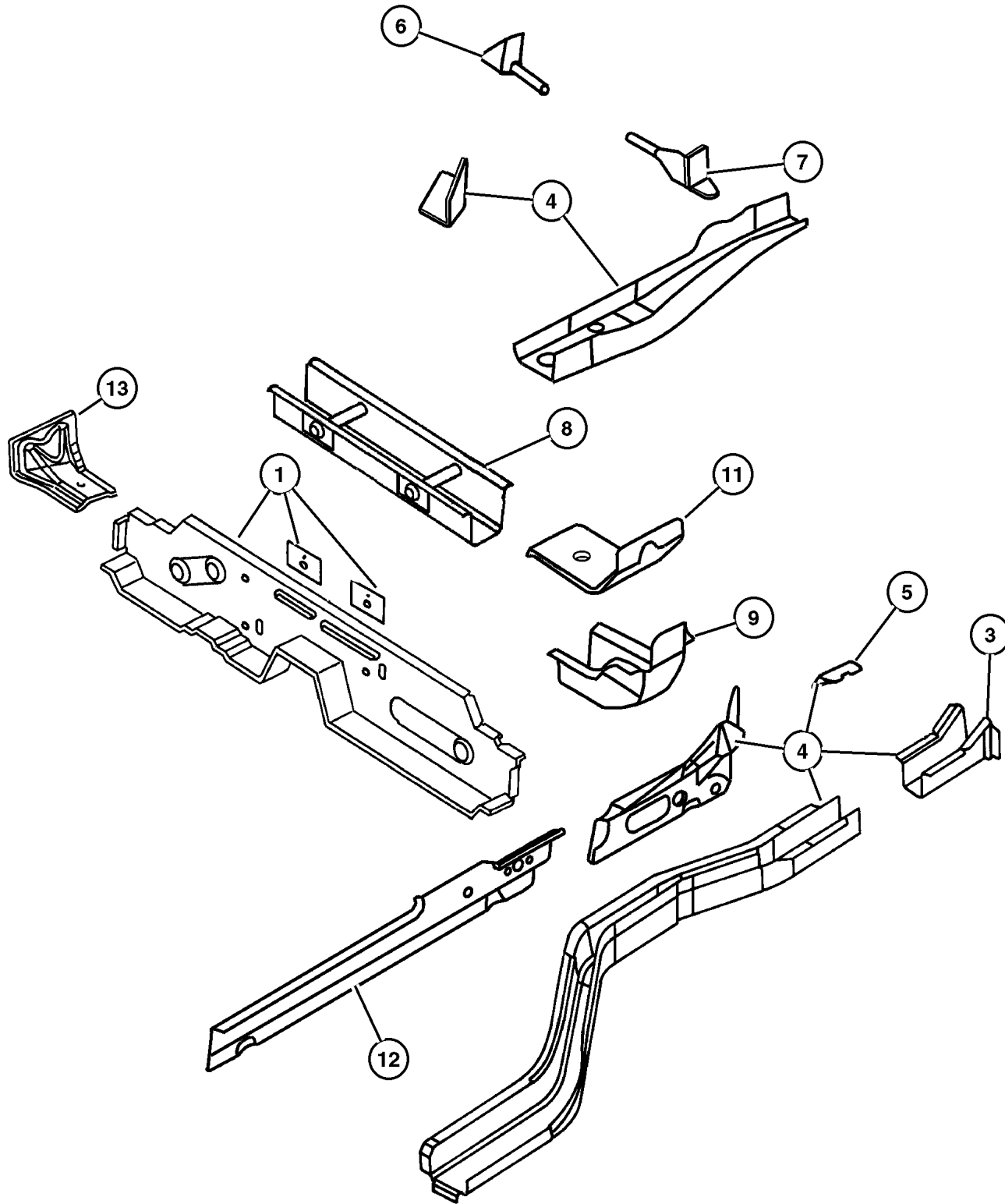
SERIES	LINE	BODY	ENGINE	TRANSMISSION
L=Low Line	Z= Chrysler, RHD	41 = 4 Door,	ECB = 2.0L 4 Cyl. , 16V SMPI	DD5 = 5 Speed Manual
H=High Line	D= Dodge	104WB	ECH = 2.0L 4 Cyl, 16V SOHC	DGL = 4 Speed Automatic
S = Special	C= Chrysler		EJD, EJO = 1.6L 4 Cyl 16v, SOHC	DG0 = All Automatics
P = Premium				DBB = All 5 Speed Manual
X = R/T				

AR = Use as required - = Non illustrated part # = New this model year

April 9, 2002

Frame, Rear
Figure 013-135

ITEM	PART NUMBER	QTY	LINE	SERIES	BODY	DESCRIPTION
1	5014 458AD	1				CROSSMEMBER, Rear Floor
-2						CROSSMEMBER, Front Seat Retention, Serviced in Floor Pan Assembly, (NOT SERVICED)
3						REINFORCEMENT, Bumper
	4888 610AB	1				Right
	4888 611AB	1				Left
4						RAIL PACKAGE, Rear Floor Pan Side
	5019 776AA	1				Right
	5019 777AA	1				Left
5	5008 301AA	2				PLATE, Tapping
6						BRACKET, Exhaust Hanger
	4783 612AC	1				Rear, Right
	4783 613	1				Rear, Left
7	4783 615AC	1				BRACKET, Exhaust Hanger, Front
8	4783 316AC	1				CROSSMEMBER, Rear Suspension
9	4783 361	2				CROSSMEMBER, Rear Suspension, Outer
-10	4783 608AB	1				PLATE, Towing
11	4888 624AA	2				PLATE, Crossmember to Rail
12						SILL, Body Side
	5066 464AA	1				Right
	5066 465AA	1				Left
13						BRACE, Floor Pan To Sill
	4783 740	1				Right
	4783 741	1				Left
-14						BOLT, M10-1.50x105, Rear Bracket to Rail Attaching EXPORT, (NOT SERVICED)



DODGE - CHRYSLER NEON (PL)

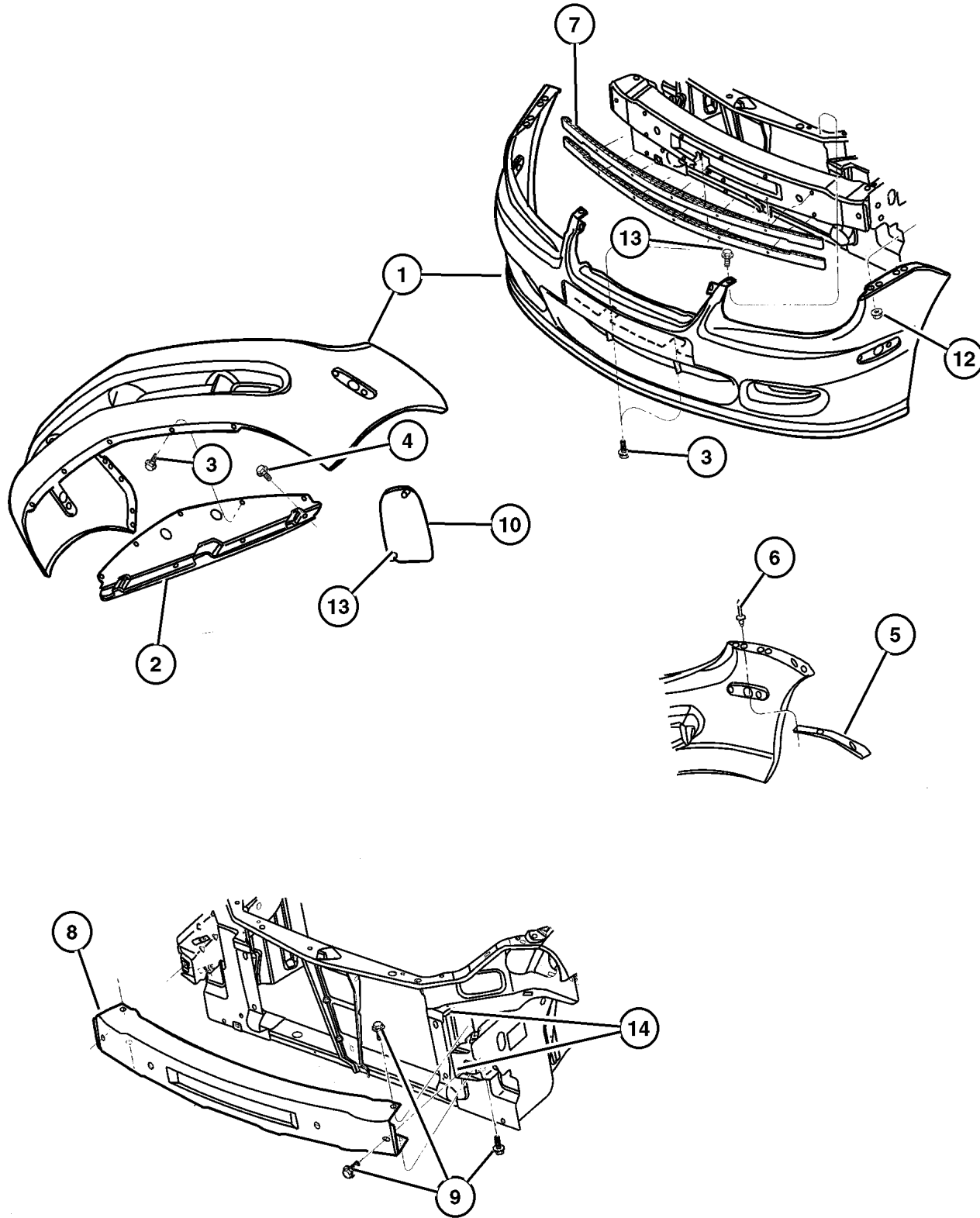
SERIES	LINE	BODY	ENGINE	TRANSMISSION
L=Low Line	Z= Chrysler, RHD	41 = 4 Door,	ECB = 2.0L 4 Cyl. , 16V SMPI	DD5 = 5 Speed Manual
H=High Line	D= Dodge	104WB	ECH = 2.0L 4 Cyl, 16V SOHC	DGL = 4 Speed Automatic
S = Special	C= Chrysler		EJD, EJ0 = 1.6L 4 Cyl 16v, SOHC	DG0 = All Automatics
P = Premium				DBB = All 5 Speed Manual
X = R/T				

AR = Use as required - = Non illustrated part # = New this model year

April 9, 2002

Fascia, Front
Figure 013-205

ITEM	PART NUMBER	QTY	LINE	SERIES	BODY	DESCRIPTION
NOTE: Sales Codes:						
[ACR] = COMPETITION GROUP						
[ASJ] = R/T GROUP						
[LMU] = LAMPS - SIDE MARKER, FRONT						
[MLD] = FASCIA - MOLDED-IN-COLOR, FRONT						
[MLU] = FASCIA - FRONT, BODY COLOR						
[MLW] = FASCIA - FRONT W/WIDE LICENSE POCKET						
[MLX] = FASCIA - FRONT, PAINTED						
[MLZ] = FASCIA - FRONT W/WIDE LICENSE POCKET						
1						FASCIA, Front, Primed
	5018 992AA	1				[MLZ]
	5018 993AA	1				[MLZ,LMU]
	#5080 884AA	1				[MLU]
	#5080 883AA	1				[MLU,LMU]
2	5288 555AB	1				AIR DAM
3						SCREW, M4.8X1.59X16.00, (NOT SERVICED)
4	6505 529AA	4				SCREW, Hex Flange Head Tapping, M6.3 x 1.81 x 22.5
5						RETAINER, Fascia
	5288 560AC	1				Right
	5288 561AC	1				Left
6	6035 414	4				RIVET, Blind, .12x.47
7						FOAM, Front Bumper Fascia
	5303 416AC	2				EXPORT
	5303 478AB	1				
8	5303 414AD	1				REINFORCEMENT, Front Bumper
9	6506 782AA	6				SCREW AND WASHER, Hex Head, M8x1.25x35
10						PLUG, Front Fascia
	5288 834AA	1				Right
	5288 835AA	1				Left
-11						BRACKET, License Plate
	55155 764AB	1				Japan
	TH45 DX9AB	1				Attaching parts
12	6100 048	6				NUT, Hex, M6x1.00
13	6101 969	2				SCREW
14	6101 283	6				U-NUT, M8x1.25



DODGE - CHRYSLER NEON (PL)

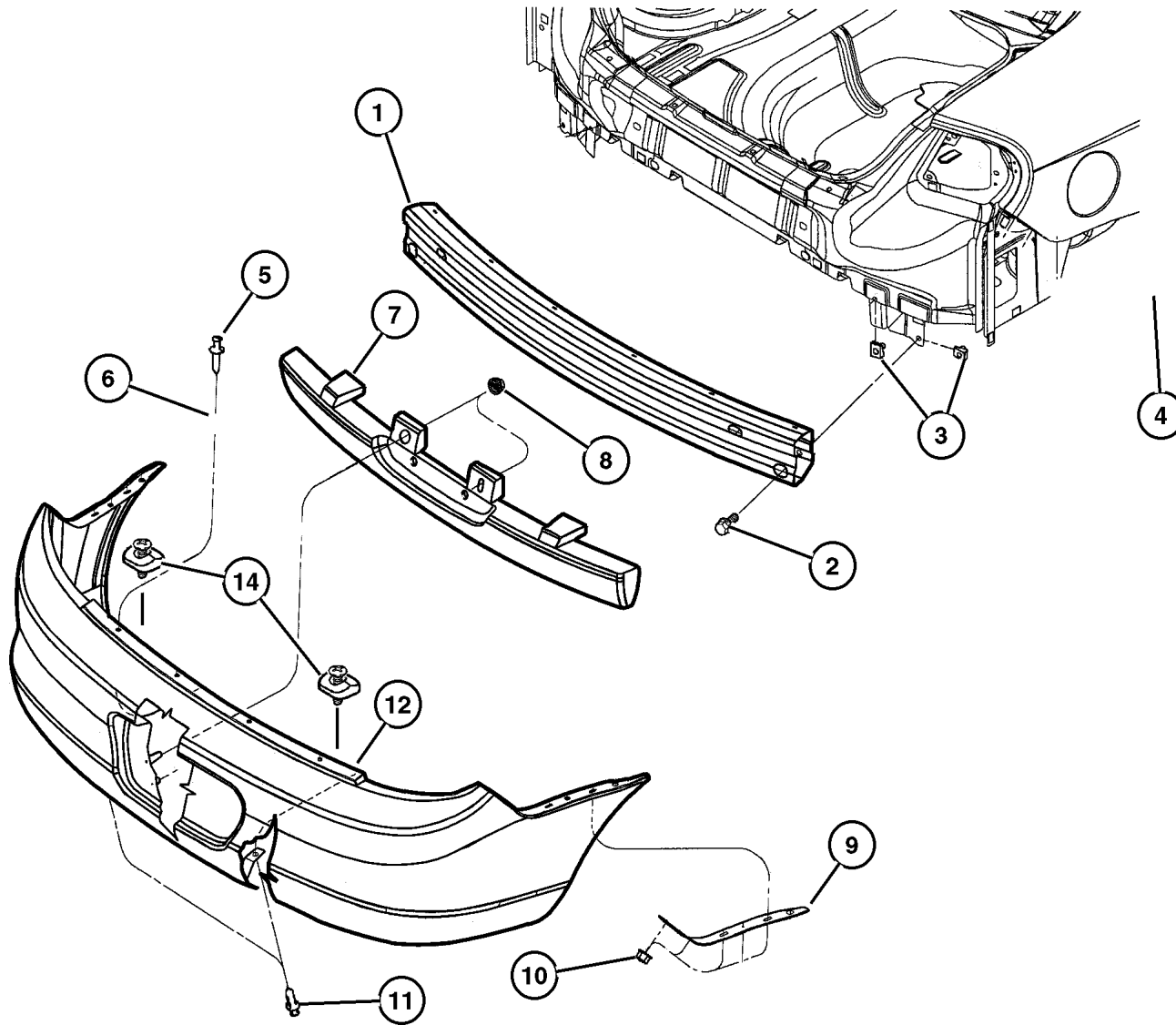
SERIES	LINE	BODY	ENGINE	TRANSMISSION
L=Low Line	Z= Chrysler, RHD	41 = 4 Door,	ECB = 2.0L 4 Cyl. , 16V SMPI	DD5 = 5 Speed Manual
H=High Line	D= Dodge	104WB	ECH = 2.0L 4 Cyl, 16V SOHC	DGL = 4 Speed Automatic
S = Special	C= Chrysler		EJD, EJ0 = 1.6L 4 Cyl 16v, SOHC	DG0 = All Automatics
P = Premium				DBB = All 5 Speed Manual
X = R/T				

AR = Use as required - = Non illustrated part # = New this model year

April 9, 2002

Fascia, Rear
Figure 013-305

ITEM	PART NUMBER	QTY	LINE	SERIES	BODY	DESCRIPTION
1	5288 566	1				REINFORCEMENT, Rear Bumper
2	6101 804	4				SCREW AND WASHER, Hex Head, M8x1.25x30
3	6101 283	6				U-NUT, M8x1.25
4	6035 414	4				RIVET, Blind, .12x.47
5	6036 401AA	2				SCREW, .250-14x.875
6						NUT, (NOT SERVICED)
7	5288 570	1				FOAM AND TAPE, Fascia
8	6035 342	2				NUT/SPRING, Push On, ID .315 OD 1.375 THK .017
9						RETAINER, Fascia
	5288 568AC	1				Right
	5288 569AC	1				Left
10	6100 048	2				NUT, Hex, M6x1.00
11	6030 441	2				PIN, Retainer
12						FASCIA, Rear, Primed
	5012 901AD	1				Without Bright Exhaust Tip
	5018 994AA	1				With Bright Exhaust Tip
	5012 902AD	1				EXPORT
	5018 995AA	1				EXPORT, With Bright Exhaust Tip
-13	4278 178	16				TAPE, Hole Cover, 50x50x1 mm
14	5008 374AB	2				BUMPER, Deck Lid Overslam



DODGE - CHRYSLER NEON (PL)

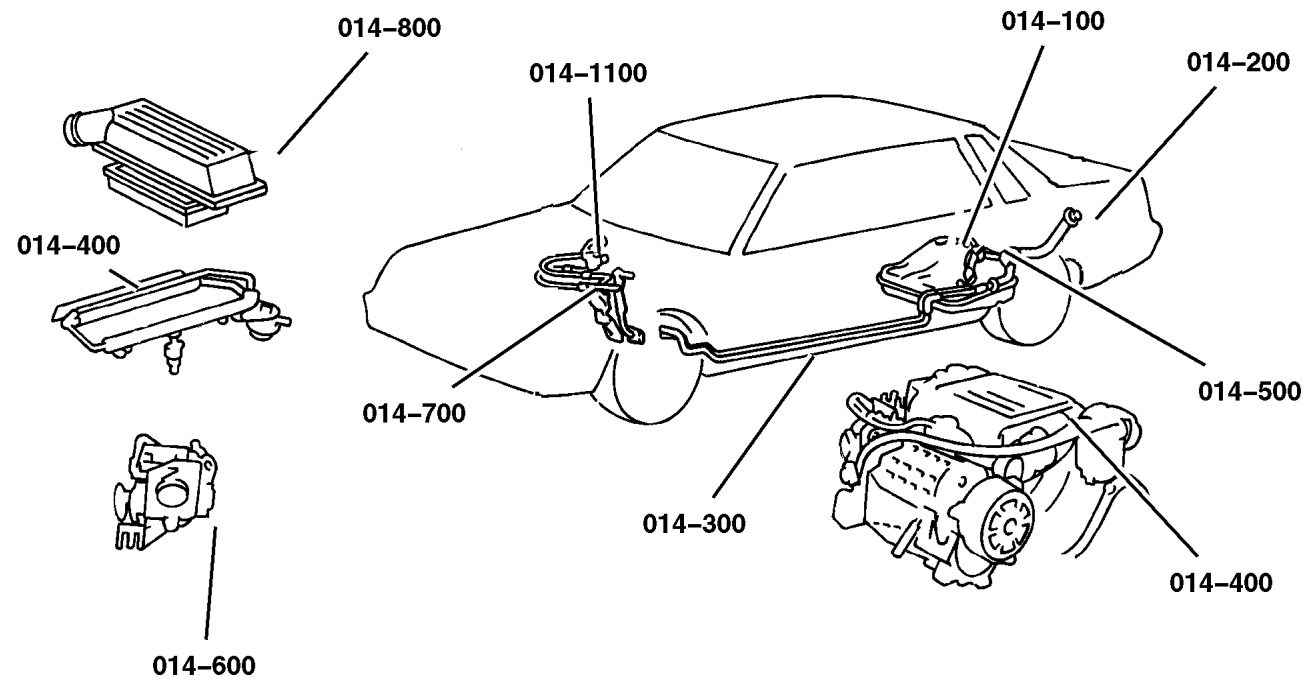
SERIES	LINE	BODY	ENGINE	TRANSMISSION
L=Low Line	Z= Chrysler, RHD	41 = 4 Door,	ECB = 2.0L 4 Cyl. , 16V SMPI	DD5 = 5 Speed Manual
H=High Line	D= Dodge	104WB	ECH = 2.0L 4 Cyl, 16V SOHC	DGL = 4 Speed Automatic
S = Special	C= Chrysler		EJD, EJO = 1.6L 4 Cyl 16v, SOHC	DG0 = All Automatics
P = Premium				DBB = All 5 Speed Manual
X = R/T				

AR = Use as required - = Non illustrated part # = New this model year

April 9, 2002

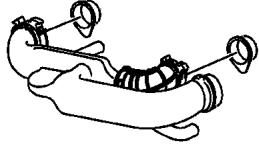
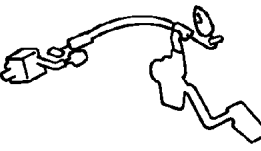

Group – 014

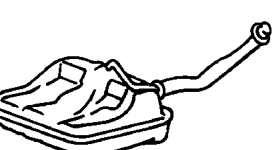

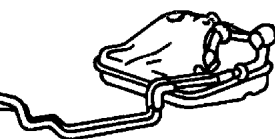
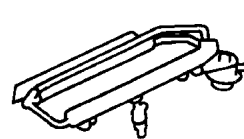
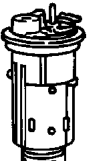

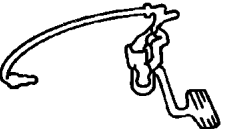
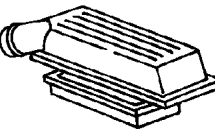
Fuel



Group – 014

Fuel

<p>014-900 Air Intake System</p> 	<p>014-1000 Speed Control</p> 	<p>014-1100 Accelerator Pedal</p> 	
---	--	--	--

<p>014-100 Tank, Fuel</p> 	<p>014-200 Fuel Tank Filler Tube</p> 	<p>014-300 Fuel Lines</p> 	<p>014-400 Fuel Rail</p> 
<p>014-500 Fuel Pump and Sending Unit</p> 	<p>014-600 Throttle Body</p> 	<p>014-700 Throttle Controls</p> 	<p>014-800 Air Cleaner</p> 

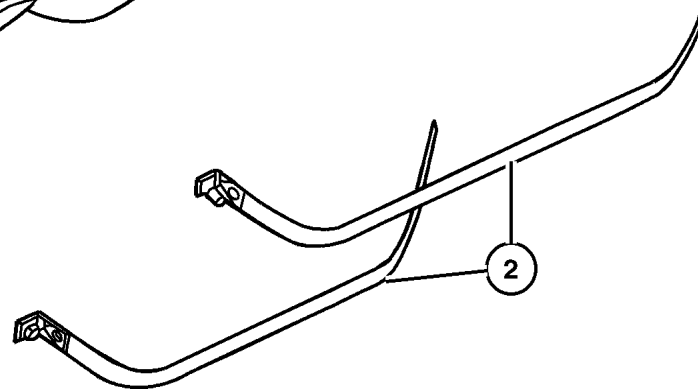
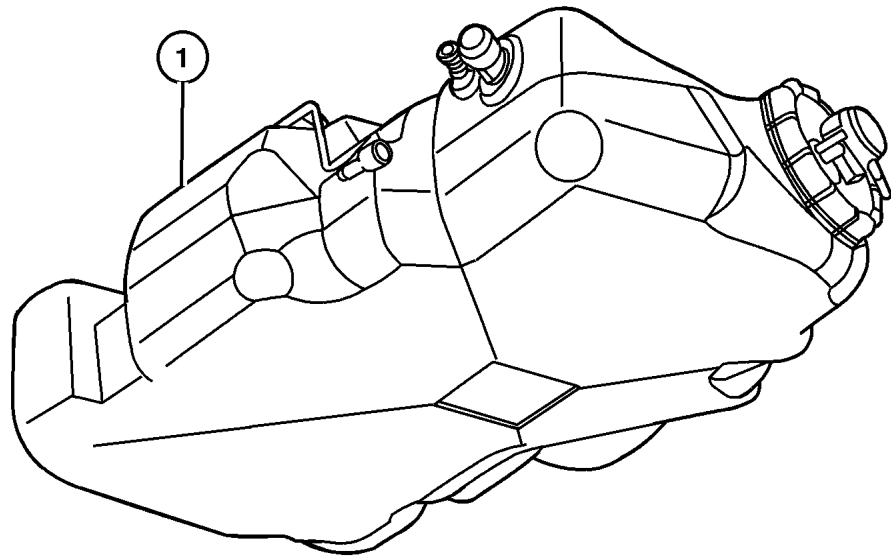
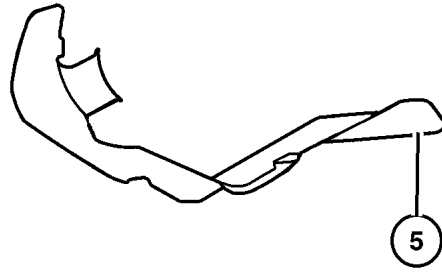


GROUP 14 - Fuel

Illustration Title	Group-Fig. No.
Tank, Fuel	
Fuel Tank	Fig. 014-110
Fuel Tank Filler Tube	
Fuel Filler Tube	Fig. 014-210
Fuel Lines	
Fuel Lines	Fig. 014-310
Fuel Rail	
Fuel Rail	Fig. 014-410
Fuel Pump and Sending Unit	
Fuel Pump and Sending Unit	Fig. 014-510
Throttle Body	
Throttle Body	Fig. 014-610
Throttle Controls	
Throttle Controls	Fig. 014-710
Air Cleaner	
Air Cleaner	Fig. 014-810
Air Intake System	
Air Intake	Fig. 014-910
Speed Control	
Speed Control	Fig. 014-1010
Accelerator Pedal	
Accelerator Pedal	Fig. 014-1110

Fuel Tank
Figure 014-110

ITEM	PART NUMBER	QTY	LINE	SERIES	BODY	ENGINE	TRANS	DESCRIPTION
1								TANK, Fuel
	5017 209AA	1						ORVR
	5017 443AA	1						NON-ORVR
2								STRAP, Fuel Tank
	5278 012AD	1						Right
	5278 013AD	1						Left
-3	6505 059AA	1						STUD, 2 End, M8x1.25x56.50
-4	6502 863	1						SCREW AND WASHER, Hex Head, M8x1.25x35
5	5278 683AA	1						SHIELD, Fuel Tank Heat
-6	4546 886	1						CAP, Fuel Tank Drain



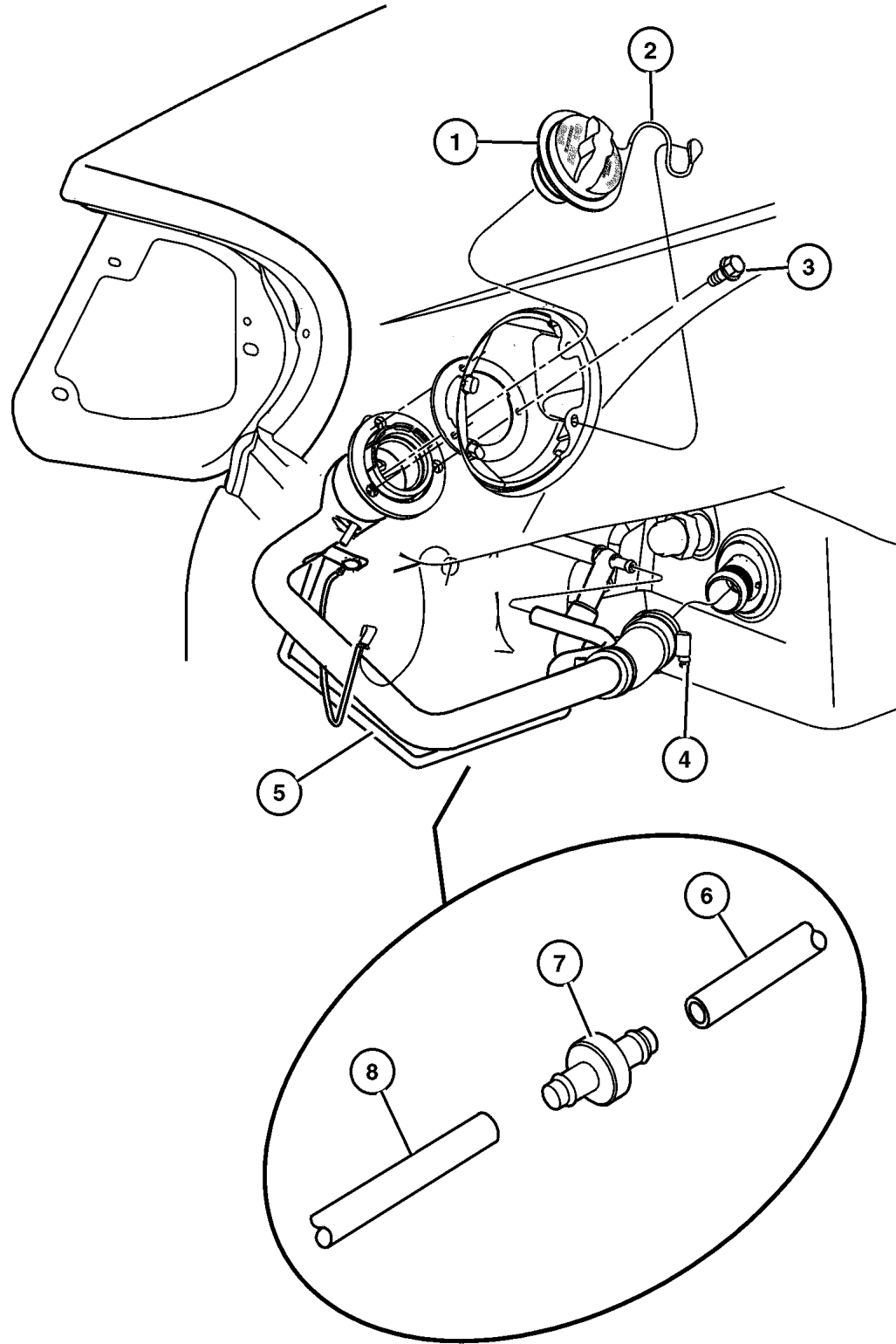
DODGE - CHRYSLER NEON (PL)

SERIES	LINE	BODY	ENGINE	TRANSMISSION
L=Low Line	Z= Chrysler, RHD	41 = 4 Door,	ECB = 2.0L 4 Cyl. , 16V SMPI	DD5 = 5 Speed Manual
H=High Line	D= Dodge	104WB	ECH = 2.0L 4 Cyl, 16V SOHC	DGL = 4 Speed Automatic
S = Special	C= Chrysler		EJD, EJO = 1.6L 4 Cyl 16v, SOHC	DG0 = All Automatics
P = Premium				DBB = All 5 Speed Manual
X = R/T				

AR = Use as required - = Non illustrated part # = New this model year

April 9, 2002

Fuel Filler Tube Figure 014-210



ITEM	PART NUMBER	QTY	LINE	SERIES	BODY	ENGINE	TRANS	DESCRIPTION
NOTE: Part Number 05015636AB is a package which contains the gas cap and lock cylinder uninstalled. The dealer keys the lock cylinder to the ignition key.								
NOTE: Sales Codes n key.								
[ECB] = 2.0L 4 Cylinder SOHC 16V SMPI Engine n key.								
[EJD] = 1.6L 4 Cylinder SOHC 16V SMPI Engine n key.								
1								CAP, Fuel Filler
	5278 632AA	1						Locking Cap
	5278 679AA	1						TETHER, Fuel Filler Cap
2	4682 676	1						SCREW, Round Head, .164-15x1.00
3	0154 806	3						CLAMP, Hose
4	6505 322AA	1						TUBE, Fuel Filler
5								ORVR
	4546 935AE	1						NON-ORVR
	5278 307AD	1						HOSE, Fuel Filler Tube
6	5278 749AA	1						VALVE, Check
7	5278 660AA	1						HOSE, Fuel Filler Tube Vent
8	5278 459AB	1						LABEL, Unleaded Fuel Only
-9						ECB, EJD		Unleaded Fuel Only
	4696 849	1						LABEL, Fuel, Mexico Only
	55137 352AA	1						
-10	4853 321AA	1						

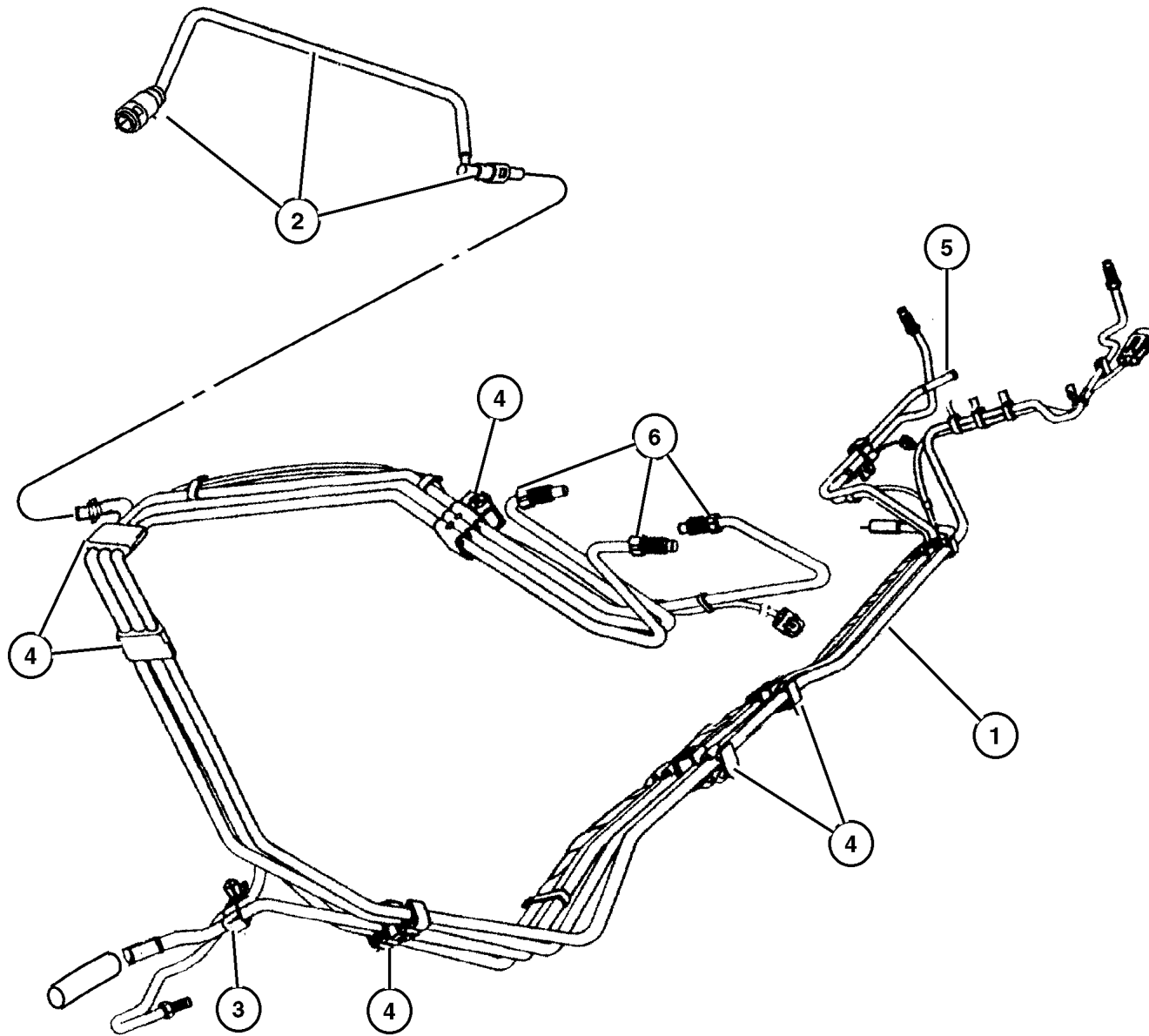
DODGE - CHRYSLER NEON (PL)

SERIES	LINE	BODY	ENGINE	TRANSMISSION
L=Low Line	Z= Chrysler, RHD	41 = 4 Door,	ECB = 2.0L 4 Cyl. , 16V SMPI	DD5 = 5 Speed Manual
H=High Line	D= Dodge	104WB	ECH = 2.0L 4 Cyl, 16V SOHC	DGL = 4 Speed Automatic
S = Special	C= Chrysler		EJD, EJO = 1.6L 4 Cyl 16v, SOHC	DG0 = All Automatics
P = Premium				DBB = All 5 Speed Manual
X = R/T				

AR = Use as required - = Non illustrated part # = New this model year

April 9, 2002

Fuel Lines Figure 014-310



ITEM	PART NUMBER	QTY	LINE	SERIES	BODY	ENGINE	TRANS	DESCRIPTION
NOTES: Sales Codes n key.								
[ECB] = 2.0L 4 Cylinder SOHC 16V SMPI Engine n key.								
[ECH] = 2.0L 4 Cylinder SOHC 16V Hi Performance Engine n key.								
[EJD] = 1.6L 4 Cylinder SOHC 16V SMPI Engine n key.								
1								TUBE, Fuel Supply
	#5015 352AB	1	Z					Right Hand Drive
	#4882 229AB	1	C, D					Left Hand Drive
2								TUBE, Fuel Supply
	#5278 619AC	1	Z			EJD		1.6L Right Hand Drive
	#5278 672AC	1	Z			ECB, ECH		2.0L Right Hand Drive
	#5278 865AC	1	C, D			EJD		1.6L Left Hand Drive
	#5278 866AC	1	C, D			ECB, ECH		2.0L Left Hand Drive
3								CLIP, Fuel Tube
	4495 636	3	Z					
		4	C, D					
4								CLIP, Fuel Tube
	5278 179AB	1	Z					Dash 7 tube
		1	C, D					Dash 7 tube
	5278 180AC	4	Z					U/Body 5 tube
		4	C, D					U/Body 5 tube
	5278 181AA	2	Z					RR Rail 3 Tube
		2	C, D					RR Rail 3 Tube
	5278 182AB	1	C, D					Dash 4 tube
	5278 218AB	1	Z					Dash 4 tube
5								TUBE, Fuel Vapor
	5015 353AA	1	Z					
	5278 164AB	1						
	5278 173AB	1						NON_ORVR
6								NUT
	6036 125AA	3	Z					Right Hand Drive.375-24X.850
		3	C, D					375-24X.850
	6036 126AA	2	Z					Right Hand Drive .437-24X.825
		1	C, D					437-24X.825
	6036 157AA	2	Z					Right Hand Drive .375-24X0.70
		2	C, D					375-24X0.70

DODGE - CHRYSLER NEON (PL)

SERIES	LINE	BODY	ENGINE	TRANSMISSION
L=Low Line	Z= Chrysler, RHD	41 = 4 Door, 104WB	ECB = 2.0L 4 Cyl. , 16V SMPI	DD5 = 5 Speed Manual
H=High Line	D= Dodge		ECH = 2.0L 4 Cyl, 16V SOHC	DGL = 4 Speed Automatic
S = Special	C= Chrysler		EJD, EJO = 1.6L 4 Cyl 16v, SOHC	DGO = All Automatics
P = Premium				DBB = All 5 Speed Manual
X = R/T				

AR = Use as required - = Non illustrated part # = New this model year

April 9, 2002

Fuel Rail Figure 014-410

ITEM	PART NUMBER	QTY	LINE	SERIES	BODY	ENGINE	TRANS	DESCRIPTION
------	-------------	-----	------	--------	------	--------	-------	-------------

NOTES: Sales Codes n key.

[DD5] = 5 Speed Manual Transmission n key.

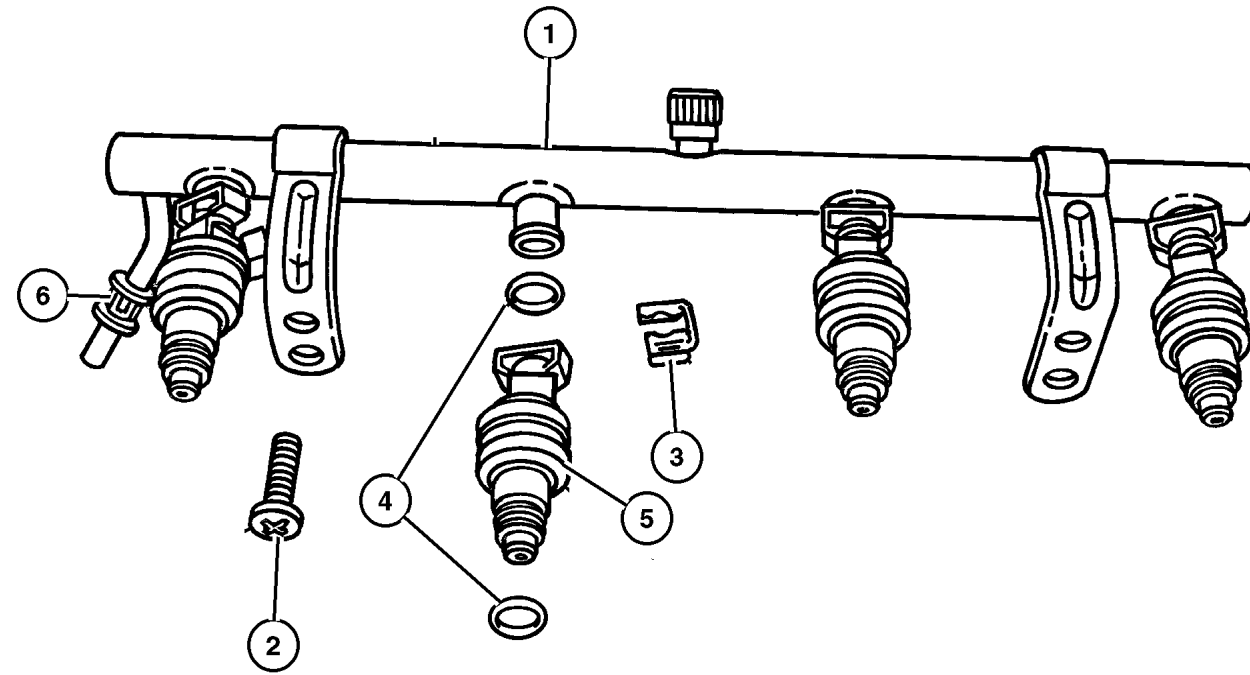
[DGL] = 4 Speed Automatic Transmission 41TE n key.

[ECB] = 2.0L 4 Cylinder SOHC 16V SMPI Engine n key.

[ECH] = 2.0L 4 Cylinder SOHC 16V Hi Performance Engine n key.

[EJD] = 1.6L 4 Cylinder SOHC 16V SMPI Engine n key.

1	4891 338AA	1				EJD	DGL	RAIL, Fuel
		1				EJD	DD5	
	5014 312AA	1				ECB		
		1				ECH		
2	6505 873AA	2				EJD	DGL	STUD, Fuel Rail Attach, M8x1.25x38.8
		2				ECB		
		2				ECH		
		2				EJD	DD5	
3	4418 257AB	4				ECH		CLIP, Fuel Injector
		4				ECB		
4	4897 125AA	4				ECB		O RING KIT, Fuel Injector
		4				ECH		
		4				EJD	DGL	
		4				EJD	DD5	
5	4891 345AA	4				ECH		INJECTOR, Fuel
		4				ECB		
6	4762 643	1				ECH		RETAINER PACKAGE, Quick Connect



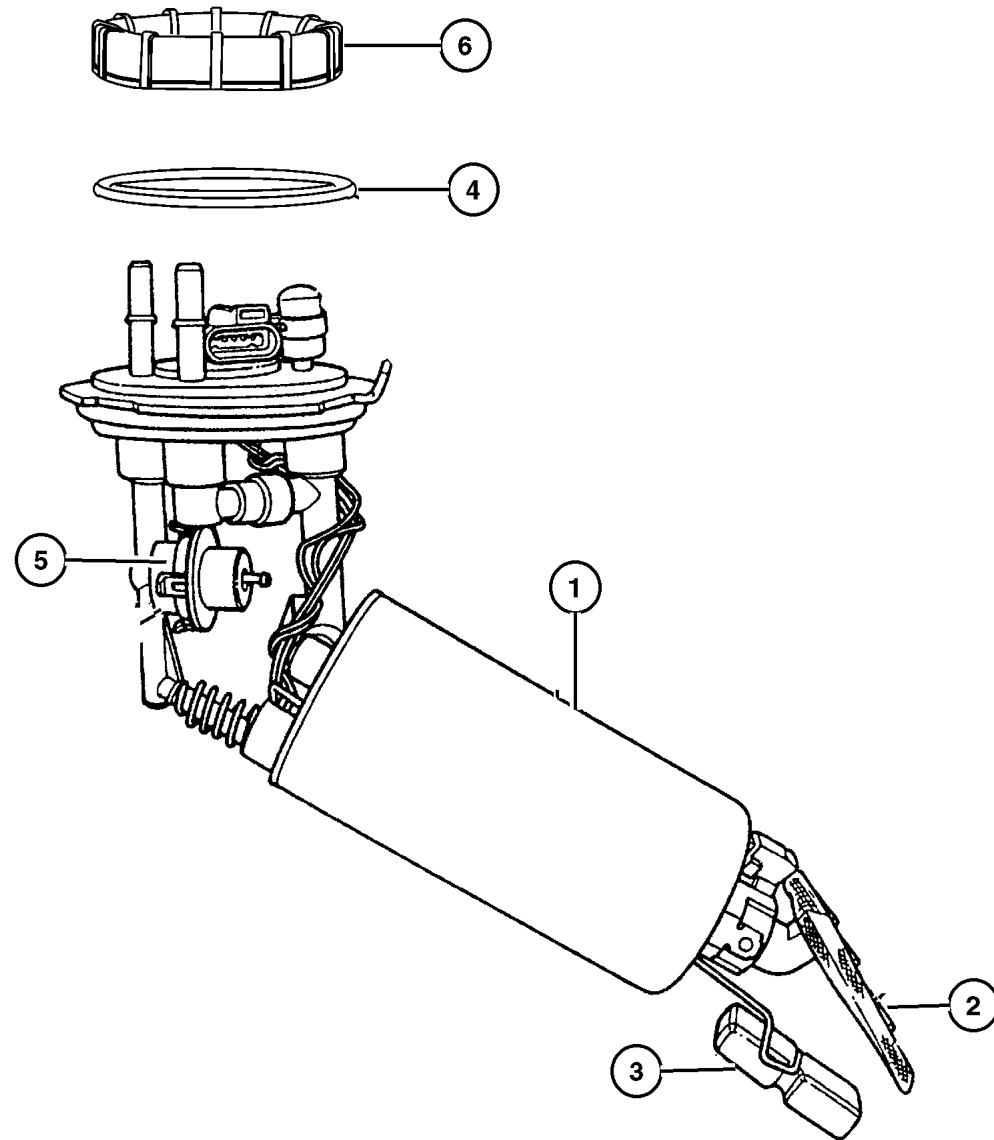
DODGE - CHRYSLER NEON (PL)

SERIES	LINE	BODY	ENGINE	TRANSMISSION
L=Low Line	Z= Chrysler, RHD	41 = 4 Door,	ECB = 2.0L 4 Cyl. , 16V SMPI	DD5 = 5 Speed Manual
H=High Line	D= Dodge	104WB	ECH = 2.0L 4 Cyl, 16V SOHC	DGL = 4 Speed Automatic
S = Special	C= Chrysler		EJD, EJO = 1.6L 4 Cyl 16v, SOHC	DG0 = All Automatics
P = Premium				DBB = All 5 Speed Manual
X = R/T				

AR = Use as required - = Non illustrated part # = New this model year

April 9, 2002

Fuel Pump and Sending Unit
Figure 014-510



ITEM	PART NUMBER	QTY	LINE	SERIES	BODY	ENGINE	TRANS	DESCRIPTION
1								MODULE KIT, Fuel Pump/Level Unit
	5018 697AA	1						ORVR
	5018 704AA	1						Mexico
2								FILTER KIT, Fuel
	4897 416AB	1						ORVR
	5010 476AA	1						Mexico
3	5014 353AA	1						LEVEL UNIT KIT, Fuel
4	4546 692	1						SEAL, Fuel Pump and Level Unit
5	5278 631AA	1						FILTER, Fuel Pressure Regulator
6	5200 5389	1						NUT, Fuel Pump Module

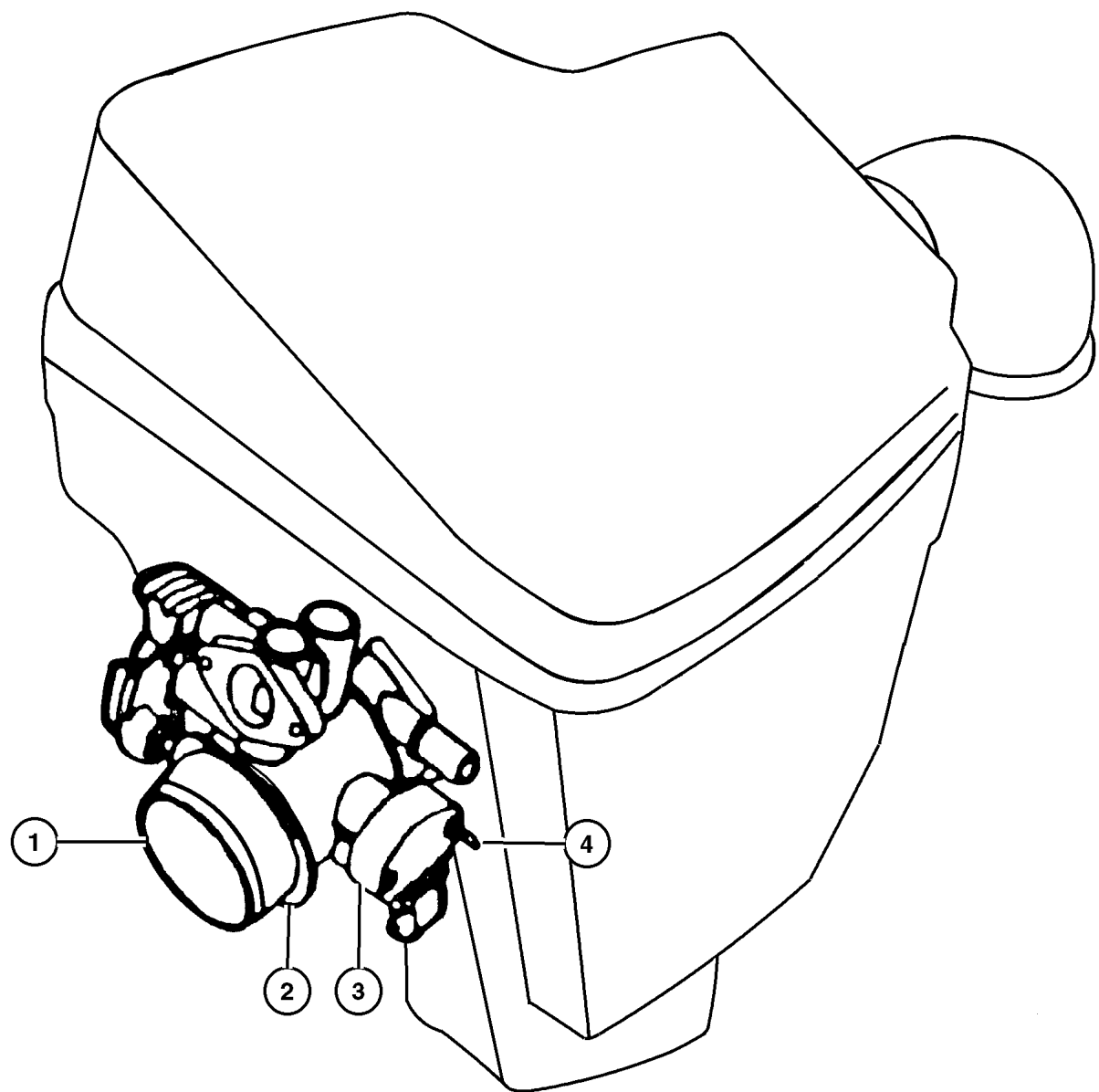
DODGE - CHRYSLER NEON (PL)

SERIES	LINE	BODY	ENGINE	TRANSMISSION
L=Low Line	Z= Chrysler, RHD	41 = 4 Door,	ECB = 2.0L 4 Cyl. , 16V SMPI	DD5 = 5 Speed Manual
H=High Line	D= Dodge	104WB	ECH = 2.0L 4 Cyl, 16V SOHC	DGL = 4 Speed Automatic
S = Special	C= Chrysler		EJD, EJO = 1.6L 4 Cyl 16v, SOHC	DG0 = All Automatics
P = Premium				DBB = All 5 Speed Manual
X = R/T				

AR = Use as required - = Non illustrated part # = New this model year

April 9, 2002

Throttle Body Figure 014-610



ITEM	PART NUMBER	QTY	LINE	SERIES	BODY	ENGINE	TRANS	DESCRIPTION
------	-------------	-----	------	--------	------	--------	-------	-------------

NOTES: Sales Codes n key.
 [DD5] = 5 Speed Manual Transmission n key.
 [DGL] = 4 Speed Automatic Transmission 41TE n key.
 [ECB] = 2.0L 4 Cylinder SOHC 16V SMPI Engine n key.
 [ECH] = 2.0L 4 Cylinder SOHC 16V Hi Performance Engine n key.
 [EJD] = 1.6L 4 Cylinder SOHC 16V SMPI Engine n key.

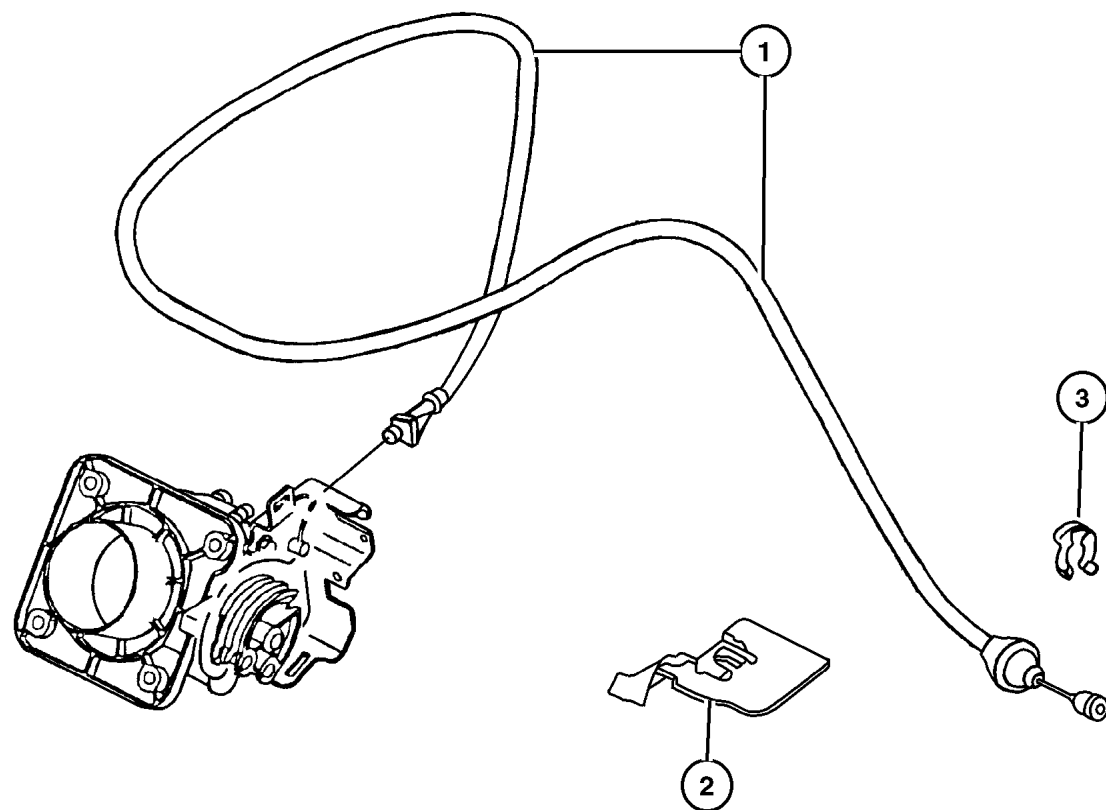
1								THROTTLE BODY
	4777 860AA	1				EJD		Electronically Controlled
	4891 278AC	1				ECB	DGL	
	4891 375AC	1				ECB, ECH	DD5	
2	5018 345AA	1				EJD		GASKET, Throttle Body
3								SENSOR KIT, Throttle Position
	4874 430AB	1				ECB, ECH	DD5	
	4874 430	1				ECB	DGL	
4	6101 279	4				EJD		BOLT AND WASHER, Hex Head, M6x-1.00x55
-5								SOLENOID KIT, Linear IACV
	5014 116AA	1				ECB	DGL	
		1				ECB, ECH	DD5	

DODGE - CHRYSLER NEON (PL)

SERIES	LINE	BODY	ENGINE	TRANSMISSION
L=Low Line	Z= Chrysler, RHD	41 = 4 Door,	ECB = 2.0L 4 Cyl. , 16V SMPI	DD5 = 5 Speed Manual
H=High Line	D= Dodge	104WB	ECH = 2.0L 4 Cyl, 16V SOHC	DGL = 4 Speed Automatic
S = Special	C= Chrysler		EJD, EJO = 1.6L 4 Cyl 16v, SOHC	DG0 = All Automatics
P = Premium				DBB = All 5 Speed Manual
X = R/T				

AR = Use as required - = Non illustrated part # = New this model year

Throttle Controls Figure 014-710



ITEM	PART NUMBER	QTY	LINE	SERIES	BODY	ENGINE	TRANS	DESCRIPTION
------	-------------	-----	------	--------	------	--------	-------	-------------

NOTES: Sales Codes n key.

[DD5] = 5 Speed Manual Transmission n key.

[DGL] = 4 Speed Automatic Transmission 41TE n key.

[ECB] = 2.0L 4 Cylinder SOHC 16V SMPI Engine n key.

[ECH] = 2.0L 4 Cylinder SOHC 16V Hi Performance Engine n key.

[EJD] = 1.6L 4 Cylinder SOHC 16V SMPI Engine n key.

1	4891 250AB	1	Z			ECB	DD5, DGL	CABLE, Throttle Control
	4891 251AD	1	C, D			ECB	DD5, DGL	
	4891 433AA	1	C, D			ECH	DD5	
	4891 441AA	1	Z			ECH	DD5	
	4891 555AB	1	C, D			EJD		
	4891 658AC	1	Z			EJD		
2	4669 966AC	1				ECB, ECH		SHIELD, Throttle Control
3	5214 613	1				ECB, ECH,	EJD	CLIP, Cable
-4	5214 416	1	Z			ECB	DD5, DGL	GROMMET, Throttle Control Cable
		1	C, D			ECB	DD5, DGL	
		1	C, D			EJD		
		1	Z			EJD		
		1	C, D			ECH	DD5	
		1	Z			ECH	DD5	

DODGE - CHRYSLER NEON (PL)

SERIES	LINE	BODY	ENGINE	TRANSMISSION
L=Low Line	Z= Chrysler, RHD	41 = 4 Door,	ECB = 2.0L 4 Cyl. , 16V SMPI	DD5 = 5 Speed Manual
H=High Line	D= Dodge	104WB	ECH = 2.0L 4 Cyl, 16V SOHC	DGL = 4 Speed Automatic
S = Special	C= Chrysler		EJD, EJO = 1.6L 4 Cyl 16v, SOHC	DG0 = All Automatics
P = Premium				DBB = All 5 Speed Manual
X = R/T				

AR = Use as required - = Non illustrated part # = New this model year

April 9, 2002

Air Cleaner Figure 014-810

ITEM	PART NUMBER	QTY	LINE	SERIES	BODY	ENGINE	TRANS	DESCRIPTION
------	-------------	-----	------	--------	------	--------	-------	-------------

NOTES: Sales Codes n key.

[DD5] = 5 Speed Manual Transmission n key.

[DGL] = 4 Speed Automatic Transmission 41TE n key.

[ECB] = 2.0L 4 Cylinder SOHC 16V SMPI Engine n key.

[ECH] = 2.0L 4 Cylinder SOHC 16V Hi Performance Engine n key.

[EJD] = 1.6L 4 Cylinder SOHC 16V SMPI Engine n key.

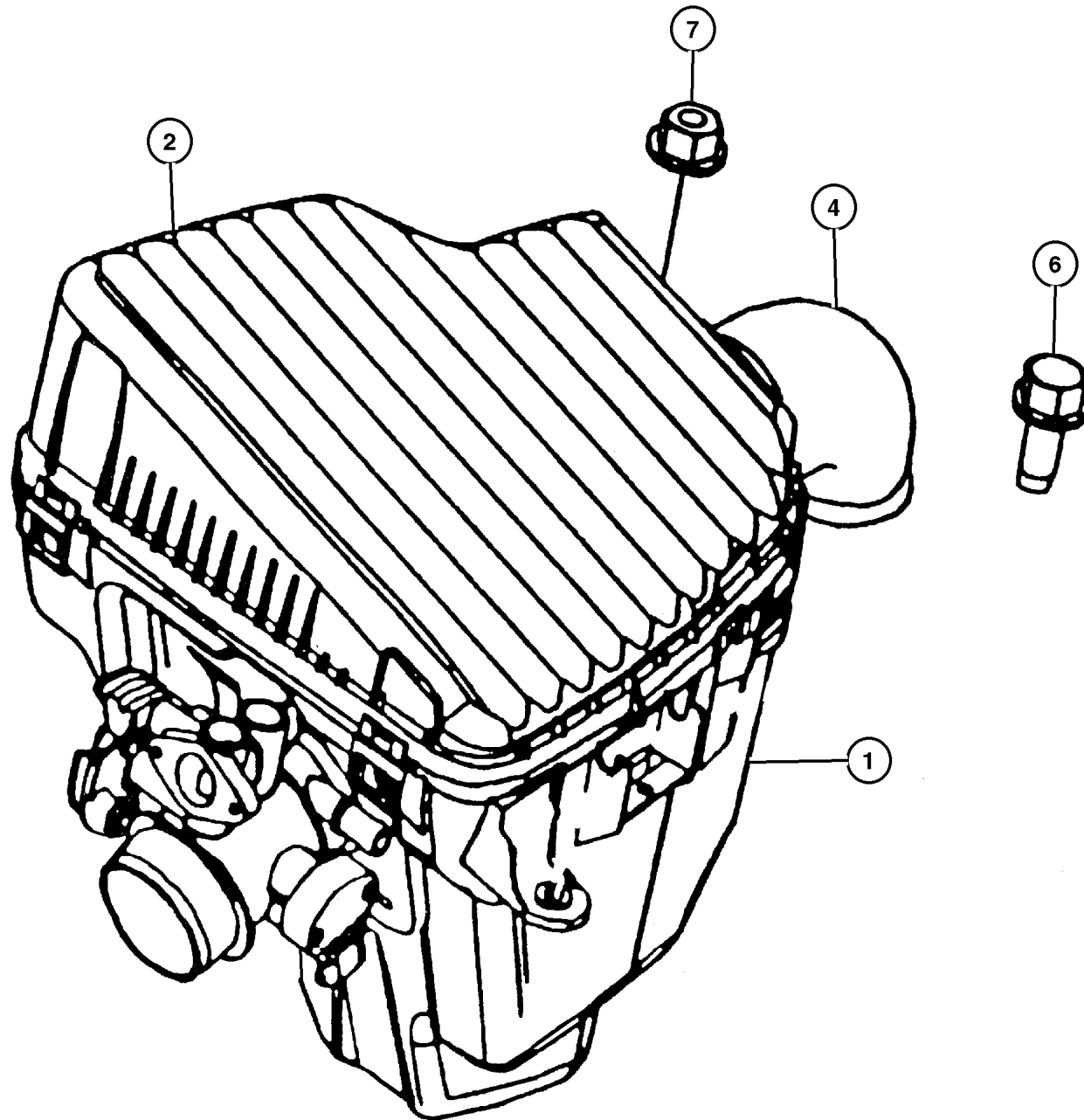
1	4891 317AB	1				ECB	DGL	BODY, Air Cleaner
		1				ECB, ECH	DD5	
2	4891 021AA	1				ECB	DGL	COVER, Air Cleaner
		1				EJD		
		1				ECB, ECH	DD5	
-3	4891 097AA	1				ECB	DGL	FILTER, Air
		1				ECB, ECH	DD5	
		1				EJD		
4	4891 032AB	1				ECB	DGL	DUCT, Air Cleaner to Resonator
		1				EJD		
		1				ECB, ECH	DD5	
-5	4891 356AB	1				ECB		COVER, Injector Harness
	4891 410AB	1				ECH		
	4891 522AB	1				EJD		
6	6102 039AA	1						SCREW, Air Cleaner Mounting - Frt., M6. 3x1.81x30.00
7	3420 1358	1						NUT AND WASHER, Hex Nut-Sealing Washer, M6 x 1.00
-8	5066 221AA	5				ECB	DGL	SCREW, Air Cleaner Cover
		5				EJD		
		5				ECB, ECH	DD5	
-9	4669 177	2				ECB, ECH,	EJD	GROMMET, Air Cleaner Bracket
-10								BUMPER, Air Cleaner to Rocker

DODGE - CHRYSLER NEON (PL)

SERIES	LINE	BODY	ENGINE	TRANSMISSION
L=Low Line	Z= Chrysler, RHD	41 = 4 Door, 104WB	ECB = 2.0L 4 Cyl. , 16V SMPI	DD5 = 5 Speed Manual
H=High Line	D= Dodge		ECH = 2.0L 4 Cyl, 16V SOHC	DGL = 4 Speed Automatic
S = Special	C= Chrysler		EJD, EJO = 1.6L 4 Cyl 16v, SOHC	DG0 = All Automatics
P = Premium				DBB = All 5 Speed Manual
X = R/T				

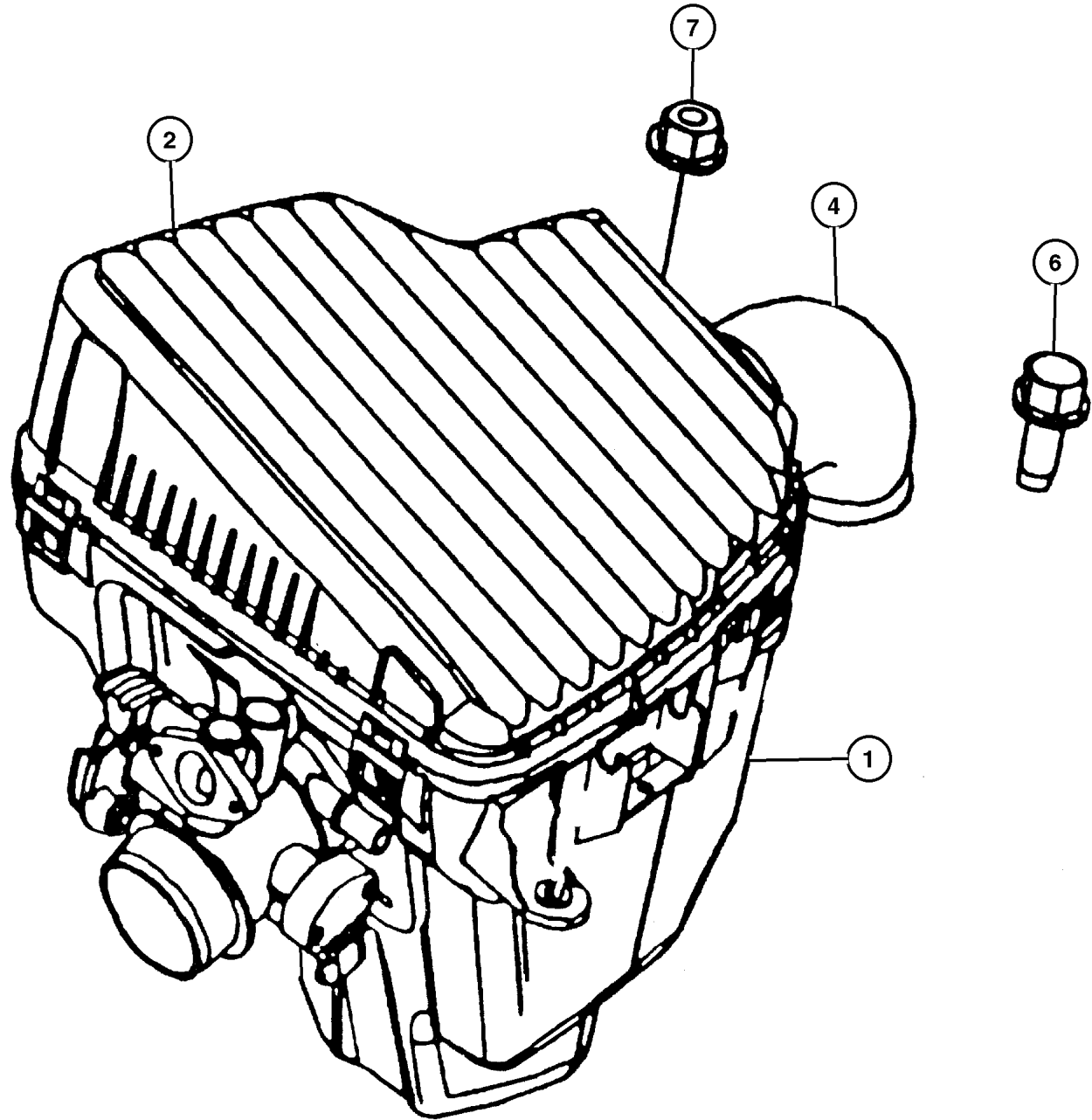
AR = Use as required - = Non illustrated part # = New this model year

April 9, 2002



**Air Cleaner
Figure 014-810**

ITEM	PART NUMBER	QTY	LINE	SERIES	BODY	ENGINE	TRANS	DESCRIPTION
	4300 052	1				EJD	DD5	
		1				ECB	DGL	
		1				ECB, ECH	DD5	
-11								ISOLATOR, Air Cleaner Mounting Leg
	4573 049	2				EJD	DD5	
		2				ECB	DGL	
		2				ECB, ECH	DD5	
-12								BUSHING, Isolator Mounting Leg
	4573 211AB	4				ECB	DGL	
		2				ECB, ECH	DD5	
		2				EJD		



DODGE - CHRYSLER NEON (PL)

SERIES	LINE	BODY	ENGINE	TRANSMISSION
L=Low Line	Z= Chrysler, RHD	41 = 4 Door,	ECB = 2.0L 4 Cyl. , 16V SMPI	DD5 = 5 Speed Manual
H=High Line	D= Dodge	104WB	ECH = 2.0L 4 Cyl, 16V SOHC	DGL = 4 Speed Automatic
S = Special	C= Chrysler		EJD, EJO = 1.6L 4 Cyl 16v, SOHC	DG0 = All Automatics
P = Premium				DBB = All 5 Speed Manual
X = R/T				

AR = Use as required - = Non illustrated part # = New this model year

April 9, 2002

Air Intake Figure 014-910

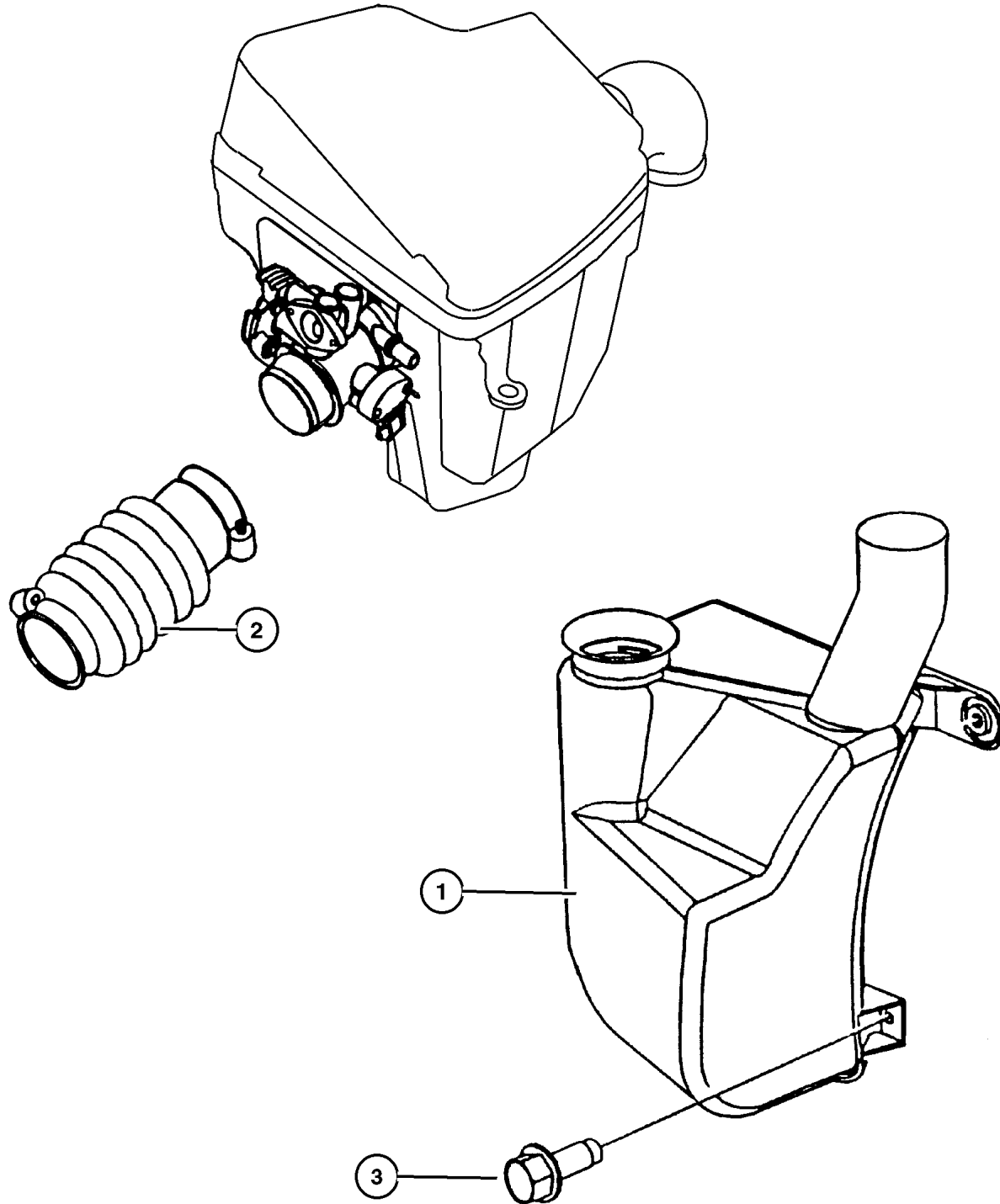
ITEM	PART NUMBER	QTY	LINE	SERIES	BODY	ENGINE	TRANS	DESCRIPTION
------	-------------	-----	------	--------	------	--------	-------	-------------

NOTES: Sales Codes n key.

[ECB] = 2.0L 4 Cylinder SOHC 16V SMPI Engine n key.

[EJD] = 1.6L 4 Cylinder SOHC 16V SMPI Engine n key.

1	4891 274AA	1				EJD	DD5	RESONATOR, Fresh Air
	4891 274AB	1				ECH		
2	4669 783AC	1				ECB, EJD		DUCT, Throttle Body
		1				ECB		
3	6102 039AA	1						SCREW, Air Cleaner Mounting - Frt., M6. 3x1.81x30.00



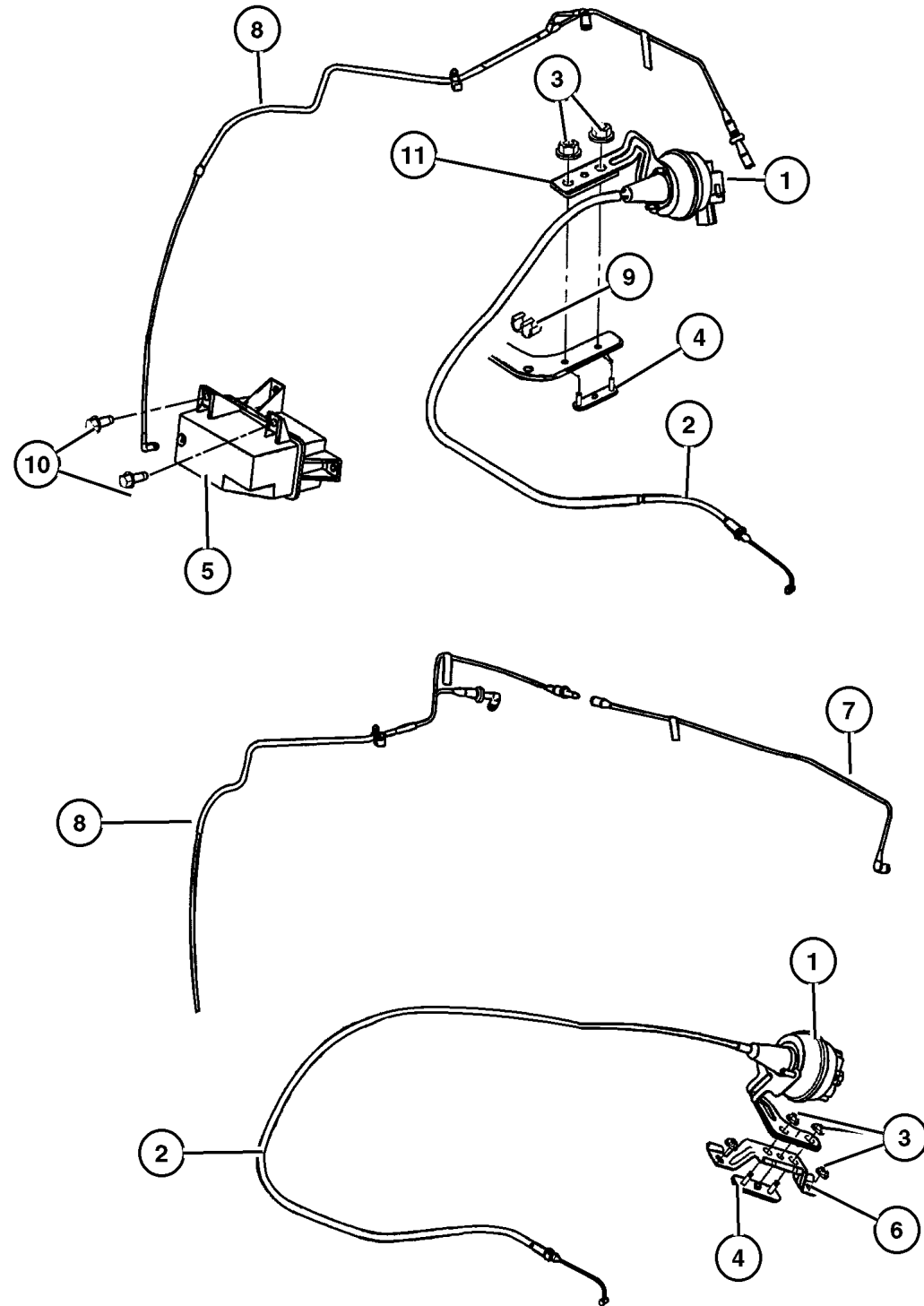
DODGE - CHRYSLER NEON (PL)

SERIES	LINE	BODY	ENGINE	TRANSMISSION
L=Low Line	Z= Chrysler, RHD	41 = 4 Door,	ECB = 2.0L 4 Cyl. , 16V SMPI	DD5 = 5 Speed Manual
H=High Line	D= Dodge	104WB	ECH = 2.0L 4 Cyl, 16V SOHC	DGL = 4 Speed Automatic
S = Special	C= Chrysler		EJD, EJO = 1.6L 4 Cyl 16v, SOHC	DG0 = All Automatics
P = Premium				DBB = All 5 Speed Manual
X = R/T				

AR = Use as required - = Non illustrated part # = New this model year

April 9, 2002

Speed Control Figure 014-1010



ITEM	PART NUMBER	QTY	LINE	SERIES	BODY	ENGINE	TRANS	DESCRIPTION
NOTES: Sales Codes n key.								
[ECB] = 2.0L 4 Cylinder SOHC 16V SMPI Engine n key.								
[ECH] = 2.0L 4 Cylinder SOHC 16V Hi Performance Engine n key.								
[EJD] = 1.6L 4 Cylinder SOHC 16V SMPI Engine n key.								
1	4669 979	1	Z			ECB,		SERVO, Speed Control
2	4891 041AA	1	Z			ECH,		CABLE, Speed Control
3	6500 274	4	Z			ECB,		LOCK NUT, M6x1.0x6
4	4591 046	1	Z			ECH,		PLATE, Speed Control Servo
5	4669 380AC	1	C, D			EJD		RESERVOIR, Speed Control Vacuum
6	4669 954	1	Z			ECB,		BRACKET, Speed Control Servo
7	#4669 400AE	1	C, D			ECH		HARNESS, Vacuum Speed Control, Reverse
8	4669 225AB	1	Z			ECB,		HARNESS, Vacuum Speed Control
9	4459 055AB	1				ECH		CLIP, Cable Routing
10						ECB,		SCREW AND WASHER, Hex Head, M6x1x25, (NOT SERVICED)
11	4669 585AB	1	C, D			ECH		BRACKET, Speed Control Servo
	4669 954	1	Z			ECB,		
	#4669 585AD	1	C, D			ECH		
						ECB		SPACER, Speed Control Servo
-12	3502 916	2	Z			ECB,		
		2	C, D			ECH		
-13	5214 613	1				EJD	EJD	CLIP, Cable
						ECB,		
						ECH,		
-14	4592 032	1	Z			ECB,		ISOLATOR PAD, Speed Control Mounting
		1	C, D			ECH		
						EJD		

DODGE - CHRYSLER NEON (PL)

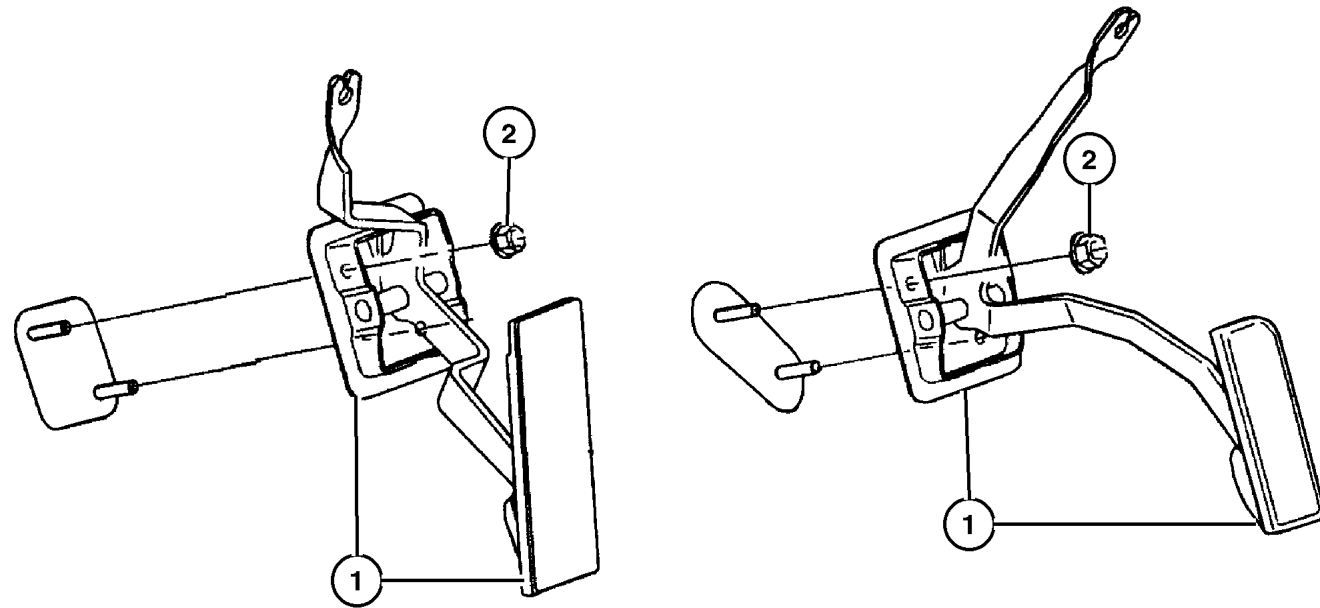
SERIES	LINE	BODY	ENGINE	TRANSMISSION
L=Low Line	Z= Chrysler, RHD	41 = 4 Door, 104WB	ECB = 2.0L 4 Cyl. , 16V SMPI	DD5 = 5 Speed Manual
H=High Line	D= Dodge		ECH = 2.0L 4 Cyl, 16V SOHC	DGL = 4 Speed Automatic
S = Special	C= Chrysler		EJD, EJO = 1.6L 4 Cyl 16v, SOHC	DG0 = All Automatics
P = Premium				DBB = All 5 Speed Manual
X = R/T				

AR = Use as required - = Non illustrated part # = New this model year

April 9, 2002

Accelerator Pedal Figure 014-1110

ITEM	PART NUMBER	QTY	LINE	SERIES	BODY	ENGINE	TRANS	DESCRIPTION
NOTES: Sales Codes n key.								
[ECB] = 2.0L 4 Cylinder SOHC 16V SMPI Engine n key.								
[EJD] = 1.6L 4 Cylinder SOHC 16V SMPI Engine n key.								
1								PEDAL, Accelerator
	4669 789	1	C, D					
	4669 964AB	1	Z			ECB, EJD		
2	6502 843	2						NUT AND WASHER, Hex Nut-Coned Washer, M6 x 1.00



DODGE - CHRYSLER NEON (PL)				
SERIES	LINE	BODY	ENGINE	TRANSMISSION
L=Low Line	Z= Chrysler, RHD	41 = 4 Door,	ECB = 2.0L 4 Cyl. , 16V SMPI	DD5 = 5 Speed Manual
H=High Line	D= Dodge	104WB	ECH = 2.0L 4 Cyl, 16V SOHC	DGL = 4 Speed Automatic
S = Special	C= Chrysler		EJD, EJ0 = 1.6L 4 Cyl 16v, SOHC	DG0 = All Automatics
P = Premium				DBB = All 5 Speed Manual
X = R/T				

AR = Use as required - = Non illustrated part # = New this model year

April 9, 2002

Group - 017

Rear Suspension

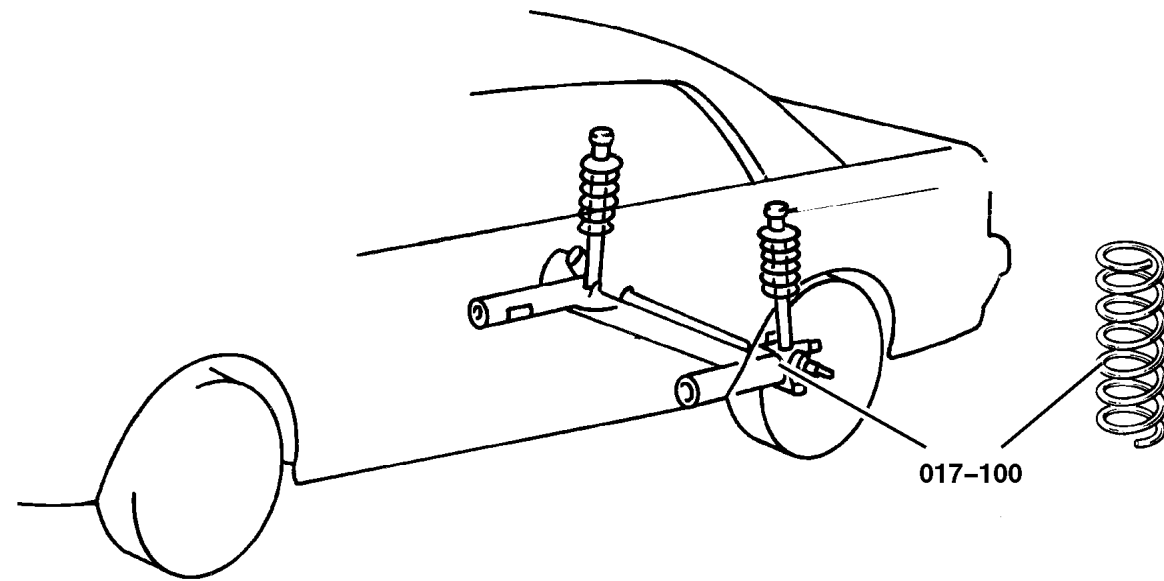
GROUP 17 - Rear Suspension

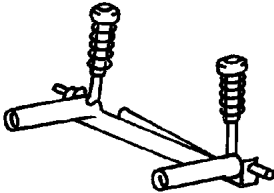
Illustration Title

Group-Fig. No.

Rear Suspension

Rear Suspension Fig. 017-105



<p>017-100 Rear Suspension</p> 			
--	--	--	--

Rear Suspension Figure 017-105

ITEM	PART NUMBER	QTY	LINE	SERIES	BODY	ENGINE	TRANS	DESCRIPTION
------	-------------	-----	------	--------	------	--------	-------	-------------

NOTE: Sales Codes n key.

[SDB]=SUSPENSION - HEAVY DUTY n key.

[SDC]=SuspensionTOURING n key.

[SDE]=SUSPENSION - SPORT n key.

[SDF]=Suspension EURO n key.

[SDK]=SUSPENSION - COMPETITION n key.

[ZCC thur ZRJ]=Spring Group Type's Found on Individual Sale Codes n key.

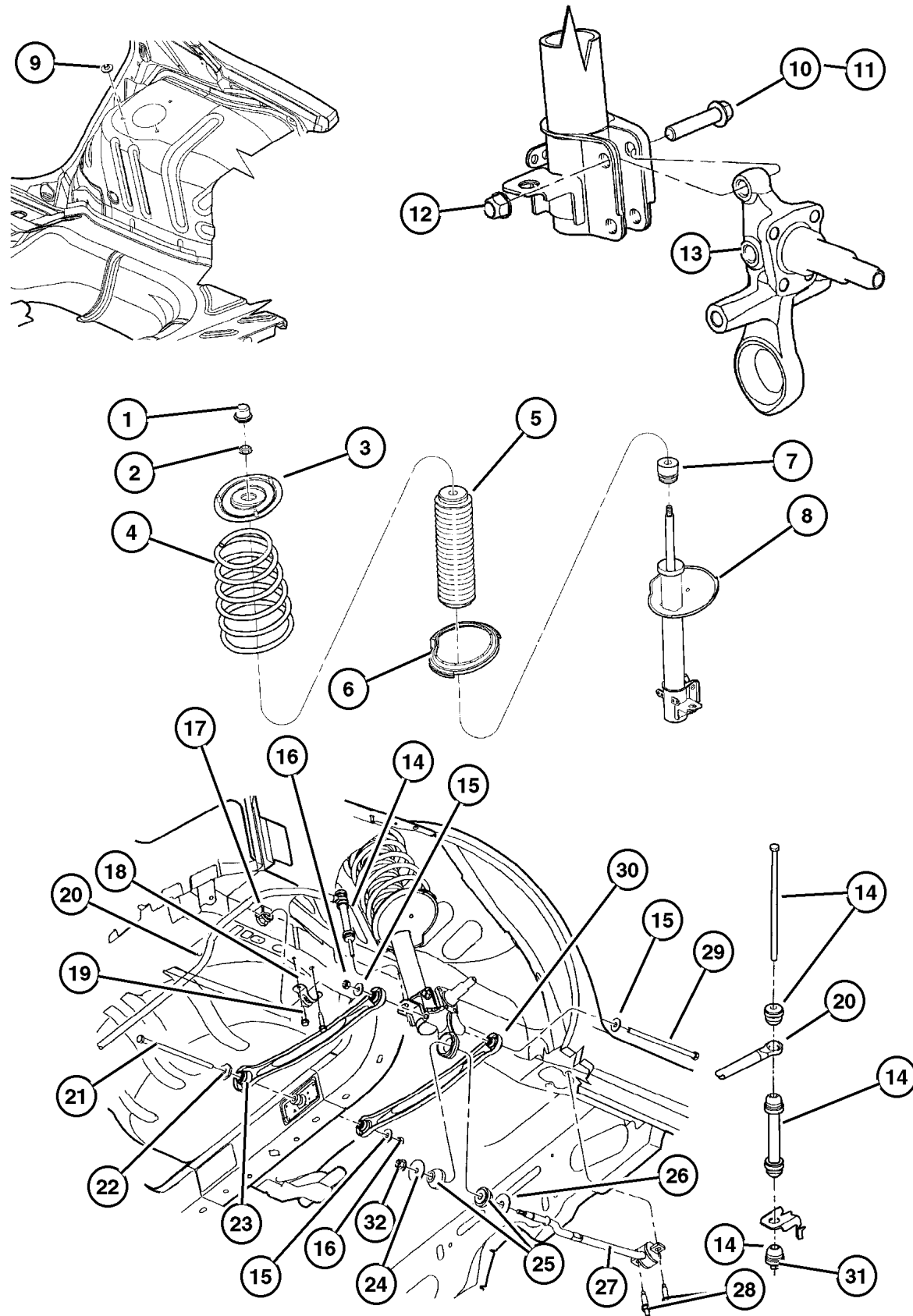
1								CAP, Suspension Strut, (NOT REQUIRED)
2	6505 116AA	2						NUT, M14X2
3								MOUNT, Strut
	4656 264AC	1						Right
	4656 265AC	1						Left
4								SPRING, Rear Coil
	5272 283	1						[SDB-SDC-SDF-SDD] [ZAT- ZNT]
	5272 284	1						[SDB-SDC-SDF-SDD] [ZAU- ZNU]
	5272 285AA	1						[SDB-SDC-SDF-SDD] [ZAV- ZNV]
	4656 951AA	1						[SDE-SDK] [ZER- ZTR]
	4656 952AA	1						[SDE-SDK] [ZES- ZTS]
	5272 953AA	1						[SDE] [ZET- ZTT]
5	4656 944AA	2						SHIELD, Suspension
6	4626 757	2						ISOLATOR, Spring Seat
7	5272 248AB	2						BUMPER, Jounce
8								STRUT, Rear Suspension
	4656 355AD	1						[SDF-SDB], Left
	4656 354AD	1						[SDF-SDB], Right
	5272 698AB	1						[SDE], Right
	5272 785AA	1						[SDK], Left
	5272 890AA	2						[SDC], Right And Left
9	6502 964	6						NUT AND WASHER, Hex Nut-Coned Washer, M8 x 1.25
10	6502 765	4						BOLT, Hex Head, Clevis Bracket
11	4773 957	4						BOLT PACKAGE, Camber Adjustment, Contains 2 Bolts, 2 Nuts
12	6505 233AA	4						NUT, M12x1.75
13	5272 245	2						KNUCKLE, Rear
14	4656 260AA	2						LINK, Sway Eliminator
15	6503 253	6						WASHER, Flat, 12mm ID
16	6502 526	2						NUT, Hex Locking, M12x1.75
17								CUSHION, Sway Eliminator
	4626 767	2						[SDF]
	4656 140AA	2						[SDB]

DODGE - CHRYSLER NEON (PL)

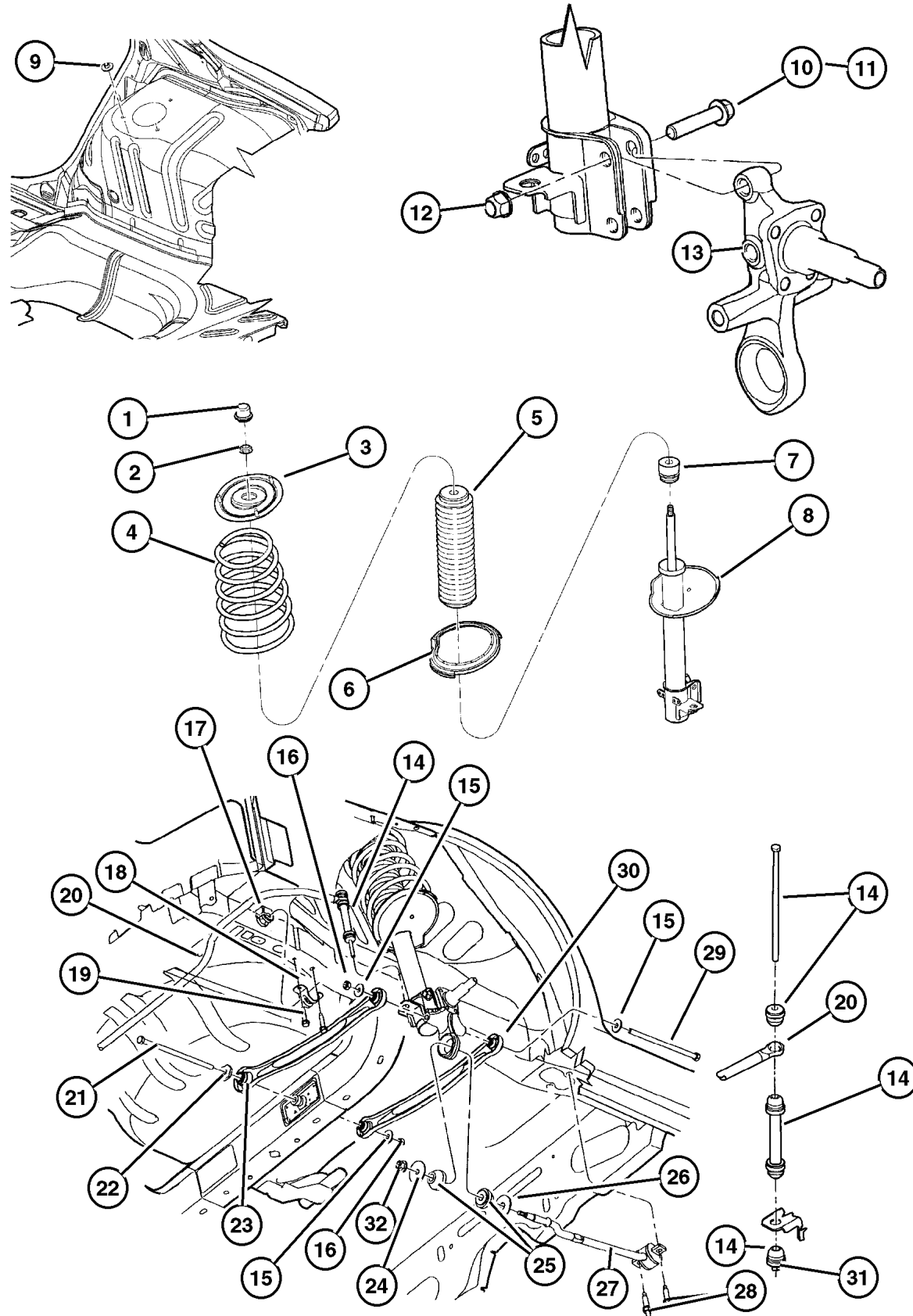
SERIES	LINE	BODY	ENGINE	TRANSMISSION
L=Low Line	Z= Chrysler, RHD	41 = 4 Door,	ECB = 2.0L 4 Cyl. , 16V SMPI	DD5 = 5 Speed Manual
H=High Line	D= Dodge	104WB	ECH = 2.0L 4 Cyl, 16V SOHC	DGL = 4 Speed Automatic
S = Special	C= Chrysler		EJD, EJ0 = 1.6L 4 Cyl 16v, SOHC	DG0 = All Automatics
P = Premium				DBB = All 5 Speed Manual
X = R/T				

AR = Use as required - = Non illustrated part # = New this model year

April 9, 2002



Rear Suspension Figure 017-105



ITEM	PART NUMBER	QTY	LINE	SERIES	BODY	ENGINE	TRANS	DESCRIPTION
	4656 946AA	2						[SDE, SDK]
18	4656 478AB	1						CLAMP, Stabilizer Bar Cushion Right
	4656 479AB	1						Left
19	6506 203AA	4						SCREW, Hex Head
20	5272 258AB	1						BAR, Rear Sway [SDB]
	4656 511AB	1						[SDF]
	4656 855AA	1						[SDE, SDK]
21	6502 796	2						SCREW, Hex Head, M12x1.75x242
22	4626 993	2						CAM, rear suspension
23								LINK, Rear Lateral Right
	4656 358AA	1						Left
24	4656 361AA	2						RETAINER, Strut to Bushing, Front of Strut
25	4656 357AA	4						BUSHING, Strut
26	4656 360AA	2						RETAINER, Strut to Bushing
27								STRUT, Stabilizer Right
	5272 250	1						Left
	5272 251	1						
28	6505 213AA	4						SCREW AND WASHER
29	6503 203	2						SCREW, Hex Head, M12x1.75x230.50
30	5272 254	2						LINK, Rear Lateral
31								NUT, Service with Sway Bar Link Assy, (NOT SERVICED)
32	6502 502	2						NUT, Hex Flange Lock, M14x2

DODGE - CHRYSLER NEON (PL)

SERIES	LINE	BODY	ENGINE	TRANSMISSION
L=Low Line	Z= Chrysler, RHD	41 = 4 Door,	ECB = 2.0L 4 Cyl. , 16V SMPI	DD5 = 5 Speed Manual
H=High Line	D= Dodge	104WB	ECH = 2.0L 4 Cyl, 16V SOHC	DGL = 4 Speed Automatic
S = Special	C= Chrysler		EJD, EJO = 1.6L 4 Cyl 16v, SOHC	DG0 = All Automatics
P = Premium				DBB = All 5 Speed Manual
X = R/T				

AR = Use as required - = Non illustrated part # = New this model year

April 9, 2002

Group – 019

Steering

GROUP 19 - Steering

Illustration Title

Group-Fig. No.

Steering Wheel

Wheel, Steering Fig. 019-105

Steering Column

Column, Steering, Upper and Lower Fig. 019-205

Steering Gear

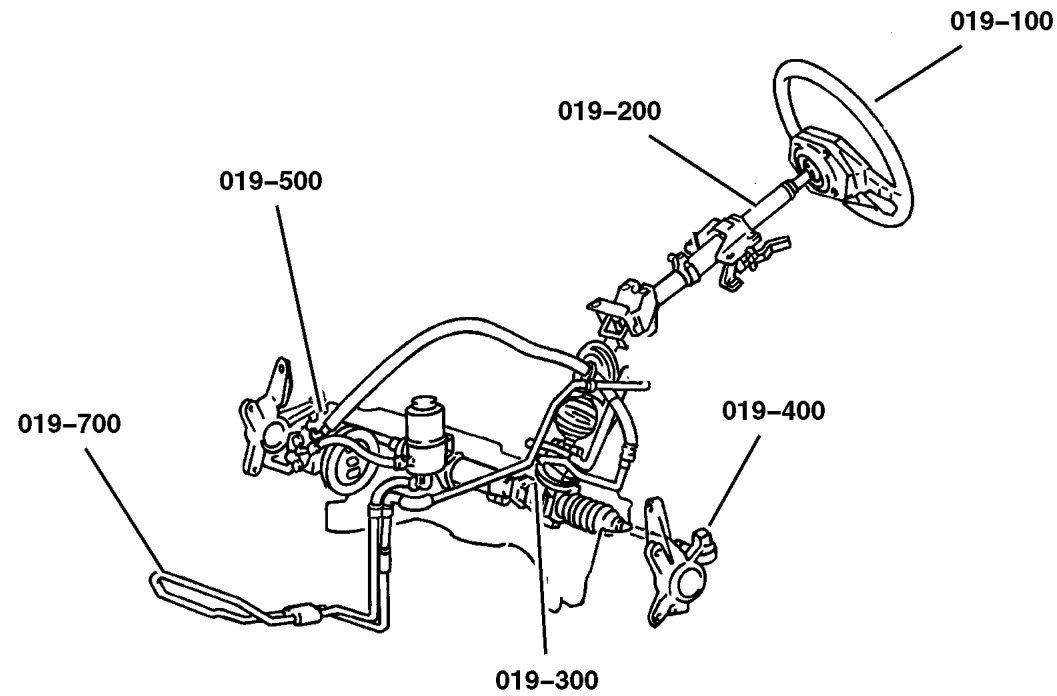
Gear, Rack and Pinion and Attaching Parts Fig. 019-305

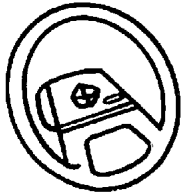
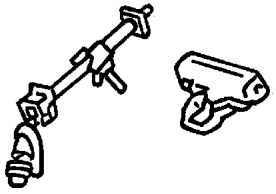
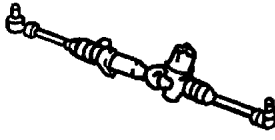
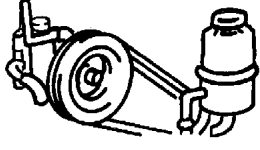
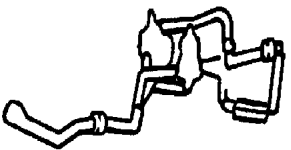
Power Steering Pump

Pump, Assembly and Mounting Fig. 019-505

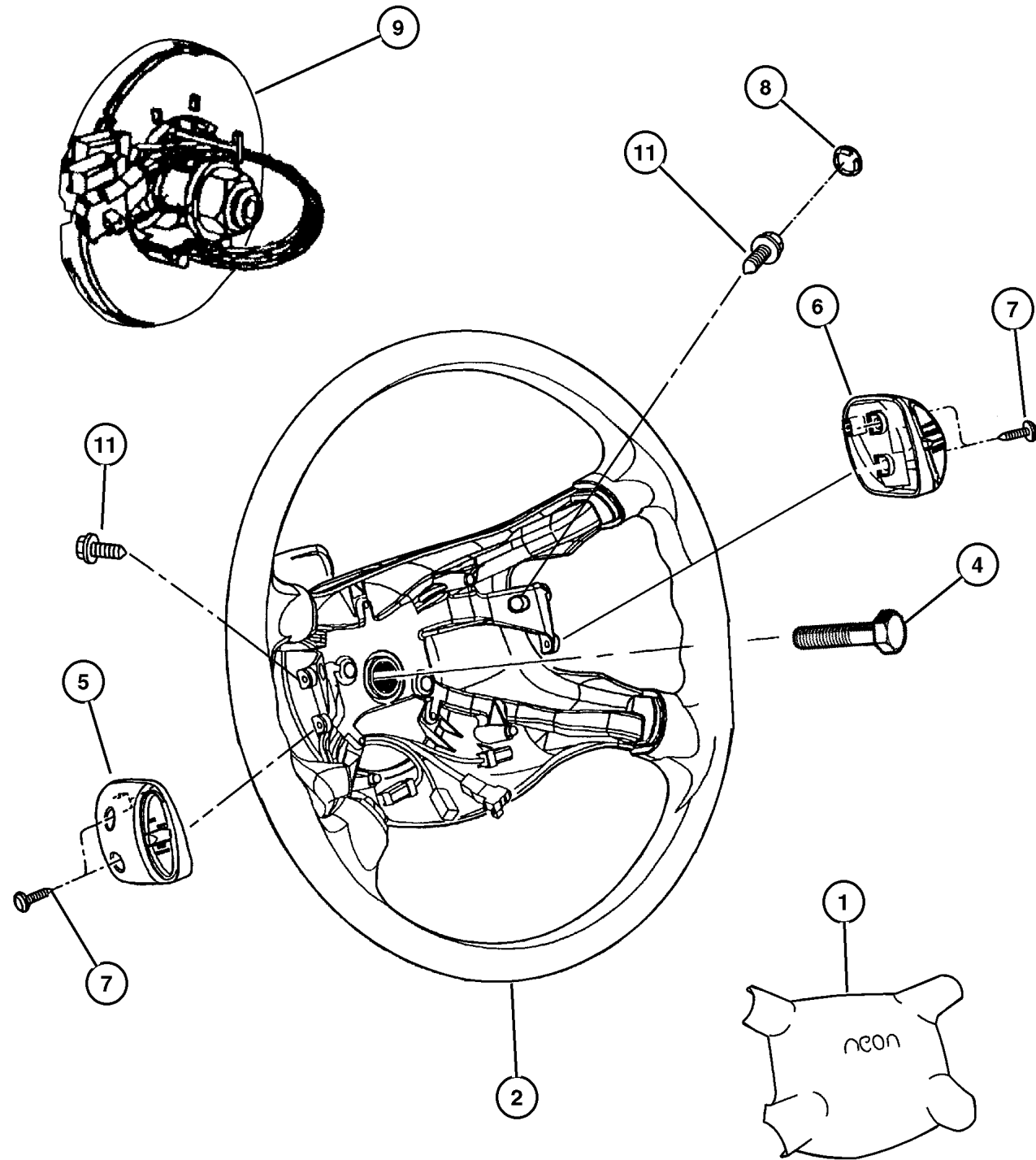
Power Steering Hoses

Hoses, Power Steering Fig. 019-705



<p>019-100 Steering Wheel</p> 	<p>019-200 Steering Column</p> 	<p>019-300 Steering Gear</p> 	<p>019-500 Power Steering Pump</p> 
<p>019-700 Power Steering Hoses</p> 			

Wheel, Steering Figure 019-105



ITEM	PART NUMBER	QTY	LINE	SERIES	ENGINE	TRANS	DESCRIPTION
1							AIR BAG, Driver
	UY92 WL8AA	1	C, Z				Chrysler I.D. [L5]
	UY92 XDVAA	1	C, Z				Chrysler I.D. [DV]
	UY92 WL8AA	1	D				Chrysler I.D. [L5]
	UY92 XDVAA	1	D				Chrysler I.D. [DV]
	UY93 WL8AA	1	D				Dodge I.D. [L5]
	UY93 XDVAA	1	D				Dodge I.D. [DV]
2							WHEEL, Steering
	UF64 WL8AA	1					without Cruise Control [L5]
	UF64 XDVAA	1					without Cruise Control [DV]
	UF65 1DVAA	1					Leather, without Cruise Control [DV]
	UF65 1L8AA	1					Leather, without Cruise Control [L5]
	UF66 WL8AA	1					With Cruise Control [L5]
	UF66 XDVAA	1					With Cruise Control [DV]
	UF67 1DVAA	1					Leather, with Cruise Control [DV]
	UF67 1L8AA	1					Leather, with Cruise Control [L5]
-3							PAD, Steering Wheel
	UZ01 WL8AA	1					Without Airbag [L5] [MEXICO ONLY]
	UZ01 XDVAA	1					Without Airbag [DV] [MEXICO ONLY]
4	6505 656AA	1					SCREW, Hex Flange Head, M10x1.5x35., Steering Wheel Attaching
5							SWITCH, Speed Control
	QA76 1L8	1					On/Off Set Cruise [L5]
	QA76 1DV	1					On/Off Set Cruise [DV]
6							SWITCH, Speed Control
	QA77 1DV	1					Accel Resume/Canc Coast [DV]
	QA77 1L8	1					Accel Resume/Canc Coast [L5]
7	0154 613	4					SCREW, Pan Head Tapping, .164-32x.625
8							PLUG, Steering Wheel Pad
	SN38 WL8AA	2					Base Back Cover [L5]
	SN38 XDVAA	2					Base Back Cover [DV]
9							CLOCKSPRING
	4671 753AB	1					One Circuit, Mexico
	4793 583AB	1					Three Circuit
	4793 585AB	1					Three Circuit, with Speed Control
-10							COVER, Steering Wheel Back, Serviced with Steering Wheel, (NOT SERVICED)
11	6505 850AA	2					SCREW, M6x1.00x12.00
-12							LABEL, Airbag
	4783 055AB	1					On Visor [French]
	4783 054AB	1					On Visor [English]
	4897 875AA	1					For Maintenance

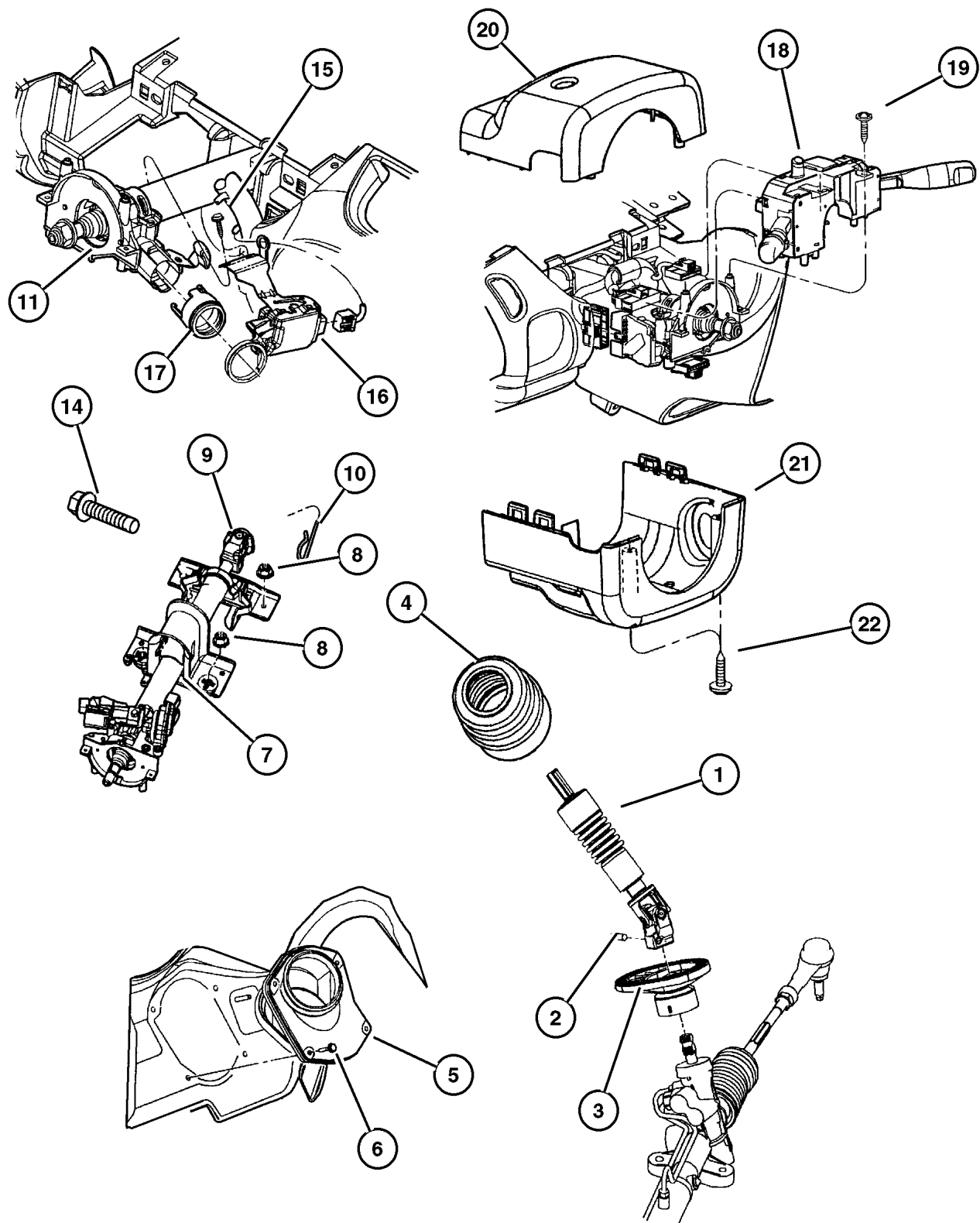
DODGE - CHRYSLER NEON (PL)

SERIES	LINE	BODY	ENGINE	TRANSMISSION
L=Low Line	Z= Chrysler, RHD	41 = 4 Door,	ECB = 2.0L 4 Cyl. , 16V SMPI	DD5 = 5 Speed Manual
H=High Line	D= Dodge	104WB	ECH = 2.0L 4 Cyl, 16V SOHC	DGL = 4 Speed Automatic
S = Special	C= Chrysler		EJD, EJ0 = 1.6L 4 Cyl 16v, SOHC	DG0 = All Automatics
P = Premium				DBB = All 5 Speed Manual
X = R/T				

AR = Use as required - = Non illustrated part # = New this model year

April 9, 2002

**Column, Steering, Upper and Lower
Figure 019-205**



ITEM	PART NUMBER	QTY	LINE	SERIES	ENGINE	TRANS	DESCRIPTION
SALES CODE: n key.							
[DGL]=4-SPD. AUTOMATIC,41TE n key.							
[DD5]=5-SPEED MANUAL n key.							
1							COUPLING, Steering, Lower
	4664 216AB	1	C, D				
	4664 222AB	1	Z				
2	6503 985	1					PIN, Spring, M8.4x30x1.60
3	4664 221AA	1					SEAL, Steering Column Shaft
4	4664 217AA	1					SEAL, Steering Column Shaft
5							COVER, Steering Column
	4664 220AA	1	Z				
	4664 219AA	1	C, D				
6	6504 456	4					SCREW, Tapping, Dash Cover To Floor
7							COLUMN, Steering, Tilt
	#4664 224AD	1	Z			DGL	
	#4664 224AF	1	C, D			DGL	With Tilt, Export
	4664 225AD	1	C, D			DD5	With Tilt, Export
		1	Z			DD5	
	4690 518AD	1	C, D			DGL	With Tilt
	4690 519AD	1	C, D			DD5	With Tilt
8	6503 182	4					NUT AND WASHER, Hex Lock Nut-Coned Teeth
							Washer, M8 x 1.25
9							COUPLING, Steering Upper
	4470 934	1	C, D			DGL	
		1	C, D			DD5	
		1	Z			DD5	
		1	Z			DGL	
10	5015 626AA	1					PIN, Hair, .250 Dia x.766x.059
11							HOUSING, Steering Column
	4690 685AA	1	C, D			DD5	
		1	Z			DD5	
-12							BEARING, Steering Column Shaft
	4147 362AB	1	C, D			DGL	
		1	C, D			DD5	
		1	Z			DD5	
		1	Z			DGL	
-13							O RING, Tilt Handle Damper
	4690 327	1	C, D			DGL	
		1	C, D			DD5	
		1	Z			DD5	
		1	Z			DGL	
14	5015 627AA	1					BOLT, Special Head Locking, M8x1.25x42.50

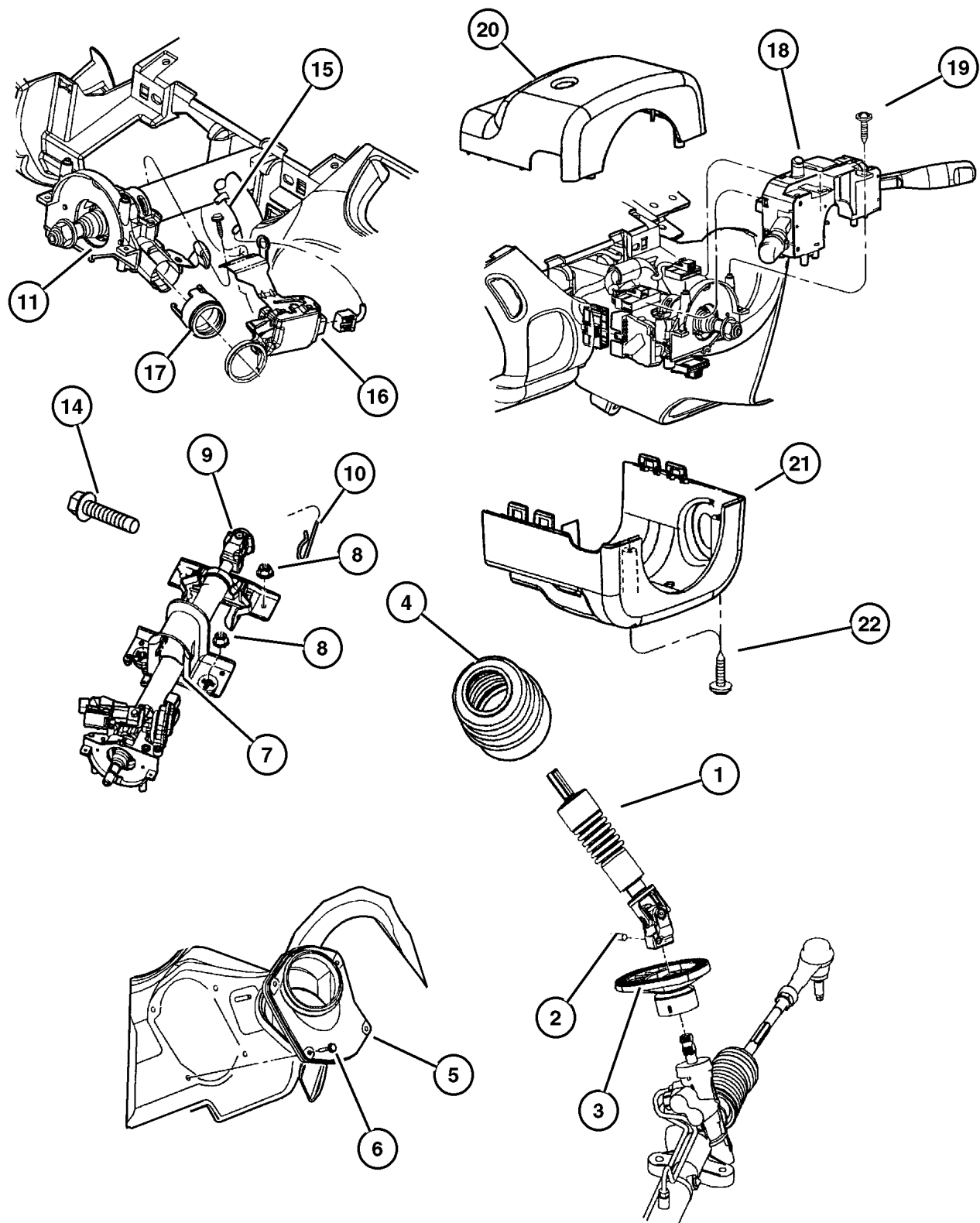
DODGE - CHRYSLER NEON (PL)

SERIES	LINE	BODY	ENGINE	TRANSMISSION
L=Low Line	Z= Chrysler, RHD	41 = 4 Door,	ECB = 2.0L 4 Cyl. , 16V SMPI	DD5 = 5 Speed Manual
H=High Line	D= Dodge	104WB	ECH = 2.0L 4 Cyl, 16V SOHC	DGL = 4 Speed Automatic
S = Special	C= Chrysler		EJD, EJO = 1.6L 4 Cyl 16v, SOHC	DG0 = All Automatics
P = Premium				DBB = All 5 Speed Manual
X = R/T				

AR = Use as required - = Non illustrated part # = New this model year

April 9, 2002

**Column, Steering, Upper and Lower
Figure 019-205**



ITEM	PART NUMBER	QTY	LINE	SERIES	ENGINE	TRANS	DESCRIPTION
15	0154 844	2					SCREW, Tapping, .164-32x0250
16	#4671 722AD	1					MODULE, Immobilizer
17	4664 232AA	1					RING, Ignition, Steering Column
18							SWITCH, Multifunction
	5073 044AA	1	C, D				With Intermittent Wipers, without Fog Lamps
	5073 045AA	1	C, D				With Fog Lamp
		1	D, P	H			
	5073 046AA	1					Rear Fog Lamp
	5073 047AA	1					With Front and Rear Fog Lamps
19							SCREW AND WASHER, Self Tapping, M4x.7x14, (NOT SERVICED)
20							SHROUD, Steering Column, Upper
	QK45 WL8	1				DD5	[L5]
	QK45 XDV	1				DD5	[DV]
	QK45 WL8	1				DGL	[L5]
	QK45 XDV	1				DGL	[DV]
21							SHROUD, Steering Column, Lower
	QK49 WL8	1				DD5	[L5]
	QK49 XDV	1				DD5	[DV]
	QK48 WL8	1				DGL	[L5]
	QK48 XDV	1				DGL	[DV]
22	6035 434	2					SCREW AND WASHER, Pan Head

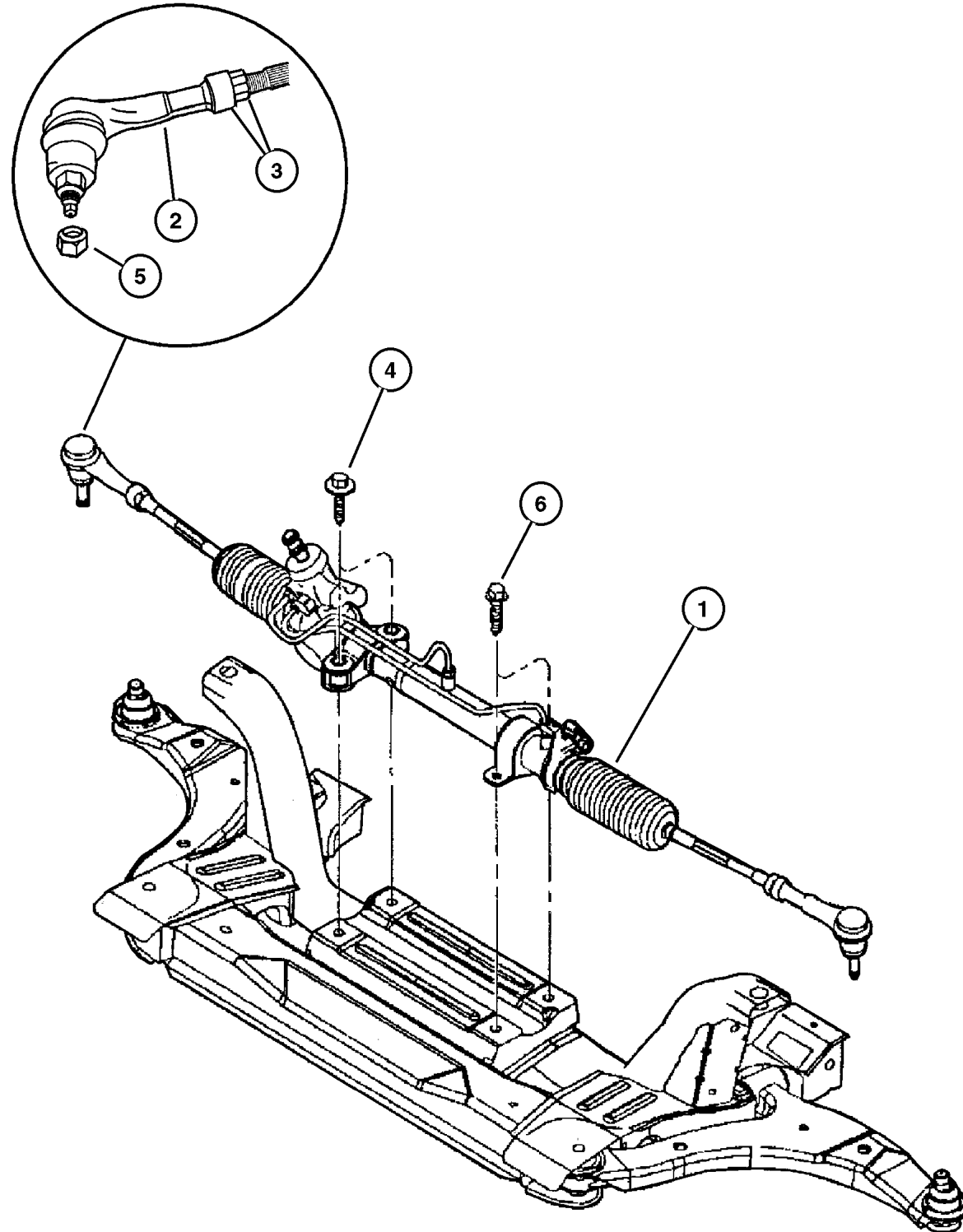
DODGE - CHRYSLER NEON (PL)

SERIES	LINE	BODY	ENGINE	TRANSMISSION
L=Low Line	Z= Chrysler, RHD	41 = 4 Door,	ECB = 2.0L 4 Cyl. , 16V SMPI	DD5 = 5 Speed Manual
H=High Line	D= Dodge	104WB	ECH = 2.0L 4 Cyl, 16V SOHC	DGL = 4 Speed Automatic
S = Special	C= Chrysler		EJD, EJO = 1.6L 4 Cyl 16v, SOHC	DG0 = All Automatics
P = Premium				DBB = All 5 Speed Manual
X = R/T				

AR = Use as required - = Non illustrated part # = New this model year

April 9, 2002

Gear, Rack and Pinion and Attaching Parts Figure 019-305



ITEM	PART NUMBER	QTY	LINE	SERIES	ENGINE	TRANS	DESCRIPTION
SALES CODE: n key.							
[SBA]=POWER n key.							
[SBB]=FIRM FEEL POWER n key.							
[SBP]=PERFORMANCE n key.							
[DD5]= 5-SPEED MANUAL n key.							
[DGL]= 4-SPD. AUTOMATIC [41TE] n key.							
1							GEAR, Power Steering
	#5272 490AE	1	C, D			DGL	[SBB]
	#5272 643AD	1	C, D			DD5	[SBB]
	#5272 500AE	1	C, D				[SBA]
	#5272 866AB	1	C, D				[SBP]
	#5272 480AG	1	Z				[SBB, SBP]
2							END PACKAGE, Tie Rod
	4762 861AA	1	Z				
		1	C, D				
3							JAM NUT, Outer Tie Rod
	5015 316AA	1	Z			DGL	
		1	Z			DD5	
		1	C, D				
4	6505 606AA	2					SCREW, Hex Head, Steering Gear to Crossmember
5	6503 046	2					NUT, Hex Lock, M12 x 1.25
6	6506 204AA	2					SCREW, Hex Head

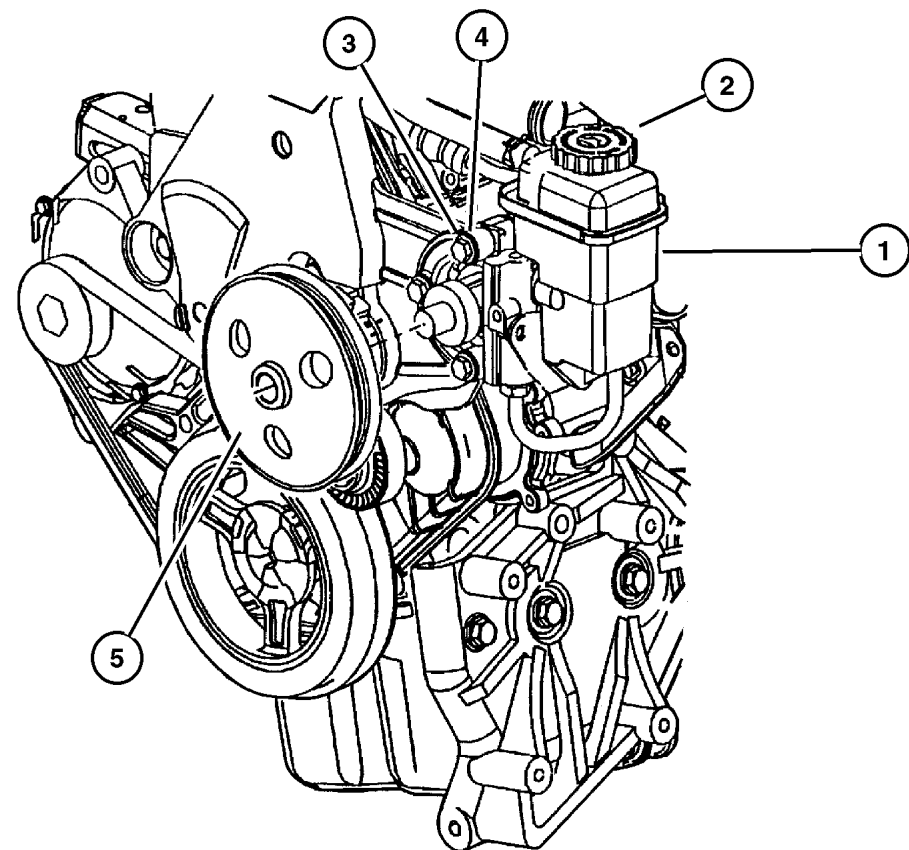
DODGE - CHRYSLER NEON (PL)

SERIES	LINE	BODY	ENGINE	TRANSMISSION
L=Low Line	Z= Chrysler, RHD	41 = 4 Door,	ECB = 2.0L 4 Cyl. , 16V SMPI	DD5 = 5 Speed Manual
H=High Line	D= Dodge	104WB	ECH = 2.0L 4 Cyl, 16V SOHC	DGL = 4 Speed Automatic
S = Special	C= Chrysler		EJD, EJ0 = 1.6L 4 Cyl 16v, SOHC	DG0 = All Automatics
P = Premium				DBB = All 5 Speed Manual
X = R/T				

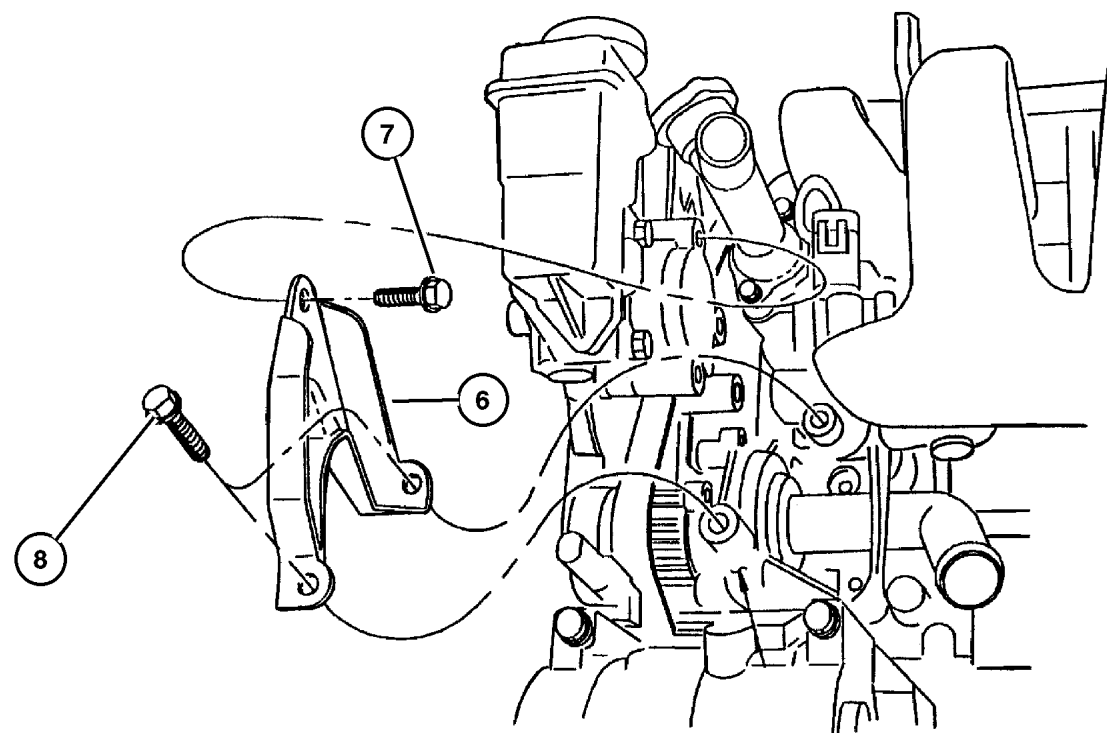
AR = Use as required - = Non illustrated part # = New this model year

April 9, 2002

**Pump, Assembly and Mounting
Figure 019-505**



ITEM	PART NUMBER	QTY	LINE	SERIES	ENGINE	TRANS	DESCRIPTION
NOTE: Sales Codes n key.							
[EBD]=1.8L 4 Cyl. SOHC 16 Valve n key.							
[ECB]=2.0L 4 Cyl. SOHC 16 Valve n key.							
[ECH]=2.0L 4Cyl.. SOHC 16 Valve Hi Perf. n key.							
1	#5272 328AE	1			ECB, ECH		PUMP, Power Steering
2	5066 063AA	1			ECB, ECH		CAP, Power Steering Reservoir
3	6101 506	2			EJD		BOLT AND CONED WASHER, M8x1.25x18, Reservoir Mtg
4	6101 614	3			ECB, ECH		SCREW AND WASHER, Hex Head, M8x1.25x45, Reservoir Mtg
5							PULLEY, Power Steering Pump
	4668 252	1			ECB, ECH		
	4668 450AA	1			EJD		
6	4668 785AA	1			ECB, ECH		STRUT, Power Steering Pump
7	6101 767	2			ECB, ECH		SCREW AND WASHER, M8x1.25x25, Strut Att
8	6101 503	2			ECB, ECH		SCREW AND WASHER, Hex Head, M10x1.5x25, Strut Att

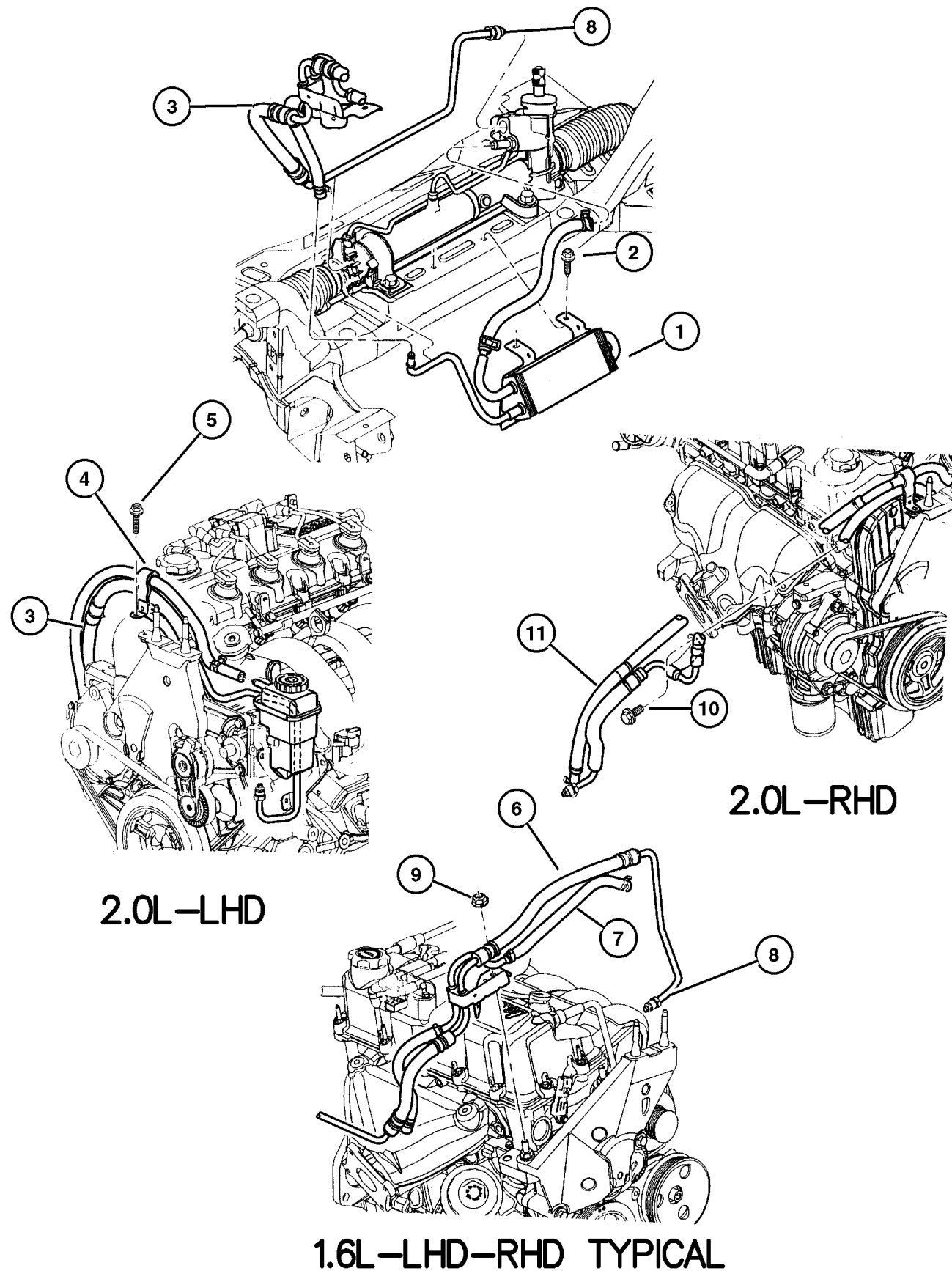


DODGE - CHRYSLER NEON (PL)				
SERIES	LINE	BODY	ENGINE	TRANSMISSION
L=Low Line	Z= Chrysler, RHD	41 = 4 Door,	ECB = 2.0L 4 Cyl. , 16V SMPI	DD5 = 5 Speed Manual
H=High Line	D= Dodge	104WB	ECH = 2.0L 4 Cyl, 16V SOHC	DGL = 4 Speed Automatic
S = Special	C= Chrysler		EJD, EJO = 1.6L 4 Cyl 16v, SOHC	DG0 = All Automatics
P = Premium				DBB = All 5 Speed Manual
X = R/T				

AR = Use as required - = Non illustrated part # = New this model year

April 9, 2002

Hoses, Power Steering Figure 019-705



ITEM	PART NUMBER	QTY	LINE	SERIES	ENGINE	TRANS	DESCRIPTION
Sales code: n key.							
EJD= 1.6L 4 CYL SOHC 16V SMPI n key.							
ECB=2.0L 4 CYL SOHC 16V SMPI n key.							
ECH=2.0L 4 CYL SOHC 16V HI PERF n key.							
DD5= 5-SPEED MANUAL n key.							
DGL= 4-SPD. AUTOMATIC,41TE n key.							
1							COOLER, Power Steering
	5272 334AA	1	C, D				
	5272 336AA	1	Z				
2	6505 911AA	2					SCREW, Hex Head, Cooler Mounting
3	#5272 278AC	1	C, D		ECB, ECH		HOSE ASSEMBLY, P/S PRESSURE AND RETURN
4							CLAMP, Service in Hose Assy, (NOT SERVICED)
5	6506 210AA	1					SCREW
6							HOSE, Power Steering Pressure
	5272 847AB	1	C, D		EJD		
	5272 848AB	1	Z		EJD		
7							HOSE, Power Steering Return
	5272 845AB	1	C, D		EJD		
	5272 844AB	1	Z		EJD		
8							NUT, Tube Pressure Hose (Service with the Hose) , (NOT SERVICED)
9	6101 695	1			ECB, ECH, EJD		NUT, Hex Flange Lock, M8x1.25
10	6101 506	1			ECB, ECH		BOLT AND CONED WASHER, M8x1.25x18
11	#5272 279AC	1	Z		ECB, ECH		HOSE ASSEMBLY, P/S PRESSURE AND RETURN
-12							SWITCH, Power Steering
	5269 625	1	C, D			DGL	
		1	Z			DGL	
		1	C, D			DD5	
		1	Z			DD5	

DODGE - CHRYSLER NEON (PL)

SERIES	LINE	BODY	ENGINE	TRANSMISSION
L=Low Line	Z= Chrysler, RHD	41 = 4 Door,	ECB = 2.0L 4 Cyl. , 16V SMPI	DD5 = 5 Speed Manual
H=High Line	D= Dodge	104WB	ECH = 2.0L 4 Cyl, 16V SOHC	DGL = 4 Speed Automatic
S = Special	C= Chrysler		EJD, EJ0 = 1.6L 4 Cyl 16v, SOHC	DG0 = All Automatics
P = Premium				DBB = All 5 Speed Manual
X = R/T				

AR = Use as required - = Non illustrated part # = New this model year

April 9, 2002

Group – 41TE-AE

Automatic Transaxle 4 Speed

GROUP 41TE-AE - Automatic Transaxle 4 Speed

Illustration Title

Group-Fig. No.

Transaxle Assembly

Transaxle Assembly Fig. 41TE-AE-110

Case and Extension

Transmission Mounting & Mics. Parts [DGL] 41 TE Fig. 41TE-AE-210

Case, Extension and Solenoid Fig. 41TE-AE-220

Oil Pump

Oil Pump with Reaction Shaft Fig. 41TE-AE-310

Gear Train

Shaft Transfer Fig. 41TE-AE-410

Clutch, Input Shaft Fig. 41TE-AE-420

Gear Train Fig. 41TE-AE-430

Valve Body

Valve Body Fig. 41TE-AE-710

Accumulator Piston and Springs Fig. 41TE-AE-720

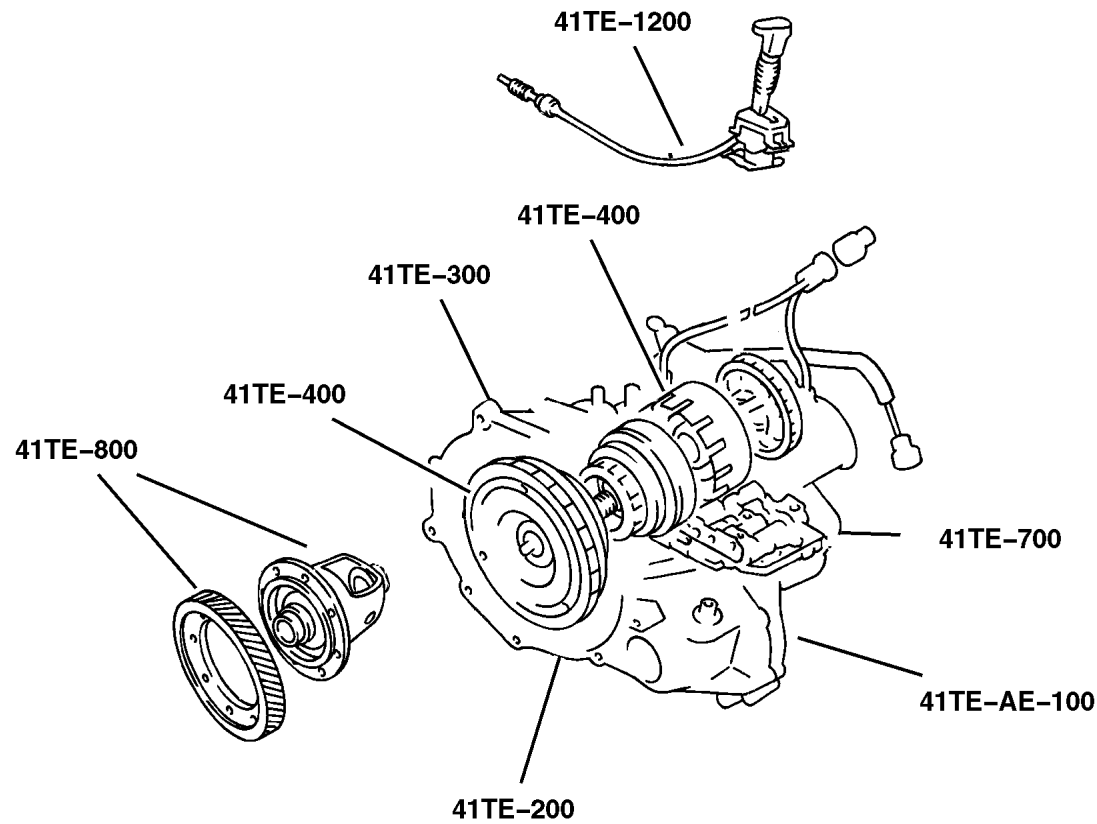
Parking Sprag Fig. 41TE-AE-730




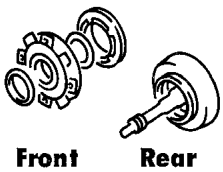

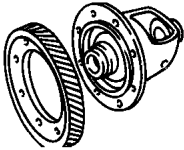
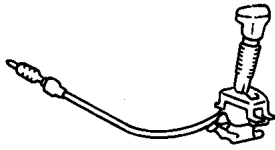
Differential

Differential Fig. 41TE-AE-810

Gearshift Controls

Controls, Floor Shift Fig. 41TE-AE-1210



<p>41TE-AE-100 Transaxle Assembly</p> 	<p>41TE-AE-200 Case and Extension</p> 	<p>41TE-AE-300 Oil Pump</p> 	<p>41TE-AE-400 Gear Train</p> 
<p>41TE-AE-700 Valve Body</p> 	<p>41TE-AE-800 Differential</p> 	<p>41TE-AE-1200 Gearshift Controls</p> 	

**Transaxle Assembly
Figure 41TE-AE-110**

ITEM	PART NUMBER	QTY	LINE	SERIES	ENGINE	TRANS	DESCRIPTION
------	-------------	-----	------	--------	--------	-------	-------------

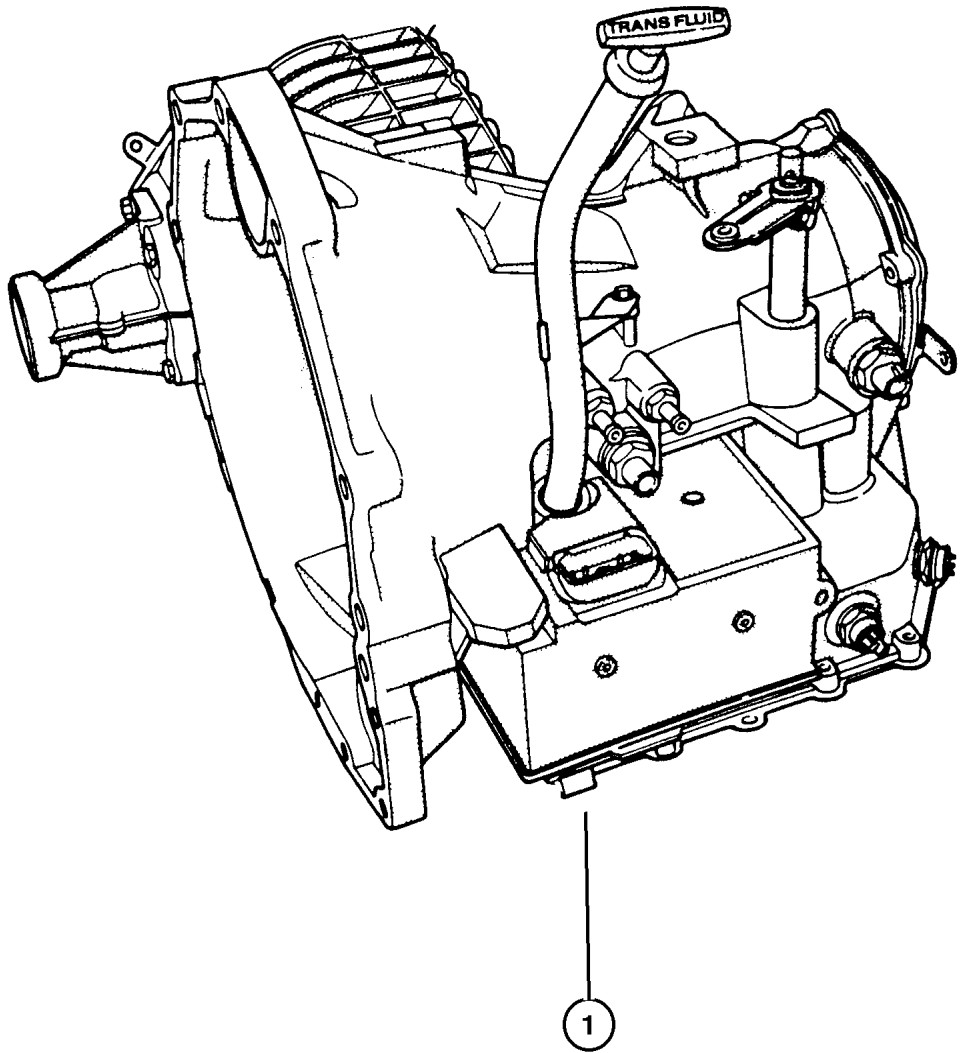
Note; Sales Codes n key.

[DGC]= 3 Speed Automatic Transmissions n key.

[DGL]= 4 Speed Automatic Transmissions 41TE n key.

[ECB]= 2.0L 4 Cylinder Single Overhead Cam 16 Valve Engines n key.

1	#5069 269AB	1			ECB	DGL	TRANSAXLE PACKAGE, WITH TORQUE CONVERTER, Production Number 4800269AB
-2	4796 384AC	1			ECB	DGL	CONVERTER PACKAGE, Torque



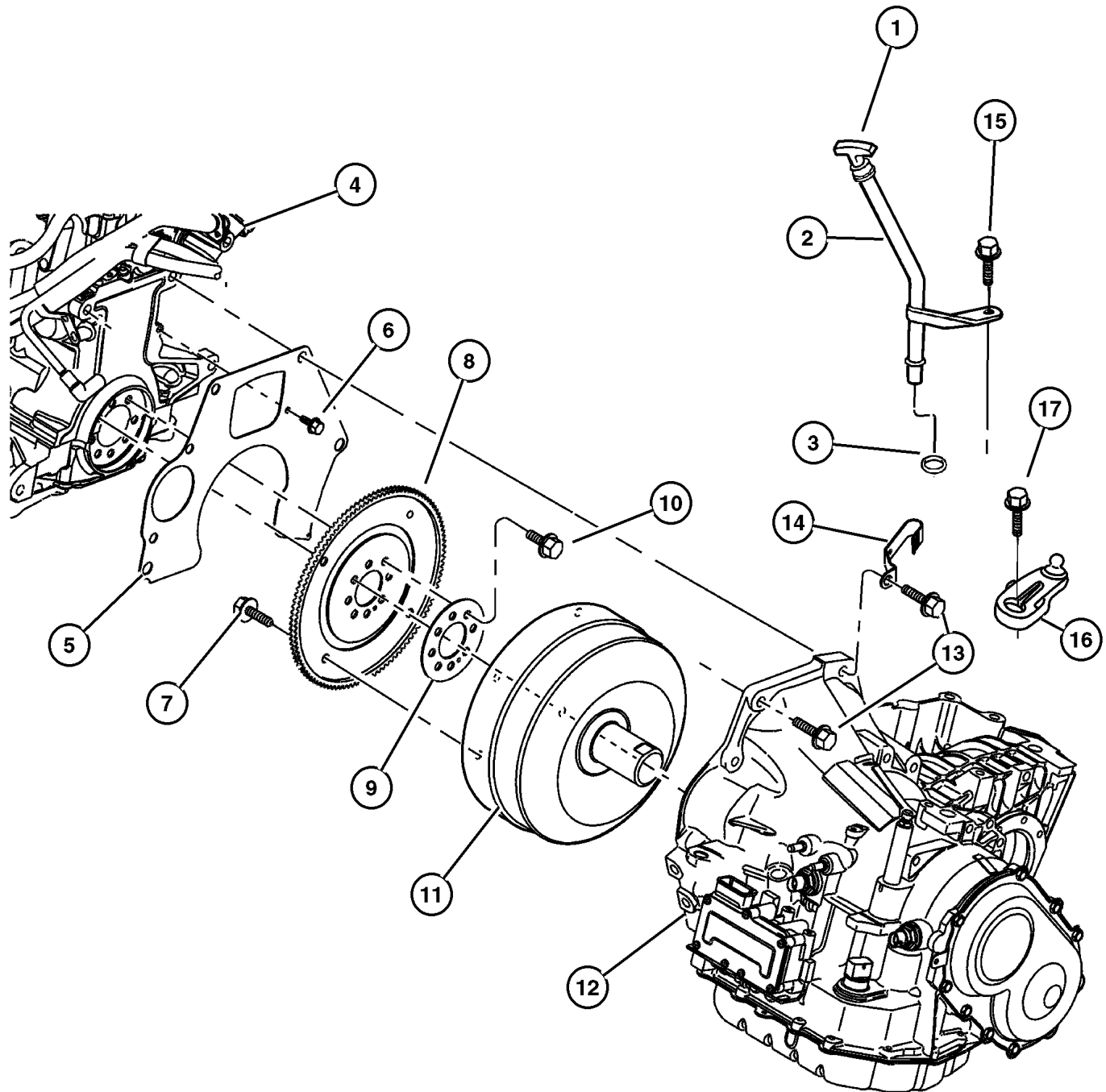
DODGE - CHRYSLER NEON (PL)

SERIES	LINE	BODY	ENGINE	TRANSMISSION
L=Low Line	Z= Chrysler, RHD	41 = 4 Door,	ECB = 2.0L 4 Cyl. , 16V SMPI	DD5 = 5 Speed Manual
H=High Line	D= Dodge	104WB	ECH = 2.0L 4 Cyl, 16V SOHC	DGL = 4 Speed Automatic
S = Special	C= Chrysler		EJD, EJO = 1.6L 4 Cyl 16v, SOHC	DG0 = All Automatics
P = Premium				DBB = All 5 Speed Manual
X = R/T				

AR = Use as required - = Non illustrated part # = New this model year

April 9, 2002

Transmission Mounting & Mics. Parts [DGL] 41 TE
Figure 41TE-AE-210



ITEM	PART NUMBER	QTY	LINE	SERIES	ENGINE	TRANS	DESCRIPTION
NOTE: n key.							
Sales Codes: n key.							
DGL = 4 Spd Auto Trans 41TE n key.							
ECB=2.0L 16-V 4 Cyl. Engine n key.							
EDZ=2.4L 16-V 4 Cyl. Engine n key.							
EJD=1.6L 16-V 4 Cyl. Engine n key.							
1	#4668 621AC	1			ECB	DGL	INDICATOR, Transmission Fluid Level
2	4668 620AC	1			ECB	DGL	TUBE, Transmission Oil Filler
3	6030 608	1				DGL	SEAL, Oil Filler Tube
4							ENGINE, Complete, See Engine Group, (NOT SERVICED)
5	4668 672AA	1			ECB	DGL	COVER, Transmission Dust
6	6501 755	1				DGL	SCREW AND WASHER, Hex Head, M6x1x16
7	6504 383	4				DGL	BOLT, Hex Head, M10x1.50 x 13.20
8	4567 143	1				DGL	PLATE, Drive Plate
9	4471 933	1				DGL	PLATE, Drive Plate Backing
10	6503 465	8				DGL	BOLT, Drive Plate and Flywheel
11	4796 384AC	1			ECB	DGL	CONVERTER PACKAGE, Torque
12	#5069 269AB	1			ECB	DGL	TRANSAXLE PACKAGE, WITH TORQUE CONVERTER
13	6501 742	3				DGL	SCREW, Hex Head, M12x1.75x50
14	4608 404	1					CLIP, Transaxle
15	6501 755	1				DGL	SCREW AND WASHER, Hex Head, M6x1x16
16	4670 322	1				DGL	LEVER, Manual Control
17	6101 695	1			ECB, ECH,	EJD	NUT, Hex Flange Lock, M8x1.25

DODGE - CHRYSLER NEON (PL)

SERIES	LINE	BODY	ENGINE	TRANSMISSION
L=Low Line	Z= Chrysler, RHD	41 = 4 Door,	ECB = 2.0L 4 Cyl. , 16V SMPI	DD5 = 5 Speed Manual
H=High Line	D= Dodge	104WB	ECH = 2.0L 4 Cyl, 16V SOHC	DGL = 4 Speed Automatic
S = Special	C= Chrysler		EJD, EJO = 1.6L 4 Cyl 16v, SOHC	DG0 = All Automatics
P = Premium				DBB = All 5 Speed Manual
X = R/T				

AR = Use as required - = Non illustrated part # = New this model year

April 9, 2002

**Case, Extension and Solenoid
Figure 41TE-AE-220**

ITEM	PART NUMBER	QTY	LINE	SERIES	ENGINE	TRANS	DESCRIPTION
------	-------------	-----	------	--------	--------	-------	-------------

Note: Sales Codes n key.

[DGL]= 4 Speed Automatic Transmissions 41TE n key.

[ECB]= 2.0L 4 Cylinder SOHC 16V SMPI n key.

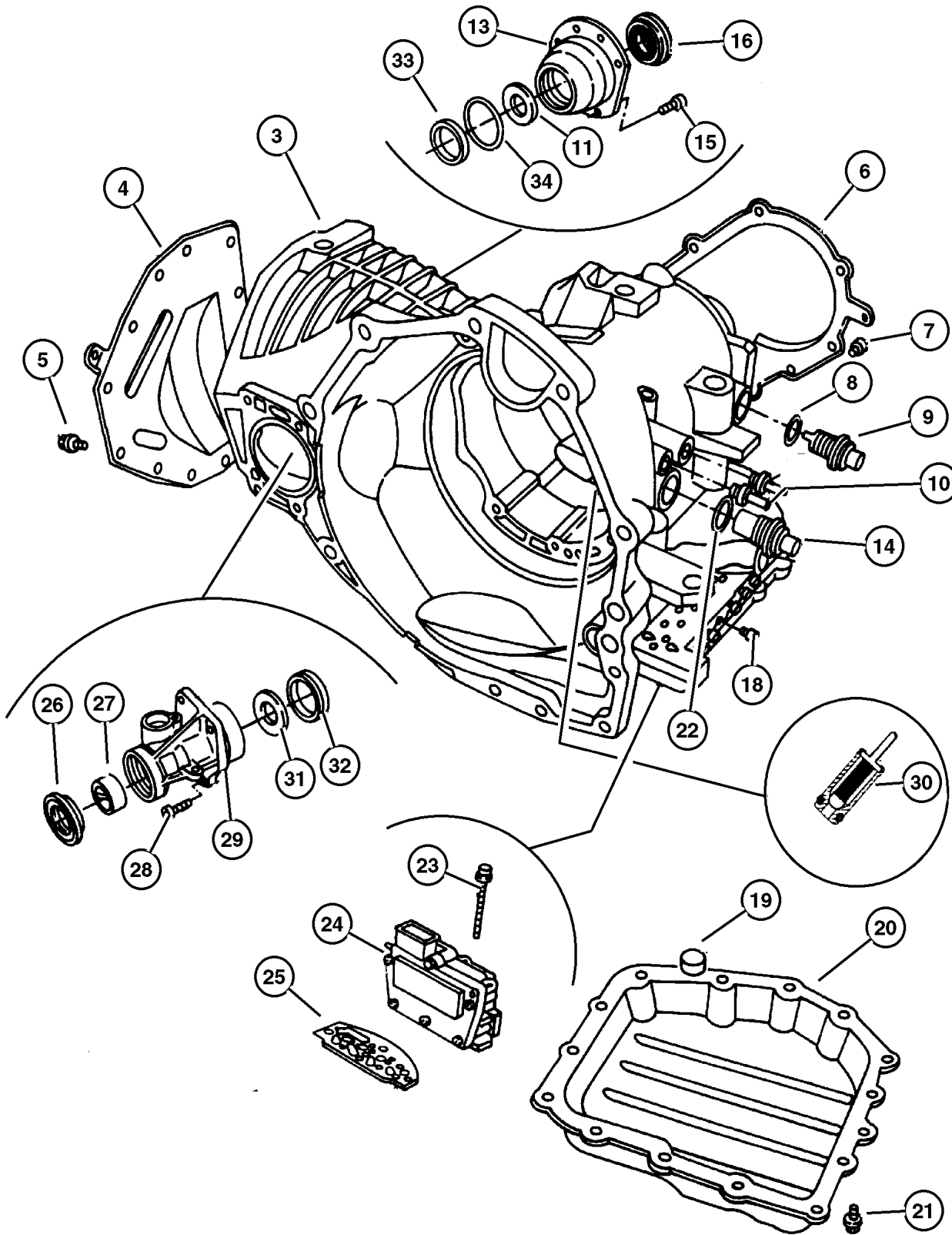
-1	5016 131AD	1			ECB	DGL	SEAL AND GASKET PACKAGE, Transmission
-2	5016 130AD	1			ECB	DGL	OVERHAUL PACKAGE, Transaxle
3	4883 522AA	1			ECB	DGL	CASE, Transaxle
4	4659 520	1			ECB	DGL	PAN, Transaxle Differential Oil
5	6501 755	1				DGL	SCREW AND WASHER, Hex Head, M6x1x16
6	4659 636	1			ECB	DGL	COVER, Transaxle Rear
7	6501 755	1				DGL	SCREW AND WASHER, Hex Head, M6x1x16
8	6501 549	1			ECB	DGL	O RING, Accumulator, Transmission
9	4659 676AC	1			ECB	DGL	SENSOR, Transmission Range
10	4809 377AA	2			ECB	DGL	CONNECTOR, Oil Cooler Hose
11	4659 290	1			ECB	DGL	DAM, Differential Extension Oil
-12	4567 494	1			ECB	DGL	RETAINER, Transmission Extension Oil
13	4659 736	1			ECB	DGL	RETAINER, Differential Bearing
14	4800 878	1			ECB	DGL	SENSOR, Transmission Input Speed
15	6504 256	6			ECB	DGL	SCREW, Hex Flange Head, M8x1.25x33.00
16	4412 522AB	1			ECB	DGL	SEAL
-17	4762 418AB	1			ECB	DGL	SEAL, Differential Case
18	6036 053AA	6			ECB	DGL	PLUG, Pressure Check
19	4446 728	1			ECB	DGL	MAGNET, Transmission
20	4431 997	1			ECB	DGL	PAN, Transmission Oil
21	6501 755	1				DGL	SCREW AND WASHER, Hex Head, M6x1x16
22	6501 658AB	1			ECB	DGL	O RING, Trans Speed Sensor
23	6506 194AA	3			ECB	DGL	SCREW AND WASHER, Hex Head, M6x1x93.5
24	5015 646AC	1			ECB	DGL	SOLENOID PACKAGE, Valve Body
25	4659 982	1			ECB	DGL	GASKET, Transmission Solenoid
26	4412 522AB	1			ECB	DGL	SEAL
27							BUSHING, BUSHING, Transmission Extension (Serviced in Extension), (NOT SERVICED)
28	6500 511	4			ECB	DGL	SCREW, Flange Head, M8x1.25x33
29	4567 506	1			ECB	DGL	CASE, Transaxle Rear
30	4659 946AB	1			ECB	DGL	VALVE, Cooler Bypass
31	4567 494	1			ECB	DGL	RETAINER, Transmission Extension Oil
32	4567 022	1			ECB	DGL	BEARING CUP, Differential
33	4659 237	1			ECB	DGL	CUP, Differential Side Bearing
34	4659 257	AR			ECB	DGL	SPACER, Final Drive, 0.98mm
-35	4659 258	AR			ECB	DGL	SPACER, Final Drive, 1.02mm
-36	4659 259	AR			ECB	DGL	SPACER, Final Drive, 1.06mm
-37	4659 260	AR			ECB	DGL	SPACER, Final Drive, 1.10mm

DODGE - CHRYSLER NEON (PL)

SERIES	LINE	BODY	ENGINE	TRANSMISSION
L=Low Line	Z= Chrysler, RHD	41 = 4 Door,	ECB = 2.0L 4 Cyl. , 16V SMPI	DD5 = 5 Speed Manual
H=High Line	D= Dodge	104WB	ECH = 2.0L 4 Cyl, 16V SOHC	DGL = 4 Speed Automatic
S = Special	C= Chrysler		EJD, EJ0 = 1.6L 4 Cyl 16v, SOHC	DG0 = All Automatics
P = Premium				DBB = All 5 Speed Manual
X = R/T				

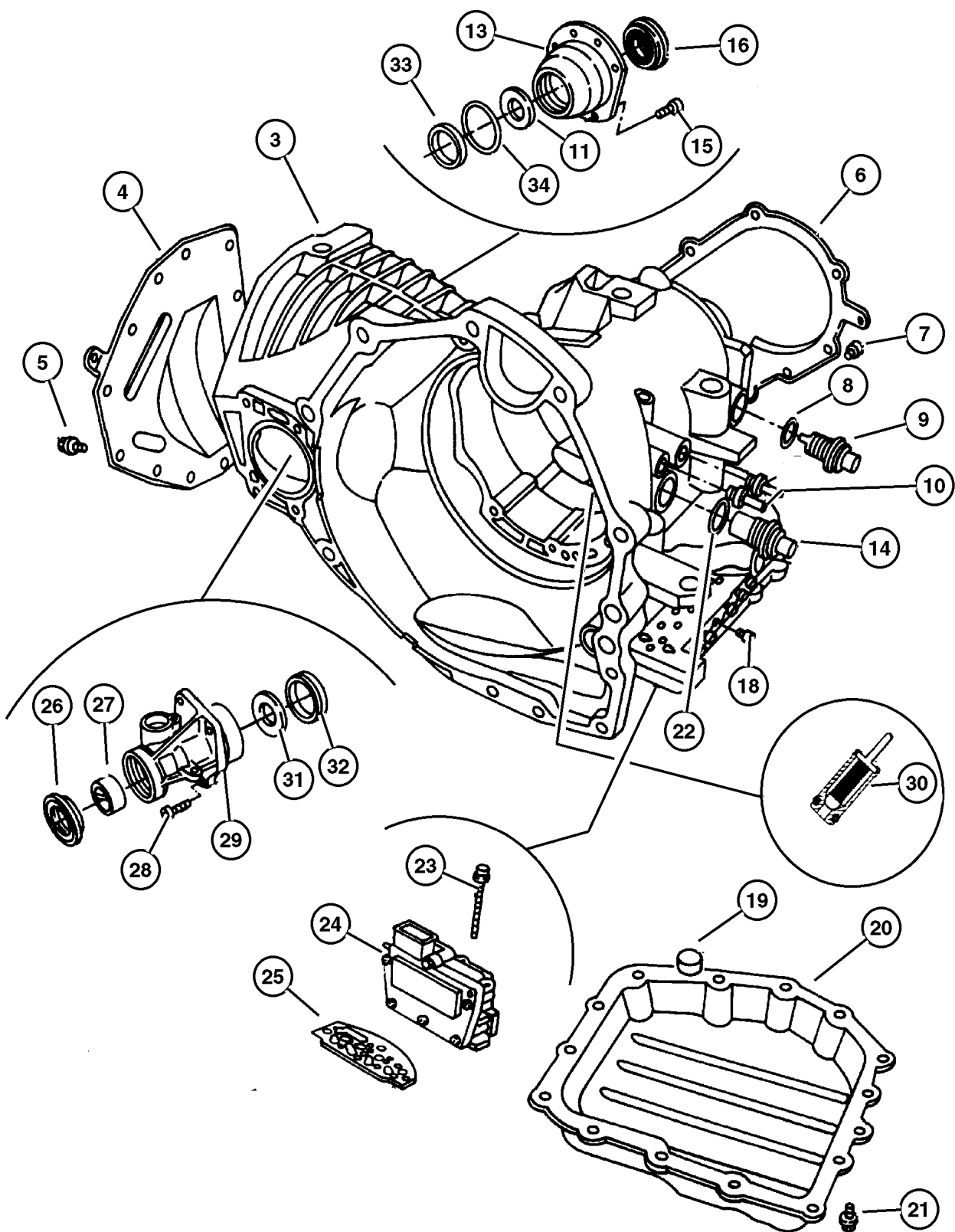
AR = Use as required - = Non illustrated part # = New this model year

April 9, 2002



**Case, Extension and Solenoid
Figure 41TE-AE-220**

ITEM	PART NUMBER	QTY	LINE	SERIES	ENGINE	TRANS	DESCRIPTION
-38	4659 261	AR			ECB	DGL	SPACER, Final Drive, 1.14mm
-39	4659 262	AR			ECB	DGL	SPACER, Final Drive, 1.18mm
-40	4659 263	AR			ECB	DGL	SPACER, Final Drive, 1.22mm
-41	4659 264	AR			ECB	DGL	SPACER, Final Drive, 1.26mm
-42	4659 265	AR			ECB	DGL	SPACER, Final Drive, 1.30mm
-43	4659 266	AR			ECB	DGL	SPACER, Final Drive, 1.34mm
-44	4659 267	AR			ECB	DGL	SPACER, Final Drive, 1.38mm
-45	4659 268	AR			ECB	DGL	SPACER, Final Drive, 1.42mm
-46	4659 269	AR			ECB	DGL	SPACER, Final Drive, 1.46mm
-47	4659 270	AR			ECB	DGL	SPACER, Final Drive, 1.50mm
-48	4659 271	AR			ECB	DGL	SPACER, Final Drive, 1.54mm
-49	4659 272	AR			ECB	DGL	SPACER, Final Drive, 1.58mm
-50	4659 273	AR			ECB	DGL	SPACER, Final Drive, 1.62mm
-51	4659 274	AR			ECB	DGL	SPACER, Final Drive, 1.66mm
-52	4659 275	AR			ECB	DGL	SPACER, Final Drive, 1.70mm
-53	4659 283	AR			ECB	DGL	SPACER, Final Drive, 2.02mm
-54	4659 284	AR			ECB	DGL	SPACER, Final Drive, 2.06mm

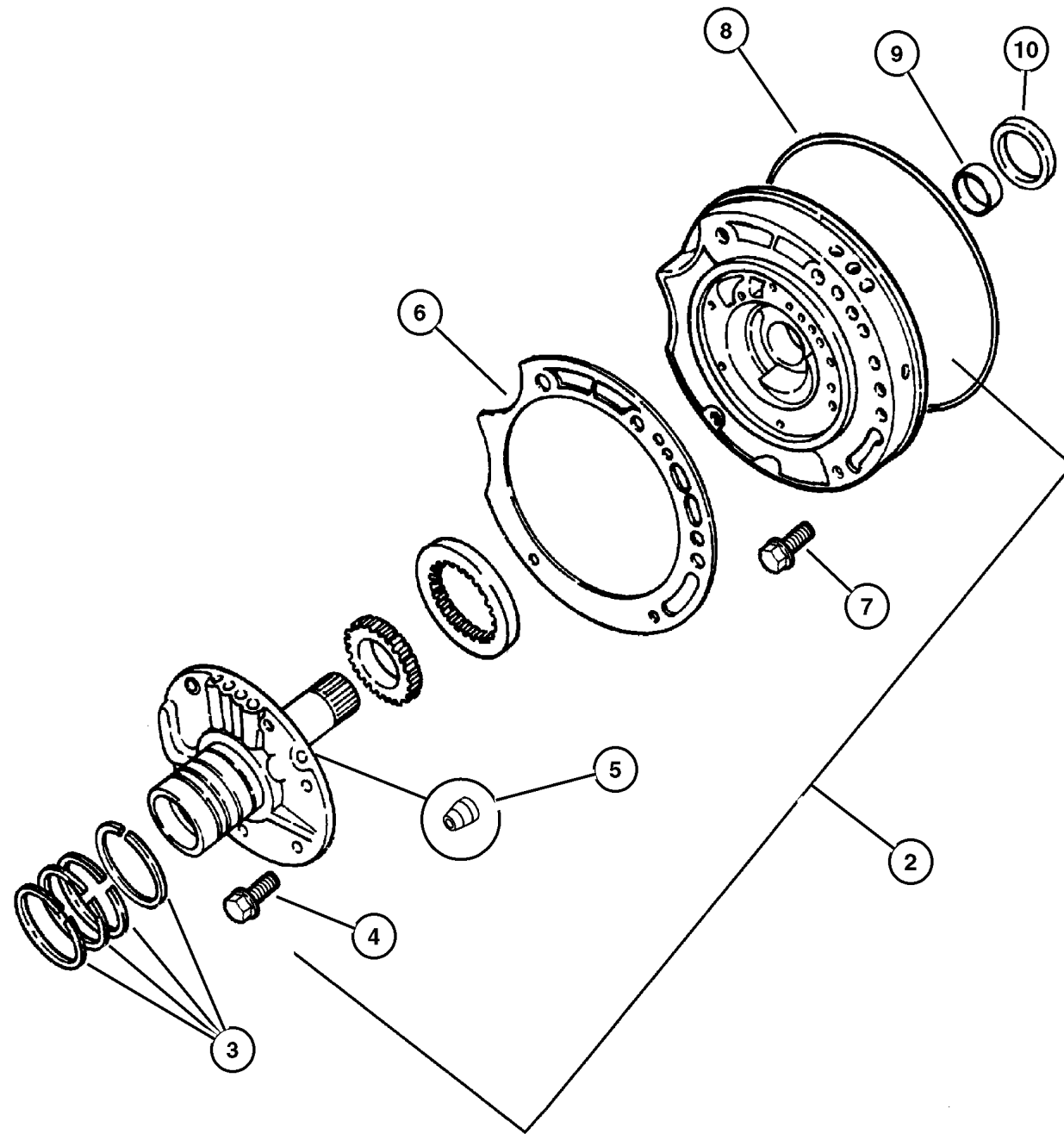


DODGE - CHRYSLER NEON (PL)

SERIES	LINE	BODY	ENGINE	TRANSMISSION
L=Low Line	Z= Chrysler, RHD	41 = 4 Door,	ECB = 2.0L 4 Cyl. , 16V SMPI	DD5 = 5 Speed Manual
H=High Line	D= Dodge	104WB	ECH = 2.0L 4 Cyl, 16V SOHC	DGL = 4 Speed Automatic
S = Special	C= Chrysler		EJD, EJO = 1.6L 4 Cyl 16v, SOHC	DG0 = All Automatics
P = Premium				DBB = All 5 Speed Manual
X = R/T				

AR = Use as required - = Non illustrated part # = New this model year

**Oil Pump with Reaction Shaft
Figure 41TE-AE-310**



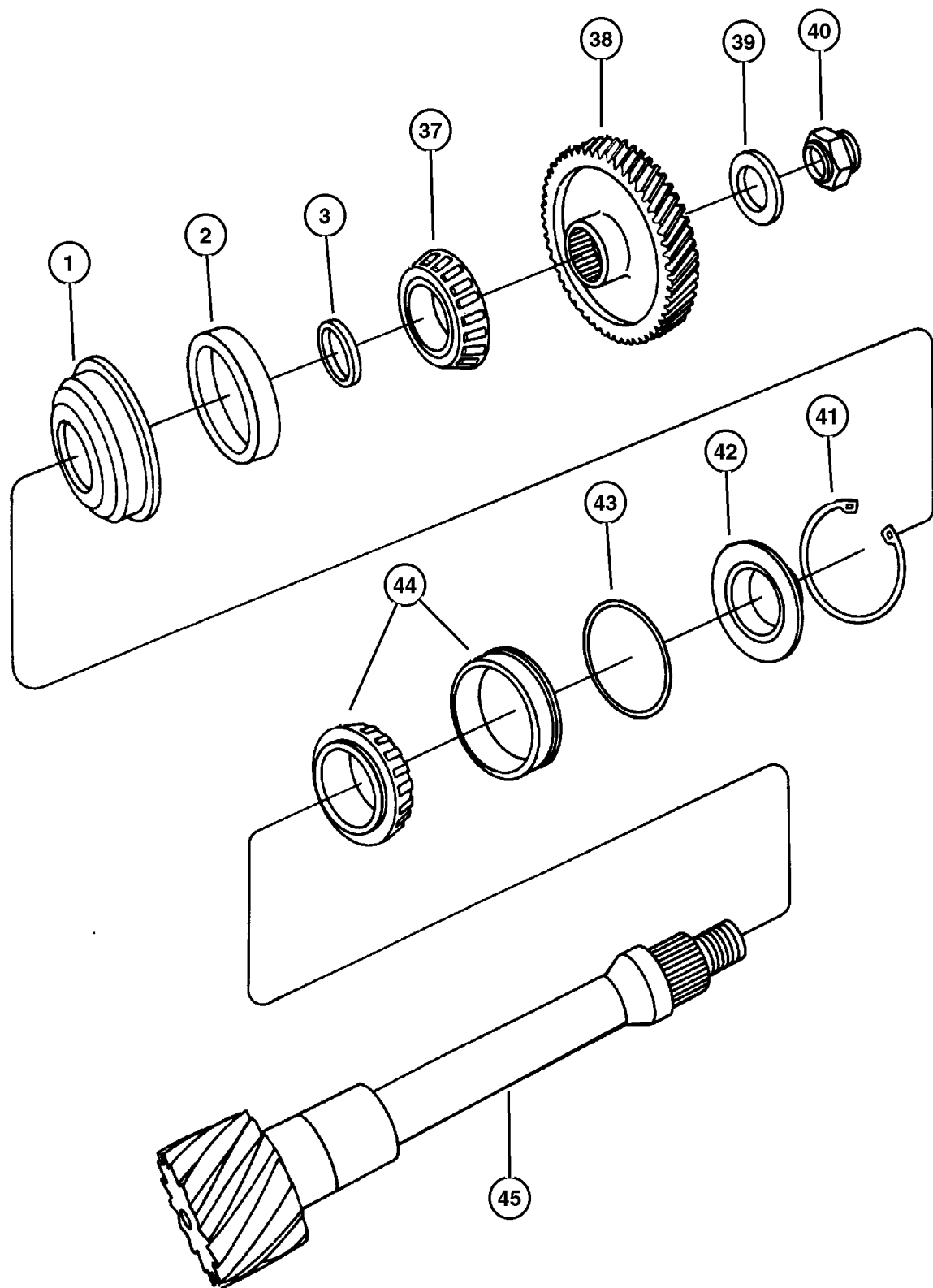
ITEM	PART NUMBER	QTY	LINE	SERIES	ENGINE	TRANS	DESCRIPTION
Note: Sales Codes n key.							
[DGL]= 4 Speed Automatic Transmissions 41TE n key.							
[ECB]= 2.0L 4 Cylinder SOHC 16V SMPI n key.							
-1	4883 260	1			ECB	DGL	SEAL AND GASKET PACKAGE, Transmission Oil Pump
2	5019 688AA	1			ECB	DGL	PUMP, Transmission Oil
3	4471 874	4			ECB	DGL	SEAL, Ring Reaction Support, 2 1/16 O.D.
4	6500 211	6			ECB	DGL	BOLT, Hex Head, M8x1.25x19
5	4446 616	2			ECB	DGL	BALL, Check
6	4412 844	1			ECB	DGL	GASKET, Transmission Oil Pump
7	6506 408AA	5			ECB	DGL	SCREW AND WASHER, Hex Flange Head, M8x1.25x25
8	4659 945	1			ECB	DGL	SEAL, Oil Pump
9	2466 796	1			ECB	DGL	BUSHING, Front Pump
10	4412 475	1			ECB	DGL	SEAL, Impeller Hub, 57.25mm OD

DODGE - CHRYSLER NEON (PL)

SERIES	LINE	BODY	ENGINE	TRANSMISSION
L=Low Line	Z= Chrysler, RHD	41 = 4 Door,	ECB = 2.0L 4 Cyl. , 16V SMPI	DD5 = 5 Speed Manual
H=High Line	D= Dodge	104WB	ECH = 2.0L 4 Cyl, 16V SOHC	DGL = 4 Speed Automatic
S = Special	C= Chrysler		EJD, EJO = 1.6L 4 Cyl 16v, SOHC	DG0 = All Automatics
P = Premium				DBB = All 5 Speed Manual
X = R/T				

AR = Use as required - = Non illustrated part # = New this model year

Shaft Transfer Figure 41TE-AE-410



ITEM	PART NUMBER	QTY	LINE	SERIES	ENGINE	TRANS	DESCRIPTION
Note: Sales Codes n key.							
[DGL] = 4 Speed Automatic Transmissions 41TE n key.							
[ECB] = 2.0L 4 Cylinder SOHC 16V SMPI n key.							
1	4412 273	1			ECB	DGL	RETAINER, Transfer Gear Bearing
2	4412 235AB	1			ECB	DGL	BEARING CONE, Output Shaft
3	4505 570AB	1			ECB	DGL	SPACER, Transfer Shaft, 3.22mm
-4	4412 801AB	1			ECB	DGL	SPACER, Transfer Shaft, 3.26mm
-5	4412 802AB	1			ECB	DGL	SPACER, Transfer Shaft, 3.30mm
-6	4412 803AB	1			ECB	DGL	SPACER, Transfer Shaft, 3.34mm
-7	4412 804AB	1			ECB	DGL	SPACER, Transfer Shaft, 3.38mm
-8	4412 806AB	1			ECB	DGL	SPACER, Output Shaft, 3.46mm
-9	4412 807AB	1			ECB	DGL	SPACER, Output Shaft, 3.50mm
-10	4412 808AB	1			ECB	DGL	SPACER, Output Shaft, 3.54mm
-11	4412 809AB	1			ECB	DGL	SPACER, Output Shaft, 3.58mm
-12	4412 810AB	1			ECB	DGL	SPACER, Output Shaft, 3.62mm
-13	4412 812AB	1			ECB	DGL	SPACER, Output Shaft, 3.70mm
-14	4412 813AB	1			ECB	DGL	SPACER, Output Shaft, 3.74mm
-15	4412 814AB	1			ECB	DGL	SPACER, Output Shaft, 3.78mm
-16	4412 815AB	1			ECB	DGL	SPACER, Output Shaft, 3.82mm
-17	4412 816AB	1			ECB	DGL	SPACER, Output Shaft, 3.86mm
-18	4412 817AB	1			ECB	DGL	SPACER, Output Shaft, 3.90mm
-19	4412 818AB	1			ECB	DGL	SPACER, Output Shaft, 3.94mm
-20	4412 819AB	1			ECB	DGL	SPACER, Output Shaft, 3.98mm
-21	4412 820AB	1			ECB	DGL	SPACER, Output Shaft, 4.02mm
-22	4412 821AB	1			ECB	DGL	SPACER, Output Shaft, 4.06mm
-23	4412 822AB	1			ECB	DGL	SPACER, Output Shaft, 4.10mm
-24	4412 823AB	1			ECB	DGL	SPACER, Output Shaft, 4.14mm
-25	4412 824AB	1			ECB	DGL	SPACER, Output Shaft, 4.18mm
-26	4412 825AB	1			ECB	DGL	SPACER, Output Shaft, 4.22mm
-27	4412 826AB	1			ECB	DGL	SPACER, Output Shaft, 4.26mm
-28	4412 827AB	1			ECB	DGL	SPACER, Output Shaft, 4.30mm
-29	4412 828AB	1			ECB	DGL	SPACER, Output Shaft, 4.34mm
-30	4412 829AB	1			ECB	DGL	SPACER, Output Shaft, 4.38mm
-31	4412 830AB	1			ECB	DGL	SPACER, Output Shaft, 4.42mm
-32	4412 831AB	1			ECB	DGL	SPACER, Transfer Shaft, 4.46mm
-33	4412 832AB	1			ECB	DGL	SPACER, Transfer Shaft, 4.50mm
-34	4412 833AB	1			ECB	DGL	SPACER, Transfer Shaft, 4.54mm
-35	4412 835AB	1			ECB	DGL	SPACER, Transfer Shaft, 4.62mm
-36	4505 588AB	1			ECB	DGL	SPACER, Transfer Shaft, 4.66mm
37	4504 042	1			ECB	DGL	BEARING PACKAGE, Transfer Gear
38	4713 444AB	1			ECB	DGL	GEAR PACKAGE, Output And Transfer Shaft

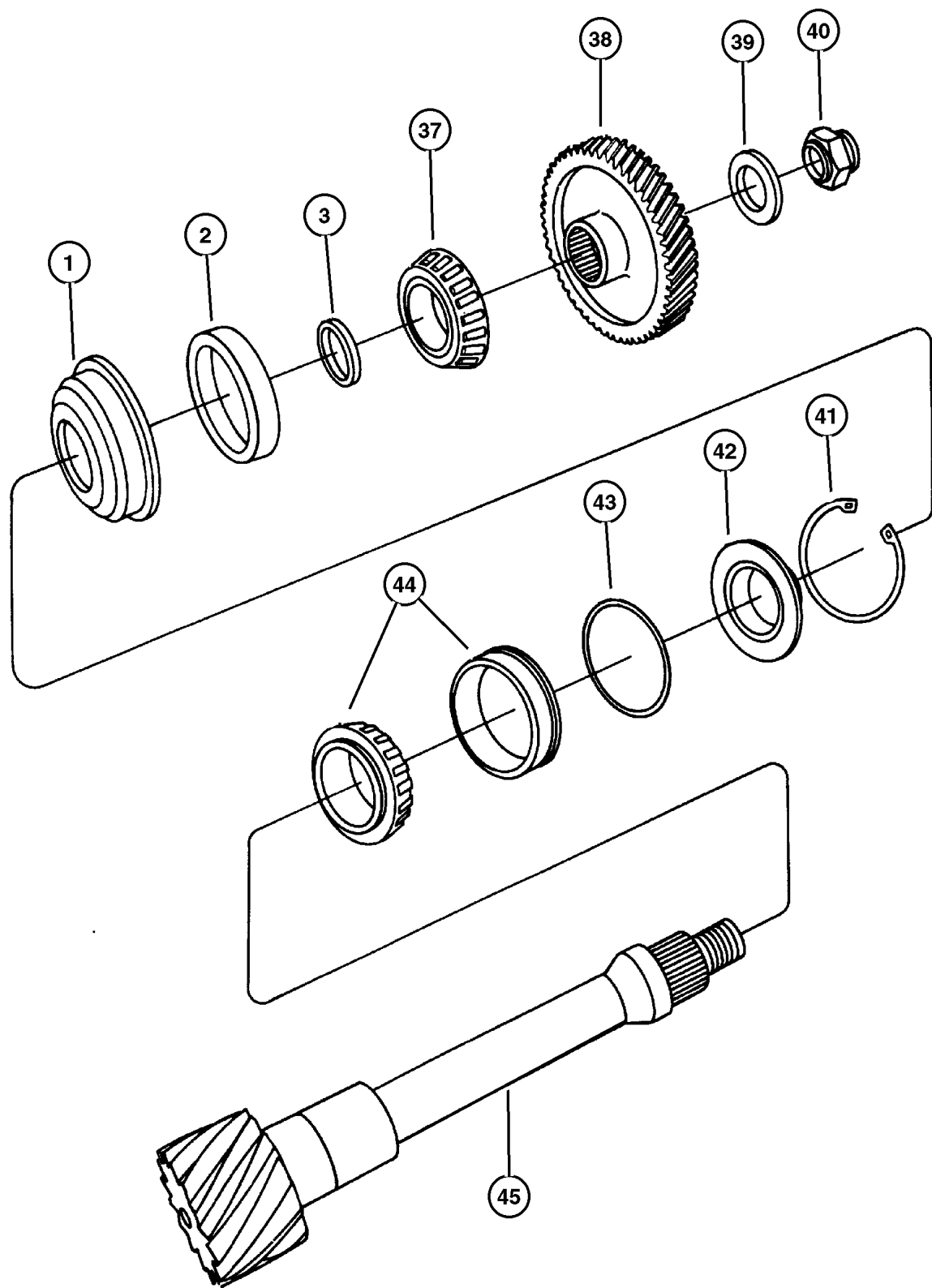
DODGE - CHRYSLER NEON (PL)

SERIES	LINE	BODY	ENGINE	TRANSMISSION
L=Low Line	Z= Chrysler, RHD	41 = 4 Door,	ECB = 2.0L 4 Cyl. , 16V SMPI	DD5 = 5 Speed Manual
H=High Line	D= Dodge	104WB	ECH = 2.0L 4 Cyl, 16V SOHC	DGL = 4 Speed Automatic
S = Special	C= Chrysler		EJD, EJO = 1.6L 4 Cyl 16v, SOHC	DG0 = All Automatics
P = Premium				DBB = All 5 Speed Manual
X = R/T				

AR = Use as required - = Non illustrated part # = New this model year

April 9, 2002

Shaft Transfer Figure 41TE-AE-410



ITEM	PART NUMBER	QTY	LINE	SERIES	ENGINE	TRANS	DESCRIPTION
39	6501 833	1			ECB	DGL	WASHER, Coned, M22.6x45x3.42
40	#6507 156AA	1			ECB	DGL	LOCK NUT, M22x1.50
41	6501 936	1			ECB	DGL	SNAP RING
42	4471 869	1			ECB	DGL	BAFFLE, Transfer Shaft
43	6501 768	1			ECB	DGL	O RING, Transfer Shaft Bearing Retainer, ATX
44	4856 911	1			ECB	DGL	BEARING PACKAGE, Transfer Shaft
45	4531 976	1			ECB	DGL	SHAFT, Transfer Gear

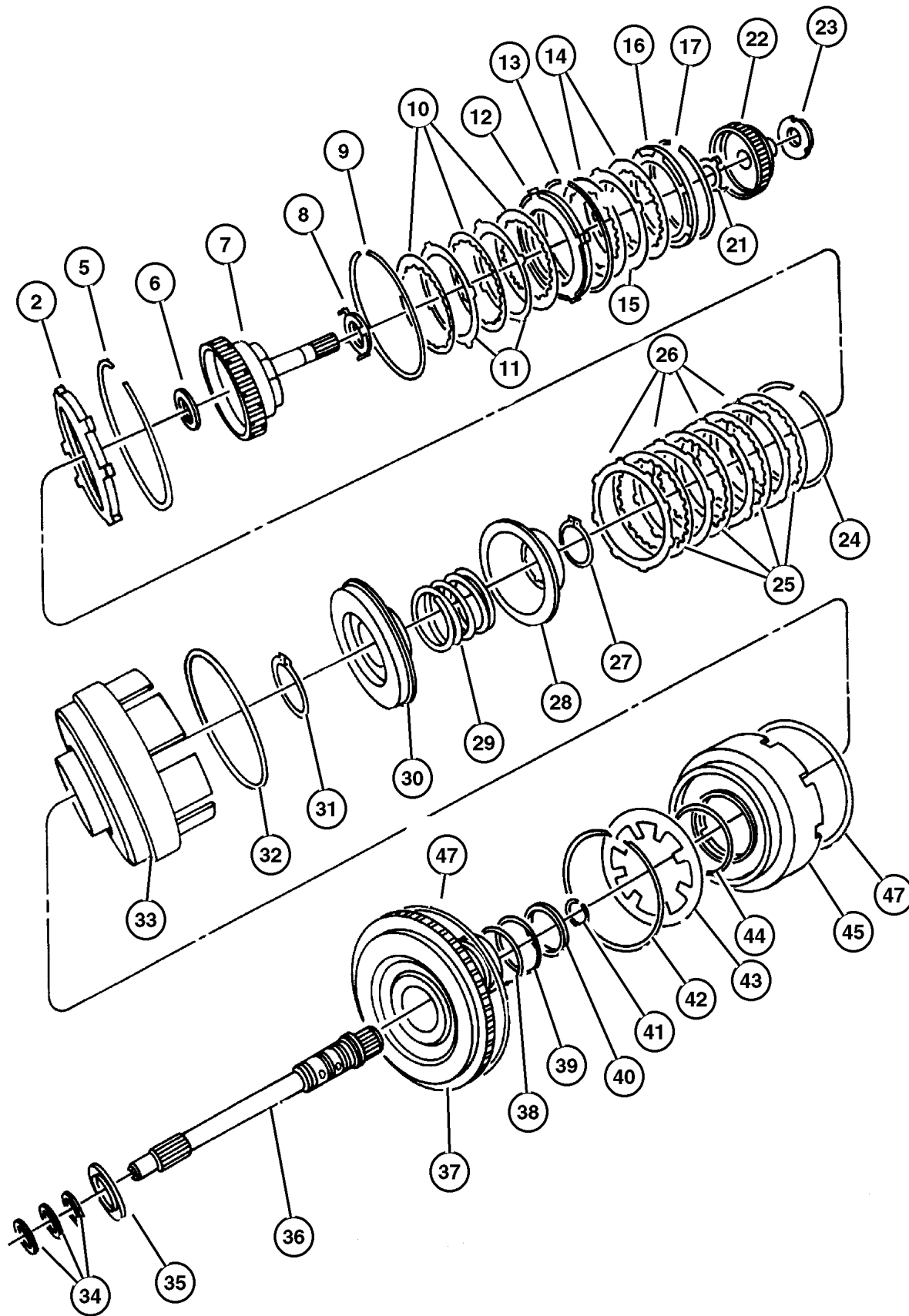
DODGE - CHRYSLER NEON (PL)

SERIES	LINE	BODY	ENGINE	TRANSMISSION
L=Low Line	Z= Chrysler, RHD	41 = 4 Door,	ECB = 2.0L 4 Cyl. , 16V SMPI	DD5 = 5 Speed Manual
H=High Line	D= Dodge	104WB	ECH = 2.0L 4 Cyl, 16V SOHC	DGL = 4 Speed Automatic
S = Special	C= Chrysler		EJD, EJO = 1.6L 4 Cyl 16v, SOHC	DG0 = All Automatics
P = Premium				DBB = All 5 Speed Manual
X = R/T				

AR = Use as required - = Non illustrated part # = New this model year

April 9, 2002

Clutch, Input Shaft Figure 41TE-AE-420



ITEM	PART NUMBER	QTY	LINE	SERIES	ENGINE	TRANS	DESCRIPTION
------	-------------	-----	------	--------	--------	-------	-------------

Note: Sales Codes n key.

[DGL]= 4 Speed Automatic Transmissions 41TE n key.

[ECB]= 2.0L 4 Cylinder SOHC 16V SMPI n key.

-1	4883 240AB	1			ECB	DGL	SEAL AND GASKET PACKAGE, Transmission Front Clutch
2	4883 013AB	1			ECB	DGL	PLATE PACKAGE, Underdrive Reaction, 5.72/5.82
-3	4883 014AB	1			ECB	DGL	PLATE PACKAGE, Underdrive Reaction, 6.21/6.31
-4	4883 015AB	1			ECB	DGL	PLATE PACKAGE, Underdrive Reaction, 6.70/6.80
5	4659 934	1			ECB	DGL	SNAP RING, Underdrive Clutch, Tapered
6	4567 262	1			ECB	DGL	THRUST BEARING
7	4864 936	1			ECB	DGL	HUB AND SHAFT PACKAGE, Underdrive Clutch
8	5018 923AA	1			ECB	DGL	PLATE AND WASHER PACKAGE, Thrust
9	4505 621	1			ECB	DGL	SNAP RING
10	4531 678	4			ECB	DGL	DISC, Clutch
11	4659 053	4			ECB	DGL	PLATE, Transmission O/Drive Clutch
12	4531 556AB	1			ECB	DGL	PLATE, Transmission O/Drive Clutch
13	4505 622	1			ECB	DGL	SNAP RING
14	4531 678	4			ECB	DGL	DISC, Clutch
15	4659 053	3			ECB	DGL	PLATE, Transmission O/Drive Clutch
16	4377 194	1			ECB	DGL	PLATE, Transmission Clutch Reaction
17	4377 195	1			ECB	DGL	SNAP RING
-18	4412 871	1			ECB	DGL	SNAP RING, Reverse Clutch, 1.77-1.83mm
-19	4412 872	1			ECB	DGL	SNAP RING, Reverse Clutch, 2.02-2.07mm
-20	4412 873	1			ECB	DGL	SNAP RING, Reverse Clutch, 2.27-2.32mm
21	5018 923AA	1			ECB	DGL	PLATE AND WASHER PACKAGE, Thrust
22	4659 993	1			ECB	DGL	HUB AND SHAFT, Overdrive Clutch
23							PLATE, Transmission O/Drive Clutch
	3836 237AB	AR			ECB	DGL	1.59 - 1.66mm
	3836 238AB	AR			ECB	DGL	1.70 - 1.77mm
	3836 239AB	AR			ECB	DGL	1.81 - 1.88mm
	3836 240AB	AR			ECB	DGL	1.92 - 1.99mm
	3836 241AB	AR			ECB	DGL	2.03 - 2.10mm
	4431 665AB	AR			ECB	DGL	2.14 - 2.21mm
	4431 666AB	AR			ECB	DGL	2.25 - 2.32mm
	4431 667AB	AR			ECB	DGL	2.36 - 2.43mm
	4431 668AB	AR			ECB	DGL	2.47 - 2.54mm
	4431 669AB	AR			ECB	DGL	2.58 - 2.65mm
	4446 670AB	AR			ECB	DGL	2.69 - 2.76mm
	4446 671AB	AR			ECB	DGL	2.91 - 2.98mm
24	4659 980	1			ECB	DGL	SNAP RING, Underdrive Clutch, Flat
25	4531 678	4			ECB	DGL	DISC, Clutch

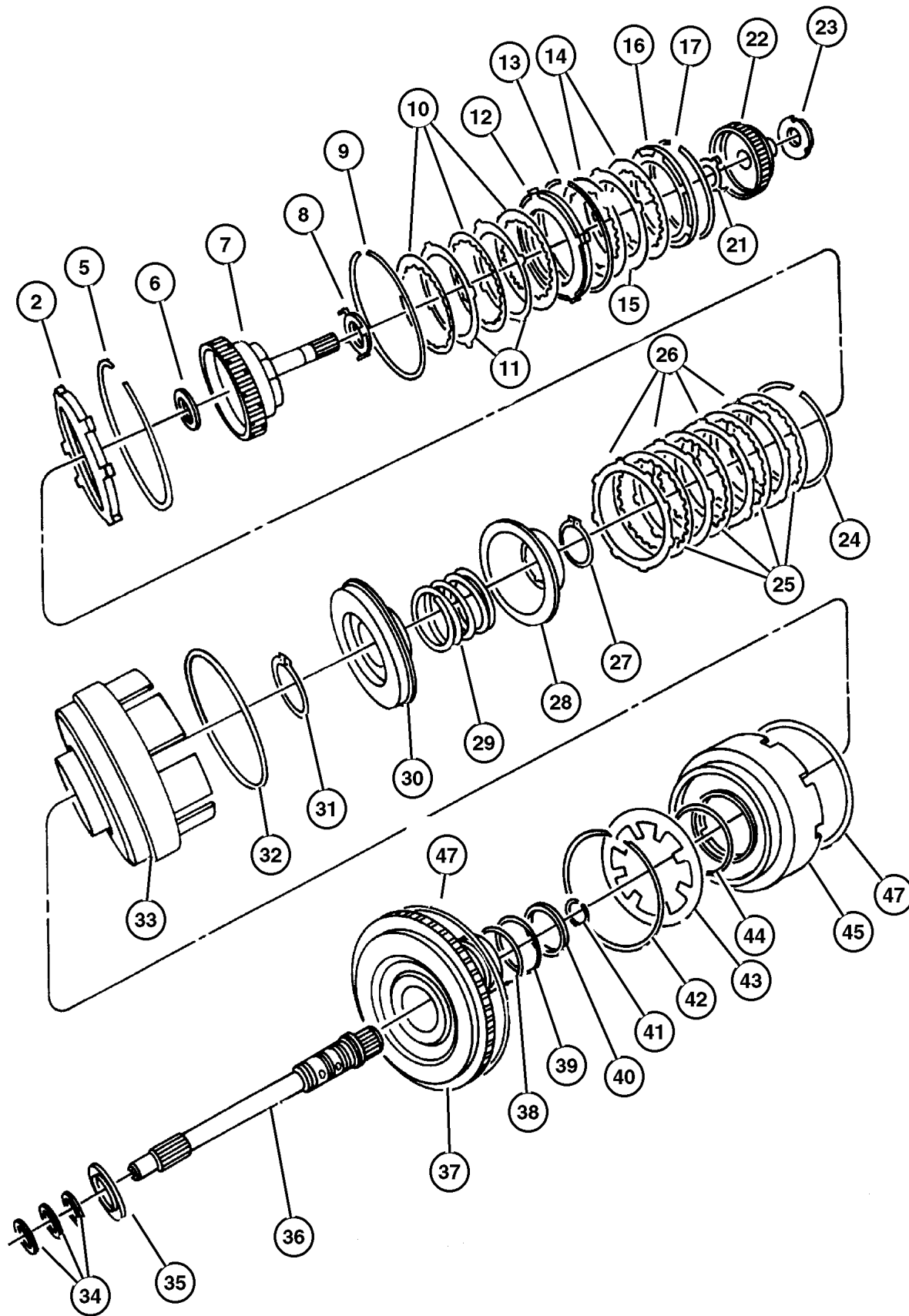
DODGE - CHRYSLER NEON (PL)

SERIES	LINE	BODY	ENGINE	TRANSMISSION
L=Low Line	Z= Chrysler, RHD	41 = 4 Door, 104WB	ECB = 2.0L 4 Cyl. , 16V SMPI	DD5 = 5 Speed Manual
H=High Line	D= Dodge		ECH = 2.0L 4 Cyl, 16V SOHC	DGL = 4 Speed Automatic
S = Special	C= Chrysler		EJD, EJ0 = 1.6L 4 Cyl 16v, SOHC	DG0 = All Automatics
P = Premium				DBB = All 5 Speed Manual
X = R/T				

AR = Use as required - = Non illustrated part # = New this model year

April 9, 2002

Clutch, Input Shaft Figure 41TE-AE-420



ITEM	PART NUMBER	QTY	LINE	SERIES	ENGINE	TRANS	DESCRIPTION
26	4659 053	4			ECB	DGL	PLATE, Transmission O/Drive Clutch
27	6501 715	1			ECB	DGL	SNAP RING
28	4431 612	1			ECB	DGL	RETAINER AND SEAL, Transmission U/Drive Spring
29	4377 177	1			ECB	DGL	SPRING, Drive Lower Case
30	4431 610	1			ECB	DGL	PISTON, Underdrive
31	6507 226AA	1			ECB	DGL	SNAP RING
32	4659 871	1			ECB	DGL	SEAL, Piston Outer, 140mm OD
33	4659 935	1			ECB	DGL	RETAINER, Transmission Input Clutch
34	4446 543	3			ECB	DGL	SEAL, Input Shaft
35	4412 209	1			ECB	DGL	THRUST BEARING
36	4549 223AB	1			ECB	DGL	INPUT SHAFT PACKAGE, Transaxle
37	5017 518AA	1			ECB	DGL	HUB PACKAGE, Input Clutch
38	6502 271	1			ECB	DGL	O RING, Transmission Clutch
39	6502 269	1			ECB	DGL	O RING, Transmission Clutch
40	4659 391AB	1			ECB	DGL	SEAL, Under Drive
41	6501 702	1			ECB	DGL	SNAP RING
42	4412 203	1			ECB	DGL	SNAP RING
43	4412 202	1			ECB	DGL	SPRING, Overdrive Piston
44	6033 158	1			ECB	DGL	O RING, Reverse & O/Drive Clutch Piston, Transmission
45	5017 518AA	1			ECB	DGL	HUB PACKAGE, Input Clutch
-46	4531 903	1			ECB	DGL	FILTER, Reverse And O/D Clutch
47	4659 056	1			ECB	DGL	SEAL, Reverse Servo Piston

DODGE - CHRYSLER NEON (PL)

SERIES	LINE	BODY	ENGINE	TRANSMISSION
L=Low Line	Z= Chrysler, RHD	41 = 4 Door,	ECB = 2.0L 4 Cyl. , 16V SMPI	DD5 = 5 Speed Manual
H=High Line	D= Dodge	104WB	ECH = 2.0L 4 Cyl, 16V SOHC	DGL = 4 Speed Automatic
S = Special	C= Chrysler		EJD, EJ0 = 1.6L 4 Cyl 16v, SOHC	DG0 = All Automatics
P = Premium				DBB = All 5 Speed Manual
X = R/T				

AR = Use as required - = Non illustrated part # = New this model year

April 9, 2002

Gear Train
Figure 41TE-AE-430

ITEM	PART NUMBER	QTY	LINE	SERIES	ENGINE	TRANS	DESCRIPTION
------	-------------	-----	------	--------	--------	-------	-------------

Note: Sales Codes n key.

[DGL] = 4 Speed Automatic Transmissions 41TE n key.

[ECB] = 2.0L 4 Cylinder SOHC 16V SMPI n key.

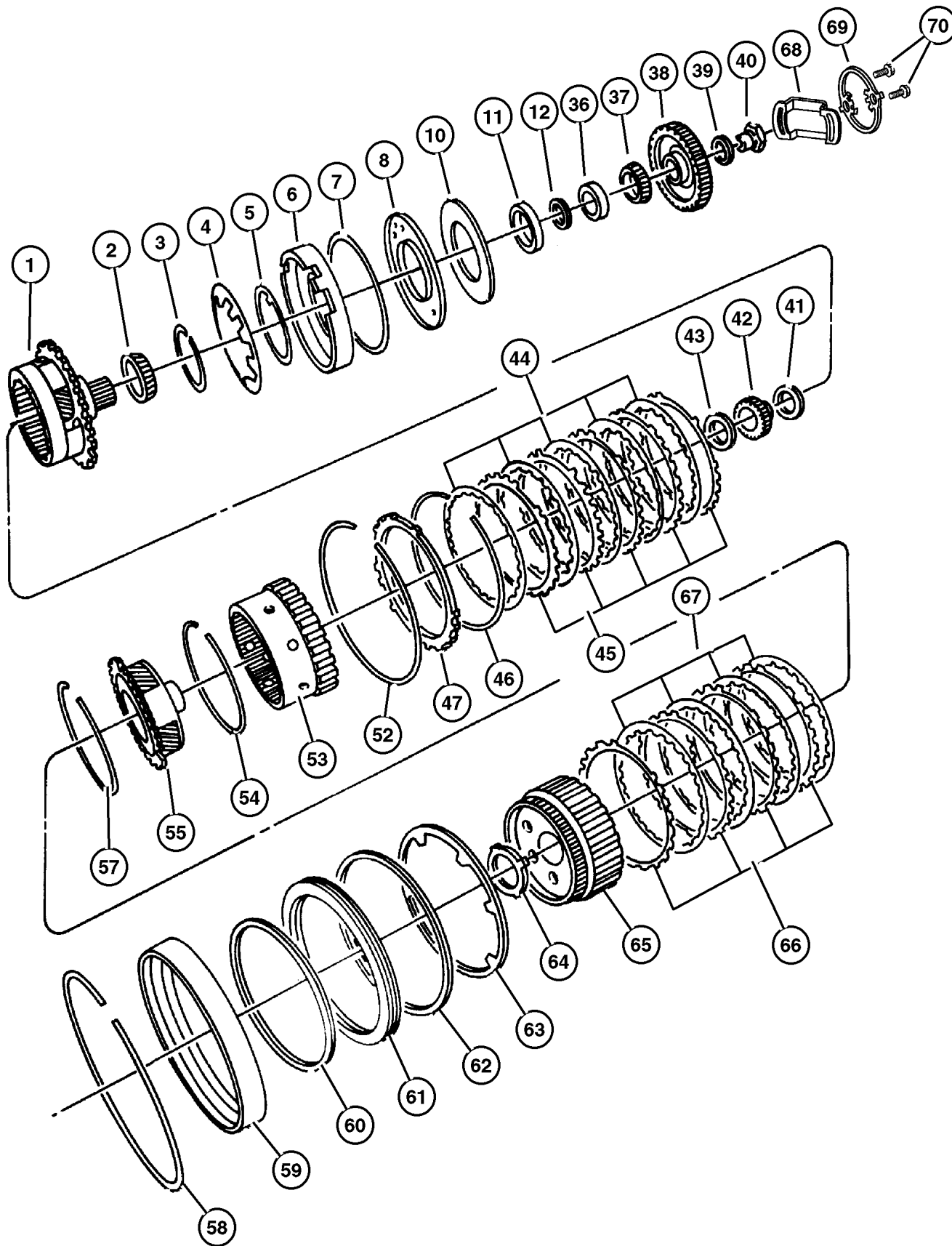
1	5014 200AA	1			ECB	DGL	CARRIER AND BEARING, Planet Pinion
2	4659 238	1			ECB	DGL	BEARING CONE, Differential
3	6501 853	1			ECB	DGL	SNAP RING
4	4412 261	1			ECB	DGL	SPRING, Low/Reverse Clutch Piston
5	4882 917	1			ECB	DGL	SEAL PACKAGE, Transmission Clutch
6	4431 672	1			ECB	DGL	PISTON, Low and Reverse Clutch
7	4882 917	1			ECB	DGL	SEAL PACKAGE, Transmission Clutch
8	4431 648	1			ECB	DGL	RETAINER, Transmission Low and Reverse Clutch Piston
-9	6501 819	2			ECB	DGL	SCREW AND WASHER, Pan Head, M5x0.8x11.00
10	4431 649	1			ECB	DGL	GASKET, Clutch Retainer
11	4567 022	1			ECB	DGL	BEARING CUP, Differential
12	4412 806AB	1			ECB	DGL	SPACER, Output Shaft, 3.46mm
-13	4412 807AB	1			ECB	DGL	SPACER, Output Shaft, 3.50mm
-14	4412 808AB	1			ECB	DGL	SPACER, Output Shaft, 3.54mm
-15	4412 809AB	1			ECB	DGL	SPACER, Output Shaft, 3.58mm
-16	4412 811AB	1			ECB	DGL	SPACER, Output Shaft, 3.66mm
-17	4412 812AB	1			ECB	DGL	SPACER, Output Shaft, 3.70mm
-18	4412 813AB	1			ECB	DGL	SPACER, Output Shaft, 3.74mm
-19	4412 814AB	1			ECB	DGL	SPACER, Output Shaft, 3.78mm
-20	4412 815AB	1			ECB	DGL	SPACER, Output Shaft, 3.82mm
-21	4412 816AB	1			ECB	DGL	SPACER, Output Shaft, 3.86mm
-22	4412 817AB	1			ECB	DGL	SPACER, Output Shaft, 3.90mm
-23	4412 818AB	1			ECB	DGL	SPACER, Output Shaft, 3.94mm
-24	4412 819AB	1			ECB	DGL	SPACER, Output Shaft, 3.98mm
-25	4412 820AB	1			ECB	DGL	SPACER, Output Shaft, 4.02mm
-26	4412 821AB	1			ECB	DGL	SPACER, Output Shaft, 4.06mm
-27	4412 822AB	1			ECB	DGL	SPACER, Output Shaft, 4.10mm
-28	4412 823AB	1			ECB	DGL	SPACER, Output Shaft, 4.14mm
-29	4412 824AB	1			ECB	DGL	SPACER, Output Shaft, 4.18mm
-30	4412 825AB	1			ECB	DGL	SPACER, Output Shaft, 4.22mm
-31	4412 826AB	1			ECB	DGL	SPACER, Output Shaft, 4.26mm
-32	4412 827AB	1			ECB	DGL	SPACER, Output Shaft, 4.30mm
-33	4412 828AB	1			ECB	DGL	SPACER, Output Shaft, 4.34mm
-34	4412 829AB	1			ECB	DGL	SPACER, Output Shaft, 4.38mm
-35	4412 830AB	1			ECB	DGL	SPACER, Output Shaft, 4.42mm
36	4412 234	1			ECB	DGL	BEARING CUP, Output Shaft
37	4412 235	1			ECB	DGL	BEARING CONE, Output Shaft

DODGE - CHRYSLER NEON (PL)

SERIES	LINE	BODY	ENGINE	TRANSMISSION
L=Low Line	Z= Chrysler, RHD	41 = 4 Door,	ECB = 2.0L 4 Cyl. , 16V SMPI	DD5 = 5 Speed Manual
H=High Line	D= Dodge	104WB	ECH = 2.0L 4 Cyl, 16V SOHC	DGL = 4 Speed Automatic
S = Special	C= Chrysler		EJD, EJ0 = 1.6L 4 Cyl 16v, SOHC	DG0 = All Automatics
P = Premium				DBB = All 5 Speed Manual
X = R/T				

AR = Use as required - = Non illustrated part # = New this model year

April 9, 2002



Gear Train
Figure 41TE-AE-430

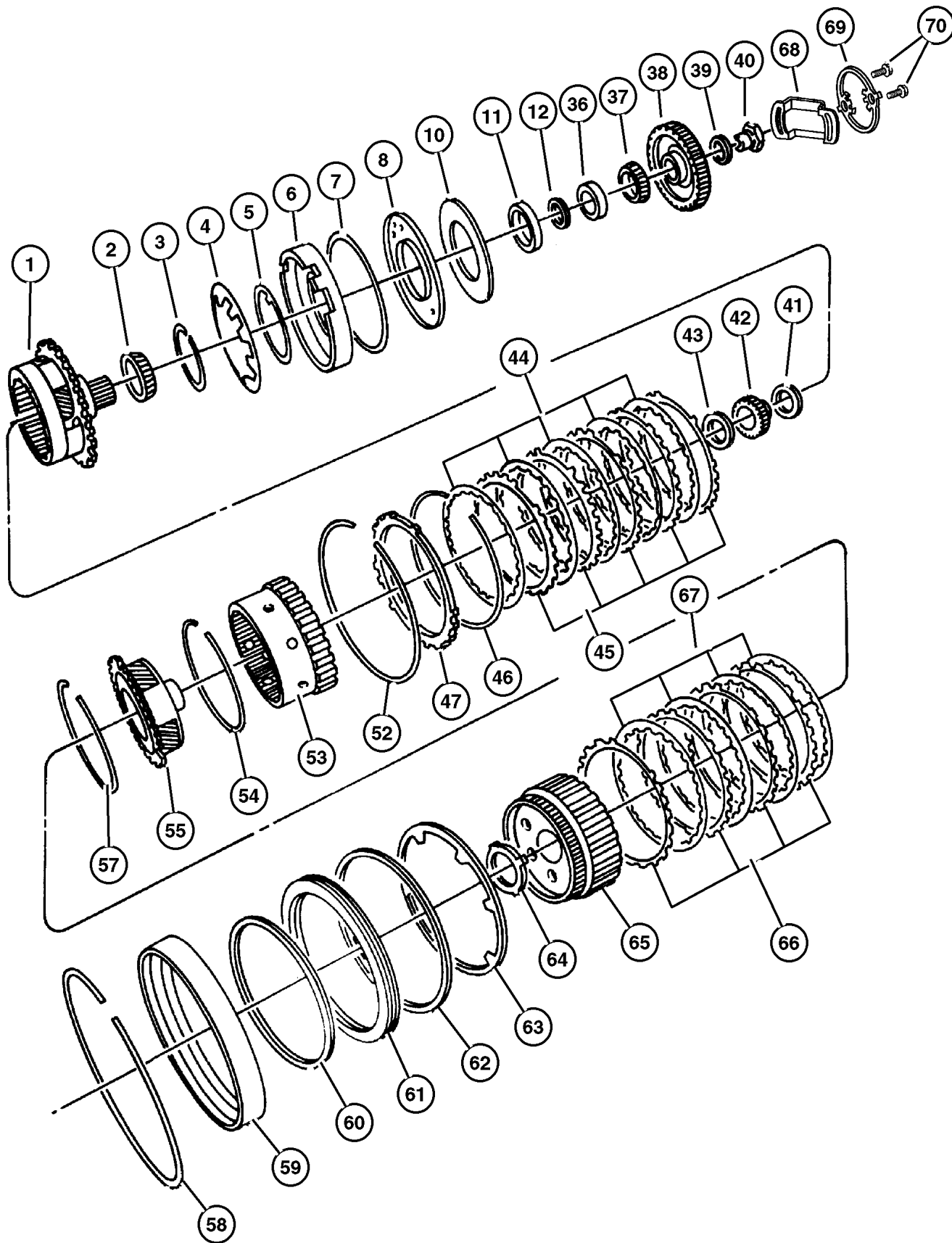
ITEM	PART NUMBER	QTY	LINE	SERIES	ENGINE	TRANS	DESCRIPTION
38	4713 444AB	1			ECB	DGL	GEAR PACKAGE, Output And Transfer Shaft
39	6501 832	1			ECB	DGL	WASHER, Output Shaft
40	6503 548	1			ECB	DGL	BOLT, Hex Head, M18x1.5x34
41	4567 262	1			ECB	DGL	THRUST BEARING
42	4377 080	1			ECB	DGL	GEAR, Sun
43	4412 229AB	1			ECB	DGL	THRUST BEARING, Rear Sun Gear, Front
44	4567 573AB	5			ECB	DGL	DISC, Clutch
45	4659 055	5			ECB	DGL	PLATE, Transmission Clutch Reaction
46	4412 395	1			ECB	DGL	SNAP RING
47	4897 452AA	1			ECB	DGL	PLATE PACKAGE, Low/Reverse Clutch, 5.753/6.012
-48	4897 453AA	1			ECB	DGL	PLATE PACKAGE, Low/Reverse Clutch, 6.013/6.272
-49	4897 454AA	1			ECB	DGL	PLATE PACKAGE, Low/Reverse Clutch, 6.273/6.532
-50	4897 455AA	1			ECB	DGL	PLATE PACKAGE, Low/Reverse Clutch, 6.533/6.792
-51	4897 456AA	1			ECB	DGL	PLATE PACKAGE, Low/Reverse Clutch, 6.793/7.052
52	4799 858AA	1			ECB	DGL	SNAP RING
53	4799 794	1			ECB	DGL	GEAR, Annulus
54	6035 238	2			ECB	DGL	SNAP RING
55	4567 539AB	1			ECB	DGL	CARRIER, Planetary Pinion
-56	4567 262	1			ECB	DGL	THRUST BEARING
57	6035 238	2			ECB	DGL	SNAP RING
58	4505 591	1			ECB	DGL	SNAP RING
59	4883 078	1			ECB	DGL	RETAINER PACKAGE, 2nd & 4th Clutch Piston
60	4856 002	1			ECB	DGL	SEAL PACKAGE, Transmission Clutch
61	4883 078	1			ECB	DGL	RETAINER PACKAGE, 2nd & 4th Clutch Piston
62	4856 002	1			ECB	DGL	SEAL PACKAGE, Transmission Clutch
63	4412 248	1			ECB	DGL	SPRING, 2nd And 4th Clutch Piston
64	4412 216AB	1			ECB	DGL	THRUST WASHER, Second and Fourth Clutch
65	4659 618AB	1			ECB	DGL	HUB AND GEAR, Second And Fourth Clutch
66	4659 054	4			ECB	DGL	PLATE, Transmission Clutch Reaction
67	4799 860AB	4			ECB	DGL	DISC, Clutch
68	4567 263	1			ECB	DGL	STIRRUP, Retaining Nut
69	4659 134	1			ECB	DGL	STRAP, Retaining
70	6503 355	2			ECB	DGL	BOLT, Hex Head, M8x1.25x10.00

DODGE - CHRYSLER NEON (PL)

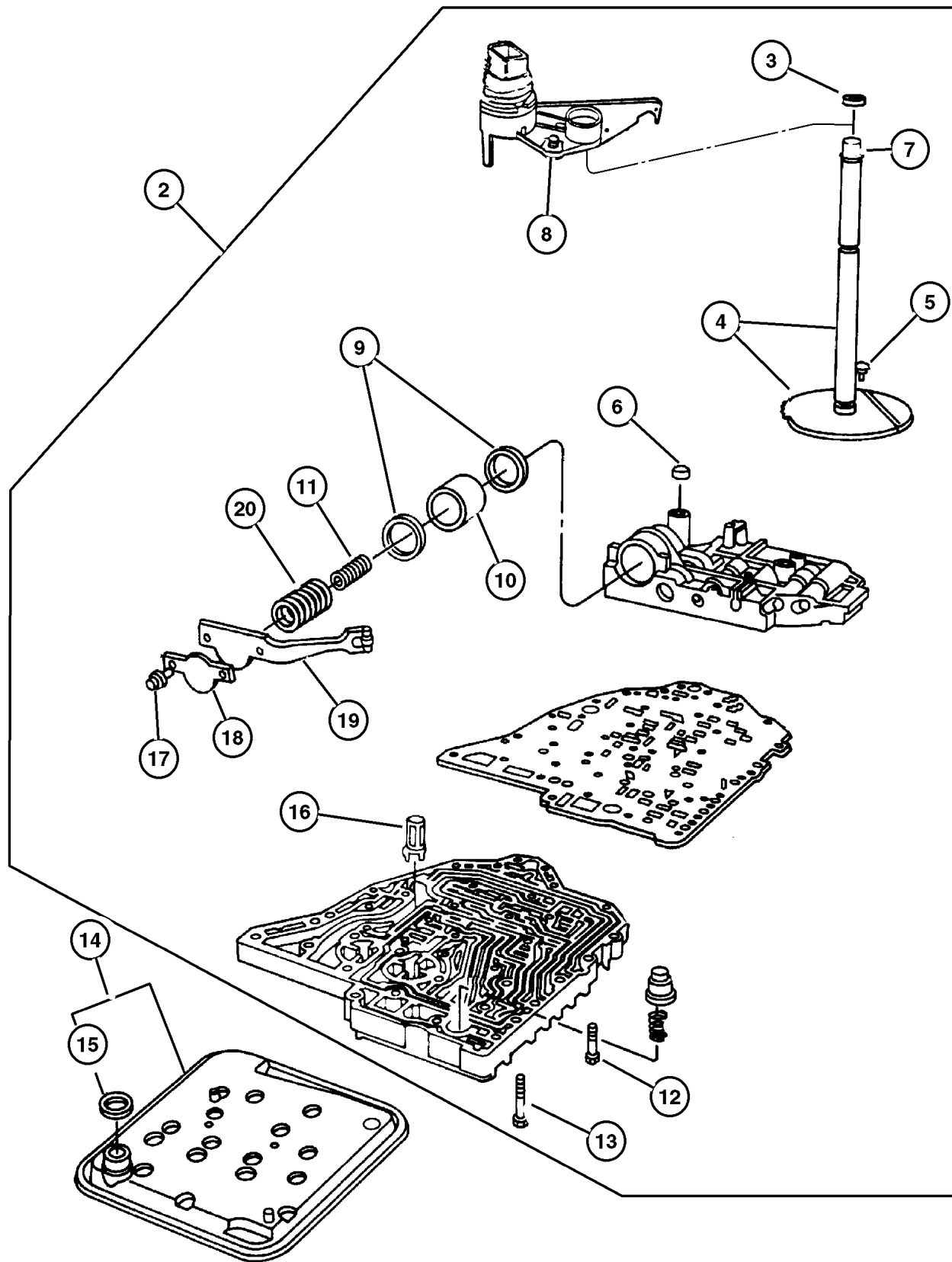
SERIES	LINE	BODY	ENGINE	TRANSMISSION
L=Low Line	Z= Chrysler, RHD	41 = 4 Door,	ECB = 2.0L 4 Cyl. , 16V SMPI	DD5 = 5 Speed Manual
H=High Line	D= Dodge	104WB	ECH = 2.0L 4 Cyl, 16V SOHC	DGL = 4 Speed Automatic
S = Special	C= Chrysler		EJD, EJ0 = 1.6L 4 Cyl 16v, SOHC	DG0 = All Automatics
P = Premium				DBB = All 5 Speed Manual
X = R/T				

AR = Use as required - = Non illustrated part # = New this model year

April 9, 2002



Valve Body
Figure 41TE-AE-710



ITEM	PART NUMBER	QTY	LINE	SERIES	ENGINE	TRANS	DESCRIPTION
-1	4864 696AB	1			ECB	DGL	GASKET PACKAGE, Valve Body
2	4897 890AA	1			ECB	DGL	VALVE BODY, Complete
3	4412 836	1			ECB	DGL	SEAL, Manual Valve Lever
4	4883 316	1			ECB	DGL	LEVER, Manual Valve
5	6506 245AA	1			ECB	DGL	SCREW
6	4412 291	1			ECB	DGL	SEAL, Clutch Feed
7	4505 557	1			ECB	DGL	VENT, Transmission
8	4659 676AC	1			ECB	DGL	SENSOR, Transmission Range
9	4446 544	2			ECB	DGL	SEAL, Accumulator
10	4446 620	1			ECB	DGL	PISTON, 2nd and 4th Accumulator
11	4567 575	1			ECB	DGL	SPRING, Accumulator
12	6500 215	24			ECB	DGL	SCREW AND WASHER, Pan Head, M5x.8x25
13	6100 155	18			ECB	DGL	BOLT, Hex Head, M8x30
14	4864 505AB	1			ECB	DGL	FILTER PACKAGE, Transmission Oil
15	6032 780	1			ECB	DGL	O RING, Trans Oil Filter
16	3878 313	1			ECB	DGL	SCREEN, Transmission Regulator Valve
17	6503 232	3			ECB	DGL	SCREW, Pan Head, M5 x 0.8 x 12.60
18	4431 711	1			ECB	DGL	RETAINER, Transmission 2nd and 4th Accumulator Piston
19	4431 710	1			ECB	DGL	DETENT, Valve Body
20	#4800 209AA	1			ECB	DGL	SPRING, Accumulator

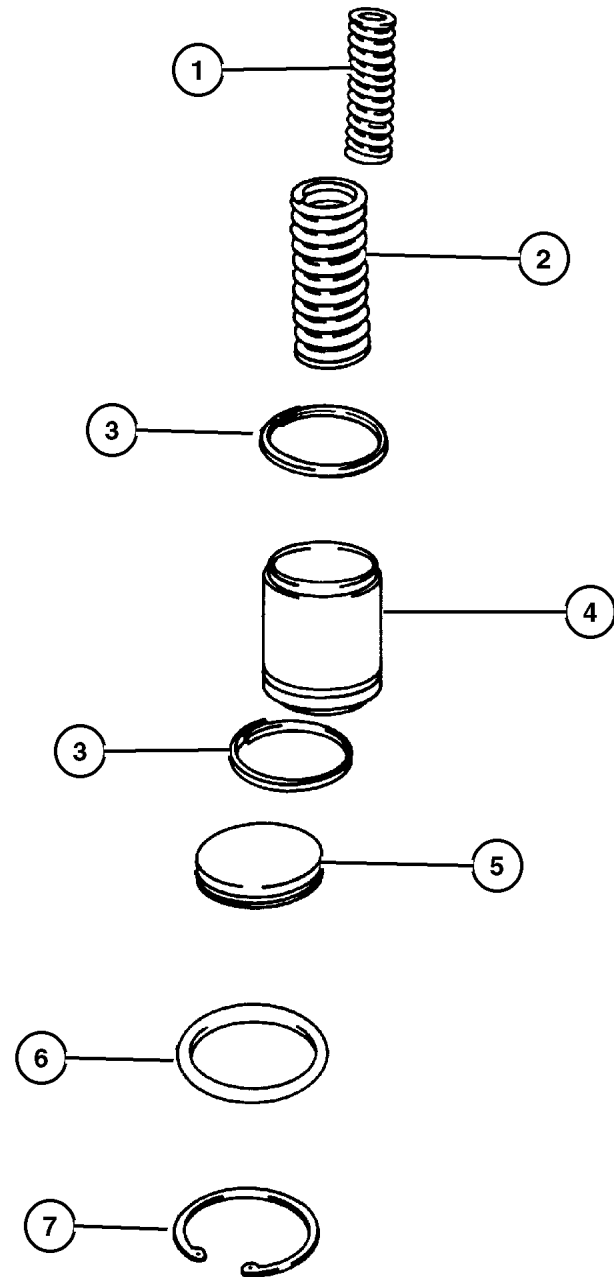
DODGE - CHRYSLER NEON (PL)

SERIES	LINE	BODY	ENGINE	TRANSMISSION
L=Low Line	Z= Chrysler, RHD	41 = 4 Door, 104WB	ECB = 2.0L 4 Cyl. , 16V SMPI	DD5 = 5 Speed Manual
H=High Line	D= Dodge		ECH = 2.0L 4 Cyl, 16V SOHC	DGL = 4 Speed Automatic
S = Special	C= Chrysler		EJD, EJO = 1.6L 4 Cyl 16v, SOHC	DG0 = All Automatics
P = Premium				DBB = All 5 Speed Manual
X = R/T				

AR = Use as required - = Non illustrated part # = New this model year

April 9, 2002

Accumulator Piston and Springs Figure 41TE-AE-720



ITEM	PART NUMBER	QTY	LINE	SERIES	ENGINE	TRANS	DESCRIPTION
------	-------------	-----	------	--------	--------	-------	-------------

Note: Sales Codes n key.

[DGL] = 4 Speed Automatic Transmissions 41TE n key.

[ECB] = 2.0L 4 Cylinder SOHC 16V SMPI n key.

1	4567 575	1			ECB	DGL	SPRING, Accumulator
2	#4800 209AA	1			ECB	DGL	SPRING, Accumulator
3	4446 544	4			ECB	DGL	SEAL, Accumulator
4	4446 620	2			ECB	DGL	PISTON, 2nd and 4th Accumulator
5	4431 617	1			ECB	DGL	COVER, Accumulator
6	6501 549	1			ECB	DGL	O RING, Accumulator, Transmission
7	6501 695	1			ECB	DGL	SNAP RING

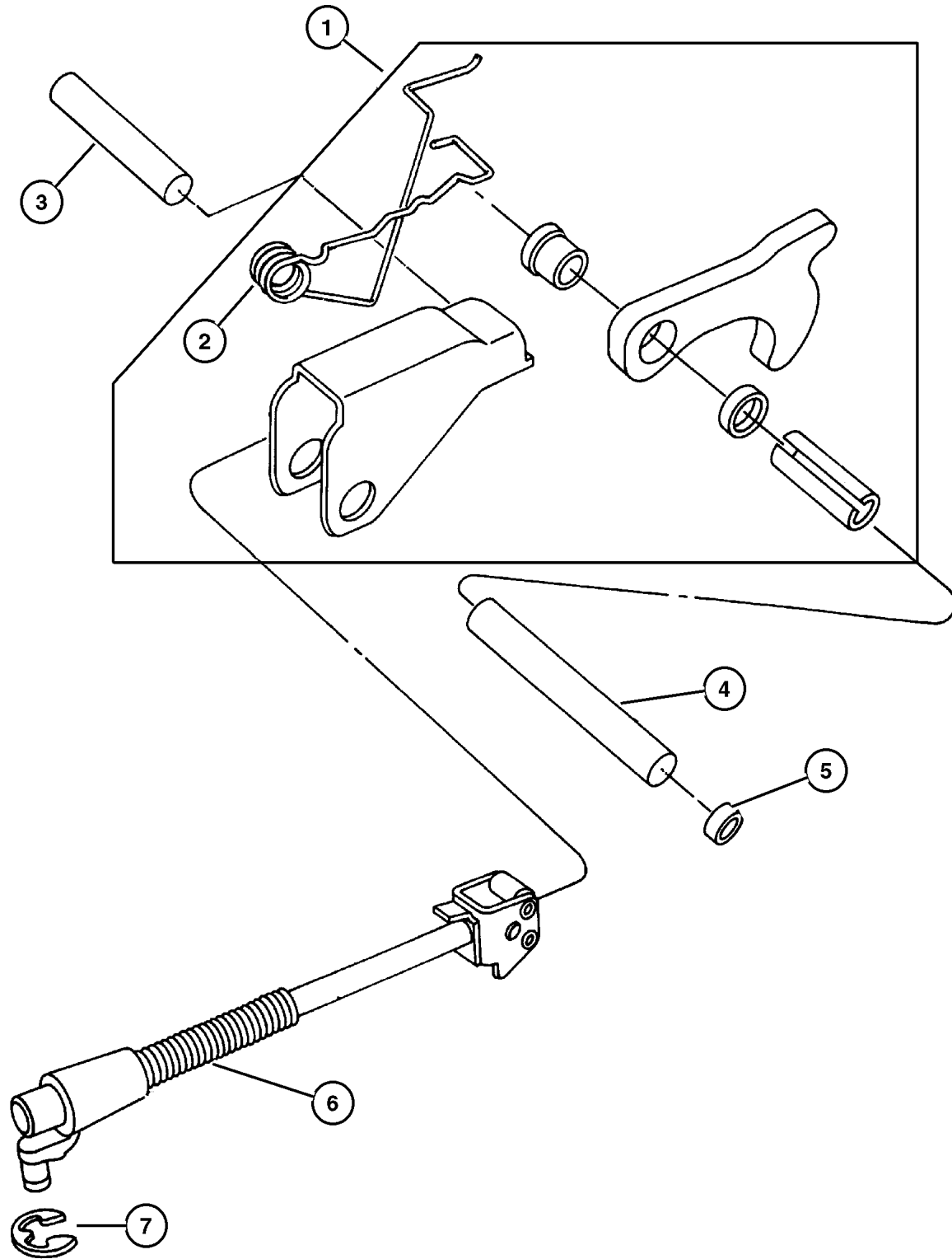
DODGE - CHRYSLER NEON (PL)

SERIES	LINE	BODY	ENGINE	TRANSMISSION
L=Low Line	Z= Chrysler, RHD	41 = 4 Door,	ECB = 2.0L 4 Cyl. , 16V SMPI	DD5 = 5 Speed Manual
H=High Line	D= Dodge	104WB	ECH = 2.0L 4 Cyl, 16V SOHC	DGL = 4 Speed Automatic
S = Special	C= Chrysler		EJD, EJ0 = 1.6L 4 Cyl 16v, SOHC	DG0 = All Automatics
P = Premium				DBB = All 5 Speed Manual
X = R/T				

AR = Use as required - = Non illustrated part # = New this model year

April 9, 2002

**Parking Sprag
Figure 41TE-AE-730**



ITEM	PART NUMBER	QTY	LINE	SERIES	ENGINE	TRANS	DESCRIPTION
------	-------------	-----	------	--------	--------	-------	-------------

Note: Sales Codes n key.

[DGL] = 4 Speed Automatic Transmissions 41TE n key.

[ECB] = 2.0L 4 Cylinder SOHC 16V SMPI n key.

1	4883 505AA	1			ECB	DGL	GUIDE PACKAGE, Parking Sprag Pawl
2	4431 653	1			ECB	DGL	SPRING, Parking Sprag Return
3	4431 999	1			ECB	DGL	SHAFT, Parking Sprag
4	4412 289	1			ECB	DGL	SHAFT, Parking Sprag
5	4446 612	1			ECB	DGL	CUP, Parking Brake Sprag
6	4431 634	1			ECB	DGL	ROD, Parking Sprag
7	6035 256	1			ECB	DGL	SNAP RING, Rod

DODGE - CHRYSLER NEON (PL)

SERIES	LINE	BODY	ENGINE	TRANSMISSION
L=Low Line	Z= Chrysler, RHD	41 = 4 Door,	ECB = 2.0L 4 Cyl. , 16V SMPI	DD5 = 5 Speed Manual
H=High Line	D= Dodge	104WB	ECH = 2.0L 4 Cyl, 16V SOHC	DGL = 4 Speed Automatic
S = Special	C= Chrysler		EJD, EJO = 1.6L 4 Cyl 16v, SOHC	DG0 = All Automatics
P = Premium				DBB = All 5 Speed Manual
X = R/T				

AR = Use as required - = Non illustrated part # = New this model year

April 9, 2002

Differential Figure 41TE-AE-810

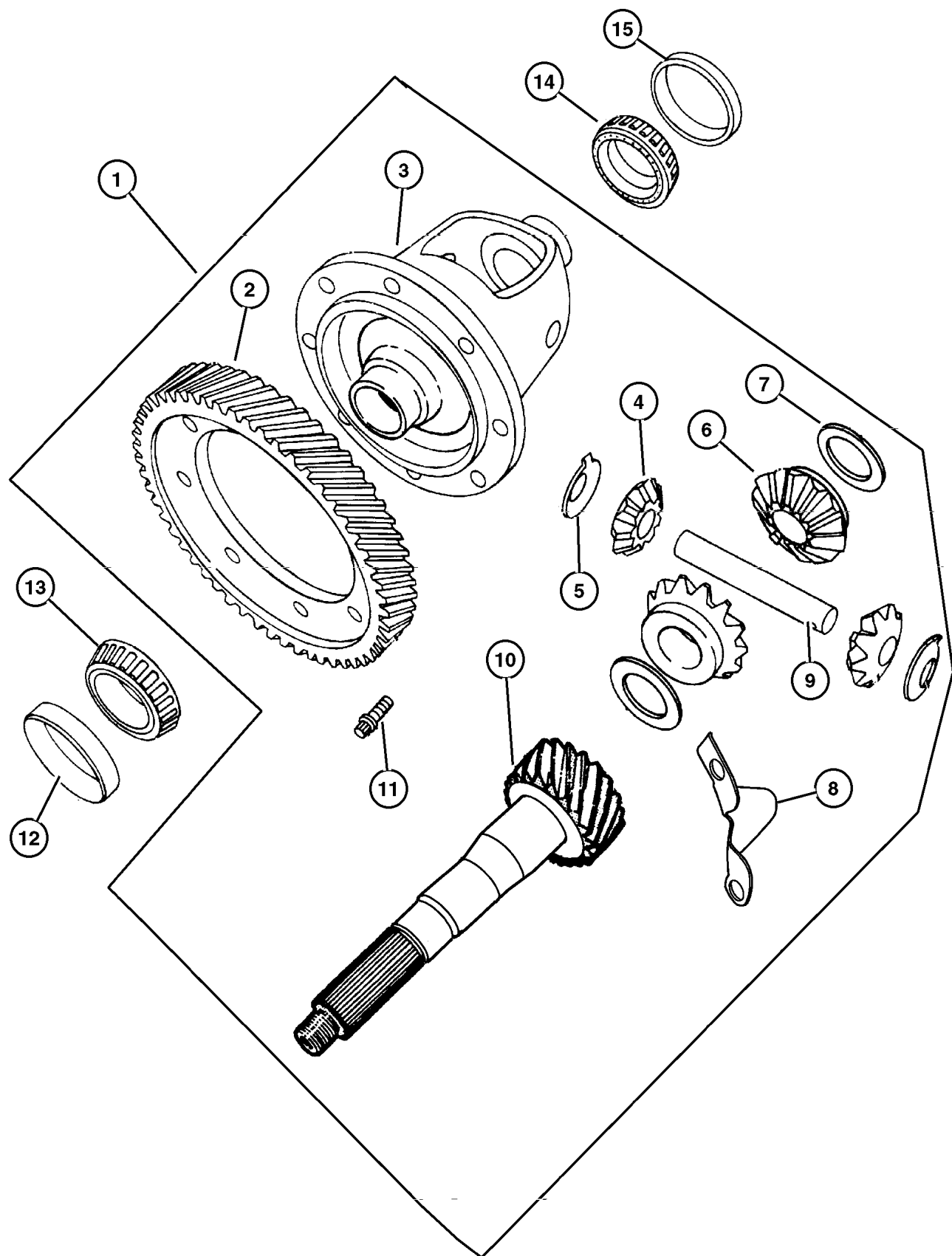
ITEM	PART NUMBER	QTY	LINE	SERIES	ENGINE	TRANS	DESCRIPTION
------	-------------	-----	------	--------	--------	-------	-------------

Note: Sales Codes n key.

[DGL] = 4 Speed Automatic Transmissions 41TE n key.

[ECB] = 2.0L 4 Cylinder SOHC 16V SMPI n key.

1	4659 496AB	1			ECB	DGL	DIFFERENTIAL, Transaxle
2	4659 175	1			ECB	DGL	GEAR, Differential Ring, 60 Teeth
3	4659 500AB	1			ECB	DGL	CASE, Differential
4	4348 679	2			ECB	DGL	PINION, Differential
5	4412 521	2			ECB	DGL	WASHER, Thrust
6	4659 502	2			ECB	DGL	GEAR, Differential Side
7	4504 568	1			ECB	DGL	WASHER PACKAGE, Side Gear Thrust
8	4800 058AA	2			ECB	DGL	BRACKET, Differential Pinion Shaft
9	4659 142AB	1			ECB	DGL	SHAFT, Pinion Gear
10	4531 976	1			ECB	DGL	SHAFT, Transfer Gear
11	6501 240	12			ECB	DGL	BOLT, Hex Head, M10x1.00x25
12	4659 237	1			ECB	DGL	CUP, Differential Side Bearing
13	4659 238	1			ECB	DGL	BEARING CONE, Differential
14	4567 025AB	1			ECB	DGL	BEARING
15	4567 022	1			ECB	DGL	BEARING CUP, Differential



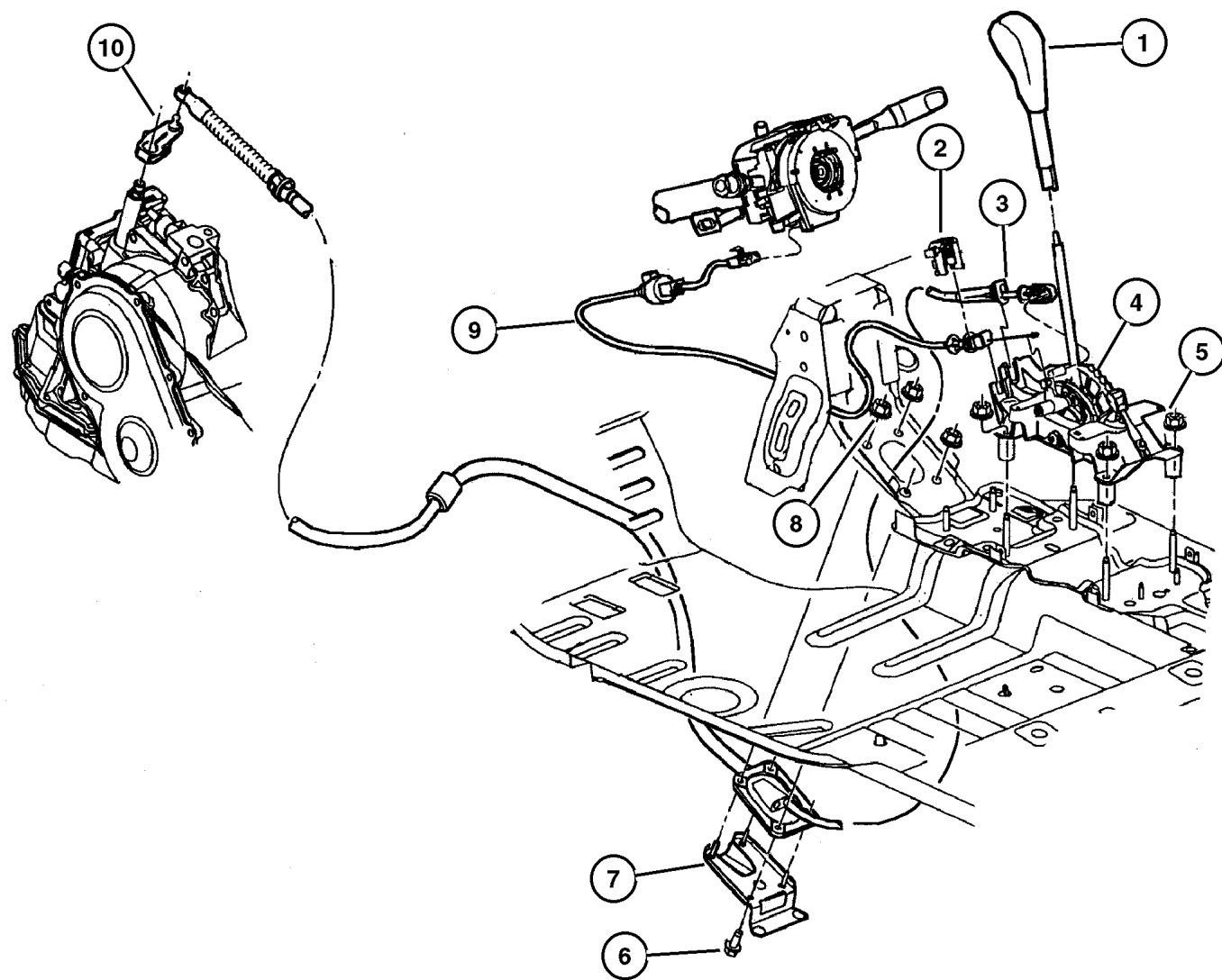
DODGE - CHRYSLER NEON (PL)

SERIES	LINE	BODY	ENGINE	TRANSMISSION
L=Low Line	Z= Chrysler, RHD	41 = 4 Door,	ECB = 2.0L 4 Cyl. , 16V SMPI	DD5 = 5 Speed Manual
H=High Line	D= Dodge	104WB	ECH = 2.0L 4 Cyl, 16V SOHC	DGL = 4 Speed Automatic
S = Special	C= Chrysler		EJD, EJ0 = 1.6L 4 Cyl 16v, SOHC	DG0 = All Automatics
P = Premium				DBB = All 5 Speed Manual
X = R/T				

AR = Use as required - = Non illustrated part # = New this model year

April 9, 2002

Controls, Floor Shift
Figure 41TE-AE-1210



ITEM	PART NUMBER	QTY	LINE	SERIES	ENGINE	TRANS	DESCRIPTION
Note: Sales Codes n key.							
[DGL] = 4 Speed Automatic Transmissions 41TE n key.							
[ECB] = 2.0L 4 Cylinder SOHC 16V SMPI n key.							
1							KNOB, Gearshift
	4668 575AB	1				DGL	Vinyl
	4668 576AB	1				DGL	Leather
	#5274 514AA	1				DGL	Autostick
2	4668 630AB	1				DGL	CLIP, Locking
3	4668 900AF	1				DGL	CABLE, Gearshift Control
4	4668 205AF	1				DGL	SHIFTER, Transmission
5	6506 014AA	4				DGL	NUT, Hex Flange Lock, M8x1.25
6	6034 716	1					SCREW AND WASHER, Hex Flange Head, .25-14x.875
7	4670 042AF	1					PLATE, Transmission Shifter
8	6100 048	1					NUT, Hex, M6x1.00
9							CABLE, Ignition Interlock
	4668 538AK	1	C, D			DGL	
	4668 617AH	1	Z			DGL	
10	4670 322	1				DGL	LEVER, Manual Control

DODGE - CHRYSLER NEON (PL)

SERIES	LINE	BODY	ENGINE	TRANSMISSION
L=Low Line	Z= Chrysler, RHD	41 = 4 Door,	ECB = 2.0L 4 Cyl. , 16V SMPI	DD5 = 5 Speed Manual
H=High Line	D= Dodge	104WB	ECH = 2.0L 4 Cyl, 16V SOHC	DGL = 4 Speed Automatic
S = Special	C= Chrysler		EJD, EJO = 1.6L 4 Cyl 16v, SOHC	DG0 = All Automatics
P = Premium				DBB = All 5 Speed Manual
X = R/T				

AR = Use as required - = Non illustrated part # = New this model year

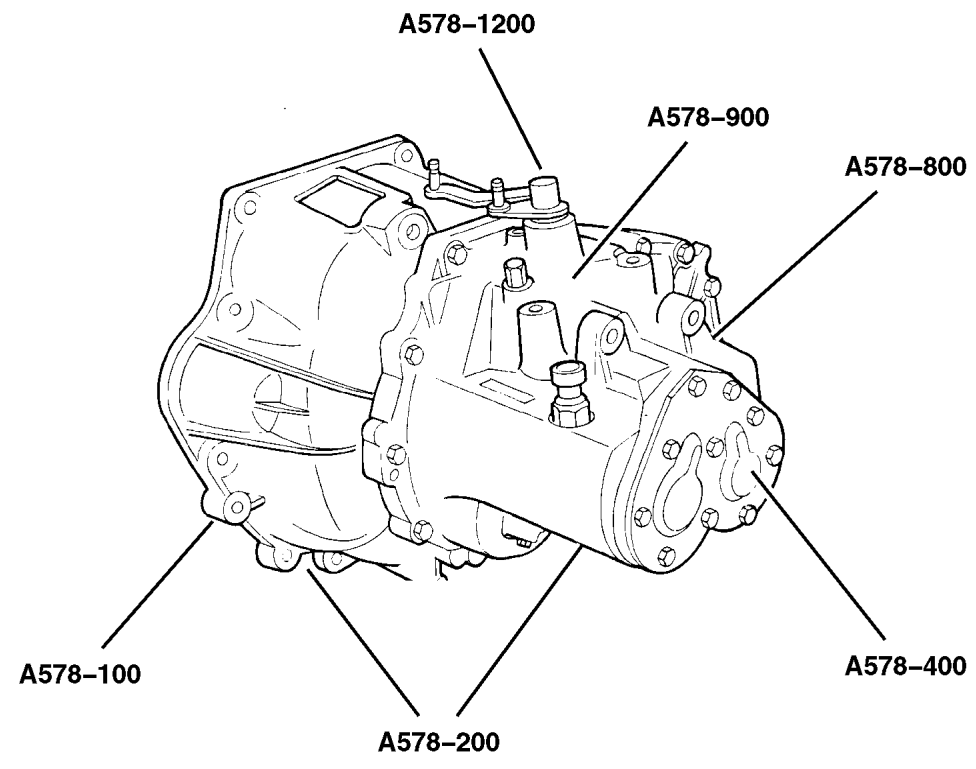
April 9, 2002

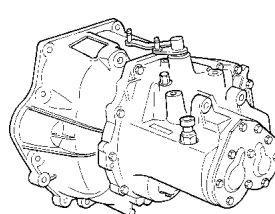
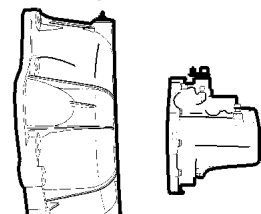
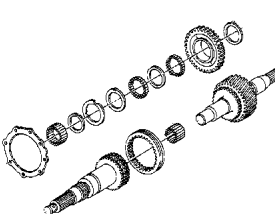
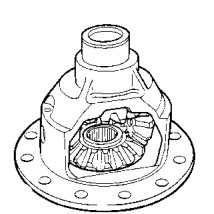
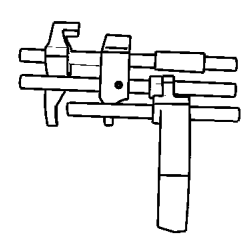
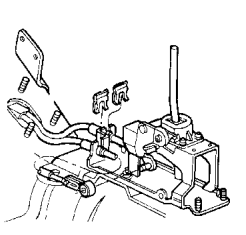
Group – A578

Manual Transaxle 5 Speed

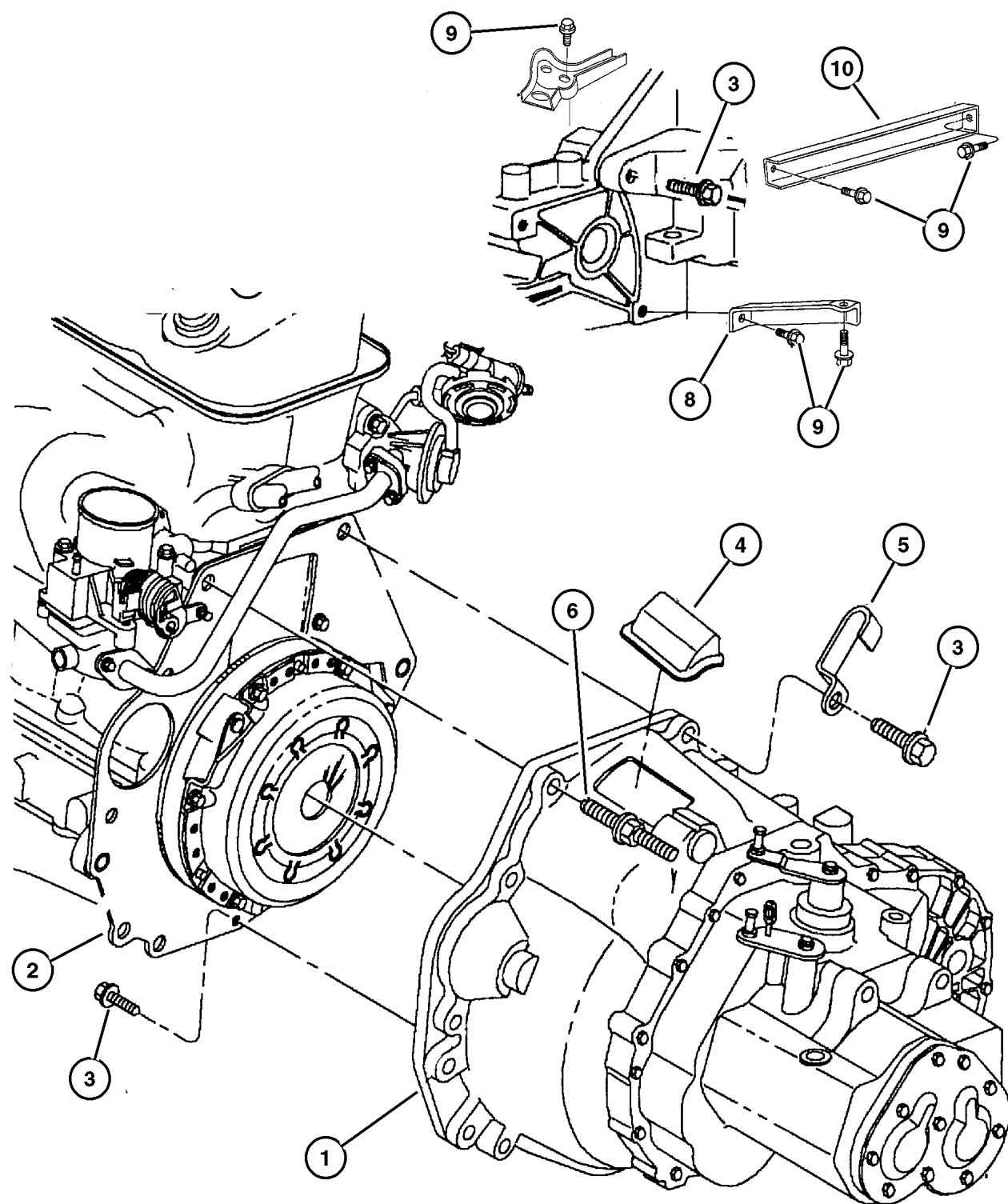
GROUP A578 - Manual Transaxle 5 Speed

Illustration Title	Group-Fig. No.
Transaxle Assembly	
Transaxle Assemblies and Mounting [DD5]	Fig. A578-110
Case and Extension	
Case, Transaxle And Related Parts, [DD5]	Fig. A578-210
Gear Train	
Gear Train [DD5]	Fig. A578-410
Differential	
Differential, [DD5]	Fig. A578-810
Fork and Rails	
Fork and Rail Assemblies [DD5]	Fig. A578-910
Gearshift Controls	
Gearshift Controls [DD5]	Fig. A578-1210



<p>A578-100 Transaxle Assembly</p> 	<p>A578-200 Case and Extension</p> 	<p>A578-400 Gear Train</p> 	<p>A578-800 Differential</p> 
<p>A578-900 Fork and Rails</p> 	<p>A578-1200 Gearshift Controls</p> 		

**Transaxle Assemblies and Mounting [DD5]
Figure A578-110**



ITEM	PART NUMBER	QTY	LINE	SERIES	ENGINE	TRANS	DESCRIPTION
Note: Sales Codes n key.							
[DD5] = 5 Speed Manual Transmission n key.							
[EJD] = 1.6L 4 Cylinder SOHC 16V SMPI n key.							
[ECB] = 2.0L 4 Cylinder SOHC 16V SMPI n key.							
[ECH] = 2.0L 4 Cylinder SOHC 16V SMPI Hi Performance n key.							
1							TRANSAXLE
	#5016 611AD	1			EJD	DD5	Production Number 4668611AD
	#5017 697AD	1			ECB	DD5	Production Number 4668697AD
	#5080 980AA	1			ECH	DD5	Production Number 4668980AA
2							COVER, Transaxle Converter
	4668 514AA	1			EJD	DD5	
	4670 197AC	1			ECB, ECH	DD5	
3	6501 742	3				DD5	SCREW, Hex Head, M12x1.75x50
4	4670 071	1			EJD	DD5	BOOT, Clutch Release Lever
		1			ECB	DD5	
		1			ECH	DD5	
5	4608 404	1					CLIP, Transaxle
6	6505 314AA	2			EJD		STUD
		2			ECB		
		2			ECH		
-7	4761 085	2			EJD	DD5	STUD, M12x1.75/M10x1.25x94.5
		2			ECB	DD5	
		2			ECH	DD5	
8							BRACE, Transmission, (NOT SERVICED)
9	6101 503	2			ECB, ECH		SCREW AND WASHER, Hex Head, M10x1.5x25
10	4668 176AC	1			ECB, ECH	DD5	STRUT, Engine

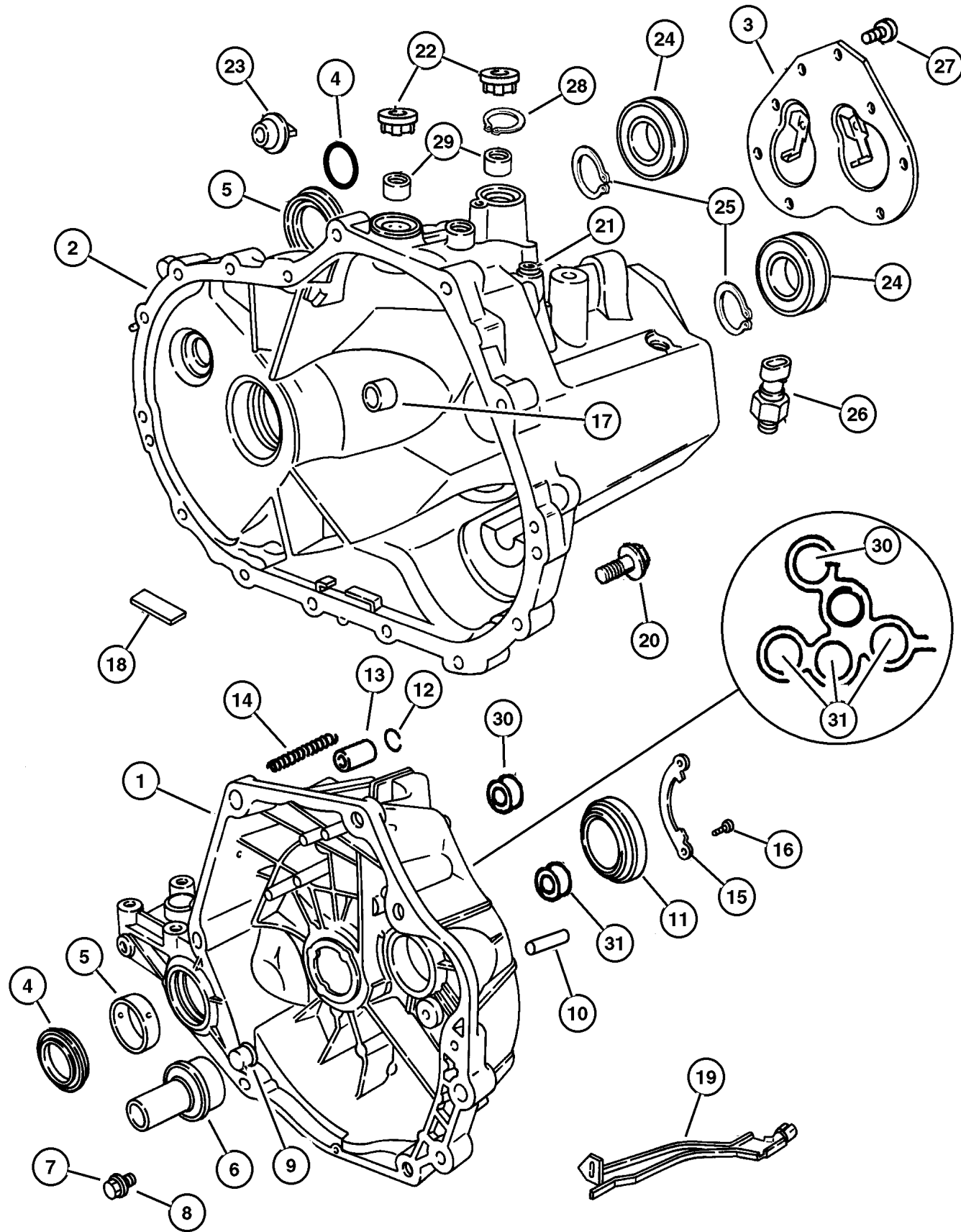
DODGE - CHRYSLER NEON (PL)

SERIES	LINE	BODY	ENGINE	TRANSMISSION
L=Low Line	Z= Chrysler, RHD	41 = 4 Door,	ECB = 2.0L 4 Cyl. , 16V SMPI	DD5 = 5 Speed Manual
H=High Line	D= Dodge	104WB	ECH = 2.0L 4 Cyl, 16V SOHC	DGL = 4 Speed Automatic
S = Special	C= Chrysler		EJD, EJO = 1.6L 4 Cyl 16v, SOHC	DG0 = All Automatics
P = Premium				DBB = All 5 Speed Manual
X = R/T				

AR = Use as required - = Non illustrated part # = New this model year

April 9, 2002

Case, Transaxle And Related Parts, [DD5]
Figure A578-210



ITEM	PART NUMBER	QTY	LINE	SERIES	ENGINE	TRANS	DESCRIPTION
Note Sales Codes n key.							
[DD5] = 5 Speed Manual Transmissions n key.							
[EJD] = 1.6L 4 Cylinder SOHC 16V SMPI n key.							
[ECB] = 2.0L 4 Cylinder SOHC 16V SMPI n key.							
[ECH] = 2.0L 4 Cylinder SOHC 16V SMPI Hi Performance n key.							
1							HOUSING, Clutch
	5071 706AA	1			EJD	DD5	
	5016 237AA	1			ECB	DD5	
		1			ECH	DD5	
2							CASE, Transmission
	4761 074	1			EJD	DD5	
	5016 883AA	1			ECB	DD5	
		1			ECH	DD5	
3							PLATE, Transaxle Case Rear
	5014 463AA	1			EJD	DD5	
		1			ECB	DD5	
		1			ECH	DD5	
4							SEAL, Differential Bearing
	4797 334	2			EJD	DD5	
		2			ECB	DD5	
		2			ECH	DD5	
5							BEARING CUP, Differential
	4567 022	1			EJD	DD5	
		1			ECB	DD5	
		1			ECH	DD5	
6							BEARING, Input Shaft
	4761 090	1			EJD	DD5	
		1			ECB	DD5	
		1			ECH	DD5	
7							SCREW, Drain
	4761 101	1			EJD	DD5	
		1			ECB	DD5	
		1			ECH	DD5	
8							WASHER, Drain Plug
	4761 100	1			EJD	DD5	
		1			ECB	DD5	
		1			ECH	DD5	
9							PIVOT, Clutch Release Lever
	4670 240	1			EJD	DD5	
		1			ECB	DD5	
		1			ECH	DD5	
10							PIN, Locating

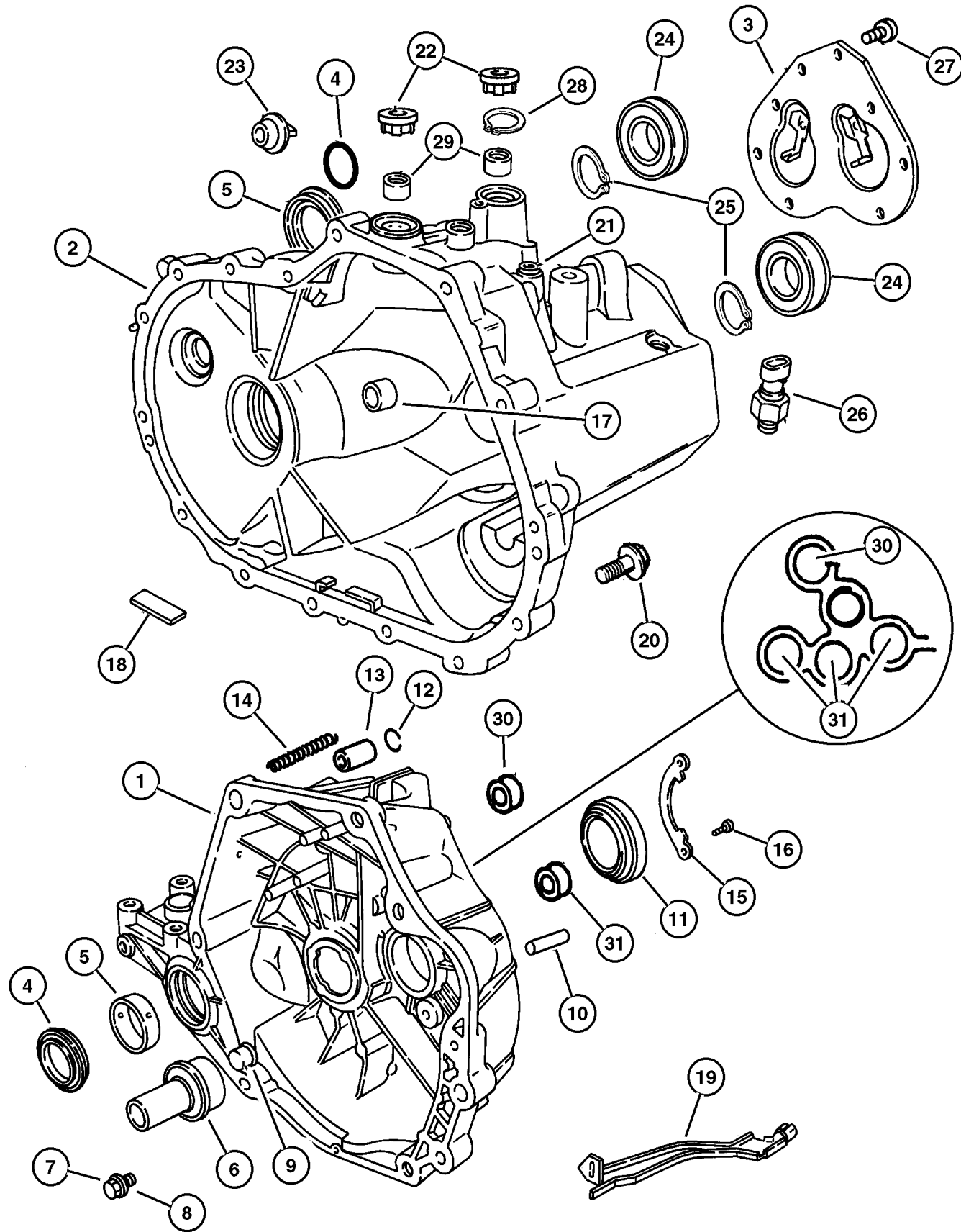
DODGE - CHRYSLER NEON (PL)

SERIES	LINE	BODY	ENGINE	TRANSMISSION
L=Low Line	Z= Chrysler, RHD	41 = 4 Door,	ECB = 2.0L 4 Cyl. , 16V SMPI	DD5 = 5 Speed Manual
H=High Line	D= Dodge	104WB	ECH = 2.0L 4 Cyl, 16V SOHC	DGL = 4 Speed Automatic
S = Special	C= Chrysler		EJD, EJ0 = 1.6L 4 Cyl 16v, SOHC	DG0 = All Automatics
P = Premium				DBB = All 5 Speed Manual
X = R/T				

AR = Use as required - = Non illustrated part # = New this model year

April 9, 2002

Case, Transaxle And Related Parts, [DD5]
Figure A578-210



ITEM	PART NUMBER	QTY	LINE	SERIES	ENGINE	TRANS	DESCRIPTION
	4761 099	2			EJD	DD5	
		1			ECH	DD5	
11		2			ECB	DD5	BEARING PACKAGE, Output Shaft
	4761 093	1			EJD	DD5	
		1			ECB	DD5	
12		1			ECH	DD5	SNAP RING
	4761 096	1			EJD	DD5	
		1			ECB	DD5	
13		1			ECH	DD5	DETENT, Valve Body
	4761 094	1			EJD	DD5	
		1			ECB	DD5	
14		1			ECH	DD5	SPRING, Select Detent
	4761 095	1			EJD	DD5	
		1			ECB	DD5	
15		1			ECH	DD5	RETAINER, Transmission Output Shaft Bearing
	4761 097	1			EJD	DD5	
		1			ECB	DD5	
16		1			ECH	DD5	BOLT, Output Shaft Bearing
	4761 098	2			EJD	DD5	
		2			ECB	DD5	
17		2			ECH	DD5	BUSHING, Shift Rail
	4740 899	1			EJD	DD5	15mm I.D.. 12mm Long
		1			ECB	DD5	15mm I.D.. 12mm Long
		1			ECH	DD5	15mm I.D.. 12mm Long
	4761 076	1			EJD	DD5	15mm I.D.. 10mm Long
		1			ECB	DD5	15mm I.D.. 10mm Long
		1			ECH	DD5	15mm I.D.. 10mm Long
	4762 605	3			EJD	DD5	14mm I.D.. 10mm Long
		3			ECB	DD5	14mm I.D.. 10mm Long
		3			ECH	DD5	14mm I.D.. 10mm Long
18							MAGNET, Transmission
	4761 078	1			EJD	DD5	
		1			ECB	DD5	
		1			ECH	DD5	
19							TROUGH, Lubrication

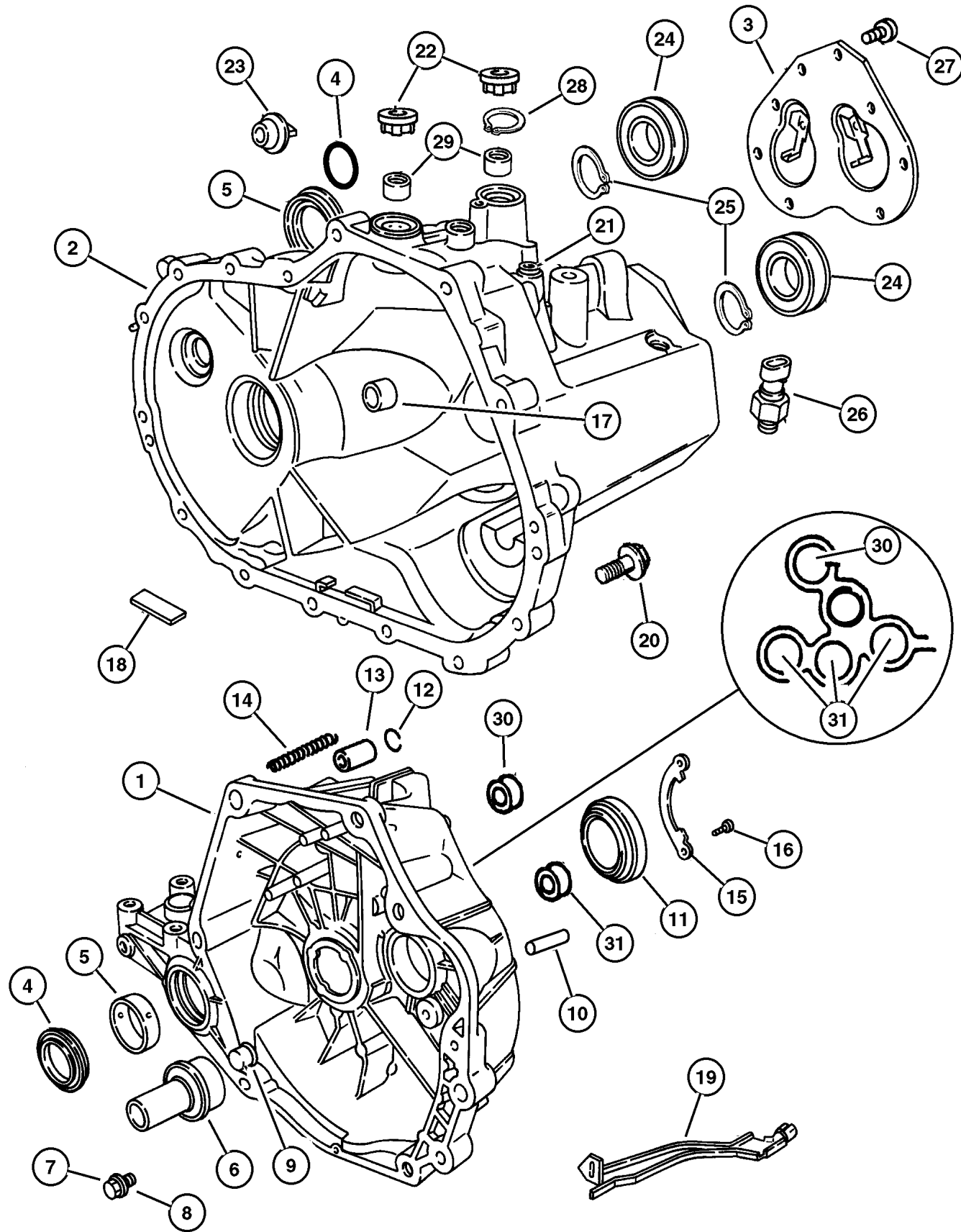
DODGE - CHRYSLER NEON (PL)

SERIES	LINE	BODY	ENGINE	TRANSMISSION
L=Low Line	Z= Chrysler, RHD	41 = 4 Door,	ECB = 2.0L 4 Cyl. , 16V SMPI	DD5 = 5 Speed Manual
H=High Line	D= Dodge	104WB	ECH = 2.0L 4 Cyl, 16V SOHC	DGL = 4 Speed Automatic
S = Special	C= Chrysler		EJD, EJ0 = 1.6L 4 Cyl 16v, SOHC	DG0 = All Automatics
P = Premium				DBB = All 5 Speed Manual
X = R/T				

AR = Use as required - = Non illustrated part # = New this model year

April 9, 2002

Case, Transaxle And Related Parts, [DD5]
Figure A578-210



ITEM	PART NUMBER	QTY	LINE	SERIES	ENGINE	TRANS	DESCRIPTION
	4761 087	1			EJD	DD5	
		1			ECB	DD5	
20		1			ECH	DD5	BOLT AND CONED WASHER, Hex Head, M8x45x17
	6100 299	13			EJD	DD5	
		13			ECB	DD5	
		13			ECH	DD5	
21							VENT, Cap, Jiggle
	#5080 970AA	1			EJD	DD5	
	2124 715	1			ECB	DD5	
		1			ECH	DD5	
22							SEAL, Shift Lever
	4761 077	2			EJD	DD5	
		2			ECB	DD5	
		2			ECH	DD5	
23							PLUG, Oil Fill
	4348 325	1			EJD	DD5	
		1			ECB	DD5	
		1			ECH	DD5	
24							BEARING, Input Shaft
	4761 090	1			EJD	DD5	
	5013 634AA	2			ECB	DD5	
		2			ECH	DD5	
25							SNAP RING
	4761 080	2			EJD	DD5	
		2			ECB	DD5	
		2			ECH	DD5	
26							SWITCH, Back Up Lamp
	4864 775	1			EJD	DD5	
		1			ECB	DD5	
		1			ECH	DD5	
27							BOLT, Case Plate
	4761 082	10			EJD	DD5	
		10			ECB	DD5	
		10			ECH	DD5	
28							RETAINER, Shaft
	4762 606	1			EJD	DD5	
		1			ECB	DD5	
		1			ECH	DD5	
29							BUSHING, Crossover Shaft

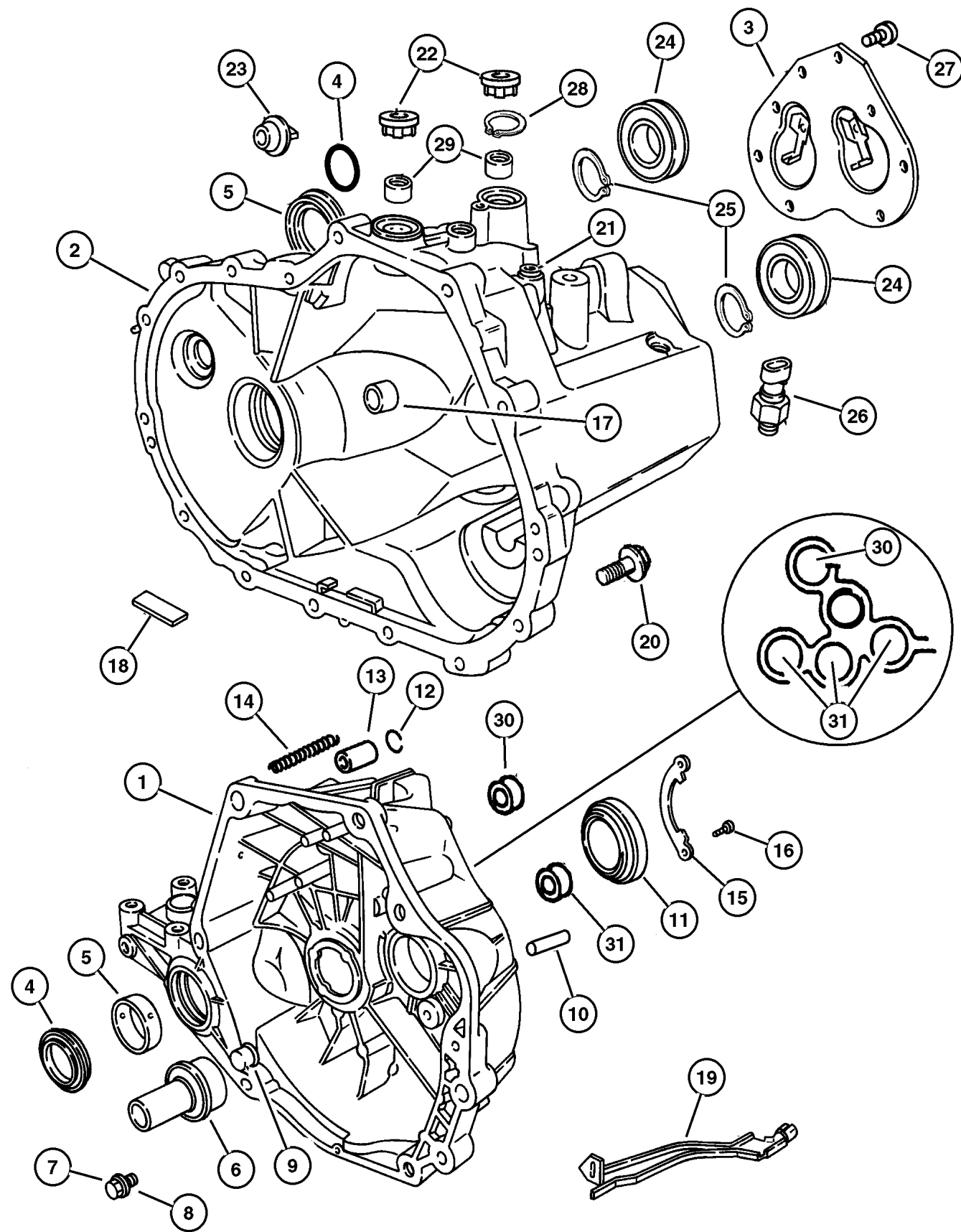
DODGE - CHRYSLER NEON (PL)

SERIES	LINE	BODY	ENGINE	TRANSMISSION
L=Low Line	Z= Chrysler, RHD	41 = 4 Door, 104WB	ECB = 2.0L 4 Cyl. , 16V SMPI	DD5 = 5 Speed Manual
H=High Line	D= Dodge		ECH = 2.0L 4 Cyl, 16V SOHC	DGL = 4 Speed Automatic
S = Special	C= Chrysler		EJD, EJO = 1.6L 4 Cyl 16v, SOHC	DG0 = All Automatics
P = Premium				DBB = All 5 Speed Manual
X = R/T				

AR = Use as required - = Non illustrated part # = New this model year

April 9, 2002

Case, Transaxle And Related Parts, [DD5]
Figure A578-210



ITEM	PART NUMBER	QTY	LINE	SERIES	ENGINE	TRANS	DESCRIPTION
	4762 602	1			EJD	DD5	
		1			ECB	DD5	
		1			ECH	DD5	
30							BUSHING, Shift Rail
	4761 076	1		EJD	DD5		15mm I.D., 25mm Long
		1		ECB	DD5		15mm I.D., 25mm Long
		1		ECH	DD5		15mm I.D., 25mm Long
31							BUSHING, Shift Rail
	4740 899	1		EJD	DD5		15mm I.D., 12mm Long
		1		ECB	DD5		15mm I.D., 12mm Long
		1		ECH	DD5		15mm I.D., 12mm Long

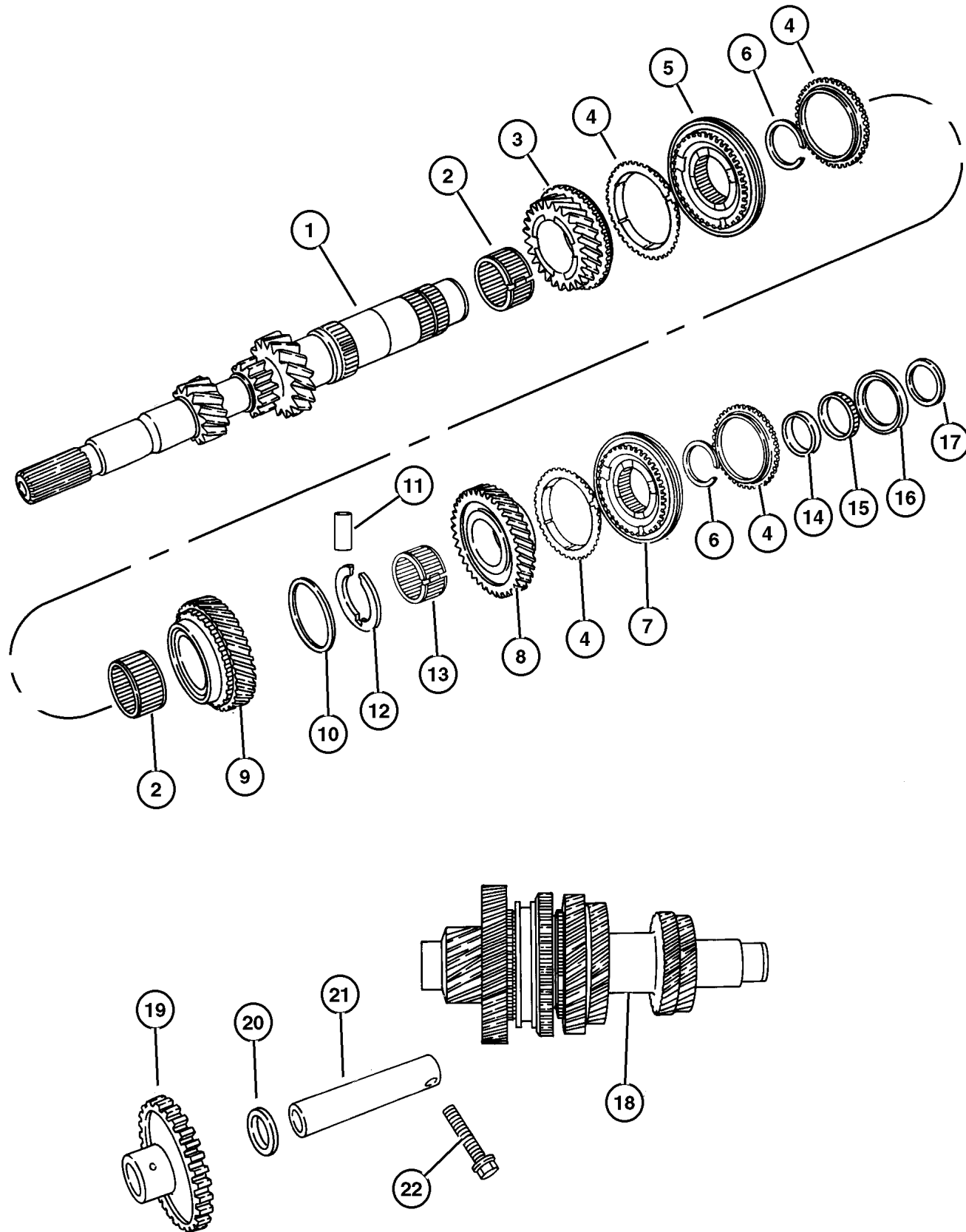
DODGE - CHRYSLER NEON (PL)

SERIES	LINE	BODY	ENGINE	TRANSMISSION
L=Low Line	Z= Chrysler, RHD	41 = 4 Door,	ECB = 2.0L 4 Cyl. , 16V SMPI	DD5 = 5 Speed Manual
H=High Line	D= Dodge	104WB	ECH = 2.0L 4 Cyl, 16V SOHC	DGL = 4 Speed Automatic
S = Special	C= Chrysler		EJD, EJO = 1.6L 4 Cyl 16v, SOHC	DG0 = All Automatics
P = Premium				DBB = All 5 Speed Manual
X = R/T				

AR = Use as required - = Non illustrated part # = New this model year

April 9, 2002

**Gear Train [DD5]
Figure A578-410**



ITEM	PART NUMBER	QTY	LINE	SERIES	ENGINE	TRANS	DESCRIPTION
Note: Sales Codes n key. [DD5] = 5 Speed Manual Transmission n key. [EJD] = 1.6L 4 Cylinder SOHC 16V SMPI n key. [ECB] = 2.0L 4 Cylinder SOHC 16V SMPI n key. [ECH] = 2.0L 4 Cylinder SOHC 16V SMPI Hi Performance n key.							
1	5019 573AA	1			EJD	DD5	INPUT SHAFT PACKAGE, Transaxle
		1			ECB	DD5	
		1			ECH	DD5	
2	4762 612	2			EJD	DD5	NEEDLE BEARING
		2			ECB	DD5	
		2			ECH	DD5	
3	5014 863AA	1			EJD	DD5	GEAR, Third
		1			ECB	DD5	
		1			ECH	DD5	
4	4874 135	2			EJD	DD5	STOP RING, Synchronizer
		2			ECB	DD5	
		2			ECH	DD5	
5	5018 964AA	1			EJD	DD5	SYNCHRONIZER, Third and Fourth
		1			ECB	DD5	
		1			ECH	DD5	
6	4761 136	1			EJD	DD5	RING, Synchronizer Hub, Yellow
		1			ECB	DD5	
		1			ECH	DD5	
7	5018 965AA	1			EJD	DD5	SYNCHRONIZER, Fifth
		1			ECB	DD5	
		1			ECH	DD5	
8	4761 141	1			EJD	DD5	GEAR, Fifth
		1			ECB	DD5	
		1			ECH	DD5	
9	5016 877AA	1			EJD	DD5	GEAR, Fourth
		1			ECB	DD5	
		1			ECH	DD5	
10							RING, 4th Gear

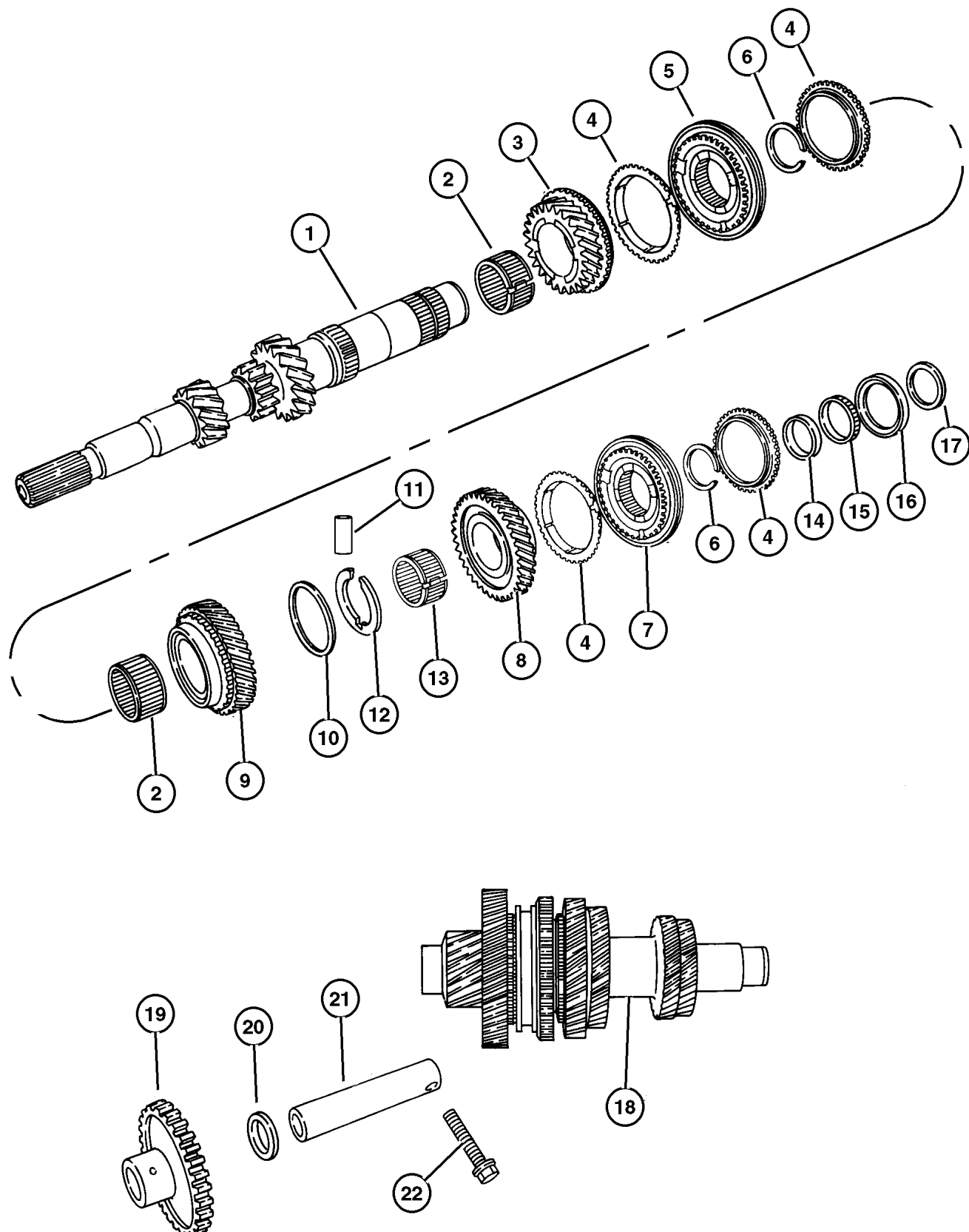
DODGE - CHRYSLER NEON (PL)

SERIES	LINE	BODY	ENGINE	TRANSMISSION
L=Low Line	Z= Chrysler, RHD	41 = 4 Door,	ECB = 2.0L 4 Cyl. , 16V SMPI	DD5 = 5 Speed Manual
H=High Line	D= Dodge	104WB	ECH = 2.0L 4 Cyl, 16V SOHC	DGL = 4 Speed Automatic
S = Special	C= Chrysler		EJD, EJO = 1.6L 4 Cyl 16v, SOHC	DG0 = All Automatics
P = Premium				DBB = All 5 Speed Manual
X = R/T				

AR = Use as required - = Non illustrated part # = New this model year

April 9, 2002

**Gear Train [DD5]
Figure A578-410**



ITEM	PART NUMBER	QTY	LINE	SERIES	ENGINE	TRANS	DESCRIPTION
	4761 138	1			EJD	DD5	
		1			ECB	DD5	
11		1			ECH	DD5	PIN, Mainshaft
	4761 140	1			ECB	DD5	
		1			ECH	DD5	
12		1			EJD	DD5	WASHER, Fourth Gear
	4761 137	2			EJD	DD5	
		2			ECB	DD5	
13		2			ECH	DD5	NEEDLE BEARING
	4761 119	1			EJD	DD5	
		1			ECB	DD5	
14		1			ECH	DD5	BEARING CUP, Reverse Brake
	4761 120	1			EJD	DD5	
		1			ECB	DD5	
15		1			ECH	DD5	NEEDLE BEARING
	4761 119	1			EJD	DD5	
		1			ECB	DD5	
16		1			ECH	DD5	BEARING CONE, Reverse Brake
	4761 121	1			ECB	DD5	
		1			ECH	DD5	
17		1			EJD	DD5	SPACER, Reverse Brake
	4761 118	1			EJD	DD5	
		1			ECB	DD5	
18		1			ECH	DD5	OUTPUT SHAFT, Transaxle
	5017 853AA	1			EJD	DD5	
	5017 382AA	1			ECB	DD5	
	5017 853AA	1			ECH	DD5	
19		1			EJD	DD5	GEAR, Reverse Idler
		1			ECB	DD5	
		1			ECH	DD5	
20		1			EJD	DD5	SPACER, Reverse Idler
	4761 127	1			EJD	DD5	

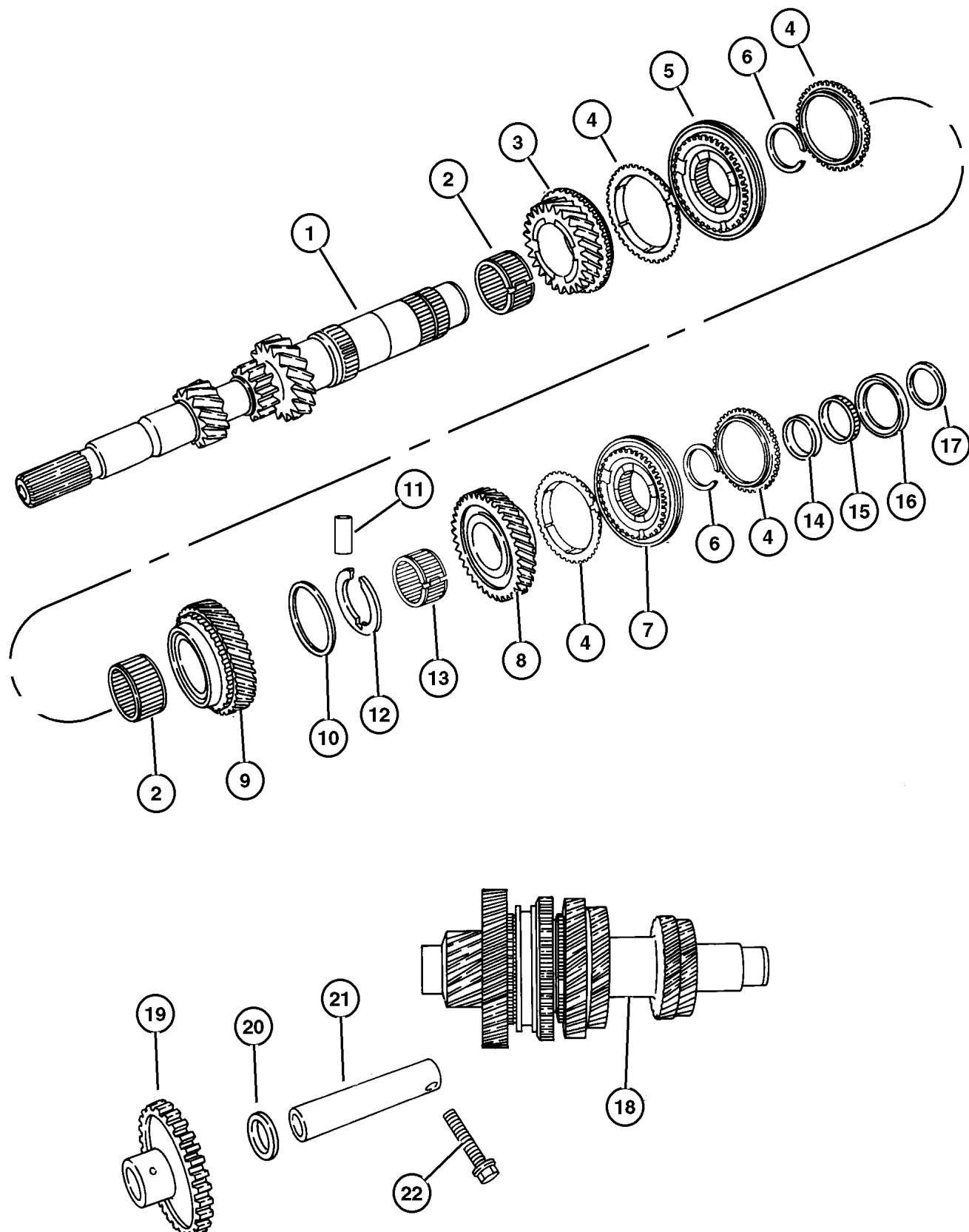
DODGE - CHRYSLER NEON (PL)

SERIES	LINE	BODY	ENGINE	TRANSMISSION
L=Low Line	Z= Chrysler, RHD	41 = 4 Door,	ECB = 2.0L 4 Cyl. , 16V SMPI	DD5 = 5 Speed Manual
H=High Line	D= Dodge	104WB	ECH = 2.0L 4 Cyl, 16V SOHC	DGL = 4 Speed Automatic
S = Special	C= Chrysler		EJD, EJO = 1.6L 4 Cyl 16v, SOHC	DG0 = All Automatics
P = Premium				DBB = All 5 Speed Manual
X = R/T				

AR = Use as required - = Non illustrated part # = New this model year

April 9, 2002

**Gear Train [DD5]
Figure A578-410**



ITEM	PART NUMBER	QTY	LINE	SERIES	ENGINE	TRANS	DESCRIPTION
		1			ECB	DD5	
		1			ECH	DD5	
21	4761 126	1		EJD	DD5		IDLER SHAFT, Transmission
		1			ECB	DD5	
22		1			ECH	DD5	BOLT AND CONED WASHER, Hex Head, M8x45x17
	6100 299	1			EJD	DD5	
		1			ECB	DD5	
-23	5291 532AB	2			ECH	DD5	RETAINER

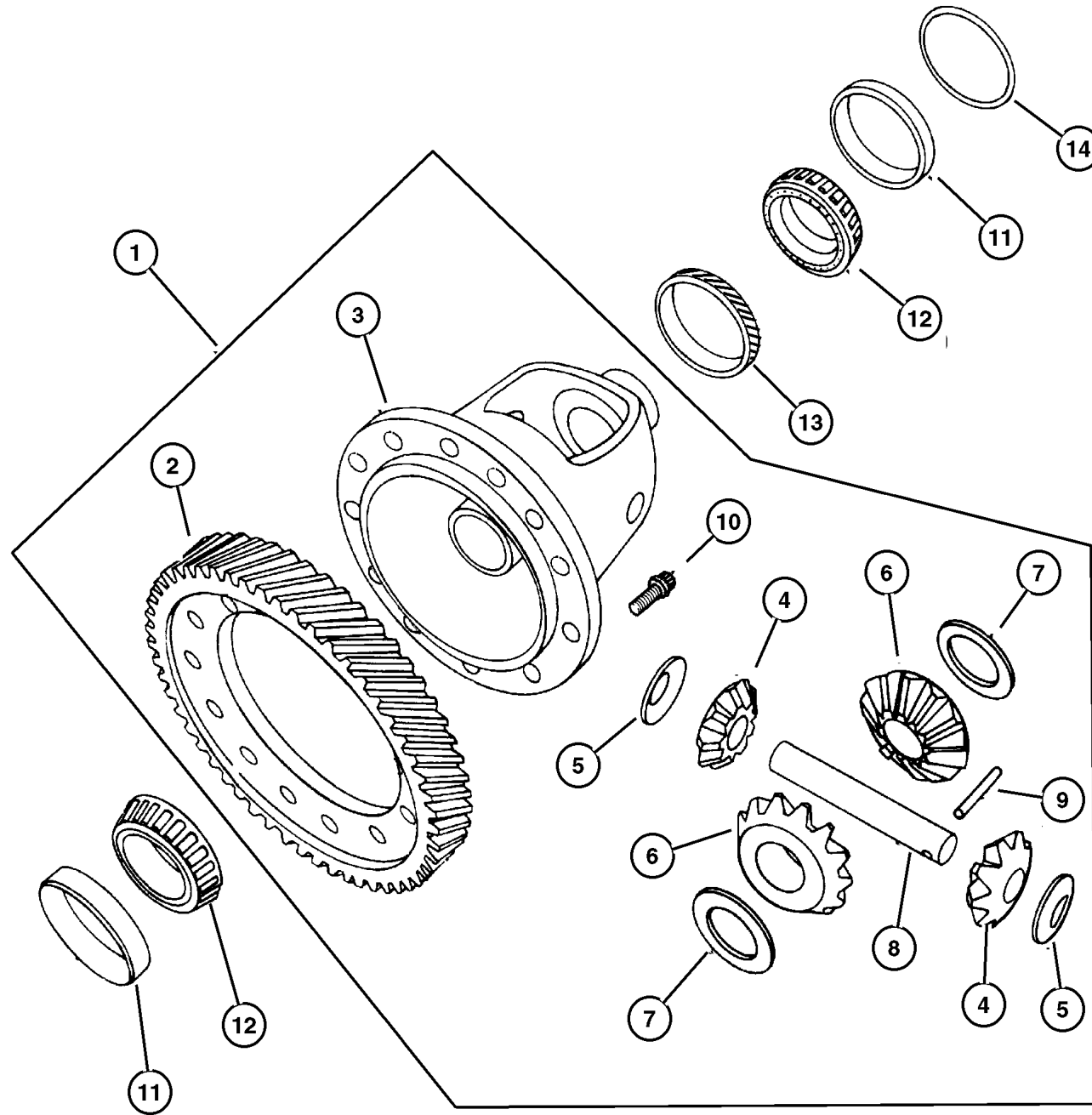
DODGE - CHRYSLER NEON (PL)

SERIES	LINE	BODY	ENGINE	TRANSMISSION
L=Low Line	Z= Chrysler, RHD	41 = 4 Door, 104WB	ECB = 2.0L 4 Cyl. , 16V SMPI	DD5 = 5 Speed Manual
H=High Line	D= Dodge		ECH = 2.0L 4 Cyl, 16V SOHC	DGL = 4 Speed Automatic
S = Special	C= Chrysler		EJD, EJO = 1.6L 4 Cyl 16v, SOHC	DG0 = All Automatics
P = Premium				DBB = All 5 Speed Manual
X = R/T				

AR = Use as required - = Non illustrated part # = New this model year

April 9, 2002

Differential, [DD5]
Figure A578-810



ITEM	PART NUMBER	QTY	LINE	SERIES	ENGINE	TRANS	DESCRIPTION
Note: Sales Codes n key.							
[DD5] = 5 Speed Manual Transmission n key.							
[EJD] = 1.6L 4 Cylinder SOHC 16V SMPI n key.							
[ECB] = 2.0L 4 Cylinder SOHC 16V SMPI n key.							
[ECH] = 2.0L 4 Cylinder SOHC 16V SMPI Hi Performance n key.							
1							DIFFERENTIAL, Transaxle
	5017 848AA	1			EJD	DD5	
	4856 348	1			ECB	DD5	
	5017 848AA	1			ECH	DD5	
2							GEAR, Differential Ring
	5017 849AA	1			EJD	DD5	
	4761 104	1			ECB	DD5	
	5017 849AA	1			ECH	DD5	
3							CASE, Differential
	4761 102	1			EJD	DD5	
		1			ECB	DD5	
		1			ECH	DD5	
4							PINION, Differential
	4348 679	2			EJD	DD5	
		2			ECB	DD5	
		2			ECH	DD5	
5							WASHER, Pinion Thrust
	4137 024	2			EJD	DD5	
		2			ECB	DD5	
		2			ECH	DD5	
6							GEAR, Differential Side
	4659 502	2			EJD	DD5	
		2			ECB	DD5	
		2			ECH	DD5	
7							WASHER PACKAGE, Side Gear Thrust
	4504 568	1			ECB	DD5	
		1			ECH	DD5	
		1			ECB	DGL	
8							SHAFT, Pinion Gear
	4659 142	1			EJD	DD5	
		1			ECB	DD5	
		1			ECH	DD5	
9							PIN, Pinion Shaft
	6503 827	1			EJD	DD5	
		1			ECB	DD5	
		1			ECH	DD5	
10							BOLT, Differential Ring Gear

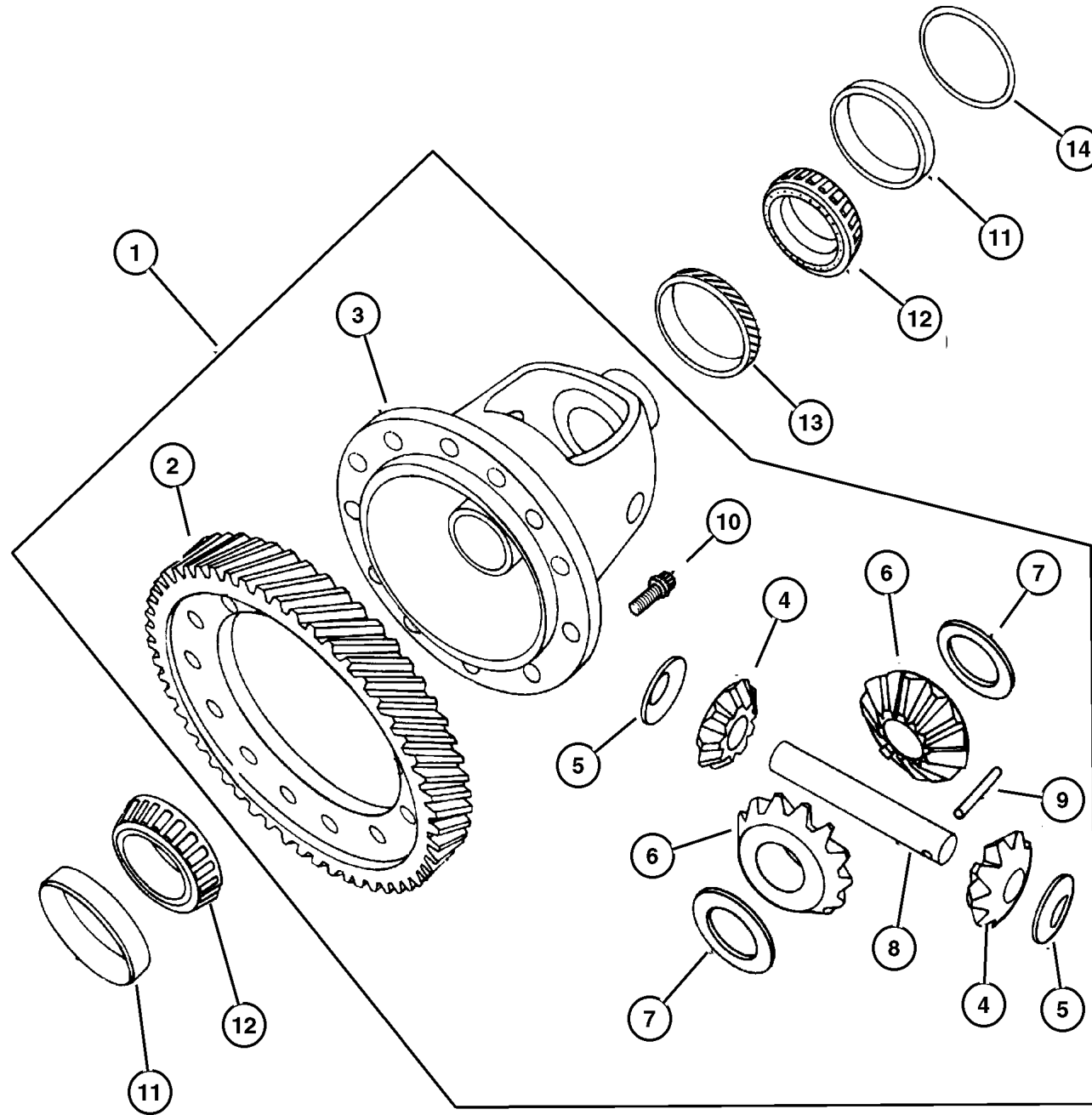
DODGE - CHRYSLER NEON (PL)

SERIES	LINE	BODY	ENGINE	TRANSMISSION
L=Low Line	Z= Chrysler, RHD	41 = 4 Door,	ECB = 2.0L 4 Cyl. , 16V SMPI	DD5 = 5 Speed Manual
H=High Line	D= Dodge	104WB	ECH = 2.0L 4 Cyl, 16V SOHC	DGL = 4 Speed Automatic
S = Special	C= Chrysler		EJD, EJ0 = 1.6L 4 Cyl 16v, SOHC	DG0 = All Automatics
P = Premium				DBB = All 5 Speed Manual
X = R/T				

AR = Use as required - = Non illustrated part # = New this model year

April 9, 2002

Differential, [DD5]
Figure A578-810



ITEM	PART NUMBER	QTY	LINE	SERIES	ENGINE	TRANS	DESCRIPTION
	5017 180AA	12			EJD	DD5	
		12			ECB	DD5	
		12			ECH	DD5	
11	4567 022	1			EJD	DD5	BEARING CUP, Differential
		1			ECB	DD5	
		1			ECH	DD5	
12	4567 025AB	2			EJD	DD5	BEARING
		2			ECB	DD5	
		2			ECH	DD5	
13	4797 316	1			EJD	DD5	GEAR, Speedometer Drive
		1			ECB	DD5	
		1			ECH	DD5	
14	4883 546AA	AR			EJD	DD5	SHIM, Final Drive, .42mm
		AR			ECB	DD5	
		AR			ECH	DD5	
-15	4883 545AA	AR			EJD	DD5	SHIM, Final Drive, .46mm
		AR			ECB	DD5	
		AR			ECH	DD5	
-16	5222 345	AR			EJD	DD5	SHIM, Final Drive, .50mm
		AR			ECB	DD5	
		AR			ECH	DD5	
-17	5222 346	AR			EJD	DD5	SHIM, Final Drive, .54mm
		AR			ECB	DD5	
		AR			ECH	DD5	
-18	5222 347	AR			EJD	DD5	SHIM, Final Drive, .58mm
		AR			ECB	DD5	
		AR			ECH	DD5	
-19	5222 348	AR			EJD	DD5	SHIM, Final Drive, .62mm
		AR			ECB	DD5	
		AR			ECH	DD5	
-20	5222 349	AR			EJD	DD5	SHIM, Final Drive, .66mm

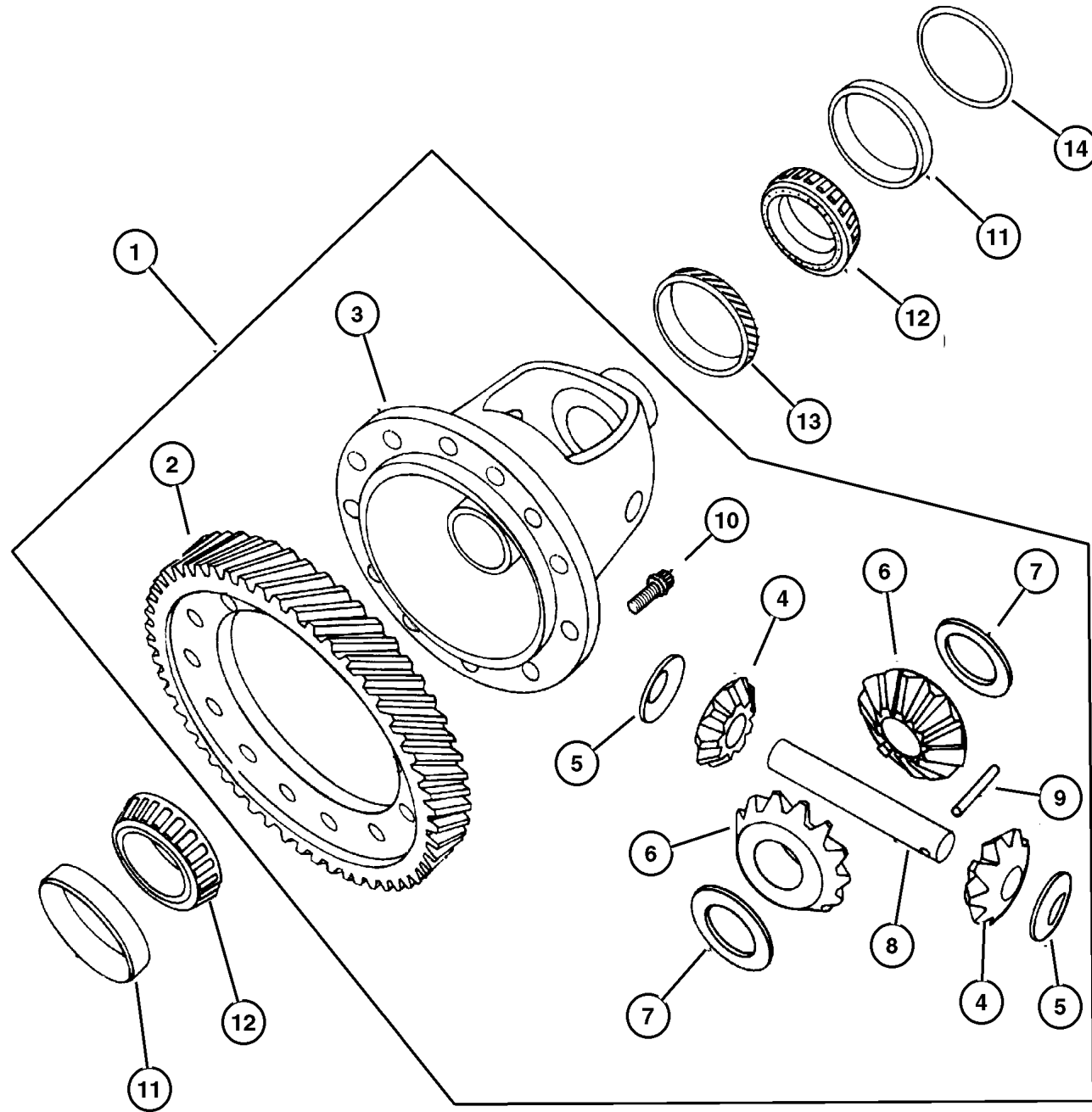
DODGE - CHRYSLER NEON (PL)

SERIES	LINE	BODY	ENGINE	TRANSMISSION
L=Low Line	Z= Chrysler, RHD	41 = 4 Door,	ECB = 2.0L 4 Cyl. , 16V SMPI	DD5 = 5 Speed Manual
H=High Line	D= Dodge	104WB	ECH = 2.0L 4 Cyl, 16V SOHC	DGL = 4 Speed Automatic
S = Special	C= Chrysler		EJD, EJ0 = 1.6L 4 Cyl 16v, SOHC	DG0 = All Automatics
P = Premium				DBB = All 5 Speed Manual
X = R/T				

AR = Use as required - = Non illustrated part # = New this model year

April 9, 2002

Differential, [DD5]
Figure A578-810



ITEM	PART NUMBER	QTY	LINE	SERIES	ENGINE	TRANS	DESCRIPTION
		AR			ECB	DD5	
		AR			ECH	DD5	
-21	5222 350	AR			EJD	DD5	SHIM, Final Drive, .70mm
		AR			ECB	DD5	
		AR			ECH	DD5	
-22	5222 352	AR			EJD	DD5	SHIM, Final Drive, .78mm
		AR			ECB	DD5	
		AR			ECH	DD5	
-23	5222 353	AR			EJD	DD5	SHIM, Final Drive, .82mm
		AR			ECB	DD5	
		AR			ECH	DD5	
-24	5222 355	AR			EJD	DD5	SHIM, Final Drive, .90mm
		AR			ECB	DD5	
		AR			ECH	DD5	
-25	5222 356	AR			EJD	DD5	SHIM, Final Drive, .94mm
		AR			ECB	DD5	
		AR			ECH	DD5	
-26	5222 358	AR			EJD	DD5	SHIM, Final Drive, 1.02mm
		AR			ECB	DD5	
		AR			ECH	DD5	
-27	5222 359	AR			EJD	DD5	SHIM, Final Drive, 1.06mm
		AR			ECB	DD5	
		AR			ECH	DD5	
-28	5222 362	AR			EJD	DD5	SHIM, Final Drive, 1.18mm
		AR			ECB	DD5	
		AR			ECH	DD5	
-29	5222 364	AR			EJD	DD5	SHIM, Final Drive, 1.26mm
		AR			ECB	DD5	
		AR			ECH	DD5	
-30	5222 365	AR			EJD	DD5	SHIM, Final Drive, 1.30mm
		AR			ECB	DD5	

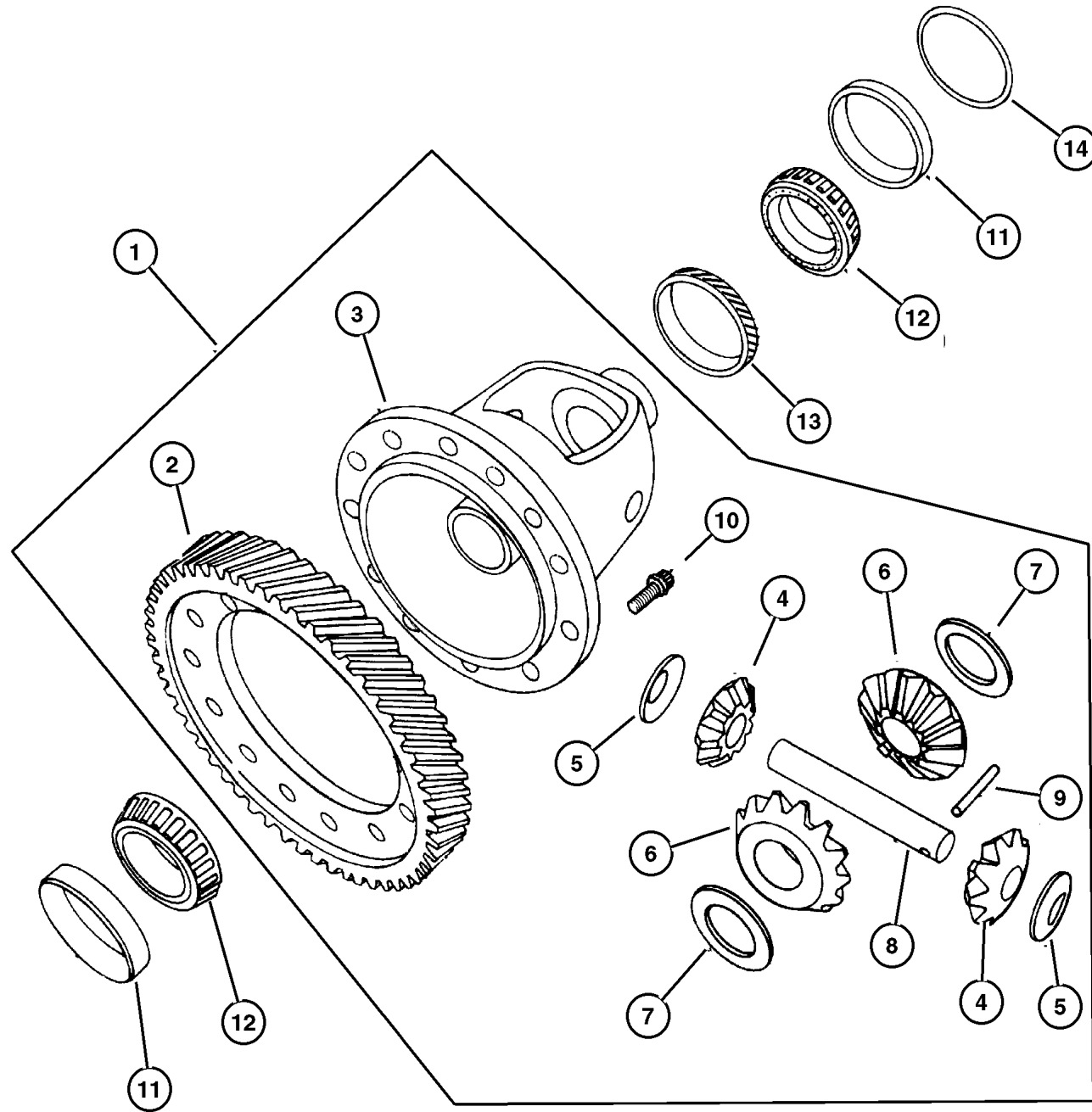
DODGE - CHRYSLER NEON (PL)

SERIES	LINE	BODY	ENGINE	TRANSMISSION
L=Low Line	Z= Chrysler, RHD	41 = 4 Door,	ECB = 2.0L 4 Cyl. , 16V SMPI	DD5 = 5 Speed Manual
H=High Line	D= Dodge	104WB	ECH = 2.0L 4 Cyl, 16V SOHC	DGL = 4 Speed Automatic
S = Special	C= Chrysler		EJD, EJO = 1.6L 4 Cyl 16v, SOHC	DG0 = All Automatics
P = Premium				DBB = All 5 Speed Manual
X = R/T				

AR = Use as required - = Non illustrated part # = New this model year

April 9, 2002

Differential, [DD5]
Figure A578-810



ITEM	PART NUMBER	QTY	LINE	SERIES	ENGINE	TRANS	DESCRIPTION
		AR			ECH	DD5	
-31	5222 367	AR			EJD	DD5	SHIM, Final Drive, 1.38mm
		AR			ECB	DD5	
		AR			ECH	DD5	
-32	5222 368	AR			EJD	DD5	SHIM, Final Drive, 1.42mm
		AR			ECB	DD5	
		AR			ECH	DD5	

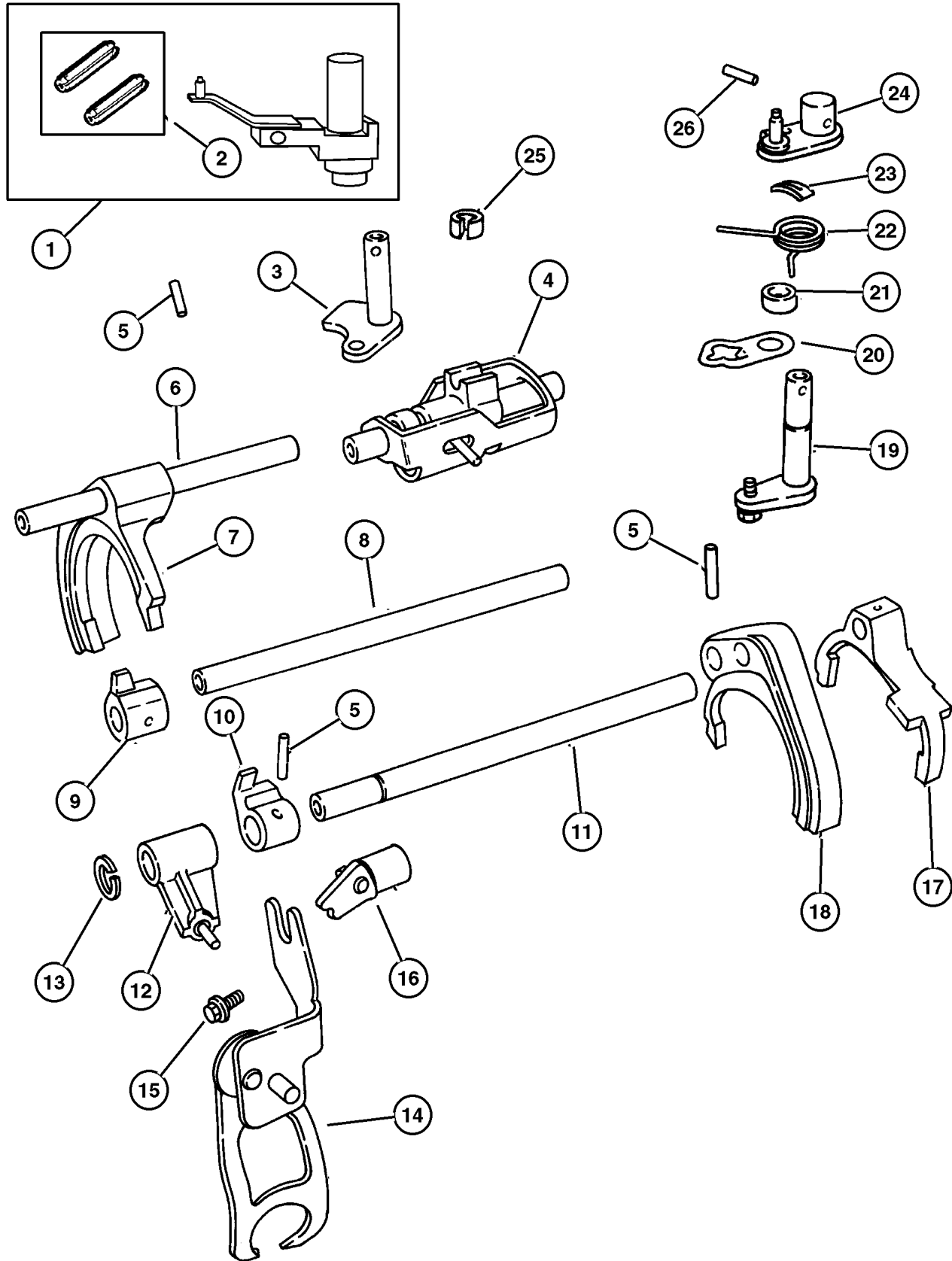
DODGE - CHRYSLER NEON (PL)

SERIES	LINE	BODY	ENGINE	TRANSMISSION
L=Low Line	Z= Chrysler, RHD	41 = 4 Door,	ECB = 2.0L 4 Cyl. , 16V SMPI	DD5 = 5 Speed Manual
H=High Line	D= Dodge	104WB	ECH = 2.0L 4 Cyl, 16V SOHC	DGL = 4 Speed Automatic
S = Special	C= Chrysler		EJD, EJO = 1.6L 4 Cyl 16v, SOHC	DG0 = All Automatics
P = Premium				DBB = All 5 Speed Manual
X = R/T				

AR = Use as required - = Non illustrated part # = New this model year

April 9, 2002

**Fork and Rail Assemblies [DD5]
Figure A578-910**



ITEM	PART NUMBER	QTY	LINE	SERIES	ENGINE	TRANS	DESCRIPTION
NOTE: n key.							
Sales Codes: n key.							
[DD5]=5 Speed Manual Transmission n key.							
[ECB]=2.0L SOHC 16V 4 Cylinder Engine n key.							
[ECH]=2.0L SOHC 16V High Performance 4 Cylinder Engine n key.							
[EJD]=1.6L SOHC 16V 4 Cylinder Engine n key.							
1							LEVER PACKAGE, Gearshift
	5014 465AA	1			EJD	DD5	
		1			ECB	DD5	
		1			ECH	DD5	
2							PIN, Shift Shaft
	4762 603	1			EJD	DD5	
		1			ECB	DD5	
		1			ECH	DD5	
3							SHAFT, Detent
	4773 411	1			EJD	DD5	
		1			ECB	DD5	
		1			ECH	DD5	
4							BLOCKER, Shift
	4761 146	1			EJD	DD5	
		1			ECB	DD5	
		1			ECH	DD5	
5							PIN
	6101 475	AR			EJD	DD5	
		1			ECB	DD5	
		1			ECH	DD5	
6							RAIL, First and Second Shift
	4761 176	1			EJD	DD5	
		1			ECB	DD5	
		1			ECH	DD5	
7							FORK, Transmission
	4796 649	1			EJD	DD5	
		1			ECB	DD5	
		1			ECH	DD5	
8							RAIL, Third and Fourth Shift
	5014 862AA	1			EJD	DD5	
		1			ECB	DD5	
		1			ECH	DD5	
9							LUG, Third and Fourth Shift
	4761 179	1			EJD	DD5	
		1			ECB	DD5	

DODGE - CHRYSLER NEON (PL)

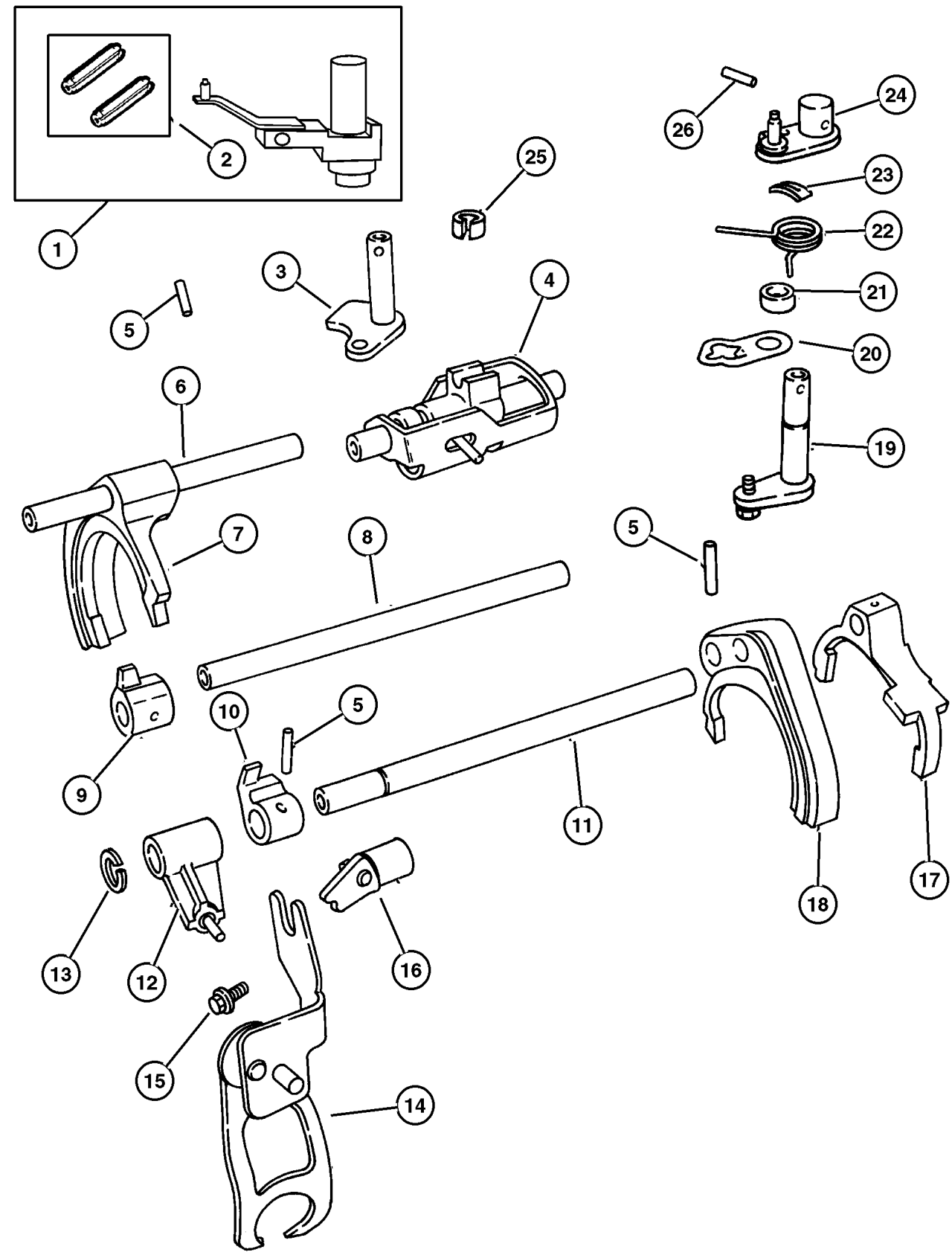
SERIES	LINE	BODY	ENGINE	TRANSMISSION
L=Low Line	Z= Chrysler, RHD	41 = 4 Door,	ECB = 2.0L 4 Cyl. , 16V SMPI	DD5 = 5 Speed Manual
H=High Line	D= Dodge	104WB	ECH = 2.0L 4 Cyl, 16V SOHC	DGL = 4 Speed Automatic
S = Special	C= Chrysler		EJD, EJO = 1.6L 4 Cyl 16v, SOHC	DG0 = All Automatics
P = Premium				DBB = All 5 Speed Manual
X = R/T				

AR = Use as required - = Non illustrated part # = New this model year

April 9, 2002

**Fork and Rail Assemblies [DD5]
Figure A578-910**

ITEM	PART NUMBER	QTY	LINE	SERIES	ENGINE	TRANS	DESCRIPTION
		1			ECH	DD5	
10	4761 181	1			EJD	DD5	LUG, Fifth and Reverse
		1			ECB	DD5	
		1			ECH	DD5	
11	4761 180	1			EJD	DD5	RAIL, Fifth and Reverse Shift
		1			ECB	DD5	
		1			ECH	DD5	
12	4761 182	1			EJD	DD5	ARM, Reverse Lever
		1			ECB	DD5	
		1			ECH	DD5	
13	6501 862	1			EJD	DD5	SNAP RING
		1			ECB	DD5	
		1			ECH	DD5	
14	4761 152	1			EJD	DD5	BRACKET, Reverse Shift Rod
		1			ECB	DD5	
		1			ECH	DD5	
15	4761 153	2			EJD	DD5	SCREW, Reverse Bracket
		2			ECB	DD5	
		2			ECH	DD5	
16	4761 154	1			EJD	DD5	CAM, Reverse Block
		1			ECB	DD5	
		1			ECH	DD5	
17	4874 137	1			EJD	DD5	FORK, Transmission
		1			ECB	DD5	
		1			ECH	DD5	
18	4796 649	1			EJD	DD5	FORK, Transmission
		1			ECB	DD5	
		1			ECH	DD5	
19	4761 147	1			EJD	DD5	LEVER, Crossover
		1			ECB	DD5	
		1			ECH	DD5	
20							PLATE, Crossover Stop



DODGE - CHRYSLER NEON (PL)

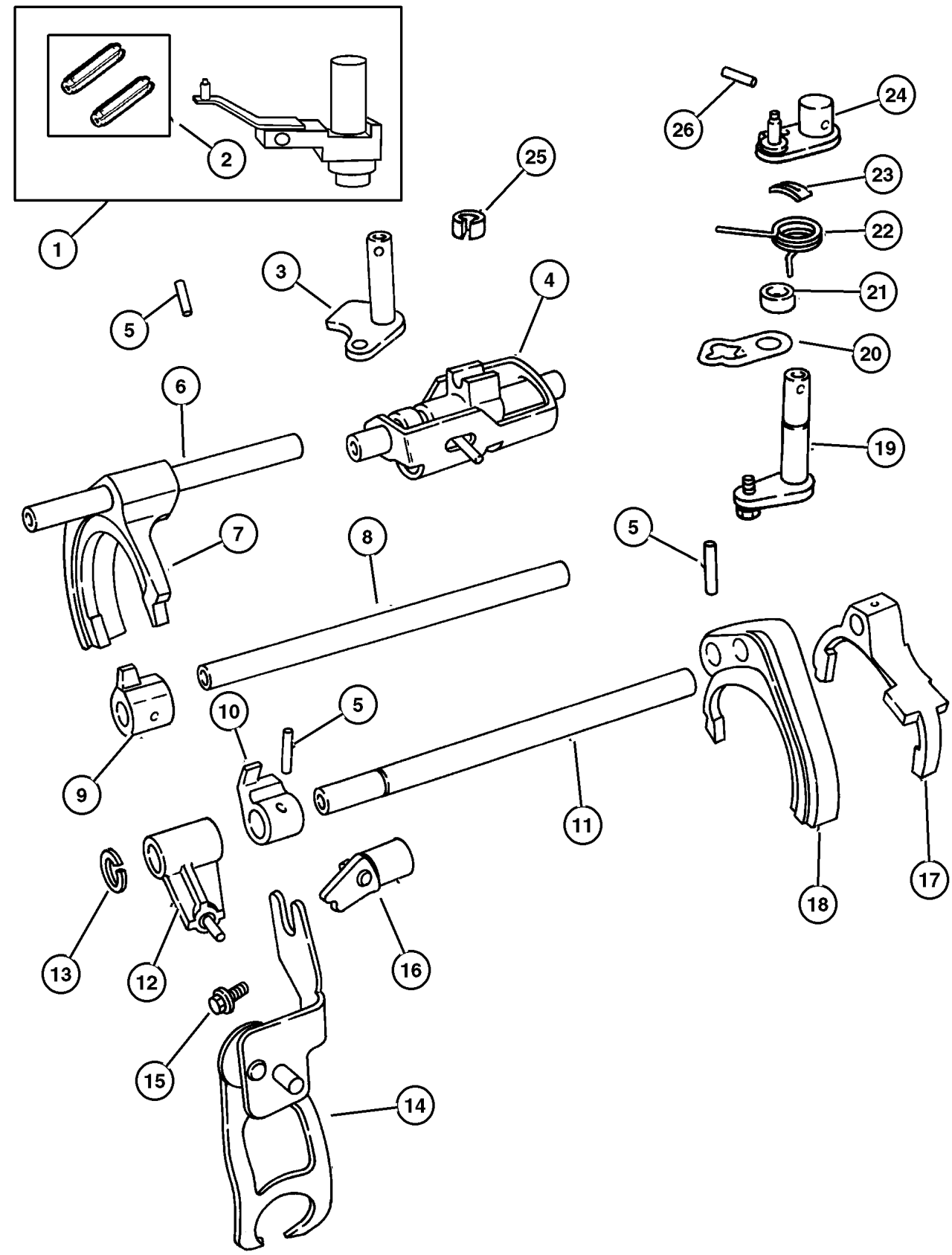
SERIES	LINE	BODY	ENGINE	TRANSMISSION
L=Low Line	Z= Chrysler, RHD	41 = 4 Door,	ECB = 2.0L 4 Cyl. , 16V SMPI	DD5 = 5 Speed Manual
H=High Line	D= Dodge	104WB	ECH = 2.0L 4 Cyl, 16V SOHC	DGL = 4 Speed Automatic
S = Special	C= Chrysler		EJD, EJ0 = 1.6L 4 Cyl 16v, SOHC	DG0 = All Automatics
P = Premium				DBB = All 5 Speed Manual
X = R/T				

AR = Use as required - = Non illustrated part # = New this model year

April 9, 2002

Fork and Rail Assemblies [DD5]
Figure A578-910

ITEM	PART NUMBER	QTY	LINE	SERIES	ENGINE	TRANS	DESCRIPTION
	4761 148	1			EJD	DD5	
		1			ECB	DD5	
21		1			ECH	DD5	SPACER, Inner Crossover Lever
	4761 151	1			EJD	DD5	
		1			ECB	DD5	
22		1			ECH	DD5	SPRING, Crossover Lever
	4761 149	1			EJD	DD5	
		1			ECB	DD5	
23		1			ECH	DD5	RETAINER, Spring
	4761 150	1			EJD	DD5	
		1			ECB	DD5	
24		1			ECH	DD5	LEVER, Crossover
	4761 147	1			EJD	DD5	
		1			ECB	DD5	
		1			ECH	DD5	
25		1			EJD	DD5	CLIP, Detent Shaft
	4761 158	1			EJD	DD5	
		1			ECB	DD5	
		1			ECH	DD5	
26		1			EJD	DD5	PIN, Shift Shaft
	4762 603	1			EJD	DD5	
		1			ECB	DD5	
		1			ECH	DD5	

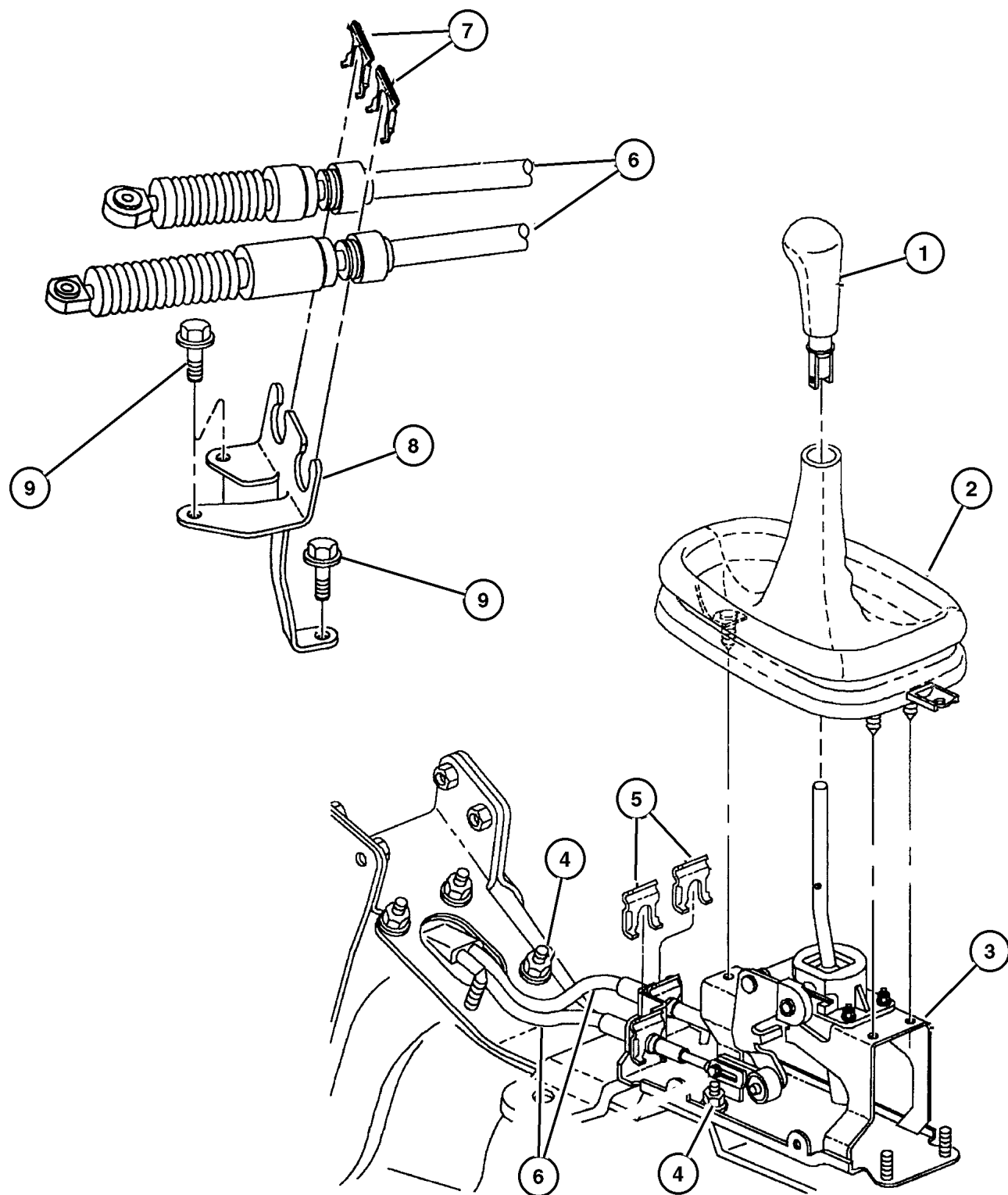


DODGE - CHRYSLER NEON (PL)
 SERIES LINE BODY ENGINE TRANSMISSION
 L=Low Line Z= Chrysler, RHD 41 = 4 Door, ECB = 2.0L 4 Cyl. , 16V SMPI DD5 = 5 Speed Manual
 H=High Line D= Dodge 104WB ECH = 2.0L 4 Cyl, 16V SOHC DGL = 4 Speed Automatic
 S = Special C= Chrysler EJD, EJ0 = 1.6L 4 Cyl 16v, SOHC DG0 = All Automatics
 P = Premium DBB = All 5 Speed Manual
 X = R/T

AR = Use as required - = Non illustrated part # = New this model year

April 9, 2002

**Gearshift Controls [DD5]
Figure A578-1210**



ITEM	PART NUMBER	QTY	LINE	SERIES	ENGINE	TRANS	DESCRIPTION
Note: Sales Codes n key.							
[DD5] = 5 Speed Manual Transmissions n key.							
1							KNOB, Gearshift
	4668 267	1				DD5	Vinyl
	4668 269	1				DD5	Leather
2	4668 260AB	1				DD5	BOOT, Gearshift
3	4668 261AC	1				DD5	SHIFTER, Transmission
4	6100 048	1					NUT, Hex, M6x1.00
5	6501 326	2				DD5	CLIP, Moulding
6	4668 268	1				DD5	CABLE, Gearshift Control
7	4269 830	2				DD5	CLIP, Cable
8	4668 315AB	1				DD5	BRACKET, Transmission Control Cable
9	6101 611	3				DD5	SCREW AND WASHER, Hex Head, M8x1.25x25

DODGE - CHRYSLER NEON (PL)

SERIES	LINE	BODY	ENGINE	TRANSMISSION
L=Low Line	Z= Chrysler, RHD	41 = 4 Door,	ECB = 2.0L 4 Cyl. , 16V SMPI	DD5 = 5 Speed Manual
H=High Line	D= Dodge	104WB	ECH = 2.0L 4 Cyl, 16V SOHC	DGL = 4 Speed Automatic
S = Special	C= Chrysler		EJD, EJ0 = 1.6L 4 Cyl 16v, SOHC	DG0 = All Automatics
P = Premium				DBB = All 5 Speed Manual
X = R/T				

AR = Use as required - = Non illustrated part # = New this model year

April 9, 2002

Group – 21P

Speedometer Pinions

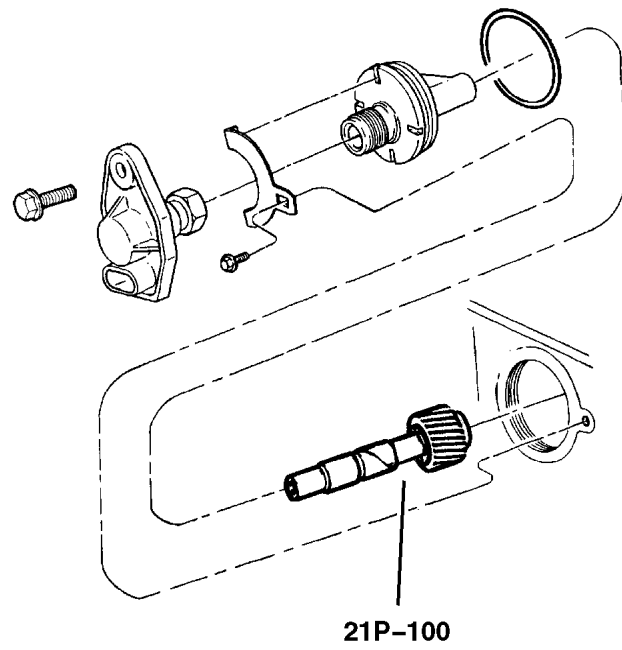
GROUP 21P - Speedometer Pinions

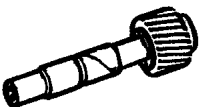
Illustration Title

Group-Fig. No.

Speedometer Pinions

Pinion, Speedometer [DD5] Fig. 21P-101



<p>21P-100 Speedometer Pinions</p> 			
---	--	--	--

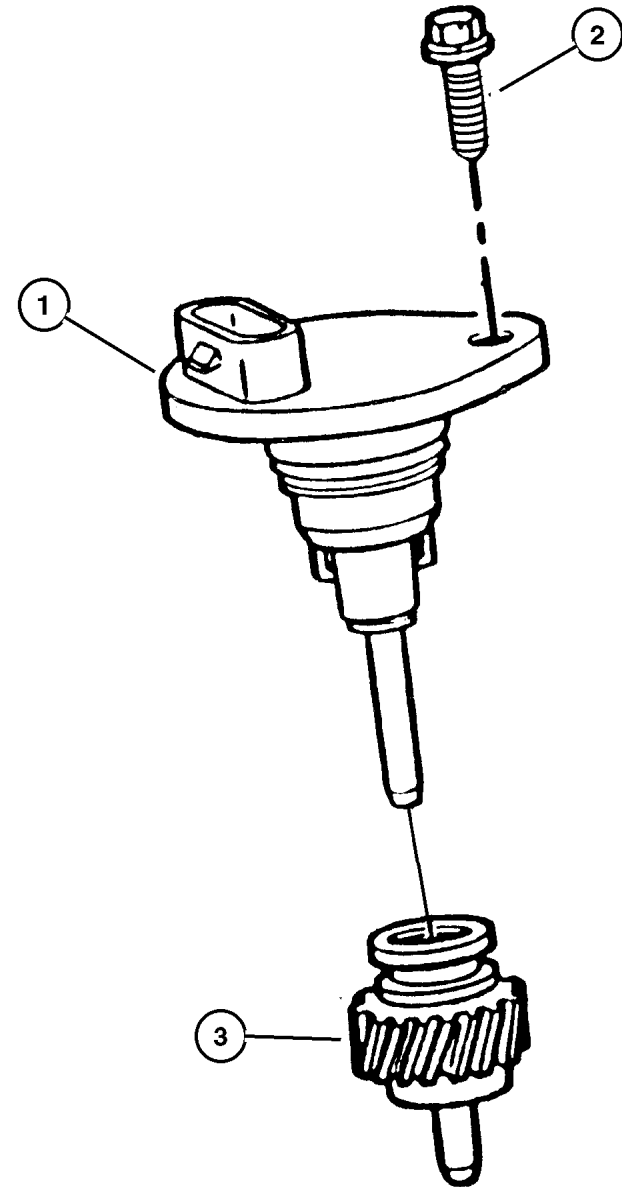
**Pinion, Speedometer [DD5]
Figure 21P-101**

ITEM	PART NUMBER	QTY	LINE	SERIES	ENGINE	TRANS	DESCRIPTION
------	-------------	-----	------	--------	--------	-------	-------------

Note: Sales Codes n key.

[DD5] = 5 Speed Manual Transmissions n key.

1	4707 839AA	1				DD5	SENSOR, Vehicle Speed
2	6501 714	1				DD5	SCREW AND WASHER, Hex Head, M6x1x18
3	4593 107AB	1				DD5	PINION, Speedometer Drive, Blue
-4	4641 215AB	1				DD5	PINION, Speedometer Drive, Natural



DODGE - CHRYSLER NEON (PL)

SERIES	LINE	BODY	ENGINE	TRANSMISSION
L=Low Line	Z= Chrysler, RHD	41 = 4 Door,	ECB = 2.0L 4 Cyl. , 16V SMPI	DD5 = 5 Speed Manual
H=High Line	D= Dodge	104WB	ECH = 2.0L 4 Cyl, 16V SOHC	DGL = 4 Speed Automatic
S = Special	C= Chrysler		EJD, EJ0 = 1.6L 4 Cyl 16v, SOHC	DG0 = All Automatics
P = Premium				DBB = All 5 Speed Manual
X = R/T				

AR = Use as required - = Non illustrated part # = New this model year

April 9, 2002

Group – 022

Wheels, Covers and Jacks

GROUP 22 - Wheels, Covers and Jacks

Illustration Title

Group-Fig. No.

Wheels and Hardware

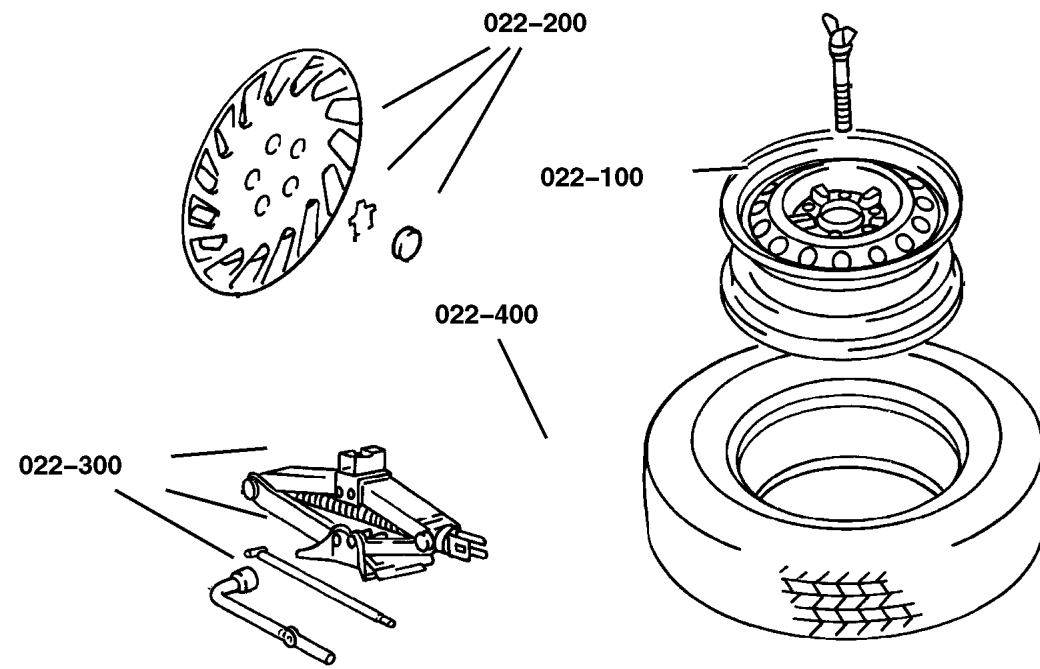
Wheels and Hardware Fig. 022-101


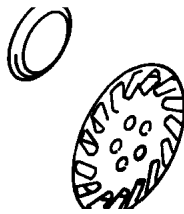
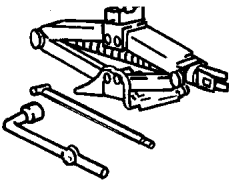
Wheel Covers and Center Caps

Caps and Covers, Wheel Fig. 022-201

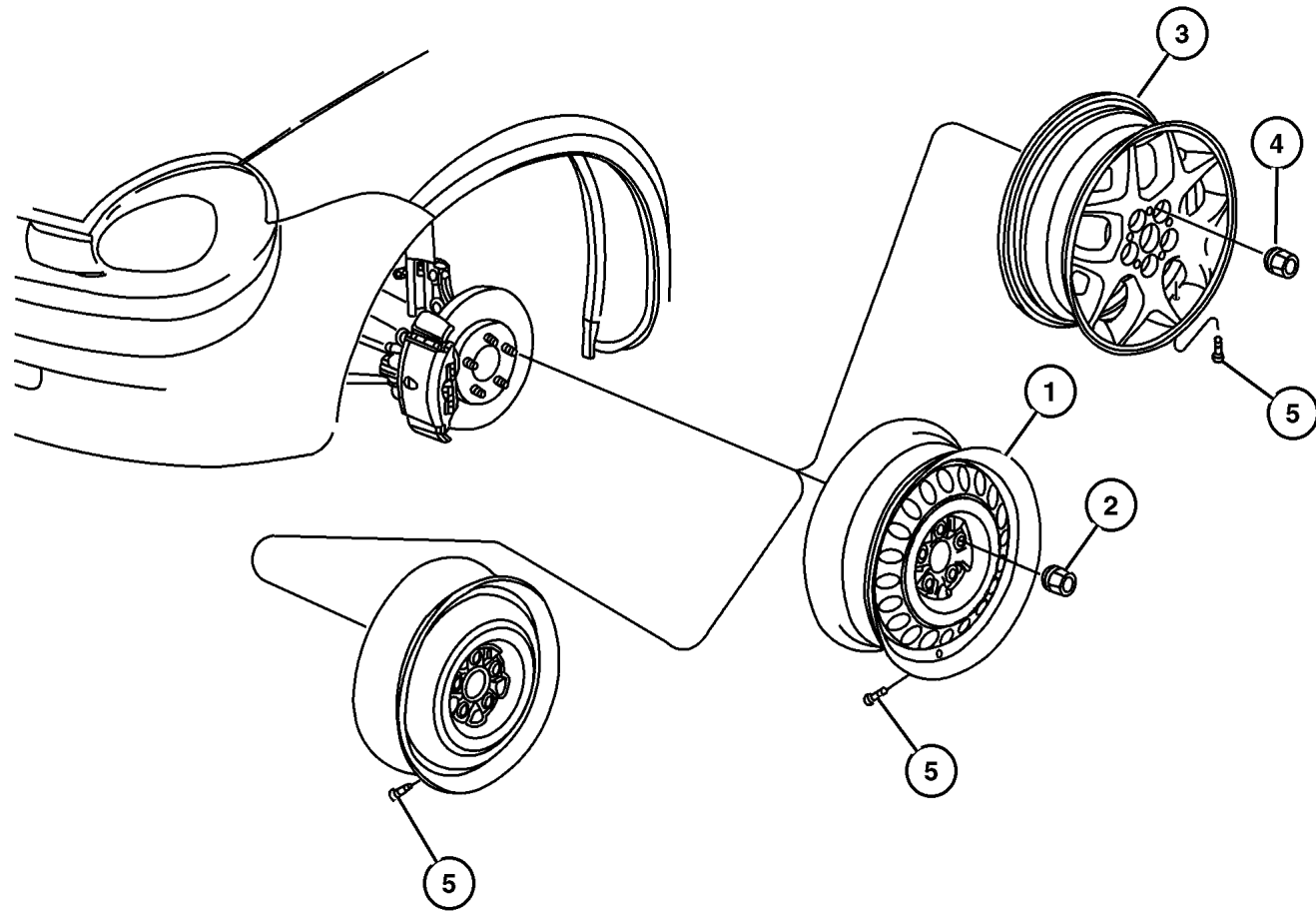
Jack Stowage

Jack and Spare Tire Stowage Fig. 022-301



<p>022-100 Wheels and Hardware</p> 	<p>022-200 Wheel Covers and Center Caps</p> 	<p>022-300 Jack Stowage</p> 	
---	--	---	--

Wheels and Hardware
Figure 022-101



ITEM	PART NUMBER	QTY	LINE	SERIES	BODY	DESCRIPTION
------	-------------	-----	------	--------	------	-------------

NOTE: Sales Codes: n key.

[WBB] = WHEELS - 14 X 5.5 BLACK n key.

[WCF] = WHEELS - 15 X 6.0 BLACK n key.

[WJA] = WHEELS - 15 ALUMINUM n key.

[WJB] = WHEELS - 15 ALUMINUM n key.

[WKK] = WHEELS - 15 ALUMINUM, CHROME n key.

[WNS] = WHEELS - 16 ALUMINUM n key.

1						WHEEL, Steel
	4656 322	4				15 X 6.0, Black, [WCF]
	4684 697AB	4				14 X 5.5, Black, [WBB]
2	6504 266	20				NUT, Wheel, Wheel Covers
3						WHEEL, Aluminum
	QG91 TAE	4				[WJA]
	#UN76 PAKAA	4				[WJB]
	#5272 685AA	4				[WKK]
	SS73 PAKAA	4				[WNS]
4	6502 738	20				NUT, Wheel Chrome, M12x1.5
5						STEM, Wheel Valve
	2073 355	1				
	2401 840	1				Wheel Covers

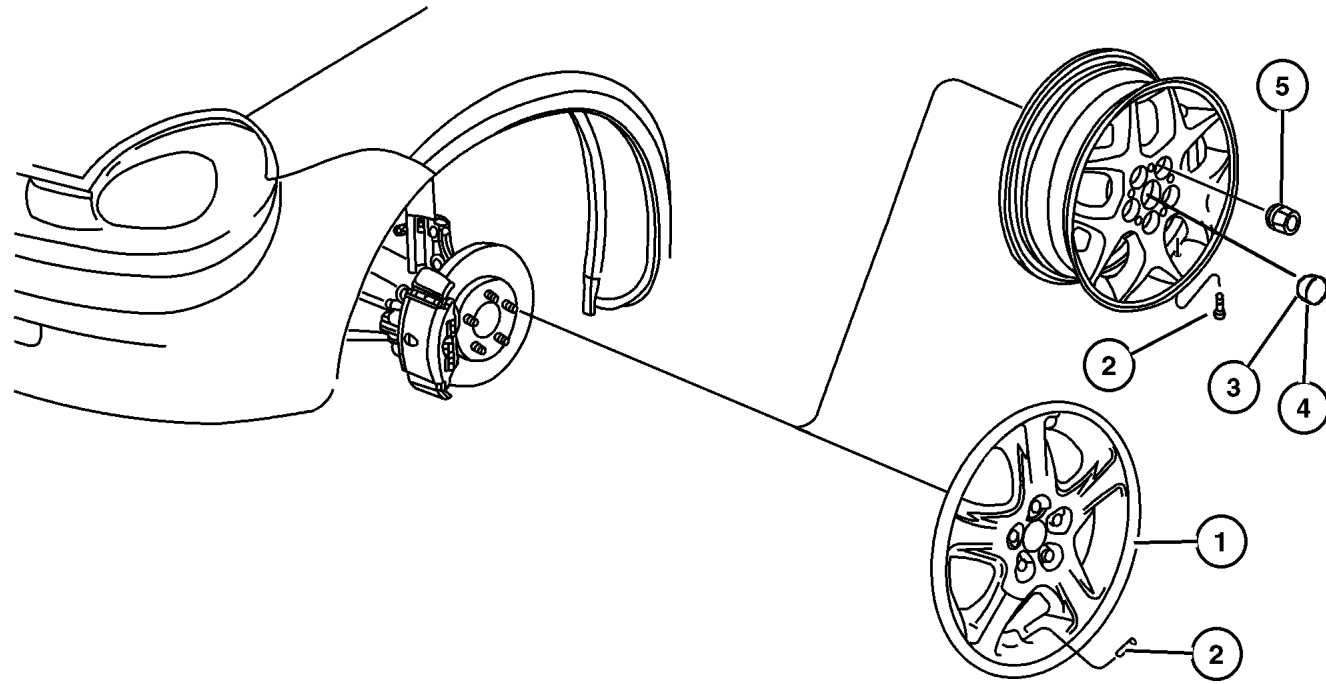
DODGE - CHRYSLER NEON (PL)

SERIES	LINE	BODY	ENGINE	TRANSMISSION
L=Low Line	Z= Chrysler, RHD	41 = 4 Door,	ECB = 2.0L 4 Cyl. , 16V SMPI	DD5 = 5 Speed Manual
H=High Line	D= Dodge	104WB	ECH = 2.0L 4 Cyl, 16V SOHC	DGL = 4 Speed Automatic
S = Special	C= Chrysler		EJD, EJO = 1.6L 4 Cyl 16v, SOHC	DG0 = All Automatics
P = Premium				DBB = All 5 Speed Manual
X = R/T				

AR = Use as required - = Non illustrated part # = New this model year

April 9, 2002

**Caps and Covers, Wheel
Figure 022-201**



ITEM	PART NUMBER	QTY	LINE	SERIES	BODY	DESCRIPTION
NOTE: Sales Codes: n key.						
[WJA] = WHEELS - 15 ALUMINUM n key.						
[WJB] = WHEELS - 15 ALUMINUM n key.						
[WNS] = WHEELS - 16 ALUMINUM n key.						
[WKK] = WHEELS - 15 ALUMINUM, CHROME n key.						
[W4U] = WHEEL COVERS - 14 n key.						
[W5J] = WHEEL COVERS - 15 n key.						
1						COVER, Wheel
	4656 191AB	4				[W4U]
	4656 328AB	4				[W5J]
2						STEM, Wheel Valve
	2073 355	5				
	2401 840	1				Extensions
3						CAP, Wheel Center
	4284 004	4				[WJA]
	4656 675AA	4				[WKK]
	#5272 681AA	4				[WJB]
	5018 982AA	1	D, P	H	41	EXPORT
4	SE30 PAKAA	4				CAP, Wheel Center, Machine Finish Aluminum, [WNS]
5	6504 266	20				NUT, Wheel, [W4U, W5J]

DODGE - CHRYSLER NEON (PL)				
SERIES	LINE	BODY	ENGINE	TRANSMISSION
L=Low Line	Z= Chrysler, RHD	41 = 4 Door,	ECB = 2.0L 4 Cyl. , 16V SMPI	DD5 = 5 Speed Manual
H=High Line	D= Dodge	104WB	ECH = 2.0L 4 Cyl, 16V SOHC	DGL = 4 Speed Automatic
S = Special	C= Chrysler		EJD, EJO = 1.6L 4 Cyl 16v, SOHC	DG0 = All Automatics
P = Premium				DBB = All 5 Speed Manual
X = R/T				

AR = Use as required - = Non illustrated part # = New this model year

April 9, 2002

Jack and Spare Tire Storage
Figure 022-301

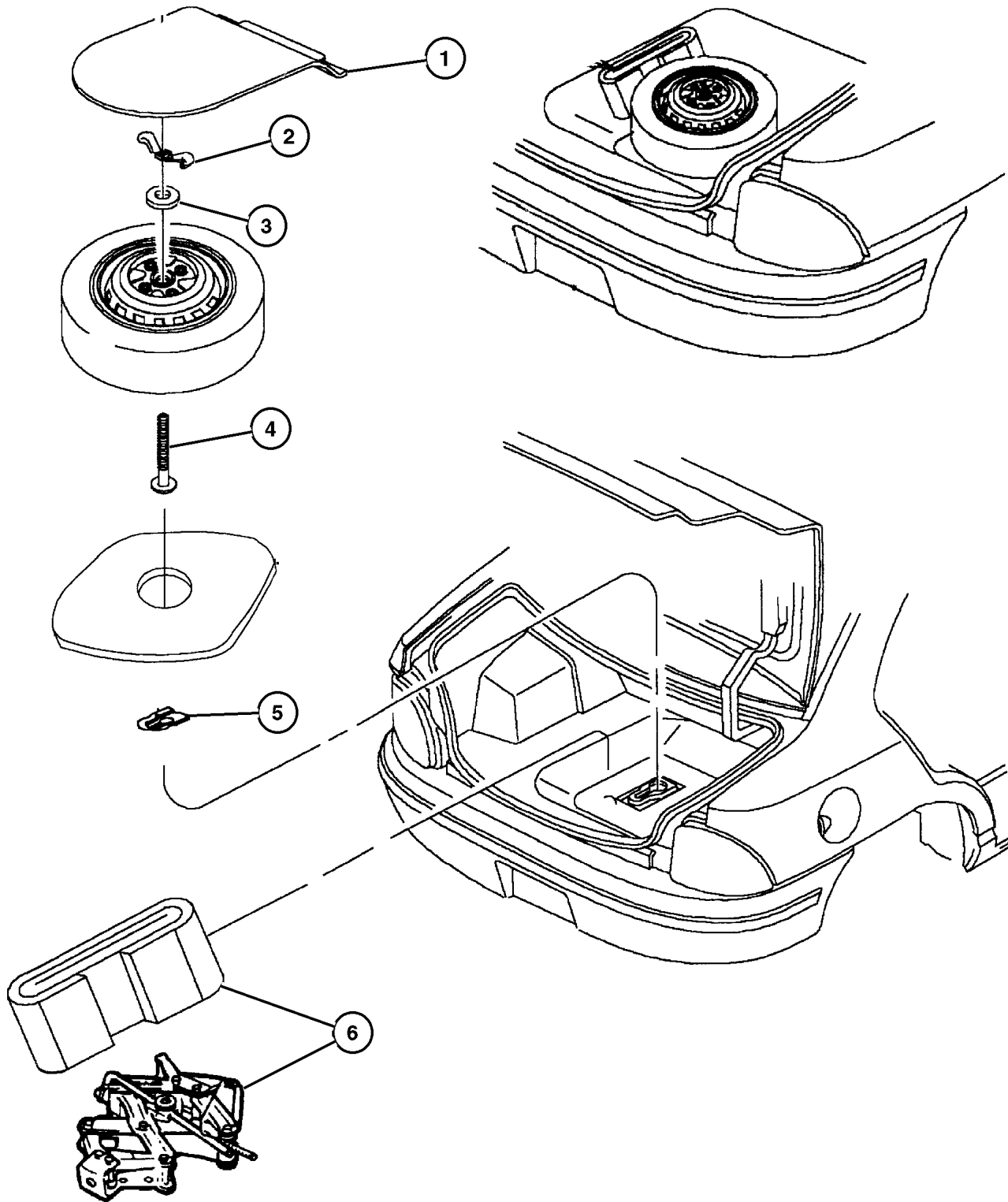
ITEM	PART NUMBER	QTY	LINE	SERIES	BODY	DESCRIPTION
1	QR84 VXLAC	1				COVER, Spare Tire
2	6505 589AA	1				NUT, Wing
3	4371 895	1				PLATE, Spare Tire Cover
4	6506 206AA	1				BOLT, Square Neck, M10x1.50
5	4888 547AB	1				BRACKET, Spare Tire
6	5008 275AA	1				JACK
-7	5008 276AA	1				HANDLE, Jack
-8	5256 549	1				BAG, Jack Tool Storage
-9	4783 862	2				STRAP, Jack Storage
-10						LABEL, Tire Pressure
	4656 589AD	1				EUROPE, 185/60R15 84H BSW AS PERF. , 185/65R14 86H BSW AS PERF.
	4656 590AB	1				Bi-Lingual, P185/65R14 BSW AS TOURING, P185/60R15 BSW AS TOURING
	4656 591AD	1				Australia, 185/65R14 86H BSW AS PERF., 185/60R15 84H BSW AS PERF.
	4656 592AA	1				P185/65R14 BSW AS TOURING, P185/60R15 BSW AS TOURING
	4656 593AB	1				185/60R15 84H BSW AS PERF.
	4656 995AA	1				P195/50ZR16 83W BSW PERF.
	4656 997AA	1				P195/50R16 83V BSW ASP
-11	4103 504	1				LABEL, Jack Caution
-12						LABEL, Jack Instructions
	4783 035AC	1				
	4888 576AB	1	Z			Australia

DODGE - CHRYSLER NEON (PL)

SERIES	LINE	BODY	ENGINE	TRANSMISSION
L=Low Line	Z= Chrysler, RHD	41 = 4 Door,	ECB = 2.0L 4 Cyl. , 16V SMPI	DD5 = 5 Speed Manual
H=High Line	D= Dodge	104WB	ECH = 2.0L 4 Cyl, 16V SOHC	DGL = 4 Speed Automatic
S = Special	C= Chrysler		EJD, EJO = 1.6L 4 Cyl 16v, SOHC	DG0 = All Automatics
P = Premium				DBB = All 5 Speed Manual
X = R/T				

AR = Use as required - = Non illustrated part # = New this model year

April 9, 2002



Group – 23D

Wiper/Lock Cylinder and Keys

GROUP 23D - Wiper/Lock Cylinder and Keys

Illustration Title

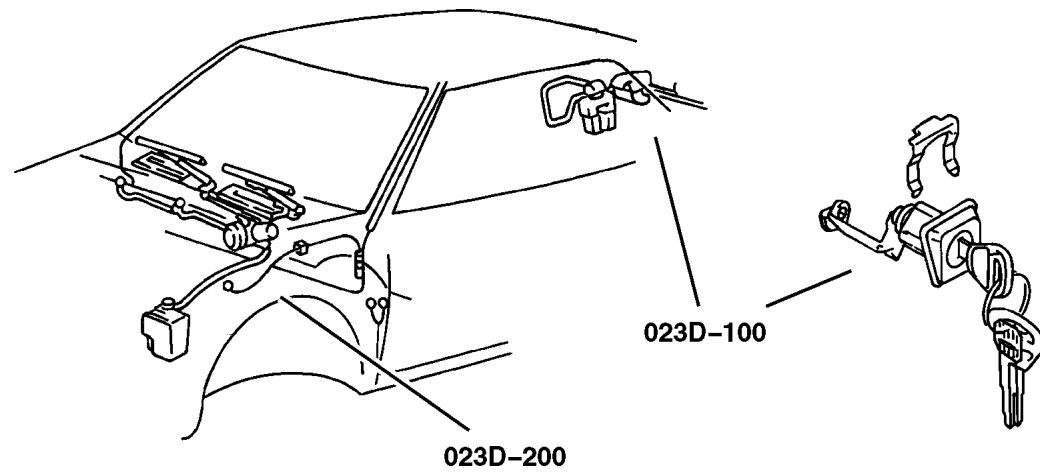
Group-Fig. No.

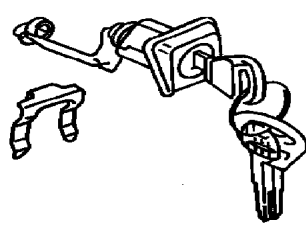
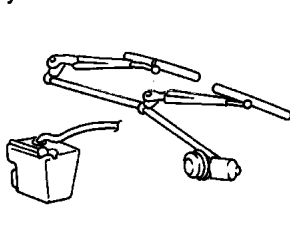
Lock Cylinders and Keys

Lock Cylinder And Keys Fig. 23D-105

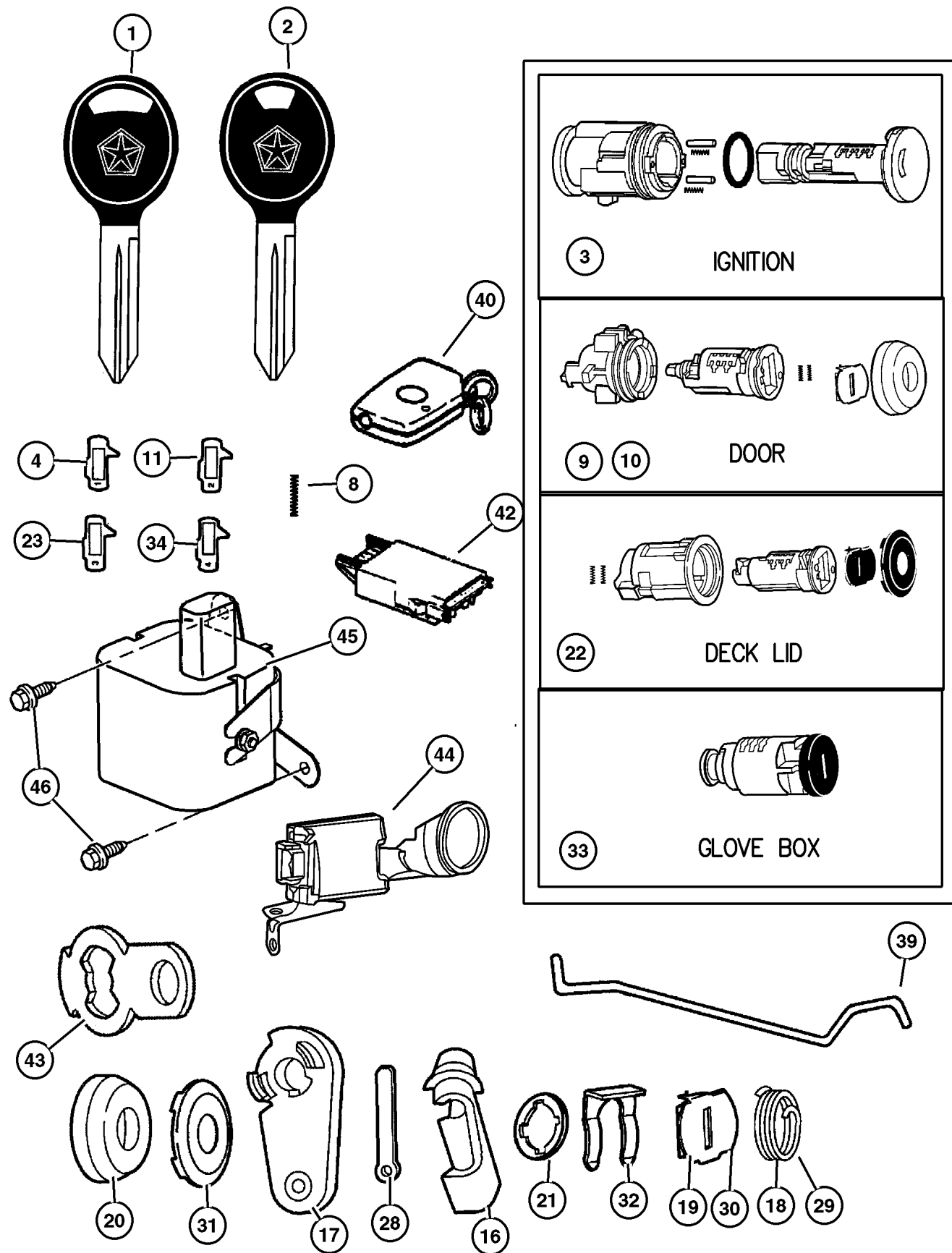
Windshield Wiper and Washer Systems

Windshield Wiper And Washer Fig. 23D-205



<p>23D-100 Lock Cylinders and Keys</p> 	<p>23D-200 Windshield Wiper and Washer Systems</p> 		
---	---	--	--

Lock Cylinder And Keys Figure 23D-105



ITEM	PART NUMBER	QTY	LINE	BODY	DESCRIPTION
1	5018 497AA	1			KEY, Blank, 84 Groove, With Neon Emblem
2	5018 496AA	1			KEY, Master, With Sentry & Neon Emblem
3	5003 843AB	1			CYLINDER, Ignition Lock
4	5010 879AA	1			TUMBLER, Ignition Number 1, Sidebar
-5	5010 880AA	1			TUMBLER, Ignition Number 2, Sidebar
-6	5010 881AA	1			TUMBLER, Ignition Number 3, Sidebar
-7	5010 882AA	1			TUMBLER, Ignition Number 4, Sidebar
8	5010 883AB	1			SPRING, Ignition Tumbler, Sidebar
9	4778 125	1			LOCK CYLINDER, With tumblers and springs
10	5011 040AA	1			CYLINDER, Door Lock
11	4778 117	1			TUMBLER, Door and Deck Number 1, Wide
-12	4778 118	1			TUMBLER, Door and Deck Number 2, Wide
-13	4778 119	1			TUMBLER, Door and Deck Number 3, Wide
-14	4778 120	1			TUMBLER, Door and Deck Number 4, Wide
-15	4778 121	1			SPRING, Door and Deck Tumbler
16					CLIP, Latch
	4658 444	1			Purple
	4658 445	1			Orange
17	4717 288	1			LEVER, Front Door Cylinder
18	4378 793	1			SPRING, Cylinder Return
19	4778 150	1			SHUTTER, Door, Deck and Liftgate, Bright
20					CAP, Door Lock Cylinder, Bright
	4778 149	1			Deck Lid
	5257 152	1			Door Lock
21	5507 4799	1			GASKET, Door Lock Cylinder, Black
22	4778 146	1			CYLINDER, Deck Lid Lock
23	4778 117	1			TUMBLER, Door and Deck Number 1, Wide
-24	4778 118	1			TUMBLER, Door and Deck Number 2, Wide
-25	4778 119	1			TUMBLER, Door and Deck Number 3, Wide
-26	4778 120	1			TUMBLER, Door and Deck Number 4, Wide
-27	4778 121	1			SPRING, Door and Deck Tumbler
28	4723 494	1			LEVER, Deck Lid Lock Cylinder
29	5257 245	1			SPRING, Deck Lid Return
30	4778 150	1			SHUTTER, Door, Deck and Liftgate, Bright
31	4778 149	1			CAP, Door Lock Cylinder, Bright
32	2583 377	1			RETAINER, Door Lock Cylinder, Deck Lid Cylinder Only
33	4746 675	1			CYLINDER, Glove Box Lock
34	5257 132	1			TUMBLER, Ignition Number 1
-35	5257 133	1			TUMBLER, Ignition Number 2
-36	5257 134	1			TUMBLER, Ignition Number 3
-37	5257 135	1			TUMBLER, Ignition Number 4
-38	4746 873	1			SPRING, Lock Cylinder Tumbler

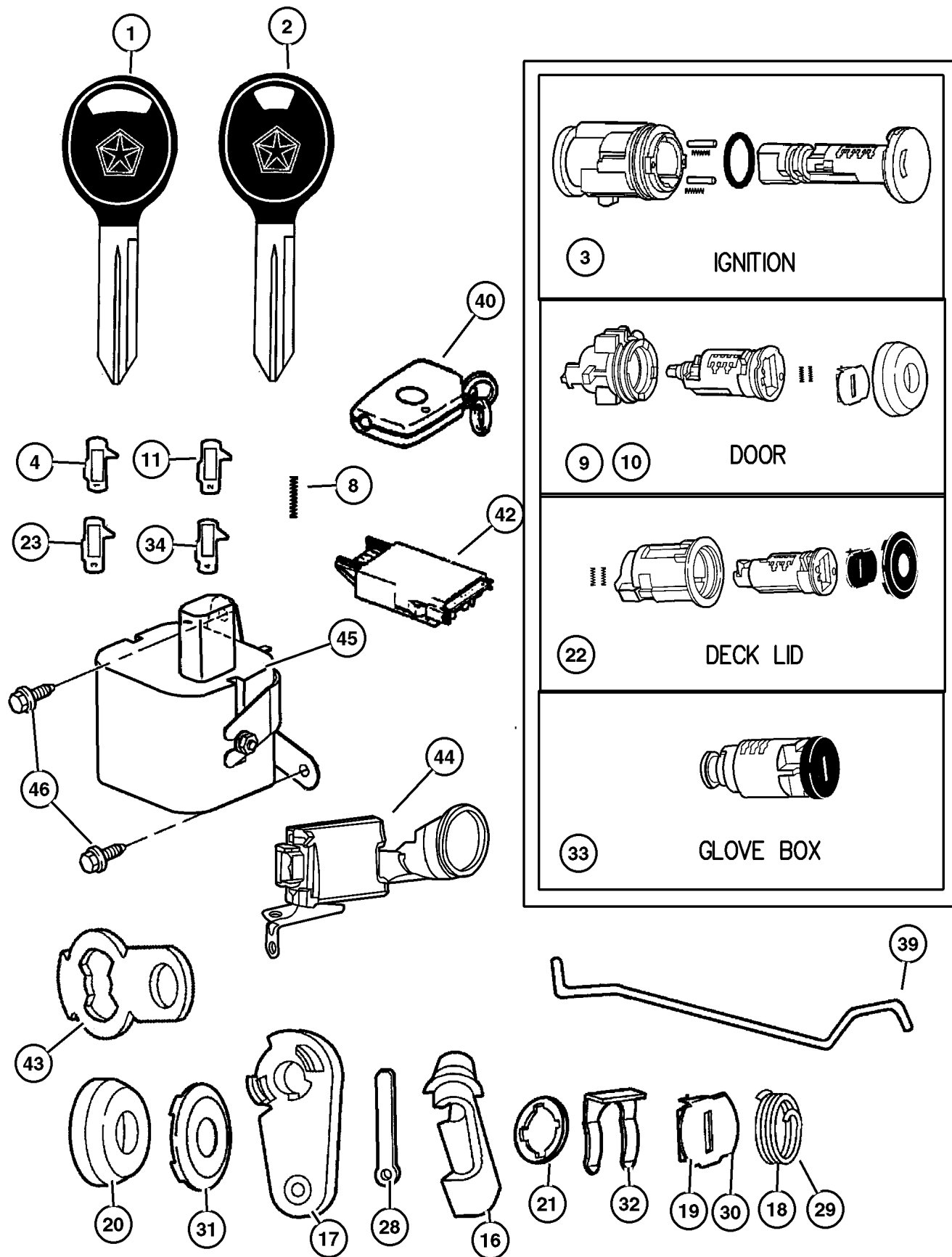
DODGE - CHRYSLER NEON (PL)

SERIES	LINE	BODY	ENGINE	TRANSMISSION
L=Low Line	Z= Chrysler, RHD	41 = 4 Door,	ECB = 2.0L 4 Cyl. , 16V SMPI	DD5 = 5 Speed Manual
H=High Line	D= Dodge	104WB	ECH = 2.0L 4 Cyl, 16V SOHC	DGL = 4 Speed Automatic
S = Special	C= Chrysler		EJD, EJ0 = 1.6L 4 Cyl 16v, SOHC	DG0 = All Automatics
P = Premium				DBB = All 5 Speed Manual
X = R/T				

AR = Use as required - = Non illustrated part # = New this model year

April 9, 2002

Lock Cylinder And Keys Figure 23D-105



ITEM	PART NUMBER	QTY	LINE	BODY	DESCRIPTION
39					LINK, Key Cylinder To Latch
	4783 570	1			Right
	4783 571	1			Left
40					TRANSMITTER, Keyless Entry
	4759 008AD	2			
	4759 011AC	2			Europe
-41					BATTERY, Transmitter
	8350 4802	2	Z		
		2			
42					RECEIVER, Keyless Entry
	5293 045AH	1			Europe
	#5293 040AK	1			
	#5293 043AJ	1			Export
43	4717 288	1			LEVER, Front Door Cylinder
44	#4671 722AD	1			MODULE, Immobilizer
45	4671 743AA	1			SIREN, Alarm, Export
46	6101 976	4			SCREW, Hex Flange Head, M6.3x1.81x16, Siren Mounting
-47	4664 232AA	1			RING, Ignition, Steering Column, Lock Cylinder Opening

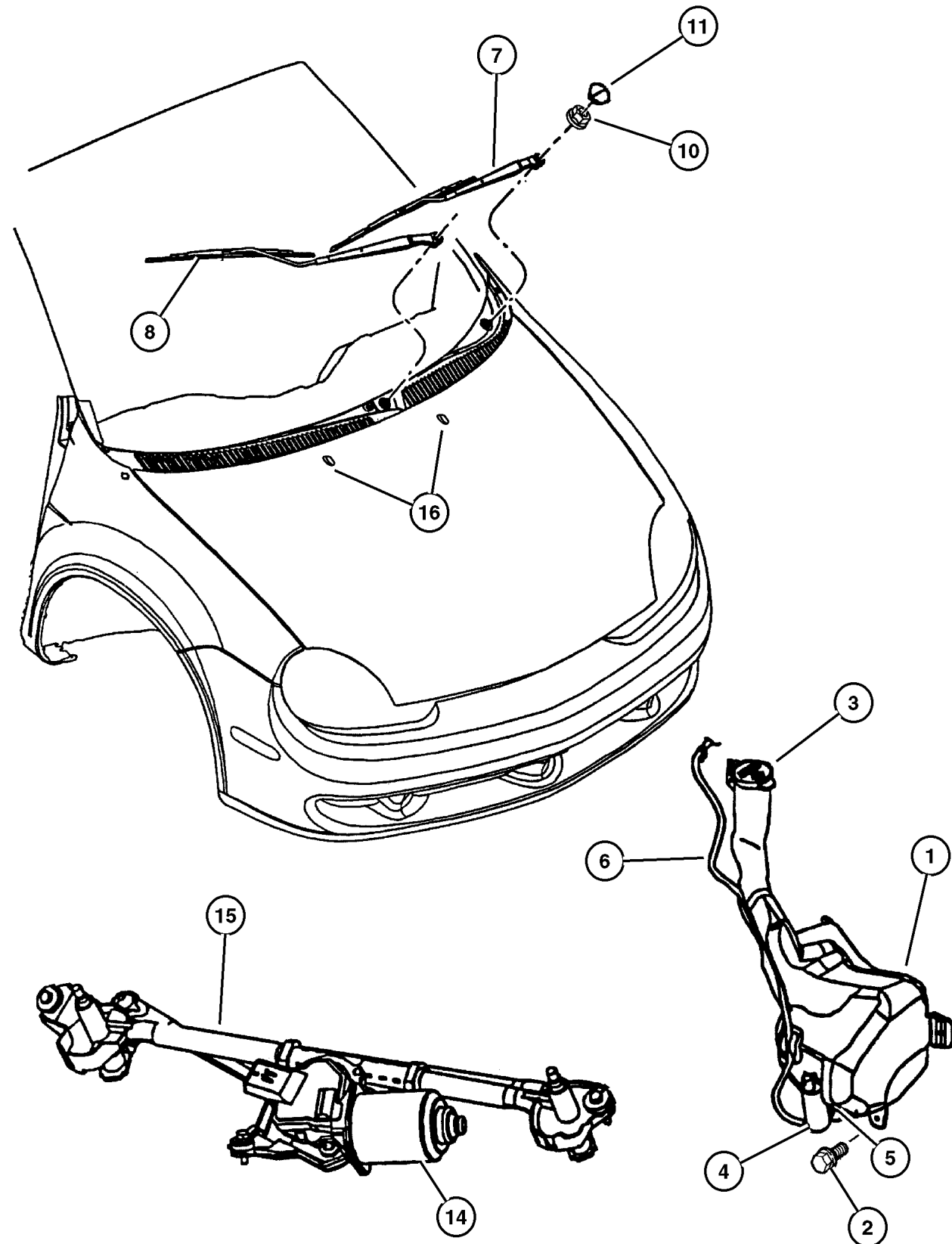
DODGE - CHRYSLER NEON (PL)

SERIES	LINE	BODY	ENGINE	TRANSMISSION
L=Low Line	Z= Chrysler, RHD	41 = 4 Door,	ECB = 2.0L 4 Cyl. , 16V SMPI	DD5 = 5 Speed Manual
H=High Line	D= Dodge	104WB	ECH = 2.0L 4 Cyl, 16V SOHC	DGL = 4 Speed Automatic
S = Special	C= Chrysler		EJD, EJO = 1.6L 4 Cyl 16v, SOHC	DG0 = All Automatics
P = Premium				DBB = All 5 Speed Manual
X = R/T				

AR = Use as required - = Non illustrated part # = New this model year

April 9, 2002

Windshield Wiper And Washer Figure 23D-205



ITEM	PART NUMBER	QTY	LINE	BODY	DESCRIPTION
1	5018 977AA	1			RESERVOIR, Washer
2					SCREW, .25-14x.75, Tapping, Hex Head, (NOT SERVICED)
3	4797 694	1			CAP, Washer Reservoir
4	55077 241AB	1			PUMP, Washer, Windshield
5	5011 809AA	1			GROMMET, Windshield Washer Pump
6	5018 127AA	1			HOSE, Windshield Washer
7					ARM, Wiper
	5014 802AB	1	Z		Right
	5014 803AB	1	Z		Left
	5014 792AB	1	C, D		Right
		1	C, D		Left
8					BLADE, Wiper
	5014 804AA	1	Z		Right
	5014 805AA	1	Z		Left
	5014 794AA	1	C, D		Right
	5014 795AA	1	C, D		Left
-9					REFILL, Wiper Blade
	5014 796AA	1	Z		Right
	5014 797AA	1	Z		Left
10	6500 165	2			NUT, Wiper Arm
11	4389 440	2			CAP, Wiper Arm Nut
-12					CONNECTOR, Washer Hose, In Line
	5018 200AA	1			
	5018 105AA	2			
-13	5018 106AA	2			CONNECTOR, Washer Hose, Elbow Type
14					MOTOR, Wiper
	5014 798AA	1	Z		
	5014 790AA	1	C, D		
15					LINKAGE, Wiper Arm
	5014 799AB	1	Z		
	5014 791AB	1	C, D		
16	5303 520AB	1			NOZZLE, Washer, Windshield
-17	HWV00 532AB	1			HOSE 1FT, Windshield Washer, 5/32"
-18	HWV00 764AB	1			HOSE 1FT, Windshield Washer, 7/64"

DODGE - CHRYSLER NEON (PL)

SERIES	LINE	BODY	ENGINE	TRANSMISSION
L=Low Line	Z= Chrysler, RHD	41 = 4 Door, 104WB	ECB = 2.0L 4 Cyl. , 16V SMPI	DD5 = 5 Speed Manual
H=High Line	D= Dodge		ECH = 2.0L 4 Cyl, 16V SOHC	DGL = 4 Speed Automatic
S = Special	C= Chrysler		EJD, EJO = 1.6L 4 Cyl 16v, SOHC	DG0 = All Automatics
P = Premium				DBB = All 5 Speed Manual
X = R/T				

AR = Use as required - = Non illustrated part # = New this model year

April 9, 2002

Group – 024

Air Conditioning & Heater

GROUP 24 - Air Conditioning & Heater

Illustration Title

Group-Fig. No.

Air Conditioner and Heater Units

Heater Unit Left-Hand Drive	Fig. 024-103
Heater Unit Right-Hand Drive	Fig. 024-105
Air Conditioning Unit Left-Hand Drive	Fig. 024-115
Air Conditioning and Heater Unit Right-Hand Drive	Fig. 024-120

Air Conditioner and Heater Plumbing

Plumbing, Heater	Fig. 024-202
Plumbing, Air Conditioning Left Hand Drive	Fig. 024-204
Plumbing, Air Conditioning Right Hand Drive	Fig. 024-210

Air Conditioner and Heater Controls

Controls, Air Conditioning and Heater	Fig. 024-302
---	--------------

Air Conditioning Compressor

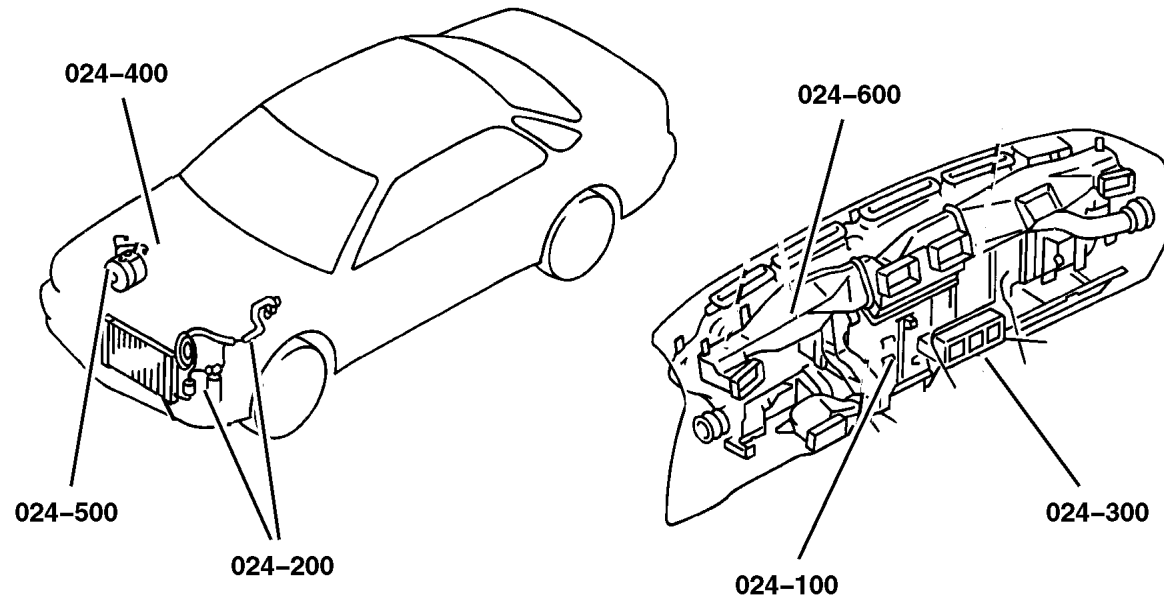
Compressor	Fig. 024-403
------------------	--------------

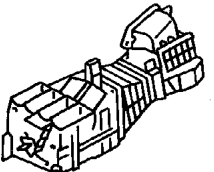
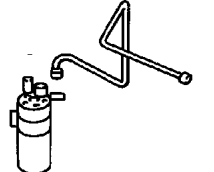
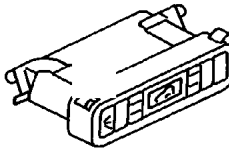
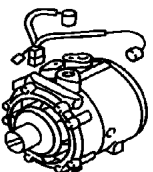
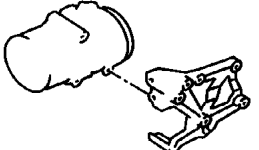
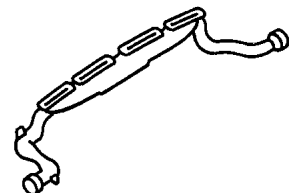
Air Conditioning Compressor Mounting

Compressor Mounting	Fig. 024-503
---------------------------	--------------

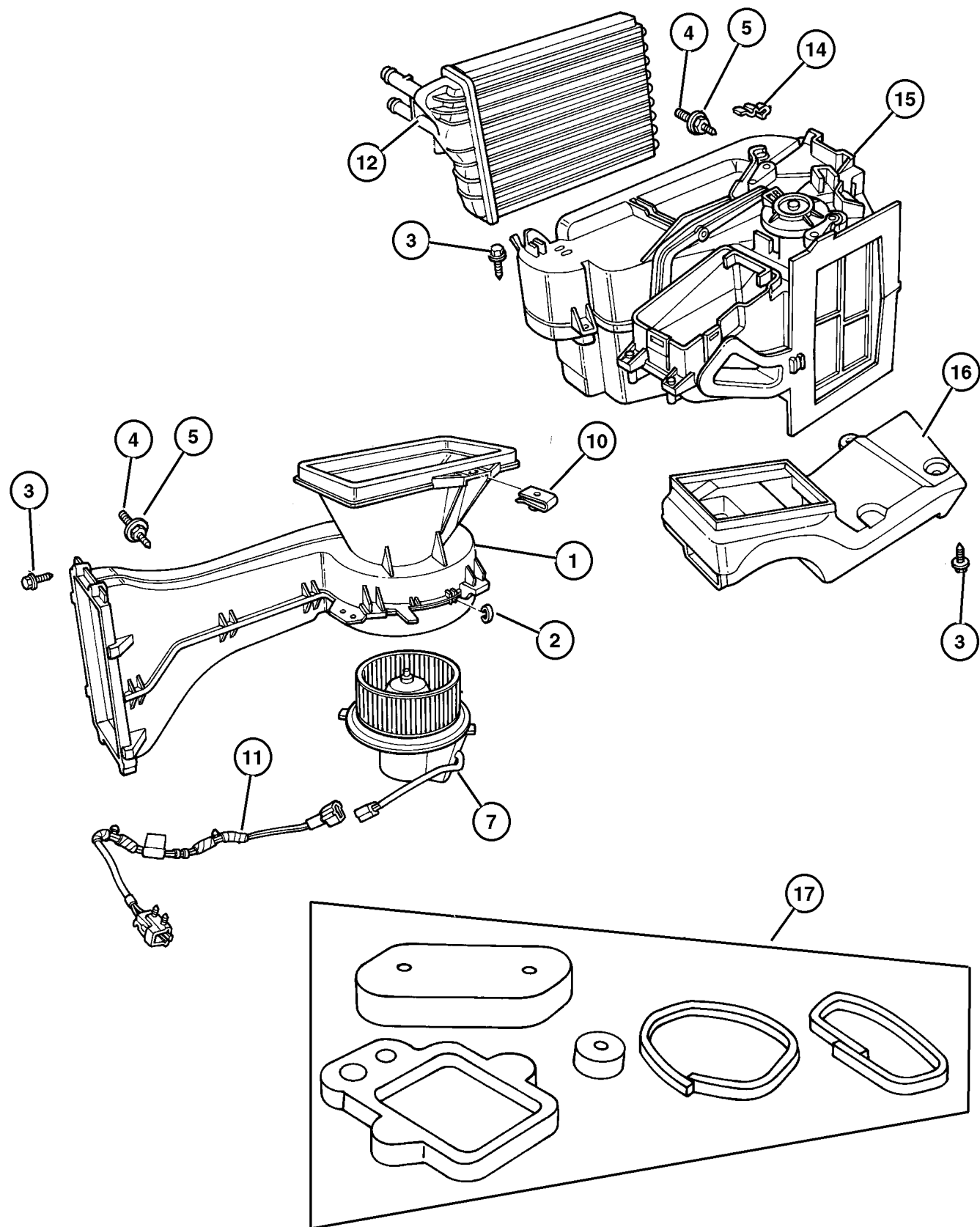
Air Ducts and Outlets

Air Distribution Ducts	Fig. 024-603
Air Distribution Outlets	Fig. 024-605



024-100 Air Conditioner and Heater Units 	024-200 Air Conditioner and Heater Plumbing 	024-300 Air Conditioner and Heater Controls 	024-400 Air Conditioning Compressor 
024-500 Air Conditioning Compressor Mounting 	024-600 Air Ducts and Outlets 		

Heater Unit Left-Hand Drive Figure 024-103



ITEM	PART NUMBER	QTY	LINE	BODY	ENGINE	DESCRIPTION
1	5072 178AA	1	C, D			HOUSING, Air Inlet
2	4644 388	2	C, D			CLIP, A/C Heater Housing
3	4734 227	19	C, D			SCREW, Hex Head, M4.8-1.59x19
4	4734 392	3	C, D			STUD, A/C Heater Housing
5	6031 087	3	C, D			WASHER, A/C Unit Mounting Stud
-6	4644 525	1	C, D			LEVER, Blend Air Door
7	4885 326AA	1	C, D			MOTOR, Blower with Wheel
-8	5264 802AA	1				RESISTOR, Blower Motor
-9	4734 239	1				CAP, Blower Motor
10	6101 308	1	C, D			NUT, U, M6x1
11	#4794 840AA	1	C, D			WIRING, A/C and HEATER
12	4734 453	1	C, D			CORE, Heater
-13						SEAL, Heater Core, Serviced in Heater Core, (NOT SERVICED)
14	4644 499	2	C, D			CLIP, Air Conditioning Cable
15	5072 177AA	1	C, D			HOUSING, A/C And Heater
16	4644 500	1	C, D			DUCT, Floor Distribution
17	5015 289AB	1	C, D			SEAL KIT, A/C And Heater Unit

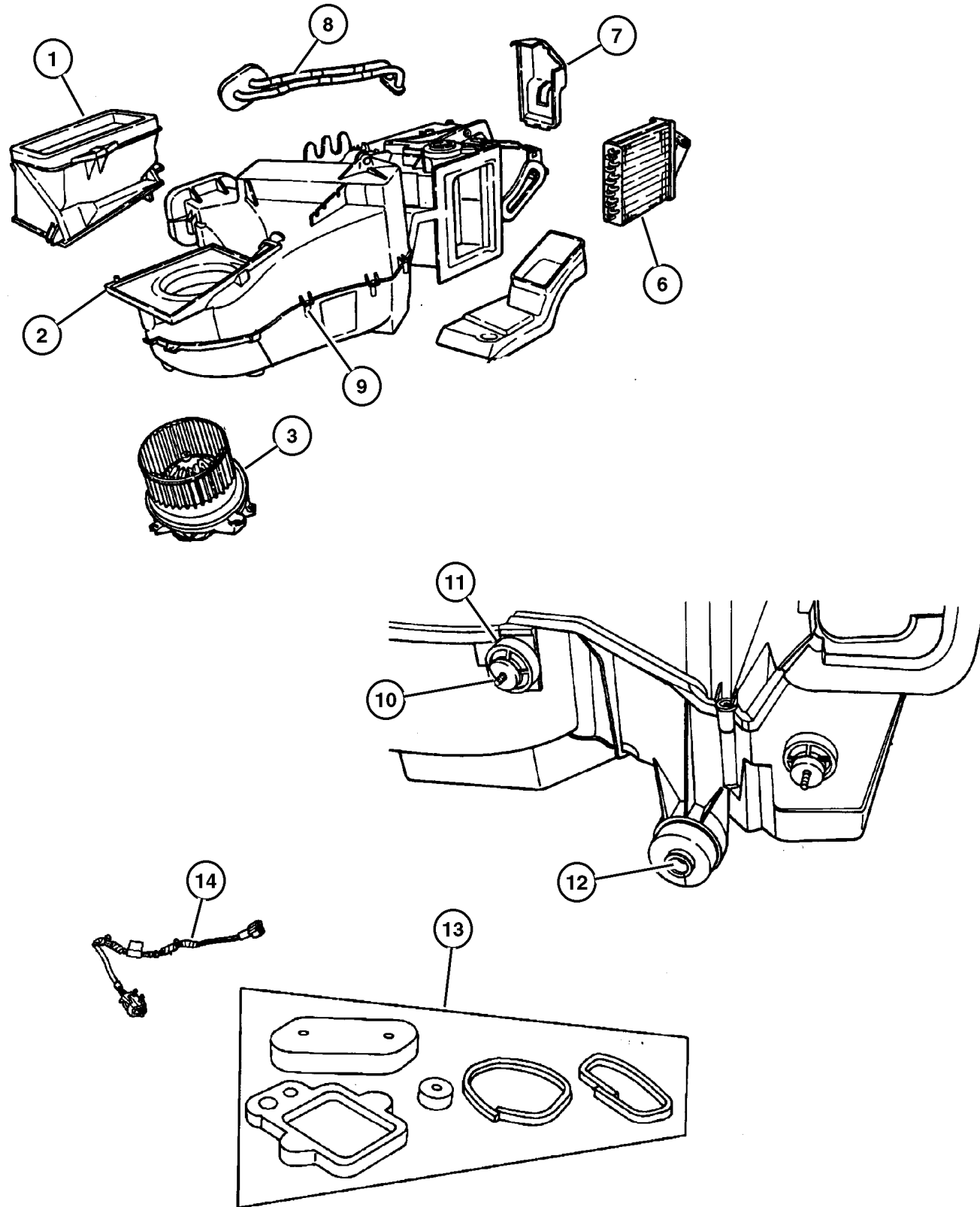
DODGE - CHRYSLER NEON (PL)

SERIES	LINE	BODY	ENGINE	TRANSMISSION
L=Low Line	Z= Chrysler, RHD	41 = 4 Door,	ECB = 2.0L 4 Cyl. , 16V SMPI	DD5 = 5 Speed Manual
H=High Line	D= Dodge	104WB	ECH = 2.0L 4 Cyl, 16V SOHC	DGL = 4 Speed Automatic
S = Special	C= Chrysler		EJD, EJ0 = 1.6L 4 Cyl 16v, SOHC	DG0 = All Automatics
P = Premium				DBB = All 5 Speed Manual
X = R/T				

AR = Use as required - = Non illustrated part # = New this model year

April 9, 2002

Heater Unit Right-Hand Drive Figure 024-105



ITEM	PART NUMBER	QTY	LINE	BODY	ENGINE	DESCRIPTION
1	5013 422AA	1	Z			HOUSING, Heater Air Inlet
2	5013 421AA	1	Z			HOUSING, A/C And Heater
3	5017 720AA	1	Z			MOTOR, Blower with Wheel
-4	5264 802AA	1	Z			RESISTOR, Blower Motor
-5	4874 185	1	Z			COVER, Blower Motor
6	4874 181	1	Z			CORE, Heater
7	4874 182	1	Z			COVER, Heater Core Tubes
8	4874 183	1	Z			TUBE, Heater Core
9	4644 388	1	Z			CLIP, A/C Heater Housing
10	4644 225	3	Z			STUD, A/C Heater Housing
11	6031 087	3	Z			WASHER, A/C Unit Mounting Stud
12	4874 186	1	Z			PLUG, A/C Evaporator Drain Tube
13	4874 187	1	Z			SEAL KIT, A/C And Heater Unit
14	4793 950AB	1	Z			WIRING, A/C and HEATER
-15	4734 227	25	Z			SCREW, Hex Head, M4.8-1.59x19
-16	4874 184	1	Z			GROMMET, A/C Probe

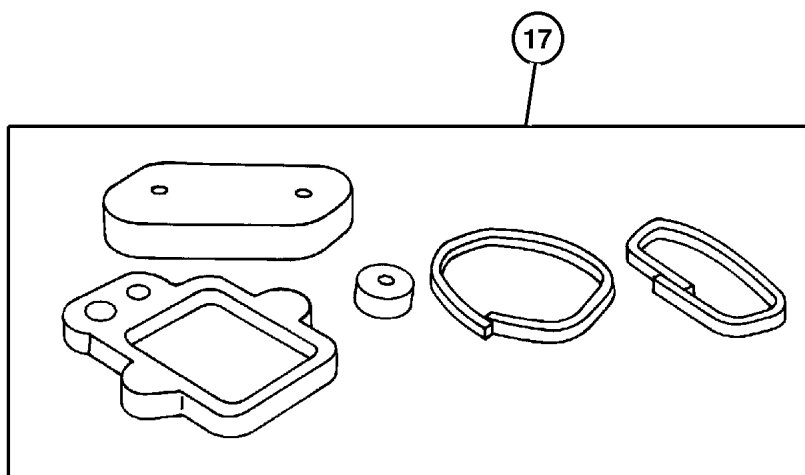
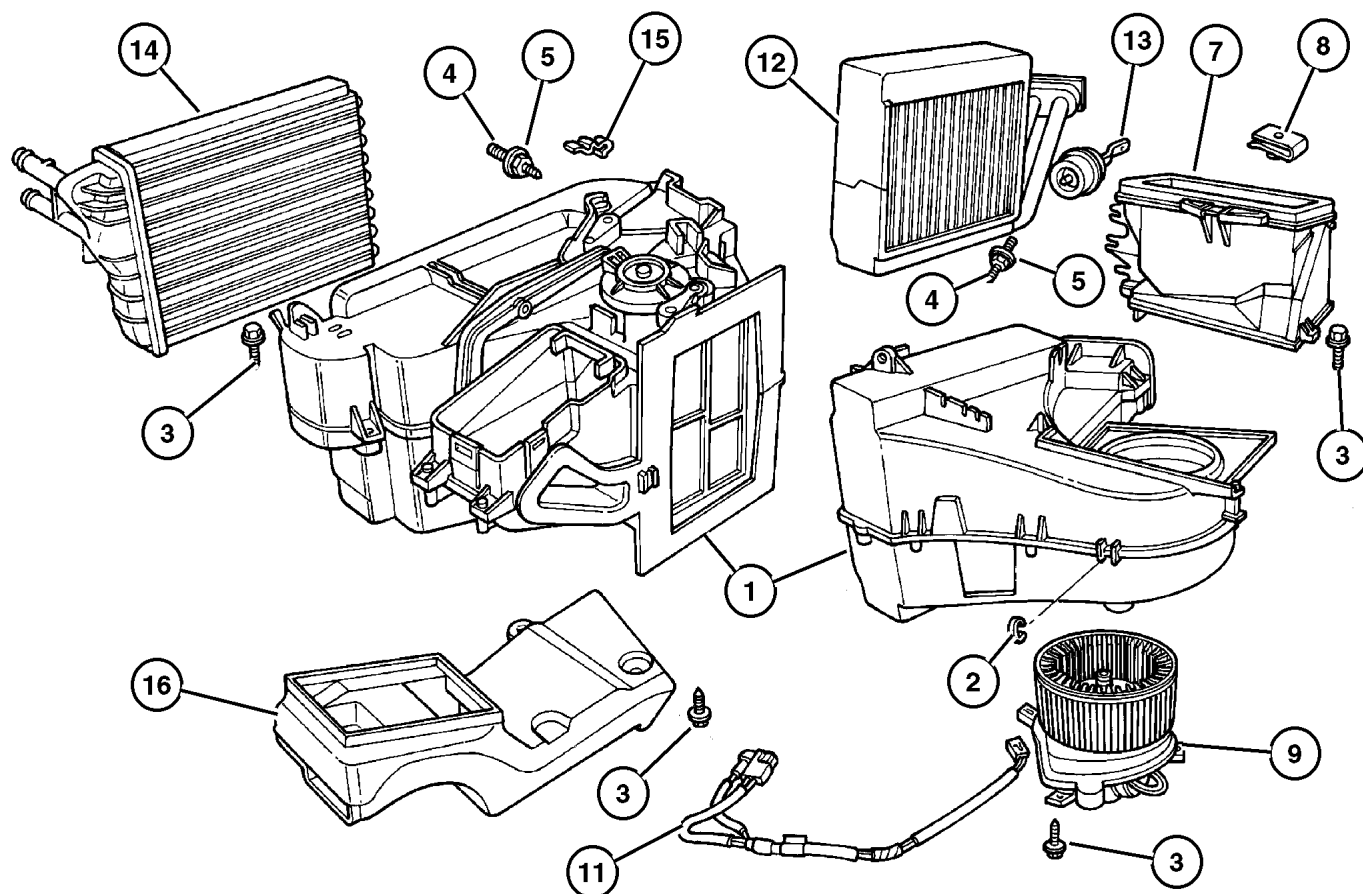
DODGE - CHRYSLER NEON (PL)

SERIES	LINE	BODY	ENGINE	TRANSMISSION
L=Low Line	Z= Chrysler, RHD	41 = 4 Door,	ECB = 2.0L 4 Cyl. , 16V SMPI	DD5 = 5 Speed Manual
H=High Line	D= Dodge	104WB	ECH = 2.0L 4 Cyl, 16V SOHC	DGL = 4 Speed Automatic
S = Special	C= Chrysler		EJD, EJO = 1.6L 4 Cyl 16v, SOHC	DG0 = All Automatics
P = Premium				DBB = All 5 Speed Manual
X = R/T				

AR = Use as required - = Non illustrated part # = New this model year

April 9, 2002

Air Conditioning Unit Left-Hand Drive Figure 024-115



ITEM	PART NUMBER	QTY	LINE	BODY	ENGINE	DESCRIPTION
NOTE: Sales Codes: n key.						
[ECB] = 2.0L SOHC 16V n key.						
[ECH] = 2.0L 4 CYL SOHC 16V HI PERF n key.						
[EJD] = 1.6L 4 CYL SOHC 16V SMPI n key.						
1	#5073 226AA	1	C, D			HOUSING, A/C And Heater
2	4644 388	2	C, D			CLIP, A/C Heater Housing
3	4734 227	19	C, D			SCREW, Hex Head, M4.8-1.59x19
4	4734 392	3	C, D			STUD, A/C Heater Housing
5	6031 087	3	C, D			WASHER, A/C Unit Mounting Stud
-6	4644 525	1	C, D			LEVER, Blend Air Door
7	5015 286AA	1	C, D			HOUSING, Air Inlet
8	6101 308	1	C, D			NUT, U, M6x1
9	4885 326AA	1	C, D			MOTOR, Blower with Wheel
-10	5264 802AA	1				RESISTOR, Blower Motor
11	#4794 840AA	1	C, D			WIRING, A/C and HEATER
12	5011 513AC	1	C, D			EVAPORATOR, Air Conditioning
13	4885 338AA	1	C, D			ACTUATOR, Vacuum
14	4734 453	1	C, D			CORE, Heater
15	4644 499	2	C, D			CLIP, Air Conditioning Cable
16	4644 500	1	C, D			DUCT, Floor Distribution
17	4864 960	1	C, D			SEAL KIT, A/C And Heater Unit
-18						DECAL, A/C System Specification
	#5058 049AA	1	C, D		ECB,	
					ECH	
	#5058 058AA	1	C, D		EJD	
	#5058 054AA	1				French

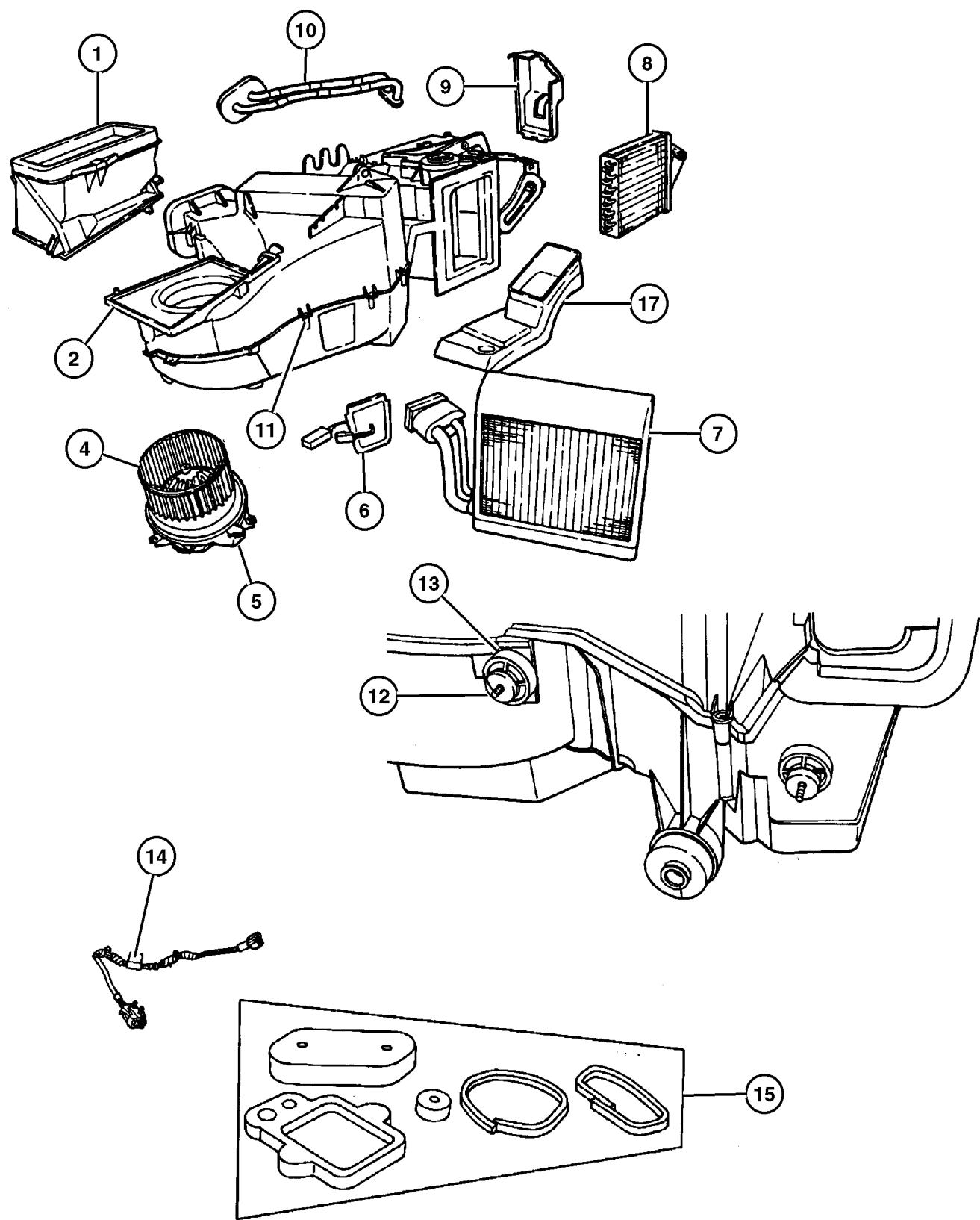
DODGE - CHRYSLER NEON (PL)

SERIES	LINE	BODY	ENGINE	TRANSMISSION
L=Low Line	Z= Chrysler, RHD	41 = 4 Door,	ECB = 2.0L 4 Cyl. , 16V SMPI	DD5 = 5 Speed Manual
H=High Line	D= Dodge	104WB	ECH = 2.0L 4 Cyl, 16V SOHC	DGL = 4 Speed Automatic
S = Special	C= Chrysler		EJD, EJO = 1.6L 4 Cyl 16v, SOHC	DG0 = All Automatics
P = Premium				DBB = All 5 Speed Manual
X = R/T				

AR = Use as required - = Non illustrated part # = New this model year

April 9, 2002

**Air Conditioning and Heater Unit Right-Hand Drive
Figure 024-120**



ITEM	PART NUMBER	QTY	LINE	BODY	ENGINE	DESCRIPTION
1	5013 423AA	1	Z			HOUSING, Air Inlet
2	5013 421AA	1	Z			HOUSING, A/C And Heater
-3	4644 525	1				LEVER, Blend Air Door
4	5017 720AA	1	Z			MOTOR, Blower with Wheel
5	4874 185	1	Z			COVER, Blower Motor
6	4644 536	1	Z			PROBE, Air Conditioning
7	4874 180AB	1	Z			EVAPORATOR, Air Conditioning
8	4874 181	1	Z			CORE, Heater
9	4874 182	1	Z			COVER, Heater Core Tubes
10	4874 183	1	Z			TUBE, Heater Core
11	4644 388	6	Z			CLIP, A/C Heater Housing
12	4644 225	3	Z			STUD, A/C Heater Housing
13	6031 087	3	Z			WASHER, A/C Unit Mounting Stud
14	4793 950AB	1	Z			WIRING, A/C and HEATER
15	4874 187	1	Z			SEAL KIT, A/C And Heater Unit
-16	4734 227	25	Z			SCREW, Hex Head, M4.8-1.59x19
17	4885 423AA	1				DUCT, Floor Distribution
-18	5264 802AA	1				RESISTOR, Blower Motor
-19						DECAL, A/C System Specification
	#5058 054AA	1				French
	5264 840AC	1	Z		ECB, ECH,	

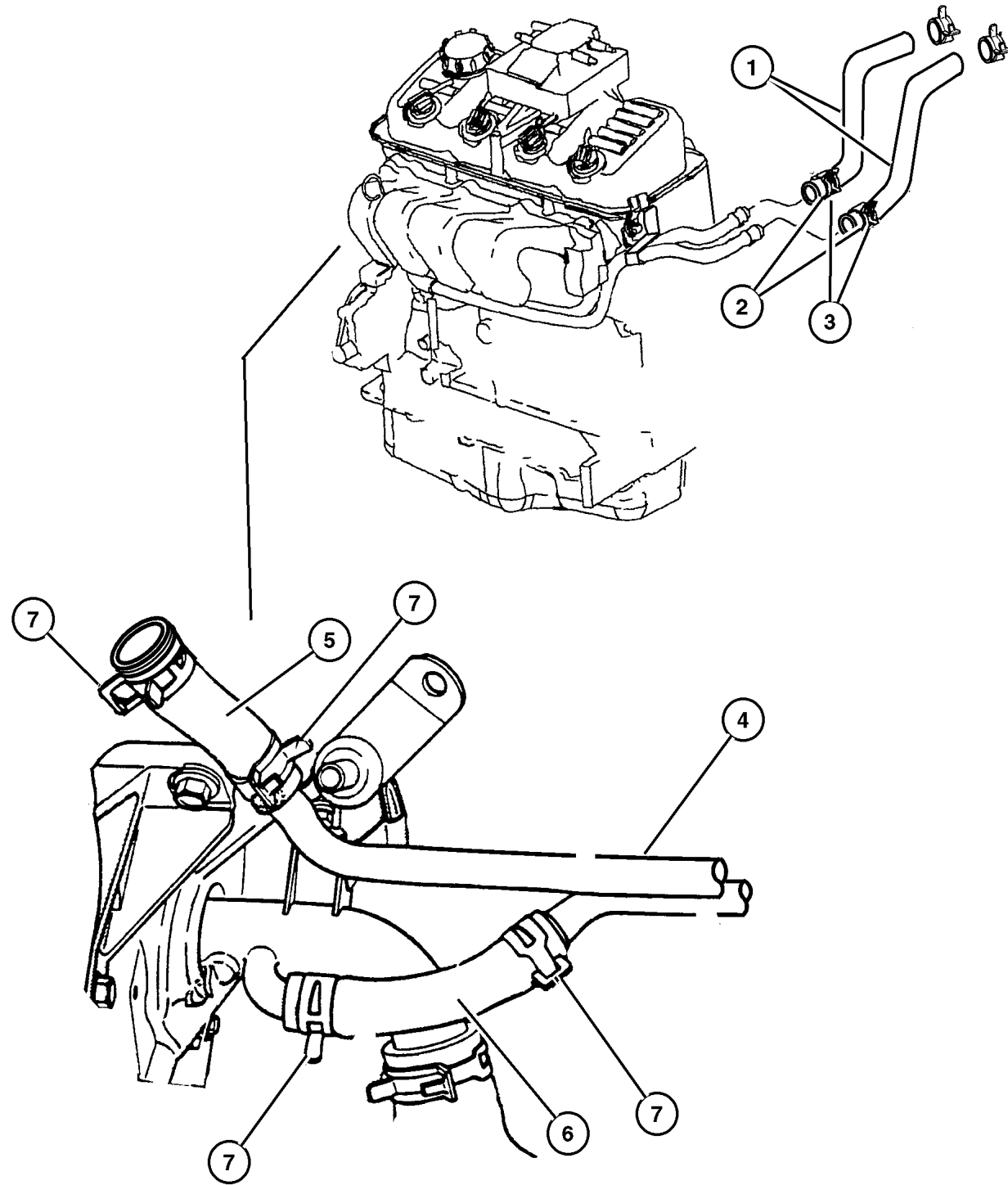
DODGE - CHRYSLER NEON (PL)

SERIES	LINE	BODY	ENGINE	TRANSMISSION
L=Low Line	Z= Chrysler, RHD	41 = 4 Door, 104WB	ECB = 2.0L 4 Cyl. , 16V SMPI	DD5 = 5 Speed Manual
H=High Line	D= Dodge		ECH = 2.0L 4 Cyl, 16V SOHC	DGL = 4 Speed Automatic
S = Special	C= Chrysler		EJD, EJ0 = 1.6L 4 Cyl 16v, SOHC	DG0 = All Automatics
P = Premium				DBB = All 5 Speed Manual
X = R/T				

AR = Use as required - = Non illustrated part # = New this model year

April 9, 2002

Plumbing, Heater
Figure 024-202



ITEM	PART NUMBER	QTY	LINE	BODY	ENGINE	DESCRIPTION
NOTE: Sales Codes: n key.						
[ECB] = 2.0L SOHC 16V n key.						
[ECH] = 2.0L 4 CYL SOHC 16V HI PERF n key.						
1						HOSE, Heater Core To Tube
	5264 658	2	C, D		ECB,	
					ECH	
	5264 781AA	2	Z		ECB,	
					ECH	
	5058 027AB	1	C, D		EJD	Return
	5278 577AC	1	Z		EJD	Supply
2						CLAMP, Heater Hose
	6502 017	4			ECB	
		4			ECH	
3						CLAMP, Supply Hose, 26 mm Diameter
	6503 422	2	Z		ECB,	
					ECH	
		4	C, D		ECB,	
					ECH	
		2			EJD	
4						TUBE, Heater
	4884 145AA	1			ECB	
		1			ECH	
5						HOSE, Heater, [5/8 Roll Stock], (NOT SERVICED)
6						HOSE, Heater, Tube to Pump (Serviced in Item #4)
	4884 086AA	1			ECB	
		1			ECH	
7						CLAMP, Supply Hose, 26 mm Diameter
	6503 422	2	Z		ECB,	
					ECH	
		4	C, D		ECB,	
					ECH	
		2			EJD	

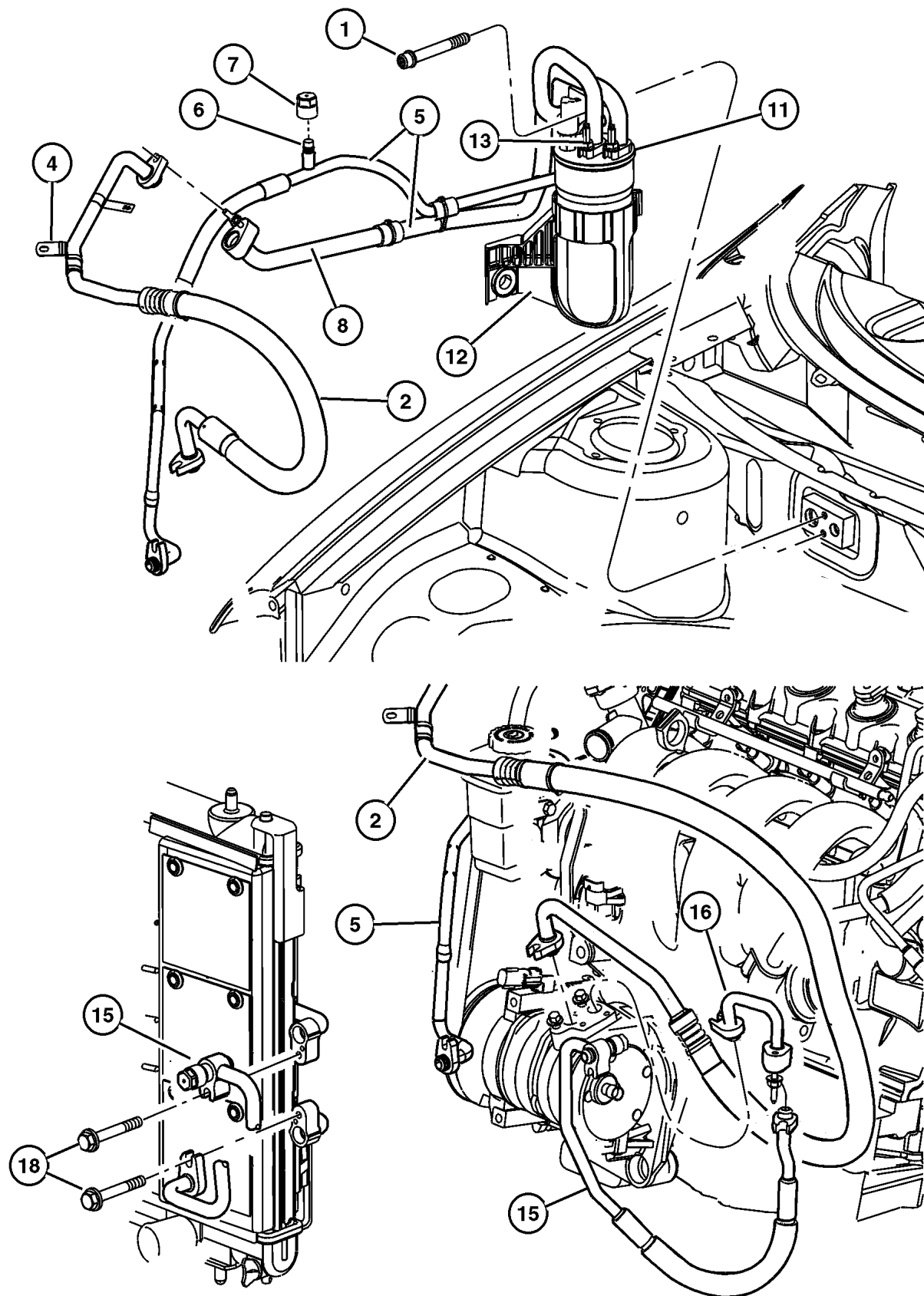
DODGE - CHRYSLER NEON (PL)

SERIES	LINE	BODY	ENGINE	TRANSMISSION
L=Low Line	Z= Chrysler, RHD	41 = 4 Door,	ECB = 2.0L 4 Cyl. , 16V SMPI	DD5 = 5 Speed Manual
H=High Line	D= Dodge	104WB	ECH = 2.0L 4 Cyl, 16V SOHC	DGL = 4 Speed Automatic
S = Special	C= Chrysler		EJD, EJO = 1.6L 4 Cyl 16v, SOHC	DG0 = All Automatics
P = Premium				DBB = All 5 Speed Manual
X = R/T				

AR = Use as required - = Non illustrated part # = New this model year

April 9, 2002

**Plumbing, Air Conditioning Left Hand Drive
Figure 024-204**



ITEM	PART NUMBER	QTY	LINE	BODY	ENGINE	DESCRIPTION
NOTE: Sales Codes: n key.						
[ECB] = 2.0L SOHC 16V n key.						
[ECH] = 2.0L 4 CYL SOHC 16V HI PERF n key.						
[EJD] = 1.6L 4 CYL SOHC 16V SMPI n key.						
1	#6036 487AA	2	C, D			SCREW AND WASHER, Accumulator Line Mtg., .250-20x1.60
2						LINE, A/C Suction
	#5058 130AA	1	C, D		ECB	
	#5058 131AA	1	C, D		ECH	
	#5058 132AA	1	C, D		EJD	
-3	4796 564	2	C, D		ECB, ECH,	O RING, A/C Line, Suction
4						BRACKET, A/C Line
	#5083 131AA	1	C, D		ECH	
		1	C, D		ECB	
		1	C, D		EJD	
5	#5083 135AA	1	C, D		ECB, ECH,	LINE, A/C Suction And Liquid
6	4882 334	1	C, D		ECB, ECH,	VALVE, A/C Discharge Line Check
7	5264 642	1				CAP, A/C Check Valve
8	#5083 136AA	1	C, D		ECB,	LINE, A/C Suction
					ECH,	
-9	4796 565	1	C, D		ECB, ECH,	O RING, A/C Discharge Line, Suction
-10	4796 564	2	C, D		ECB,	O RING, A/C Line
					ECH,	
11	#5083 134AA	1	C, D		ECB, ECH,	ACCUMULATOR, Air Conditioning
12	#5083 132AA	1	C, D		ECB,	BRACKET, Accumulator
					ECH,	
13	#5080 867AA	1	C, D		ECB, ECH,	SWITCH, A/C Low Pressure Cut Off
-14	4882 139	1	C, D		ECB,	O RING, High Pressure
					ECH,	
15						LINE, A/C Discharge
	#5278 818AC	1	C, D		ECB, ECH	
	#5278 819AC	1	C, D		EJD	
16	#5058 018AB	1	C, D		ECB, ECH	LINE, A/C Discharge, Jumper
-17						O RING, A/C Discharge Line

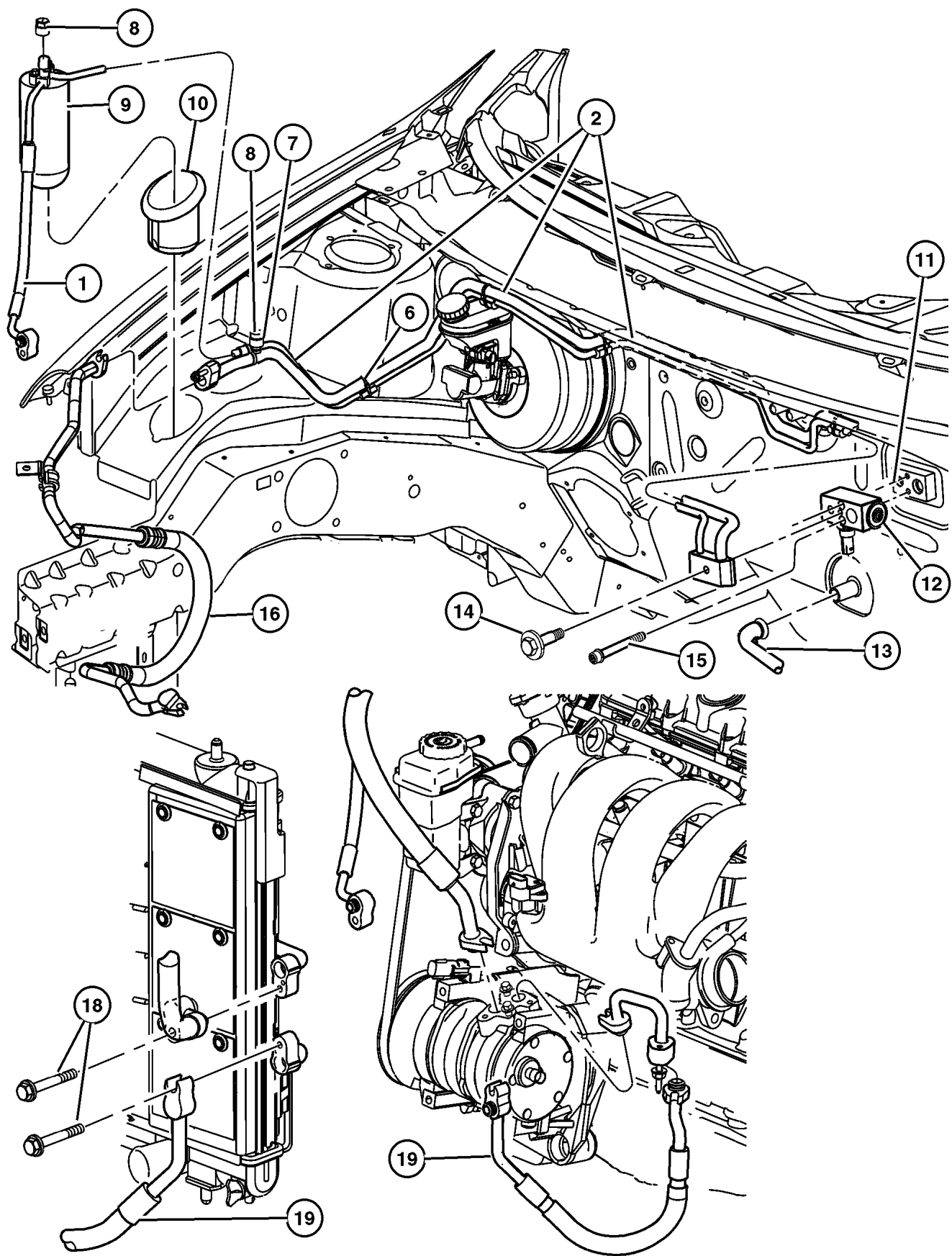
DODGE - CHRYSLER NEON (PL)

SERIES	LINE	BODY	ENGINE	TRANSMISSION
L=Low Line	Z= Chrysler, RHD	41 = 4 Door,	ECB = 2.0L 4 Cyl. , 16V SMPI	DD5 = 5 Speed Manual
H=High Line	D= Dodge	104WB	ECH = 2.0L 4 Cyl, 16V SOHC	DGL = 4 Speed Automatic
S = Special	C= Chrysler		EJD, EJO = 1.6L 4 Cyl 16v, SOHC	DG0 = All Automatics
P = Premium				DBB = All 5 Speed Manual
X = R/T				

AR = Use as required - = Non illustrated part # = New this model year

April 9, 2002

**Plumbing, Air Conditioning Right Hand Drive
Figure 024-210**



ITEM	PART NUMBER	QTY	LINE	BODY	ENGINE	DESCRIPTION
1						LINE, A/C Liquid
	5015 342AB	1	Z		EJD	
		1	Z		ECB, ECH	
2						LINE, A/C Suction And Liquid
	5015 345AC	1	Z		ECB, ECH	
	5018 802AA	1	Z		EJD	
-3						O RING, High Pressure
	4882 139	2	Z		EJD	
		2	Z		ECB, ECH	
-4						O RING, A/C Discharge Line, 1/2 inch
	4796 565	1	Z		EJD	
		1	Z		ECB, ECH	
-5						O RING, A/C Line, 5/8 inch
	4796 564	1	Z		EJD	
		1	Z		ECB, ECH	
6	5264 728	1	Z		ECB,	CLIP
					ECH	
7						VALVE, A/C Discharge Line Check
	5003 463AA	1	Z		EJD	
		1	Z		ECB, ECH	
8						CAP, A/C Check Valve
	5264 642	2	Z		EJD	
		2	Z		ECB, ECH	
9						DRIER, Air Conditioning Filter
	5015 343AA	1	Z		EJD	
		1	Z		ECB, ECH	
10	5264 643AD	1	Z			GROMMET, A/C Drier Mounting
11						GASKET, A/C Expansion Valve
	5066 133AA	1	Z		EJD	
		1	Z		ECB, ECH	
12	5278 538AD	1	Z			VALVE, A/C Expansion
13	5264 688	1				TUBE, Drain
14						SCREW, Hex Flange Head, M8x1.25x35, (NOT SERVICED)

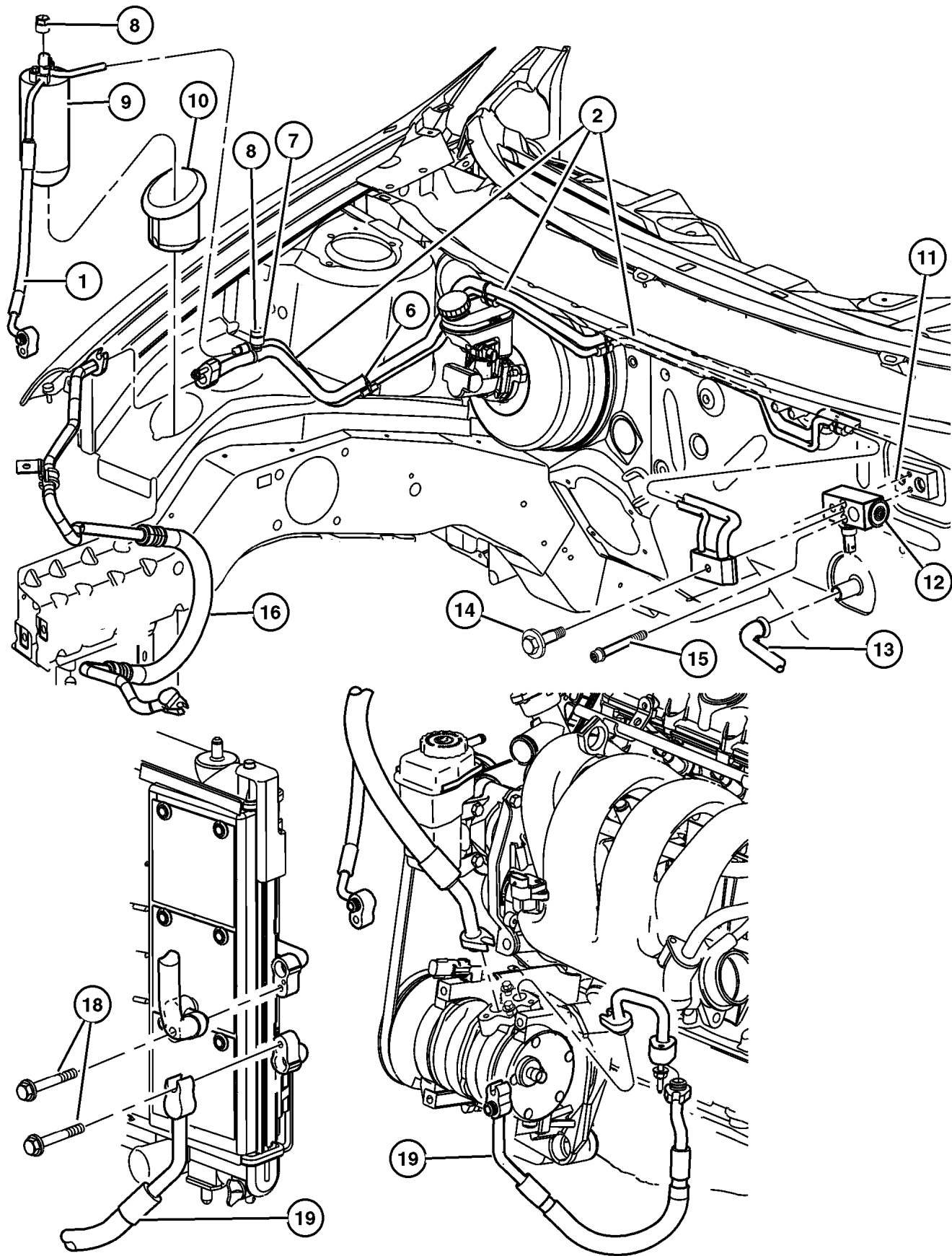
DODGE - CHRYSLER NEON (PL)

SERIES	LINE	BODY	ENGINE	TRANSMISSION
L=Low Line	Z= Chrysler, RHD	41 = 4 Door, 104WB	ECB = 2.0L 4 Cyl. , 16V SMPI	DD5 = 5 Speed Manual
H=High Line	D= Dodge		ECH = 2.0L 4 Cyl, 16V SOHC	DGL = 4 Speed Automatic
S = Special	C= Chrysler		EJD, EJ0 = 1.6L 4 Cyl 16v, SOHC	DG0 = All Automatics
P = Premium				DBB = All 5 Speed Manual
X = R/T				

AR = Use as required - = Non illustrated part # = New this model year

April 9, 2002

**Plumbing, Air Conditioning Right Hand Drive
Figure 024-210**



ITEM	PART NUMBER	QTY	LINE	BODY	ENGINE	DESCRIPTION
15	6032 572	2	Z			SCREW, Cap, .25-20x2.00
16	5278 634AE	1	Z		EJD	LINE, A/C Suction
-17	4796 564	2	Z		EJD	O RING, A/C Line, 5/8 inch
18	6101 770	2				SCREW AND WASHER, Hex Head, .19-16x1.00
19						LINE, A/C Discharge
	5264 759AB	1	Z		ECB, ECH	
	5278 574AE	1	Z		EJD	
-20						O RING, A/C Discharge Line
	4796 565	1	Z		ECB, ECH	
		2	Z		EJD	

DODGE - CHRYSLER NEON (PL)

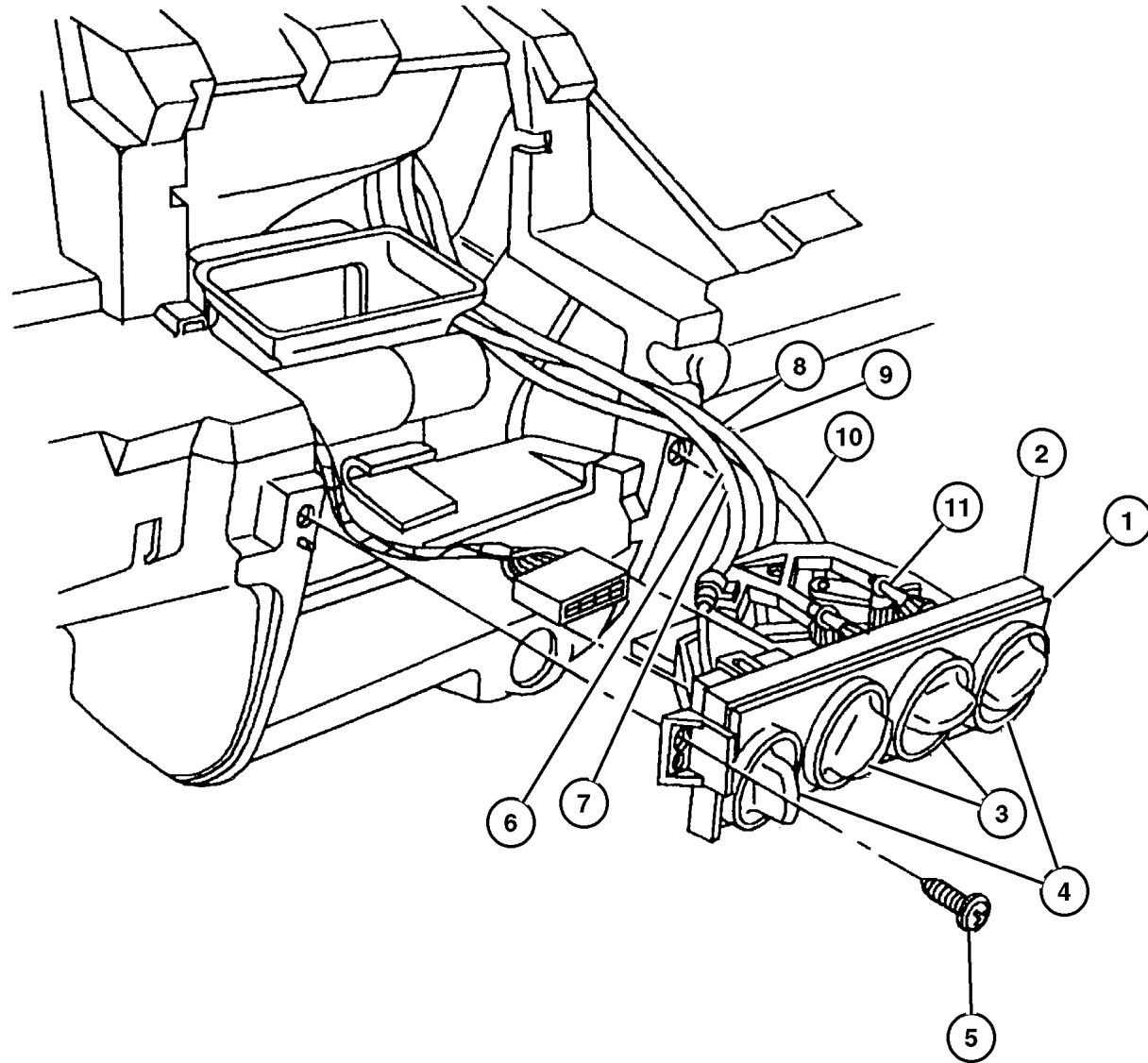
SERIES	LINE	BODY	ENGINE	TRANSMISSION
L=Low Line	Z= Chrysler, RHD	41 = 4 Door,	ECB = 2.0L 4 Cyl. , 16V SMPI	DD5 = 5 Speed Manual
H=High Line	D= Dodge	104WB	ECH = 2.0L 4 Cyl, 16V SOHC	DGL = 4 Speed Automatic
S = Special	C= Chrysler		EJD, EJO = 1.6L 4 Cyl 16v, SOHC	DG0 = All Automatics
P = Premium				DBB = All 5 Speed Manual
X = R/T				

AR = Use as required - = Non illustrated part # = New this model year

April 9, 2002

**Controls, Air Conditioning and Heater
Figure 024-302**

ITEM	PART NUMBER	QTY	LINE	BODY	ENGINE	DESCRIPTION
NOTE: n key.						
Control Face Plate serviced with center Instrument Panel Bezel n key.						
1						CONTROL, A/C And Heater
	4885 336AA	1	C, D			
	5015 381AB	1	Z			
2						CONTROL, Heater
	4885 337AA	1	C, D			
	5015 382AA	1	Z			
3						KNOB, A/C Control
	SZ13 DX9AA	2				
		1	Z			Recirc
4	SZ14 DX9AA	1				KNOB, Blower Switch, Blower
5	6032 723	4				SCREW, Self Tapping, M4.2x1.69x19.05
6	4885 391AB	1				CABLE, Mode
7	4644 495	1	Z			CABLE, Mode
8	4885 392AB	1	C, D			CABLE, Blend Door
9	4644 496	1	Z			CABLE, Temperature Control
10	4644 494	1	Z			CABLE, Recirculation Door
11						CLIP, Air Conditioning Cable
	4644 499	2	C, D			
		6	Z			
-12						BULB, Heater and A/C Control
	5003 281AA	4	C, D			
		4	Z			



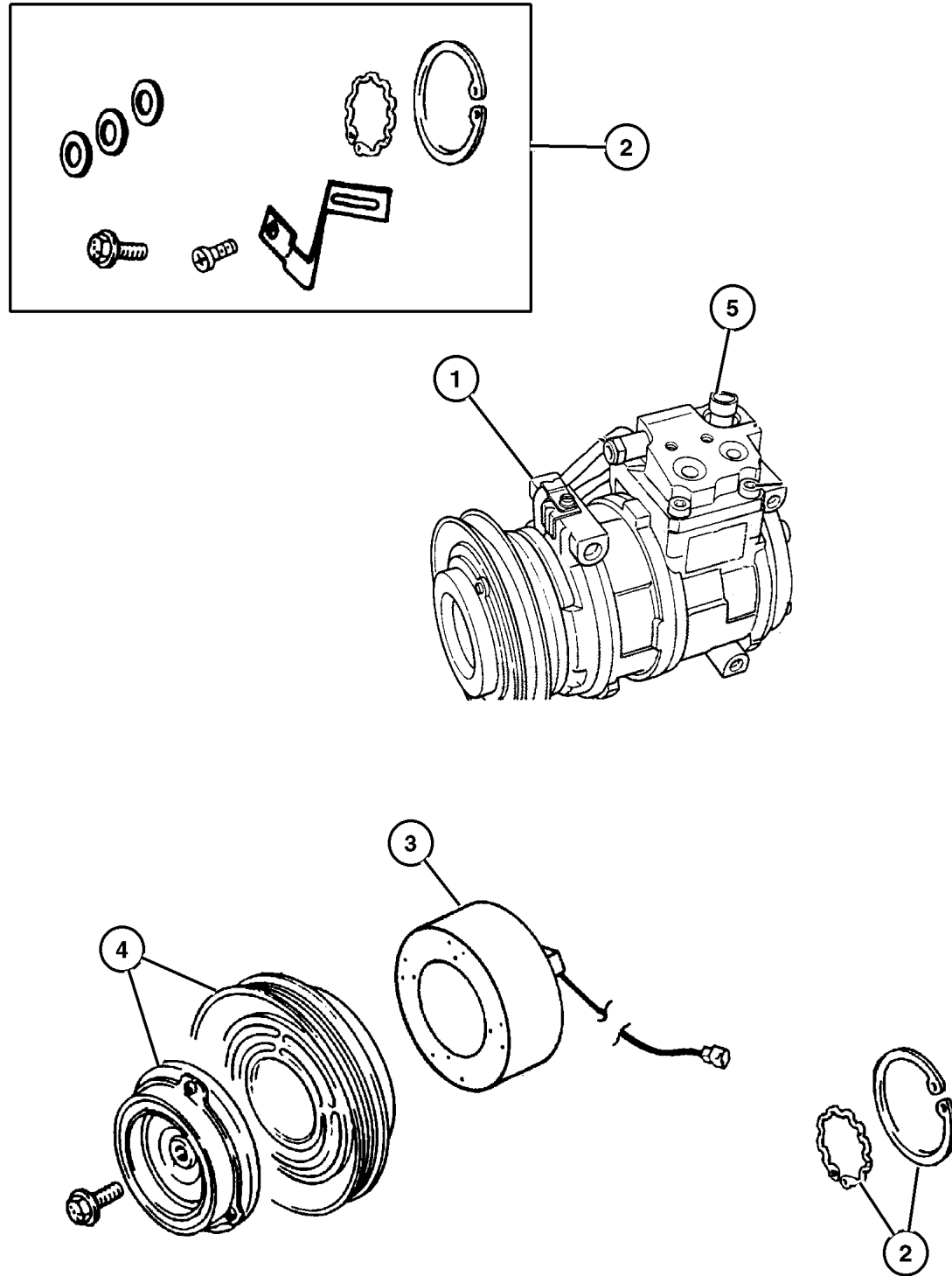
DODGE - CHRYSLER NEON (PL)

SERIES	LINE	BODY	ENGINE	TRANSMISSION
L=Low Line	Z= Chrysler, RHD	41 = 4 Door,	ECB = 2.0L 4 Cyl. , 16V SMPI	DD5 = 5 Speed Manual
H=High Line	D= Dodge	104WB	ECH = 2.0L 4 Cyl, 16V SOHC	DGL = 4 Speed Automatic
S = Special	C= Chrysler		EJD, EJ0 = 1.6L 4 Cyl 16v, SOHC	DG0 = All Automatics
P = Premium				DBB = All 5 Speed Manual
X = R/T				

AR = Use as required - = Non illustrated part # = New this model year

April 9, 2002

Compressor Figure 024-403



ITEM	PART NUMBER	QTY	LINE	BODY	ENGINE	DESCRIPTION
NOTE: Sales Codes: n key.						
[ECB] = 2.0L SOHC 16V n key.						
[ECH] = 2.0L 4 CYL SOHC 16V HI PERF n key.						
[EJD] = 1.6L 4 CYL SOHC 16V SMPI n key.						
1						COMPRESSOR, Air Conditioning
	#5058 036AC	1	C, D		ECB, ECH	
	#5058 036AA	1	Z		ECB, ECH	
	#5058 030AA	1	C, D		EJD	
	#5058 034AA	1	Z		EJD	
2						CLUTCH OVERHAUL KIT, A/C Compressor
	5014 572AA	1	C, D		ECB, ECH	
		1	Z		ECB, ECH	
		1			EJD	
3						COIL, Stator, A/C Compressor Clutch
	4864 715	1	C, D		ECB, ECH	
		1	Z		ECB, ECH	
		1			EJD	
4						PULLEY HUB KIT, A/C Compressor
	5014 573AA	1	C, D		ECB, ECH	
		1	Z		ECB, ECH	
	5017 695AA	1	C, D		EJD	
		1	Z		EJD	
5						SWITCH, A/C High Pressure Cut Off
	5014 574AA	1	C, D		ECB, ECH	
		1	Z		ECB, ECH	
		1			EJD	

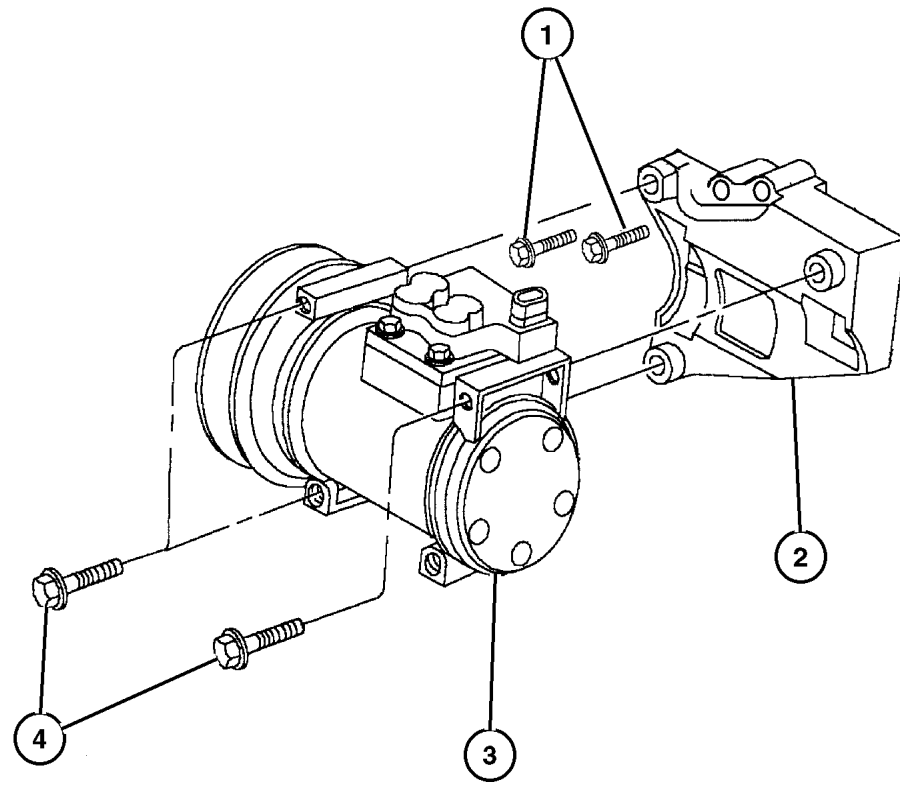
DODGE - CHRYSLER NEON (PL)

SERIES	LINE	BODY	ENGINE	TRANSMISSION
L=Low Line	Z= Chrysler, RHD	41 = 4 Door,	ECB = 2.0L 4 Cyl. , 16V SMPI	DD5 = 5 Speed Manual
H=High Line	D= Dodge	104WB	ECH = 2.0L 4 Cyl, 16V SOHC	DGL = 4 Speed Automatic
S = Special	C= Chrysler		EJD, EJO = 1.6L 4 Cyl 16v, SOHC	DG0 = All Automatics
P = Premium				DBB = All 5 Speed Manual
X = R/T				

AR = Use as required - = Non illustrated part # = New this model year

April 9, 2002

Compressor Mounting Figure 024-503



ITEM	PART NUMBER	QTY	LINE	BODY	ENGINE	DESCRIPTION
NOTE: Sales Codes: n key.						
[EBD] = 1.8L 4 CYL SOHC 16V SEFI n key.						
[ECB] = 2.0L SOHC 16V n key.						
[ECH] = 2.0L 4 CYL SOHC 16V HI PERF n key.						
1	6101 512	4			ECB, ECH	SCREW AND WASHER, Hex Head, M10x1.5x45
2	4668 194AB	1			ECB, ECH	BRACKET, Torque Reaction, Compressor Mounting
3	4668 459AB	1			EJD	COMPRESSOR, Air Conditioning
	#5058 036AC	1	C, D		ECB, ECH	
	#5058 036AA	1	Z		ECB, ECH	
	#5058 030AA	1	C, D		EJD	
	#5058 034AA	1	Z		EJD	
4	6503 219	4			ECB, ECH,	SCREW AND WASHER, Hex Head, M8x1.25x100

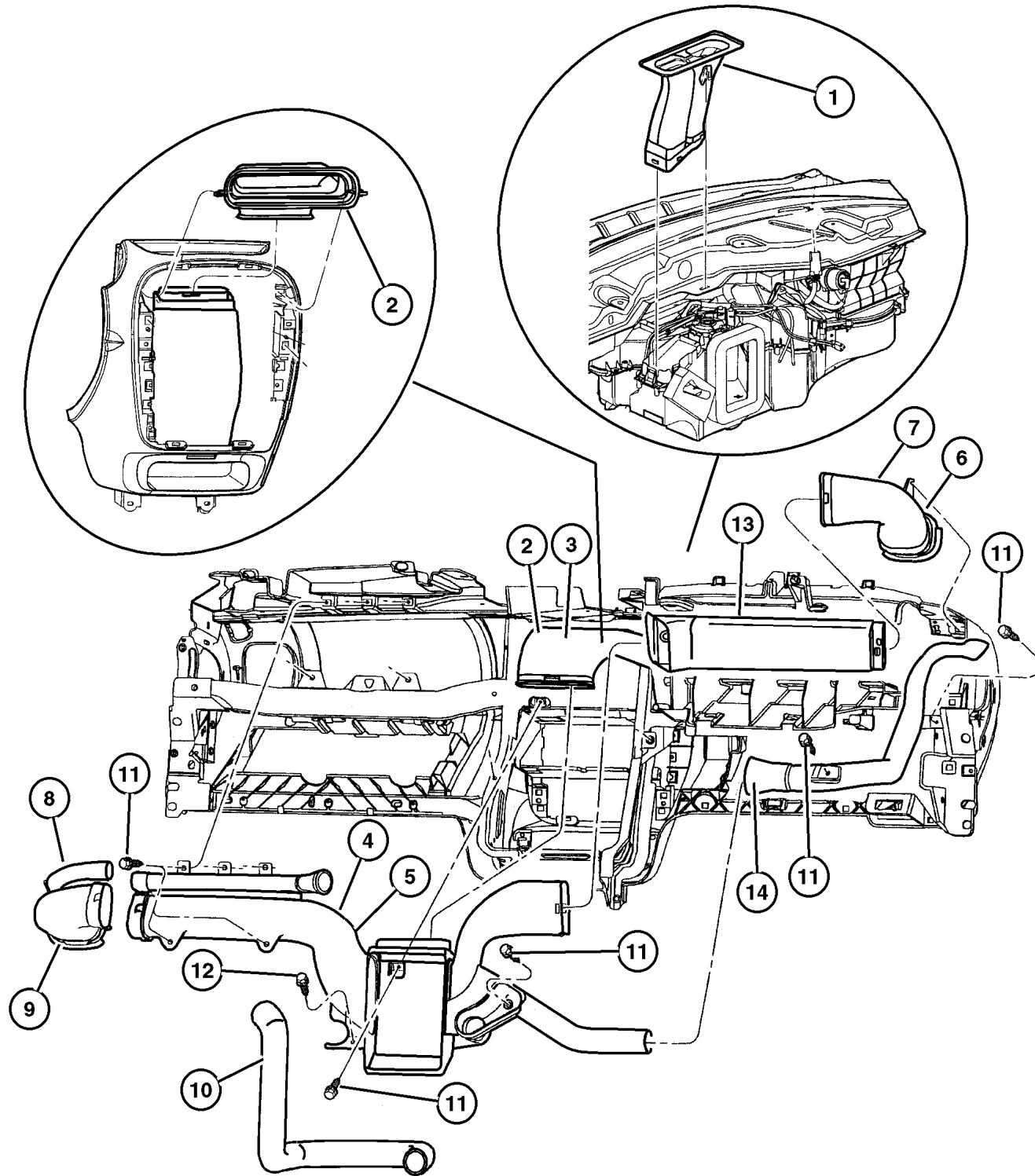
DODGE - CHRYSLER NEON (PL)

SERIES	LINE	BODY	ENGINE	TRANSMISSION
L=Low Line	Z= Chrysler, RHD	41 = 4 Door,	ECB = 2.0L 4 Cyl. , 16V SMPI	DD5 = 5 Speed Manual
H=High Line	D= Dodge	104WB	ECH = 2.0L 4 Cyl, 16V SOHC	DGL = 4 Speed Automatic
S = Special	C= Chrysler		EJD, EJO = 1.6L 4 Cyl 16v, SOHC	DG0 = All Automatics
P = Premium				DBB = All 5 Speed Manual
X = R/T				

AR = Use as required - = Non illustrated part # = New this model year

April 9, 2002

Air Distribution Ducts Figure 024-603



ITEM	PART NUMBER	QTY	LINE	BODY	ENGINE	DESCRIPTION
1						DUCT, Defroster
	5264 792AB	1	C, D			
	5264 801AB	1	Z			
2	5264 748AB	1	C, D			DUCT, Air Outlet Distribution, Center
3	5264 785AA	1	Z			DUCT, Air Outlet, Center
4	5264 749AE	1	C, D			DUCT, Air Outlet
5	5264 784AD	1	Z			DUCT, Air Outlet Distribution
6	5264 753AC	1	C, D			DUCT, Air Outlet
7	5264 788AB	1	Z			DUCT, Air Outlet
8	5264 753AC	1	C, D			DUCT, Air Outlet
9	5264 787AC	1	Z			DUCT, Air Outlet, Left
10						HOSE, Demister
	5264 750	1	C, D			
		1	Z			
11	6032 723	4				SCREW, Self Tapping, M4.2x1.69x19.05
12	6030 441	2				PIN, Retainer
13						DUCT, Air Outlet
	5264 799AA	1	C, D			
	5264 800AA	1	Z			
14	5264 751	1	C, D			ADAPTER, Demister, Left

DODGE - CHRYSLER NEON (PL)

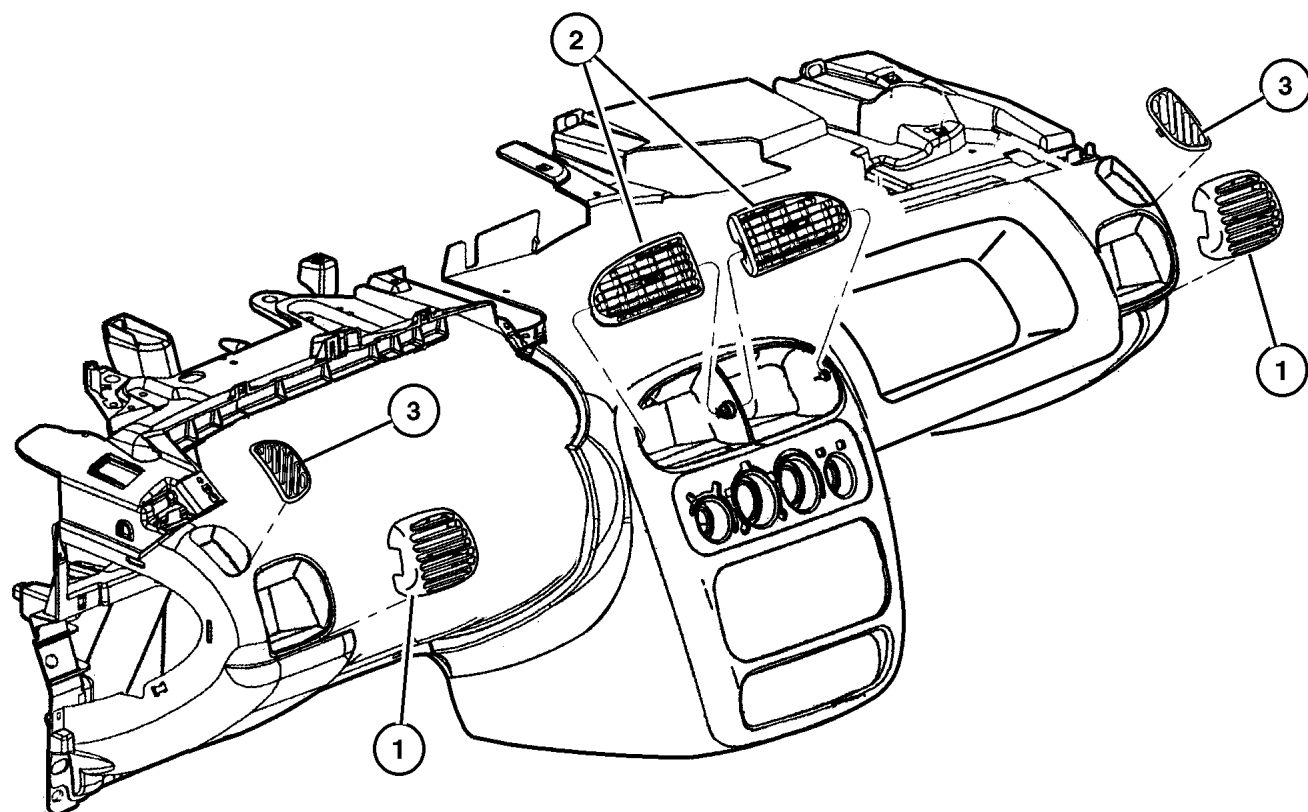
SERIES	LINE	BODY	ENGINE	TRANSMISSION
L=Low Line	Z= Chrysler, RHD	41 = 4 Door,	ECB = 2.0L 4 Cyl. , 16V SMPI	DD5 = 5 Speed Manual
H=High Line	D= Dodge	104WB	ECH = 2.0L 4 Cyl, 16V SOHC	DGL = 4 Speed Automatic
S = Special	C= Chrysler		EJD, EJ0 = 1.6L 4 Cyl 16v, SOHC	DG0 = All Automatics
P = Premium				DBB = All 5 Speed Manual
X = R/T				

AR = Use as required - = Non illustrated part # = New this model year

April 9, 2002

Air Distribution Outlets Figure 024-605

ITEM	PART NUMBER	QTY	LINE	BODY	ENGINE	DESCRIPTION
1						OUTLET, Air, Outer
	QT56 WL5AA	2	C, D			[L5]
		2	Z			[L5]
	QT56 XDVAA	2	C, D			[DV]
		2	Z			[DV]
2						OUTLET, Air, Center
	QT58 DX9AC	1				Black, Right
	QT59 DX9AC	1				Black, Left
3						GRILLE, Demister
	RB23 WL5AA	1	C, D			[L5], Right
	RB24 WL5AA	1	C, D			[L5], Left
	RB23 XDVAA	1	C, D			[DV], Right
	RB24 XDVAA	1	C, D			[DV], Left
	RC58 WL5AA	1	Z			[L5], Right
	RC59 WL5AA	1	Z			[L5], Left
	RC58 XDVAA	1	Z			[DV], Right
	RC59 XDVAA	1	Z			[DV], Left



DODGE - CHRYSLER NEON (PL)

SERIES	LINE	BODY	ENGINE	TRANSMISSION
L=Low Line	Z= Chrysler, RHD	41 = 4 Door,	ECB = 2.0L 4 Cyl. , 16V SMPI	DD5 = 5 Speed Manual
H=High Line	D= Dodge	104WB	ECH = 2.0L 4 Cyl, 16V SOHC	DGL = 4 Speed Automatic
S = Special	C= Chrysler		EJD, EJ0 = 1.6L 4 Cyl 16v, SOHC	DG0 = All Automatics
P = Premium				DBB = All 5 Speed Manual
X = R/T				

AR = Use as required - = Non illustrated part # = New this model year

April 9, 2002

Group – 025

Emission Systems

GROUP 25 - Emission Systems

Illustration Title

Group-Fig. No.

Emission Labels

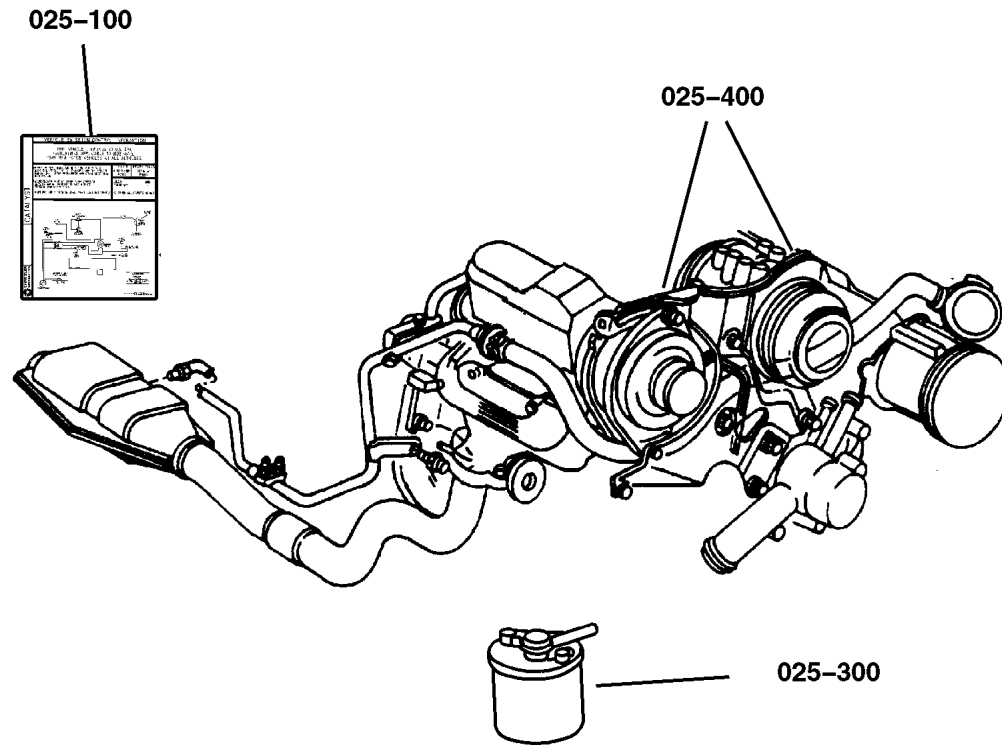
Emission Label Fig. 025-110

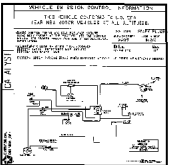

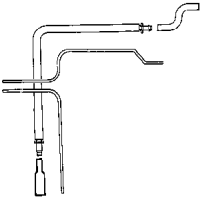
Vacuum Canister

Vapor Canister and Leak Detection Pump Fig. 025-301

Emission Harness

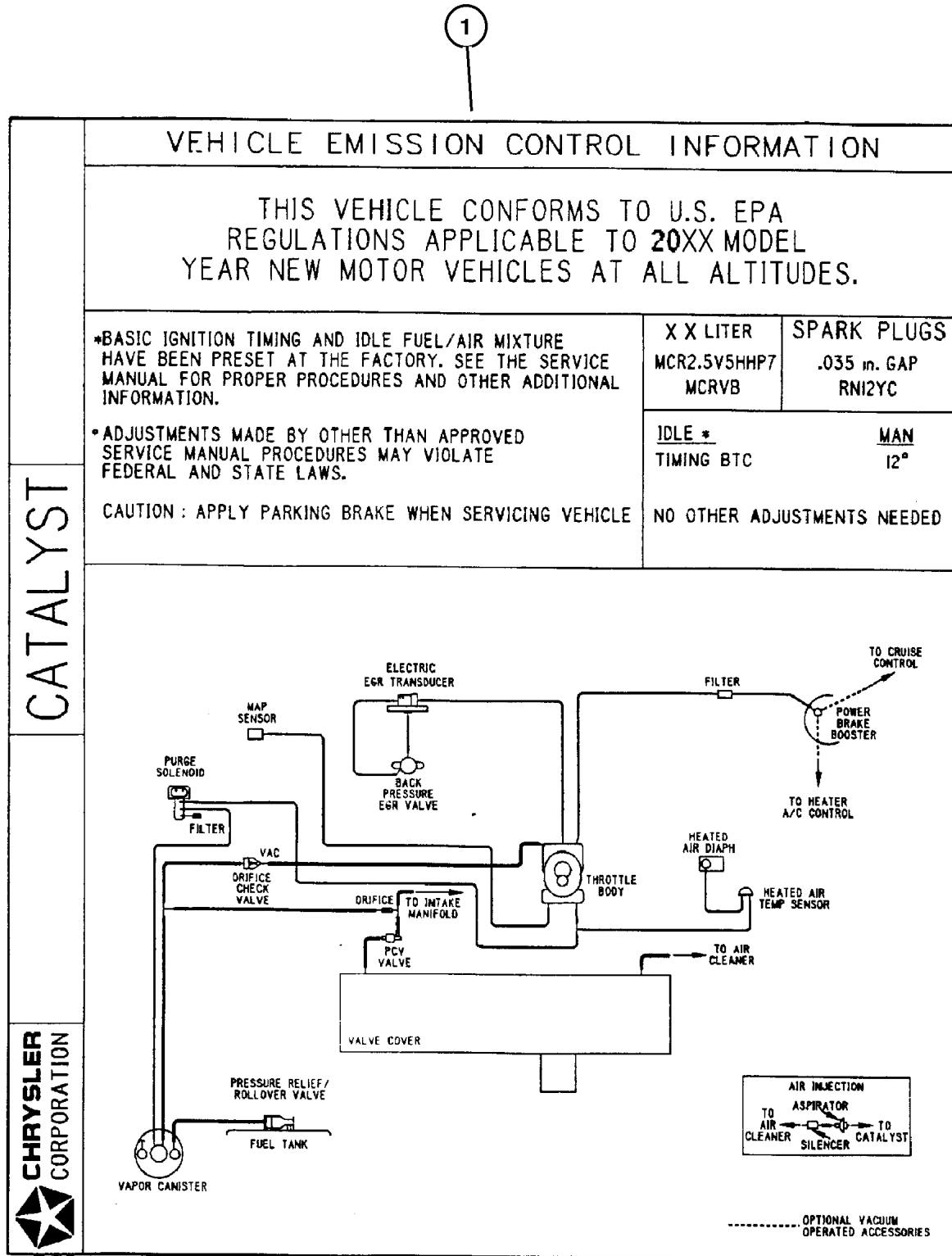
Emission Control Vacuum Harness PL Fig. 025-401



<p>025-100 Emission Labels</p> 	<p>025-300 Vacuum Canister</p> 	<p>025-400 Emission Harness</p> 	
---	---	---	--

Emission Label
Figure 025-110

ITEM	PART NUMBER	QTY	LINE	BODY	ENGINE	TRANS	DESCRIPTION
1							LABEL, Emission
	#4668 943AA	1			EJD		
	#4668 944AC	1			ECH		
	#4668 945AA	1			ECB		
	#4668 946AA	1			ECB, ECH		



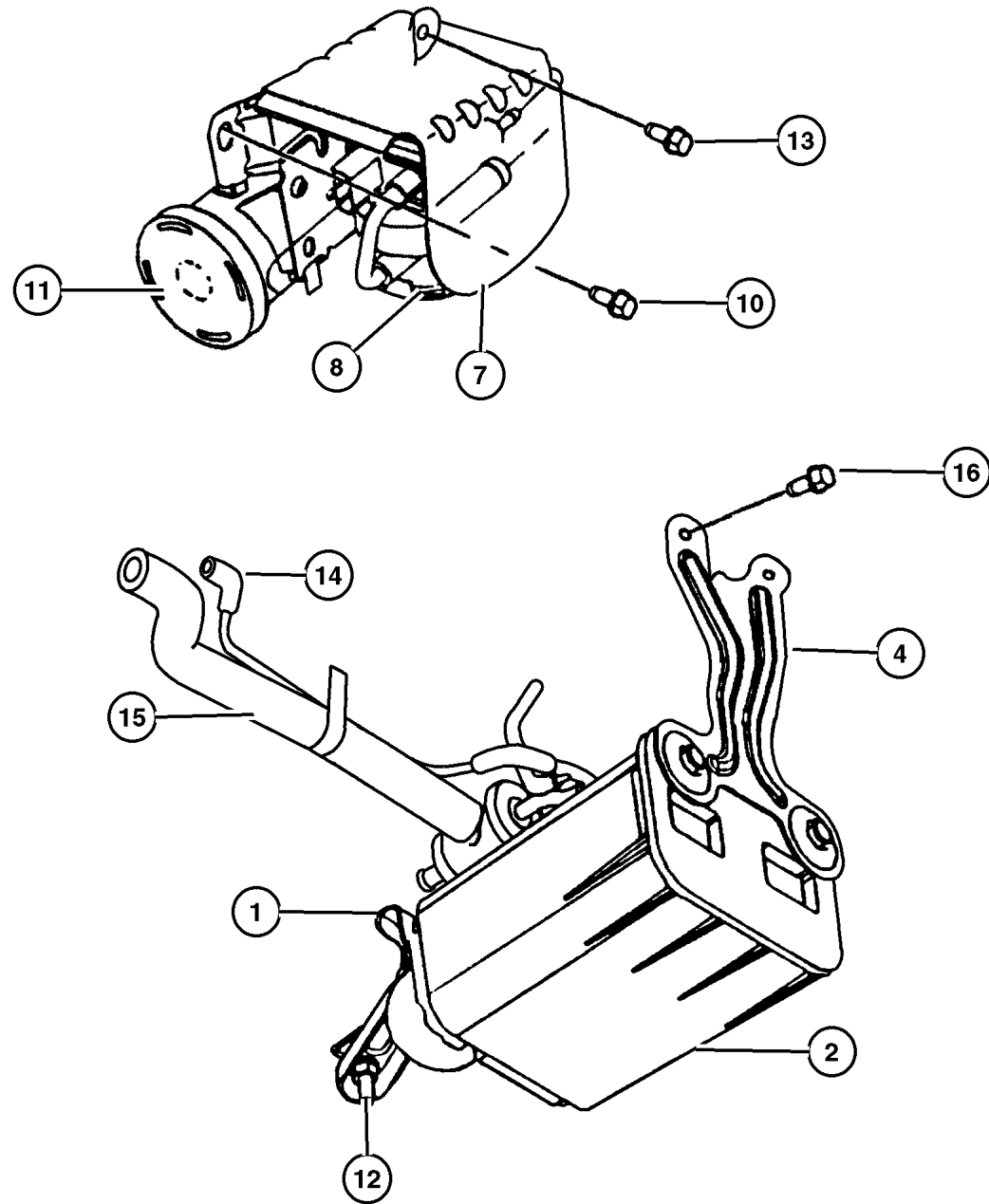
DODGE - CHRYSLER NEON (PL)

SERIES	LINE	BODY	ENGINE	TRANSMISSION
L=Low Line	Z= Chrysler, RHD	41 = 4 Door, 104WB	ECB = 2.0L 4 Cyl. , 16V SMPI	DD5 = 5 Speed Manual
H=High Line	D= Dodge		ECH = 2.0L 4 Cyl, 16V SOHC	DGL = 4 Speed Automatic
S = Special	C= Chrysler		EJD, EJO = 1.6L 4 Cyl 16v, SOHC	DG0 = All Automatics
P = Premium				DBB = All 5 Speed Manual
X = R/T				

AR = Use as required - = Non illustrated part # = New this model year

April 9, 2002

Vapor Canister and Leak Detection Pump Figure 025-301



ITEM	PART NUMBER	QTY	LINE	BODY	ENGINE	TRANS	DESCRIPTION
NOTE: Sales Codes n key.							
[EBD]=1.8L Engine. n key.							
[ECB]=2.0L SOHC Engine. n key.							
1	4891 350AA	1			ECB, ECH,	EJD	BRACKET, Vapor Canister, Top
2	4669 869	1			ECB, ECH,	EJD	CANISTER, Vapor
-3	6035 155	4					SCREW, Hex Head, .25-14x.875
4	4891 394AA	1			ECB, ECH		BRACKET, Vapor Canister, Lower
-5	6100 048	1					NUT, Hex, M6x1.00
-6	6503 951	4			ECB, ECH,	EJD	STUD, M6X1.00X.250-14X30.00
7	4891 049AB	1			ECB, ECH,	EJD	BRACKET, Vent Valve Filter Mtg.
8	4891 417AB	1			ECB, ECH,	EJD	PUMP, Leak Detection
-9	4891 048AC	1			ECB, ECH,	EJD	HOSE, Leak Detection Pump to Filter, To Filter
10	6506 203AA	4					SCREW, Hex Head
11	4612 901	1			ECB, ECH,	EJD	FILTER, Fuel Vapor Vent
12	6101 695	1			ECB, ECH,	EJD	NUT, Hex Flange Lock, M8x1.25
13	6102 132AA	1					SCREW, Hex Head, M6x1x20
14	4891 060AC	1			ECB, ECH,	EJD	HARNES, Vacuum, Leak Detection Pump
15	4891 047AC	1			ECB, ECH,	EJD	HOSE, Leak Detection Pump to Canister
16	6101 976	2			ECB, ECH,	EJD	SCREW, Hex Flange Head, M6.3x1.81x16

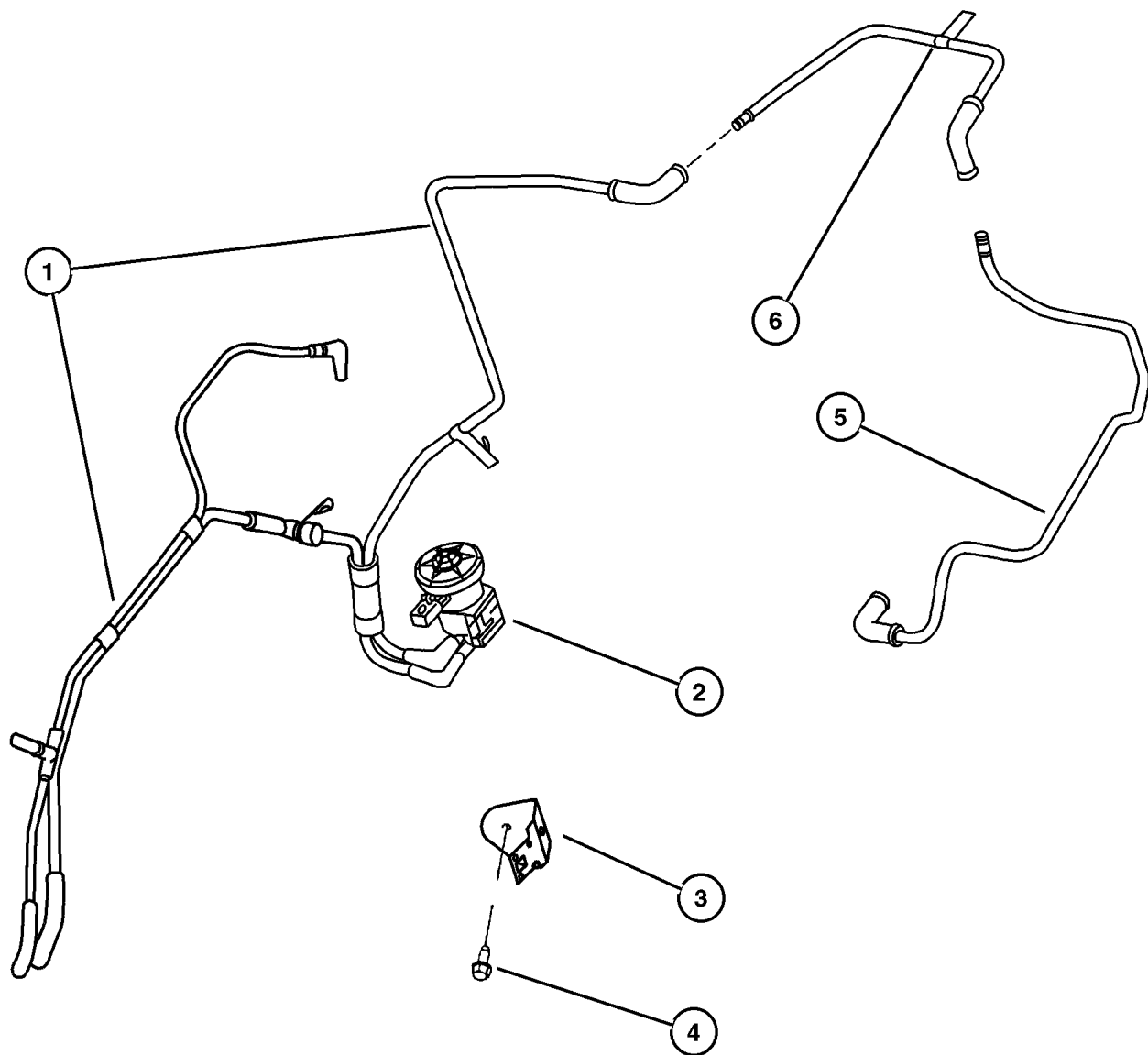
DODGE - CHRYSLER NEON (PL)

SERIES	LINE	BODY	ENGINE	TRANSMISSION
L=Low Line	Z= Chrysler, RHD	41 = 4 Door,	ECB = 2.0L 4 Cyl. , 16V SMPI	DD5 = 5 Speed Manual
H=High Line	D= Dodge	104WB	ECH = 2.0L 4 Cyl, 16V SOHC	DGL = 4 Speed Automatic
S = Special	C= Chrysler		EJD, EJ0 = 1.6L 4 Cyl 16v, SOHC	DG0 = All Automatics
P = Premium				DBB = All 5 Speed Manual
X = R/T				

AR = Use as required - = Non illustrated part # = New this model year

April 9, 2002

Emission Control Vacuum Harness PL
Figure 025-401



ITEM	PART NUMBER	QTY	LINE	BODY	ENGINE	TRANS	DESCRIPTION
NOTE: Sales Codes n key.							
[EBD]=1.8L Engine n key.							
[ECB]=2.0L Engine n key.							
[ECH]=2.0L R/T Engine n key.							
[EJD]=1.6L Engine n key.							
1	4891 327AB	1			EJD		HARNESS, Vapor Purge
2	4669 569	1			ECB		SOLENOID, Proportional Purge
		1			ECH	DD5	
		1			EJD		
		1	C, D		EJD		
3	4891 044AB	1					BRACKET, Proportional Purge Solenoid
4	6102 132AA	1					SCREW, Hex Head, M6x1x20
5	4891 328AB	1	D, P		EJD		HARNESS, Proportional Purge Solenoid
6	4891 455AB	1					HARNESS, Proportional Purge Solenoid

DODGE - CHRYSLER NEON (PL)

SERIES	LINE	BODY	ENGINE	TRANSMISSION
L=Low Line	Z= Chrysler, RHD	41 = 4 Door,	ECB = 2.0L 4 Cyl. , 16V SMPI	DD5 = 5 Speed Manual
H=High Line	D= Dodge	104WB	ECH = 2.0L 4 Cyl, 16V SOHC	DGL = 4 Speed Automatic
S = Special	C= Chrysler		EJD, EJO = 1.6L 4 Cyl 16v, SOHC	DG0 = All Automatics
P = Premium				DBB = All 5 Speed Manual
X = R/T				

AR = Use as required - = Non illustrated part # = New this model year

April 9, 2002

Group – DPL

Doors and Related Parts

GROUP DPL - Doors and Related Parts

Illustration Title

Group-Fig. No.

Front Door

Door, Front Shell and Hinges Fig. DPL-105

Door, Front Regulator, Glass, Handle and Locking Fig. DPL-107

Rear Door

Door, Rear Shell and Hinges Fig. DPL-205

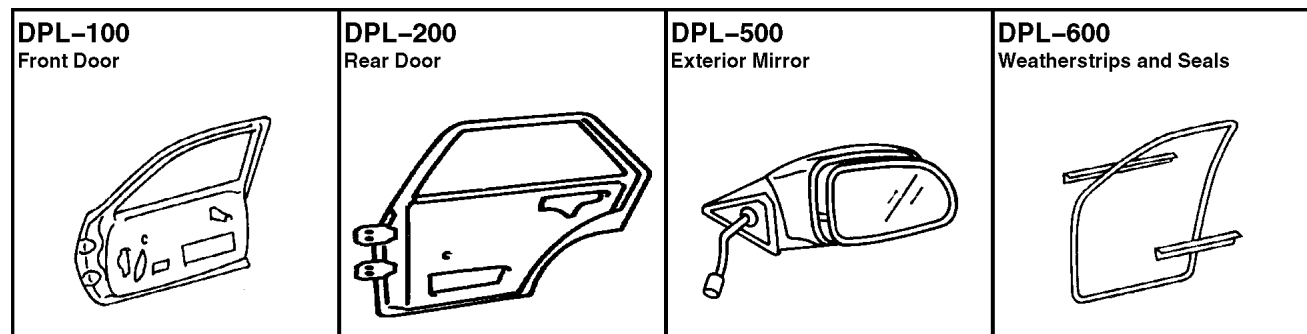
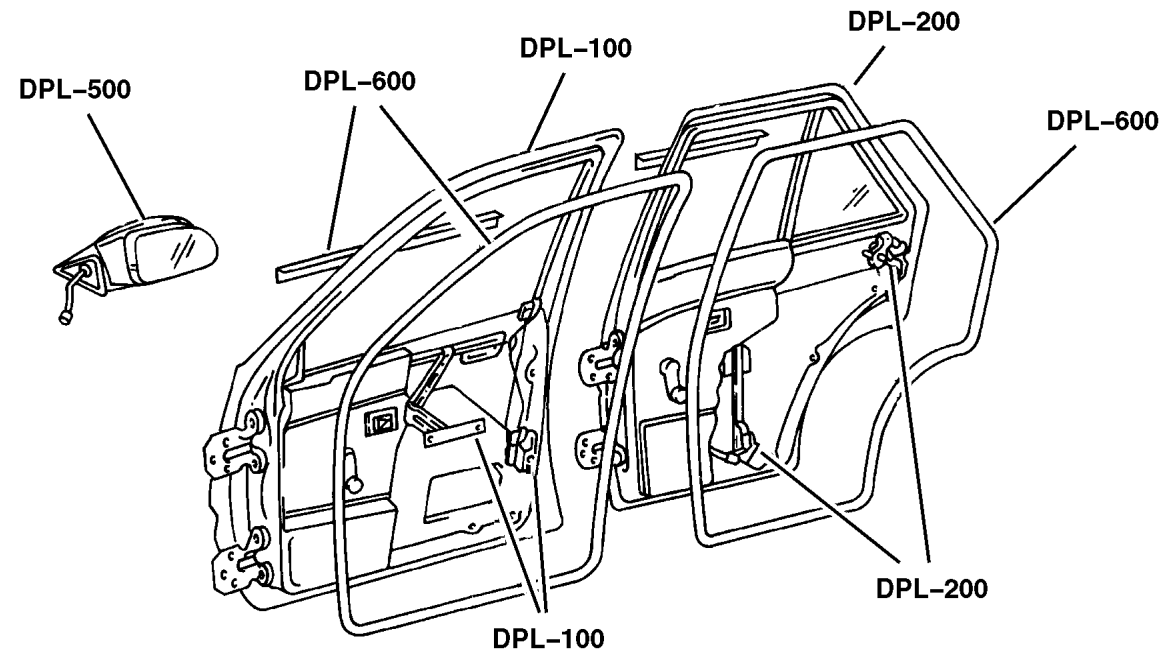
Door, Rear Regulator, Glass, Handle and Locking Fig. DPL-207

Exterior Mirror

Mirror, Exterior Fig. DPL-505

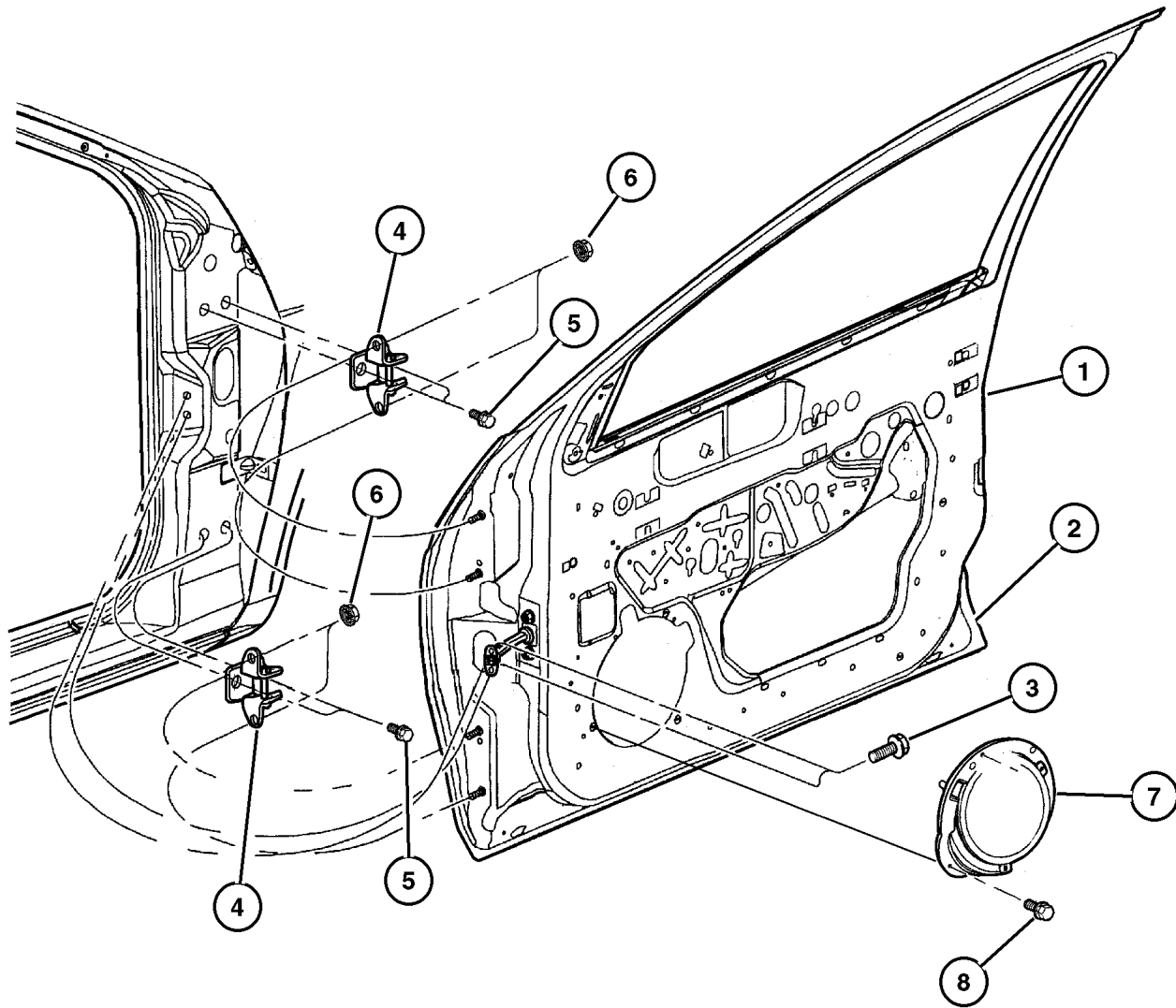
Weatherstrips and Seals

Door, Front and Rear Fig. DPL-605



Door, Front Shell and Hinges Figure DPL-105

ITEM	PART NUMBER	QTY	LINE	SERIES	BODY	DESCRIPTION
1						DOOR, Front
	#5012 460AI	1				Right
	#5012 461AI	1				Left
2						PANEL, Door Outer
	4783 632	1				Right
	4783 633	1				Left
3						SCREW, M6 x 1.00 x 25.00, (NOT SERVICED)
4						HINGE, Front Door
	4783 646AD	2				Lower Left,Upper Right
	4783 648AD	2				Upper Left,Lower Right
5	6506 782AA	8				SCREW AND WASHER, Hex Head, M8x1.25x35, Hinge Attaching, Body Half, Upper
6	6505 591AA	12				NUT & WASHER, M8x1.25, Hinge Attaching
7						SPEAKER, Front Door
	4794 030AC	1				Right
	4794 031AC	1				Left
8	6032 723	4				SCREW, Self Tapping, M4.2x1.69x19.05
-9	5256 594AB	1				LABEL, Lift Point
-10						LABEL, Child Protection Lock, English
	4396 978	2				Window
	5056 072AA	2				Door
-11						LABEL, Child Protection Lock
	4490 361	2				Window
	4615 723	2				Door



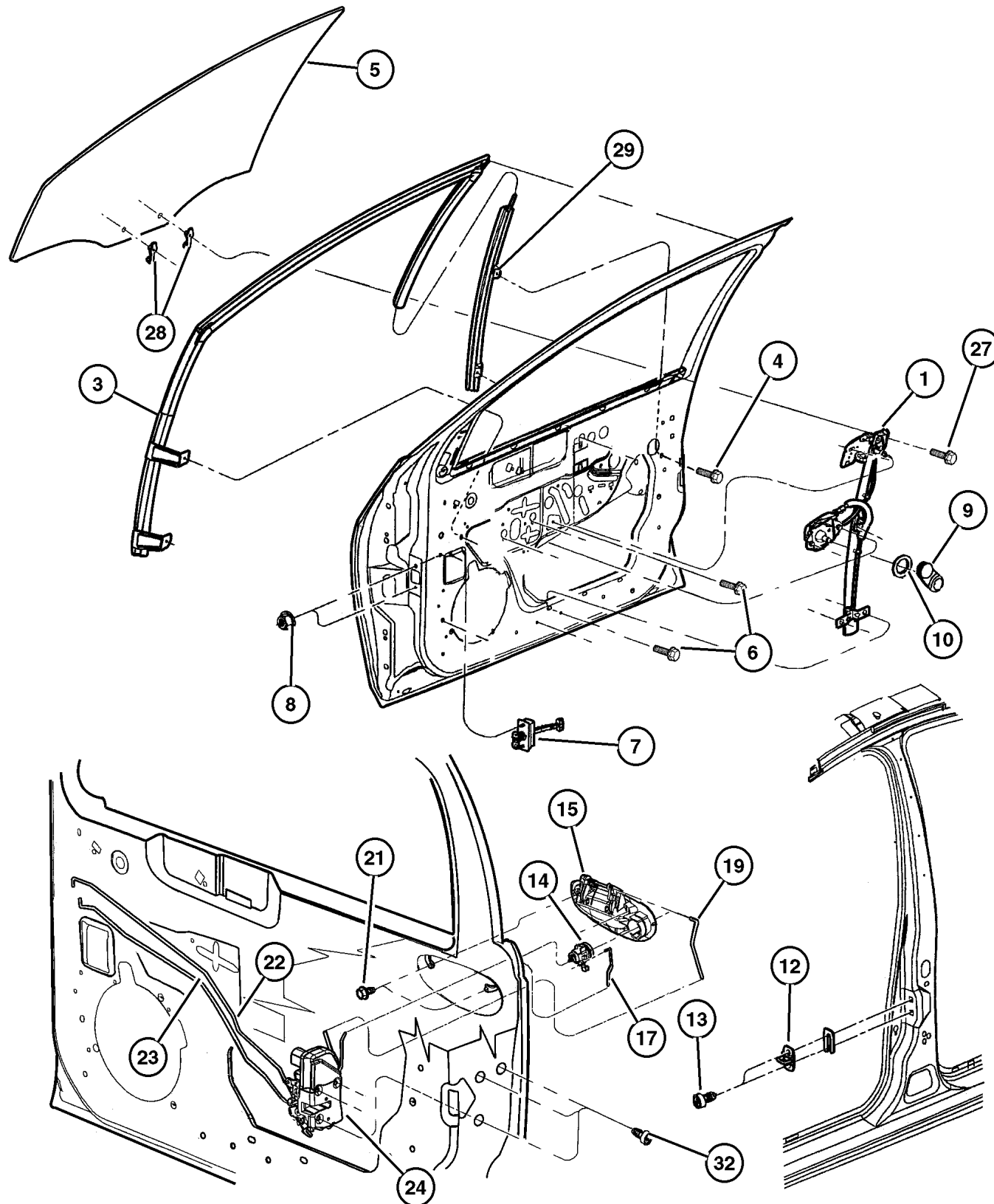
DODGE - CHRYSLER NEON (PL)

SERIES	LINE	BODY	ENGINE	TRANSMISSION
L=Low Line	Z= Chrysler, RHD	41 = 4 Door,	ECB = 2.0L 4 Cyl. , 16V SMPI	DD5 = 5 Speed Manual
H=High Line	D= Dodge	104WB	ECH = 2.0L 4 Cyl, 16V SOHC	DGL = 4 Speed Automatic
S = Special	C= Chrysler		EJD, EJO = 1.6L 4 Cyl 16v, SOHC	DG0 = All Automatics
P = Premium				DBB = All 5 Speed Manual
X = R/T				

AR = Use as required - = Non illustrated part # = New this model year

April 9, 2002

Door, Front Regulator, Glass, Handle and Locking
Figure DPL-107



ITEM	PART NUMBER	QTY	LINE	SERIES	BODY	DESCRIPTION
1						REGULATOR, Front Door Window
	5008 038AI	1				Right
	5008 039AI	1				Left
	5015 216AC	1				Power, without Motor, Right
	5015 217AC	1				Power, without Motor, Left
-2						MOTOR, Window Regulator
	5056 030AB	1				Right
	5056 031AB	1				Left
3						WEATHERSTRIP, Front Door Glass Run
	5008 576AA	1				Right
	5008 577AA	1				Left
4	6506 256AA	4				SCREW AND WASHER, Hex Head, M6x1x20, Glass Run
5						GLASS, Front Door
	5008 114AA	1				Right
	5008 115AA	1				Left
6	6506 383AA	6				SCREW AND WASHER, Hex Head, M6x1x18, Regulator Attaching
7						CHECK, Front Door
	5008 660AC	1				Right
	5008 661AC	1				Left
8	6503 504	4				NUT AND WASHER, Hex, M6x1
9						HANDLE, Window Regulator
	FW80 WL5	2				[L5]
	FW80 XDV	2				[DV]
10						SPACER, Window Regulator
	GY80 WL5	2				[L5]
	GY80 XDV	2				[DV]
-11						BEZEL, Power Window Switch
	QQ32 WL5AC	1	C, D			[L5]
	QQ32 XDVAC	1	C, D			[DV]
	QQ39 WL5AC	1	C, D			[L5], Power Mirror
	QQ39 XDVAC	1	C, D			[DV], Power Mirror
12	4780 259	2				STRIKER, Door
13	6506 749AA	4				SCREW, 6 Lobed, Striker Attaching
14	5011 040AA	1				CYLINDER, Door Lock
15						HANDLE, Exterior Door
	QA38 DX8AC	1				[X8], Right
	QA39 DX8AC	1				[X8], Left
	QA38 PR4AC	1				[R4], Right
	QA39 PR4AC	1				[R4], Left
	QA38 SW1AC	1				[W1], Right
	QA39 SW1AC	1				[W1], Left

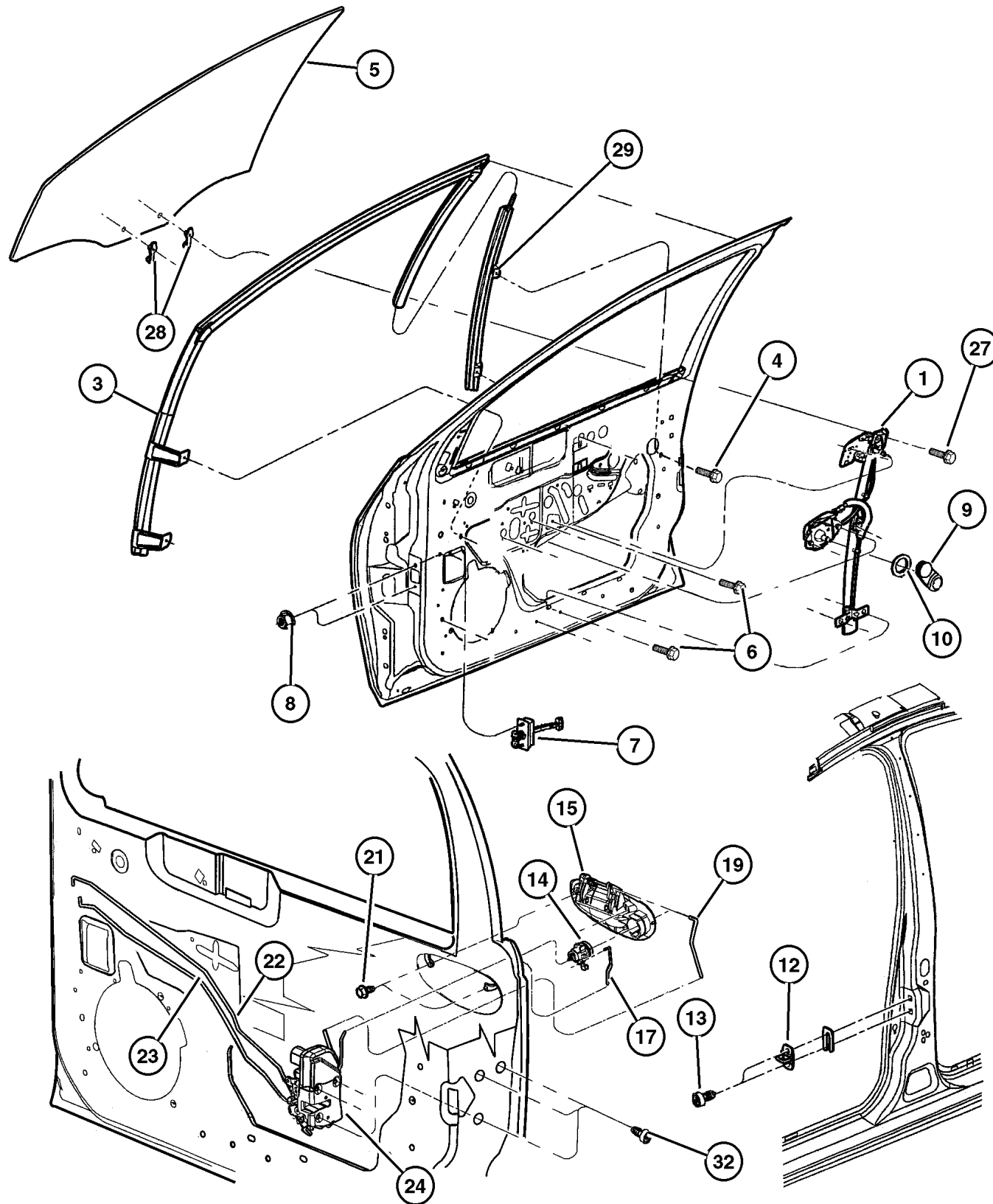
DODGE - CHRYSLER NEON (PL)

SERIES	LINE	BODY	ENGINE	TRANSMISSION
L=Low Line	Z= Chrysler, RHD	41 = 4 Door,	ECB = 2.0L 4 Cyl. , 16V SMPI	DD5 = 5 Speed Manual
H=High Line	D= Dodge	104WB	ECH = 2.0L 4 Cyl, 16V SOHC	DGL = 4 Speed Automatic
S = Special	C= Chrysler		EJD, EJO = 1.6L 4 Cyl 16v, SOHC	DG0 = All Automatics
P = Premium				DBB = All 5 Speed Manual
X = R/T				

AR = Use as required - = Non illustrated part # = New this model year

April 9, 2002

Door, Front Regulator, Glass, Handle and Locking
Figure DPL-107



ITEM	PART NUMBER	QTY	LINE	SERIES	BODY	DESCRIPTION
	QA38 VLBAC	1				[LB], Right
	QA39 VLBAC	1				[LB], Left
	QA38 WB7AC	1				[B7], Right
	QA39 WB7AC	1				[B7], Left
	QA38 WS2AC	1				[S2], Right
	QA39 WS2AC	1				[S2], Left
	QA38 XBQAC	1				[BQ], Right
	QA39 XBQAC	1				[BQ], Left
	QA38 XGRAC	1				[GR], Right
	QA39 XGRAC	1				[GR], Left
	QA38 XRVAC	1				[RV], Right
	QA39 XRVAC	1				[RV], Left
	QA38 ZKJAC	1				[KJ], Right
	QA39 ZKJAC	1				[KJ], Left
	QA50 DX8AD	1				[X8], Keyless Entry, Right
	QA50 PR4AD	1				[R4], Keyless Entry, Right
	QA50 SW1AD	1				[W1], Keyless Entry, Right
	QA50 VLBAD	1				[LB], Keyless Entry, Right
	QA50 VYHAD	1				[YH], Keyless Entry, Right
	QA50 WB7AD	1				[B7], Keyless Entry, Right
	QA50 WS2AD	1				[S2], Keyless Entry, Right
	QA50 XBQAD	1				[BQ], Keyless Entry, Right
	QA50 XGRAD	1				[GR], Keyless Entry, Right
	QA50 XRVAD	1				[RV], Keyless Entry, Right
	QA50 ZBJAD	1				[BJ], Keyless Entry, Right
	QA50 ZKJAD	1				[KJ], Keyless Entry, Right
-16						HANDLE, Inside Remote Control
	QH46 WL5AB	1				[L5], Right
	QH47 WL5AB	1				[L5], Left
	QH46 XDVAB	1				[DV], Right
	QH47 XDVAB	1				[DV], Left
	SH96 WL5AC	1				[L5], Chrome, Right
	SH97 WL5AC	1				[L5], Chrome, Left
	SH96 XDVAC	1				[DV], Chrome, Right
	SH97 XDVAC	1				[DV], Chrome, Left
17						LINK, Key Cylinder To Latch
	4783 570	1				Right
	4783 571	1				Left
-18						CLIP, Latch
	4658 444	1				Right
	4658 445	1				Left
19						LINK, Outside Handle To Latch, Front Door

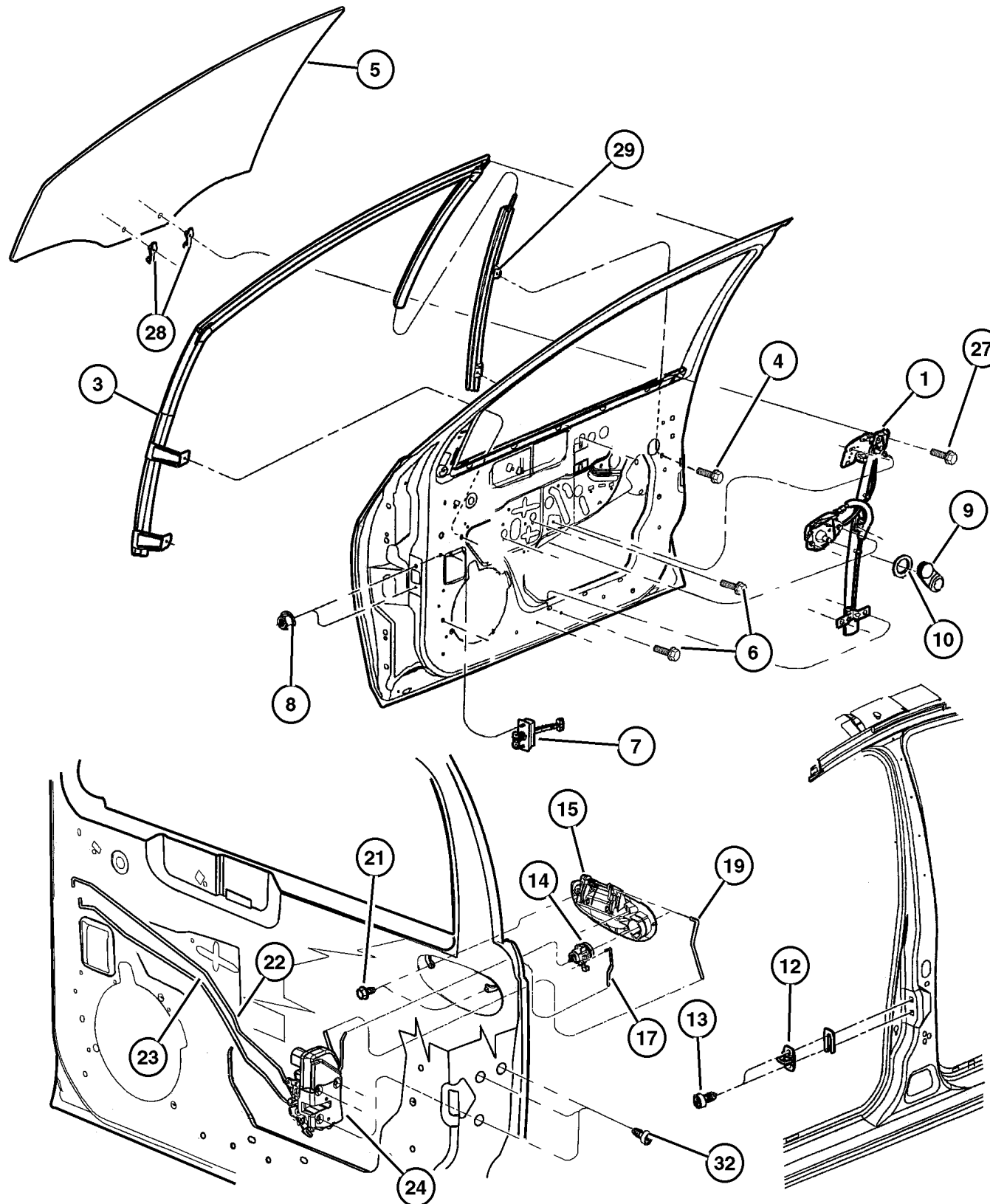
DODGE - CHRYSLER NEON (PL)

SERIES	LINE	BODY	ENGINE	TRANSMISSION
L=Low Line	Z= Chrysler, RHD	41 = 4 Door,	ECB = 2.0L 4 Cyl. , 16V SMPI	DD5 = 5 Speed Manual
H=High Line	D= Dodge	104WB	ECH = 2.0L 4 Cyl, 16V SOHC	DGL = 4 Speed Automatic
S = Special	C= Chrysler		EJD, EJ0 = 1.6L 4 Cyl 16v, SOHC	DG0 = All Automatics
P = Premium				DBB = All 5 Speed Manual
X = R/T				

AR = Use as required - = Non illustrated part # = New this model year

April 9, 2002

**Door, Front Regulator, Glass, Handle and Locking
Figure DPL-107**



ITEM	PART NUMBER	QTY	LINE	SERIES	BODY	DESCRIPTION
	4783 572	1				Right
	4783 573	1				Left
-20						CLIP, Latch Link
	4658 674	1				Red, Right
	4658 675	1				Green, Left
21	6505 533AA	4				SCREW, Hex Flange Head Tapping, M4.8 x 1.59 x 14.00
22						LINK, Key Cylinder To Latch
	4888 834AC	1				Right
	4888 835AC	1				Left
23						LINK, Front Door Inside Remote Control to Latch
	4783 518AB	1				Right
	4783 519AB	1				Left
24						LATCH, Front Door
	5008 620AA	1				Power, Right
	5008 621AA	1				Power, Left
	5008 626AA	1				Manual, Right
	5008 627AA	1				Manual, Left
	#5008 696AA	1				OVERRIDE W/POWER LOCKS, Right
-25	6033 876	6				SCREW, Tapping, M6.3x1.8x38.1, Latch to Door Inner Panel
-26	6503 968	6				NUT AND WASHER, Hex, M6x1, Regulator Motor Attaching
27	6506 457AA	4				SCREW AND WASHER, Hex Head
28	5008 055AA	4				RETAINER, Glass to Liftplate
29						WEATHERSTRIP, Front Door Glass Run
	5257 962AE	1				Right
	5257 963AE	1				Left
-30	6505 591AA	1				NUT & WASHER, M8x1.25, Weatherstrip
-31	6032 723	4				SCREW, Self Tapping, M4.2x1.69x19.05, Inside Remote Mounting, Inside Remote Mounting
32	6033 876	6				SCREW, Tapping, M6.3x1.8x38.1

DODGE - CHRYSLER NEON (PL)

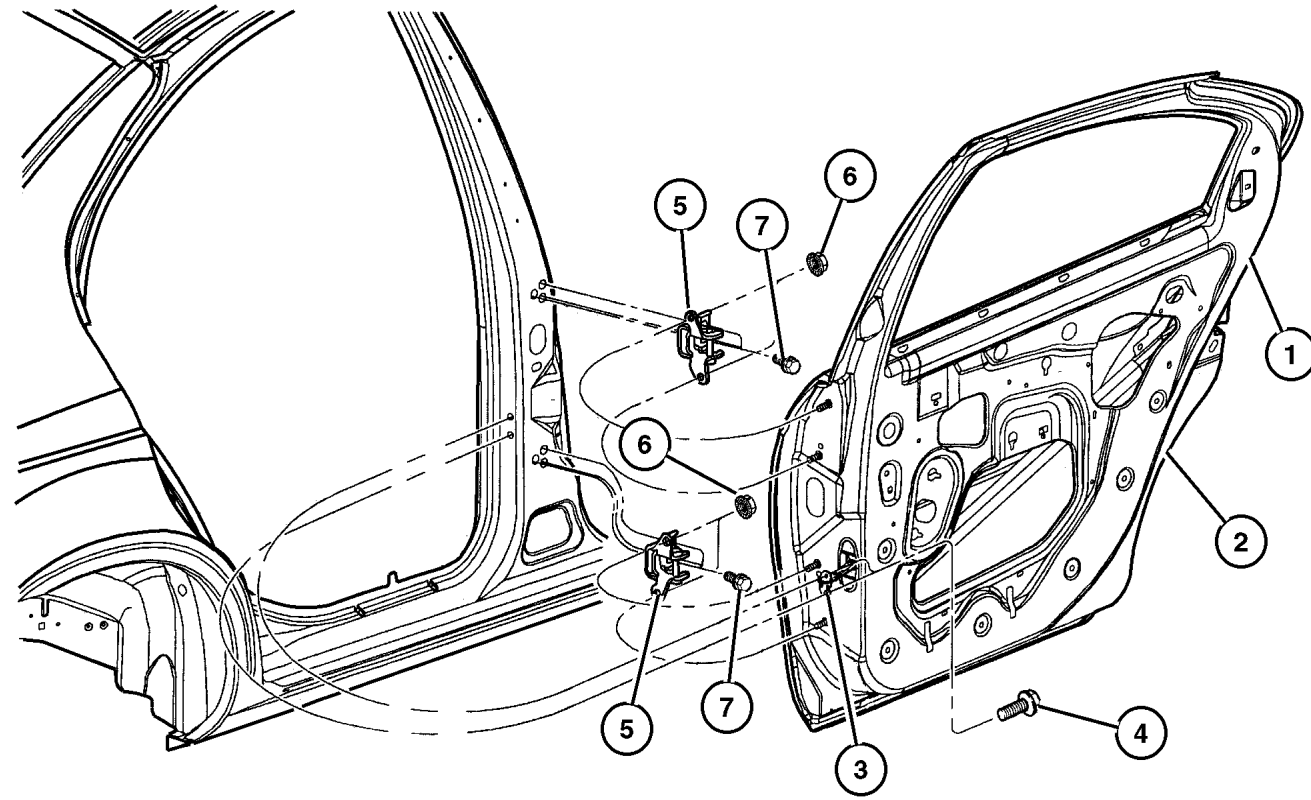
SERIES	LINE	BODY	ENGINE	TRANSMISSION
L=Low Line	Z= Chrysler, RHD	41 = 4 Door,	ECB = 2.0L 4 Cyl. , 16V SMPI	DD5 = 5 Speed Manual
H=High Line	D= Dodge	104WB	ECH = 2.0L 4 Cyl, 16V SOHC	DGL = 4 Speed Automatic
S = Special	C= Chrysler		EJD, EJ0 = 1.6L 4 Cyl 16v, SOHC	DG0 = All Automatics
P = Premium				DBB = All 5 Speed Manual
X = R/T				

AR = Use as required - = Non illustrated part # = New this model year

April 9, 2002

**Door, Rear Shell and Hinges
Figure DPL-205**

ITEM	PART NUMBER	QTY	LINE	SERIES	BODY	DESCRIPTION
1						DOOR, Rear
	5012 462AF	1				Right
	5012 463AF	1				Left
2						PANEL, Door Outer
	4783 628	1				Right
	4783 629	1				Left
3						CHECK, Rear Door
	4783 516AD	1				Right
	4783 517AD	1				Left
4						SCREW, M6X1.00X25.00~~, (NOT SERVICED)
5						HINGE, Rear Door
	4783 788AD	2				Upper Right,Lower Left
	4783 806AD	2				Lower Right,Upper Left
6	6505 591AA	12				NUT & WASHER, M8x1.25, Hinge Attaching, Hinge attaching
7	6506 782AA	12				SCREW AND WASHER, Hex Head, M8x1.25x35, Hinge Attaching
-8	4396 978	2				LABEL, Child Protection Lock, English, Window



DODGE - CHRYSLER NEON (PL)

SERIES	LINE	BODY	ENGINE	TRANSMISSION
L=Low Line	Z= Chrysler, RHD	41 = 4 Door,	ECB = 2.0L 4 Cyl. , 16V SMPI	DD5 = 5 Speed Manual
H=High Line	D= Dodge	104WB	ECH = 2.0L 4 Cyl, 16V SOHC	DGL = 4 Speed Automatic
S = Special	C= Chrysler		EJD, EJO = 1.6L 4 Cyl 16v, SOHC	DG0 = All Automatics
P = Premium				DBB = All 5 Speed Manual
X = R/T				

AR = Use as required - = Non illustrated part # = New this model year

April 9, 2002

Door, Rear Regulator, Glass, Handle and Locking
Figure DPL-207

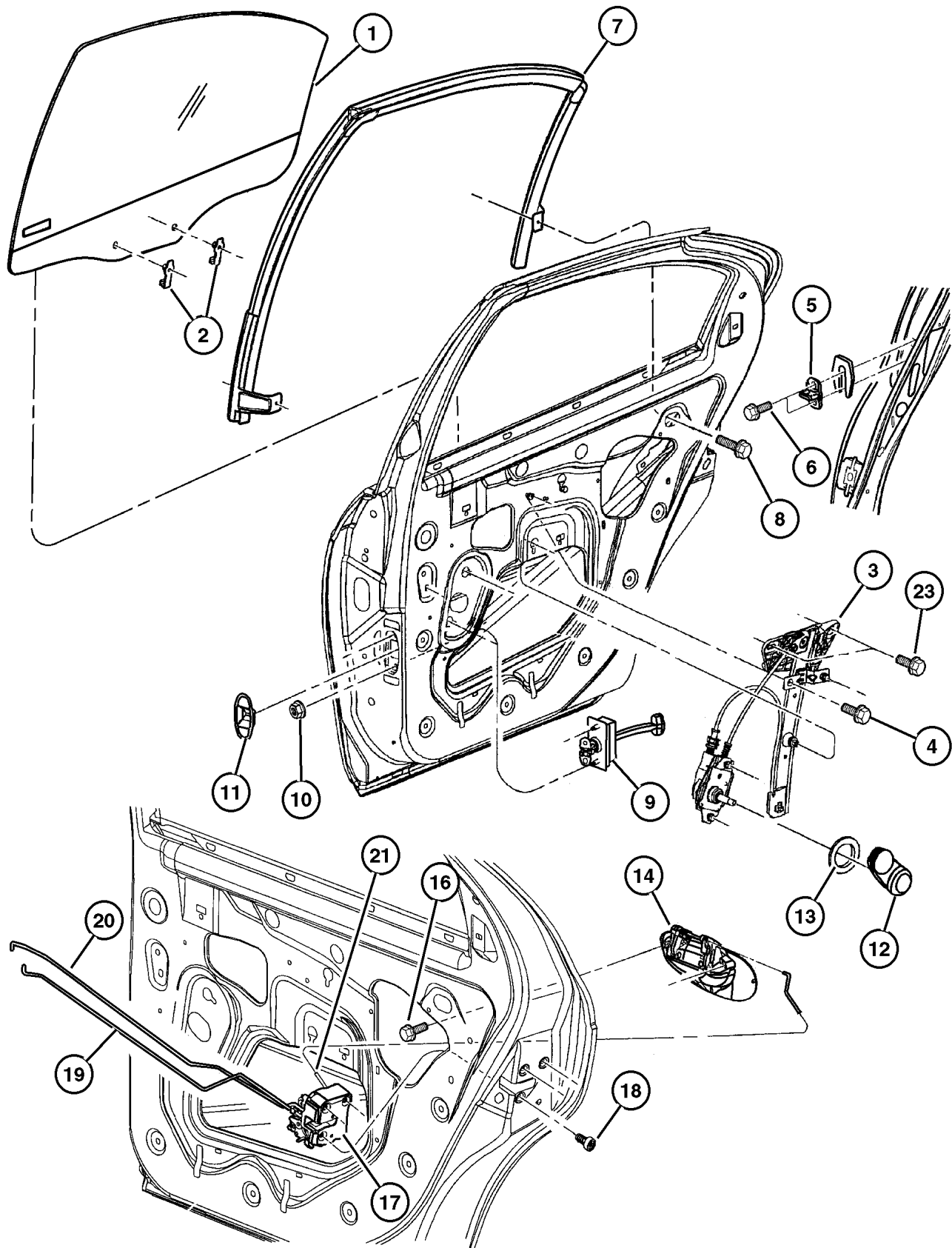
ITEM	PART NUMBER	QTY	LINE	SERIES	BODY	DESCRIPTION
1						GLASS, Rear Door
	5008 116AA	1				Right
	5008 117AA	1				Left
2	5008 055AA	4				RETAINER, Glass to Liftplate
3						REGULATOR, Rear Door Window
	5008 036AJ	1				Right
	5008 037AJ	1				Left
4	6101 010	2				SCREW AND WASHER, Hex Head, M6x1x18
5	4780 259	2				STRIKER, Door
6	6506 749AA	4				SCREW, 6 Lobed
7						WEATHERSTRIP, Rear Door Glass Run
	5008 578AA	1				Right
	5008 579AA	1				Left
8	6506 256AA	4				SCREW AND WASHER, Hex Head, M6x1x20
9						CHECK, Rear Door
	4783 516AD	1				Right
	4783 517AD	1				Left
10	6503 504	4				NUT AND WASHER, Hex, M6x1
11	4888 929AB	2				SEAL, B-Pillar, Check Strap
12						HANDLE, Window Regulator
	FW80 WL5	2				[L5]
	FW80 XDV	2				[DV]
13						SPACER, Window Regulator
	GY80 WL5	2				[L5]
	GY80 XDV	2				[DV]
14						HANDLE, Rear Door Exterior
	QA50 DX8AD	1				[X8], Right
	QA51 DX8AD	1				[X8], Left
	QA50 PR4AD	1				[R4], Right
	QA51 PR4AD	1				[R4], Left
	QA50 SW1AD	1				[W1], Right
	QA51 SW1AD	1				[W1], Left
	QA50 VLBAD	1				[LB], Right
	QA51 VLBAD	1				[LB], Left
	QA50 WB7AD	1				[B7], Right
	QA51 WB7AD	1				[B7], Left
	QA50 WS2AD	1				[S2], Right
	QA51 WS2AD	1				[S2], Left
	QA50 XBQAD	1				[BQ], Right
	QA51 XBQAD	1				[BQ], Left
	QA50 XGRAD	1				[GR], Right
	QA51 XGRAD	1				[GR], Left

DODGE - CHRYSLER NEON (PL)

SERIES	LINE	BODY	ENGINE	TRANSMISSION
L=Low Line	Z= Chrysler, RHD	41 = 4 Door,	ECB = 2.0L 4 Cyl. , 16V SMPI	DD5 = 5 Speed Manual
H=High Line	D= Dodge	104WB	ECH = 2.0L 4 Cyl, 16V SOHC	DGL = 4 Speed Automatic
S = Special	C= Chrysler		EJD, EJ0 = 1.6L 4 Cyl 16v, SOHC	DG0 = All Automatics
P = Premium				DBB = All 5 Speed Manual
X = R/T				

AR = Use as required - = Non illustrated part # = New this model year

April 9, 2002



Door, Rear Regulator, Glass, Handle and Locking
Figure DPL-207

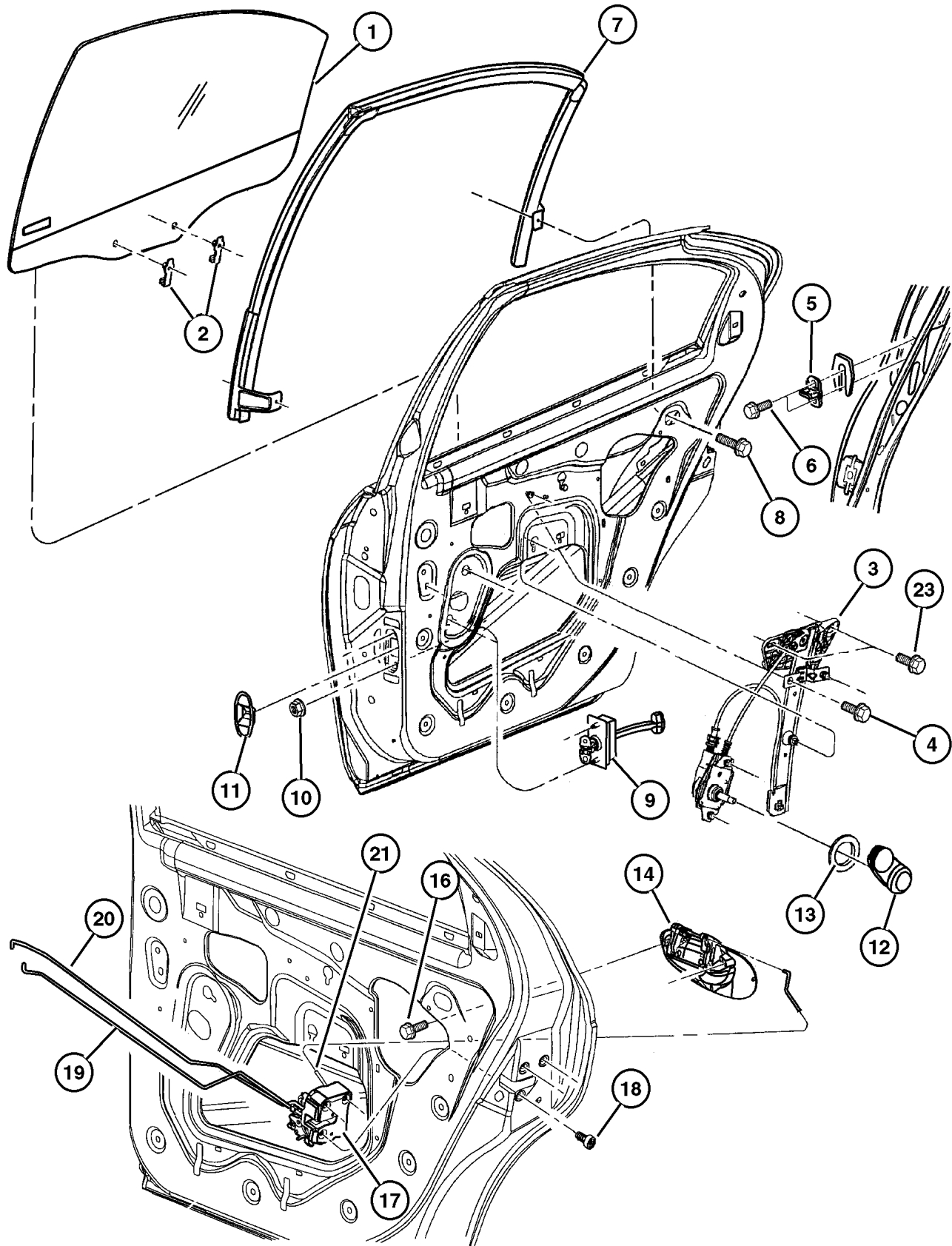
ITEM	PART NUMBER	QTY	LINE	SERIES	BODY	DESCRIPTION
	QA50 XRVAD	1				[RV], Right
	QA51 XRVAD	1				[RV], Left
	QA50 ZKJAD	1				[KJ], Right
	QA51 ZKJAD	1				[KJ], Left
-15						HANDLE, Inside Remote Control
	SH96 XDVAC	1				[DV] - Chrome Handle, Right
	SH97 XDVAC	1				[DV] - Chrome Handle, Left
	SH96 WL5AC	1				[L5] - Chrome Handle, Right
	SH97 WL5AC	1				[L5] - Chrome Handle, Left
	QH46 XDVAB	1				[DV], Right
	QH47 XDVAB	1				[DV], Left
	QH46 WL5AB	1				[L5], Right
	QH47 WL5AB	1				[L5], Left
16	6505 533AA	4				SCREW, Hex Flange Head Tapping, M4.8 x 1.59 x 14.00
17						LATCH, Rear Door
	5008 622AA	1				Power, Right
	5008 623AA	1				Power, Left
	5008 624AA	1				Manual, Right
	5008 625AA	1				Manual, Left
18	6033 876	6				SCREW, Tapping, M6.3x1.8x38.1
19						LINK, Inside handle To Latch, Rear Door
	4783 528AB	1				Right
	4783 529AB	1				Left
20						LINK, Latch Locking
	4783 530AB	1				Right
	4783 531AB	1				Left
21						LINK, Outside Handle To Latch, Rear Door
	4783 526	1				Right
	4783 527	1				Left
-22						CLIP, Latch
	4658 444	1				Purple
	4658 445	1				Orange
23	6506 457AA	4				SCREW AND WASHER, Hex Head
-24	6032 723	4				SCREW, Self Tapping, M4.2x1.69x19.05
-25	6035 837	4				NUT/SPRING, "U"1THD, For .164-15 Screw, Inside Remote Mounting
-26						CLIP, Latch Link, Door Lock
	4658 676	1				Right
		1				Left

DODGE - CHRYSLER NEON (PL)

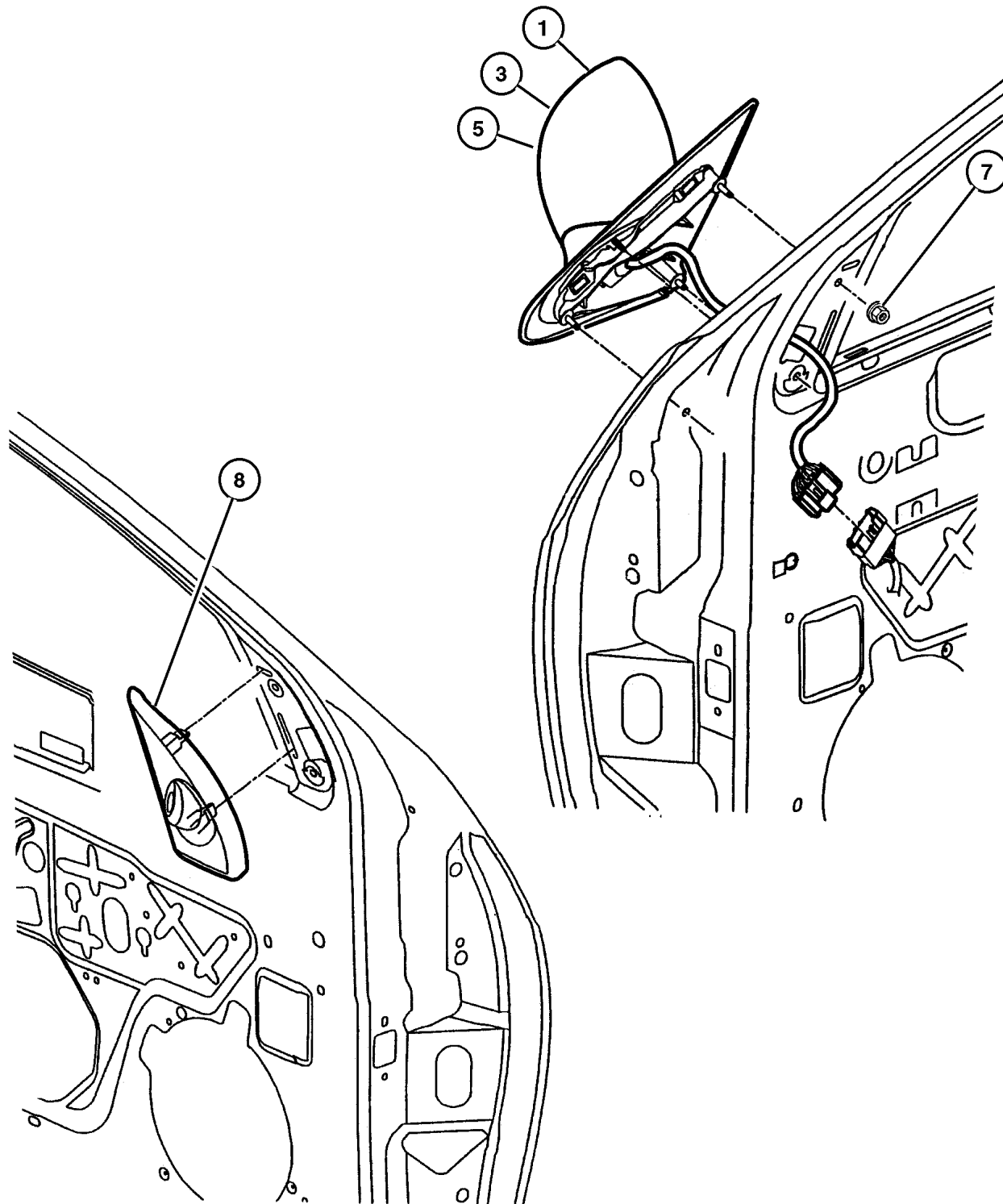
SERIES	LINE	BODY	ENGINE	TRANSMISSION
L=Low Line	Z= Chrysler, RHD	41 = 4 Door,	ECB = 2.0L 4 Cyl. , 16V SMPI	DD5 = 5 Speed Manual
H=High Line	D= Dodge	104WB	ECH = 2.0L 4 Cyl, 16V SOHC	DGL = 4 Speed Automatic
S = Special	C= Chrysler		EJD, EJ0 = 1.6L 4 Cyl 16v, SOHC	DG0 = All Automatics
P = Premium				DBB = All 5 Speed Manual
X = R/T				

AR = Use as required - = Non illustrated part # = New this model year

April 9, 2002



Mirror, Exterior Figure DPL-505



ITEM	PART NUMBER	QTY	LINE	SERIES	BODY	DESCRIPTION
------	-------------	-----	------	--------	------	-------------

NOTE: n key.

Sales Codes: n key.

[GRE] = MIRROR - LEFT n key.

[GRN] = MIRROR - LEFT POWER FOLD-AWAY n key.

[GRS] = MIRROR - LEFT POWER HEATED FOLD AWAY n key.

[GR5] = MIRROR -LEFT PWR HEATED RETRACTABLE n key.

[GSN] = MIRROR - RIGHT POWER FOLD-AWAY n key.

[GSS] = MIRROR - RIGHT PWR HEATED FOLD-AWAY n key.

[GS5] = MIRROR - RIGHT PWR HEATED RETRACTABLE n key.

[GZF] = MIRROR - RIGHT MANUAL n key.

1	4783 560AK	1	C, D			MIRROR, Outside Rearview [GZF], Right,Manual
	4783 561AK	1	C, D			[GRE], Left,Manual
-2	5018 304AA	1	C, D			GLASS, Mirror Replacement [GZF], Right,Manual
	5018 305AA	1	C, D			[GRE], Left,Manual
3						MIRROR, Outside Rearview Electric Foldaway
	#4783 566AM	1	C, D			[GSS,GSN,GTG], Right
	#4783 567AM	1	C, D			[GS5,GRN,GTG], Left
	4783 820AM	1	Z			[GS5], Right
	4783 821AM	1	Z			[GR5], Left
-4						GLASS, Mirror Replacement
	5018 306AA	1	C, D			[GSS,GSN,GTG], Right
	5018 307AA	1	C, D			[GS5,GRN,GTG], Left
	5018 308AA	1	Z			[GS5], Right
	5018 309AA	1	Z			[GR5], Left
5	#4888 782AL	1	C, D			MIRROR, Outside Rearview Electric Foldaway, Arabic, [GSN] ARABIC
-6	5018 297AA	1	C, D			GLASS, Mirror Replacement, [GSN] ARABIC
7	6101 443	6				NUT AND WASHER, Hex, M5x.80
8						BEZEL, Front Door Mirror
	QA53 WL5AF	1	C, D			[L5]
	QA53 XDVAF	1	C, D			[DV]

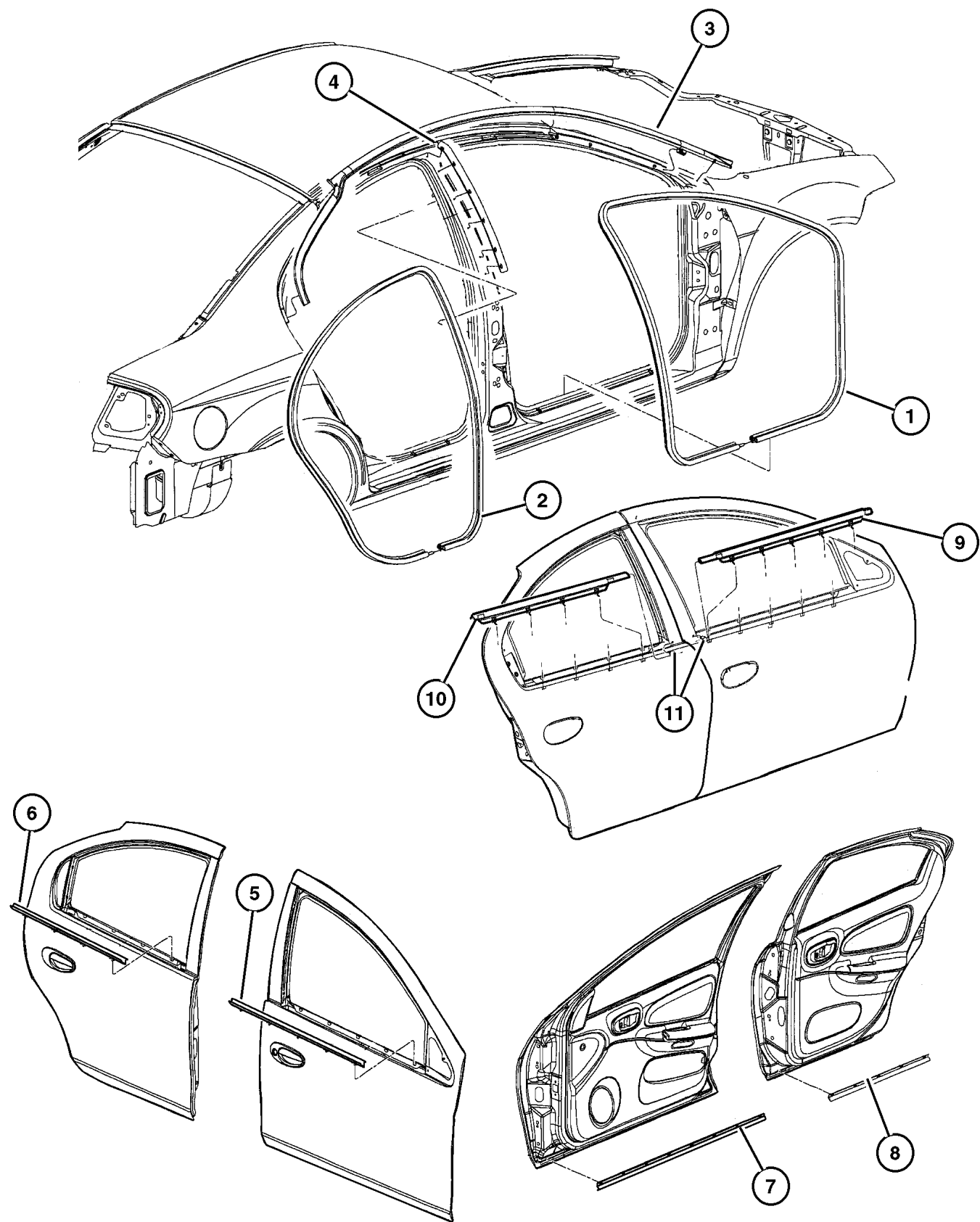
DODGE - CHRYSLER NEON (PL)

SERIES	LINE	BODY	ENGINE	TRANSMISSION
L=Low Line	Z= Chrysler, RHD	41 = 4 Door,	ECB = 2.0L 4 Cyl. , 16V SMPI	DD5 = 5 Speed Manual
H=High Line	D= Dodge	104WB	ECH = 2.0L 4 Cyl, 16V SOHC	DGL = 4 Speed Automatic
S = Special	C= Chrysler		EJD, EJ0 = 1.6L 4 Cyl 16v, SOHC	DG0 = All Automatics
P = Premium				DBB = All 5 Speed Manual
X = R/T				

AR = Use as required - = Non illustrated part # = New this model year

April 9, 2002

Door, Front and Rear
Figure DPL-605



ITEM	PART NUMBER	QTY	LINE	SERIES	BODY	DESCRIPTION
1						WEATHERSTRIP, Front Door Opening
	TM11 WL5AC	2				[L5]
	TM11 XXXAC	2				[DV]
2						WEATHERSTRIP, Rear Door Opening
	TM12 WL5AC	2				[L5]
	TM12 XXXAC	2				[DV]
3						WEATHERSTRIP, Door Upper Secondary
	4783 664AG	1				Right
	4783 665AG	1				Left
4						WEATHERSTRIP, Center Pillar
	5008 296AC	1				Right
	5008 297AC	1				Left
5						WEATHERSTRIP, Front Door Belt, Inner
	4783 674AF	1				Right
	4783 675AF	1				Left
6						WEATHERSTRIP, Rear Door Belt, Inner
	4783 676AE	1				Right
	4783 677AE	1				Left
7	4783 666	2				WEATHERSTRIP, Sill Front Secondary
8	4783 668	2				WEATHERSTRIP, Sill Rear Secondary
9						WEATHERSTRIP, Front Door Belt, Outer
	#5027 066AL	1				Right
	#5027 067AL	1				Left
10						WEATHERSTRIP, Rear Door Belt, Outer
	#5027 068AJ	1				Right
	#5027 069AJ	1				Left
11	5008 339AE	4				CLIP, Weatherstrip

DODGE - CHRYSLER NEON (PL)

SERIES	LINE	BODY	ENGINE	TRANSMISSION
L=Low Line	Z= Chrysler, RHD	41 = 4 Door,	ECB = 2.0L 4 Cyl. , 16V SMPI	DD5 = 5 Speed Manual
H=High Line	D= Dodge	104WB	ECH = 2.0L 4 Cyl, 16V SOHC	DGL = 4 Speed Automatic
S = Special	C= Chrysler		EJD, EJ0 = 1.6L 4 Cyl 16v, SOHC	DG0 = All Automatics
P = Premium				DBB = All 5 Speed Manual
X = R/T				

AR = Use as required - = Non illustrated part # = New this model year

April 9, 2002

Group – EPL

Exterior Ornamentation

GROUP EPL - Exterior Ornamentation

Illustration Title

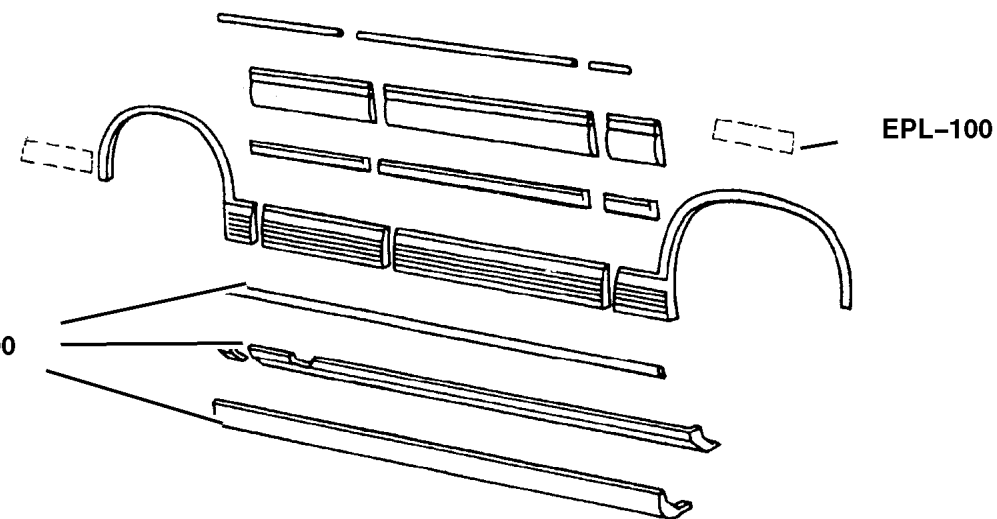
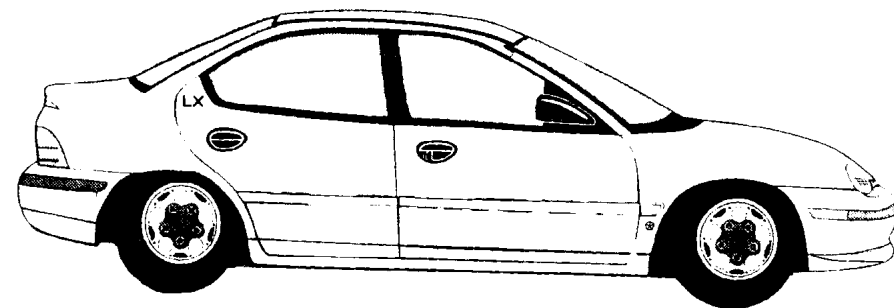
Group-Fig. No.


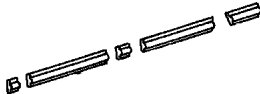
Nameplates

Nameplates Fig. EPL-105

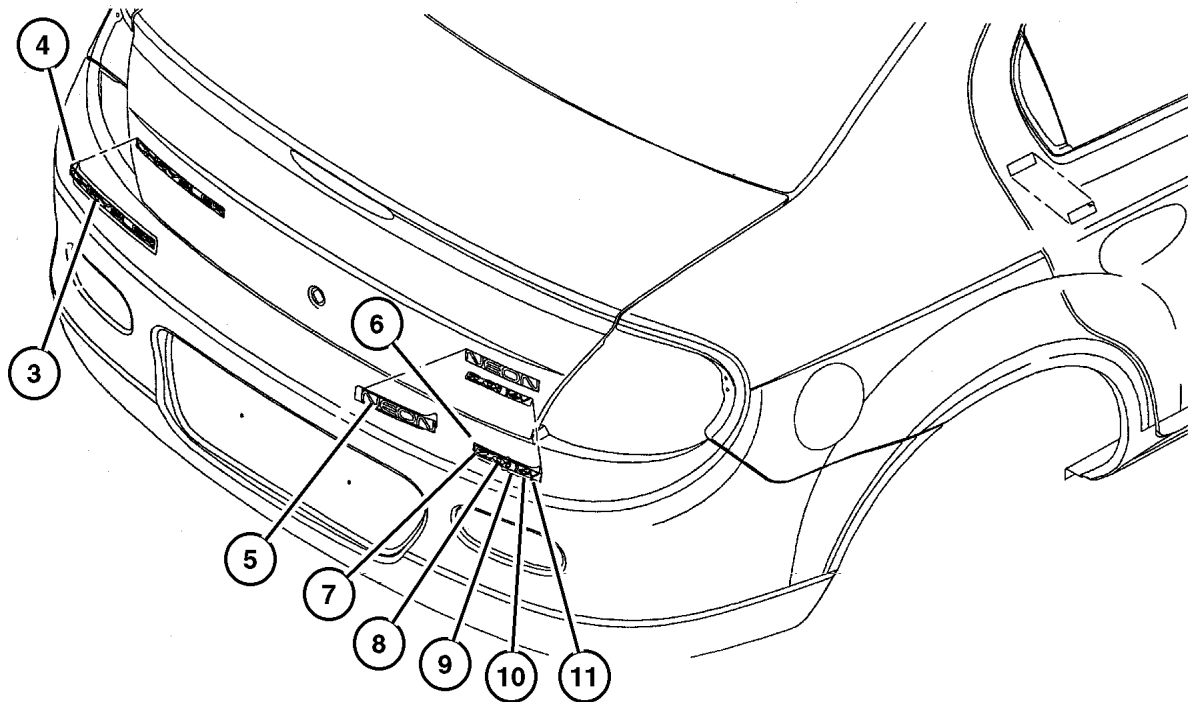
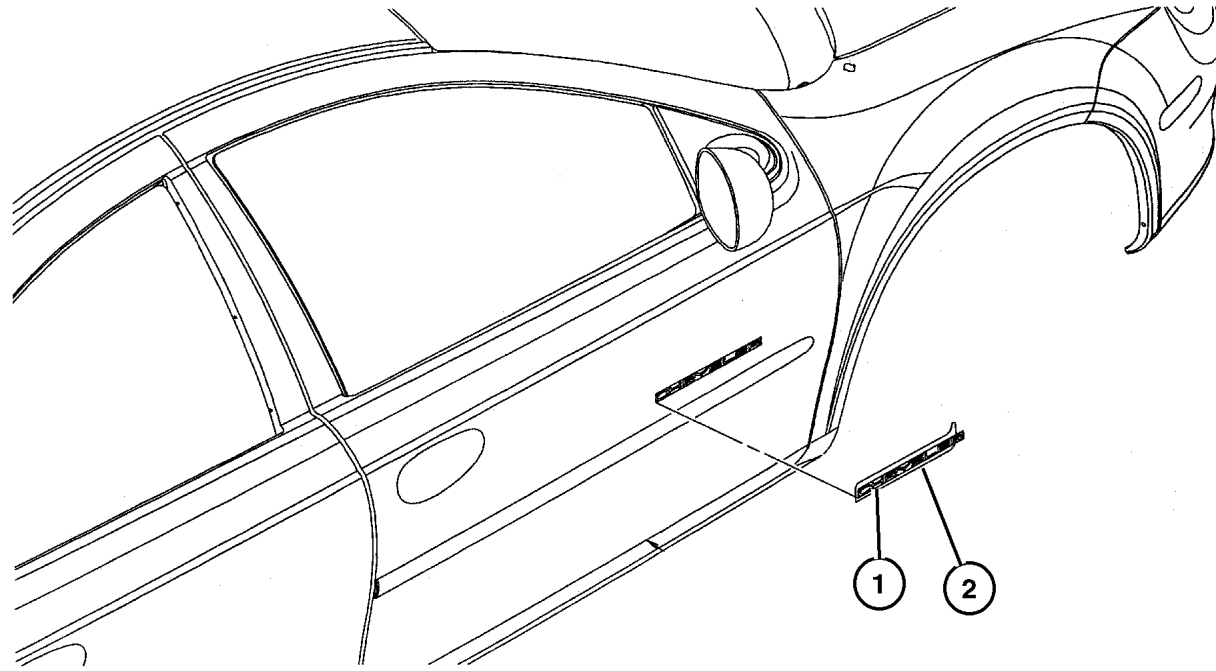
Moldings and Ornamentation

Moldings and Ornamentation Fig. EPL-205



<p>EPL-100 Nameplates</p> 	<p>EPL-200 Moldings and Ornamentation</p> 		
--	--	--	--

Nameplates Figure EPL-105



ITEM	PART NUMBER	QTY	LINE	SERIES	BODY	DESCRIPTION
1	#5303 593AA	2				NAMEPLATE, Jansport
2	#4805 957AA	2				NAMEPLATE, R/T
3	5288 946AC	1				NAMEPLATE, Deck Lid, Dodge
4	5288 949AC	1				NAMEPLATE, Deck Lid, Chrysler
5	5288 948AC	1				NAMEPLATE, Neon
6	4814 973AA	1				NAMEPLATE, DECKLID, ES
7	5288 413	1				NAMEPLATE, SE
8	5288 414	1				NAMEPLATE, DECKLID, LE
9	5288 415	1				NAMEPLATE, LX
10	5288 982AA	1				NAMEPLATE, 2.0I 16V High Output
11	5303 470AA	1				NAMEPLATE, 2.0 Magnum
-12	#4806 063AA	1				NAMEPLATE, SXT

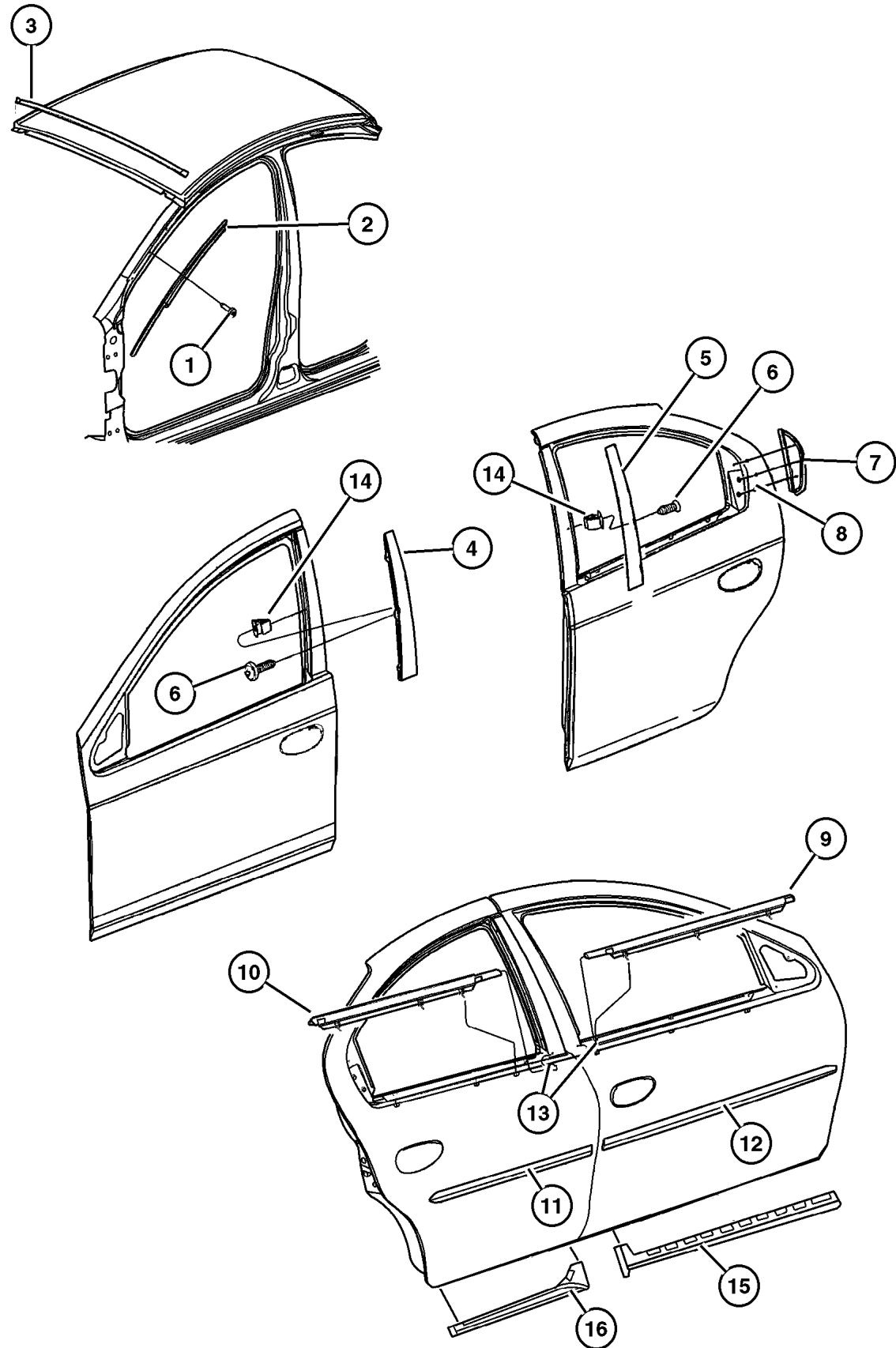
DODGE - CHRYSLER NEON (PL)

SERIES	LINE	BODY	ENGINE	TRANSMISSION
L=Low Line	Z= Chrysler, RHD	41 = 4 Door,	ECB = 2.0L 4 Cyl. , 16V SMPI	DD5 = 5 Speed Manual
H=High Line	D= Dodge	104WB	ECH = 2.0L 4 Cyl, 16V SOHC	DGL = 4 Speed Automatic
S = Special	C= Chrysler		EJD, EJ0 = 1.6L 4 Cyl 16v, SOHC	DG0 = All Automatics
P = Premium				DBB = All 5 Speed Manual
X = R/T				

AR = Use as required - = Non illustrated part # = New this model year

April 9, 2002

**Mouldings and Ornamentation
Figure EPL-205**



ITEM	PART NUMBER	QTY	LINE	SERIES	BODY	DESCRIPTION
1	0154 819	8				SCREW AND WASHER, Round Head, .164-15x.625
2	5303 404AF	1				MOLDING, A-PILLAR Right
	5303 405AF	1				Left
3	5288 571AB	1				MOLDING, Windshield
4	5288 576AG	1				APPLIQUE, B Pillar, Front Right
	5288 577AG	1				Left
5	5288 578AH	1				APPLIQUE, B Pillar, Rear Right
	5288 579AH	1				Left
6	6036 210AA	12				SCREW, Tapping Pan Head, .138-20 x .625
7	4888 606AE	1				APPLIQUE, Rear Door Right
	4888 607AE	1				Left
8	6004 512	6				CLIP, D Pillar Exhauster
9	#5027 066AL	1				WEATHERSTRIP, Front Door Belt Right
	#5027 067AL	1				Left
10	#5027 068AJ	1				WEATHERSTRIP, Rear Door Belt Right
	#5027 069AJ	1				Left
11	QK60 DX8	2				MOLDING, Rear Door [K4X]
	QK60 PR4	2				[K4R]
	QK60 WB7	2				[K4D]
	QK60 XBQ	2				[K4Q]
	QK60 XGR	2				[K4G]
	QK60 XRV	2				[K4V]
	QT74 SW1AA	2				[K4W]
	QT74 WS2AA	2				[K4S]
	QT74 ZKJAA	2				[K4A]
	QT74 VLBAA	2				[K4N]
	QT74 ZBJAA	2				[K4L]
	QT74 VYHAA	2				[K4Y]
12	QK58 DX8	2				MOLDING, Front Door [K4X]
	QK58 PR4	2				[K4R]
	QK58 WB7	2				[K4D]
	QK58 XBQ	2				[K4Q]
	QK58 XGR	2				[K4G]
	QK58 XRV	2				[K4V]

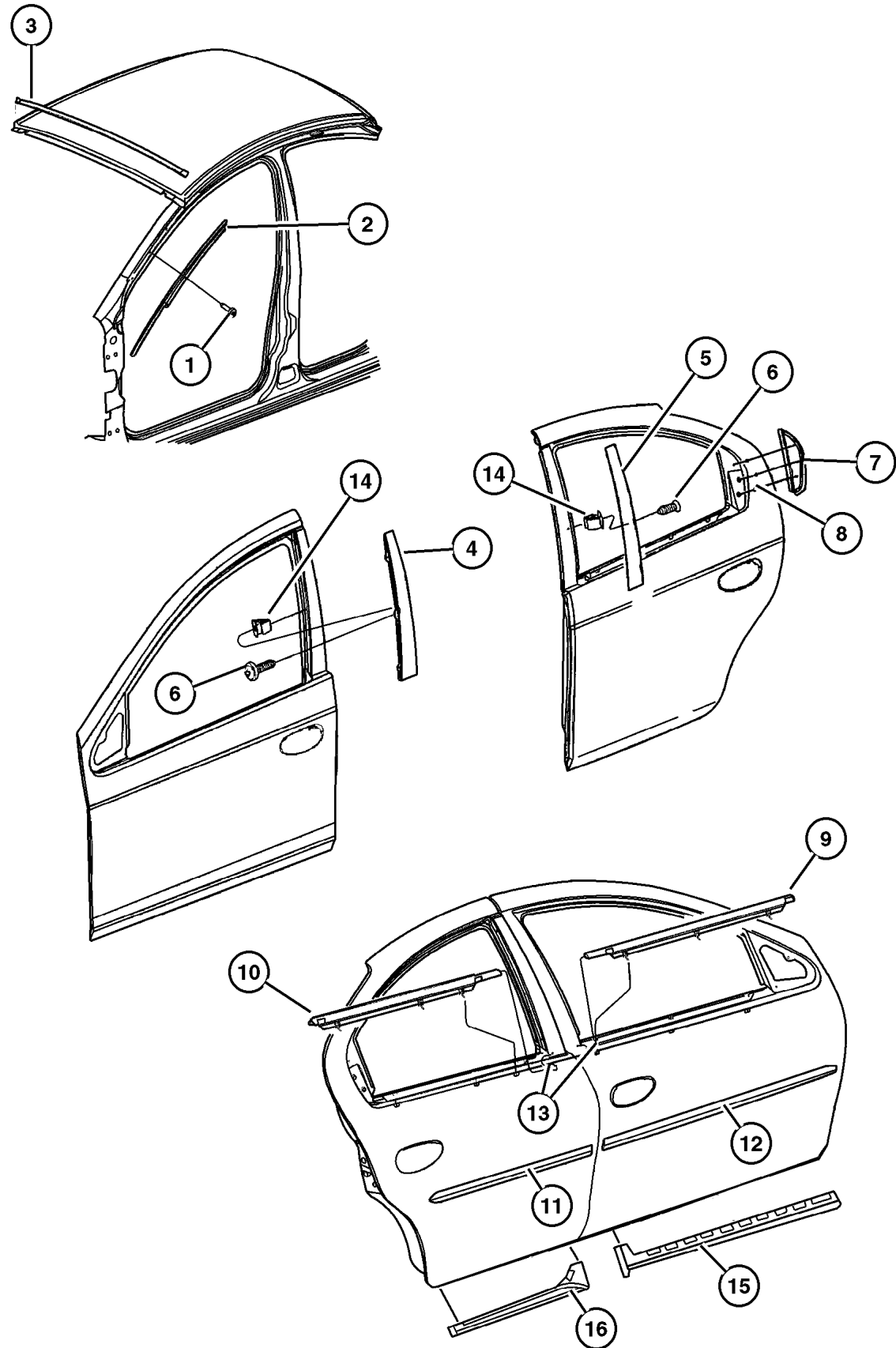
DODGE - CHRYSLER NEON (PL)

SERIES	LINE	BODY	ENGINE	TRANSMISSION
L=Low Line	Z= Chrysler, RHD	41 = 4 Door,	ECB = 2.0L 4 Cyl. , 16V SMPI	DD5 = 5 Speed Manual
H=High Line	D= Dodge	104WB	ECH = 2.0L 4 Cyl, 16V SOHC	DGL = 4 Speed Automatic
S = Special	C= Chrysler		EJD, EJ0 = 1.6L 4 Cyl 16v, SOHC	DG0 = All Automatics
P = Premium				DBB = All 5 Speed Manual
X = R/T				

AR = Use as required - = Non illustrated part # = New this model year

April 9, 2002

Mouldings and Ornamentation
Figure EPL-205



ITEM	PART NUMBER	QTY	LINE	SERIES	BODY	DESCRIPTION
	QT76 SW1AA	2				[K4W]
	QT76 WS2AA	2				[K4S]
	QT76 ZKJAA	2				[K4A]
	QT76 VLBAA	2				[K4N]
	QT76 ZBJAA	2				[K4L]
	QT76 VYHAA	2				[K4Y]
13	5008 339AD	4				CLIP, Weatherstrip
14	6036 209AA	12				NUT, Snap In, .164-18
15						MOLDING, Side Sill, Front
	SW10 DX8AE	1				[K5X], Right
	SW11 DX8AE	1				[K5X], Left
	SW10 PR4AE	1				[K5R], Right
	SW11 PR4AE	1				[K5R], Left
	SW10 SW1AE	1				[K5W], Right
	SW11 SW1AE	1				[K5W], Left
	SW10 WS2AE	1				[K5S], Right
	SW11 WS2AE	1				[K5S], Left
16						MOLDING, Side Sill, Rear
	TN26 DX8AE	1				[K5X], Right
	TN27 DX8AE	1				[K5X], Left
	TN26 PR4AE	1				[K5R], Right
	TN27 PR4AE	1				[K5R], Left
	TN26 SW1AE	1				[K5W], Right
	TN27 SW1AE	1				[K5W], Left
	TN26 WS2AE	1				[K5S], Right
	TN27 WS2AE	1				[K5S], Left

DODGE - CHRYSLER NEON (PL)

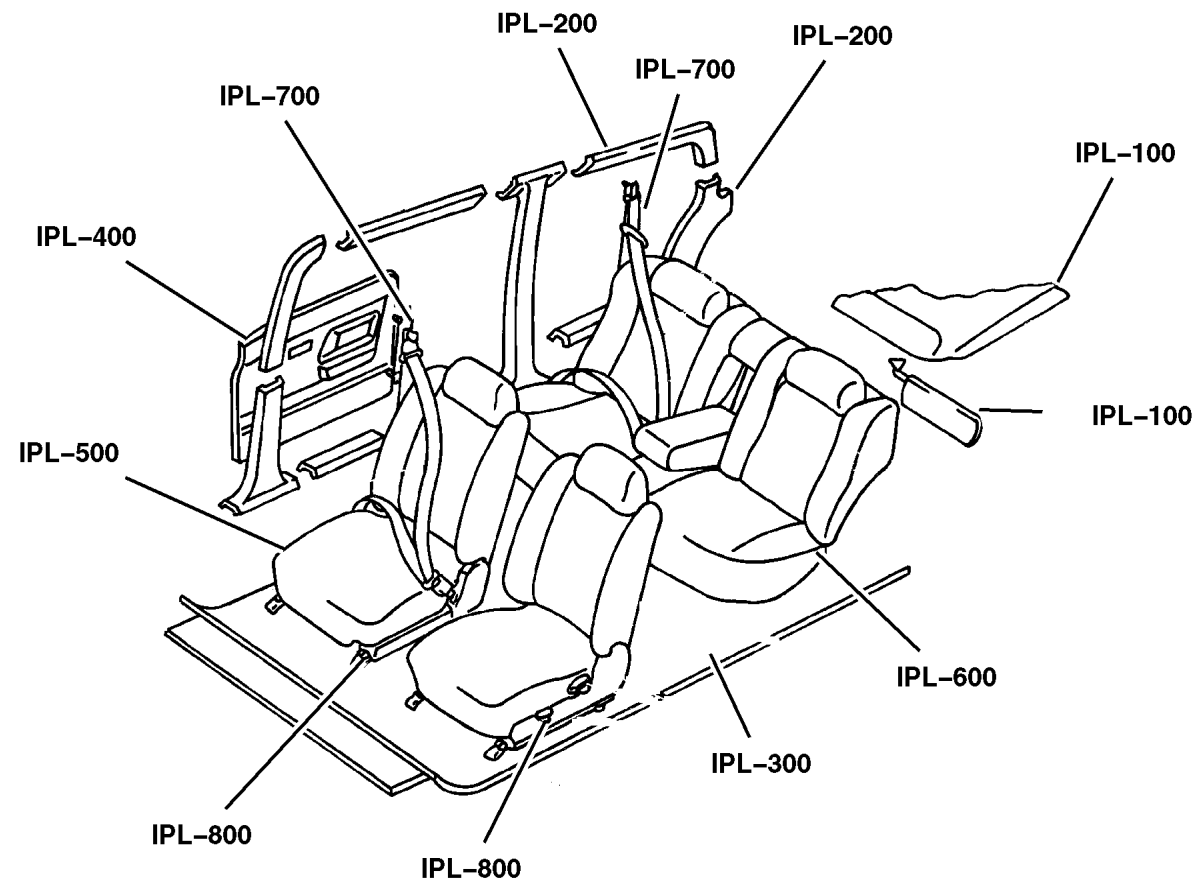
SERIES	LINE	BODY	ENGINE	TRANSMISSION
L=Low Line	Z= Chrysler, RHD	41 = 4 Door,	ECB = 2.0L 4 Cyl. , 16V SMPI	DD5 = 5 Speed Manual
H=High Line	D= Dodge	104WB	ECH = 2.0L 4 Cyl, 16V SOHC	DGL = 4 Speed Automatic
S = Special	C= Chrysler		EJD, EJ0 = 1.6L 4 Cyl 16v, SOHC	DG0 = All Automatics
P = Premium				DBB = All 5 Speed Manual
X = R/T				

AR = Use as required - = Non illustrated part # = New this model year

April 9, 2002

Group - IPL

Interior Trim



GROUP IPL - Interior Trim

Illustration Title

Group-Fig. No.

Headliner and Visor

Headliner, Visor and Shelf Panel Fig. IPL-110

Panel, Moldings, Scuff Plates

Cowl Panels Fig. IPL-210
 A-Pillar Fig. IPL-215
 B-Pillar Fig. IPL-220
 Quarter Trim Panel Fig. IPL-225
 Scuff Plates - Front and Rear Fig. IPL-230

Carpet

Carpet, Mats and Silencers Fig. IPL-310

Door Trim Panels

Door Panels - Front Fig. IPL-410
 Door Panels - Rear Fig. IPL-420

Front Seats and Attaching Parts

Seat Front - Trim Code [K7] Fig. IPL-505
 Seat Front - Trim Code [B7] Fig. IPL-510
 Seat Front - Trim Code [C7] Fig. IPL-515
 Seat Front - Trim Code [CL, KL] Fig. IPL-520
 Seat Front - Trim Code [A7, R7] Fig. IPL-525
 Seat Front - Trim Code [RL, XL] Fig. IPL-530
 Seat Front - Trim Code [L7] Fig. IPL-535
 Seat Reclining - Attaching Parts Fig. IPL-540

Rear Seats-Folding

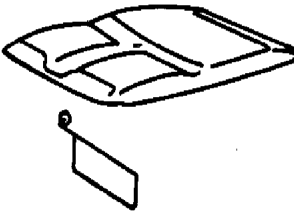
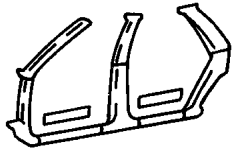
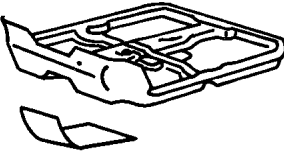
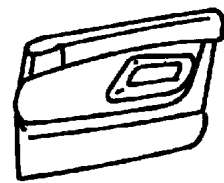
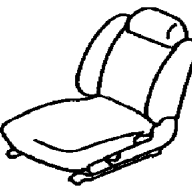
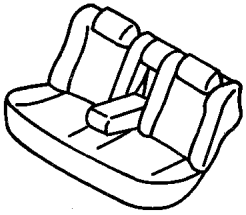
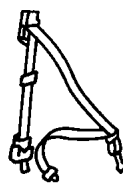
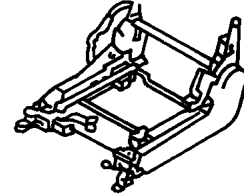
Seat Rear - Trim Code [K7] Fig. IPL-605
 Seat Rear - Trim Code [B7] Fig. IPL-610
 Seat Rear - Trim Code [C7] Fig. IPL-615
 Seat Rear - Trim Code [CL, KL] Fig. IPL-620
 Seat Rear - Trim Code [A7, R7] Fig. IPL-625
 Seat Rear - Trim Code [RL, XL] Fig. IPL-630
 Seat Rear - Trim Code [L7] Fig. IPL-635
 Seat Rear - Attaching Parts Fig. IPL-640

Seat Belts-Front and Rear

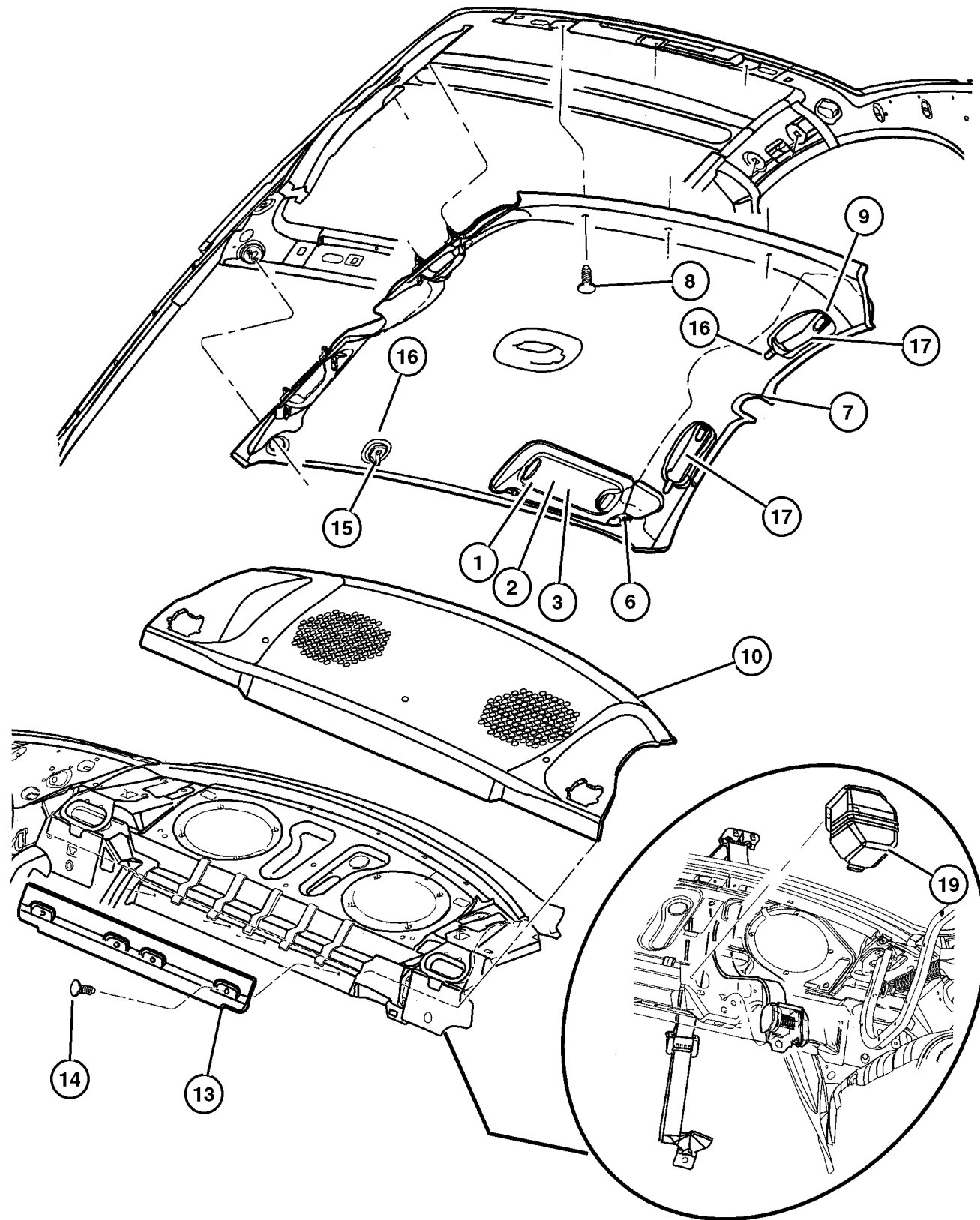
Seat Belts - Front Fig. IPL-710
 Seat Belts - Rear Fig. IPL-720

Adjusters, Covers, Shields, and Risers

Seat Adjusters, Recliners and Side Shields Fig. IPL-810

<p>IPL-100 Headliner and Visor</p> 	<p>IPL-200 Panel, Moldings, Scuff Plates</p> 	<p>IPL-300 Carpet</p> 	<p>IPL-400 Door Trim Panels</p> 
<p>IPL-500 Front Seats and Attaching Parts</p> 	<p>IPL-600 Rear Seats-Folding</p> 	<p>IPL-700 Seat Belts-Front and Rear</p> 	<p>IPL-800 Adjusters, Covers, Shields, and Risers</p> 

Headliner, Visor and Shelf Panel Figure IPL-110



ITEM	PART NUMBER	QTY	LINE	SERIES	BODY	TRIM	DESCRIPTION
------	-------------	-----	------	--------	------	------	-------------

NOTE: Child Seat Teather, The Only Parts Serviced Are Item 11 and 12, The Rest Is Serviced With Item 10 Panel Shelf. n key.

1	TL38 TL2AB	1					VISOR Right
	TL39 TL2AB	1					Without Mirror, Left
	TL35 TL2AB	1					With Mirror, Left
2	TL40 TL2AB	1					VISOR, W/Mirror, Beige, With Exposed Mirror, Right
3	TL36 TL2AB	1					VISOR, Illuminated Right
	TL37 TL2AB	1					Left
-4	6501 966	1					BULB, Sunvisor
-5	4787 437AA	2					LABEL, Air Bag Warning
6	6035 324	4					SCREW, .164-18x.75, Visor Attaching
7	TL41 TL2AA	1					HEADLINER Beige, With Sunroof, Assist Handles and Security Alarm
	TL42 TL2AA	1					Beige, With Sunroof, Assist Handles and Without Security Alarm
	#WR96 TL2AA	1					Beige, With Assist Handles and Security Alarm, Without Sunroof
	#WR97 TL2AA	1					Beige, With Assist Handles and Without Security Alarm and Sunroof
	#TE74 TL2AB	1					Beige, Without Assist Handles, Security Alarm, and Sunroof
8	ST47 TL2AA	3					FASTENER, Headliner
9	QY61 TL2AA	2					HOOK, Coat
10	UG53 WL8AA	1					PANEL, Shelf Trim [L5]
	UG53 XDVAA	1					[DV]
-11	TA52 WL8AA	3					COVER, Anchor, Child Tether Shelf Panel [L5], Cap Child Teather Shelf Panel
	TA52 XDVAA	3					[DV], Cap Child Teather Shelf Panel
-12	5023 227AA	3					PIN
13	UC41 DX9AA	1					MOLDING, Cargo Door, Pass-Through
		1				X7	Black
		1				R7	Black
		1				RL	Black
		1				A7	Black
		1				U7	Black
		1				XL	Black
		1				B7	Black
		1				C7	Black

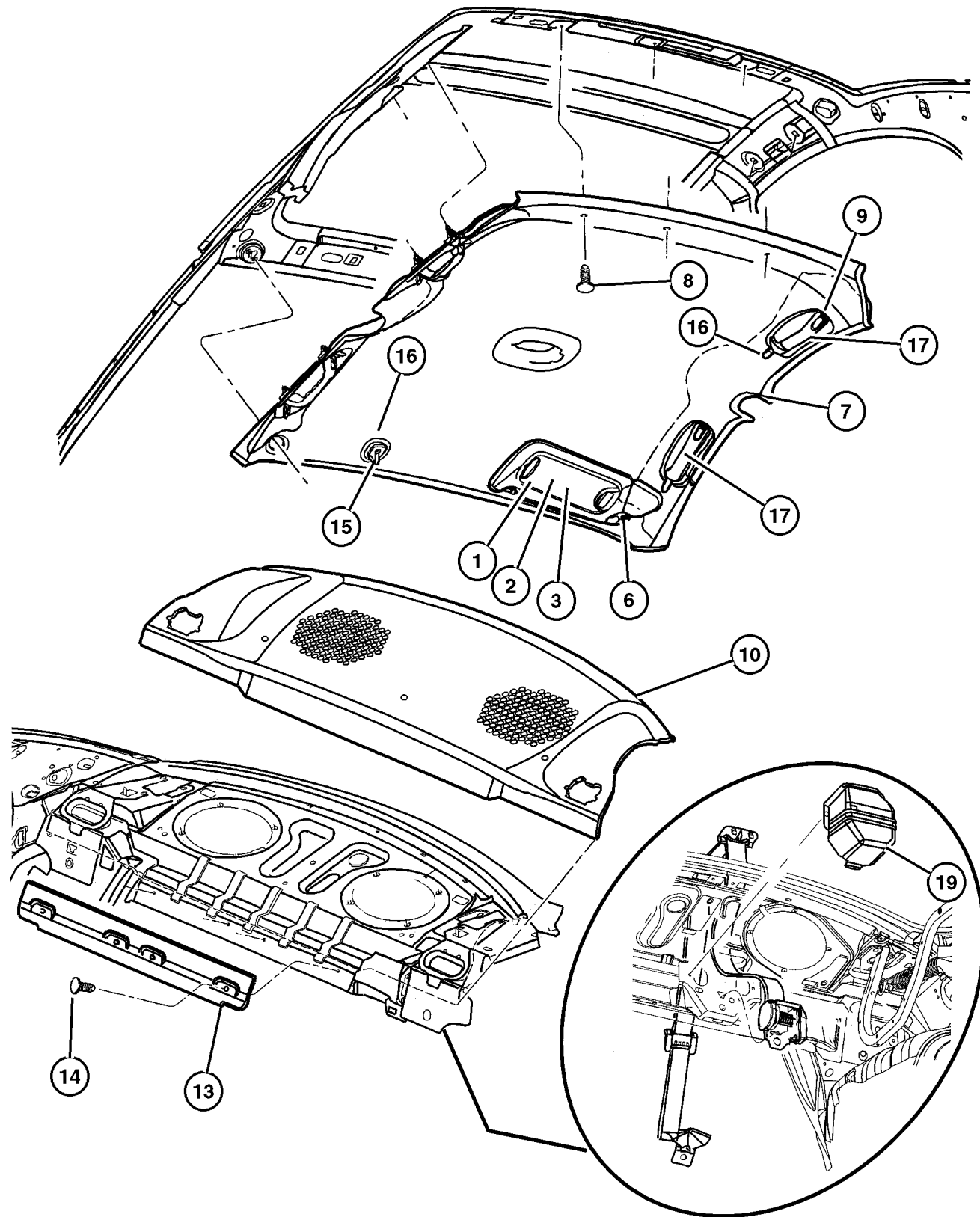
DODGE - CHRYSLER NEON (PL)

SERIES	LINE	BODY	ENGINE	TRANSMISSION
L=Low Line	Z= Chrysler, RHD	41 = 4 Door,	ECB = 2.0L 4 Cyl. , 16V SMPI	DD5 = 5 Speed Manual
H=High Line	D= Dodge	104WB	ECH = 2.0L 4 Cyl, 16V SOHC	DGL = 4 Speed Automatic
S = Special	C= Chrysler		EJD, EJ0 = 1.6L 4 Cyl 16v, SOHC	DG0 = All Automatics
P = Premium				DBB = All 5 Speed Manual
X = R/T				

AR = Use as required - = Non illustrated part # = New this model year

April 9, 2002

Headliner, Visor and Shelf Panel Figure IPL-110



ITEM	PART NUMBER	QTY	LINE	SERIES	BODY	TRIM	DESCRIPTION
		1				CL	Black
		1				L7	Black
		1				KL	Black
14	6030 441	2					PIN, Retainer, Molding Pass-Thru Attaching (Cargo Door)
15	PX40 TL2AB	2					CLIP, Visor
16	6035 324	4					SCREW, .164-18x.75, Visor, Center Support Attaching
17							HANDLE, Roof Grab
	QY62 TL2AD	2					Right & Left
	QY66 TL2AC	1					With Coat Hook, Right Rear
	QY67 TL2AC	1					With Coat Hook, Left Rear
-18							CLIP, Headlining
	4775 742AA	8					Assist Handle Attaching
		2					Headliner To Roof Attaching Visor
		2					Headliner To Roof Attaching Coat Hook
19	4645 951AB	1					COVER, Trunk Room, Trunk Silencer, Noise Vibration Harkness

DODGE - CHRYSLER NEON (PL)

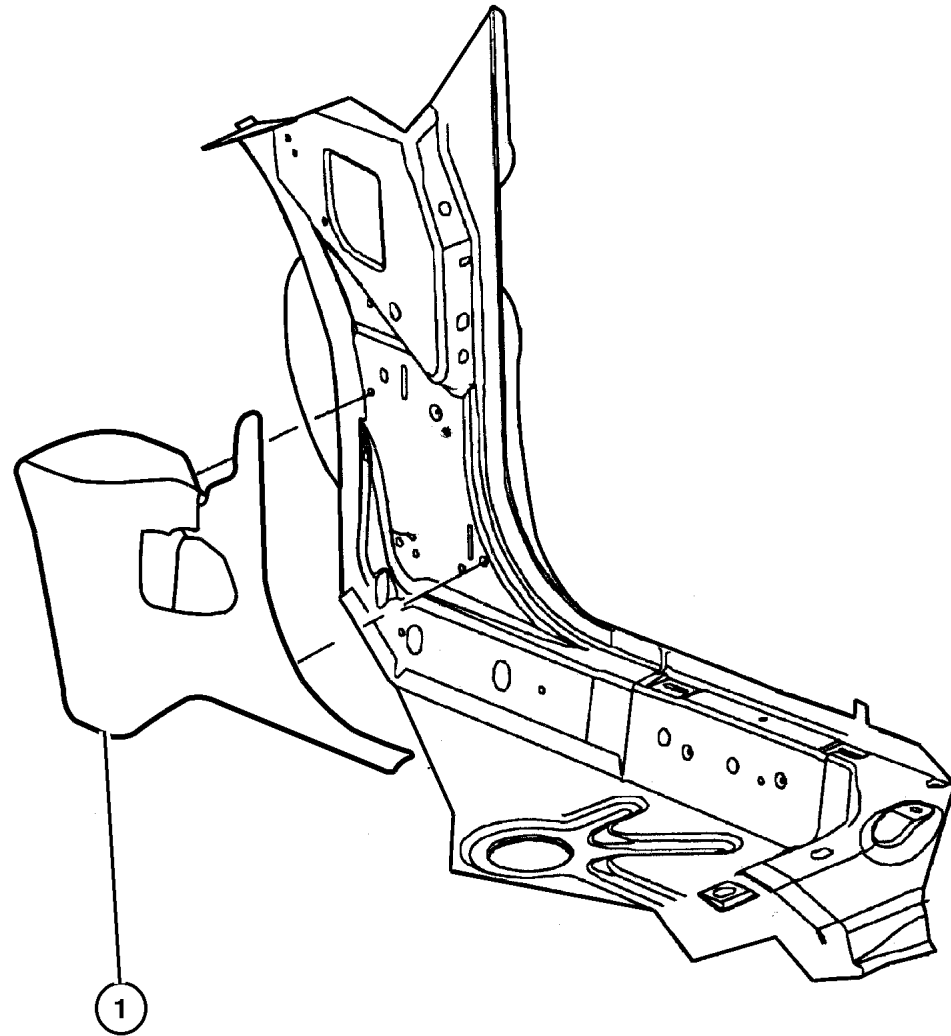
SERIES	LINE	BODY	ENGINE	TRANSMISSION
L=Low Line	Z= Chrysler, RHD	41 = 4 Door,	ECB = 2.0L 4 Cyl. , 16V SMPI	DD5 = 5 Speed Manual
H=High Line	D= Dodge	104WB	ECH = 2.0L 4 Cyl, 16V SOHC	DGL = 4 Speed Automatic
S = Special	C= Chrysler		EJD, EJO = 1.6L 4 Cyl 16v, SOHC	DG0 = All Automatics
P = Premium				DBB = All 5 Speed Manual
X = R/T				

AR = Use as required - = Non illustrated part # = New this model year

April 9, 2002

**Cowl Panels
Figure IPL-210**

ITEM	PART NUMBER	QTY	LINE	SERIES	BODY	TRIM	DESCRIPTION
1							PANEL, Cowl Side Trim
	PY76 WL5AB	1	C, D				[L5], Right
	PY76 XDVAB	1	C, D				[DV], Right
	PY77 WL5AB	1	C, D				[L5], Left
	PY77 XDVAB	1	C, D				[DV], Left
-2	6503 167	3					CLIP, Trim Panel



DODGE - CHRYSLER NEON (PL)

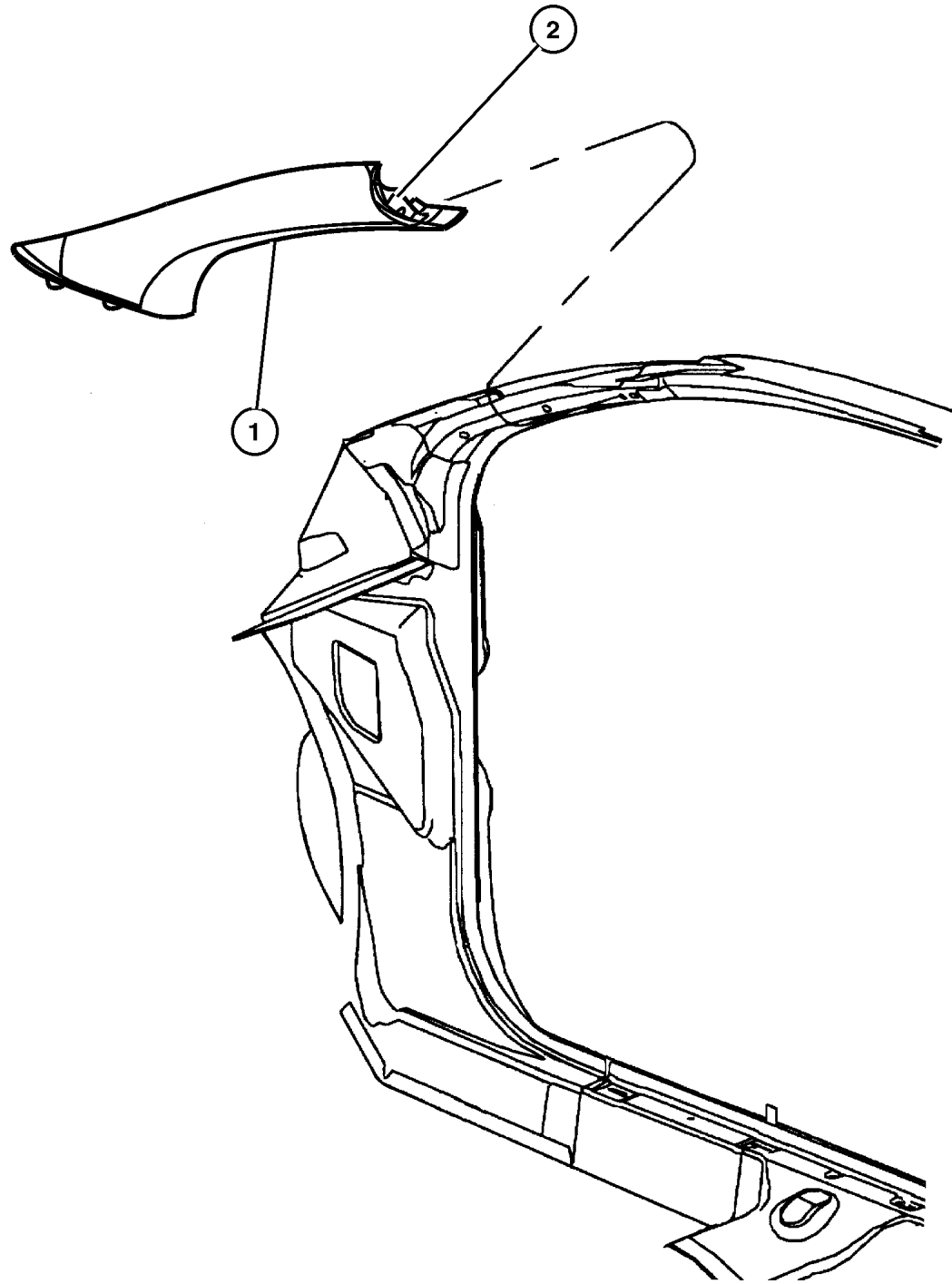
SERIES	LINE	BODY	ENGINE	TRANSMISSION
L=Low Line	Z= Chrysler, RHD	41 = 4 Door,	ECB = 2.0L 4 Cyl. , 16V SMPI	DD5 = 5 Speed Manual
H=High Line	D= Dodge	104WB	ECH = 2.0L 4 Cyl, 16V SOHC	DGL = 4 Speed Automatic
S = Special	C= Chrysler		EJD, EJO = 1.6L 4 Cyl 16v, SOHC	DG0 = All Automatics
P = Premium				DBB = All 5 Speed Manual
X = R/T				

AR = Use as required - = Non illustrated part # = New this model year

April 9, 2002

**A-Pillar
Figure IPL-215**

ITEM	PART NUMBER	QTY	LINE	SERIES	BODY	TRIM	DESCRIPTION
1							COVER, A Pillar Trim
	TZ28 TL2AA	1					Beige, Right
	TZ29 TL2AA	1					Beige, Left
2	4775 846AA	2					CLIP, Pillar Trim



DODGE - CHRYSLER NEON (PL)

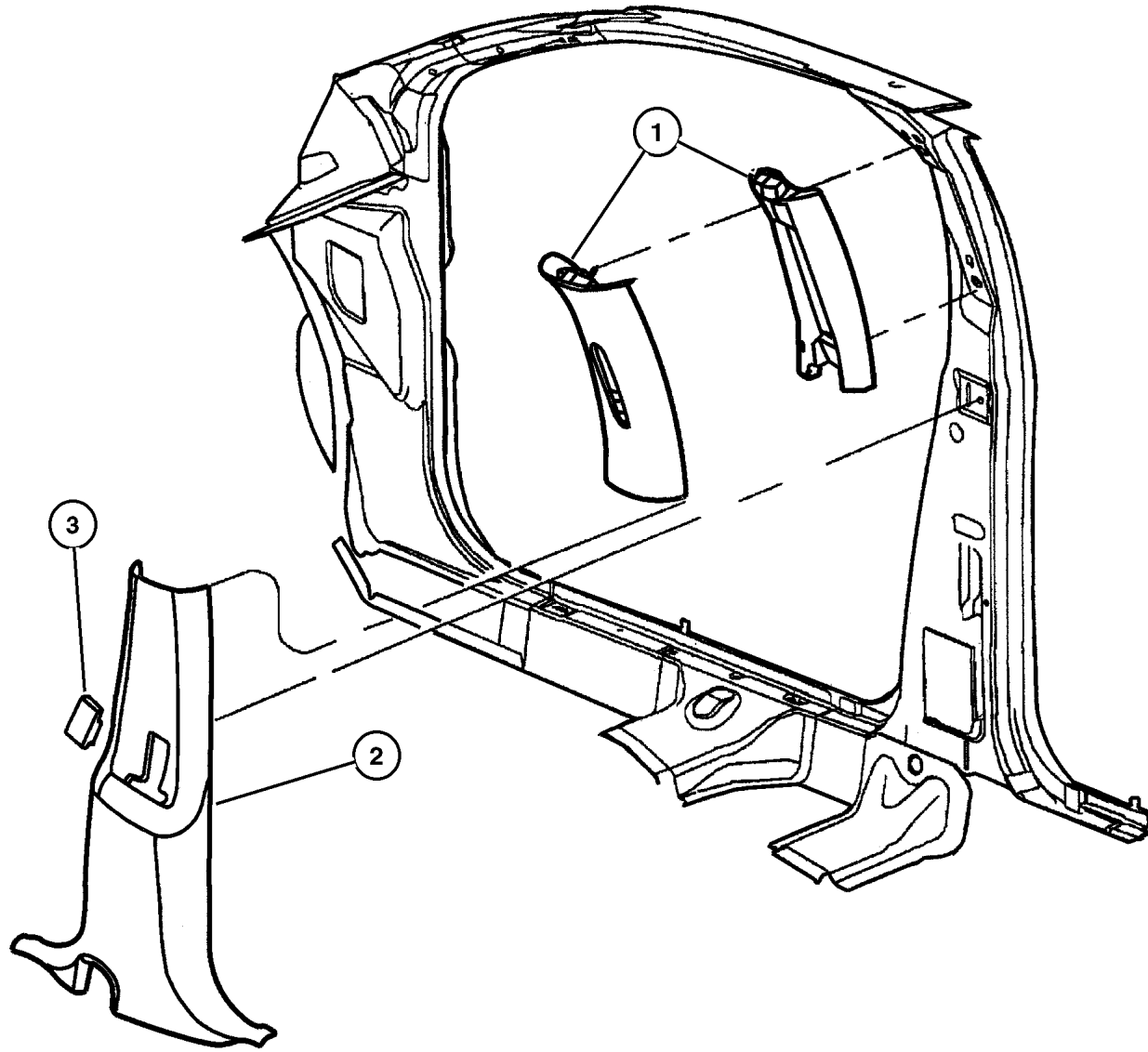
SERIES	LINE	BODY	ENGINE	TRANSMISSION
L=Low Line	Z= Chrysler, RHD	41 = 4 Door,	ECB = 2.0L 4 Cyl. , 16V SMPI	DD5 = 5 Speed Manual
H=High Line	D= Dodge	104WB	ECH = 2.0L 4 Cyl, 16V SOHC	DGL = 4 Speed Automatic
S = Special	C= Chrysler		EJD, EJ0 = 1.6L 4 Cyl 16v, SOHC	DG0 = All Automatics
P = Premium				DBB = All 5 Speed Manual
X = R/T				

AR = Use as required - = Non illustrated part # = New this model year

April 9, 2002

**B-Pillar
Figure IPL-220**

ITEM	PART NUMBER	QTY	LINE	SERIES	BODY	TRIM	DESCRIPTION
1							COVER, C Pillar
	PY72 TL2AB	1					Beige, Right,Upper
	PY73 TL2AB	1					Beige, Left,Upper
2							COVER, C Pillar
	TB54 WL5AA	1					[L5], Right,Lower
	TB54 XDVAA	1					[DV], Right,Lower
	TB55 WL5AA	1					[L5], Left,Lower
	TB55 XDVAA	1					[DV], Left,Lower
3							COVER, Seat Belt Access Hole
	TB58 WL5AA	2					[L5]
	TB58 XDVAA	2					[DV]
-4	6503 104	3					CLIP, Pillar Trim



DODGE - CHRYSLER NEON (PL)

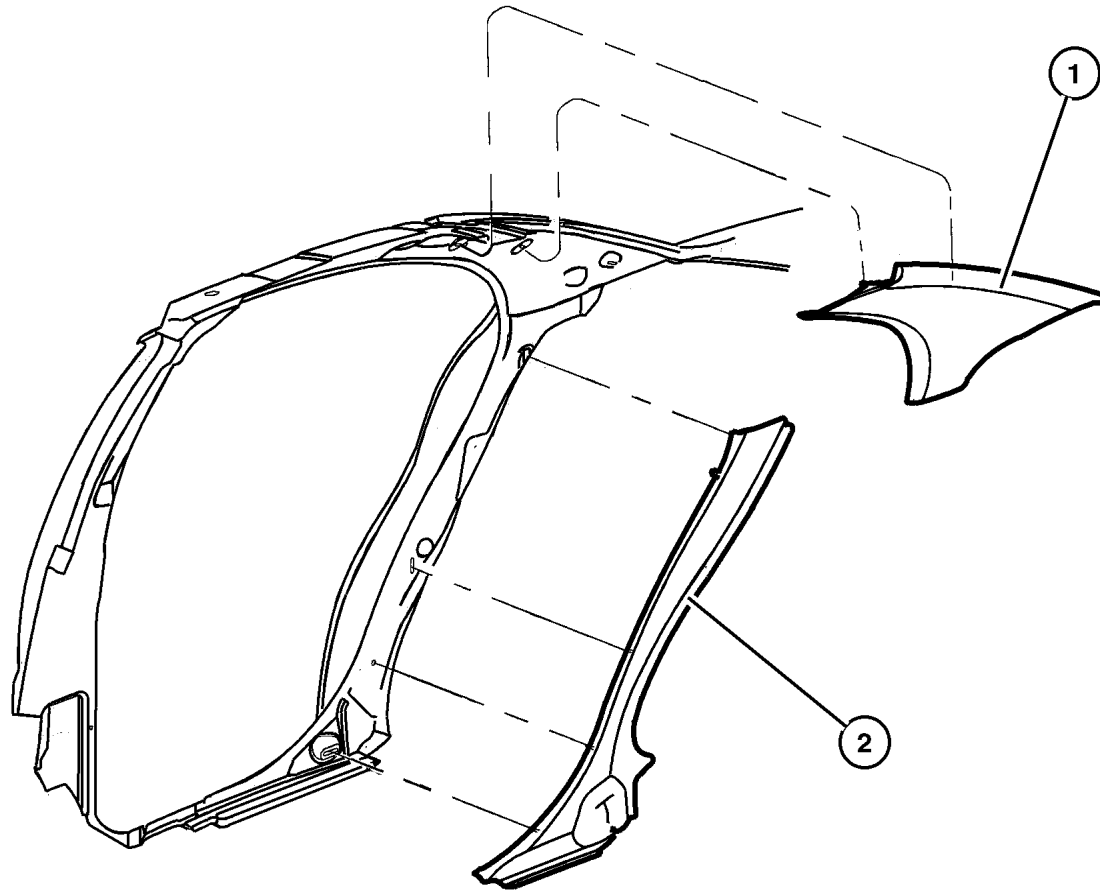
SERIES	LINE	BODY	ENGINE	TRANSMISSION
L=Low Line	Z= Chrysler, RHD	41 = 4 Door,	ECB = 2.0L 4 Cyl. , 16V SMPI	DD5 = 5 Speed Manual
H=High Line	D= Dodge	104WB	ECH = 2.0L 4 Cyl, 16V SOHC	DGL = 4 Speed Automatic
S = Special	C= Chrysler		EJD, EJ0 = 1.6L 4 Cyl 16v, SOHC	DG0 = All Automatics
P = Premium				DBB = All 5 Speed Manual
X = R/T				

AR = Use as required - = Non illustrated part # = New this model year

April 9, 2002

Quarter Trim Panel
Figure IPL-225

ITEM	PART NUMBER	QTY	LINE	SERIES	BODY	TRIM	DESCRIPTION
1							PANEL, Quarter Trim, Upper
	PY80 TL2AC	1					Beige, Right,Upper
	PY81 TL2AC	1					Beige, Left,Upper
2							PANEL, Quarter Trim, Lower
	PY84 XDVAB	1					[DV], Right,Lower
	PY84 WL5AB	1					[L5], Right,Lower
	PY85 WL5AB	1					[L5], Left,Lower
	PY85 XDVAB	1					[DV], Left,Lower
-3	6503 167	3					CLIP, Trim Panel
-4	4775 846AA	2					CLIP, Pillar Trim, Head Impact - Quarter Upper
-5	6503 104	2					CLIP, Pillar Trim, Quarter Panel



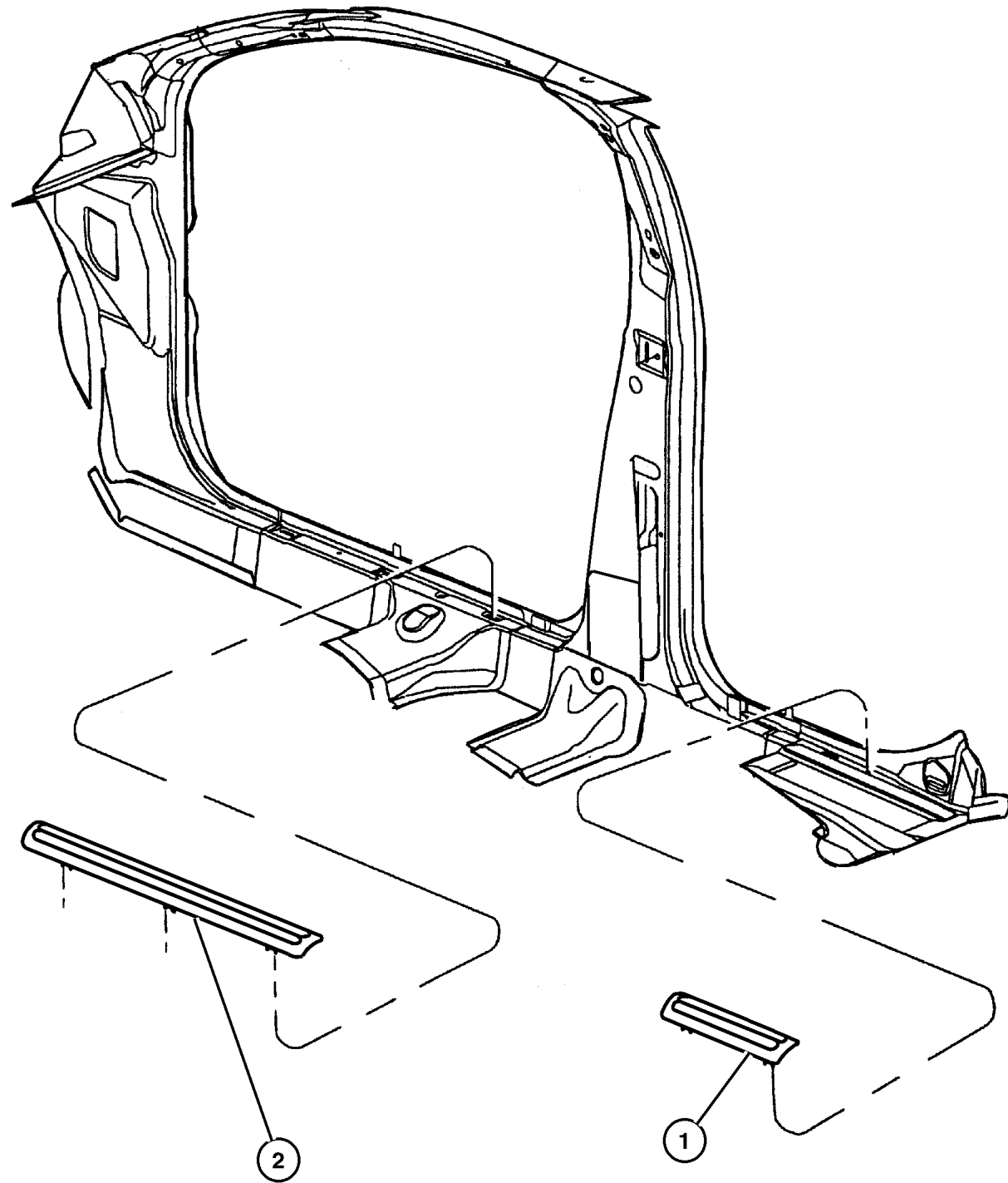
DODGE - CHRYSLER NEON (PL)

SERIES	LINE	BODY	ENGINE	TRANSMISSION
L=Low Line	Z= Chrysler, RHD	41 = 4 Door,	ECB = 2.0L 4 Cyl. , 16V SMPI	DD5 = 5 Speed Manual
H=High Line	D= Dodge	104WB	ECH = 2.0L 4 Cyl, 16V SOHC	DGL = 4 Speed Automatic
S = Special	C= Chrysler		EJD, EJO = 1.6L 4 Cyl 16v, SOHC	DG0 = All Automatics
P = Premium				DBB = All 5 Speed Manual
X = R/T				

AR = Use as required - = Non illustrated part # = New this model year

April 9, 2002

Scuff Plates - Front and Rear
Figure IPL-230



ITEM	PART NUMBER	QTY	LINE	SERIES	BODY	TRIM	DESCRIPTION
1	TN30 WL5AB	1					PLATE, Scuff, Front
	TN30 XDVAB	1					[L5], Right,Front
	TN31 WL5AB	1					[DV], Right,Front
	TN31 XDVAB	1					[L5], Left,Front
2	TN29 WL5AB	2					[DV], Left,Front
	TN29 XDVAB	2					PLATE, Scuff, Rear
							Right & Left,Rear
-3	6503 167	3				[DV], Right & Left,Rear	
							CLIP, Trim Panel, Scuff Plate

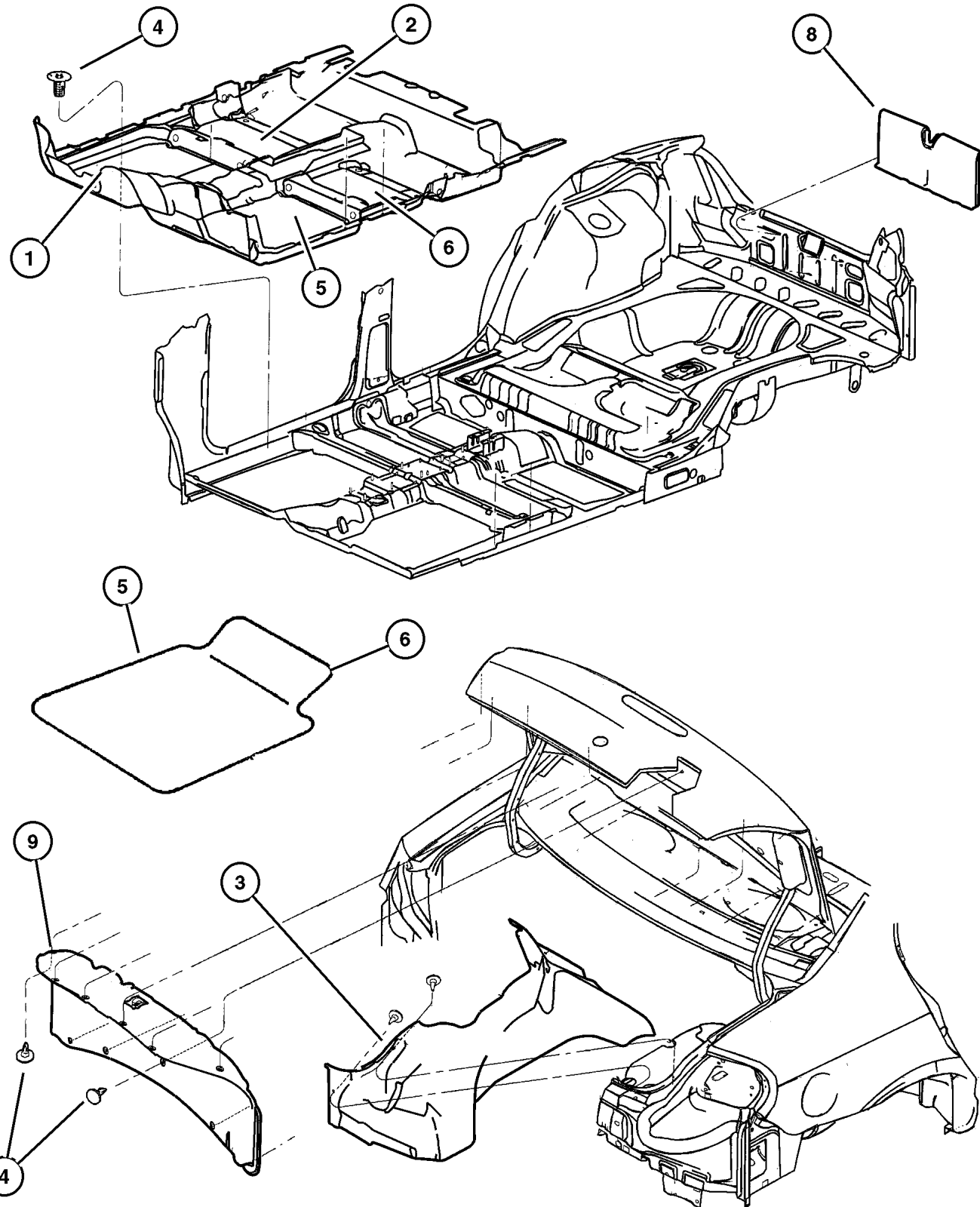
DODGE - CHRYSLER NEON (PL)

SERIES	LINE	BODY	ENGINE	TRANSMISSION
L=Low Line	Z= Chrysler, RHD	41 = 4 Door,	ECB = 2.0L 4 Cyl. , 16V SMPI	DD5 = 5 Speed Manual
H=High Line	D= Dodge	104WB	ECH = 2.0L 4 Cyl, 16V SOHC	DGL = 4 Speed Automatic
S = Special	C= Chrysler		EJD, EJO = 1.6L 4 Cyl 16v, SOHC	DG0 = All Automatics
P = Premium				DBB = All 5 Speed Manual
X = R/T				

AR = Use as required - = Non illustrated part # = New this model year

April 9, 2002

Carpet, Mats and Silencers
Figure IPL-310



ITEM	PART NUMBER	QTY	LINE	SERIES	BODY	TRIM	DESCRIPTION
1							CARPET, Passenger Floor
	#TN47 WL8AB	1	C, D				[L5]
	#TN47 XDVAB	1	C, D				[DV]
	TN48 WL8AA	1	Z				[L5], With 5 Speed Trans.
	TN48 XDVAA	1	Z				[DV], With 5 Speed Trans.
	TN49 WL8AA	1	Z				[L5], With Automatic Trans.
	TN49 XDVAA	1	Z				[DV], With Automatic Trans.
2							SILENCER, Floor Pan
	4740 136	1					Aluminum Foil Facing
	4888 865AC	1					Under Rear Seat, Rear Floor Pan
3	#PZ42 VXLAH	1					CARPET, Luggage Compartment, Dark Charcoal, (One Piece Trunk)
4	6030 441	2					PIN, Retainer, Carpet Attaching
5							MAT KIT, Floor - Front
	8220 4954	1	D, P	H	41		Taupe
	8220 5168	1	D, P	H	41		Taupe, Slush Mat - Oversize
	8220 6439	1					Dark Slate
	8220 6443	1					Dark Slate, Dip Rib Design
	8220 6445	1					Dark Slate, Slush Mat
6							MAT KIT, Floor - Rear
	8220 4956	1	D, P	H	41		Taupe
	8220 5171	1	D, P	H	41		Agate, Slush Mat - Oversize
	8220 6441	1					Dark Slate
-7							CLIP, Floor Mat Retention
	5086 365AA	1	C, D				Driver Side
		1	Z				Driver Side
8	RH74 DX9AC	1					PANEL, Luggage Compartment Side
9	TN46 VXLAD	1					PANEL, Decklid

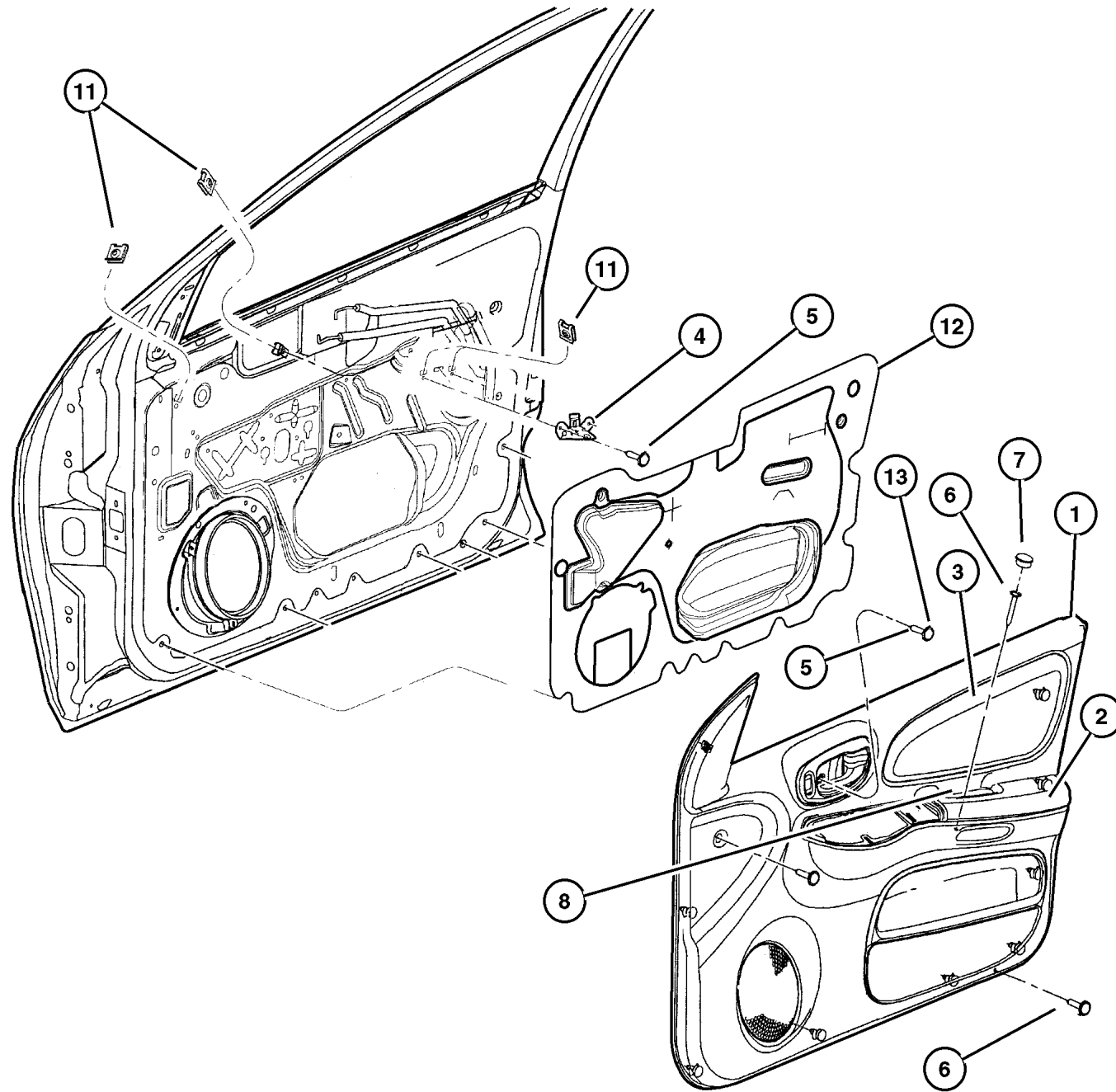
DODGE - CHRYSLER NEON (PL)

SERIES	LINE	BODY	ENGINE	TRANSMISSION
L=Low Line	Z= Chrysler, RHD	41 = 4 Door, 104WB	ECB = 2.0L 4 Cyl. , 16V SMPI	DD5 = 5 Speed Manual
H=High Line	D= Dodge		ECH = 2.0L 4 Cyl, 16V SOHC	DGL = 4 Speed Automatic
S = Special	C= Chrysler		EJD, EJO = 1.6L 4 Cyl 16v, SOHC	DG0 = All Automatics
P = Premium				DBB = All 5 Speed Manual
X = R/T				

AR = Use as required - = Non illustrated part # = New this model year

April 9, 2002

**Door Panels - Front
Figure IPL-410**



ITEM	PART NUMBER	QTY	LINE	SERIES	BODY	TRIM	DESCRIPTION
1							PANEL, Front Door Trim
	PZ14 WL5AK	1				K7	[L5] Without Power Windows and Power Locking Central, Right
	PZ14 XDVAK	1				L7	[DV], Without Power Windows and Power Locking Central, Right
		1				K7	[DV] Without Power Windows and Power Locking Central, Right
	PZ15 WL5AK	1				K7	[L5], Without Power Windows and Power Locking Central, Left
	PZ15 XDVAK	1				L7	[DV], Without Power Windows and Power Locking Central, Left
		1				K7	[DV], Without Power Windows and Power Locking Central, Left
	PZ18 WL5AK	1				K7	[L5], With Power Locking Central Without Power Windows, Right
	PZ18 XDVAK	1				K7	[DV], With Power Locking Central Without Power Windows, Right
		1				L7	[DV], With Power Locking Central and Without Power Windows, Right
	PZ19 WL5AK	1				K7	[L5], With Power Locking Central Without Power Windows, Left
	PZ19 XDVAK	1				K7	[DV], With Power Locking Central Without Power Windows, Left
		1				L7	[DV], With Power Locking Central and Without Power Windows, Left
	PZ52 1L5AK	1				K7	[L5], With Power Locking Central and With Power Windows, Right
	PZ52 XDVAK	1				L7	[DV], With Power Locking Central and With Power Windows, Right
		1				K7	[DV], With Power Locking Central and With Power Windows, Right
	PZ53 1L5AK	1				K7	[L5], With Power Locking Central and With Power Windows, Left
	PZ53 XDVAK	1				K7	[DV], With Power Locking Central and With Power Windows, Left
		1				L7	[DV], With Power Locking Central and With Power Windows, Left
	SJ18 1L5AF	1				C7	[L5], With Power Locking Central and With Power Windows, Right
		1				B7	[L5], With Power Locking Central and With Power Windows, Right

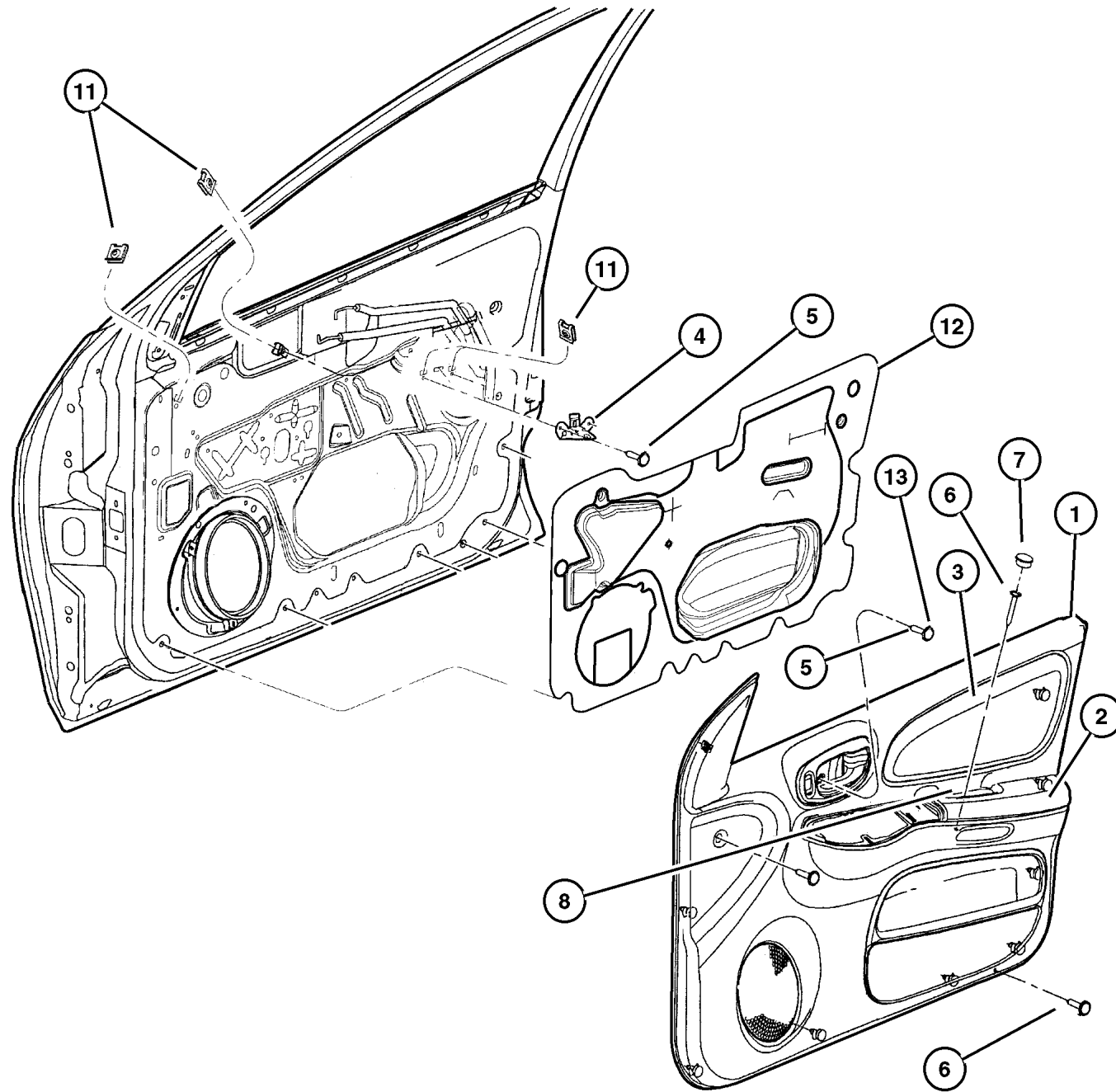
DODGE - CHRYSLER NEON (PL)

SERIES	LINE	BODY	ENGINE	TRANSMISSION
L=Low Line	Z= Chrysler, RHD	41 = 4 Door,	ECB = 2.0L 4 Cyl. , 16V SMPI	DD5 = 5 Speed Manual
H=High Line	D= Dodge	104WB	ECH = 2.0L 4 Cyl, 16V SOHC	DGL = 4 Speed Automatic
S = Special	C= Chrysler		EJD, EJ0 = 1.6L 4 Cyl 16v, SOHC	DG0 = All Automatics
P = Premium				DBB = All 5 Speed Manual
X = R/T				

AR = Use as required - = Non illustrated part # = New this model year

April 9, 2002

**Door Panels - Front
Figure IPL-410**



ITEM	PART NUMBER	QTY	LINE	SERIES	BODY	TRIM	DESCRIPTION
	SJ18 XDVAF	1				C7	[DV], With Power Locking Central and With Power Windows, Right
		1				B7	[DV], With Power Locking Central and With Power Windows, Right
	SJ19 1L5AF	1				C7	[L5], With Power Locking Central and With Power Windows, Left
		1				B7	[L5], With Power Locking Central and With Power Windows, Left
	SJ19 XDVAF	1				C7	[DV], With Power Locking Central and With Power Windows, Left
		1				B7	[DV], With Power Locking Central and With Power Windows, Left
	SL30 1DVAF	1				XL	[DV], Right
	SL30 1DVAG	1				CL	[DV], Right
	SL30 1L5AF	1				XL	[L5], Right
	SL30 1L5AG	1				CL	[L5], Right
	SL31 1DVAF	1				XL	[DV], Left
	SL31 1DVAG	1				CL	[DV], Left
	SL31 1L5AF	1				XL	[L5], Left
	SL31 1L5AG	1				CL	[L5], Left
	SV00 XDVAA	1				RL	[DV], Right
		1				KL	[DV], Right
	SV01 XDVAA	1				KL	[DV], Left
		1				RL	[DV], Left
	TZ16 XDVAA	1				A7	[DV], Without Power Locking Central, Right
		1				A7	[DV], Right
	TZ17 XDVAA	1				A7	[DV], Without Power Locking Central, Left
		1				A7	[DV], Left
	WC62 XDVAA	1				A7	[DV], With Power Locking Central, Right
	WC63 XDVAA	1				A7	[DV], With Power Locking Central, Left
	#SJ22 1L5AC	1				R7	[L5], Right
	#SJ22 XDVAC	1				R7	[DV], Right
	#SJ23 1L5AC	1				R7	[L5], Left
	#SJ23 XDVAC	1				R7	[DV], Left
2							ARMREST, Door, Serviced With Door Panel Only, (NOT SERVICED)
3							BOLSTER, Front Door, Serviced With Door Panel Only, (NOT SERVICED)
4	4775 558	2					BRACKET, Door Trim Panel, Attaching
5	0153 921	2					SCREW, Pull Cup Bracket Attaching
6	6032 723	2					SCREW, Self Tapping, M4.2x1.69x19.05, Door Panel Attaching

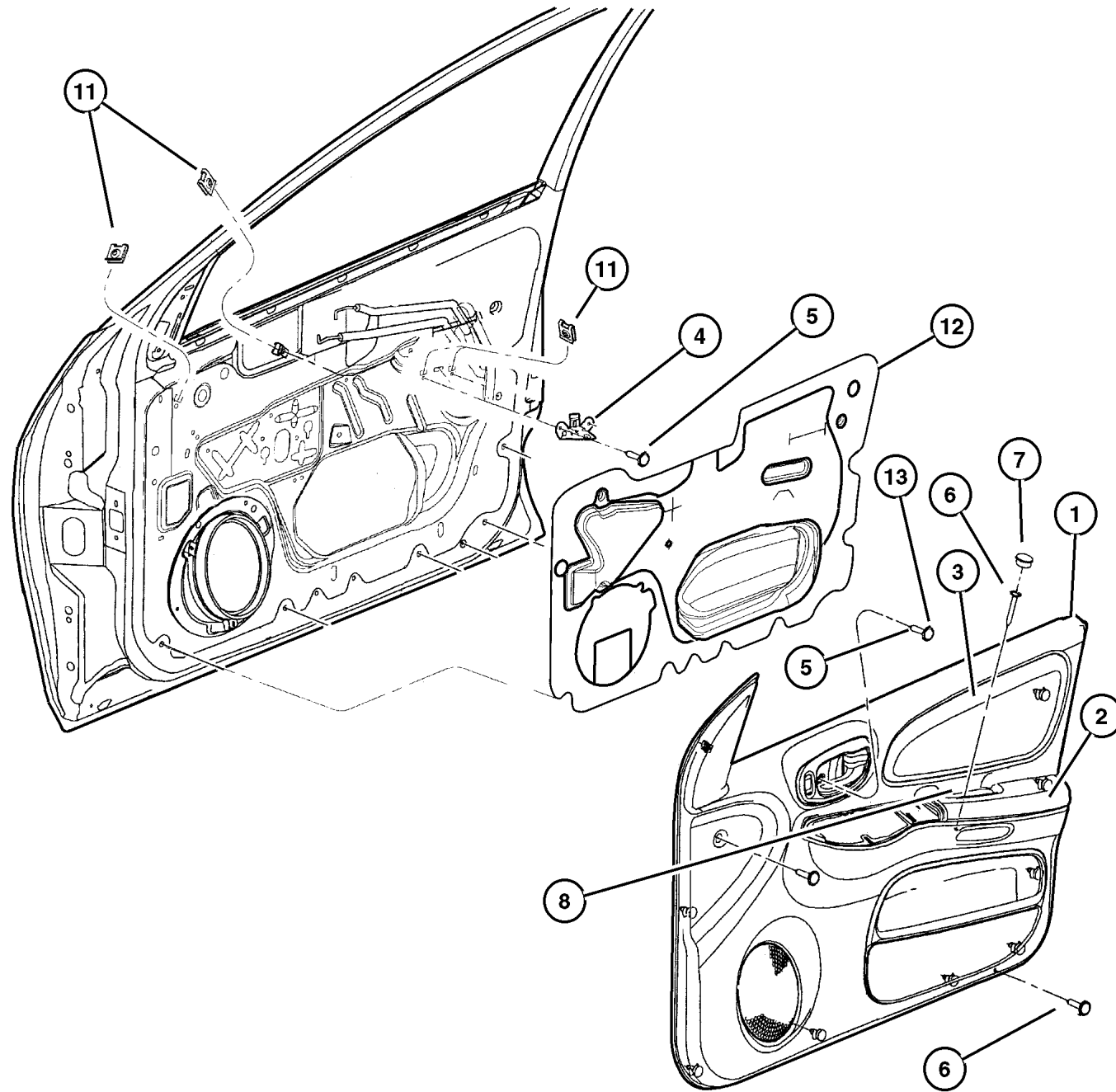
DODGE - CHRYSLER NEON (PL)

SERIES	LINE	BODY	ENGINE	TRANSMISSION
L=Low Line	Z= Chrysler, RHD	41 = 4 Door,	ECB = 2.0L 4 Cyl. , 16V SMPI	DD5 = 5 Speed Manual
H=High Line	D= Dodge	104WB	ECH = 2.0L 4 Cyl, 16V SOHC	DGL = 4 Speed Automatic
S = Special	C= Chrysler		EJD, EJ0 = 1.6L 4 Cyl 16v, SOHC	DG0 = All Automatics
P = Premium				DBB = All 5 Speed Manual
X = R/T				

AR = Use as required - = Non illustrated part # = New this model year

April 9, 2002

**Door Panels - Front
Figure IPL-410**



ITEM	PART NUMBER	QTY	LINE	SERIES	BODY	TRIM	DESCRIPTION
7							PLUG, Cover
	LB57 WL5	2					[L5], Pull Cup
	LB57 XDV	2					[DV], Pull Cup
8							CUP, Door Pull
	QS28 WL5AA	1				X7	[L5], Right
		1				J7	[L5], Right
		1				U7	[L5], Right
		1				KL	[L5], Right
		1				RL	[L5], Right
		1				XL	[L5], Right
		1				K7	[L5], Right
		1				B7	[L5], Right
		1				C7	[L5], Right
		1				CL	[L5], Right
	QS28 XDVAA	1				X7	[DV], Right
		1				J7	[DV], Right
		1				A7	[DV], Right
		1				U7	[DV], Right
		1				KL	[DV], Right
		1				R7	[DV], Right
		1				RL	[DV], Right
		1				E7	[DV], Right
		1				XL	[DV], Right
		1				K7	[DV], Right
		1				B7	[DV], Right
		1				C7	[DV], Right
		1				CL	[DV], Right
		1				L7	[DV], Right
	QS29 WL5AA	1				X7	[L5], Left
		1				J7	[L5], Left
		1				U7	[L5], Left
		1				RL	[L5], Left
		1				KL	[L5], Left
		1				XL	[L5], Left
		1				K7	[L5], Left
		1				B7	[L5], Left
		1				C7	[L5], Left
		1				CL	[L5], Left
	QS29 XDVAA	1				X7	[DV], Left
		1				J7	[DV], Left
		1				A7	[DV], Left

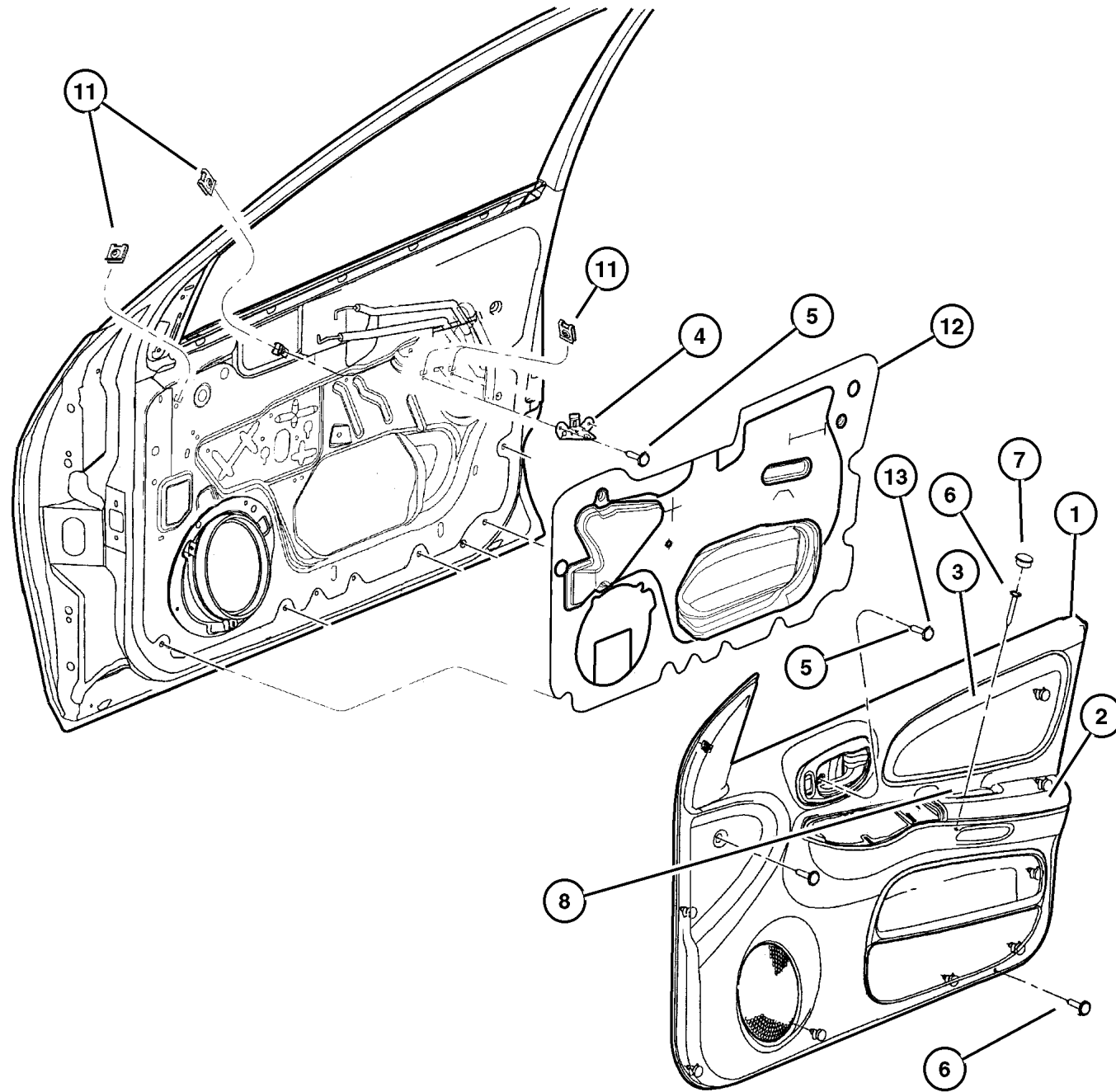
DODGE - CHRYSLER NEON (PL)

SERIES	LINE	BODY	ENGINE	TRANSMISSION
L=Low Line	Z= Chrysler, RHD	41 = 4 Door,	ECB = 2.0L 4 Cyl. , 16V SMPI	DD5 = 5 Speed Manual
H=High Line	D= Dodge	104WB	ECH = 2.0L 4 Cyl, 16V SOHC	DGL = 4 Speed Automatic
S = Special	C= Chrysler		EJD, EJ0 = 1.6L 4 Cyl 16v, SOHC	DG0 = All Automatics
P = Premium				DBB = All 5 Speed Manual
X = R/T				

AR = Use as required - = Non illustrated part # = New this model year

April 9, 2002

Door Panels - Front
Figure IPL-410



ITEM	PART NUMBER	QTY	LINE	SERIES	BODY	TRIM	DESCRIPTION
		1				U7	[DV], Left
		1				KL	[DV]
		1				R7	[DV]
		1				RL	[DV]
		1				E7	[DV]
		1				XL	[DV]
		1				K7	[DV]
		1				B7	[DV]
		1				C7	[DV]
		1				CL	[DV]
		1				L7	[DV]
-9	6503 167	3					CLIP, Trim Panel, Door Flag Attaching
-10							FASTENER, Trim Panel
	5023 351AA	8				K7	Pin/Grommet With Seal
		8				R7	Pin/Grommet With Seal
		8				B7	Pin/Grommet With Seal
		8				C7	Pin/Grommet With Seal
		8				A7	Pin/Grommet With Seal
		8				U7	Pin/Grommet With Seal
		8				X7	Pin/Grommet With Seal
		8				J7	Pin/Grommet With Seal
		8				E7	Pin/Grommet With Seal
		8				KL	Pin/Grommet With Seal
		8				RL	Pin/Grommet With Seal
		8				XL	Pin/Grommet With Seal
		8				CL	Pin/Grommet With Seal
		8				L7	Pin/Grommet With Seal
11							NUT, U, For A .164-15 Screw , (NOT SERVICED)
12							WATERSHIELD, Front Door, (NOT SERVICED)
13							PLUG, Bezel Trim
	SR22 WL5AA	1				U7	[L5]
		1				X7	[L5]
		1				J7	[L5]
		1				KL	[L5]
		1				RL	[L5]
		1				XL	[L5]
		1				K7	[L5]
		1				B7	[L5]
		1				C7	[L5]
		1				CL	[L5]
	SR22 XDVAA	1				U7	[DV]

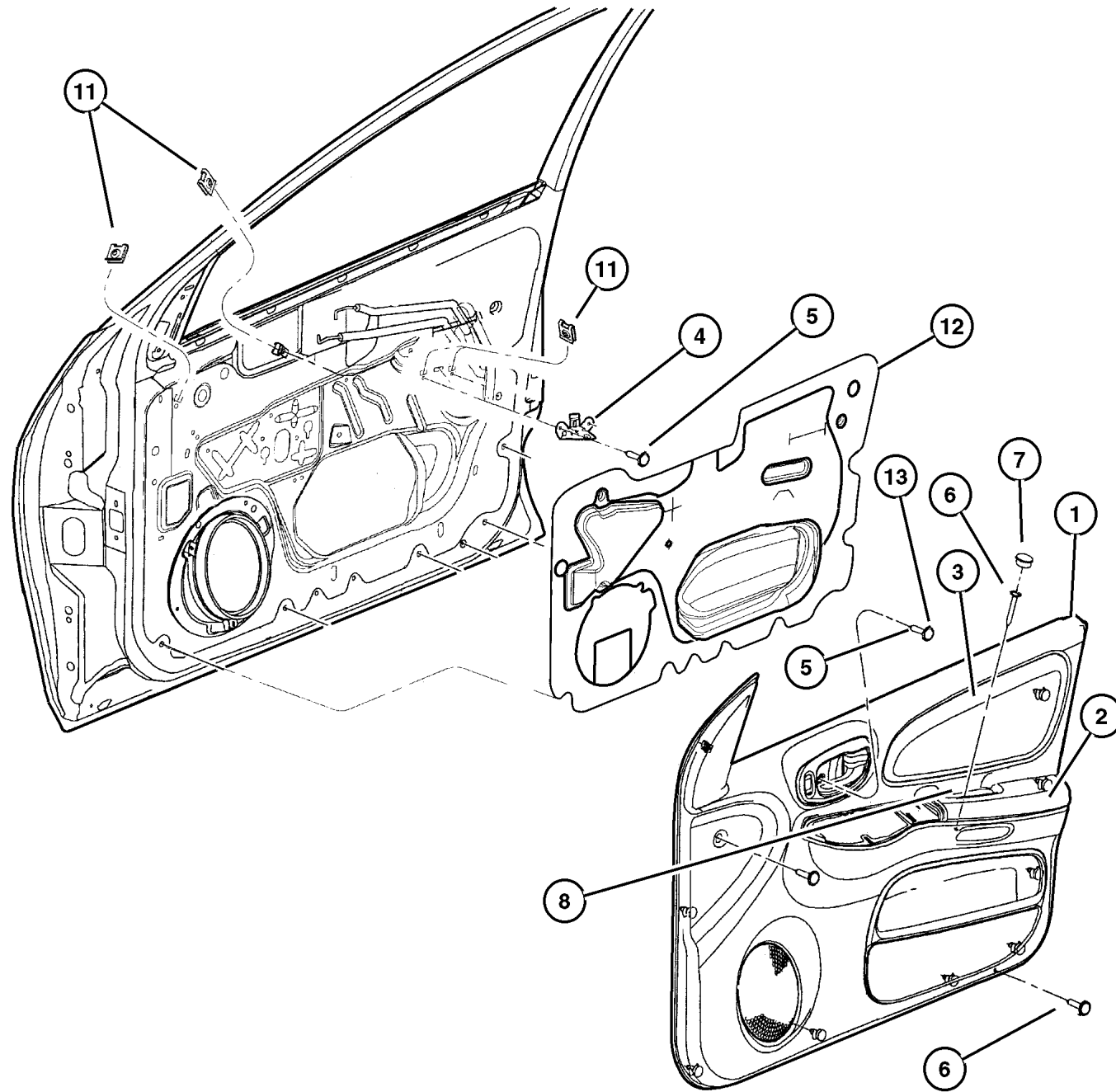
DODGE - CHRYSLER NEON (PL)

SERIES	LINE	BODY	ENGINE	TRANSMISSION
L=Low Line	Z= Chrysler, RHD	41 = 4 Door,	ECB = 2.0L 4 Cyl. , 16V SMPI	DD5 = 5 Speed Manual
H=High Line	D= Dodge	104WB	ECH = 2.0L 4 Cyl, 16V SOHC	DGL = 4 Speed Automatic
S = Special	C= Chrysler		EJD, EJ0 = 1.6L 4 Cyl 16v, SOHC	DG0 = All Automatics
P = Premium				DBB = All 5 Speed Manual
X = R/T				

AR = Use as required - = Non illustrated part # = New this model year

April 9, 2002

**Door Panels - Front
Figure IPL-410**



ITEM	PART NUMBER	QTY	LINE	SERIES	BODY	TRIM	DESCRIPTION
		1				J7	[DV]
		1				X7	[DV]
		1				A7	[DV]
		1				E7	[DV]
		1				KL	[DV]
		1				R7	[DV]
		1				XL	[DV]
		1				K7	[DV]
		1				B7	[DV]
		1				C7	[DV]
		1				CL	[DV]

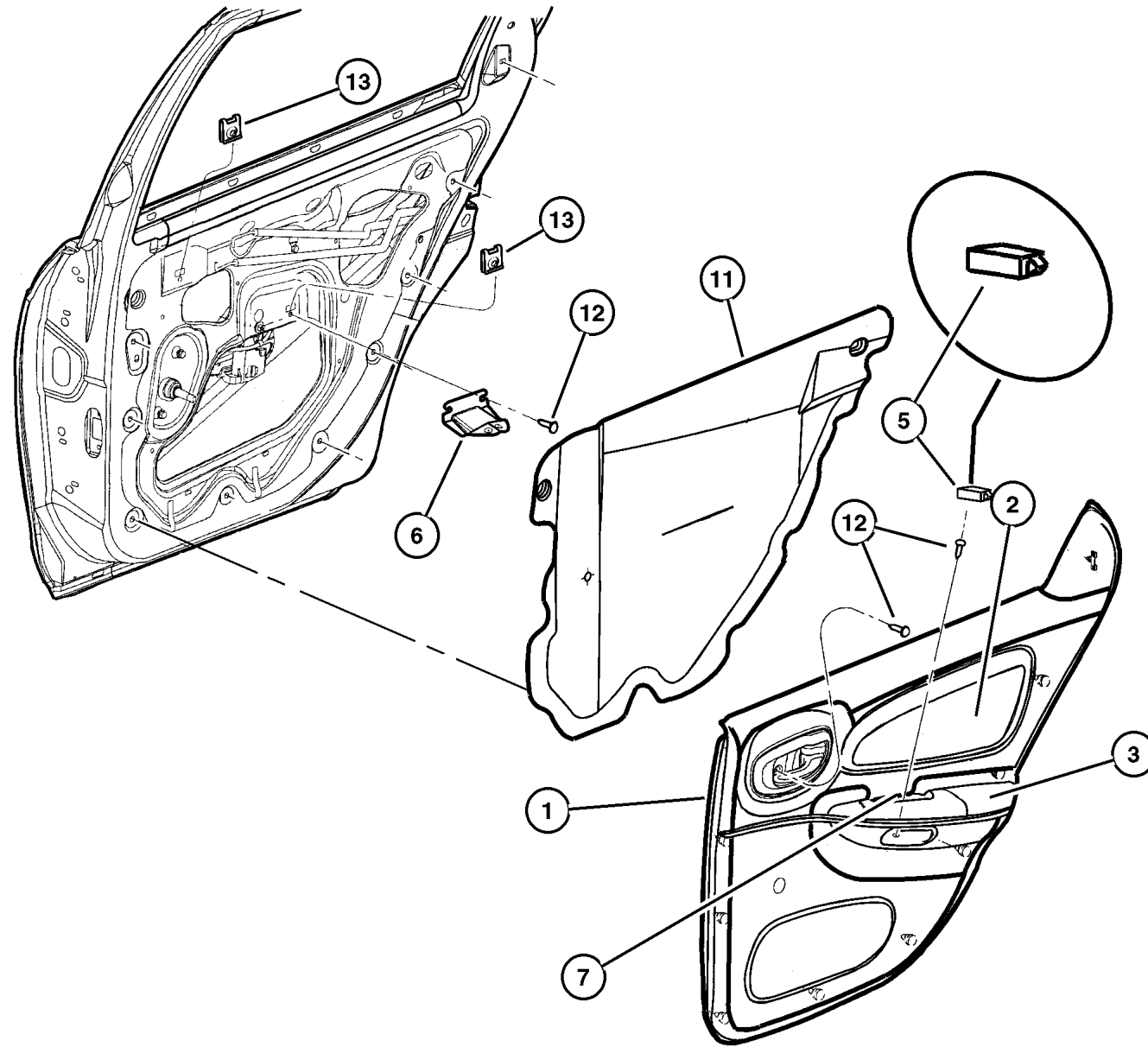
DODGE - CHRYSLER NEON (PL)

SERIES	LINE	BODY	ENGINE	TRANSMISSION
L=Low Line	Z= Chrysler, RHD	41 = 4 Door,	ECB = 2.0L 4 Cyl. , 16V SMPI	DD5 = 5 Speed Manual
H=High Line	D= Dodge	104WB	ECH = 2.0L 4 Cyl, 16V SOHC	DGL = 4 Speed Automatic
S = Special	C= Chrysler		EJD, EJ0 = 1.6L 4 Cyl 16v, SOHC	DG0 = All Automatics
P = Premium				DBB = All 5 Speed Manual
X = R/T				

AR = Use as required - = Non illustrated part # = New this model year

April 9, 2002

Door Panels - Rear
Figure IPL-420



ITEM	PART NUMBER	QTY	LINE	SERIES	BODY	TRIM	DESCRIPTION
1							PANEL, Rear Door Trim
	PZ16 WL5AK	1				K7	[L5], Right
	PZ16 XDVAK	1				K7	[DV], Right
	PZ17 WL5AK	1				K7	[L5], Left
	PZ17 XDVAK	1				K7	[DV], Left
	PZ16 XDVAK	1				L7	[DV], Right
	PZ17 XDVAK	1				L7	[DV], Left
	SL34 1DVAG	1				XL	[DV], Right
		1				CL	[DV], Right
	SL34 1L5AG	1				XL	[L5], Right
		1				CL	[L5], Right
	SL35 1DVAG	1				XL	[DV], Left
		1				CL	[DV], Left
	SL35 1L5AG	1				XL	[L5], Left
		1				CL	[L5], Left
	TZ18 XDVAA	1				A7	[DV], Right
	TZ19 XDVAA	1				A7	[DV], Left
	SJ20 WL5AF	1				B7	[L5], Right
		1				C7	[L5], Right
	SJ20 XDVAF	1				B7	[DV], Right
		1				C7	[DV], Right
	SJ21 WL5AF	1				B7	[L5], Left
		1				C7	[L5], Left
	SJ21 XDVAF	1				B7	[DV], Left
		1				C7	[DV], Left
	SV02 WL5AB	1				RL	[L5], Right
	SV02 XDVAB	1				RL	[DV], Right
		1				KL	[DV], Right
	SV03 WL5AB	1				RL	[L5], Left
	SV03 XDVAB	1				RL	[DV], Left
		1				KL	[DV], Left
	#SJ24 WL5AC	1				R7	[L5], Right
	#SJ24 XDVAC	1				R7	[DV], Right
	#SJ25 WL5AC	1				R7	[L5], Left
	#SJ25 XDVAC	1				R7	[DV], Left
2							BOLSTER, Door, Serviced w/Door Panel, (NOT SERVICED)
3							ARMREST, Door, Serviced w/Door Panel, (NOT SERVICED)
-4							BRACKET, Door Pull Cup
	5023 220AA	1					Right
	5023 221AA	1					Left

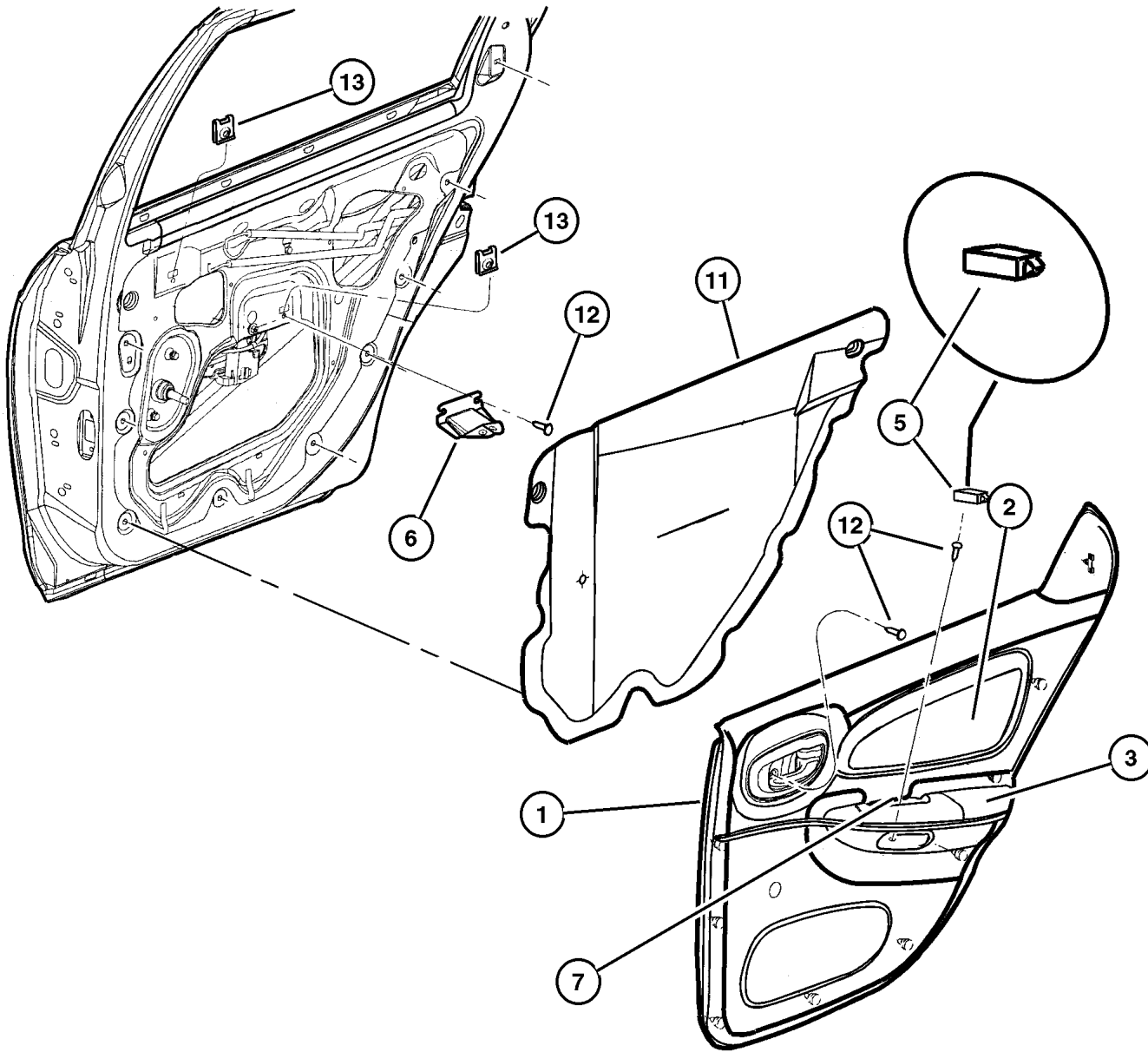
DODGE - CHRYSLER NEON (PL)

SERIES	LINE	BODY	ENGINE	TRANSMISSION
L=Low Line	Z= Chrysler, RHD	41 = 4 Door,	ECB = 2.0L 4 Cyl. , 16V SMPI	DD5 = 5 Speed Manual
H=High Line	D= Dodge	104WB	ECH = 2.0L 4 Cyl, 16V SOHC	DGL = 4 Speed Automatic
S = Special	C= Chrysler		EJD, EJ0 = 1.6L 4 Cyl 16v, SOHC	DG0 = All Automatics
P = Premium				DBB = All 5 Speed Manual
X = R/T				

AR = Use as required - = Non illustrated part # = New this model year

April 9, 2002

Door Panels - Rear
Figure IPL-420



ITEM	PART NUMBER	QTY	LINE	SERIES	BODY	TRIM	DESCRIPTION
5							PLUG, Cover
	LB57 WL5	2					[L5], Pull Cup Rear
	LB57 XDV	2					[DV], Pull Cup Rear
6							BRACKET, Door Panel Attaching, (NOT SERVICED)
7							CUP, Door Pull
	QS28 WL5AA	1				X7	[L5], Right
		1				J7	[L5], Right
		1				U7	[L5], Right
		1				KL	[L5], Right
		1				RL	[L5], Right
		1				XL	[L5], Right
		1				K7	[L5], Right
		1				B7	[L5], Right
		1				C7	[L5], Right
		1				CL	[L5], Right
		1				R7	[L5], Right
	QS28 XDVA	1				X7	[DV], Right
		1				J7	[DV], Right
		1				A7	[DV], Right
		1				U7	[DV], Right
		1				KL	[DV], Right
		1				R7	[DV], Right
		1				RL	[DV], Right
		1				E7	[DV], Right
		1				XL	[DV], Right
		1				K7	[DV], Right
		1				B7	[DV], Right
		1				C7	[DV], Right
		1				CL	[DV], Right
	QS29 WL5AA	1				L7	[DV], Right
		1				X7	[L5], Left
		1				J7	[L5], Left
		1				U7	[L5], Left
		1				KL	[L5], Left
		1				RL	[L5], Left
		1				XL	[L5], Left
		1				K7	[L5], Left
		1				B7	[L5], Left
		1				C7	[L5], Left
		1				CL	[L5], Left

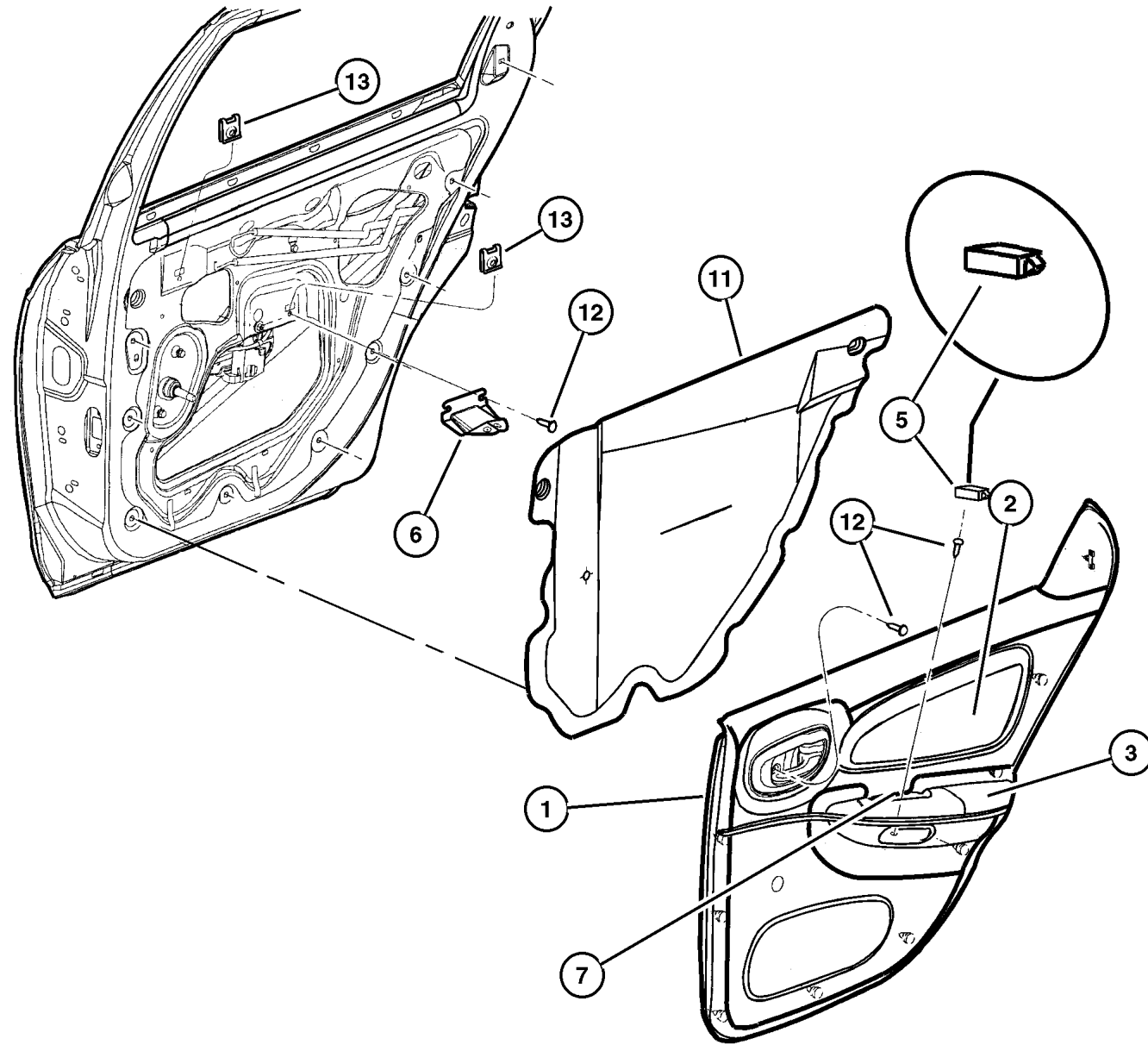
DODGE - CHRYSLER NEON (PL)

SERIES	LINE	BODY	ENGINE	TRANSMISSION
L=Low Line	Z= Chrysler, RHD	41 = 4 Door,	ECB = 2.0L 4 Cyl. , 16V SMPI	DD5 = 5 Speed Manual
H=High Line	D= Dodge	104WB	ECH = 2.0L 4 Cyl, 16V SOHC	DGL = 4 Speed Automatic
S = Special	C= Chrysler		EJD, EJ0 = 1.6L 4 Cyl 16v, SOHC	DG0 = All Automatics
P = Premium				DBB = All 5 Speed Manual
X = R/T				

AR = Use as required - = Non illustrated part # = New this model year

April 9, 2002

Door Panels - Rear
Figure IPL-420



ITEM	PART NUMBER	QTY	LINE	SERIES	BODY	TRIM	DESCRIPTION
		1				R7	[L5], Left
	QS29 XDVAA	1				X7	[DV], Left
		1				J7	[DV], Left
		1				A7	[DV], Left
		1				U7	[DV], Left
		1				KL	[DV], Left
		1				R7	[DV], Left
		1				RL	[DV]
		1				E7	[DV]
		1				XL	[DV]
		1				K7	[DV]
		1				B7	[DV]
		1				C7	[DV]
		1				CL	[DV]
		1				L7	[DV]
-8	5023 173AA	AR					RETAINER, Trim Panel, Pin/Grommet With Seal, White
-9	6503 167	3					CLIP, Trim Panel, Door Flag Attaching
-10	6032 723	2					SCREW, Self Tapping, M4.2x1.69x19.05, Door Panel Attaching
11							WATERSHIELD, Rear Door, (NOT SERVICED)
12	0153 921	4					SCREW
13							NUT, U, (NOT SERVICED)
-14							PLUG, Cover
	LB57 WL5	2					[L5], Goes Behind Door Handle
	LB57 XDV	2					[DV], Goes Behind Door Handle

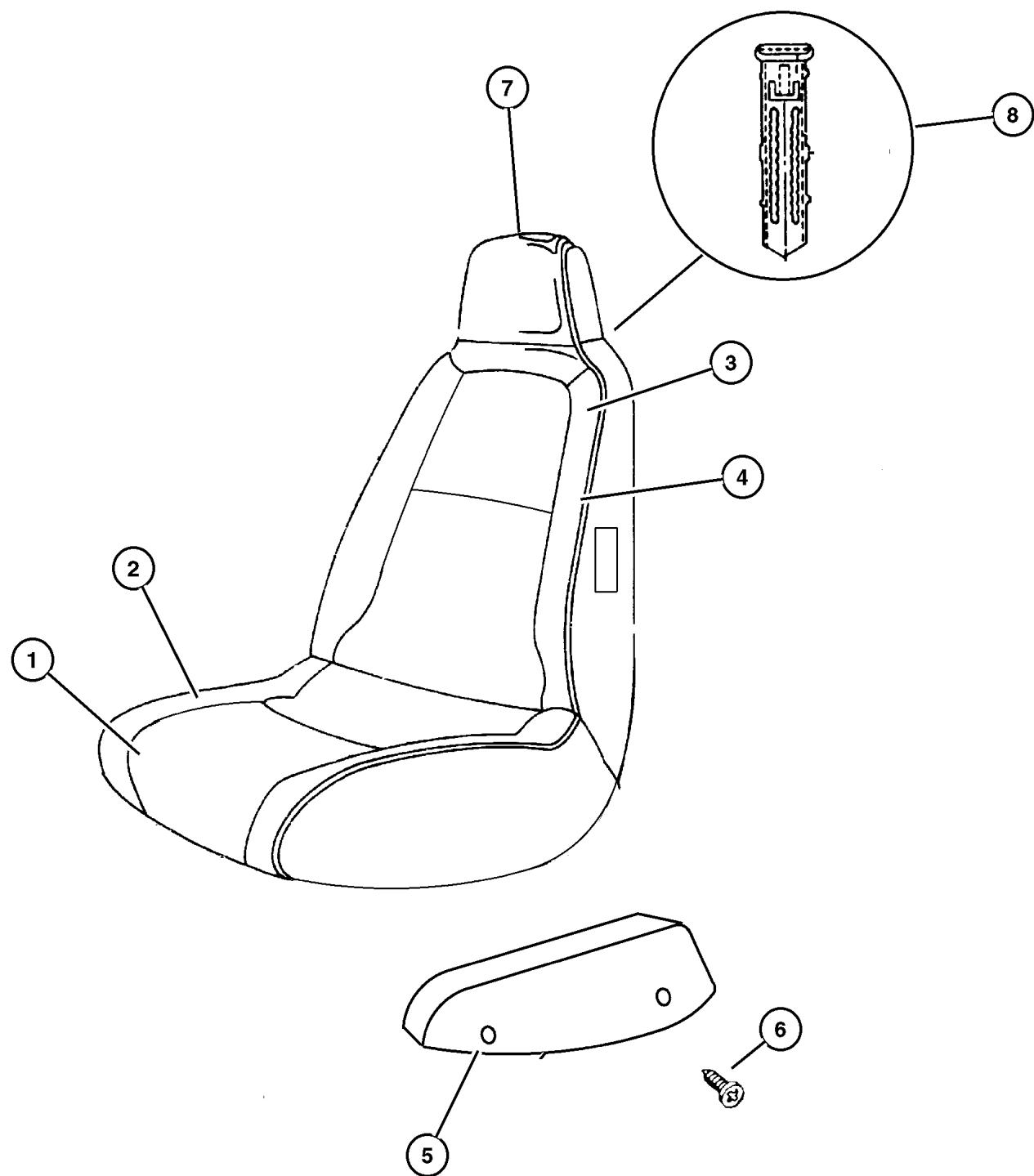
DODGE - CHRYSLER NEON (PL)

SERIES	LINE	BODY	ENGINE	TRANSMISSION
L=Low Line	Z= Chrysler, RHD	41 = 4 Door,	ECB = 2.0L 4 Cyl. , 16V SMPI	DD5 = 5 Speed Manual
H=High Line	D= Dodge	104WB	ECH = 2.0L 4 Cyl, 16V SOHC	DGL = 4 Speed Automatic
S = Special	C= Chrysler		EJD, EJ0 = 1.6L 4 Cyl 16v, SOHC	DG0 = All Automatics
P = Premium				DBB = All 5 Speed Manual
X = R/T				

AR = Use as required - = Non illustrated part # = New this model year

April 9, 2002

**Seat Front - Trim Code [K7]
Figure IPL-505**



ITEM	PART NUMBER	QTY	LINE	SERIES	BODY	TRIM	DESCRIPTION
Note: n key.							
Sales Code [CJ1] = Air bags side front seats. n key.							
1							CUSHION, Front Seat
	#WV10 1DVAA	1				K7	[DV]
	#WV10 1L5AA	1				K7	[L5]
2							COVER, Front Seat Cushion
	#WV21 1DVAA	1				K7	[DV]
	#WV21 1L5AA	1				K7	[L5]
3							SEAT BACK, Front
	#WV12 1DVAA	1				K7	[DV], Right
	#WV12 1L5AA	1				K7	[L5], Right
	#WV13 1DVAA	1				K7	[DV], Left
	#WV13 1L5AA	1				K7	[L5], Left
	#WV14 1DVAA	1				K7	[DV], With [CJ1] Air Bags Side Front Seats, Right
	#WV14 1L5AA	1				K7	[L5], With [CJ1] Air Bags Side Front Seats, Right
	#WV15 1DVAA	1				K7	[DV], With [CJ1] Air Bags Side Front Seats, Left
	#WV15 1L5AA	1				K7	[L5], With [CJ1] Air Bags Side Front Seats, Left
4							COVER, Front Seat Back
	#WV22 1DVAA	1				K7	[DV], Without [CJ1] Air Bags Side Front Seats
	#WV22 1L5AA	1				K7	[L5], Without [CJ1] Air Bags Side Front Seats
5							SHIELD, Seat Cushion
	JF76 1DV	1				K7	[DV], Right
	JF76 1L5	1				K7	[L5], Right
	JF77 1DV	1				K7	[DV], Left
	JF77 1L5	1				K7	[L5], Left
6							SCREW, Shield Attaching (10-24x1.30 T20 Torx, (NOT SERVICED)
7							HEADREST, Front
	#WV02 1DVAA	1				K7	[DV]
	#WV02 1L5AA	1				K7	[L5]
8							SLEEVE, Headrest
	UA16 1DVAA	1				K7	[DV], Non-Locking, Left
	UA16 1L5AA	1				K7	[L5], Non-Locking, Left
	UA17 1DVAA	1				K7	[DV], Locking, Right
	UA17 1L5AA	1				K7	[L5], Locking, Right

DODGE - CHRYSLER NEON (PL)

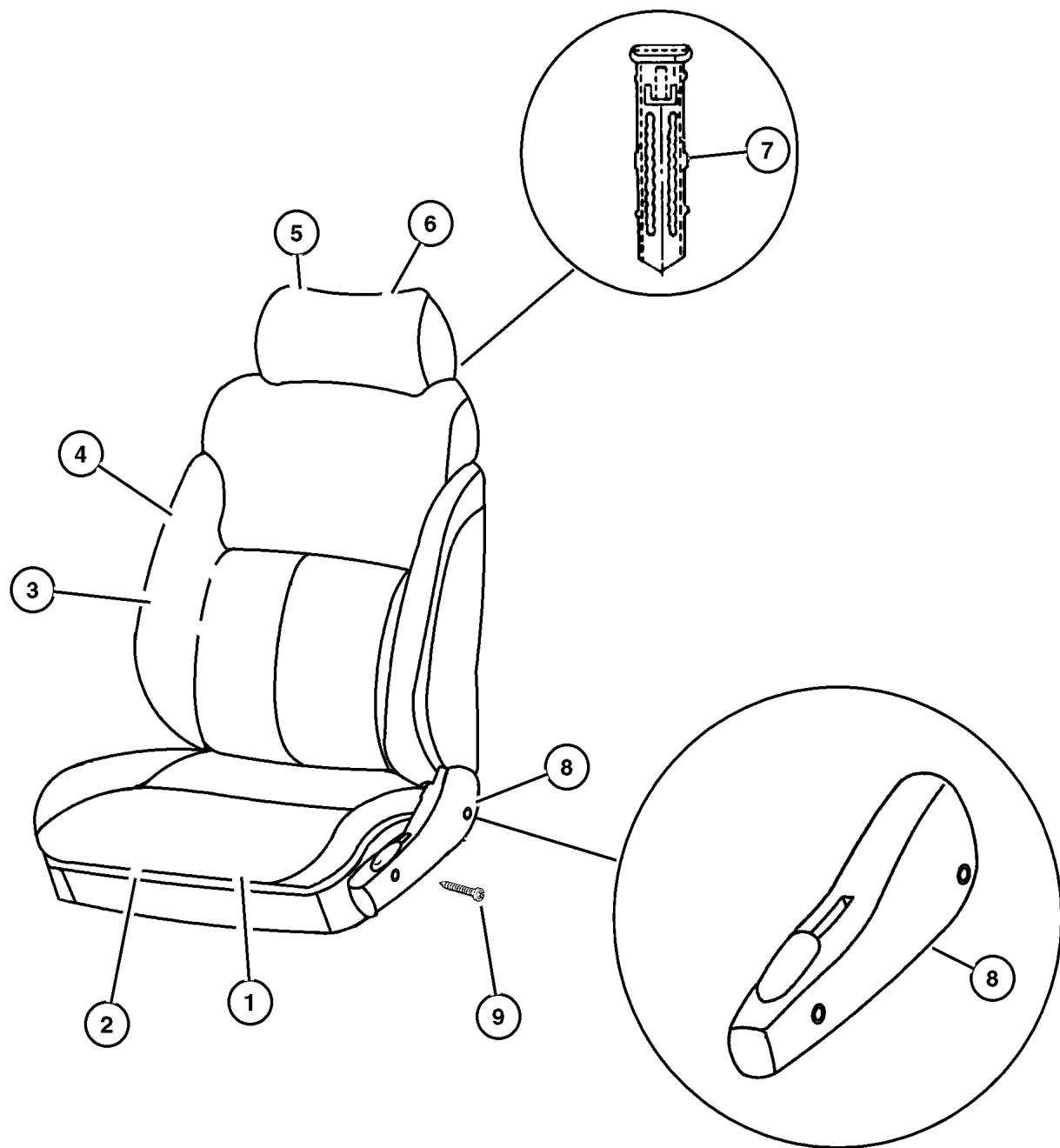
SERIES	LINE	BODY	ENGINE	TRANSMISSION
L=Low Line	Z= Chrysler, RHD	41 = 4 Door,	ECB = 2.0L 4 Cyl. , 16V SMPI	DD5 = 5 Speed Manual
H=High Line	D= Dodge	104WB	ECH = 2.0L 4 Cyl, 16V SOHC	DGL = 4 Speed Automatic
S = Special	C= Chrysler		EJD, EJO = 1.6L 4 Cyl 16v, SOHC	DG0 = All Automatics
P = Premium				DBB = All 5 Speed Manual
X = R/T				

AR = Use as required - = Non illustrated part # = New this model year

April 9, 2002

**Seat Front - Trim Code [B7]
Figure IPL-510**

ITEM	PART NUMBER	QTY	LINE	SERIES	BODY	TRIM	DESCRIPTION
Note: n key.							
Sales Code [CJ1] = Air bags side front seats. n key.							
1							CUSHION, Front Seat
	SL90 1DVAA	1				B7	[DV]
	SL90 1L5AA	1				B7	[L5]
2							COVER, Front Seat Cushion
	SL92 1DVAA	1				B7	[DV]
	SL92 1L5AA	1				B7	[L5]
3							SEAT BACK, Front
	UA54 1DVAA	1				B7	[DV], Right
	UA54 1L5AA	1				B7	[L5], Right
	UA55 1DVAA	1				B7	[DV], Left
	UA55 1L5AA	1				B7	[L5], Left
	#WX94 1DVAA	1				B7	[DV], With [CJ1], Air Bags, Side Front Seat, Right
	#WX94 1L5AA	1				B7	[L5], With [CJ1], Air Bags, Side Front Seat, Right
	#WX95 1DVAA	1				B7	[DV], With [CJ1], Air Bags, Side Front Seat, Left
	#WX95 1L5AA	1				B7	[L5], With [CJ1], Air Bags, Side Front Seat, Left
4							COVER, Front Seat Back
	UA51 1DVAA	1				B7	[DV]
	UA51 1L5AA	1				B7	[L5]
	#WX92 1DVAA	1				B7	[DV], With [CJ1], Air Bags, Side Front Seat
	#WX92 1L5AA	1				B7	[L5], With [CJ1], Air Bags, Side Front Seat
5							HEADREST, Front
	#WW93 1DVAA	1				B7	[DV]
	#WW93 1L5AA	1				B7	[L5]
6							COVER, Seat Headrest, (NOT SERVICED)
7							SLEEVE, Headrest
	UA16 1DVAA	1				B7	[DV], Non-Locking, Left
	UA16 1L5AA	1				B7	[L5], Non-Locking, Left
	UA17 1DVAA	1				B7	[DV], Locking
	UA17 1L5AA	1				B7	[L5], Locking
8							SHIELD, Seat Cushion
	JF76 1DV	1				B7	[DV], Right
	JF76 1L5	1				B7	[L5], Right
	UA13 1DVAA	1				B7	[DV], Left,Power
	UA13 1L5AA	1				B7	[L5], Left,Power
9							SCREW, Side Shield (10-24x1.030 T-20 Torx), (NOT SERVICED)



DODGE - CHRYSLER NEON (PL)

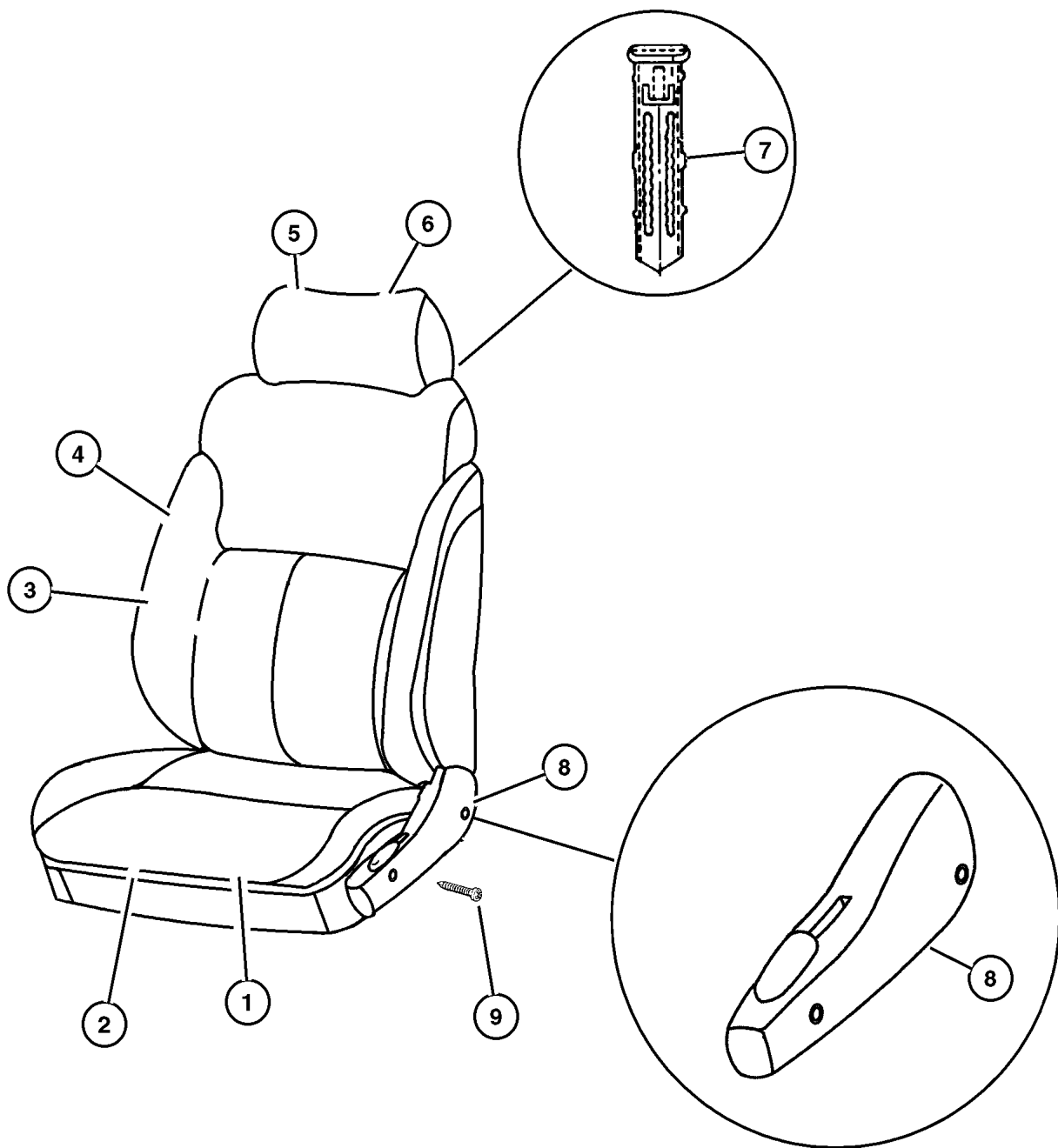
SERIES	LINE	BODY	ENGINE	TRANSMISSION
L=Low Line	Z= Chrysler, RHD	41 = 4 Door,	ECB = 2.0L 4 Cyl. , 16V SMPI	DD5 = 5 Speed Manual
H=High Line	D= Dodge	104WB	ECH = 2.0L 4 Cyl, 16V SOHC	DGL = 4 Speed Automatic
S = Special	C= Chrysler		EJD, EJ0 = 1.6L 4 Cyl 16v, SOHC	DG0 = All Automatics
P = Premium				DBB = All 5 Speed Manual
X = R/T				

AR = Use as required - = Non illustrated part # = New this model year

April 9, 2002

**Seat Front - Trim Code [C7]
Figure IPL-515**

ITEM	PART NUMBER	QTY	LINE	SERIES	BODY	TRIM	DESCRIPTION
Note: n key.							
Sales Code [CJ1] = Air bags side front seats. n key.							
1							CUSHION, Front Seat
	SL90 1DVAA	1	C, D			C7	[DV]
		1	Z			C7	[DV]
	SL90 1L5AA	1	Z			C7	[L5]
		1	C, D			C7	[L5]
2							COVER, Front Seat Cushion
	SL92 1DVAA	1	C, D			C7	[DV]
		1	Z			C7	[DV]
	SL92 1L5AA	1	C, D			C7	[L5]
		1	Z			C7	[L5]
3							SEAT BACK, Front
	UA54 1DVAA	1	Z			C7	[DV], Right
	UA54 1L5AA	1	C, D			C7	[L5], Right
	UA55 1DVAA	1	C, D			C7	[DV], Left
	UA55 1L5AA	1	C, D			C7	[L5], Left
	#WY04 1DVAA	1	C, D			C7	[DV], With [CJ1], Air Bags Side Front Seats, Right
	#WY04 1L5AA	1	C, D			C7	[L5], With [CJ1], Air Bags Side Front Seats, Right
	#WY05 1DVAA	1	Z			C7	[DV], With [CJ1], Air Bags Side Front Seats, Left
	#WY05 1L5AA	1	C, D			C7	[L5], With [CJ1], Air Bags Side Front Seats, Left
4							COVER, Front Seat Back
	UA51 1DVAA	1	C, D			C7	[DV], Without [CJ1], Air Bags Side Front Seats
		1	Z			C7	[DV], Without [CJ1], Air Bags Side Front Seats
	UA51 1L5AA	1	C, D			C7	[L5], Without [CJ1], Air Bags Side Front Seats
		1	Z			C7	[L5], Without [CJ1], Air Bags Side Front Seats
5							HEADREST, Front
	#WX01 1DVAA	1	Z			C7	[DV]
		1	C, D			C7	[DV]
	#WX01 1L5AA	1	C, D			C7	[L5]
		1	Z			C7	[L5]
6							COVER, Seat Headrest, (NOT SERVICED)
7							SLEEVE, Headrest
	UA16 1DVAA	1	C, D			C7	[DV], Non-Locking, Left
		1	Z			C7	[DV], Non-Locking, Left
	UA16 1L5AA	1	C, D			C7	[L5], Non-Locking, Left
		1	Z			C7	[L5], Non-Locking, Left
	UA17 1DVAA	1	C, D			C7	[DV], Locking, Right
		1	Z			C7	[DV], Locking, Right
	UA17 1L5AA	1	C, D			C7	[L5], Locking, Right
		1	Z			C7	[L5], Locking, Right
8							SHIELD, Seat Cushion



DODGE - CHRYSLER NEON (PL)

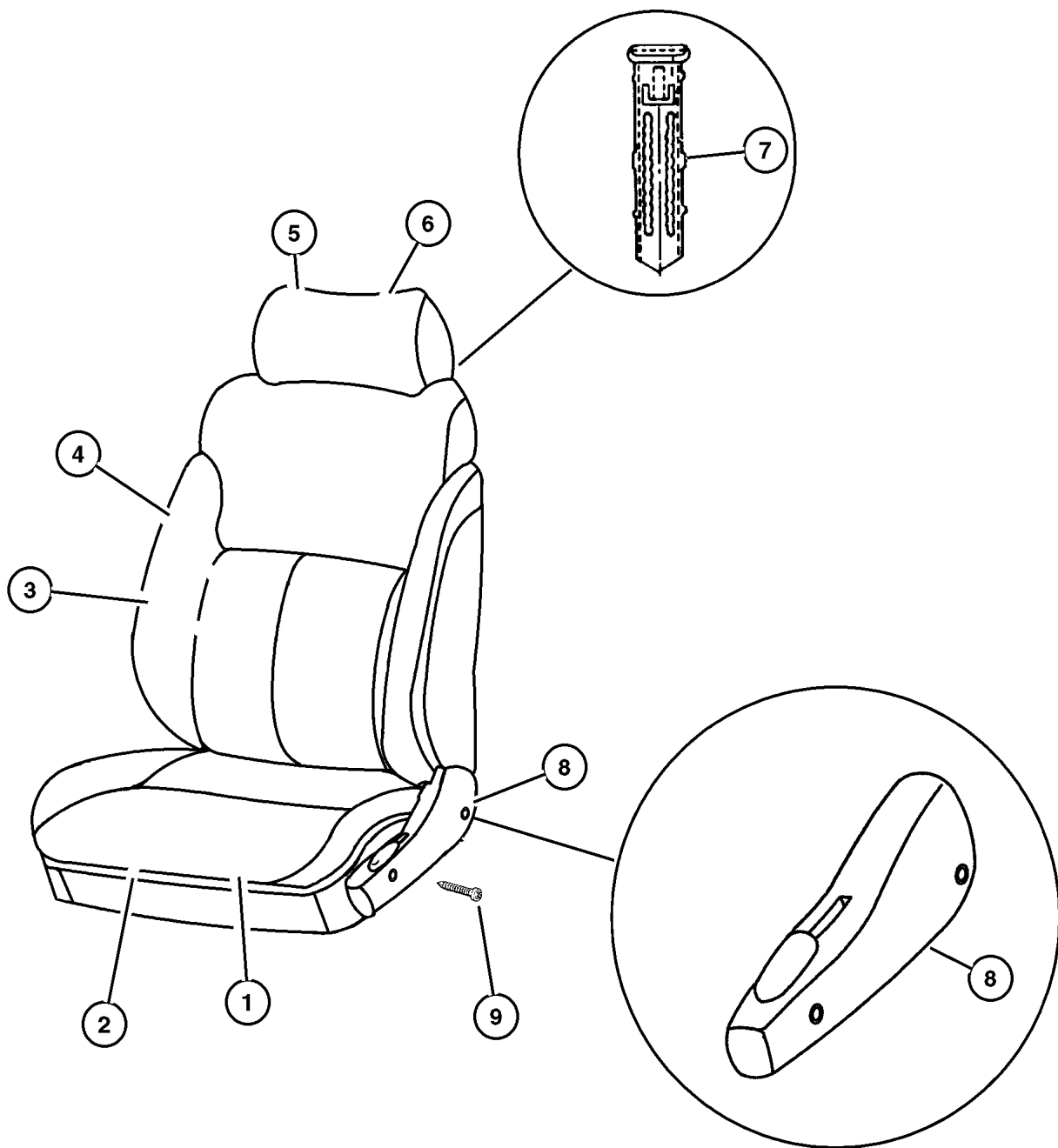
SERIES	LINE	BODY	ENGINE	TRANSMISSION
L=Low Line	Z= Chrysler, RHD	41 = 4 Door,	ECB = 2.0L 4 Cyl. , 16V SMPI	DD5 = 5 Speed Manual
H=High Line	D= Dodge	104WB	ECH = 2.0L 4 Cyl, 16V SOHC	DGL = 4 Speed Automatic
S = Special	C= Chrysler		EJD, EJ0 = 1.6L 4 Cyl 16v, SOHC	DG0 = All Automatics
P = Premium				DBB = All 5 Speed Manual
X = R/T				

AR = Use as required - = Non illustrated part # = New this model year

April 9, 2002

Seat Front - Trim Code [C7]
Figure IPL-515

ITEM	PART NUMBER	QTY	LINE	SERIES	BODY	TRIM	DESCRIPTION
	JF76 1DV	1	Z			C7	[DV], Right
		1	C, D			C7	[DV], Right
	JF76 1L5	1	Z			C7	[L5], Right
		1	C, D			C7	[L5], Right
	JF77 1DV	1	C, D			C7	[DV], Left
		1	Z			C7	[DV], Left
	JF77 1L5	1	C, D			C7	[L5], Left
		1	Z			C7	[L5], Left
	UA12 1DVAA	1	Z			C7	[DV], Right,Power
		1	C, D			C7	[DV], Right,Power
	UA12 1L5AA	1	Z			C7	[L5], Right,Power
		1	C, D			C7	[L5], Right,Power
	UA13 1DVAA	1	C, D			C7	[DV], Left,Power
		1	Z			C7	[DV], Left,Power
	UA13 1L5AA	1	C, D			C7	[L5], Left,Power
		1	Z			C7	[L5], Left,Power
9							SCREW, Side Shield (10-24x1.030 T-20 Torx), (NOT SERVICED)



DODGE - CHRYSLER NEON (PL)

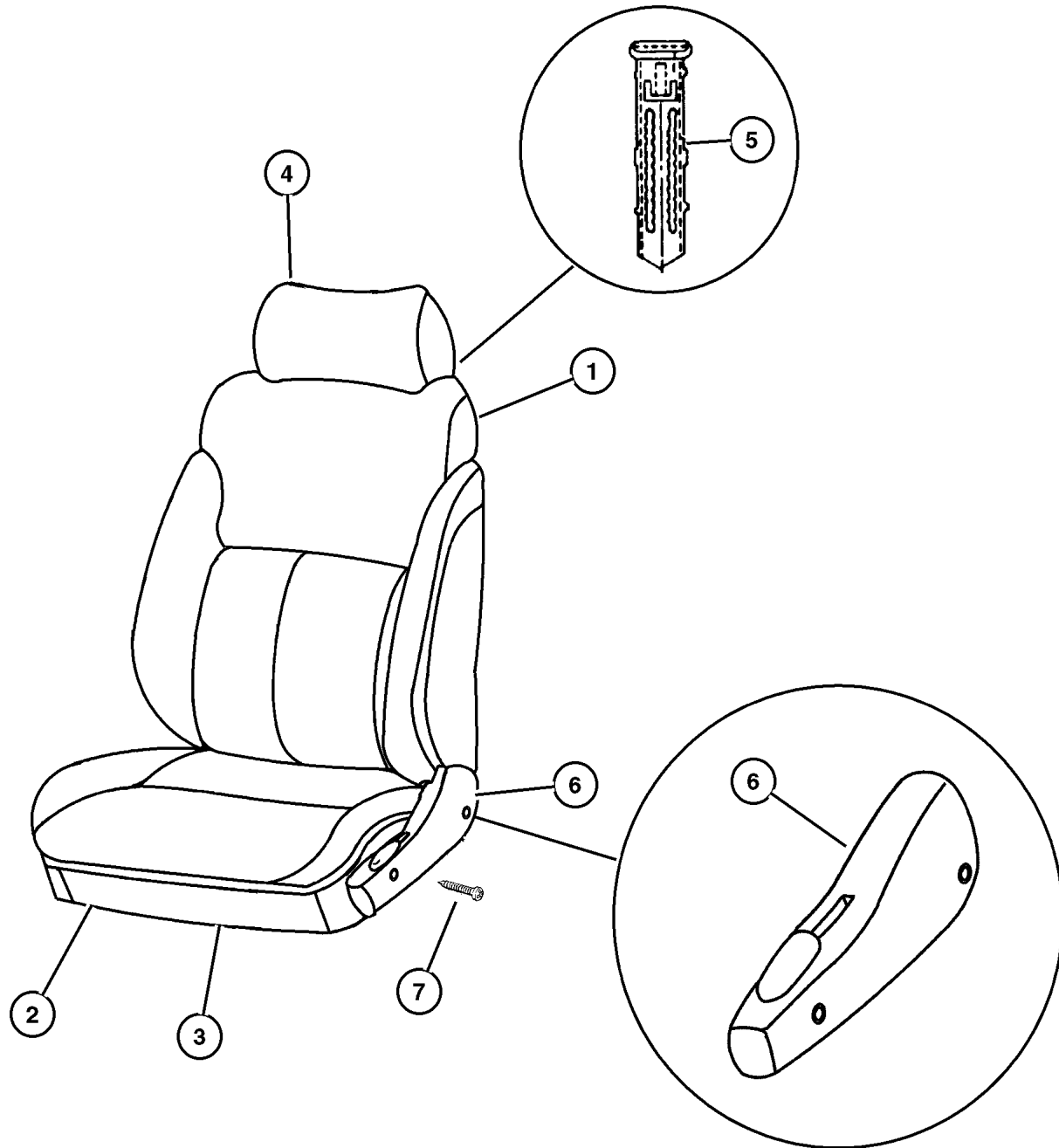
SERIES	LINE	BODY	ENGINE	TRANSMISSION
L=Low Line	Z= Chrysler, RHD	41 = 4 Door,	ECB = 2.0L 4 Cyl. , 16V SMPI	DD5 = 5 Speed Manual
H=High Line	D= Dodge	104WB	ECH = 2.0L 4 Cyl, 16V SOHC	DGL = 4 Speed Automatic
S = Special	C= Chrysler		EJD, EJO = 1.6L 4 Cyl 16v, SOHC	DG0 = All Automatics
P = Premium				DBB = All 5 Speed Manual
X = R/T				

AR = Use as required - = Non illustrated part # = New this model year

April 9, 2002

**Seat Front - Trim Code [CL, KL]
Figure IPL-520**

ITEM	PART NUMBER	QTY	LINE	SERIES	BODY	TRIM	DESCRIPTION
1							SEAT BACK, Front
	#WY02 1DVAA	1	C, D			CL	[DV], Right
	#WY02 1L5AA	1	C, D			CL	[L5], Right
	#WY03 1DVAA	1	C, D			CL	[DV], Left
	#WY03 1L5AA	1	C, D			CL	[L5], Left
	#WY02 1DVAA	1	Z			CL	[DV], Right
	#WY02 1L5AA	1	Z			CL	[L5], Right
	#WY03 1DVAA	1	Z			CL	[DV], Left
	#WY03 1L5AA	1	Z			CL	[L5], Left
	#WY03 1DVAA	1	Z			KL	[DV], Left
	#WY02 1DVAA	1	Z			KL	[DV], Right
	#WY03 1DVAA	1	C, D			KL	[DV], Left
	#WY02 1DVAA	1	C, D			KL	[DV], Right
2							CUSHION, Front Seat
	TB92 1DVAA	1	C, D			CL	[DV], Right
	TB92 1L5AA	1	C, D			CL	[L5], Right
	TB93 1L5AA	1	C, D			CL	[L5], Left
	TB93 1DVAA	1	C, D			CL	[DV], Left
	TB92 1DVAA	1	Z			CL	[DV], Right
	TB92 1L5AA	1	Z			CL	[L5], Right
	TB93 1DVAA	1	Z			CL	[DV], Left
	TB93 1L5AA	1	Z			CL	[L5], Left
	TB93 1DVAA	1	Z			KL	[DV], Left
	TB92 1DVAA	1	Z			KL	[DV], Right
	TB93 1DVAA	1	C, D			KL	[DV], Left
	TB92 1DVAA	1	C, D			KL	[DV], Right
3							COVER, Front Seat Cushion
	TB98 1DVAA	1	C, D			CL	[DV], Right
		1	Z			CL	[DV], Right
	TB98 1L5AA	1	C, D			CL	[L5], Right
		1	Z			CL	[L5], Right
	TB99 1DVAA	1	Z			CL	[DV], Left
		1	C, D			CL	[DV], Left
	TB99 1L5AA	1	C, D			CL	[L5], Left
		1	Z			CL	[L5], Left
	TB98 1DVAA	1	Z			KL	[DV], Right
	TB99 1DVAA	1	Z			KL	[DV], Left
		1	C, D			KL	[DV], Left
	TB98 1DVAA	1	C, D			KL	[DV], Right
4							HEADREST, Front
	#WX04 1DVAA	1	C, D			CL	[DV]



DODGE - CHRYSLER NEON (PL)

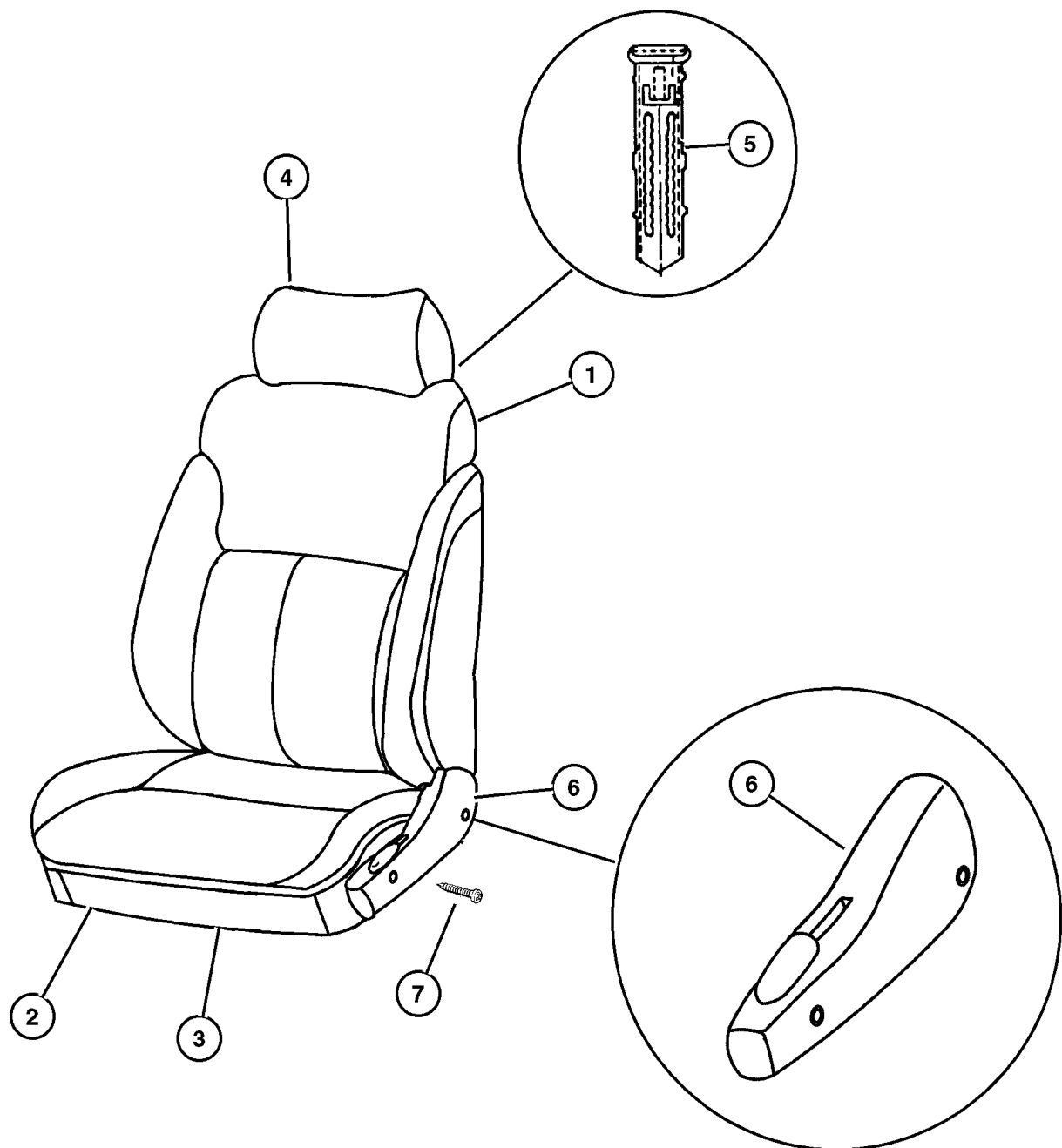
SERIES	LINE	BODY	ENGINE	TRANSMISSION
L=Low Line	Z= Chrysler, RHD	41 = 4 Door,	ECB = 2.0L 4 Cyl. , 16V SMPI	DD5 = 5 Speed Manual
H=High Line	D= Dodge	104WB	ECH = 2.0L 4 Cyl, 16V SOHC	DGL = 4 Speed Automatic
S = Special	C= Chrysler		EJD, EJ0 = 1.6L 4 Cyl 16v, SOHC	DG0 = All Automatics
P = Premium				DBB = All 5 Speed Manual
X = R/T				

AR = Use as required - = Non illustrated part # = New this model year

April 9, 2002

**Seat Front - Trim Code [CL, KL]
Figure IPL-520**

ITEM	PART NUMBER	QTY	LINE	SERIES	BODY	TRIM	DESCRIPTION
	#WX04 1L5AA	1	C, D			CL	[L5]
	#WX04 1DVAA	1	Z			CL	[DV]
	#WX04 1L5AA	1	Z			CL	[L5]
	#WX04 1DVAA	1	Z			KL	[DV]
		1	C, D			KL	[DV]
5							SLEEVE, Headrest
	UA16 1DVAA	1	C, D			CL	[DV], Non-Locking
	UA16 1L5AA	1	C, D			CL	[L5], Non-Locking
	UA16 1DVAA	1	Z			CL	[DV], Non-Locking
	UA16 1L5AA	1	Z			CL	[L5], Non-Locking
	UA17 1L5AA	1	C, D			CL	[L5], Locking
	UA17 1DVAA	1	C, D			CL	[DV], Locking
		1	Z			CL	[DV], Locking
	UA17 1L5AA	1	Z			CL	[L5], Locking
	UA16 1DVAA	1	C, D			KL	[DV], Non-Locking
	UA17 1DVAA	1	C, D			KL	[DV], Locking
	UA16 1DVAA	1	Z			KL	[DV], Non-Locking
	UA17 1DVAA	1	Z			KL	[DV], Locking
6							SHIELD, Seat Cushion
	JF76 1DV	1	C, D			CL	[DV], Right
	JF76 1L5	1	C, D			CL	[L5], Right
	JF77 1DV	1	C, D			CL	[DV], Left
		1	C, D			CL	[L5], Left
	UA12 1DVAA	1	C, D			CL	[DV], Right,Power
	UA12 1L5AA	1	C, D			CL	[L5], Right,Power
	UA13 1DVAA	1	C, D			CL	[DV], Left,Power
	UA13 1L5AA	1	C, D			CL	[L5], Left,Power
	JF76 1DV	1	Z			CL	[DV], Right
	JF76 1L5	1	Z			CL	[L5], Right
	JF77 1DV	1	Z			CL	[DV], Left
	JF77 1L5	1	Z			CL	[L5], Left
	UA12 1DVAA	1	Z			CL	[DV], Right,Power
	UA12 1L5AA	1	Z			CL	[L5], Right,Power
	UA13 1DVAA	1	Z			CL	[DV], Left,Power
	UA13 1L5AA	1	Z			CL	[L5], Left,Power
	JF77 1DV	1	Z			KL	[DV], Left
	JF76 1DV	1	Z			KL	[DV], Right
	JF77 1DV	1	C, D			KL	[DV], Left
	JF76 1DV	1	C, D			KL	[DV], Right
	UA13 1DVAA	1	Z			KL	[DV], Left,Power
	UA12 1DVAA	1	Z			KL	[DV], Right,Power



DODGE - CHRYSLER NEON (PL)

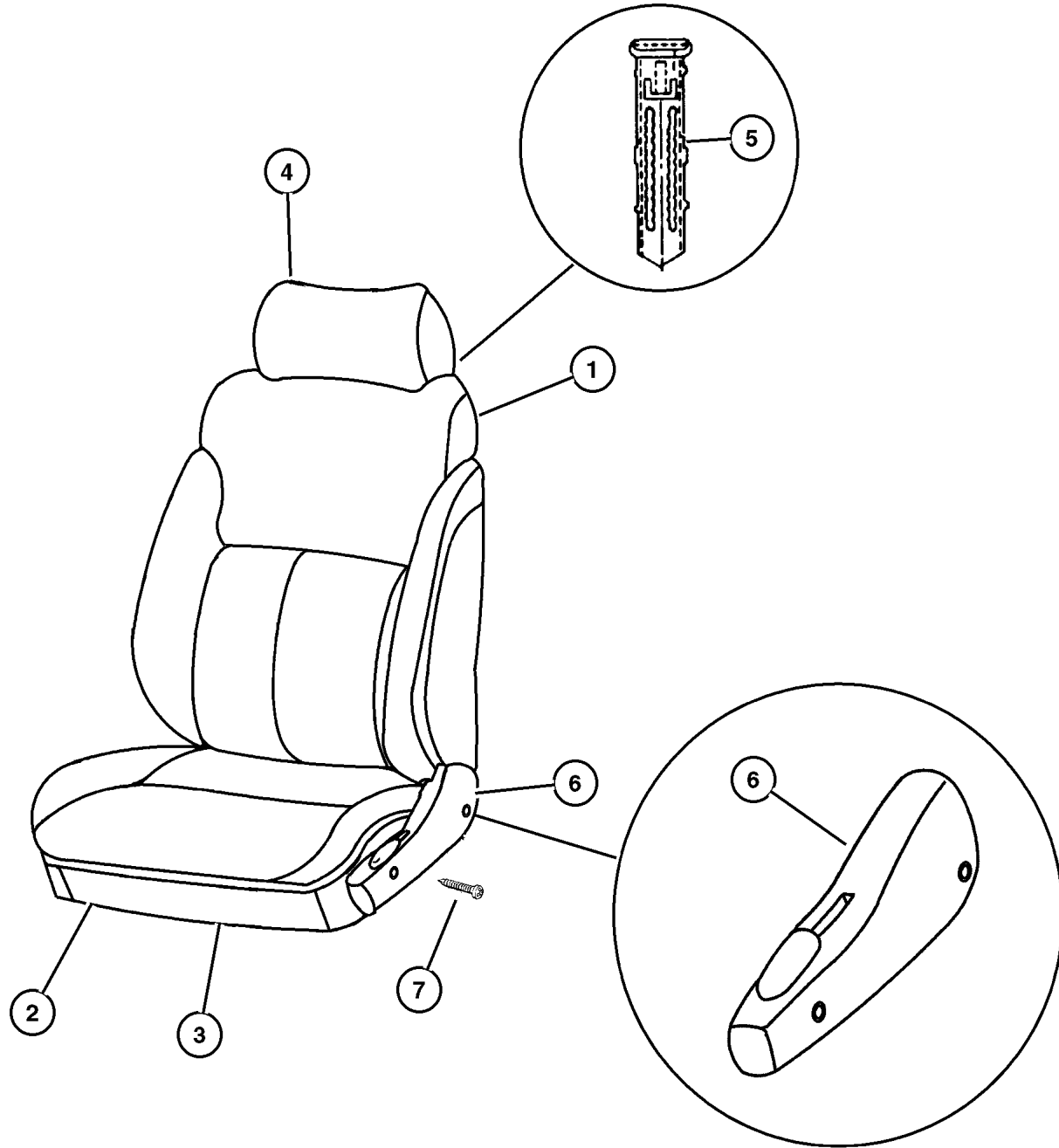
SERIES	LINE	BODY	ENGINE	TRANSMISSION
L=Low Line	Z= Chrysler, RHD	41 = 4 Door,	ECB = 2.0L 4 Cyl. , 16V SMPI	DD5 = 5 Speed Manual
H=High Line	D= Dodge	104WB	ECH = 2.0L 4 Cyl, 16V SOHC	DGL = 4 Speed Automatic
S = Special	C= Chrysler		EJD, EJ0 = 1.6L 4 Cyl 16v, SOHC	DG0 = All Automatics
P = Premium				DBB = All 5 Speed Manual
X = R/T				

AR = Use as required - = Non illustrated part # = New this model year

April 9, 2002

Seat Front - Trim Code [CL, KL]
Figure IPL-520

ITEM	PART NUMBER	QTY	LINE	SERIES	BODY	TRIM	DESCRIPTION
	UA13 1DVAA	1	C, D			KL	[DV], Left,Power
	UA12 1DVAA	1	C, D			KL	[DV], Right,Power
7							SCREW, (NOT SERVICED)



DODGE - CHRYSLER NEON (PL)

SERIES	LINE	BODY	ENGINE	TRANSMISSION
L=Low Line	Z= Chrysler, RHD	41 = 4 Door,	ECB = 2.0L 4 Cyl. , 16V SMPI	DD5 = 5 Speed Manual
H=High Line	D= Dodge	104WB	ECH = 2.0L 4 Cyl, 16V SOHC	DGL = 4 Speed Automatic
S = Special	C= Chrysler		EJD, EJ0 = 1.6L 4 Cyl 16v, SOHC	DG0 = All Automatics
P = Premium				DBB = All 5 Speed Manual
X = R/T				

AR = Use as required - = Non illustrated part # = New this model year

April 9, 2002

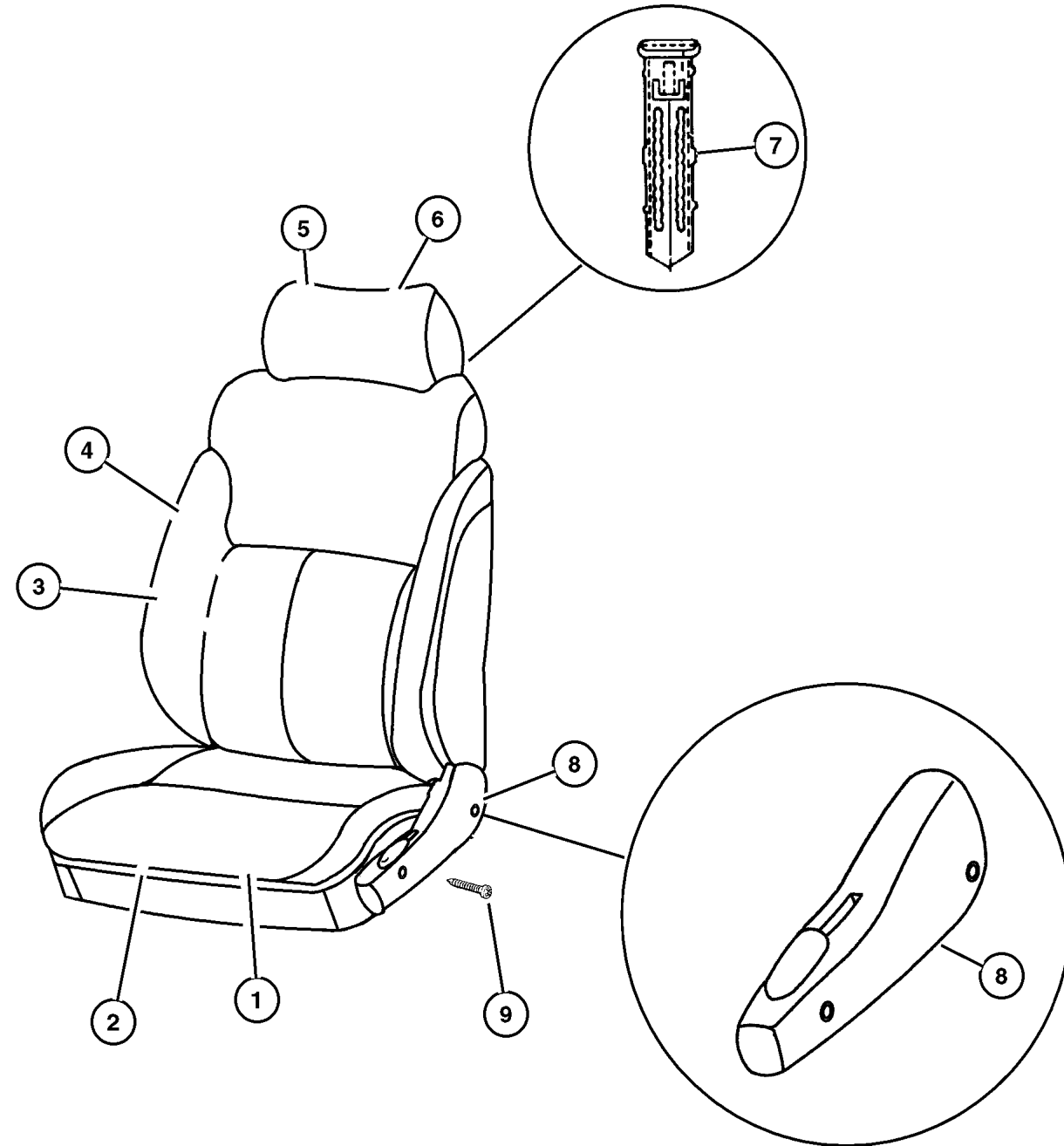
**Seat Front - Trim Code [A7, R7]
Figure IPL-525**

ITEM	PART NUMBER	QTY	LINE	SERIES	BODY	TRIM	DESCRIPTION
------	-------------	-----	------	--------	------	------	-------------

Note: n key.

Sales Code [CJ1] = Air bags side front seats. n key.

1							CUSHION, Front Seat
	TZ96 1DVAA	1	C, D			A7	Right
	TZ97 1DVAA	1	C, D			A7	Left
	TZ96 1DVAA	1	C, D			R7	[DV], Right
	TZ96 1L5AA	1	C, D			R7	[L5], Right
	TZ97 1DVAA	1	C, D			R7	[DV], Left
	TZ97 1L5AA	1	C, D			R7	[L5], Left
2							COVER, Front Seat Cushion
	UA06 1DVAA	1	C, D			A7	[DV], Right & Left
		1	C, D			R7	[DV], Right & Left
	UA06 1L5AA	1	C, D			R7	[L5], Right & Left
3							SEAT BACK, Front
	UA18 1DVAA	1	C, D			A7	Right
	UA19 1DVAA	1	C, D			A7	Left
	#WX98 1DVAA	1	C, D			A7	With [CJ1], Air Bags Side Front Seats, Right
	#WX99 1DVAA	1	C, D			A7	With [CJ1], Air Bags Side Front Seats, Left
	UA18 1DVAA	1	C, D			R7	[DV], Right
	UA18 1L5AA	1	C, D			R7	[L5], Right
	UA19 1DVAA	1	C, D			R7	[DV], Left
	UA19 1L5AA	1	C, D			R7	[L5], Left
	#WX98 1DVAA	1	C, D			R7	[DV], With [CJ1], Air Bags Side Front Seats, Right
	#WX98 1L5AA	1	C, D			R7	[L5], With [CJ1], Air Bags Side Front Seats, Right
	#WX99 1DVAA	1	C, D			R7	[DV], With [CJ1], Air Bags Side Front Seats, Left
	#WX99 1L5AA	1	C, D			R7	[L5], With [CJ1], Air Bags Side Front Seats, Left
4							COVER, Front Seat Back
	UA10 1DVAA	1	C, D			A7	
	#WY00 1DVAA	1	C, D			A7	With [CJ1], Air Bags Side Front Seats
	UA10 1DVAA	1	C, D			R7	[DV]
	UA10 1L5AA	1	C, D			R7	[L5]
	#WY00 1DVAA	1	C, D			R7	[DV], With [CJ1], Air Bags Side Front Seats
	#WY00 1L5AA	1	C, D			R7	[L5], With [CJ1], Air Bags Side Front Seats
5							HEADREST, Front
	#WX93 1DVAA	1	C, D			A7	[DV]
		1	C, D			R7	[DV]
	#WX93 1L5AA	1	C, D			R7	[L5]
6							COVER, Seat Headrest, (NOT SERVICED)
7							SLEEVE, Headrest
	UA16 1DVAA	1	C, D			A7	Right
	UA17 1DVAA	1	C, D			A7	Left



DODGE - CHRYSLER NEON (PL)

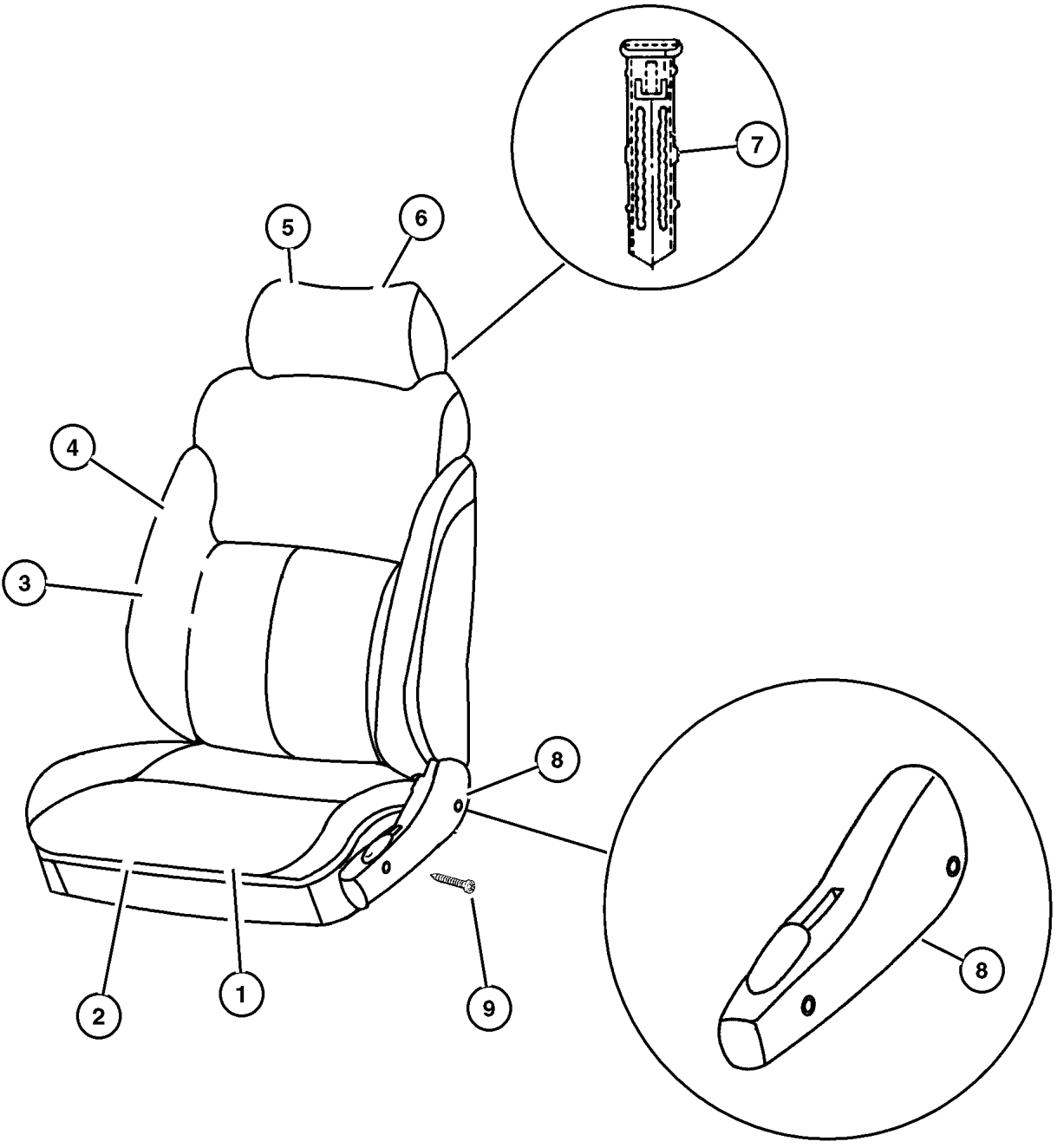
SERIES	LINE	BODY	ENGINE	TRANSMISSION
L=Low Line	Z= Chrysler, RHD	41 = 4 Door,	ECB = 2.0L 4 Cyl. , 16V SMPI	DD5 = 5 Speed Manual
H=High Line	D= Dodge	104WB	ECH = 2.0L 4 Cyl, 16V SOHC	DGL = 4 Speed Automatic
S = Special	C= Chrysler		EJD, EJ0 = 1.6L 4 Cyl 16v, SOHC	DG0 = All Automatics
P = Premium				DBB = All 5 Speed Manual
X = R/T				

AR = Use as required - = Non illustrated part # = New this model year

April 9, 2002

**Seat Front - Trim Code [A7, R7]
Figure IPL-525**

ITEM	PART NUMBER	QTY	LINE	SERIES	BODY	TRIM	DESCRIPTION
	UA16 1DVAA	1	C, D			R7	[DV], Right
	UA16 1L5AA	1	C, D			R7	[L5], Right
	UA17 1DVAA	1	C, D			R7	[DV], Left
	UA17 1L5AA	1	C, D			R7	[L5], Left
8							SHIELD, Seat Cushion
	JF76 1DV	1	C, D			A7	Right
	JF77 1DV	1	C, D			A7	Left
	JF76 1DV	1	C, D			R7	[DV], Right
	JF76 1L5	1	C, D			R7	[L5], Right
	JF77 1DV	1	C, D			R7	[DV], Left
	JF77 1L5	1	C, D			R7	[L5], Left
9							SCREW, Side Shield (10-24x1.030 T-20 Torx), (NOT SERVICED)



DODGE - CHRYSLER NEON (PL)

SERIES	LINE	BODY	ENGINE	TRANSMISSION
L=Low Line	Z= Chrysler, RHD	41 = 4 Door,	ECB = 2.0L 4 Cyl. , 16V SMPI	DD5 = 5 Speed Manual
H=High Line	D= Dodge	104WB	ECH = 2.0L 4 Cyl, 16V SOHC	DGL = 4 Speed Automatic
S = Special	C= Chrysler		EJD, EJO = 1.6L 4 Cyl 16v, SOHC	DG0 = All Automatics
P = Premium				DBB = All 5 Speed Manual
X = R/T				

AR = Use as required - = Non illustrated part # = New this model year

April 9, 2002

**Seat Front - Trim Code [RL, XL]
Figure IPL-530**

ITEM	PART NUMBER	QTY	LINE	SERIES	BODY	TRIM	DESCRIPTION
------	-------------	-----	------	--------	------	------	-------------

Note: n key.

Sales Code [CJ1] = Air bags side front seats n key.

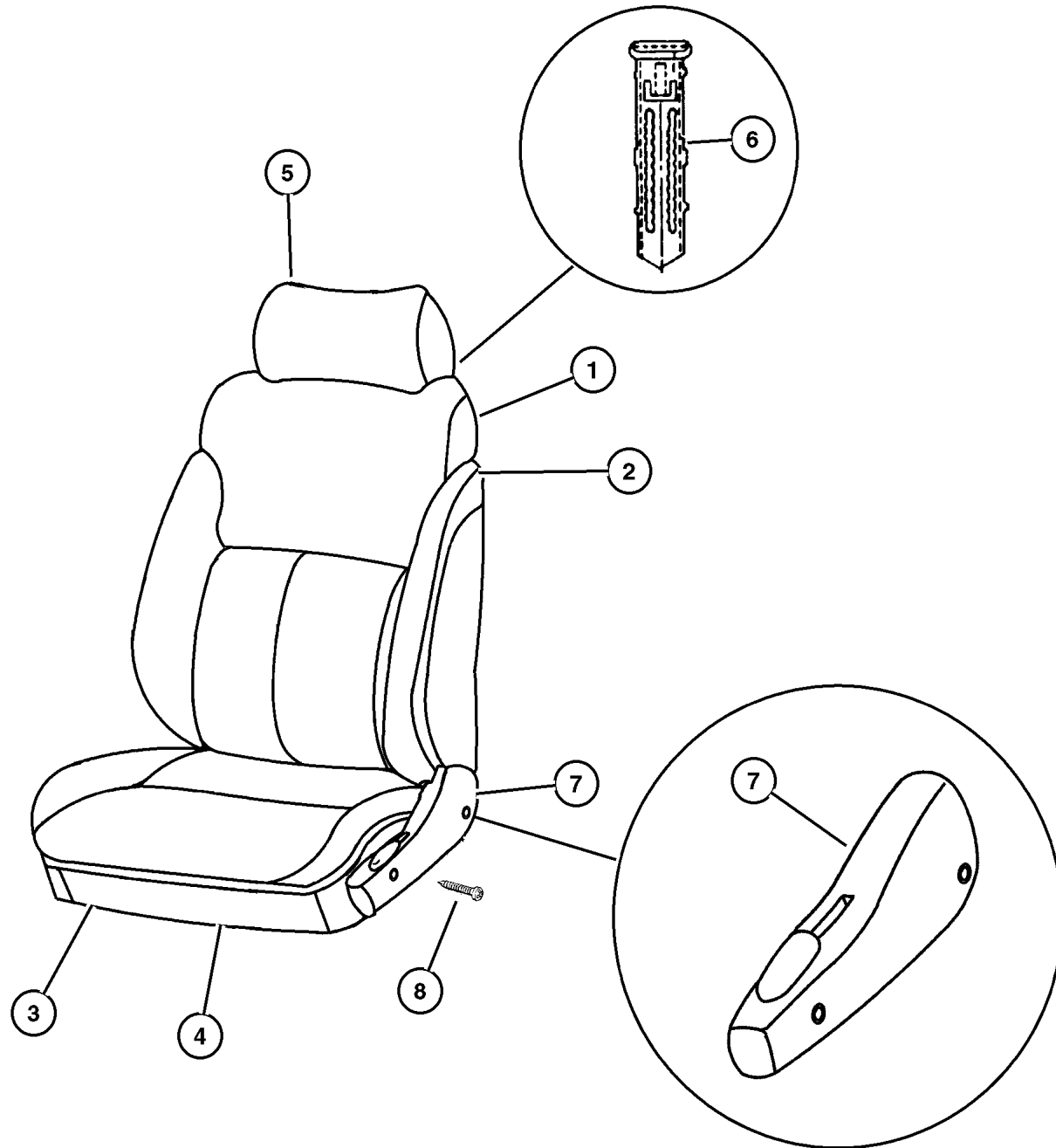
1							SEAT BACK, Front
	WG88 1DVAA	1				RL	[DV], Right
	WG88 1L5AA	1				RL	[L5], Right
	WG89 1DVAA	1				RL	[DV], Left
	WG89 1L5AA	1				RL	[L5], Left
	#WX96 1DVAA	1	C, D			RL	[DV], With [CJ1], Air Bags Side Front Seats, Right
	#WX96 1L5AA	1	C, D			RL	[L5], With [CJ1], Air Bags Side Front Seats, Right
	#WX97 1DVAA	1	C, D			RL	[DV], With [CJ1], Air Bags Side Front Seats, Left
	#WX97 1L5AA	1	C, D			RL	[L5], With [CJ1], Air Bags Side Front Seats, Left
	WG88 1DVAA	1				XL	[DV], Right
	WG88 1L5AA	1				XL	[L5], Right
	WG89 1DVAA	1				XL	[DV], Left
	WG89 1L5AA	1				XL	[L5], Left
	#WX96 1DVAA	1	C, D			XL	[DV], With [CJ1], Air Bags Side Front Seats, Right
	#WX96 1L5AA	1	C, D			XL	[L5], With [CJ1], Air Bags Side Front Seats, Right
	#WX97 1DVAA	1	C, D			XL	[DV], With [CJ1], Air Bags Side Front Seats, Left
	#WX97 1L5AA	1	C, D			XL	[L5], With [CJ1], Air Bags Side Front Seats, Left
2							COVER, Front Seat Back, With Air Bags Not serviced
	WG90 1DVAA	1				RL	[DV], Without [CJ1], Air Bags Side Front Seats
	WG90 1L5AA	1				RL	[L5], Without [CJ1], Air Bags Side Front Seats
	WG90 1DVAA	1				XL	[DV], Without [CJ1], Air Bags Side Front Seats
	WG90 1L5AA	1				XL	[L5], Without [CJ1], Air Bags Side Front Seats
3							CUSHION, Front Seat
	TB92 1DVAA	1				RL	[DV], Right
	TB92 1L5AA	1				RL	[L5], Right
	TB93 1DVAA	1				RL	[DV], Left
	TB93 1L5AA	1				RL	[L5], Left
	TB92 1DVAA	1				XL	[DV], Right
	TB92 1L5AA	1				XL	[L5], Right
	TB93 1DVAA	1				XL	[DV], Left
	TB93 1L5AA	1				XL	[L5], Left
4							COVER, Front Seat Cushion
	TB98 1DVAA	1				RL	[DV], Right
	TB98 1L5AA	1				RL	[L5], Right
	TB99 1DVAA	1				RL	[DV], Left
	TB99 1L5AA	1				RL	[L5], Left
	TB98 1DVAA	1				XL	[DV], Right
	TB98 1L5AA	1				XL	[L5], Right

DODGE - CHRYSLER NEON (PL)

SERIES	LINE	BODY	ENGINE	TRANSMISSION
L=Low Line	Z= Chrysler, RHD	41 = 4 Door,	ECB = 2.0L 4 Cyl. , 16V SMPI	DD5 = 5 Speed Manual
H=High Line	D= Dodge	104WB	ECH = 2.0L 4 Cyl, 16V SOHC	DGL = 4 Speed Automatic
S = Special	C= Chrysler		EJD, EJ0 = 1.6L 4 Cyl 16v, SOHC	DG0 = All Automatics
P = Premium				DBB = All 5 Speed Manual
X = R/T				

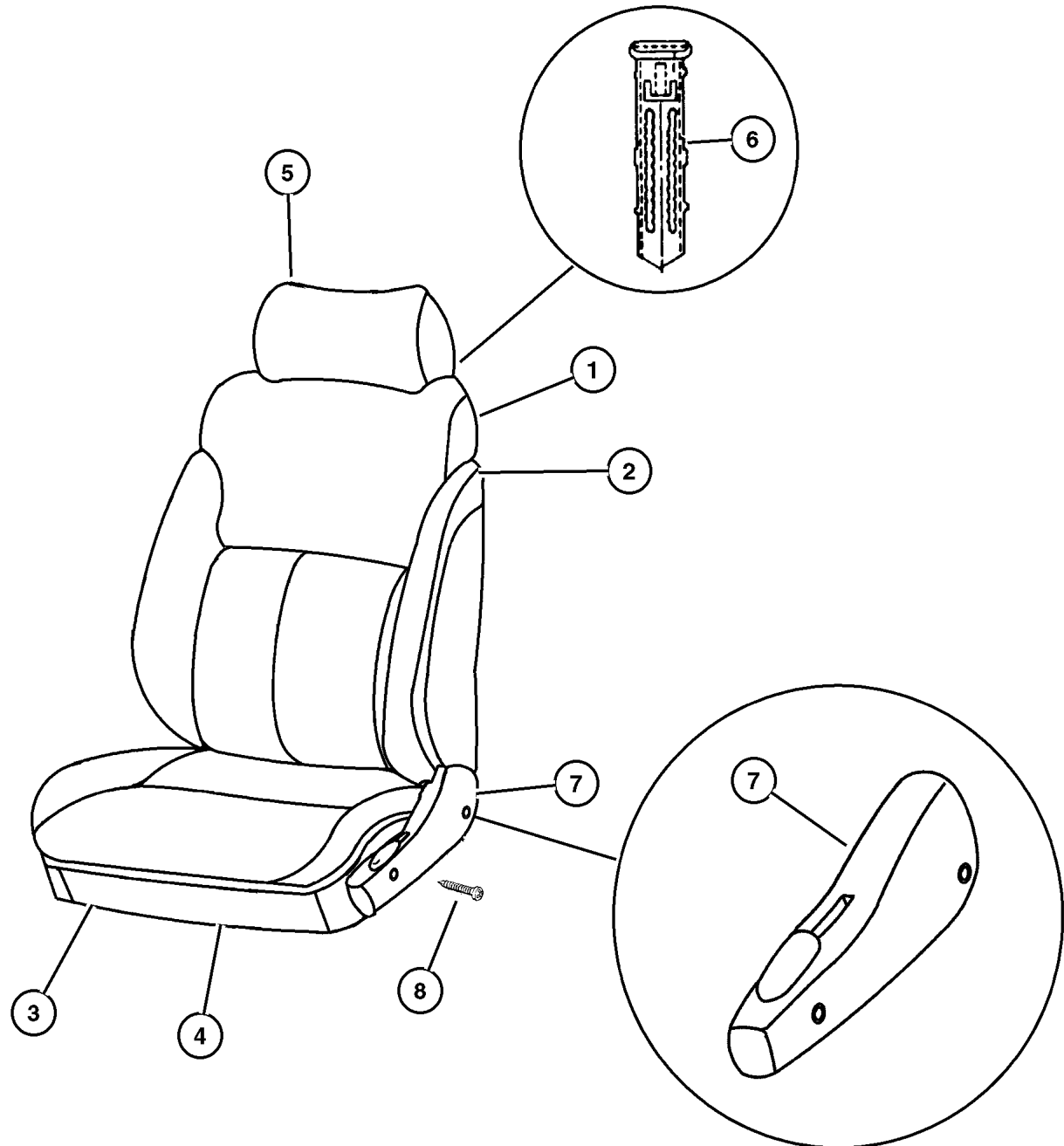
AR = Use as required - = Non illustrated part # = New this model year

April 9, 2002



**Seat Front - Trim Code [RL, XL]
Figure IPL-530**

ITEM	PART NUMBER	QTY	LINE	SERIES	BODY	TRIM	DESCRIPTION
	TB99 1DVAA	1				XL	[DV], Left
	TB99 1L5AA	1				XL	[L5], Left
5	#WX04 1DVAA	1				RL	[DV]
	#WX04 1L5AA	1				RL	[L5]
	#WX04 1DVAA	1				XL	[DV]
	#WX04 1L5AA	1				XL	[L5]
6	UA16 1DVAA	1				RL	[DV], Non-Locking, Right
	UA16 1L5AA	1				RL	[L5], Non-Locking, Right
	UA17 1DVAA	1				RL	[DV], Locking, Left
	UA17 1L5AA	1				RL	[L5], Locking, Left
	UA16 1DVAA	1				XL	[DV], Non-Locking, Right
	UA16 1L5AA	1				XL	[L5], Non-Locking, Right
	UA17 1DVAA	1				XL	[DV], Locking, Left
	UA17 1L5AA	1				XL	[L5], Locking, Left
7	JF76 1DV	1				RL	[DV], Right
	JF76 1L5	1				RL	[L5], Right
	JF77 1DV	1				RL	[DV], Left
	JF77 1L5	1				RL	[L5], Left
	JF76 1L5	1				XL	[L5], Right
	JF76 1DV	1				XL	[DV], Right
	JF77 1DV	1				XL	[DV], Left
	JF77 1L5	1				XL	[L5], Left
8							SCREW, (NOT SERVICED)



DODGE - CHRYSLER NEON (PL)

SERIES	LINE	BODY	ENGINE	TRANSMISSION
L=Low Line	Z= Chrysler, RHD	41 = 4 Door,	ECB = 2.0L 4 Cyl. , 16V SMPI	DD5 = 5 Speed Manual
H=High Line	D= Dodge	104WB	ECH = 2.0L 4 Cyl, 16V SOHC	DGL = 4 Speed Automatic
S = Special	C= Chrysler		EJD, EJ0 = 1.6L 4 Cyl 16v, SOHC	DG0 = All Automatics
P = Premium				DBB = All 5 Speed Manual
X = R/T				

AR = Use as required - = Non illustrated part # = New this model year

April 9, 2002

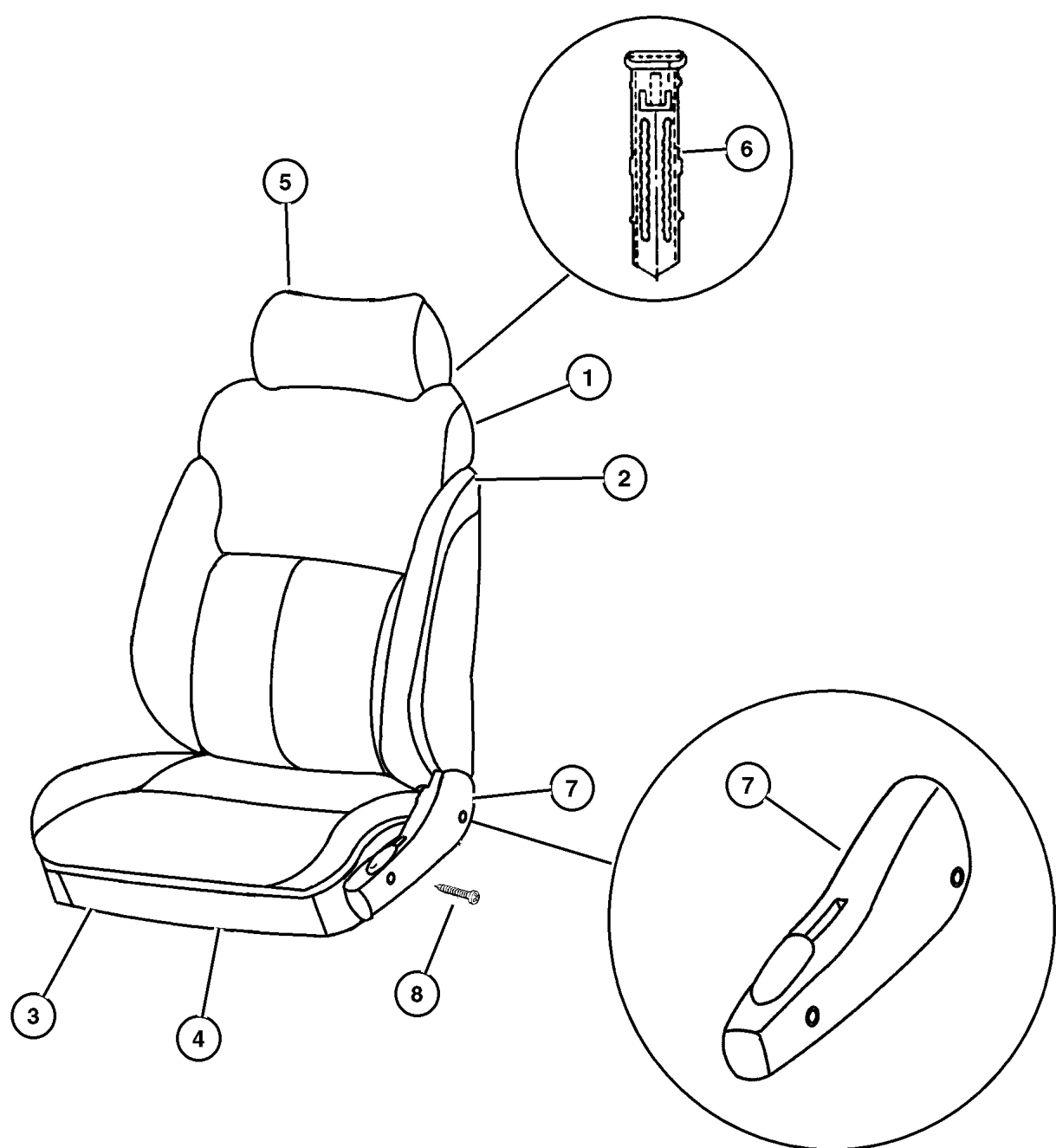
**Seat Front - Trim Code [L7]
Figure IPL-535**

ITEM	PART NUMBER	QTY	LINE	SERIES	BODY	TRIM	DESCRIPTION
------	-------------	-----	------	--------	------	------	-------------

Note: n key.

Sales Code [CJ1] = Air bags side front seats n key.

1							SEAT BACK, Front
	#WV12 1DVAA	1				L7	Right
	#WV13 1DVAA	1				L7	Left
	#WV14 1DVAA	1				L7	With [CJ1], Air Bags Side Front Seats, Right
	#WV15 1DVAA	1				L7	With [CJ1], Air Bags Side Front Seats, Left
2	#WV22 1DVAA	1				L7	COVER, Front Seat Back, With Air Bags Not serviced
3	#WV10 1DVAA	1				L7	CUSHION, Front Seat
4	#WV21 1DVAA	1				L7	COVER, Front Seat Cushion
5	#WV02 1DVAA	1				L7	HEADREST, Front
6							SLEEVE, Headrest
	UA16 1DVAA	1				L7	Non-Locking
	UA17 1DVAA	1				L7	Locking
7							SHIELD, Seat Cushion
	JF76 1DV	1				L7	Right
	JF77 1DV	1				L7	Left
8							SCREW, (NOT SERVICED)



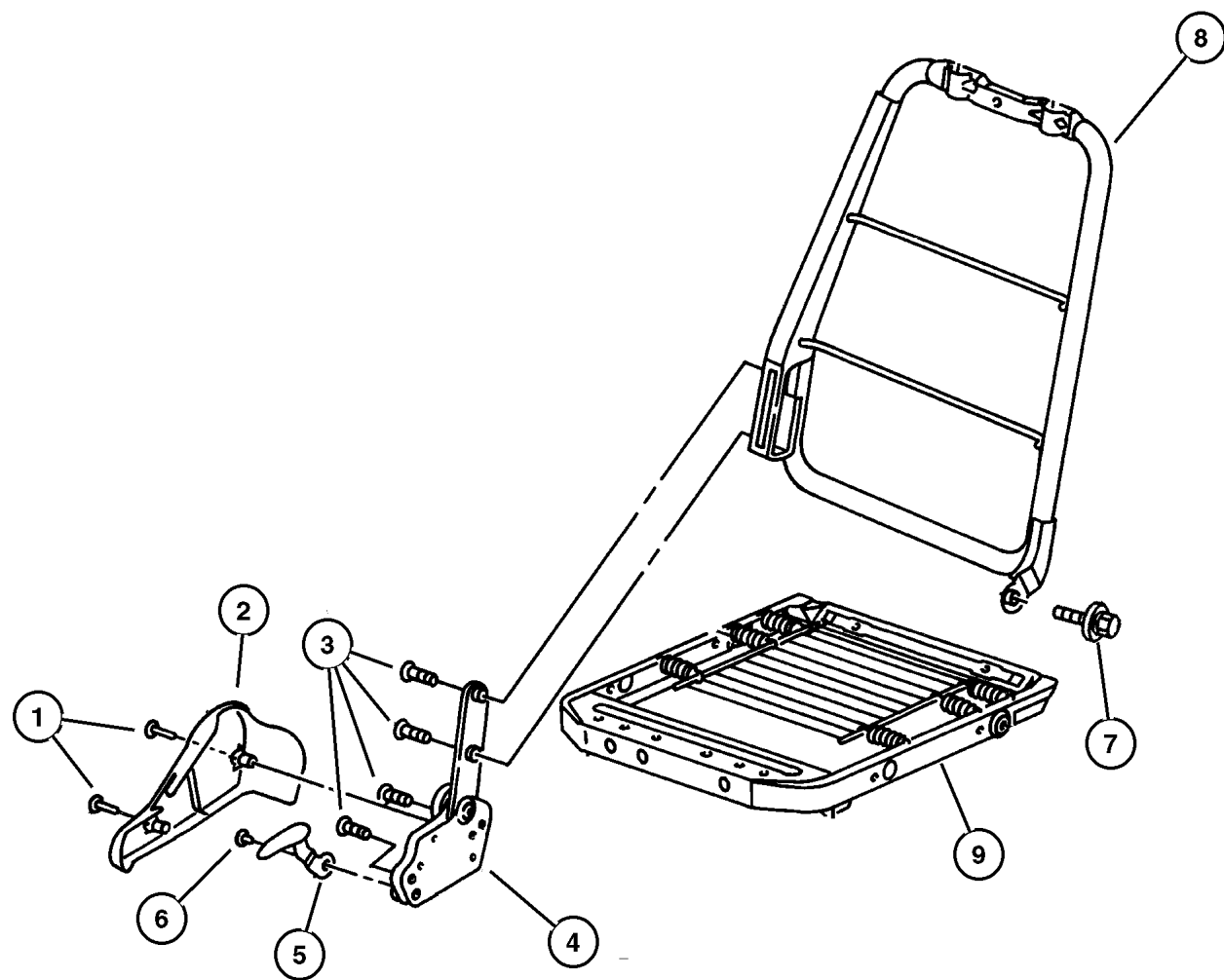
DODGE - CHRYSLER NEON (PL)

SERIES	LINE	BODY	ENGINE	TRANSMISSION
L=Low Line	Z= Chrysler, RHD	41 = 4 Door,	ECB = 2.0L 4 Cyl. , 16V SMPI	DD5 = 5 Speed Manual
H=High Line	D= Dodge	104WB	ECH = 2.0L 4 Cyl, 16V SOHC	DGL = 4 Speed Automatic
S = Special	C= Chrysler		EJD, EJO = 1.6L 4 Cyl 16v, SOHC	DG0 = All Automatics
P = Premium				DBB = All 5 Speed Manual
X = R/T				

AR = Use as required - = Non illustrated part # = New this model year

April 9, 2002

Seat Reclining - Attaching Parts Figure IPL-540



ITEM	PART NUMBER	QTY	LINE	SERIES	BODY	TRIM	DESCRIPTION
1							SCREW, Side Shield Attaching (10-24x1.030 T-20 Torx), (NOT SERVICED)
2							SHIELD, Seat Cushion
	JF76 1DV	1	C, D			A7	Right
	JF77 1DV	1	C, D			A7	Left
	UA13 1L5AA	1				B7	[L5], Left,Power
	UA13 1DVAA	1				B7	[DV], Left,Power
	JF76 1L5	1				B7	[L5], Right
	JF76 1DV	1				B7	[DV], Right
	JF77 1DV	1	Z			C7	[DV], Left
	JF77 1L5	1	Z			C7	[L5], Left
	UA12 1DVAA	1	C, D			C7	[DV], Right,Power
		1	Z			C7	[DV], Right,Power
	UA12 1L5AA	1	C, D			C7	[L5], Right,Power
		1	Z			C7	[L5], Right,Power
	UA13 1DVAA	1	C, D			C7	[DV], Left,Power
	UA13 1L5AA	1	C, D			C7	[L5], Left,Power
	UA13 1DVAA	1	Z			C7	[DV], Left,Power
	UA13 1L5AA	1	Z			C7	[L5], Left,Power
	JF76 1DV	1	C, D			C7	[DV], Right
	JF76 1L5	1	C, D			C7	[L5], Right
	JF76 1DV	1	Z			C7	[DV], Right
	JF76 1L5	1	Z			C7	[L5], Right
	JF77 1DV	1	C, D			C7	[DV], Left
	JF77 1L5	1	C, D			C7	[L5], Left
	UA13 1L5AA	1	Z			CL	[L5], Left,Power
		1	C, D			CL	[L5], Left,Power
	UA13 1DVAA	1	Z			CL	[DV], Left,Power
		1	C, D			CL	[DV], Left,Power
	UA12 1L5AA	1	Z			CL	[L5], Right,Power
		1	C, D			CL	[L5], Right,Power
	UA12 1DVAA	1	Z			CL	[DV], Right,Power
		1	C, D			CL	[DV], Right,Power
	JF76 1DV	1	C, D			CL	[DV], Right
		1	Z			CL	[DV], Right
	JF76 1L5	1	C, D			CL	[L5], Right
		1	Z			CL	[L5], Right
	JF77 1DV	1	Z			CL	[DV], Left
		1	C, D			CL	[DV], Left
	JF77 1L5	1	Z			CL	[L5], Left
		1	C, D			CL	[L5], Left

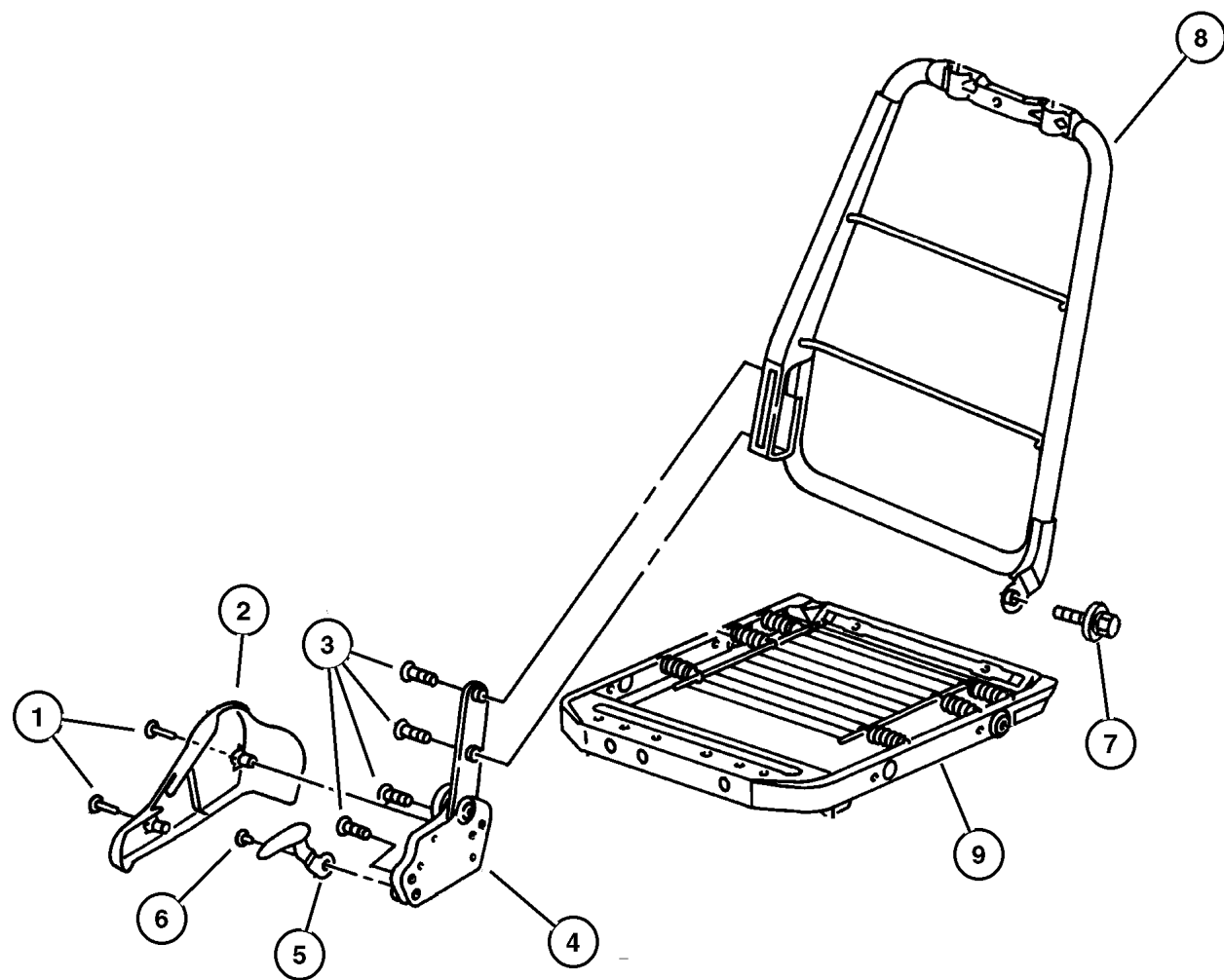
DODGE - CHRYSLER NEON (PL)

SERIES	LINE	BODY	ENGINE	TRANSMISSION
L=Low Line	Z= Chrysler, RHD	41 = 4 Door,	ECB = 2.0L 4 Cyl. , 16V SMPI	DD5 = 5 Speed Manual
H=High Line	D= Dodge	104WB	ECH = 2.0L 4 Cyl, 16V SOHC	DGL = 4 Speed Automatic
S = Special	C= Chrysler		EJD, EJ0 = 1.6L 4 Cyl 16v, SOHC	DG0 = All Automatics
P = Premium				DBB = All 5 Speed Manual
X = R/T				

AR = Use as required - = Non illustrated part # = New this model year

April 9, 2002

Seat Reclining - Attaching Parts Figure IPL-540



ITEM	PART NUMBER	QTY	LINE	SERIES	BODY	TRIM	DESCRIPTION
	JF76 1DV	1				K7	[DV], Right
	JF76 1L5	1				K7	[L5], Right
	JF77 1DV	1				K7	[DV], Left
	JF77 1L5	1				K7	[L5], Left
	JF76 1DV	1	Z			KL	Right
	UA12 1DVAA	1	Z			KL	Right,Power
		1	C, D			KL	Right,Power
	JF77 1DV	1	Z			KL	Left
		1	C, D			KL	Left
	JF76 1DV	1	C, D			KL	Right
	UA13 1DVAA	1	C, D			KL	Left,Power
		1	Z			KL	Left,Power
	JF76 1DV	1				L7	Right
	JF77 1DV	1				L7	Left
	JF77 1L5	1	C, D			R7	[L5], Left
	JF77 1DV	1	C, D			R7	[DV], Left
	JF76 1DV	1	C, D			R7	[DV], Right
	JF76 1L5	1	C, D			R7	[L5], Right
	JF76 1DV	1	C, D			XL	[DV], Right
	JF77 1DV	1	C, D			XL	[DV], Left
	JF77 1L5	1	C, D			XL	[L5], Left
3	JF76 1L5	1	C, D			XL	[L5], Right
							BOLT, Recliner
	4746 997	1	C, D			A7	
		1				B7	
		1	Z			C7	
		1	C, D			C7	
		1	Z			CL	
		1	C, D			CL	
		1				K7	
		1	C, D			KL	
		1	Z			KL	
		1				L7	
		1				RL	
		1				XL	
4							RECLINER, Seat Back
	4797 319	1	C, D			A7	Left
	4797 318	1	C, D			A7	Right
	4797 319	1				B7	Left
	4797 318	1				B7	Right
		1	Z			C7	Right

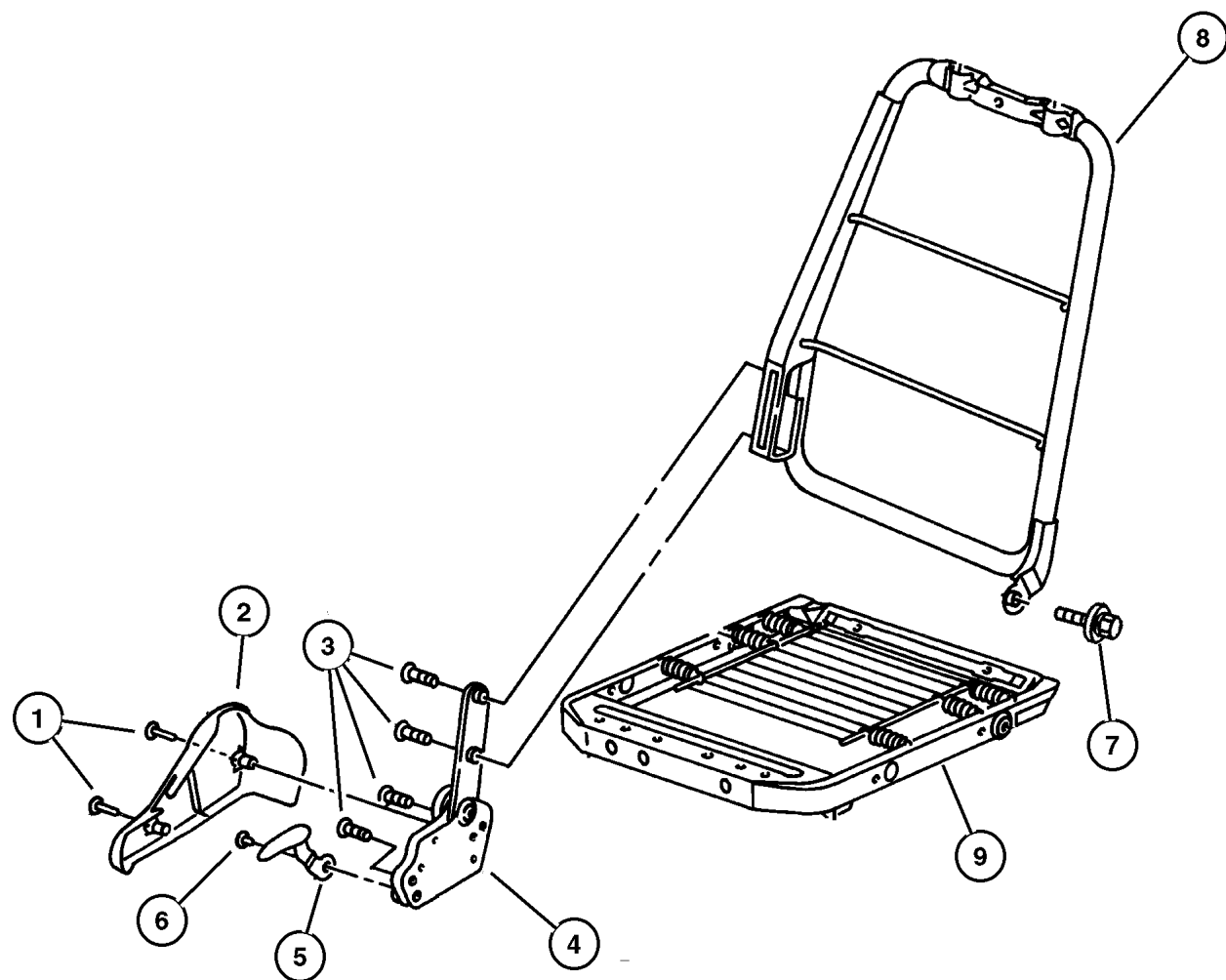
DODGE - CHRYSLER NEON (PL)

SERIES	LINE	BODY	ENGINE	TRANSMISSION
L=Low Line	Z= Chrysler, RHD	41 = 4 Door,	ECB = 2.0L 4 Cyl. , 16V SMPI	DD5 = 5 Speed Manual
H=High Line	D= Dodge	104WB	ECH = 2.0L 4 Cyl, 16V SOHC	DGL = 4 Speed Automatic
S = Special	C= Chrysler		EJD, EJ0 = 1.6L 4 Cyl 16v, SOHC	DG0 = All Automatics
P = Premium				DBB = All 5 Speed Manual
X = R/T				

AR = Use as required - = Non illustrated part # = New this model year

April 9, 2002

Seat Reclining - Attaching Parts
Figure IPL-540



ITEM	PART NUMBER	QTY	LINE	SERIES	BODY	TRIM	DESCRIPTION
		1	C, D			C7	Right
	4797 319	1	Z			C7	Left
		1	C, D			C7	Left
		1	Z			CL	Left
		1	C, D			CL	Left
	4797 318	1	C, D			CL	Right
		1	Z			CL	Right
		1				K7	Right
	4797 319	1				K7	Left
	4797 318	1	Z			KL	Right
		1	C, D			KL	Right
	4797 319	1	C, D			KL	Left
		1	Z			KL	Left
		1				L7	Left
	4797 318	1				L7	Right
	4797 319	1	C, D			R7	Left
	4797 318	1	C, D			R7	Right
	4797 319	1				XL	Left
	4797 318	1				XL	Right
5							HANDLE, Recliner
	4740 987	1	C, D			A7	Left
	4740 986	1	C, D			A7	Right
	4740 987	1				B7	Left
	4740 986	1				B7	Right
		1	C, D			C7	Right
		1	Z			C7	Right
	4740 987	1	C, D			C7	Left
		1	Z			C7	Left
	4740 986	1	Z			CL	Right
		1	C, D			CL	Right
	4740 987	1	C, D			CL	Left
		1	Z			CL	Left
	4740 986	1				K7	Right
	4740 987	1				K7	Left
	4740 986	1	C, D			KL	Right
		1	Z			KL	Right
	4740 987	1	Z			KL	Left
		1	C, D			KL	Left
	4740 986	1				L7	Right
	4740 987	1				L7	Left
		1	C, D			R7	Left

DODGE - CHRYSLER NEON (PL)

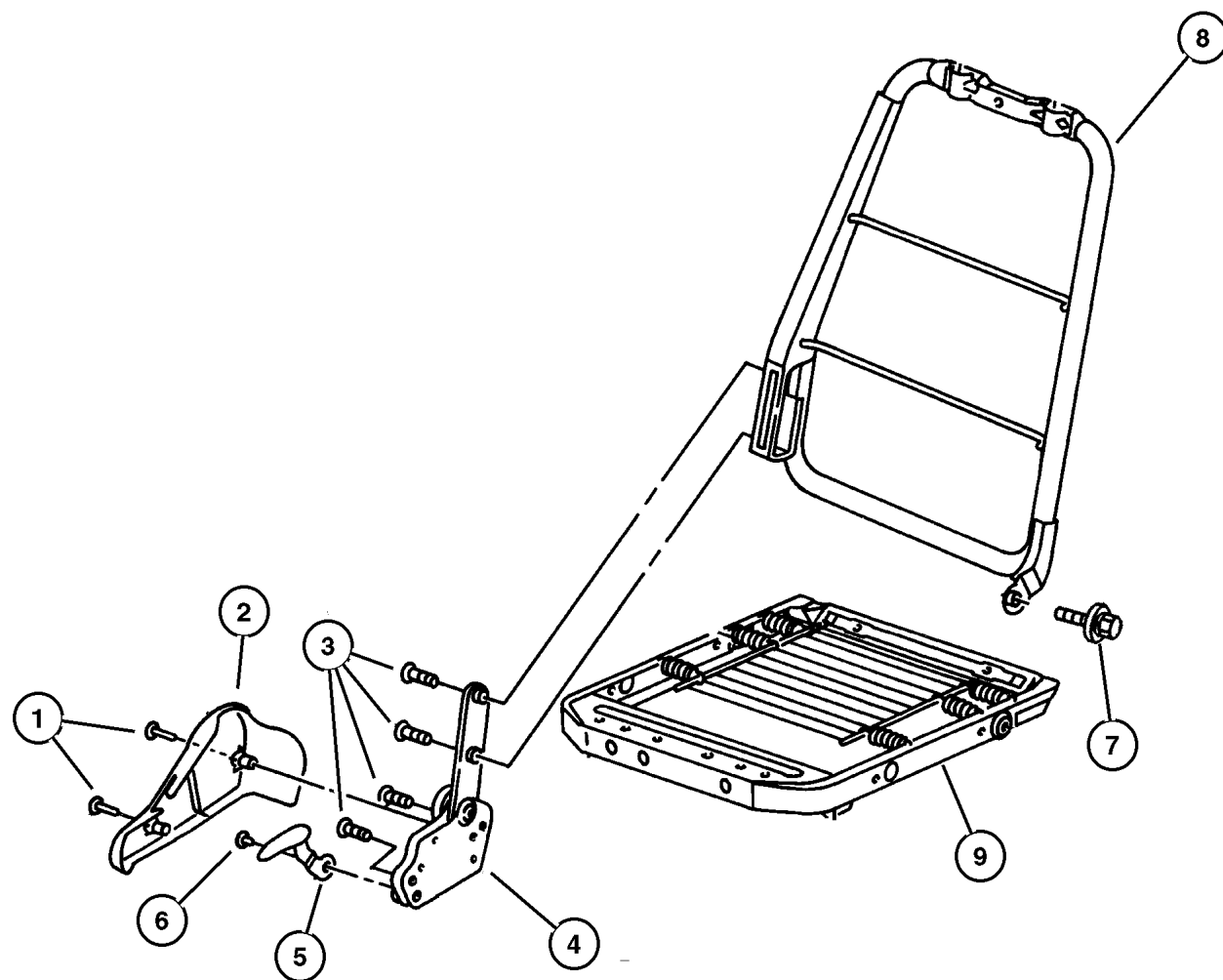
SERIES	LINE	BODY	ENGINE	TRANSMISSION
L=Low Line	Z= Chrysler, RHD	41 = 4 Door,	ECB = 2.0L 4 Cyl. , 16V SMPI	DD5 = 5 Speed Manual
H=High Line	D= Dodge	104WB	ECH = 2.0L 4 Cyl, 16V SOHC	DGL = 4 Speed Automatic
S = Special	C= Chrysler		EJD, EJ0 = 1.6L 4 Cyl 16v, SOHC	DG0 = All Automatics
P = Premium				DBB = All 5 Speed Manual
X = R/T				

AR = Use as required - = Non illustrated part # = New this model year

April 9, 2002

Seat Reclining - Attaching Parts Figure IPL-540

ITEM	PART NUMBER	QTY	LINE	SERIES	BODY	TRIM	DESCRIPTION
	4740 986	1	C, D			R7	Right
	4740 987	1				XL	Left
	4740 986	1				XL	Right
6							SCREW, Recliner Handle (M6x10-T30 Torx), (NOT SERVICED)
7							BOLT, Adjuster Shoulder
	4874 140	1	C, D			A7	
		1				B7	
		1	Z			C7	
		1	C, D			C7	
		1	Z			CL	
		1	C, D			CL	
		1				K7	
		1	C, D			KL	
		1	Z			KL	
		1				L7	
		1	C, D			R7	
		1				RL	
		1				XL	
8							FRAME, Front Seat Back, Serviced In Seat Back Assembly, (NOT SERVICED)
9							FRAME, Front Seat Cushion, Serviced In Seat Cushion Assembly, (NOT SERVICED)



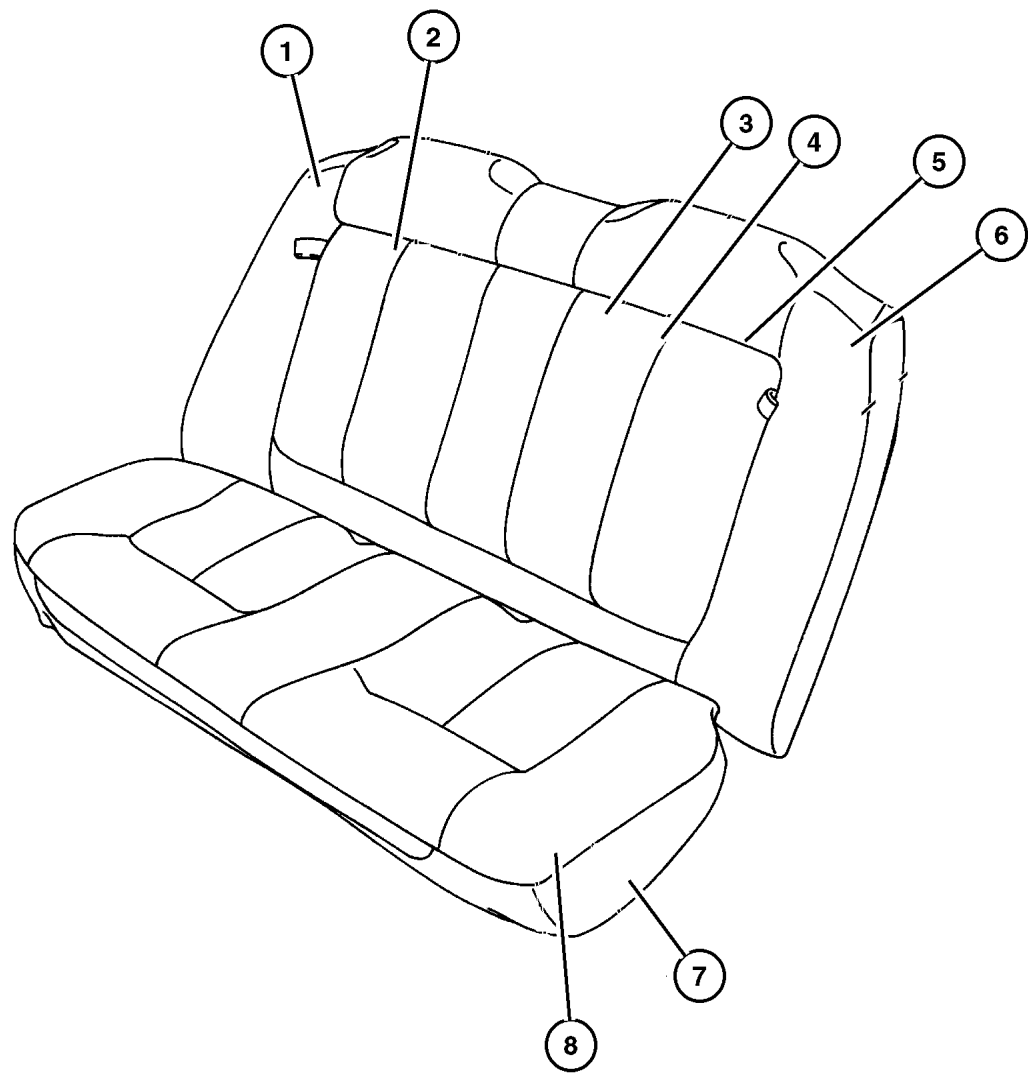
DODGE - CHRYSLER NEON (PL)

SERIES	LINE	BODY	ENGINE	TRANSMISSION
L=Low Line	Z= Chrysler, RHD	41 = 4 Door,	ECB = 2.0L 4 Cyl. , 16V SMPI	DD5 = 5 Speed Manual
H=High Line	D= Dodge	104WB	ECH = 2.0L 4 Cyl, 16V SOHC	DGL = 4 Speed Automatic
S = Special	C= Chrysler		EJD, EJO = 1.6L 4 Cyl 16v, SOHC	DG0 = All Automatics
P = Premium				DBB = All 5 Speed Manual
X = R/T				

AR = Use as required - = Non illustrated part # = New this model year

April 9, 2002

**Seat Rear - Trim Code [K7]
Figure IPL-605**



ITEM	PART NUMBER	QTY	LINE	SERIES	BODY	TRIM	DESCRIPTION
1							SEAT BACK, Rear, Full Rear Seat Back
	#WV26 1DVAA	1				K7	[DV]
	#WV26 1L5AA	1				K7	[L5]
2							SEAT BACK, Rear, 60%
	#WV06 1DVAA	1				K7	[DV]
	#WV06 1L5AA	1				K7	[L5]
3							SEAT BACK, Rear, 40%
	#WV07 1DVAA	1				K7	[DV]
	#WV07 1L5AA	1				K7	[L5]
4							COVER, Rear Seat Back, 60% Side, (NOT SERVICED)
5							COVER, Rear Seat Back, 40 % Side, (NOT SERVICED)
6							COLLAR, Rear Seat Back
	#WV23 1DVAA	1				K7	[DV]
	#WV23 1L5AA	1				K7	[L5]
7							CUSHION, Rear Seat
	#WV05 1DVAA	1				K7	[DV]
	#WV05 1L5AA	1				K7	[L5]
8							COVER, Rear Seat Cushion
	#WV20 1DVAA	1				K7	[DV]
	#WV20 1L5AA	1				K7	[L5]

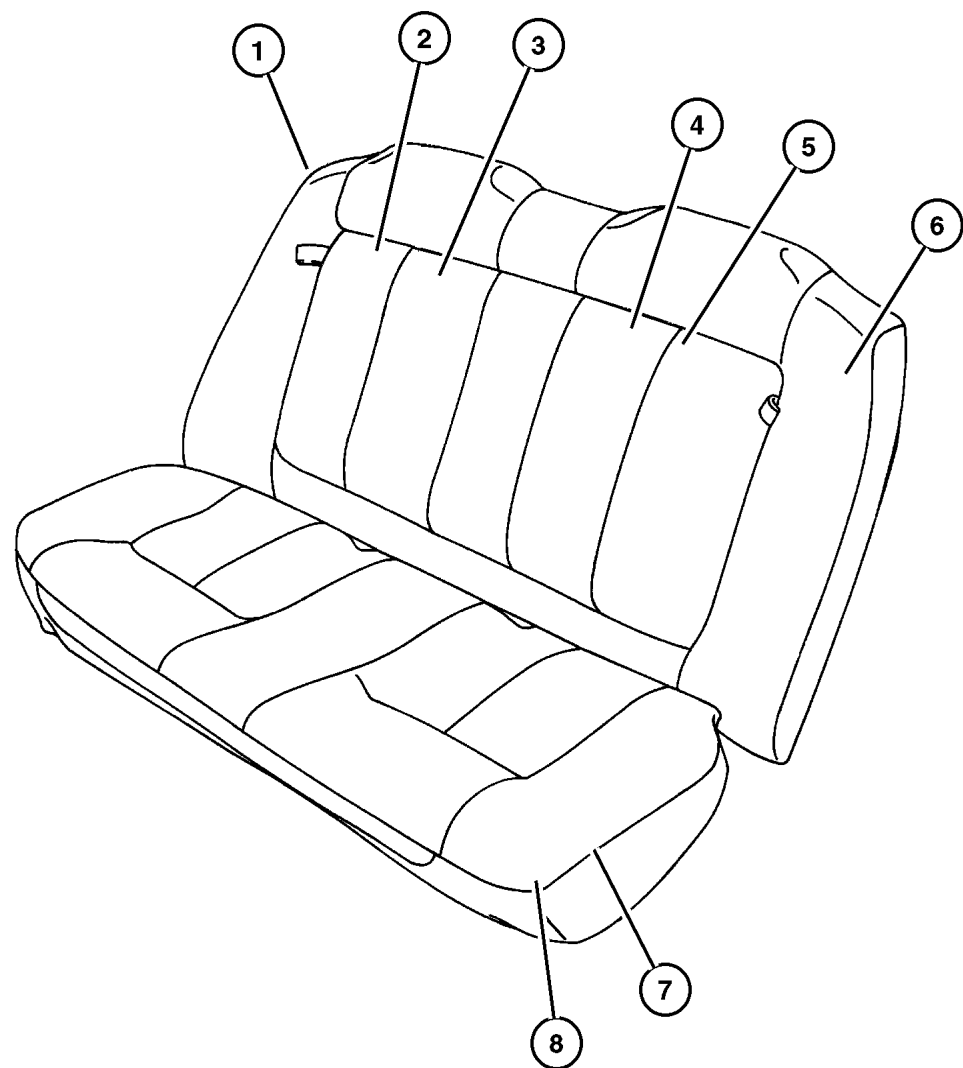
DODGE - CHRYSLER NEON (PL)

SERIES	LINE	BODY	ENGINE	TRANSMISSION
L=Low Line	Z= Chrysler, RHD	41 = 4 Door,	ECB = 2.0L 4 Cyl. , 16V SMPI	DD5 = 5 Speed Manual
H=High Line	D= Dodge	104WB	ECH = 2.0L 4 Cyl, 16V SOHC	DGL = 4 Speed Automatic
S = Special	C= Chrysler		EJD, EJO = 1.6L 4 Cyl 16v, SOHC	DG0 = All Automatics
P = Premium				DBB = All 5 Speed Manual
X = R/T				

AR = Use as required - = Non illustrated part # = New this model year

April 9, 2002

**Seat Rear - Trim Code [B7]
Figure IPL-610**



ITEM	PART NUMBER	QTY	LINE	SERIES	BODY	TRIM	DESCRIPTION
1							SEAT BACK, Rear, Complete
	#WY11 1DVAA	1				B7	[DV]
	#WY11 1L5AA	1				B7	[L5]
2							SEAT BACK, Rear, 40%
	#WY12 1DVAA	1				B7	[DV]
	#WY12 1L5AA	1				B7	[L5]
3							COVER, Rear Seat Back, 40 % Side, (NOT SERVICED)
4							SEAT BACK, Rear, 60%
	#WY13 1DVAA	1				B7	[DV]
	#WY13 1L5AA	1				B7	[L5]
5							COVER, Rear Seat Back, 60 % Side, (NOT SERVICED)
6							COLLAR, Rear Seat Back
	#WY14 1DVAA	1				B7	[DV]
	#WY14 1L5AA	1				B7	[L5]
7							CUSHION, Rear Seat
	#WY01 1DVAA	1				B7	[DV]
	#WY01 1L5AA	1				B7	[L5]
8							COVER, Rear Seat Cushion
	#WY10 1DVAA	1				B7	[DV]
	#WY10 1L5AA	1				B7	[L5]

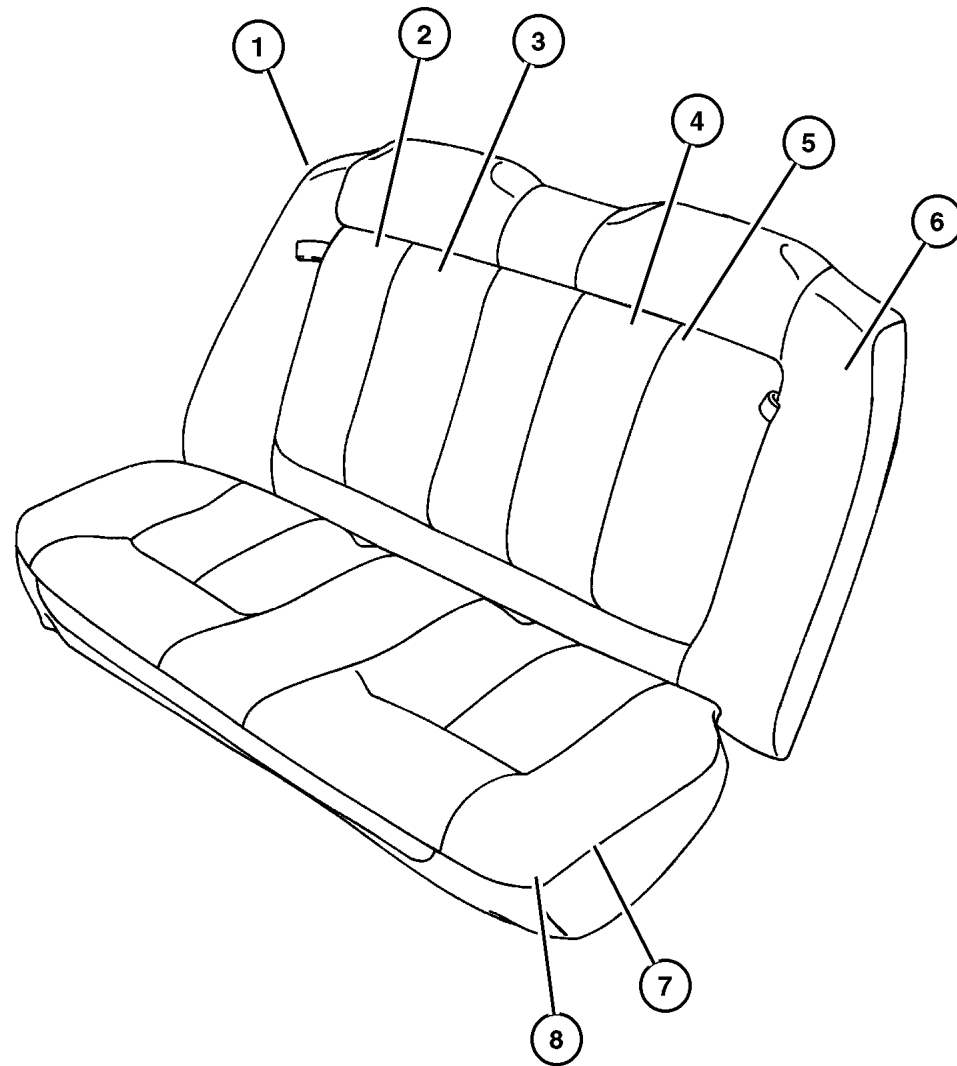
DODGE - CHRYSLER NEON (PL)

SERIES	LINE	BODY	ENGINE	TRANSMISSION
L=Low Line	Z= Chrysler, RHD	41 = 4 Door,	ECB = 2.0L 4 Cyl. , 16V SMPI	DD5 = 5 Speed Manual
H=High Line	D= Dodge	104WB	ECH = 2.0L 4 Cyl, 16V SOHC	DGL = 4 Speed Automatic
S = Special	C= Chrysler		EJD, EJ0 = 1.6L 4 Cyl 16v, SOHC	DG0 = All Automatics
P = Premium				DBB = All 5 Speed Manual
X = R/T				

AR = Use as required - = Non illustrated part # = New this model year

April 9, 2002

**Seat Rear - Trim Code [C7]
Figure IPL-615**



ITEM	PART NUMBER	QTY	LINE	SERIES	BODY	TRIM	DESCRIPTION
1							SEAT BACK, Rear, Complete
	#WY11 1DVAA	1	Z			C7	[DV]
		1	C, D			C7	[DV]
	#WY11 1L5AA	1	C, D			C7	[L5]
		1	Z			C7	[L5]
2							SEAT BACK, Rear, 40%
	#WY12 1DVAA	1	C, D			C7	[DV]
		1	Z			C7	[DV]
	#WY12 1L5AA	1	C, D			C7	[L5]
		1	Z			C7	[L5]
3							COVER, Rear Seat Back, 40 % Side, (NOT SERVICED)
4							SEAT BACK, Rear, 60%
	#WY13 1DVAA	1	C, D			C7	[DV]
		1	Z			C7	[DV]
	#WY13 1L5AA	1	C, D			C7	[L5]
		1	Z			C7	[L5]
5							COVER, Rear Seat Back, 60 % Side, (NOT SERVICED)
6							COLLAR, Rear Seat Back
	#WY14 1DVAA	1	C, D			C7	[DV]
		1	Z			C7	[DV]
	#WY14 1L5AA	1	C, D			C7	[L5]
		1	Z			C7	[L5]
7							CUSHION, Rear Seat
	#WY01 1DVAA	1	C, D			C7	[DV]
		1	Z			C7	[DV]
	#WY01 1L5AA	1	C, D			C7	[L5]
		1	Z			C7	[L5]
8							COVER, Rear Seat Cushion
	#WY10 1DVAA	1	C, D			C7	[DV]
		1	Z			C7	[DV]
	#WY10 1L5AA	1	C, D			C7	[L5]
		1	Z			C7	[L5]
-9							HEADREST, Rear
	#WY23 1DVAA	1	C, D			C7	[DV], Center
		1	Z			C7	[DV], Center
	#WY23 1L5AA	1	C, D			C7	[L5], Center
		1	Z			C7	[L5], Center
	#WY24 1DVAA	1	C, D			C7	[DV]
		1	Z			C7	[DV]

DODGE - CHRYSLER NEON (PL)

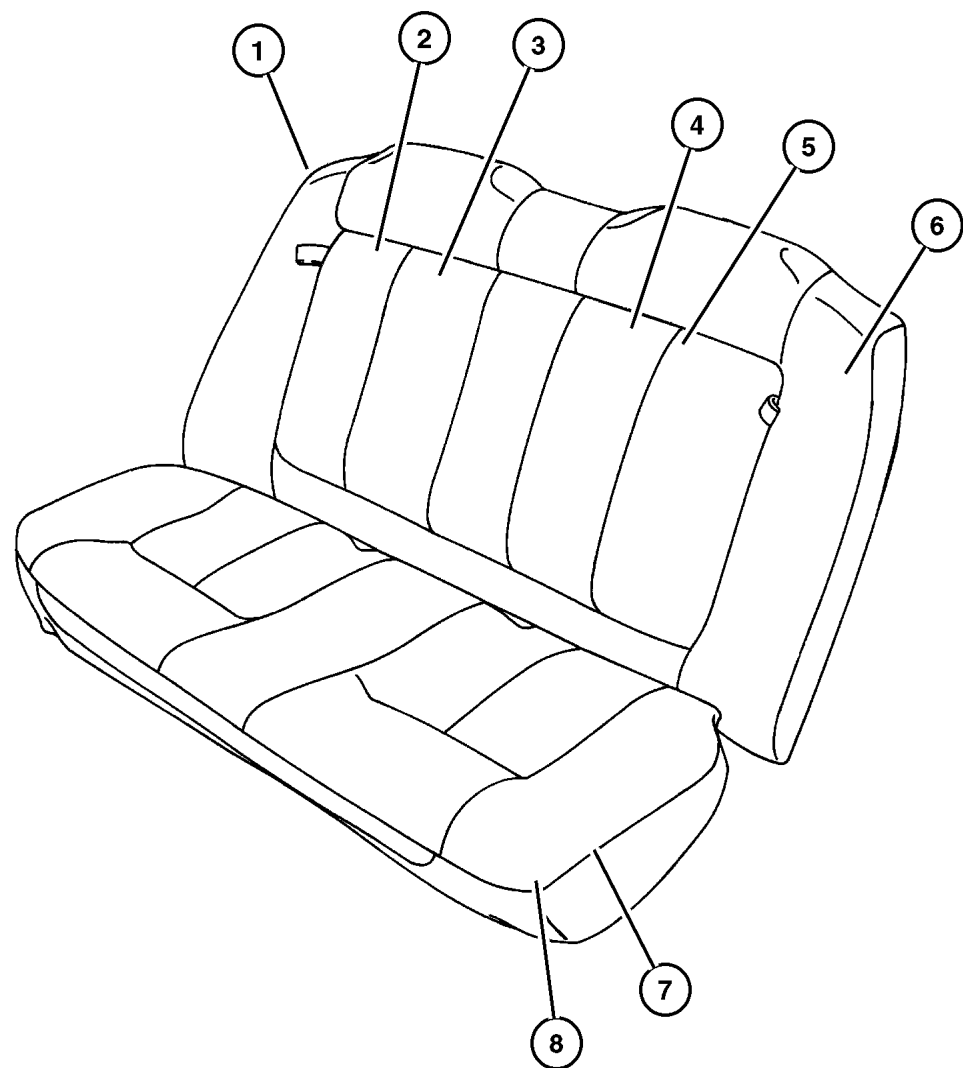
SERIES	LINE	BODY	ENGINE	TRANSMISSION
L=Low Line	Z= Chrysler, RHD	41 = 4 Door,	ECB = 2.0L 4 Cyl. , 16V SMPI	DD5 = 5 Speed Manual
H=High Line	D= Dodge	104WB	ECH = 2.0L 4 Cyl, 16V SOHC	DGL = 4 Speed Automatic
S = Special	C= Chrysler		EJD, EJ0 = 1.6L 4 Cyl 16v, SOHC	DG0 = All Automatics
P = Premium				DBB = All 5 Speed Manual
X = R/T				

AR = Use as required - = Non illustrated part # = New this model year

April 9, 2002

**Seat Rear - Trim Code [C7]
Figure IPL-615**

ITEM	PART NUMBER	QTY	LINE	SERIES	BODY	TRIM	DESCRIPTION
	#WY24 1L5AA	1	C, D			C7	[L5]
		1	Z			C7	[L5]
-10							SLEEVE, Headrest
	UA16 1DVAA	1	Z			C7	[DV], Non-Locking
		1	C, D			C7	[DV], Non-Locking
	UA16 1L5AA	1	Z			C7	[L5], Non-Locking
		1	C, D			C7	[L5], Non-Locking
	UA17 1DVAA	1	C, D			C7	[DV], Locking
		1	Z			C7	[DV], Locking
	UA17 1L5AA	1	C, D			C7	[L5], Locking
		1	Z			C7	[L5], Locking



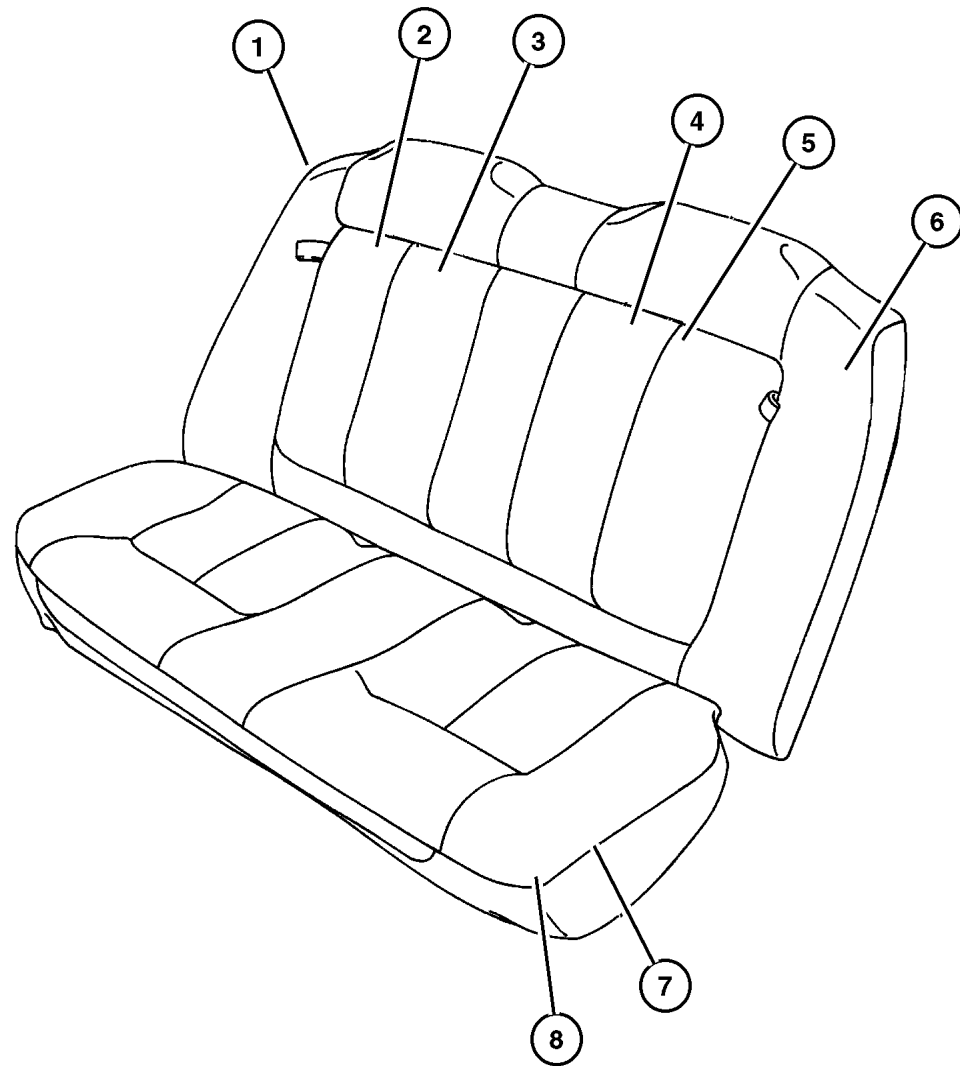
DODGE - CHRYSLER NEON (PL)

SERIES	LINE	BODY	ENGINE	TRANSMISSION
L=Low Line	Z= Chrysler, RHD	41 = 4 Door,	ECB = 2.0L 4 Cyl. , 16V SMPI	DD5 = 5 Speed Manual
H=High Line	D= Dodge	104WB	ECH = 2.0L 4 Cyl, 16V SOHC	DGL = 4 Speed Automatic
S = Special	C= Chrysler		EJD, EJ0 = 1.6L 4 Cyl 16v, SOHC	DG0 = All Automatics
P = Premium				DBB = All 5 Speed Manual
X = R/T				

AR = Use as required - = Non illustrated part # = New this model year

April 9, 2002

Seat Rear - Trim Code [CL, KL]
Figure IPL-620



ITEM	PART NUMBER	QTY	LINE	SERIES	BODY	TRIM	DESCRIPTION
1							SEAT BACK, Rear, Complete
	#WY17 1DVAA	1	Z			CL	[DV]
		1	C, D			CL	[DV]
	#WY17 1L5AA	1	C, D			CL	[L5]
		1	Z			CL	[L5]
	#WY17 1DVAA	1	C, D			KL	[DV]
		1	Z			KL	[DV]
2							SEAT BACK, Rear, 40%
	#WY18 1DVAA	1	C, D			CL	[DV]
		1	Z			CL	[DV]
	#WY18 1L5AA	1	Z			CL	[L5]
		1	C, D			CL	[L5]
	#WY18 1DVAA	1	Z			KL	[DV]
		1	C, D			KL	[DV]
3							COVER, Rear Seat Back, 40 % Side, (NOT SERVICED)
4							SEAT BACK, Rear, 60%
	#WY19 1L5AA	1	Z			CL	[L5]
	#WY19 1DVAA	1	C, D			CL	[DV]
	#WY19 1L5AA	1	C, D			CL	[L5]
	#WY19 1DVAA	1	Z			CL	[DV]
		1	Z			KL	[DV]
		1	C, D			KL	[DV]
5							COVER, Rear Seat Back, 60 % Side, (NOT SERVICED)
6							COLLAR, Rear Seat Back
	#WY20 1L5AA	1	Z			CL	[L5]
	#WY20 1DVAA	1	C, D			CL	[DV]
	#WY20 1L5AA	1	C, D			CL	[L5]
	#WY20 1DVAA	1	Z			CL	[DV]
		1	Z			KL	[DV]
		1	C, D			KL	[DV]
7							CUSHION, Rear Seat
	#WY15 1L5AA	1	Z			CL	[L5]
		1	C, D			CL	[L5]
	#WY15 1DVAA	1	C, D			CL	[DV]
		1	Z			CL	[DV]
		1	Z			KL	[DV]
		1	C, D			KL	[DV]
8							COVER, Rear Seat Cushion
	#WY16 1L5AA	1	Z			CL	[L5]

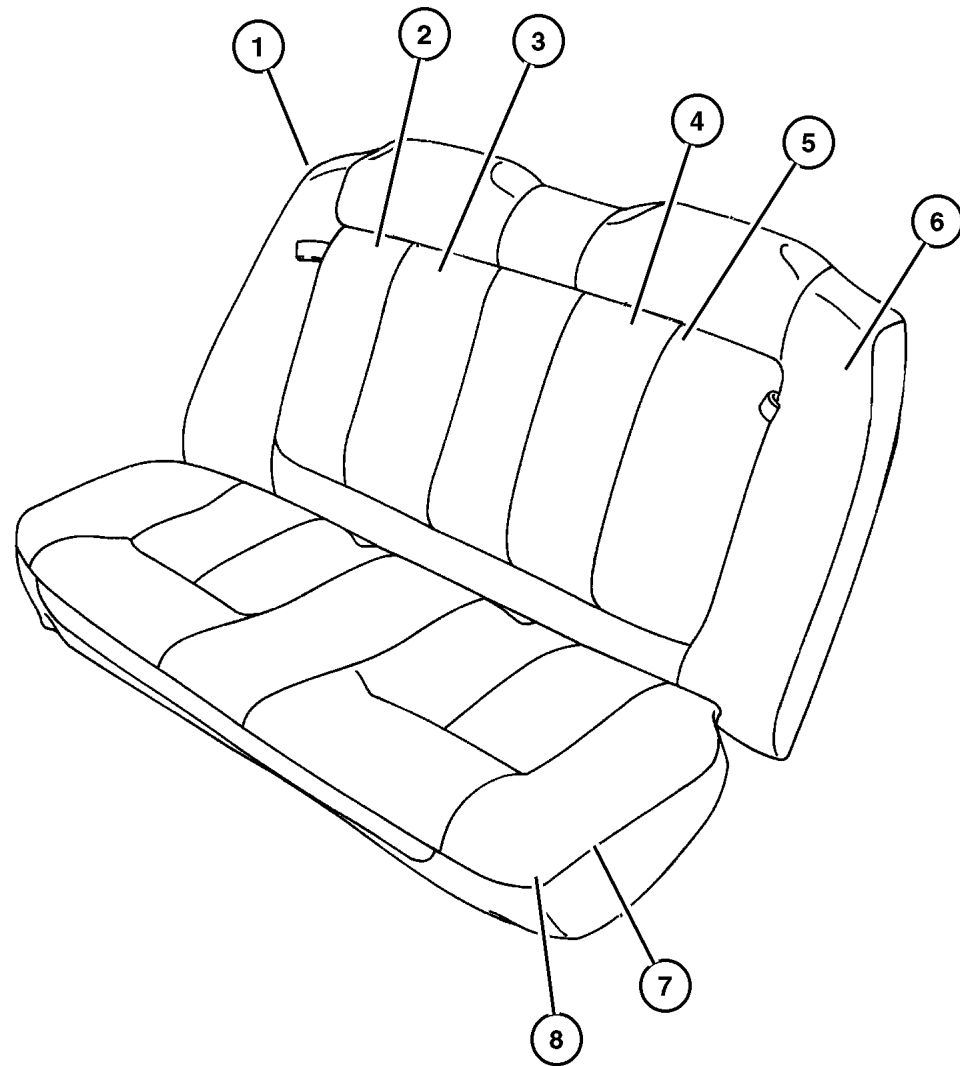
DODGE - CHRYSLER NEON (PL)

SERIES	LINE	BODY	ENGINE	TRANSMISSION
L=Low Line	Z= Chrysler, RHD	41 = 4 Door,	ECB = 2.0L 4 Cyl. , 16V SMPI	DD5 = 5 Speed Manual
H=High Line	D= Dodge	104WB	ECH = 2.0L 4 Cyl, 16V SOHC	DGL = 4 Speed Automatic
S = Special	C= Chrysler		EJD, EJ0 = 1.6L 4 Cyl 16v, SOHC	DG0 = All Automatics
P = Premium				DBB = All 5 Speed Manual
X = R/T				

AR = Use as required - = Non illustrated part # = New this model year

April 9, 2002

**Seat Rear - Trim Code [CL, KL]
Figure IPL-620**



ITEM	PART NUMBER	QTY	LINE	SERIES	BODY	TRIM	DESCRIPTION
	#WY16 1DVAA	1	C, D			CL	[DV]
	#WY16 1L5AA	1	C, D			CL	[L5]
	#WY16 1DVAA	1	Z			CL	[DV]
		1	Z			KL	[DV]
		1	C, D			KL	[DV]
-9							HEADREST, Rear
	#WY21 1DVAA	1	C, D			CL	[DV]
		1	Z			CL	[DV]
	#WY21 1L5AA	1	C, D			CL	[L5]
		1	Z			CL	[L5]
	#WY22 1L5AA	1	C, D			CL	[L5], Center
		1	Z			CL	[L5], Center
	#WY22 1DVAA	1	Z			CL	[DV], Center
		1	C, D			CL	[DV], Center
		1	Z			KL	[DV], Center
		1	C, D			KL	[DV], Center
	#WY21 1DVAA	1	Z			KL	[DV]
		1	C, D			KL	[DV]
-10							SLEEVE, Headrest
	UA16 1DVAA	1	C, D			CL	[DV], Non-Locking
		1	Z			CL	[DV], Non-Locking
	UA16 1L5AA	1	C, D			CL	[L5], Non-Locking
		1	Z			CL	[L5], Non-Locking
	UA17 1DVAA	1	Z			CL	[DV], Locking
		1	C, D			KL	[DV], Locking
	UA17 1L5AA	1	Z			CL	[L5], Locking
		1	C, D			CL	[L5], Locking
	UA16 1DVAA	1	Z			KL	[DV], Non-Locking
		1	C, D			KL	[DV], Non-Locking
	UA17 1DVAA	1	Z			KL	[DV], Locking

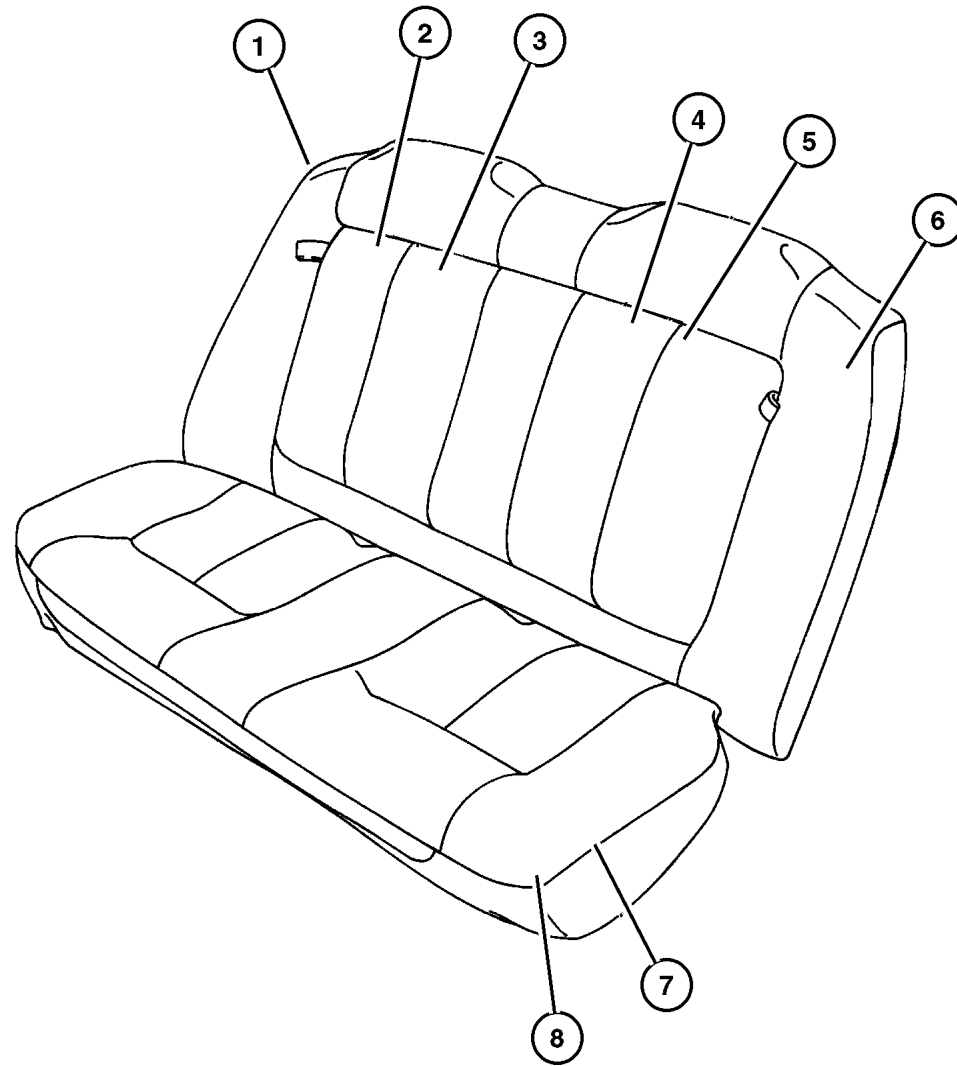
DODGE - CHRYSLER NEON (PL)

SERIES	LINE	BODY	ENGINE	TRANSMISSION
L=Low Line	Z= Chrysler, RHD	41 = 4 Door,	ECB = 2.0L 4 Cyl. , 16V SMPI	DD5 = 5 Speed Manual
H=High Line	D= Dodge	104WB	ECH = 2.0L 4 Cyl, 16V SOHC	DGL = 4 Speed Automatic
S = Special	C= Chrysler		EJD, EJ0 = 1.6L 4 Cyl 16v, SOHC	DG0 = All Automatics
P = Premium				DBB = All 5 Speed Manual
X = R/T				

AR = Use as required - = Non illustrated part # = New this model year

April 9, 2002

Seat Rear - Trim Code [A7, R7]
Figure IPL-625



ITEM	PART NUMBER	QTY	LINE	SERIES	BODY	TRIM	DESCRIPTION
1							SEAT BACK, Rear, Complete
	#WY27 1DVAA	1	C, D			A7	[DV]
		1	C, D			R7	[DV]
	#WY27 1L5AA	1	C, D			R7	[L5]
2							SEAT BACK, Rear, 40%
	#WY28 1DVAA	1	C, D			A7	[DV]
		1	C, D			R7	[DV]
	#WY28 1L5AA	1	C, D			R7	[L5]
3							COVER, Rear Seat Back, 40 % Side, (NOT SERVICED)
4							SEAT BACK, Rear, 60%
	#WY29 1DVAA	1	C, D			A7	[DV]
		1	C, D			R7	[DV]
	#WY29 1L5AA	1	C, D			R7	[L5]
5							COVER, Rear Seat Back, 60 % Side, (NOT SERVICED)
6							COLLAR, Rear Seat Back
	#WY30 1DVAA	1	C, D			A7	[DV]
		1	C, D			R7	[DV]
	#WY30 1L5AA	1	C, D			R7	[L5]
7							CUSHION, Rear Seat
	#WY25 1DVAA	1	C, D			A7	[DV]
		1	C, D			R7	[DV]
	#WY25 1L5AA	1	C, D			R7	[L5]
8							COVER, Rear Seat Cushion
	#WY26 1DVAA	1	C, D			A7	[DV]
		1	C, D			R7	[DV]
	#WY26 1L5AA	1	C, D			R7	[L5]

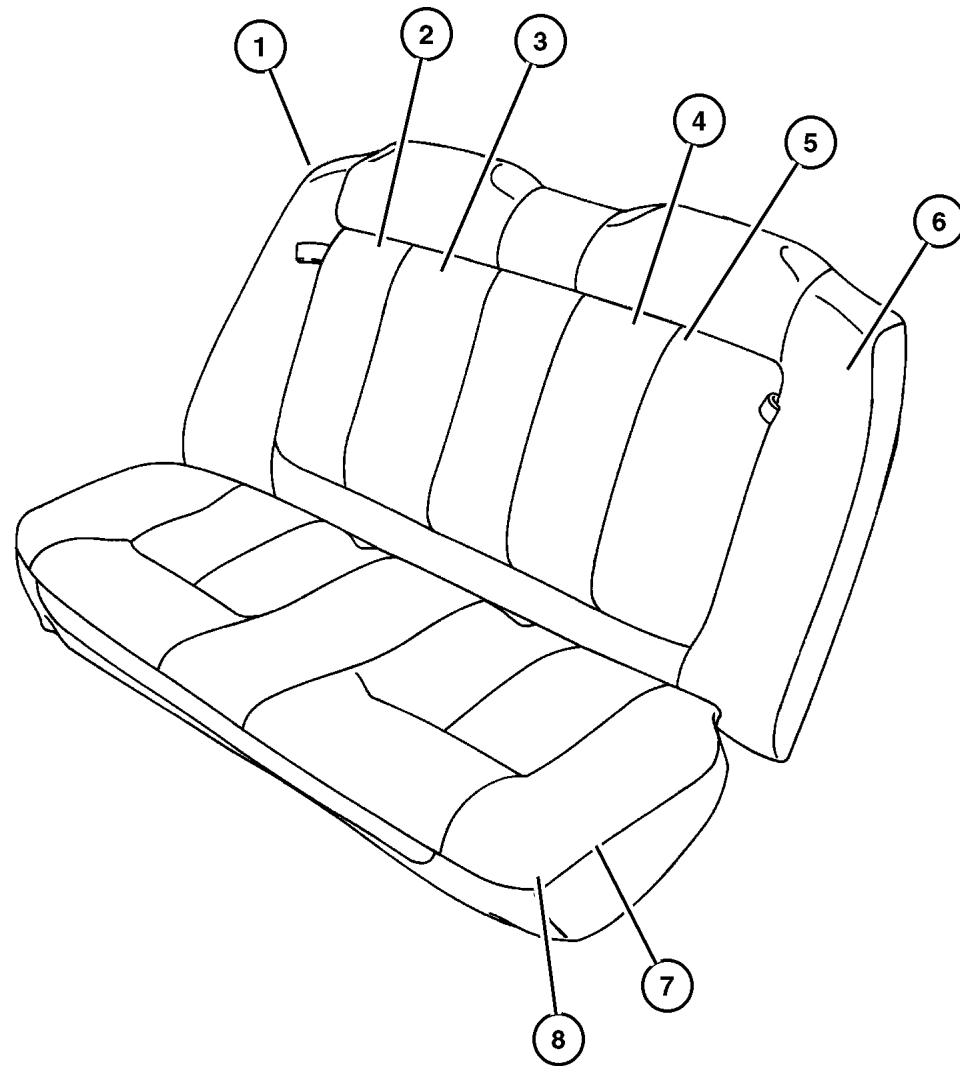
DODGE - CHRYSLER NEON (PL)

SERIES	LINE	BODY	ENGINE	TRANSMISSION
L=Low Line	Z= Chrysler, RHD	41 = 4 Door,	ECB = 2.0L 4 Cyl. , 16V SMPI	DD5 = 5 Speed Manual
H=High Line	D= Dodge	104WB	ECH = 2.0L 4 Cyl, 16V SOHC	DGL = 4 Speed Automatic
S = Special	C= Chrysler		EJD, EJO = 1.6L 4 Cyl 16v, SOHC	DG0 = All Automatics
P = Premium				DBB = All 5 Speed Manual
X = R/T				

AR = Use as required - = Non illustrated part # = New this model year

April 9, 2002

**Seat Rear - Trim Code [RL, XL]
Figure IPL-630**



ITEM	PART NUMBER	QTY	LINE	SERIES	BODY	TRIM	DESCRIPTION
1							SEAT BACK, Rear, Complete
	#WY17 1DVAA	1				RL	[DV]
	#WY17 1L5AA	1				RL	[L5]
	#WY17 1DVAA	1				XL	[DV]
	#WY17 1L5AA	1				XL	[L5]
2							SEAT BACK, Rear, 40%
	#WY18 1DVAA	1				RL	[DV]
	#WY18 1L5AA	1				RL	[L5]
	#WY18 1DVAA	1				XL	[DV]
	#WY18 1L5AA	1				XL	[L5]
3							COVER, Rear Seat Back, 40 % Side, (NOT SERVICED)
4							SEAT BACK, Rear, 60%
	#WY19 1DVAA	1				RL	[DV]
	#WY19 1L5AA	1				RL	[L5]
	#WY19 1DVAA	1				XL	[DV]
	#WY19 1L5AA	1				XL	[L5]
5							COVER, Rear Seat Back, 60 % Side, (NOT SERVICED)
6							COLLAR, Rear Seat Back
	#WY20 1DVAA	1				RL	[DV]
	#WY20 1L5AA	1				RL	[L5]
	#WY20 1DVAA	1				XL	[DV]
	#WY20 1L5AA	1				XL	[L5]
7							CUSHION, Rear Seat
	#WY15 1L5AA	1				RL	[L5]
	#WY15 1DVAA	1				RL	[DV]
		1				XL	[DV]
	#WY15 1L5AA	1				XL	[L5]
8							COVER, Rear Seat Cushion
	#WY16 1L5AA	1				RL	[L5]
	#WY16 1DVAA	1				RL	[DV]
		1				XL	[DV]
	#WY16 1L5AA	1				XL	[L5]

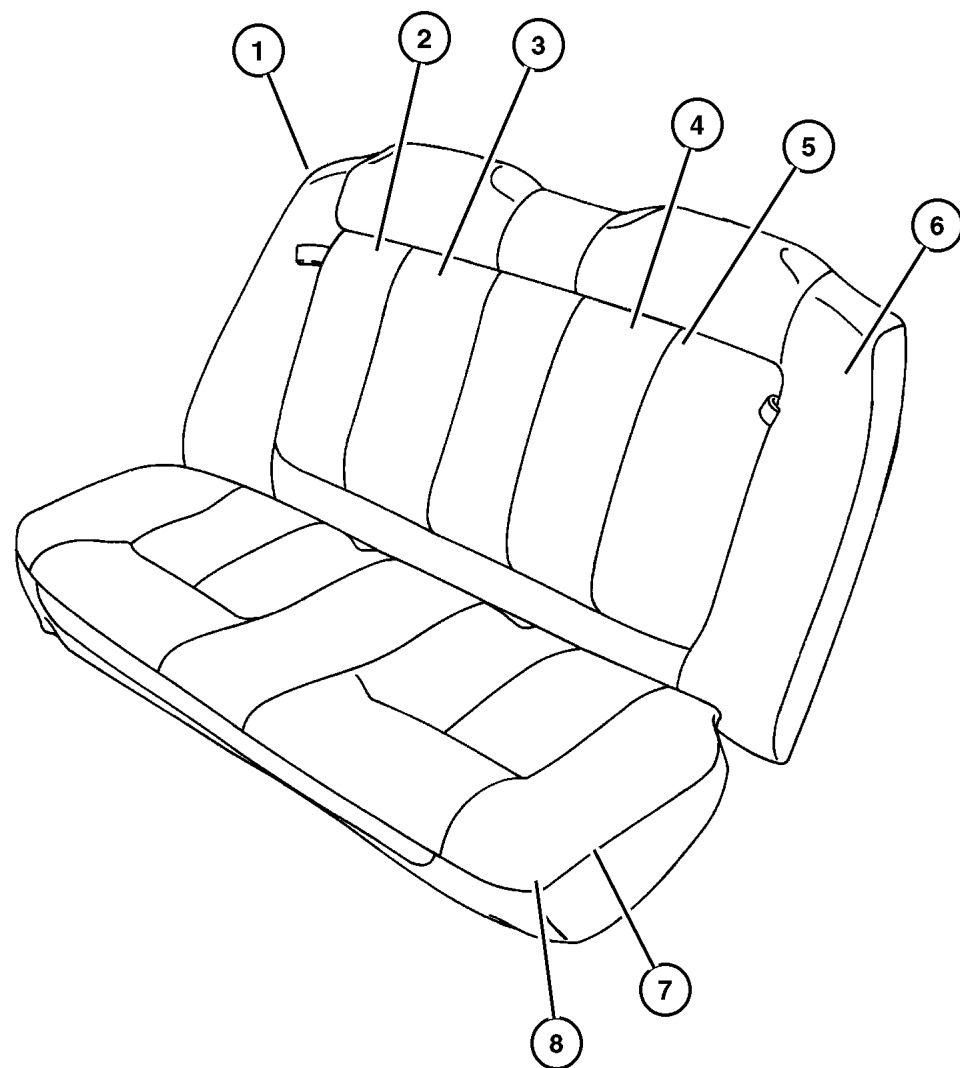
DODGE - CHRYSLER NEON (PL)

SERIES	LINE	BODY	ENGINE	TRANSMISSION
L=Low Line	Z= Chrysler, RHD	41 = 4 Door,	ECB = 2.0L 4 Cyl. , 16V SMPI	DD5 = 5 Speed Manual
H=High Line	D= Dodge	104WB	ECH = 2.0L 4 Cyl, 16V SOHC	DGL = 4 Speed Automatic
S = Special	C= Chrysler		EJD, EJ0 = 1.6L 4 Cyl 16v, SOHC	DG0 = All Automatics
P = Premium				DBB = All 5 Speed Manual
X = R/T				

AR = Use as required - = Non illustrated part # = New this model year

April 9, 2002

**Seat Rear - Trim Code [L7]
Figure IPL-635**



ITEM	PART NUMBER	QTY	LINE	SERIES	BODY	TRIM	DESCRIPTION
1	#WV27 1DVAA	1				L7	SEAT BACK, Rear, Complete
2	#WV09 1DVAA	1				L7	SEAT BACK, Rear, 40%
3							COVER, Rear Seat Back, 40 % Side, (NOT SERVICED)
4	#WV08 1DVAA	1				L7	SEAT BACK, Rear, 60%
5							COVER, Rear Seat Back, 60 % Side, (NOT SERVICED)
6	#WV24 1DVAA	1				L7	COLLAR, Rear Seat Back
7	#WV05 1DVAA	1				L7	CUSHION, Rear Seat
8	#WV20 1DVAA	1				L7	COVER, Rear Seat Cushion
-9	#WV03 1DVAA	1				L7	HEADREST, Rear
-10							SLEEVE, Headrest
	UA16 1DVAA	1				L7	Non-Locking
	UA17 1DVAA	1				L7	Locking

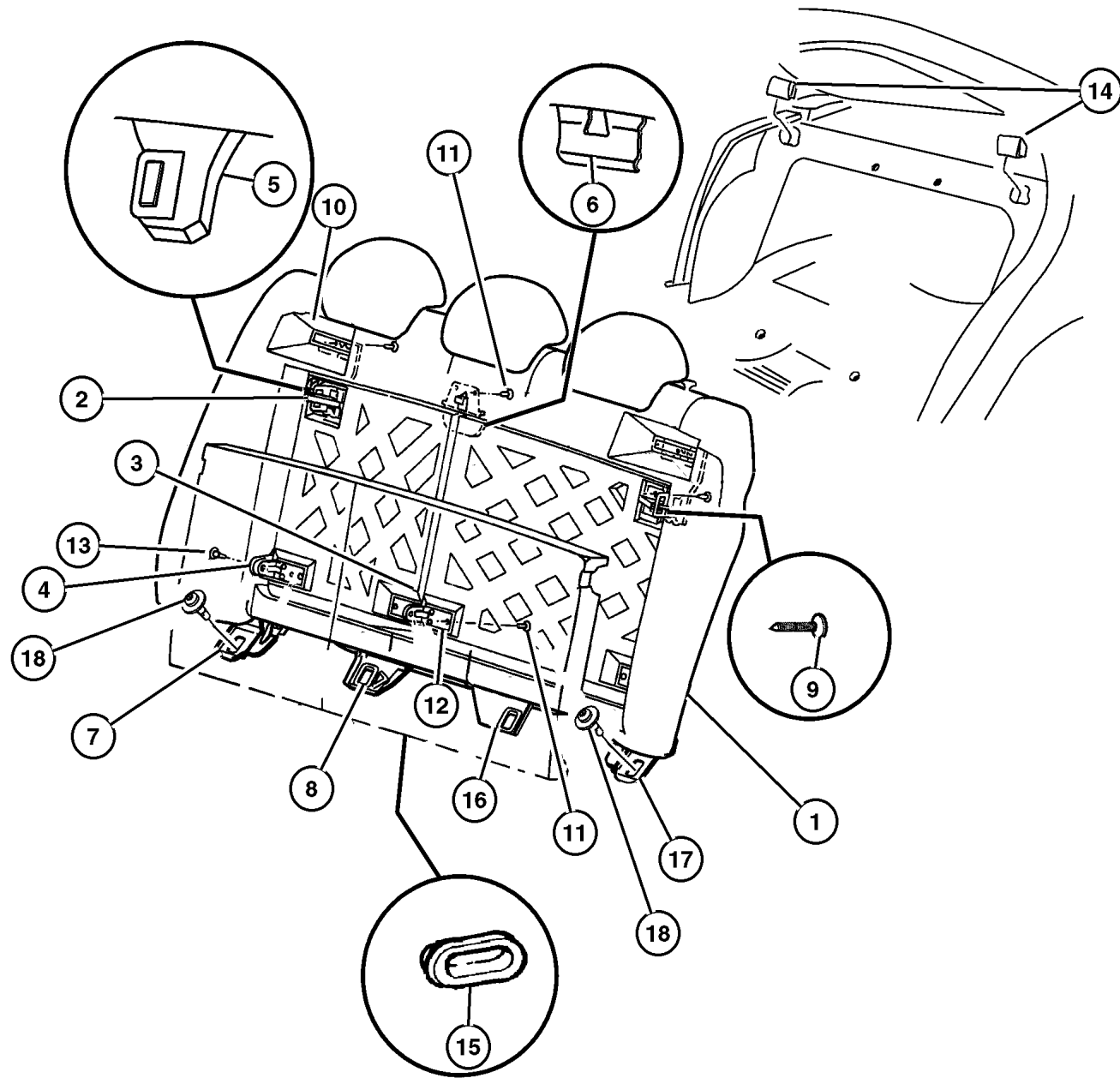
DODGE - CHRYSLER NEON (PL)

SERIES	LINE	BODY	ENGINE	TRANSMISSION
L=Low Line	Z= Chrysler, RHD	41 = 4 Door,	ECB = 2.0L 4 Cyl. , 16V SMPI	DD5 = 5 Speed Manual
H=High Line	D= Dodge	104WB	ECH = 2.0L 4 Cyl, 16V SOHC	DGL = 4 Speed Automatic
S = Special	C= Chrysler		EJD, EJ0 = 1.6L 4 Cyl 16v, SOHC	DG0 = All Automatics
P = Premium				DBB = All 5 Speed Manual
X = R/T				

AR = Use as required - = Non illustrated part # = New this model year

April 9, 2002

Seat Rear - Attaching Parts Figure IPL-640



ITEM	PART NUMBER	QTY	LINE	SERIES	BODY	TRIM	DESCRIPTION
1							COLLAR, Rear Seat Back
	#WY30 1DVAA	1	C, D			A7	[DV]
	#WY14 1DVAA	1				B7	[DV]
		1	Z			C7	[DV]
		1	C, D			C7	[DV]
	#WY14 1L5AA	1	C, D			C7	[L5]
		1	Z			C7	[L5]
	#WY20 1DVAA	1	C, D			CL	[DV]
		1	Z			CL	[DV]
	#WY20 1L5AA	1	C, D			CL	[L5]
		1	Z			CL	[L5]
	#WY20 1DVAA	1	Z			KL	[DV]
		1	C, D			KL	[DV]
	#WY30 1DVAA	1	C, D			R7	[DV]
	#WY30 1L5AA	1	C, D			R7	[L5]
	#WY20 1DVAA	1				RL	[DV]
	#WY20 1L5AA	1				RL	[L5]
	#WY20 1DVAA	1				XL	[DV]
	#WY20 1L5AA	1				XL	[L5]
2							LATCH, Seat
	JY05 1DV	2				K7	[DV]
		2				L7	[DV]
		2	C, D			C7	[DV]
		2	Z			C7	[DV]
		1				K7	[DV]
		2	C, D			KL	[DV]
		1				B7	[DV]
		1	C, D			RL	[DV]
		1	C, D			XL	[DV]
		1	C, D			A7	[DV]
		1	C, D			R7	[DV]
	JY05 1L5	1				K7	[L5]
		1	C, D			C7	[L5]
		1	Z			C7	[L5]
		1				B7	[L5]
		1	C, D			RL	[L5]
		1	C, D			XL	[L5]
		1	C, D			R7	[L5]
3							BRACKET, Inboard Pivot, 40 % Side
	4741 252	1	C, D			A7	
		1				B7	

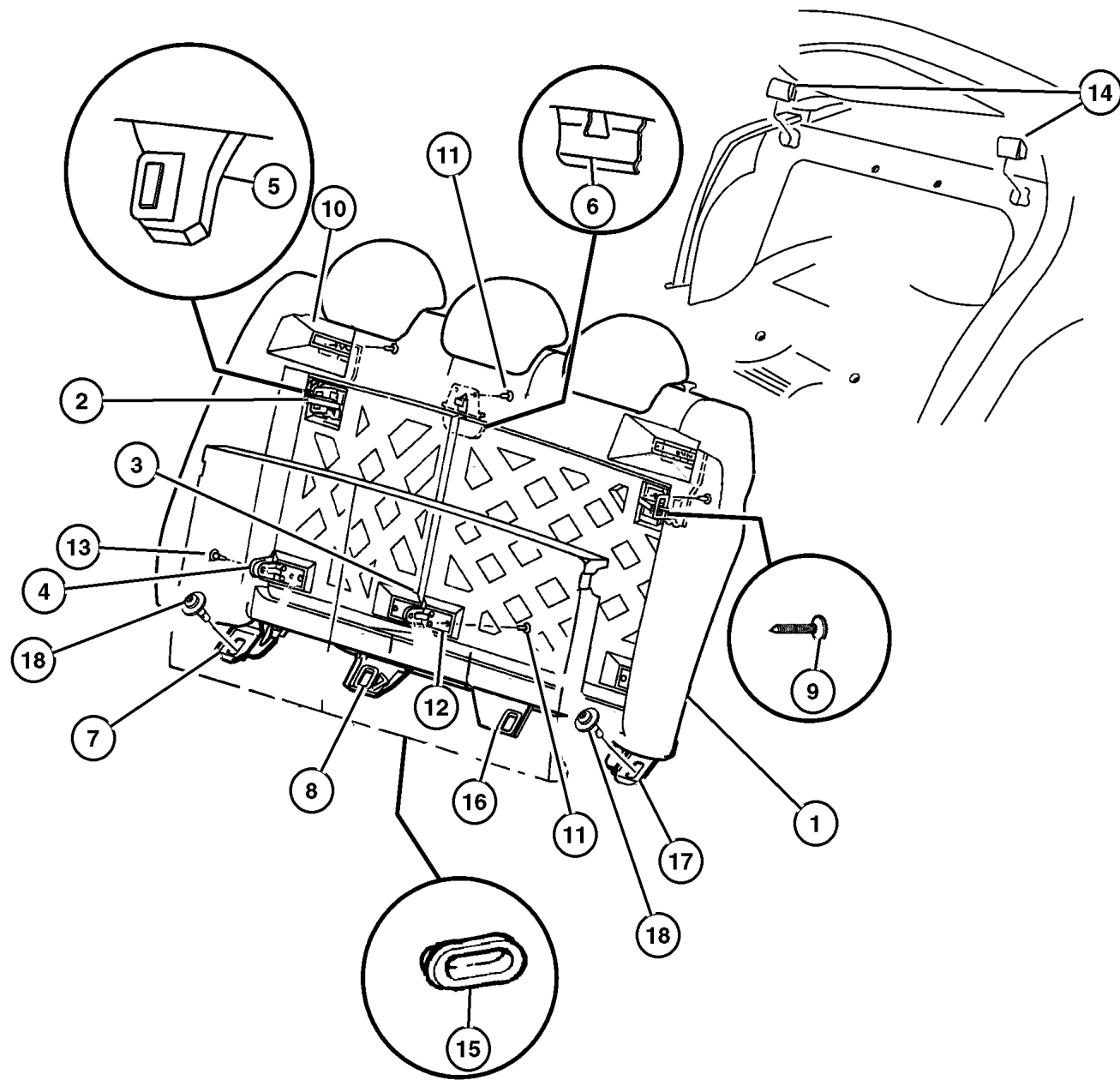
DODGE - CHRYSLER NEON (PL)

SERIES	LINE	BODY	ENGINE	TRANSMISSION
L=Low Line	Z= Chrysler, RHD	41 = 4 Door,	ECB = 2.0L 4 Cyl. , 16V SMPI	DD5 = 5 Speed Manual
H=High Line	D= Dodge	104WB	ECH = 2.0L 4 Cyl, 16V SOHC	DGL = 4 Speed Automatic
S = Special	C= Chrysler		EJD, EJ0 = 1.6L 4 Cyl 16v, SOHC	DG0 = All Automatics
P = Premium				DBB = All 5 Speed Manual
X = R/T				

AR = Use as required - = Non illustrated part # = New this model year

April 9, 2002

Seat Rear - Attaching Parts Figure IPL-640



ITEM	PART NUMBER	QTY	LINE	SERIES	BODY	TRIM	DESCRIPTION
		1	Z			C7	
		1	C, D			C7	
		1	Z			CL	
		1	C, D			CL	
		1				K7	
		1	C, D			KL	
		1	Z			KL	
		1				L7	
		1	C, D			R7	
		1				RL	
		1				XL	
4	4741 253	1	C, D			A7	BRACKET, Outboard Pivot
		1				B7	
		1	Z			C7	
		1	C, D			C7	
		1	Z			CL	
		1	C, D			CL	
		1				K7	
		1	C, D			KL	
		1	Z			KL	
		1				L7	
		1	C, D			R7	
		1				RL	
		1				XL	
5	#5083 314AA	1	C, D			A7	STRIKER, Seat Back Latch
		1				B7	
		1	Z			C7	
		1	C, D			C7	
		1	Z			CL	
		1	C, D			CL	
		1				K7	
		1	Z			KL	
		1	C, D			KL	
		1				L7	
		1	C, D			R7	
		1				RL	
		1				XL	
6	4797 697	1	C, D			A7	BRACKET, Rear Seat Center

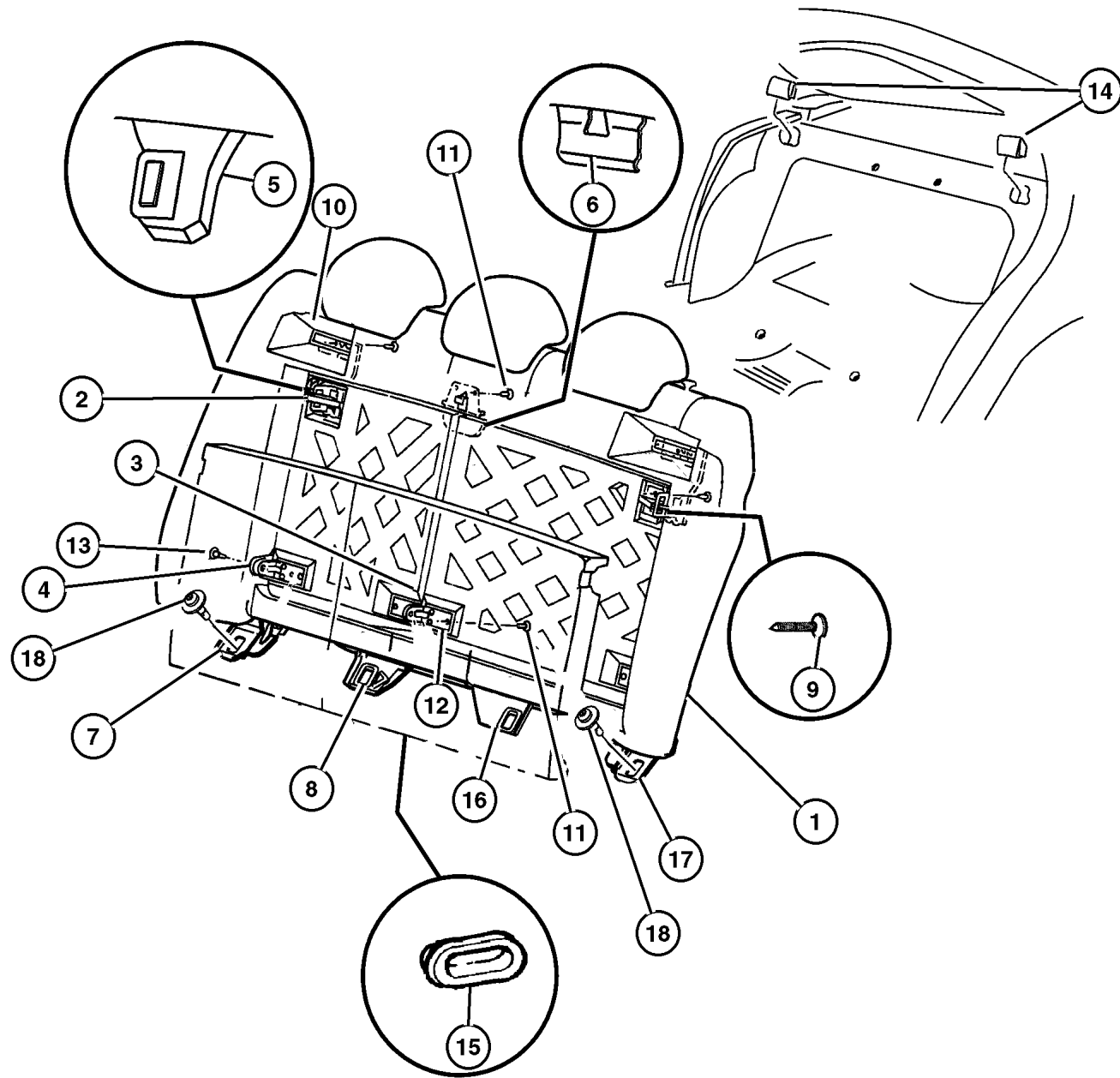
DODGE - CHRYSLER NEON (PL)

SERIES	LINE	BODY	ENGINE	TRANSMISSION
L=Low Line	Z= Chrysler, RHD	41 = 4 Door,	ECB = 2.0L 4 Cyl. , 16V SMPI	DD5 = 5 Speed Manual
H=High Line	D= Dodge	104WB	ECH = 2.0L 4 Cyl, 16V SOHC	DGL = 4 Speed Automatic
S = Special	C= Chrysler		EJD, EJ0 = 1.6L 4 Cyl 16v, SOHC	DG0 = All Automatics
P = Premium				DBB = All 5 Speed Manual
X = R/T				

AR = Use as required - = Non illustrated part # = New this model year

April 9, 2002

Seat Rear - Attaching Parts Figure IPL-640



ITEM	PART NUMBER	QTY	LINE	SERIES	BODY	TRIM	DESCRIPTION
		1				B7	
		1	Z			C7	
		1	C, D			C7	
		1	Z			CL	
		1	C, D			CL	
		1				K7	
		1	Z			KL	
		1	C, D			KL	
		1				L7	
		1	C, D			R7	
		1				RL	
		1				XL	
7							BRACKET, Lower Pivot
	#5083 284AA	1				B7	Outboard,Right
		1	C, D			RL	Outboard,Right
		1	C, D			XL	Outboard,Right
		1	C, D			A7	Outboard,Right
		1	C, D			R7	Outboard,Right
		1	C, D			KL	Outboard,Right
		1	C, D			CL	Outboard,Right
		1	C, D			C7	Outboard,Right
		1	Z			C7	Outboard,Right
		1				K7	Outboard,Right
8							BRACKET, Lower Pivot
	#5083 311AA	1				B7	Inner,Right
		1	C, D			RL	Inner,Right
		1	C, D			XL	Inner,Right
		1	C, D			A7	Inner,Right
		1	C, D			R7	Inner,Right
		1	C, D			KL	Inner,Right
		1	C, D			CL	Inner,Right
		1	Z			CL	Inner,Right
		1	C, D			C7	Inner,Right
		1	Z			C7	Inner,Right
		1				K7	Inner,Right
		1				L7	Inner,Right
	#5083 312AA	1	C, D			KL	Child Seat Anchor, European, Inner,Right
		1	C, D			CL	Child Seat Anchor, European, Inner,Right
		1	Z			KL	Child Seat Anchor, European, Inner,Right
		1	Z			CL	Child Seat Anchor, European, Inner,Right
		1	C, D			C7	Child Seat Anchor, European, Inner,Right

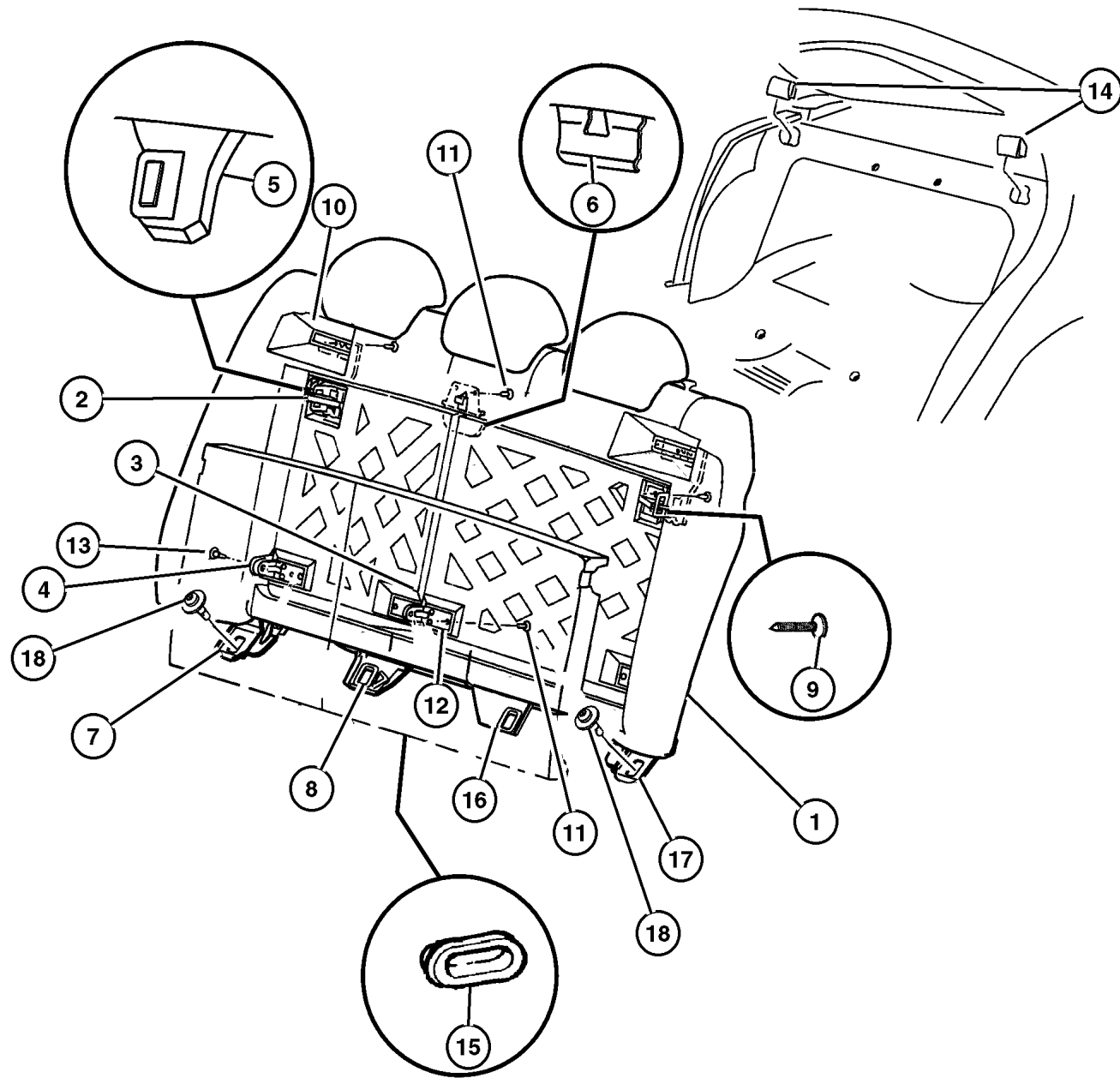
DODGE - CHRYSLER NEON (PL)

SERIES	LINE	BODY	ENGINE	TRANSMISSION
L=Low Line	Z= Chrysler, RHD	41 = 4 Door,	ECB = 2.0L 4 Cyl. , 16V SMPI	DD5 = 5 Speed Manual
H=High Line	D= Dodge	104WB	ECH = 2.0L 4 Cyl, 16V SOHC	DGL = 4 Speed Automatic
S = Special	C= Chrysler		EJD, EJ0 = 1.6L 4 Cyl 16v, SOHC	DG0 = All Automatics
P = Premium				DBB = All 5 Speed Manual
X = R/T				

AR = Use as required - = Non illustrated part # = New this model year

April 9, 2002

Seat Rear - Attaching Parts Figure IPL-640



ITEM	PART NUMBER	QTY	LINE	SERIES	BODY	TRIM	DESCRIPTION
		1	Z			C7	Child Seat Anchor, European, Inner,Right
		1				L7	Child Seat Anchor, European, Inner,Right
9	4741 274	1	C, D			A7	SCREW, Torx Head, .25-20x.75
		1				B7	
		1	Z			C7	
		1	C, D			C7	
		1	Z			CL	
		1	C, D			CL	
		1				K7	
		1	Z			KL	
		1	C, D			KL	
		1				L7	
		1	C, D			R7	
		1				RL	
		1				XL	
10	4761 016	1	C, D				COVER, Plastic Collar
		1				A7	
		1				B7	
		1	Z			C7	
		1	C, D			C7	
		1	Z			CL	
		1	C, D			CL	
		1				K7	
		1	Z			KL	
		1	C, D			KL	
		1				L7	
		1	C, D			R7	
		1				RL	
		1				XL	
11	4741 274	1					SCREW, Torx Head, .25-20x.75
		1	C, D			B7	
		1				RL	
		1	C, D			XL	
		1				RL	
		1				XL	
		1	C, D			A7	
		1	C, D			R7	
		1	C, D			KL	
		1	C, D			CL	
		1	Z			KL	

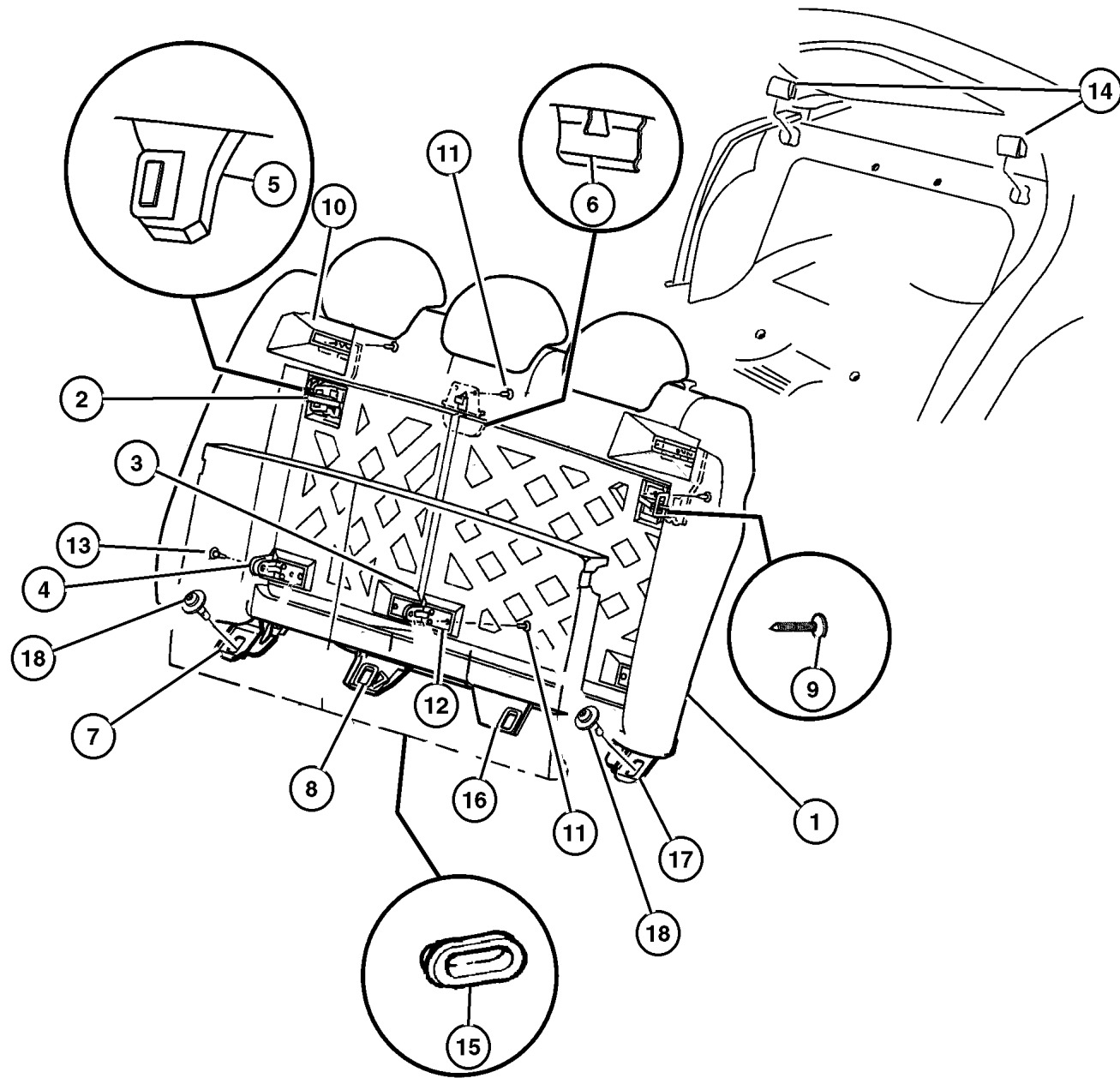
DODGE - CHRYSLER NEON (PL)

SERIES	LINE	BODY	ENGINE	TRANSMISSION
L=Low Line	Z= Chrysler, RHD	41 = 4 Door,	ECB = 2.0L 4 Cyl. , 16V SMPI	DD5 = 5 Speed Manual
H=High Line	D= Dodge	104WB	ECH = 2.0L 4 Cyl, 16V SOHC	DGL = 4 Speed Automatic
S = Special	C= Chrysler		EJD, EJ0 = 1.6L 4 Cyl 16v, SOHC	DG0 = All Automatics
P = Premium				DBB = All 5 Speed Manual
X = R/T				

AR = Use as required - = Non illustrated part # = New this model year

April 9, 2002

Seat Rear - Attaching Parts Figure IPL-640



ITEM	PART NUMBER	QTY	LINE	SERIES	BODY	TRIM	DESCRIPTION
		1	C, D			C7	
		1	Z			C7	
		1				K7	
		1				L7	
12							BRACKET, Inboard Pivot
	4741 256	1	C, D			A7	
		1				B7	
		1	Z			C7	
		1	C, D			C7	
		1	Z			CL	
		1	C, D			CL	
		1				K7	
		1	Z			KL	
		1	C, D			KL	
		1				L7	
		1	C, D			R7	
		1				RL	
		1				XL	
13							BOLT, Shoulder
	4773 124	2				K7	
		2				L7	
		2	C, D			C7	
		2	Z			C7	
		2	C, D			KL	
		2	C, D			CL	
14	4645 906AA	2					CLIP, Seat Back, Attaching
15	4645 939AA	2					RETAINER, Seat Cushion, Attaching
16							BRACKET, Lower Pivot
	#5083 283AA	1				B7	Inner,Left
		1	C, D			RL	Inner,Left
		1	C, D			XL	Inner,Left
		1				RL	Inner,Left
		1	C, D			A7	Inner,Left
		1	C, D			R7	Inner,Left
		1	C, D			KL	Inner,Left
		1	C, D			CL	Inner,Left
		1	C, D			C7	Inner,Left
		1				K7	Inner,Left
		1				L7	Inner,Left
	#5083 313AA	1	C, D			KL	Child Seat Anchor, European, Inner,Left
		1	Z			KL	Child Seat Anchor, European, Inner,Left

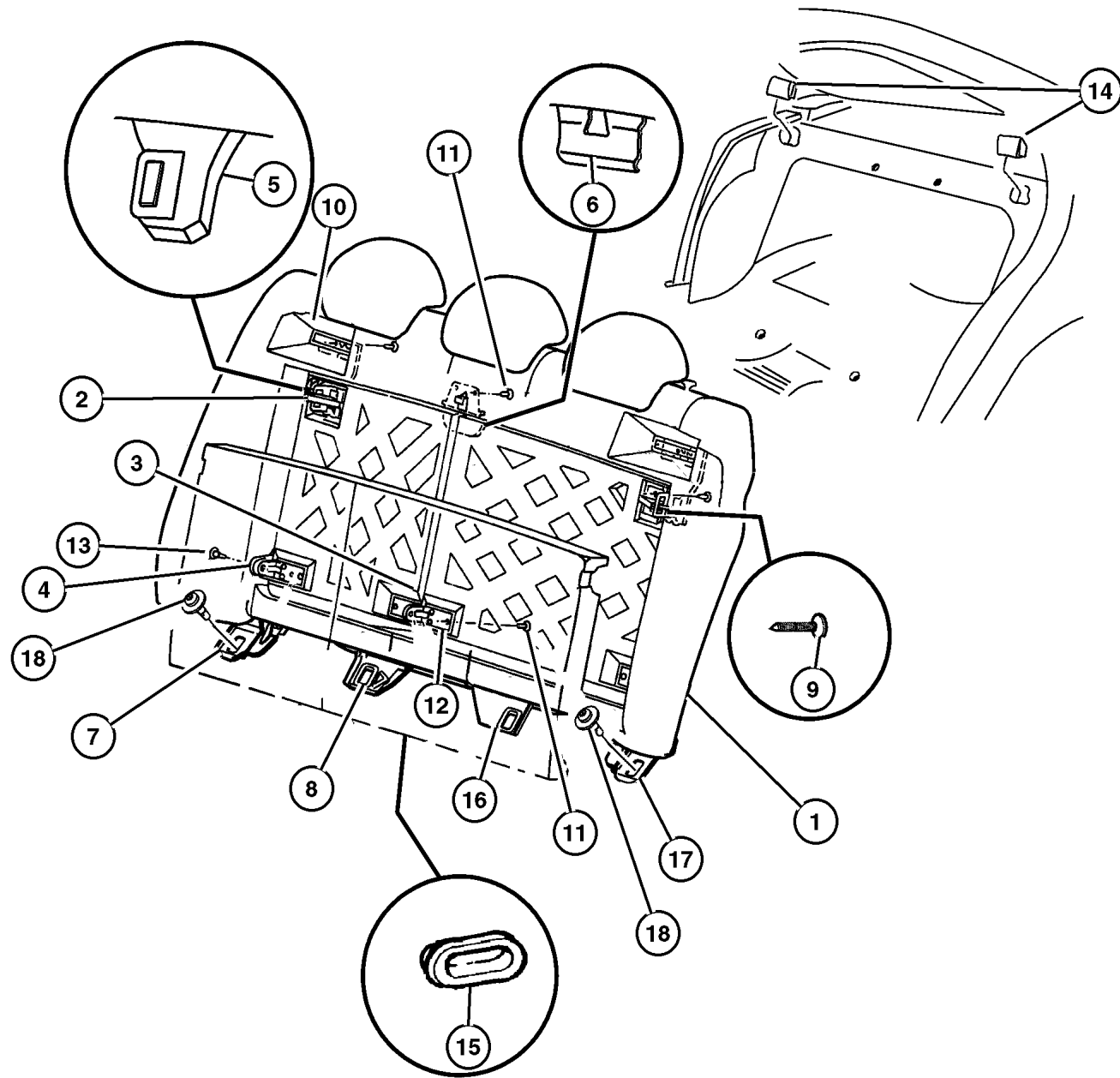
DODGE - CHRYSLER NEON (PL)

SERIES	LINE	BODY	ENGINE	TRANSMISSION
L=Low Line	Z= Chrysler, RHD	41 = 4 Door,	ECB = 2.0L 4 Cyl. , 16V SMPI	DD5 = 5 Speed Manual
H=High Line	D= Dodge	104WB	ECH = 2.0L 4 Cyl, 16V SOHC	DGL = 4 Speed Automatic
S = Special	C= Chrysler		EJD, EJ0 = 1.6L 4 Cyl 16v, SOHC	DG0 = All Automatics
P = Premium				DBB = All 5 Speed Manual
X = R/T				

AR = Use as required - = Non illustrated part # = New this model year

April 9, 2002

Seat Rear - Attaching Parts Figure IPL-640



ITEM	PART NUMBER	QTY	LINE	SERIES	BODY	TRIM	DESCRIPTION
		1	C, D			CL	Child Seat Anchor, European, Inner,Left
		1	Z			CL	Child Seat Anchor, European, Inner,Left
		1	C, D			C7	Child Seat Anchor, European, Inner,Left
		1	Z			C7	Child Seat Anchor, European, Inner,Left
		1				L7	Child Seat Anchor, European, Inner,Left
17							BRACKET, Lower Pivot
	#5083 311AA	1				B7	Outboard,Left
		1	C, D			RL	Outboard,Left
		1	C, D			XL	Outboard,Left
		1				RL	Outboard,Left
		1	C, D			A7	Outboard,Left
		1	C, D			R7	Outboard,Left
		1	C, D			KL	Outboard,Left
		1	C, D			CL	Outboard,Left
		1	Z			CL	Outboard,Left
		1	C, D			C7	Outboard,Left
		1	Z			C7	Outboard,Left
		1				K7	
		1				L7	
18	#6036 390AA	2					SCREW
-19	#6036 368AA	2					SCREW, Fastens The Two Inner Brackets, Item 8 & 17

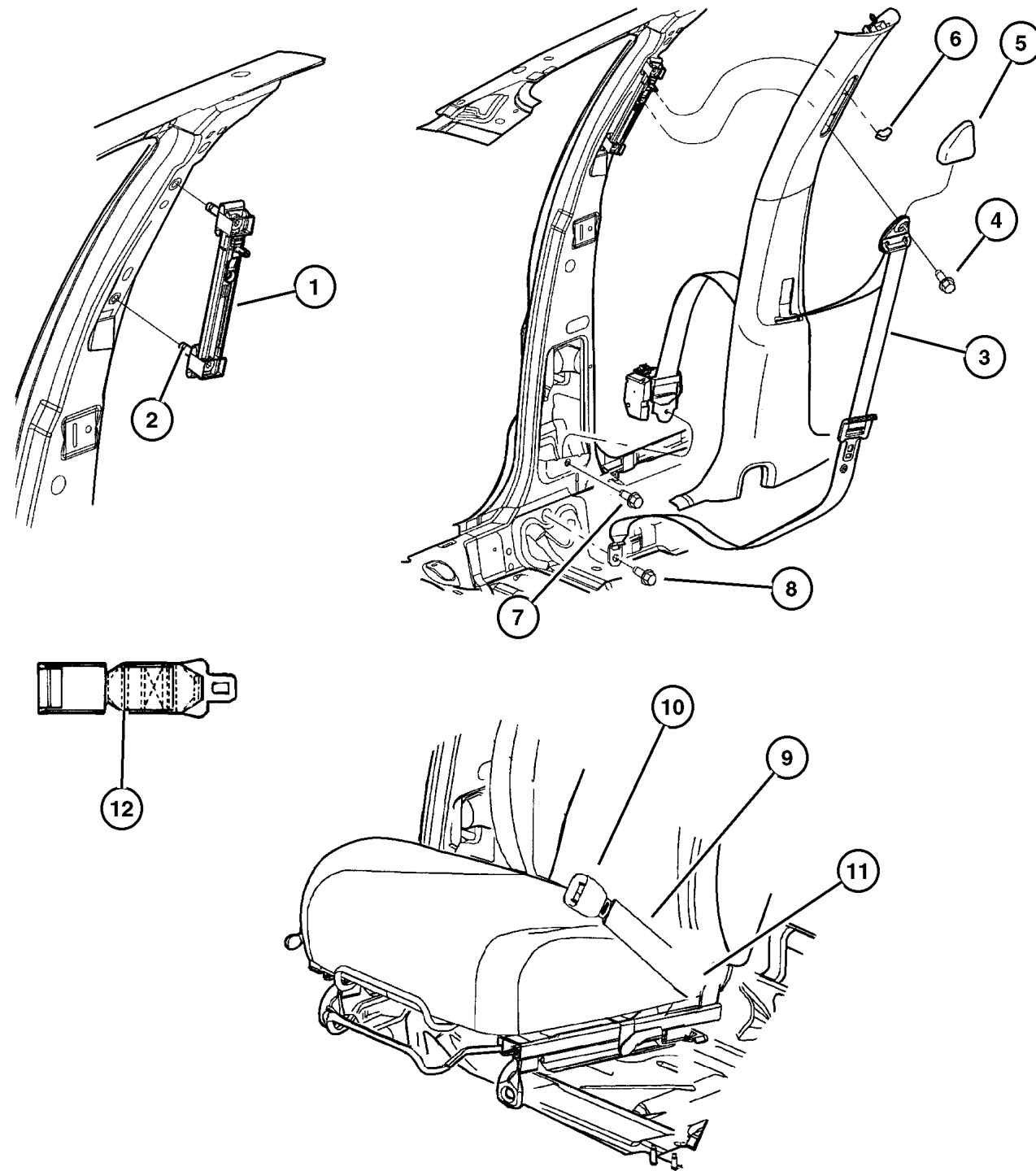
DODGE - CHRYSLER NEON (PL)

SERIES	LINE	BODY	ENGINE	TRANSMISSION
L=Low Line	Z= Chrysler, RHD	41 = 4 Door,	ECB = 2.0L 4 Cyl. , 16V SMPI	DD5 = 5 Speed Manual
H=High Line	D= Dodge	104WB	ECH = 2.0L 4 Cyl, 16V SOHC	DGL = 4 Speed Automatic
S = Special	C= Chrysler		EJD, EJ0 = 1.6L 4 Cyl 16v, SOHC	DG0 = All Automatics
P = Premium				DBB = All 5 Speed Manual
X = R/T				

AR = Use as required - = Non illustrated part # = New this model year

April 9, 2002

Seat Belts - Front Figure IPL-710



ITEM	PART NUMBER	QTY	LINE	SERIES	BODY	TRIM	DESCRIPTION
Note: CGA = Manual Active (Mexico Only) n key.							
1	4645 950AC	2					ADJUSTER, Seat Belt Turning Loop
2							BOLT, Serviced With Item 1, (NOT SERVICED)
3							SEAT BELT, Front Outer
	#UP20 1DVAB	1	C, D				[DV], With [CGA], Right
	#UP20 1L5AB	1	C, D				[L5], With [CGA], Right
	#UP21 1DVAB	1	C, D				[DV], With [CGA], Left
	#UP21 1L5AB	1	C, D				[L5], With [CGA], Left
	#UP22 1DVAB	1	C, D				[DV], Right
	#UP22 1L5AB	1	C, D				[L5], Right
	#UP23 1DVAB	1	C, D				[DV], Left
	#UP23 1L5AB	1	C, D				[L5], Left
	#UX74 1X9AB	1	Z				Black, With Airbags, Right
	#UX75 1X9AB	1	Z				Black, With Airbags, Left
	#UX76 1X9AB	1	C, D				Black, With Airbags, European, Right
	#UX77 1X9AB	1	C, D				Black, With Airbags, European, Left
	#WU30 1DVAA	1	C, D				[DV], With Airbag
	#WU30 1L5AA	1	C, D				[L5], With Airbag
4	6506 238AA	2					SCREW, Pan Head, Turn Loop Attachment Front
5	JV77 TL2	2					COVER, Adjustable Turning Loop
6	4645 780	2					KNOB, Seat Belt Adjuster
7	6504 542	2					SCREW, 6 Lobed
8	6504 973AA	2					SCREW, Seat Belt Attaching
9							SEAT BELT, Front Inner
	5066 190AA	1					K7
		1	C, D				CL
		1	Z				CL
		1	C, D				C7
		1					B7
		1	C, D				RL
		1	C, D				XL
		1	C, D				A7
		1	C, D				R7
		1					L7
10							SEAT BELT, Buckle Half
	TQ09 1DVAB	1					K7 [DV]
		1					B7 [DV]
		1	C, D				RL [DV]
		1	C, D				XL [DV]
		1	C, D				A7 [DV]
		1	C, D				R7 [DV]

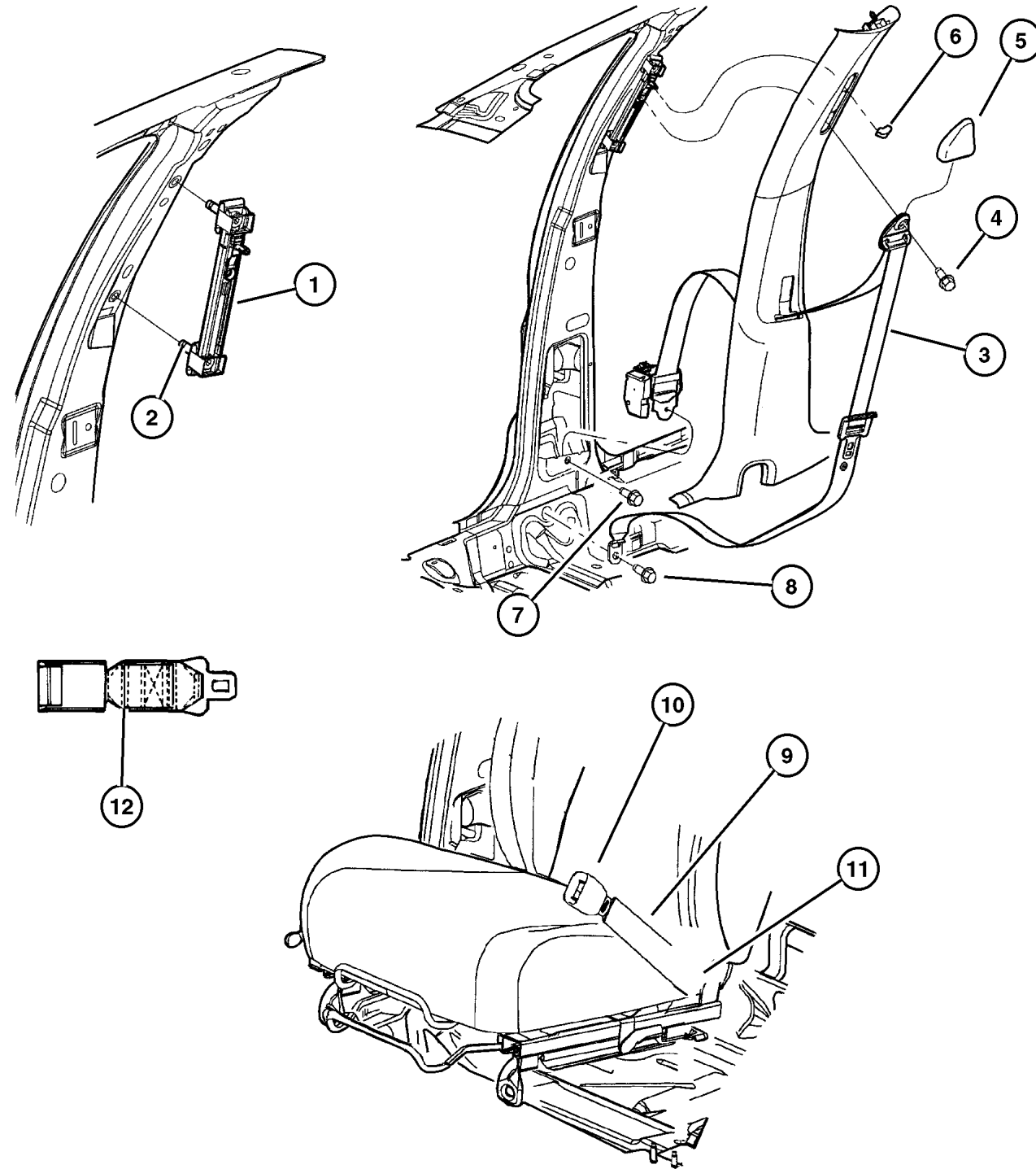
DODGE - CHRYSLER NEON (PL)

SERIES	LINE	BODY	ENGINE	TRANSMISSION
L=Low Line	Z= Chrysler, RHD	41 = 4 Door,	ECB = 2.0L 4 Cyl. , 16V SMPI	DD5 = 5 Speed Manual
H=High Line	D= Dodge	104WB	ECH = 2.0L 4 Cyl, 16V SOHC	DGL = 4 Speed Automatic
S = Special	C= Chrysler		EJD, EJ0 = 1.6L 4 Cyl 16v, SOHC	DG0 = All Automatics
P = Premium				DBB = All 5 Speed Manual
X = R/T				

AR = Use as required - = Non illustrated part # = New this model year

April 9, 2002

Seat Belts - Front Figure IPL-710



ITEM	PART NUMBER	QTY	LINE	SERIES	BODY	TRIM	DESCRIPTION
	TQ09 1L5AB	1				K7	[L5]
		1				B7	[L5]
		1	C, D			RL	[L5]
		1	C, D			XL	[L5]
11	6504 542	2					SCREW, 6 Lobed, Seat Belt Attaching
12	4856 560	1				B7	EXTENDER, Seat Belt
		1	C, D			RL	
		1	C, D			XL	
		1	C, D			A7	
		1	C, D			R7	
		1	C, D			KL	
		1	C, D			CL	
		1	C, D			C7	
		1				K7	

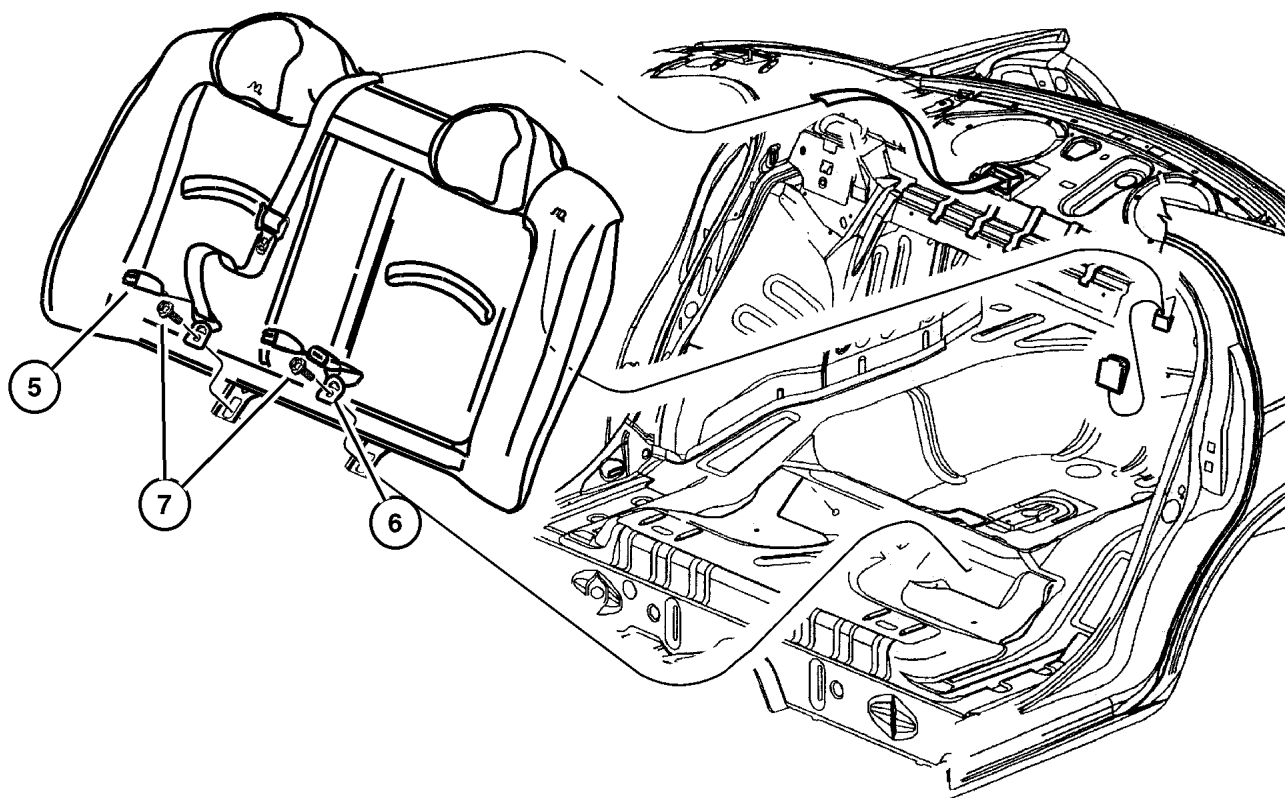
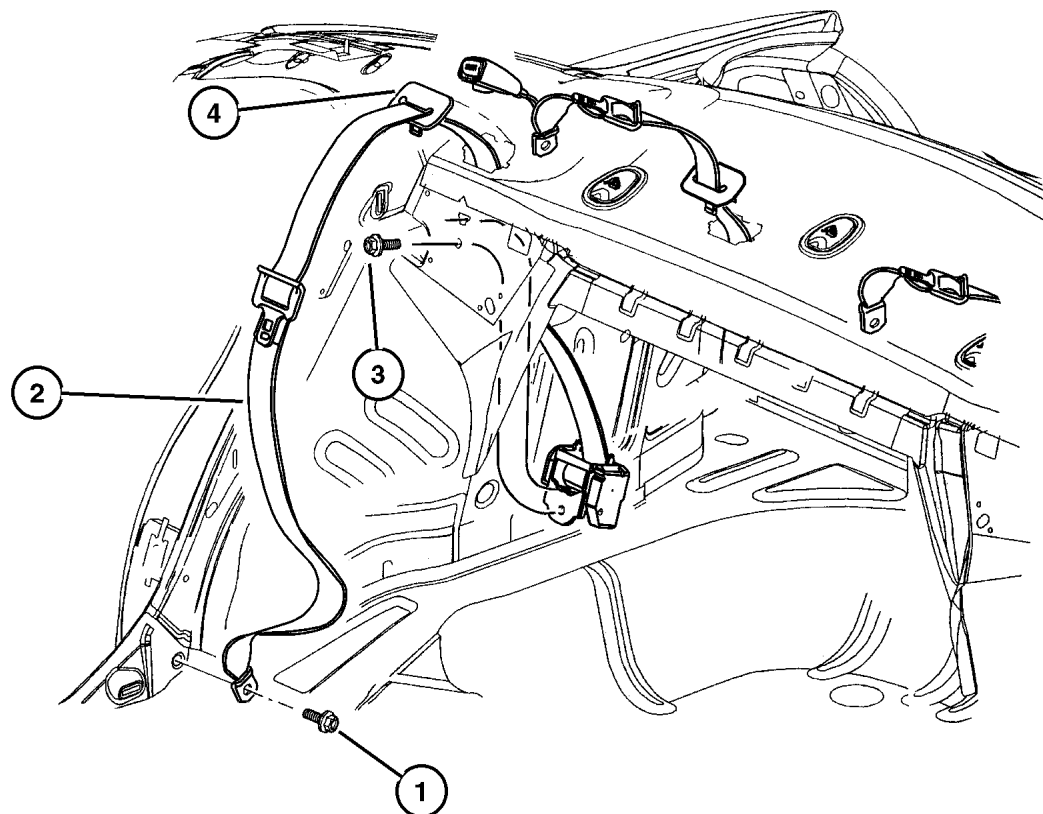
DODGE - CHRYSLER NEON (PL)

SERIES	LINE	BODY	ENGINE	TRANSMISSION
L=Low Line	Z= Chrysler, RHD	41 = 4 Door,	ECB = 2.0L 4 Cyl. , 16V SMPI	DD5 = 5 Speed Manual
H=High Line	D= Dodge	104WB	ECH = 2.0L 4 Cyl, 16V SOHC	DGL = 4 Speed Automatic
S = Special	C= Chrysler		EJD, EJO = 1.6L 4 Cyl 16v, SOHC	DG0 = All Automatics
P = Premium				DBB = All 5 Speed Manual
X = R/T				

AR = Use as required - = Non illustrated part # = New this model year

April 9, 2002

Seat Belts - Rear
Figure IPL-720



ITEM	PART NUMBER	QTY	LINE	SERIES	BODY	TRIM	DESCRIPTION
1	6504 542	2					SCREW, 6 Lobed
2	UP16 1L5AA	2	C, D				SEAT BELT, Rear Outer [L5]
	UP16 XDVAA	2	C, D				[DV]
	#UX78 1X8AB	2					[L5], European
	#UX78 1XVAB	2					[DV], European
3	6035 992AA	2					SCREW AND WASHER, Pan Head, .437-20x1.20 Center Retractor Attaching, Rear Retractor Attaching, Rear
4							BEZEL, Seat Belt, Serviced With Seat Belt, (NOT SERVICED)
5	#UP17 1DVAB	1	C, D				SEAT BELT, RR CNTR SHOULDER [DV]
	#UP17 1L5AB	1	C, D				[L5]
	#UX79 1X8AB	1					[L5], European
	#UX79 1XVAB	1					[DV], European
6	#TA43 1DVAB	1	C, D				SEAT BELT, Rear Inner [DV]
	#TA43 1L5AB	1	C, D				[L5]
	#WF77 1X9AA	1					[DV], European
		1					[L5], European
7	#6036 368AA	2					SCREW, Rear Seat Belts Attaching
-8	5008 328AB	1					BRACKET, Child Tether Anchor Center
	5008 332AB	1					Right
	5008 333AB	1					Left
-9	TA52 WL8AA	3					COVER, Anchor [L5]
	TA52 XDVAA	3					[DV]
-10	5023 227AA	3					PIN, Child Teather

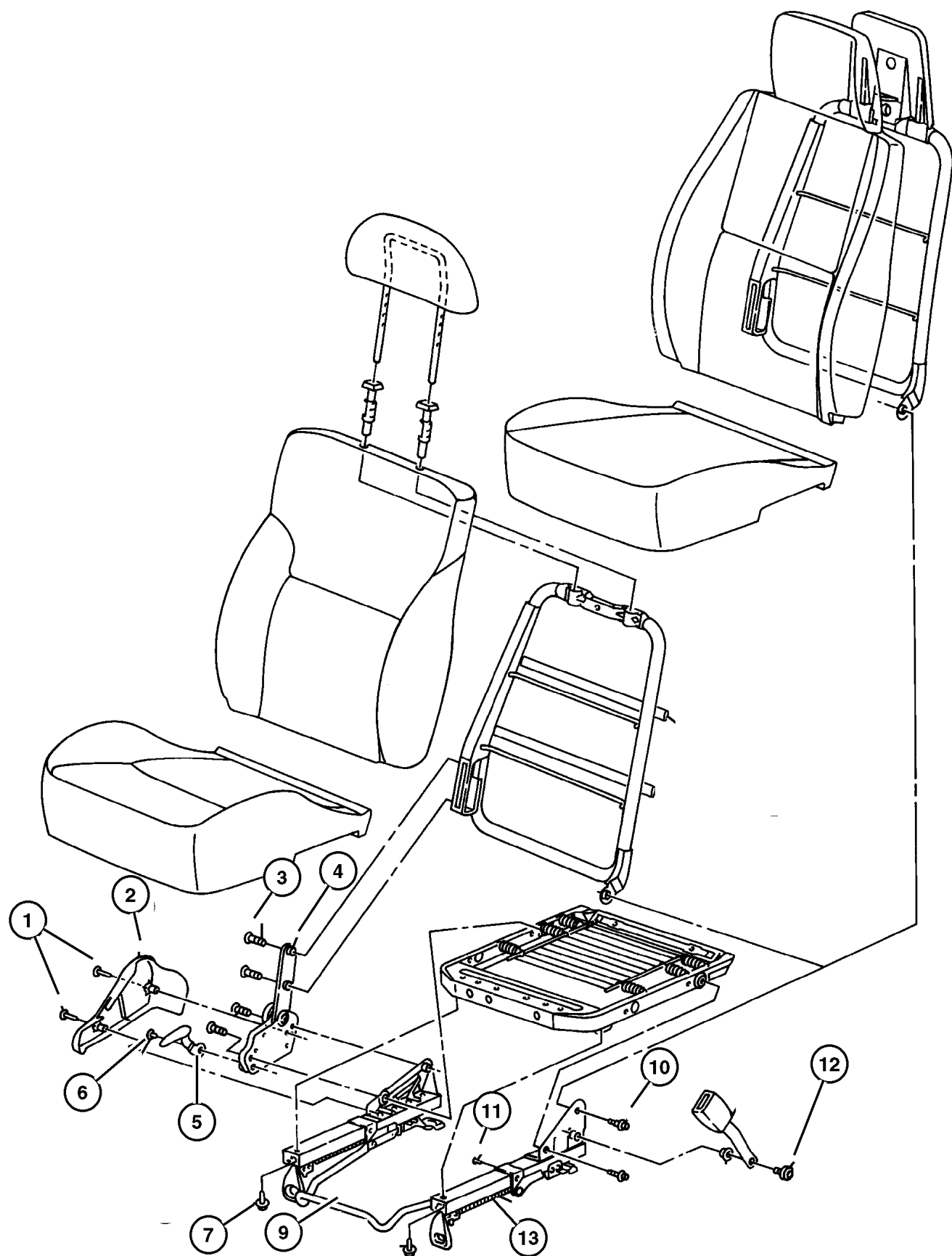
DODGE - CHRYSLER NEON (PL)

SERIES	LINE	BODY	ENGINE	TRANSMISSION
L=Low Line	Z= Chrysler, RHD	41 = 4 Door,	ECB = 2.0L 4 Cyl. , 16V SMPI	DD5 = 5 Speed Manual
H=High Line	D= Dodge	104WB	ECH = 2.0L 4 Cyl, 16V SOHC	DGL = 4 Speed Automatic
S = Special	C= Chrysler		EJD, EJ0 = 1.6L 4 Cyl 16v, SOHC	DG0 = All Automatics
P = Premium				DBB = All 5 Speed Manual
X = R/T				

AR = Use as required - = Non illustrated part # = New this model year

April 9, 2002

Seat Adjusters, Recliners and Side Shields Figure IPL-810



ITEM	PART NUMBER	QTY	LINE	SERIES	BODY	TRIM	DESCRIPTION
1							SCREW, Side Shield Outer, (NOT SERVICED)
2							SHIELD, Seat Cushion
	JF76 1DV	1				K7	[DV], Right
		1				L7	[DV], Right
		1	Z			C7	[DV], Right
		1	C, D			C7	[DV], Right
		1				B7	[DV], Right
		1	C, D			RL	[DV], Right
		1	C, D			XL	[DV], Right
		1				RL	[DV], Right
		1	C, D			A7	[DV], Right
		1	C, D			R7	[DV], Right
		1	C, D			KL	[DV], Right
		1	Z			KL	[DV], Right
		1	C, D			CL	[DV], Right
		1	Z			CL	[DV], Right
	JF76 1L5	1				K7	[L5], Right
		1	Z			C7	[L5], Right
		1	C, D			C7	[L5], Right
		1				B7	[L5], Right
		1	C, D			RL	[L5], Right
		1	C, D			XL	[L5], Right
		1	C, D			R7	[L5], Right
		1	C, D			CL	[L5], Right
		1	Z			CL	[L5], Right
	JF77 1DV	1				K7	[DV], Left
		1				L7	[DV], Left
		1	C, D			C7	[DV], Left
		1	Z			C7	[DV], Left
		1	C, D			KL	[DV], Left
		1	C, D			CL	[DV], Left
		1	C, D			RL	[DV], Left
		1	C, D			XL	[DV], Left
		1				RL	[DV], Left
		1	C, D			A7	[DV], Left
		1	C, D			R7	[DV], Left
	JF77 1L5	1				K7	[L5], Left
		1	C, D			C7	[L5], Left
		1	Z			C7	[L5], Left
		1	C, D			RL	[L5], Left
		1	C, D			XL	[L5], Left

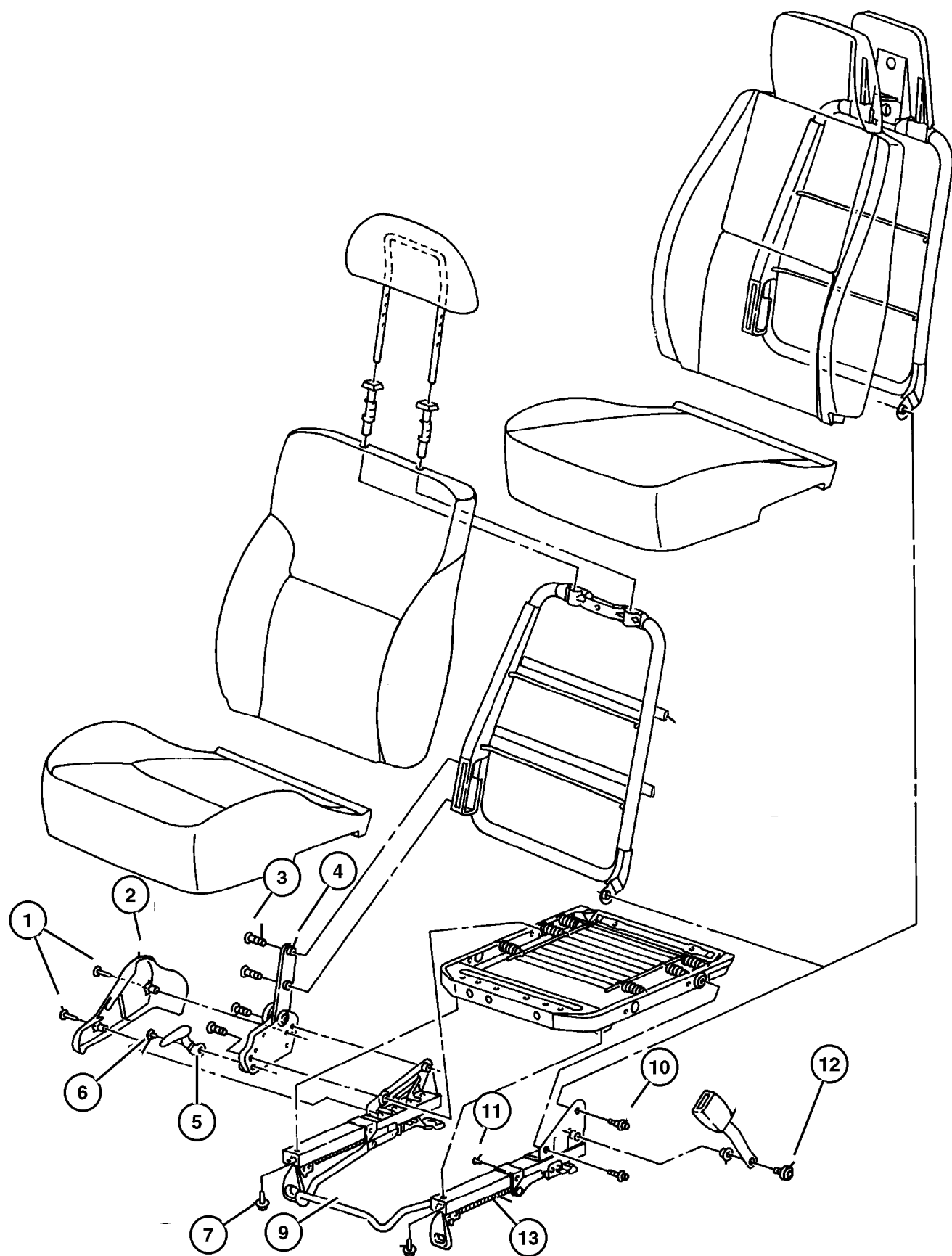
DODGE - CHRYSLER NEON (PL)

SERIES	LINE	BODY	ENGINE	TRANSMISSION
L=Low Line	Z= Chrysler, RHD	41 = 4 Door, 104WB	ECB = 2.0L 4 Cyl. , 16V SMPI	DD5 = 5 Speed Manual
H=High Line	D= Dodge		ECH = 2.0L 4 Cyl, 16V SOHC	DGL = 4 Speed Automatic
S = Special	C= Chrysler		EJD, EJ0 = 1.6L 4 Cyl 16v, SOHC	DG0 = All Automatics
P = Premium				DBB = All 5 Speed Manual
X = R/T				

AR = Use as required - = Non illustrated part # = New this model year

April 9, 2002

Seat Adjusters, Recliners and Side Shields Figure IPL-810



ITEM	PART NUMBER	QTY	LINE	SERIES	BODY	TRIM	DESCRIPTION
		1	C, D			R7	[L5], Left
		1	C, D			CL	[L5], Left
		1	Z			CL	[L5], Left
	UA12 1DVAA	1	C, D			C7	[DV], Right,Power
		1	Z			C7	[DV], Right,Power
		1	C, D			KL	[DV], Right,Power
	UA12 1L5AA	1	C, D			CL	[DV], Right,Power
		1	C, D			C7	[L5], Right,Power
		1	Z			C7	[L5], Right,Power
		1	C, D			CL	[L5], Right,Power
	UA13 1DVAA	1	C, D			C7	[DV], Left,Power
		1	C, D			KL	[DV], Left,Power
		1	C, D			CL	[DV]
		1				B7	[DV]
		1	Z			C7	[DV]
	UA13 1L5AA	1	C, D			C7	[L5]
		1				B7	[L5]
		1	C, D			CL	[L5]
3							BOLT, Recliner
	4746 997	10				K7	
		10				L7	
		10	C, D			C7	
		1	Z			KL	
		10	C, D			KL	
		10	C, D			CL	
		1	C, D			RL	
		1	Z			CL	
		1	C, D			XL	
		1				B7	
		1	C, D			A7	
		1	C, D			R7	
4							RECLINER, Seat Back
	4797 318	1				K7	Right
		1				L7	Right
		1	C, D			C7	Right
		1	Z			C7	Right
		10	C, D			KL	Right
		1	Z			KL	Right
		1	C, D			RL	Right
		1	C, D			XL	Right
		1				B7	Right

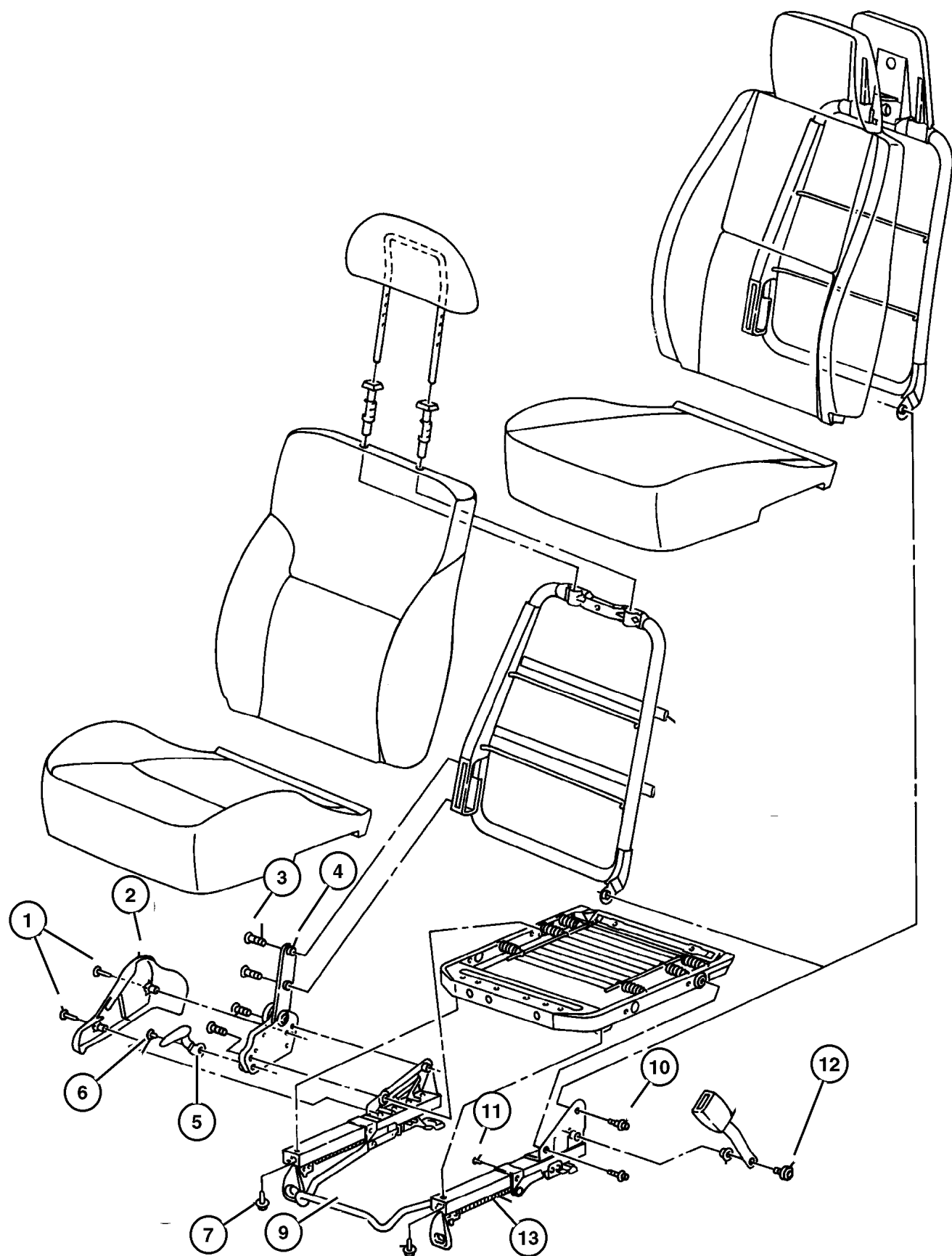
DODGE - CHRYSLER NEON (PL)

SERIES	LINE	BODY	ENGINE	TRANSMISSION
L=Low Line	Z= Chrysler, RHD	41 = 4 Door,	ECB = 2.0L 4 Cyl. , 16V SMPI	DD5 = 5 Speed Manual
H=High Line	D= Dodge	104WB	ECH = 2.0L 4 Cyl, 16V SOHC	DGL = 4 Speed Automatic
S = Special	C= Chrysler		EJD, EJ0 = 1.6L 4 Cyl 16v, SOHC	DG0 = All Automatics
P = Premium				DBB = All 5 Speed Manual
X = R/T				

AR = Use as required - = Non illustrated part # = New this model year

April 9, 2002

Seat Adjusters, Recliners and Side Shields Figure IPL-810



ITEM	PART NUMBER	QTY	LINE	SERIES	BODY	TRIM	DESCRIPTION
		1	C, D			A7	Right
		1	C, D			R7	Right
	4797 319	1				K7	Left
		1				L7	Left
		1	C, D			C7	Left
		1	Z			C7	Left
		1	C, D			KL	Left
		1	C, D			CL	Left
		1	C, D			RL	Left
		1	C, D			XL	Left
		1				B7	Left
		1	C, D			A7	Left
		1	C, D			R7	Left
5							HANDLE, Recliner
	4740 986	1				K7	Right
		1				L7	Right
		1	C, D			C7	Right
		1	Z			C7	Right
		2	C, D			KL	Right
		2	C, D			CL	Right
		1	C, D			RL	Right
		1	C, D			XL	Right
		1				B7	Right
		1	C, D			A7	Right
		1	C, D			R7	Right
	4740 987	1				K7	Left
		1				L7	Left
		1	C, D			C7	Left
		1	Z			C7	Left
		1	C, D			KL	Left
		10	C, D			CL	Left
		1	C, D			RL	Left
		1	C, D			XL	Left
		1				B7	Left
		1	C, D			A7	Left
		1	C, D			R7	Left
6							BOLT, Recliner, Recliner Handle Attaching (M6x10-T30 Torx)
	4746 997	10				K7	
		10				L7	
		10	C, D			C7	

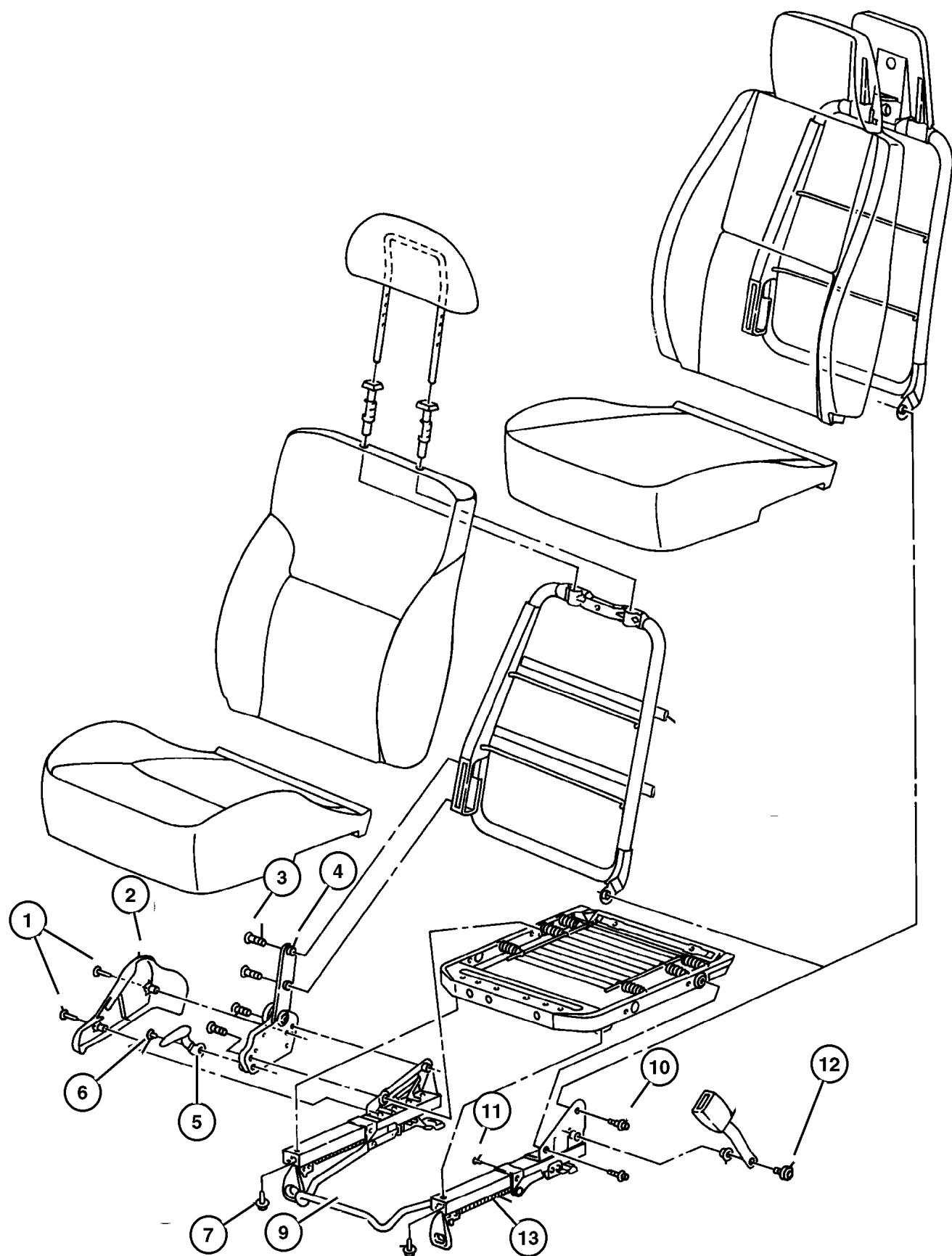
DODGE - CHRYSLER NEON (PL)

SERIES	LINE	BODY	ENGINE	TRANSMISSION
L=Low Line	Z= Chrysler, RHD	41 = 4 Door,	ECB = 2.0L 4 Cyl. , 16V SMPI	DD5 = 5 Speed Manual
H=High Line	D= Dodge	104WB	ECH = 2.0L 4 Cyl, 16V SOHC	DGL = 4 Speed Automatic
S = Special	C= Chrysler		EJD, EJO = 1.6L 4 Cyl 16v, SOHC	DG0 = All Automatics
P = Premium				DBB = All 5 Speed Manual
X = R/T				

AR = Use as required - = Non illustrated part # = New this model year

April 9, 2002

Seat Adjusters, Recliners and Side Shields Figure IPL-810



ITEM	PART NUMBER	QTY	LINE	SERIES	BODY	TRIM	DESCRIPTION
		10	Z			C7	
		10	C, D			CL	
		1	Z			CL	
		1	C, D			RL	
		1	C, D			XL	
		1				B7	
		1	C, D			A7	
		1	C, D			R7	
7							BOLT, Cushion To Adjuster
	4761 014	4				K7	
		4				L7	
		4	C, D			C7	
		4	C, D			KL	
-8							SCREW AND WASHER, Hex Head, M10x1.5x40
	6505 872AA	1				K7	Adjuster To Floor
		1				L7	Adjuster To Floor
		1	Z			C7	Adjuster To Floor
		1				B7	Adjuster To Floor
		1	C, D			RL	Adjuster To Floor
		1	C, D			XL	Adjuster To Floor
		1	C, D			A7	Adjuster To Floor
		1	C, D			R7	Adjuster To Floor
		1	C, D			KL	Adjuster To Floor
		1	C, D			CL	Adjuster To Floor
9							TOWEL BAR, Seat Adjuster Handle
	5017 602AA	2				K7	
		2				L7	
		2	C, D			C7	
		2	Z			C7	
		2	C, D			KL	
		1				B7	
		1	C, D			RL	
		1	C, D			XL	
		1	C, D			A7	
		1	C, D			R7	
		1	C, D			CL	
10							BOLT, Adjuster Shoulder
	4874 140	1				K7	Adjuster To Cushion
		1				L7	Adjuster To Cushion
		1	C, D			C7	Adjuster To Cushion
		1	Z			C7	Adjuster To Cushion

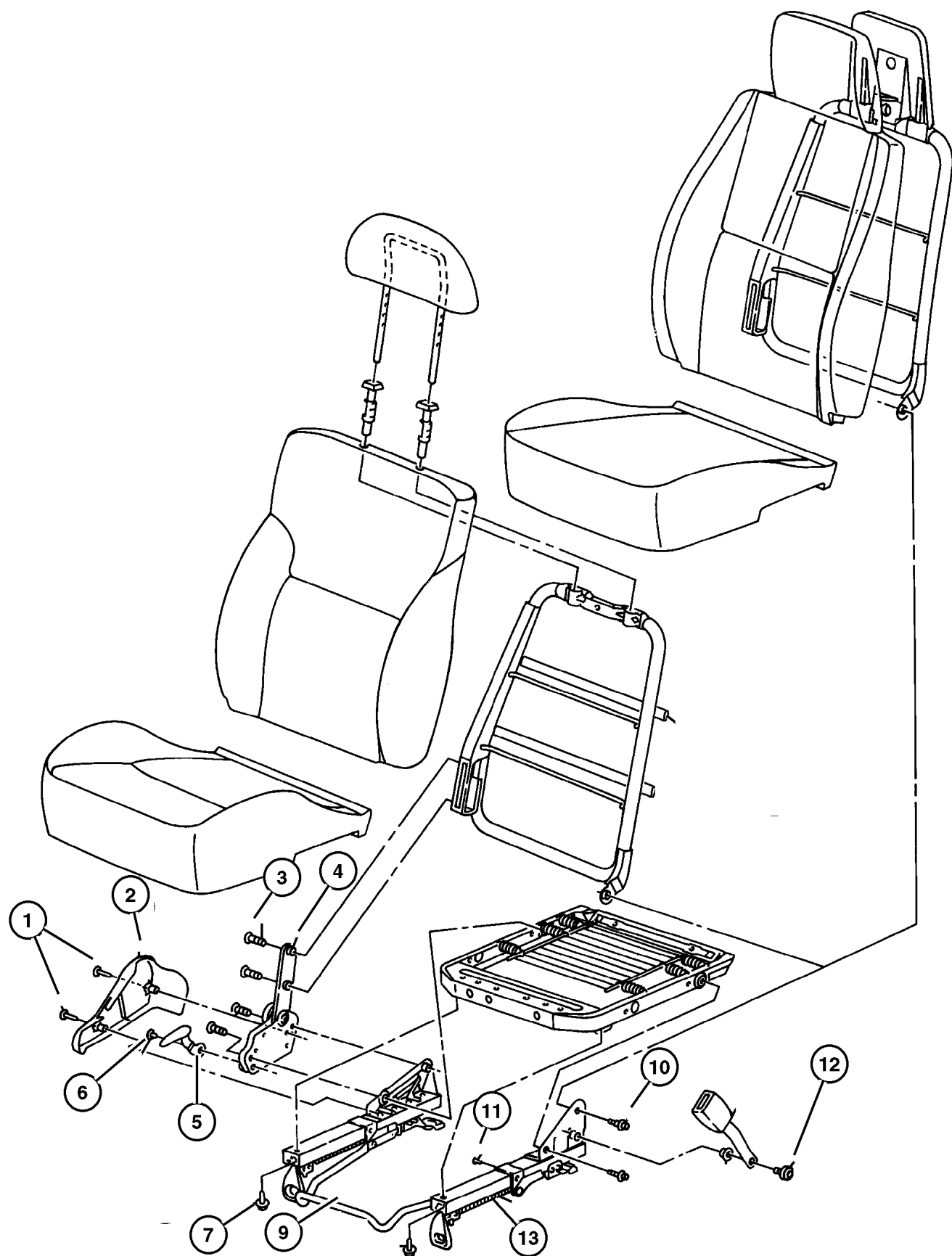
DODGE - CHRYSLER NEON (PL)

SERIES	LINE	BODY	ENGINE	TRANSMISSION
L=Low Line	Z= Chrysler, RHD	41 = 4 Door,	ECB = 2.0L 4 Cyl. , 16V SMPI	DD5 = 5 Speed Manual
H=High Line	D= Dodge	104WB	ECH = 2.0L 4 Cyl, 16V SOHC	DGL = 4 Speed Automatic
S = Special	C= Chrysler		EJD, EJ0 = 1.6L 4 Cyl 16v, SOHC	DG0 = All Automatics
P = Premium				DBB = All 5 Speed Manual
X = R/T				

AR = Use as required - = Non illustrated part # = New this model year

April 9, 2002

Seat Adjusters, Recliners and Side Shields Figure IPL-810



ITEM	PART NUMBER	QTY	LINE	SERIES	BODY	TRIM	DESCRIPTION
		1	C, D			KL	Adjuster To Cushion
		1	C, D			CL	Adjuster To Cushion
		1	C, D			RL	Adjuster To Cushion
		1	C, D			XL	Adjuster To Cushion
		1				RL	Adjuster To Cushion
		1				B7	Adjuster To Cushion
		1	C, D			A7	Adjuster To Cushion
		1	C, D			R7	Adjuster To Cushion
11							RIVET, Pop, (NOT SERVICED)
12	6504 973AA	2					SCREW, Attaching, Seat Belt
13	5017 598AA	1				L7	Left,Inboard
		1				K7	Left,Inboard
		1	C, D			C7	Left,Inboard
		1	C, D			CL	Left,Inboard
		1	C, D			KL	Left,Inboard
		1	C, D			R7	Left,Inboard
		1	C, D			A7	Left,Inboard
		1	C, D			XL	Left,Inboard
		1	C, D			RL	Left,Inboard
		1				B7	Left,Inboard
	5017 599AA	1	Z			C7	Left,Inboard
		1	C, D			XL	Left,Outboard
		1	C, D			R7	Left,Outboard
		1	C, D			KL	Left,Outboard
		1	C, D			C7	Left,Outboard
		1	C, D			CL	Left,Outboard
		1	C, D			A7	Left,Outboard
		1	C, D			RL	Left,Outboard
		1				B7	Left,Outboard
		1				L7	Left,Outboard
	5017 600AA	1	Z			C7	Left,Outboard
		1	C, D			C7	Right,Outboard
		1				K7	Right,Outboard
		1				L7	Right,Outboard
		1				B7	Right,Outboard
		1	C, D			RL	Right,Outboard
		1	C, D			XL	Right,Outboard
		1	C, D			A7	Right,Outboard
		1	C, D			R7	Right,Outboard
		1	C, D			KL	Right,Outboard

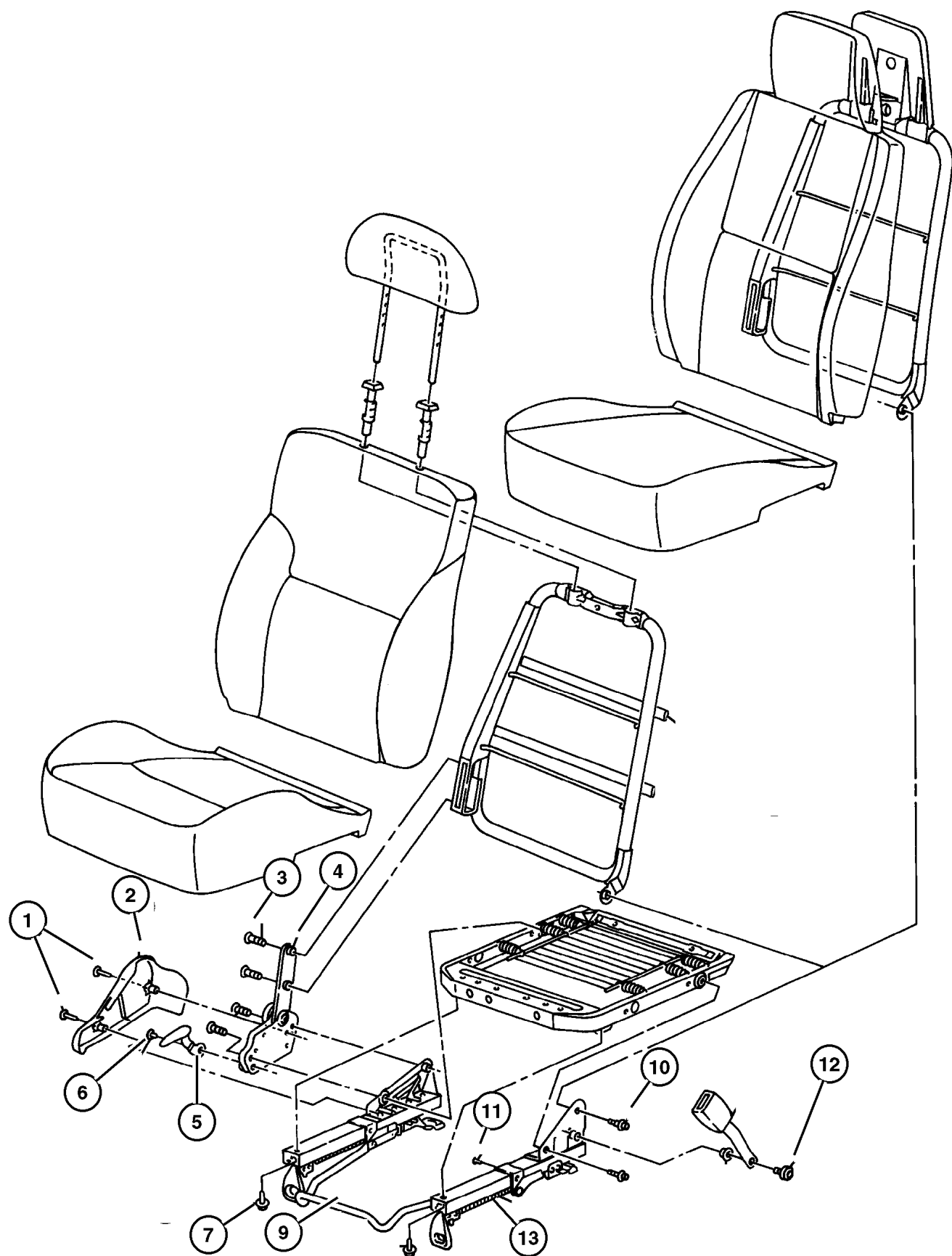
DODGE - CHRYSLER NEON (PL)

SERIES	LINE	BODY	ENGINE	TRANSMISSION
L=Low Line	Z= Chrysler, RHD	41 = 4 Door,	ECB = 2.0L 4 Cyl. , 16V SMPI	DD5 = 5 Speed Manual
H=High Line	D= Dodge	104WB	ECH = 2.0L 4 Cyl, 16V SOHC	DGL = 4 Speed Automatic
S = Special	C= Chrysler		EJD, EJ0 = 1.6L 4 Cyl 16v, SOHC	DG0 = All Automatics
P = Premium				DBB = All 5 Speed Manual
X = R/T				

AR = Use as required - = Non illustrated part # = New this model year

April 9, 2002

Seat Adjusters, Recliners and Side Shields Figure IPL-810



ITEM	PART NUMBER	QTY	LINE	SERIES	BODY	TRIM	DESCRIPTION
		1	C, D			CL	Right,Outboard
		1	Z			C7	Right,Outboard
	5017 601AA	1	C, D			C7	Right,Inboard
		1				K7	Right,Inboard
		1				L7	Right,Inboard
		1				B7	Right,Inboard
		1	C, D			RL	Right,Inboard
		1	C, D			XL	Right,Inboard
		1	C, D			A7	Right,Inboard
		1	C, D			R7	Right,Inboard
		1	C, D			KL	Right,Inboard
		1	C, D			CL	Right,Inboard
		1	Z			CL	Right,Inboard
-14							ADJUSTER, Power Seat
	5018 094AA	1	C, D			C7	Right
		1	Z			C7	Right
		1	C, D			KL	Right
		1	C, D			CL	Right
		1	Z			CL	Right
		1	C, D			A7	Right
		1	C, D			R7	Right
	5018 095AA	1	C, D			C7	Left
		1	Z			C7	Left
		1	C, D			KL	Left
		1	Z			KL	Left
		1	C, D			CL	Left
		1	Z			CL	Left
		1	C, D			A7	Left
		1	C, D			R7	Left
		1				B7	Left
-15							WIRE, Seat Adjuster
	5017 596AA	2				K7	
		2				L7	
		1	C, D			C7	
		1	Z			C7	
		2	C, D			KL	
		1				B7	
		1	C, D			RL	
		1	C, D			XL	
		1	C, D			A7	
		1	C, D			R7	

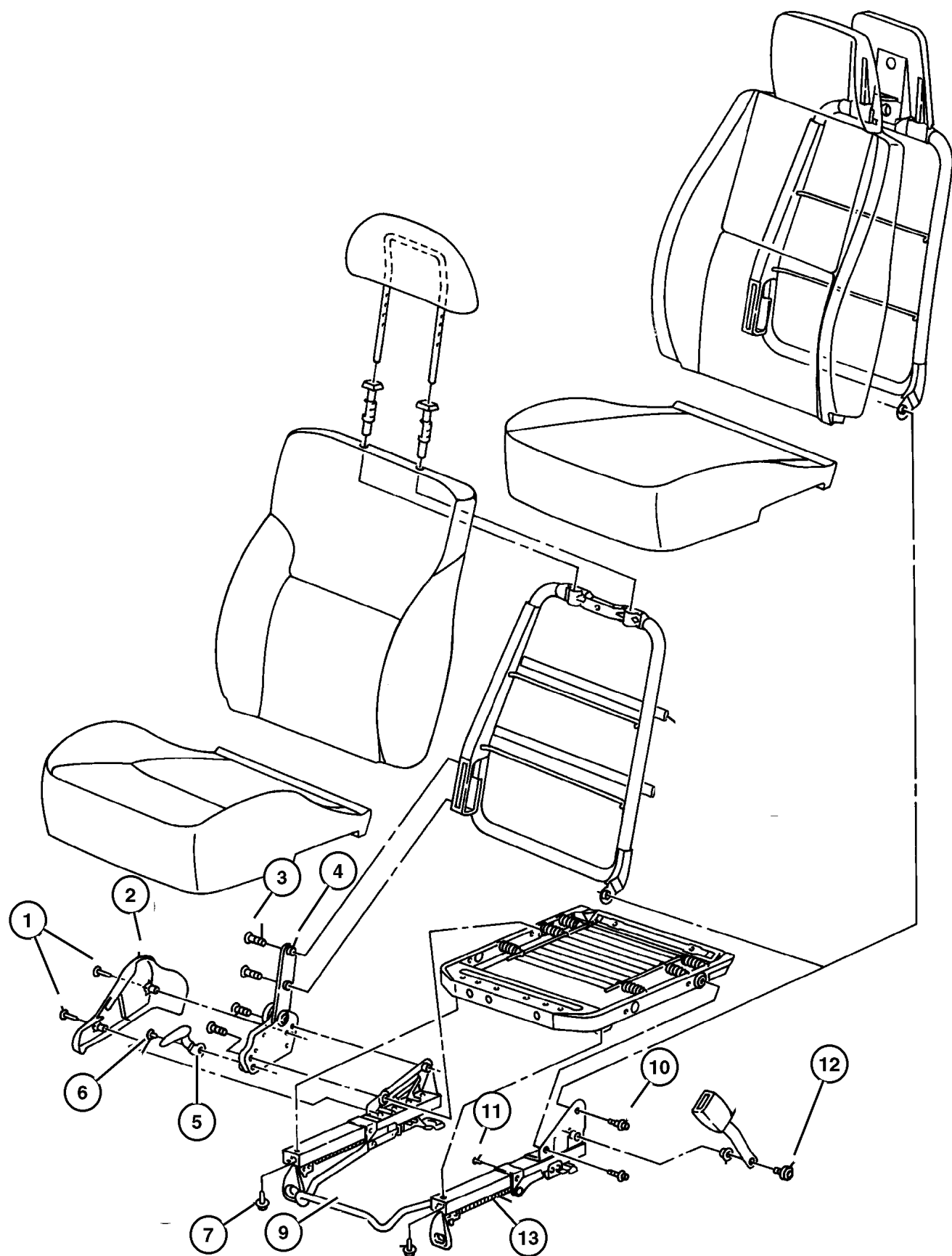
DODGE - CHRYSLER NEON (PL)

SERIES	LINE	BODY	ENGINE	TRANSMISSION
L=Low Line	Z= Chrysler, RHD	41 = 4 Door,	ECB = 2.0L 4 Cyl. , 16V SMPI	DD5 = 5 Speed Manual
H=High Line	D= Dodge	104WB	ECH = 2.0L 4 Cyl, 16V SOHC	DGL = 4 Speed Automatic
S = Special	C= Chrysler		EJD, EJ0 = 1.6L 4 Cyl 16v, SOHC	DG0 = All Automatics
P = Premium				DBB = All 5 Speed Manual
X = R/T				

AR = Use as required - = Non illustrated part # = New this model year

April 9, 2002

Seat Adjusters, Recliners and Side Shields Figure IPL-810



ITEM	PART NUMBER	QTY	LINE	SERIES	BODY	TRIM	DESCRIPTION
		1	Z			KL	
		1	Z			CL	
-16	5017 595AA	2				K7	SPRING, Seat Track Adjuster
		2				L7	
		1	C, D			C7	
		1	Z			C7	
		2	C, D			KL	
		1				B7	
		1	C, D			RL	
		1	C, D			XL	
		1	C, D			A7	
		1	C, D			R7	
		1	C, D			CL	
		1				L7	
-17	4645 946AA	2	C, D			U7	AIR BAG, Seat
		2	Z			E7	
		2	C, D			X7	
		2	Z			J7	
		2	Z			KL	
		2	C, D			RL	
		2	C, D			A7	
		2	C, D			R7	
		2	C, D			XL	
		2	Z			K7	
		2				L7	
		2				B7	
		2	C, D			C7	
		2	Z			C7	
		2	C, D			CL	
-18	5018 096AA	1				B7	MOTOR, Power Seat
		1	C, D			RL	
		1	C, D			XL	
		1	C, D			A7	
		1	C, D			R7	
		1	C, D			KL	
		1	C, D			CL	
		1	C, D			C7	
-19							COVER, Seat Adjuster

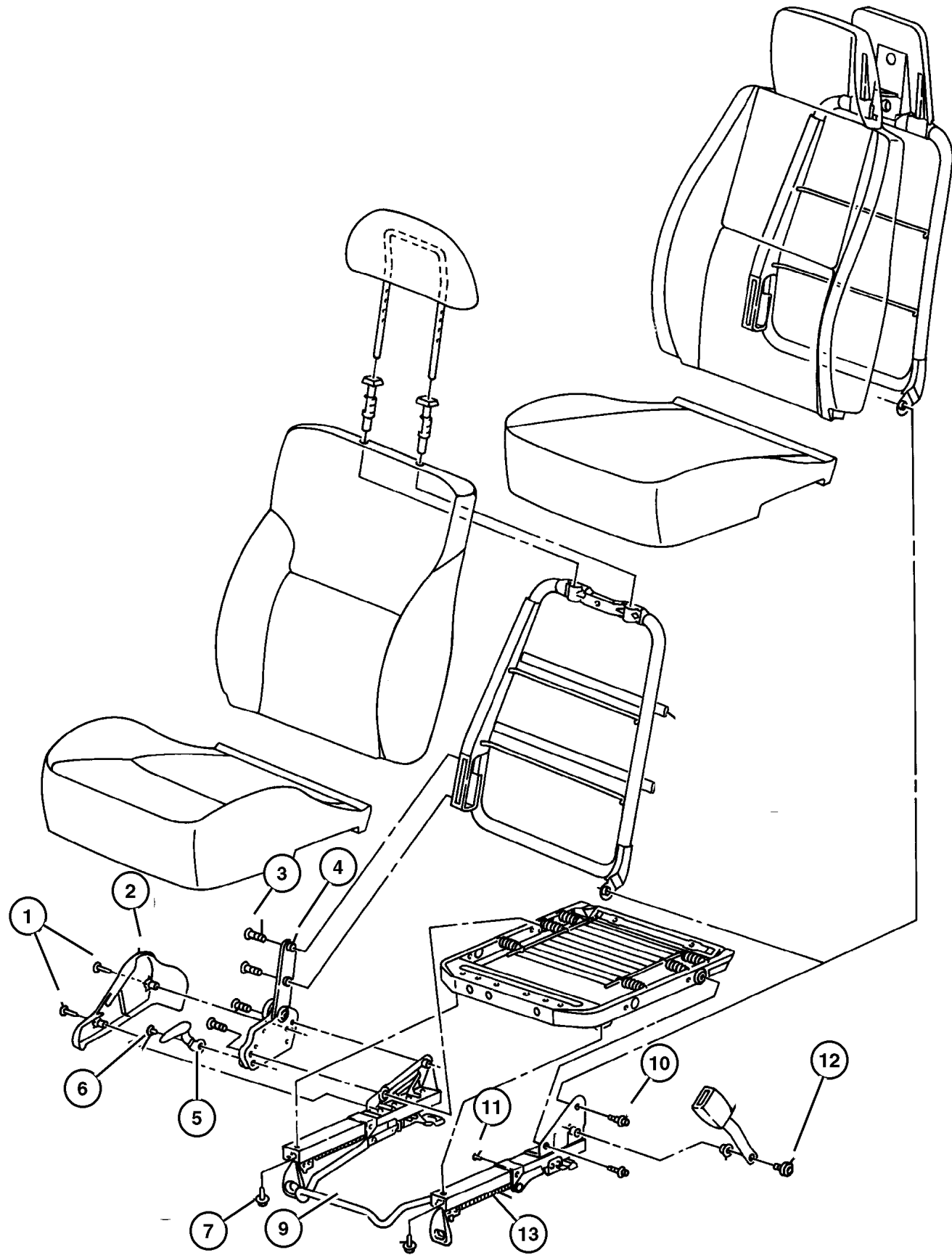
DODGE - CHRYSLER NEON (PL)

SERIES	LINE	BODY	ENGINE	TRANSMISSION
L=Low Line	Z= Chrysler, RHD	41 = 4 Door,	ECB = 2.0L 4 Cyl. , 16V SMPI	DD5 = 5 Speed Manual
H=High Line	D= Dodge	104WB	ECH = 2.0L 4 Cyl, 16V SOHC	DGL = 4 Speed Automatic
S = Special	C= Chrysler		EJD, EJ0 = 1.6L 4 Cyl 16v, SOHC	DG0 = All Automatics
P = Premium				DBB = All 5 Speed Manual
X = R/T				

AR = Use as required - = Non illustrated part # = New this model year

April 9, 2002

Seat Adjusters, Recliners and Side Shields Figure IPL-810



ITEM	PART NUMBER	QTY	LINE	SERIES	BODY	TRIM	DESCRIPTION
	4897 937AA	1				B7	
		1	C, D			RL	
		1	C, D			XL	
		1	C, D			R7	
		1	C, D			A7	
		1	C, D			KL	
		1	C, D			CL	
		1	Z			CL	
		1	Z			C7	
		1	C, D			C7	
		1				K7	
		1				L7	

DODGE - CHRYSLER NEON (PL)

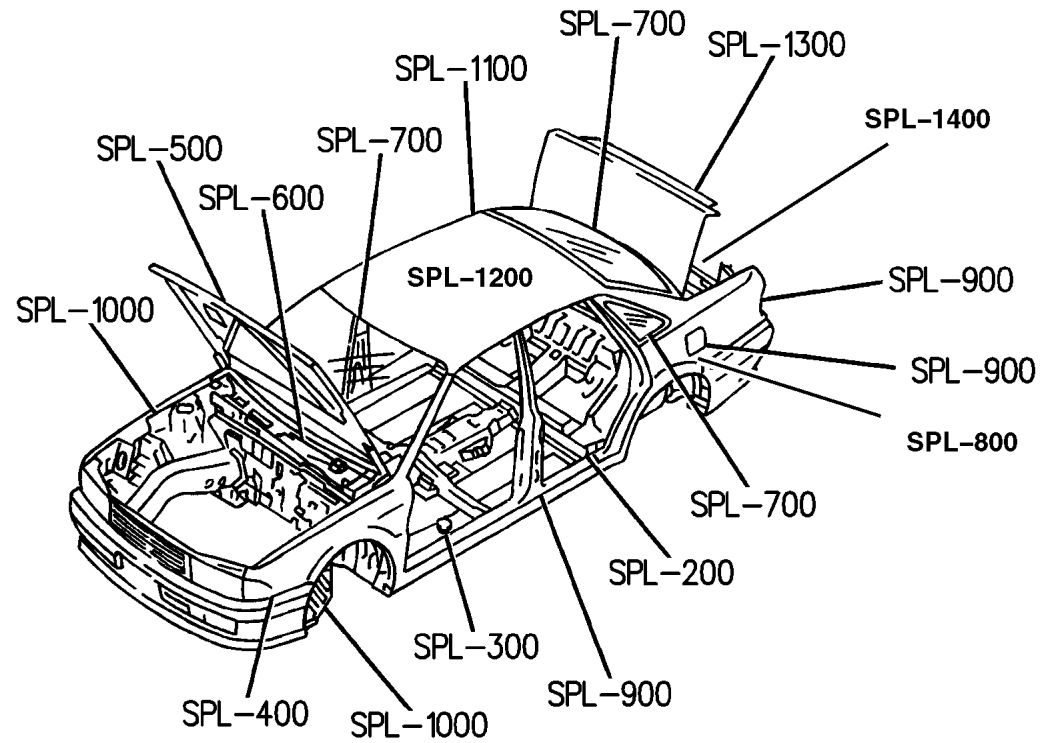
SERIES	LINE	BODY	ENGINE	TRANSMISSION
L=Low Line	Z= Chrysler, RHD	41 = 4 Door,	ECB = 2.0L 4 Cyl. , 16V SMPI	DD5 = 5 Speed Manual
H=High Line	D= Dodge	104WB	ECH = 2.0L 4 Cyl, 16V SOHC	DGL = 4 Speed Automatic
S = Special	C= Chrysler		EJD, EJO = 1.6L 4 Cyl 16v, SOHC	DG0 = All Automatics
P = Premium				DBB = All 5 Speed Manual
X = R/T				

AR = Use as required - = Non illustrated part # = New this model year

April 9, 2002

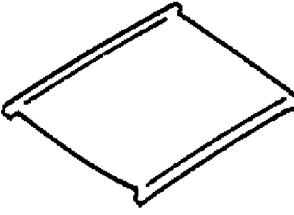

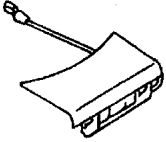
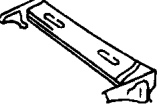
Group – SPL

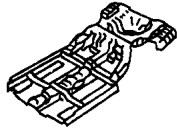

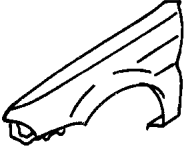
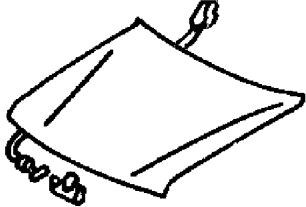
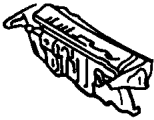

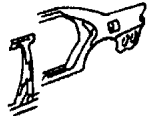
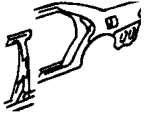
Body Sheet Metal Except Doors



Group – SPL

Body Sheet Metal Except Doors

<p>SPL-1100 Roof Panels</p> 	<p>SPL-1200 Sunroof</p> 	<p>SPL-1300 Deck Lid</p> 	<p>SPL-1400 Rear Shelf Panel</p> 
--	--	---	---

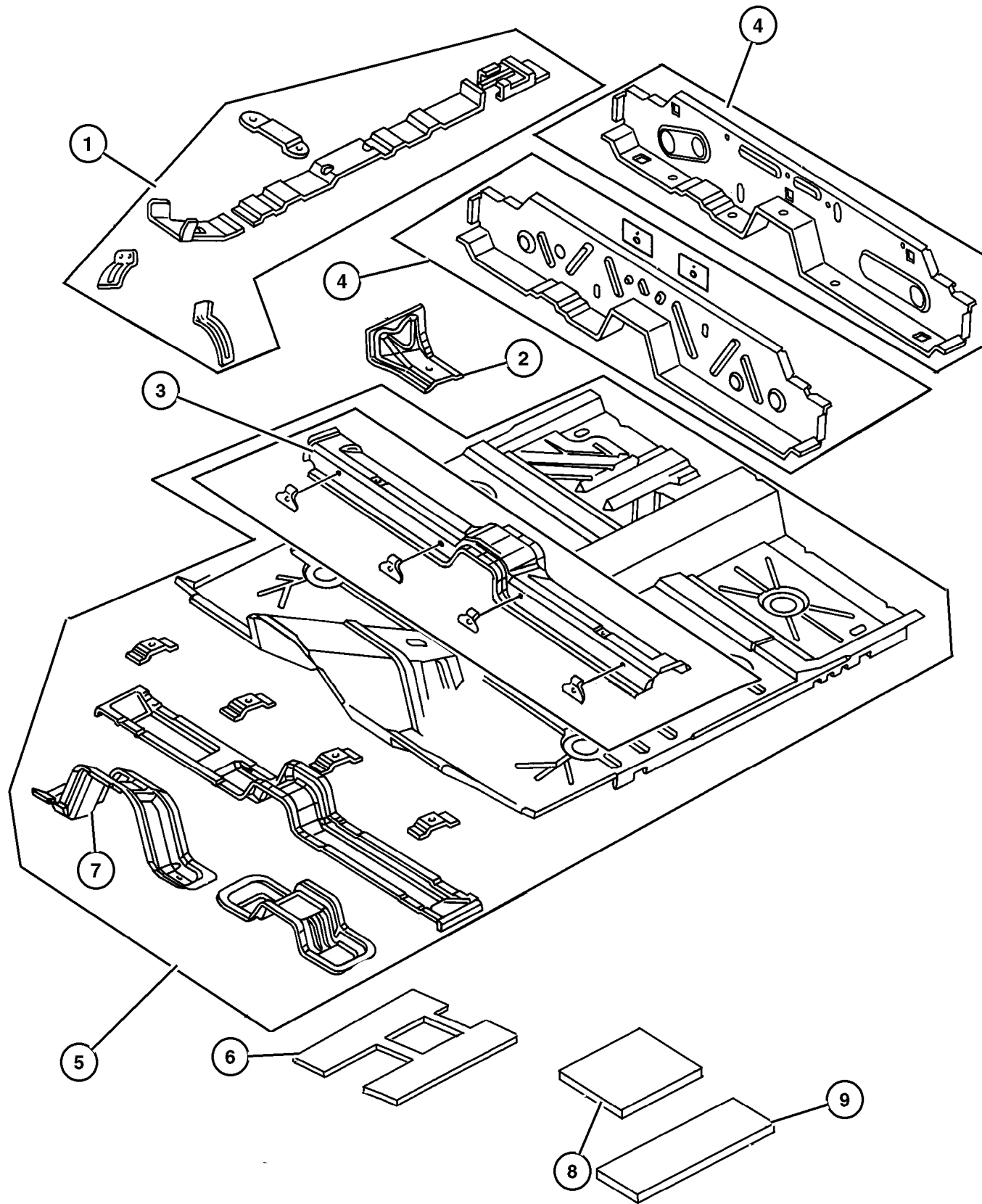
<p>SPL-200 Floor Pans</p> 	<p>SPL-300 Plugs</p> 	<p>SPL-400 Front Fenders</p> 	<p>SPL-500 Hood and Hood Release</p> 
<p>SPL-600 Cowl and Dash Panel</p> 	<p>SPL-700 Glass and Mirror</p> 	<p>SPL-800 Aperture Panel</p> 	<p>SPL-900 Quarter Panel</p> 

GROUP SPL - Body Sheet Metal Except Doors

Illustration Title	Group-Fig. No.
Floor Pans	
Floor Pan	Fig. SPL-210
Floor Pan, Rear	Fig. SPL-220
Plugs	
PLugs	Fig. SPL-310
Front Fenders	
Front Fender	Fig. SPL-410
Hood and Hood Release	
Hood and Hood Release	Fig. SPL-510
Seal and Weather Strips (Hood)	Fig. SPL-520
Cowl and Dash Panel	
Cowl and Dash Panel	Fig. SPL-610
Glass and Mirror	
Windshield, Backlite and Mirror	Fig. SPL-710
Aperture Panel	
Aperture Panels - Packages (4-Door)	Fig. SPL-810
Aperture Panels - 4 Door	Fig. SPL-820
Quarter Panel	
Quarter Panel	Fig. SPL-910
Roof Panels	
Roof Panel	Fig. SPL-1110
Sunroof	
Sunroof	Fig. SPL-1210
Sunroof - Attaching Parts	Fig. SPL-1215
Deck Lid	
Deck Lid	Fig. SPL-1310
Spoiler - Rear Deck Lid	Fig. SPL-1315
Rear Shelf Panel	
Rear Shelf Panel	Fig. SPL-1410



Floor Pan Figure SPL-210



ITEM	PART NUMBER	QTY	LINE	BODY	DESCRIPTION
1	4783 733AE	1			BRACKET, Floor Console
2	4783 740	1			BRACE, Floor Pan To Sill Right
	4783 741	1			Left
3	5066 345AA	1			CROSSMEMBER, Front Floor
4	5014 458AD	1			CROSSMEMBER, Rear Floor
5	5013 068AG	1			PAN, Floor, Front
6	5008 350AA	1			PAD, Front Floor Pan Right
	5008 351AA	1			Left
7	5066 345AA	1			CROSSMEMBER, Front Floor
8	4278 178	16			TAPE, Hole Cover, 50x50x1 mm
9	4740 136	1			SILENCER, Floor Pan
-10					PANEL PACKAGE, Sill, Serviced In ILL 820, Item 1, (NOT SERVICED)

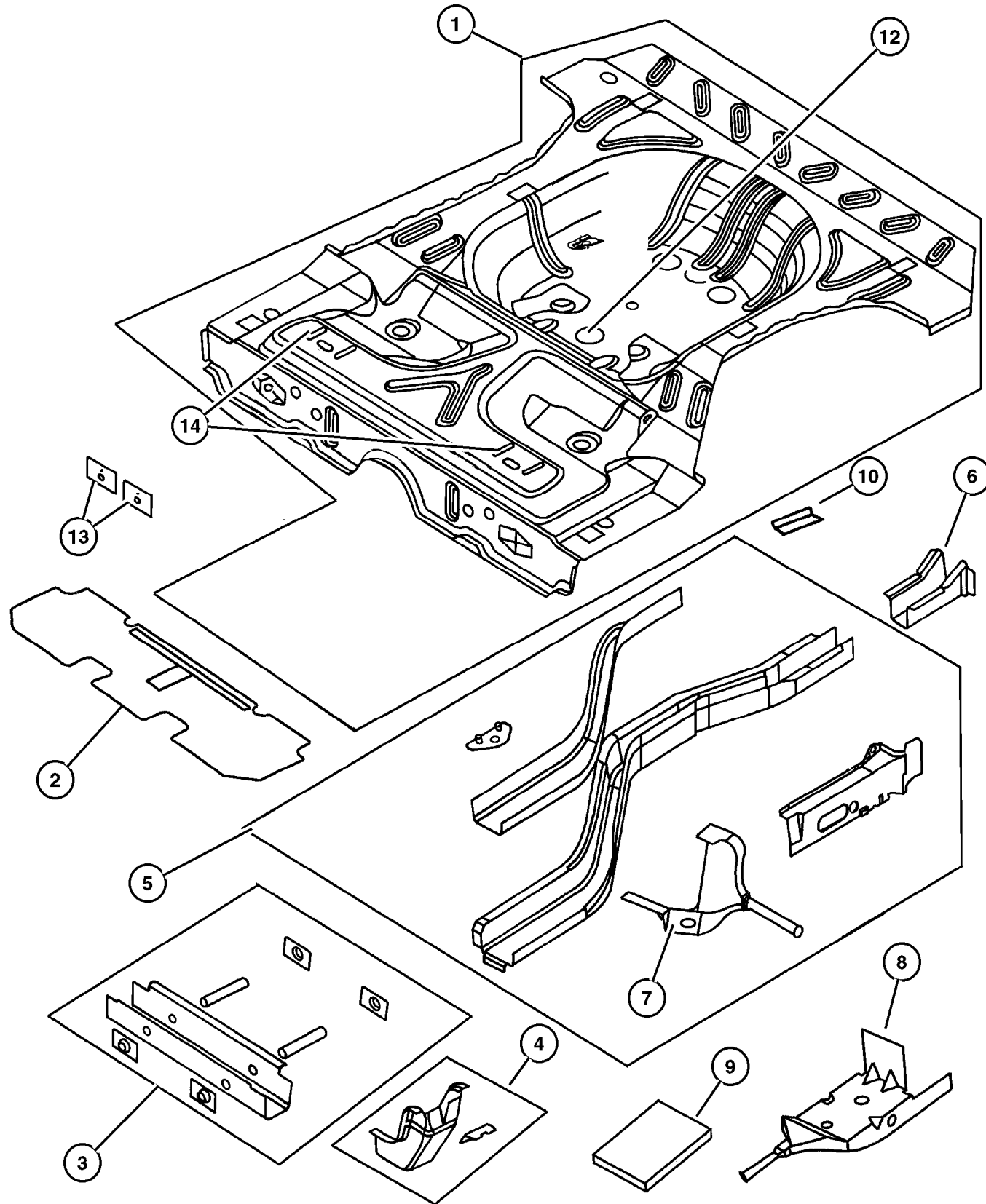
DODGE - CHRYSLER NEON (PL)

SERIES	LINE	BODY	ENGINE	TRANSMISSION
L=Low Line	Z= Chrysler, RHD	41 = 4 Door,	ECB = 2.0L 4 Cyl. , 16V SMPI	DD5 = 5 Speed Manual
H=High Line	D= Dodge	104WB	ECH = 2.0L 4 Cyl, 16V SOHC	DGL = 4 Speed Automatic
S = Special	C= Chrysler		EJD, EJO = 1.6L 4 Cyl 16v, SOHC	DG0 = All Automatics
P = Premium				DBB = All 5 Speed Manual
X = R/T				

AR = Use as required - = Non illustrated part # = New this model year

April 9, 2002

Floor Pan, Rear
Figure SPL-220



ITEM	PART NUMBER	QTY	LINE	BODY	DESCRIPTION
1	#5066 462AB	1			PAN, Floor, Rear
2	4888 865AC	1			SILENCER, Floor Pan, Under Rear Seat
3	5014 458AD	1			CROSSMEMBER, Rear Floor
4	4783 361	2			CROSSMEMBER, Rear Suspension Outer
	4783 316AC	1			Center
5	5019 776AA	1			RAIL PACKAGE, Rear Floor Pan Side Right
	5019 777AA	1			Left
6	4888 610AB	1			REINFORCEMENT, Bumper Rear Side Rail, Right
	4888 611AB	1			Rear Side Rail, Left
7	4783 612AC	1			BRACKET, Exhaust Hanger Side Rail, Right,Rear
	4783 613	1			Side Rail, Left,Rear
8	4783 615AC	1			BRACKET, Exhaust Hanger, Side Rail, Front,Mounting
9	4278 178	2			TAPE, Hole Cover, 50x50x1 mm Body Side Sill Inner Panel
		16			Slot Cover Rear Rail
10	4888 915AB	1			BRACKET, Towing
-11	6502 337	4			NUT, M10x1.5, Toe Bracket Attaching
12	4888 547AB	1			BRACKET, Spare Tire, Spare Wheel Anchor Bolt
13					REINFORCEMENT, Floor Pan, Serviced With 5027377AB , (NOT SERVICED)
14	4645 939AA	2			RETAINER, Seat Cushion

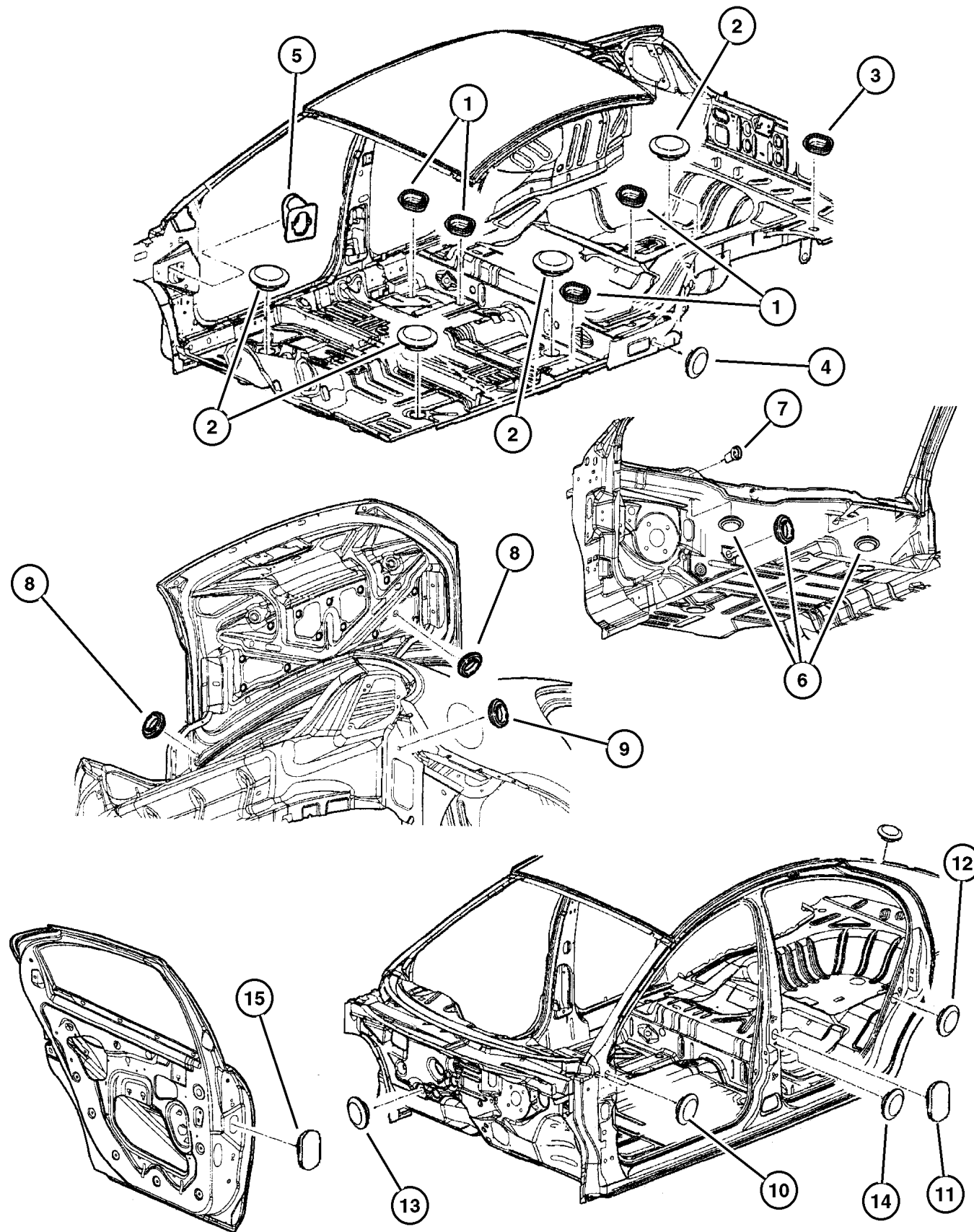
DODGE - CHRYSLER NEON (PL)

SERIES	LINE	BODY	ENGINE	TRANSMISSION
L=Low Line	Z= Chrysler, RHD	41 = 4 Door,	ECB = 2.0L 4 Cyl. , 16V SMPI	DD5 = 5 Speed Manual
H=High Line	D= Dodge	104WB	ECH = 2.0L 4 Cyl, 16V SOHC	DGL = 4 Speed Automatic
S = Special	C= Chrysler		EJD, EJO = 1.6L 4 Cyl 16v, SOHC	DG0 = All Automatics
P = Premium				DBB = All 5 Speed Manual
X = R/T				

AR = Use as required - = Non illustrated part # = New this model year

April 9, 2002

Plugs Figure SPL-310



ITEM	PART NUMBER	QTY	LINE	BODY	DESCRIPTION
1					PLUG, Floor Pan
	4646 971	3			Front
		2			Rear
2					PLUG, Top Seal
	5008 404AA	3			Front,Floor
		2			Rear,Floor
3	4646 971	3			PLUG, Floor Pan, Rear,Floor
4	4860 911AA	2			PLUG, Rear,Side
5					PLUG, Cowl Side
	4888 550AB	1			Right
	4888 551AB	1			Left
6	5255 216	2			PLUG, Body, .875 Diameter
7	5008 012AA	1			ISOLATOR, Cowl Top
8	6029 939	2			PLUG, Body, .50 Diameter, Panel Deck Lid, Inner
9	4674 441	2			PLUG, Body, .75 Diameter, Ext Gage Hole
10	4780 194	2			PLUG, Front Hinge Pillar
11					PLUG, Body Side Aperture, (NOT SERVICED)
12	4440 294	2			PLUG, Rear Fascia, Body Side Aperature Gage Slot
13	5264 670	1	C, D		PLUG, Dash Panel, Drain Hole
14	4860 223	2			PLUG, Shock Tower Hole, B-Pillar Gage Slot
15					PLUG, Body, (NOT SERVICED)
-16	6029 057	1			PLUG, Body, 1.655 Diameter, Round Push-In , Rail Reinforcement Left Engine Mount
-17	2860 332	1			PLUG, Anti-Rattle, Radio Antenna Cable Hole
-18	2811 825	1			PLUG, Splash Shield, Accessory Pulley Splash Shield

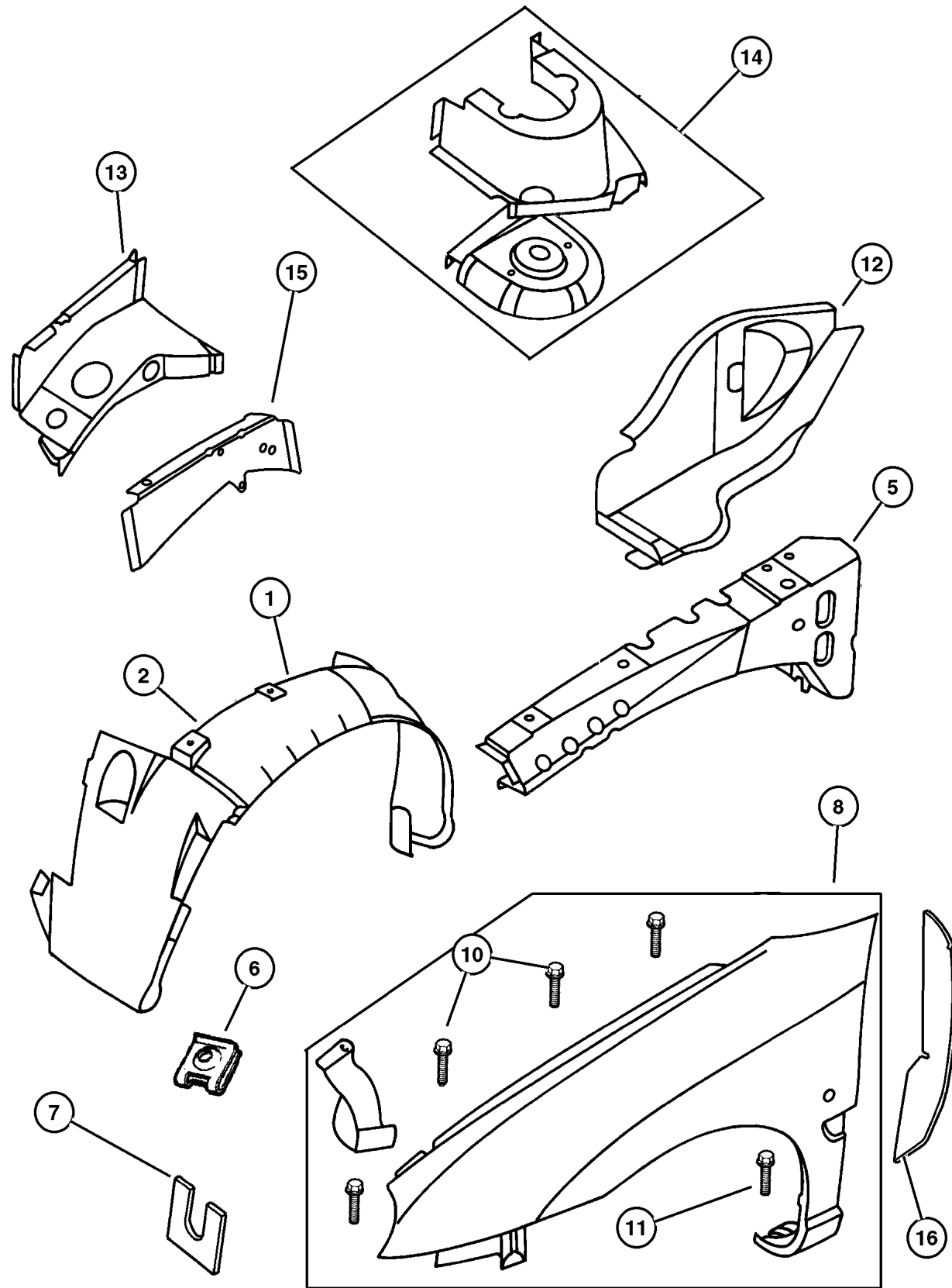
DODGE - CHRYSLER NEON (PL)

SERIES	LINE	BODY	ENGINE	TRANSMISSION
L=Low Line	Z= Chrysler, RHD	41 = 4 Door,	ECB = 2.0L 4 Cyl. , 16V SMPI	DD5 = 5 Speed Manual
H=High Line	D= Dodge	104WB	ECH = 2.0L 4 Cyl, 16V SOHC	DGL = 4 Speed Automatic
S = Special	C= Chrysler		EJD, EJO = 1.6L 4 Cyl 16v, SOHC	DG0 = All Automatics
P = Premium				DBB = All 5 Speed Manual
X = R/T				

AR = Use as required - = Non illustrated part # = New this model year

April 9, 2002

Front Fender Figure SPL-410



ITEM	PART NUMBER	QTY	LINE	BODY	DESCRIPTION
1					SHIELD, Wheelhouse
	5008 070AC	1			Right,Rear
	5008 071AC	1			Left,Rear
2					SHIELD, Splash
	5008 676AA	1			Right,Front
	5008 677AA	1			Left,Front
	5008 674AA	1			R/T, Right,Front
	5008 675AA	1			R/T, Left,Front
-3					BRACKET, Fender Side Shield
	5008 318AB	1			To Fascia Stud Plate, Right
	5008 319AB	1			To Fascia Stud Plate, Left
-4	6030 441	2			PIN, Retainer
5					BEAM, Upper Load Path
	5008 380AC	1			Right
	5008 381AC	1			Left
6					U-NUT, M6 x 1.00, M6x1.00
	6501 703	2			Fender To Body Side Aperature Attaching
		2			Support Front Hinge Pillar
		2			Front Upper Load, Fender
7	4783 805	AR			SHIM, Fender, Load Beam To Fender
8					FENDER, Front
	5012 670AC	1			Right
	5012 671AC	1			Left
	5012 672AC	1			European - [LHD], Right
	5012 673AC	1			European - [LHD], Left
	5012 674AC	1			European - [RHD], Right
	5012 675AC	1			European - [RHD], Left
-9	5008 026AA	2			BRACKET, Fender, Fender To Front Upper Load Beam, Right & Left
10	6506 348AA	4			SCREW AND WASHER, Hex Head, M6x1x25, Fender Attaching
11	6035 155	4			SCREW, Hex Head, .25-14x.875, Fender To Hinge Pillar Attaching
12	5008 389AB	1			SHIELD, Accessory Drive, Pulley Splash, Side Rail, Front
13					PANEL, Fender Side Shield
	4783 302AB	1			Right
	4783 303AB	1			Left
14					PANEL, Front Strut Mounting
	5012 736AJ	1			Right
	5012 737AJ	1			Left
15					EXTENSION, Front Fender Side Shield
	5008 056AD	1			Right

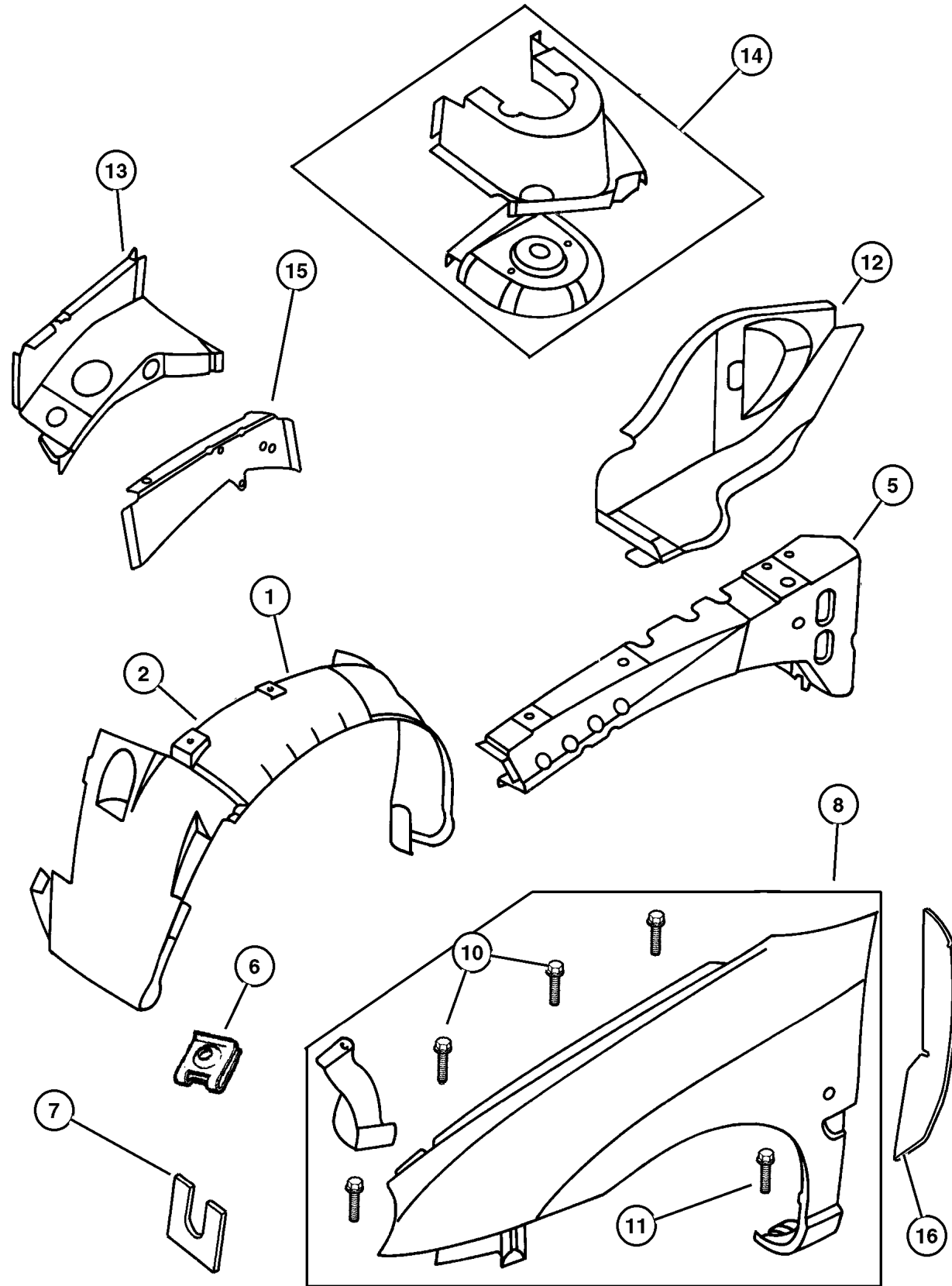
DODGE - CHRYSLER NEON (PL)

SERIES	LINE	BODY	ENGINE	TRANSMISSION
L=Low Line	Z= Chrysler, RHD	41 = 4 Door,	ECB = 2.0L 4 Cyl. , 16V SMPI	DD5 = 5 Speed Manual
H=High Line	D= Dodge	104WB	ECH = 2.0L 4 Cyl, 16V SOHC	DGL = 4 Speed Automatic
S = Special	C= Chrysler		EJD, EJ0 = 1.6L 4 Cyl 16v, SOHC	DG0 = All Automatics
P = Premium				DBB = All 5 Speed Manual
X = R/T				

AR = Use as required - = Non illustrated part # = New this model year

April 9, 2002

Front Fender
Figure SPL-410



ITEM	PART NUMBER	QTY	LINE	BODY	DESCRIPTION
	5008 057AD	1			Left
16					SEAL, Fender Blocker
	#5008 688AA	1			Right
	#5008 689AA	1			Left

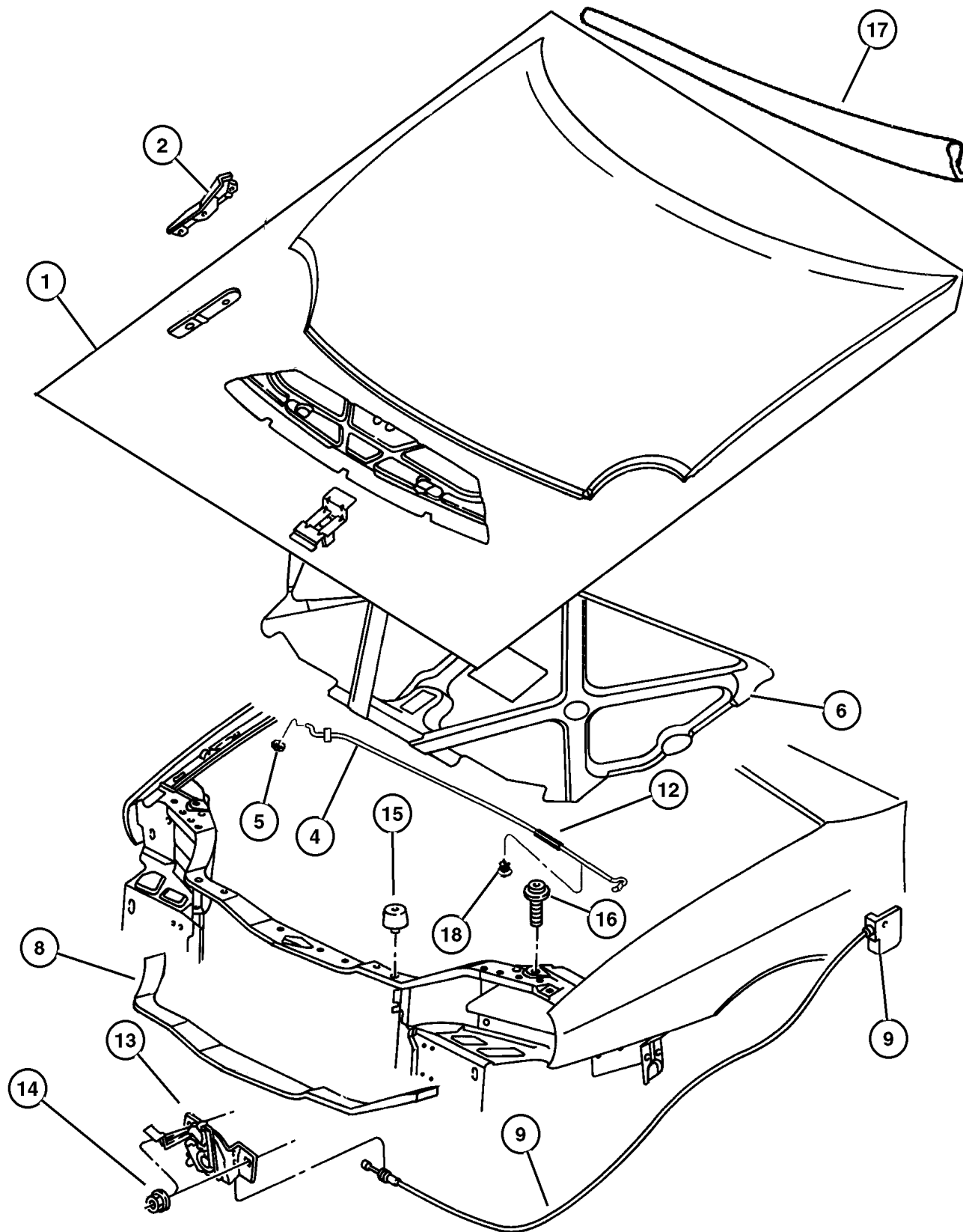
DODGE - CHRYSLER NEON (PL)

SERIES	LINE	BODY	ENGINE	TRANSMISSION
L=Low Line	Z= Chrysler, RHD	41 = 4 Door,	ECB = 2.0L 4 Cyl. , 16V SMPI	DD5 = 5 Speed Manual
H=High Line	D= Dodge	104WB	ECH = 2.0L 4 Cyl, 16V SOHC	DGL = 4 Speed Automatic
S = Special	C= Chrysler		EJD, EJO = 1.6L 4 Cyl 16v, SOHC	DG0 = All Automatics
P = Premium				DBB = All 5 Speed Manual
X = R/T				

AR = Use as required - = Non illustrated part # = New this model year

April 9, 2002

Hood and Hood Release Figure SPL-510



ITEM	PART NUMBER	QTY	LINE	BODY	DESCRIPTION
1	5012 442AD	1			HOOD
2	4783 878AE	1			HINGE, Hood Right
	4783 879AE	1			Left
-3	6506 348AA	4			SCREW AND WASHER, Hex Head, M6x1x25
4	5008 554AB	1			PROP, Hood
5	6036 083AA	1			CLIP, Prop Rod
6	5008 553AA	1			SILENCER, Hood
-7	4341 060	14			FASTENER, Hood Silencer
8	4724 464AA	1			WEATHERSTRIP, Hood to Radiator
9					RELEASE, Hood Latch
	4783 804	1	Z		Cable
	5008 604AC	1	C, D		Cable
-10	6102 059AA	2			SCREW, Hood Release Attaching
-11					GROMMET, Hood Latch Release
	5207 294	1	Z		
		1	C, D		
12	5008 284AA	1			ISOLATOR, Hood Prop Rod
13	4615 516AB	1			LATCH, Hood
14	6503 102	2			NUT AND WASHER, Hex Nut-Coned Washer, M6 x 1.00, To Radiator Support, Hood Latch
15	5008 340AB	1			BUMPER, Crossmember To Hood Stop
16	4103 165	2			BUMPER, Hood
17	4783 658	1			WEATHERSTRIP, Cowl Plenum to Hood
18	4888 913AA	1			BUSHING, Hood Prop Rod Pivot

DODGE - CHRYSLER NEON (PL)

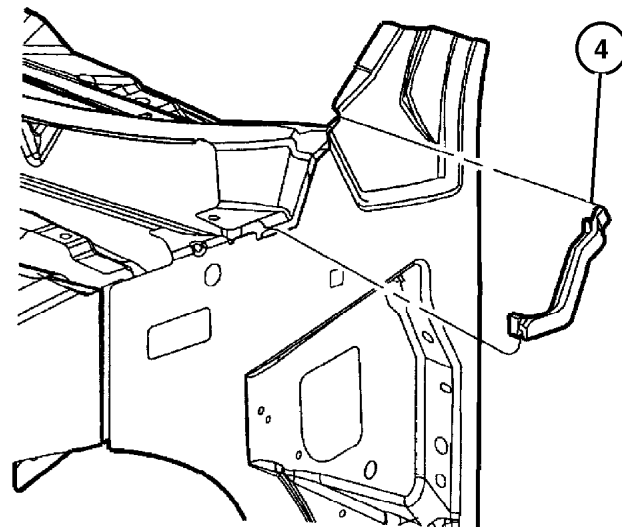
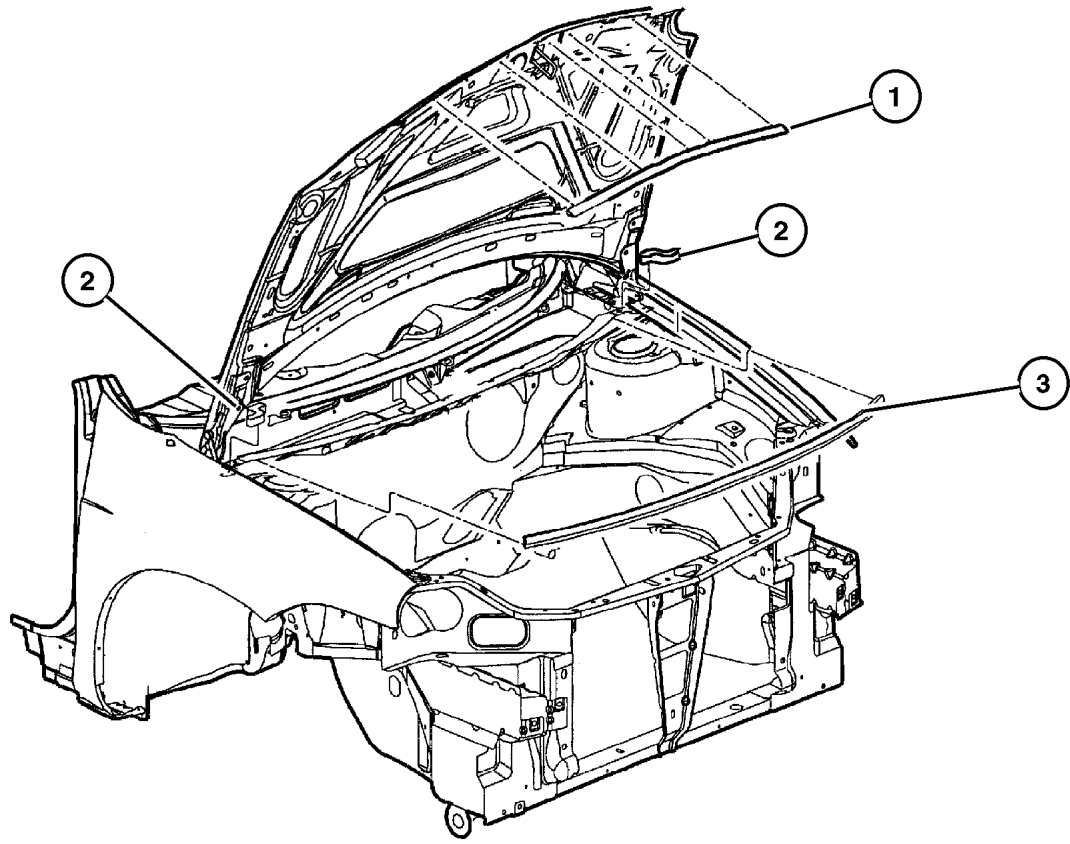
SERIES	LINE	BODY	ENGINE	TRANSMISSION
L=Low Line	Z= Chrysler, RHD	41 = 4 Door,	ECB = 2.0L 4 Cyl. , 16V SMPI	DD5 = 5 Speed Manual
H=High Line	D= Dodge	104WB	ECH = 2.0L 4 Cyl, 16V SOHC	DGL = 4 Speed Automatic
S = Special	C= Chrysler		EJD, EJO = 1.6L 4 Cyl 16v, SOHC	DG0 = All Automatics
P = Premium				DBB = All 5 Speed Manual
X = R/T				

AR = Use as required - = Non illustrated part # = New this model year

April 9, 2002

**Seal and Weather Strips (Hood)
Figure SPL-520**

ITEM	PART NUMBER	QTY	LINE	BODY	DESCRIPTION
1	4724 464AA	1			WEATHERSTRIP, Hood to Radiator
2	5008 136AB	1			SEAL, Fender to Hood Right
	5008 137AB	1			Left
3	4783 658	1			WEATHERSTRIP, Cowl Plenum to Hood
4					BAFFLE, Fender, Cowl Side To Cowl Top, (NOT SERVICED)



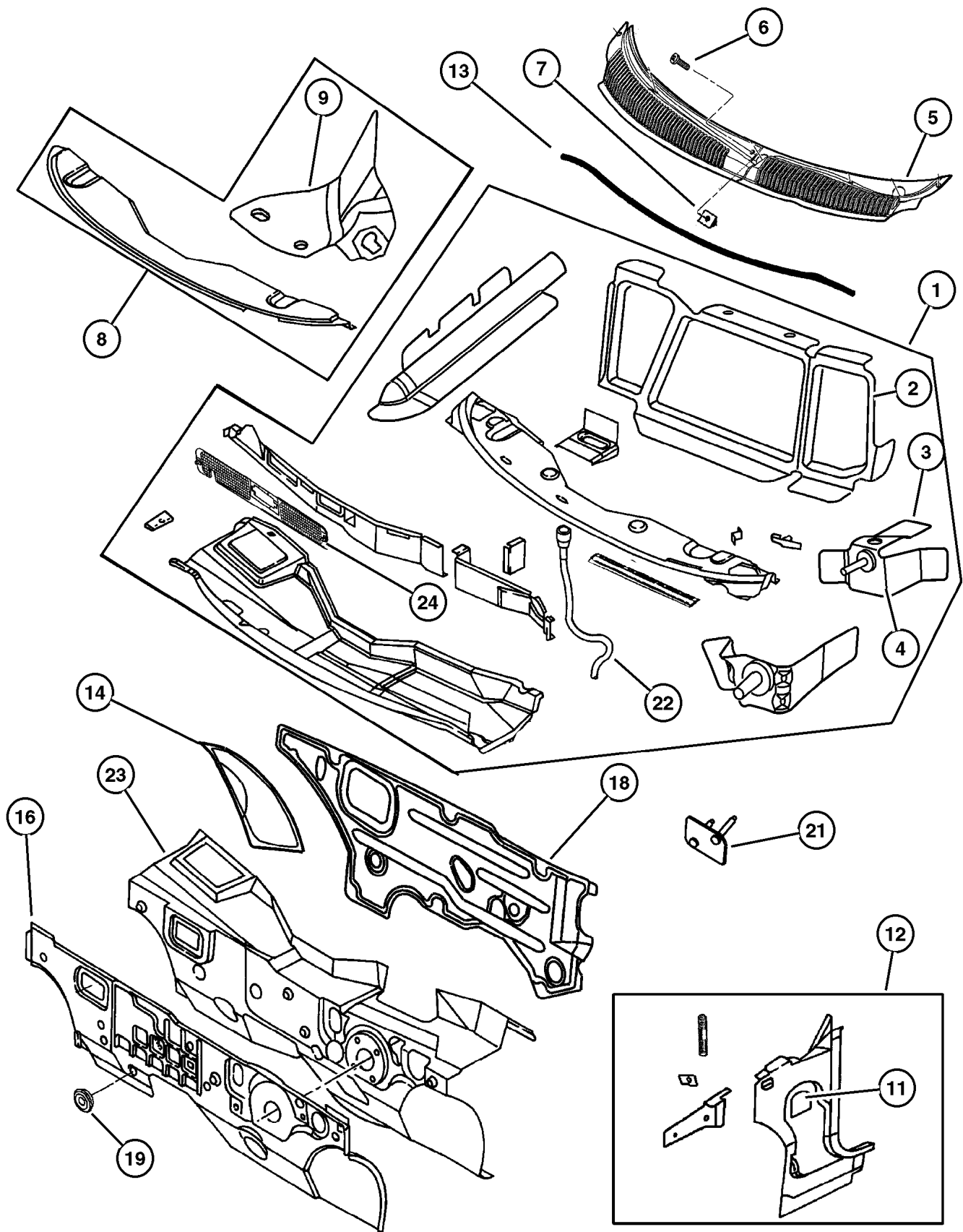
DODGE - CHRYSLER NEON (PL)

SERIES	LINE	BODY	ENGINE	TRANSMISSION
L=Low Line	Z= Chrysler, RHD	41 = 4 Door,	ECB = 2.0L 4 Cyl. , 16V SMPI	DD5 = 5 Speed Manual
H=High Line	D= Dodge	104WB	ECH = 2.0L 4 Cyl, 16V SOHC	DGL = 4 Speed Automatic
S = Special	C= Chrysler		EJD, EJO = 1.6L 4 Cyl 16v, SOHC	DG0 = All Automatics
P = Premium				DBB = All 5 Speed Manual
X = R/T				

AR = Use as required - = Non illustrated part # = New this model year

April 9, 2002

**Cowl and Dash Panel
Figure SPL-610**



ITEM	PART NUMBER	QTY	LINE	BODY	DESCRIPTION
1					PANEL, Plenum
	#5014 123AL	1			
	#5014 543AL	1	Z		
2					EXTENSION, Cowl Top, (NOT REQUIRED)
3	4783 770	1	Z		BRACKET, A/C to Cowl Plenum
4	4783 772	1	Z		BRACKET, Clutch Pedal
5					SCREEN, Cowl Top
	5008 272AD	1	Z		
	5008 271AD	1	C, D		
6	6036 163AA	5			SCREW, .19-16x1.00, Cowl Screen Attaching
7	4805 119AB	5			GROMMET, Cowl
8	5014 855AB	1			PANEL, Cowl Top
9					BRACKET, Wiper Motor
	5008 352AA	1	Z		Right
	5008 349AA	1	C, D		Left
-10	4278 178	2			TAPE, Hole Cover, 50x50x1 mm
11					PLUG, Cowl Side
	4888 550AB	1			Right
	4888 551AB	1			Left
12					PANEL, Cowl Side
	5014 672AD	1			Right
	5014 673AD	1			Left
13	4783 658	1			WEATHERSTRIP, Cowl Plenum to Hood
14					PANEL, Dash Panel Wheelhouse
	4888 886AA	1			Right
	4888 887AA	1			Left
-15					SILENCER, Plenum And Dash Panel
	4783 927AE	1	Z		
	5008 557AB	1	C, D		
16					PANEL, Dash
	#5066 344AB	1	C, D		
	5008 341AB	1	Z		
-17					PAD, Dash Panel
	4888 921AA	1	Z		Lower,Left
	4888 918AA	1	C, D		Lower,Right
	4888 919AA	1	C, D		Lower,Left
18					PANEL, Dash Upper
	4888 892AA	1	Z		
	4888 882AA	1	C, D		
19	5264 670	1	C, D		PLUG, Dash Panel
-20					STUD, Weld, M5x1.60x14
	6503 273	8			Cowl Pleum To Dash Panel

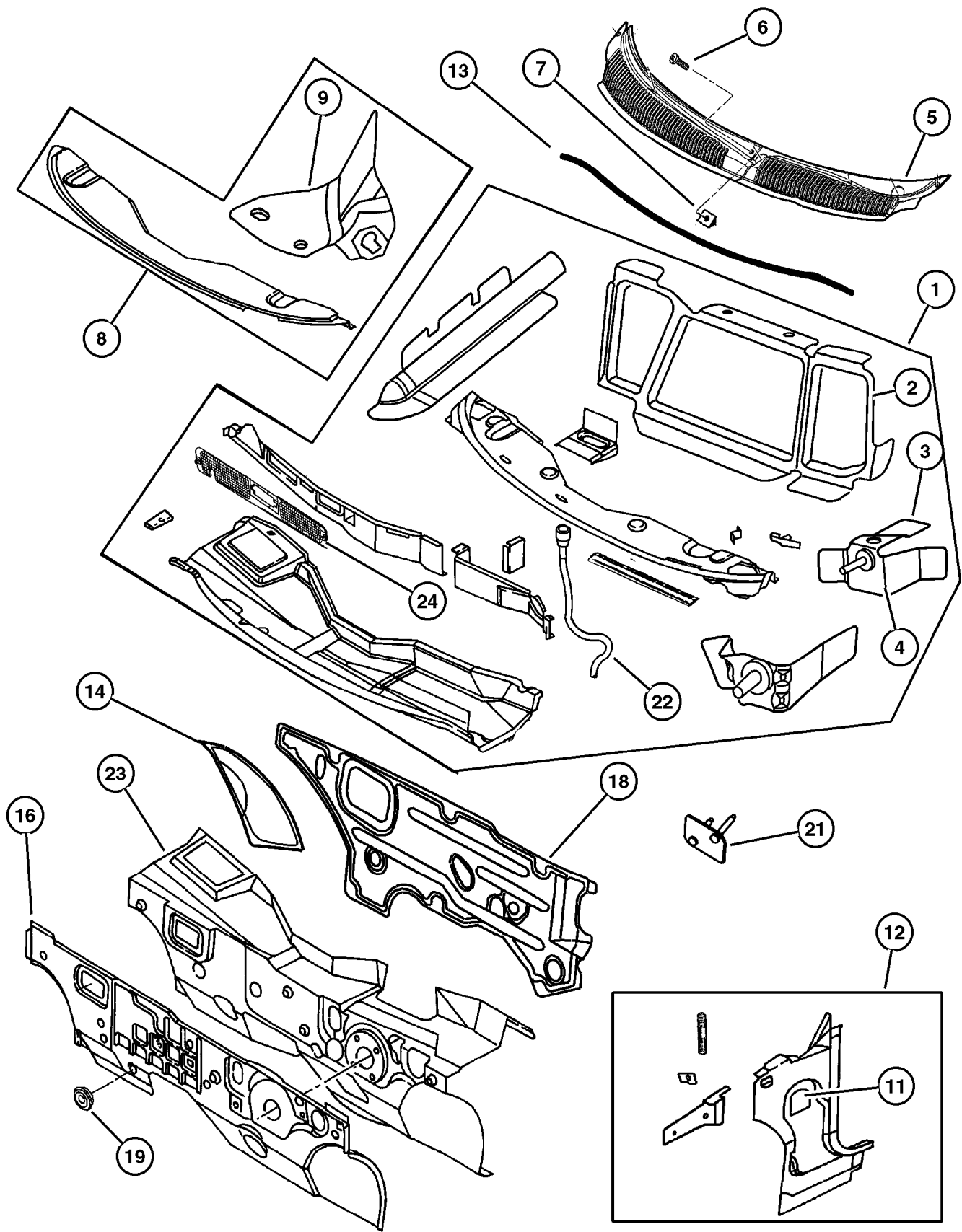
DODGE - CHRYSLER NEON (PL)

SERIES	LINE	BODY	ENGINE	TRANSMISSION
L=Low Line	Z= Chrysler, RHD	41 = 4 Door,	ECB = 2.0L 4 Cyl. , 16V SMPI	DD5 = 5 Speed Manual
H=High Line	D= Dodge	104WB	ECH = 2.0L 4 Cyl, 16V SOHC	DGL = 4 Speed Automatic
S = Special	C= Chrysler		EJD, EJO = 1.6L 4 Cyl 16v, SOHC	DG0 = All Automatics
P = Premium				DBB = All 5 Speed Manual
X = R/T				

AR = Use as required - = Non illustrated part # = New this model year

April 9, 2002

**Cowl and Dash Panel
Figure SPL-610**



ITEM	PART NUMBER	QTY	LINE	BODY	DESCRIPTION
		8			Fuel & Brake Line To Dash Panel
21	4888 812AA	1	C, D		PLATE, Accelerator Pedal Attach
22	5264 688	1			TUBE, Drain
23					SILENCER, Plenum And Dash Panel, (NOT SERVICED)
24					SCREEN, Cowl Plenum
	5291 554AA	1			Prevents Debris Into Hvac Blower Wheel, Right
	5291 555AA	1			Prevents Debris Into Hvac Blower Wheel, Left

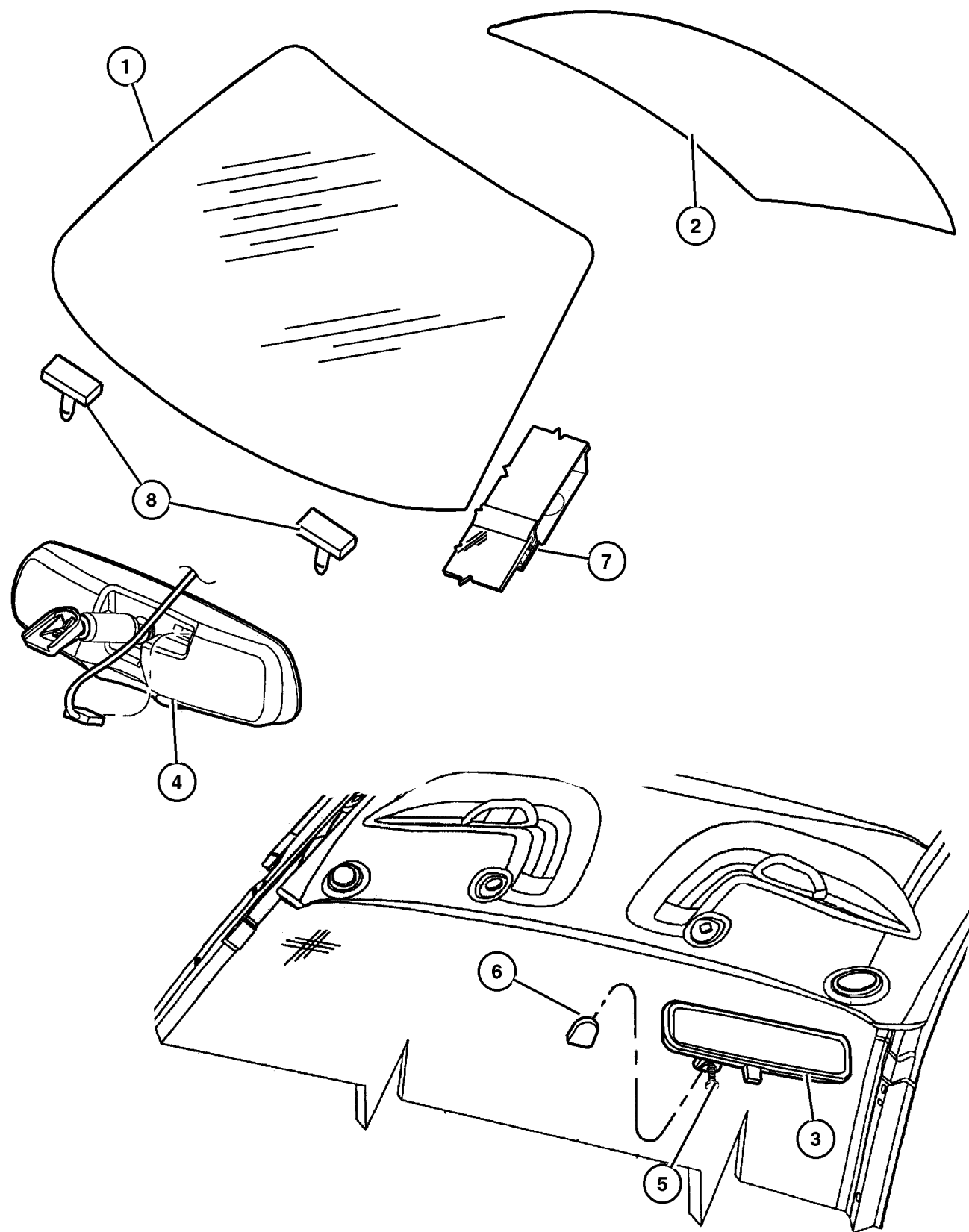
DODGE - CHRYSLER NEON (PL)

SERIES	LINE	BODY	ENGINE	TRANSMISSION
L=Low Line	Z= Chrysler, RHD	41 = 4 Door,	ECB = 2.0L 4 Cyl. , 16V SMPI	DD5 = 5 Speed Manual
H=High Line	D= Dodge	104WB	ECH = 2.0L 4 Cyl, 16V SOHC	DGL = 4 Speed Automatic
S = Special	C= Chrysler		EJD, EJO = 1.6L 4 Cyl 16v, SOHC	DG0 = All Automatics
P = Premium				DBB = All 5 Speed Manual
X = R/T				

AR = Use as required - = Non illustrated part # = New this model year

April 9, 2002

Windshield, Backlite and Mirror Figure SPL-710



ITEM	PART NUMBER	QTY	LINE	BODY	DESCRIPTION
NOTE: Sales Code n key.					
[GN7]=Reading Lamp, Compass and Temperature n key.					
1	4783 824AC	1			WINDSHIELD, Tinted
2	5008 049AI	1			BACKLITE, Electric Heated, Tinted
3					MIRROR, Inside Rear View
	4805 332AB	1			
	#5008 648AA	1			With [GN7]
4	5008 589AB	1			MIRROR, Inside Rear View, Lighted
5					SCREW, Pan Head Tapping, .19-16x.375, Serviced With Mirror (Inside) , (NOT REQUIRED)
6	5507 6401	1			BUTTON, Rear View Mirror
7					SPACER
	4278 662	9			Backlite
		5			Windshield
8					RETAINER, Windshield, (NOT REQUIRED)
-9	5014 559AD	1			WINDSHIELD, Shipping Assembly - 30 Lite Glass

DODGE - CHRYSLER NEON (PL)

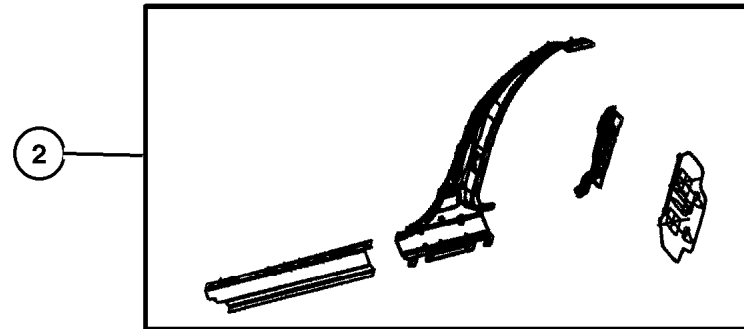
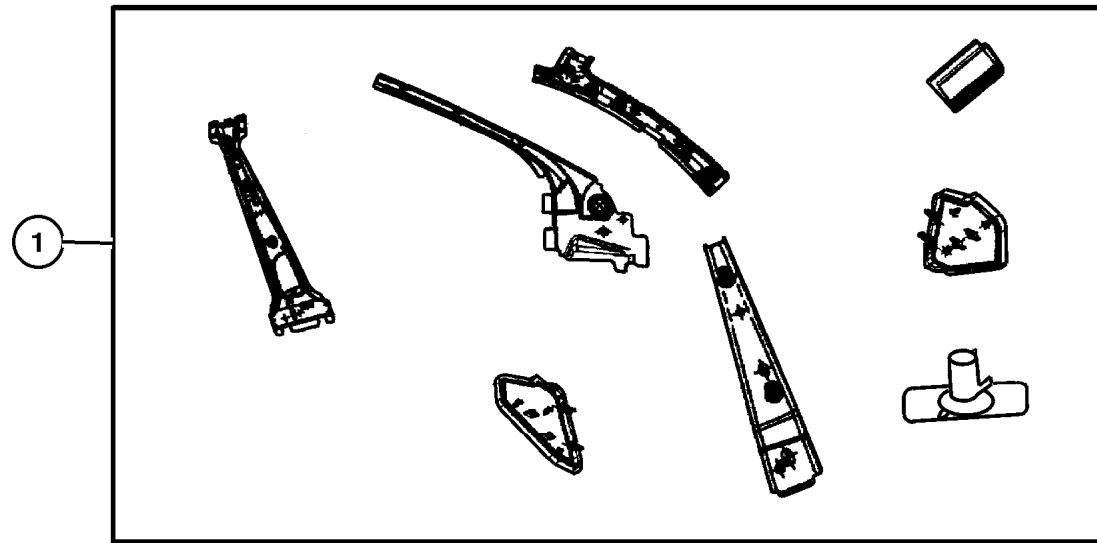
SERIES	LINE	BODY	ENGINE	TRANSMISSION
L=Low Line	Z= Chrysler, RHD	41 = 4 Door,	ECB = 2.0L 4 Cyl. , 16V SMPI	DD5 = 5 Speed Manual
H=High Line	D= Dodge	104WB	ECH = 2.0L 4 Cyl, 16V SOHC	DGL = 4 Speed Automatic
S = Special	C= Chrysler		EJD, EJO = 1.6L 4 Cyl 16v, SOHC	DG0 = All Automatics
P = Premium				DBB = All 5 Speed Manual
X = R/T				

AR = Use as required - = Non illustrated part # = New this model year

April 9, 2002

**Aperture Panels - Packages (4-Door)
Figure SPL-810**

ITEM	PART NUMBER	QTY	LINE	BODY	DESCRIPTION
1					PANEL, Body Side Aperture Inner
	5066 266AA	1			Right
	5066 267AA	1			Left
2					REINFORCEMENT, Body Side Aperture
	5066 268AA	1			Right
	5066 269AA	1			Left



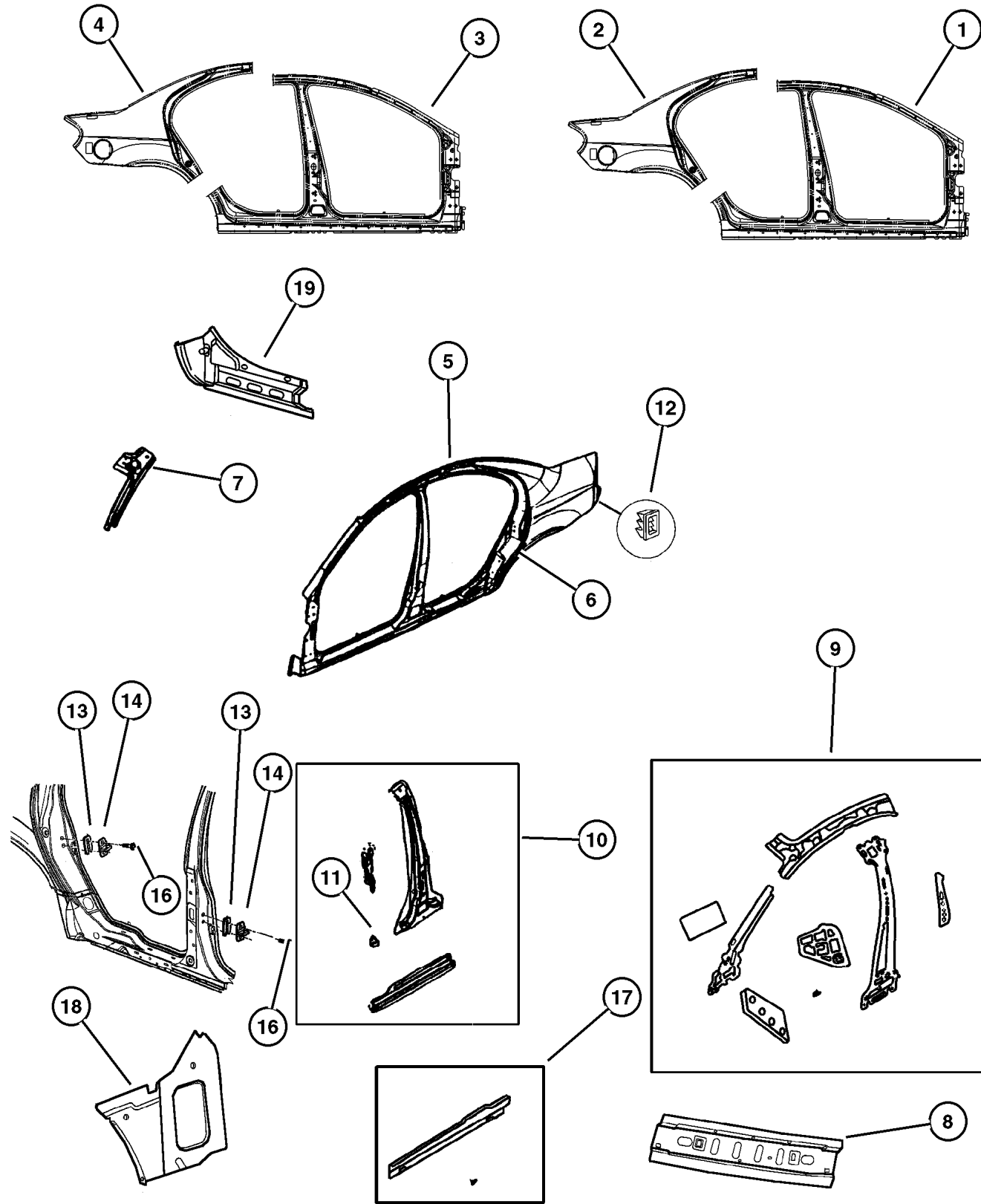
DODGE - CHRYSLER NEON (PL)

SERIES	LINE	BODY	ENGINE	TRANSMISSION
L=Low Line	Z= Chrysler, RHD	41 = 4 Door,	ECB = 2.0L 4 Cyl. , 16V SMPI	DD5 = 5 Speed Manual
H=High Line	D= Dodge	104WB	ECH = 2.0L 4 Cyl, 16V SOHC	DGL = 4 Speed Automatic
S = Special	C= Chrysler		EJD, EJO = 1.6L 4 Cyl 16v, SOHC	DG0 = All Automatics
P = Premium				DBB = All 5 Speed Manual
X = R/T				

AR = Use as required - = Non illustrated part # = New this model year

April 9, 2002

Aperture Panels - 4 Door
Figure SPL-820



ITEM	PART NUMBER	QTY	LINE	BODY	DESCRIPTION
1					PANEL PACKAGE, Body Side Aperture Front
	#5080 652AA	1			Right
	#5080 653AA	1			Left
2					PANEL PACKAGE, Body Side Aperture Rear
	#5080 654AA	1			Right
	#5080 655AA	1			Left
3					PANEL PACKAGE, Body Side Aperture Front, Skin Only
	#5080 652AA	1			Right
	#5080 653AA	1			Left
4					PANEL PACKAGE, Body Side Aperture Rear, Skin Only
	#5080 658AA	1			Right,Side
	#5080 659AA	1			Left,Side
5					PANEL ASSEMBLY, Body Side Aperture Complete,
					Complete Aperature
	#5080 660AA	1			Right
	#5080 661AA	1			Left
6					PANEL, Body Side Aperture
	#4783 082AC	1			Skin Only, Right
	#4783 083AC	1			Skin Only, Left
7					FRAME, Windshield Side
	4783 962	1			Right
	4783 963	1			Left
8	4783 984AC	1			FRAME, Windshield, Opening - Upper
9					PANEL, Body Side Aperture Inner
	5066 266AA	1			Right
	5066 267AA	1			Left
10					REINFORCEMENT, Body Side Aperture
	5066 268AA	1			Right
	5066 269AA	1			Left
11	4783 931	2			RETAINER, Door Striker
12	5264 595AE	1			EXHAUSTER, A/C Air, Interior Trim Panel
13					SPACER, Door Latch Striker, (NOT REQUIRED)
14	4780 259	2			STRIKER, Door, Front and Rear
-15	4674 669	2			PLATE, Liftgate Striker, Body Front and Rear Door Striker
16	6506 749AA	4			SCREW, 6 Lobed, Door Latch Striker Attaching
17					SILL, Body Side
	5066 464AA	1			Right
	5066 465AA	1			Left
18					EXTENSION, Body Side Aperture
	4888 560AC	1			Right
	4888 561AC	1			Left
19					REINFORCEMENT, Body Side Aperture

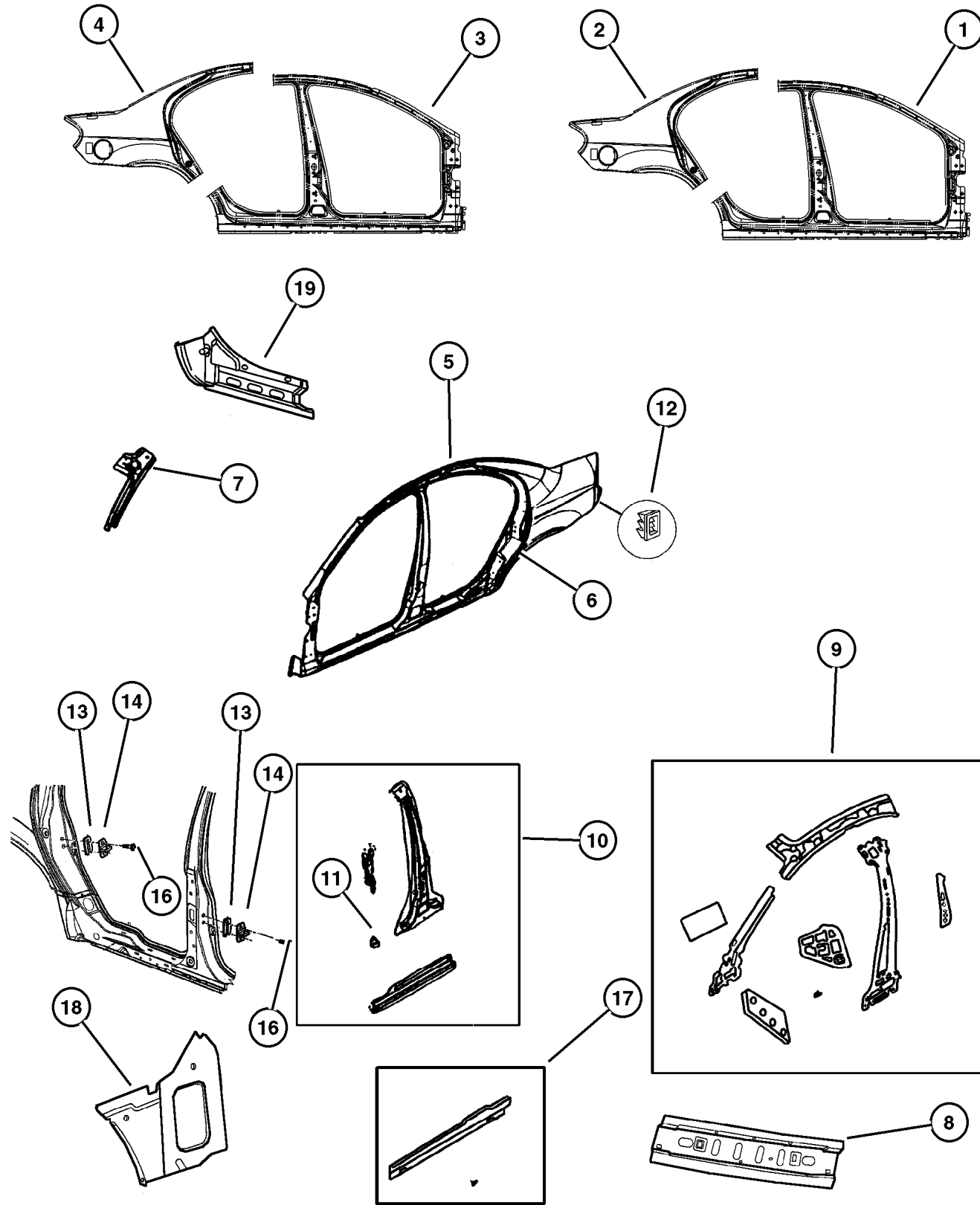
DODGE - CHRYSLER NEON (PL)

SERIES	LINE	BODY	ENGINE	TRANSMISSION
L=Low Line	Z= Chrysler, RHD	41 = 4 Door,	ECB = 2.0L 4 Cyl. , 16V SMPI	DD5 = 5 Speed Manual
H=High Line	D= Dodge	104WB	ECH = 2.0L 4 Cyl, 16V SOHC	DGL = 4 Speed Automatic
S = Special	C= Chrysler		EJD, EJO = 1.6L 4 Cyl 16v, SOHC	DG0 = All Automatics
P = Premium				DBB = All 5 Speed Manual
X = R/T				

AR = Use as required - = Non illustrated part # = New this model year

April 9, 2002

Aperture Panels - 4 Door
Figure SPL-820



ITEM	PART NUMBER	QTY	LINE	BODY	DESCRIPTION
	4888 934AD	1			Rear Jack, Right,Left
	4888 935AD	1			Rear Jack

DODGE - CHRYSLER NEON (PL)

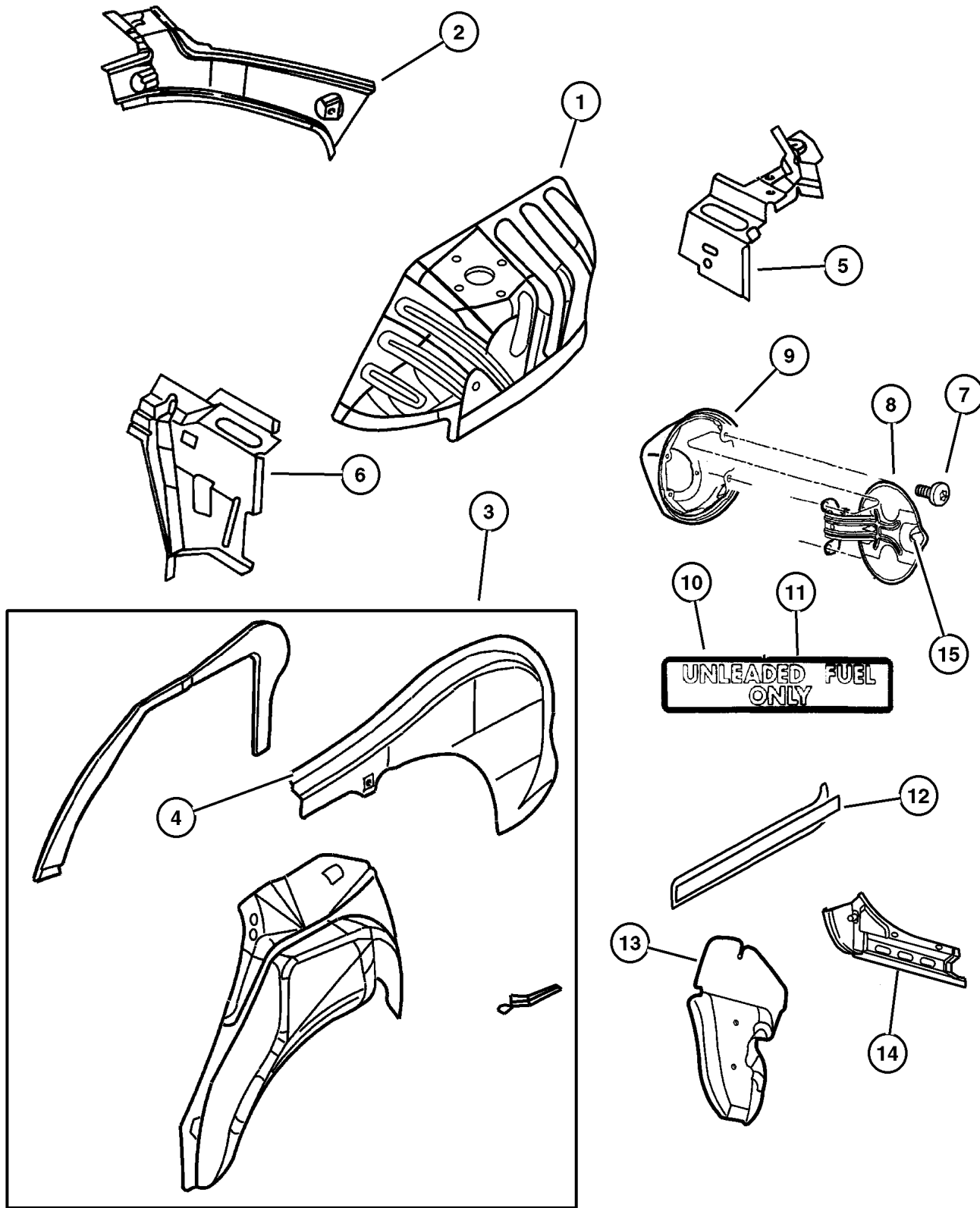
SERIES	LINE	BODY	ENGINE	TRANSMISSION
L=Low Line	Z= Chrysler, RHD	41 = 4 Door,	ECB = 2.0L 4 Cyl. , 16V SMPI	DD5 = 5 Speed Manual
H=High Line	D= Dodge	104WB	ECH = 2.0L 4 Cyl, 16V SOHC	DGL = 4 Speed Automatic
S = Special	C= Chrysler		EJD, EJ0 = 1.6L 4 Cyl 16v, SOHC	DG0 = All Automatics
P = Premium				DBB = All 5 Speed Manual
X = R/T				

AR = Use as required - = Non illustrated part # = New this model year

April 9, 2002

Quarter Panel
Figure SPL-910

ITEM	PART NUMBER	QTY	LINE	BODY	DESCRIPTION
Note: Quarter Panel Outer Is Part Of The Aperature - See ILL. 810 n key.					
1	#5014 440AD	1			PANEL, Rear Wheelhouse Right
	#5014 441AD	1			Left
2	4783 980AD	1			PANEL, Quarter Inner Right
	4783 981AD	1			Left
3	5014 734AE	1			PANEL, Quarter Inner Right
	5014 735AE	1			Left
4	5008 096AB	1			EXTENSION, Quarter Inner Lower Right
	5008 097AB	1			Left
5	4783 852AD	1			EXTENSION, Shelf Panel Right
	4783 853AD	1			Left
6	4783 322AC	1			SUPPORT, Rear Shelf Panel Right
	4783 323AC	1			Left
7	6503 318	2			SCREW, Pan Head Tapping, M6x1x11, Fuel Filler Door Attaching
8	4888 942AA	1			DOOR, Fuel Fill
9	4783 925	1			HOUSING, Fuel Filler
10	4696 849	1			LABEL, Unleaded Fuel Only Canada, (French)
	55137 352AA	1			Australia Equipment Group
11	4853 321AA	1			LABEL, Fuel, Spanish
12	4278 178	2			TAPE, Hole Cover, 50x50x1 mm, Quarter,Inner,Lower
13	5008 070AC	1			SHIELD, Wheelhouse Right,Rear
	5008 071AC	1			Left,Rear
14	4888 934AD	1			REINFORCEMENT, Body Side Aperture Rear Jack, Right
	4888 935AD	1			Rear Jack, Left
15	5256 863	2			BUMPER, Fuel Door



DODGE - CHRYSLER NEON (PL)

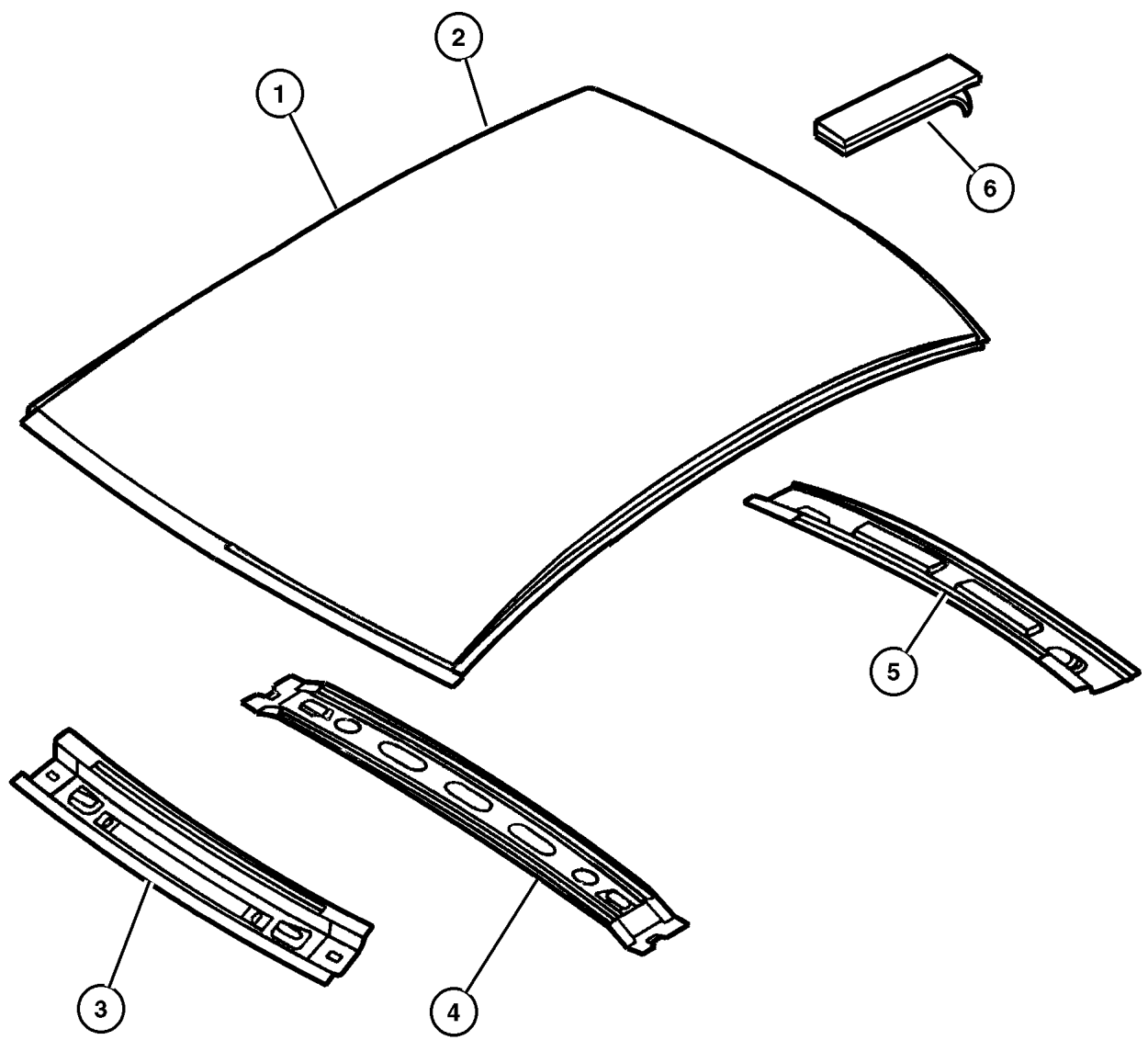
SERIES	LINE	BODY	ENGINE	TRANSMISSION
L=Low Line	Z= Chrysler, RHD	41 = 4 Door,	ECB = 2.0L 4 Cyl. , 16V SMPI	DD5 = 5 Speed Manual
H=High Line	D= Dodge	104WB	ECH = 2.0L 4 Cyl, 16V SOHC	DGL = 4 Speed Automatic
S = Special	C= Chrysler		EJD, EJO = 1.6L 4 Cyl 16v, SOHC	DG0 = All Automatics
P = Premium				DBB = All 5 Speed Manual
X = R/T				

AR = Use as required - = Non illustrated part # = New this model year

April 9, 2002

Roof Panel
Figure SPL-1110

ITEM	PART NUMBER	QTY	LINE	BODY	DESCRIPTION
1	5008 588AB	1			ROOF
2	5008 567AD	1			PANEL AND REINFORCEMENT, Sunroof
3	4783 984AC	1			FRAME, Windshield
4	4888 615AB	1			BOW, Roof
5	4783 855	1			FRAME, Rear Window
6	4278 178	2			TAPE, Hole Cover, 50x50x1 mm



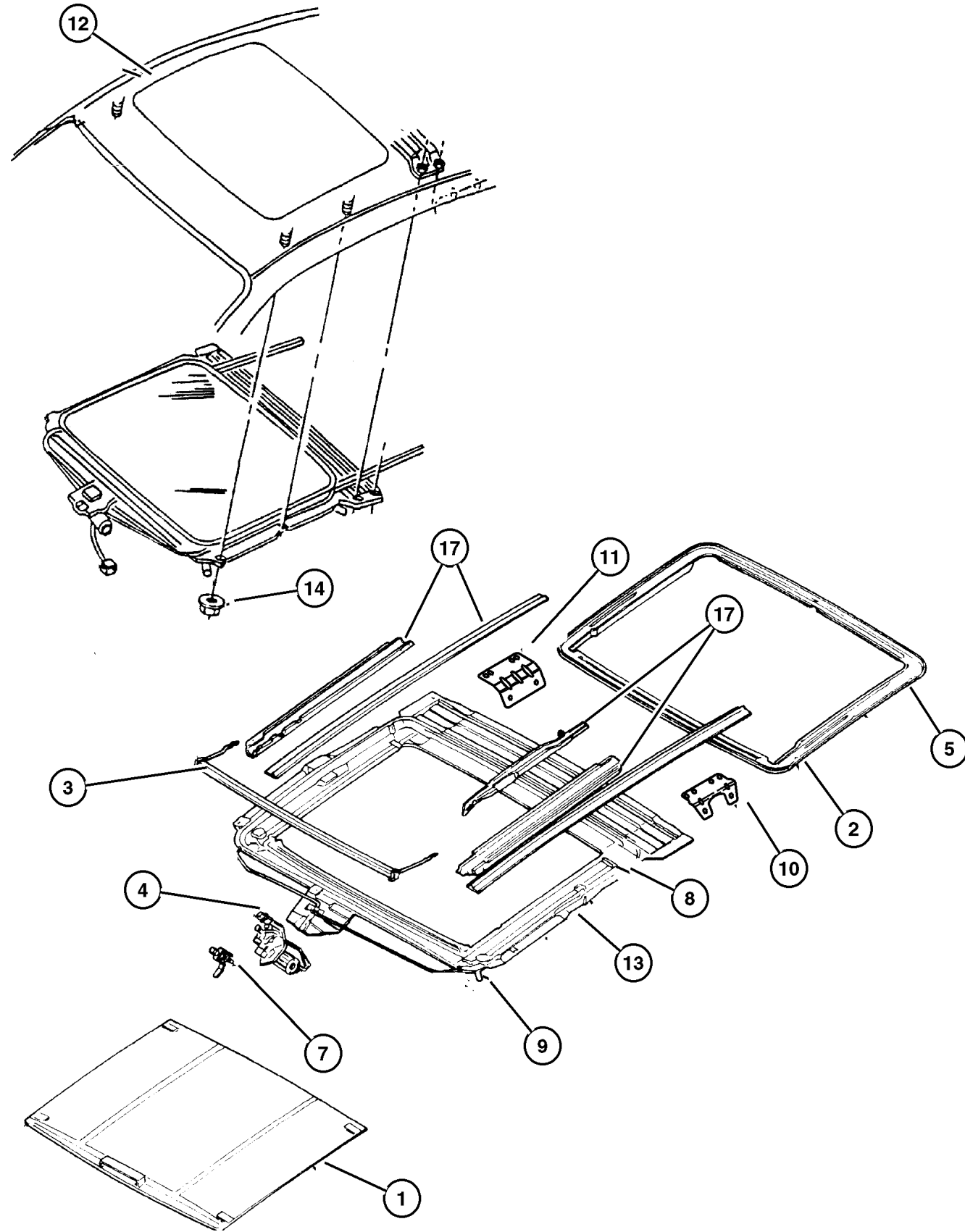
DODGE - CHRYSLER NEON (PL)				
SERIES	LINE	BODY	ENGINE	TRANSMISSION
L=Low Line	Z= Chrysler, RHD	41 = 4 Door,	ECB = 2.0L 4 Cyl. , 16V SMPI	DD5 = 5 Speed Manual
H=High Line	D= Dodge	104WB	ECH = 2.0L 4 Cyl, 16V SOHC	DGL = 4 Speed Automatic
S = Special	C= Chrysler		EJD, EJO = 1.6L 4 Cyl 16v, SOHC	DG0 = All Automatics
P = Premium				DBB = All 5 Speed Manual
X = R/T				

AR = Use as required - = Non illustrated part # = New this model year

April 9, 2002

Sunroof
Figure SPL-1210

ITEM	PART NUMBER	QTY	LINE	BODY	DESCRIPTION
1	5008 583AA	1			SUNSHADE, Sunroof
2	RZ79 TL2AA	1			WELT, Sunroof Opening, Taupe
3	5008 347AC	1			DEFLECTOR, Sunroof Wind
4	5008 582AB	1			MOTOR, Sunroof
5	5008 605AD	1			GLASS, Sunroof
-6	5008 322AA	4			GROMMET
7					LOCATOR, Sunroof Drive Cable, Drive Tube (Serviced With Item13), (NOT SERVICED)
8	5008 320AA	1			HOSE, Sunroof Drain, Front
9	5008 063AB	2			HOSE, Sunroof Drain, Rear
10					BRACKET, Sunroof Module to Roof Rail Rear, (NOT SERVICED)
11					BRACKET, Sunroof Module to Quarter Inner, (NOT SERVICED)
12					PANEL AND REINFORCEMENT, Sunroof, (NOT SERVICED)
13	5015 542AD	1			MODULE, Sunroof
14	6101 712	6			NUT, U, M6x1
-15	5008 606AA	1			CONTROL UNIT, Sunroof
-16	4681 344AB	1			SILENCER, Roof, Sun Roof Module
17					SUNROOF, Complete, (NOT SERVICED)



DODGE - CHRYSLER NEON (PL)

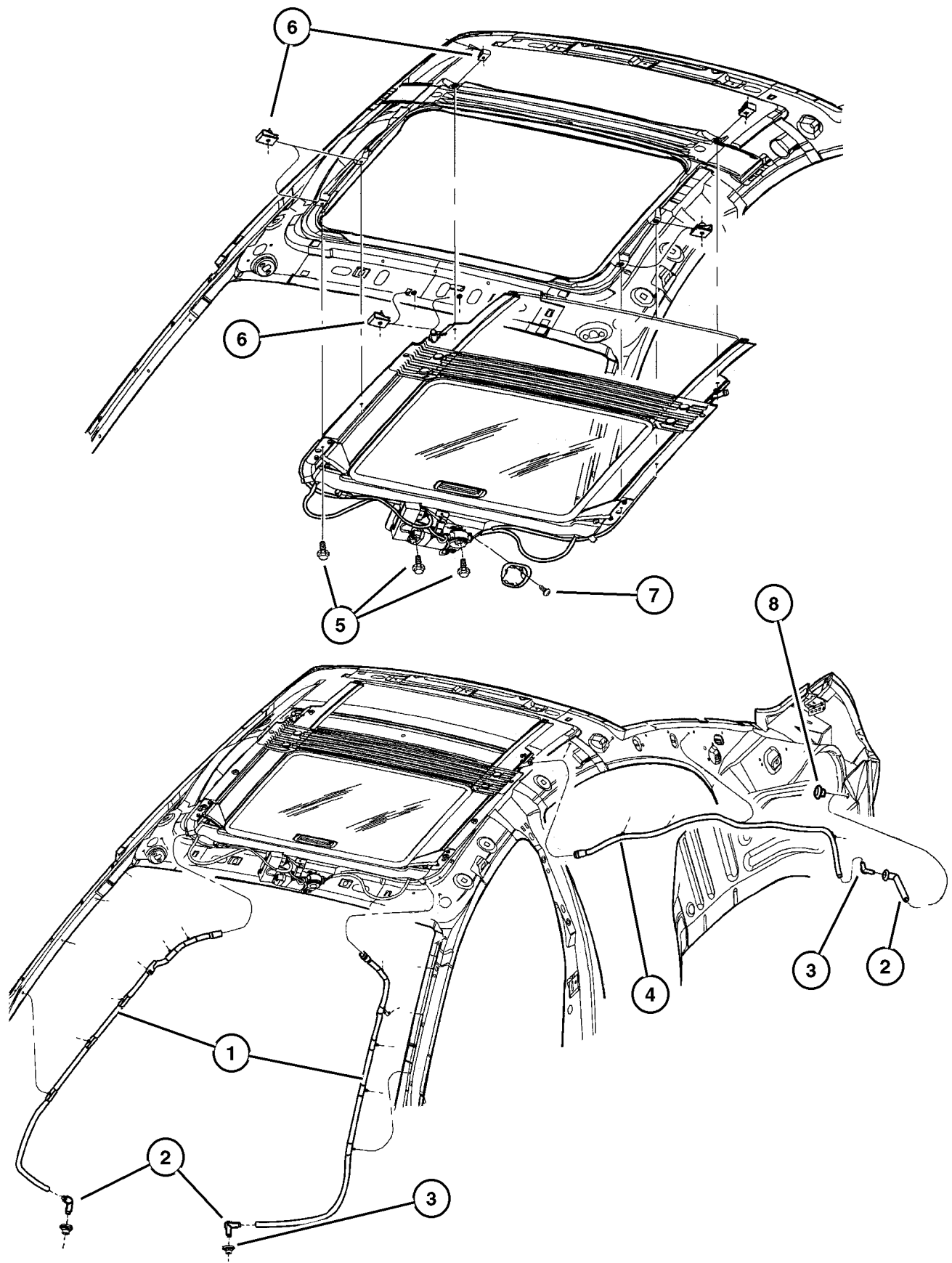
SERIES	LINE	BODY	ENGINE	TRANSMISSION
L=Low Line	Z= Chrysler, RHD	41 = 4 Door,	ECB = 2.0L 4 Cyl. , 16V SMPI	DD5 = 5 Speed Manual
H=High Line	D= Dodge	104WB	ECH = 2.0L 4 Cyl, 16V SOHC	DGL = 4 Speed Automatic
S = Special	C= Chrysler		EJD, EJ0 = 1.6L 4 Cyl 16v, SOHC	DG0 = All Automatics
P = Premium				DBB = All 5 Speed Manual
X = R/T				

AR = Use as required - = Non illustrated part # = New this model year

April 9, 2002

Sunroof - Attaching Parts Figure SPL-1215

ITEM	PART NUMBER	QTY	LINE	BODY	DESCRIPTION
1	5008 320AA	1			HOSE, Sunroof Drain, Right & Left,Front
2	5008 323AA	2			ELBOW, Hose Coupler, Drain Hose
3	5008 322AA	4			GROMMET, Drain Hose
4	5008 063AB	2			HOSE, Sunroof Drain, Rear
5	6101 719	8			SCREW AND WASHER, Tapping, M6-1.0x20.0, Modul To Reinforcement
6	6101 712	6			NUT, U, M6x1, Modul To Reinforcement
7					SCREW, M4.2x1.70x15.00, (NOT SERVICED)
8	4674 441	2			PLUG, Body, .75 Diameter



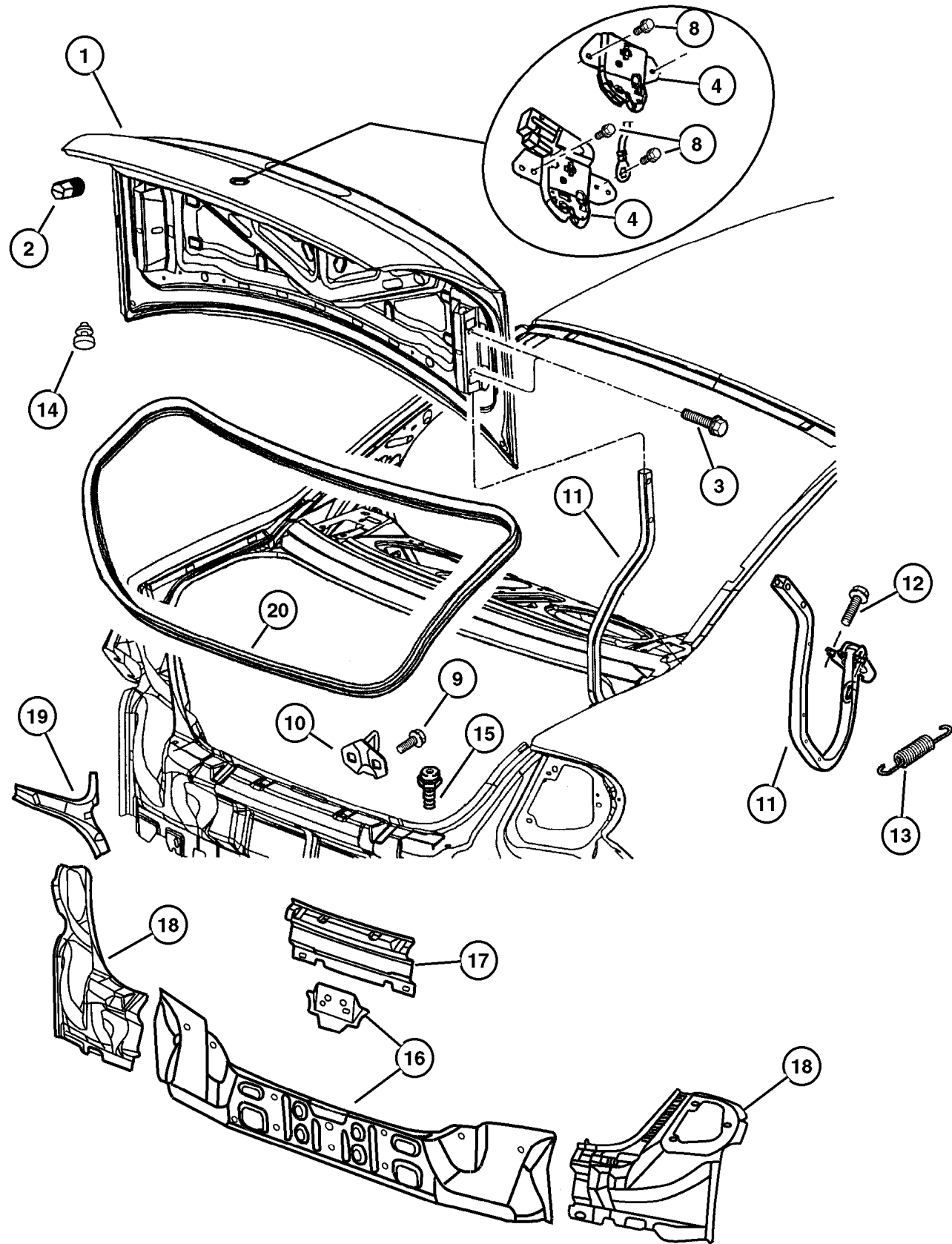
DODGE - CHRYSLER NEON (PL)

SERIES	LINE	BODY	ENGINE	TRANSMISSION
L=Low Line	Z= Chrysler, RHD	41 = 4 Door,	ECB = 2.0L 4 Cyl. , 16V SMPI	DD5 = 5 Speed Manual
H=High Line	D= Dodge	104WB	ECH = 2.0L 4 Cyl, 16V SOHC	DGL = 4 Speed Automatic
S = Special	C= Chrysler		EJD, EJ0 = 1.6L 4 Cyl 16v, SOHC	DG0 = All Automatics
P = Premium				DBB = All 5 Speed Manual
X = R/T				

AR = Use as required - = Non illustrated part # = New this model year

April 9, 2002

Deck Lid
Figure SPL-1310



ITEM	PART NUMBER	QTY	LINE	BODY	DESCRIPTION
1	#5012 455AI	1			DECKLID
2	5008 374AB	2			BUMPER, Deck Lid Overslam
3	6102 151AA	4			SCREW, Hex Head, M6 x 1.00 x 40.00
4	5008 632AC	1			LATCH, Decklid Power
	5008 640AC	1			With Switch
-5	5080 847AA	1			HANDLE, Glow In The Dark Emergency Release
-6	6503 794	1			CLIP, M6.3x11.2, Emergency Deck/Lid Latch
-7	6506 926AA	1			FASTENER, Velcro Hook, Emergency Deck/Lid Latch
8	6102 132AA	6			SCREW, Hex Head, M6x1x20
9	6502 925	2			SCREW AND WASHER, Hex Head, M6x1x21
10	5008 113AA	1			STRIKER, Decklid Latch
11	4783 900AB	1			Right
	4783 901AB	1			Left
12	6101 718	2			SCREW AND WASHER, Oval Head, M6x1x25
13	5008 281AA	2			SPRING, Deck Lid Hinge
14	4783 903AB	2			BUMPER, Upstop
15	4103 165	2			BUMPER, Hood, Deck Lid
16	5014 462AA	1			REINFORCEMENT, Deck Opening Panel
17	4783 471	1			PANEL, Deck Lower Rear Closure
18	4783 476AB	1			PANEL, Decklid Opening Right
	4783 477AB	1			Left
19	4783 478	1			REINFORCEMENT, Decklid Opening Right
	4783 479	1			Left
20	4783 623AD	1			WEATHERSTRIP, Deck Lid

DODGE - CHRYSLER NEON (PL)

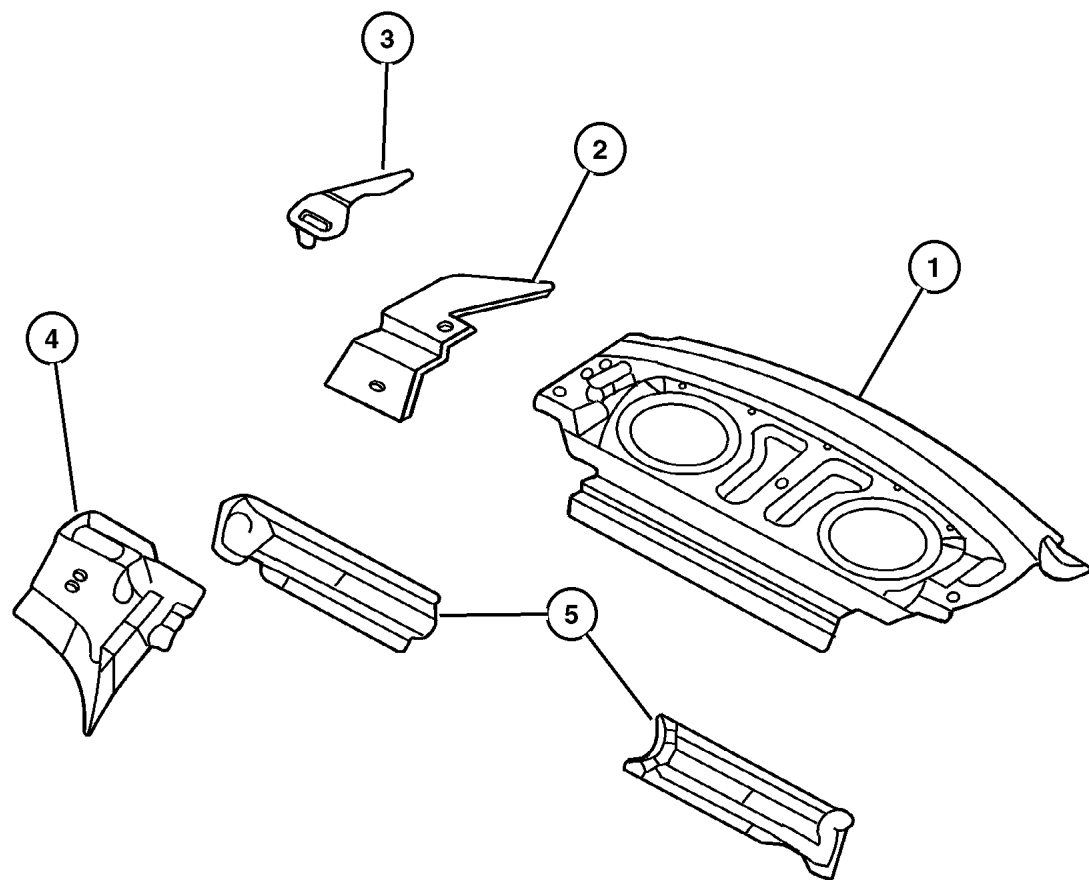
SERIES	LINE	BODY	ENGINE	TRANSMISSION
L=Low Line	Z= Chrysler, RHD	41 = 4 Door,	ECB = 2.0L 4 Cyl. , 16V SMPI	DD5 = 5 Speed Manual
H=High Line	D= Dodge	104WB	ECH = 2.0L 4 Cyl, 16V SOHC	DGL = 4 Speed Automatic
S = Special	C= Chrysler		EJD, EJO = 1.6L 4 Cyl 16v, SOHC	DG0 = All Automatics
P = Premium				DBB = All 5 Speed Manual
X = R/T				

AR = Use as required - = Non illustrated part # = New this model year

April 9, 2002

**Rear Shelf Panel
Figure SPL-1410**

ITEM	PART NUMBER	QTY	LINE	BODY	DESCRIPTION
1	4783 360AE	1			PANEL, Shelf
2	4783 852AD	1			EXTENSION, Shelf Panel Right
	4783 853AD	1			Left
3					REINFORCEMENT, Shelf Panel Rear
	4783 848AD	1			Shoulder Belt Anchor, Right
	4783 849AD	1			Shoulder Belt Anchor, Left
4	4783 322AC	1			SUPPORT, Rear Shelf Panel To Wheelhouse, Right
	4783 323AC	1			To Wheelhouse, Left
5	5008 487AA	1			



DODGE - CHRYSLER NEON (PL)				
SERIES	LINE	BODY	ENGINE	TRANSMISSION
L=Low Line	Z= Chrysler, RHD	41 = 4 Door,	ECB = 2.0L 4 Cyl. , 16V SMPI	DD5 = 5 Speed Manual
H=High Line	D= Dodge	104WB	ECH = 2.0L 4 Cyl, 16V SOHC	DGL = 4 Speed Automatic
S = Special	C= Chrysler		EJD, EJ0 = 1.6L 4 Cyl 16v, SOHC	DG0 = All Automatics
P = Premium				DBB = All 5 Speed Manual
X = R/T				

AR = Use as required - = Non illustrated part # = New this model year

April 9, 2002