

2001 DODGE-CHRYSLER NEON (PL)

PARTS CATALOG

ILLUSTRATION AND TEXT
(CHASSIS - BODY - TRIM)

May 2002

SUPERSEDES
April 2002
ENGLISH



Jeep

CHRYSLER • PLYMOUTH • DODGE • JEEP

THE MOPAR DIFFERENCE

INDEX TO INFORMATION PAGES

The use of this Parts Catalog and the arrangement of information herein is explained in the General Information Section as indexed below.

Abbreviations	INF-13
Alphabetic Index	INF-10
Body Code Plate Interpretation	INF-12
Catalog Groups - Titles & Contents	INF-2
How to Use This Catalog and Locate Parts	INF-8
Illustration Index	INF-10
Illustration Numbering Index	INF-9
Index.....	INF-1
Logical Illustration Index.....	INF-3
Logical Illustrations	INF-9
Numerical Index	INF-10
Page Numbering.....	INF-9
Part Packages	INF-10
Standard Parts.....	INF-10
Symbols Used in this Catalog.....	INF-9
VIN Plate Decoding Information	INF-11

CATALOG GROUPS - TITLES & CONTENT

Group	Content
001	Component Parts for Mopar Accessories
002	Front Suspension & Drive
004	Parking Brake
005	Service Brakes
006	Clutch
007	Cooling
008	Electrical
009	Engine Mounting
011	Exhaust
013	Frames and Bumpers
014	Fuel
017	Rear Suspension
019	Steering
022	Wheels, Covers and Jacks
024	Air Conditioning & Heater
025	Emission Systems
08A	Instrument Panel and Radios and Consoles
1.6L	Engine 1.6L Four Cylinder
2.0L	Engine 2.0L Four Cylinder
21P	Speedometer Pinions
23D	Wiper/Lock Cylinder and Keys
31TH	Automatic Transaxle 3 Speed
41TE-AE	Automatic Transaxle 4 Speed
A578	Manual Transaxle 5 Speed
DPL	Doors and Related Parts
EPL	Exterior Ornamentation
IPL	Interior Trim
SPL	Body Sheet Metal Except Doors

LOGICAL ILLUSTRATION INDEX

Group	Logical Illustration	Logical Illustration Name
001	100	Audio & Electronics
001	200	Carriers & Cargo Hauling
001	300	Driving Convenience
001	600	Fog Lights & Electrical
001	900	Security
002	100	Front Suspension & Strut
002	200	Front Axle Drive Shafts
004	100	Parking Brake Lever and Cables
005	100	Front Brakes
005	200	Rear Brakes
005	300	Power Brake Booster
005	400	Brake Master Cylinder
005	500	Brake Lines and Hoses
005	600	Brake Pedals
006	100	Clutch
006	200	Clutch Housing
006	300	Clutch Controls
006	400	Clutch Pedals
007	100	Radiator and Related Parts
007	200	Water Pump and Related Parts
007	300	Tank, Coolant Engine
007	400	Pulleys and Related Parts
007	500	Drive Belts
007	600	Lines, Transmission Oil Cooler
007	700	Grilles
008	100	Starters
008	1000	Battery Tray and Cables
008	1100	Lamps - Front, Rear and Courtesy
008	1200	Wiring-Engine & Related Parts
008	1300	Wiring-Headlamp to Dash
008	1400	Wiring-Instrument Panel
008	1500	Wiring-Body & Accessories
008	1600	Wiring Repair

008	1900	Spark Plugs-Cables-Coils
008	200	Alternators
008	400	Modules
008	500	Relays
008	600	Sensors
008	700	Single Board Engine Controllers
008	800	Switches
008	900	Horns
009	100	Engine Mounting
011	100	Exhaust System
011	200	Heat Shields
013	100	Frames
013	200	Front Bumper and Fascia
013	300	Rear Bumper and Fascia
014	100	Tank, Fuel
014	1000	Speed Control
014	1100	Accelerator Pedal
014	200	Fuel Tank Filler Tube
014	300	Fuel Lines
014	400	Fuel Rail
014	500	Fuel Pump and Sending Unit
014	600	Throttle Body
014	700	Throttle Controls
014	800	Air Cleaner
014	900	Air Intake System
017	100	Rear Suspension
019	100	Steering Wheel
019	200	Steering Column
019	300	Steering Gear
019	400	Steering Linkage
019	500	Power Steering Pump
019	700	Power Steering Hoses
022	100	Wheels and Hardware
022	200	Wheel Covers and Center Caps
022	300	Jack Stowage
024	100	Air Conditioner and Heater Units

024	200	Air Conditioner and Heater Plumbing
024	300	Air Conditioner and Heater Controls
024	400	Air Conditioning Compressor
024	500	Air Conditioning Compressor Mounting
024	600	Air Ducts and Outlets
025	100	Emission Labels
025	300	Vacuum Canister
025	400	Emission Harness
08A	100	Instrument Panel
08A	200	Instrument Panel Cluster
08A	300	Radio, Antenna, and Speakers
08A	400	Consoles
1.6L	100	Engine Identification
1.6L	200	Cylinder Head
1.6L	300	Cylinder Block
1.6L	400	Crankshaft, Piston and Drive Plate
1.6L	500	Camshafts & Valve
1.6L	600	Timing Belt/Chain and Cover
1.6L	700	Engine Oiling
1.6L	800	Manifolds
1.6L	900	Crankcase Ventilation
2.0L	100	Engine Identification
2.0L	200	Cylinder Head
2.0L	300	Cylinder Block
2.0L	400	Crankshaft, Piston, and Drive Plate
2.0L	500	Camshafts & Valves
2.0L	600	Timing Belt and Cover
2.0L	700	Engine Oiling
2.0L	800	Manifolds
2.0L	900	Crankcase Ventilation
21P	100	Speedometer Pinions
23D	100	Lock Cylinders and Keys
23D	200	Windshield Wiper and Washer Systems
31TH	100	Transaxle Assembly
31TH	1200	Gearshift Controls
31TH	200	Case and Extension

31TH	300	Oil Pump
31TH	400	Gear Train
31TH	500	Bands, Reverse and Kickdown
31TH	600	Governor
31TH	700	Valve Body
31TH	800	Differential
41TE-AE	100	Transaxle Assembly
41TE-AE	1200	Gearshift Controls
41TE-AE	200	Case and Extension
41TE-AE	300	Oil Pump
41TE-AE	400	Gear Train
41TE-AE	700	Valve Body
41TE-AE	800	Differential
A578	100	Transaxle Assembly
A578	1200	Gearshift Controls
A578	200	Case and Extension
A578	400	Gear Train
A578	800	Differential
A578	900	Fork and Rails
DPL	100	Front Door
DPL	200	Rear Door
DPL	500	Exterior Mirror
DPL	600	Weatherstrips and Seals
EPL	100	Nameplates
EPL	200	Moldings and Ornamentation
IPL	100	Headliner and Visor
IPL	200	Panel, Moldings, Scuff Plates
IPL	300	Carpet
IPL	400	Door Trim Panels
IPL	500	Front Seats and Attaching Parts
IPL	600	Rear Seats-Folding
IPL	700	Seat Belts-Front and Rear
IPL	800	Adjusters, Covers, Shields, and Risers
SPL	1100	Roof Panels
SPL	1200	Sunroof
SPL	1300	Deck Lid

SPL	1400	Rear Shelf Panel
SPL	200	Floor Pans
SPL	300	Plugs
SPL	400	Front Fenders
SPL	500	Hood and Hood Release
SPL	600	Cowl and Dash Panel
SPL	700	Glass and Mirror
SPL	800	Aperture Panel
SPL	900	Quarter Panel

HOW TO USE THIS CATALOG AND LOCATE PARTS

This Catalog is divided into Part Groups in which illustrations for parts of a similar function and/or location are published. The Group contents listing on the next page shows the type of parts contained in each group. Tabs are provided or available to separate each group.

Several methods may be used to locate a specific part:

- Option 1: From the Group Contents listing. Select the group which would most logically contain the part to be found. Open the catalog to the beginning of that group. The first page of the group will contain the part. Turn to the selected illustration and locate the part by reviewing the illustration item numbers and associated text information following the illustration.
- Option 2: If the "noun" name of the part you seek is known, an alphabetical index of Nouns and illustration titles is provided to assist in finding the part. Several keys may be found in this index.

RESERVOIR, Power Steering Oil Pump Group 19	Group Reference
ALTERNATOR All Engines 8-210	Illustration Reference
BELT, Front Seat Imdl/710/3	Illustration/Item Reference

Group by Model _____	}
Illustration Number _____	
Item _____	

- Option 3: If the part number is known but the applications need to be determined, refer to the numerical index. This index shows the group, illustration number and each part listed in the catalog. Multiple references mean the part is listed more than once.
- Option 4: Other options such as group identifiers exist in these catalogs. For Example, Group 23 Body has been broken in sections, i.e. 23A Sheet Metal now is S(model code). Example: SGS for model GS. Group 23C Doors now is D(model code) ex. DGS. Group 23 Exterior Ornamentation now is E(model code). This same logic applies to the Interior Trim Section (ex. IGS).

The Group 9 Engine sections in prior parts catalogs had been numbered 9A, 9B, 9C, etc. There was no real meaning to this numbering scheme. In this new MACS produced catalog the group numbering scheme is as follows: 2.5LD means 2.5 Liter Diesel Engine; 2.0L means 2.0 Liter Four Cylinder Gas Engine; 3.3L6T means 3.3 Liter Six Cylinder Transverse Mounted Engine; and 3.8L means 3.8 Liter Six Cylinder Engine. Also note that Engine Mounting parts are located in Group 9.

PAGE NUMBERING

Two-part page numbers are used throughout this catalog. The first part of the page designation indicates one major group or section. The second part indicates the actual page number in the group. For example:

2-1 indicates Group 2, Front Suspension, Page 1
 3-4 indicates Group 3, Axle Rear, Page 4

In the maintenance of the Loose Leaf Parts Catalog Revision Service, it may become necessary to add information beyond the capacity of the page. In this event, an "A" page will be used. For example, if it becomes necessary, because of change, to add several part numbers to page 2-1 and space does not permit the addition, you will be given Page 2-1A. Page 2-1A should be filed immediately following Page 2-1.

Figure and Item Numbers are also commonly used to identify locations in the Catalog, ie., 14-910/8 refers to Group 14, illustration 910, Item Number 8. Illustration Numbers are always ascending sequential within the Groups.

SYMBOLS USED IN THIS CATALOG

The Following symbols are commonly used with Part Number and Quantity information in this Catalog:

AR - Indicates the quantity required may vary or is to be determined by the user.

PAR - Indicates "Paint As Required"

BLANK - Indicates "All Condition"

- = "Not Illustrated"

LOGICAL ILLUSTRATIONS

Refer to Illustration in front of each group. This will give assistance to as how each group is broken down and what Specific Illustration should be referenced.

ILLUSTRATION NUMBERING INDEX

Illustration numbers in this Catalog are Group standards. This indicates group and consistent content. EXAMPLE: 8-100 is a Logical Illustration for Starters. 8-101 to 8-199 are Specific Illustrations used for Starters for all Catalogs. 8-200 will contain Alternators for all Catalogs and so on. Always refer to group index in front of each group.

ILLUSTRATION INDEX

This index is a compilation of catalog parts description data with reference to illustrations, figures and key numbers as shown:

Fender ie; Model.....Group: S(Model)Illustration 410
(Fender is located in Sheet Metal Section (S) in Illustration 410)

The first page of each group contains a listing of all illustrations and group breakdown within that group. Also refer to illustrations alphabetically listed in information section.

ALPHABETIC INDEX

This index is a compilation of catalog parts description data with a reference to the location of the item by Group, Figure, and Key Number as shown in the following example:

Housing, w/Pump.....Group 7 Illustration 210 Item 10
(Housing, w/Pump.....7-210/10)

The index will be expanded progressively as data is added to computer files. To locate a part by name refer to the Alphabetical Index. This index indicates the group and illustration and item number where the part is located. Alphabetical Index can be found in INF section of this Catalog.

NUMERICAL INDEX

A listing of Part Numbers contained in the catalog. The numbers are in numerical sequence with reference to the group and Illustration and item number where the part is located.

PARTS PACKAGES

Service Parts Packages, containing all parts needed for specific service operation, are listed in their respective groups with related parts. The listing will show adaptability and model application.

STANDARD PARTS

Important attaching standard parts such as bolts, nuts, etc, are generally listed in the text of the respective major parts groups.

VIN PLATE DECODING INFORMATION

1	2	3	4	5	6	7	8	9	10	11	12 thru 17
Country	Make	Vehicle Type	Other	Line	Series	Body Style	Engine	Check Digit	Model Year	Assy. Plant	Sequence No.

The following table interprets the VIN Plate positions shown above.

Position	Interpretation	Codes = Description
1	Country of Origin	1 = Built in U.S by DaimlerChrysler Corporation.
2	Make	B = Dodge P = Plymouth C = Chrysler
3	Vehicle type	3 = Passenger Car
4	Passenger Safety	E = Restraint System Active Driver and Passenger Air Bag
5	Vehicle Line	S = Neon (Bux - PL LHD and Canada) V = Neon (Bux - PL - RHD)
6	Series	2= Low Line 4= High Line
7	Body Style	6 = 4 Door Sedan
8	Engine	P = 1.6L 4 Cyl 16V Gas (EJD) C = 2.0L 4 Cyl. 16V Gas (ECB) F = 2.0L 4 Cyl 16V Gas (ECH)
9	Check Digit	
10	Model Year	1 = 2001
11	Assembly Plant	D = Belvidere Assembly
12 thru 17	Vehicle Build Sequence	Model Year Assembly Sequence

BODY CODE PLATE INTERPRETATION

The Body Code Plate is located on the Left Front Side Shield or Wheel Housing or the Upper Radiator Support. The Plate contains 7 rows of data. The bottom 3 rows are reserved for the specific information as depicted below. Starting at the fourth row (following the reserved portion), other Sales Codes used to build a specific vehicle are listed in the ascending order by ALPHA sequence.

1	2	3	4	5	6	7	8	9	10	11	12	13	14	15	16	17	18	19	20	21	
22	23	24	25	26	27	28	29	30	31	32	33	34	35	36	37	38	39				
40	41	42	43	44	45	46	47	48	49	50	51	52	53	54	55	56	57	58	59	60	

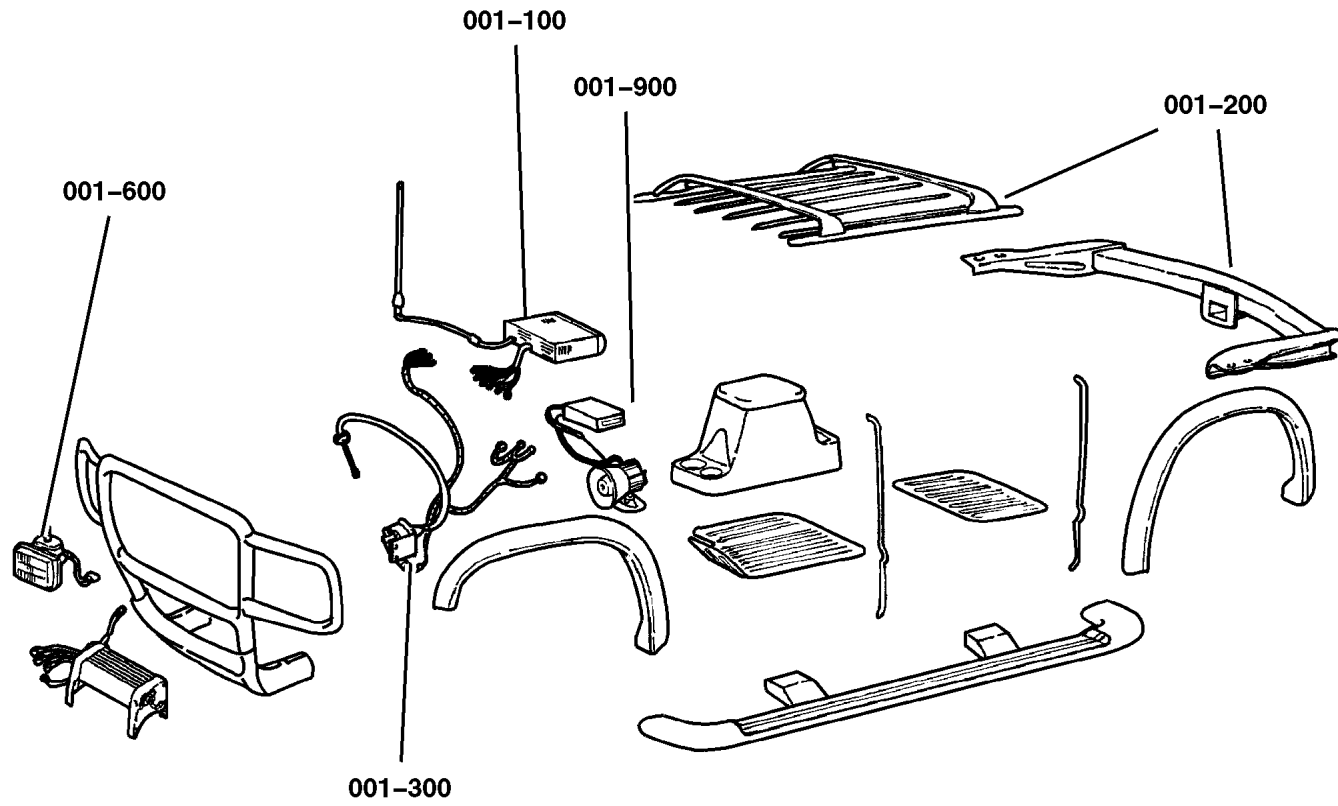
1-12	VEHICLE ORDER NUMBER
13-15	VINYL ROOF CODE/DOOR COMBO CODES
16-18	VEHICLE SHELL CAR LINE
19	PRICE CLASS
20-21	BODY TYPE
22-24	PAINT PROCEDURE
25-28	PRIMARY PAINT
29-32	SECONDARY PAINT
33-36	INTERIOR TRIM CODE
37-39	ENGINE CODES
40-42	TRANSMISSION CODES
43	MARKET CODES
44-46	VEHICLE IDENTIFICATION NUMBER (VIN) For definition of the Elements and the individual position see Vin Plate Defined.

ABBREVIATIONS

A/C	Air Conditioner
ABS	Anti-Lock Brakes System
AR	As Required
ATC	Automatic Temperature Control
AWD	All Wheel Drive
BUX	Built Up Export
CV	Constant Velocity
DOHC	Dual (or Double) OverHead Cam
EFI	Electronic Fuel Injection
EGR	Exhaust Gas Recirculation
ECU	Electronic Control Unit
FWD	Front Wheel Drive
HEX	HEXagon
HCU	Hydraulic Control Unit
I/D	Inside Diameter
L	Liter
LED	Light Emitting Diode
MAP	Manifold Absolute Pressure
MPH	Miles Per Hour
O/D	Outside Diameter
P/S	Power Steering
PSI	Pounds per Square Inch
PSF	Pounds per Square Foot
PRNODL	Park, Reverse, Neutral, Overdrive, Drive, Low
PRNDL	Park, Reverse, Neutral, Drive, Low
PTO	Power Take Off
RFI	Radio Frequency Interference
RPM	Revolutions Per Minute
RTV	Room Temperature Vulcanizer (sealant)
T/BODY	Throttle BODY
U/BODY	Under BODY
SOHC	Single OverHead Cam
PAR	Paint As Required

Group – 001

Component Parts for Mopar Accessories



GROUP 1 - Component Parts for Mopar Accessories

Illustration Title

Group-Fig. No.

Audio & Electronics

Player Kit - CD Player - 4 Disc Fig. 001-110

Carriers & Cargo Hauling

Roof Rack - Removable Fig. 001-205

Bike Carrier - Hitch Mount Fold-Down Style Fig. 001-210

Bike Carrier - Roof Mount Fork Mount Fig. 001-212

Bike Carrier - Roof Mount Upright Fig. 001-214

Ski Carrier - Hitch Mount Fig. 001-220

Carrier Kit - Ski (Two Pair) Roof Mount Fig. 001-222

Carrier Kit- Ski (Six Pair) Fig. 001-224

Carrier Kit - Watersports Fig. 001-232

Trailer Tow Fig. 001-240

Wiring Package - Trailer Tow Fig. 001-290

Driving Convenience

Speed Control Package Fig. 001-310

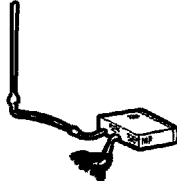
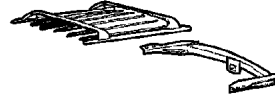

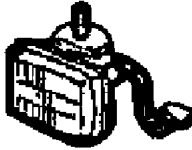

Mounting Kit - Cell Phone Fig. 001-330

Fog Lights & Electrical

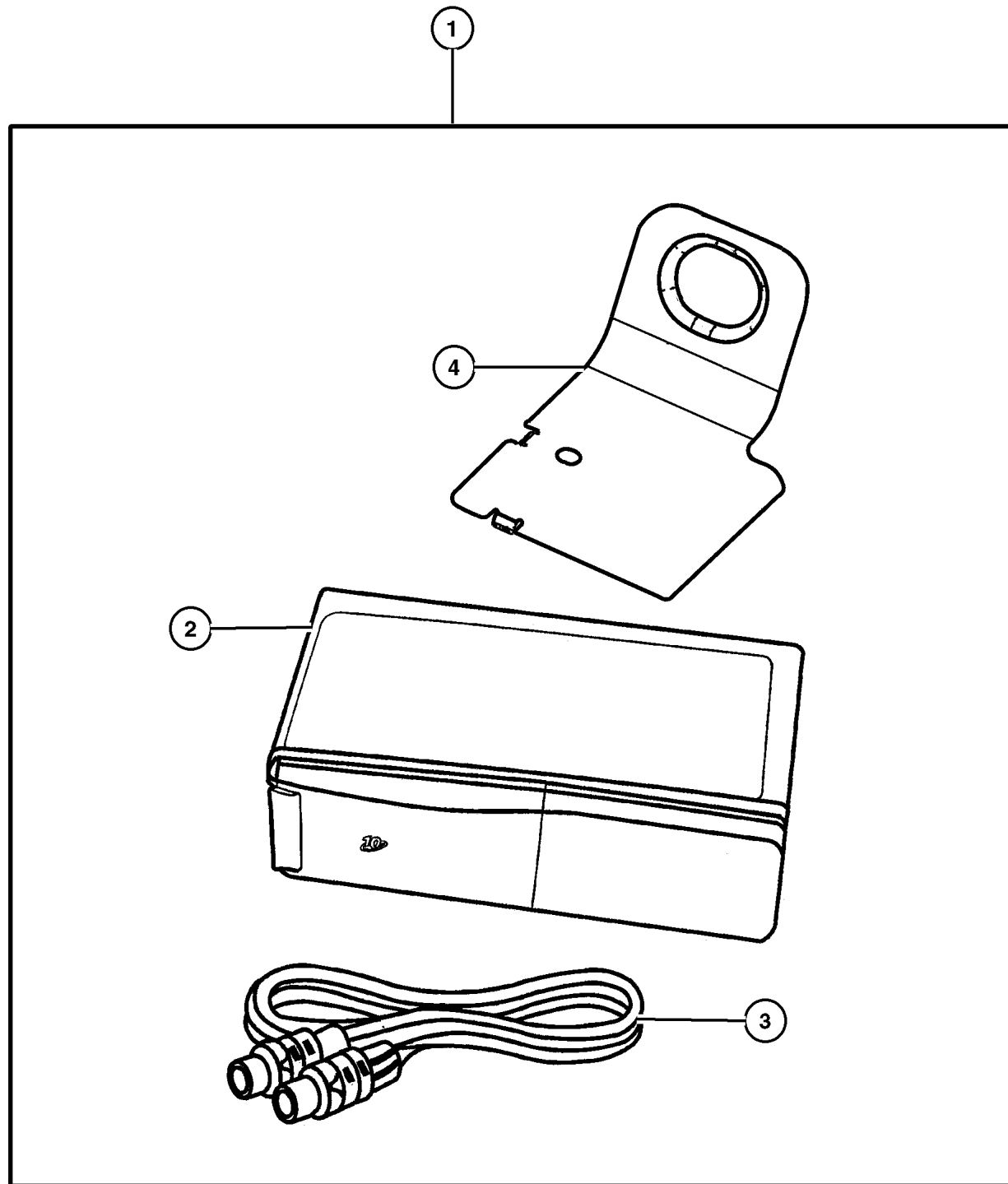
Fog Lamps Fig. 001-612

Security

Alarm EVS Base System Fig. 001-910

<p>001-100 Audio & Electronics</p> 	<p>001-200 Carriers & Cargo Hauling</p> 	<p>001-300 Driving Convenience</p> 	<p>001-600 Fog Lights & Electrical</p> 
<p>001-900 Security</p> 			

Player Kit - CD Player - 4 Disc
Figure 001-110



ITEM	PART NUMBER	QTY	LINE	BODY	DESCRIPTION
1	8220 6742	1			PLAYER PACKAGE, CD Changer - 4 Disc, Radio Control using J-1850
2					CHANGER, CD, Serviced in package only, (NOT SERVICED)
3	4759 529AA	1			DIN CORD, CD Player
4	5291 370AA	1			BRACKET, Instrument Panel
-5	6032 723	1			SCREW, Self Tapping, M4.2x1.69x19.05

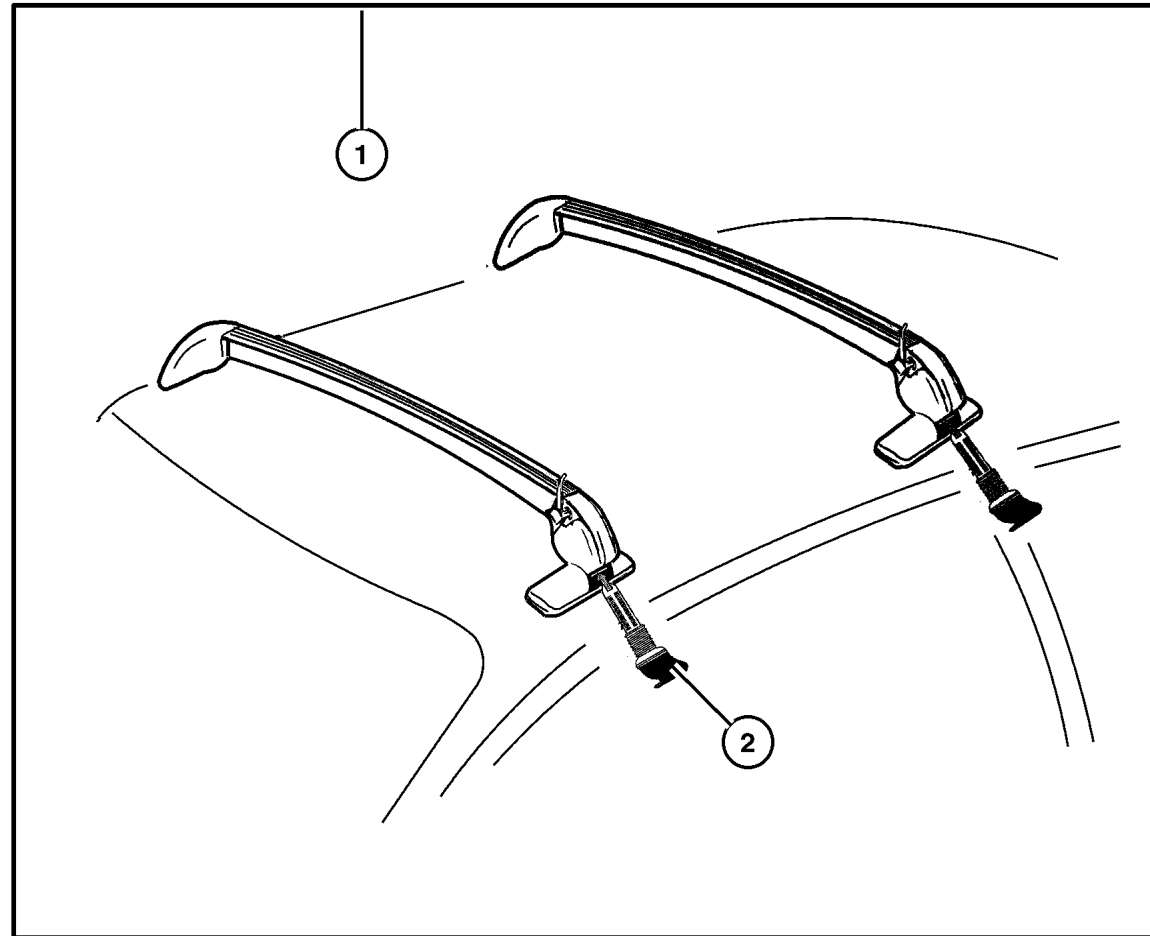
DODGE - CHRYSLER NEON (PL)				
SERIES	LINE	BODY	ENGINE	TRANSMISSION
L=Low Line	Z=Chrysler, RHD	41 = 4 Door,	ECB,EC0=2.0L 4 Cyl., 16V SMPI	DD5=5 Speed Manual
H=High Line	D=Dodge	104WB	ECH,EC0=2.0L 4 Cyl, 16V SOHC	DGC=3 Speed Automatic
	D=Chrysler		EJD,EJ0=1.6L 4 Cyl 16V, SOHC	DGL=4 Speed Automatic
	P=Plymouth		EBD,EB0=1.8L 4 Cyl 16V SEF	DG0=All Automatics
				DBB=All 5 Speed Manual

AR = Use as required - = Non illustrated part # = New this model year

May 2, 2002

**Roof Rack - Removable
Figure 001-205**

ITEM	PART NUMBER	QTY	LINE	BODY	DESCRIPTION
1	8220 4798	1		41	RACK KIT, Roof - Removable
2	5019 509AA	1			STRAP, Roof Rack, Consists of: 1-steel strap

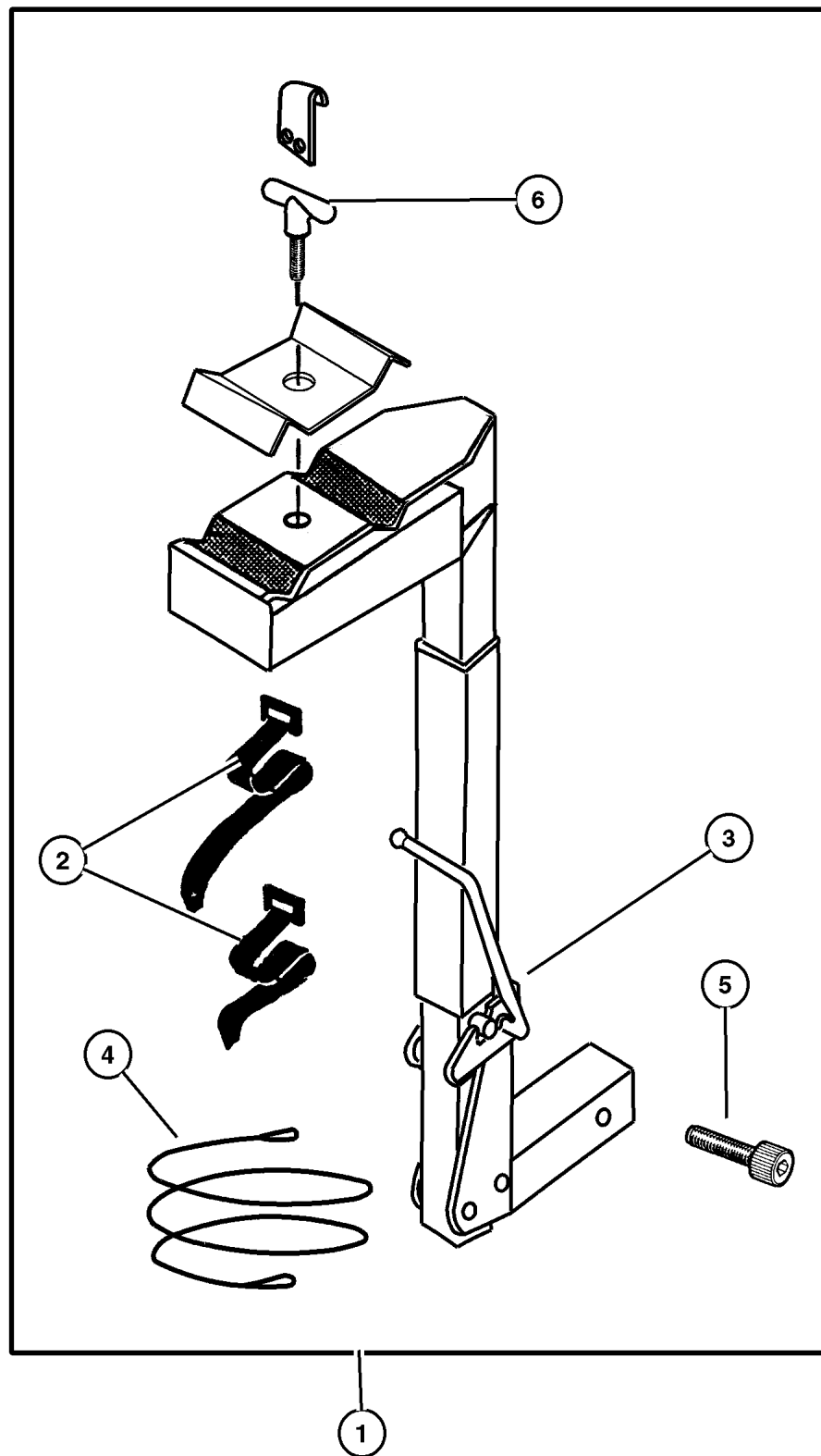


DODGE - CHRYSLER NEON (PL)				
SERIES	LINE	BODY	ENGINE	TRANSMISSION
L=Low Line	Z=Chrysler, RHD	41 = 4 Door,	ECB,EC0=2.0L 4 Cyl., 16V SMPI	DD5=5 Speed Manual
H=High Line	D=Dodge	104WB	ECH,EC0=2.0L 4 Cyl, 16V SOHC	DGC=3 Speed Automatic
	D=Chrysler		EJD,EJ0=1.6L 4 Cyl 16V, SOHC	DGL=4 Speed Automatic
	P=Plymouth		EBD,EB0=1.8L 4 Cyl 16V SEF	DG0=All Automatics
				DBB=All 5 Speed Manual

AR = Use as required - = Non illustrated part # = New this model year

May 2, 2002

**Bike Carrier - Hitch Mount Fold-Down Style
Figure 001-210**



ITEM	PART NUMBER	QTY	LINE	BODY	DESCRIPTION
NOTE: Folds down for access to rear deck, has anti theft bolts.					
1	8220 4452	1	D, P	41	CARRIER KIT, Bike
2	4762 880	1	D, P	41	STRAP KIT, Velcro, Consists of: 1-Long and 1-Short
3	4762 881	1	D, P	41	STRAP KIT, Bike Carrier Latch, Consists of: 2- Rubber Straps
4	4762 882	1	D, P	41	LOCK KIT, Bike Carrier Handle
5	5016 774AA	1	D, P	41	BOLT KIT, Security
6	5016 610AA	1	D, P	41	HARDWARE KIT, Accessory, T-Handle

DODGE - CHRYSLER NEON (PL)				
SERIES	LINE	BODY	ENGINE	TRANSMISSION
L=Low Line	Z=Chrysler, RHD	41 = 4 Door,	ECB,EC0=2.0L 4 Cyl., 16V SMPI	DD5=5 Speed Manual
H=High Line	D=Dodge	104WB	ECH,EC0=2.0L 4 Cyl, 16V SOHC	DGC=3 Speed Automatic
	D=Chrysler		EJD,EJ0=1.6L 4 Cyl 16V, SOHC	DGL=4 Speed Automatic
	P=Plymouth		EBD,EB0=1.8L 4 Cyl 16V SEF	DG0=All Automatics
				DBB=All 5 Speed Manual

AR = Use as required - = Non illustrated part # = New this model year

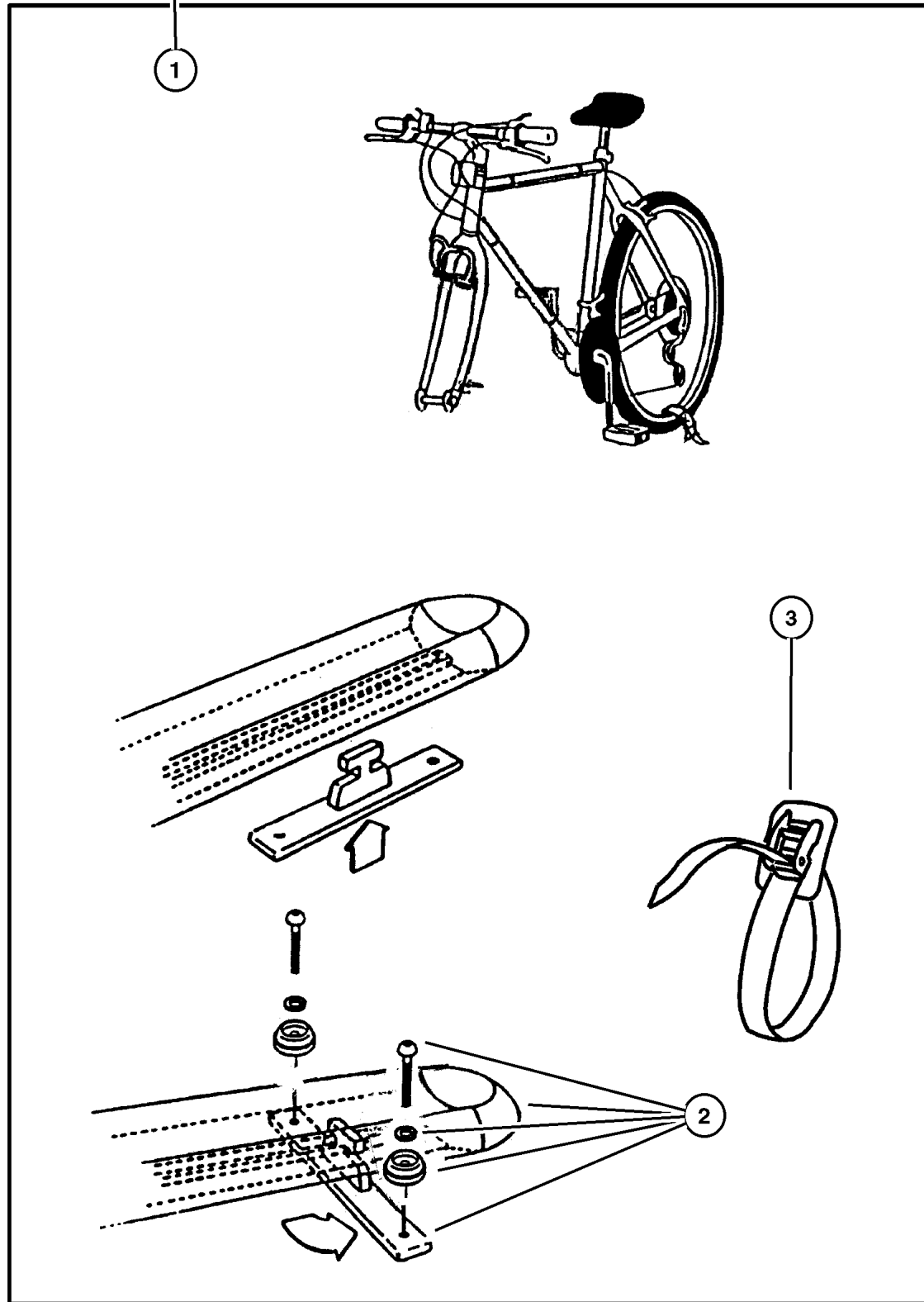
May 2, 2002

Bike Carrier - Roof Mount Fork Mount
Figure 001-212

ITEM	PART NUMBER	QTY	LINE	BODY	DESCRIPTION
------	-------------	-----	------	------	-------------

NOTE: Hardware Kit also contained in Carrier Kit.

1	8230 0585	1	D, P	41	CARRIER KIT, Bike, Fork - Mount
2	5016 512AA	1			HARDWARE KIT, Accessory
3	5016 513AA	1	D, P	41	STRAP, Cargo Tie Down, Contains: 2 Straps



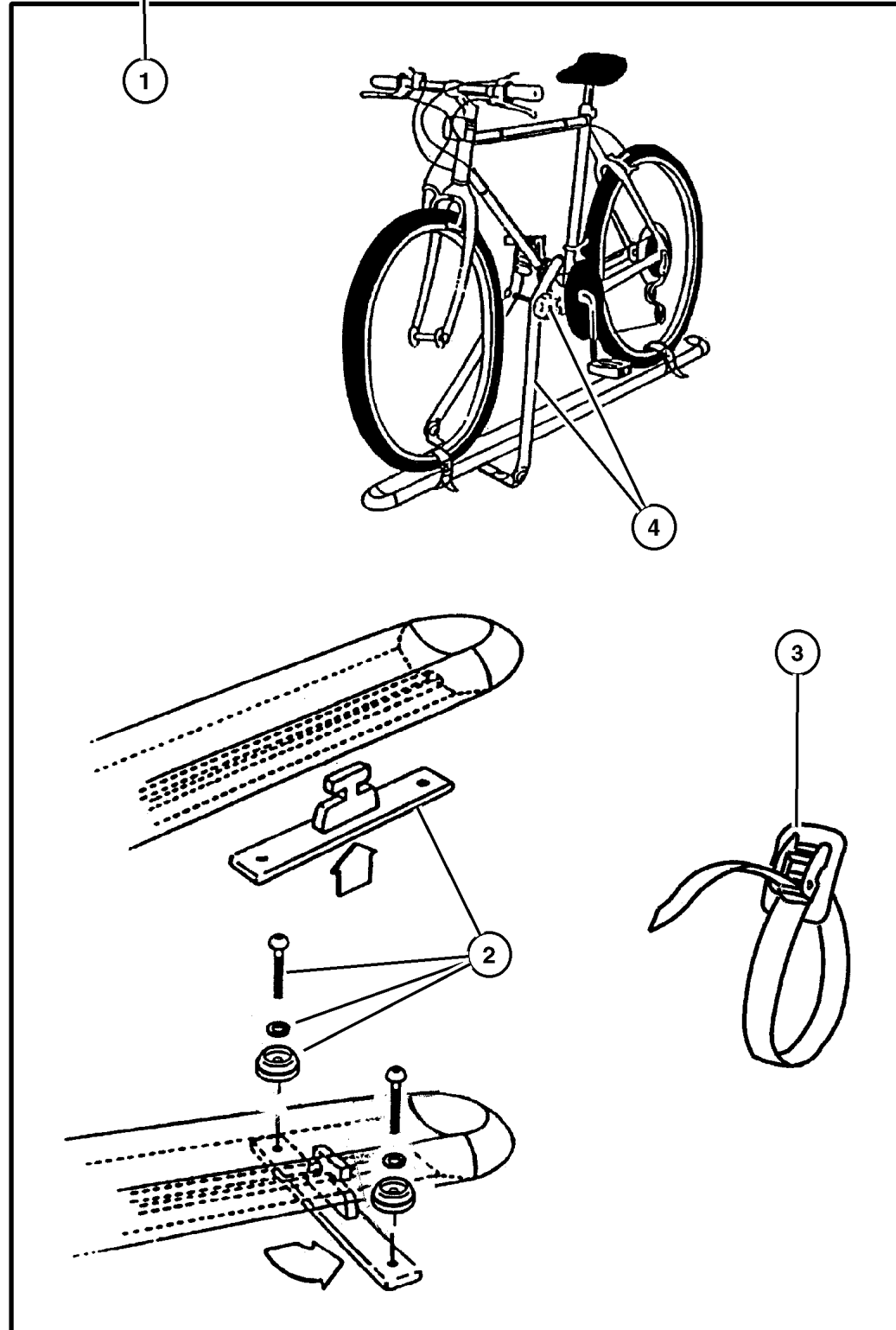
DODGE - CHRYSLER NEON (PL)				
SERIES	LINE	BODY	ENGINE	TRANSMISSION
L=Low Line	Z=Chrysler, RHD	41 = 4 Door,	ECB,EC0=2.0L 4 Cyl., 16V SMPI	DD5=5 Speed Manual
H=High Line	D=Dodge	104WB	ECH,EC0=2.0L 4 Cyl, 16V SOHC	DGC=3 Speed Automatic
	D=Chrysler		EJD,EJ0=1.6L 4 Cyl 16V, SOHC	DGL=4 Speed Automatic
	P=Plymouth		EBD,EB0=1.8L 4 Cyl 16V SEF	DG0=All Automatics
				DBB=All 5 Speed Manual

AR = Use as required - = Non illustrated part # = New this model year

May 2, 2002

Bike Carrier - Roof Mount Upright
Figure 001-214

ITEM	PART NUMBER	QTY	LINE	BODY	DESCRIPTION
NOTE: Required Sports Utility Bar.					
1	8220 3471	1			CARRIER KIT, Bike, Upright - Mount
2	5016 512AA	1			HARDWARE KIT, Accessory
3	5016 513AA	1	D, P	41	STRAP, Cargo Tie Down, Contains: 2 Straps
4	5018 194AA	1			HARDWARE KIT, Bike Carrier

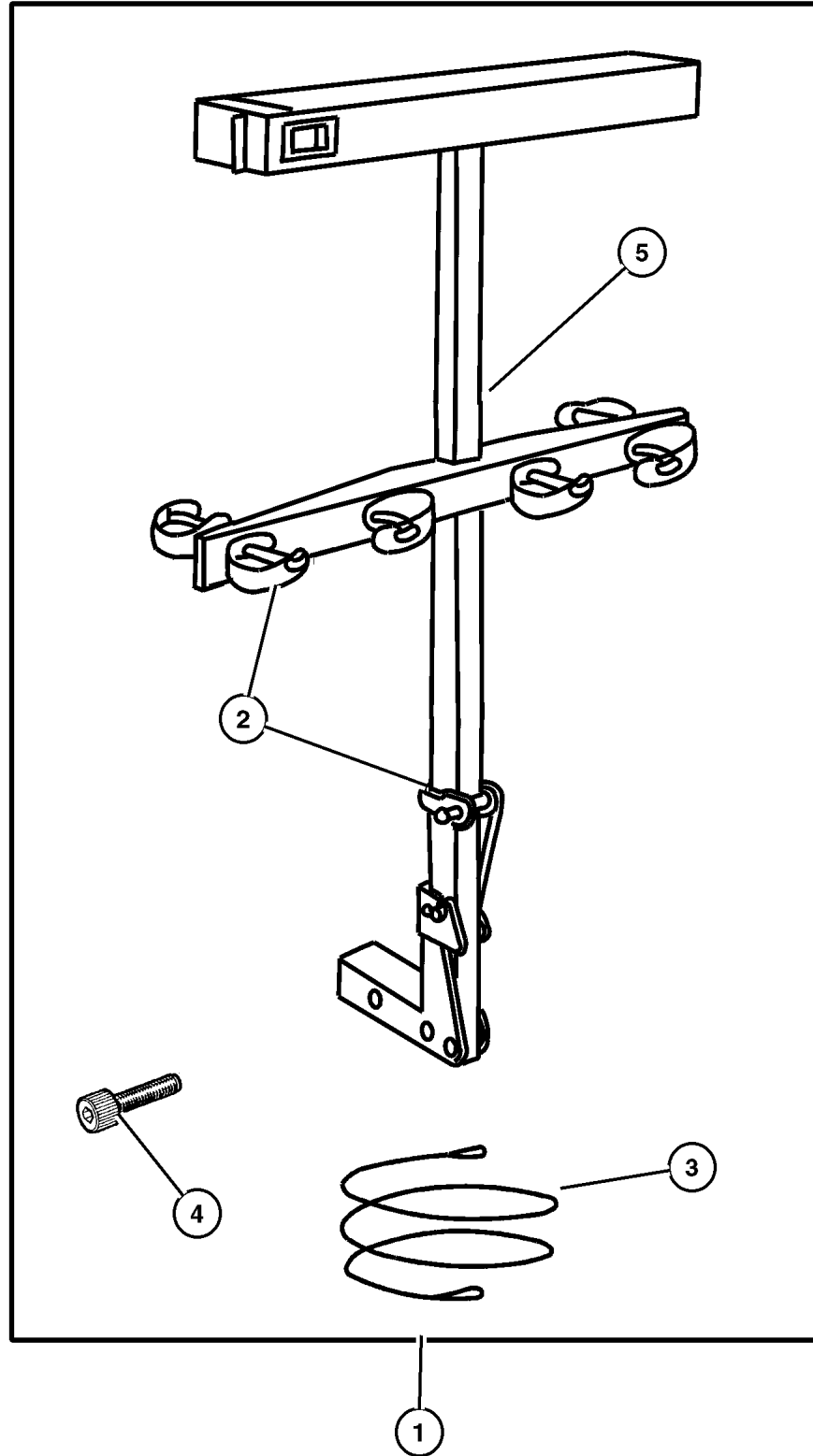


DODGE - CHRYSLER NEON (PL)				
SERIES	LINE	BODY	ENGINE	TRANSMISSION
L=Low Line	Z=Chrysler, RHD	41 = 4 Door,	ECB,EC0=2.0L 4 Cyl., 16V SMPI	DD5=5 Speed Manual
H=High Line	D=Dodge	104WB	ECH,EC0=2.0L 4 Cyl, 16V SOHC	DGC=3 Speed Automatic
	D=Chrysler		EJD,EJ0=1.6L 4 Cyl 16V, SOHC	DGL=4 Speed Automatic
	P=Plymouth		EBD,EB0=1.8L 4 Cyl 16V SEF	DG0=All Automatics
				DBB=All 5 Speed Manual

AR = Use as required - = Non illustrated part # = New this model year

May 2, 2002

**Ski Carrier - Hitch Mount
Figure 001-220**



ITEM	PART NUMBER	QTY	LINE	BODY	DESCRIPTION
------	-------------	-----	------	------	-------------

NOTE: For use with a 1.25' Hitch Receiver.

1	8220 4454	1	D, P	41	CARRIER KIT, Ski - 4 Pair
2	5016 775AA	1	D, P	41	STRAP KIT, Bike Carrier Latch, Consists of: 2- Rubber Straps
3	4762 882	1	D, P	41	LOCK KIT, Bike Carrier Handle
4	5016 776AA	1	D, P	41	BOLT KIT, Security
5	5016 610AA	1	D, P	41	HARDWARE KIT, Accessory, T-Handle

DODGE - CHRYSLER NEON (PL)				
SERIES	LINE	BODY	ENGINE	TRANSMISSION
L=Low Line	Z=Chrysler, RHD	41 = 4 Door,	ECB,EC0=2.0L 4 Cyl., 16V SMPI	DD5=5 Speed Manual
H=High Line	D=Dodge	104WB	ECH,EC0=2.0L 4 Cyl, 16V SOHC	DGC=3 Speed Automatic
	D=Chrysler		EJD,EJ0=1.6L 4 Cyl 16V, SOHC	DGL=4 Speed Automatic
	P=Plymouth		EBD,EB0=1.8L 4 Cyl 16V SEF	DG0=All Automatics
				DBB=All 5 Speed Manual

AR = Use as required - = Non illustrated part # = New this model year

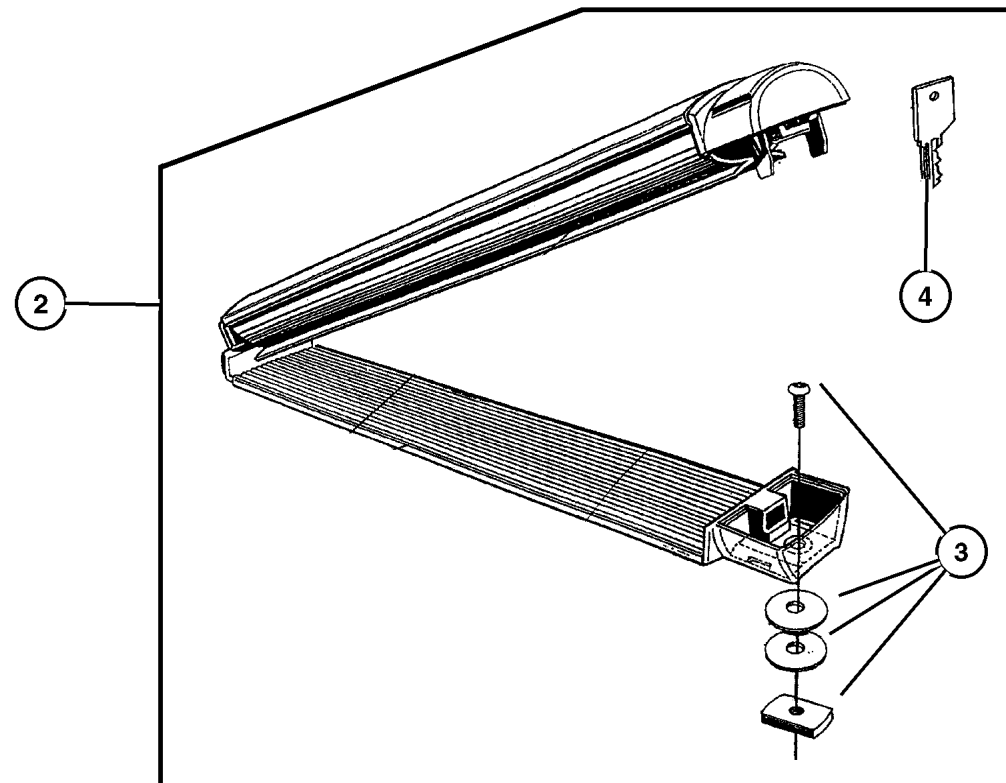
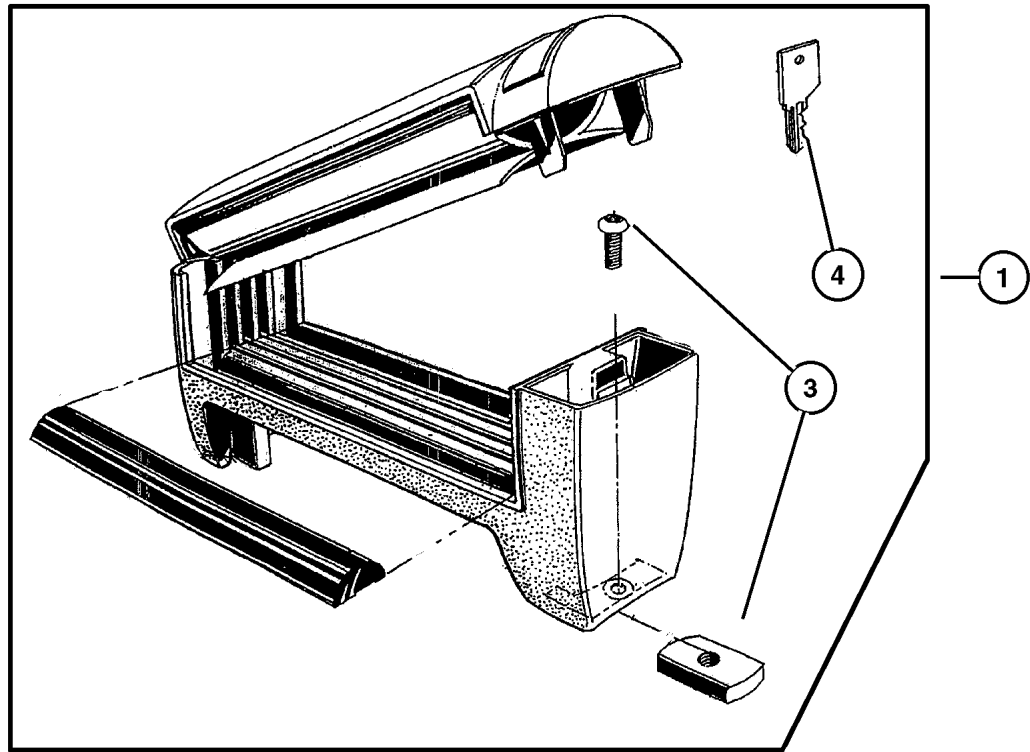
May 2, 2002

Carrier Kit - Ski (Two Pair) Roof Mount
Figure 001-222

ITEM	PART NUMBER	QTY	LINE	BODY	DESCRIPTION
------	-------------	-----	------	------	-------------

NOTE: New keys are Vendor Ship Direct.

1	8220 3474	1			CARRIER KIT, Ski - 2 Pair, High Mount
2	8220 3472	1			CARRIER KIT, Ski
3	5018 389AA	1			HARDWARE KIT, Mounting High Mount
	5019 077AA	1			
4					KEY, Master, (NOT SERVICED)
-5	5016 513AA	1	D, P	41	STRAP, Cargo Tie Down



DODGE - CHRYSLER NEON (PL)

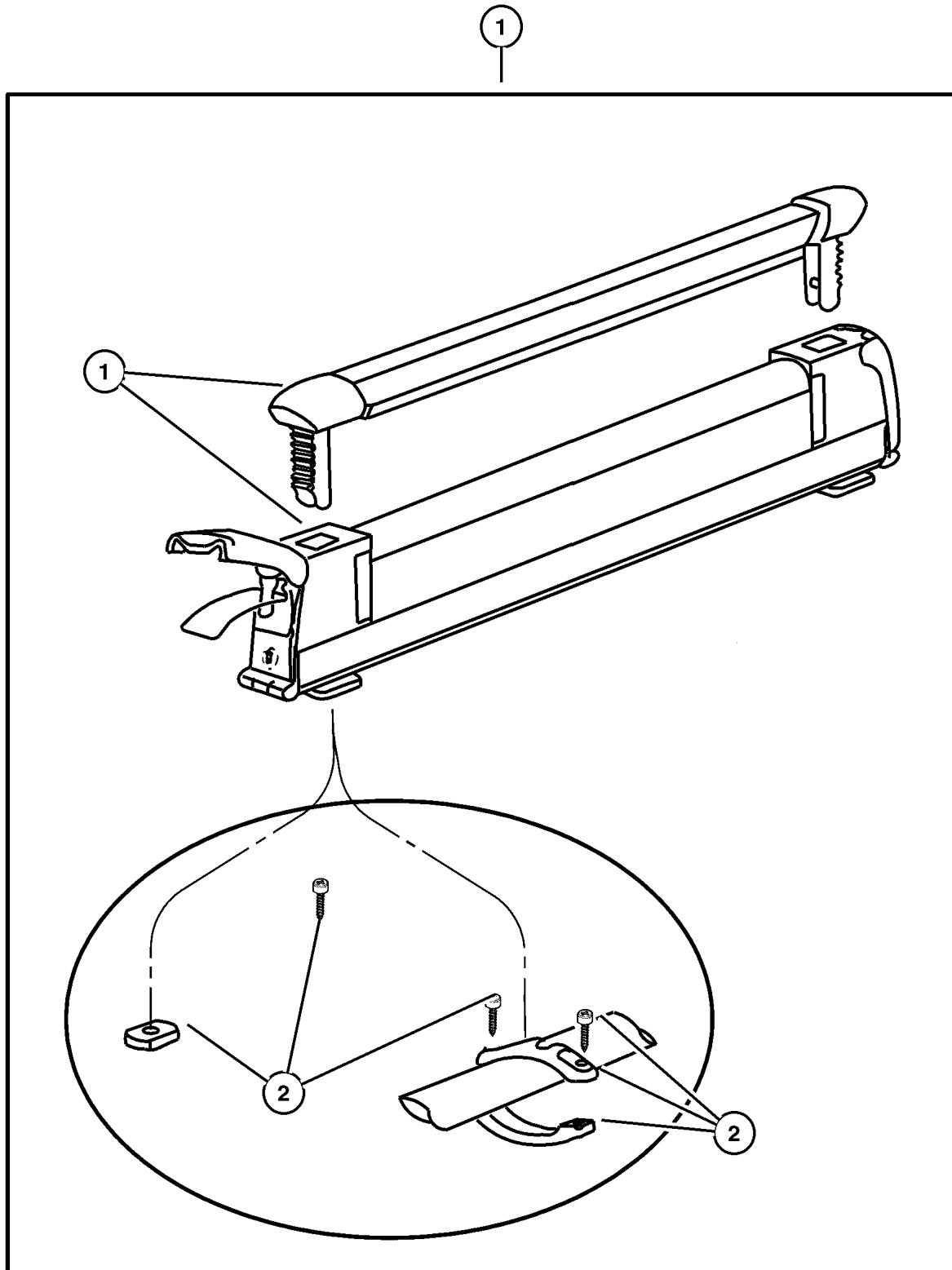
SERIES	LINE	BODY	ENGINE	TRANSMISSION
L=Low Line	Z=Chrysler, RHD	41 = 4 Door,	ECB,EC0=2.0L 4 Cyl., 16V SMPI	DD5=5 Speed Manual
H=High Line	D=Dodge	104WB	ECH,EC0=2.0L 4 Cyl, 16V SOHC	DGC=3 Speed Automatic
	D=Chrysler		EJD,EJ0=1.6L 4 Cyl 16V, SOHC	DGL=4 Speed Automatic
	P=Plymouth		EBD,EB0=1.8L 4 Cyl 16V SEF	DG0=All Automatics
				DBB=All 5 Speed Manual

AR = Use as required - = Non illustrated part # = New this model year

May 2, 2002

Carrier Kit- Ski (Six Pair)
Figure 001-224

ITEM	PART NUMBER	QTY	LINE	BODY	DESCRIPTION
1	8220 5994	1			CARRIER KIT, Ski
2	5019 362AA	1			HARDWARE KIT, Mounting



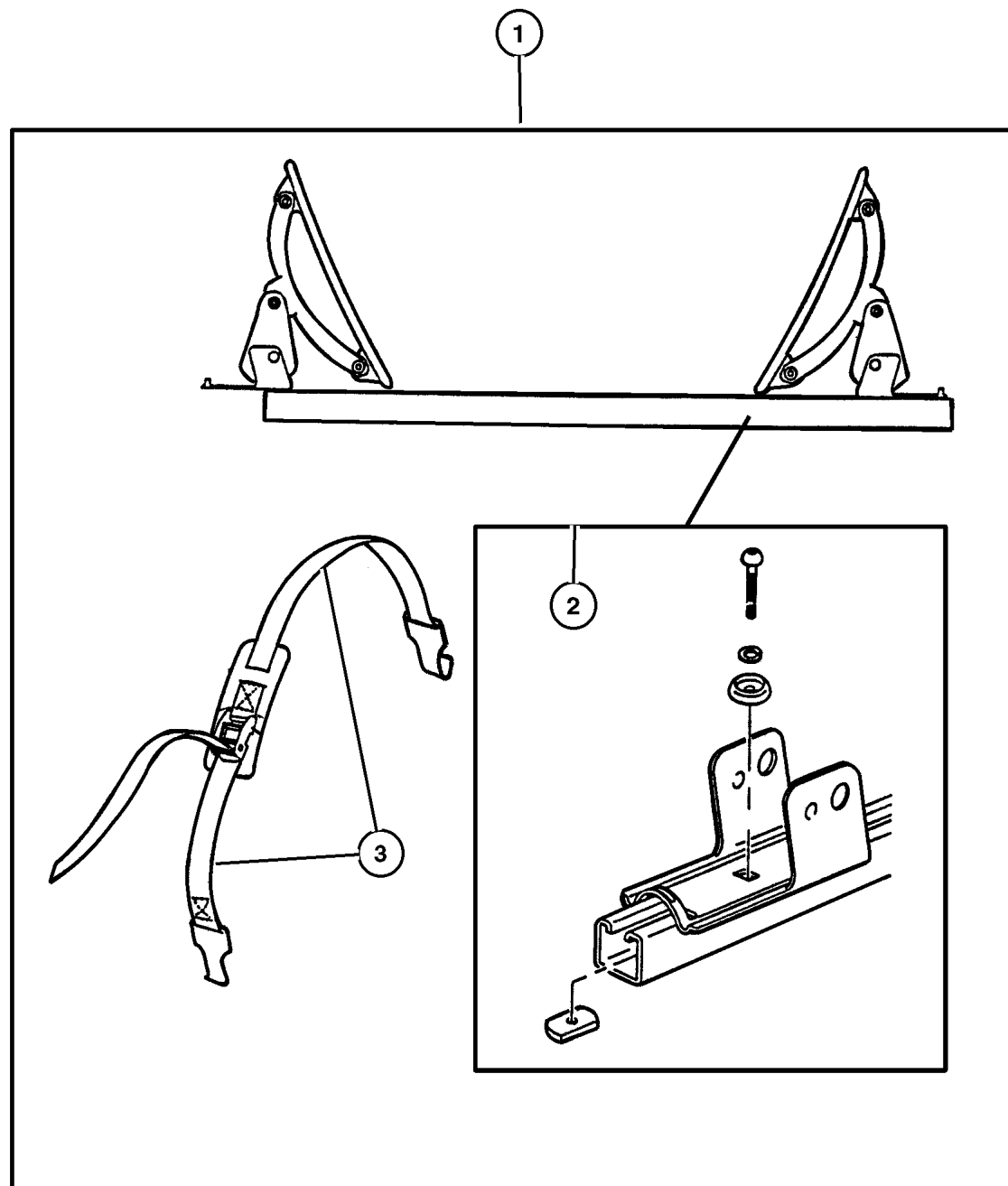
DODGE - CHRYSLER NEON (PL)				
SERIES	LINE	BODY	ENGINE	TRANSMISSION
L=Low Line	Z=Chrysler, RHD	41 = 4 Door,	ECB,EC0=2.0L 4 Cyl., 16V SMPI	DD5=5 Speed Manual
H=High Line	D=Dodge	104WB	ECH,EC0=2.0L 4 Cyl, 16V SOHC	DGC=3 Speed Automatic
	D=Chrysler		EJD,EJ0=1.6L 4 Cyl 16V, SOHC	DGL=4 Speed Automatic
	P=Plymouth		EBD,EB0=1.8L 4 Cyl 16V SEF	DG0=All Automatics
				DBB=All 5 Speed Manual

AR = Use as required - = Non illustrated part # = New this model year

May 2, 2002

Carrier Kit - Watersports
Figure 001-232

ITEM	PART NUMBER	QTY	LINE	BODY	DESCRIPTION
1	8220 5416	1		41	CARRIER KIT, Water Sports
2	5016 389AA	1	D, Z	41	HARDWARE KIT, Accessory
3	5016 511AA	1	D, Z	41	STRAP, Cargo Tie Down

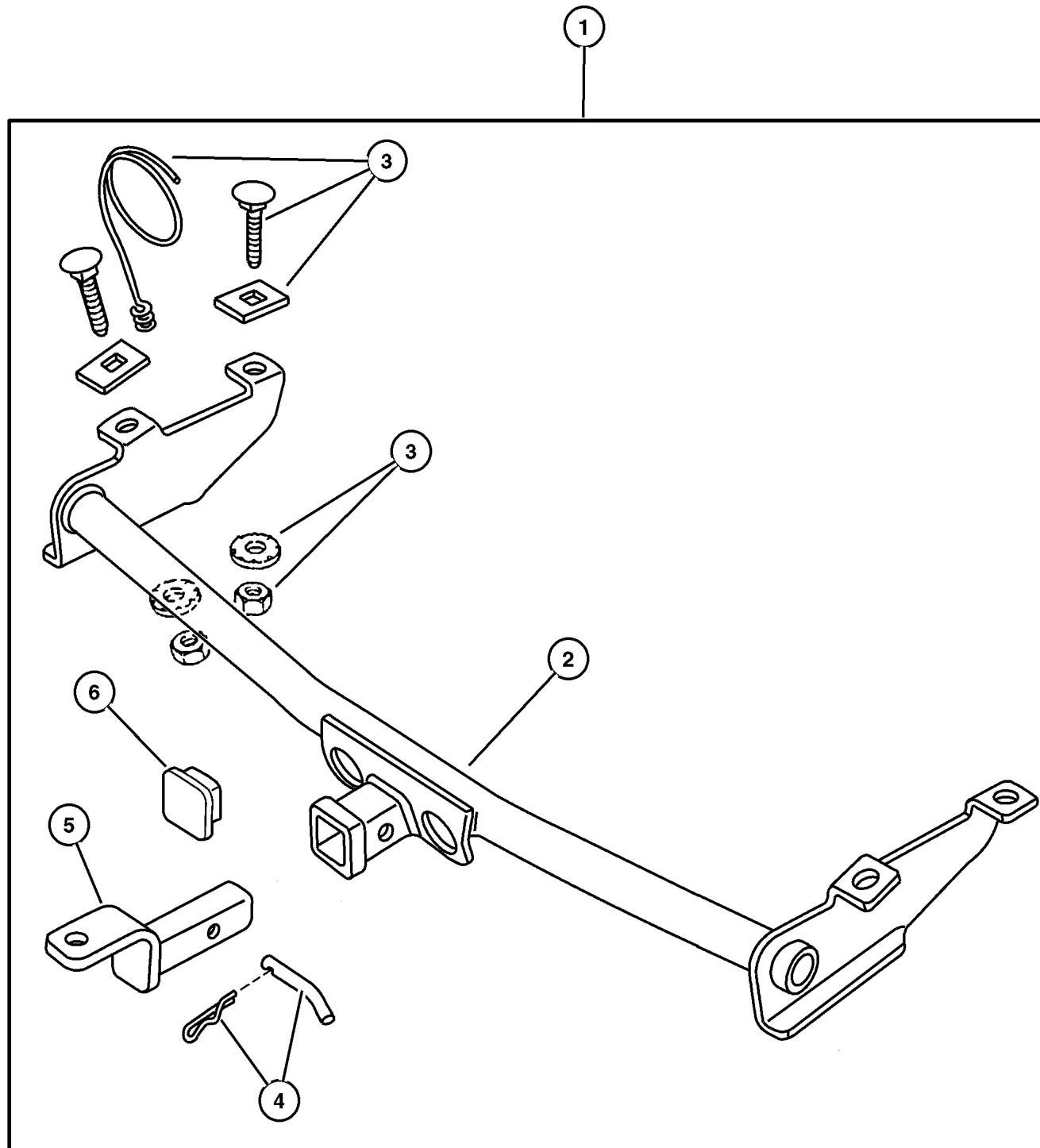


DODGE - CHRYSLER NEON (PL)				
SERIES	LINE	BODY	ENGINE	TRANSMISSION
L=Low Line	Z=Chrysler, RHD	41 = 4 Door,	ECB,EC0=2.0L 4 Cyl., 16V SMPI	DD5=5 Speed Manual
H=High Line	D=Dodge	104WB	ECH,EC0=2.0L 4 Cyl, 16V SOHC	DGC=3 Speed Automatic
	D=Chrysler		EJD,EJ0=1.6L 4 Cyl 16V, SOHC	DGL=4 Speed Automatic
	P=Plymouth		EBD,EB0=1.8L 4 Cyl 16V SEF	DG0=All Automatics
				DBB=All 5 Speed Manual

AR = Use as required - = Non illustrated part # = New this model year

May 2, 2002

**Trailer Tow
Figure 001-240**



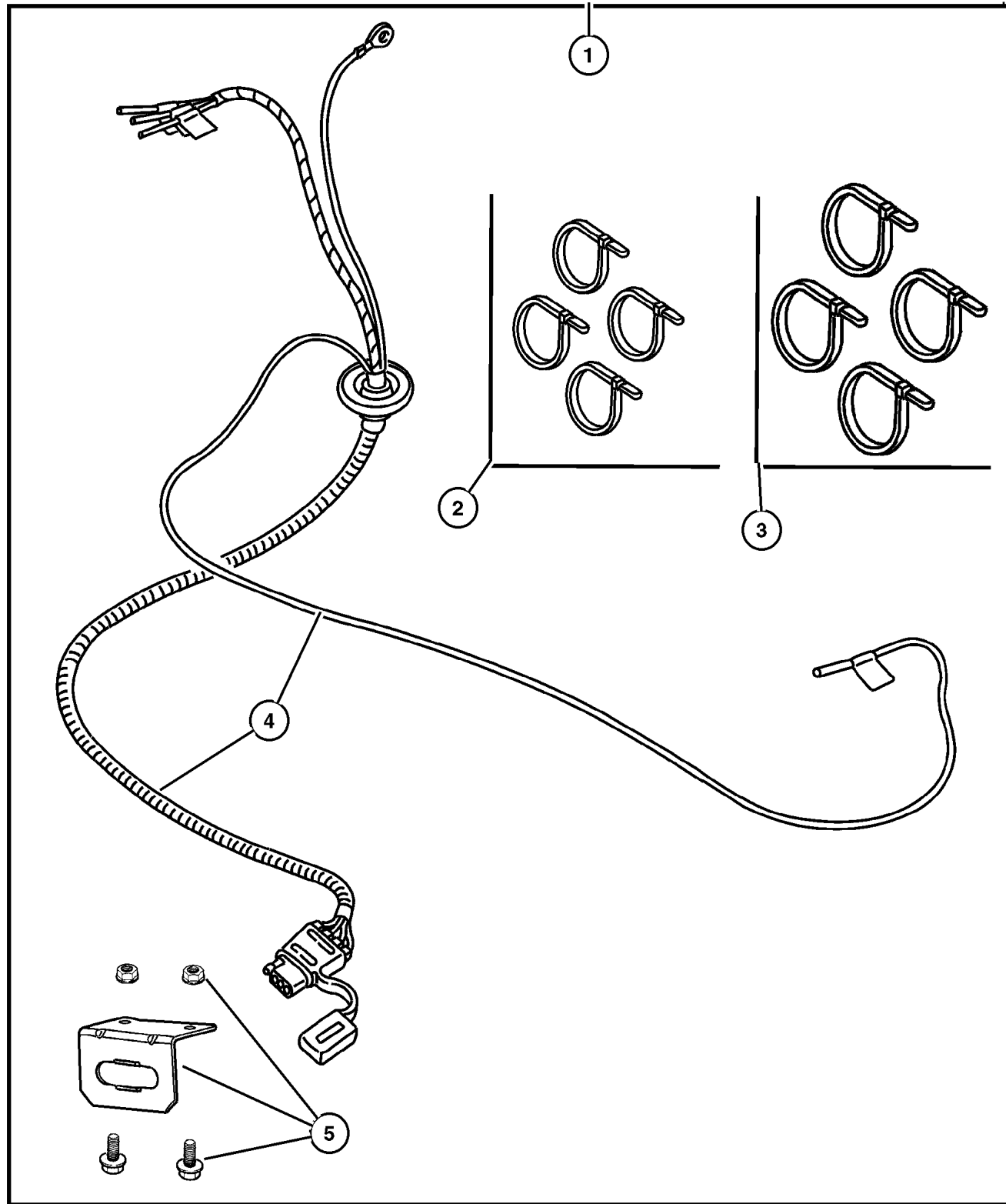
ITEM	PART NUMBER	QTY	LINE	BODY	DESCRIPTION
1	8220 5890	1			RECEIVER KIT, Trailer Tow
2					HITCH, Trailer, (NOT SERVICED)
3	5019 180AA	1			HARDWARE KIT, Hitch
4	5016 666AA	1			PIN, Hitch
5					DRAWBAR, Attachment, Serviced in Kit, (NOT SERVICED)
6					COVER KIT, Trailer Tow, Serviced in Kit, (NOT SERVICED)
-7	8220 5158	1	D, P	41	WIRING PACKAGE, Trailer Tow, 4-Way Flat Connector

DODGE - CHRYSLER NEON (PL)				
SERIES	LINE	BODY	ENGINE	TRANSMISSION
L=Low Line	Z=Chrysler, RHD	41 = 4 Door,	ECB,EC0=2.0L 4 Cyl., 16V SMPI	DD5=5 Speed Manual
H=High Line	D=Dodge	104WB	ECH,EC0=2.0L 4 Cyl, 16V SOHC	DGC=3 Speed Automatic
	D=Chrysler		EJD,EJ0=1.6L 4 Cyl 16V, SOHC	DGL=4 Speed Automatic
	P=Plymouth		EBD,EB0=1.8L 4 Cyl 16V SEF	DG0=All Automatics
				DBB=All 5 Speed Manual

AR = Use as required - = Non illustrated part # = New this model year

May 2, 2002

Wiring Package - Trailer Tow
Figure 001-290



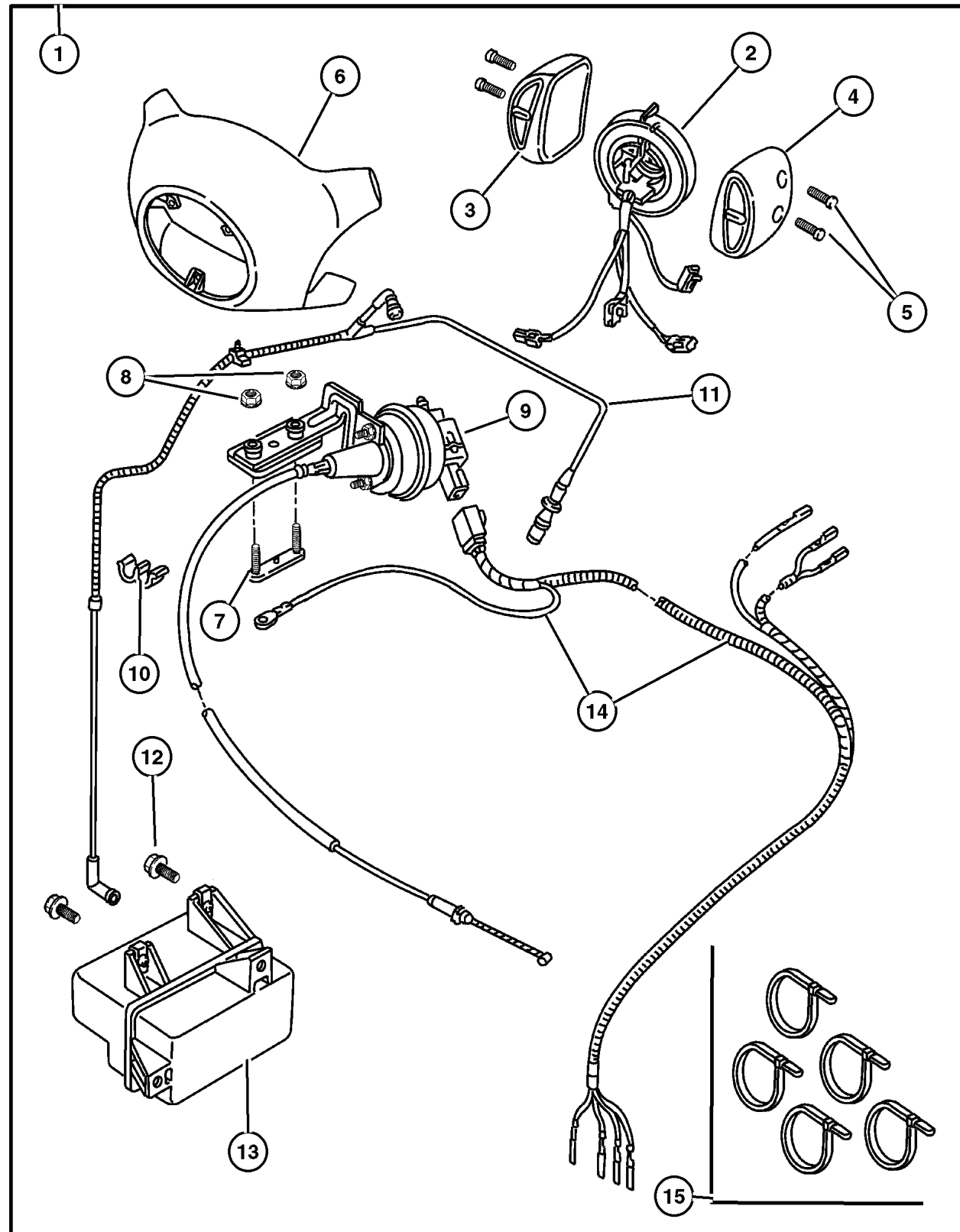
ITEM	PART NUMBER	QTY	LINE	BODY	DESCRIPTION
1	8220 5158	1	D, P	41	WIRING PACKAGE, Trailer Tow
2	6015 756	1	D, P		STRAP, Tie, 7 inch
3					STRAP, Tie, Serviced in Package, (NOT SERVICED)
4					WIRING, Trailer Tow - 4 Way, Serviced in Package, (NOT SERVICED)
5	8220 4602	1	D, P	41	BRACKET KIT, Trailer Tow

DODGE - CHRYSLER NEON (PL)				
SERIES	LINE	BODY	ENGINE	TRANSMISSION
L=Low Line	Z=Chrysler, RHD	41 = 4 Door,	ECB,EC0=2.0L 4 Cyl., 16V SMPI	DD5=5 Speed Manual
H=High Line	D=Dodge	104WB	ECH,EC0=2.0L 4 Cyl, 16V SOHC	DGC=3 Speed Automatic
	D=Chrysler		EJD,EJ0=1.6L 4 Cyl 16V, SOHC	DGL=4 Speed Automatic
	P=Plymouth		EBD,EB0=1.8L 4 Cyl 16V SEF	DG0=All Automatics
				DBB=All 5 Speed Manual

AR = Use as required - = Non illustrated part # = New this model year

May 2, 2002

**Speed Control Package
Figure 001-310**



ITEM	PART NUMBER	QTY	LINE	BODY	DESCRIPTION
1	#8220 6834	1	D, P	41	CONTROL PACKAGE, Speed Control
2	#4793 585AB	1	D, P	41	CLOCKSPRING
3	QA77 1DV	1	D, P	41	SWITCH, Speed Control, Accel Resume/Cancel Coast
4	QA76 1DV	1	D, P	41	SWITCH, Speed Control, On/Off - Set Cruise
5	0154 613	4			SCREW, Pan Head Tapping, .164-32x.625
6	ST87 1DVAA	1	D, P	41	COVER, Steering Wheel Back
7	4591 046	1	D, P	41	PLATE, Speed Control Servo
8	6500 274	2	D, P		LOCK NUT, M6x1.0x6
9					SERVO, Speed Control, Same as Production Parts , (NOT SERVICED)
10	4459 055AB	1	D, P	41	CLIP, Cable Routing
11	#4669 400AC	1	D, P	41	HARNESS, Vacuum Speed Control
12	6101 818	1			SCREW
13	#4669 380AB	1			RESERVOIR, Speed Control Vacuum
14					WIRING, Speed Control, Serviced in Kit, (NOT SERVICED)
15	4641 780	AR	D, P		STRAP, Tie

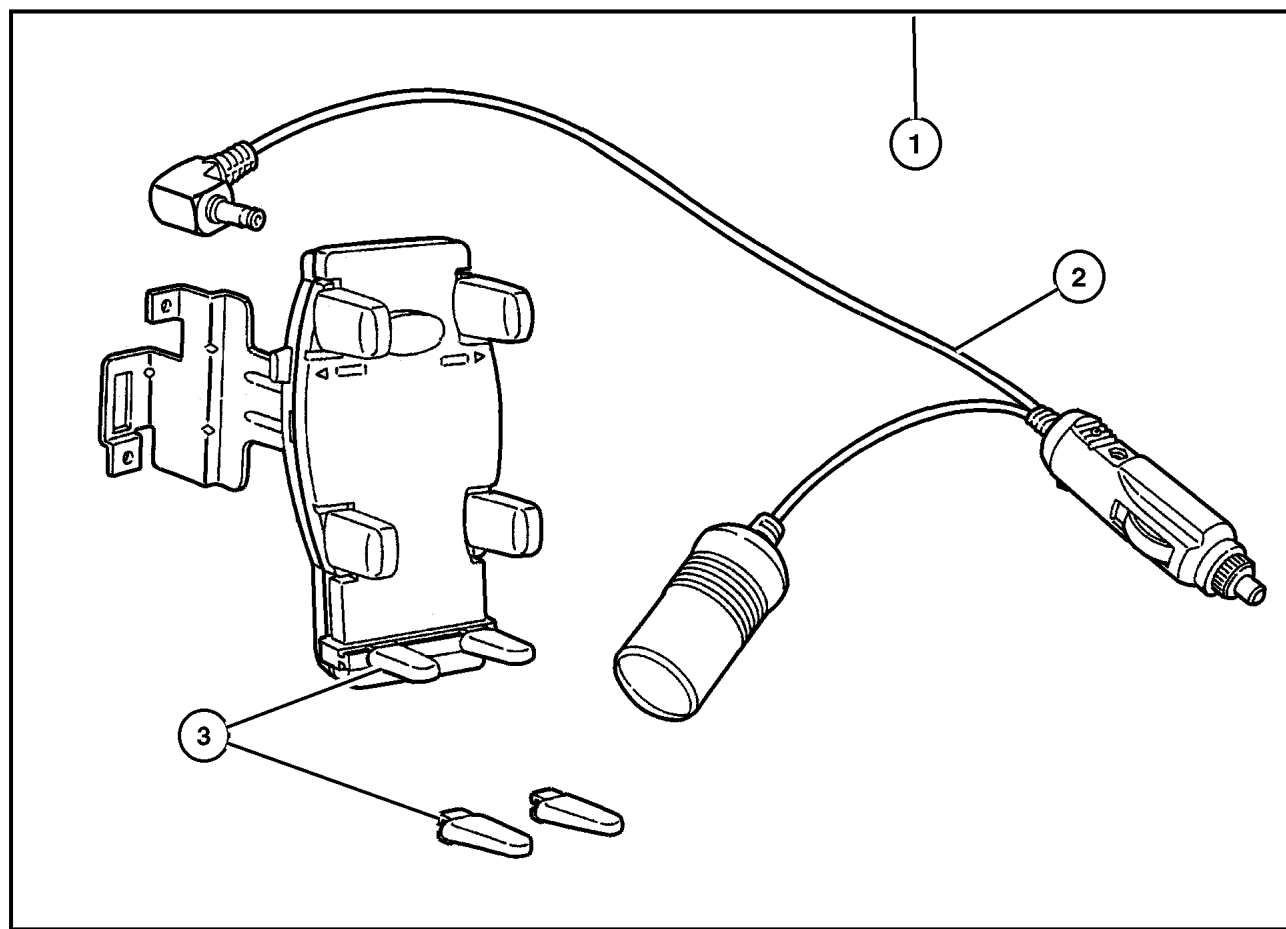
DODGE - CHRYSLER NEON (PL)				
SERIES	LINE	BODY	ENGINE	TRANSMISSION
L=Low Line	Z=Chrysler, RHD	41 = 4 Door,	ECB,EC0=2.0L 4 Cyl., 16V SMPI	DD5=5 Speed Manual
H=High Line	D=Dodge	104WB	ECH,EC0=2.0L 4 Cyl, 16V SOHC	DGC=3 Speed Automatic
	D=Chrysler		EJD,EJ0=1.6L 4 Cyl 16V, SOHC	DGL=4 Speed Automatic
	P=Plymouth		EBD,EB0=1.8L 4 Cyl 16V SEF	DG0=All Automatics
				DBB=All 5 Speed Manual

AR = Use as required - = Non illustrated part # = New this model year

May 2, 2002

Mounting Kit - Cell Phone
Figure 001-330

ITEM	PART NUMBER	QTY	LINE	BODY	DESCRIPTION
1	8220 5276	1			MOUNTING KIT, Cellular Phone
2	5016 536AA	1			CORD, Cellular Phone, 18 inches in length, has 'Y' Accessory feed to plug in another 12V Accessory.
3	5018 103AA	1			HARDWARE KIT, Accessory, Consists of: 1-set of long support feet.



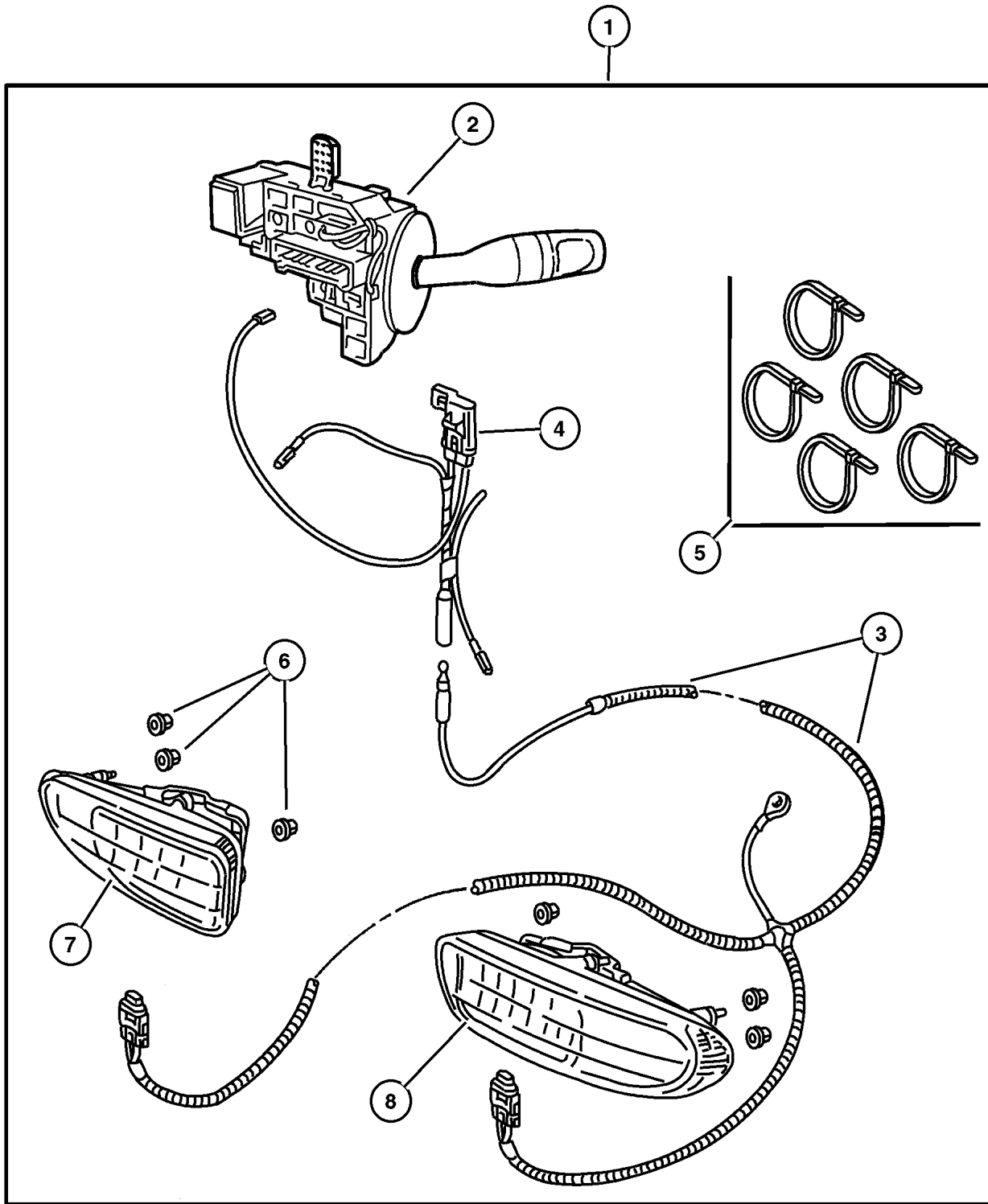
DODGE - CHRYSLER NEON (PL)				
SERIES	LINE	BODY	ENGINE	TRANSMISSION
L=Low Line	Z=Chrysler, RHD	41 = 4 Door,	ECB,EC0=2.0L 4 Cyl., 16V SMPI	DD5=5 Speed Manual
H=High Line	D=Dodge	104WB	ECH,EC0=2.0L 4 Cyl, 16V SOHC	DGC=3 Speed Automatic
	D=Chrysler		EJD,EJ0=1.6L 4 Cyl 16V, SOHC	DGL=4 Speed Automatic
	P=Plymouth		EBD,EB0=1.8L 4 Cyl 16V SEF	DG0=All Automatics
				DBB=All 5 Speed Manual

AR = Use as required - = Non illustrated part # = New this model year

May 2, 2002

Fog Lamps
Figure 001-612

ITEM	PART NUMBER	QTY	LINE	BODY	DESCRIPTION
1	8220 6938	1	D, P	41	LIGHT PACKAGE, Fog
2	5019 569AA	1	D, P	41	SWITCH, Multifunction
3					WIRING, Fog Lamp, Serviced in Package, (NOT SERVICED)
4					WIRING, Serviced in Package, (NOT SERVICED)
5	4641 780	1	D, P		STRAP, Tie, 7 inch
6	6101 447	6			NUT, M6x1.0
7	5288 514AB	1	D, P		LAMP, Fog, Right
8	5288 515AB	1	D, P		LAMP, Fog, Left



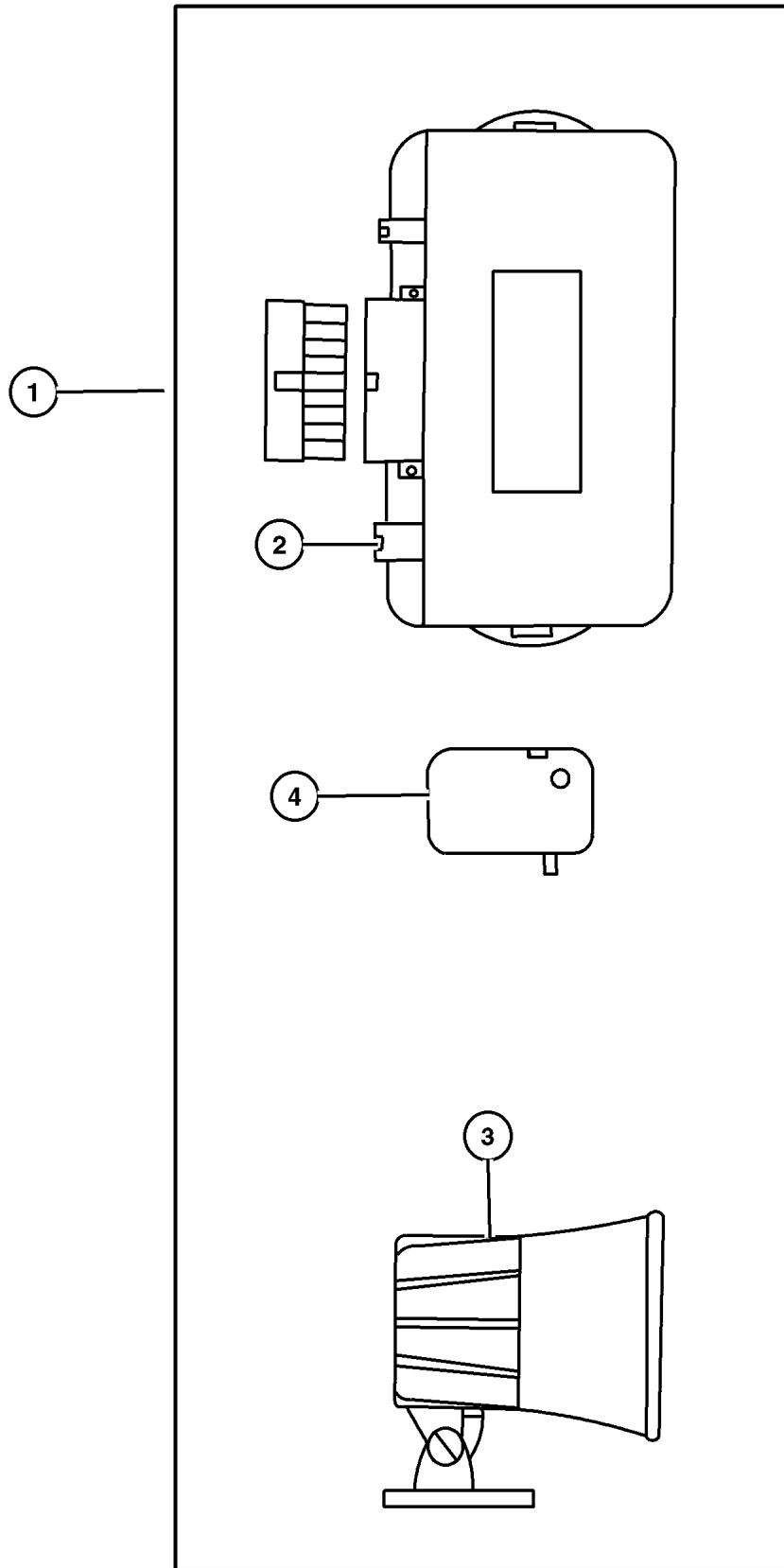
DODGE - CHRYSLER NEON (PL)

SERIES	LINE	BODY	ENGINE	TRANSMISSION
L=Low Line	Z=Chrysler, RHD	41 = 4 Door,	ECB,EC0=2.0L 4 Cyl., 16V SMPI	DD5=5 Speed Manual
H=High Line	D=Dodge	104WB	ECH,EC0=2.0L 4 Cyl, 16V SOHC	DGC=3 Speed Automatic
	D=Chrysler		EJD,EJ0=1.6L 4 Cyl 16V, SOHC	DGL=4 Speed Automatic
	P=Plymouth		EBD,EB0=1.8L 4 Cyl 16V SEF	DG0=All Automatics
				DBB=All 5 Speed Manual

AR = Use as required - = Non illustrated part # = New this model year

May 2, 2002

**Alarm EVS Base System
Figure 001-910**



ITEM	PART NUMBER	QTY	LINE	BODY	DESCRIPTION
------	-------------	-----	------	------	-------------

NOTE: Item # 6 is required for Installation.

1	8220 3763	1	D, P	41	MODULE KIT, Alarm without Keyless
2	5012 164AA	1	D, P	41	MODULE, Security Alarm
3	8220 3198	1	D, P	41	SIREN, Alarm
4	4886 374AA	1	D, P	41	TRANSMITTER, Alarm or Keyless, Two Included
-5	4636 141	1	D, P	41	BATTERY, Transmitter, Two Included
-6	8220 5189	1	D, P	41	WIRING KIT, Alarm without Keyless

DODGE - CHRYSLER NEON (PL)				
SERIES	LINE	BODY	ENGINE	TRANSMISSION
L=Low Line	Z=Chrysler, RHD	41 = 4 Door,	ECB,EC0=2.0L 4 Cyl., 16V SMPI	DD5=5 Speed Manual
H=High Line	D=Dodge	104WB	ECH,EC0=2.0L 4 Cyl, 16V SOHC	DGC=3 Speed Automatic
	D=Chrysler		EJD,EJ0=1.6L 4 Cyl 16V, SOHC	DGL=4 Speed Automatic
	P=Plymouth		EBD,EB0=1.8L 4 Cyl 16V SEF	DG0=All Automatics
				DBB=All 5 Speed Manual

AR = Use as required - = Non illustrated part # = New this model year

May 2, 2002

Group – 002

Front Suspension & Drive

GROUP 2 - Front Suspension & Drive

Illustration Title

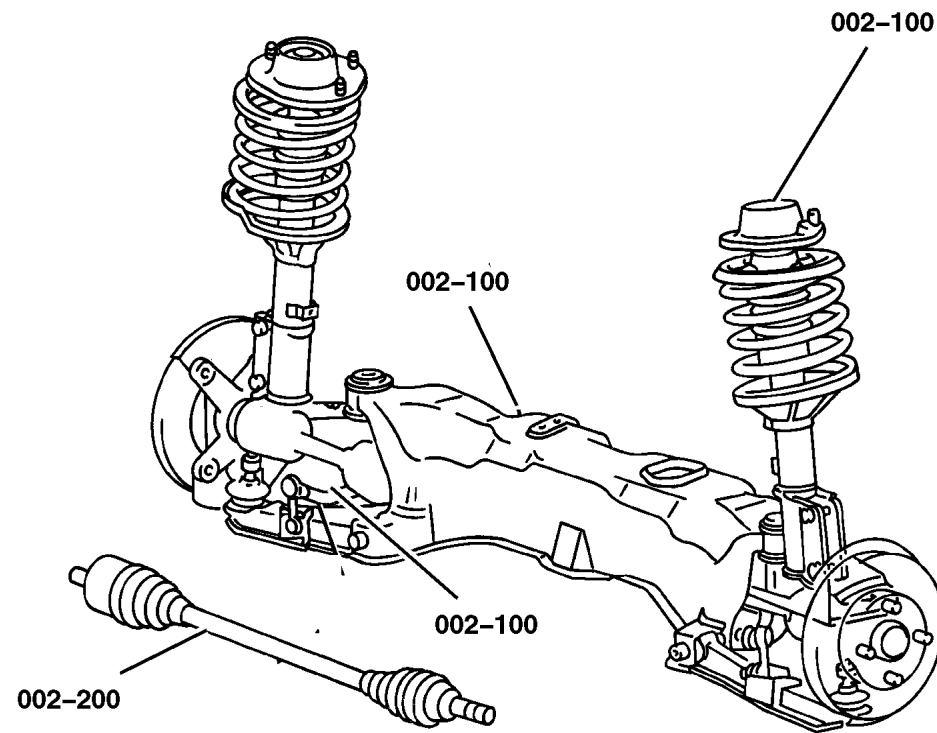
Group-Fig. No.

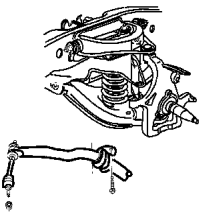
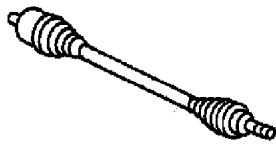
Front Suspension

Suspension, Front Fig. 002-105

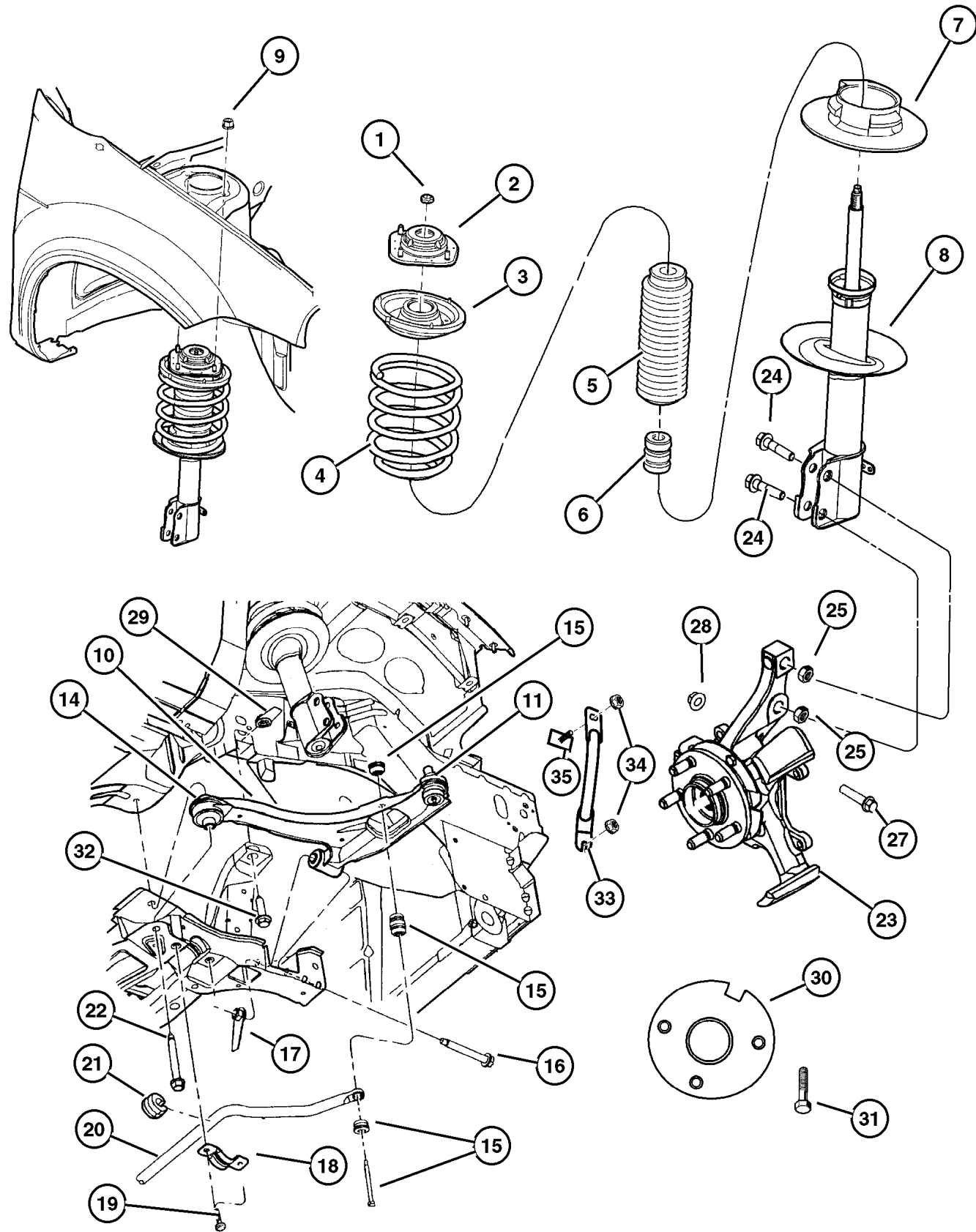
Front Axle Drive Shafts

Shaft, Front Drive Fig. 002-205



<p>002-100 Front Suspension</p> 	<p>002-200 Front Axle Drive Shafts</p> 		
--	---	--	--

Suspension, Front Figure 002-105



ITEM	PART NUMBER	QTY	LINE	BODY	ENGINE	TRANS	DESCRIPTION
NOTE: Sales Codes							
[DD5] = TRANSMISSION - PERF. MANUAL 5-SPEED							
[DGC] = TRANSMISSION - AUTOMATIC 3-SPEED							
[DGL] = TRANSMISSION - AUTOMATIC 4-SPD, 41TE							
[SDB]=SUSPENSION - HEAVY DUTY							
[SDC]=SuspensionTOURING							
[SDE]=SUSPENSION - SPORT							
[SDF]=Suspension EURO							
[SDK]=SUSPENSION - COMPETITION							
[ZCC thur ZRJ]=Spring Group Type's Found on Individual Vehicle Sales's Code							
1	6505 116AA	2					NUT, M14X2
2	5272 226	2					MOUNT AND BEARING, Strut, Upper Front
3	5272 227	2					SEAT AND BEARING, Suspension Strut
4							SPRING, Front Coil
	#5272 603AB	1					[SDB,SDC] Tag#603AB [ZCC, ZRC]
	#5272 291AA	1					[SDE,SDK] Tag#291AA [ZEA, ZTA]
	#5272 292AA	1					[SDE,SDK] Tag#292AA [ZEB, ZTB]
	#5272 293AA	1					[SDE,SDK] Tag#293AA [ZEC, ZTC]
	#5272 294AA	1					[SDE,SDK] Tag#294AA [ZED, ZTD]
	#5272 295AA	1					[SDE,SDK] Tag#295AA [ZEE, ZTE]
	#5272 296AA	1					[SDE,SDK] Tag#296AA [ZEF, ZTF]
	#5272 604AB	1					[SDB,SDC,SDF] Tag#604AB [ZCD, ZRD]
	#5272 605AB	1					[SDB,SDC,SDF,SDD] Tag#605AB [ZCE, ZRE]
	#5272 606AB	1					[SDB,SDC,SDF,SDD] Tag#606AB [ZCF, ZRF]
	#5272 607AB	1					[SDB,SDC,SDF,SDD] Tag#607AB [ZCG,ZRG]
	#5272 608AB	1					[SDB,SDC,SDF] Tag#608AB [ZCH,ZRH]
	#5272 609AB	1					[SDB,SDC,SDF] Tag#609AB [ZCJ,ZRJ]
5	4656 943AB	2					SHIELD, Strut
6	5272 223AC	2					BUMPER, Jounce
7	4656 083	2					ISOLATOR, Spring
8							STRUT, Front Suspension
	5272 325AD	2					[SDC]
	#4656 174AE	2	D, Z				[SDF, SDB, SDD]
	#4656 694AB	2					[SDE]
	#5272 783AB	2					[SDK]
9	6101 445	6					NUT AND WASHER, Hex Nut-Coned Washer, M8 x 1.25
10							ARM, Control
	5272 236AC	1					Right
	5272 237AC	1					Left
11	4656 010	1					BALL JOINT, Lower Control Arm
-12	4694 745	1					FITTING, Ball Joint, Zirc
-13	4656 464AA	1					SEAL, Ball Joint

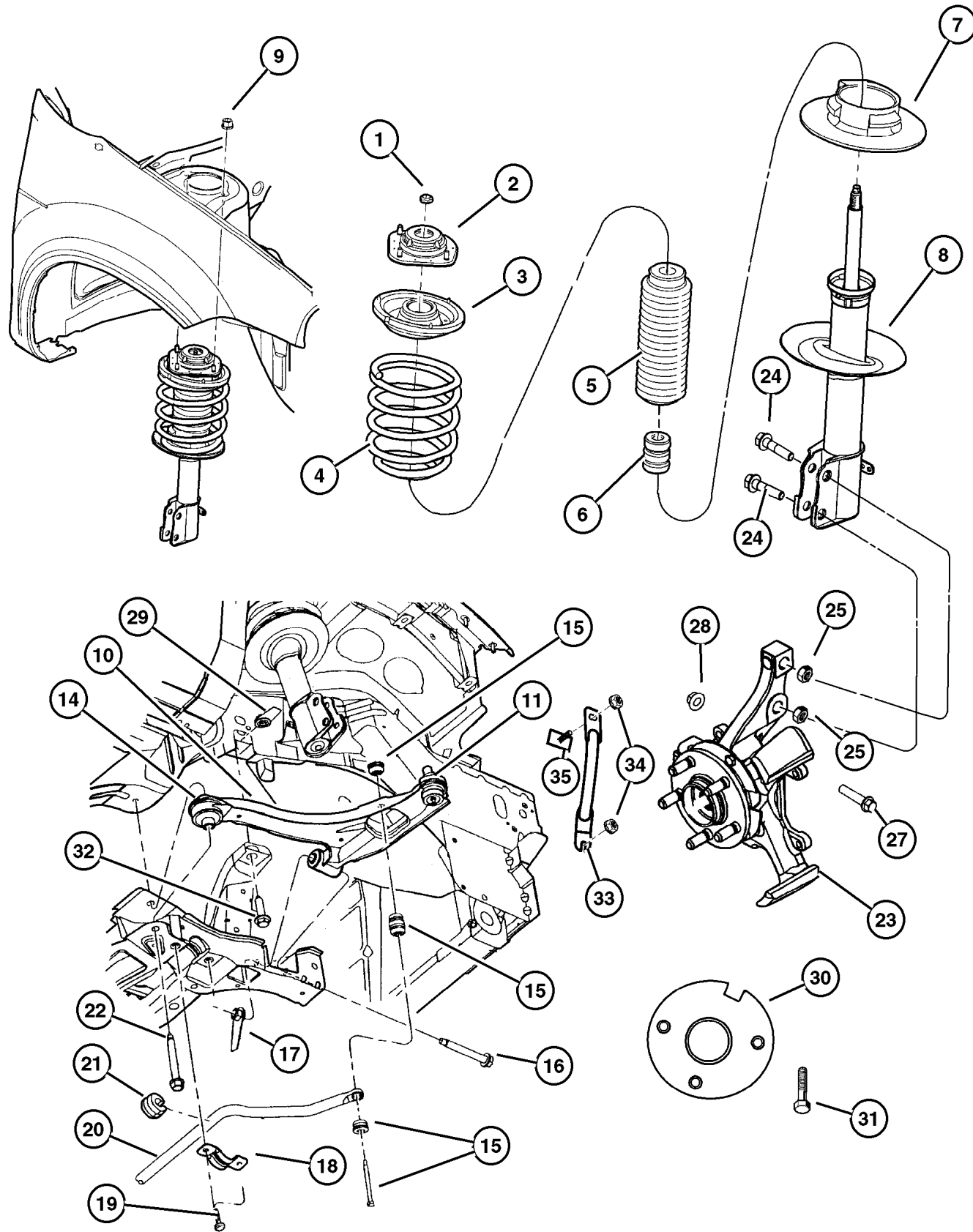
DODGE - CHRYSLER NEON (PL)

SERIES	LINE	BODY	ENGINE	TRANSMISSION
L=Low Line	Z=Chrysler, RHD	41 = 4 Door,	ECB,EC0=2.0L 4 Cyl., 16V SMPI	DD5=5 Speed Manual
H=High Line	D=Dodge	104WB	ECH,EC0=2.0L 4 Cyl, 16V SOHC	DGC=3 Speed Automatic
	D=Chrysler		EJD,EJ0=1.6L 4 Cyl 16V, SOHC	DGL=4 Speed Automatic
	P=Plymouth		EBD,EB0=1.8L 4 Cyl 16V SEF	DG0=All Automatics
				DBB=All 5 Speed Manual

AR = Use as required - = Non illustrated part # = New this model year

May 2, 2002

Suspension, Front Figure 002-105



ITEM	PART NUMBER	QTY	LINE	BODY	ENGINE	TRANS	DESCRIPTION
14	4656 012AC	1					BUSHING, Control Arm
15	5272 324AB	2					LINK, Sway Eliminator
16	6504 742	2					SCREW AND WASHER, Hex Head, M14 x 2 x 115.0
17	6505 595AA	2					NUT, M14X2
18	4656 513AA	2					CLAMP, Stabilizer Bar
19	6505 622AA	4					SCREW, Hex Head
20	4656 670AA	1					BAR, Front Sway Export
21	5272 327	1					CUSHION, Sway Eliminator
22	4656 512AA	2					SCREW, Hex Head, Front Control Arm Rear Pivot Att M16x2.00x130.0
23	4656 090AE	1				DD5, DGC	KNUCKLE, Front Right
	4656 091AE	1				DD5, DGC	Left
	#4656 938AA	1				DGL	Right
	#4656 939AA	1				DGL	Left
24	6505 525AA	4					SCREW, M14x2.00x70.00
25	6505 232AA	4					NUT, M14x2.00
-26	5019 074AA	4					BOLT PACKAGE, Camber Adjustment
27	6501 248	2					BOLT, Hex Flange Head, M12x1.75x57
28	6501 247	2					NUT, M12x1.75
29	6505 595AA	2					NUT, M14X2
30	4668 361AB	1				DD5, DGC	RETAINER
		1				DGL	
31	6505 982AA	3				DD5, DGC	SCREW, Hex Head, M8x1.25x20.00
32	6506 038AA	2					SCREW, Hex Head, Cross Member To Side Rail, Front
33	4656 614AA	1					STRUT, Suspension, Pencil
34	6504 728	2					NUT AND WASHER, M10x1.5
35	6506 427AA	1					BOLT, M10X1.5X40.0

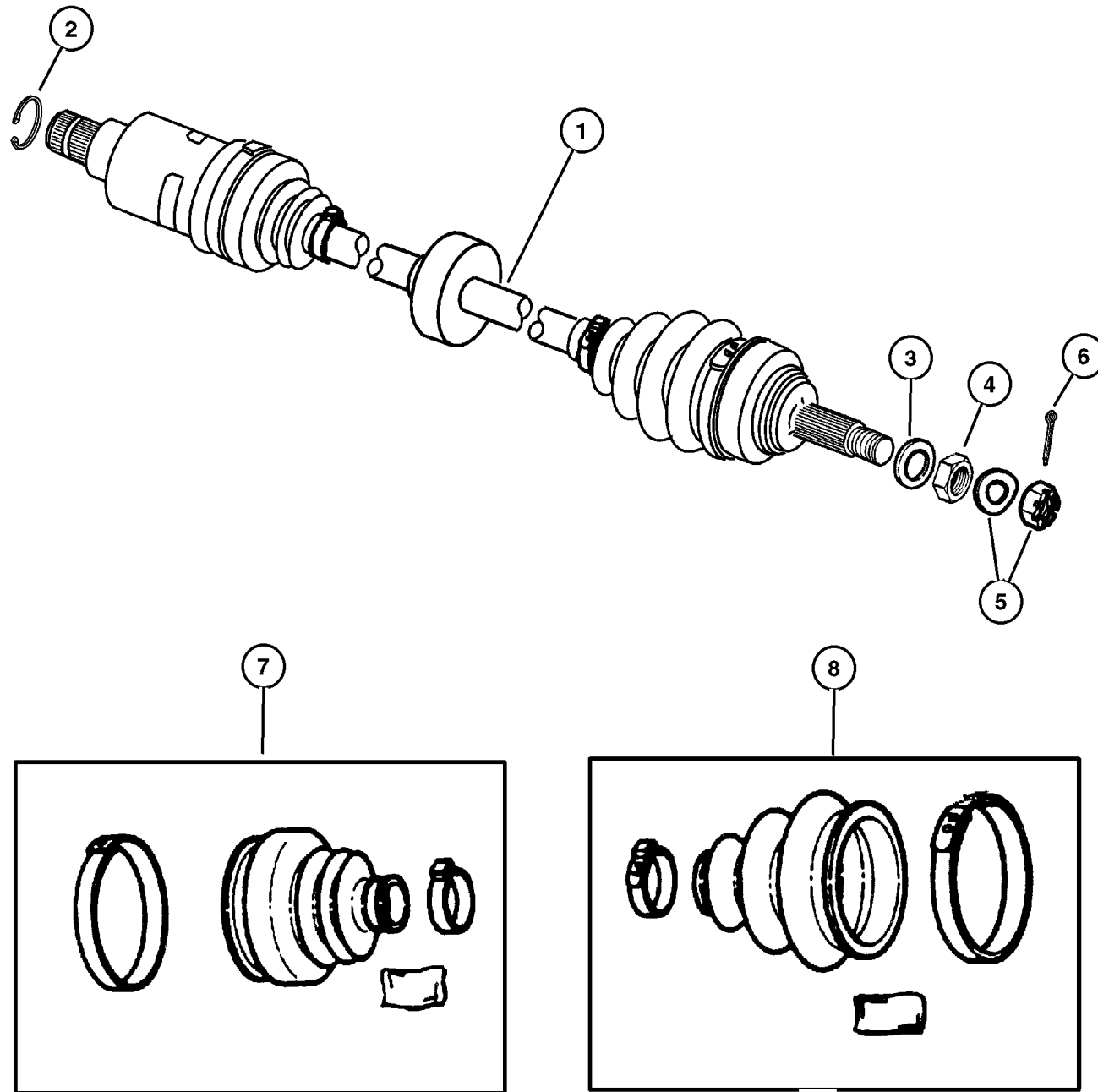
DODGE - CHRYSLER NEON (PL)

SERIES	LINE	BODY	ENGINE	TRANSMISSION
L=Low Line	Z=Chrysler, RHD	41 = 4 Door,	ECB,EC0=2.0L 4 Cyl., 16V SMPI	DD5=5 Speed Manual
H=High Line	D=Dodge	104WB	ECH,EC0=2.0L 4 Cyl, 16V SOHC	DGC=3 Speed Automatic
	D=Chrysler		EJD,EJ0=1.6L 4 Cyl 16V, SOHC	DGL=4 Speed Automatic
	P=Plymouth		EBD,EB0=1.8L 4 Cyl 16V SEF	DG0=All Automatics
				DBB=All 5 Speed Manual

AR = Use as required - = Non illustrated part # = New this model year

May 2, 2002

Shaft, Front Drive
Figure 002-205



ITEM	PART NUMBER	QTY	LINE	BODY	ENGINE	TRANS	DESCRIPTION
------	-------------	-----	------	------	--------	-------	-------------

NOTE: Sales Codes

- [ACR]=COMPETITION GROUP
- [EJD]=1.6L 4 CYL SOHC 16V SMPI
- [EBD]=1.8L 4 Cyl. SOHC 16 Valve
- [ECB]=2.0L 4 Cyl. SOHC 16 Valve
- [DD5]=5 Sp. Manual Trans.
- [DGL]=4-SPD. AUTOMATIC,41TE
- [DGC]=3 Sp. Auto. Trans.

1							SHAFT, Axle Half
	4668 420AB	1				DGL	Right
		1				DD5	with [ACR], Right
	4668 421AB	1				DGL	Left
		1				DD5	with [ACR], Left
	4668 952AE	1			EBD, ECB, EJD	DD5	without [ACR], Right
	4668 953AC	1			EBD, ECB, EJD	DD5, DGC	without [ACR], Left
	4668 956AD	1				DGC	without [ACR], Right
2	5018 066AA	2					CIRCLIP, Half Shaft
3	6503 352	2					WASHER, Flat, M23x38.0x405
4	6503 685	2					NUT
5	4293 167	2					NUT AND WASHER PACKAGE, Front Hub
6	6500 336	2					PIN, Cotter, M5x36.00
7							BOOT KIT, Half Shaft, Inner
	5018 064AA	1					[ACR], Right
	5018 065AA	1					[ACR], Left
	5014 912AA	1			EBD, ECB, EJD	DD5, DGC	Right
	5014 913AA	1			EBD, ECB, EJD	DD5, DGC	Left
8							BOOT KIT, Half Shaft, Outer, Left and Right
	5018 063AA	2				DD5	[ACR]
		2				DGL	[ACR]
	5014 914AA	2			EBD, ECB, EJD	DD5, DGC	

DODGE - CHRYSLER NEON (PL)

SERIES	LINE	BODY	ENGINE	TRANSMISSION
L=Low Line	Z=Chrysler, RHD	41 = 4 Door,	ECB,EC0=2.0L 4 Cyl., 16V SMPI	DD5=5 Speed Manual
H=High Line	D=Dodge	104WB	ECH,EC0=2.0L 4 Cyl, 16V SOHC	DGC=3 Speed Automatic
	D=Chrysler		EJD,EJ0=1.6L 4 Cyl 16V, SOHC	DGL=4 Speed Automatic
	P=Plymouth		EBD,EB0=1.8L 4 Cyl 16V SEF	DG0=All Automatics
				DBB=All 5 Speed Manual

AR = Use as required - = Non illustrated part # = New this model year

May 2, 2002

Group – 004

Parking Brake

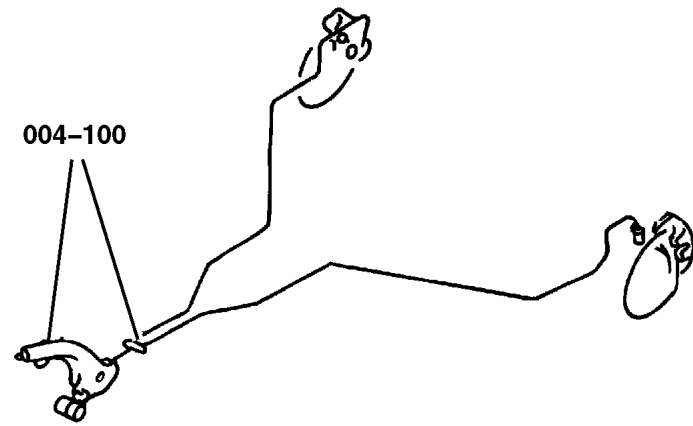
GROUP 4 - Parking Brake


Illustration Title

Group-Fig. No.

Parking Brake Lever and Cables

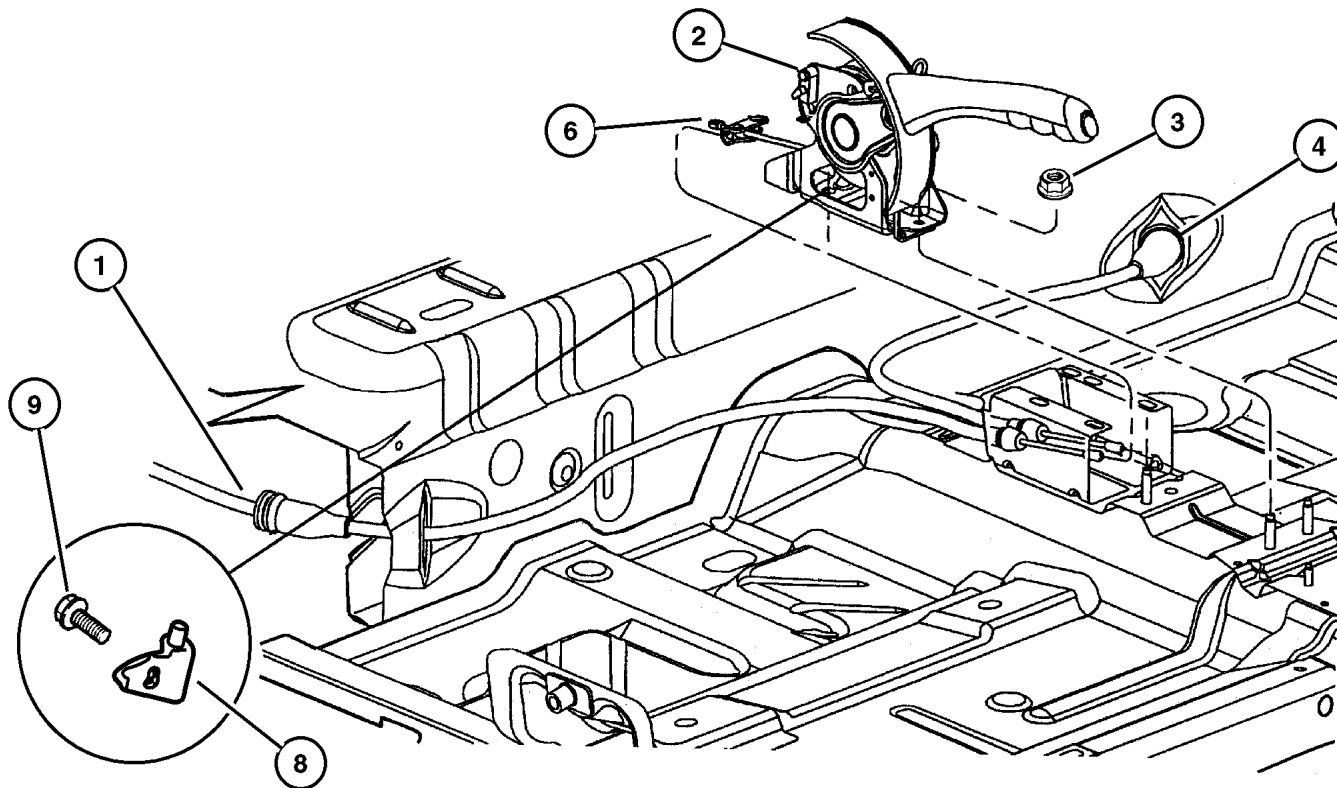
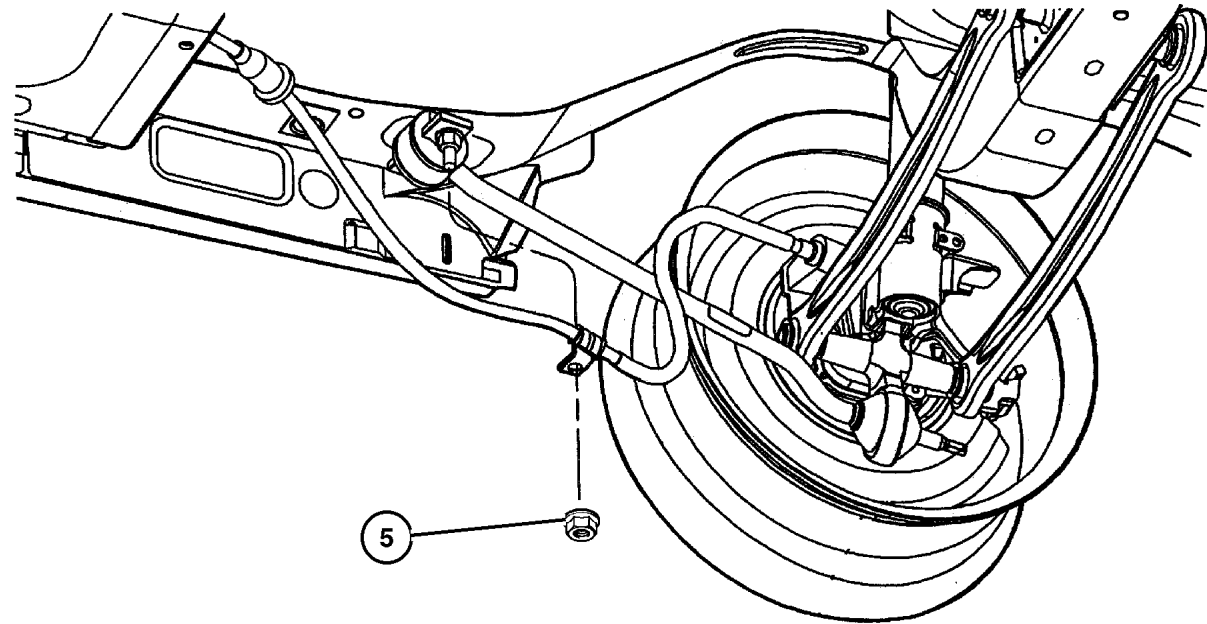
Lever and Cables Fig. 004-105



004-100 Parking Brake Lever and Cables			
			

Lever and Cables
Figure 004-105

ITEM	PART NUMBER	QTY	LINE	BODY	DESCRIPTION
1					CABLE, Parking Brake
	4509 893AD	2			Rear with Drum
	4509 894AD	1			Rear with Disc/Disc with or without ABS, Right
2	4509 778AC	1			LEVER, Park Brake
3	6505 669AA	2			NUT, Hex Flange, M8x1.25
4	4509 895AD	1			CABLE, Parking Brake, Rear with Disc/Disc with or without ABS, Left
5	6502 337	4			NUT, M10x1.5
6					EQUALIZER, Parking Brake Cable, (Service in Lever Assy), (NOT SERVICED)
-7	3420 1686	2			BOLT, Hex Flange Head, M12x1.18x35, Parking Brake Brkt Attach Backing Plate
8	5209 922	1			SWITCH, Parking Brake
9	6101 949	1			SCREW, Park Brake Switch



DODGE - CHRYSLER NEON (PL)

SERIES	LINE	BODY	ENGINE	TRANSMISSION
L=Low Line	Z=Chrysler, RHD	41 = 4 Door,	ECB,EC0=2.0L 4 Cyl., 16V SMPI	DD5=5 Speed Manual
H=High Line	D=Dodge	104WB	ECH,EC0=2.0L 4 Cyl, 16V SOHC	DGC=3 Speed Automatic
	D=Chrysler		EJD,EJ0=1.6L 4 Cyl 16V, SOHC	DGL=4 Speed Automatic
	P=Plymouth		EBD,EB0=1.8L 4 Cyl 16V SEF	DG0=All Automatics
				DBB=All 5 Speed Manual

AR = Use as required - = Non illustrated part # = New this model year

May 2, 2002

Group – 005

Service Brakes

GROUP 5 - Service Brakes

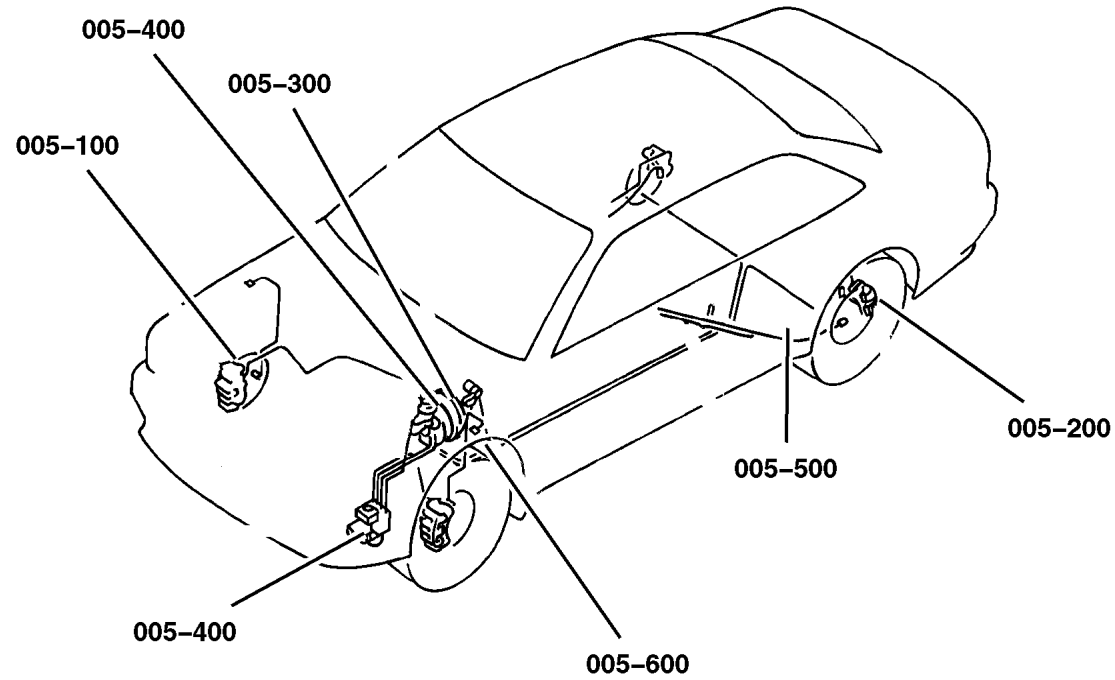


Illustration Title

Group-Fig. No.

Front Brakes

Brakes, Front Fig. 005-105

Rear Brakes

Brakes, Rear Drum Fig. 005-205

Brakes, Rear Disc Fig. 005-207

Power Brake Booster

Booster, Power Brake Fig. 005-305

Brake Master Cylinder

Master Cylinder Fig. 005-405

Anti-Lock Brake Control Fig. 005-410

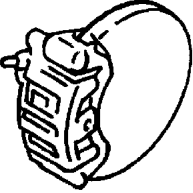
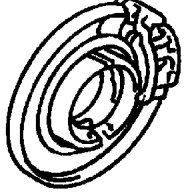
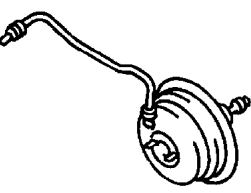
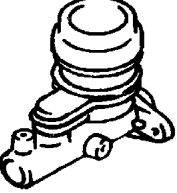
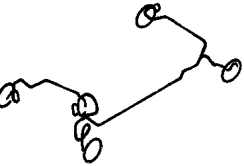

Brake Lines and Hoses

Lines and Hoses, Brake Without Anti-Lock Brakes Fig. 005-505

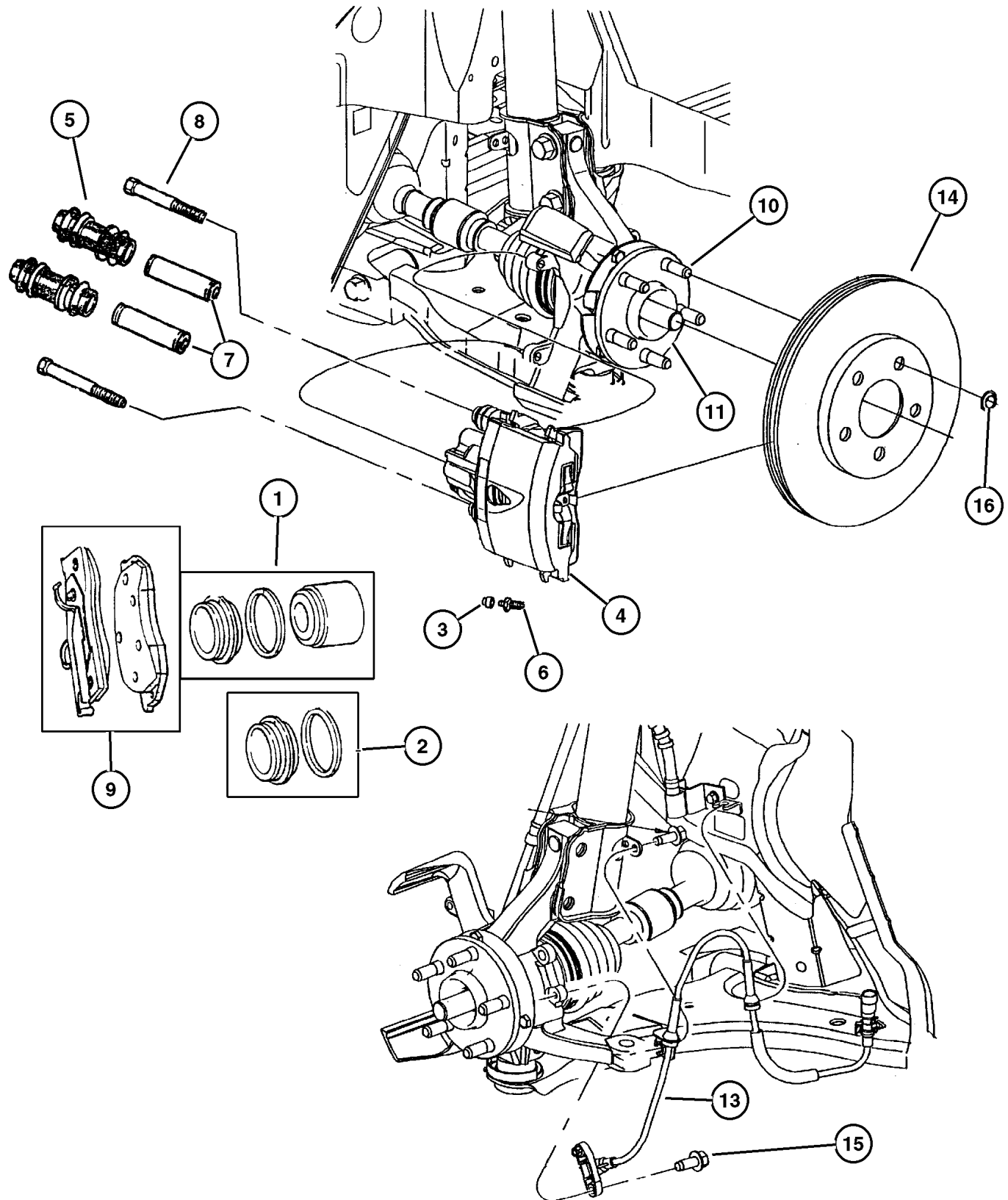
Lines and Hoses, Brake With Anti-Lock Brakes Fig. 005-545

Brake Pedals

Pedal, Brake Fig. 005-605

<p>005-100 Front Brakes</p> 	<p>005-200 Rear Brakes</p> 	<p>005-300 Power Brake Booster</p> 	<p>005-400 Brake Master Cylinder</p> 
<p>005-500 Brake Lines and Hoses</p> 	<p>005-600 Brake Pedals</p> 		

Brakes, Front Figure 005-105



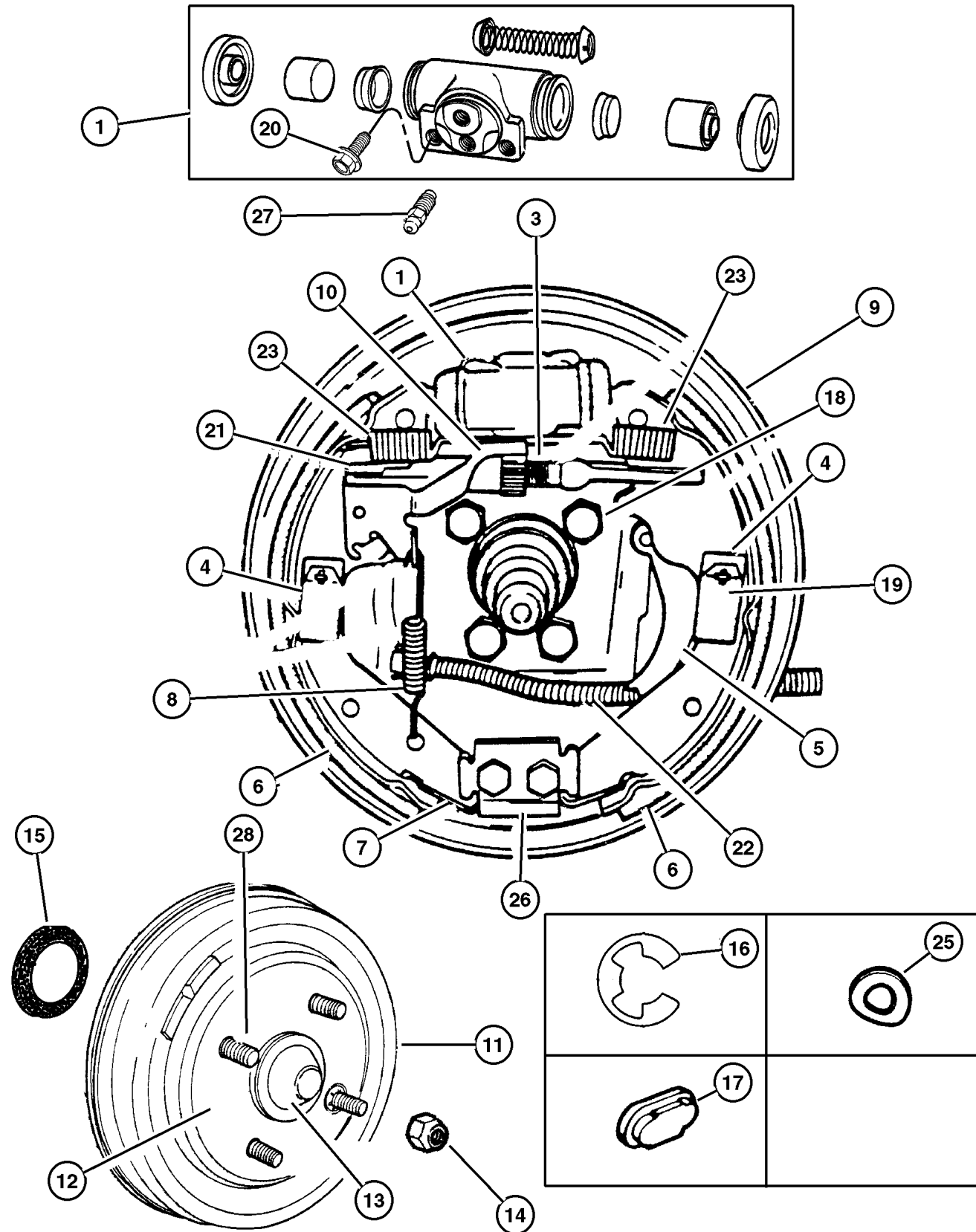
ITEM	PART NUMBER	QTY	LINE	BODY	DESCRIPTION
Note: Sales Codes					
[BRA]=POWER FRONT DISC/REAR DRUM					
[BRD]=4-WHEEL DISC					
[BRF]=ANTI-LOCK 4-WHEEL-DISC					
[BRX]=FRONT DISC/REAR DRUM					
[ACR]=COMPETITION GROUP					
1	4762 551	1			PISTON PACKAGE, Disc Brake
2	4364 779	1			SEAL PACKAGE, Brake Caliper
3					CAP, Bleeder, (NOT SERVICED)
4					CALIPER, Disc Brake
	5014 742AA	1			Hi Performance, Right
	5014 743AA	1			Hi Performance, Left
	#5019 520AA	1			Standard, Right
	#5019 521AA	1			Standard, Left
5	4383 471	1			BUSHING, Disc Brake Caliper
6	5014 431AA	1			SCREW, Bleeder
7	4423 573	1			SLEEVE, Disc Brake Caliper
8	6502 527	4			BOLT, Hex Flange Head, M8-1.25x68.50
9					PAD KIT, Front Disc Brake
	5014 527AA	1			[BRD] [BRX]
		1			[BRF, ACR] Domestic
		1			[BRF] Export
	5014 438AA	1			[BRF] Domestic
		1			[BRA]
10	6506 730AA	5			STUD, Hub
11	4670 292AC	1			HUB, Wheel
-12	4668 442AA	1			BEARING, Wheel
13					SENSOR, Anti-Lock Brakes
	5273 332	1			Right
	5273 333	1			Left
14	5273 038AA	2			ROTOR, Brake
15	3420 1686	2			BOLT, Hex Flange Head, M12x1.18x35
16					NUT, M12, Retainer Front Rotor (For M12 Stud), (NOT SERVICED)

DODGE - CHRYSLER NEON (PL)				
SERIES	LINE	BODY	ENGINE	TRANSMISSION
L=Low Line	Z=Chrysler, RHD	41 = 4 Door,	ECB,EC0=2.0L 4 Cyl., 16V SMPI	DD5=5 Speed Manual
H=High Line	D=Dodge	104WB	ECH,EC0=2.0L 4 Cyl, 16V SOHC	DGC=3 Speed Automatic
	D=Chrysler		EJD,EJ0=1.6L 4 Cyl 16V, SOHC	DGL=4 Speed Automatic
	P=Plymouth		EBD,EB0=1.8L 4 Cyl 16V SEF	DG0=All Automatics
				DBB=All 5 Speed Manual

AR = Use as required - = Non illustrated part # = New this model year

May 2, 2002

Brakes, Rear Drum
Figure 005-205



ITEM	PART NUMBER	QTY	LINE	BODY	DESCRIPTION
1	5014 425AA	1			CYLINDER, Wheel
-2					CAP, Bleeder, (NOT SERVICED)
3	4238 728	1			SOCKET, Brake Adjusting Screw
4	4383 543	1			CLIP, Brake Shoe Hold Down
5					LEVER, Park Brake Adjusting
	4762 530	1			Right
	4762 531	1			Left
6	4762 537	1			SHOE KIT, Brake
7	#4238 730	1			SPRING, Brake Shoe Return
8	#4238 851	1			SPRING, Brake Auto Adjuster Lever
9					PLATE, Brake Backing
	5014 928AA	1			Right
	5014 929AA	1			Left
10					LEVER, Park Brake Adjusting
	5014 996AA	1			Right
	5014 997AA	1			Left
11	5273 983	2			DRUM, Brake
12					HUB AND BEARING, Brake
	4509 766	2			Right
	4509 767	2			Left
13	4509 396	2			CAP, Wheel Bearing
14					NUT, Wheel Chrome, M12x1.5
	6502 738	20			Standard
	6504 266	20			
15	4509 544	2			SEAL, Brake Support
16	#4238 716	1			CLIP, Parking Brake Pin Lever
17	4238 721	1			PLUG, Brake Adjusting Hole
18	6503 579	8			BOLT AND CONED WASHER, Hex Head, M10x1.5x30
19	4762 536	1			PIN, Brake Shoe Hold Down
20					BOLT, Wheel Cylinder, (NOT SERVICED)
21					ADJUSTER, Parking Brake
	4762 534	1			Right
	4762 535	1			Left
22	4509 893AD	2			CABLE, Parking Brake
23	5015 004AA	1			SPRING, Brake Shoe Return
-24					NUT, Push Rear Drum Retainer for M12 Stud , (NOT SERVICED)
25	#4238 715	1			WASHER
26					PLATE, Anchor (Service in Backing Plate) , (NOT SERVICED)
27	5014 431AA	1			SCREW, Bleeder
28	4746 174	2			STUD, Wheel

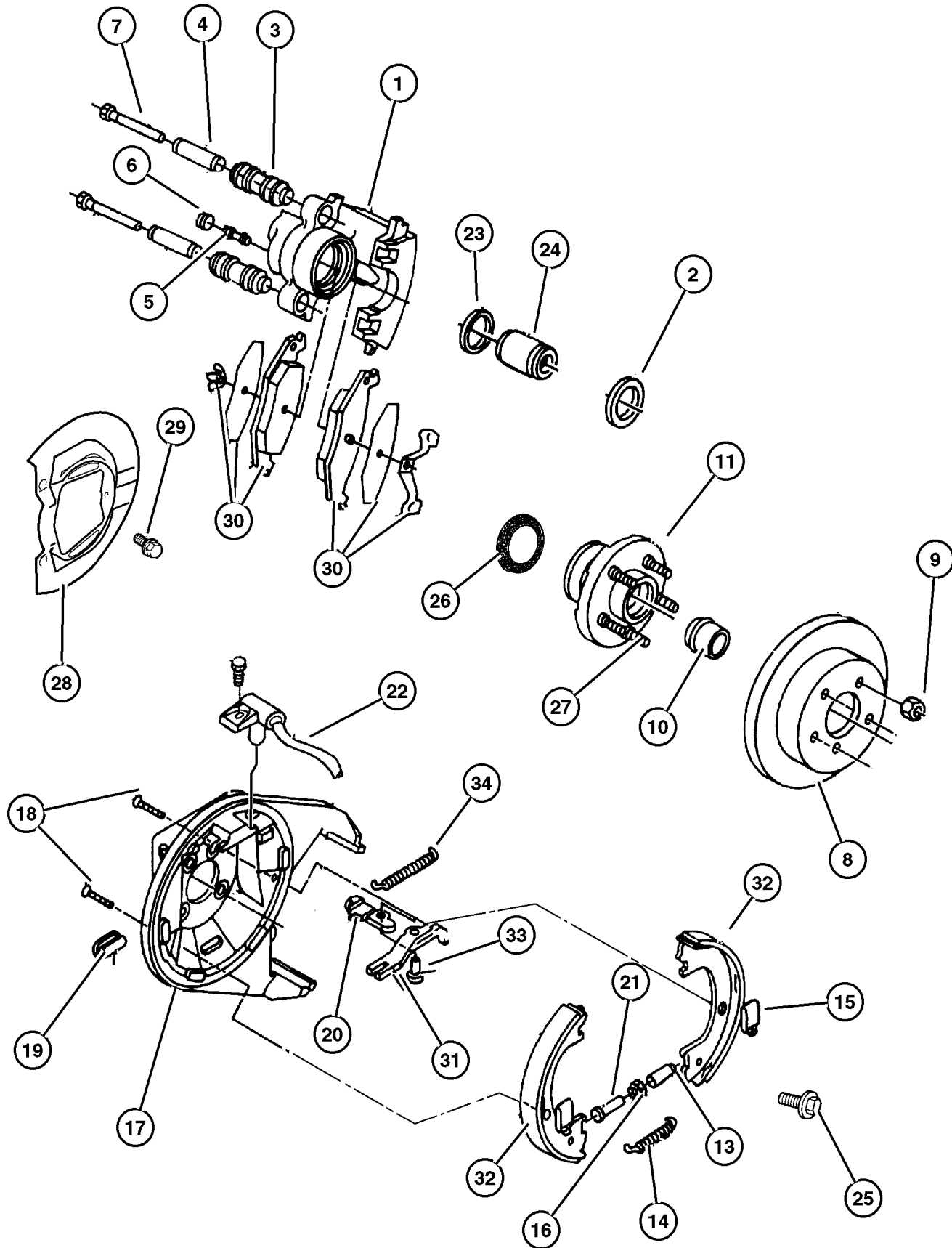
DODGE - CHRYSLER NEON (PL)

SERIES	LINE	BODY	ENGINE	TRANSMISSION
L=Low Line	Z=Chrysler, RHD	41 = 4 Door,	ECB,EC0=2.0L 4 Cyl., 16V SMPI	DD5=5 Speed Manual
H=High Line	D=Dodge	104WB	ECH,EC0=2.0L 4 Cyl, 16V SOHC	DGC=3 Speed Automatic
	D=Chrysler		EJD,EJ0=1.6L 4 Cyl 16V, SOHC	DGL=4 Speed Automatic
	P=Plymouth		EBD,EB0=1.8L 4 Cyl 16V SEF	DG0=All Automatics
				DBB=All 5 Speed Manual

AR = Use as required - = Non illustrated part # = New this model year

May 2, 2002

Brakes, Rear Disc
Figure 005-207



ITEM	PART NUMBER	QTY	LINE	BODY	DESCRIPTION
1					CALIPER, Disc Brake
	5014 784AA	1			Right
	5014 785AA	1			Left
2	4383 879	1			BOOT, Brake Piston
3	4383 471	1			BUSHING, Disc Brake Caliper
4	4423 573	1			SLEEVE, Disc Brake Caliper
5	5014 431AA	1			SCREW, Bleeder
6					CAP, Bleeder, (NOT SERVICED)
7	6502 527	4			BOLT, Hex Flange Head, M8-1.25x68.50
8	4509 553AB	2			ROTOR, Brake
9					NUT, Wheel Chrome, M12x1.5
	6502 738	20			w/Style Wheels
	6504 266	20			w/Wheel Covers
10	4509 396	2			CAP, Wheel Bearing
11					HUB AND BEARING, Brake
	4509 766	2			w/o ABS
	4509 767	2			w/ABS
-12	6502 432	2			LOCK NUT, Rear Spindle, M20-1.50
13	4509 504	1			SOCKET, Brake Adjusting Screw
14	4383 541	1			SPRING, Park Brake Shoe Return, Lower
15	4383 543	1			CLIP, Brake Shoe Hold Down
16	4383 539	1			NUT, Parking Brake Adjusting
17					ADAPTER, Disc Brake Caliper
	4762 684	1			Right
	4762 685	1			Left
18	4238 733	1			PIN, Brake Shoe Hold Down
19	4238 721	1			PLUG, Brake Adjusting Hole
20					LEVER, Park Brake Adjusting
	4882 208	1			Without ABS Left Hand Drive, Right
	4882 209	1			Without ABS Right Hand Drive, Left
	#5073 645AA	1			Right Hand Drive Parking Brake
	#5073 648AA	1			Left Hand Drive Parking Brake
21	4509 503	1			SCREW, Parking Brake
22					SENSOR, Anti-Lock Brakes
	5273 330	1			Right
	5273 331	1			Left
23	4383 880	1			SEAL, Caliper Piston
24	4383 878	1			PISTON, Brake
25	6503 579	8			BOLT AND CONED WASHER, Hex Head, M10x1.5x30
26	4509 544	2			SEAL, Brake Support
27	4746 174	2			STUD, Wheel
28					SHIELD, Brake
	4728 110	1			Right

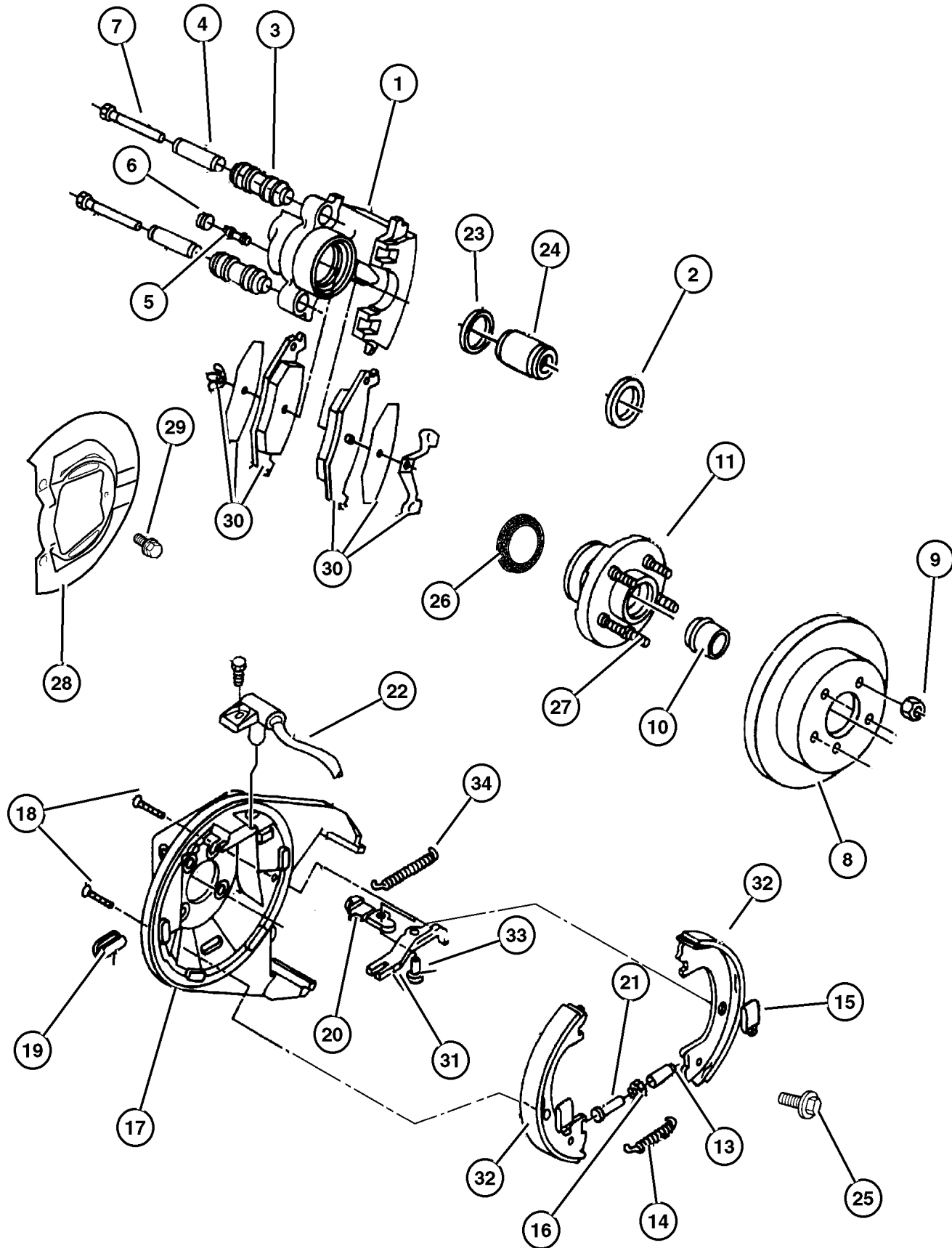
DODGE - CHRYSLER NEON (PL)

SERIES	LINE	BODY	ENGINE	TRANSMISSION
L=Low Line	Z=Chrysler, RHD	41 = 4 Door,	ECB,EC0=2.0L 4 Cyl., 16V SMPI	DD5=5 Speed Manual
H=High Line	D=Dodge	104WB	ECH,EC0=2.0L 4 Cyl, 16V SOHC	DGC=3 Speed Automatic
	D=Chrysler		EJD,EJ0=1.6L 4 Cyl 16V, SOHC	DGL=4 Speed Automatic
	P=Plymouth		EBD,EB0=1.8L 4 Cyl 16V SEF	DG0=All Automatics
				DBB=All 5 Speed Manual

AR = Use as required - = Non illustrated part # = New this model year

May 2, 2002

Brakes, Rear Disc
Figure 005-207



ITEM	PART NUMBER	QTY	LINE	BODY	DESCRIPTION
	4728 111	1			Left
29	4723 981	1			SCREW, Rear Brake Dust Shield to Adapter
30	5011 630AA	1			PAD, Disc Brake
31					LINK, Brake Cylinder, Service with Lever, (NOT SERVICED)
32	4741 772	1			SHOE AND LINING, parking Brake
33					PIN, Service with Lever, (NOT SERVICED)
34	5014 930AA	1			SPRING, Park Brake Shoe Return, Upper

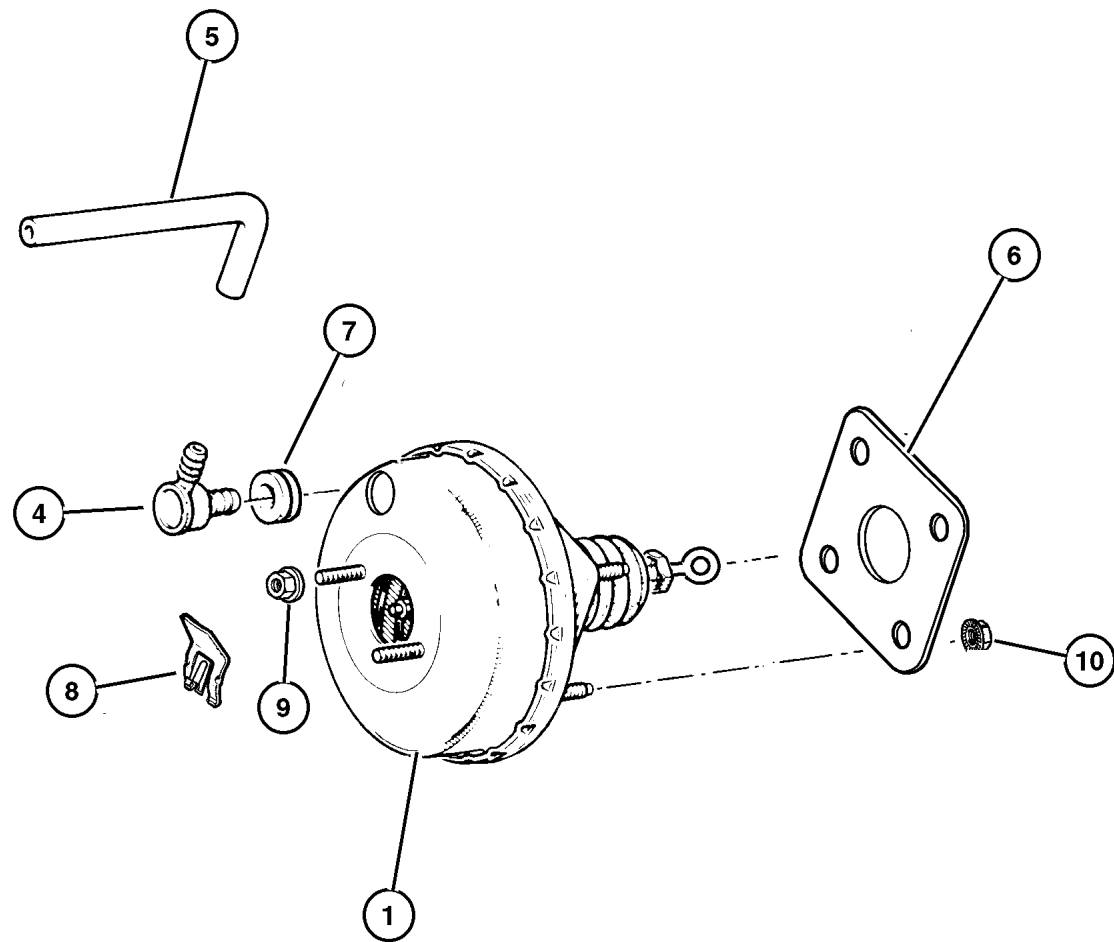
DODGE - CHRYSLER NEON (PL)				
SERIES	LINE	BODY	ENGINE	TRANSMISSION
L=Low Line	Z=Chrysler, RHD	41 = 4 Door,	ECB,EC0=2.0L 4 Cyl., 16V SMPI	DD5=5 Speed Manual
H=High Line	D=Dodge	104WB	ECH,EC0=2.0L 4 Cyl, 16V SOHC	DGC=3 Speed Automatic
	D=Chrysler		EJD,EJ0=1.6L 4 Cyl 16V, SOHC	DGL=4 Speed Automatic
	P=Plymouth		EBD,EB0=1.8L 4 Cyl 16V SEF	DG0=All Automatics
				DBB=All 5 Speed Manual

AR = Use as required - = Non illustrated part # = New this model year

May 2, 2002

**Booster, Power Brake
Figure 005-305**

ITEM	PART NUMBER	QTY	LINE	BODY	DESCRIPTION
1	5015 157AA	1	D, P		BOOSTER, Power Brake
-2					CONNECTOR, Brake Booster Vacuum, (NOT REQUIRED)
-3					CONNECTOR, Manifold Vacuum, (NOT REQUIRED)
4	4796 355	1			VALVE, Brake Booster Check
5	4509 816	1	D, P		HOSE, Brake Booster
6	3699 447	1	D, P		GASKET, Booster To Dash
7	4883 813AA	1			GROMMET, Brake Booster Check Valve
8	6035 334	1			CLIP, Brake Push Rod
9	6502 524	1	D, P		NUT, Hex Lock, M8x1.25
10	6101 445	1			NUT AND WASHER, Hex Nut-Coned Washer, M8 x 1.25

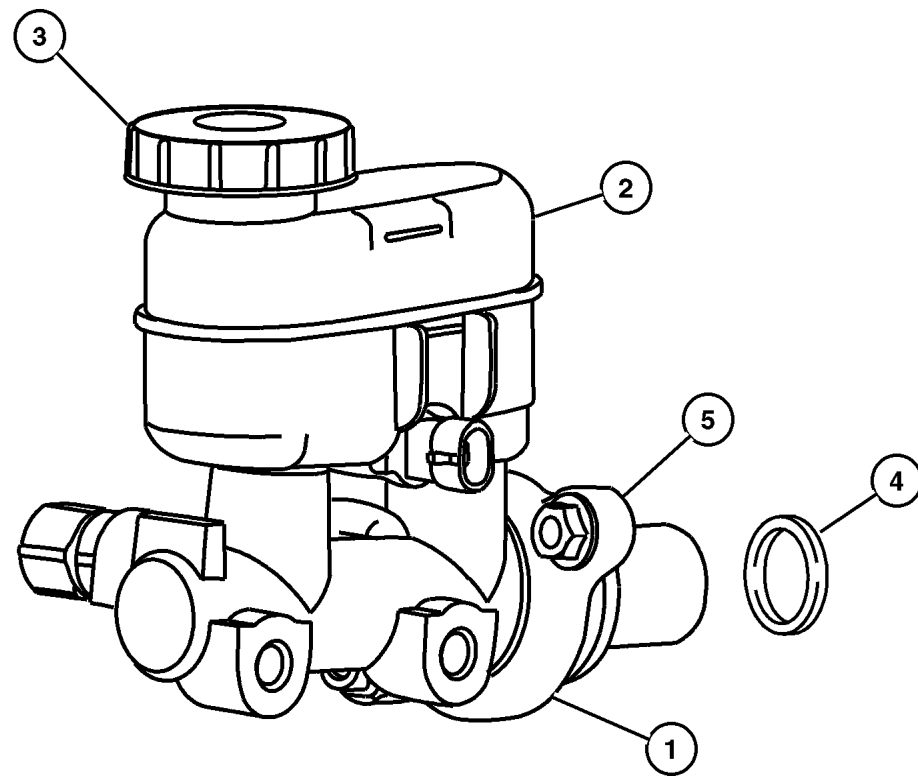


DODGE - CHRYSLER NEON (PL)				
SERIES	LINE	BODY	ENGINE	TRANSMISSION
L=Low Line	Z=Chrysler, RHD	41 = 4 Door,	ECB,EC0=2.0L 4 Cyl., 16V SMPI	DD5=5 Speed Manual
H=High Line	D=Dodge	104WB	ECH,EC0=2.0L 4 Cyl, 16V SOHC	DGC=3 Speed Automatic
	D=Chrysler		EJD,EJ0=1.6L 4 Cyl 16V, SOHC	DGL=4 Speed Automatic
	P=Plymouth		EBD,EB0=1.8L 4 Cyl 16V SEF	DG0=All Automatics
				DBB=All 5 Speed Manual

AR = Use as required - = Non illustrated part # = New this model year

May 2, 2002

**Master Cylinder
Figure 005-405**



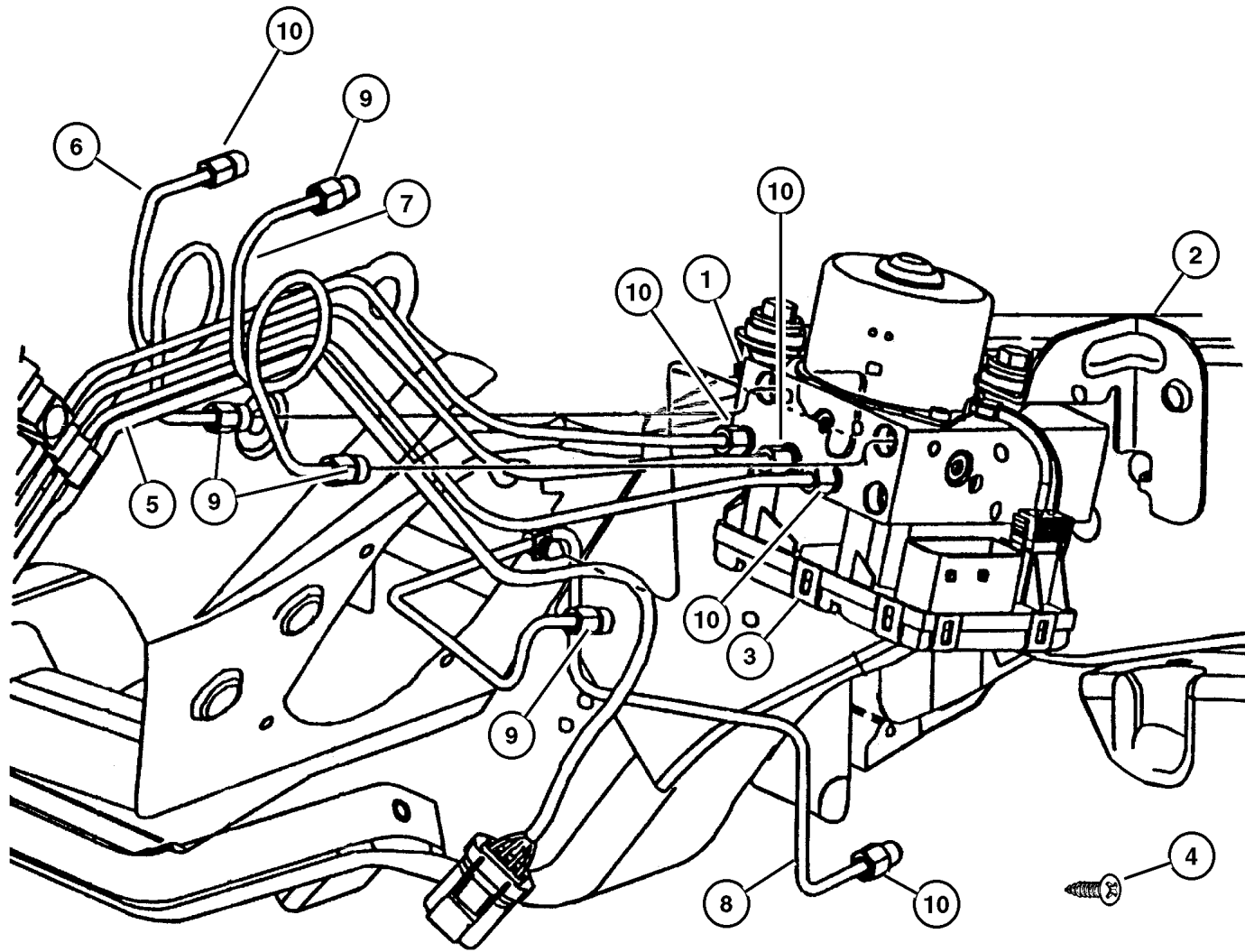
ITEM	PART NUMBER	QTY	LINE	BODY	DESCRIPTION
NOTE: Sales Codes					
[BRA]=POWER FRONT DISC/REAR DRUM					
[BRD]= 4-WHEEL DISC					
[BRF]=ANTI-LOCK 4-WHEEL-DISC					
[BRX]= FRONT DISC/REAR DRUM					
1					MASTER CYLINDER, Brake
	5015 149AA	1	D, P		[BRA]
	5015 159AA	1			[BRX]
	5069 001AA	1	D, P		[BRD]
	5015 160AA	1			[BRF]
	5015 224AA	1			[BRF] Export
2	5015 150AA	1			RESERVOIR, Brake Master Cylinder
3	4683 656	1			CAP, Master Cylinder Reservoir
4	4723 395	1			SEAL, Master Cylinder To Booster
5	6502 524	1	D, P		NUT, Hex Lock, M8x1.25
-6	4883 813AA	1			GROMMET, Brake Booster Check Valve, also M/Cylinder to Reservoir

DODGE - CHRYSLER NEON (PL)				
SERIES	LINE	BODY	ENGINE	TRANSMISSION
L=Low Line	Z=Chrysler, RHD	41 = 4 Door,	ECB,EC0=2.0L 4 Cyl., 16V SMPI	DD5=5 Speed Manual
H=High Line	D=Dodge	104WB	ECH,EC0=2.0L 4 Cyl, 16V SOHC	DGC=3 Speed Automatic
	D=Chrysler		EJD,EJ0=1.6L 4 Cyl 16V, SOHC	DGL=4 Speed Automatic
	P=Plymouth		EBD,EB0=1.8L 4 Cyl 16V SEF	DG0=All Automatics
				DBB=All 5 Speed Manual

AR = Use as required - = Non illustrated part # = New this model year

May 2, 2002

**Anti-Lock Brake Control
Figure 005-410**



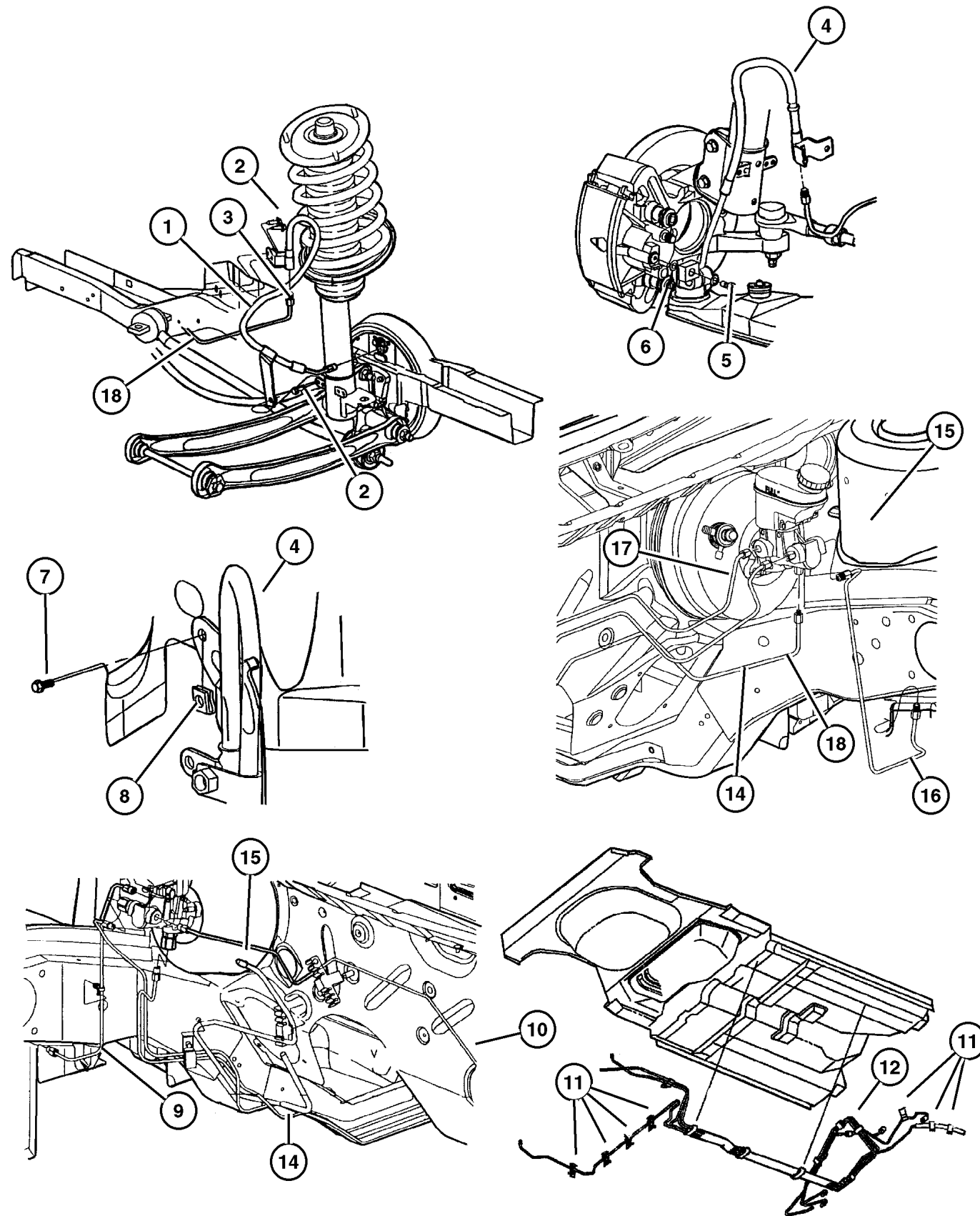
ITEM	PART NUMBER	QTY	LINE	BODY	DESCRIPTION
1	5014 869AA	1			HYDRAULIC CONTROL UNIT, Anti-Lock Brake System
2	5014 870AA	1			BRACKET, Brake Control Unit
3	#5014 871AB	1			MODULE, Anti-Lock Brake System
4	6102 150AA	3			SCREW, Tapping, Intergrated Control Unit Attaching M8x1.25x30.00
5					TUBE, Convoluted
	4364 375	1	Z		Brake Tube
		1	D, P		Brake Tube
6					TUBE, Brake
	4509 780AB	1	D, P		Master Cylinder to Hydraulic Control Unit, Primary
	4509 834AB	1	Z		Master Cylinder to Hydraulic Control Unit, Primary
7					TUBE, Brake
	4509 776AC	1	D, P		Master Cylinder to Hydraulic Control Unit, Secondary
	4509 825AC	1	Z		Master Cylinder to Hydraulic Control Unit, Secondary
8	4509 781AD	1			TUBE, Brake, Front ABS to Brake Hose
9					NUT
	6036 126AA	1	D, P		.437-24x.825
		1	Z		.437-24x.825
10					NUT
	6036 125AA	3	D, P		.375-x24x850
		3	Z		.375-x24x850

DODGE - CHRYSLER NEON (PL)				
SERIES	LINE	BODY	ENGINE	TRANSMISSION
L=Low Line	Z=Chrysler, RHD	41 = 4 Door,	ECB,EC0=2.0L 4 Cyl., 16V SMPI	DD5=5 Speed Manual
H=High Line	D=Dodge	104WB	ECH,EC0=2.0L 4 Cyl, 16V SOHC	DGC=3 Speed Automatic
	D=Chrysler		EJD,EJ0=1.6L 4 Cyl 16V, SOHC	DGL=4 Speed Automatic
	P=Plymouth		EBD,EB0=1.8L 4 Cyl 16V SEF	DG0=All Automatics
				DBB=All 5 Speed Manual

AR = Use as required - = Non illustrated part # = New this model year

May 2, 2002

**Lines and Hoses, Brake Without Anti-Lock Brakes
Figure 005-505**



ITEM	PART NUMBER	QTY	LINE	BODY	DESCRIPTION
1					HOSE, Brake
	4509 802AB	1			Right Rear,Drum
	4509 803AB	1			Left Rear,Drum
	4509 808AB	1			Right Rear,Disc
	4509 809AB	1			Left Rear,Disc
2	6505 344AA	4			SCREW, Hex Flange Head Tapping, M6.3 x 1.81 x 20.00
3					NUT
	6036 125AA	3	D, P		.375-24x.85
		3	Z		.375-24x.85
	6036 126AA	1	D, P		.437-24x.825
		1	Z		.437-24x.825
	6036 157AA	2	D, P		.437-24x0.85
		2	Z		.437-24x0.85
4					HOSE, Brake
	4509 794AB	1			Right Front,Disc
	4509 795AB	1			Left Front,Disc
5	6505 801AA	2			SCREW, Hex Head
6	6502 114	4			WASHER, Brake Hose
7	3420 1686	2			BOLT, Hex Flange Head, M12x1.18x35
8	6101 712	2			NUT, U, M6x1
9	4509 856AC	1	Z		TUBE, Brake, Master Cylinder to Brake Hose, Right Front
10	4509 847AD	1	Z		TUBE, Brake, Master Cylinder to Brake Hose, Left Front
11					CLIP, Fuel Tube
	4495 636	4	D, P		Rail/Pick up 2-Tubes
		4	Z		Rail/Pick up 2-Tubes
	5278 496AB	1	D, P		Dash 1-Tube
	5278 182AB	1	D, P		Dash 4-Tubes
	5278 179AB	1	D, P		Dash 7-Tubes
		1	Z		Dash 7-Tubes
	5278 180AC	4	D, P		U/Body 5-Tubes
		4	Z		U/Body 5-Tubes
	5278 181AA	2	D, P		Rear Rail 3-Tubes
		2	Z		Rear Rail 3-Tubes
12					TUBE, Convoluted
	4364 375	1	Z		Front Brake, Rear Brake, Right And Left
		1	D, P		Front Brake, Rear Brake
-13					VALVE, Proportioning
	5015 181AA	2	D, P		
	5015 182AA	2			Export
14	4364 375	1	Z		TUBE, Convoluted
15	6036 126AA	1	D, P		NUT
16	4509 779AC	1	D, P		TUBE, Brake, Master Cylinder to Brake Hose, Left Front

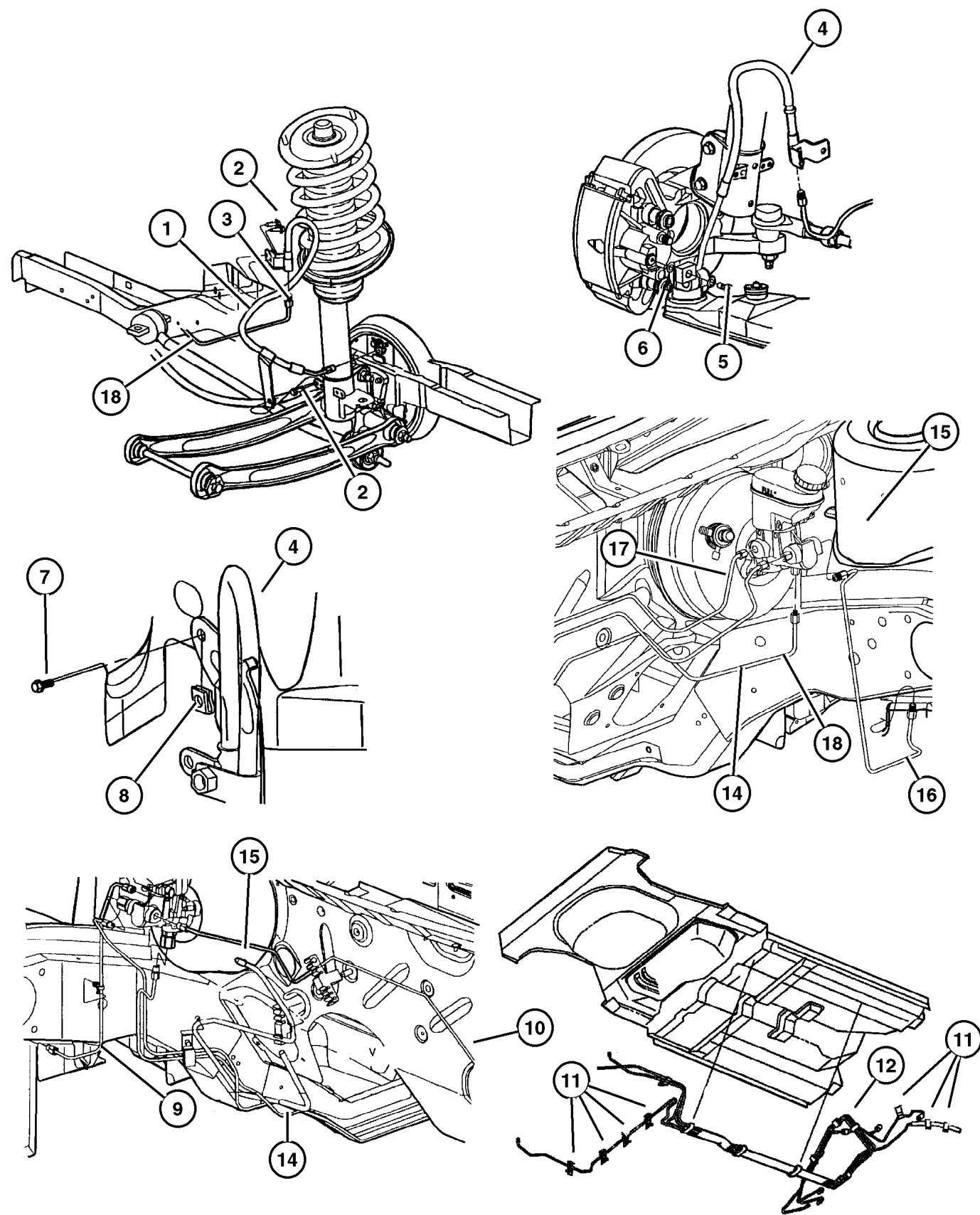
DODGE - CHRYSLER NEON (PL)

SERIES	LINE	BODY	ENGINE	TRANSMISSION
L=Low Line	Z=Chrysler, RHD	41 = 4 Door,	ECB,EC0=2.0L 4 Cyl., 16V SMPI	DD5=5 Speed Manual
H=High Line	D=Dodge	104WB	ECH,EC0=2.0L 4 Cyl, 16V SOHC	DGC=3 Speed Automatic
	D=Chrysler		EJD,EJ0=1.6L 4 Cyl 16V, SOHC	DGL=4 Speed Automatic
	P=Plymouth		EBD,EB0=1.8L 4 Cyl 16V SEF	DG0=All Automatics
				DBB=All 5 Speed Manual

AR = Use as required - = Non illustrated part # = New this model year

May 2, 2002

Lines and Hoses, Brake Without Anti-Lock Brakes Figure 005-505



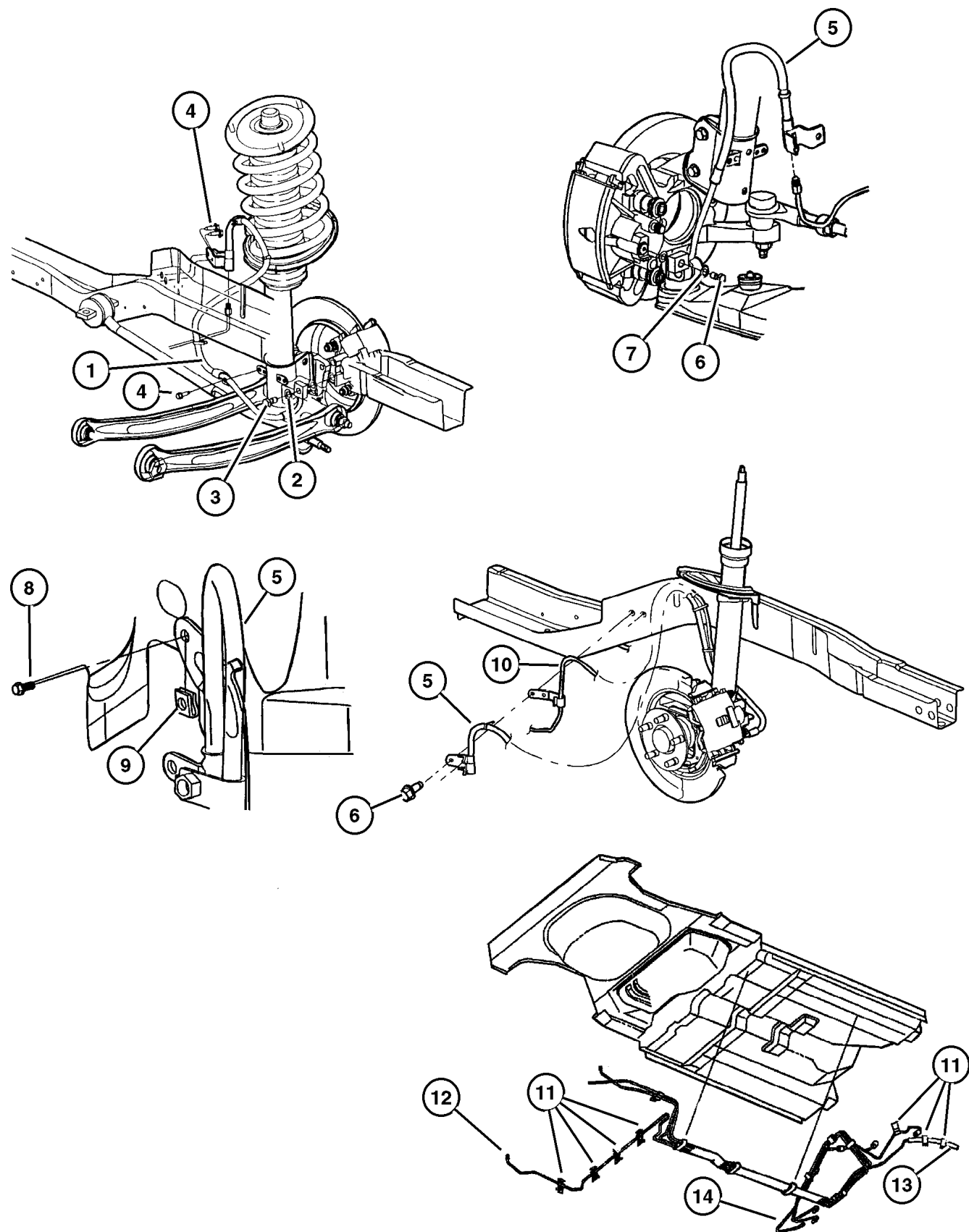
ITEM	PART NUMBER	QTY	LINE	BODY	DESCRIPTION
17	5066 871AA	1	D, P		TUBE, Brake, Rt Front
18	5066 872AA	1	D, P		TUBE, Brake, Rt Rear
-19	5066 873AA	1	D, P		TUBE, Brake, Lt Rear

DODGE - CHRYSLER NEON (PL)				
SERIES	LINE	BODY	ENGINE	TRANSMISSION
L=Low Line	Z=Chrysler, RHD	41 = 4 Door,	ECB,EC0=2.0L 4 Cyl., 16V SMPI	DD5=5 Speed Manual
H=High Line	D=Dodge	104WB	ECH,EC0=2.0L 4 Cyl, 16V SOHC	DGC=3 Speed Automatic
	D=Chrysler		EJD,EJ0=1.6L 4 Cyl 16V, SOHC	DGL=4 Speed Automatic
	P=Plymouth		EBD,EB0=1.8L 4 Cyl 16V SEF	DG0=All Automatics
				DBB=All 5 Speed Manual

AR = Use as required - = Non illustrated part # = New this model year

May 2, 2002

Lines and Hoses, Brake With Anti-Lock Brakes
Figure 005-545



ITEM	PART NUMBER	QTY	LINE	BODY	DESCRIPTION
1					HOSE, Brake
	4509 808AB	1			Right Rear
	4509 809AB	1			Left Rear
2	6502 114	4			WASHER, Brake Hose
3	6505 801AA	2			SCREW, Hex Head
4	6505 344AA	4			SCREW, Hex Flange Head Tapping, M6.3 x 1.81 x 20.00
5					HOSE, Brake
	4860 044AB	1			Right Front
	4860 045AB	1			Left Front
6	6505 801AA	2			SCREW, Hex Head
7	6502 114	4			WASHER, Brake Hose
8	3420 1686	2			BOLT, Hex Flange Head, M12x1.18x35
9	6101 712	2			NUT, U, M6x1
10					SENSOR, Anti-Lock Brakes
	5273 330	1			Rear, Right
	5273 331	1			Rear, Left
11					CLIP, Fuel Tube
	4495 636	4	D, P		Rail/Pickup 2-Tubes
	5278 179AB	1	D, P		Dash 7-Tubes
		1	Z		Dash 7-Tubes
	5278 180AC	4	D, P		U/Body 5-Tubes
		4	Z		U/Body 5-Tubes
	5278 181AA	2	D, P		Rear Rail 3-Tubes
		2	Z		Rear Rail 3-Tubes
	5278 182AB	1	D, P		Dash 4-Tubes
	5278 218AB	1	Z		Dash 4-Tubes
	5278 496AB	1	D, P		Dash 1-Tube
	4495 636	4	Z		Rail/Pickup 2-Tubes
12	5066 868AA	1	D, P		TUBE, Brake, Rt Front
13	5066 869AA	1	D, P		TUBE, Brake, Rt Rear
14	5066 870AA	1	D, P		TUBE, Brake, Lt Rear

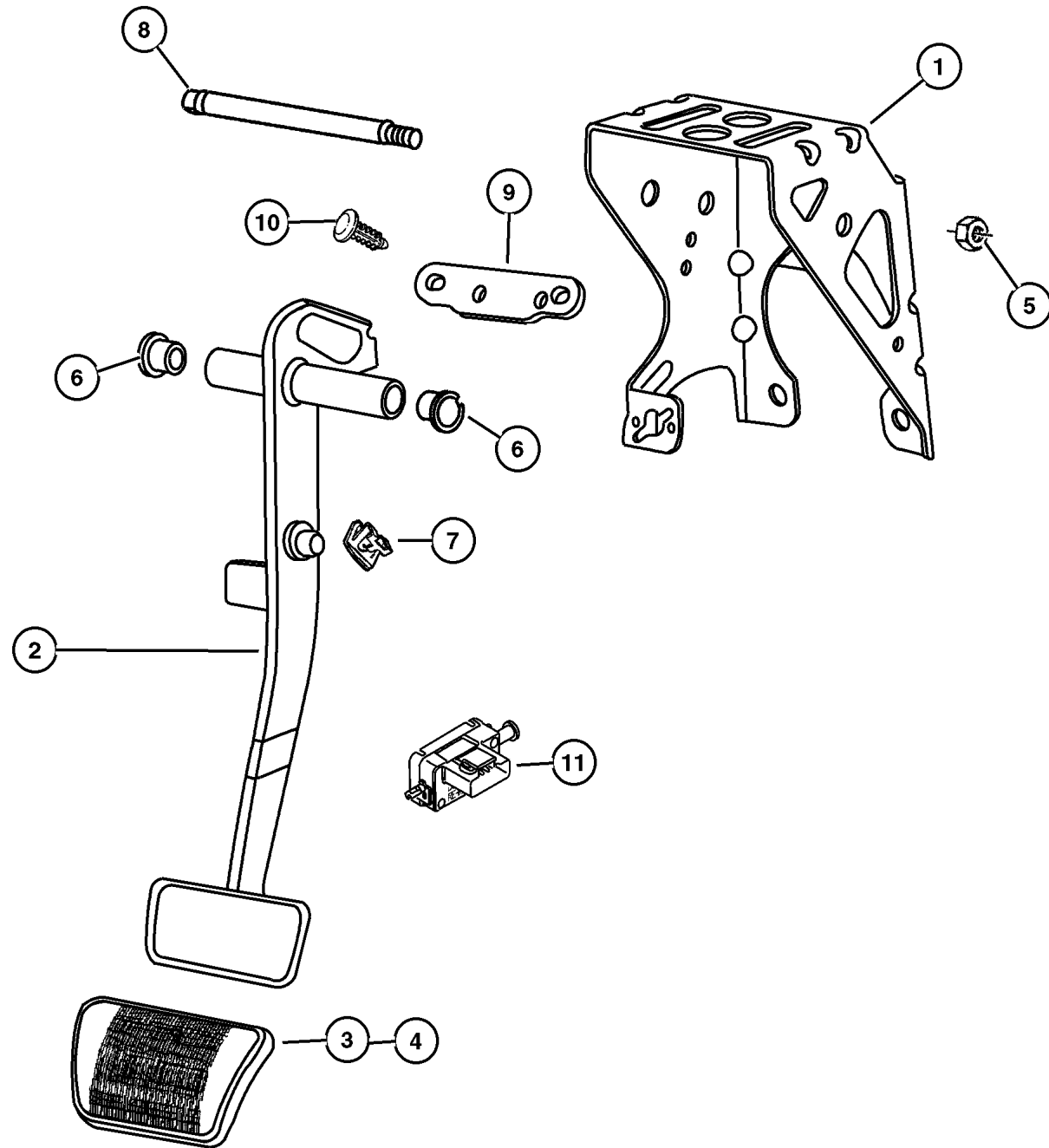
DODGE - CHRYSLER NEON (PL)

SERIES	LINE	BODY	ENGINE	TRANSMISSION
L=Low Line	Z=Chrysler, RHD	41 = 4 Door,	ECB,EC0=2.0L 4 Cyl., 16V SMPI	DD5=5 Speed Manual
H=High Line	D=Dodge	104WB	ECH,EC0=2.0L 4 Cyl, 16V SOHC	DGC=3 Speed Automatic
	D=Chrysler		EJD,EJ0=1.6L 4 Cyl 16V, SOHC	DGL=4 Speed Automatic
	P=Plymouth		EBD,EB0=1.8L 4 Cyl 16V SEF	DG0=All Automatics
				DBB=All 5 Speed Manual

AR = Use as required - = Non illustrated part # = New this model year

May 2, 2002

**Pedal, Brake
Figure 005-605**



ITEM	PART NUMBER	QTY	LINE	BODY	DESCRIPTION
1	5273 102AA	1	D, P		BRACKET, Brake Pedal
2					PEDAL, Brake
	4509 770	1	D, P		Manual Transmission
	4509 772	1	D, P		Automatic Transmission
	#4509 846AA	1	Z		Manual Transmission
	4509 843AA	1	Z		Automatic Transmission
3					PAD, Pedal
	4779 027	1	D, P		Automatic Transmission
		1	Z		Automatic Transmission
4					PAD, clutch
	4683 021	1	D, P		Also Brake Pad, Manual Transmission
		1	Z		Also Brake Pad, Manual Transmission
5					NUT, M10x1.5
	6500 197	1	D, P		
		1	Z		
6					BUSHING, Pedal Shaft
	2467 770	4	D, P		Manual Transmission
		2	D, P		Automatic Transmission
		2	Z		Automatic Transmission
		4	Z		Manual Transmission
7	6035 334	1			CLIP, Brake Push Rod
8					SHAFT, Brake Pedal Pivot
	5273 101AA	1	D, P		Manual Transmission
	4683 022	1	D, P		Automatic Transmission
		1	Z		Automatic Transmission
	#4860 014AA	1	Z		Manual Transmission
9					BRACKET, Brake Pedal
	4860 035AA	1	D, P		
		1	Z		
10					PIN, Push, M8.6x19
	6504 043	2	D, P		
		1	Z		
11	56045 043AE	1			SWITCH, Stop Lamp

DODGE - CHRYSLER NEON (PL)

SERIES	LINE	BODY	ENGINE	TRANSMISSION
L=Low Line	Z=Chrysler, RHD	41 = 4 Door,	ECB,EC0=2.0L 4 Cyl., 16V SMPI	DD5=5 Speed Manual
H=High Line	D=Dodge	104WB	ECH,EC0=2.0L 4 Cyl, 16V SOHC	DGC=3 Speed Automatic
	D=Chrysler		EJD,EJ0=1.6L 4 Cyl 16V, SOHC	DGL=4 Speed Automatic
	P=Plymouth		EBD,EB0=1.8L 4 Cyl 16V SEF	DG0=All Automatics
				DBB=All 5 Speed Manual

AR = Use as required - = Non illustrated part # = New this model year

May 2, 2002

Group – 006

Clutch

GROUP 6 - Clutch

Illustration Title

Group-Fig. No.

Clutch

Clutch and Disc Fig. 006-110

Clutch Housing

Housing, Clutch and Mounting Bolts, (DD5) Fig. 006-210

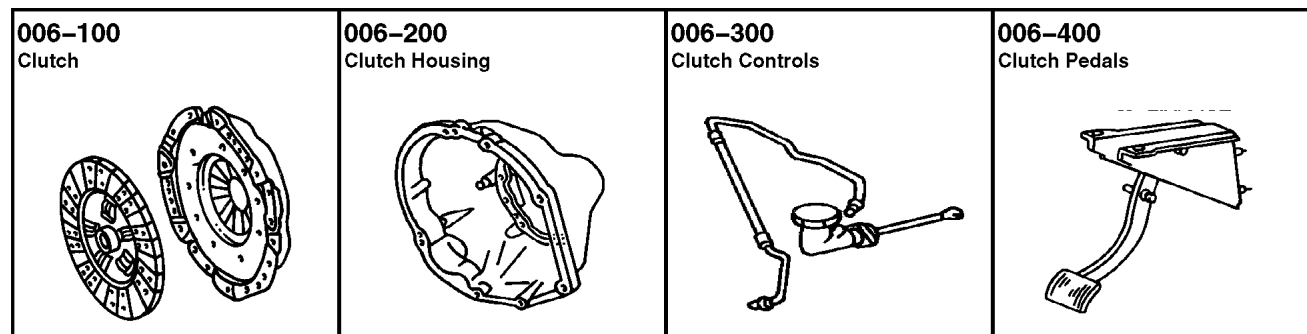
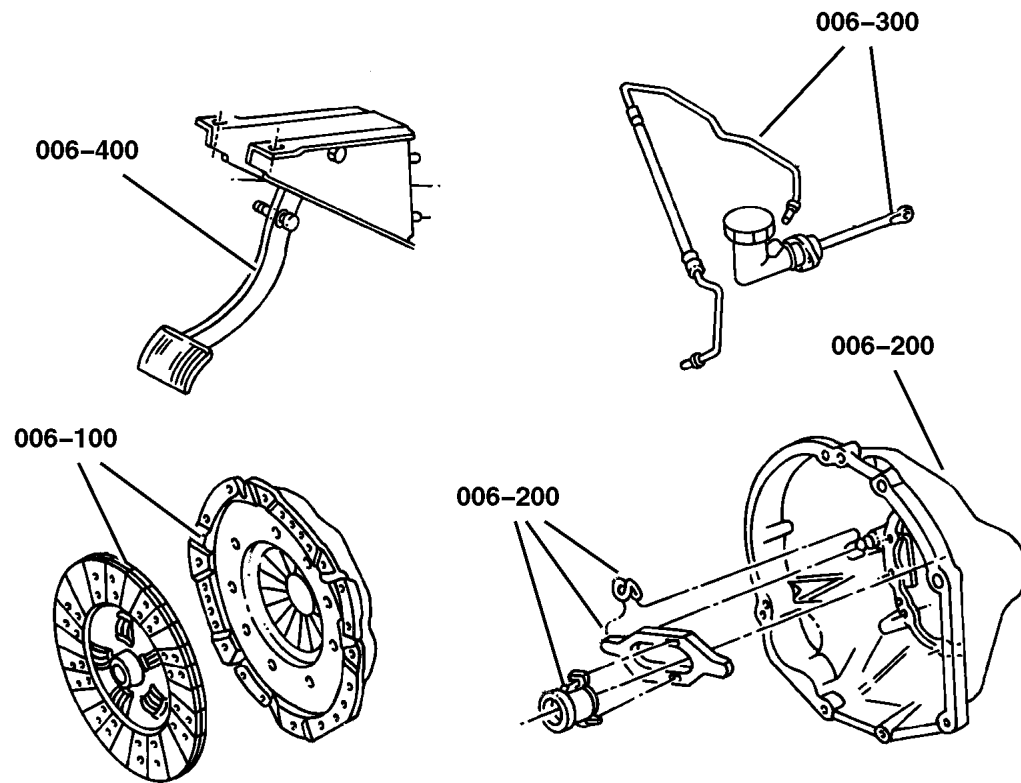
Clutch Controls

Controls, Release Fork & Bearing, Hydraulic Clutch Fig. 006-312

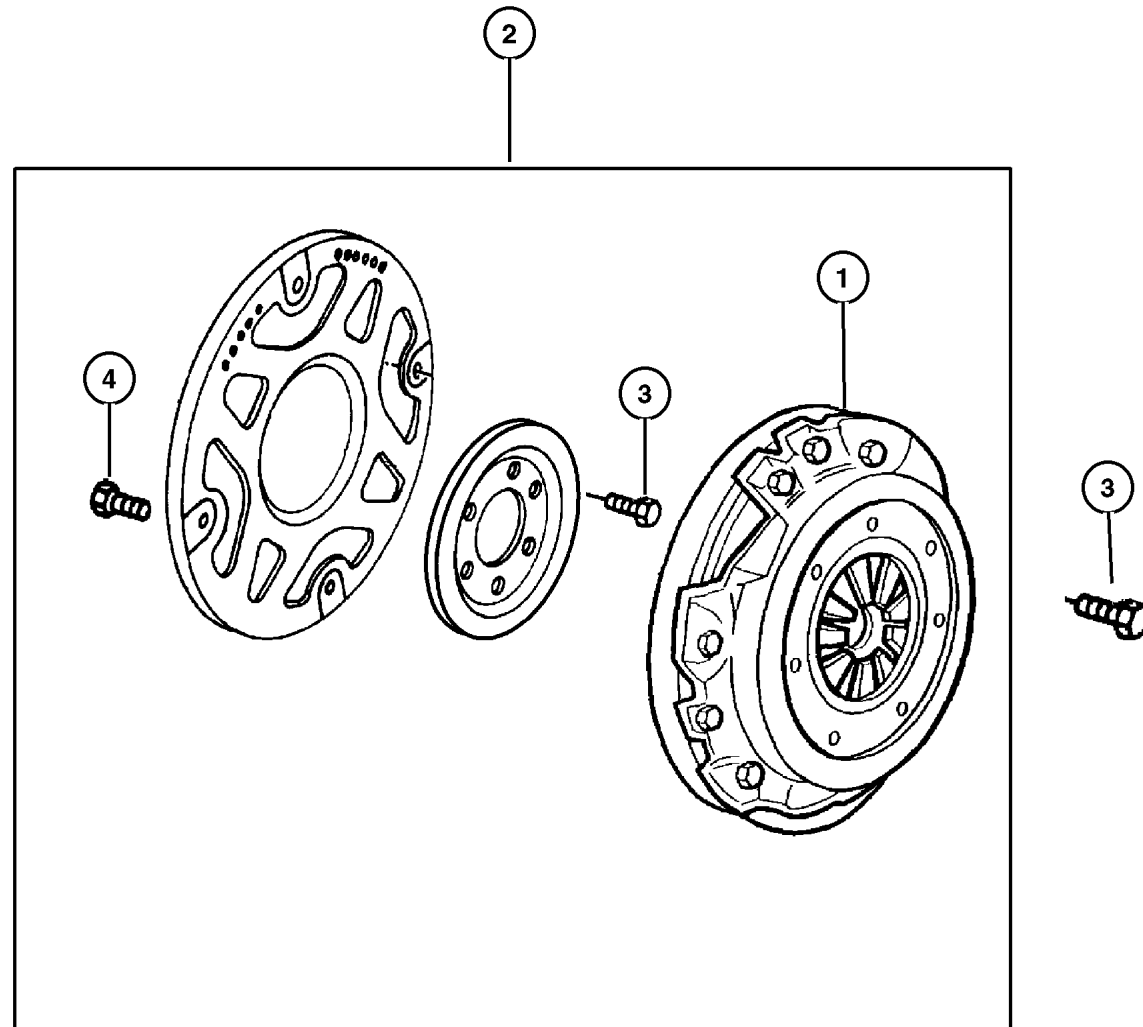
Controls, Master Cylinder & Slave Cylinder Fig. 006-315

Clutch Pedals

Pedal, Clutch Fig. 006-410



**Clutch and Disc
Figure 006-110**



ITEM	PART NUMBER	QTY	LINE	ENGINE	TRANS	DESCRIPTION
Note; Sales Codes						
[DD5]= 5 Speed Manual Transmissions						
[EBD]= 1.8L 4 Cylinder Single Overhead Cam 16 Valve Engine						
[ECB]= 2.0L 4 Cylinder Single Overhead Cam 16 Valve Engine						
[ECH]= 2.0L 4 Cylinder Single Overhead Cam 16 Valve Hi Performance Engine						
[EJD]= 1.6L 4 Cylinder Single Overhead Cam 16 Valve Engine						
1	4668 400AD	1		EBD, ECB, ECH	DD5	CLUTCH, Modular, With Flywheel
2						CLUTCH PACKAGE, (NOT REQUIRED)
3	6101 727	6		EJD	DD5	BOLT, Hex Head
4	6501 099	4		EBD, ECB	DD5	BOLT, Hex Head, M10x1.50 x 13.20, Drive Plate To Clutch

DODGE - CHRYSLER NEON (PL)				
SERIES	LINE	BODY	ENGINE	TRANSMISSION
L=Low Line	Z=Chrysler, RHD	41 = 4 Door,	ECB,EC0=2.0L 4 Cyl., 16V SMPI	DD5=5 Speed Manual
H=High Line	D=Dodge	104WB	ECH,EC0=2.0L 4 Cyl, 16V SOHC	DGC=3 Speed Automatic
	D=Chrysler		EJD,EJ0=1.6L 4 Cyl 16V, SOHC	DGL=4 Speed Automatic
	P=Plymouth		EBD,EB0=1.8L 4 Cyl 16V SEF	DG0=All Automatics
				DBB=All 5 Speed Manual

AR = Use as required - = Non illustrated part # = New this model year

May 2, 2002

Housing, Clutch and Mounting Bolts, (DD5) Figure 006-210

ITEM	PART NUMBER	QTY	LINE	ENGINE	TRANS	DESCRIPTION
------	-------------	-----	------	--------	-------	-------------

Note; Sales Codes

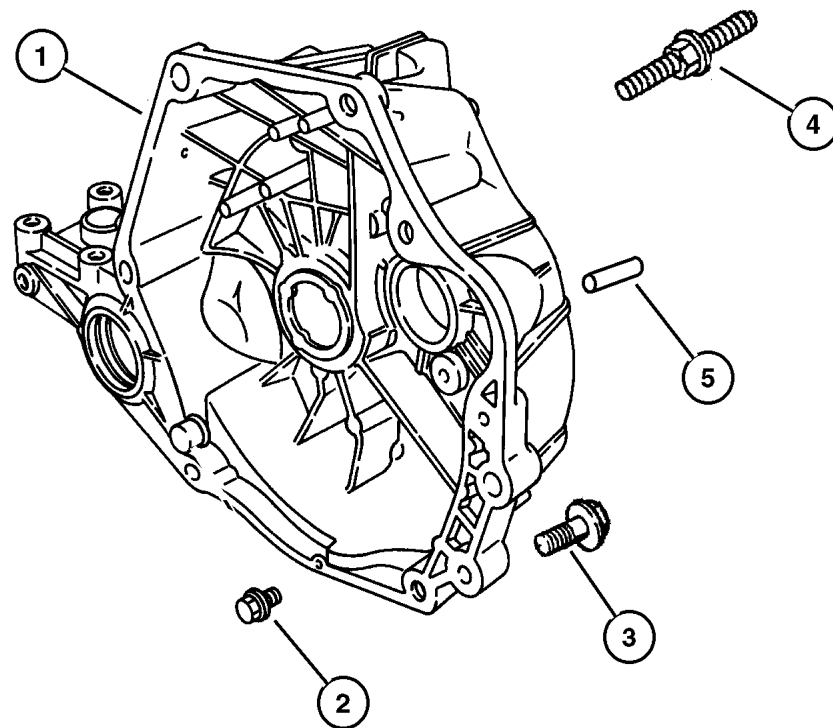
[DD5]= 5 Speed Manual Transmissions

[EBD]= 1.8L 4 Cylinder Single Overhead Cam 16 Valve Engines

[ECB]= 2.0L 4 Cylinder Single Overhead Cam 16 Valve Engines

[EJD]= 1.6L 4 Cylinder Single Overhead Cam 16 Valve Engines

1	5016 237AA	1		ECB	DD5	HOUSING, Clutch
2	6501 755	2		EJD	DD5	SCREW AND WASHER, Hex Head, M6x1x16
3	6501 742	3			DD5	SCREW, Hex Head, M12x1.75x50
4						STUD
	6505 314AA	2		EJD		
		2		ECB		
5	4761 099	2		ECB	DD5	PIN, Locating



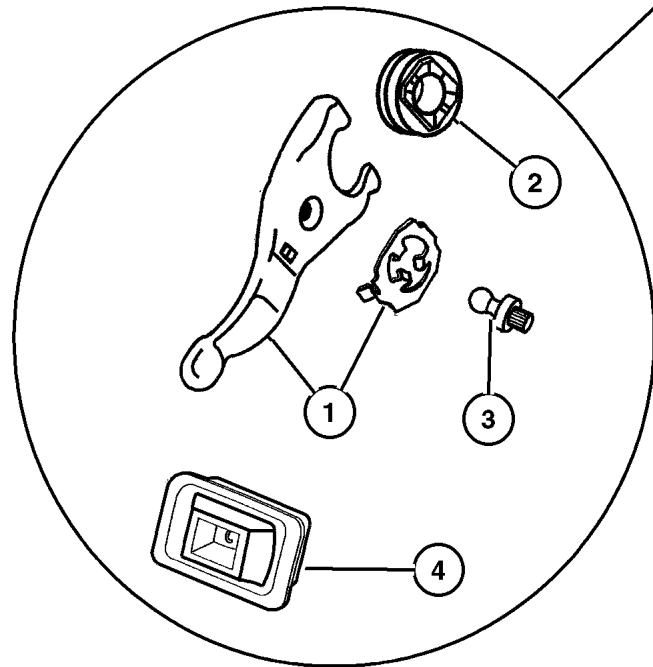
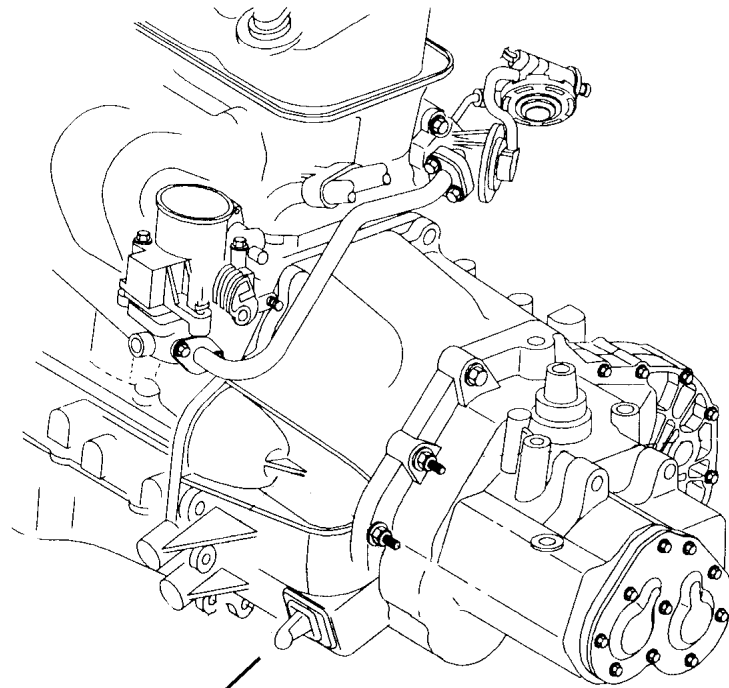
DODGE - CHRYSLER NEON (PL)

SERIES	LINE	BODY	ENGINE	TRANSMISSION
L=Low Line	Z=Chrysler, RHD	41 = 4 Door,	ECB,EC0=2.0L 4 Cyl., 16V SMPI	DD5=5 Speed Manual
H=High Line	D=Dodge	104WB	ECH,EC0=2.0L 4 Cyl, 16V SOHC	DGC=3 Speed Automatic
	D=Chrysler		EJD,EJ0=1.6L 4 Cyl 16V, SOHC	DGL=4 Speed Automatic
	P=Plymouth		EBD,EB0=1.8L 4 Cyl 16V SEF	DG0=All Automatics
				DBB=All 5 Speed Manual

AR = Use as required - = Non illustrated part # = New this model year

May 2, 2002

Controls, Release Fork & Bearing, Hydraulic Clutch
Figure 006-312



ITEM	PART NUMBER	QTY	LINE	ENGINE	TRANS	DESCRIPTION
------	-------------	-----	------	--------	-------	-------------

Note; Sales Codes

[DD5] 5 Speed Manual Transmissions

[EBD]= 1.8L 4 Cylinder Single Overhead Cam 16 Valve Engines

[ECB]= 2.0L 4 Cylinder Single Overhead Cam 16 Valve Engines

[EJD]= 1.6L 4 Cylinder Single Overhead Cam 16 Valve Engines

1	4796 665	1		EBD, ECH	DD5	LEVER PACKAGE, Clutch Release
		1		ECB	DD5	
2	4670 026	1		EBD, ECH	DD5	BEARING, Clutch Release
		1		ECB	DD5	
3	4670 240	1		EBD, ECH	DD5	PIVOT, Clutch Release Lever
		1		ECB	DD5	
4	4670 071	1		EBD, ECH	DD5	BOOT, Clutch Release Lever
		1		ECB	DD5	

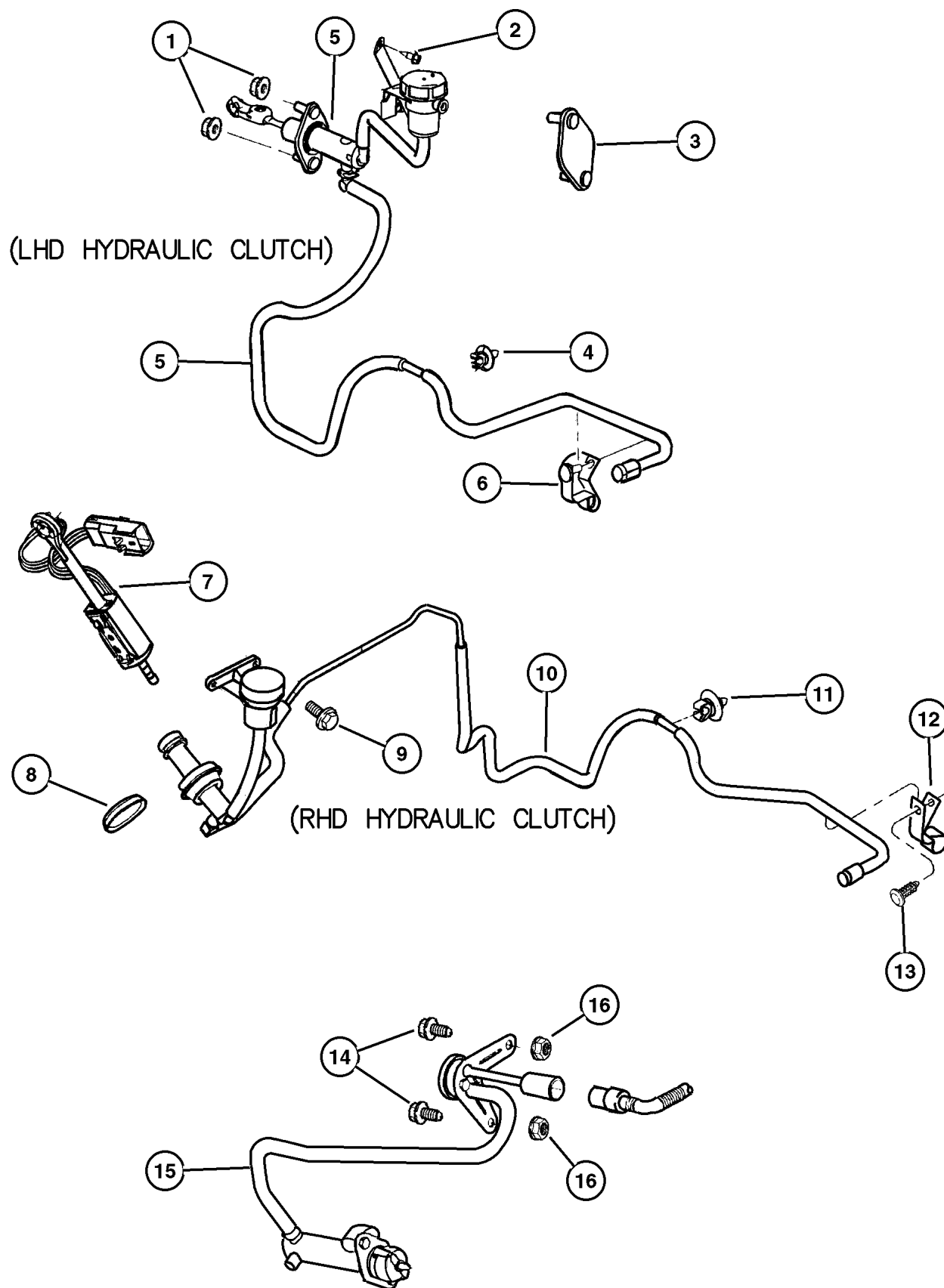
DODGE - CHRYSLER NEON (PL)

SERIES	LINE	BODY	ENGINE	TRANSMISSION
L=Low Line	Z=Chrysler, RHD	41 = 4 Door,	ECB,EC0=2.0L 4 Cyl., 16V SMPI	DD5=5 Speed Manual
H=High Line	D=Dodge	104WB	ECH,EC0=2.0L 4 Cyl, 16V SOHC	DGC=3 Speed Automatic
	D=Chrysler		EJD,EJ0=1.6L 4 Cyl 16V, SOHC	DGL=4 Speed Automatic
	P=Plymouth		EBD,EB0=1.8L 4 Cyl 16V SEF	DG0=All Automatics
				DBB=All 5 Speed Manual

AR = Use as required - = Non illustrated part # = New this model year

May 2, 2002

Controls, Master Cylinder & Slave Cylinder Figure 006-315



ITEM	PART NUMBER	QTY	LINE	ENGINE	TRANS	DESCRIPTION
Note; Sales Codes						
[DD5]= 5 Speed Manual Transmissions						
[DGC]= 3 Speed Automatic Transmissions						
[DGL]= 4 Speed Automatic Transmissions 41TE						
[EBD]= 1.8L 4 Cylinder Single Overhead Cam 16 Valve Engines						
[ECB]= 2.0L 4 Cylinder Single Overhead Cam 16 Valve Engines						
[ECH]= 2.0L 4 Cylinder Single Overhead Cam 16 Valve Hi Performance Engines						
1	5291 532AB	2				RETAINER
2						SCREW, M6.3x1.81x19.00, (NOT SERVICED)
3	4668 637AA	1	D, P		DGC, DGL	PLATE, Brake Booster
4	4670 268	1			DD5	CLIP, Clutch Tube
5	4668 631AC	1	D, P		DD5	ACTUATOR, Hydraulic Clutch, Clutch Master Cylinder
6	4670 367AB	1			DD5	CLIP, Clutch Tube
7						SWITCH, Clutch Starter Interlock
	#4671 756AB	1	D, P		DD5	
	#4671 765AA	1	Z		DD5	
8	5502 3694	1	Z		DGC, DGL	PLUG, Body, 2 Inch OD
9						SCREW, M6.3x1.81x19.00, (NOT SERVICED)
10	4668 330AD	1	Z		DD5	ACTUATOR, Hydraulic Clutch, Clutch Master Cylinder
11	4670 268	1			DD5	CLIP, Clutch Tube
12	4670 367AB	1			DD5	CLIP, Clutch Tube
13	6030 441	1			DD5	PIN, Retainer
14	6101 614	1				SCREW AND WASHER, Hex Head, M8x1.25x45
15	4668 331AA	1		EBD, ECB, ECH	DD5	ACTUATOR, Hydraulic Clutch, Slave Cylinder
16	6101 695	2			DD5	NUT, Hex Flange Lock, M8x1.25

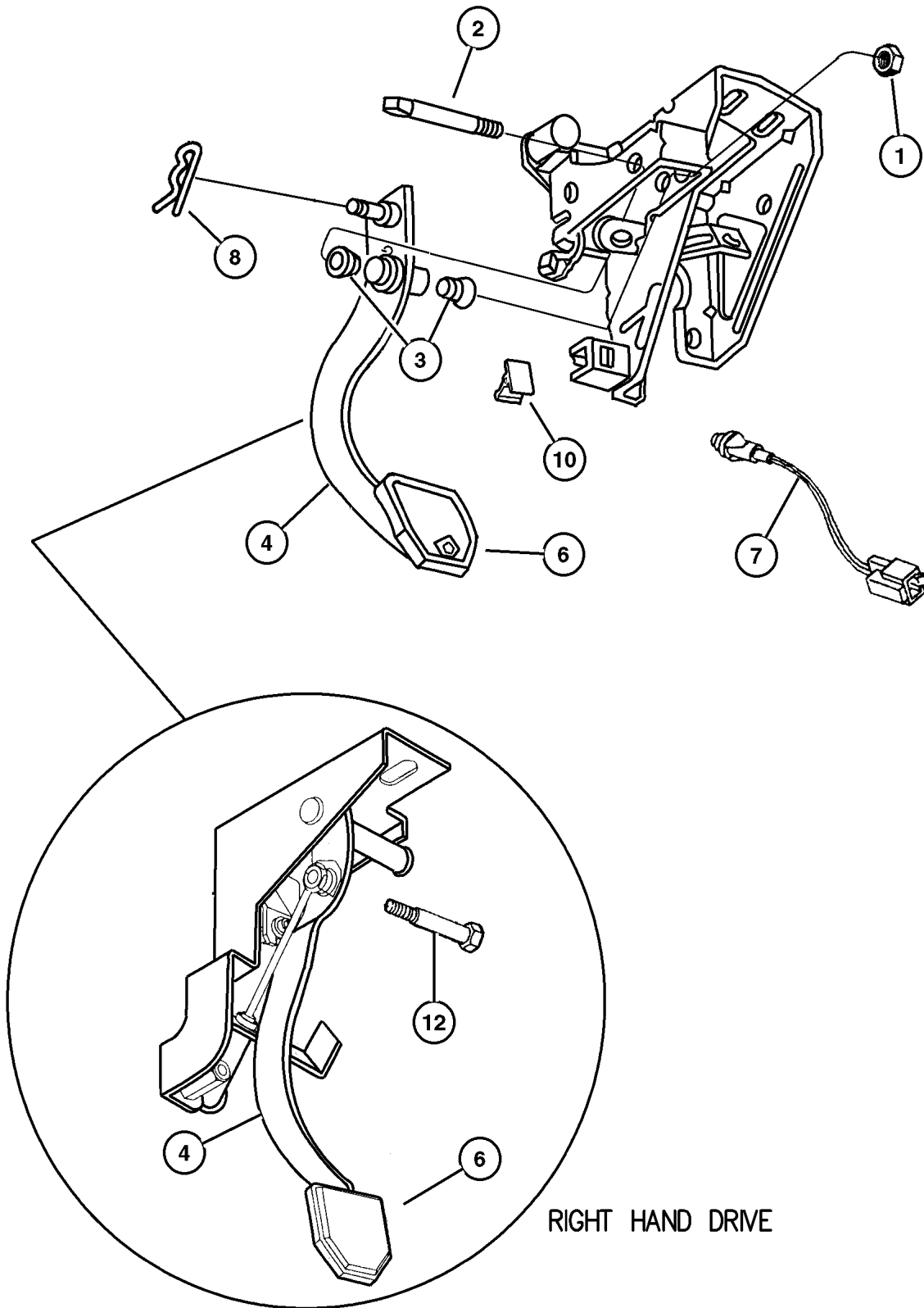
DODGE - CHRYSLER NEON (PL)

SERIES	LINE	BODY	ENGINE	TRANSMISSION
L=Low Line	Z=Chrysler, RHD	41 = 4 Door,	ECB,EC0=2.0L 4 Cyl., 16V SMPI	DD5=5 Speed Manual
H=High Line	D=Dodge	104WB	ECH,EC0=2.0L 4 Cyl, 16V SOHC	DGC=3 Speed Automatic
	D=Chrysler		EJD,EJ0=1.6L 4 Cyl 16V, SOHC	DGL=4 Speed Automatic
	P=Plymouth		EBD,EB0=1.8L 4 Cyl 16V SEF	DG0=All Automatics
				DBB=All 5 Speed Manual

AR = Use as required - = Non illustrated part # = New this model year

May 2, 2002

**Pedal, Clutch
Figure 006-410**



RIGHT HAND DRIVE

ITEM	PART NUMBER	QTY	LINE	ENGINE	TRANS	DESCRIPTION
Note; Sales Codes						
[DD5]= 5 Speed Manual Transmissions						
1	6500 197	1	D, P		DD5	NUT, M10x1.5
		1	Z		DD5	
2	#4860 014AA	1	Z		DD5	SHAFT, Clutch Pedal
3	2467 770	4	D, P		DD5	BUSHING, Pedal Shaft
		4	Z		DD5	
4	4668 349AA	1	Z		DD5	PEDAL, Clutch
	4668 638AB	1	D, P		DD5	
-5	#4668 641AC	1	D, P		DD5	SPRING, Clutch Pedal Return
6	4683 021	1	D, P		DD5	PAD, clutch
		1	Z		DD5	
7						SWITCH, Clutch Starter Interlock
	#4671 756AB	1	D, P		DD5	
	#4671 765AA	1	Z		DD5	
8	6034 206	1				PIN, Hair, .250 Dia x.766x.059
-9						PIN, Cotter, M3.2x36, (NOT SERVICED)
10						BUMPER, Clutch Pedal, (NOT SERVICED)
-11						STOPPER, Clutch and Brake Pedal, (NOT SERVICED)
12						PIN, Clutch Pedal, (NOT SERVICED)

DODGE - CHRYSLER NEON (PL)				
SERIES	LINE	BODY	ENGINE	TRANSMISSION
L=Low Line	Z=Chrysler, RHD	41 = 4 Door,	ECB,EC0=2.0L 4 Cyl., 16V SMPI	DD5=5 Speed Manual
H=High Line	D=Dodge	104WB	ECH,EC0=2.0L 4 Cyl, 16V SOHC	DGC=3 Speed Automatic
	D=Chrysler		EJD,EJ0=1.6L 4 Cyl 16V, SOHC	DGL=4 Speed Automatic
	P=Plymouth		EBD,EB0=1.8L 4 Cyl 16V SEF	DG0=All Automatics
				DBB=All 5 Speed Manual

AR = Use as required - = Non illustrated part # = New this model year

May 2, 2002

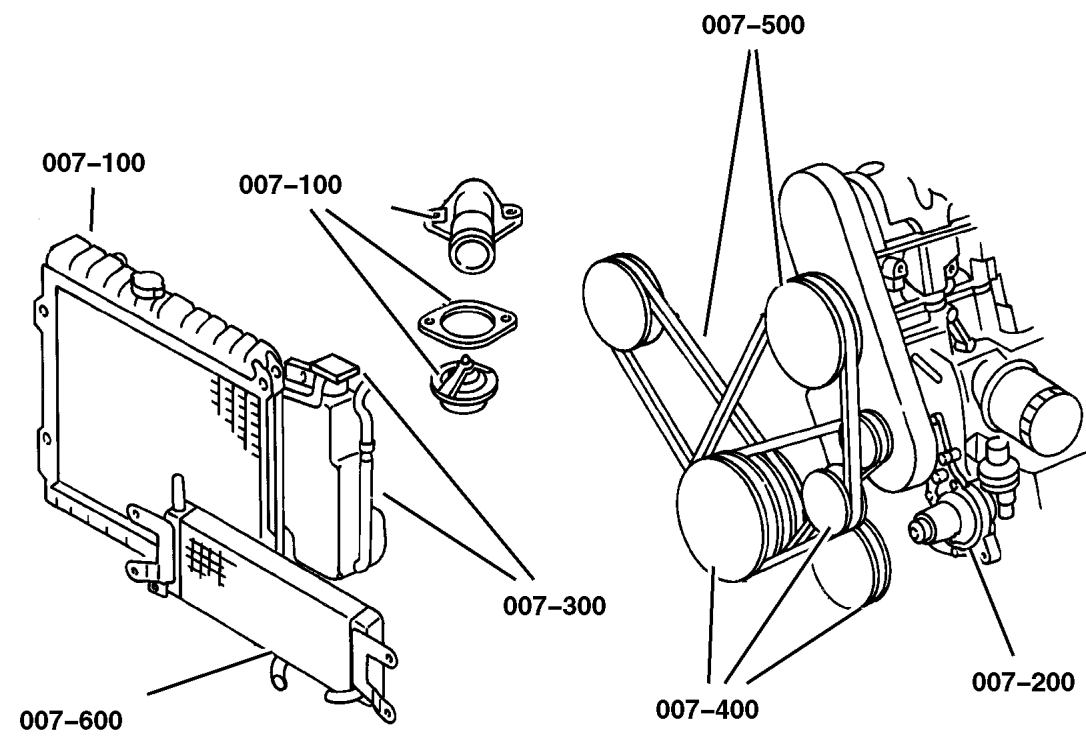
Group – 007

Cooling

GROUP 7 - Cooling

Illustration Title

Group-Fig. No.



Radiator and Related Parts

Radiator and Related Parts Fig. 007-110

Water Pump and Related Parts

Pump Assembly - Water and Power Steering 1.6L Engine Fig. 007-201

Water Pump and Related Parts Fig. 007-203

Tank, Coolant Engine

Coolant Reserve Tank Fig. 007-303

Pulleys and Related Parts

Pulleys and Related Parts, 2.0L Engines Fig. 007-403

Pulleys and Related Parts 1.6L Engine Fig. 007-405

Drive Belts

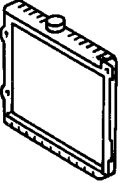
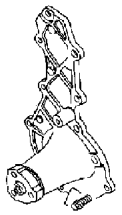

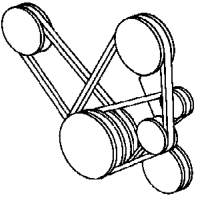
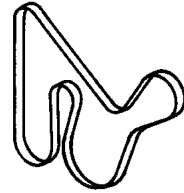
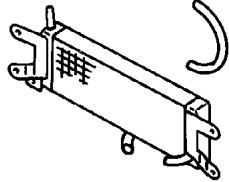
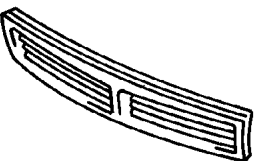
Belts Fig. 007-503

Lines, Transmission Oil Cooler

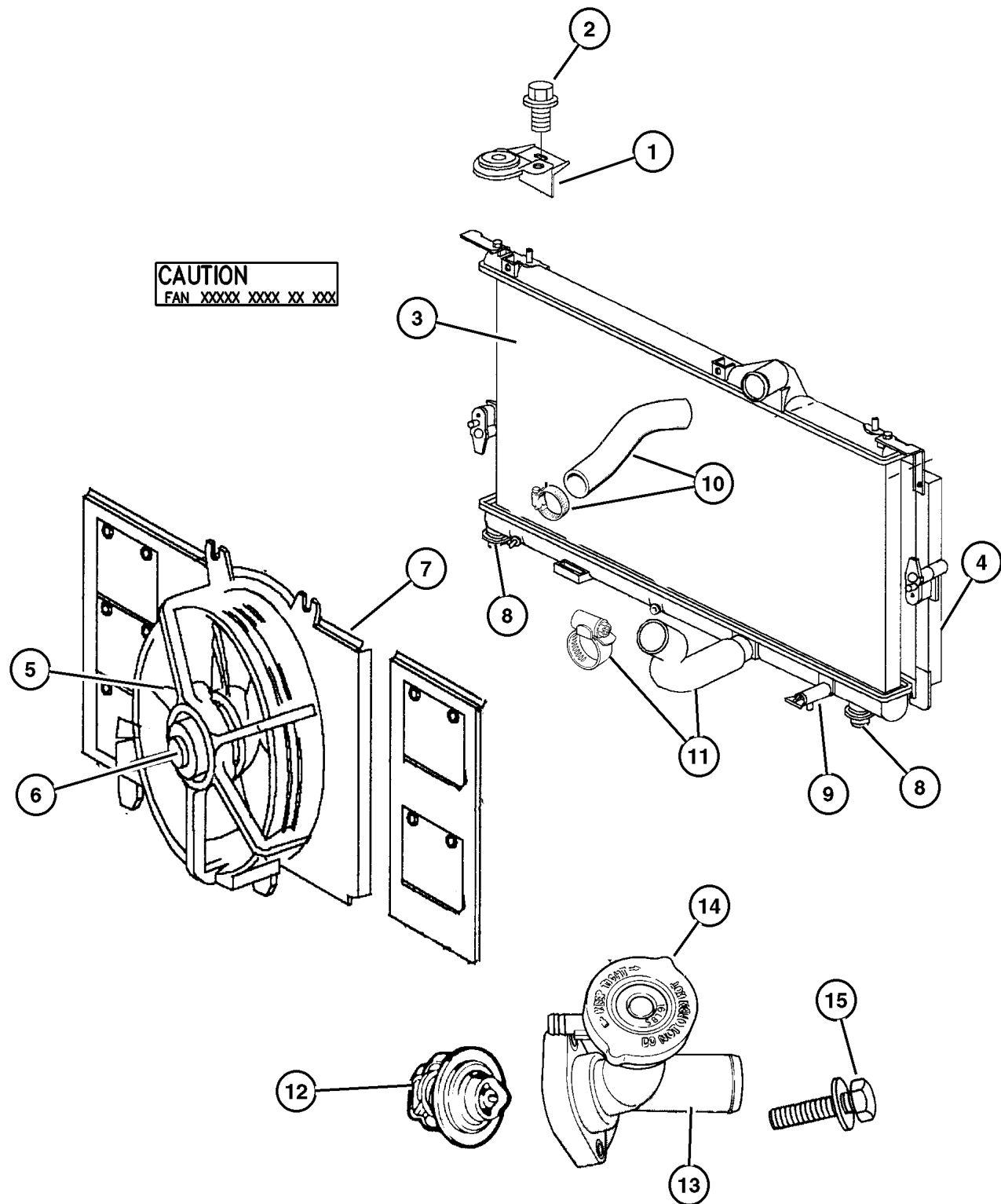
Lines, Oil Cooler Fig. 007-603

Grilles

Grille and Related Parts Fig. 007-703

<p>007-100 Radiator and Related Parts</p> 	<p>007-200 Water Pump and Related Parts</p> 	<p>007-300 Tank, Coolant Engine</p> 	<p>007-400 Pulleys and Related Parts</p> 
<p>007-500 Drive Belts</p> 	<p>007-600 Lines, Transmission Oil Cooler</p> 	<p>007-700 Grilles</p> 	

Radiator and Related Parts
Figure 007-110



ITEM	PART NUMBER	QTY	LINE	ENGINE	TRANS	DESCRIPTION
------	-------------	-----	------	--------	-------	-------------

NOTE: Sales Codes:

- [DGC] = TRANSMISSION - 3-SPEED AUTOMATIC
- [DGL] = TRANSMISSION - 4-SPD. AUTOMATIC,41TE
- [DD5] = TRANSMISSION - PERF. MANUAL 5-SPEED
- [ECB] = 2.0L SOHC 16V
- [ECH] = 2.0L 4 CYL SOHC 16V HI PERF
- [EJD] = 1.6L 4 CYL SOHC 16V SMPI

1						BRACKET, Cooling Module Upper Right
	5278 276AC	1				Upper Left
2	6101 718	2				SCREW AND WASHER, Oval Head, M6x1x25, Bracket Attaching
3						RADIATOR, Engine Cooling
	5014 580AA	1		ECB	DGC	
	5014 581AA	1		ECB, ECH	DD5	
	#5019 214AA	1		ECB	DGL	
	#5019 213AA	1		EJD	DD5	
4						CONDENSER, Air Conditioning
	5014 582AA	1		ECB	DGC	
		1		ECB, ECH	DD5	
		1		ECB	DGL	
		1		EJD	DD5	
5						FAN, Cooling
	5014 578AA	1		EBD, ECB	DGC	
		1		ECB, ECH	DD5	
	#5019 208AA	1		ECB	DGL	7 Blade, Right
	#5019 209AA	1		ECB	DGL	5 Blade, Left
	#5019 208AA	1		EJD	DD5	Right
	#5019 209AA	1		ECB	DGL	Left
6						MOTOR, Radiator Fan
	5014 577AA	1		EBD, ECB	DGC	
		1		ECB, ECH	DD5	
	#5019 211AA	1		ECB	DGL	With Wire Harness, Right
	#5019 212AA	1		ECB	DGL	Left
	#5019 211AA	1		EJD	DD5	Right
	#5019 212AA	1		EJD	DD5	Left
7						SHROUD, Fan

DODGE - CHRYSLER NEON (PL)

SERIES	LINE	BODY	ENGINE	TRANSMISSION
L=Low Line	Z=Chrysler, RHD	41 = 4 Door,	ECB,EC0=2.0L 4 Cyl., 16V SMPI	DD5=5 Speed Manual
H=High Line	D=Dodge	104WB	ECH,EC0=2.0L 4 Cyl, 16V SOHC	DGC=3 Speed Automatic
	D=Chrysler		EJD,EJ0=1.6L 4 Cyl 16V, SOHC	DGL=4 Speed Automatic
	P=Plymouth		EBD,EB0=1.8L 4 Cyl 16V SEF	DG0=All Automatics
				DBB=All 5 Speed Manual

AR = Use as required - = Non illustrated part # = New this model year

May 2, 2002

Radiator and Related Parts
Figure 007-110

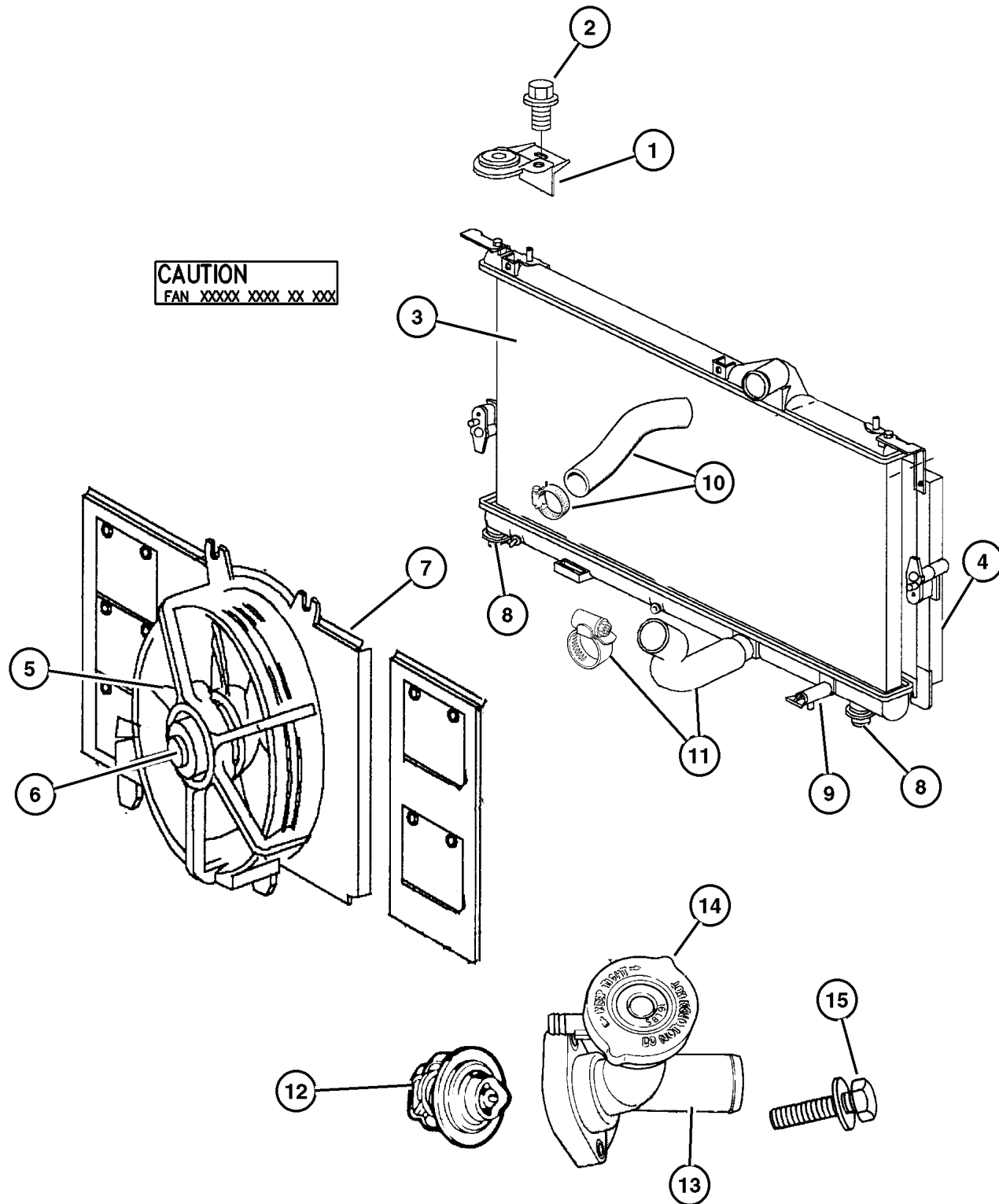
ITEM	PART NUMBER	QTY	LINE	ENGINE	TRANS	DESCRIPTION
	5014 579AA	1		ECB	DGC	
		1		ECB,	DD5	
	#5019 210AA	1		ECH		
		1		ECB	DGL	
		1		EJD	DD5	
8	4495 963AB	2				ISOLATOR, Radiator without Air Conditioning, Lower
	4546 657AB	2				with Air Conditioning, Lower
9						DRAINCOCK, Radiator
	4762 334	1		ECB	DGC	
		1		ECB,	DD5	
		1		ECH		
		1		ECB	DGL	
		1		EJD	DD5	
10						HOSE AND CLAMP, Radiator Inlet
	5278 030AD	1		ECB		
	#5278 532AA	1		EJD		
	#5278 800AA	1		ECH		
11						HOSE AND CLAMP, Radiator Outlet
	#5278 531AA	1		EJD		
	#5278 950AA	1		ECB	DGL	
	5278 033AD	1		ECB,	DD5,	
				ECH	DGC	
12						THERMOSTAT
	5278 144AA	1		ECH		
		1		ECB		
	#4693 117AA	1		EJD		with Seal
13						CONNECTOR, Water Outlet
	5278 156AA	1		ECH		
		1		ECB		
	#4693 099AA	1		EJD		
14						CAP, Radiator
	4596 198	1		ECB		
		1		ECH		
15						SCREW AND WASHER, Hex Head, M6x1x30
	6101 939	2		ECH		
		2		ECB		
		3		EJD		
-16						DECAL, A/C System Specification
	5264 840AC	1		ECB,		
				ECH		
	#5058 004AB	1	D, P	EJD		

DODGE - CHRYSLER NEON (PL)

SERIES	LINE	BODY	ENGINE	TRANSMISSION
L=Low Line	Z=Chrysler, RHD	41 = 4 Door,	ECB,EC0=2.0L 4 Cyl., 16V SMPI	DD5=5 Speed Manual
H=High Line	D=Dodge	104WB	ECH,EC0=2.0L 4 Cyl, 16V SOHC	DGC=3 Speed Automatic
	D=Chrysler		EJD,EJ0=1.6L 4 Cyl 16V, SOHC	DGL=4 Speed Automatic
	P=Plymouth		EBD,EB0=1.8L 4 Cyl 16V SEF	DG0=All Automatics
				DBB=All 5 Speed Manual

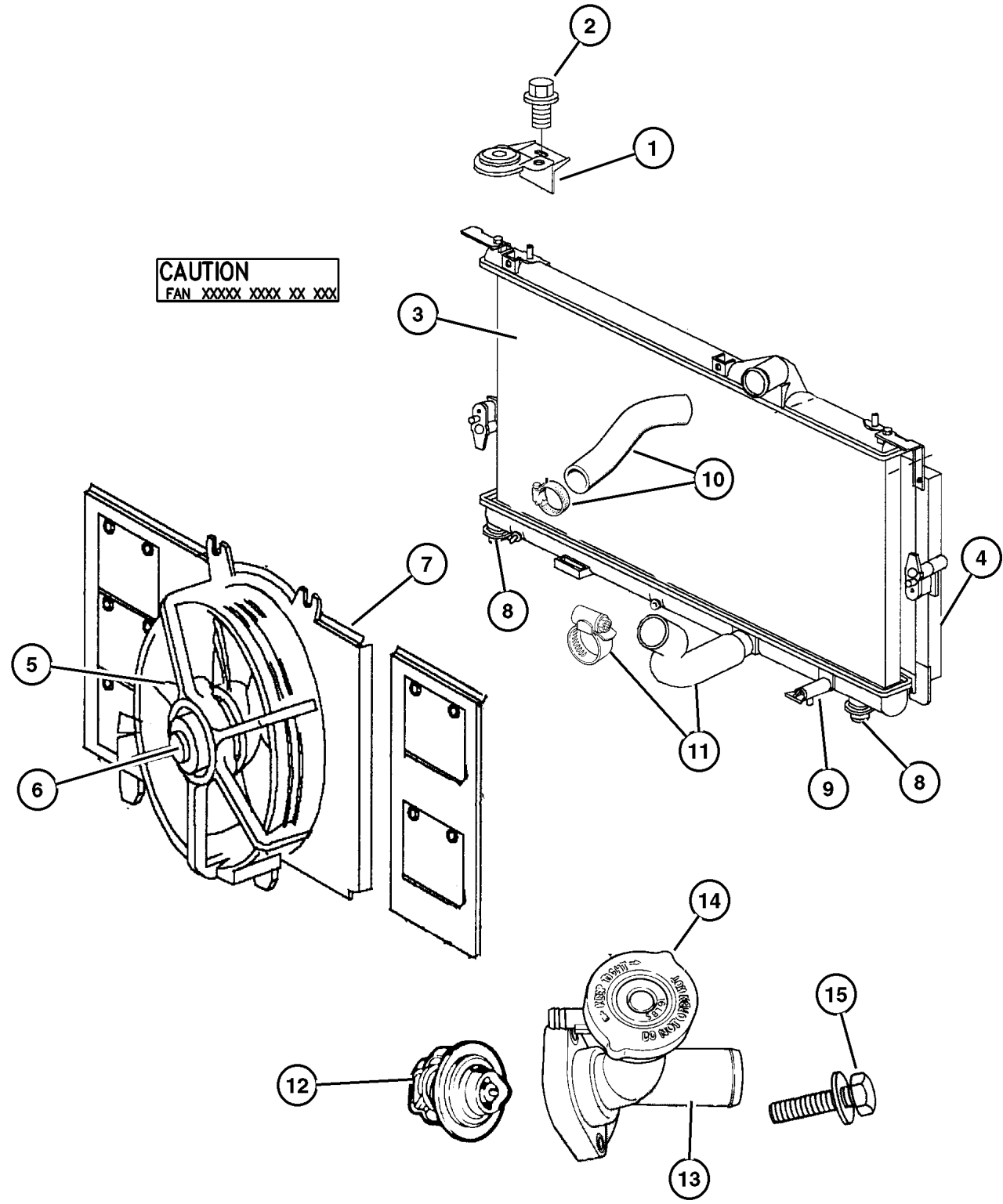
AR = Use as required - = Non illustrated part # = New this model year

May 2, 2002



Radiator and Related Parts Figure 007-110

ITEM	PART NUMBER	QTY	LINE	ENGINE	TRANS	DESCRIPTION
	#5058 003AB	1	Z	EJD		
	5278 748AB	1	D, P			French



DODGE - CHRYSLER NEON (PL)				
SERIES	LINE	BODY	ENGINE	TRANSMISSION
L=Low Line	Z=Chrysler, RHD	41 = 4 Door,	ECB,EC0=2.0L 4 Cyl., 16V SMPI	DD5=5 Speed Manual
H=High Line	D=Dodge	104WB	ECH,EC0=2.0L 4 Cyl, 16V SOHC	DGC=3 Speed Automatic
	D=Chrysler		EJD,EJ0=1.6L 4 Cyl 16V, SOHC	DGL=4 Speed Automatic
	P=Plymouth		EBD,EB0=1.8L 4 Cyl 16V SEF	DG0=All Automatics
				DBB=All 5 Speed Manual

AR = Use as required - = Non illustrated part # = New this model year

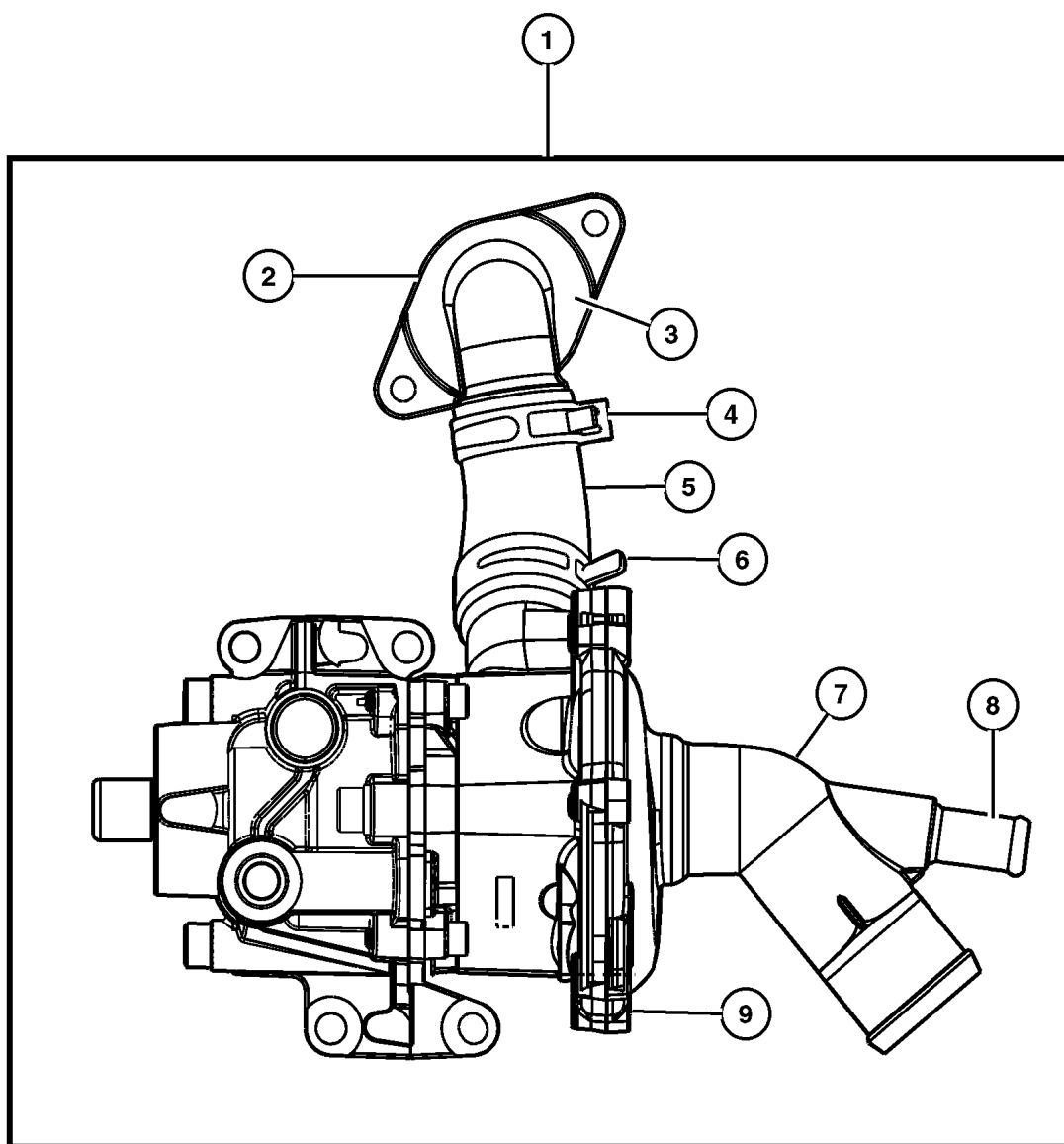
Pump Assembly - Water and Power Steering 1.6L Engine
Figure 007-201

ITEM	PART NUMBER	QTY	LINE	ENGINE	TRANS	DESCRIPTION
------	-------------	-----	------	--------	-------	-------------

NOTE: Sales Codes:

[EJD] = ENGINE - 1.6L 4 CYL SOHC 16V SMPI

1	#4693 090AD	1		EJD		PUMP, Power Steering/Water
2	#4693 097AA	1		EJD		SEAL, O-Ring
3	#4777 876AB	1		EJD		HOUSING, Water Outlet
4	#4693 169AA	1		EJD		CLAMP, Hose
5	#4693 112AB	1		EJD		HOSE, Water Pump
6	#4693 168AB	1		EJD		CLAMP, Hose
7	#4693 092AA	1		EJD		COVER, Water Pump
8	#4693 170AA	1		EJD		NIPPLE, Heater Inlet
9	#6506 300AA	7		EJD		SCREW
-10	#4693 096AA	1		EJD		SEAL, Water Pump Body, Housing to Body



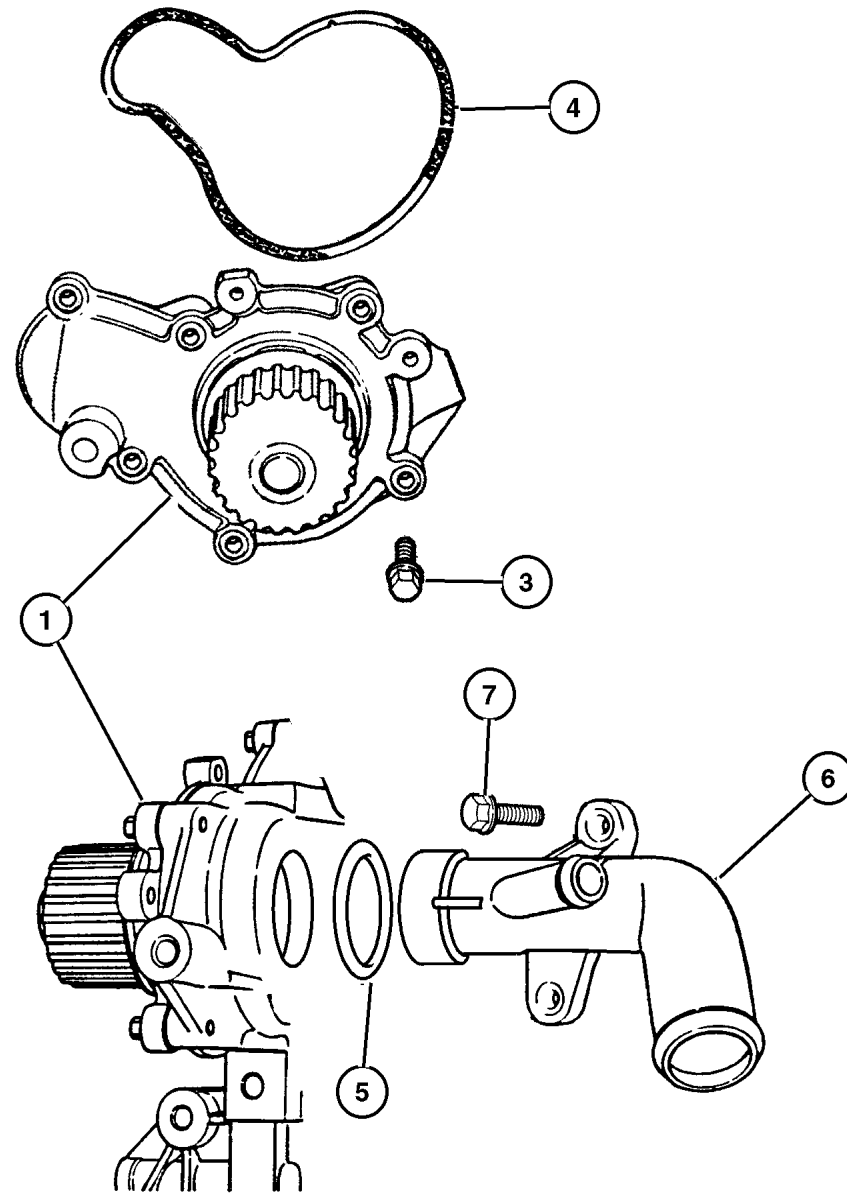
DODGE - CHRYSLER NEON (PL)

SERIES	LINE	BODY	ENGINE	TRANSMISSION
L=Low Line	Z=Chrysler, RHD	41 = 4 Door,	ECB,EC0=2.0L 4 Cyl., 16V SMPI	DD5=5 Speed Manual
H=High Line	D=Dodge	104WB	ECH,EC0=2.0L 4 Cyl, 16V SOHC	DGC=3 Speed Automatic
	D=Chrysler		EJD,EJ0=1.6L 4 Cyl 16V, SOHC	DGL=4 Speed Automatic
	P=Plymouth		EBD,EB0=1.8L 4 Cyl 16V SEF	DG0=All Automatics
				DBB=All 5 Speed Manual

AR = Use as required - = Non illustrated part # = New this model year

May 2, 2002

**Water Pump and Related Parts
Figure 007-203**



ITEM	PART NUMBER	QTY	LINE	ENGINE	TRANS	DESCRIPTION
------	-------------	-----	------	--------	-------	-------------

NOTE: Sales Codes:
[ECB] =2.0L 4 CYL SOHC 16V SMPI
[ECH] =2.0L 4 CYL SOHC 16V HI PERF

1	4667 660	1		ECH		PUMP, Water
		1		ECB		
-2	4621 653	1		ECH		NIPPLE, Heater Return
		1		ECB		
3	6503 255	6		ECH		BOLT, Hex Head, M6x1.0x22
		6		ECB		
4	4667 663	1		ECH		SEAL, Water Pump Body
		1		ECB		
5	4777 173	1		ECH		O RING, Water Inlet Tube
		1		ECB		
6	4777 171	1		ECH		TUBE, Water Inlet
		1		ECB		
7	6100 267	2		ECH		BOLT AND CONED WASHER, Hex Head, M6x25x12.5
		1		ECB		

DODGE - CHRYSLER NEON (PL)

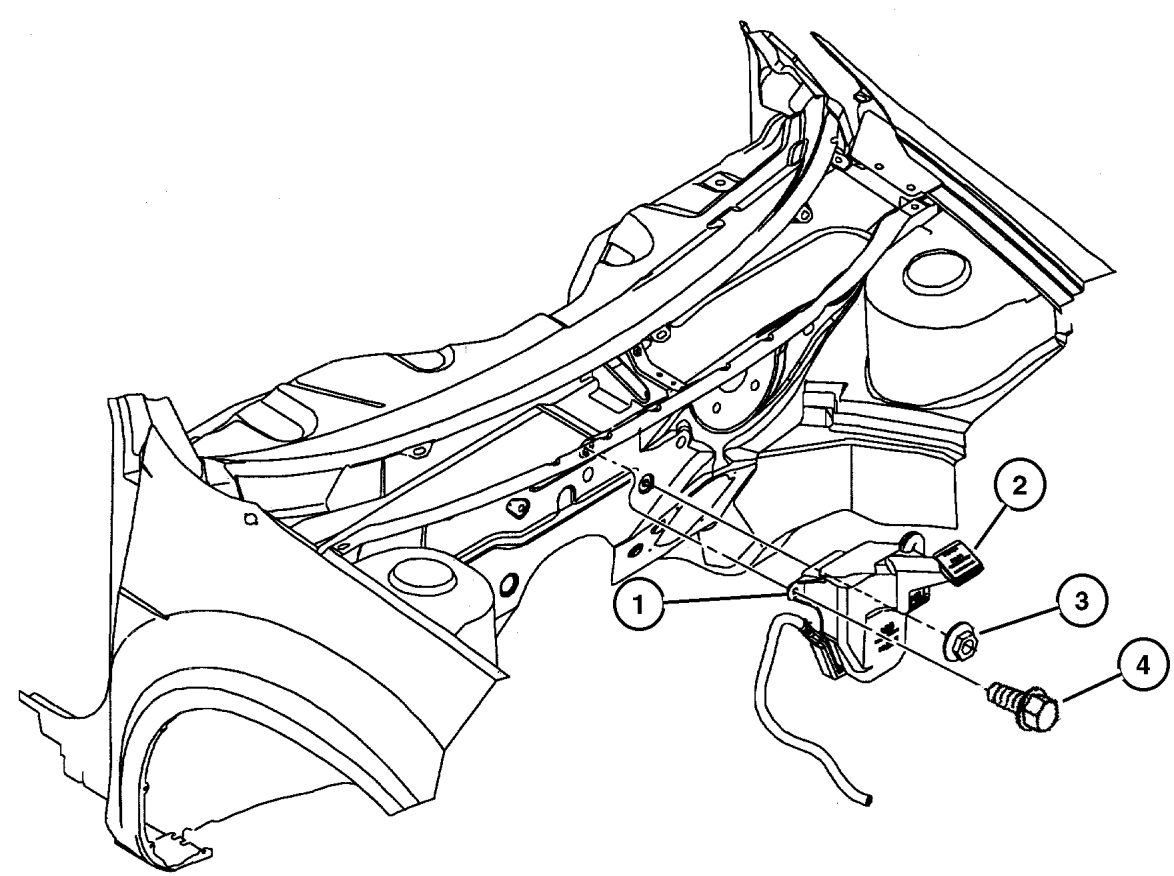
SERIES	LINE	BODY	ENGINE	TRANSMISSION
L=Low Line	Z=Chrysler, RHD	41 = 4 Door,	ECB,EC0=2.0L 4 Cyl., 16V SMPI	DD5=5 Speed Manual
H=High Line	D=Dodge	104WB	ECH,EC0=2.0L 4 Cyl, 16V SOHC	DGC=3 Speed Automatic
	D=Chrysler		EJD,EJ0=1.6L 4 Cyl 16V, SOHC	DGL=4 Speed Automatic
	P=Plymouth		EBD,EB0=1.8L 4 Cyl 16V SEF	DG0=All Automatics
				DBB=All 5 Speed Manual

AR = Use as required - = Non illustrated part # = New this model year

May 2, 2002

**Coolant Reserve Tank
Figure 007-303**

ITEM	PART NUMBER	QTY	LINE	ENGINE	TRANS	DESCRIPTION
NOTE: Sales Codes:						
[ECB] = 2.0L SOHC 16V						
[ECH] = 2.0L 4 CYL SOHC 16V HI PERF						
[EJD] = 1.6L 4 CYL SOHC 16V SMPI						
1						BOTTLE, Coolant Recovery
	#5278 828AA	1		ECB, ECH		
	#5278 651AB	1		EJD		
	#5278 758AB	1		ECB, ECH		EXPORT
2						CAP, Coolant Reserve Tank
	5017 468AA	1		ECB, ECH		
		1		EJD		
3	6503 676	1				NUT, Hex Flange, M6x1
4	6034 716	1				SCREW AND WASHER, Hex Flange Head, .25-14x.875



DODGE - CHRYSLER NEON (PL)				
SERIES	LINE	BODY	ENGINE	TRANSMISSION
L=Low Line	Z=Chrysler, RHD	41 = 4 Door,	ECB,EC0=2.0L 4 Cyl., 16V SMPI	DD5=5 Speed Manual
H=High Line	D=Dodge	104WB	ECH,EC0=2.0L 4 Cyl, 16V SOHC	DGC=3 Speed Automatic
	D=Chrysler		EJD,EJ0=1.6L 4 Cyl 16V, SOHC	DGL=4 Speed Automatic
	P=Plymouth		EBD,EB0=1.8L 4 Cyl 16V SEF	DG0=All Automatics
				DBB=All 5 Speed Manual

AR = Use as required - = Non illustrated part # = New this model year

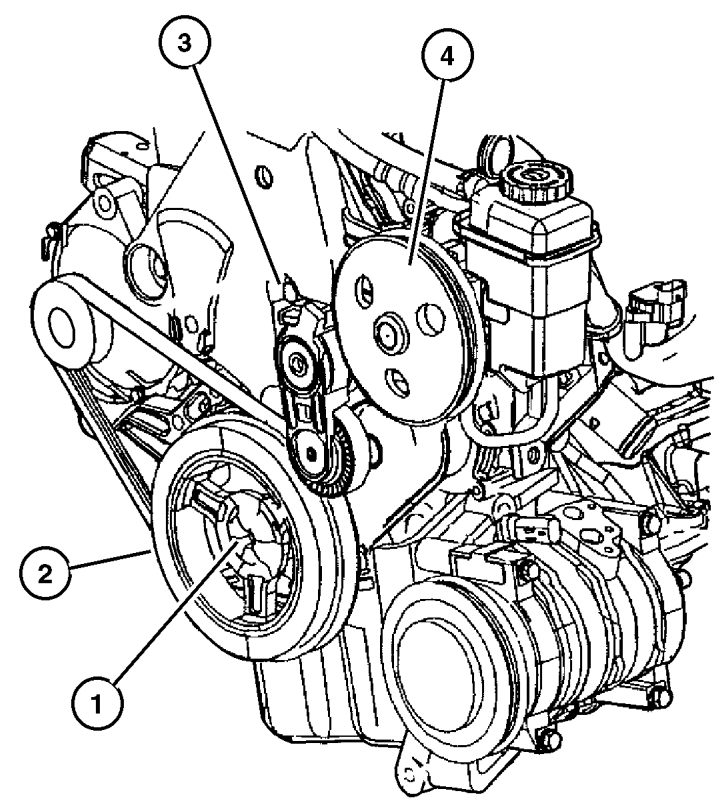
May 2, 2002

**Pulleys and Related Parts, 2.0L Engines
Figure 007-403**

ITEM	PART NUMBER	QTY	LINE	ENGINE	TRANS	DESCRIPTION
------	-------------	-----	------	--------	-------	-------------

NOTE: Sales Codes:
[ECB] = 2.0L SOHC 16V
[ECH] = 2.0L 4 CYL SOHC 16V HI PERF

1	6503 553	1		ECH		BOLT, Hex Flange Head, M12x1.75x87.50
		1		ECB		
2	4777 618AA	1		ECH		DAMPER, Crankshaft
		1		ECB		
3	4668 364AA	1		ECH		TENSIONER AND BRACKET, Engine Mount
		1		ECB		
4	4668 252	1		ECB,		PULLEY, Power Steering Pump
				ECH		



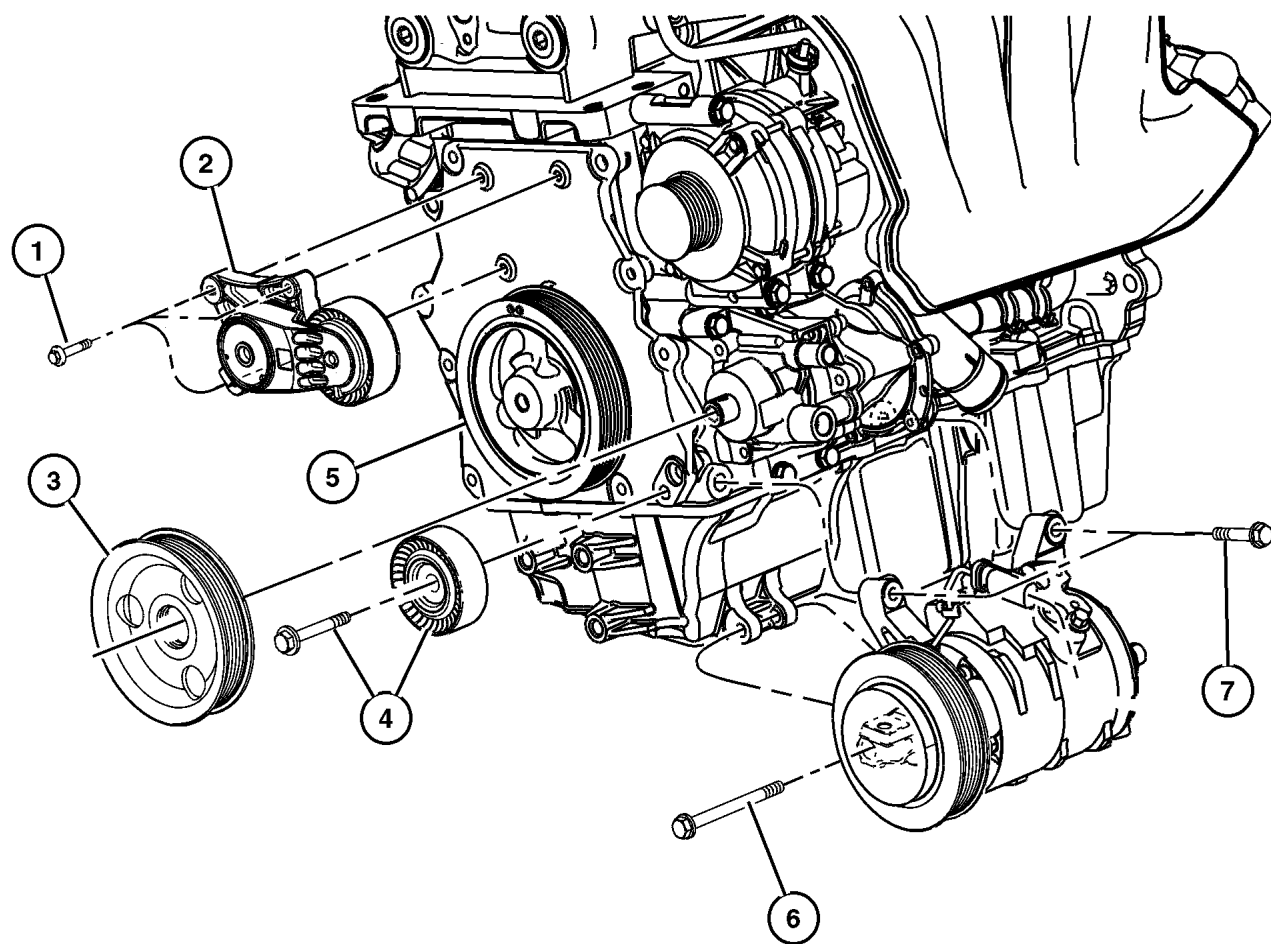
DODGE - CHRYSLER NEON (PL)				
SERIES	LINE	BODY	ENGINE	TRANSMISSION
L=Low Line	Z=Chrysler, RHD	41 = 4 Door,	ECB,EC0=2.0L 4 Cyl., 16V SMPI	DD5=5 Speed Manual
H=High Line	D=Dodge	104WB	ECH,EC0=2.0L 4 Cyl, 16V SOHC	DGC=3 Speed Automatic
	D=Chrysler		EJD,EJ0=1.6L 4 Cyl 16V, SOHC	DGL=4 Speed Automatic
	P=Plymouth		EBD,EB0=1.8L 4 Cyl 16V SEF	DG0=All Automatics
				DBB=All 5 Speed Manual

AR = Use as required - = Non illustrated part # = New this model year

May 2, 2002

**Pulleys and Related Parts 1.6L Engine
Figure 007-405**

ITEM	PART NUMBER	QTY	LINE	ENGINE	TRANS	DESCRIPTION
1						SCREW, Hex Flange Head, (NOT SERVICED)
2	#4668 451AA	1		EJD		TENSIONER, Belt
3	#4668 450AA	1		EJD		PULLEY, Power Steering Pump
4	#4668 455AA	1		EJD		PULLEY, Idler
5	#4777 681AB	1		EJD		DAMPER, Crankshaft
6	6503 219	1		EJD		SCREW AND WASHER, Hex Head, M8x1.25x100
7	6101 614	2		EJD		SCREW AND WASHER, Hex Head, M8x1.25x45

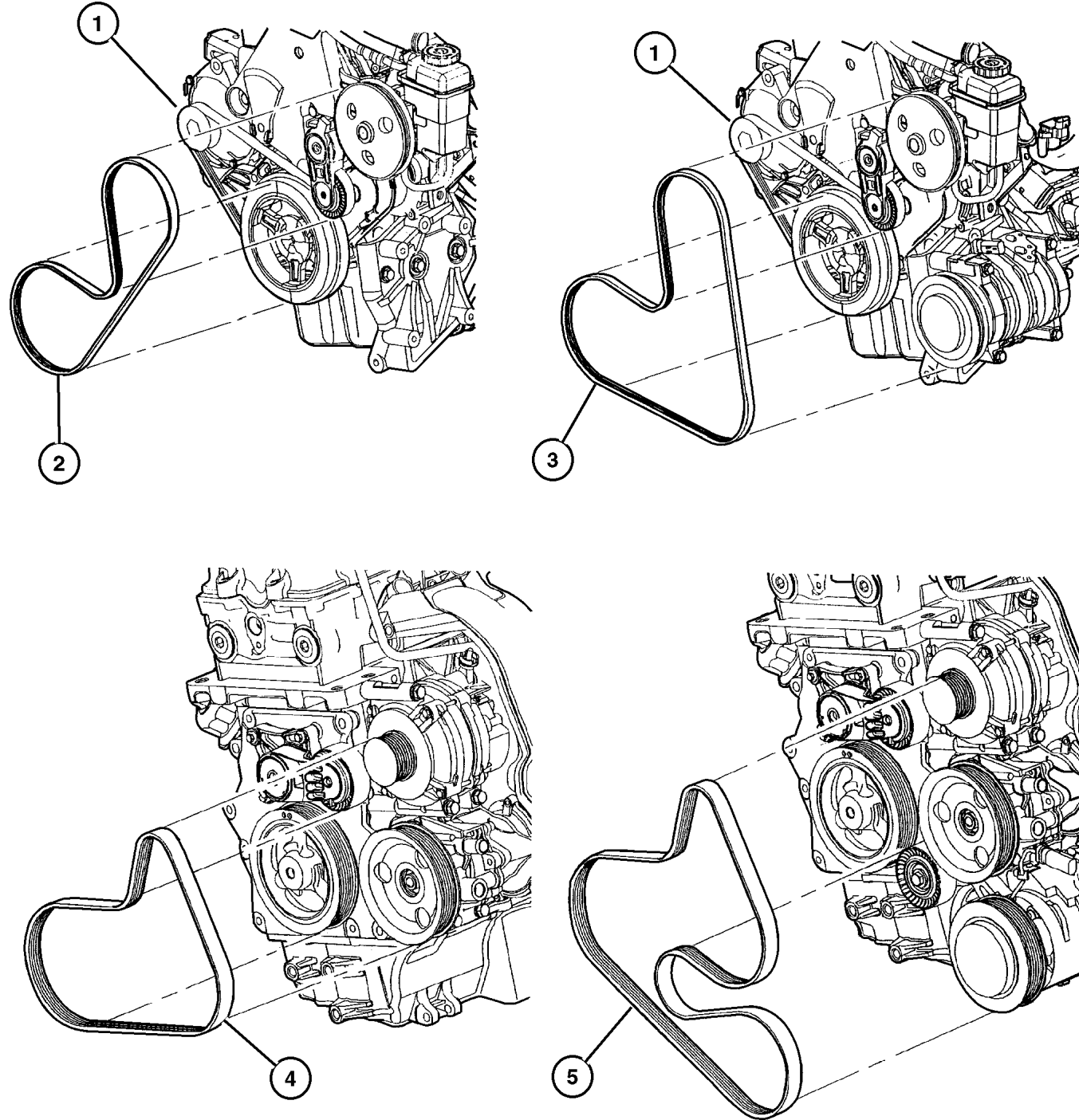


DODGE - CHRYSLER NEON (PL)				
SERIES	LINE	BODY	ENGINE	TRANSMISSION
L=Low Line	Z=Chrysler, RHD	41 = 4 Door,	ECB,EC0=2.0L 4 Cyl., 16V SMPI	DD5=5 Speed Manual
H=High Line	D=Dodge	104WB	ECH,EC0=2.0L 4 Cyl, 16V SOHC	DGC=3 Speed Automatic
	D=Chrysler		EJD,EJ0=1.6L 4 Cyl 16V, SOHC	DGL=4 Speed Automatic
	P=Plymouth		EBD,EB0=1.8L 4 Cyl 16V SEF	DG0=All Automatics
				DBB=All 5 Speed Manual

AR = Use as required - = Non illustrated part # = New this model year

May 2, 2002

Belts Figure 007-503



ITEM	PART NUMBER	QTY	LINE	ENGINE	TRANS	DESCRIPTION
NOTE: Sales Codes:						
[ECB] = 2.0L SOHC 16V						
[ECH] = 2.0L 4 CYL SOHC 16V HI PERF						
[EJD] = 1.6L 4 CYL SOHC 16V SMPI						
1						BELT, Alternator Drive
	4668 241	1		ECB		
		1		ECH		
2	4668 249AB	1		ECB, ECH		BELT, Power Steering, without Air Conditioning
3	4668 247AB	1		ECB, ECH		BELT, Accessory Drive, Air Conditioning
4	#4668 454AA	1		EJD		BELT, Accessory Drive, without Air Conditioning
5	#4668 452AB	1		EJD		BELT, Accessory Drive, Air Conditioning

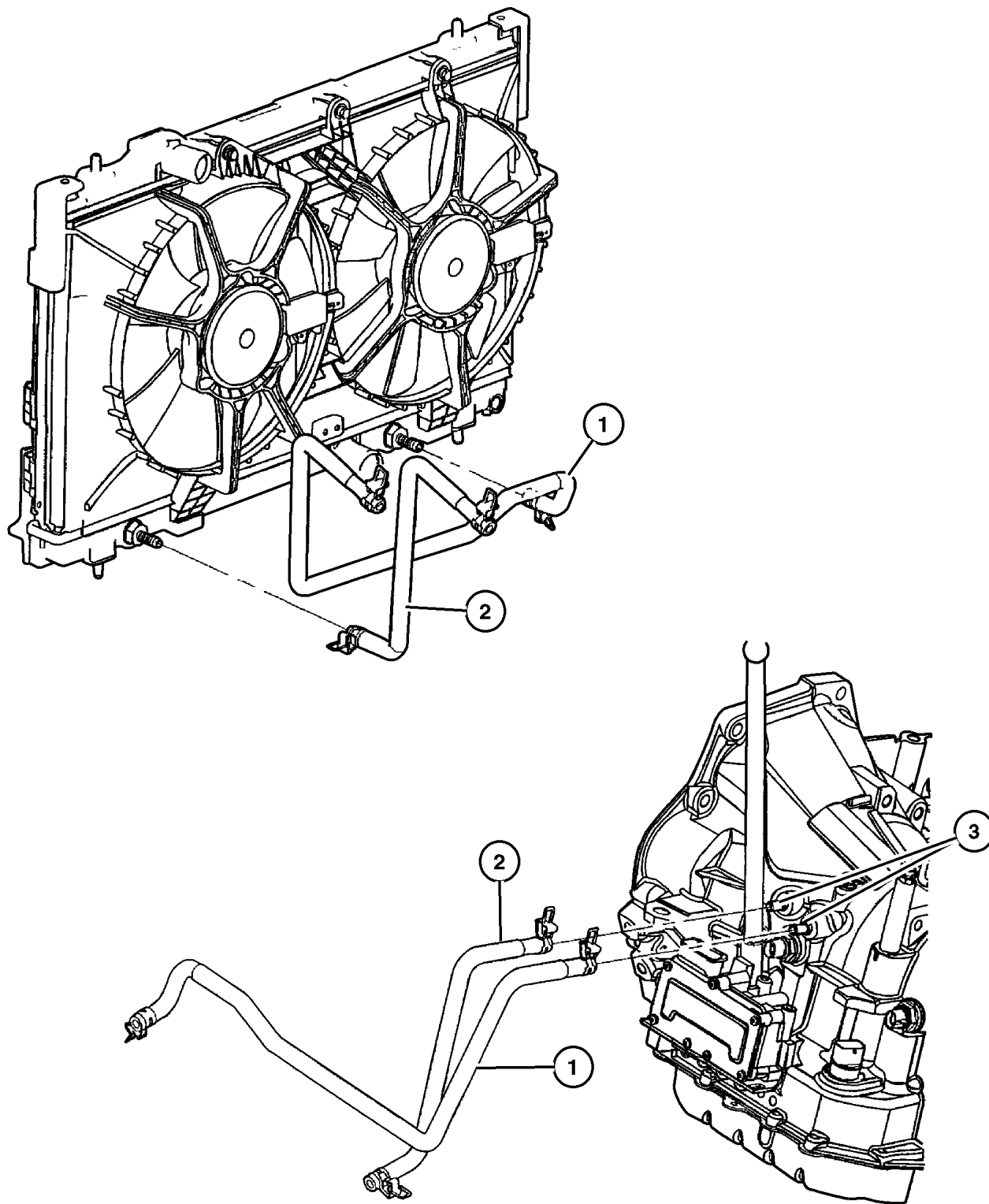
DODGE - CHRYSLER NEON (PL)				
SERIES	LINE	BODY	ENGINE	TRANSMISSION
L=Low Line	Z=Chrysler, RHD	41 = 4 Door,	ECB,EC0=2.0L 4 Cyl., 16V SMPI	DD5=5 Speed Manual
H=High Line	D=Dodge	104WB	ECH,EC0=2.0L 4 Cyl, 16V SOHC	DGC=3 Speed Automatic
	D=Chrysler		EJD,EJ0=1.6L 4 Cyl 16V, SOHC	DGL=4 Speed Automatic
	P=Plymouth		EBD,EB0=1.8L 4 Cyl 16V SEF	DG0=All Automatics
				DBB=All 5 Speed Manual

AR = Use as required - = Non illustrated part # = New this model year

May 2, 2002

Lines, Oil Cooler
Figure 007-603

ITEM	PART NUMBER	QTY	LINE	ENGINE	TRANS	DESCRIPTION
NOTE: Sales Codes:						
[DGC] = TRANSMISSION - 3-SPEED AUTOMATIC						
[DGL] = TRANSMISSION - 4-SPD. AUTOMATIC,41TE						
[ECB] = 2.0L SOHC 16V						
1						HOSE, Transmission Oil Pressure
	#5278 727AB	1			DGL	
	5278 031AC	1			DGC	
2						HOSE, Transmission Oil Return
	#5278 728AB	1			DGL	
	5278 032AC	1			DGC	
3						CONNECTOR, Oil Cooler Hose
	4809 377AA	2		ECB	DGL	
		2			DGC	

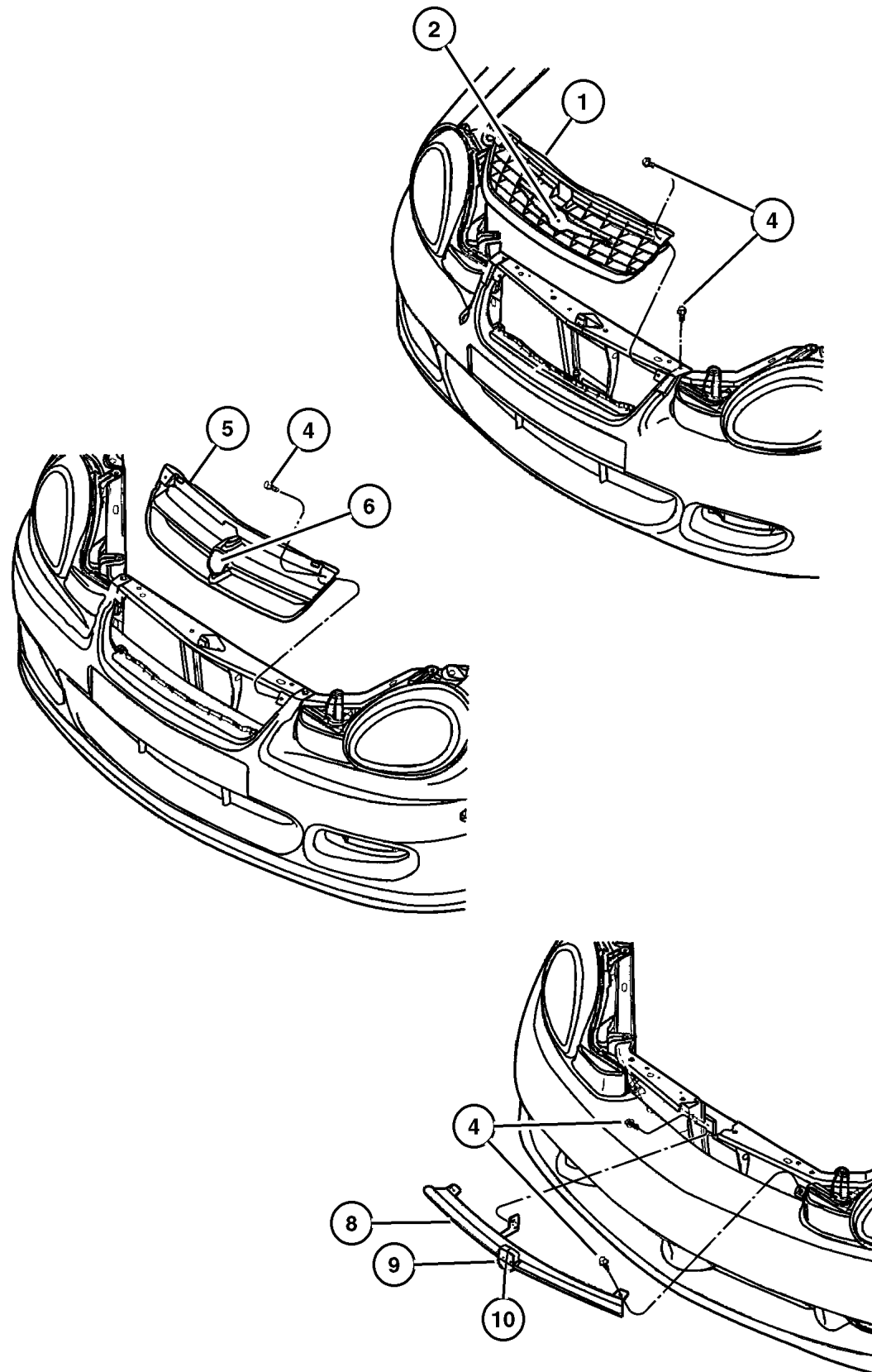


DODGE - CHRYSLER NEON (PL)				
SERIES	LINE	BODY	ENGINE	TRANSMISSION
L=Low Line	Z=Chrysler, RHD	41 = 4 Door,	ECB,EC0=2.0L 4 Cyl., 16V SMPI	DD5=5 Speed Manual
H=High Line	D=Dodge	104WB	ECH,EC0=2.0L 4 Cyl, 16V SOHC	DGC=3 Speed Automatic
	D=Chrysler		EJD,EJ0=1.6L 4 Cyl 16V, SOHC	DGL=4 Speed Automatic
	P=Plymouth		EBD,EB0=1.8L 4 Cyl 16V SEF	DG0=All Automatics
				DBB=All 5 Speed Manual

AR = Use as required - = Non illustrated part # = New this model year

May 2, 2002

Grille and Related Parts
Figure 007-703



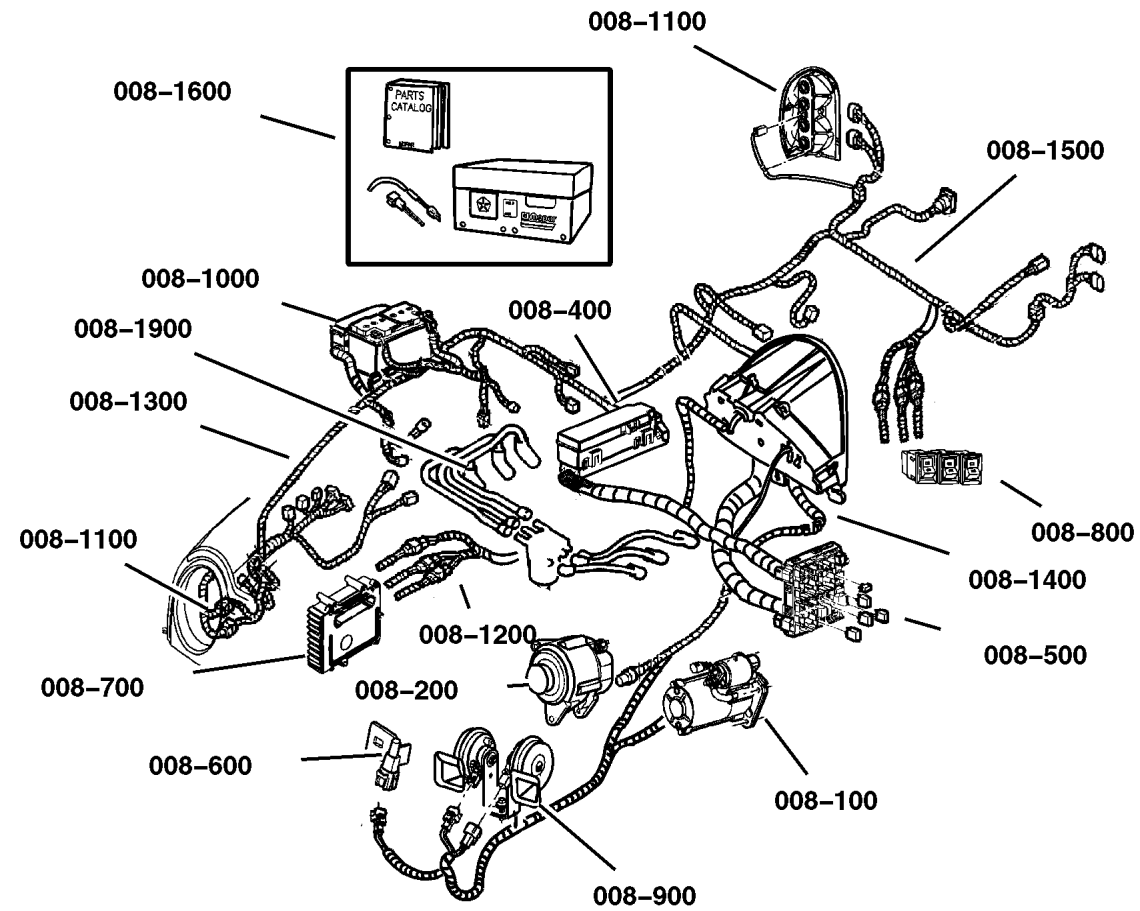
ITEM	PART NUMBER	QTY	LINE	ENGINE	TRANS	DESCRIPTION
NOTE: Sales Codes:						
[MUF] = CHRYSLER I.D. TAGS						
[MLX] = FASCIA - FRONT, PAINTED						
[MLD] = FASCIA - MOLDED-IN-COLOR, FRONT						
[MLW] = FASCIA - FRONT W/WIDE LICENSE POCKET						
1	5288 805AB	1				GRILLE, Radiator, Eggcrate, [MLW,MUF]
2	5288 887AA	1				MEDALLION, Grille
-3	5288 886AA	2				CLIP, Grille
4						SCREW, (NOT SERVICED)
5						GRILLE, Radiator, RT
	#TH44 DX8AA	1				[X8]
	#TH44 PR4AA	1				[R4]
	#TH44 SW1AA	1				[W1]
	#TH44 WS2AA	1				[S2]
6	4756 568	1	D			EMBLEM, Rams Head
-7	5288 886AA	2				CLIP, Grille
8						GRILLE, Radiator
	5288 922AC	1	D			Dodge, [MLD,MLX]
	5288 923AC	1	P			Plymouth, [MLD,MLX]
	5303 378AB	1				[MLD,MUF], CANADA
9	5288 927AA	1				MEDALLION, Grille, Plymouth
10	4756 568	1	D			EMBLEM, Rams Head, Dodge
-11	5288 886AA	2				CLIP, Grille

DODGE - CHRYSLER NEON (PL)				
SERIES	LINE	BODY	ENGINE	TRANSMISSION
L=Low Line	Z=Chrysler, RHD	41 = 4 Door,	ECB,EC0=2.0L 4 Cyl., 16V SMPI	DD5=5 Speed Manual
H=High Line	D=Dodge	104WB	ECH,EC0=2.0L 4 Cyl, 16V SOHC	DGC=3 Speed Automatic
	D=Chrysler		EJD,EJ0=1.6L 4 Cyl 16V, SOHC	DGL=4 Speed Automatic
	P=Plymouth		EBD,EB0=1.8L 4 Cyl 16V SEF	DG0=All Automatics
				DBB=All 5 Speed Manual

AR = Use as required - = Non illustrated part # = New this model year

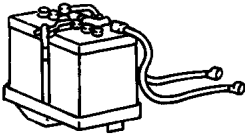
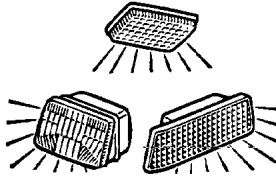
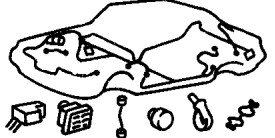
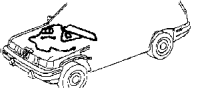



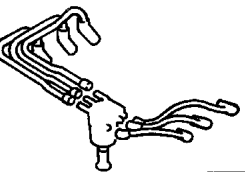
Group – 008

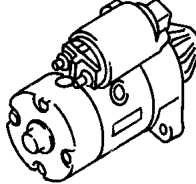
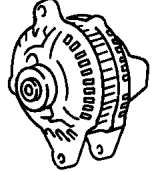
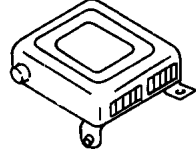
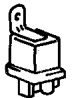
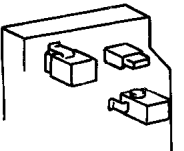
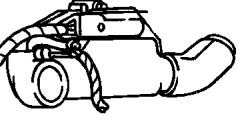
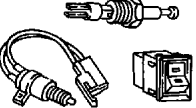
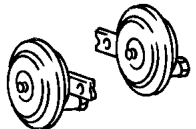
Electrical



Group – 008

Electrical

008-1000 Battery Tray and Cables 	008-1100 Lamps – Front, Rear and Courtesy 	008-1200 Wiring-Engine & Related Parts 	008-1300 Wiring-Headlamp to Dash 
008-1400 Wiring-Instrument Panel 	008-1500 Wiring-Body & Accessories 	008-1600 Wiring Repair 	008-1900 Spark Plugs-Cables-Coils 

008-100 Starters 	008-200 Alternators 	008-400 Modules 	008-500 Relays 
008-600 Sensors 	008-700 Single Board Engine Controllers 	008-800 Switches 	008-900 Horns 



GROUP 8 - Electrical

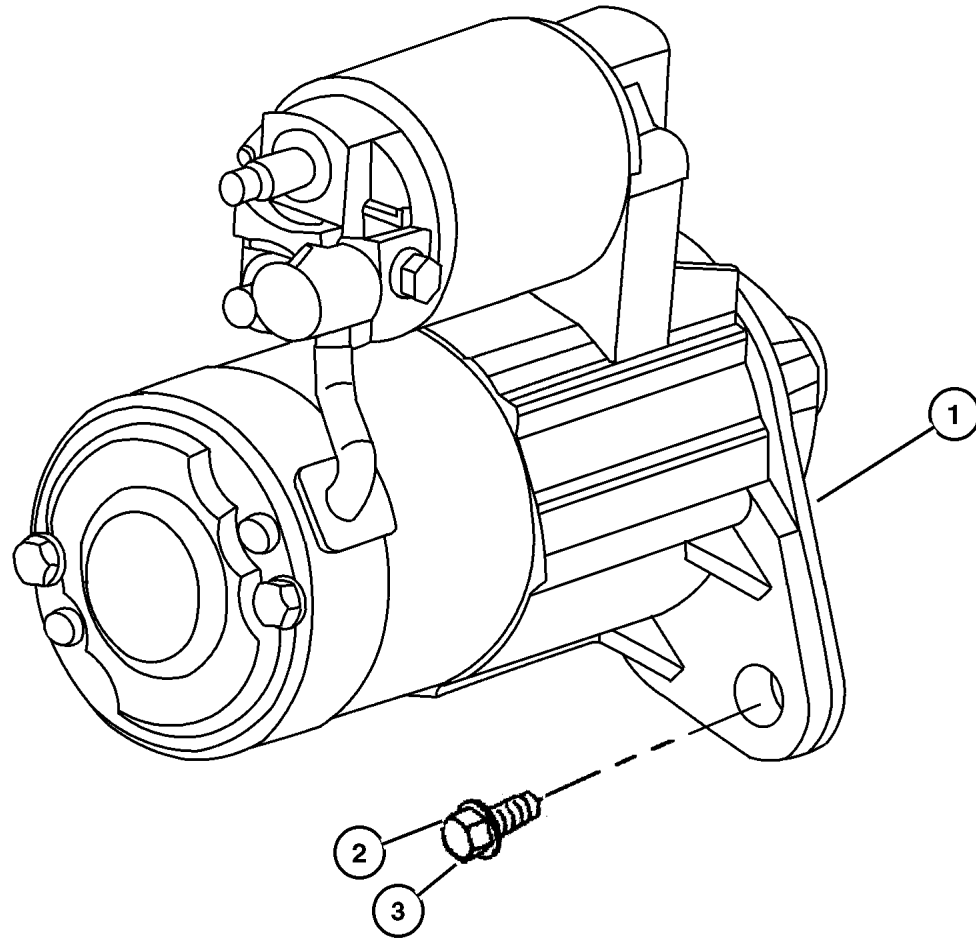
Illustration Title	Group-Fig. No.
Starters	
Starter	Fig. 008-105
Alternators	
Alternators	Fig. 008-205
Modules	
Modules, Electronic	Fig. 008-405
Relays	
Power Distribution Center - Relays , Fuses	Fig. 008-505
Fuse Block - Relay, Fuses, Circuit Breakers	Fig. 008-510
Sensors	
Sensors, Engine	Fig. 008-605
Sensors, Transmission	Fig. 008-610
Sensors, Body	Fig. 008-615
Single Board Engine Controllers	
Single Board Engine Controllers	Fig. 008-705
Switches	
Switches - Instrument Panel	Fig. 008-805
Switches - Power Train	Fig. 008-810
Switches - Body	Fig. 008-815
Horns	
Horns	Fig. 008-905
Battery Tray and Cables	
Battery Tray And Cables	Fig. 008-1005
Lamps - Front, Rear and Courtesy	
Lamps, Front	Fig. 008-1105
Lamps, Rear	Fig. 008-1110
Dome, Underhood and Cargo Lamps	Fig. 008-1115
Sockets And Bulbs	Fig. 008-1120
Wiring-Engine & Related Parts	
Wiring, Engine	Fig. 008-1205
Wiring-Headlamp to Dash	
Wiring, Headlamp and Power Distribution Center	Fig. 008-1305
Wiring-Instrument Panel	
Wiring, Instrument Panel	Fig. 008-1405
Wiring-Body & Accessories	
Wiring, Body and Accessories	Fig. 008-1505

GROUP 8 - Electrical

Illustration Title	Group-Fig. No.
Wiring Repair	
Wiring Repair Packages	Fig. 008-1605
Spark Plugs-Cables-Coils	
Spark Plugs, Cables, Coils	Fig. 008-1905

**Starter
Figure 008-105**

ITEM	PART NUMBER	QTY	LINE	SERIES	BODY	ENGINE	TRANS	DESCRIPTION
[EBD] = 1.8L 4 Cylinder SOHC 16V								
[ECH] = 2.0, 4 Cylinder SOHC 16V Hi Perf								
[ECB] = 2.0, 4 Cylinder SOHC 16V								
[EJD] = 1.6, 4 Cylinder SOHC 16V								
1								STARTER
	4793 493	1				EBD, ECB		
	#5033 133AA	1				ECH		
	#5293 135AA	1				EJD		
2	6102 018	2				EJD		BOLT, Hex Flange Head, M12x1.75x65
3	6502 717	2				ECB, ECH		SCREW AND WASHER, Hex Head, M10x1.5x50
-4	6101 809	1				EJD		NUT AND WASHER, Hex, M8x1.25

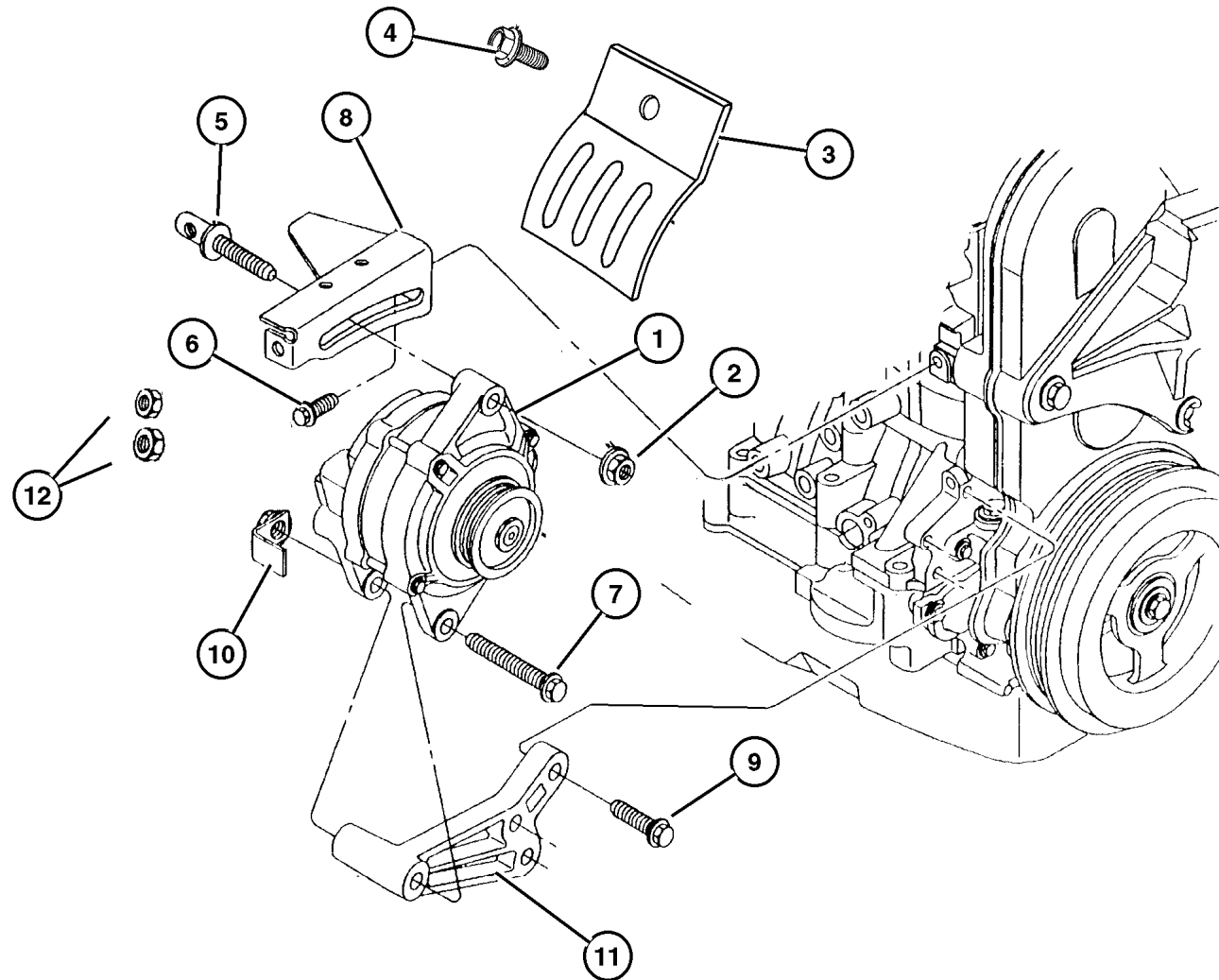


DODGE - CHRYSLER NEON (PL)				
SERIES	LINE	BODY	ENGINE	TRANSMISSION
L=Low Line	Z=Chrysler, RHD	41 = 4 Door,	ECB,EC0=2.0L 4 Cyl., 16V SMPI	DD5=5 Speed Manual
H=High Line	D=Dodge	104WB	ECH,EC0=2.0L 4 Cyl, 16V SOHC	DGC=3 Speed Automatic
	D=Chrysler		EJD,EJ0=1.6L 4 Cyl 16V, SOHC	DGL=4 Speed Automatic
	P=Plymouth		EBD,EB0=1.8L 4 Cyl 16V SEF	DG0=All Automatics
				DBB=All 5 Speed Manual

AR = Use as required - = Non illustrated part # = New this model year

May 2, 2002

Alternators Figure 008-205



ITEM	PART NUMBER	QTY	LINE	SERIES	BODY	ENGINE	TRANS	DESCRIPTION
[EJD] = 1.6, 4 Cylinder SOHC								
[ECH]= 2.0, 4 Cylinder SOHC 16V Hi Perf								
[ECB] = 2.0, 4 Cylinder SOHC 16V								
1								ALTERNATOR
	#4794 142AA	1				EJD		
	4794 222AA	1				ECH		
		1				ECB		
2								NUT AND WASHER, Hex Nut-Coned Washer, M10 x 1.5
	6101 448	1				ECH		
		1				ECB		
3								SHIELD, Alternator, (NOT SERVICED)
4								SCREW AND WASHER, Hex Head Lock, M8x1.25x95
	6503 705	1				ECH		
		1				ECB		
5								SCREW, Header Point, M10x1.50x50.00
	6504 286	1				ECH		
		1				ECB		
6								SCREW AND WASHER, Hex Head, M10x1.5x25
	6101 503	2				ECH		
		2				ECB		
7								SCREW AND WASHER, Hex Head, M10x1.5x105
	6101 623	1				ECH		
		1				ECB		
8								BRACKET, Alternator Adjusting Bracket
	4612 132AB	1				ECH		
		1				ECB		
9								SCREW AND WASHER, Hex Head, M10x1.5x45
	6101 512	3				ECH		
		3				ECB		
10								NUT AND RETAINER, Hex Flange Locking, M10 x 1.50
	6502 987	1				ECH		
		1				ECB		
11								BRACKET, Alternator Pivot Mounting
	4668 250	1				ECH		
		1				ECB		
12								NUT, Hex Flange Lock, M6x1

DODGE - CHRYSLER NEON (PL)

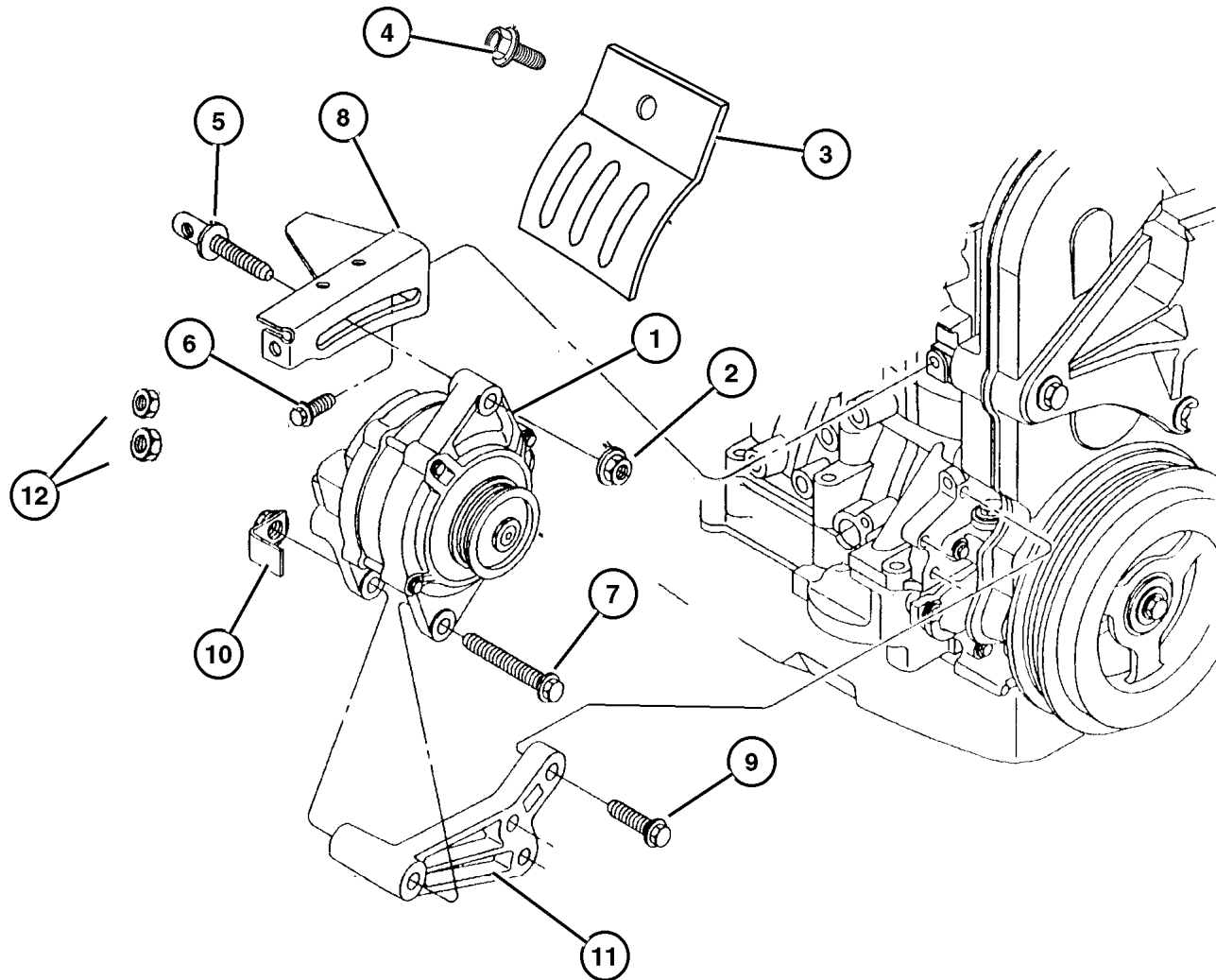
SERIES	LINE	BODY	ENGINE	TRANSMISSION
L=Low Line	Z=Chrysler, RHD	41 = 4 Door,	ECB,EC0=2.0L 4 Cyl., 16V SMPI	DD5=5 Speed Manual
H=High Line	D=Dodge	104WB	ECH,EC0=2.0L 4 Cyl, 16V SOHC	DGC=3 Speed Automatic
	D=Chrysler		EJD,EJ0=1.6L 4 Cyl 16V, SOHC	DGL=4 Speed Automatic
	P=Plymouth		EBD,EB0=1.8L 4 Cyl 16V SEF	DG0=All Automatics
				DBB=All 5 Speed Manual

AR = Use as required - = Non illustrated part # = New this model year

May 2, 2002

**Alternators
Figure 008-205**

ITEM	PART NUMBER	QTY	LINE	SERIES	BODY	ENGINE	TRANS	DESCRIPTION
	6502 691	1				ECH		
		1				ECB		

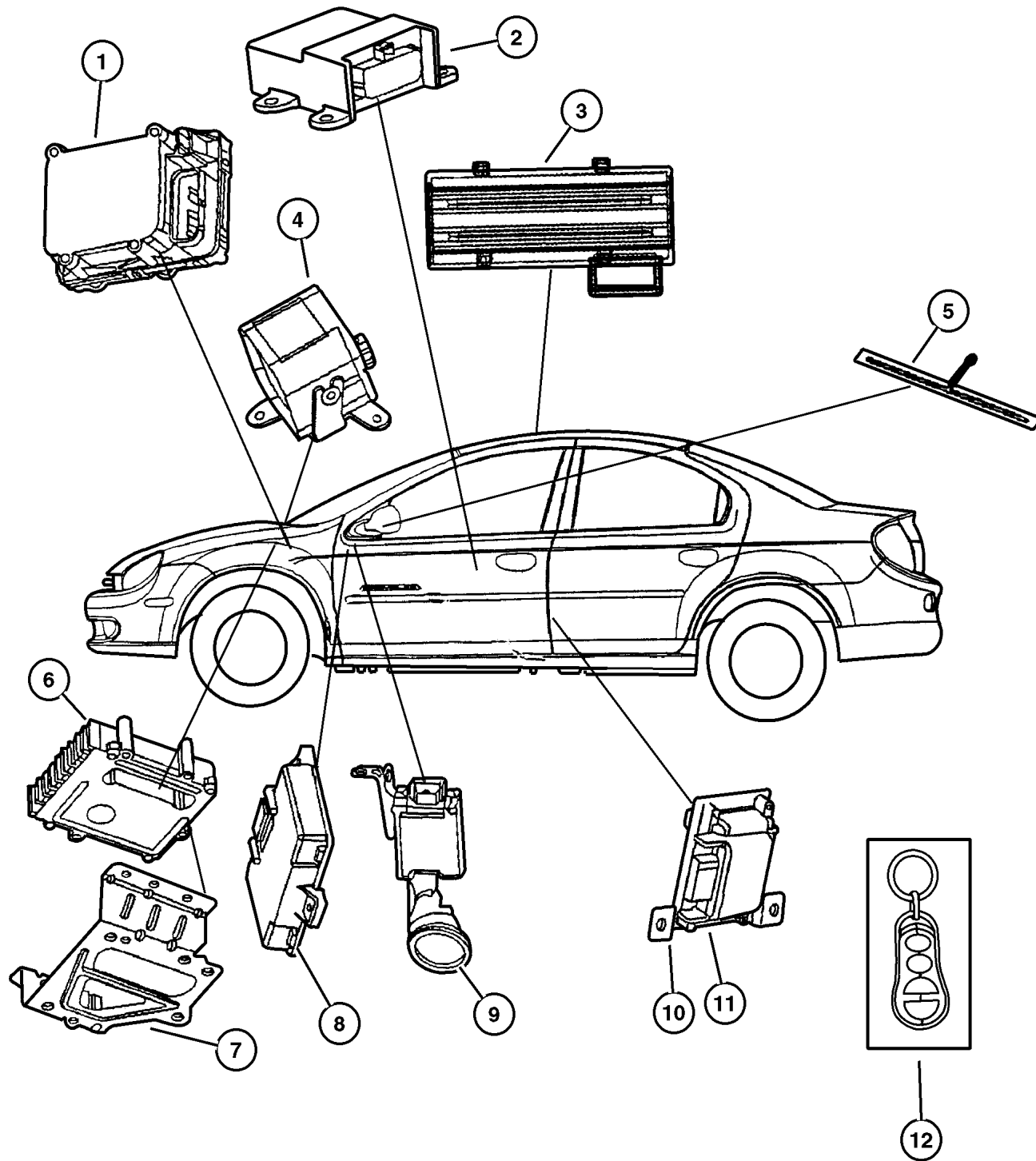


DODGE - CHRYSLER NEON (PL)				
SERIES	LINE	BODY	ENGINE	TRANSMISSION
L=Low Line	Z=Chrysler, RHD	41 = 4 Door,	ECB,EC0=2.0L 4 Cyl., 16V SMPI	DD5=5 Speed Manual
H=High Line	D=Dodge	104WB	ECH,EC0=2.0L 4 Cyl, 16V SOHC	DGC=3 Speed Automatic
	D=Chrysler		EJD,EJ0=1.6L 4 Cyl 16V, SOHC	DGL=4 Speed Automatic
	P=Plymouth		EBD,EB0=1.8L 4 Cyl 16V SEF	DG0=All Automatics
				DBB=All 5 Speed Manual

AR = Use as required - = Non illustrated part # = New this model year

May 2, 2002

Modules, Electronic
Figure 008-405



ITEM	PART NUMBER	QTY	LINE	SERIES	BODY	ENGINE	TRANS	DESCRIPTION
[ECB] = 2.0, 4 Cylinder SOHC 16V								
[DGL] = 4 SPEED AUTO (EATX)								
1	#5014 871AB	1						MODULE, Anti-Lock Brake System
2	5293 227AB	1						MODULE, Air Bag Control (EUROPEAN)
	#4671 773AA	1						without [MLW]
	#4671 774AA	1						with [MLW]
3	5008 606AA	1						CONTROL UNIT, Sunroof
4	4671 743AA	1						SIREN, Alarm, Export
5	4686 752AB	1						WIRING, Remote Keyless Entry Antenna, Export
6	#5033 790AD	1				ECB	DGL	MODULE, EATX
7	#5033 017AA	1				ECB	DGL	BRACKET, Transmission Control Unit
8	#5293 040AG	1						RECEIVER, Keyless Entry
	#5293 045AF	1	Z					
9	#4671 722AB	1						MODULE, Immobilizer
10	#4671 850AA	1						MODULE, Side Impact Right Export
	#5293 230AC	1						
11	#4671 849AA	1						MODULE, Side Impact Left Export
	#5293 231AC	1						
12	4759 008AD	2						TRANSMITTER, Keyless Entry
	4759 011AC	2						Export
	5293 046AA	2	Z					Export

DODGE - CHRYSLER NEON (PL)

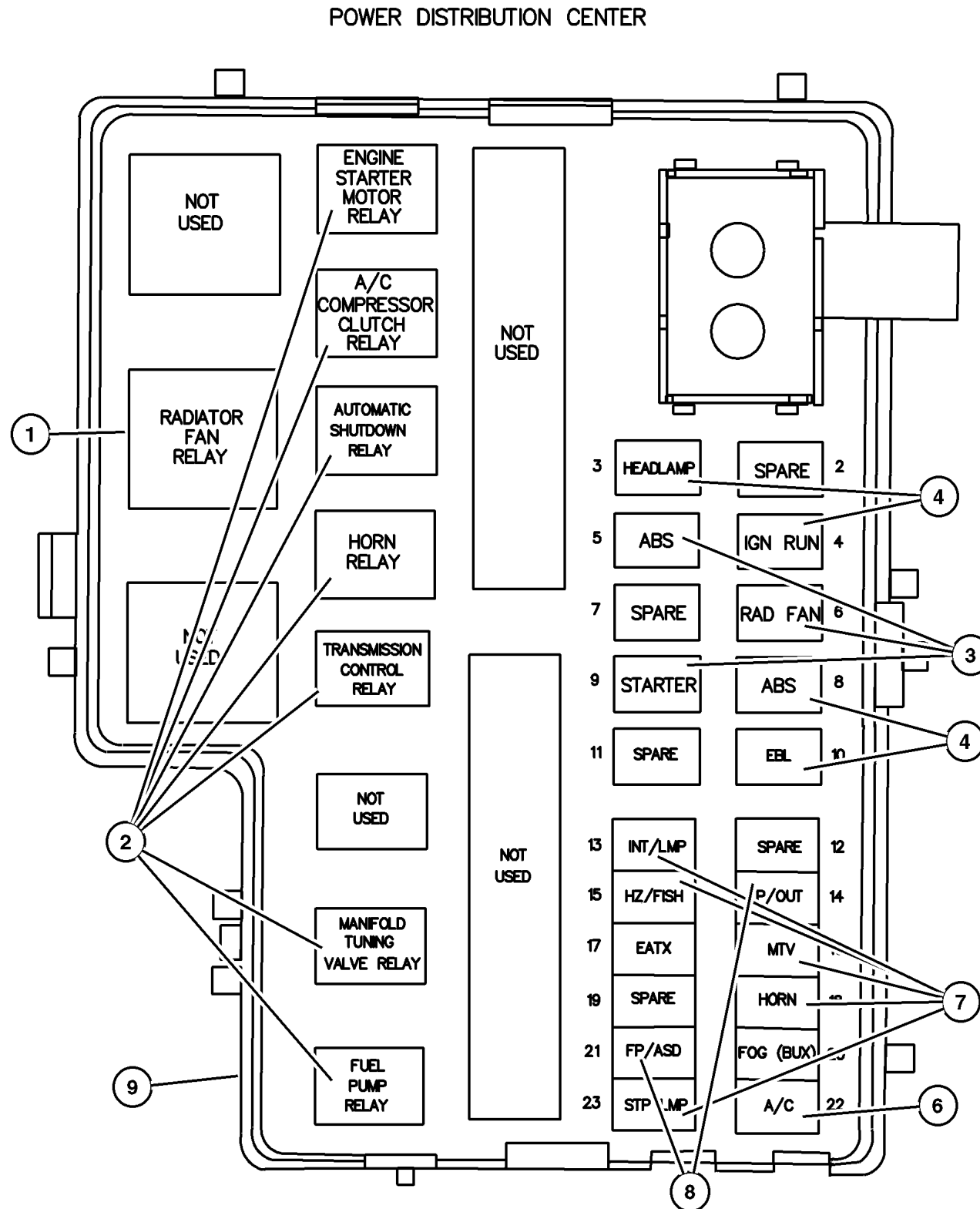
SERIES	LINE	BODY	ENGINE	TRANSMISSION
L=Low Line	Z=Chrysler, RHD	41 = 4 Door,	ECB,EC0=2.0L 4 Cyl., 16V SMPI	DD5=5 Speed Manual
H=High Line	D=Dodge	104WB	ECH,EC0=2.0L 4 Cyl, 16V SOHC	DGC=3 Speed Automatic
	D=Chrysler		EJD,EJ0=1.6L 4 Cyl 16V, SOHC	DGL=4 Speed Automatic
	P=Plymouth		EBD,EB0=1.8L 4 Cyl 16V SEF	DG0=All Automatics
				DBB=All 5 Speed Manual

AR = Use as required - = Non illustrated part # = New this model year

May 2, 2002

Power Distribution Center - Relays , Fuses
Figure 008-505

ITEM	PART NUMBER	QTY	LINE	SERIES	BODY	ENGINE	TRANS	DESCRIPTION
[DGL] = 4 SPEED AUTO (EATX)								
1	4638 094	1	D, P				DGL	RELAY PACKAGE, Electrical Radiator Fan
2	5269 988AA	1	Z				DGL	RELAY, Mini, Starter,Fuel Pump,Horn,A/C Clutch
3	6102 076AA	3	D, P				DGL	FUSE CARTRIDGE, 30 Amp
4	6102 077AA	3	D, P				DGL	FUSE CARTRIDGE, 40 Amp
-5	4671 714AA	1	D, P					FLASHER
	4671 715AA	1						Export
6	00AT M10	2						FUSE, Mini, 10 AMP, Red
7	00AT M15	1						FUSE, Mini, 15 AMP, Light Blue, Manifold Tuning Valve
8	6101 488	1						FUSE, Mini, 20 AMP, Yellow, Wiper HOUSING, Fuse And Relay Center, Power Distribution Center
9	4793 903AD	1						
-10	4793 904AC	1						COVER, Power Distribution Center Upper
	4794 076AB	1						Lower



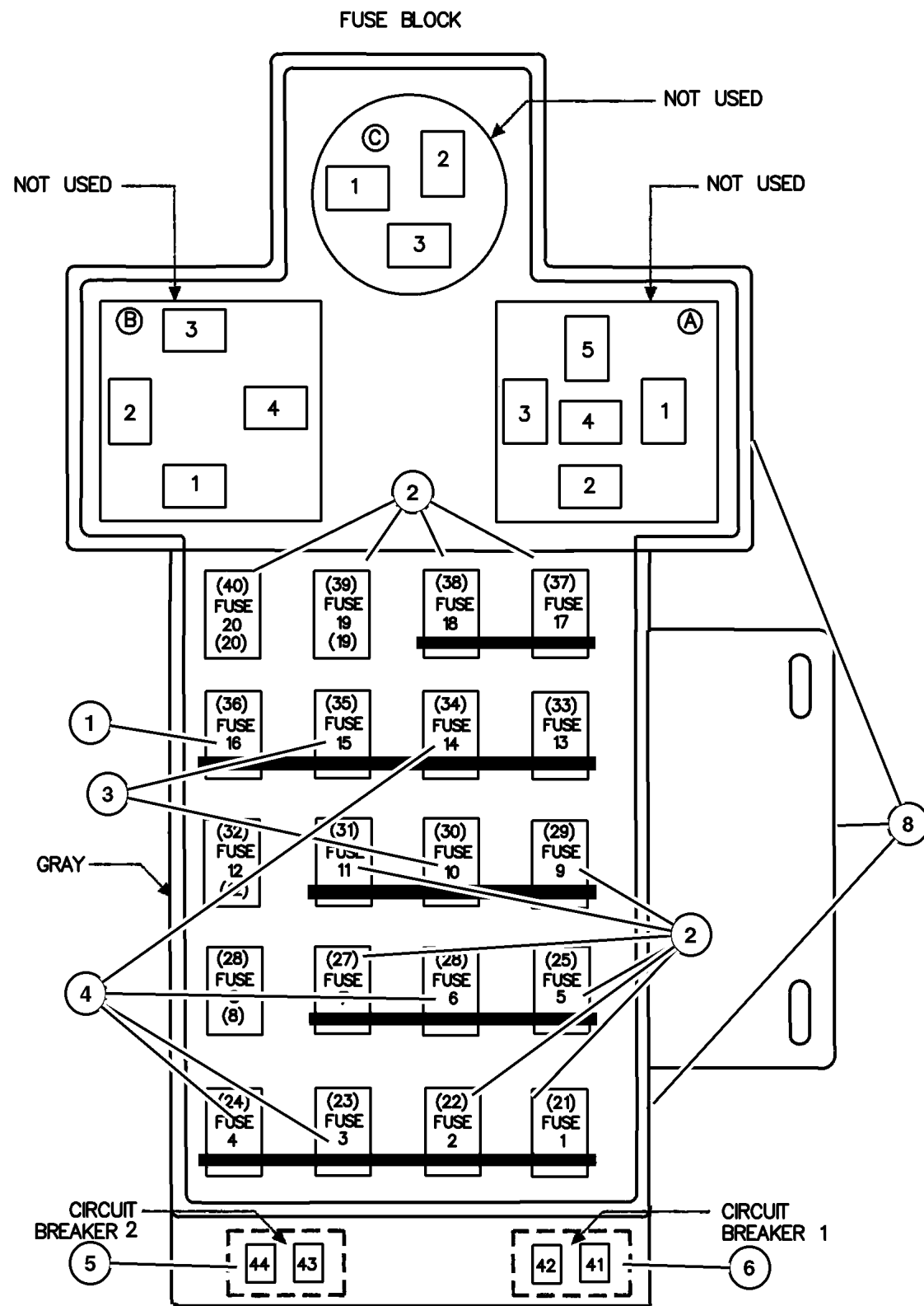
DODGE - CHRYSLER NEON (PL)

SERIES	LINE	BODY	ENGINE	TRANSMISSION
L=Low Line	Z=Chrysler, RHD	41 = 4 Door,	ECB,EC0=2.0L 4 Cyl., 16V SMPI	DD5=5 Speed Manual
H=High Line	D=Dodge	104WB	ECH,EC0=2.0L 4 Cyl, 16V SOHC	DGC=3 Speed Automatic
	D=Chrysler		EJD,EJ0=1.6L 4 Cyl 16V, SOHC	DGL=4 Speed Automatic
	P=Plymouth		EBD,EB0=1.8L 4 Cyl 16V SEF	DG0=All Automatics
				DBB=All 5 Speed Manual

AR = Use as required - = Non illustrated part # = New this model year

May 2, 2002

Fuse Block - Relay, Fuses, Circuit Breakers Figure 008-510



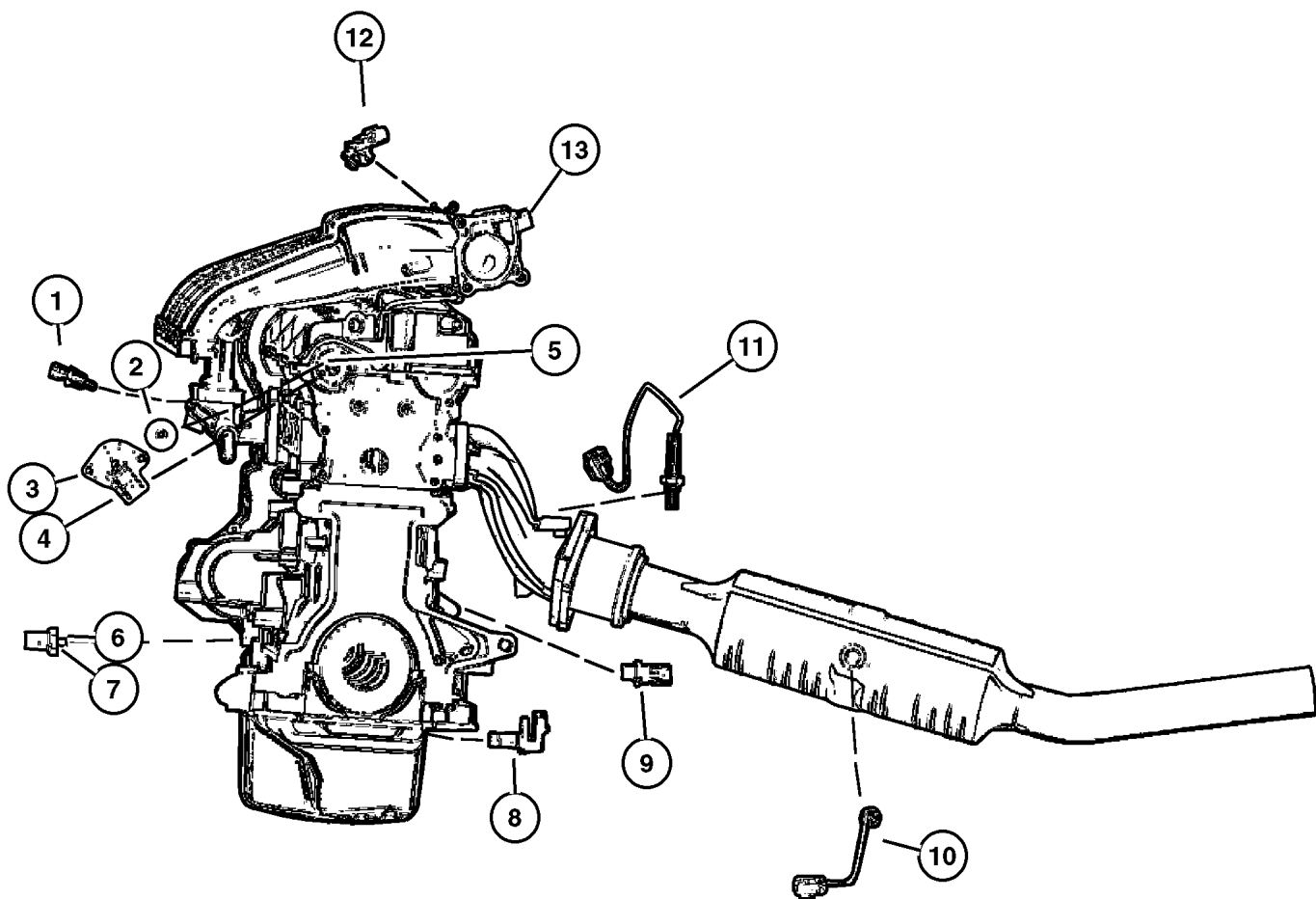
ITEM	PART NUMBER	QTY	LINE	SERIES	BODY	ENGINE	TRANS	DESCRIPTION
1	000A TM5	1	D, P					FUSE, Mini, 5 Amp, Tan
		1	Z					
2	00AT M10	2						FUSE, Mini, 10 AMP, Red
3	00AT M15	1						FUSE, Mini, 15 AMP, Light Blue
4	6101 488	1						FUSE, Mini, 20 AMP, Yellow
5	4527 053	1	D, P					BREAKER, Circuit 25 AMP
		1	Z					25 AMP
6	4414 333	1						BREAKER, Circuit, 30 AMP
-7								FLASHER, LOCATED IN MULTIFUNCTION SWITCH
	4671 714AA	1	D, P					Export
	4671 715AA	1						BLOCK, Fuse, (NOT SERVICED)
8								

DODGE - CHRYSLER NEON (PL)				
SERIES	LINE	BODY	ENGINE	TRANSMISSION
L=Low Line	Z=Chrysler, RHD	41 = 4 Door,	ECB,EC0=2.0L 4 Cyl., 16V SMPI	DD5=5 Speed Manual
H=High Line	D=Dodge	104WB	ECH,EC0=2.0L 4 Cyl, 16V SOHC	DGC=3 Speed Automatic
	D=Chrysler		EJD,EJ0=1.6L 4 Cyl 16V, SOHC	DGL=4 Speed Automatic
	P=Plymouth		EBD,EB0=1.8L 4 Cyl 16V SEF	DG0=All Automatics
				DBB=All 5 Speed Manual

AR = Use as required - = Non illustrated part # = New this model year

May 2, 2002

Sensors, Engine Figure 008-605



ITEM	PART NUMBER	QTY	LINE	SERIES	BODY	ENGINE	TRANS	DESCRIPTION
[EJD]=1.6L SOHC								
[ECH]=2.0L SOHC HI PERF								
[ECB]=2.0L SOHC								
[DGL]= 4 Speed Automatic								
[DGC]=3 Speed Automatic								
1								SENSOR, Coolant Temperature
	5269 870AB	1				EJD		
	5602 7873	1				ECH		
		1				ECB		
2								CAM MAGNET, Target
	5269 547	1				ECH		
		1				ECB		
3								SENSOR PACKAGE, Camshaft
	4882 850AC	1				ECH		
		1				ECB		
4	#5293 161AA	1				EJD		SENSOR, Camshaft
5								SEAL, Camshaft Sensor
	4884 111AA	1				ECH		
		1				ECB		
6								SENSOR, Knock
	4557 667	1				ECH		
		1				ECB		
7	#4606 093AC	1				EJD		SENSOR, Detonation
8								SENSOR, Crankshaft Position
	5269 703	1				ECH		
		1				ECB		
	#5293 093AA	1				EJD		SWITCH, Oil Pressure
	4608 303	1				ECH		
		1				ECB		
		1				EJD		
10								SENSOR, Oxygen Downstream
	5033 039AA	1				ECB,		
		1				ECH		
	#5033 081AA	1				ECB		Downstream (California)
		1				EJD		Downstream
	#5033 188AA	1				ECB,		Export
		1				ECH		
11								SENSOR, Oxygen Upstream
	#4686 736AB	1				EJD		Upstream
	5269 868AB	1				ECB		Upstream
		1				ECH		Upstream
12								SENSOR, Map

DODGE - CHRYSLER NEON (PL)

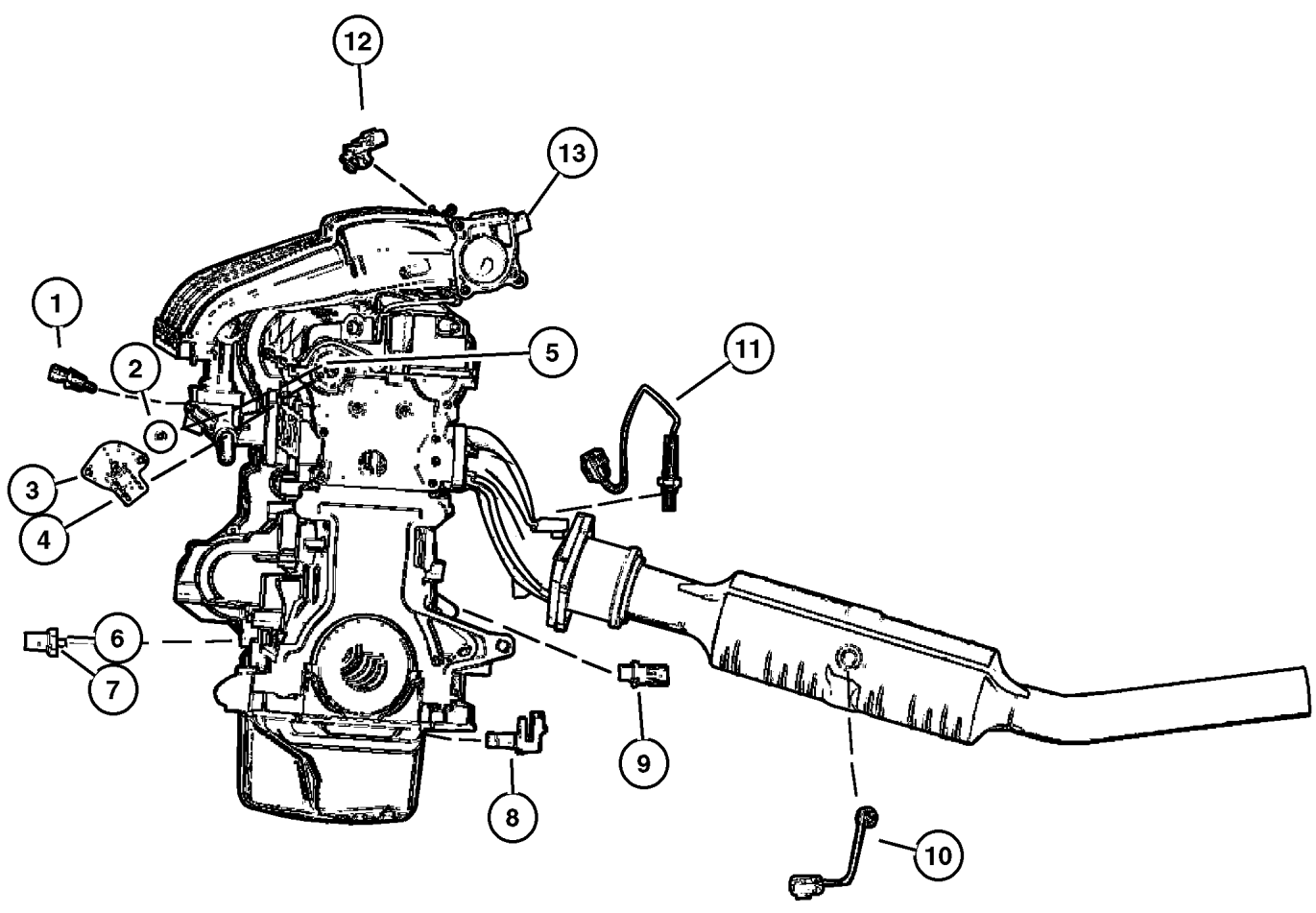
SERIES	LINE	BODY	ENGINE	TRANSMISSION
L=Low Line	Z=Chrysler, RHD	41 = 4 Door,	ECB,EC0=2.0L 4 Cyl., 16V SMPI	DD5=5 Speed Manual
H=High Line	D=Dodge	104WB	ECH,EC0=2.0L 4 Cyl, 16V SOHC	DGC=3 Speed Automatic
	D=Chrysler		EJD,EJ0=1.6L 4 Cyl 16V, SOHC	DGL=4 Speed Automatic
	P=Plymouth		EBD,EB0=1.8L 4 Cyl 16V SEF	DG0=All Automatics
				DBB=All 5 Speed Manual

AR = Use as required - = Non illustrated part # = New this model year

May 2, 2002

Sensors, Engine
Figure 008-605

ITEM	PART NUMBER	QTY	LINE	SERIES	BODY	ENGINE	TRANS	DESCRIPTION
	4686 684AA	1				EJD		
		1				ECH		
		1				ECB		
13								SENSOR KIT, Throttle Position
	4874 430AB	1				ECB	DGL	
		1				ECB	DGC	
		1				EBD, ECB, ECH	DD5	
-14								SENSOR, Temperature
	5293 138AA	1				ECB, ECH	DD5	Air temperature inlet
		1				EJD		Air temperature inlet



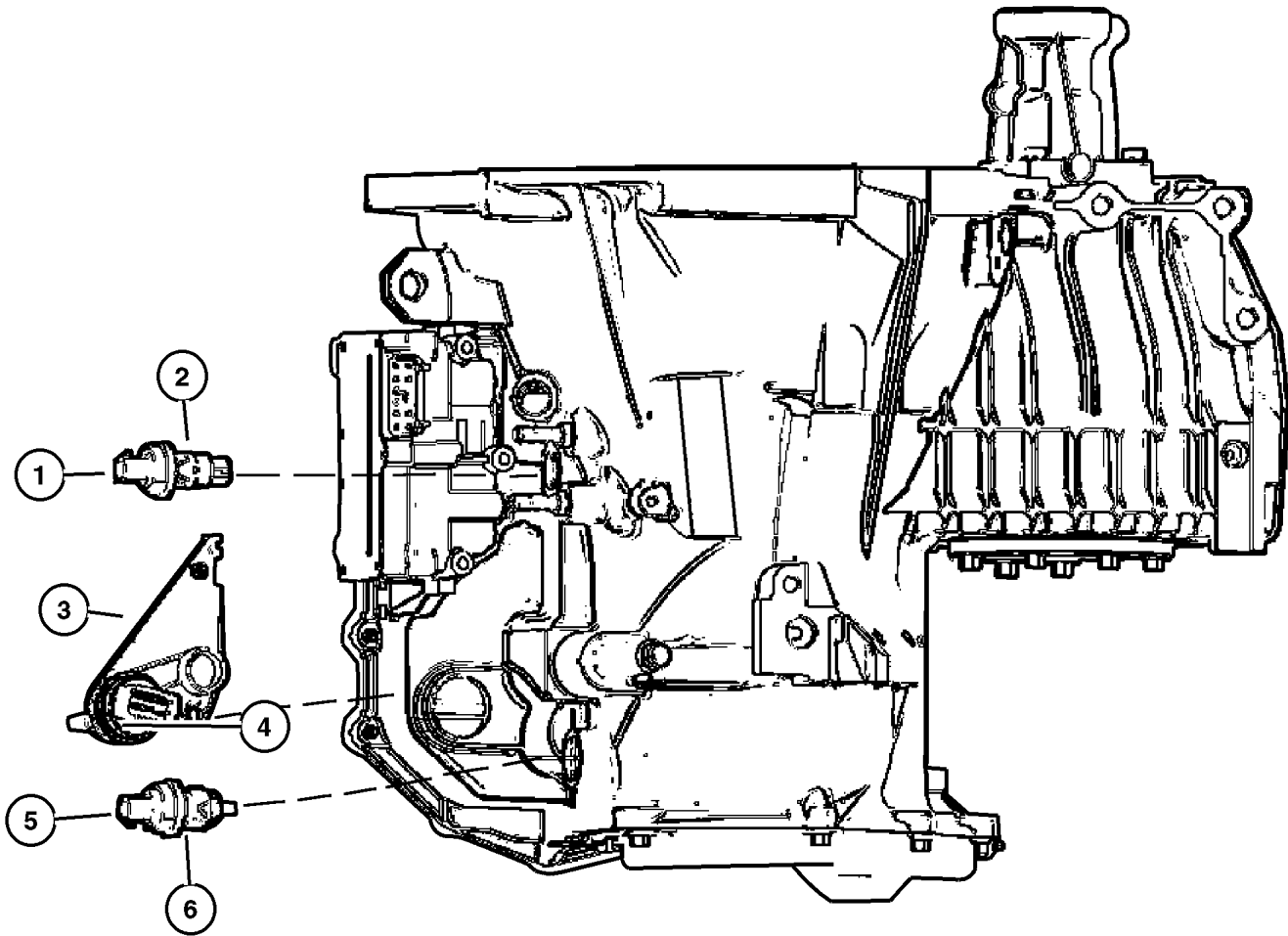
DODGE - CHRYSLER NEON (PL)				
SERIES	LINE	BODY	ENGINE	TRANSMISSION
L=Low Line	Z=Chrysler, RHD	41 = 4 Door,	ECB,EC0=2.0L 4 Cyl., 16V SMPI	DD5=5 Speed Manual
H=High Line	D=Dodge	104WB	ECH,EC0=2.0L 4 Cyl, 16V SOHC	DGC=3 Speed Automatic
	D=Chrysler		EJD,EJ0=1.6L 4 Cyl 16V, SOHC	DGL=4 Speed Automatic
	P=Plymouth		EBD,EB0=1.8L 4 Cyl 16V SEF	DG0=All Automatics
				DBB=All 5 Speed Manual

AR = Use as required - = Non illustrated part # = New this model year

May 2, 2002

Sensors, Transmission
Figure 008-610

ITEM	PART NUMBER	QTY	LINE	SERIES	BODY	ENGINE	TRANS	DESCRIPTION
[ECB]=2.0L								
[DGL]=4-SPD. AUTOMATIC,41TE								
[DD5] - 5 SPEED MANUAL TRANSMISSION								
[DGC] = 3 SPEED AUTOMATIC TRANSMISSION								
1	4800 878	1				ECB	DGL	SENSOR, Transmission Input Speed
2	6501 657AB	1				ECB	DGL	O RING, Trans Speed Sensor
3	4659 676AC	1				ECB	DGL	SENSOR, Transmission Range
4	4659 678	1				ECB	DGL	SEAL, Manual Valve Position Sensor
5	4800 879	1				ECB	DGL	SENSOR, Transmission Output Speed
6	6501 658AB	1				ECB	DGL	O RING, Trans Speed Sensor
-7	4707 839AA	1					DD5, DGC	SENSOR, Vehicle Speed



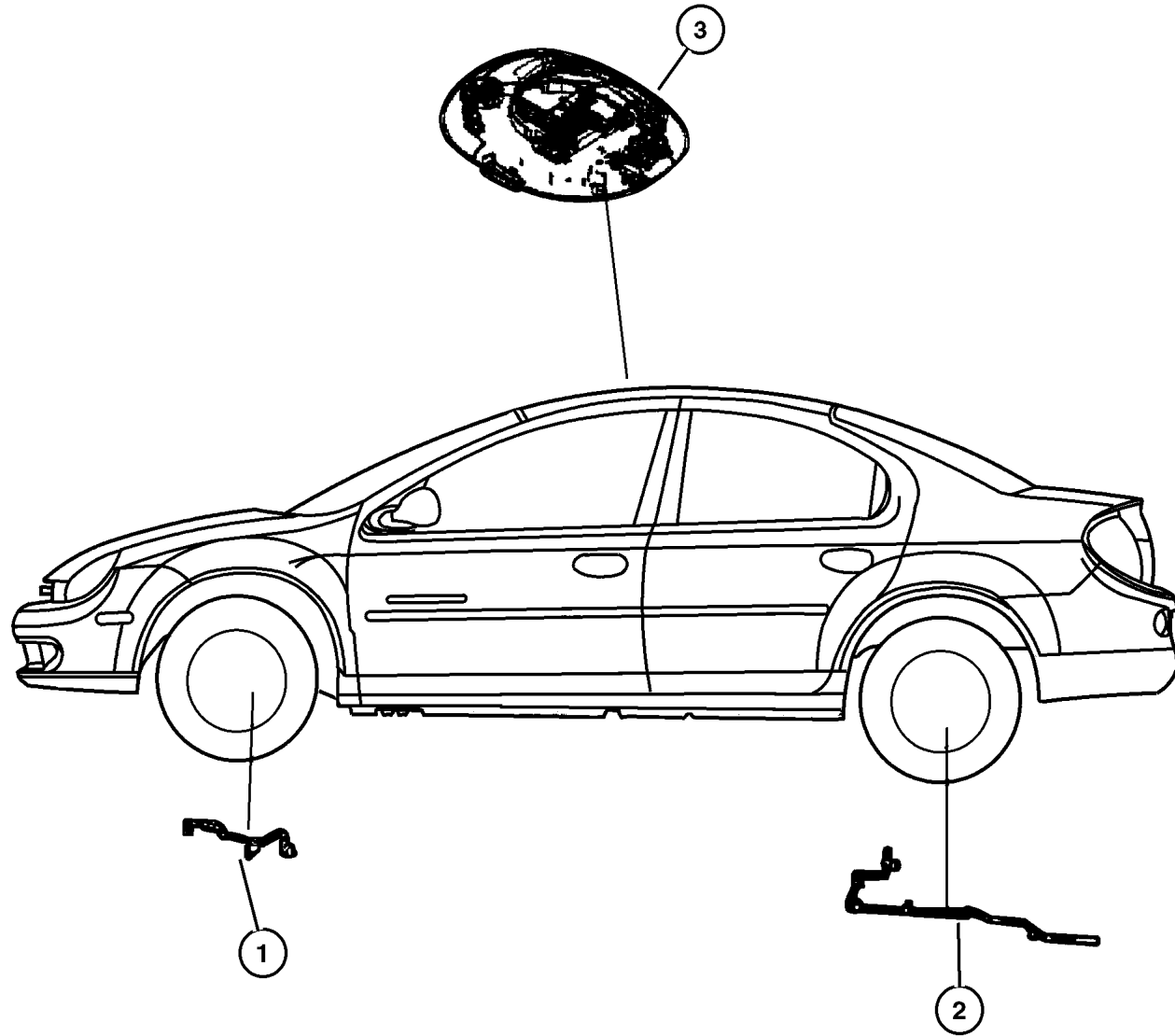
DODGE - CHRYSLER NEON (PL)				
SERIES	LINE	BODY	ENGINE	TRANSMISSION
L=Low Line	Z=Chrysler, RHD	41 = 4 Door,	ECB,EC0=2.0L 4 Cyl., 16V SMPI	DD5=5 Speed Manual
H=High Line	D=Dodge	104WB	ECH,EC0=2.0L 4 Cyl, 16V SOHC	DGC=3 Speed Automatic
	D=Chrysler		EJD,EJ0=1.6L 4 Cyl 16V, SOHC	DGL=4 Speed Automatic
	P=Plymouth		EBD,EB0=1.8L 4 Cyl 16V SEF	DG0=All Automatics
				DBB=All 5 Speed Manual

AR = Use as required - = Non illustrated part # = New this model year

May 2, 2002

**Sensors, Body
Figure 008-615**

ITEM	PART NUMBER	QTY	LINE	SERIES	BODY	ENGINE	TRANS	DESCRIPTION
1	5273 332	1						SENSOR, Anti-Lock Brakes Right Front
	5273 333	1						Left Front
2	5273 330	1						SENSOR, Anti-Lock Brakes Right Rear
	5273 331	1						Left Rear
3	RP45 TL2AC	1						SENSOR, Intrusion Module

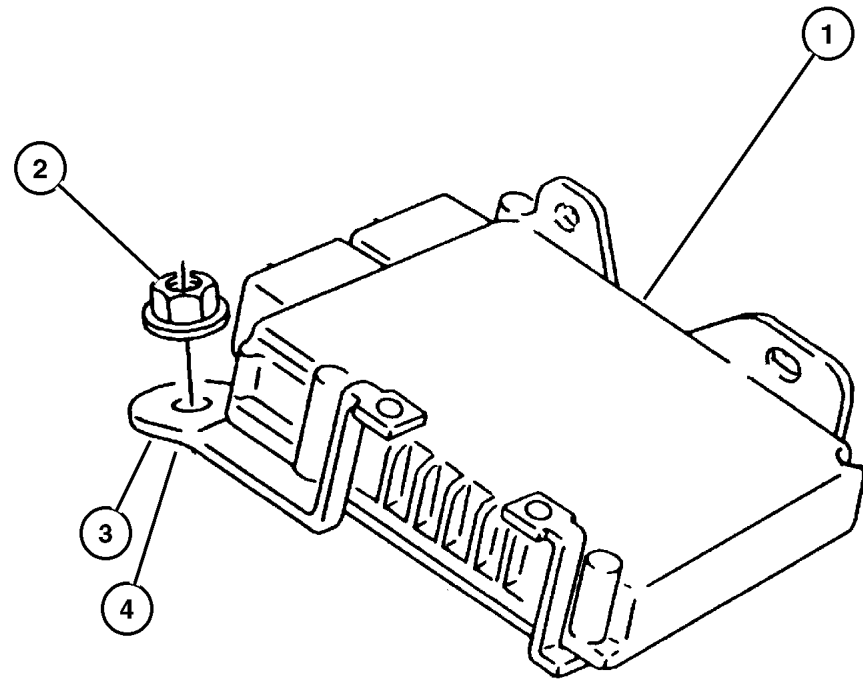


DODGE - CHRYSLER NEON (PL)				
SERIES	LINE	BODY	ENGINE	TRANSMISSION
L=Low Line	Z=Chrysler, RHD	41 = 4 Door,	ECB,EC0=2.0L 4 Cyl., 16V SMPI	DD5=5 Speed Manual
H=High Line	D=Dodge	104WB	ECH,EC0=2.0L 4 Cyl, 16V SOHC	DGC=3 Speed Automatic
	D=Chrysler		EJD,EJ0=1.6L 4 Cyl 16V, SOHC	DGL=4 Speed Automatic
	P=Plymouth		EBD,EB0=1.8L 4 Cyl 16V SEF	DG0=All Automatics
				DBB=All 5 Speed Manual

AR = Use as required - = Non illustrated part # = New this model year

May 2, 2002

**Single Board Engine Controllers
Figure 008-705**



ITEM	PART NUMBER	QTY	LINE	SERIES	BODY	ENGINE	TRANS	DESCRIPTION
[EJD] = 1.6, 4 Cylinder SOHC								
[ECH]= 2.0, 4 Cylinder SOHC 16V Hi Perf								
[ECB] = 2.0, 4 Cylinder SOHC 16V								
[NZB] = Reduced Output								
[NA1] = Export Emissions								
[NZ5] = High Speed Controller								
[NA3] = European Emissions								
[NBV] = Low Emission Vehicle								
[DGC]= AUTOMATIC 3-SPEED								
[DD5]= MANUAL 5-SPEED								
[DGL] = 4 SPEED AUTO (EATX)								
1								MODULE, Engine Controller
	#5033 021AC	1				ECH	DD5	US 50 States
	#5033 068AD	1	D, P			ECB	DD5	
	#5033 176AA	1				ECB	DD5	with [NA1] + [NZ5] without [NZB], Export
	#5293 103AC	1				ECB	DGC	Export
	#5293 105AC	1	D, P			ECB	DGC	with [NA3] + [NZ5] without [NZB], Export
	#5293 106AC	1	D, P			ECB	DGC	Calif.
	#5293 107AC	1	D, P			ECB	DGC	Federal
	#5293 108AC	1	Z			ECB	DGC	Export
	#5293 112AC	1				ECB	DD5	with [NA3] + [NZ5] without [NZB], Export
	#5293 113AC	1				ECB	DD5	with [NA1] without [NZ5] or [NZB], Export
	#5033 022AC	1				ECH	DD5	with [NA3] + [NZ5], Export
	#5033 023AC	1				ECH	DD5	with [NA1] + [NZ5], Export
	#5033 027AC	1				ECB	DGL	with [NAB], Export
	#5033 029AD	1				ECB	DGL	with [NA1] without [NZ5] or [NZB], Export
	#5033 058AD	1				ECB	DGL	with [NA3] + [NZ5] without [NZB], Export
	#5033 059AD	1				ECB	DGL	with [NA1] + [NZ5] without [NZB], Export
	#5033 060AD	1				ECB	DGL	Federal
	#5033 088AA	1				EJD		with [NBV], Export
	#5033 089AB	1				EJD		with [NA3], Export
	#5033 090AB	1				EJD		with [NA1], Export
	#5293 105AF	1				ECB	DGC	with [NA3], [NZ5], Export
	#5293 103AF	1				ECB	DGC	Mexico Emissions
2	6100 048	3						NUT, Hex, M6x1.00

DODGE - CHRYSLER NEON (PL)

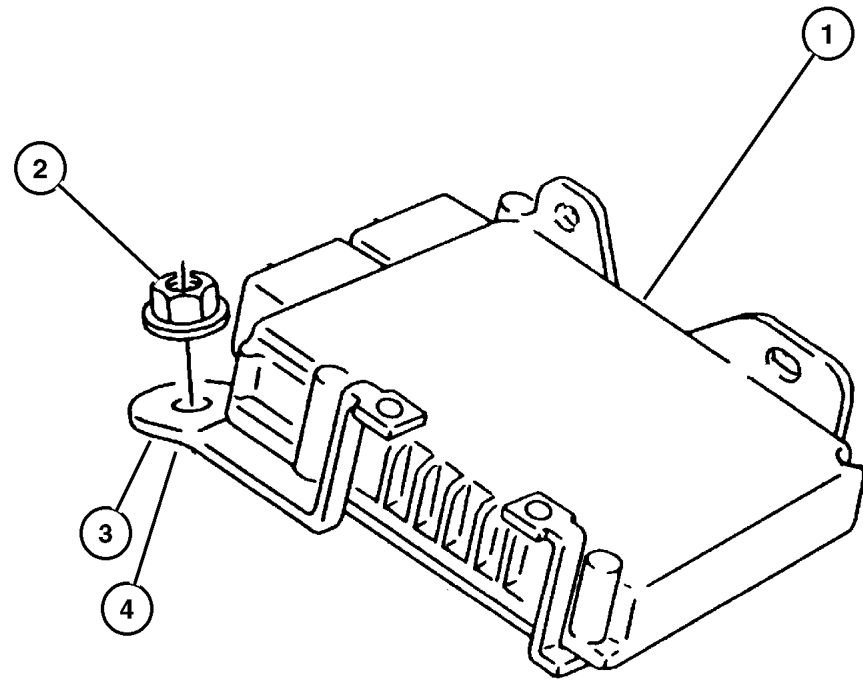
SERIES	LINE	BODY	ENGINE	TRANSMISSION
L=Low Line	Z=Chrysler, RHD	41 = 4 Door,	ECB,EC0=2.0L 4 Cyl., 16V SMPI	DD5=5 Speed Manual
H=High Line	D=Dodge	104WB	ECH,EC0=2.0L 4 Cyl, 16V SOHC	DGC=3 Speed Automatic
	D=Chrysler		EJD,EJ0=1.6L 4 Cyl 16V, SOHC	DGL=4 Speed Automatic
	P=Plymouth		EBD,EB0=1.8L 4 Cyl 16V SEF	DG0=All Automatics
				DBB=All 5 Speed Manual

AR = Use as required - = Non illustrated part # = New this model year

May 2, 2002

**Single Board Engine Controllers
Figure 008-705**

ITEM	PART NUMBER	QTY	LINE	SERIES	BODY	ENGINE	TRANS	DESCRIPTION
3	#5033 086AA	1				EJD		BRACKET, Engine Control Module
4	#5033 017AA	1				ECB	DGL	BRACKET, Transmission Control Unit, Also holds Trans Control Module
-5	6504 505	4				ECB	DGL	SCREW, Hex Head, M6x1x16

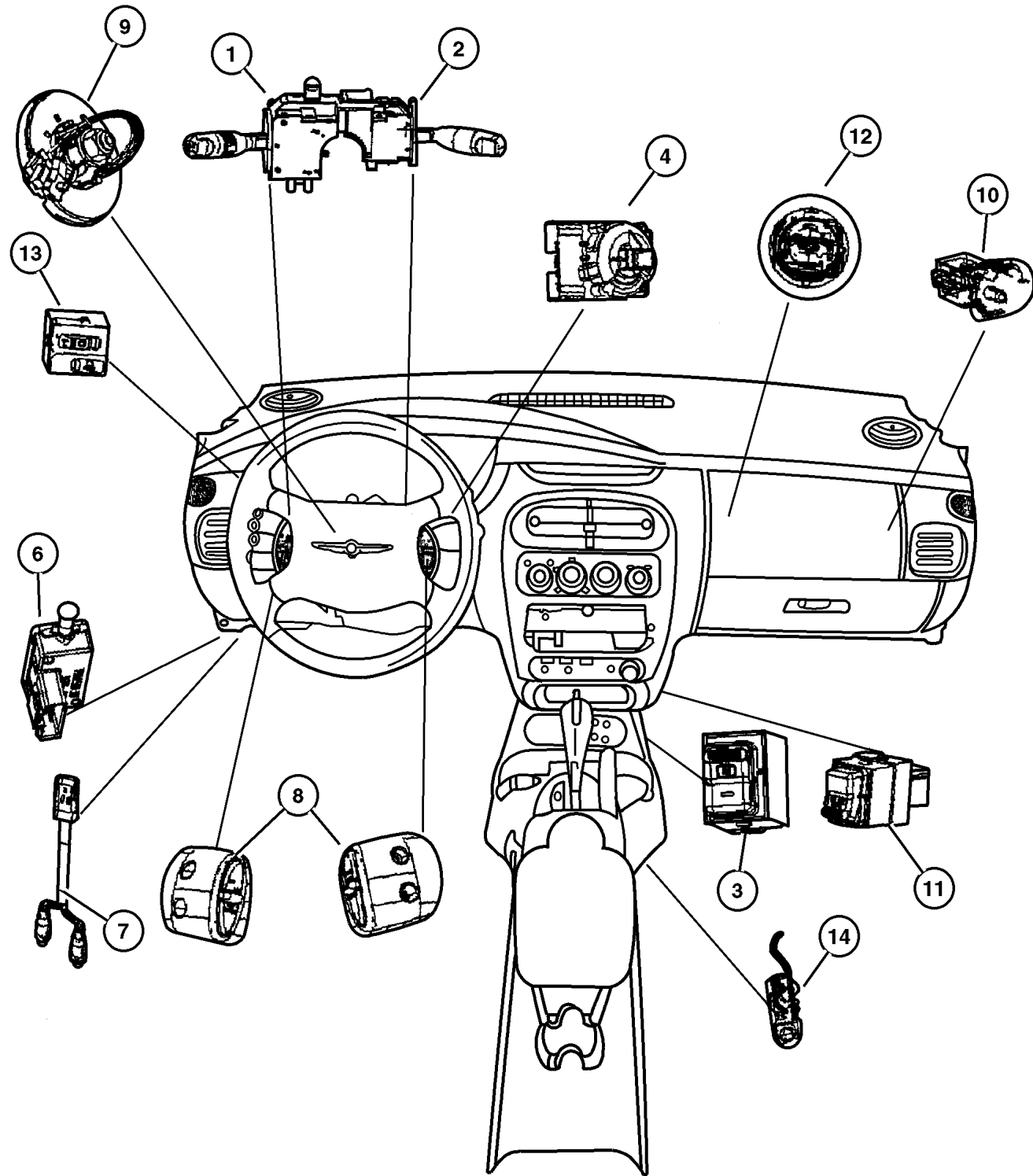


DODGE - CHRYSLER NEON (PL)				
SERIES	LINE	BODY	ENGINE	TRANSMISSION
L=Low Line	Z=Chrysler, RHD	41 = 4 Door,	ECB,EC0=2.0L 4 Cyl., 16V SMPI	DD5=5 Speed Manual
H=High Line	D=Dodge	104WB	ECH,EC0=2.0L 4 Cyl, 16V SOHC	DGC=3 Speed Automatic
	D=Chrysler		EJD,EJ0=1.6L 4 Cyl 16V, SOHC	DGL=4 Speed Automatic
	P=Plymouth		EBD,EB0=1.8L 4 Cyl 16V SEF	DG0=All Automatics
				DBB=All 5 Speed Manual

AR = Use as required - = Non illustrated part # = New this model year

May 2, 2002

Switches - Instrument Panel
Figure 008-805



ITEM	PART NUMBER	QTY	LINE	SERIES	BODY	ENGINE	TRANS	DESCRIPTION
EJD = 1.6, 4 Cylinder SOHC								
ECH= 2.0, 4 Cylinder SOHC 16V Hi Perf								
ECB = 2.0, 4 Cylinder SOHC 16V								
DGC= AUTOMATIC 3-SPEED								
DD5= MANUAL 5-SPEED								
DGL = 4 SPEED AUTO (EATX)								
1								SWITCH, Multifunction
	4794 305AC	1	D, P					Lighting Control
	4794 306AC	1	D, P					Fog Lamp
	4794 308AC	1						Fog Lamp,Rear Fog Lamp
2	4794 303AC	1						SWITCH, Intermittent Wiper
3	4671 670AA	1						SWITCH, Electric Back Light
4								SWITCH, Ignition
	4793 576	1					DGC, DGL	
							DD5	
-5	6035 021	1						SCREW, Pan Head Tapping, .125-40x. 437, Ignition Switch Attaching
6	56045 043AE	1						SWITCH, Stop Lamp
7								SWITCH, Clutch Starter Interlock
	#4671 756AB	1	D, P				DD5	
	#4671 765AA	1	Z				DD5	
8								SWITCH, Speed Control
	QA76 1DV	1						On/Off [DV]
	QA76 1L8	1						On/Off [L5]
	QA77 1DV	1						Resume [DV]
	QA77 1L8	1						Resume [L5]
9								CLOCKSPRING
	#4671 753AB	1						without Speed Control. with Manual Restraint
	4793 583AB	1						without Speed Control
	#4793 585AB	1						with Speed Control
10	4565 022	1						SWITCH AND LAMP, Glove Box
11	4671 672AA	1						SWITCH, Traction Control
12	4760 847AC	1						SWITCH, Deck Lid Release
13	4794 276AA	1						SWITCH, Headlamp Leveling
14	5209 922	1						SWITCH, Parking Brake

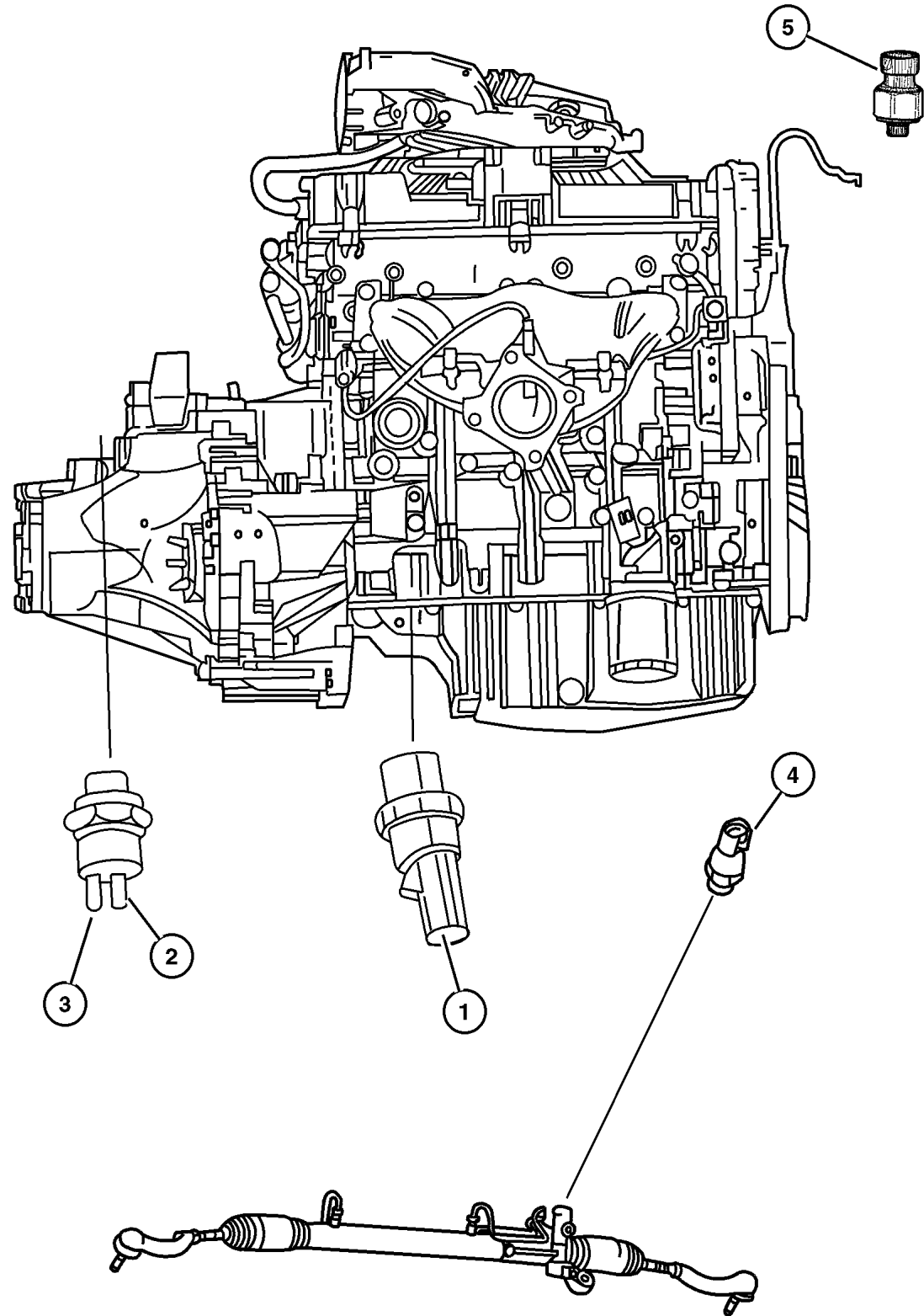
DODGE - CHRYSLER NEON (PL)

SERIES	LINE	BODY	ENGINE	TRANSMISSION
L=Low Line	Z=Chrysler, RHD	41 = 4 Door,	ECB,EC0=2.0L 4 Cyl., 16V SMPI	DD5=5 Speed Manual
H=High Line	D=Dodge	104WB	ECH,EC0=2.0L 4 Cyl, 16V SOHC	DGC=3 Speed Automatic
	D=Chrysler		EJD,EJ0=1.6L 4 Cyl 16V, SOHC	DGL=4 Speed Automatic
	P=Plymouth		EBD,EB0=1.8L 4 Cyl 16V SEF	DG0=All Automatics
				DBB=All 5 Speed Manual

AR = Use as required - = Non illustrated part # = New this model year

May 2, 2002

Switches - Power Train
Figure 008-810



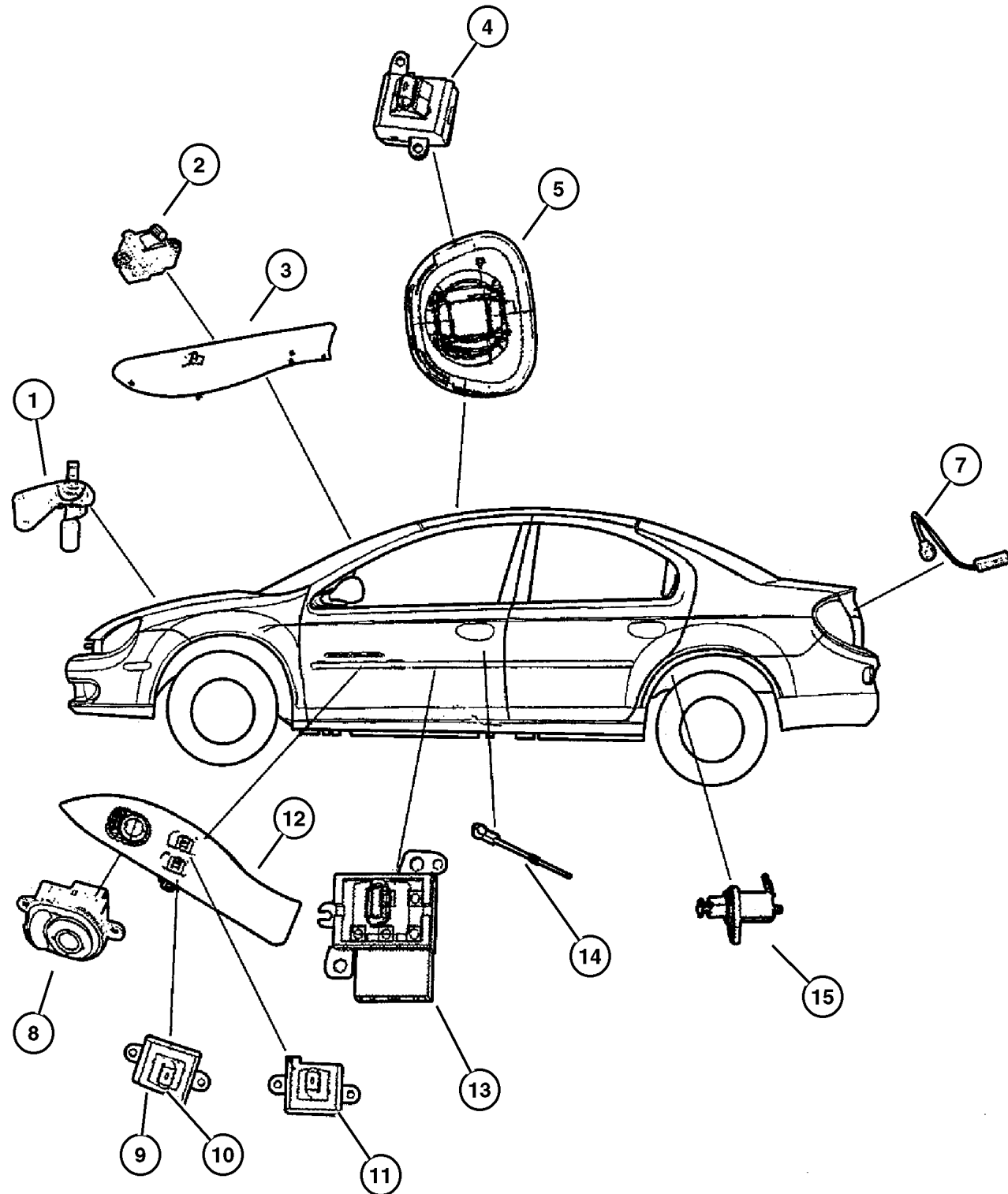
ITEM	PART NUMBER	QTY	LINE	SERIES	BODY	ENGINE	TRANS	DESCRIPTION
[DD5]=Manual Transmission								
[ECC]=2.4L 4 Cylinder DOHC 16 Valve								
[EDV]=2.4L 4 Cylinder DOHC 16 Valve MPI								
[EDZ]=2.4L 4 Cylinder DOHC 16 Valve								
[EES]= 2.7L V6 24 Valve								
1								SWITCH, Oil Pressure
	4608 303	1				ECH		
		1				ECB		
2								SWITCH, Back Up Lamp
	4864 775	1				ECB	DD5	
		1				EBD,	DD5	
						ECH		
		1				EJD	DD5	
3	3747 361	1				ECB	DGC	SWITCH, Neutral, Safety, Back Up
4								SWITCH, Power Steering
	5269 625	1	D, P				DD5,	
							DGC	
		1	Z				DD5,	
							DGC	
5								SWITCH, A/C High Pressure Cut Off
	5014 574AA	1	Z			ECB,		
		1				ECH		
		1	D, P			EJD		
						ECB,		
						ECH		

DODGE - CHRYSLER NEON (PL)				
SERIES	LINE	BODY	ENGINE	TRANSMISSION
L=Low Line	Z=Chrysler, RHD	41 = 4 Door,	ECB,EC0=2.0L 4 Cyl., 16V SMPI	DD5=5 Speed Manual
H=High Line	D=Dodge	104WB	ECH,EC0=2.0L 4 Cyl, 16V SOHC	DGC=3 Speed Automatic
	D=Chrysler		EJD,EJ0=1.6L 4 Cyl 16V, SOHC	DGL=4 Speed Automatic
	P=Plymouth		EBD,EB0=1.8L 4 Cyl 16V SEF	DG0=All Automatics
				DBB=All 5 Speed Manual

AR = Use as required - = Non illustrated part # = New this model year

May 2, 2002

Switches - Body
Figure 008-815



ITEM	PART NUMBER	QTY	LINE	SERIES	BODY	ENGINE	TRANS	DESCRIPTION
1								SWITCH, Underhood
	4707 875AB	1						Security Alarm
	5293 096AA	1						with Bracket, Security Alarm
2								SWITCH, Power Window
	4793 859AA	1	Z					
		1	D, P					
3								BEZEL, Power Window Switch
	QQ32 WL5AC	1	D, P					[L5], Right
	QQ32 XDVAC	1	D, P					[DV], Right
	QQ40 WL5AC	1	Z					[L5], Right
	QQ40 XDVAC	1	Z					[DV], Right
4	4685 435	1						SWITCH, Sunroof
5	SW36 1L2AB	1						BEZEL, Power Sunroof
-6	4671 699AB	1						RETAINER, Sunroof Switch
7	4671 067AB	1						SWITCH, Security Alarm
8								SWITCH, Mirror
	4793 860AB	1	D, P					
	4793 862AB	1	Z					
9								SWITCH, Power Window
	4793 858AA	1	Z					Drivers Window
		1	D, P					Drivers Window
10								SWITCH, Power Window
	4793 859AA	1	Z					Passenger Window
		1	D, P					Passenger Window
11	4793 579	1						SWITCH, Door Lock, Right & Left
12								BEZEL, Power Window Switch
	QQ39 WL5AC	1	D, P					[L5]
	QQ39 XDVAC	1	D, P					[DV]
	QQ40 XDVAC	1	Z					[DV]
	QQ49 WL5AC	1	Z					[L5]
	QQ40 WL5AC	1	Z					[L5], Right Hand Drive
	QQ40 XDVAC	1	Z					[DV], Right Hand Drive
13								SWITCH, Lumbar Control
	5604 2387	2	D, P					
		2	Z					
14	5293 090AA	2						SWITCH, Security Alarm
15	4671 264	2						SWITCH, Door Ajar

DODGE - CHRYSLER NEON (PL)

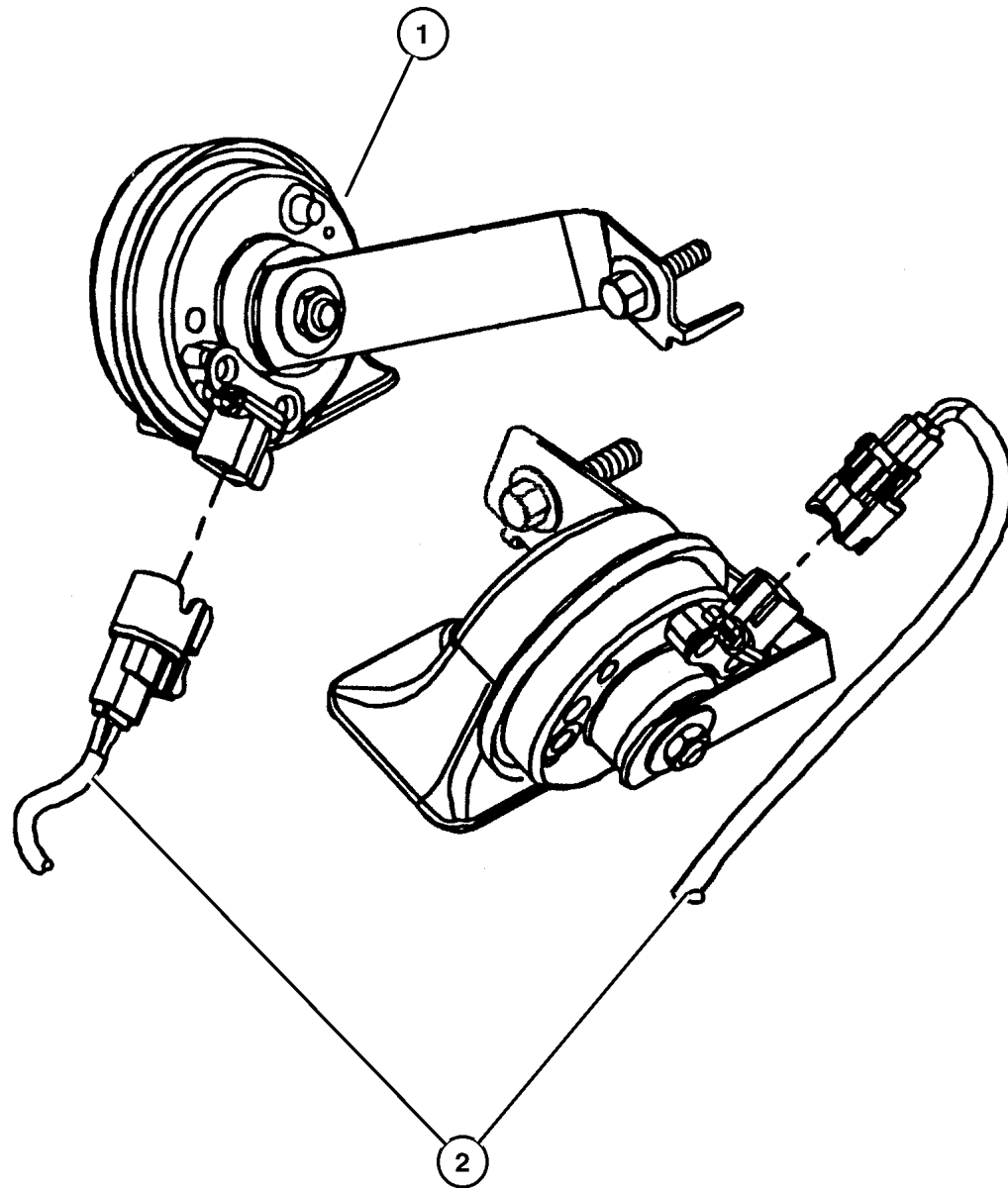
SERIES	LINE	BODY	ENGINE	TRANSMISSION
L=Low Line	Z=Chrysler, RHD	41 = 4 Door,	ECB,EC0=2.0L 4 Cyl., 16V SMPI	DD5=5 Speed Manual
H=High Line	D=Dodge	104WB	ECH,EC0=2.0L 4 Cyl, 16V SOHC	DGC=3 Speed Automatic
	D=Chrysler		EJD,EJ0=1.6L 4 Cyl 16V, SOHC	DGL=4 Speed Automatic
	P=Plymouth		EBD,EB0=1.8L 4 Cyl 16V SEF	DG0=All Automatics
				DBB=All 5 Speed Manual

AR = Use as required - = Non illustrated part # = New this model year

May 2, 2002

Horns
Figure 008-905

ITEM	PART NUMBER	QTY	LINE	SERIES	BODY	ENGINE	TRANS	DESCRIPTION
1	4793 525AD	1						HORN AND BRACKET, Low Note
2	4794 312AB	1						WIRING, Horn

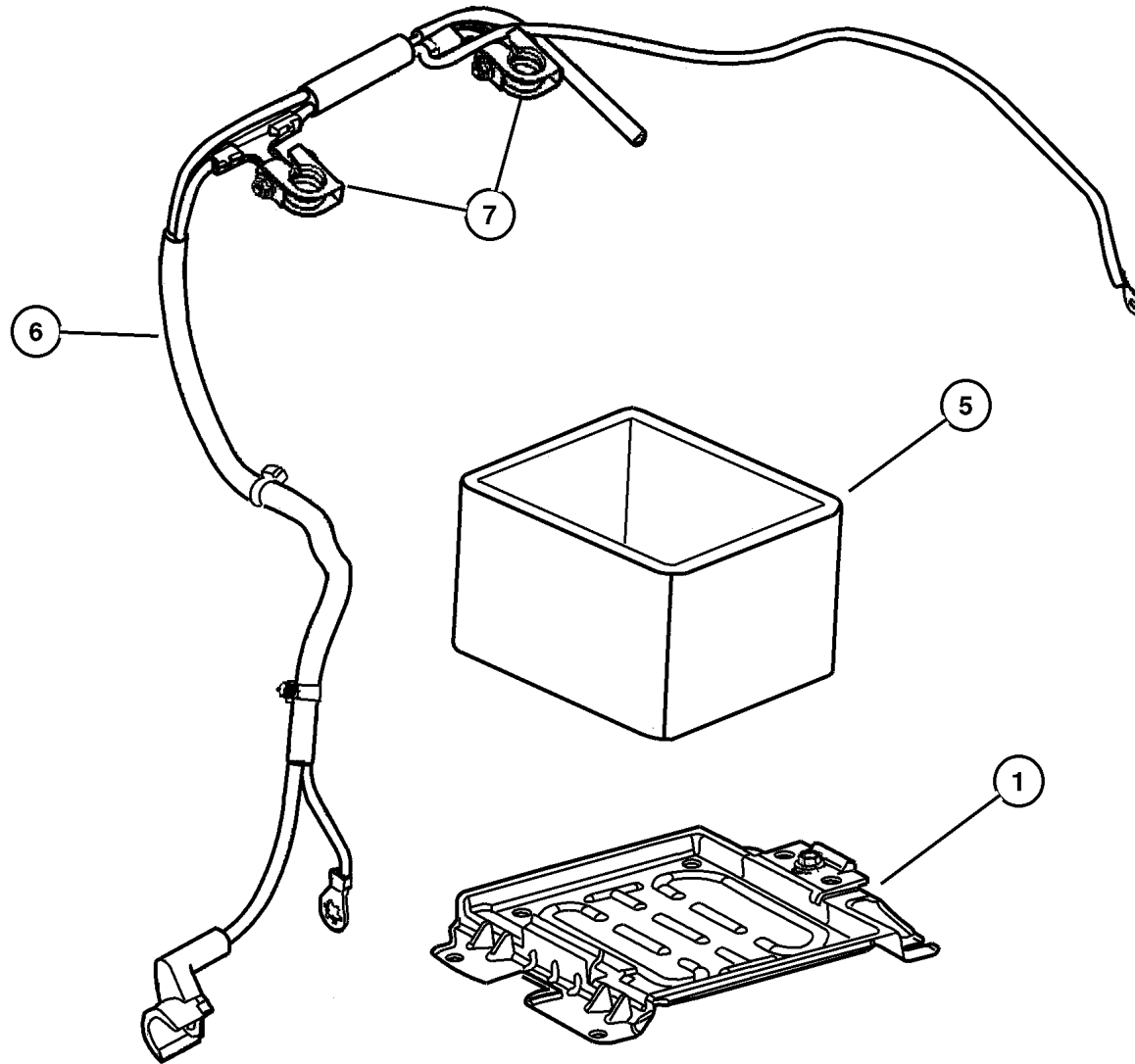


DODGE - CHRYSLER NEON (PL)				
SERIES	LINE	BODY	ENGINE	TRANSMISSION
L=Low Line	Z=Chrysler, RHD	41 = 4 Door,	ECB,EC0=2.0L 4 Cyl., 16V SMPI	DD5=5 Speed Manual
H=High Line	D=Dodge	104WB	ECH,EC0=2.0L 4 Cyl, 16V SOHC	DGC=3 Speed Automatic
	D=Chrysler		EJD,EJ0=1.6L 4 Cyl 16V, SOHC	DGL=4 Speed Automatic
	P=Plymouth		EBD,EB0=1.8L 4 Cyl 16V SEF	DG0=All Automatics
				DBB=All 5 Speed Manual

AR = Use as required - = Non illustrated part # = New this model year

May 2, 2002

Battery Tray And Cables
Figure 008-1005



ITEM	PART NUMBER	QTY	LINE	SERIES	BODY	ENGINE	TRANS	DESCRIPTION
EJD = 1.6, 4 Cylinder SOHC								
ECH= 2.0, 4 Cylinder SOHC 16V Hi Perf								
ECB = 2.0, 4 Cylinder SOHC 16V								
DGC= AUTOMATIC 3-SPEED								
1	5293 217AD	1						TRAY, Battery
-2	6101 863	1						SCREW AND WASHER, Hex Head, M8-1.25x30, Battery Retainer Holddown
-3	6101 455	2						SCREW AND WASHER, Hex Head, M6x1x20, Battery Tray to Frame
-4	6500 274	1					DGC	LOCK NUT, M6x1.0x6
		2	D, P					
5	5033 018AA	1						SHIELD, Battery
6	#4793 571AH	1				ECB, ECH		WIRING, Battery
	#4794 365AA	1				EJD		
7								TERMINAL, Battery, Serviced in Battery Harness Only , (NOT SERVICED)
-8	4557 480	2	D, P					LABEL, Battery ARABIC
	4793 062	1						EUROPEAN
-9	4793 359	1						BATTERY, Storage, Replacement

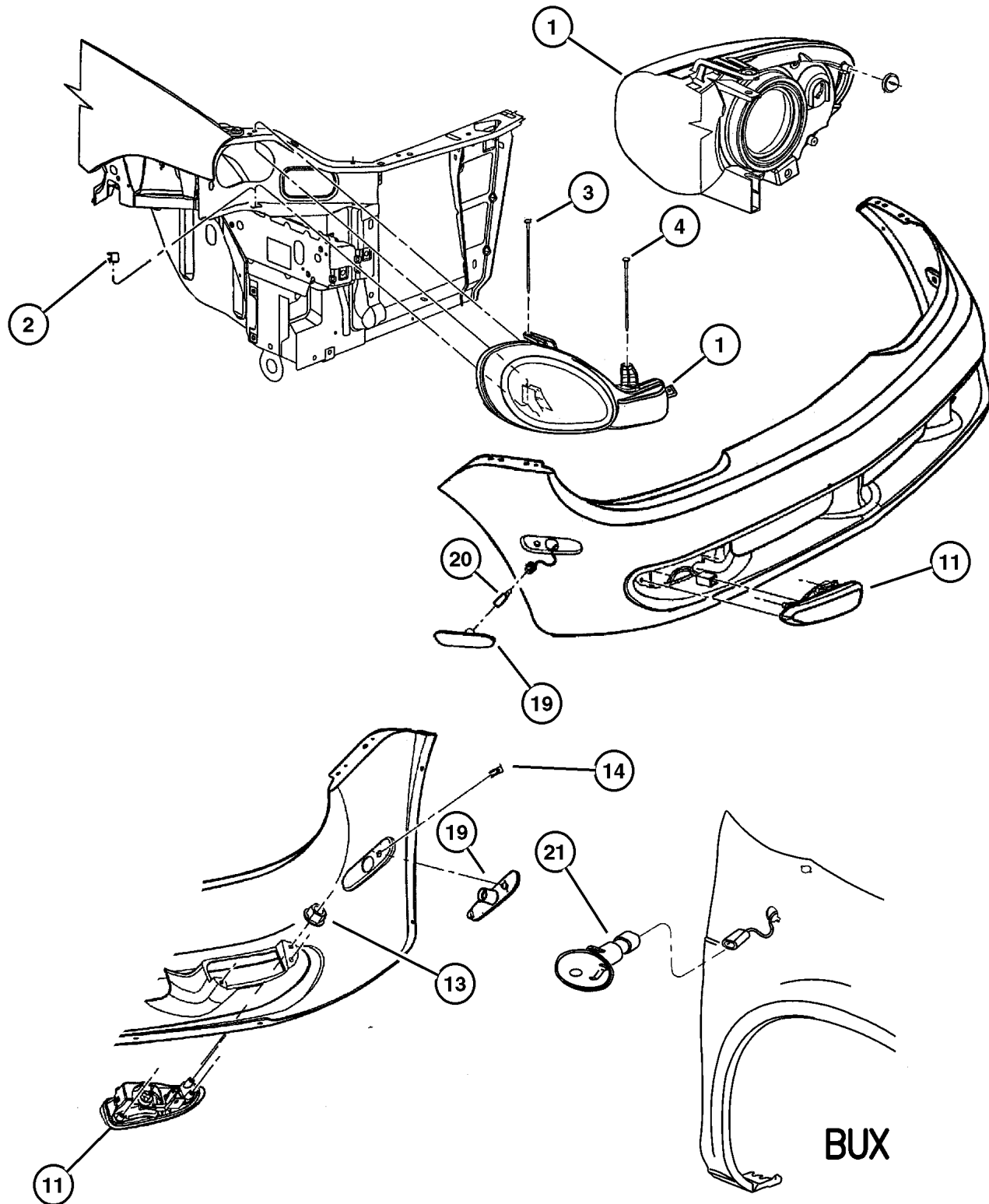
DODGE - CHRYSLER NEON (PL)

SERIES	LINE	BODY	ENGINE	TRANSMISSION
L=Low Line	Z=Chrysler, RHD	41 = 4 Door,	ECB,EC0=2.0L 4 Cyl., 16V SMPI	DD5=5 Speed Manual
H=High Line	D=Dodge	104WB	ECH,EC0=2.0L 4 Cyl, 16V SOHC	DGC=3 Speed Automatic
	D=Chrysler		EJD,EJ0=1.6L 4 Cyl 16V, SOHC	DGL=4 Speed Automatic
	P=Plymouth		EBD,EB0=1.8L 4 Cyl 16V SEF	DG0=All Automatics
				DBB=All 5 Speed Manual

AR = Use as required - = Non illustrated part # = New this model year

May 2, 2002

Lamps, Front
Figure 008-1105



ITEM	PART NUMBER	QTY	LINE	SERIES	BODY	ENGINE	TRANS	DESCRIPTION
[MFA] = Black Headlamp Bezel								
[MLW] = With Wide License Plate Pocket								
1								LAMP, Headlamp
	5288 508AE	1	D, P					Right
	5288 509AE	1	D, P					Left
	5288 510AD	1	D					Right,Export
	5288 511AD	1	D					Left,Export
	5288 512AD	1	Z					Right
	5288 513AD	1	Z					Left
	#5303 424AA	1	D, P					with Black Headlamp Bezel [MFA] R/T, Right
	#5303 425AA	1	D, P					with Black Headlamp Bezel [MFA] R/T, Left
2	4630 559	2						CLIP, Lamp
3	6505 181AA	2						SCREW, Hex Flange Head, M6 x 1.00 x 193.25, Headlamp Jackscrew, Outboard
4	6505 535AA	2						SCREW, Hex Flange Head, M6 x 1.00 x 125.75, Headlamp Jackscrew, Inboard
-5								BULB, Headlamp
	0153 621	1	D					
		1	Z					
	L0009 007QL	1	D, P					
-6								WIRING, Headlamp Jumper
	5288 713AA	1	D					Export
		1	Z					Export
-7								WELT, Headlamp
	5288 714AC	1	D, P					Right
		1	Z					Right
	5288 715AC	1	D, P					Left
		1	Z					Left
-8	5288 917AA	1	D, P					SOCKET, Park And Turn Signal
-9								SOCKET, Turn Signal Lamp
	5288 918AA	1	D					Export
		1	Z					Export
	5288 920AA	1						Export
-10								BULB, 3757APY27/7W
	L003 757A	1	D					
		1	Z					
11								LAMP, Fog
	5288 592AB	1	D, Z					without Bulb Shield, Right,Export
	5288 593AB	1	D, Z					without Bulb Shield, Left,Export
	5288 514AB	1	D, P					With Bulb Shield, Right

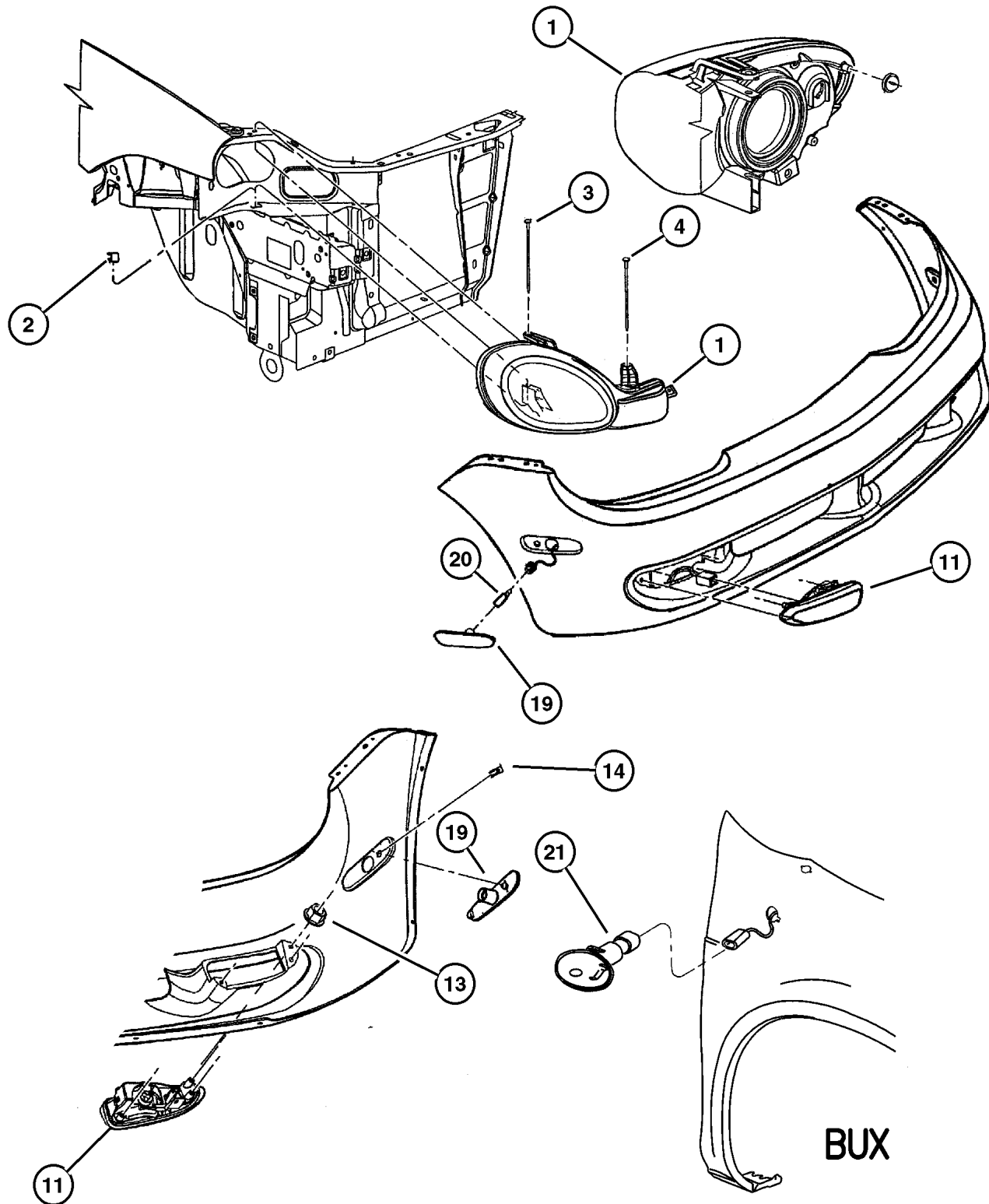
DODGE - CHRYSLER NEON (PL)

SERIES	LINE	BODY	ENGINE	TRANSMISSION
L=Low Line	Z=Chrysler, RHD	41 = 4 Door,	ECB,EC0=2.0L 4 Cyl., 16V SMPI	DD5=5 Speed Manual
H=High Line	D=Dodge	104WB	ECH,EC0=2.0L 4 Cyl, 16V SOHC	DGC=3 Speed Automatic
	D=Chrysler		EJD,EJ0=1.6L 4 Cyl 16V, SOHC	DGL=4 Speed Automatic
	P=Plymouth		EBD,EB0=1.8L 4 Cyl 16V SEF	DG0=All Automatics
				DBB=All 5 Speed Manual

AR = Use as required - = Non illustrated part # = New this model year

May 2, 2002

Lamps, Front
Figure 008-1105



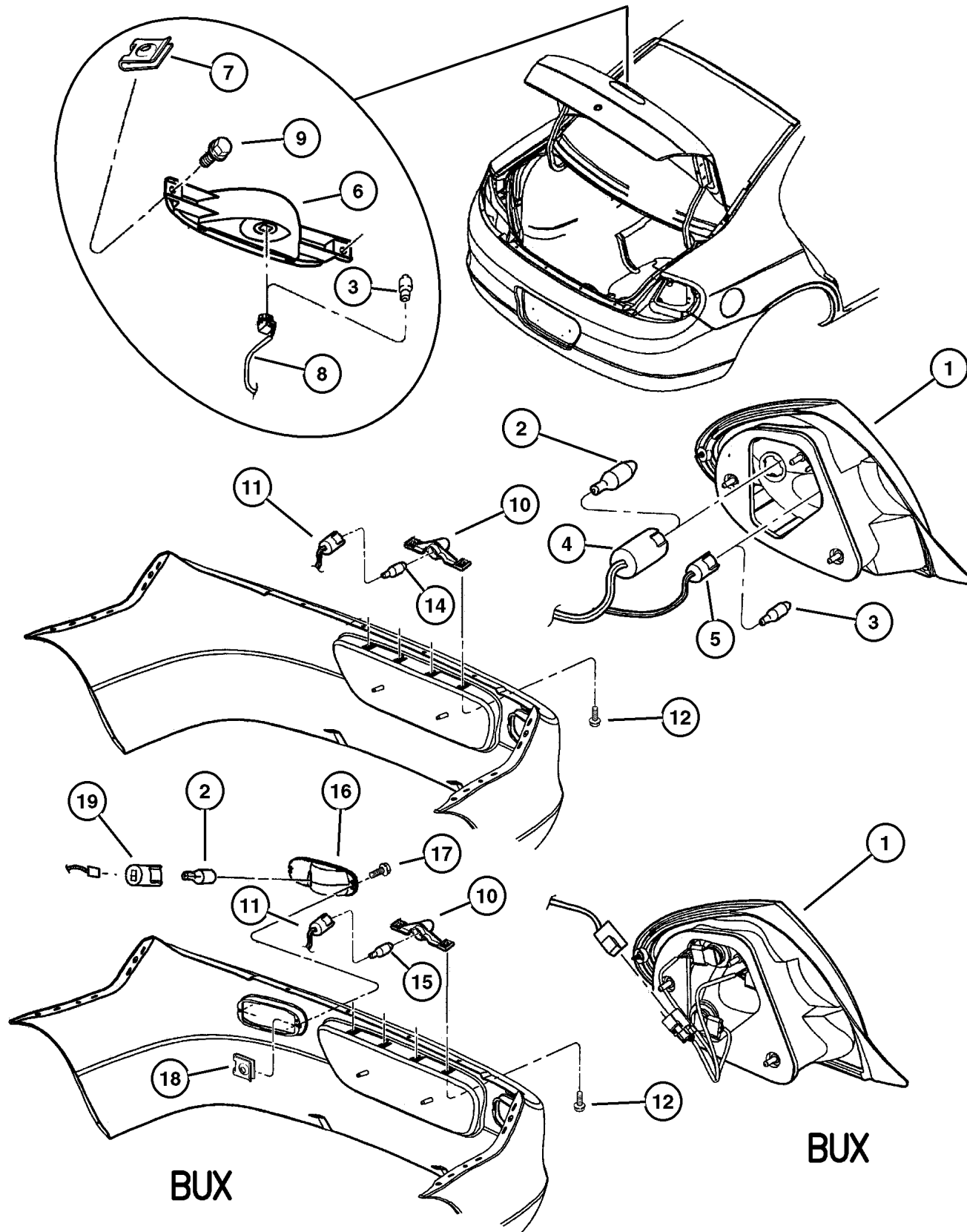
ITEM	PART NUMBER	QTY	LINE	SERIES	BODY	ENGINE	TRANS	DESCRIPTION
	5288 515AB	1	D, P					With Bulb Shield, Left
	#5303 472AA	1						With Bulb Shield [MLW], Right
	#5303 473AA	1						With Bulb Shield [MLW], Left
-12								PLUG, Front Fascia
	5288 822AA	1						Right
	5288 823AA	1						Left
	5288 834AA	1						Right,Export
	5288 835AA	1						Left,Export
13	6101 447	6						NUT, Fog Lamp To Fascia
14	5303 412AB	2						CLIP
-15	4794 313AD	1						WIRING, Fog Lamp and Horn Jumper, Export
-16								WIRING, Fog Lamp
	4794 310AB	1						Export
	4794 311AC	1						Export
-17	L000 0898	1	D, P					BULB, Fog Lamp, 37 1/2 WATT
-18	L000 9145	1	D, Z					BULB, Fog Lamp, 50 Watt
19								LAMP, Side Marker
	5288 522AC	1	D, P					Right
	5288 523AC	1	D, P					Left
20	L000 0168	2	D, P					BULB, 168
21	5288 895AB	2						LAMP, Side Repeater, Export
-22	4676 801	2						GASKET, Side Marker Lamp, Export
-23								BULB, W10/5
	0153 625	1	D					
		1	Z					
-24	4400 588	2	D, P					SOCKET, Tail and Side Lamp, Side Marker
-25								BULB, Headlamp, 0154837 (4157NAK) Park & Turnsignal
	0153 621	1	Z					
	L0041 57NAK	1	D, P					

DODGE - CHRYSLER NEON (PL)				
SERIES	LINE	BODY	ENGINE	TRANSMISSION
L=Low Line	Z=Chrysler, RHD	41 = 4 Door,	ECB,EC0=2.0L 4 Cyl., 16V SMPI	DD5=5 Speed Manual
H=High Line	D=Dodge	104WB	ECH,EC0=2.0L 4 Cyl, 16V SOHC	DGC=3 Speed Automatic
	D=Chrysler		EJD,EJ0=1.6L 4 Cyl 16V, SOHC	DGL=4 Speed Automatic
	P=Plymouth		EBD,EB0=1.8L 4 Cyl 16V SEF	DG0=All Automatics
				DBB=All 5 Speed Manual

AR = Use as required - = Non illustrated part # = New this model year

May 2, 2002

Lamps, Rear
Figure 008-1110



ITEM	PART NUMBER	QTY	LINE	SERIES	BODY	ENGINE	TRANS	DESCRIPTION
1								LAMP, Tail Stop Turn
	5288 526AI	1	D, P					Right
	5288 527AI	1	D, P					Left
	5288 528AH	1						Right,Export
	5288 529AH	1						Left,Export
2	L000 3157	2						BULB, 3157
3	L000 921E	1	D, P					BULB, 921
4	5288 919AA	1	D, P					SOCKET, Tail, Stop, and Turn Lamp
5	5288 921AA	1	D, P					SOCKET, Back-Up Lamp
6	5288 534AB	1						LAMP, High Mounted Stop
7	6505 780AA	2						BOLT AND RETAINER, M6x1.0x22.35
8	5303 251	1						SOCKET, High Mounted Stop Lamp
9								NUT AND WASHER, Hex, M6x1, (NOT SERVICED)
10								LAMP, License Plate
	5303 021	1	D, P					Export
		2						Export
11	4400 588	2						SOCKET, Tail and Side Lamp, License Lamp
12								SCREW, .164-18x.75, (NOT SERVICED)
-13								NUT/SPRING, "U"1THD, For .164-15
								Screw
	6035 837	2	D, P					License Lamp,Mounting
		4						License Lamp,Mounting,Export
14	L000 0168	1	D, P					BULB, 168, License Plate Lamp
15	0153 625	1	Z					BULB, W10/5
16								LAMP, Fog
	5288 536AB	1						Right Rear,Export
	5288 537AB	1						Left Rear,Export
17	6036 075AA	1						SCREW, Pan Head
18	6101 447	6						NUT, Fog Lamp attaching
19	5288 915AA	1						SOCKET, Rear Fog Lamp
-20								SOCKET, Turn Signal Lamp
	5288 918AA	1	Z					Export
	5288 920AA	1						Export
-21	5303 440AA	1						GASKET, Tail Lamp

DODGE - CHRYSLER NEON (PL)

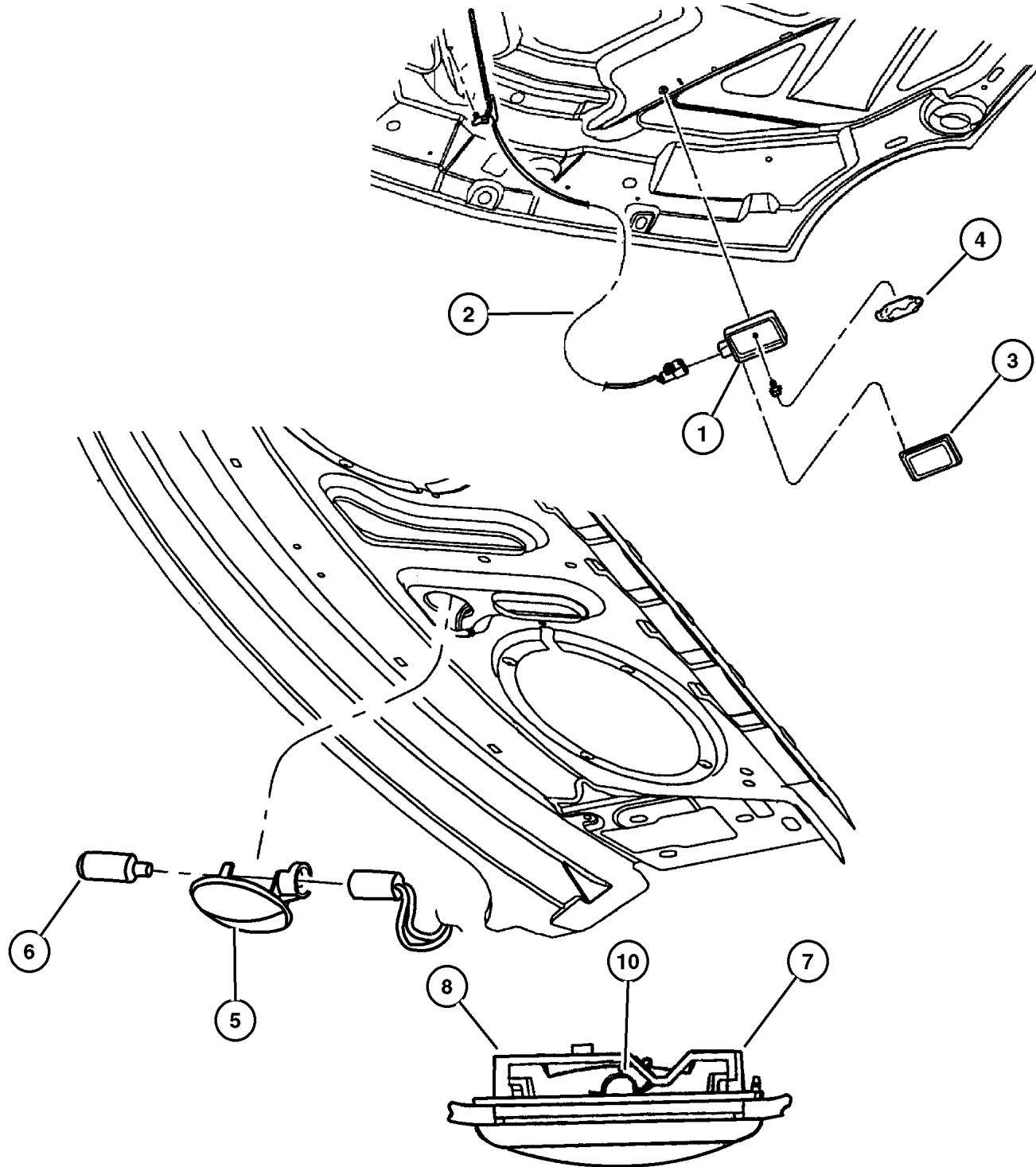
SERIES	LINE	BODY	ENGINE	TRANSMISSION
L=Low Line	Z=Chrysler, RHD	41 = 4 Door,	ECB,EC0=2.0L 4 Cyl., 16V SMPI	DD5=5 Speed Manual
H=High Line	D=Dodge	104WB	ECH,EC0=2.0L 4 Cyl, 16V SOHC	DGC=3 Speed Automatic
	D=Chrysler		EJD,EJ0=1.6L 4 Cyl 16V, SOHC	DGL=4 Speed Automatic
	P=Plymouth		EBD,EB0=1.8L 4 Cyl 16V SEF	DG0=All Automatics
				DBB=All 5 Speed Manual

AR = Use as required - = Non illustrated part # = New this model year

May 2, 2002

Dome, Underhood and Cargo Lamps
Figure 008-1115

ITEM	PART NUMBER	QTY	LINE	SERIES	BODY	ENGINE	TRANS	DESCRIPTION
1	5602 1441	1						LAMP, Underhood
2	4794 043AD	1						WIRING, Underhood Lamp
3	4897 446AA	1						LENS, Lamp Module, Underhood Lamp
4	L000 0561	1						BULB, 561, Underhood Lamp
5	5209 554	1						LENS, Cargo Lamp
6	L000 0906	1						BULB, 906, Cargo Lamp
7	JV76 TL2	1						LAMP, Dome
8	RP45 TL2AC	1						SENSOR, Intrusion Module
-9								WIRING, Dome Lamp
	4794 150AA	1						without Security or Sunroof
	4794 233AA	1						with Security without Sunroof
	4794 325AA	1						with Sunroof without Security
	4794 326AA	1						With Security and Sunroof
10	L000 0579	1						BULB, 579



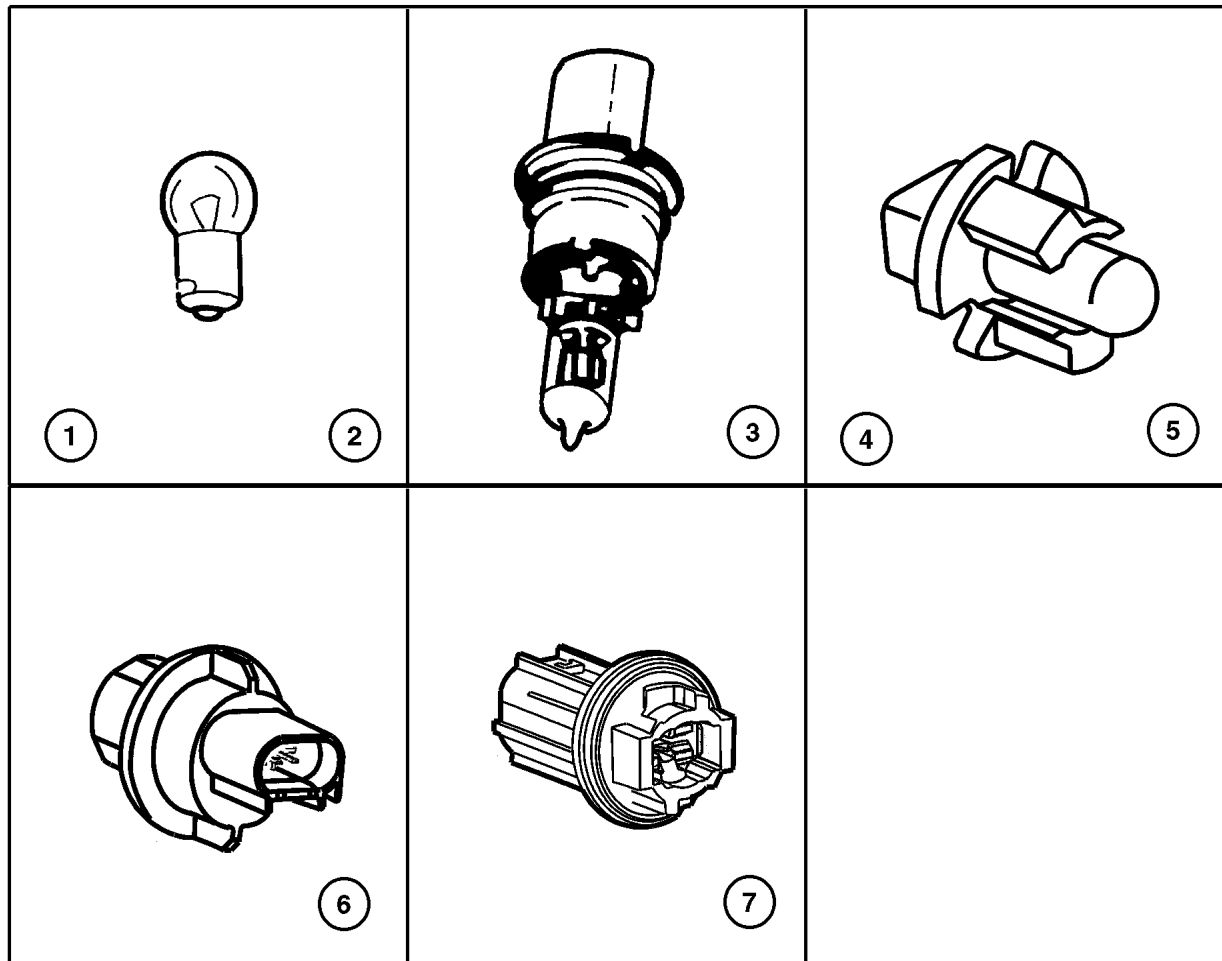
DODGE - CHRYSLER NEON (PL)				
SERIES	LINE	BODY	ENGINE	TRANSMISSION
L=Low Line	Z=Chrysler, RHD	41 = 4 Door,	ECB,EC0=2.0L 4 Cyl., 16V SMPI	DD5=5 Speed Manual
H=High Line	D=Dodge	104WB	ECH,EC0=2.0L 4 Cyl, 16V SOHC	DGC=3 Speed Automatic
	D=Chrysler		EJD,EJ0=1.6L 4 Cyl 16V, SOHC	DGL=4 Speed Automatic
	P=Plymouth		EBD,EB0=1.8L 4 Cyl 16V SEF	DG0=All Automatics
				DBB=All 5 Speed Manual

AR = Use as required - = Non illustrated part # = New this model year

May 2, 2002

Sockets And Bulbs Figure 008-1120

ITEM	PART NUMBER	QTY	LINE	SERIES	BODY	ENGINE	TRANS	DESCRIPTION
DGC= AUTOMATIC 3-SPEED DGL = 4 SPEED AUTO (EATX)								
1	L000 3157	2						BULB, 3157, Backup Lamp, Turn Signal Lamp
2	L003 757A	1	Z					BULB, 3757APY27/7W
3	L0009 007QL	1	D, P					BULB, Headlamp
4								SOCKET
	5015 235AA	1	D, P					Cluster
		1	Z					Cluster
	5015 237AA	4	D, P					Cluster
	5015 236AA	6	D, P					Cluster
		6	Z					Cluster
	5015 237AA	5	Z					Cluster
5								LAMP, Bulb And Socket
	4688 388	1	D, P					Cluster
		1	Z					Cluster
6	5288 919AA	1						SOCKET, Tail, Stop, and Turn Lamp
7	5288 921AA	1						SOCKET, Back-Up Lamp
-8	L000 921E	1						BULB, 921, License Lamp
-9								BULB, 168
	L000 0168	2	D, P					Sidemarkers
		1	D, P					License Lamp
-10	5303 251	1						SOCKET, High Mounted Stop Lamp
-11	L000 0579	1						BULB, 579, Dome Lamp
-12	L000 0194	1					DGC, DGL	BULB, 194, Console Gear Selector, Glove Compartment Lamp
-13	6501 966	1						BULB, 74, Visor
-14	L000 0037	1						BULB, 37, Console, Floor Flood Lamp
-15	L000 0561	1						BULB, 561, Underhood Lamp
-16	L000 9145	1	D, Z					BULB, Fog Lamp, 50 Watt, Export
-17	L000 0898	1	D, P					BULB, Fog Lamp, 37 1/2 WATT
-18	L000 921E	1						BULB, 921, Decklid CHMSL Lamp
-19	L000 0906	1						BULB, 906, Rear Cargo Lamp
-20								BULB, Heater and A/C Control
	5003 281AA	4	Z					
		4						



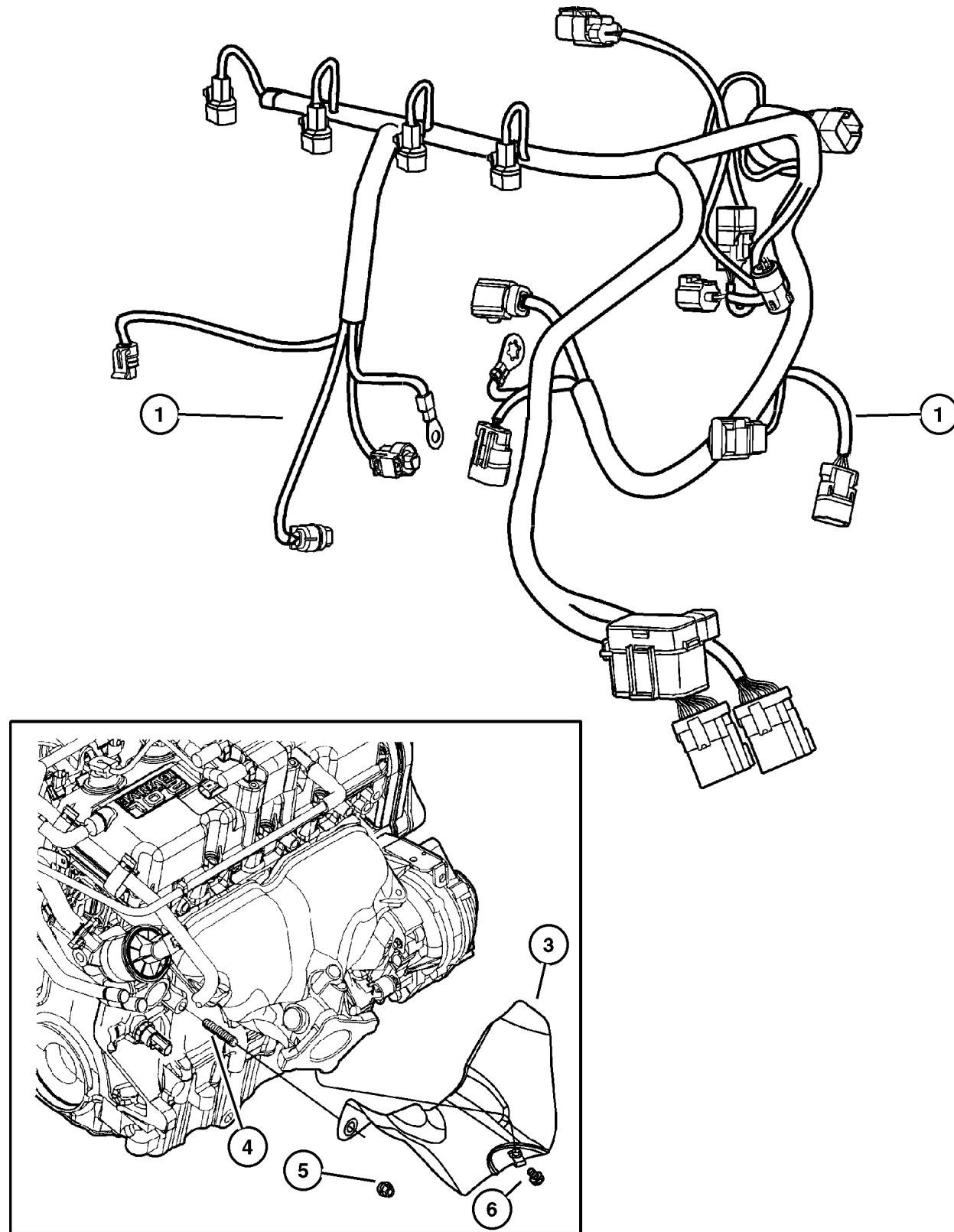
DODGE - CHRYSLER NEON (PL)

SERIES	LINE	BODY	ENGINE	TRANSMISSION
L=Low Line	Z=Chrysler, RHD	41 = 4 Door,	ECB,EC0=2.0L 4 Cyl., 16V SMPI	DD5=5 Speed Manual
H=High Line	D=Dodge	104WB	ECH,EC0=2.0L 4 Cyl, 16V SOHC	DGC=3 Speed Automatic
	D=Chrysler		EJD,EJ0=1.6L 4 Cyl 16V, SOHC	DGL=4 Speed Automatic
	P=Plymouth		EBD,EB0=1.8L 4 Cyl 16V SEF	DG0=All Automatics
				DBB=All 5 Speed Manual

AR = Use as required - = Non illustrated part # = New this model year

May 2, 2002

Wiring, Engine Figure 008-1205



ITEM	PART NUMBER	QTY	LINE	SERIES	BODY	ENGINE	TRANS	DESCRIPTION
------	-------------	-----	------	--------	------	--------	-------	-------------

[EJD] = 1.6, 4 Cylinder SOHC
 [ECH]= 2.0, 4 Cylinder SOHC 16V Hi Perf
 [EBD] = 1.8L 4 Cylinder SOHC 16V
 [EBD] = 1.8l 4 Cylinder SOHC 16v
 [ECB] = 2.0, 4 Cylinder SOHC 16V

[DGC]= AUTOMATIC 3-SPEED

NOTE: The tag can be found on harness where it lays on top of the engine.

1								WIRING, Engine
	#4794 229AA	1				EJD		
	#4794 372AE	1				ECH		
	#4794 412AE	1				ECB		
-2	4794 309AA	1					DGC	WIRING, Transmission Jumper
3								SHIELD, Wiring
	4794 274AC	1				ECB, ECH		with Ultra Low Emissions (NBU)
	4794 275AC	1				EBD, ECB, ECH		
	#4794 510AA	1				EJD		
4	6503 490	2				ECB		STUD, M10-1.50x44
5								NUT AND WASHER, Hex, M8x1.25
	6504 175	2				EBD, ECB, ECH		Heat Shield Mounting
						EJD		Heat Shield Mounting
6	6504 015	1				ECB, ECH		SCREW
-7								CAPACITOR, Radio Noise Suppression
	4793 117	1				EJD		
						ECH		
						ECB		

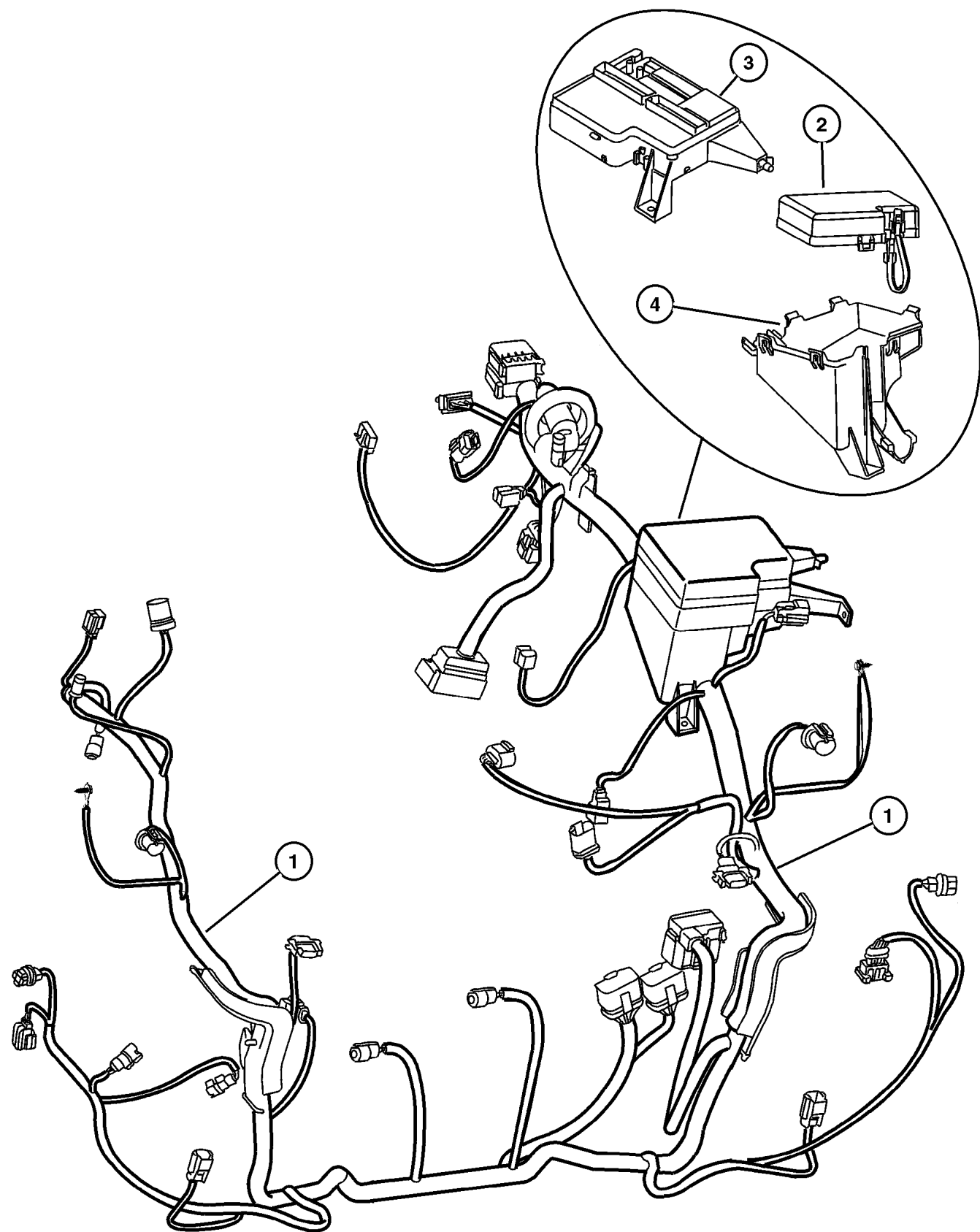
DODGE - CHRYSLER NEON (PL)

SERIES	LINE	BODY	ENGINE	TRANSMISSION
L=Low Line	Z=Chrysler, RHD	41 = 4 Door,	ECB,EC0=2.0L 4 Cyl., 16V SMPI	DD5=5 Speed Manual
H=High Line	D=Dodge	104WB	ECH,EC0=2.0L 4 Cyl, 16V SOHC	DGC=3 Speed Automatic
	D=Chrysler		EJD,EJ0=1.6L 4 Cyl 16V, SOHC	DGL=4 Speed Automatic
	P=Plymouth		EBD,EB0=1.8L 4 Cyl 16V SEF	DG0=All Automatics
				DBB=All 5 Speed Manual

AR = Use as required - = Non illustrated part # = New this model year

May 2, 2002

**Wiring, Headlamp and Power Distribution Center
Figure 008-1305**



ITEM	PART NUMBER	QTY	LINE	SERIES	BODY	ENGINE	TRANS	DESCRIPTION
EJD = 1.6, 4 Cylinder SOHC								
ECH= 2.0, 4 Cylinder SOHC 16V Hi Perf								
ECB = 2.0, 4 Cylinder SOHC 16V								
DGC= AUTOMATIC 3-SPEED								
DD5= MANUAL 5-SPEED								
DGL = 4 SPEED AUTO (EATX)								
NOTE: The tag for this harness can be found on side of the power distribution center.								
1								WIRING, Headlamp and Dash
	#4794 352AB	1	D, P			EJD		without ABS
	#4794 353AB	1	D, P			EJD		with ABS
	#4794 354AB	1	Z			EJD		without ABS
	#4794 355AB	1	Z			EJD		with ABS
	#4794 416AC	1	D, P				DGL	without ABS
	#4794 417AC	1	D, P				DGL	with ABS
	#4794 418AC	1	Z				DGL	without ABS
	#4794 419AC	1	Z				DGL	with ABS
	#4794 495AB	1	D, P			ECB,	DGC	without ABS, Cruise Control, Fog
						ECH		Lamps
	#4794 496AB	1	D, P			ECB,	DD5	without ABS
						ECH		
	#4794 497AB	1	D, P			ECB,	DD5	with ABS
						ECH		
	#4794 498AB	1	D, P			ECB,	DD5	without ABS, Export
						ECH		
	#4794 499AB	1	D, P			ECB,	DD5	with ABS, Export
						ECH		
	#4794 500AB	1	Z			ECB,	DD5	with ABS
						ECH		
	#4794 501AB	1	Z			ECB,	DD5	without ABS
						ECH		
	#4794 502AB	1	D, P			ECB	DGL	without ABS, [Taiwan]
	#4794 643AA	1	D, P			ECB,	DGC	with ABS
						ECH		
	#4794 644AA	1	D, P			ECB,	DGC	without ABS, with Cruise Control, Fog
						ECH		Lamps
2	4793 904AC	1						COVER, Power Distribution Center, Upper
3	4793 903AD	1						HOUSING, Fuse And Relay Center
4	4794 076AB	1						COVER, Power Distribution Center, Lower

DODGE - CHRYSLER NEON (PL)

SERIES	LINE	BODY	ENGINE	TRANSMISSION
L=Low Line	Z=Chrysler, RHD	41 = 4 Door,	ECB,EC0=2.0L 4 Cyl., 16V SMPI	DD5=5 Speed Manual
H=High Line	D=Dodge	104WB	ECH,EC0=2.0L 4 Cyl, 16V SOHC	DGC=3 Speed Automatic
	D=Chrysler		EJD,EJ0=1.6L 4 Cyl 16V, SOHC	DGL=4 Speed Automatic
	P=Plymouth		EBD,EB0=1.8L 4 Cyl 16V SEF	DG0=All Automatics
				DBB=All 5 Speed Manual

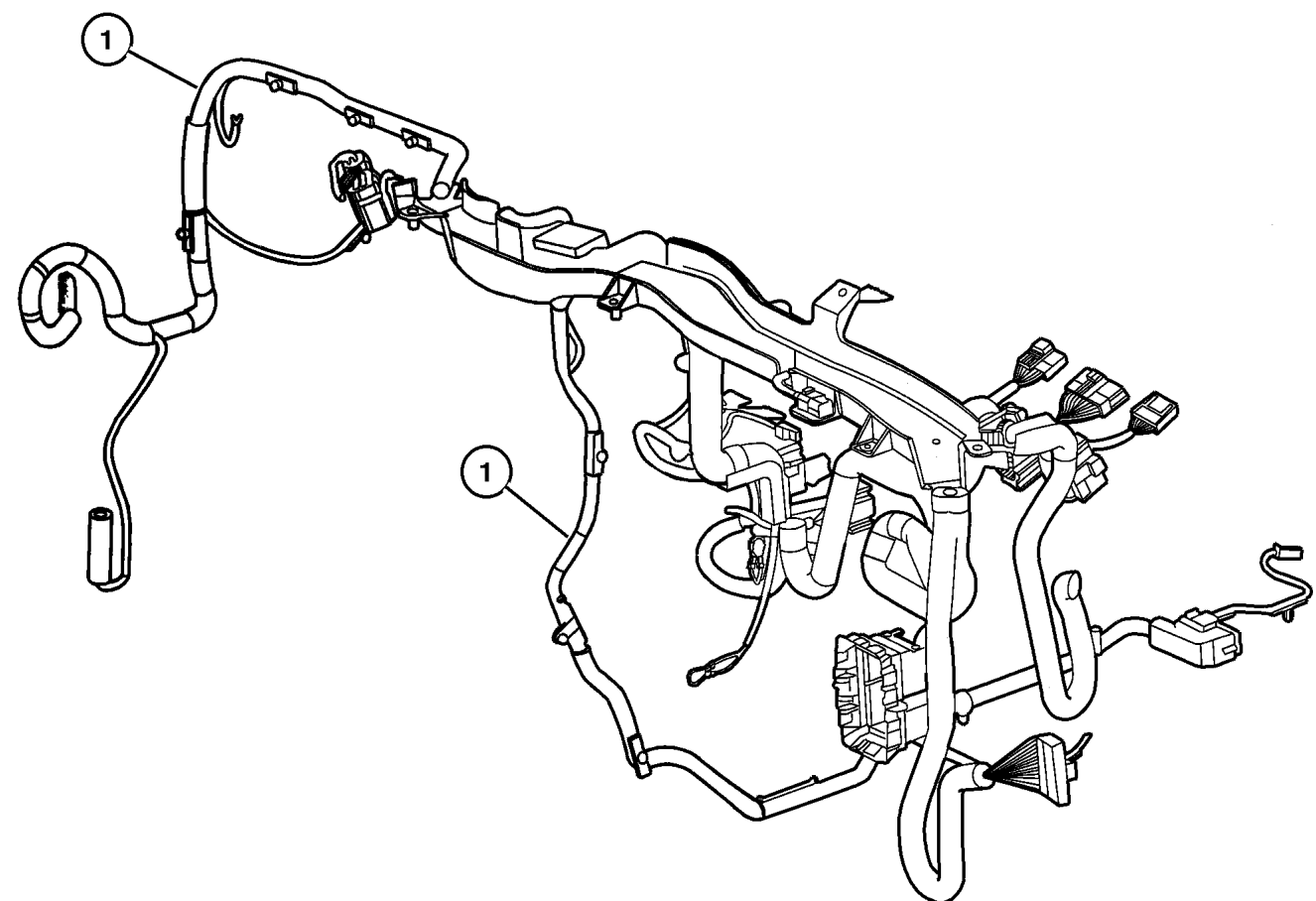
AR = Use as required - = Non illustrated part # = New this model year

May 2, 2002

**Wiring, Instrument Panel
Figure 008-1405**

ITEM	PART NUMBER	QTY	LINE	SERIES	BODY	ENGINE	TRANS	DESCRIPTION
------	-------------	-----	------	--------	------	--------	-------	-------------

NOTE: The tag for this harness can be found on the back of the fuse block.



1	#4793 561AK	1	D, P					WIRING, Instrument Panel without ABS, Power Locks, Light Group, Speed Control
	#4793 562AK	1	D, P					with ABS, Light Group, Cruise Control
	#4793 928AK	1	D, P					without ABS with Power Locks
	#4793 929AK	1	D, P					with ABS and Power Locks
	#4793 934AK	1	D, P					Export
	#4793 935AK	1	Z					
-2	6101 486	2						FUSE, Mini, 10 AMP, Red
-3								LABEL, Fuse Block, Serviced in End Cap , (NOT SERVICED)
-4	4414 333	1						BREAKER, Circuit
-5								FLASHER
	4671 714AA	1	D, P					Export
	4671 715AA	1						Export
-6	4759 529AA	1						DIN CORD, CD Player
-7	#4760 999AA	1						WIRING, Compact Disc Changer, Export

DODGE - CHRYSLER NEON (PL)

SERIES	LINE	BODY	ENGINE	TRANSMISSION
L=Low Line	Z=Chrysler, RHD	41 = 4 Door,	ECB,EC0=2.0L 4 Cyl., 16V SMPI	DD5=5 Speed Manual
H=High Line	D=Dodge	104WB	ECH,EC0=2.0L 4 Cyl, 16V SOHC	DGC=3 Speed Automatic
	D=Chrysler		EJD,EJ0=1.6L 4 Cyl 16V, SOHC	DGL=4 Speed Automatic
	P=Plymouth		EBD,EB0=1.8L 4 Cyl 16V SEF	DG0=All Automatics
				DBB=All 5 Speed Manual

AR = Use as required - = Non illustrated part # = New this model year

May 2, 2002

Wiring, Body and Accessories
Figure 008-1505

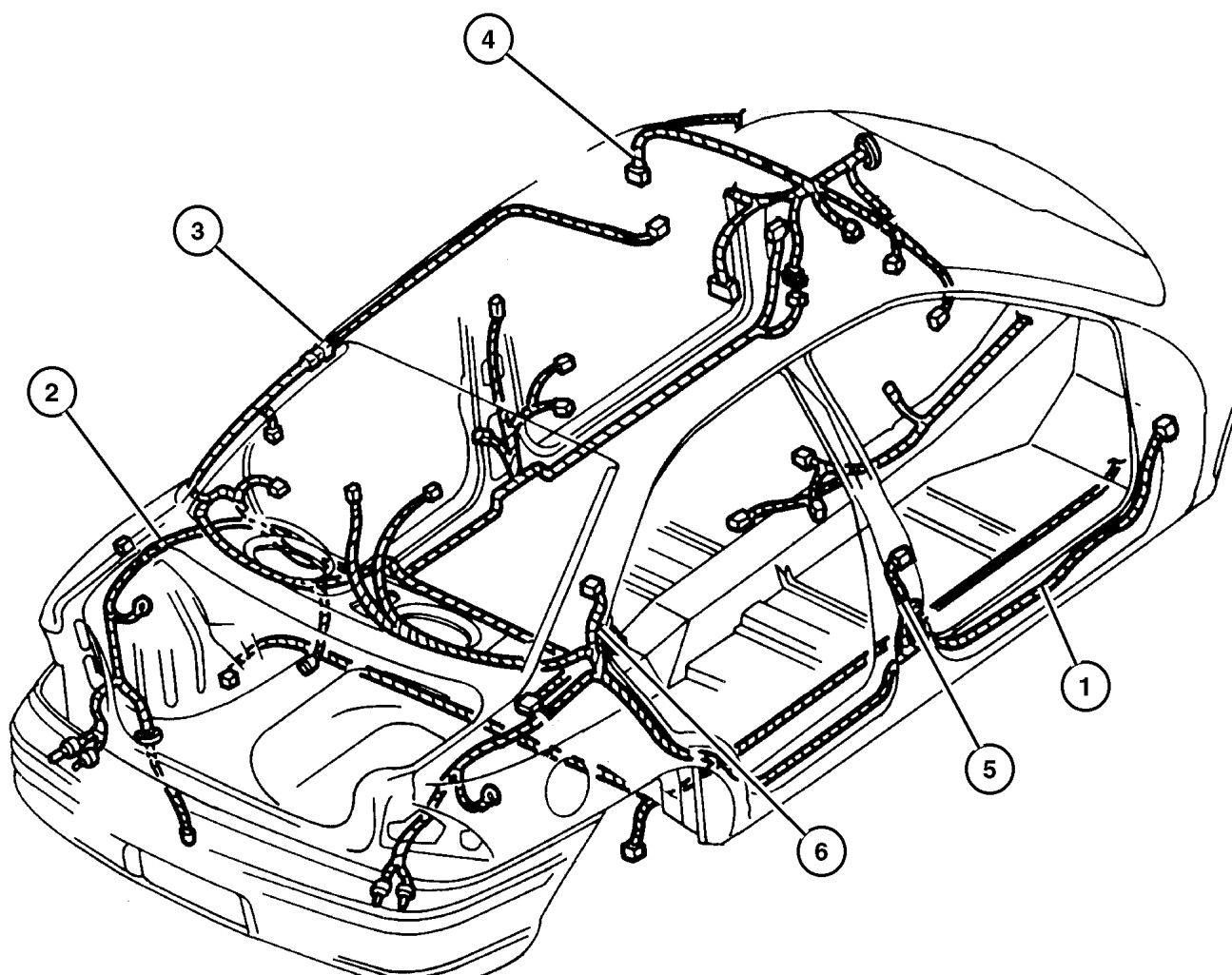
ITEM	PART NUMBER	QTY	LINE	SERIES	BODY	ENGINE	TRANS	DESCRIPTION
[EJD] = 1.6, 4 Cylinder SOHC use block.								
[ECH]= 2.0, 4 Cylinder SOHC 16V Hi Perf use block.								
[ECB] = 2.0, 4 Cylinder SOHC 16V use block.								
NOTE: The tag for the unified body harness is located under the carpet at the left rear door. use block.								
1								WIRING, Unified Body
	#4794 626AA	1	D, P					with Rear Defogger, Power Locks, Light Package
	#4794 627AA	1	D, P					Without Power Locks, with Rear Defogger
	#4794 628AA	1	D, P					Export
	#4794 629AA	1	Z					
	#4794 630AA	1	D, P					With Wide License Plate, Power Locks, Export
	#4794 631AA	1	D, P					with Wide License Plate without Power Locks, Export
	#4794 632AA	1	D, P					with Rear Defogger, Power Locks, Mexico
	#4794 633AA	1	D, P					with Rear Defogger, Security Alarm, Mexico
2								WIRING, Deck Lid
	4793 573AC	1						with Trunk Lamp. without Power Trunklid Release
	4794 098AE	1						with Keyless Entry
3								WIRING, Dome Lamp
	4794 150AA	1						without Security or Sunroof
	4794 233AA	1						with Security without Sunroof
	4794 325AA	1						with Sunroof without Security
	4794 326AA	1						with Security and Sunroof
4								WIRING, Illuminated Visor
	4793 574AD	1						with Light Group, without Sunroof
	4794 314AE	1						with Sunroof
5								WIRING, Front Door
	#4794 618AA	1	D, P					with Power Mirrors, Windows, Locks, Right
	#4794 619AA	1	D, P					with Power Mirrors, Windows, Locks, Left
	#4794 620AA	1	Z					with Power Mirrors, Right
	#4794 621AA	1	Z					with Power Mirrors, Left
	#4794 623AA	2	D, P					Without Power Mirrors, with Power Locks
	#4794 624AA	2	D, P					Without Power Mirrors, Windows
	#4794 882AA	2	D, P					Without Power Mirrors, Windows, Locks
6								WIRING, Rear Door

DODGE - CHRYSLER NEON (PL)

SERIES	LINE	BODY	ENGINE	TRANSMISSION
L=Low Line	Z=Chrysler, RHD	41 = 4 Door,	ECB,EC0=2.0L 4 Cyl., 16V SMPI	DD5=5 Speed Manual
H=High Line	D=Dodge	104WB	ECH,EC0=2.0L 4 Cyl, 16V SOHC	DGC=3 Speed Automatic
	D=Chrysler		EJD,EJ0=1.6L 4 Cyl 16V, SOHC	DGL=4 Speed Automatic
	P=Plymouth		EBD,EB0=1.8L 4 Cyl 16V SEF	DG0=All Automatics
				DBB=All 5 Speed Manual

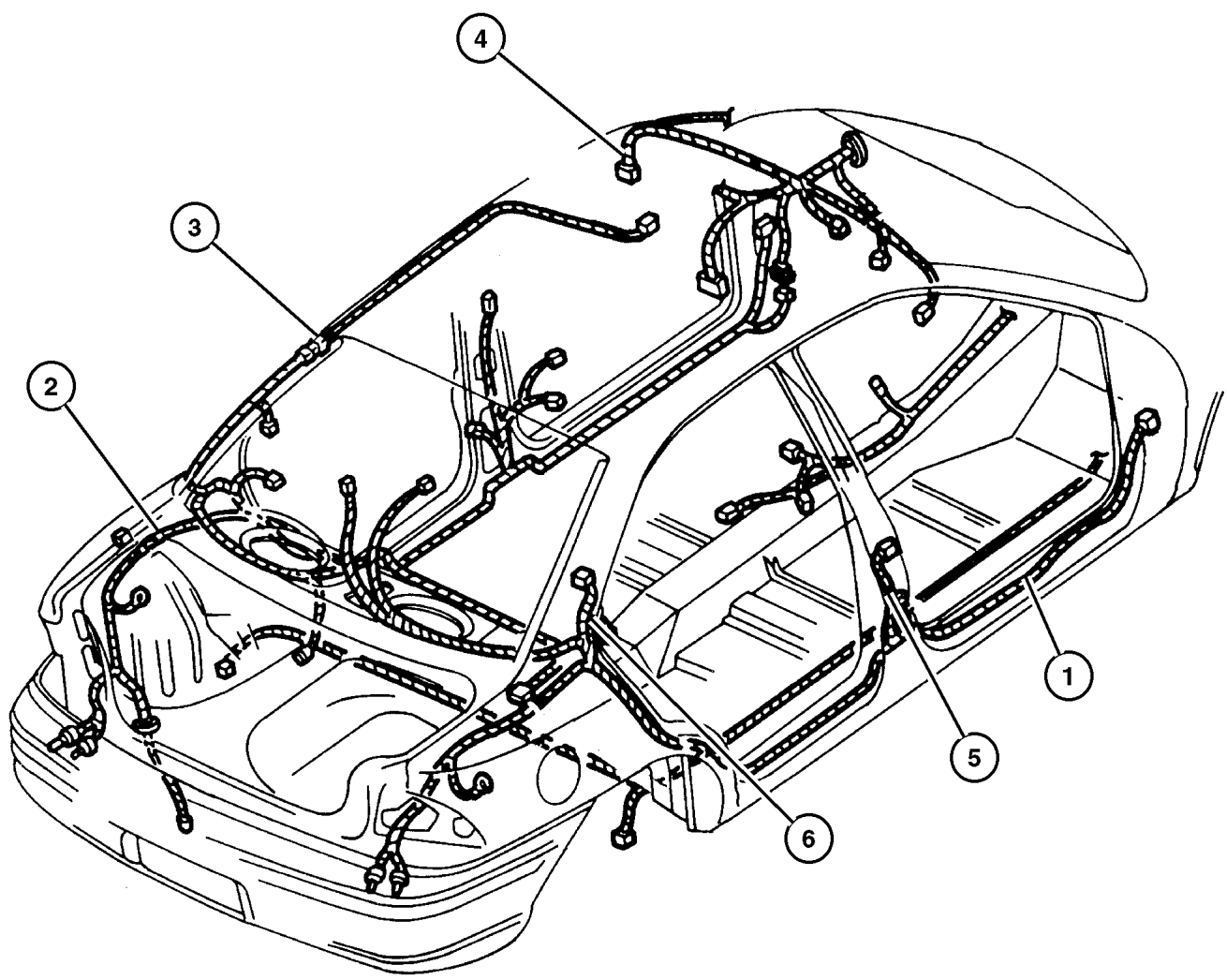
AR = Use as required - = Non illustrated part # = New this model year

May 2, 2002



Wiring, Body and Accessories
Figure 008-1505

ITEM	PART NUMBER	QTY	LINE	SERIES	BODY	ENGINE	TRANS	DESCRIPTION
	#4794 598AA	2						
	#4794 625AA	2						with Power Locks
-7	4793 949AB	1	D, P					WIRING, A/C and HEATER
	4793 950AB	1	Z					
-8	4794 310AB	1						WIRING, Fog Lamp Domestic
	4794 311AC	1						Export
-9								WIRING, Battery
	#4793 571AH	1				ECB, ECH, EJD		
-10	#4794 365AA	1						WIRING, Side Air Bag Jumper
	#4794 368AC	1	D, P					
	#4794 461AB	1	Z					
-11	#4794 462AB	1						WIRING, Power Seat Jumper
-12								WIRING, A/C Resistor and Wiper Motor
	4794 001AD	1	D, P					
	4794 105AC	1	Z					
-13	4794 043AD	1						WIRING, Underhood Lamp



DODGE - CHRYSLER NEON (PL)				
SERIES	LINE	BODY	ENGINE	TRANSMISSION
L=Low Line	Z=Chrysler, RHD	41 = 4 Door,	ECB,EC0=2.0L 4 Cyl., 16V SMPI	DD5=5 Speed Manual
H=High Line	D=Dodge	104WB	ECH,EC0=2.0L 4 Cyl, 16V SOHC	DGC=3 Speed Automatic
	D=Chrysler		EJD,EJ0=1.6L 4 Cyl 16V, SOHC	DGL=4 Speed Automatic
	P=Plymouth		EBD,EB0=1.8L 4 Cyl 16V SEF	DG0=All Automatics
				DBB=All 5 Speed Manual

AR = Use as required - = Non illustrated part # = New this model year

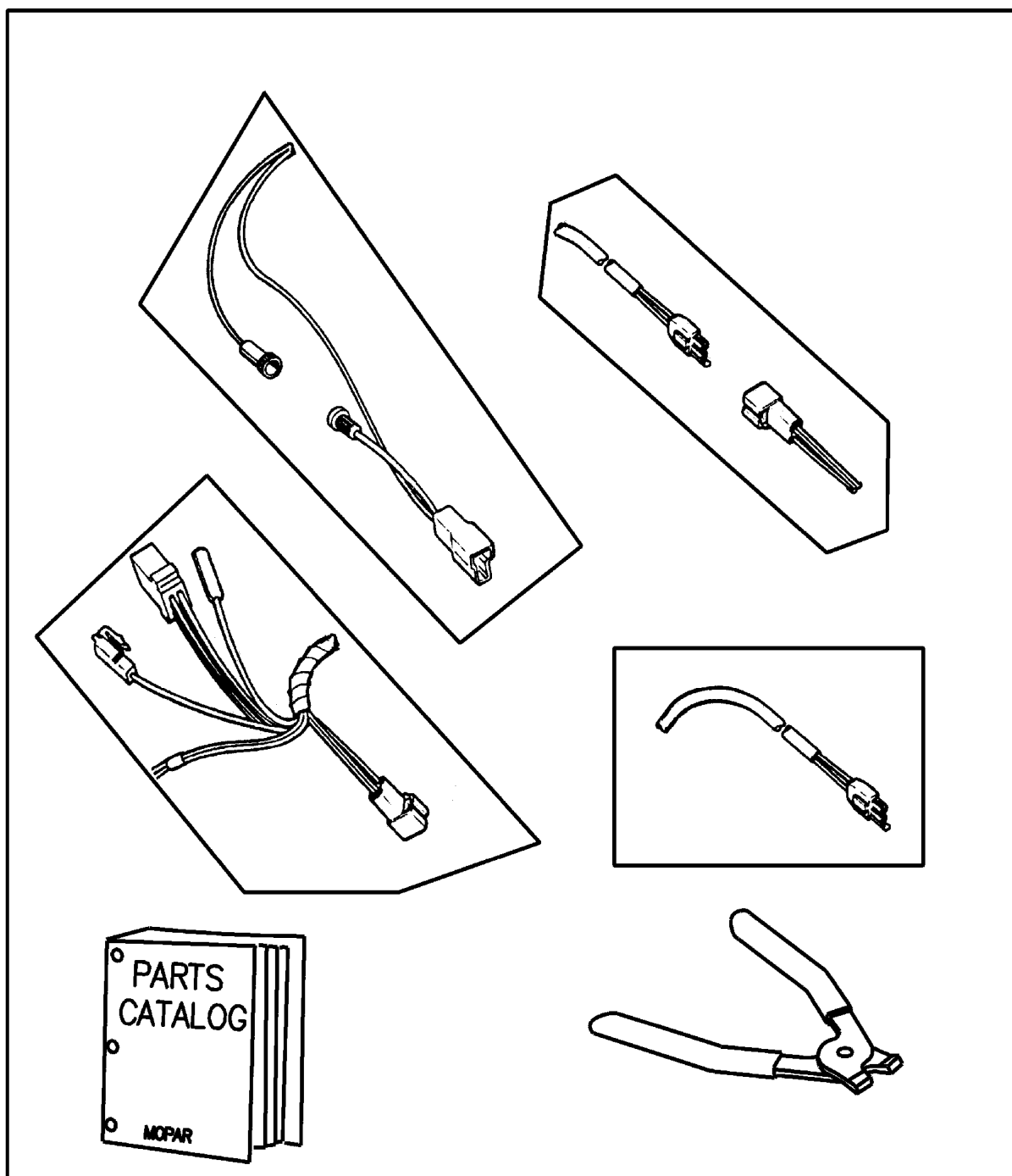
May 2, 2002

Wiring Repair Packages Figure 008-1605

ITEM	PART NUMBER	QTY	LINE	SERIES	BODY	ENGINE	TRANS	DESCRIPTION
------	-------------	-----	------	--------	------	--------	-------	-------------

[EJD] = 1.6, 4 Cylinder SOHC use block.
 [ECH]= 2.0, 4 Cylinder SOHC 16V Hi Perf use block.
 [ECB] = 2.0, 4 Cylinder SOHC 16V use block.

1	5013 930AB	1						WIRING PACKAGE, Underhood Connector Repair
-2	4364 375	1	D, P			ECB, ECH, EJD		TUBE, Convoluted

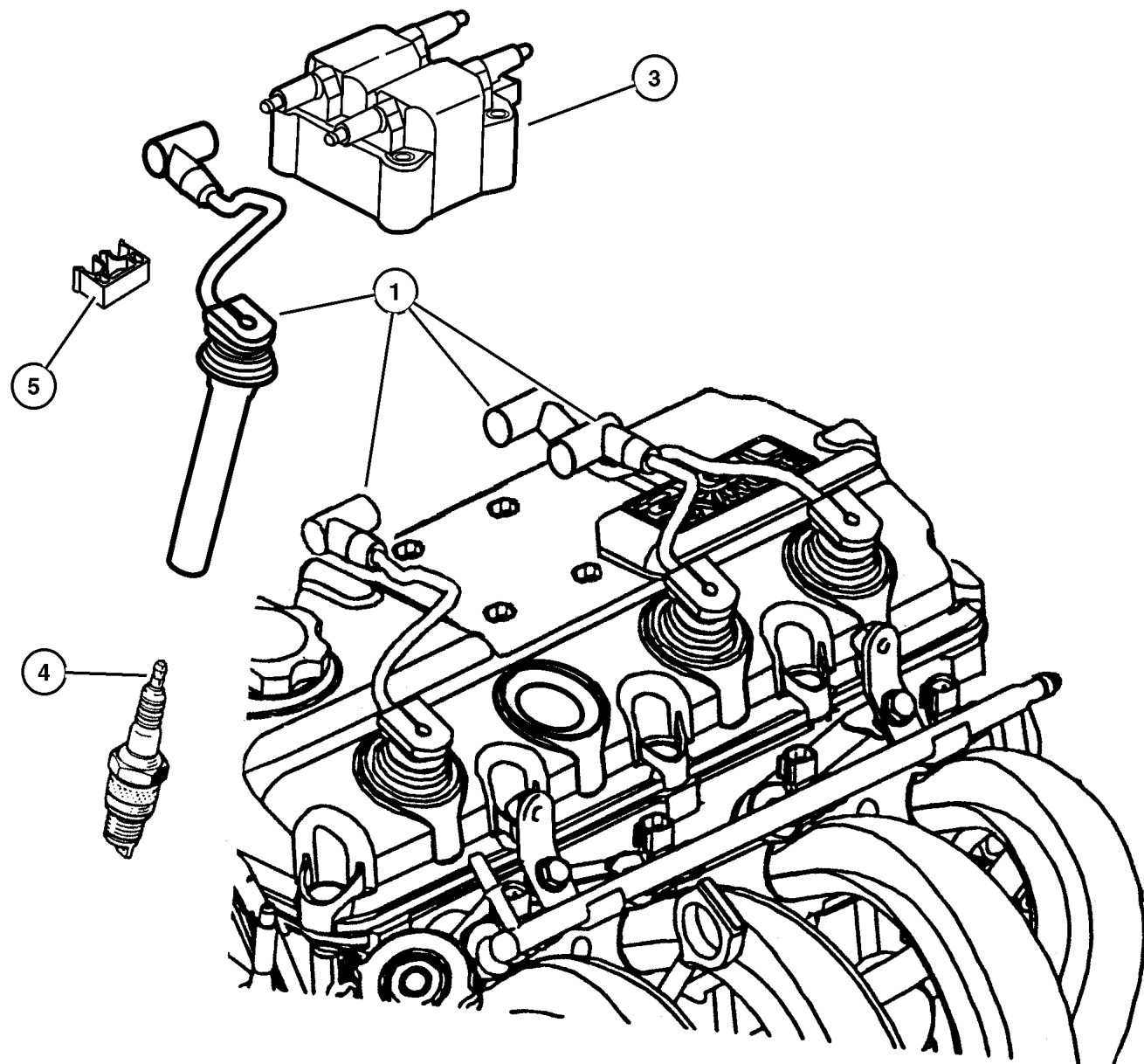


1

DODGE - CHRYSLER NEON (PL)	SERIES	LINE	BODY	ENGINE	TRANSMISSION
L=Low Line	Z=Chrysler, RHD	41 = 4 Door,	ECB,EC0=2.0L 4 Cyl., 16V SMPI	DD5=5 Speed Manual	
H=High Line	D=Dodge	104WB	ECH,EC0=2.0L 4 Cyl, 16V SOHC	DGC=3 Speed Automatic	
	D=Chrysler		EJD,EJ0=1.6L 4 Cyl 16V, SOHC	DGL=4 Speed Automatic	
	P=Plymouth		EBD,EB0=1.8L 4 Cyl 16V SEF	DG0=All Automatics	
				DBB=All 5 Speed Manual	

AR = Use as required - = Non illustrated part # = New this model year

Spark Plugs, Cables, Coils Figure 008-1905



ITEM	PART NUMBER	QTY	LINE	SERIES	BODY	ENGINE	TRANS	DESCRIPTION
[EJD] = 1.6, 4 Cylinder SOHC use block.								
[ECH]= 2.0, 4 Cylinder SOHC 16V Hi Perf use block.								
[ECB] = 2.0, 4 Cylinder SOHC 16V use block.								
1								CABLE, Ignition
	5269 577	2				ECH		cylinders 1 & 4
		2				ECB		cylinders 1 & 4
	5269 578	2				ECH		cylinders 2 & 3
		2				ECB		cylinders 2 & 3
	#5033 049AA	1				EJD		cylinder 1, Export
	#5033 050AA	1				EJD		cylinder 2, Export
	#5033 051AA	1				EJD		cylinder 3, Export
	#5033 052AA	1				EJD		cylinder 4, Export
-2								CABLE PACKAGE, Ignition
	#5019 207AA	1				EJD		Export
	4883 233AB	1				ECB		
3								COIL, Ignition
	5269 670	1				EJD		Export
		1				ECH		
		1				ECB		
4								SPARK PLUG, RC-9-YC
	SP000 RC9YC	4				ECH		
		4				ECB		
5								RETAINER, Ignition Cable
	5269 579	2				EJD		
		2				ECH		
		2				ECB		

DODGE - CHRYSLER NEON (PL)

SERIES	LINE	BODY	ENGINE	TRANSMISSION
L=Low Line	Z=Chrysler, RHD	41 = 4 Door,	ECB,EC0=2.0L 4 Cyl., 16V SMPI	DD5=5 Speed Manual
H=High Line	D=Dodge	104WB	ECH,EC0=2.0L 4 Cyl, 16V SOHC	DGC=3 Speed Automatic
	D=Chrysler		EJD,EJ0=1.6L 4 Cyl 16V, SOHC	DGL=4 Speed Automatic
	P=Plymouth		EBD,EB0=1.8L 4 Cyl 16V SEF	DG0=All Automatics
				DBB=All 5 Speed Manual

AR = Use as required - = Non illustrated part # = New this model year

May 2, 2002

Group – 08A

Instrument Panel and Radios and Consoles

GROUP 8A - Instrument Panel and Radios and Consoles

Illustration Title

Group-Fig. No.

Instrument Panel

Instrument Panel Fig. 08A-105

Instrument Panel Cluster

Cluster, Instrument Panel Fig. 08A-205

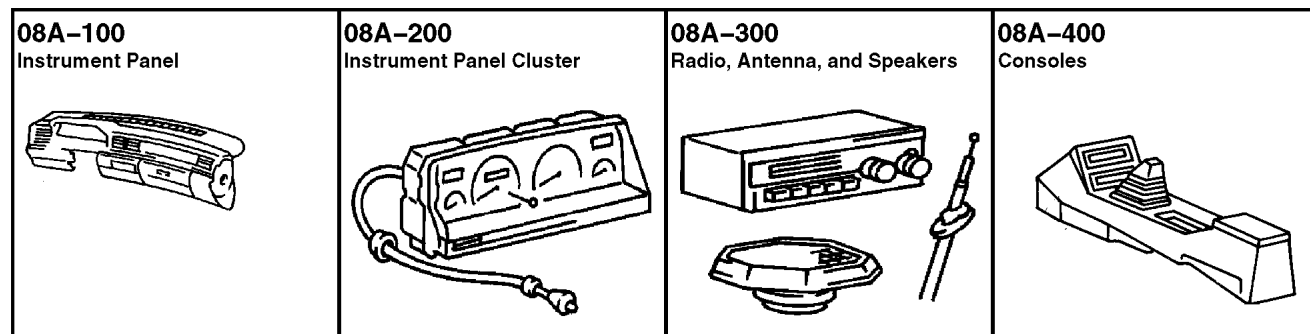
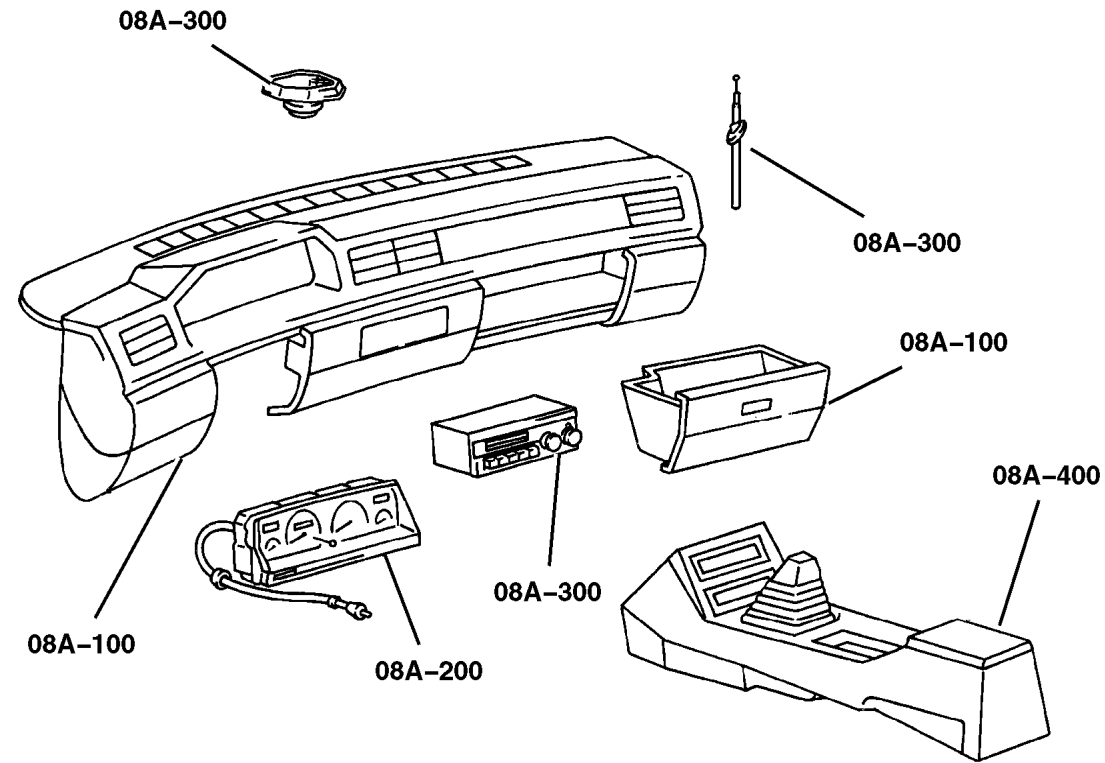
Radio, Antenna, and Speakers

Radios Fig. 08A-305

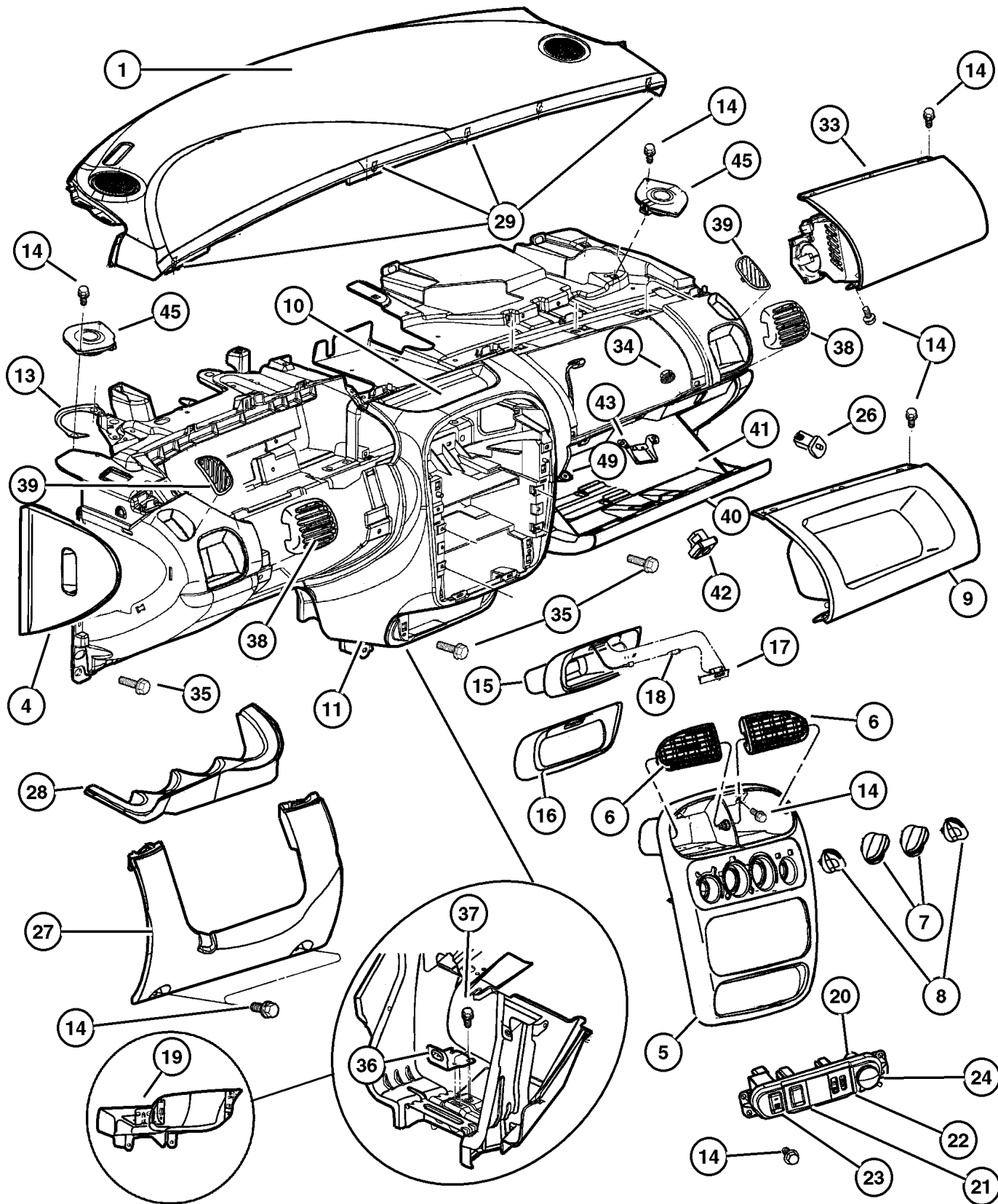
Antenna - Speakers Fig. 08A-310

Consoles

Console-Floor Fig. 08A-405



Instrument Panel
Figure 08A-105



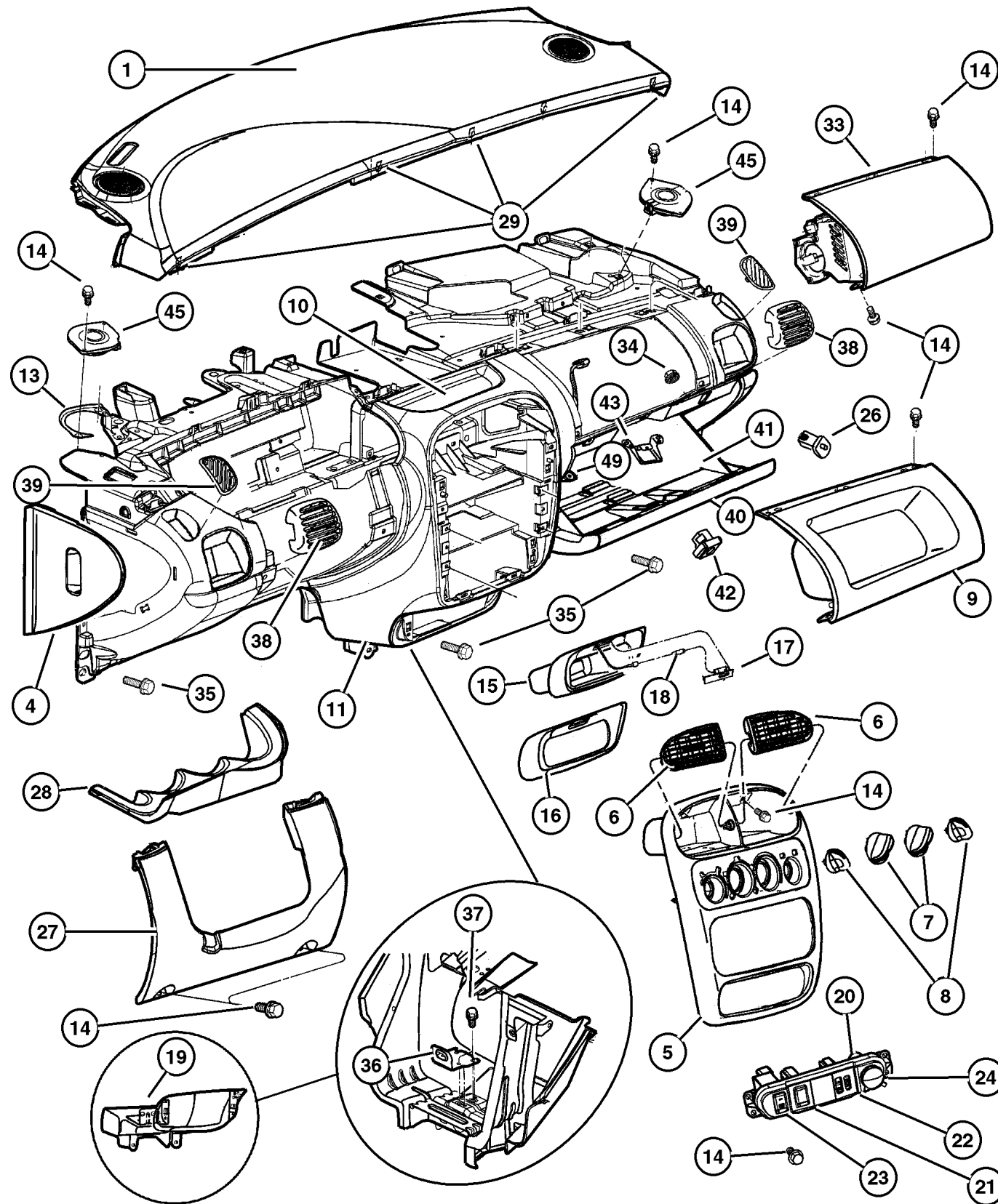
ITEM	PART NUMBER	QTY	LINE	BODY	DESCRIPTION
1					COVER, Instrument Panel
	QA05 WL8AE	1	D, P		[L5]
	QA05 XDVAE	1	D, P		[DV]
	QS64 WL8AE	1	Z		[L5]
	QS64 XDVAE	1	Z		[DV]
-2					SEAL, Instrument Panel
	5291 494AA	1	Z		
		1	D, P		
-3	5008 012AA	1			ISOLATOR, Cowl Top, Centering
4					END CAP, Instrument Panel
	QN18 WL5AC	1	D, P		[L5] Right
	QN18 XDVAC	1	D, P		[DV] Right
	QN19 WL5AD	1	D, P		[L5] Left
	QN19 XDVAD	1	D, P		[DV] Left
	QS65 WL5AD	1	Z		[L5], Left
	QS65 XDVAD	1	Z		[DV], Left
	QS66 WL5AD	1	Z		[L5], Right
	QS66 XDVAD	1	Z		[DV], Right
	RR12 WL5AB	1	D, P		[L5], Right,Export
	RR12 XDVAB	1	D, P		[DV], Right,Export
5					BEZEL, Instrument Panel, Center
	SM13 LAZAD	1	D, P		with Air Conditioning (Bronze Weave) Agate
	SM13 WL5AD	1	D, P		with Air Conditioning (Bronze Weave) Taupe
	QA02 DX9AD	1	D, P		with Air Conditioning (Black)
	QS81 AAAAD	1	Z		with Air Conditioning {Woodgrain}
	QT01 DX9AD	1	D, P		without Air Conditioning (Black)
	QT44 AAAAD	1	D, P		with Air Conditioning {Woodgrain}
	SM14 LAZAD	1	D, P		without Air Conditioning (Bronze Weave) Agate
	SM14 WL5AD	1	D, P		without Air Conditioning (Bronze Weave) Taupe
	#SM15 LAZAD	1	Z		with Air Conditioning (Bronze Weave) Agate
	#SM15 WL5AD	1	Z		with Air Conditioning (Bronze Weave) Taupe
6					OUTLET, Air
	QT58 DX9AC	1			Right,Center
	QT59 DX9AC	1			Left,Center
7					KNOB, A/C Control
	SZ13 DX9AA	2			Black
		1	Z		Black
8	SZ14 DX9AA	1			KNOB, Blower Switch, Black
9					TRAY, Instrument Panel
	SV74 WL5AA	1	D, P		Accessory [L5]
	SV74 XDVAA	1	D, P		Accessory [DV]
10					TRAY, Instrument Panel

DODGE - CHRYSLER NEON (PL)
 SERIES LINE BODY ENGINE TRANSMISSION
 L=Low Line Z=Chrysler, RHD 41 = 4 Door, ECB,EC0=2.0L 4 Cyl., 16V SMPI DD5=5 Speed Manual
 H=High Line D=Dodge 104WB ECH,EC0=2.0L 4 Cyl, 16V SOHC DGC=3 Speed Automatic
 D=Chrysler EJD,EJ0=1.6L 4 Cyl 16V, SOHC DGL=4 Speed Automatic
 P=Plymouth EBD,EB0=1.8L 4 Cyl 16V SEF DG0=All Automatics
 DBB=All 5 Speed Manual

AR = Use as required - = Non illustrated part # = New this model year

May 2, 2002

Instrument Panel
Figure 08A-105



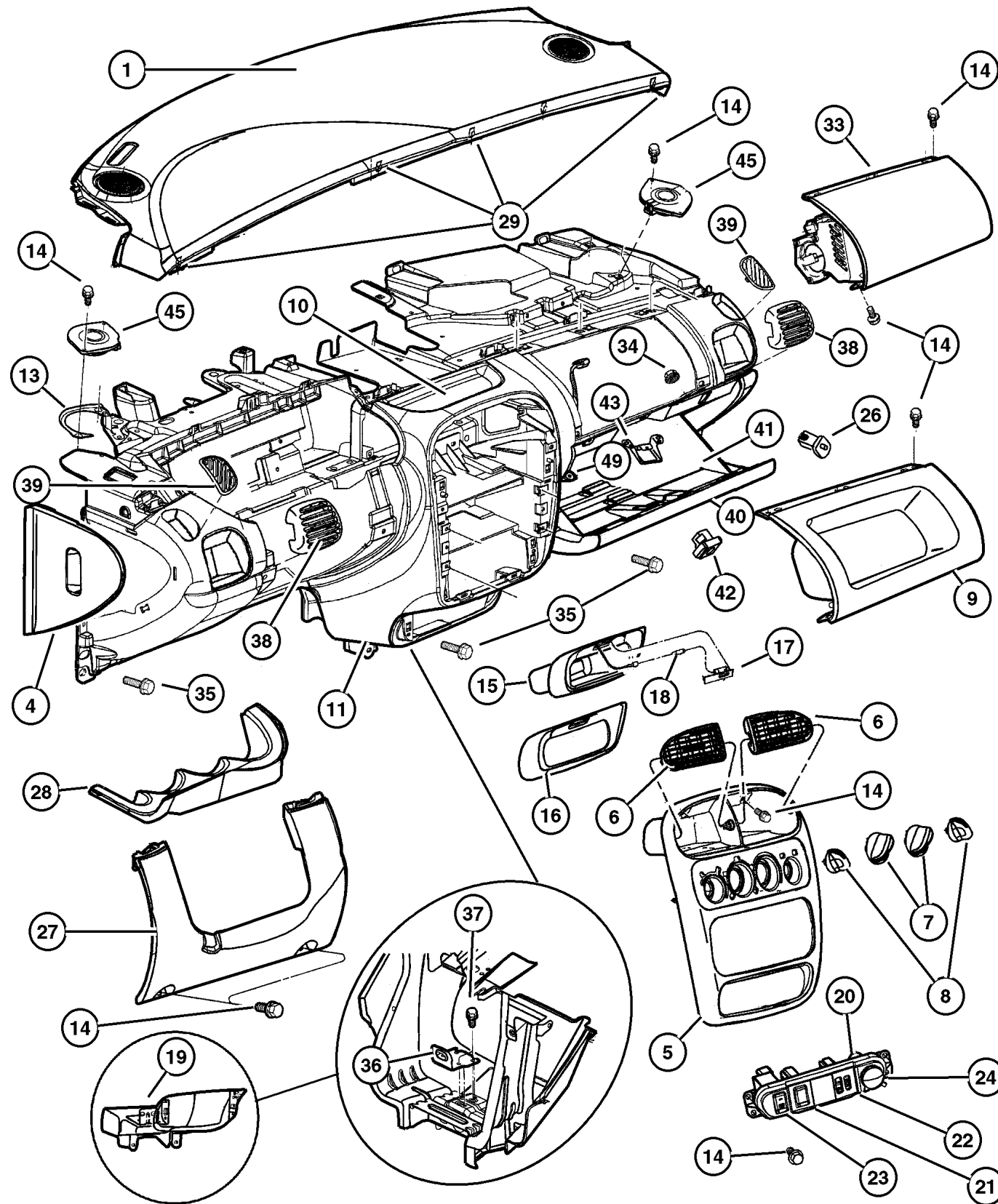
ITEM	PART NUMBER	QTY	LINE	BODY	DESCRIPTION
	SD63 WL5AA	1	D, P		[L5], Upper
		1	Z		[L5], Upper
	SD63 XDVAA	1	D, P		[DV], Upper
		1	Z		[DV], Upper
11					PANEL, Instrument
	TS26 WL5AB	1	Z		[L5]
	TS26 XDVAB	1	Z		[DV]
	TY80 WL5AB	1	D, P		[L5]
	TY80 XDVAB	1	D, P		[DV]
-12					REINFORCEMENT, Instrument Panel
	5291 270AA	1	Z		
	5291 249	1	D, P		
13					BRACKET, Speaker
	5291 321AB	1	D, P		
	5291 328AB	1	Z		
14					SCREW, Self Tapping, M4.2x1.69x19.05
	6032 723	3	D, P		
		3	Z		
15					BIN, Instrument Panel
	SF60 WL5AD	1			[L5]
	SF60 XDVAD	1			[DV]
16					BEZEL, Instrument Panel
	RG93 WL5AA	1			[L5] CD Changer
	RG93 XDVAA	1			[DV]CD Changer
17	4608 669AA	1			LAMP, Ash Receiver
18	L000 0037	1			BULB, 37, Console Flood Lamp
19	5291 355AB	1			REINFORCEMENT, Instrument Panel, Storage Bin
20					BEZEL, Cigar Lighter
	5015 790AB	1			with EBL, Traction Control, Headlamp Leveling
	5015 787AA	1			with EBL
	5015 788AB	1			with EBL, Traction Control
	5015 789AA	1			with EBL, Headlamp Leveling
21	4671 672AA	1			SWITCH, Traction Control
22	4794 276AA	1			SWITCH, Headlamp Leveling
23	4671 670AB	1			SWITCH, Electric Back Light
24					CAP, Cigar Lighter, Serviced in Bezel Assy. 19, (NOT SERVICED)
-25					BASE, Cigar Lighter, Serviced in Bezel Assy. 19, (NOT SERVICED)
26	4565 022	1			SWITCH AND LAMP, Glove Box
27					COVER, Steering Column
	QA03 WL5AD	1	D, P		with Tilt [L5]

DODGE - CHRYSLER NEON (PL)
 SERIES LINE BODY ENGINE TRANSMISSION
 L=Low Line Z=Chrysler, RHD 41 = 4 Door, ECB,EC0=2.0L 4 Cyl., 16V SMPI DD5=5 Speed Manual
 H=High Line D=Dodge 104WB ECH,EC0=2.0L 4 Cyl., 16V SOHC DGC=3 Speed Automatic
 P=Plymouth EJD,EJ0=1.6L 4 Cyl 16V, SOHC DGL=4 Speed Automatic
 EBD,EB0=1.8L 4 Cyl 16V SEF DGO=All Automatics
 DBB=All 5 Speed Manual

AR = Use as required - = Non illustrated part # = New this model year

May 2, 2002

Instrument Panel
Figure 08A-105



ITEM	PART NUMBER	QTY	LINE	BODY	DESCRIPTION
	QA03 XDVAD	1	D, P		with Tilt [DV]
	QS71 WL5AD	1	Z		with Tilt [L5]
	QS71 XDVAD	1	Z		with Tilt [DV]
28	QA06 1DVAC	1	D, P		BEZEL, Instrument Panel [DV]
	QA06 1L8AC	1	D, P		[L5]
	QS70 1DVAC	1	Z		[DV]
	QS70 1L8AC	1	Z		[L5]
29					CLIP, Instrument Panel
	6505 986AA	5	Z		
		5	D, P		
-30	4595 823AA	1			SMOKERS KIT, Ash Receiver With Lighter
-31	4595 665	1			ASH RECEIVER, Instrument Panel
-32					LABEL, Air Bag Warning
	4595 748AA	1			Glovebox Door
	4595 749AA	1	D, P		Glovebox Door (Bilingual)
	4787 437AA	2	D, P		Visor (5 Point English/French)
33					AIR BAG, Passenger
	QB72 WL5AC	1	D, P		[L5]
	QB72 XDVAC	1	D, P		[DV]
	QB74 WL5AC	1	Z		[L5]
	QB74 XDVAC	1	Z		[DV]
34	6101 446	3			NUT AND WASHER, Passenger Airbag Mounting
35					SCREW, Self Tapping, M4.2x1.69x19.05
	6032 723	2	D, P		
		2	Z		
36					BRACKET, Instrument Panel
	5291 370AA	1	D, P		CD Changer Mounting
	5291 443AA	1	Z		CD Changer Mounting
37					SCREW, (NOT SERVICED)
38					OUTLET, Air
	QT56 WL5AA	2	D, P		[L5]
		2	Z		[L5]
	QT56 XDVAA	2	D, P		[DV]
		2	Z		[DV]
39					GRILLE, Demister
	RB23 WL5AA	1	D, P		[L5], Left
	RB23 XDVAA	1	D, P		[DV], Left
	RB24 WL5AA	1	D, P		[L5], Right
	RB24 XDVAA	1	D, P		[DV], Right
	RC58 WL5AA	1	Z		[L5], Right
	RC58 XDVAA	1	Z		[DV], Right

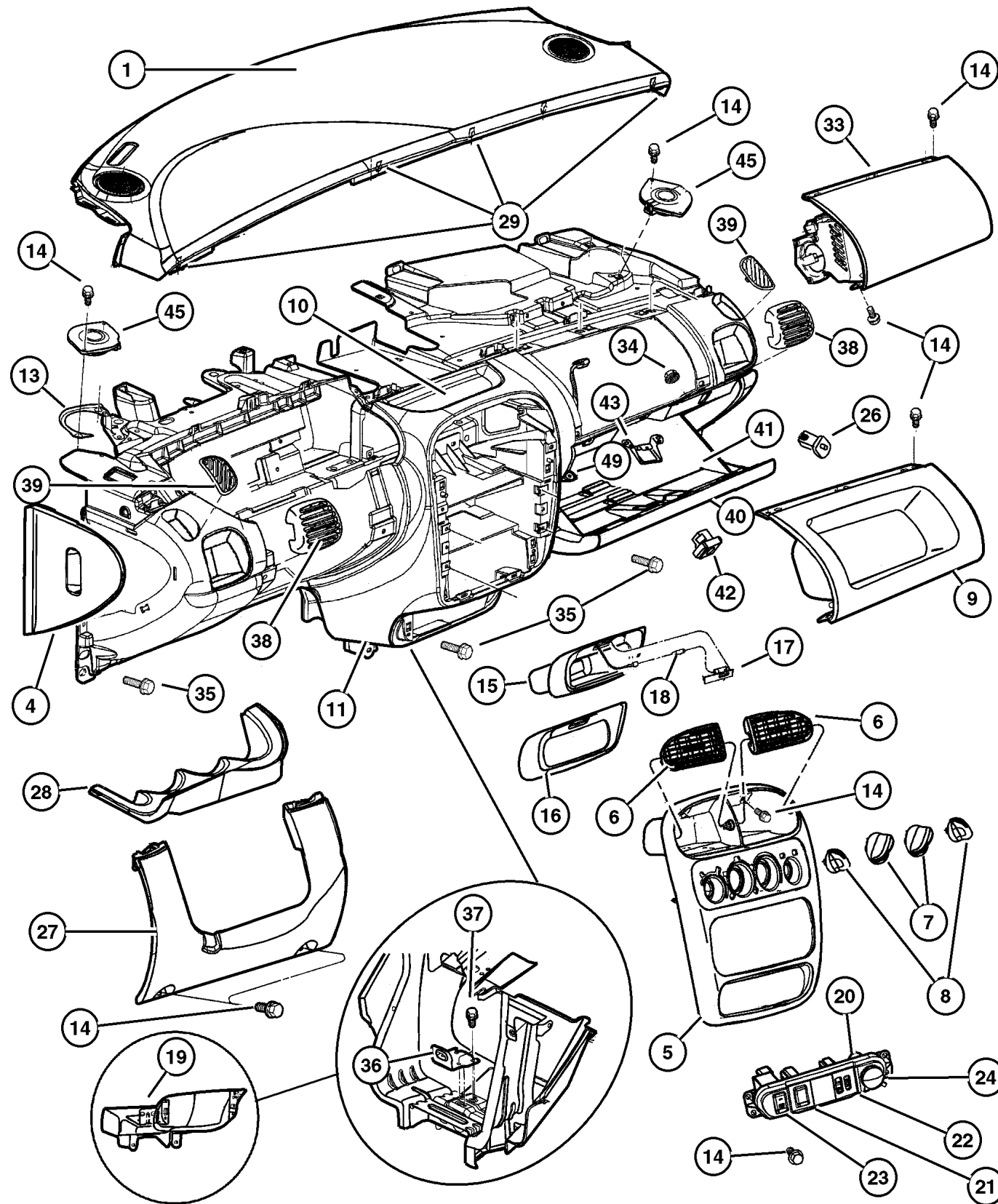
DODGE - CHRYSLER NEON (PL)

SERIES	LINE	BODY	ENGINE	TRANSMISSION
L=Low Line	Z=Chrysler, RHD	41 = 4 Door,	ECB,EC0=2.0L 4 Cyl., 16V SMPI	DD5=5 Speed Manual
H=High Line	D=Dodge	104WB	ECH,EC0=2.0L 4 Cyl, 16V SOHC	DGC=3 Speed Automatic
	D=Chrysler		EJD,EJ0=1.6L 4 Cyl 16V, SOHC	DGL=4 Speed Automatic
	P=Plymouth		EBD,EB0=1.8L 4 Cyl 16V SEF	DG0=All Automatics
				DBB=All 5 Speed Manual

AR = Use as required - = Non illustrated part # = New this model year

May 2, 2002

Instrument Panel
Figure 08A-105



ITEM	PART NUMBER	QTY	LINE	BODY	DESCRIPTION
	RC59 WL5AA	1	Z		[L5], Left
	RC59 XDVAA	1	Z		[DV], Left
40	QS69 WL5AA	1	Z		[L5]
	RB27 WL5AA	1	D, P		[L5]
	QS69 XDVAA	1	Z		[DV]
	RB27 XDVAA	1	D, P		[DV]
41	UB60 WL5AA	1	Z		BIN, Glove box [L5]
	UB60 XDVAA	1	Z		[DV]
42	P894 WL5	1	D, P		LATCH, Glovebox [L5]
		1	Z		[L5]
	P894 XDV	1	D, P		[DV]
		1	Z		[DV]
43	5291 341AA	1	D, P		STRIKER, Glove Box Door Latch
		1	Z		
-44					BUMPER, Glove Box Door
	5291 369AA	1	D, P		
		1	Z		
45	4793 608AB	2			SPEAKER, Instrument Panel
-46					MOLDING, instrument panel, (NOT REQUIRED)
-47					TRANSMITTER, Keyless Entry
	4759 008AD	2			
	4759 011AC	2			Export
	5293 046AA	2	Z		
-48					RECEIVER, Keyless Entry
	#5293 040AG	1			
	#5293 043AG	1			Export
	#5293 045AF	1	Z		
49	4760 847AC	1			SWITCH, Deck Lid Release
-50	4668 541AA	1	Z		BRACKET, Guide Clip Mounting

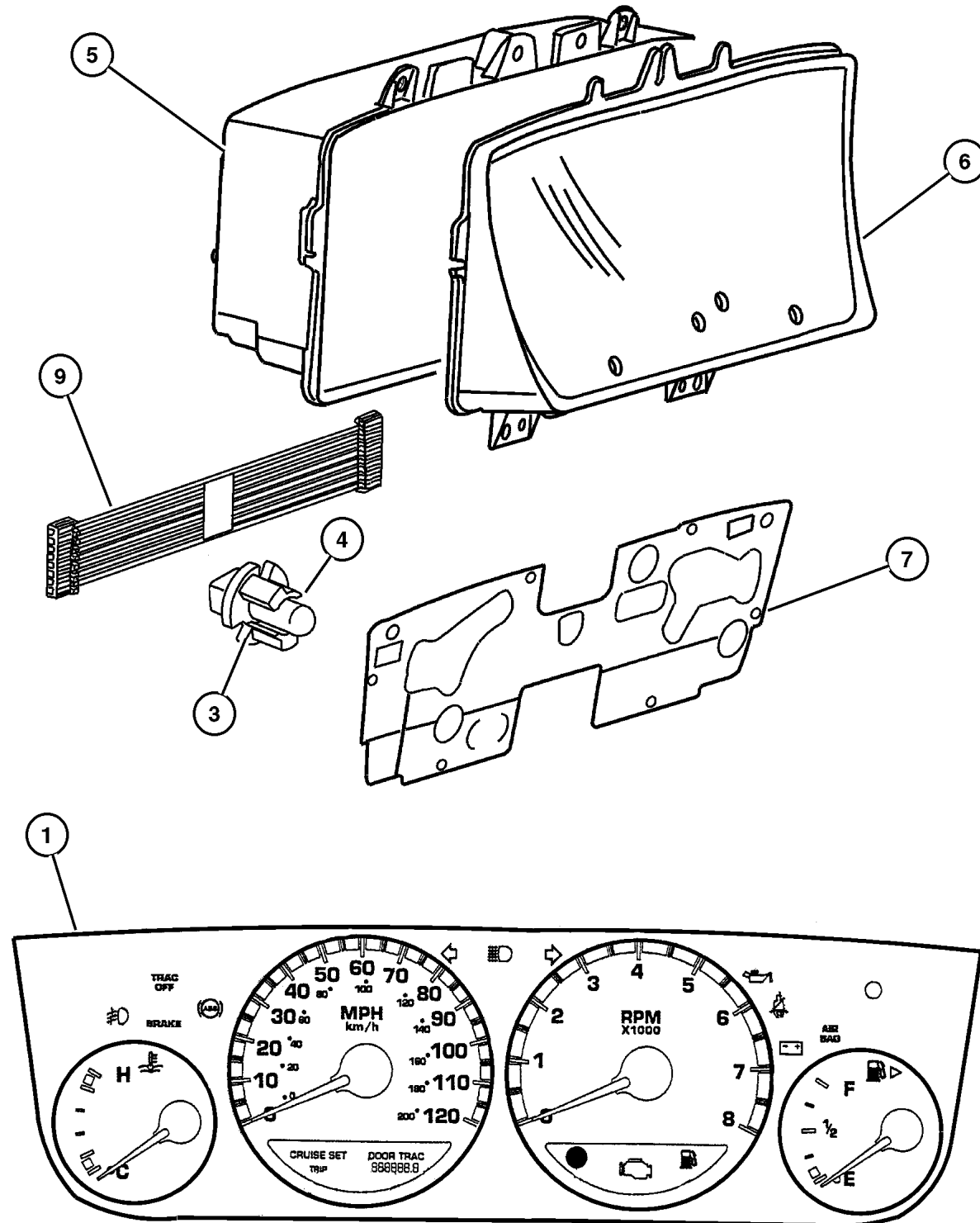
DODGE - CHRYSLER NEON (PL)

SERIES	LINE	BODY	ENGINE	TRANSMISSION
L=Low Line	Z=Chrysler, RHD	41 = 4 Door,	ECB,EC0=2.0L 4 Cyl., 16V SMPI	DD5=5 Speed Manual
H=High Line	D=Dodge	104WB	ECH,EC0=2.0L 4 Cyl, 16V SOHC	DGC=3 Speed Automatic
	D=Chrysler		EJD,EJ0=1.6L 4 Cyl 16V, SOHC	DGL=4 Speed Automatic
	P=Plymouth		EBD,EB0=1.8L 4 Cyl 16V SEF	DG0=All Automatics
				DBB=All 5 Speed Manual

AR = Use as required - = Non illustrated part # = New this model year

May 2, 2002

Cluster, Instrument Panel
Figure 08A-205



ITEM	PART NUMBER	QTY	LINE	BODY	DESCRIPTION
1					CLUSTER
	#4793 519AJ	1	D, P		120 MPH without Tach
	#4793 520AJ	1			240 KPH without Tach
	#4793 521AJ	1	D, P		120 MPH with Tach
	#4793 523AJ	1			240 KPH with Tach
	#4793 767AJ	1	Z		140 MPH with Tach
	#4793 768AJ	1	Z		240 KPH with Tach
	#4671 873AB	1	D, P		140 MPH with Tach
-2	6032 723	4			SCREW, Self Tapping, M4.2x1.69x19.05
3					SOCKET
	5015 235AA	1			
		1	Z		
	5015 236AA	6			
		6	Z		
	5015 237AA	5			
		5	Z		
4					LAMP, Bulb And Socket
	4688 388	AR	D, P		
		AR	Z		
5					HOUSING, Instrument Cluster
	5015 325AA	1			without Tach
	5015 330AA	1			with Tach
6					MASK AND LENS, Instrument Cluster
	5015 331AA	1	D, P		
		1	Z		
7					COVER, Instrument Cluster
	5015 332AA	1			without Tach
	5015 333AA	1			with Tach
-8					GAUGE, Odometer
	5015 334AA	1	D, P		
		1	Z		
9					CABLE, Odometer
	5015 336AA	1	D, P		
		1	Z		

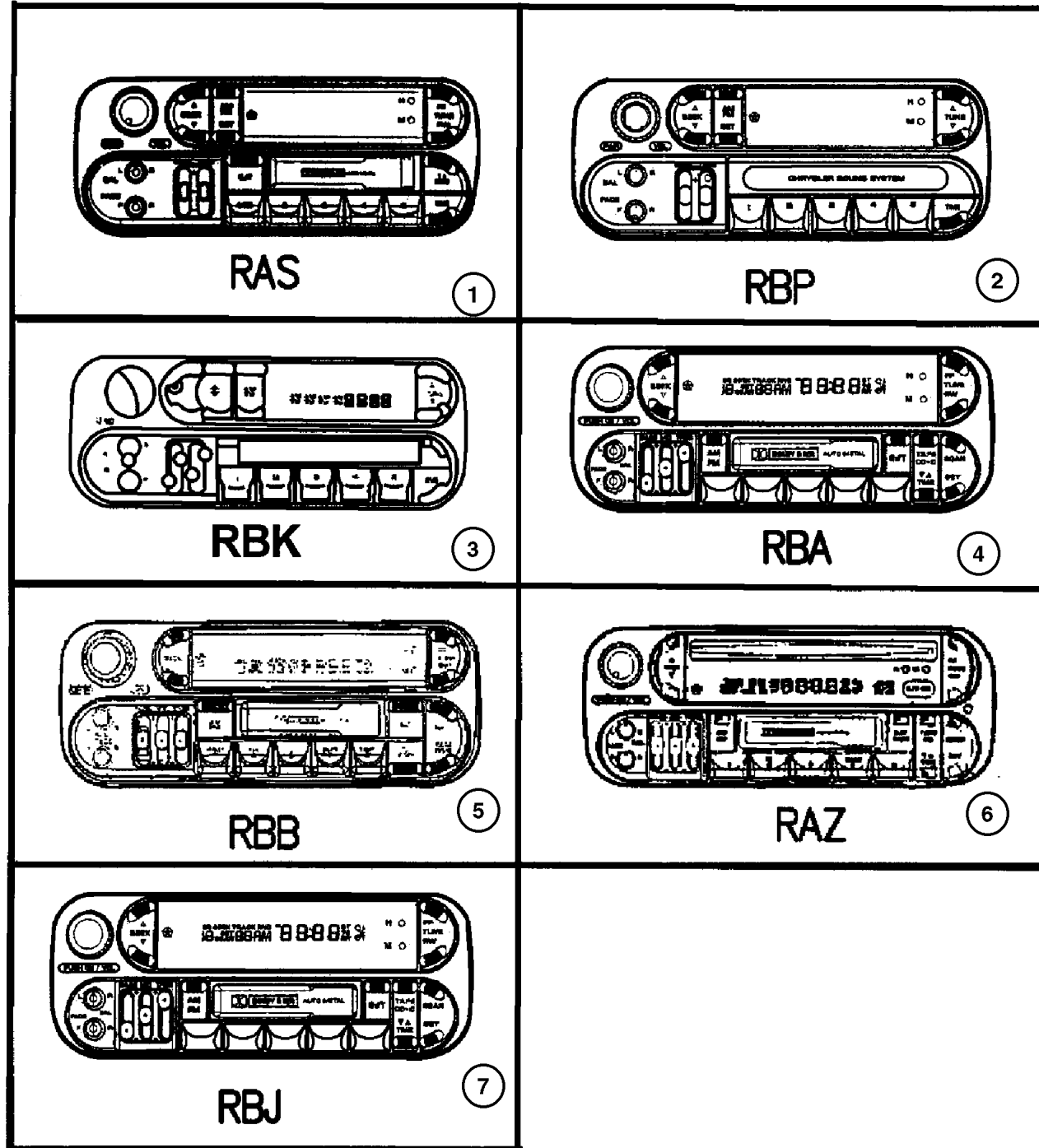
DODGE - CHRYSLER NEON (PL)

SERIES	LINE	BODY	ENGINE	TRANSMISSION
L=Low Line	Z=Chrysler, RHD	41 = 4 Door,	ECB,EC0=2.0L 4 Cyl., 16V SMPI	DD5=5 Speed Manual
H=High Line	D=Dodge	104WB	ECH,EC0=2.0L 4 Cyl, 16V SOHC	DGC=3 Speed Automatic
	D=Chrysler		EJD,EJ0=1.6L 4 Cyl 16V, SOHC	DGL=4 Speed Automatic
	P=Plymouth		EBD,EB0=1.8L 4 Cyl 16V SEF	DG0=All Automatics
				DBB=All 5 Speed Manual

AR = Use as required - = Non illustrated part # = New this model year

May 2, 2002

Radios
Figure 08A-305



ITEM	PART NUMBER	QTY	LINE	BODY	DESCRIPTION
NOTE: For CD Changer replacement order Z4858522AG on function 11 use block.					
[RAS] = AM/FM Cassette use block.					
[RBP] = AM/FM Cassette/CD/Changer Control use block.					
[RBK] = AM/FM Cassette/CD use block.					
[RBA] = AM/FM Cassette/Changer Controls use block.					
[RBB] = AM/FM Cassette/Changer Controls use block.					
[RAZ] = AM/FM Cassette/CD/ Equalizer use block.					
[RBJ] = AM/FM Cassette/Changer Controls use block.					
1	56038 931AB	1			RADIO, AM/FM Cassette, [RAS]
2	#56038 623AF	1			RADIO, AM/FM with CD and Cassette, [RBP]
3	#56038 567AF	1			RADIO, AM/FM with CD, [RBK]
4	4858 516AD	1			RADIO, AM/FM/Cassette With CD Control, [RBA]
5	#56038 518AH	1			RADIO, AM/FM Cassette with CD Control, [RBB]
6	4858 540AH	1			RADIO, AM/FM with CD and Cassette, [RAZ]
7	4858 514AD	1	Z		RADIO, AM/FM/Cassette With CD Control, (RBJ)
-8	8220 5811	1			PLAYER PACKAGE, CD Changer - 4 Disc
-9	4759 529AA	1			DIN CORD, CD Player
-10	#4760 999AA	1			WIRING, Compact Disc Changer
-11					BRACKET, Instrument Panel
	5291 370AA	1	D, P		CD Changer Mounting
	5291 443AA	1	Z		CD Changer Mounting

DODGE - CHRYSLER NEON (PL)

SERIES	LINE	BODY	ENGINE	TRANSMISSION
L=Low Line	Z=Chrysler, RHD	41 = 4 Door,	ECB,EC0=2.0L 4 Cyl., 16V SMPI	DD5=5 Speed Manual
H=High Line	D=Dodge	104WB	ECH,EC0=2.0L 4 Cyl, 16V SOHC	DGC=3 Speed Automatic
	D=Chrysler		EJD,EJ0=1.6L 4 Cyl 16V, SOHC	DGL=4 Speed Automatic
	P=Plymouth		EBD,EB0=1.8L 4 Cyl 16V SEF	DG0=All Automatics
				DBB=All 5 Speed Manual

AR = Use as required - = Non illustrated part # = New this model year

May 2, 2002

Antenna - Speakers
Figure 08A-310

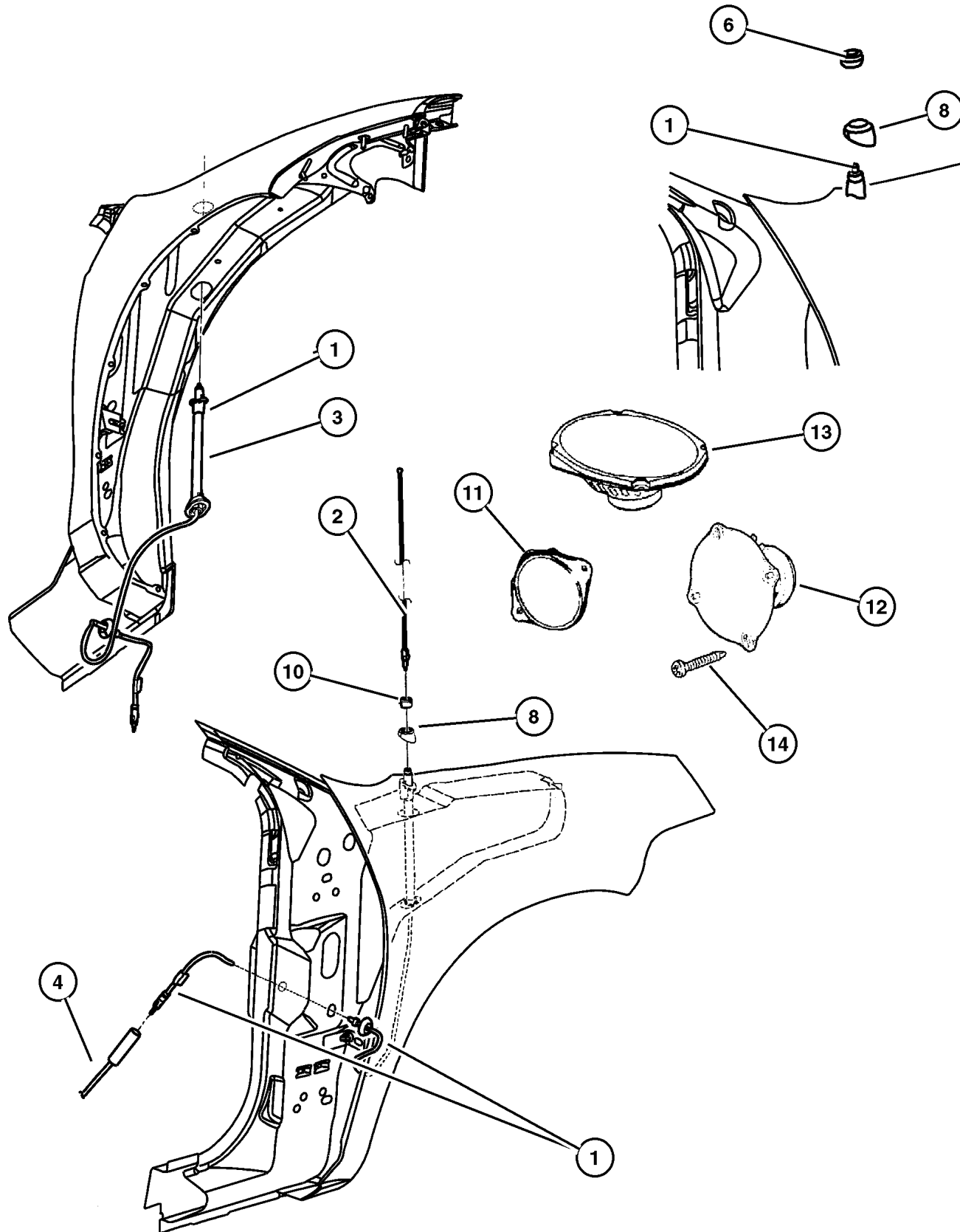
ITEM	PART NUMBER	QTY	LINE	BODY	DESCRIPTION
1					ANTENNA
	4793 961AD	1	D, P		Antenna Assy. Complete, Collapsible, Export
	4794 192AD	1	Z		Antenna Assy. Complete, Collapsible
2					MAST, Antenna
	4793 962AB	1	D, P		Collapsible, Export
		1	Z		Collapsible
	4794 176AA	1	D, P		Bright
	#4794 176AE	1	D, P		
3	4794 136AA	1	D, P		BODY AND CABLE, Antenna
4	5269 216AC	1			CABLE, Antenna Extension
-5					STRAP, Ground
	4794 263AA	1			Exhaust to Body
	4794 264AC	1			Strut Bracket to Body, Right
	4794 265AD	1			Strut Bracket to Body, Left
	4794 269AB	1			Engine to Body with 2.0 Engine
	#4794 301AB	1			Engine to Body with 1.6 Engine
6	4793 964AC	1			CAP NUT, Antenna
-7	4685 498	1			SHROUD, Antenna Cap Nut, Export
8					ADAPTER, Antenna
	4793 963AA	1	D, P		Domestic
	4794 193AA	1	Z		Export
-9	2860 332	1			PLUG, Anti-Rattle, Antenna Hole Plug
10	5600 7570	1	D, P		NUT, M6x1, Antenna
11	4793 608AB	2			SPEAKER, Instrument Panel
12					SPEAKER, Front Door
	4794 030AC	1			Right
	4794 031AC	1			Left
13	4793 613	2			SPEAKER, Rear, 6x9, Rear Shelf
14					SCREW, Self Tapping, M4.2x1.69x19.05
	6032 723	4			Instrument Panel Speaker
		8			Front Door Speaker
-15	4793 117	1			CAPACITOR, Radio Noise Suppression

DODGE - CHRYSLER NEON (PL)

SERIES	LINE	BODY	ENGINE	TRANSMISSION
L=Low Line	Z=Chrysler, RHD	41 = 4 Door,	ECB,EC0=2.0L 4 Cyl., 16V SMPI	DD5=5 Speed Manual
H=High Line	D=Dodge	104WB	ECH,EC0=2.0L 4 Cyl, 16V SOHC	DGC=3 Speed Automatic
	D=Chrysler		EJD,EJ0=1.6L 4 Cyl 16V, SOHC	DGL=4 Speed Automatic
	P=Plymouth		EBD,EB0=1.8L 4 Cyl 16V SEF	DG0=All Automatics
				DBB=All 5 Speed Manual

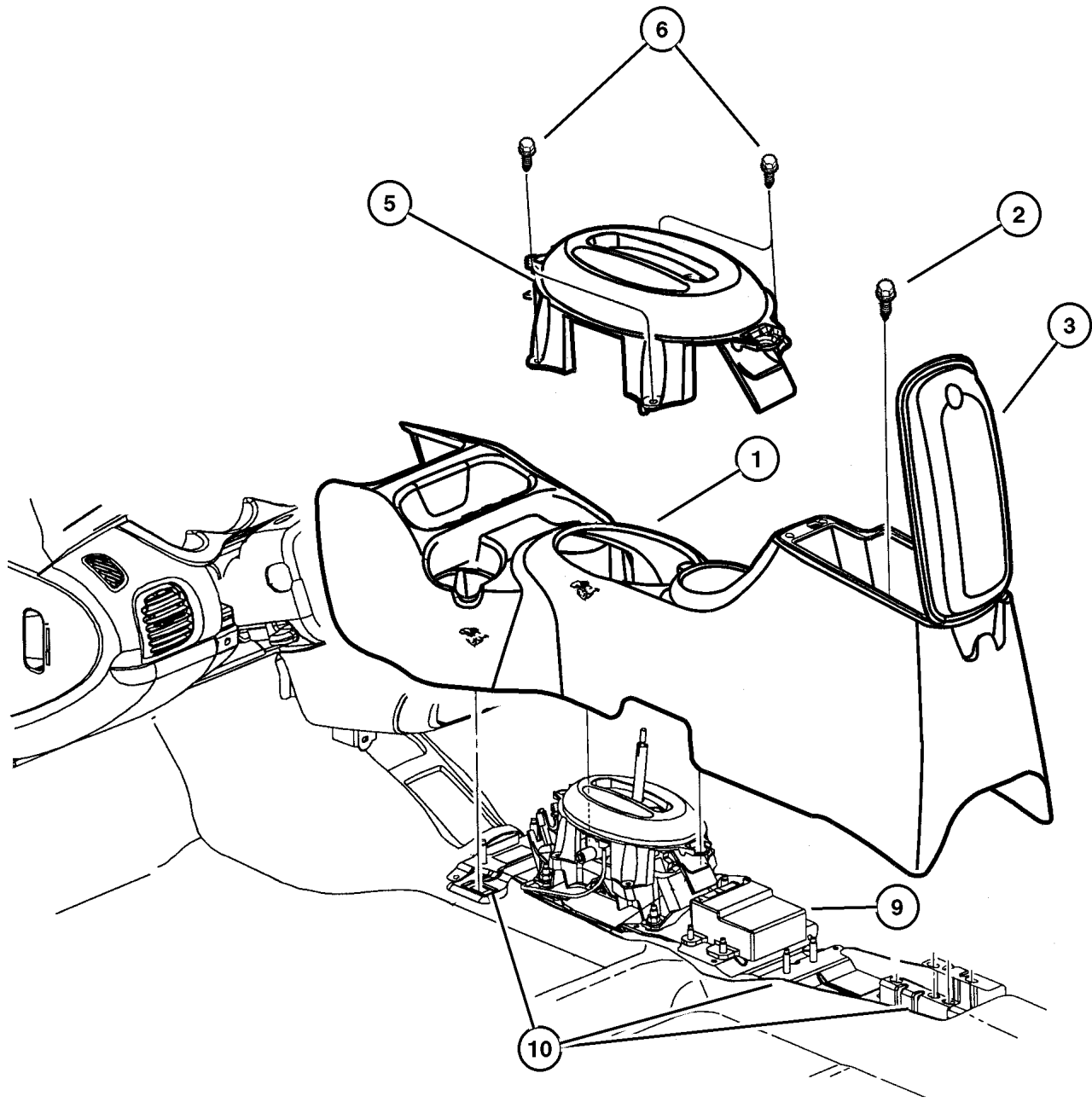
AR = Use as required - = Non illustrated part # = New this model year

May 2, 2002



Console-Floor
Figure 08A-405

ITEM	PART NUMBER	QTY	LINE	BODY	DESCRIPTION
1					BASE, Floor Console
	RZ92 1DVAC	1			[DV]
	RZ92 1L5AC	1			[L5]
2	6032 723	4			SCREW, Self Tapping, M4.2x1.69x19.05, Console Attaching
3					ARMREST, Console
	RZ75 1DVAA	1			[DV]
	RZ75 1L5AA	1			[L5]
	SL47 1L5AB	1			[L5] with LX Decor
	SL47 1DVAB	1			[DV] with LX Decor
-4	4665 361	2			BUMPER, Armrest Lid
5					BEZEL, Console PRNDL
	4671 417AD	1	D, P		
	SV44 LAZAC	1	D, P		[DV]
	SV44 WL5AC	1	D, P		[L5]
	SV45 LAZAC	1	Z		[DV]
	SV45 WL5AC	1	Z		[L5]
	SV46 AAAAC	1	D, P		Woodgrain
	SV47 AAAAC	1	Z		Woodgrain
6	0154 844	2			SCREW, Tapping, M5x1.81x15
-7	L000 0194	1			BULB, 194
-8	4595 823AA	1			SMOKERS KIT, Ash Receiver With Lighter
9					MODULE, Air Bag Control
	#4671 773AA	1			without Wide License Plate
	#4671 774AA	1			with Wide License Plate
	5293 227AB	1			Export
10	4783 733AE	1			BRACKET, Floor Console



DODGE - CHRYSLER NEON (PL)				
SERIES	LINE	BODY	ENGINE	TRANSMISSION
L=Low Line	Z=Chrysler, RHD	41 = 4 Door,	ECB,EC0=2.0L 4 Cyl., 16V SMPI	DD5=5 Speed Manual
H=High Line	D=Dodge	104WB	ECH,EC0=2.0L 4 Cyl, 16V SOHC	DGC=3 Speed Automatic
	D=Chrysler		EJD,EJ0=1.6L 4 Cyl 16V, SOHC	DGL=4 Speed Automatic
	P=Plymouth		EBD,EB0=1.8L 4 Cyl 16V SEF	DG0=All Automatics
				DBB=All 5 Speed Manual

AR = Use as required - = Non illustrated part # = New this model year

May 2, 2002

Group – 009

Engine Mounting

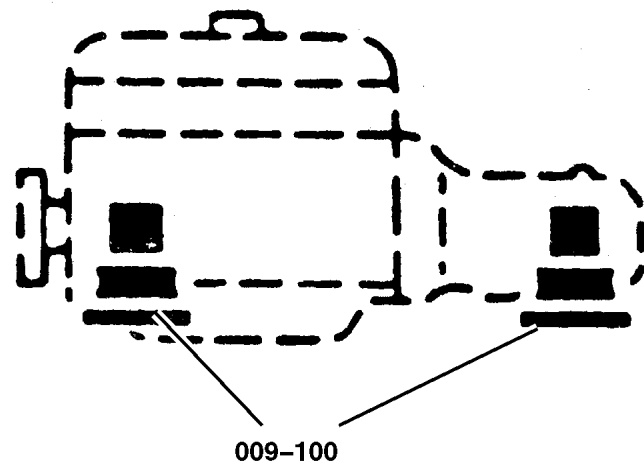
GROUP 9 - Engine Mounting

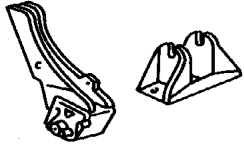
Illustration Title

Group-Fig. No.

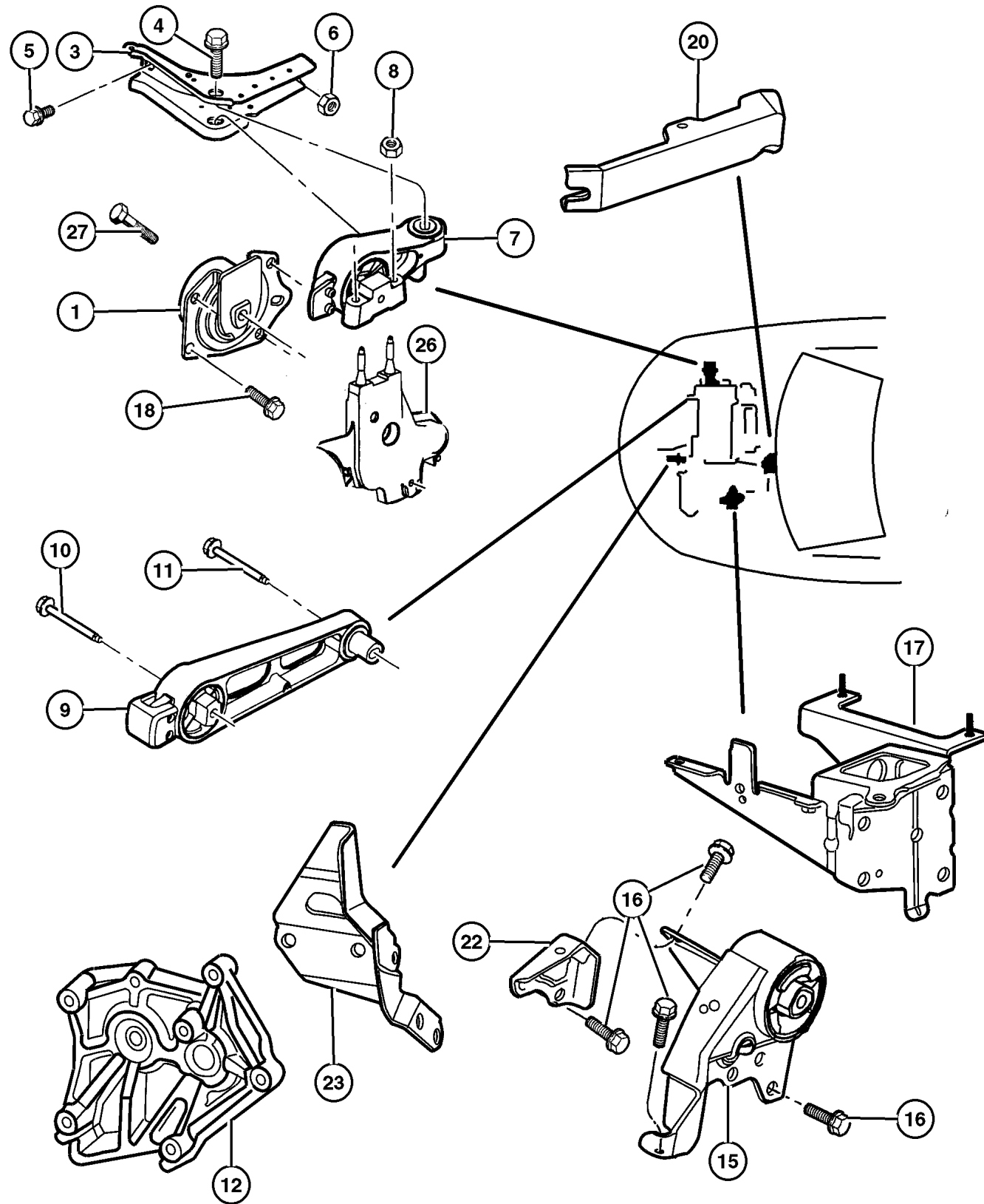
Engine Mounting

Engine Mounting Fig. 009-110



<p>009-100 Engine Mounting</p> 			
--	--	--	--

Engine Mounting Figure 009-110



ITEM	PART NUMBER	QTY	LINE	ENGINE	TRANS	DESCRIPTION
------	-------------	-----	------	--------	-------	-------------

NOTE: Sales Codes use block.
 [DD5]=5 Speed Manual Trans use block.
 [DGC]=3 Speed Auto Trans use block.
 [DGL]=4 Speed Auto Trans use block.
 [EBD]=1.8L Engine use block.
 [ECB]=2.0L Engine use block.
 [ECH]=2.0L R/T Engine use block.
 [EJD]=1.6L Engine use block.

1	4668 192AC	1		EBD, ECB, ECH, EJD		SUPPORT, Engine Mount
-2	4668 270AB	1		EBD, ECB, ECH		COLLAR, Structural, Oil Pan To Transmission
3	4668 263AB	1	D, P			BRACKET, Torque Reaction
4	6505 091AA	1				BOLT
5	6101 099	1				BOLT
6	6501 247	1				NUT, M12x1.75
7	4668 193AB	1			DGC	ISOLATOR, Engine Mount Upper, Automatic Transmission
	4668 346AC	1			DD5	Upper, Manual Transmission
8	6502 696	2				NUT, Hex Flange Lock, M10x1.5
9	4668 195AC	1			DGC, DGL	ISOLATOR, Transmission Mount
	4668 347AD	1		EBD, ECB	DD5	
	#4668 517AA	1		EJD	DD5	
10	6506 067AA	1				BOLT
11	6506 067AA	1				BOLT
12	4668 194AB	1		EBD, ECB		BRACKET, Torque Reaction
	#4668 459AB	1		EJD		
-13	6101 512	4		EBD, ECB		SCREW AND WASHER, Hex Head, M10x1.5x45
-14	6101 864	1		EBD, ECB		SCREW, M10x1.5x35
15	4668 527AC	1			DGC	SUPPORT, Engine Mount

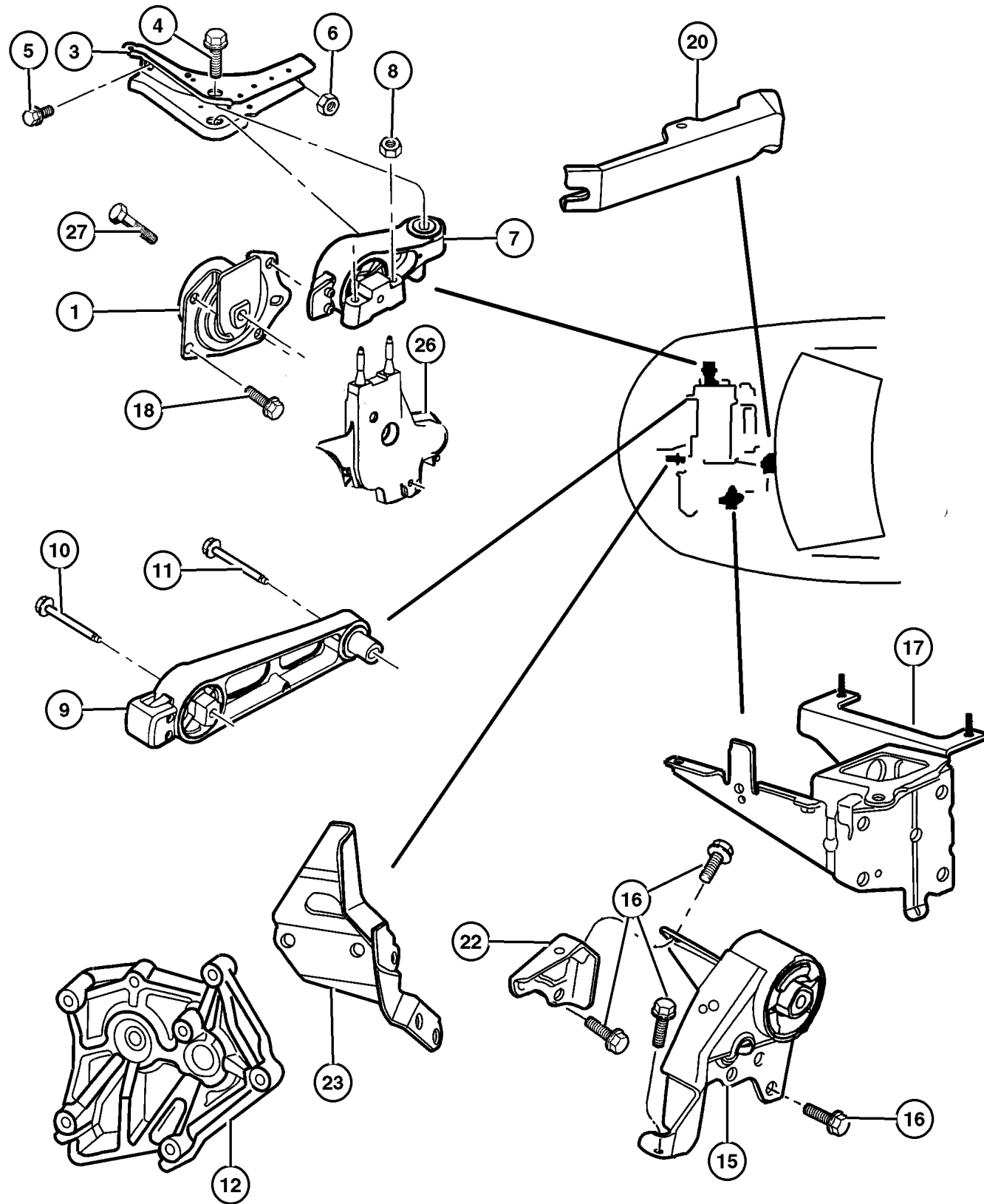
DODGE - CHRYSLER NEON (PL)

SERIES	LINE	BODY	ENGINE	TRANSMISSION
L=Low Line	Z=Chrysler, RHD	41 = 4 Door,	ECB,EC0=2.0L 4 Cyl., 16V SMPI	DD5=5 Speed Manual
H=High Line	D=Dodge	104WB	ECH,EC0=2.0L 4 Cyl, 16V SOHC	DGC=3 Speed Automatic
	D=Chrysler		EJD,EJ0=1.6L 4 Cyl 16V, SOHC	DGL=4 Speed Automatic
	P=Plymouth		EBD,EB0=1.8L 4 Cyl 16V SEF	DG0=All Automatics
				DBB=All 5 Speed Manual

AR = Use as required - = Non illustrated part # = New this model year

May 2, 2002

Engine Mounting Figure 009-110



ITEM	PART NUMBER	QTY	LINE	ENGINE	TRANS	DESCRIPTION
	4668 530AB	1		EBD, ECB, ECH, EJD	DD5	
16	6506 019AA	2		EBD, ECH, EJD		BOLT AND WASHER, Hex Head, M10x1.5x30
17	4668 526AD	1		EBD, ECB, ECH, EJD		SUPPORT, Engine Mount
18	6102 067AA	4				BOLT
	6506 067AA	1				
-19	6101 445	1				NUT AND WASHER, Hex Nut-Coned Washer, M8 x 1.25
20	4668 118AC	1			DGC, DGL	STRUT, Engine
	4668 176AC	1			DD5	
-21	6505 282AA	1		EBD, ECB	DGC, DGL	BOLT M12x1.75x30.00
	6505 283AA	2		EBD, ECB	DD5	M10x1.50x25.00
		1		EBD, ECB	DGC, DGL	M10x1.50x25.00
22	4668 540AA	1	D, P		DGC, DGL	BRACKET, Transmission Mount
23	4668 348AA	1		EBD, ECB	DGC, DGL	STRUT, Engine
-24	6101 503	2			DGC, DGL	SCREW AND WASHER, Hex Head, M10x1.5x25
		1			DD5	
-25	6502 887	1		EBD, ECB, ECH	DGC, DGL	SCREW AND WASHER, Hex Head, M12x1.75x60
26	4668 364AA	1		ECB	DD5	TENSIONER AND BRACKET, Engine Mount
27	6505 148AA	1				SCREW, M12-1.75x80

DODGE - CHRYSLER NEON (PL)

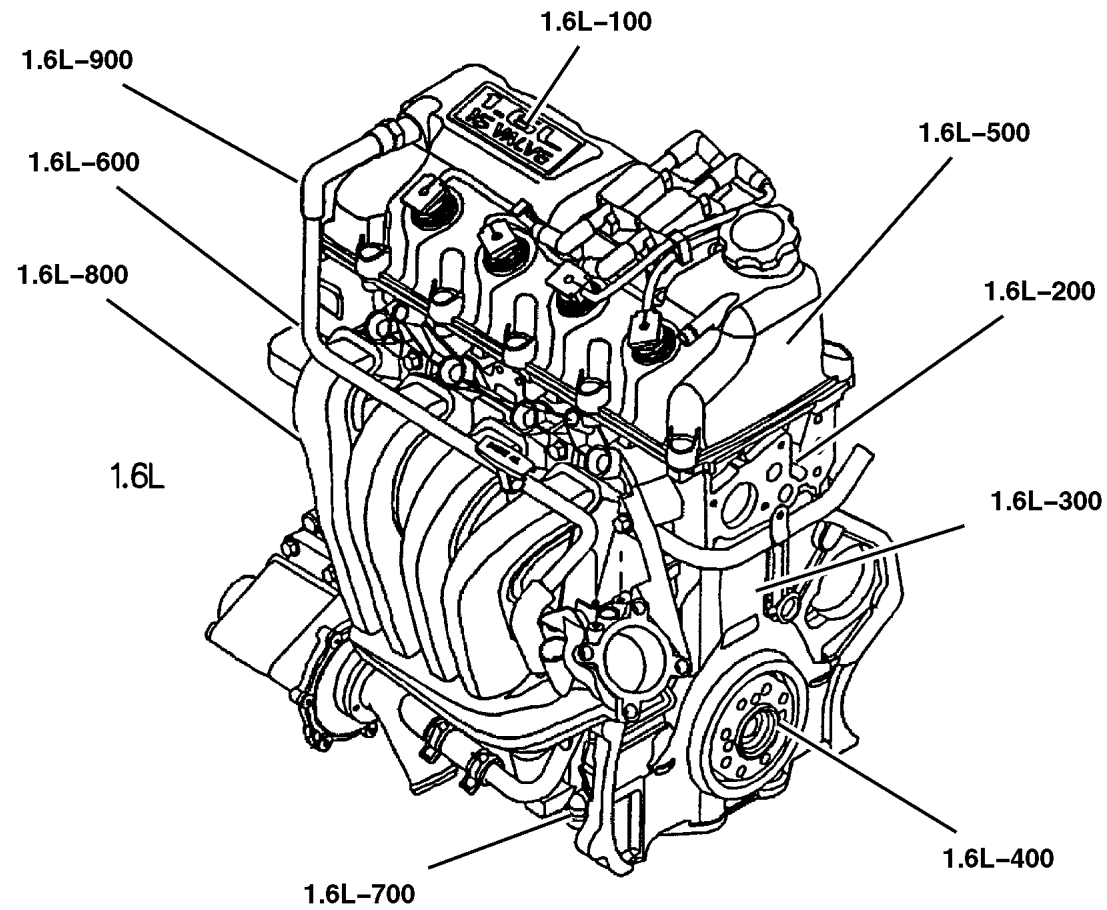
SERIES	LINE	BODY	ENGINE	TRANSMISSION
L=Low Line	Z=Chrysler, RHD	41 = 4 Door,	ECB,EC0=2.0L 4 Cyl., 16V SMPI	DD5=5 Speed Manual
H=High Line	D=Dodge	104WB	ECH,EC0=2.0L 4 Cyl, 16V SOHC	DGC=3 Speed Automatic
	D=Chrysler		EJD,EJ0=1.6L 4 Cyl 16V, SOHC	DGL=4 Speed Automatic
	P=Plymouth		EBD,EB0=1.8L 4 Cyl 16V SEF	DG0=All Automatics
				DBB=All 5 Speed Manual

AR = Use as required - = Non illustrated part # = New this model year

May 2, 2002

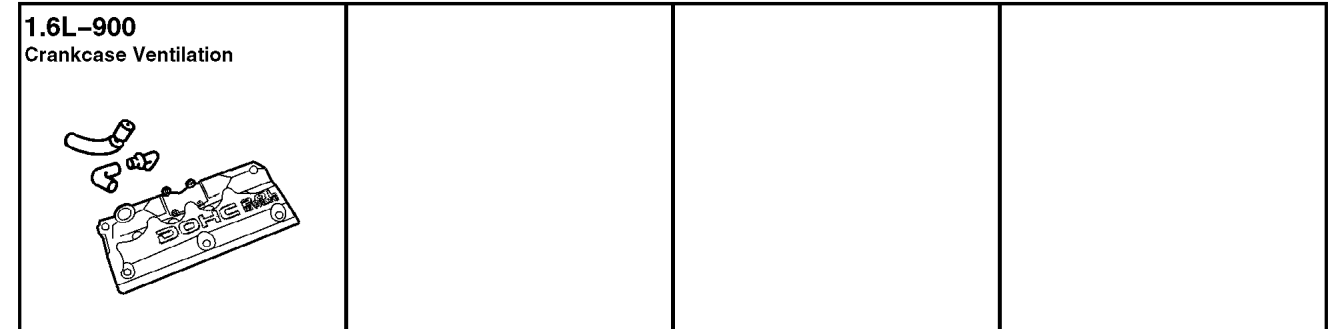
Group – 1.6L

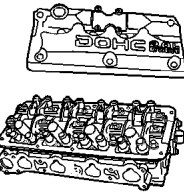
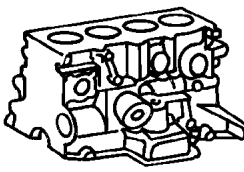
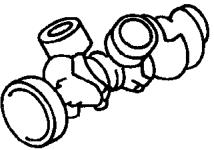
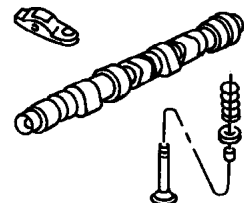
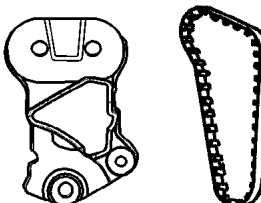
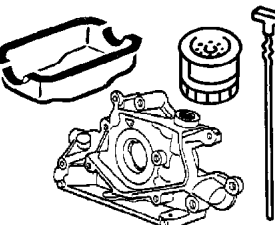
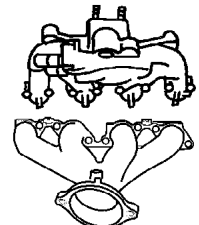
Engine 1.6L Four Cylinder



Group – 1.6L

Engine 1.6L Four Cylinder



<p>1.6L-100 Engine Identification</p> <table border="1"> <tr> <td>X Model Year</td> <td>X Manufacturing Plant</td> <td>XXXXX Component Code/Usage</td> <td>XXXX Month/Day</td> <td>XXXXXXXXXX Serial Code</td> </tr> <tr> <td>Last digit of model year</td> <td>Satiko S Tronton T Tokoo K</td> <td>Engine</td> <td></td> <td>Last 8 Digits of VIN</td> </tr> </table>	X Model Year	X Manufacturing Plant	XXXXX Component Code/Usage	XXXX Month/Day	XXXXXXXXXX Serial Code	Last digit of model year	Satiko S Tronton T Tokoo K	Engine		Last 8 Digits of VIN	<p>1.6L-200 Cylinder Head</p> 	<p>1.6L-300 Cylinder Block</p> 	<p>1.6L-400 Crankshaft, Piston and Drive Plate</p> 
X Model Year	X Manufacturing Plant	XXXXX Component Code/Usage	XXXX Month/Day	XXXXXXXXXX Serial Code									
Last digit of model year	Satiko S Tronton T Tokoo K	Engine		Last 8 Digits of VIN									
<p>1.6L-500 Camshafts & Valve</p> 	<p>1.6L-600 Timing Belt/Chain and Cover</p> 	<p>1.6L-700 Engine Oiling</p> 	<p>1.6L-800 Manifolds</p> 										

GROUP 1.6L - Engine 1.6L Four Cylinder

Illustration Title	Group-Fig. No.
Engine Identification	
I.D. Location 1.6L (EJD)	Fig. 1.6L-116
Cylinder Head	
Cylinder Head 1.6L (EJD)	Fig. 1.6L-216
Cylinder Block	
Cylinder Block 1.6L (EJD)	Fig. 1.6L-316
Crankshaft, Piston and Drive Plate	
Crankshaft, Piston, Driveplate 1.6L (EJD)	Fig. 1.6L-416
Camshafts & Valve	
Camshaft and Valves 1.6L (EJD)	Fig. 1.6L-516
Timing Belt/Chain and Cover	
Timing Chain and Cover 1.6L (EJD)	Fig. 1.6L-616
Engine Oiling	
Engine Oiling 1.6L (EJD)	Fig. 1.6L-716
Manifolds	
Manifolds 1.6L (EJD)	Fig. 1.6L-816
Crankcase Ventilation	
Crankcase Ventilation 1.6L (EJD)	Fig. 1.6L-916



I.D. Location 1.6L (EJD)
Figure 1.6L-116

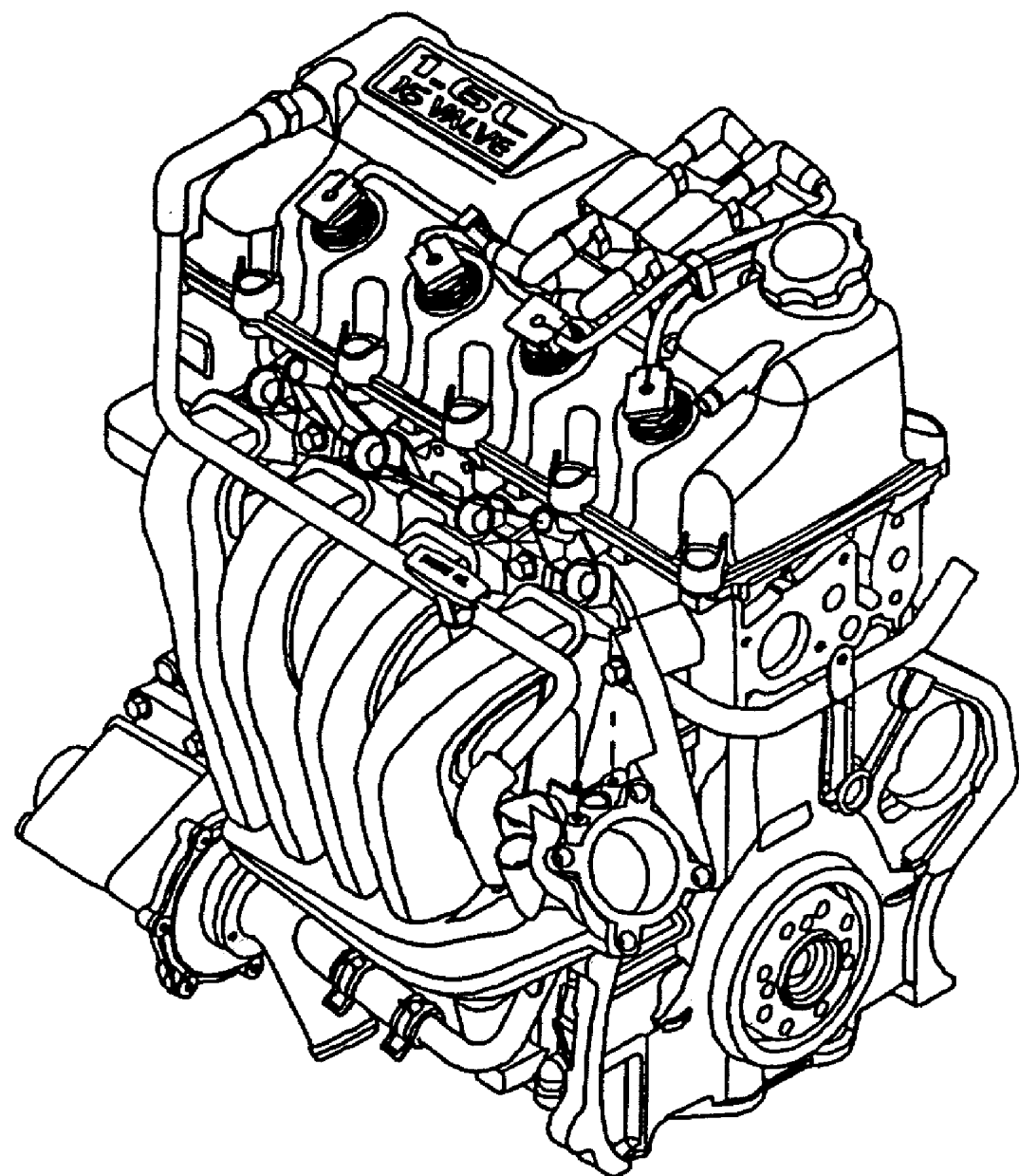
ITEM	PART NUMBER	QTY	LINE	ENGINE	TRANS	DESCRIPTION
------	-------------	-----	------	--------	-------	-------------

NOTE: Sales Code use block.

[EJD]=1.6L Engine use block.

-1

LABEL, Engine Identification, (NOT SERVICED)



DODGE - CHRYSLER NEON (PL)

SERIES	LINE	BODY	ENGINE	TRANSMISSION
L=Low Line	Z=Chrysler, RHD	41 = 4 Door,	ECB,EC0=2.0L 4 Cyl., 16V SMPI	DD5=5 Speed Manual
H=High Line	D=Dodge	104WB	ECH,EC0=2.0L 4 Cyl, 16V SOHC	DGC=3 Speed Automatic
	D=Chrysler		EJD,EJ0=1.6L 4 Cyl 16V, SOHC	DGL=4 Speed Automatic
	P=Plymouth		EBD,EB0=1.8L 4 Cyl 16V SEF	DG0=All Automatics
				DBB=All 5 Speed Manual

AR = Use as required - = Non illustrated part # = New this model year

May 2, 2002

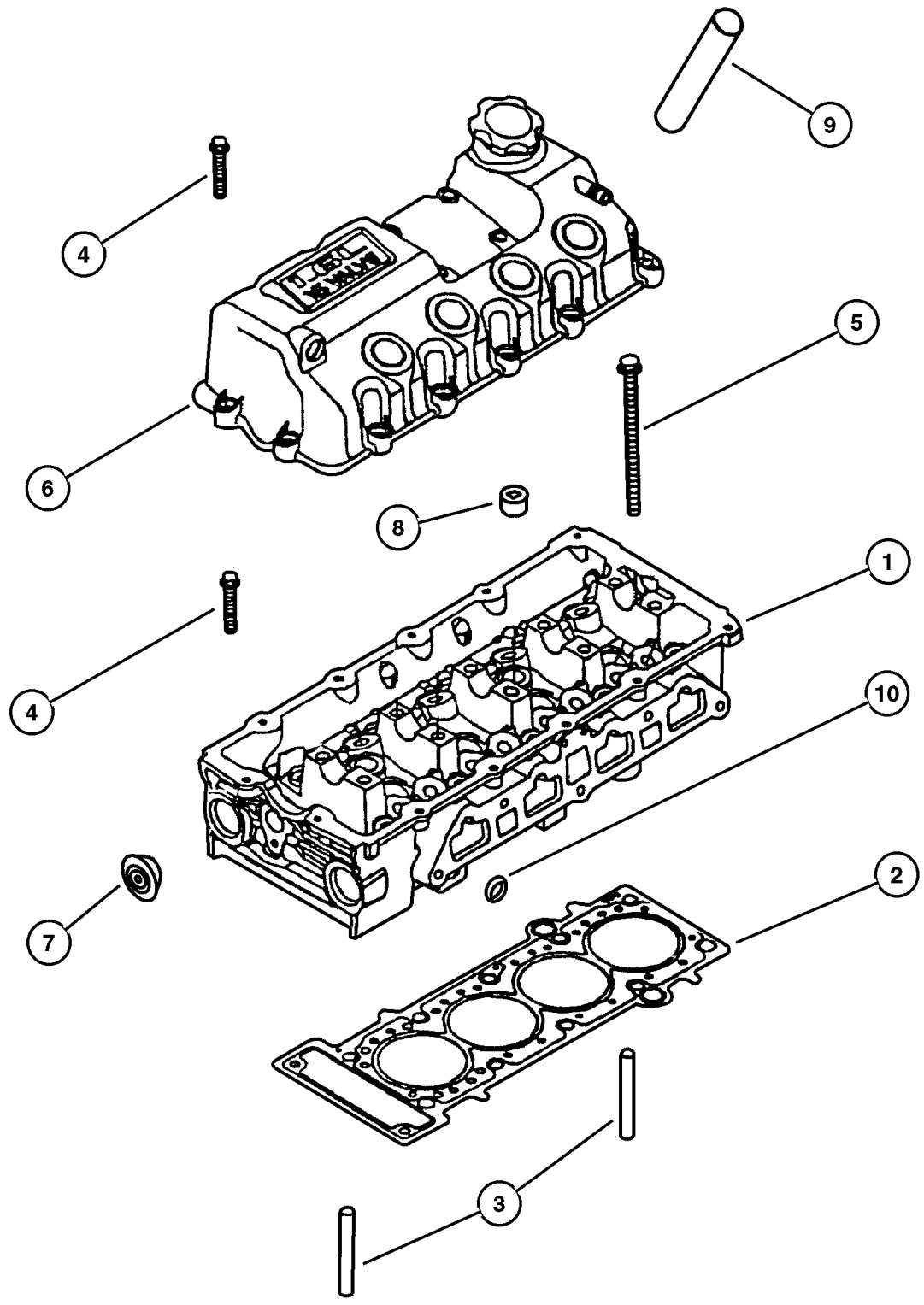
**Cylinder Head 1.6L (EJD)
Figure 1.6L-216**

ITEM	PART NUMBER	QTY	LINE	ENGINE	TRANS	DESCRIPTION
------	-------------	-----	------	--------	-------	-------------

NOTE: Sales Code use block.

[EJD]=1.6L Engine use block.

1	#4777 739AB	1		EJD		HEAD, Cylinder
2	#4693 083AA	1		EJD		GASKET, Cylinder Head
3	53010 533AA	2		EJD		DOWEL
4	#6101 940	2		EJD		SCREW
5	#6505 239AA	10		EJD		BOLT, Cylinder Head
6	#4777 796AD	1		EJD		COVER, Cylinder Head
7	#4693 124AA	2		EJD		PLUG
8						PLUG, Core, 3/4 , (NOT SERVICED)
9	#4777 794AA	4		EJD		TUBE, Spark Plug
10	#6036 346AA	2		EJD		PLUG, Pipe



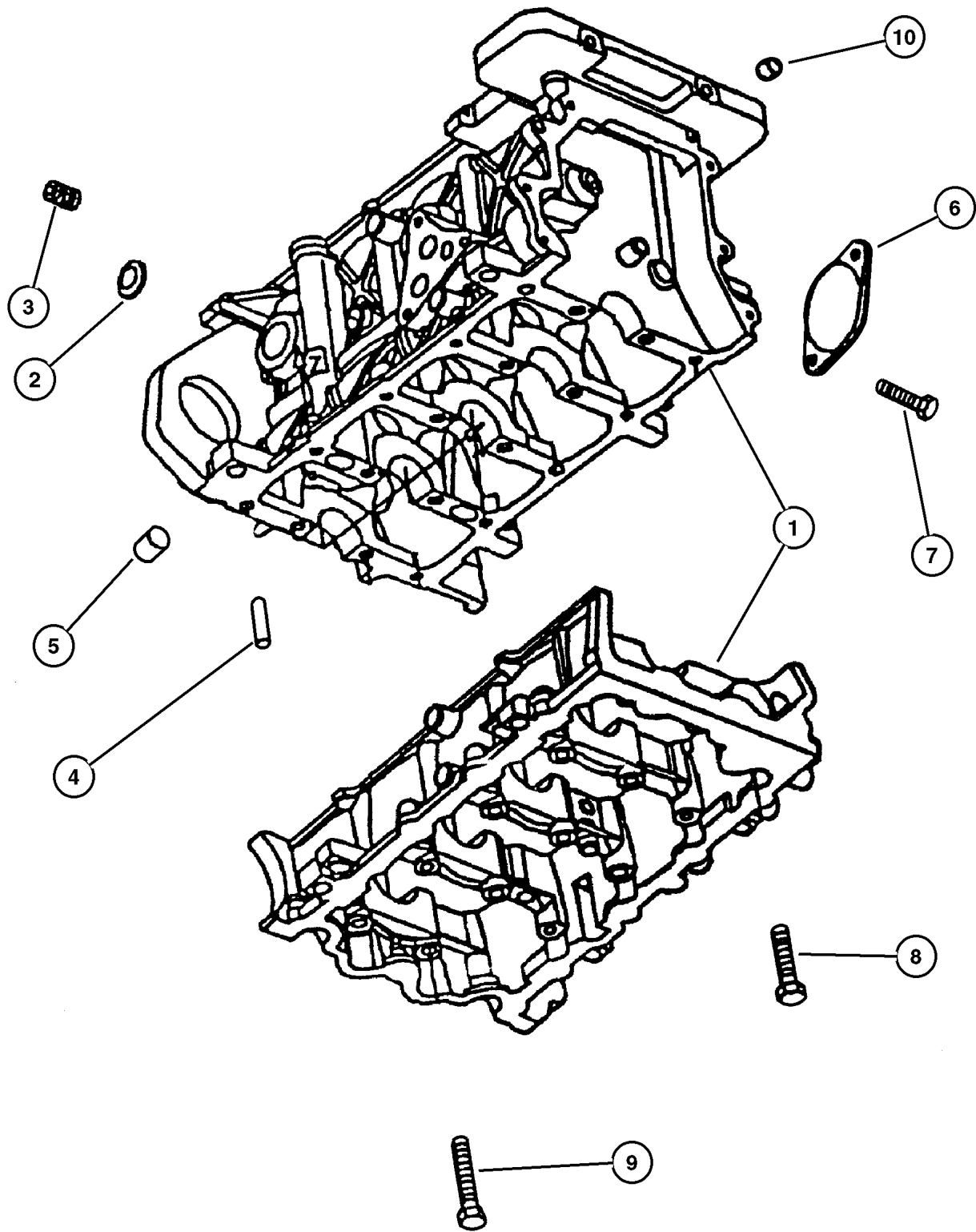
DODGE - CHRYSLER NEON (PL)				
SERIES	LINE	BODY	ENGINE	TRANSMISSION
L=Low Line	Z=Chrysler, RHD	41 = 4 Door,	ECB,EC0=2.0L 4 Cyl., 16V SMPI	DD5=5 Speed Manual
H=High Line	D=Dodge	104WB	ECH,EC0=2.0L 4 Cyl, 16V SOHC	DGC=3 Speed Automatic
	D=Chrysler		EJD,EJ0=1.6L 4 Cyl 16V, SOHC	DGL=4 Speed Automatic
	P=Plymouth		EBD,EB0=1.8L 4 Cyl 16V SEF	DG0=All Automatics
				DBB=All 5 Speed Manual

AR = Use as required - = Non illustrated part # = New this model year

May 2, 2002

**Cylinder Block 1.6L (EJD)
Figure 1.6L-316**

ITEM	PART NUMBER	QTY	LINE	ENGINE	TRANS	DESCRIPTION
NOTE: Sales Code use block. [EJD]=1.6L Engine use block.						
1	#5066 416AA	1		EJD		BLOCK, Short, Contains: Crank, Rods, Pistons, Rings, Pick Up Tube, Pan
2	6034 804	2		EJD		PLUG, Core, 1.39 Diameter
3						PLUG, Pipe, .250-18x.560, (NOT SERVICED)
4	4694 106	3		EJD		DOWEL, Engine Block To Bedplate
5	4556 018	2		EJD		PLUG, Cylinder Block Oil Hole
6	#4693 156AA	1		EJD		PLATE, Cylinder Block Core Hole
7	6501 714	2		EJD		SCREW AND WASHER, Hex Head, M6x1x18
8	#6505 763AA	7		EJD		BOLT
9	6100 945	10		EJD		BOLT, Hex Head, M10x1.50x75
10	4556 018	2		EJD		PLUG, Cylinder Block Oil Hole

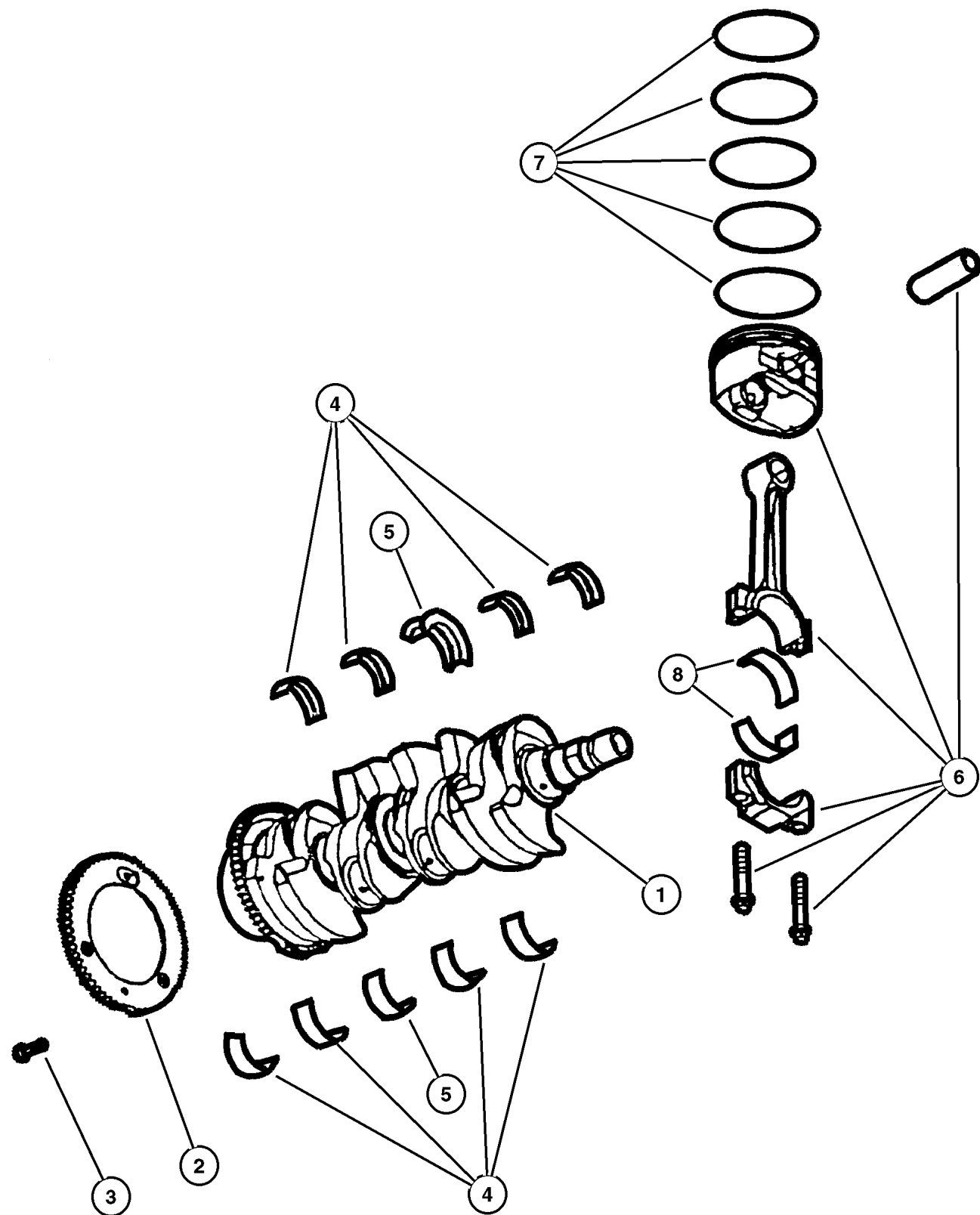


DODGE - CHRYSLER NEON (PL)				
SERIES	LINE	BODY	ENGINE	TRANSMISSION
L=Low Line	Z=Chrysler, RHD	41 = 4 Door,	ECB,EC0=2.0L 4 Cyl., 16V SMPI	DD5=5 Speed Manual
H=High Line	D=Dodge	104WB	ECH,EC0=2.0L 4 Cyl, 16V SOHC	DGC=3 Speed Automatic
	D=Chrysler		EJD,EJ0=1.6L 4 Cyl 16V, SOHC	DGL=4 Speed Automatic
	P=Plymouth		EBD,EB0=1.8L 4 Cyl 16V SEF	DG0=All Automatics
				DBB=All 5 Speed Manual

AR = Use as required - = Non illustrated part # = New this model year

May 2, 2002

**Crankshaft, Piston, Driveplate 1.6L (EJD)
Figure 1.6L-416**



ITEM	PART NUMBER	QTY	LINE	ENGINE	TRANS	DESCRIPTION
------	-------------	-----	------	--------	-------	-------------

NOTE: Sales Code use block.
[EJD]=1.6L Engine use block.

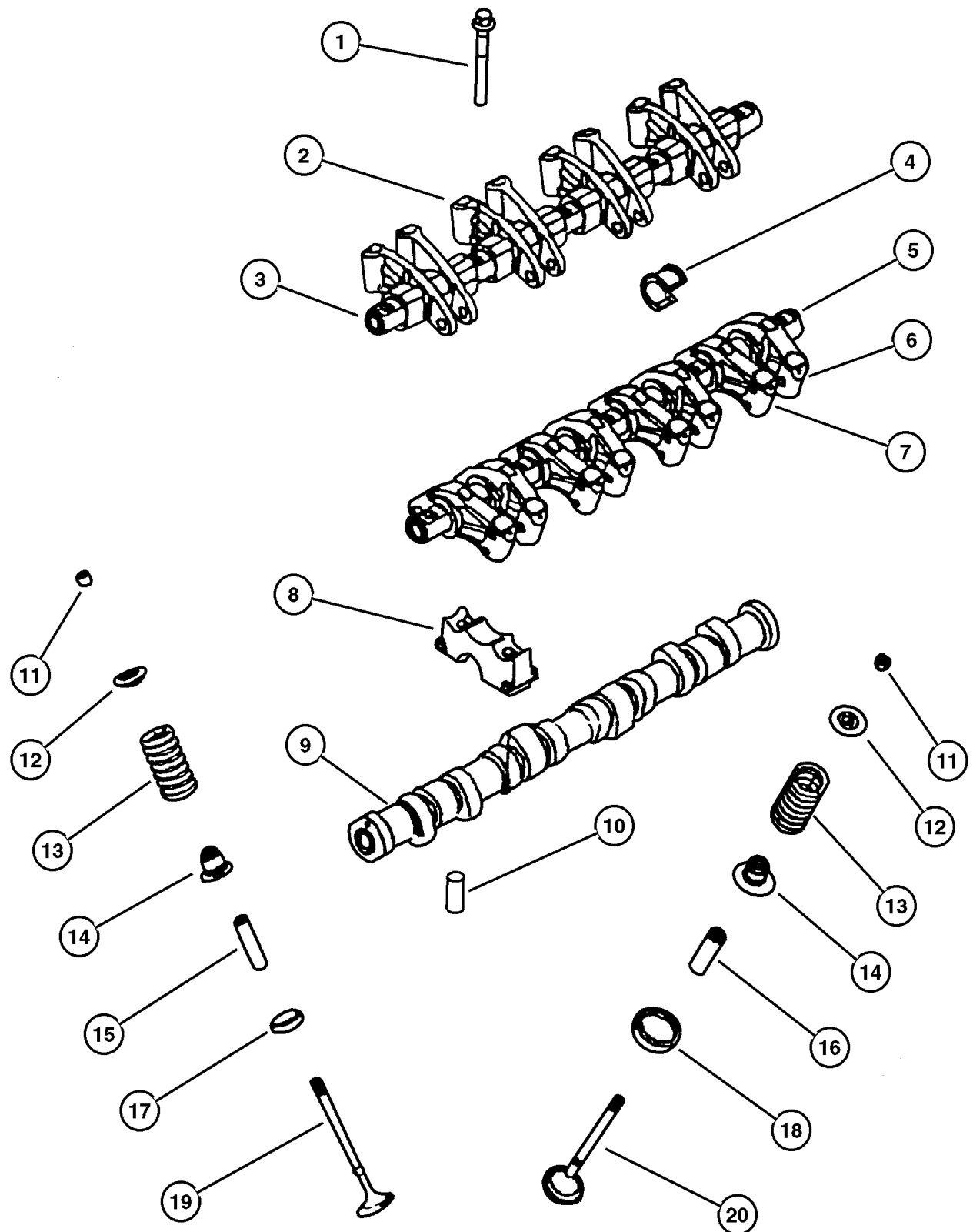
1	#4777 864AD	1		EJD		CRANKSHAFT
2	#4777 685AB	1		EJD		DISC, Crankshaft Position Indicator
3	#6505 673AA	3		EJD		SCREW
4	#5015 902AA	4		EJD		BEARING PACKAGE, Crankshaft, Standard
5	#5015 906AB	1		EJD		BEARING PACKAGE, Crankshaft Thrust, STD.
6	#5019 831AC	4		EJD		PISTON PIN AND ROD
7	#5019 834AA	1		EJD		RING PACKAGE, Piston
8	#5015 910AA	4		EJD		BEARING PACKAGE, Connecting Rod, Standard

DODGE - CHRYSLER NEON (PL)				
SERIES	LINE	BODY	ENGINE	TRANSMISSION
L=Low Line	Z=Chrysler, RHD	41 = 4 Door,	ECB,EC0=2.0L 4 Cyl., 16V SMPI	DD5=5 Speed Manual
H=High Line	D=Dodge	104WB	ECH,EC0=2.0L 4 Cyl, 16V SOHC	DGC=3 Speed Automatic
	D=Chrysler		EJD,EJ0=1.6L 4 Cyl 16V, SOHC	DGL=4 Speed Automatic
	P=Plymouth		EBD,EB0=1.8L 4 Cyl 16V SEF	DG0=All Automatics
				DBB=All 5 Speed Manual

AR = Use as required - = Non illustrated part # = New this model year

May 2, 2002

Camshaft and Valves 1.6L (EJD)
Figure 1.6L-516

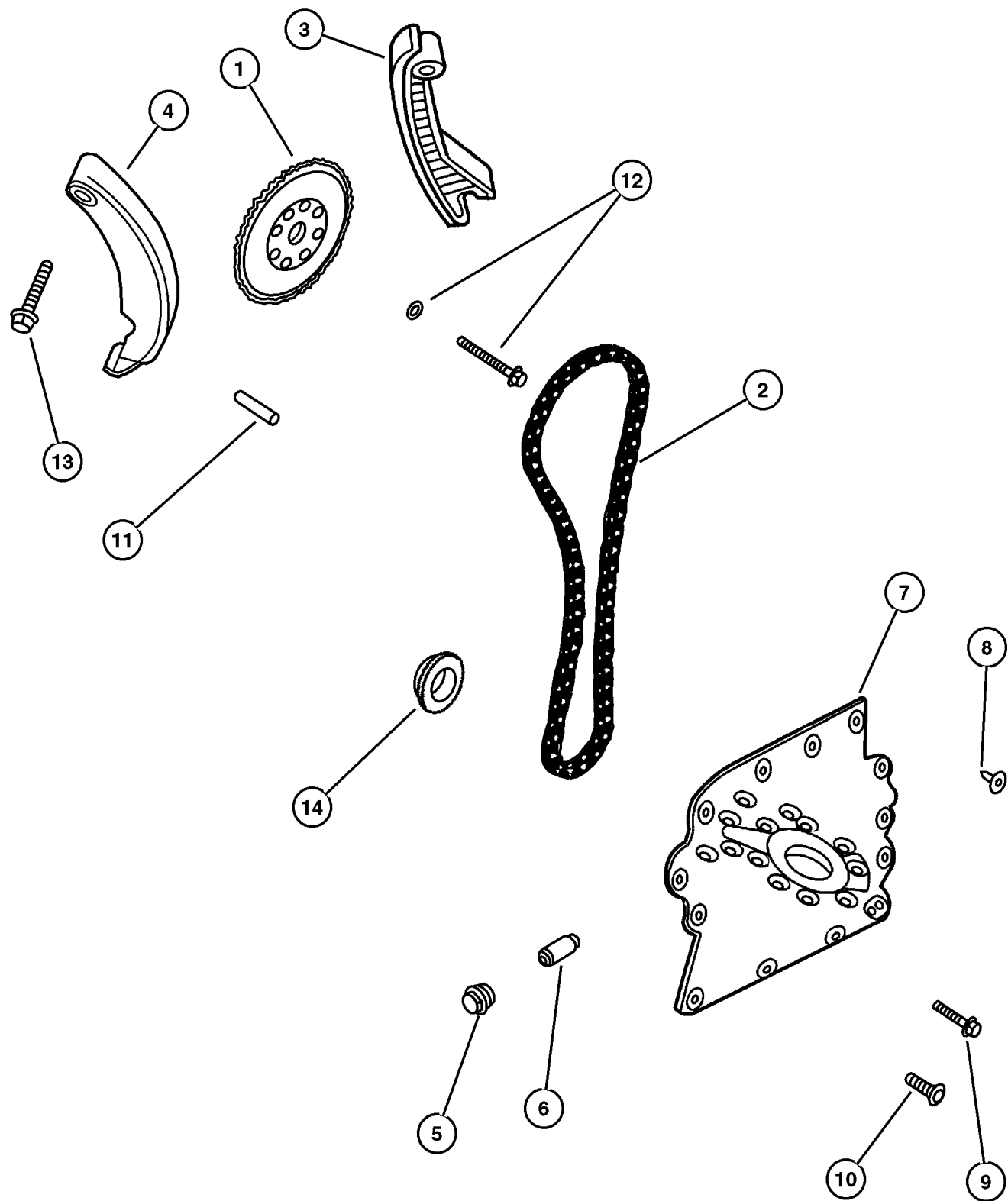


ITEM	PART NUMBER	QTY	LINE	ENGINE	TRANS	DESCRIPTION
NOTE: Sales Code use block.						
[EJD]=1.6L Engine use block.						
1	6501 689	10		EJD		BOLT, Hex Flange Head, M8x1.25x65
2	#4777 787AB	4		EJD		ROCKER ARM, Exhaust
3	#4777 785AA	1		EJD		SHAFT, Rocker Arm
4	#4777 783AA	4		EJD		SPACER, Rocker Shaft
5	#4777 776AA	1		EJD		SHAFT, Rocker Arm
6	#4777 778AA	4		EJD		ROCKER ARM, Intake
7	#4777 879AA	4		EJD		ROCKER ARM, Intake
8						CAP, Rocker Shaft, Serviced in Cyl Head, (NOT SERVICED)
9	#4693 122AA	1		EJD		CAMSHAFT
10						DOWEL, Camshaft Retainer, Serviced in Cyl Head, (NOT SERVICED)
11	4777 050AB	32		EJD		LOCK, Valve Spring Retainer
12	#4777 774AA	16		EJD		RETAINER, Valve Spring
13	#4777 773AA	16		EJD		SPRING, Valve
14	4663 904	16		EJD		SEAL, Valve Guide
15						GUIDE, Exhaust Valve, 0.05mm Oversize, Serviced in Cyl Head, (NOT SERVICED)
16						GUIDE, Intake Valve, 0.05mm Oversize, Serviced in Cyl Head, (NOT SERVICED)
17						SEAT, Exhaust Valve, Serviced in Cyl Head, (NOT SERVICED)
18						SEAT, Intake Valve, Serviced in Cyl Head, (NOT SERVICED)
19	#4777 772AB	8		EJD		VALVE, Exhaust, Standard
20	#4777 770AA	8		EJD		VALVE, Intake, Standard

DODGE - CHRYSLER NEON (PL)				
SERIES	LINE	BODY	ENGINE	TRANSMISSION
L=Low Line	Z=Chrysler, RHD	41 = 4 Door,	ECB,EC0=2.0L 4 Cyl., 16V SMPI	DD5=5 Speed Manual
H=High Line	D=Dodge	104WB	ECH,EC0=2.0L 4 Cyl, 16V SOHC	DGC=3 Speed Automatic
	D=Chrysler		EJD,EJ0=1.6L 4 Cyl 16V, SOHC	DGL=4 Speed Automatic
	P=Plymouth		EBD,EB0=1.8L 4 Cyl 16V SEF	DG0=All Automatics
				DBB=All 5 Speed Manual

AR = Use as required - = Non illustrated part # = New this model year

Timing Chain and Cover 1.6L (EJD)
Figure 1.6L-616



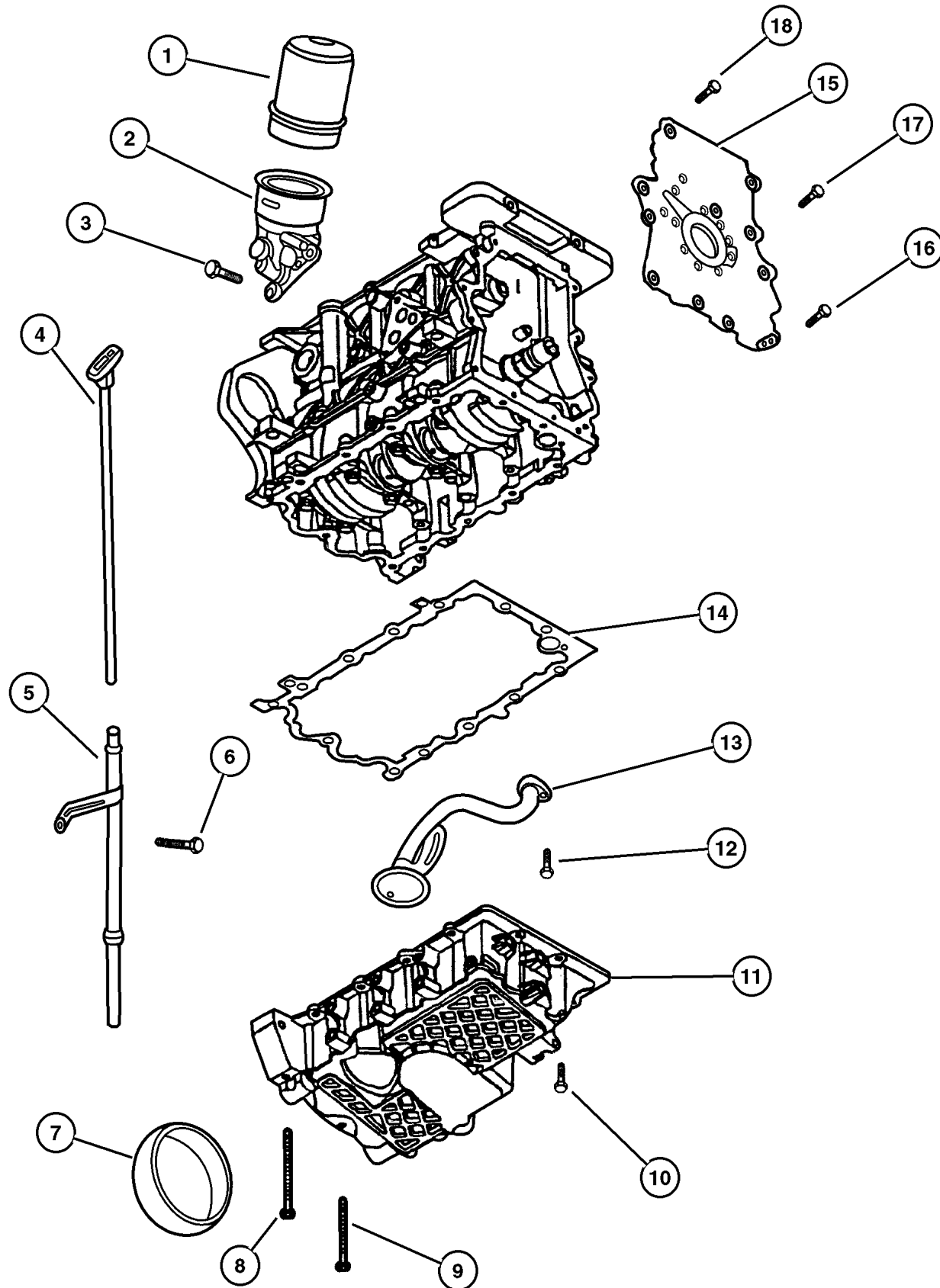
ITEM	PART NUMBER	QTY	LINE	ENGINE	TRANS	DESCRIPTION
NOTE: Sales Code use block.						
[EJD]=1.6L Engine use block.						
1	#4777 736AA	1		EJD		SPROCKET, Camshaft
2	#4777 699AA	1		EJD		CHAIN, Timing
3	#4777 707AA	1		EJD		GUIDE, Timing Chain
4	#4777 710AA	1		EJD		GUIDE, Timing Chain
5	#4693 110AB	1		EJD		PLUG
6	#4693 261AB	1		EJD		TENSIONER, Belt
7	#4777 836AA	1		EJD		COVER, Timing Case
8	#6505 690AA	1		EJD		SCREW
9	6102 001	8		EJD		BOLT AND WASHER, M6x12
10	#6506 062AA	1		EJD		SCREW
11	#6505 758AA	1		EJD		PIN
12	#6506 197AA	1		EJD		SCREW
13	6101 614	1				SCREW AND WASHER, Hex Head, M8x1.25x45
14	#4777 694AA	1		EJD		SPROCKET, Crankshaft

DODGE - CHRYSLER NEON (PL)				
SERIES	LINE	BODY	ENGINE	TRANSMISSION
L=Low Line	Z=Chrysler, RHD	41 = 4 Door,	ECB,EC0=2.0L 4 Cyl., 16V SMPI	DD5=5 Speed Manual
H=High Line	D=Dodge	104WB	ECH,EC0=2.0L 4 Cyl, 16V SOHC	DGC=3 Speed Automatic
	D=Chrysler		EJD,EJ0=1.6L 4 Cyl 16V, SOHC	DGL=4 Speed Automatic
	P=Plymouth		EBD,EB0=1.8L 4 Cyl 16V SEF	DG0=All Automatics
				DBB=All 5 Speed Manual

AR = Use as required - = Non illustrated part # = New this model year

May 2, 2002

Engine Oiling 1.6L (EJD)
Figure 1.6L-716



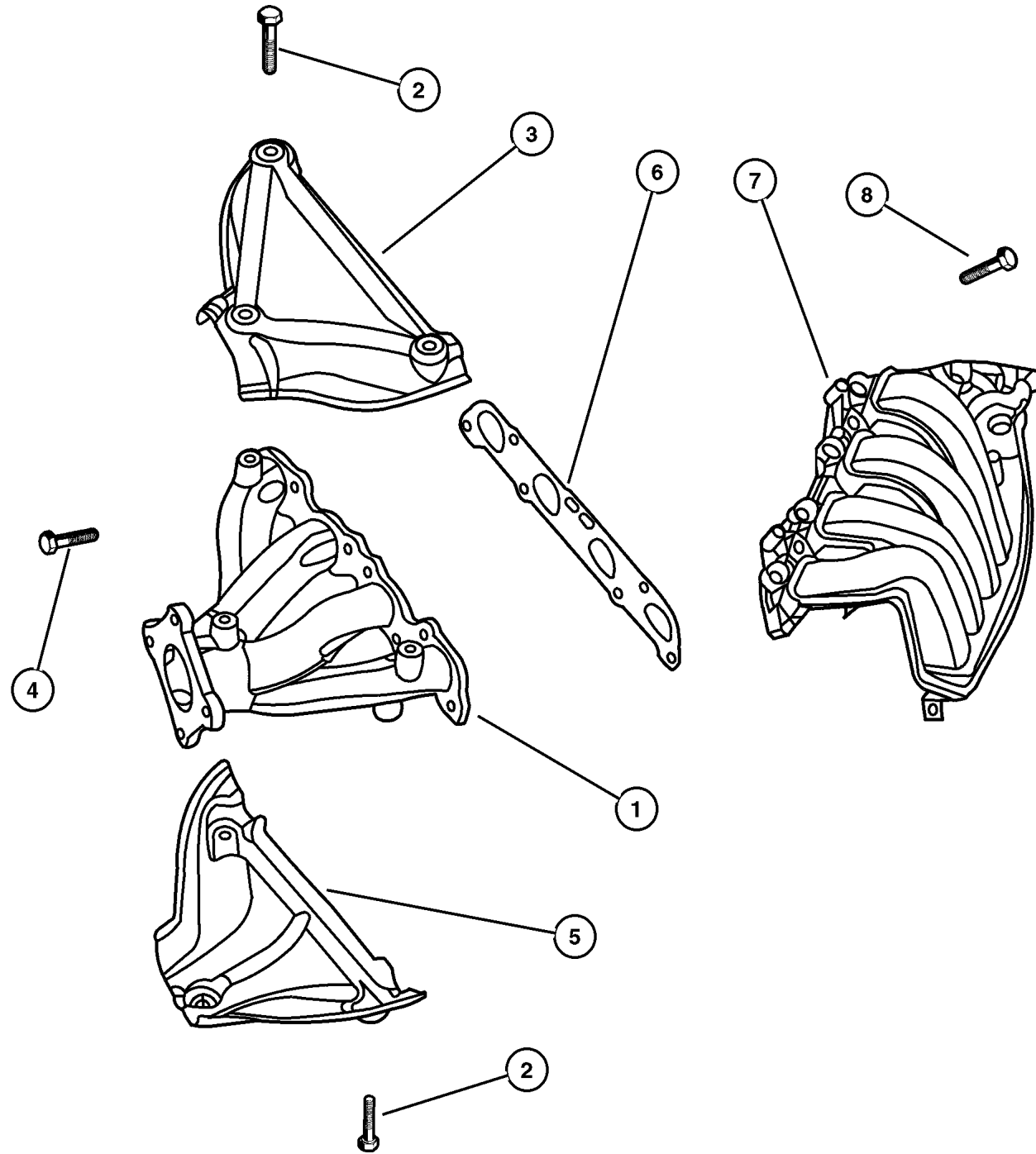
ITEM	PART NUMBER	QTY	LINE	ENGINE	TRANS	DESCRIPTION
NOTE: Sales Code use block.						
[EJD]=1.6L Engine use block.						
1	#4693 140AA	1		EJD		CAP, Oil Filter Adapter
2	#4777 667AA	1		EJD		ADAPTER, Oil Filter
3	6101 611	3		EJD		SCREW AND WASHER, Hex Head, M8x1.25x25
4	#4777 856AA	1		EJD		INDICATOR, Engine Oil Level
5	#4777 855AA	1		EJD		TUBE, Engine Oil Indicator
6	6101 496	1		EJD		SCREW
7	4621 939AB	1		EJD		SEAL, Rear Main Crankshaft
8	#6506 401AA	1		EJD		SCREW AND WASHER, Hex Head, M6 x 1.0 x 16.0
9	#6506 402AA	1		EJD		SCREW AND WASHER, Hex Head, M6 x 1.0 x 16.0
10	#6506 403AA	11		EJD		SCREW AND WASHER, Hex Head, M6 x 1.0 x 16.0
11	#4777 833AB	1		EJD		PAN, Engine Oil
12	6101 010	2		EJD		SCREW AND WASHER, Hex Head, M6x1x18
13	#4693 165AA	1		EJD		PICKUP, Engine Oil
14	#4777 835AA	1		EJD		GASKET, Oil Pan
15	#4777 836AA	1		EJD		COVER, Timing Case
16	#6506 062AA	1		EJD		SCREW
17	6102 001	8		EJD		BOLT AND WASHER, M6x12
18	#6505 690AA	1		EJD		SCREW

DODGE - CHRYSLER NEON (PL)				
SERIES	LINE	BODY	ENGINE	TRANSMISSION
L=Low Line	Z=Chrysler, RHD	41 = 4 Door,	ECB,EC0=2.0L 4 Cyl., 16V SMPI	DD5=5 Speed Manual
H=High Line	D=Dodge	104WB	ECH,EC0=2.0L 4 Cyl, 16V SOHC	DGC=3 Speed Automatic
	D=Chrysler		EJD,EJ0=1.6L 4 Cyl 16V, SOHC	DGL=4 Speed Automatic
	P=Plymouth		EBD,EB0=1.8L 4 Cyl 16V SEF	DG0=All Automatics
				DBB=All 5 Speed Manual

AR = Use as required - = Non illustrated part # = New this model year

May 2, 2002

Manifolds 1.6L (EJD)
Figure 1.6L-816



ITEM	PART NUMBER	QTY	LINE	ENGINE	TRANS	DESCRIPTION
------	-------------	-----	------	--------	-------	-------------

NOTE: Sales Code use block.

[EJD]=1.6L Engine use block.

1	#4693 133AD	1		EJD		MANIFOLD, Exhaust
2	#6506 461AA	5		EJD		SCREW
3	#4693 051AA	1		EJD		SHIELD, Exhaust Manifold
4	6503 131	8		EJD		BOLT, Hex Flange Head, M8x1.25x30
5	#4693 052AA	1		EJD		SHIELD, Exhaust Manifold
6	#4777 852AB	1		EJD		GASKET, Exhaust Manifold
7	#4693 207AA	1		EJD		MANIFOLD, Intake, Without EGR Valve
8	#6506 462AA	5		EJD		BOLT

DODGE - CHRYSLER NEON (PL)				
SERIES	LINE	BODY	ENGINE	TRANSMISSION
L=Low Line	Z=Chrysler, RHD	41 = 4 Door,	ECB,EC0=2.0L 4 Cyl., 16V SMPI	DD5=5 Speed Manual
H=High Line	D=Dodge	104WB	ECH,EC0=2.0L 4 Cyl, 16V SOHC	DGC=3 Speed Automatic
	D=Chrysler		EJD,EJ0=1.6L 4 Cyl 16V, SOHC	DGL=4 Speed Automatic
	P=Plymouth		EBD,EB0=1.8L 4 Cyl 16V SEF	DG0=All Automatics
				DBB=All 5 Speed Manual

AR = Use as required - = Non illustrated part # = New this model year

May 2, 2002

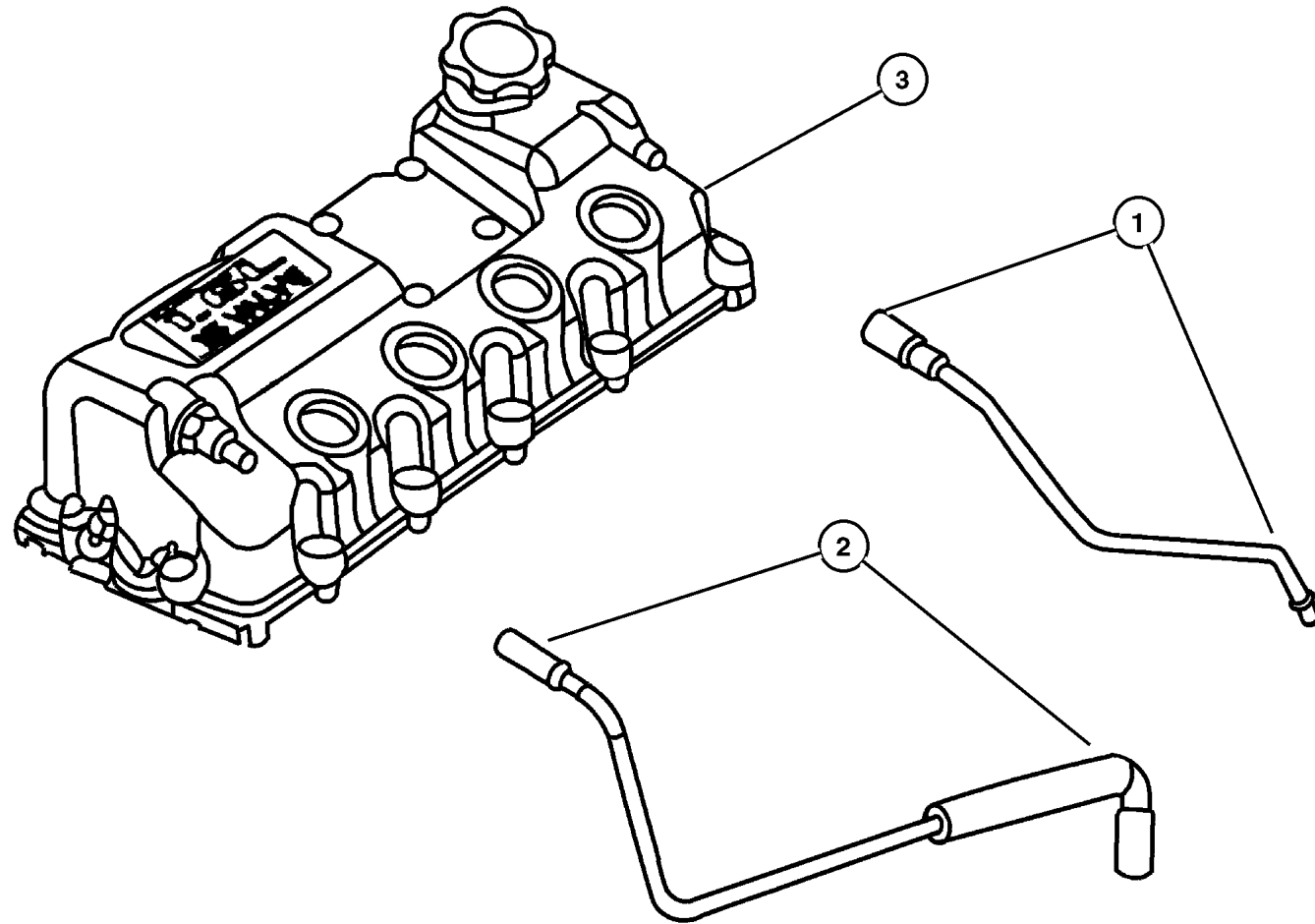
**Crankcase Ventilation 1.6L (EJD)
Figure 1.6L-916**

ITEM	PART NUMBER	QTY	LINE	ENGINE	TRANS	DESCRIPTION
------	-------------	-----	------	--------	-------	-------------

NOTE: Sales Code use block.

[EJD]=1.6L Engine use block.

1	#4693 154AC	1		EJD		HOSE, Make Up Air
2	#4693 152AB	1		EJD		HOSE, Crankcase Vent
3	#4777 796AD	1		EJD		COVER, Cylinder Head



DODGE - CHRYSLER NEON (PL)				
SERIES	LINE	BODY	ENGINE	TRANSMISSION
L=Low Line	Z=Chrysler, RHD	41 = 4 Door,	ECB,EC0=2.0L 4 Cyl., 16V SMPI	DD5=5 Speed Manual
H=High Line	D=Dodge	104WB	ECH,EC0=2.0L 4 Cyl, 16V SOHC	DGC=3 Speed Automatic
	D=Chrysler		EJD,EJ0=1.6L 4 Cyl 16V, SOHC	DGL=4 Speed Automatic
	P=Plymouth		EBD,EB0=1.8L 4 Cyl 16V SEF	DG0=All Automatics
				DBB=All 5 Speed Manual

AR = Use as required - = Non illustrated part # = New this model year

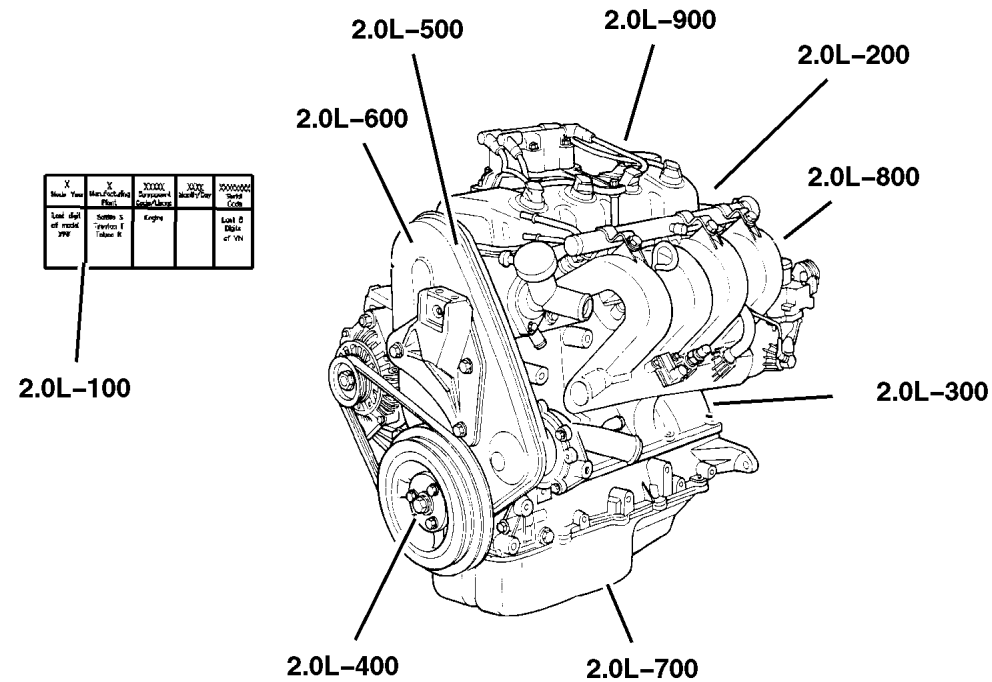
May 2, 2002

Group – 2.0L

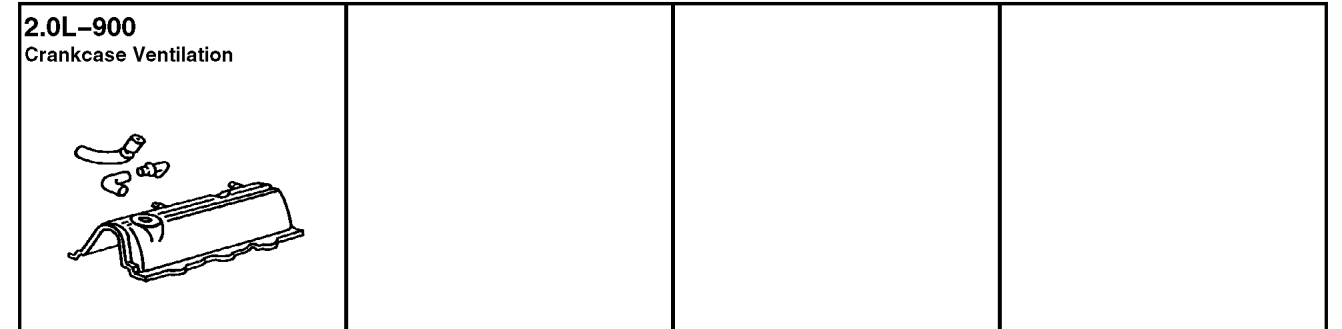
Engine 2.0L Four Cylinder

Group – 2.0L

Engine 2.0L Four Cylinder



X	X	XXXX	XXXX	XXXXXXXX
Model Year	Manufacturing Plant	Component Code/Usage	Month/Day	Serial Code
Last digit of model year	Satellite S Trenton T Tokyo K	Engine 3.3L - 3.8L Usage Pass Car PC Truck T		Last 8 Digits of VIN



<p>2.0L-100 Engine Identification</p> <table border="1"> <tr> <td>X</td> <td>X</td> <td>XXXX</td> <td>XXXX</td> <td>XXXXXXXX</td> </tr> <tr> <td>Model Year</td> <td>Manufacturing Plant</td> <td>Component Code/Usage</td> <td>Month/Day</td> <td>Serial Code</td> </tr> <tr> <td>Last digit of model year</td> <td>Satellite S Trenton T Tokyo K</td> <td>Engine 3.3L - 3.8L Usage Pass Car PC Truck T</td> <td></td> <td>Last 8 Digits of VIN</td> </tr> </table>	X	X	XXXX	XXXX	XXXXXXXX	Model Year	Manufacturing Plant	Component Code/Usage	Month/Day	Serial Code	Last digit of model year	Satellite S Trenton T Tokyo K	Engine 3.3L - 3.8L Usage Pass Car PC Truck T		Last 8 Digits of VIN	<p>2.0L-200 Cylinder Head</p>	<p>2.0L-300 Cylinder Block</p>	<p>2.0L-400 Crankshaft, Piston, and Drive Plate</p>
X	X	XXXX	XXXX	XXXXXXXX														
Model Year	Manufacturing Plant	Component Code/Usage	Month/Day	Serial Code														
Last digit of model year	Satellite S Trenton T Tokyo K	Engine 3.3L - 3.8L Usage Pass Car PC Truck T		Last 8 Digits of VIN														
<p>2.0L-500 Camshafts and Valves</p>	<p>2.0L-600 Timing Belt and Cover</p>	<p>2.0L-700 Engine Oiling</p>	<p>2.0L-800 Manifolds</p>															

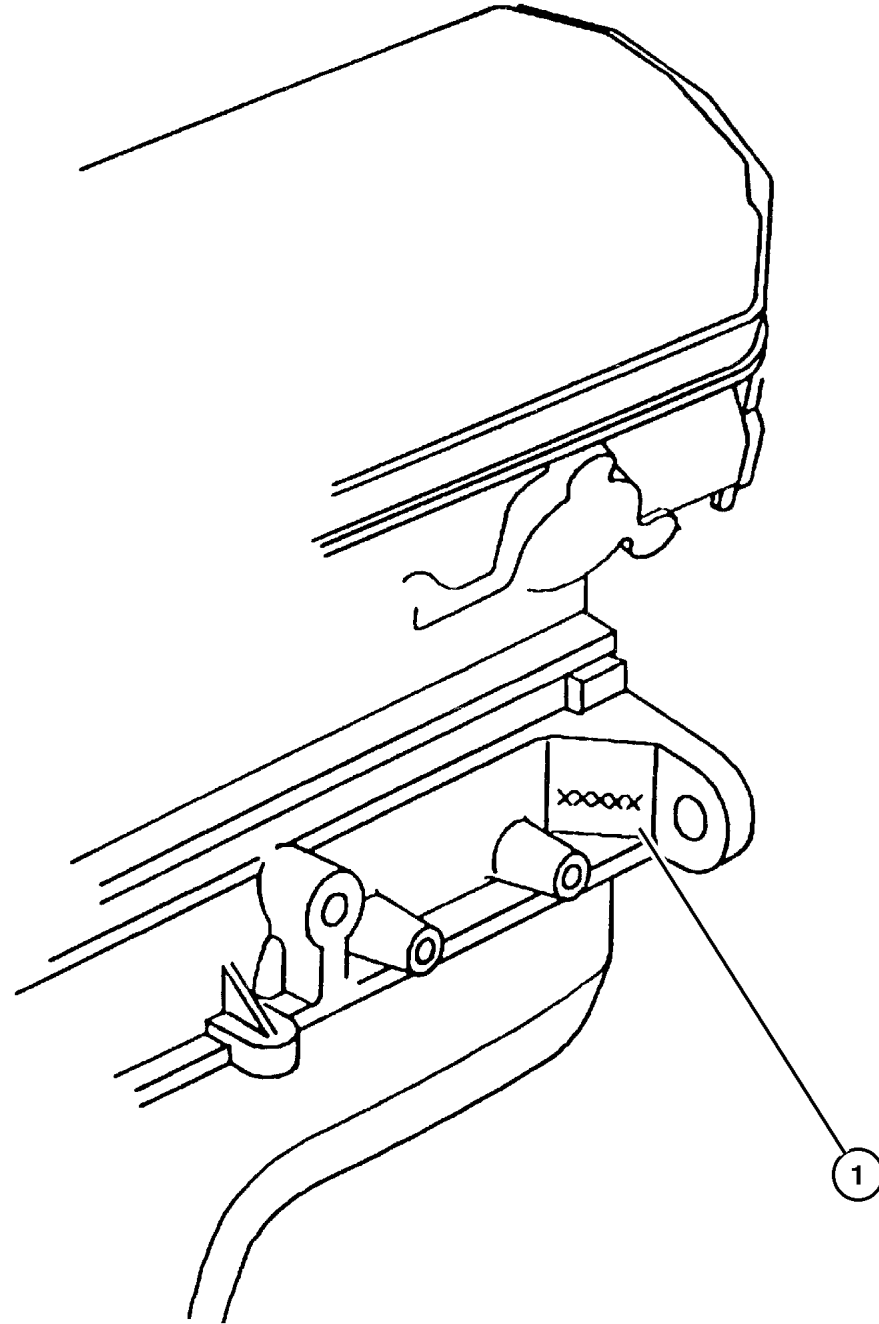


GROUP 2.0L - Engine 2.0L Four Cylinder

Illustration Title	Group-Fig. No.
Engine Identification	
I.D. Locator 2.0L	Fig. 2.0L-111
Cylinder Head	
Cylinder Head 2.0L [ECB],[ECH]	Fig. 2.0L-211
Cylinder Block	
Cylinder Block 2.0L [ECB],[ECH]	Fig. 2.0L-311
Crankshaft, Piston, and Drive Plate	
Crankshaft, Piston, Driveplate 2.0L [ECB],[ECH]	Fig. 2.0L-411
Camshafts and Valves	
Camshaft and Valves 2.0L [ECB],[ECH]	Fig. 2.0L-511
Timing Belt and Cover	
Timing Belt and Cover 2.0L [ECB],[ECH]	Fig. 2.0L-611
Engine Oiling	
Engine Oiling 2.0L [ECB],[ECH]	Fig. 2.0L-711
Manifolds	
Manifolds, 2.0L [ECB],[ECH]	Fig. 2.0L-810
Crankcase Ventilation	
Crankcase Ventilation 2.0L [ECB],[ECH]	Fig. 2.0L-911

I.D. Locator 2.0L
Figure 2.0L-111

ITEM	PART NUMBER	QTY	LINE	ENGINE	TRANS	DESCRIPTION
Engine I.D. is located on the left bank at the rear of the block, just below the head. use block.						
NOTE: Sales Codes use block.						
[ECB] = 2.0L 4 Cylinder SOHC 16V SMPI Engine use block.						
[ECH] = 2.0L 4 Cylinder SOHC 16V Hi-Performance Engine use block.						
1						LABEL, Engine Identification, (NOT SERVICED)

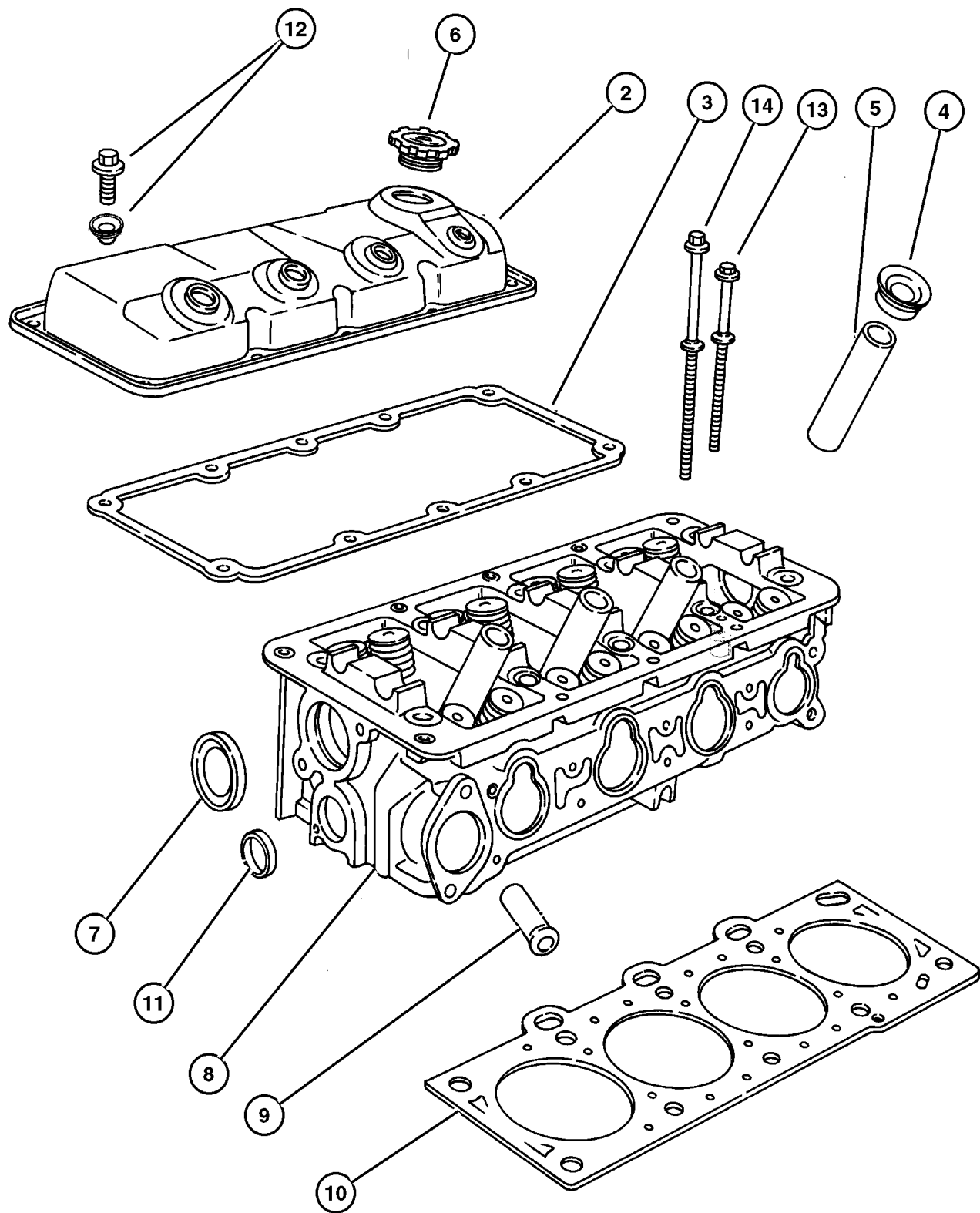


DODGE - CHRYSLER NEON (PL)				
SERIES	LINE	BODY	ENGINE	TRANSMISSION
L=Low Line	Z=Chrysler, RHD	41 = 4 Door,	ECB,EC0=2.0L 4 Cyl., 16V SMPI	DD5=5 Speed Manual
H=High Line	D=Dodge	104WB	ECH,EC0=2.0L 4 Cyl, 16V SOHC	DGC=3 Speed Automatic
	D=Chrysler		EJD,EJ0=1.6L 4 Cyl 16V, SOHC	DGL=4 Speed Automatic
	P=Plymouth		EBD,EB0=1.8L 4 Cyl 16V SEF	DG0=All Automatics
				DBB=All 5 Speed Manual

AR = Use as required - = Non illustrated part # = New this model year

May 2, 2002

**Cylinder Head 2.0L [ECB],[ECH]
Figure 2.0L-211**



ITEM	PART NUMBER	QTY	LINE	ENGINE	TRANS	DESCRIPTION
NOTE: Sales Codes use block. [ECB]=2.0L Engine use block. [ECH]=2.0L R/T Engine use block.						
-1						GASKET PACKAGE, Engine Upper
	5014 556AC	1		ECB		
	#5018 789AA	1		ECH		
2						COVER, Cylinder Head
	4777 487AC	1		ECB		
	#4884 293AA	1		ECH		
3						GASKET, Cylinder Cover
	4777 626AA	1		ECB		
		1		ECH		
4						SEAL, Spark Plug Tube
	4777 042AB	4		ECB		
		4		ECH		
5						TUBE, Spark Plug
	4648 604	4		ECB		
		4		ECH		
6						CAP, Oil Filler
	4777 536	1		ECB		
		1		ECH		
7						SEAL, Camshaft
	4777 086	1		ECB		
		1		ECH		
8						HEAD, Cylinder
	4667 993AC	1		ECB		
	#4884 055AA	1		ECH		
	#4667 993AF	1		ECB		Without [EGR] Port
9						NIPPLE, Heater Return
	4621 653	1		ECB		
		1		ECH		
10						GASKET PACKAGE, Cylinder Head
	5014 127AC	1		ECB		
		1		ECH		
11						PLUG, Core, 1.25 Diameter
	4556 020	2		ECB		
		2		ECH		
12						ISOLATOR, Cylinder Head Cover, Grommet And Bolt
	4777 625AA	10		ECB		
		10		ECH		
13						BOLT, Cylinder Head
	6503 561	4		ECB		

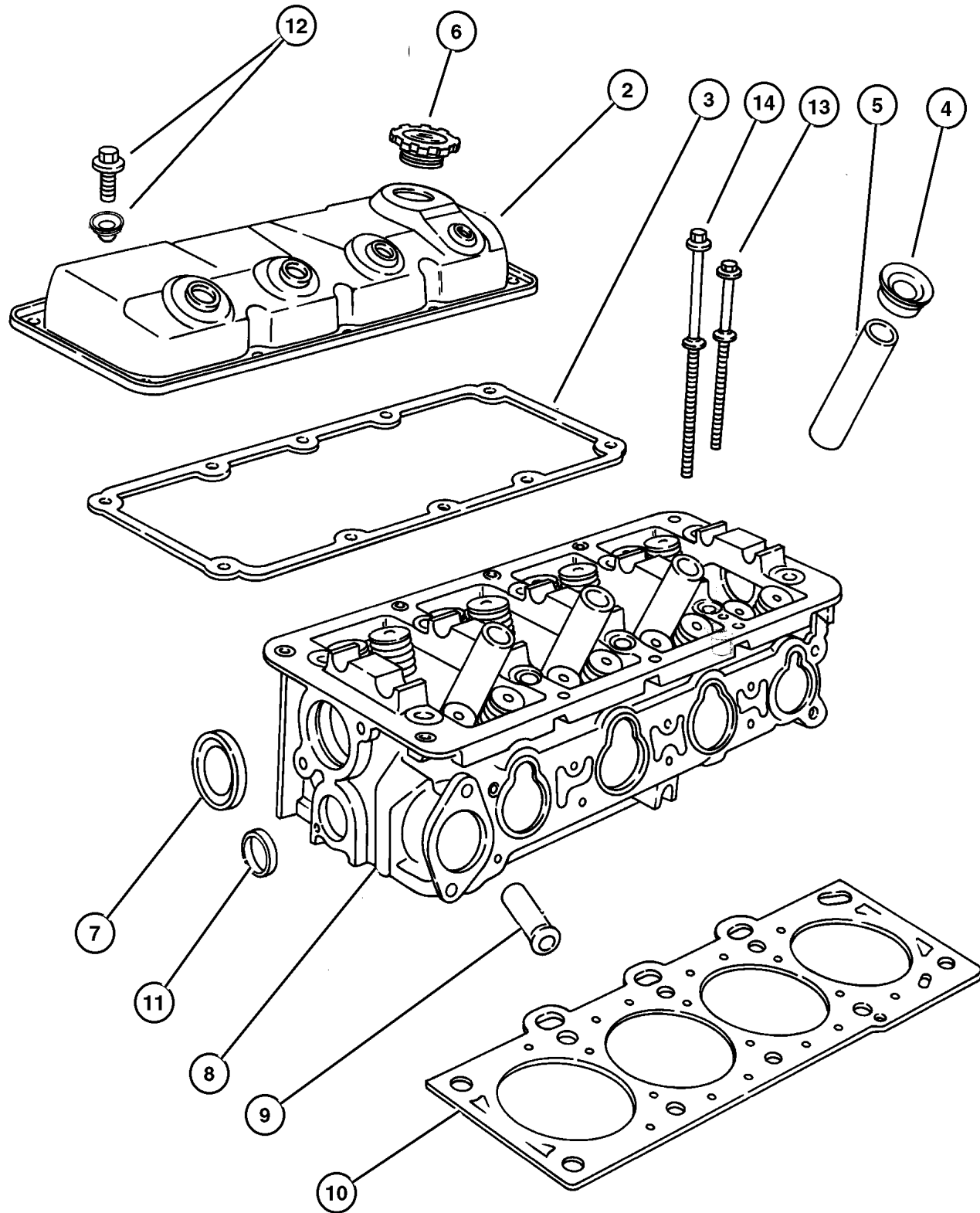
DODGE - CHRYSLER NEON (PL)

SERIES	LINE	BODY	ENGINE	TRANSMISSION
L=Low Line	Z=Chrysler, RHD	41 = 4 Door,	ECB,EC0=2.0L 4 Cyl., 16V SMPI	DD5=5 Speed Manual
H=High Line	D=Dodge	104WB	ECH,EC0=2.0L 4 Cyl, 16V SOHC	DGC=3 Speed Automatic
	D=Chrysler		EJD,EJ0=1.6L 4 Cyl 16V, SOHC	DGL=4 Speed Automatic
	P=Plymouth		EBD,EB0=1.8L 4 Cyl 16V SEF	DG0=All Automatics
				DBB=All 5 Speed Manual

AR = Use as required - = Non illustrated part # = New this model year

May 2, 2002

**Cylinder Head 2.0L [ECB],[ECH]
Figure 2.0L-211**



ITEM	PART NUMBER	QTY	LINE	ENGINE	TRANS	DESCRIPTION
		4		ECH		
14	6503 562	6		ECB		BOLT, Cylinder Head
		6		ECH		
-15	4591 227	1		ECB		COVER, EGR Port
		1		ECH		
-16	4663 247	1		ECB		GASKET, EGR Valve
		1		ECH		
-17	6501 648	2		ECB		SCREW, Hex Flange Head, M8x1.25x25.00
		2		ECH		

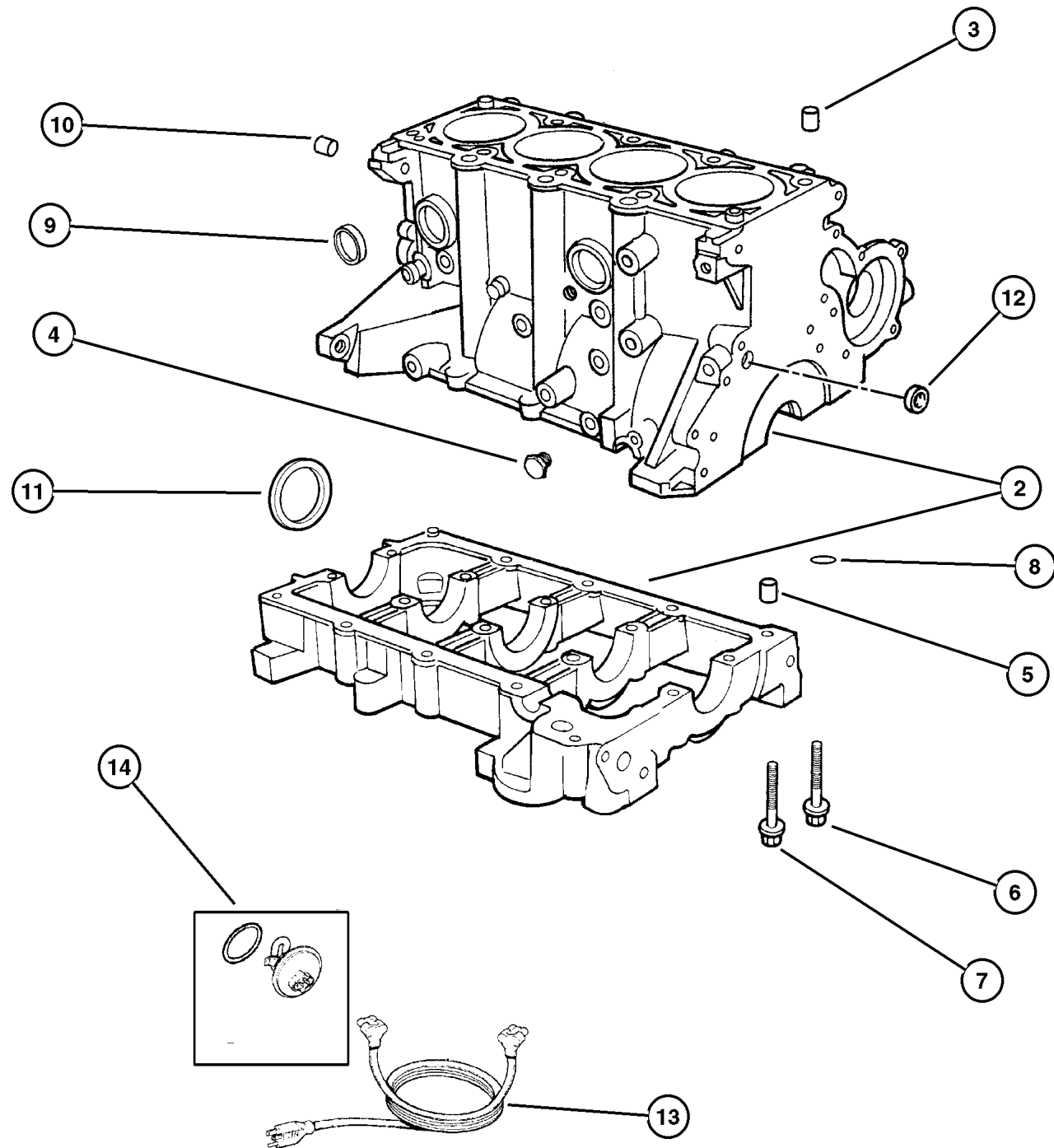
DODGE - CHRYSLER NEON (PL)

SERIES	LINE	BODY	ENGINE	TRANSMISSION
L=Low Line	Z=Chrysler, RHD	41 = 4 Door,	ECB,EC0=2.0L 4 Cyl., 16V SMPI	DD5=5 Speed Manual
H=High Line	D=Dodge	104WB	ECH,EC0=2.0L 4 Cyl, 16V SOHC	DGC=3 Speed Automatic
	D=Chrysler		EJD,EJ0=1.6L 4 Cyl 16V, SOHC	DGL=4 Speed Automatic
	P=Plymouth		EBD,EB0=1.8L 4 Cyl 16V SEF	DG0=All Automatics
				DBB=All 5 Speed Manual

AR = Use as required - = Non illustrated part # = New this model year

May 2, 2002

**Cylinder Block 2.0L [ECB],[ECH]
Figure 2.0L-311**



ITEM	PART NUMBER	QTY	LINE	ENGINE	TRANS	DESCRIPTION
NOTE: Sales Codes use block. [ECB]=2.0L Engine use block. [ECH]=2.0L R/T Engine use block. . use block.						
-1						GASKET PACKAGE, Engine Lower
	4798 967AE	1		ECB		
		1		ECH		
2	#5018 804AA	1		ECB		BLOCK, Short Contains Block, Bed Plate, Crank, Rods, Pistons, Rings, Oil Pump, Oil Pan
	#5018 788AA	1		ECH		Contains Block, Bed Plate, Crank, Rods, Pistons, Rings, Oil Pump, Oil Pan
3						DOWEL, Block To Cylinder Head
	4448 856	2		ECB		
		2		ECH		
4						PLUG, Pipe, .250-18x.560, (NOT SERVICED)
5						DOWEL, Engine Block To Bedplate
	4694 106	3		ECB		
		3		ECH		
6						BOLT, Main Bearing Cap
	6503 072	10		ECB		
		10		ECH		
7						BOLT, Main Bearing Cap
	6503 074	10		ECB		
		10		ECH		
8						O RING, Bedplate To Engine Block
	6034 773	1		ECB		
		1		ECH		
9						PLUG, Core, 1.39 Diameter
	6034 804	4		ECB		
		4		ECH		
10						DOWEL, Block To Clutch Housing
	5240 849	2		ECB		
		2		ECH		
11						SEAL, Rear Main Crankshaft
	4621 939AB	1		ECB		
		1		ECH		
12						PLUG, Cylinder Block Oil Hole
	4556 018	2		ECB		
		2		ECH		
13	4793 530	1	D, P			CORD, Engine Block Heater
14	5033 114AA	1	D, P			HEATER, Engine Block

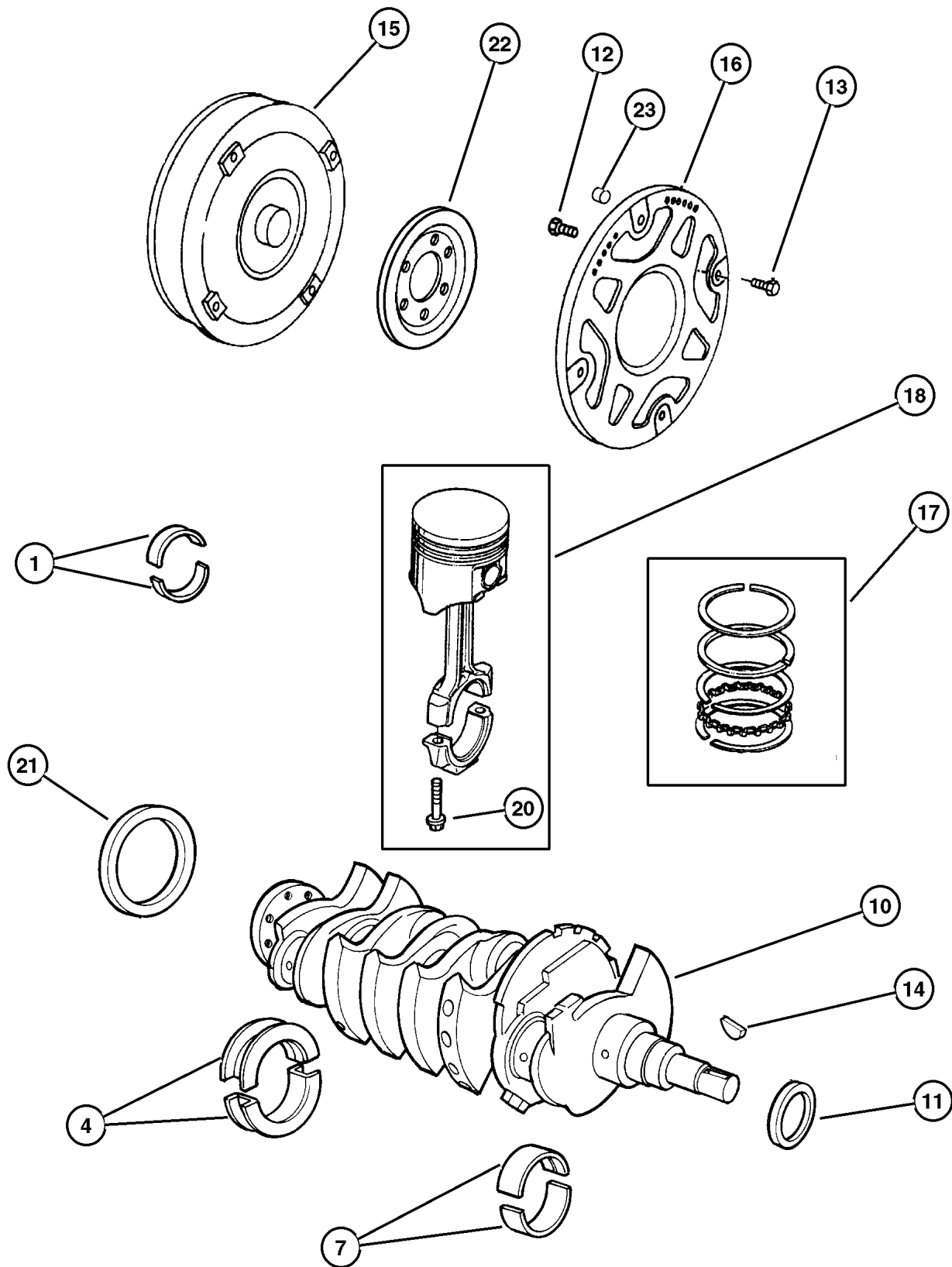
DODGE - CHRYSLER NEON (PL)

SERIES	LINE	BODY	ENGINE	TRANSMISSION
L=Low Line	Z=Chrysler, RHD	41 = 4 Door,	ECB,EC0=2.0L 4 Cyl., 16V SMPI	DD5=5 Speed Manual
H=High Line	D=Dodge	104WB	ECH,EC0=2.0L 4 Cyl, 16V SOHC	DGC=3 Speed Automatic
	D=Chrysler		EJD,EJ0=1.6L 4 Cyl 16V, SOHC	DGL=4 Speed Automatic
	P=Plymouth		EBD,EB0=1.8L 4 Cyl 16V SEF	DG0=All Automatics
				DBB=All 5 Speed Manual

AR = Use as required - = Non illustrated part # = New this model year

May 2, 2002

**Crankshaft, Piston, Driveplate 2.0L [ECB],[ECH]
Figure 2.0L-411**



ITEM	PART NUMBER	QTY	LINE	ENGINE	TRANS	DESCRIPTION
NOTE: Sales Codes use block.						
[DGC]=3 Speed Auto Trans use block.						
[DGL]=4 Speed Auto Trans use block.						
[ECB]=2.0L Engine use block.						
[ECH]=2.0L R/T Engine use block.						
1	4728 997	AR		ECB		BEARING PACKAGE, Connecting Rod, Standard
		AR		ECH		
-2	4728 991	AR		ECB		BEARING PACKAGE, Connecting Rod, .025mm Undersize
		AR		ECH		
-3	4728 992	AR		ECB		BEARING PACKAGE, Connecting Rod, .25mm Undersize
		AR		ECH		
4	4856 734	AR		ECB		BEARING PACKAGE, Crankshaft Thrust, STD.
		AR		ECH		
-5	4856 736	AR		ECB		BEARING PACKAGE, Crankshaft Thrust, .016mm Undersize
		AR		ECH		
-6	4856 738	AR		ECB		BEARING PACKAGE, Crankshaft Thrust, .25mm Undersize
		AR		ECH		
7	4856 733	AR		ECB		BEARING PACKAGE, Crankshaft Main, Standard Size
		AR		ECH		
-8	4856 735	AR		ECB		BEARING PACKAGE, Crankshaft, .016mm Undersize
		AR		ECH		
-9	4856 737	AR		ECB		BEARING PACKAGE, Crankshaft, .25 mm Undersize
		AR		ECH		
10	4667 754	1		ECB		CRANKSHAFT
		1		ECH		
11	4667 198	1		ECB		SEAL, Front Main Crankshaft
		1		ECH		
12	6503 465	8			DGC, DGL	BOLT, Drive Plate and Flywheel
13	6501 099	4			DGC, DGL	BOLT, Hex Head, M10x1.50 x 13.20
14						KEY, Crankshaft Sprocket

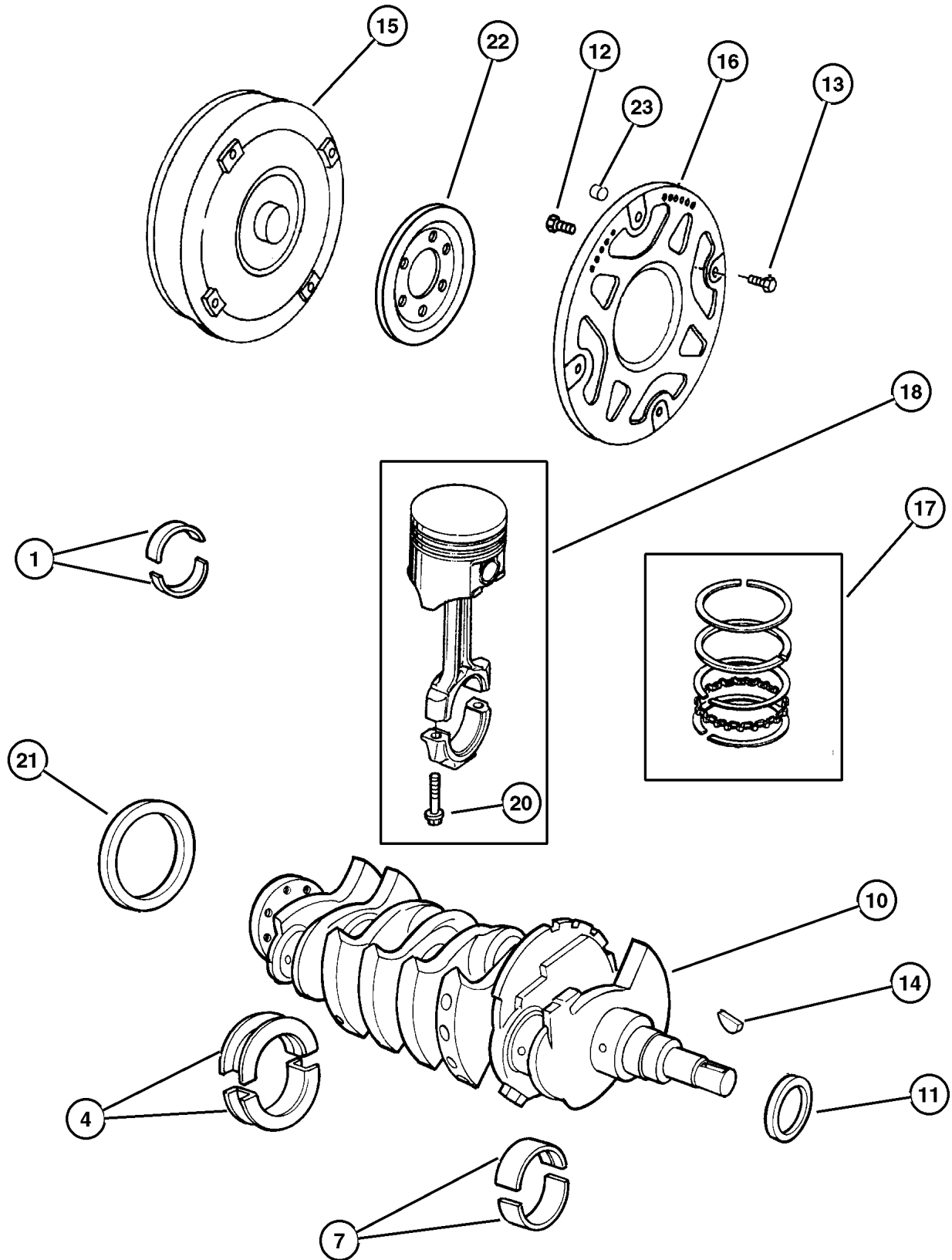
DODGE - CHRYSLER NEON (PL)

SERIES	LINE	BODY	ENGINE	TRANSMISSION
L=Low Line	Z=Chrysler, RHD	41 = 4 Door, 104WB	ECB,EC0=2.0L 4 Cyl., 16V SMPI	DD5=5 Speed Manual
H=High Line	D=Dodge		ECH,EC0=2.0L 4 Cyl, 16V SOHC	DGC=3 Speed Automatic
	D=Chrysler		EJD,EJ0=1.6L 4 Cyl 16V, SOHC	DGL=4 Speed Automatic
	P=Plymouth		EBD,EB0=1.8L 4 Cyl 16V SEF	DG0=All Automatics
				DBB=All 5 Speed Manual

AR = Use as required - = Non illustrated part # = New this model year

May 2, 2002

**Crankshaft, Piston, Driveplate 2.0L [ECB],[ECH]
Figure 2.0L-411**



ITEM	PART NUMBER	QTY	LINE	ENGINE	TRANS	DESCRIPTION
	6035 473	1		ECB		
		1		ECH		
15	#4796 384AC	1			DGC, DGL	CONVERTER PACKAGE, Torque
16	4567 143	1			DGC, DGL	PLATE, Drive Plate
17						PISTON RING SET, COMPLETE ENGINE, STD.
	4741 401	1		ECB		
		1		ECH		
18	4897 642AB	AR		ECB		PISTON PIN AND ROD
-19	#5018 767AA	4		ECH		PISTON, Piston, Pin, and Rod Assy.
20						BOLT, Connecting Rod
	6503 116	8		ECB		
		8		ECH		
21						SEAL, Rear Main Crankshaft
	4621 939AB	1		ECB		
		1		ECH		
22	4471 933	1			DGC, DGL	PLATE, Drive Plate Backing
23						DOWEL, Block To Clutch Housing
	5240 849	2		ECH		
		2		ECB		

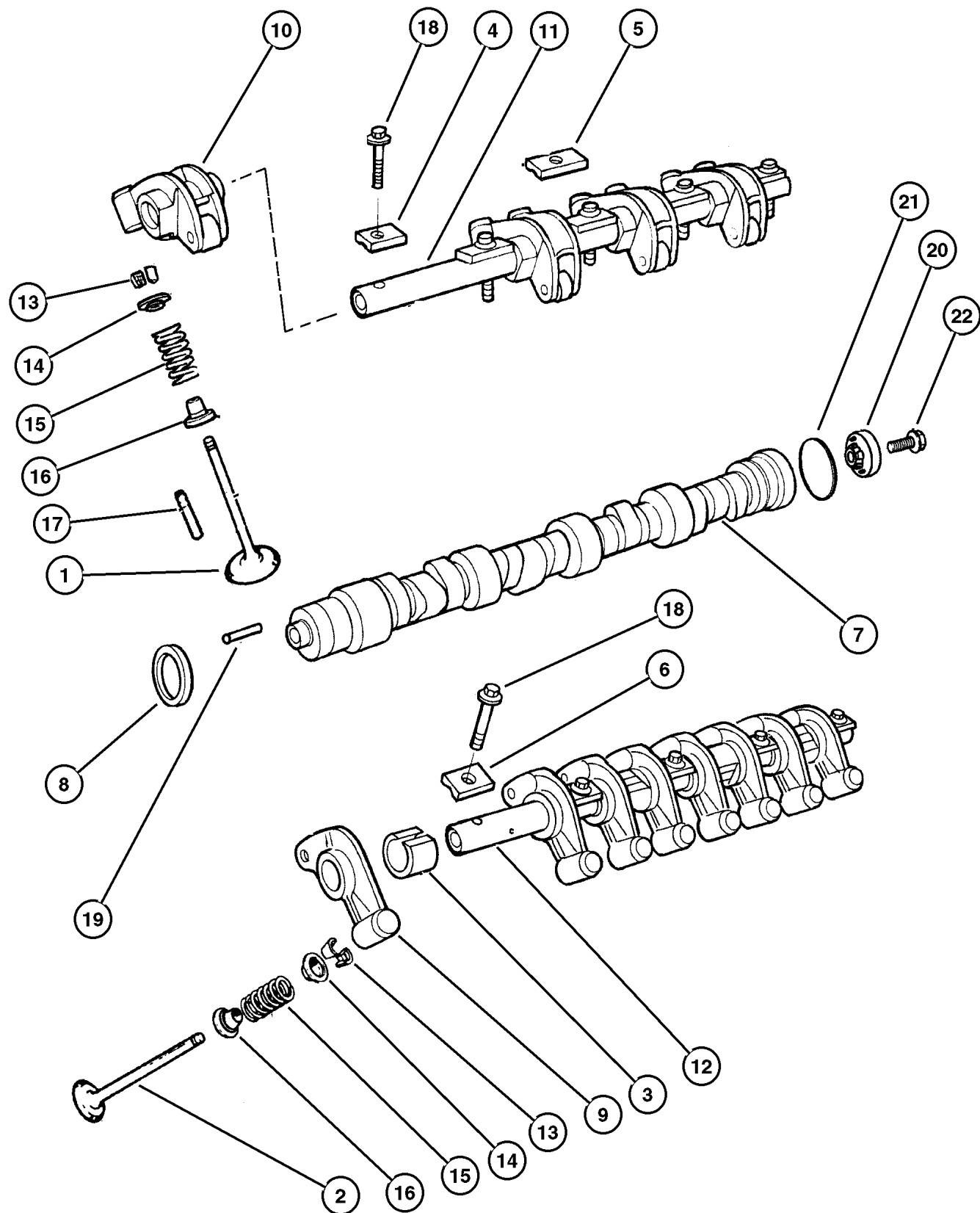
DODGE - CHRYSLER NEON (PL)

SERIES	LINE	BODY	ENGINE	TRANSMISSION
L=Low Line	Z=Chrysler, RHD	41 = 4 Door,	ECB,EC0=2.0L 4 Cyl., 16V SMPI	DD5=5 Speed Manual
H=High Line	D=Dodge	104WB	ECH,EC0=2.0L 4 Cyl, 16V SOHC	DGC=3 Speed Automatic
	D=Chrysler		EJD,EJ0=1.6L 4 Cyl 16V, SOHC	DGL=4 Speed Automatic
	P=Plymouth		EBD,EB0=1.8L 4 Cyl 16V SEF	DG0=All Automatics
				DBB=All 5 Speed Manual

AR = Use as required - = Non illustrated part # = New this model year

May 2, 2002

**Camshaft and Valves 2.0L [ECB],[ECH]
Figure 2.0L-511**



ITEM	PART NUMBER	QTY	LINE	ENGINE	TRANS	DESCRIPTION
NOTE: Sales Codes use block. [ECB]=2.0L Engine use block. [ECH]=2.0L R/T Engine use block.						
1						VALVE, Exhaust, Standard
	4648 613	8		ECB		Single Bead Lock
	4648 613AC	8		ECH		Triple Bead Lock
	4777 150AB	8		ECB		NAB, Leaded Fuel
	4648 613AC	8		ECB		Triple Bead Lock
2						VALVE, Intake, Standard
	4648 615	8		ECB		Single Bead Lock
	4648 615AC	8		ECH		Triple Bead Lock
		8		ECB		Triple Bead Lock
3						SPACER, Rocker Shaft
	4667 370	4		ECB		
		4		ECH		
4						RETAINER, Valve Rocker Shaft
	4667 256	2		ECB		
		2		ECH		
5						RETAINER, Valve Rocker Shaft
	4667 257	3		ECB		
		3		ECH		
6						RETAINER, Valve Rocker Shaft
	4667 259	5		ECB		
		5		ECH		
7						CAMSHAFT
	4777 128	1		ECB		
	#4884 325AA	1		ECH		
8						SEAL, Camshaft
	4777 086	1		ECB		
		1		ECH		
9						ROCKER ARM, Intake
	4648 701AB	8		ECB		
		8		ECH		
10	4648 702AC	4		ECB		ROCKER ARM, Exhaust
11						SHAFT, Rocker Arm
	4648 693	1		ECB		
		1		ECH		
12						SHAFT, Rocker Arm
	4648 691	1		ECB		
		1		ECH		
13						LOCK, Valve Spring Retainer
	4777 050	32		ECB		Single Bead Lock

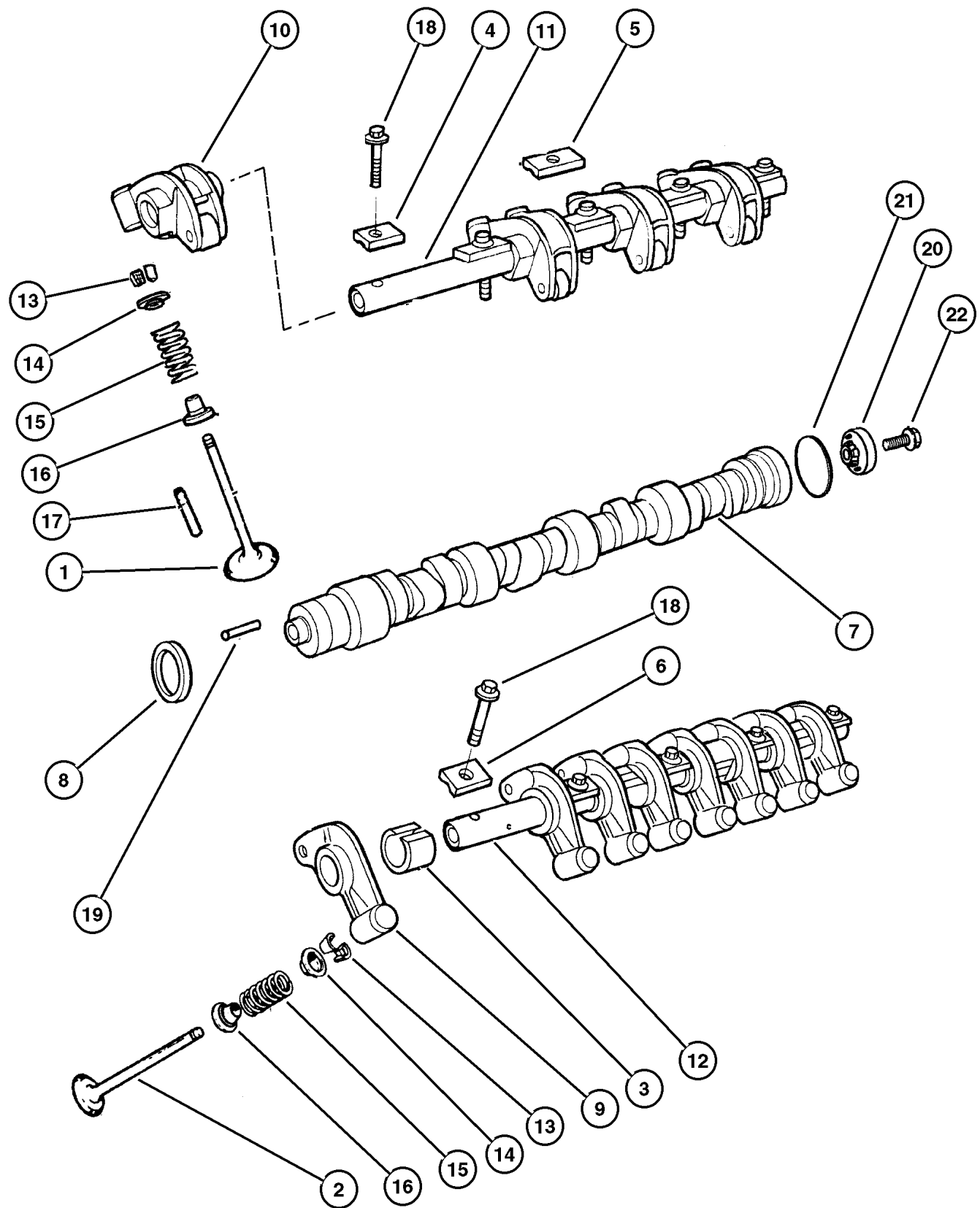
DODGE - CHRYSLER NEON (PL)

SERIES	LINE	BODY	ENGINE	TRANSMISSION
L=Low Line	Z=Chrysler, RHD	41 = 4 Door,	ECB,EC0=2.0L 4 Cyl., 16V SMPI	DD5=5 Speed Manual
H=High Line	D=Dodge	104WB	ECH,EC0=2.0L 4 Cyl, 16V SOHC	DGC=3 Speed Automatic
	D=Chrysler		EJD,EJ0=1.6L 4 Cyl 16V, SOHC	DGL=4 Speed Automatic
	P=Plymouth		EBD,EB0=1.8L 4 Cyl 16V SEF	DG0=All Automatics
				DBB=All 5 Speed Manual

AR = Use as required - = Non illustrated part # = New this model year

May 2, 2002

**Camshaft and Valves 2.0L [ECB],[ECH]
Figure 2.0L-511**



ITEM	PART NUMBER	QTY	LINE	ENGINE	TRANS	DESCRIPTION
	4777 050AB	32		ECH		Triple Bead Lock
		32		ECB		Triple Bead Lock
14						RETAINER, Valve Spring
	4648 682	16		ECB		Single Bead Lock
	4648 682AB	16		ECH		Triple Bead Lock
15		16		ECB		Triple Bead Lock
						SPRING, Valve
	4777 535	16		ECB		
	#4884 058AA	16		ECH		
16						SEAL, Valve Guide
	4648 619	16		ECB		
		16		ECH		
17						GUIDE, Intake/Exhaust Valve, 7mm Oversize
	4648 635	AR		ECB		
		AR		ECH		
18						SCREW, Hex Flange Head, M8x1.25x40
	6101 527	5		ECB		
		5		ECH		
19						PIN, Dowel
	6100 997	1		ECB		
		1		ECH		
20						CAM MAGNET, Target
	5269 547	1		ECB		
		1		ECH		
21						SEAL, Camshaft Sensor
	4884 111AA	1		ECB		
		1		ECH		
22						BOLT, Hex Flange Head, M6x1.00x40
	6503 688	1		ECB		
		1		ECH		

DODGE - CHRYSLER NEON (PL)

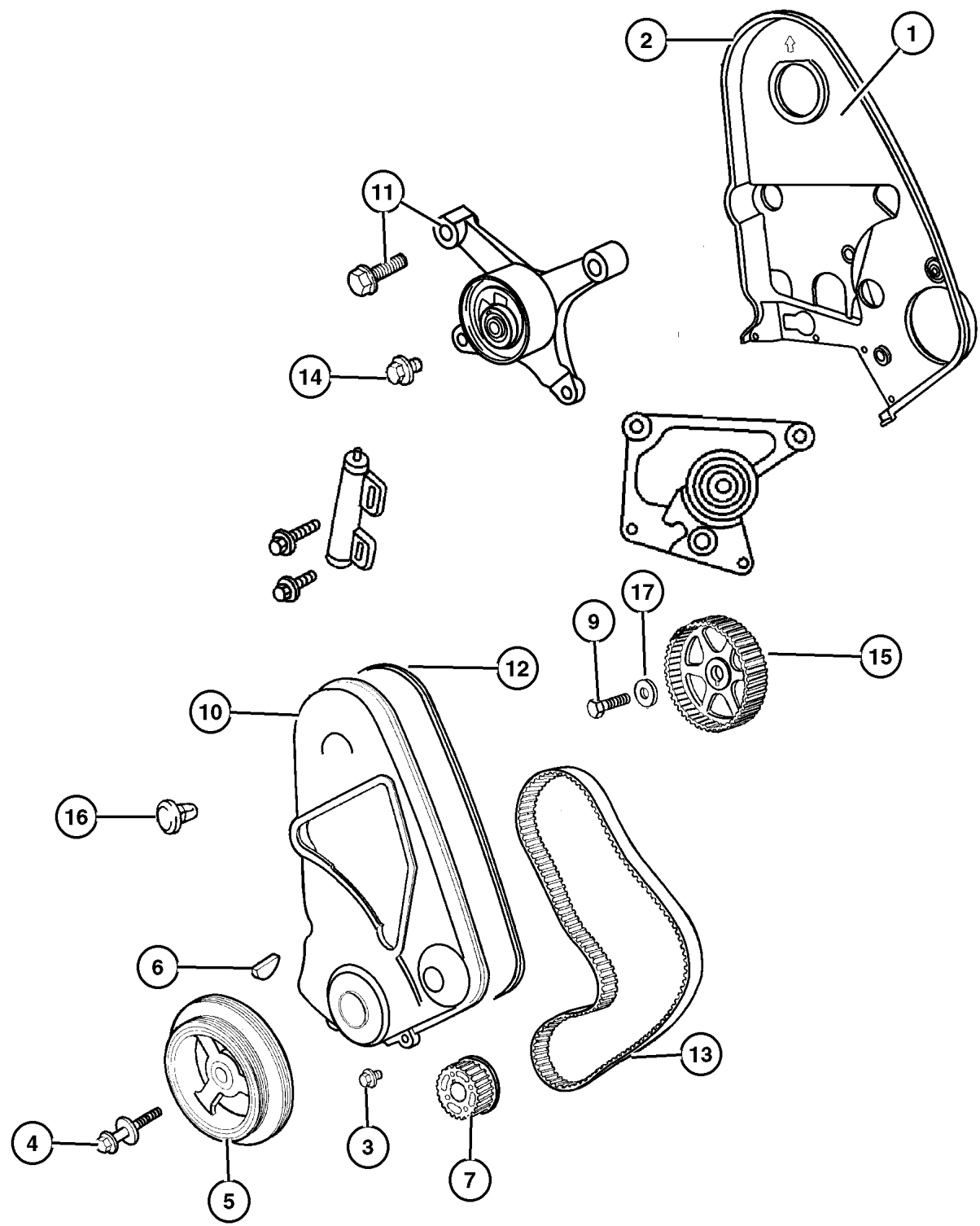
SERIES	LINE	BODY	ENGINE	TRANSMISSION
L=Low Line	Z=Chrysler, RHD	41 = 4 Door,	ECB,EC0=2.0L 4 Cyl., 16V SMPI	DD5=5 Speed Manual
H=High Line	D=Dodge	104WB	ECH,EC0=2.0L 4 Cyl, 16V SOHC	DGC=3 Speed Automatic
	D=Chrysler		EJD,EJ0=1.6L 4 Cyl 16V, SOHC	DGL=4 Speed Automatic
	P=Plymouth		EBD,EB0=1.8L 4 Cyl 16V SEF	DG0=All Automatics
				DBB=All 5 Speed Manual

AR = Use as required - = Non illustrated part # = New this model year

May 2, 2002

**Timing Belt and Cover 2.0L [ECB],[ECH]
Figure 2.0L-611**

ITEM	PART NUMBER	QTY	LINE	ENGINE	TRANS	DESCRIPTION
NOTE: Sales Codes use block.						
[ECB]=2.0L Engine use block.						
[ECH]=2.0L R/T Engine use block.						
1	4777 519AB	1		ECB		COVER, Timing Belt, Inner
2	4667 340	1		ECB		SEAL, Timing Belt Cover
		1		ECH		
3	6502 926	6		ECB		BOLT, Hex Flange Head, M6x1.0x20
		6		ECH		
4	6503 553	1		ECB		BOLT, Hex Flange Head, M12x1.75x87.50
		1		ECH		
5	4777 618AA	1		ECB		DAMPER, Crankshaft
		1		ECH		
6						KEY, Crankshaft Sprocket
	6035 473	1		ECB		
		1		ECH		
7	4667 604	1		ECB		GEAR, Crankshaft
		1		ECH		
-8	6100 997	1		ECB		PIN, Dowel
		1		ECH		
9	6501 405	1		ECB		BOLT, Hex Head, M12x1.50x52
		1		ECH		
10	4777 465	1		ECB		COVER, Timing Belt
		1		ECH		Outer
		1		ECH		Outer
11	4667 283	1		ECH		TENSIONER, Belt
		1		ECB		Hydraulic
	4777 395AD	1		ECH		Hydraulic
		1		ECH		Mechanical
		1		ECB		Mechanical
12						SEAL, Timing Belt Cover
	4667 340	1		ECB		
		1		ECH		
13	4667 606	1		ECB		BELT, Timing
		1		ECH		



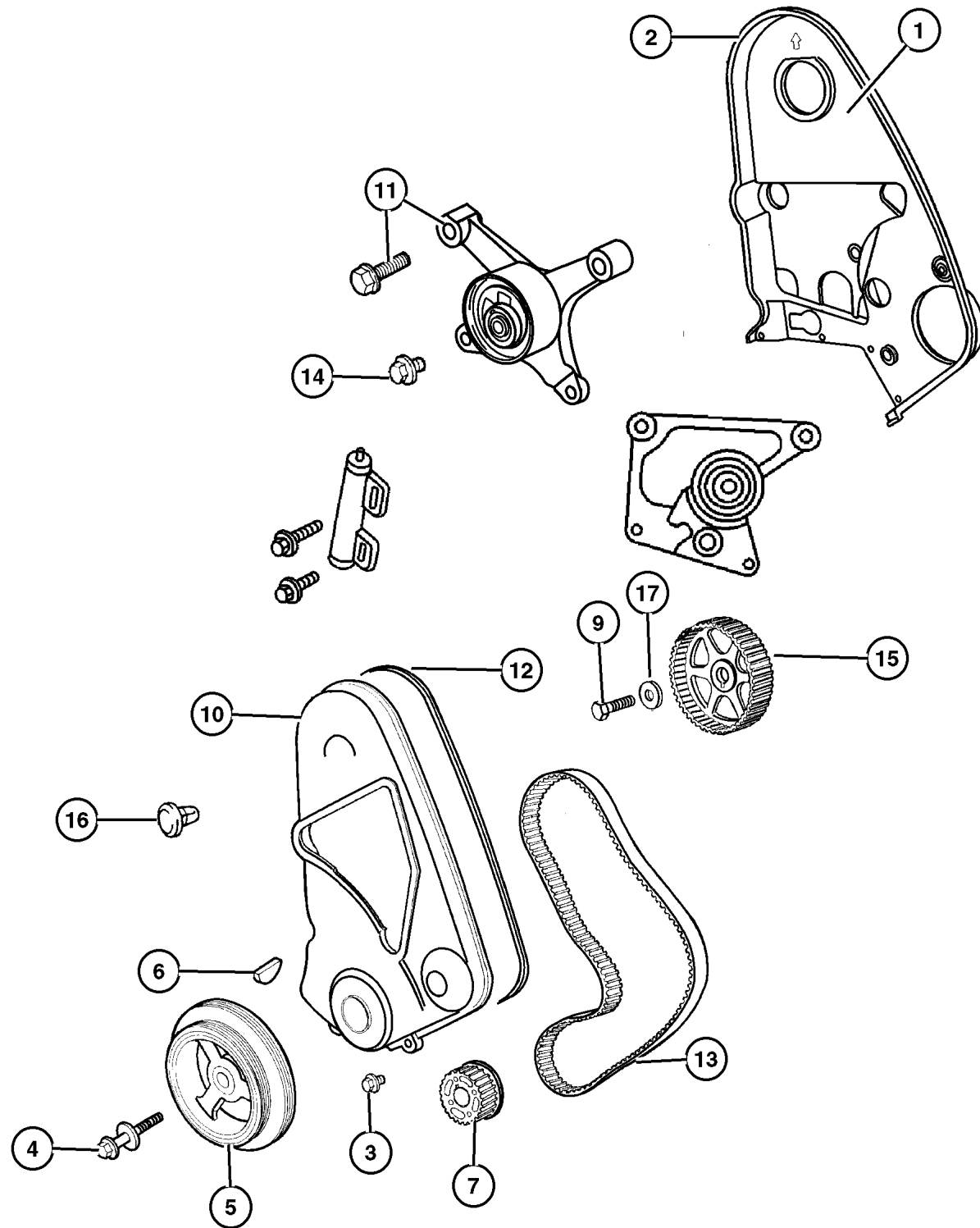
DODGE - CHRYSLER NEON (PL)				
SERIES	LINE	BODY	ENGINE	TRANSMISSION
L=Low Line	Z=Chrysler, RHD	41 = 4 Door,	ECB,EC0=2.0L 4 Cyl., 16V SMPI	DD5=5 Speed Manual
H=High Line	D=Dodge	104WB	ECH,EC0=2.0L 4 Cyl, 16V SOHC	DGC=3 Speed Automatic
	D=Chrysler		EJD,EJ0=1.6L 4 Cyl 16V, SOHC	DGL=4 Speed Automatic
	P=Plymouth		EBD,EB0=1.8L 4 Cyl 16V SEF	DG0=All Automatics
				DBB=All 5 Speed Manual

AR = Use as required - = Non illustrated part # = New this model year

May 2, 2002

**Timing Belt and Cover 2.0L [ECB],[ECH]
Figure 2.0L-611**

ITEM	PART NUMBER	QTY	LINE	ENGINE	TRANS	DESCRIPTION
14						SCREW AND WASHER, Hex Head, M6x1x30, (NOT SERVICED)
15	4667 602	1		ECB		GEAR, Camshaft
		1		ECH		
16	4667 554	1		ECB		PLUG, Timing Belt Cover
		1		ECH		
17	6503 438	1		ECB		WASHER, Flared, 13x35.00x4.70
		1		ECH		

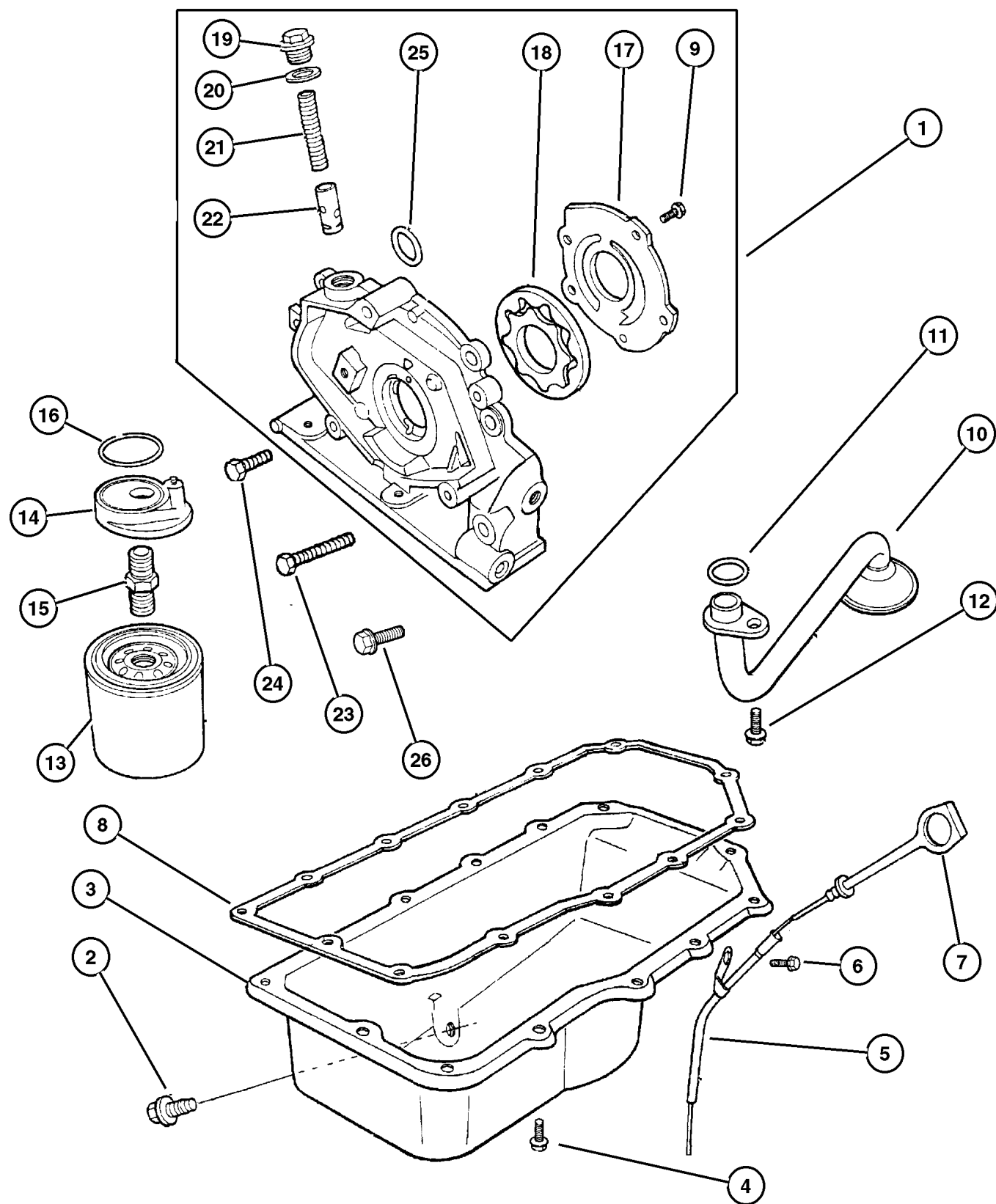


DODGE - CHRYSLER NEON (PL)				
SERIES	LINE	BODY	ENGINE	TRANSMISSION
L=Low Line	Z=Chrysler, RHD	41 = 4 Door,	ECB,EC0=2.0L 4 Cyl., 16V SMPI	DD5=5 Speed Manual
H=High Line	D=Dodge	104WB	ECH,EC0=2.0L 4 Cyl, 16V SOHC	DGC=3 Speed Automatic
	D=Chrysler		EJD,EJ0=1.6L 4 Cyl 16V, SOHC	DGL=4 Speed Automatic
	P=Plymouth		EBD,EB0=1.8L 4 Cyl 16V SEF	DG0=All Automatics
				DBB=All 5 Speed Manual

AR = Use as required - = Non illustrated part # = New this model year

May 2, 2002

**Engine Oiling 2.0L [ECB],[ECH]
Figure 2.0L-711**



ITEM	PART NUMBER	QTY	LINE	ENGINE	TRANS	DESCRIPTION
NOTE: Sales Codes use block. [ECB]=2.0L Engine use block. [ECH]=2.0L R/T Engine use block.						
1	4667 884	1		ECB		PUMP, Engine Oil
2	6504 018	1		ECH		PLUG, Oil Drain
		1		ECB		
3	4777 300AB	1		ECB		PAN, Engine Oil
		1		ECH		
4	6101 451	13		ECB		SCREW AND WASHER, Hex Head, M6x1x25
		13		ECH		
5	4667 352	1		ECB		TUBE, Engine Oil Indicator
		1		ECH		
6	6500 399	1		ECB		BOLT, Hex Head, M10x1.5x20
		1		ECH		
7	4777 284	1		ECB		INDICATOR, Engine Oil Level
		1		ECH		
8	4556 666	1		ECB		GASKET, Oil Pan
		1		ECH		
9	6505 388AA	5		ECB		SCREW, Flange Head, M6x1x18
		5		ECH		
10	4777 252	1		ECB		TUBE, Oil Pickup
		1		ECH		
11	6032 920	1		ECB		SEAL, Oil Pick Up Tube
		1		ECH		
12	6500 070	1		ECB		SCREW AND WASHER, Hex Head, M8x1.25x25
		1		ECH		
13	4105 409	1		ECB		FILTER, Engine Oil
		1		ECH		
14		1				ADAPTER, Oil Filter

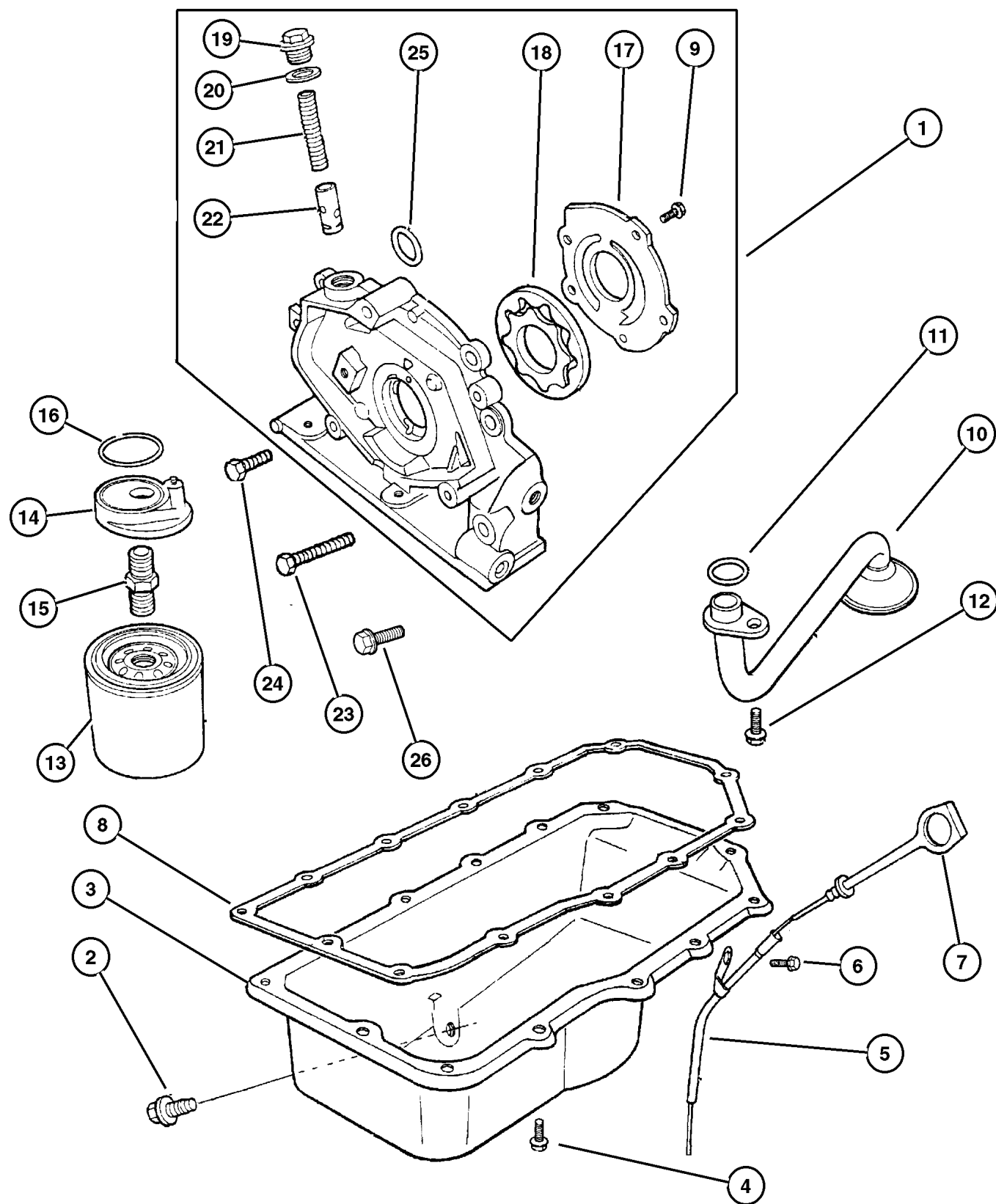
DODGE - CHRYSLER NEON (PL)

SERIES	LINE	BODY	ENGINE	TRANSMISSION
L=Low Line	Z=Chrysler, RHD	41 = 4 Door,	ECB,EC0=2.0L 4 Cyl., 16V SMPI	DD5=5 Speed Manual
H=High Line	D=Dodge	104WB	ECH,EC0=2.0L 4 Cyl, 16V SOHC	DGC=3 Speed Automatic
	D=Chrysler		EJD,EJ0=1.6L 4 Cyl 16V, SOHC	DGL=4 Speed Automatic
	P=Plymouth		EBD,EB0=1.8L 4 Cyl 16V SEF	DG0=All Automatics
				DBB=All 5 Speed Manual

AR = Use as required - = Non illustrated part # = New this model year

May 2, 2002

**Engine Oiling 2.0L [ECB],[ECH]
Figure 2.0L-711**



ITEM	PART NUMBER	QTY	LINE	ENGINE	TRANS	DESCRIPTION
	4667 386	1		ECB		
		1		ECH		
15	4667 301	1		ECB		CONNECTOR, Oil Filter Adapter
		1		ECH		
16	4777 425	1		ECB		O RING, Oil Filter Adapter
		1		ECH		
17						COVER, Oil Pump Back
	4556 669	1		ECB		
		1		ECH		
18	4761 538	1		ECB		ROTOR SET, Oil Pump
		1		ECH		
19	0618 621	1		ECB		CAP, Oil Pressure Relief Valve
		1		ECH		
20	4777 062	1		ECB		GASKET, Oil Pump Relief Valve
		1		ECH		
21						SPRING, Oil Pressure Relief Valve
	1737 744	1		ECB		
		1		ECH		
22	2843 208	1		ECB		PLUNGER, Oil Pressure Relief Valve
		1		ECH		
23	6503 257	1		ECB		BOLT, Hex Head, M8x1.25x37.50
		1		ECH		
24	6503 256	1		ECB		BOLT, Hex Flange Head, M6x1.0x40
		1		ECH		
25	4483 444AB	1		ECB		O RING, Front Cover Oil Inlet
		1		ECH		
26	6100 296	2		ECB		BOLT, Hex Head
		2		ECH		

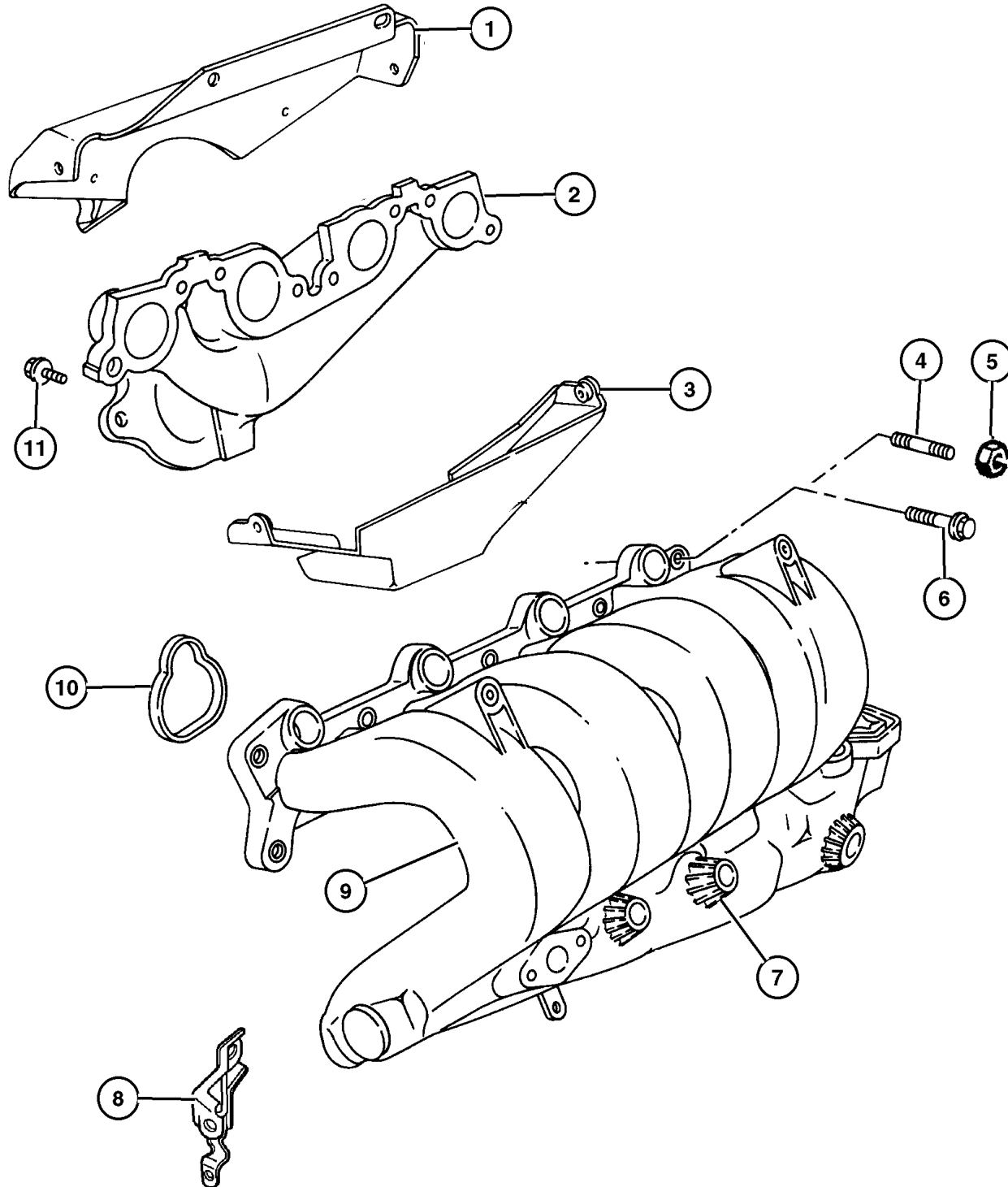
DODGE - CHRYSLER NEON (PL)

SERIES	LINE	BODY	ENGINE	TRANSMISSION
L=Low Line	Z=Chrysler, RHD	41 = 4 Door,	ECB,EC0=2.0L 4 Cyl., 16V SMPI	DD5=5 Speed Manual
H=High Line	D=Dodge	104WB	ECH,EC0=2.0L 4 Cyl., 16V SOHC	DGC=3 Speed Automatic
	D=Chrysler		EJD,EJ0=1.6L 4 Cyl 16V, SOHC	DGL=4 Speed Automatic
	P=Plymouth		EBD,EB0=1.8L 4 Cyl 16V SEF	DG0=All Automatics
				DBB=All 5 Speed Manual

AR = Use as required - = Non illustrated part # = New this model year

May 2, 2002

**Manifolds, 2.0L [ECB],[ECH]
Figure 2.0L-810**



ITEM	PART NUMBER	QTY	LINE	ENGINE	TRANS	DESCRIPTION
NOTES: Sales Code use block.						
[DGC] = 3 Speed Automatic Transmission use block.						
[ECB] = 2.0L 4 Cylinder SOHC 16V SMPI Engine use block.						
[ECH] = 2.0L 4 Cylinder SOHC 16V HI Performance Engine use block.						
1						SHIELD, Exhaust Manifold
	4777 497	1		ECB		
	4777 600AA	1		ECB		NBU Upper
	#4884 072AB	1		ECH		
2						MANIFOLD, Exhaust
	4777 619AB	1		ECB		
	4777 904AC	1		ECB		NBU
	#4884 070AA	1		ECH		
3						SHIELD, Exhaust Manifold
	4777 498	1		ECB		
	4777 611AA	1		ECB		Ultra Low Emissions
	#4884 075AA	1		ECH		
4	6505 314AA	2		ECB		STUD
5	6500 274	1			DGC	LOCK NUT, M6x1.0x6
6	6505 756AA	5		ECB		BOLT, Hex Flange Head, M6x1.0x40
7	6505 926AA	4		ECB		BOLT, Hex Head, Knurled Reduction
8	4777 449AB	1		ECB		BRACKET, Intake Manifold
9						MANIFOLD, Intake
	4777 379	1		ECB		
	#4884 065AC	1		ECH		
10						GASKET, Intake Manifold
	#4648 623AB	1		ECH		
	4777 895AA	4		ECB		Ultra Low Emissions
11	6503 131	8		ECB		BOLT, Hex Flange Head, M8x1.25x30
-12	4667 492	1		ECB		GASKET, Exhaust Manifold
-13						PLUG, Cylinder Block Oil Hole
	4556 018	2		ECH		
	6500 362	1		ECB		NAB
-14	6102 152AA	3				SCREW, Tapping Hex Flange Head, M6.3x1.81x20.00, Bending Srt to Intake Manifold
-15	#4884 094AB	1		ECH		ACTUATOR, Manifold Tuning Valve
-16	6101 221	2		ECH		SCREW, Actuator Attaching
-17	6102 041AA	5		ECH		SCREW, Runner to Plenum-Intake Attaching
-18	#4884 067AB	1		ECH		GASKET, Intake Plenum
-19	#6506 575AA	6		ECH		SCREW, Intake Manifold To Cylinder Head
-20						BOLT, Hex Head
	6505 926AA	1		ECH		Exhaust Manifold
		4		ECB		

DODGE - CHRYSLER NEON (PL)

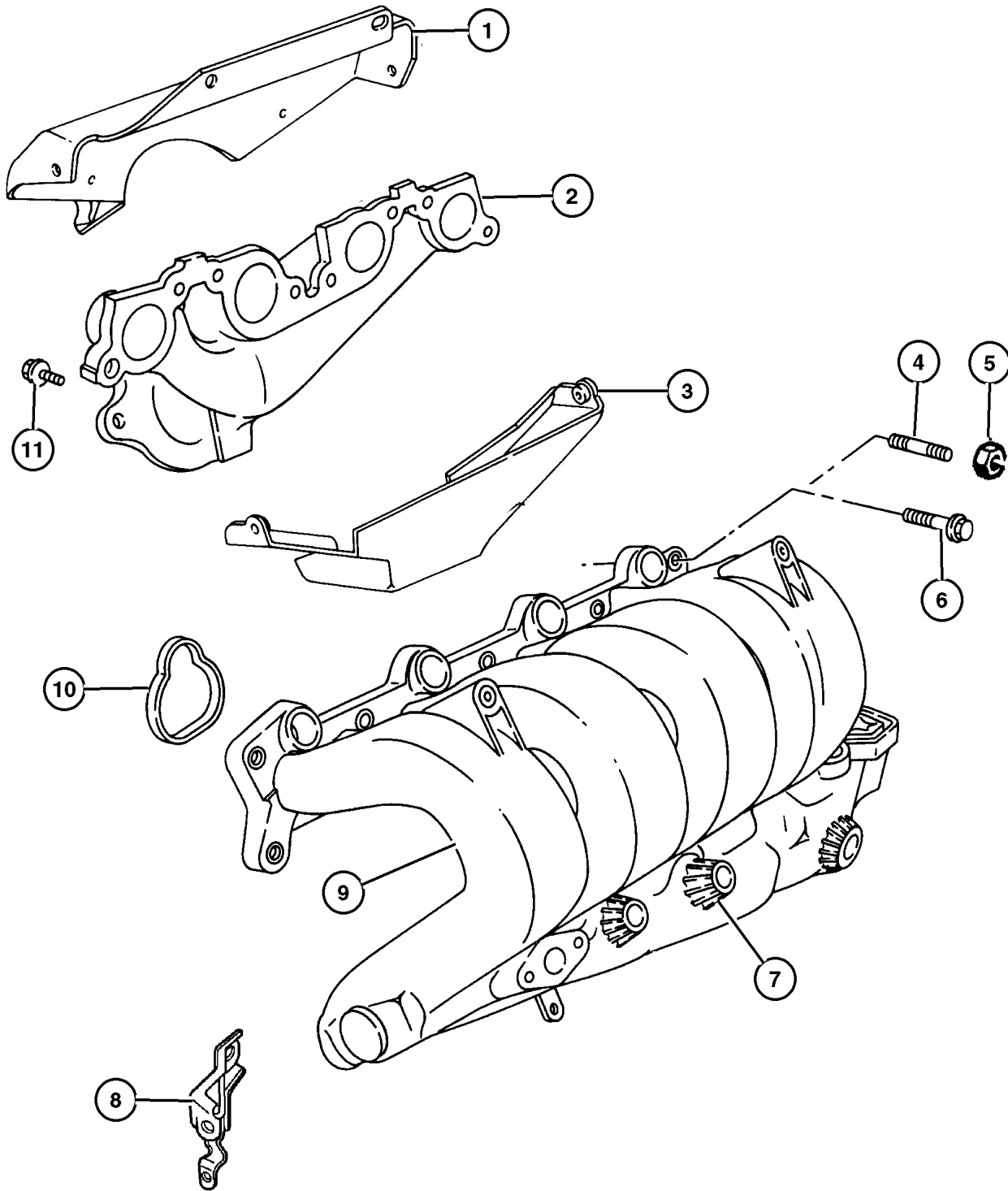
SERIES	LINE	BODY	ENGINE	TRANSMISSION
L=Low Line	Z=Chrysler, RHD	41 = 4 Door,	ECB,EC0=2.0L 4 Cyl., 16V SMPI	DD5=5 Speed Manual
H=High Line	D=Dodge	104WB	ECH,EC0=2.0L 4 Cyl, 16V SOHC	DGC=3 Speed Automatic
	D=Chrysler		EJD,EJ0=1.6L 4 Cyl 16V, SOHC	DGL=4 Speed Automatic
	P=Plymouth		EBD,EB0=1.8L 4 Cyl 16V SEF	DG0=All Automatics
				DBB=All 5 Speed Manual

AR = Use as required - = Non illustrated part # = New this model year

May 2, 2002

Manifolds, 2.0L [ECB],[ECH]
Figure 2.0L-810

ITEM	PART NUMBER	QTY	LINE	ENGINE	TRANS	DESCRIPTION
-21	6503 767	3		ECH		BOLT, Hex Head, M8x1.25x35, Exhaust Manifold

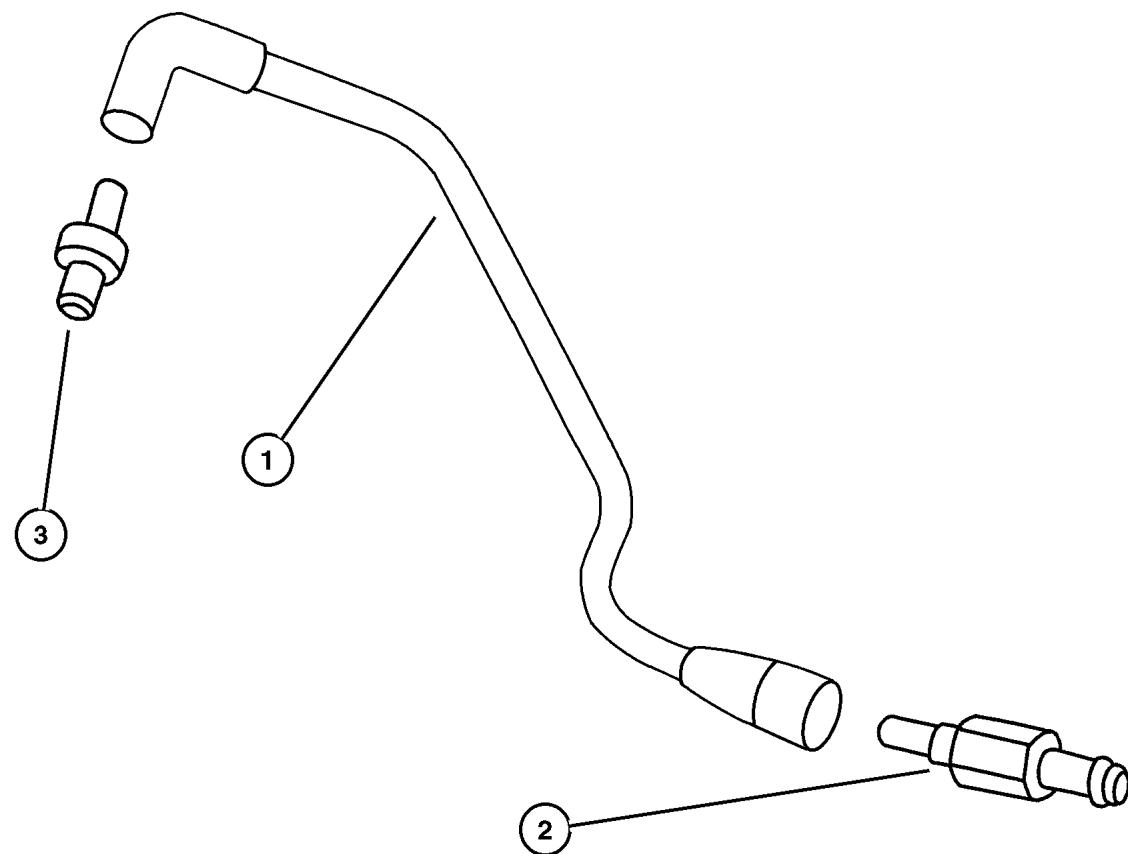
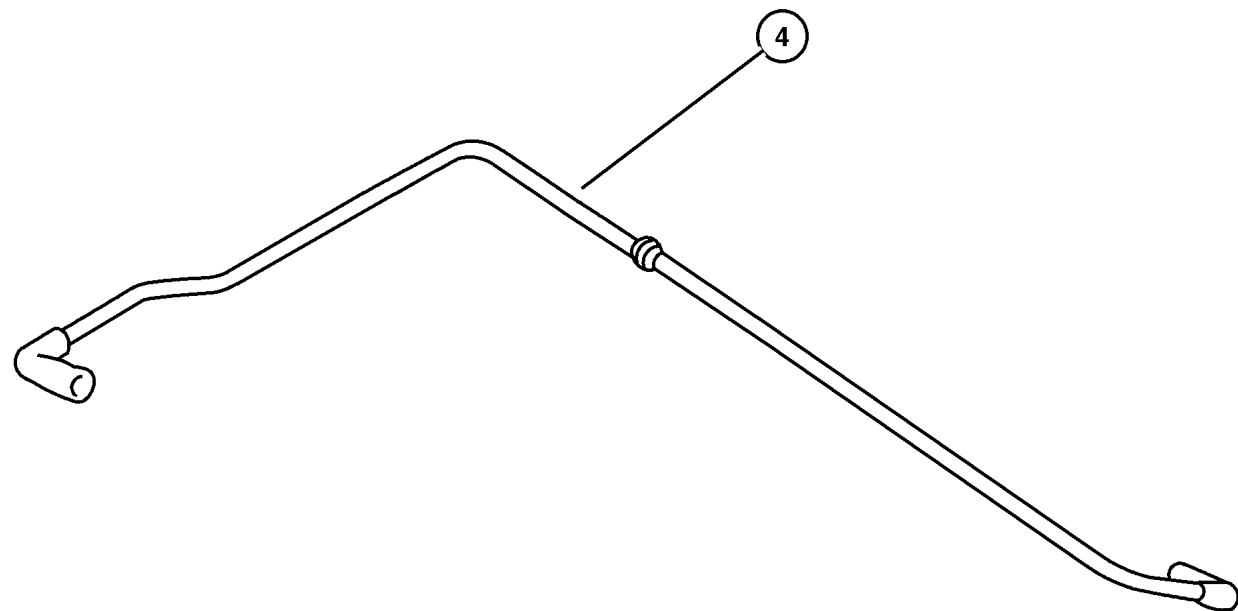


DODGE - CHRYSLER NEON (PL)				
SERIES	LINE	BODY	ENGINE	TRANSMISSION
L=Low Line	Z=Chrysler, RHD	41 = 4 Door,	ECB,EC0=2.0L 4 Cyl., 16V SMPI	DD5=5 Speed Manual
H=High Line	D=Dodge	104WB	ECH,EC0=2.0L 4 Cyl, 16V SOHC	DGC=3 Speed Automatic
	D=Chrysler		EJD,EJ0=1.6L 4 Cyl 16V, SOHC	DGL=4 Speed Automatic
	P=Plymouth		EBD,EB0=1.8L 4 Cyl 16V SEF	DG0=All Automatics
				DBB=All 5 Speed Manual

AR = Use as required - = Non illustrated part # = New this model year

May 2, 2002

**Crankcase Ventilation 2.0L [ECB],[ECH]
Figure 2.0L-911**



ITEM	PART NUMBER	QTY	LINE	ENGINE	TRANS	DESCRIPTION
NOTE: Sales Codes use block.						
[EBD]=1.8L Engine use block.						
[ECB]=2.0L Engine use block.						
[ECH]=2.0L R/T Engine use block.						
1						HOSE, Polution Control Valve
	4777 501AB	1		ECB		
	#4884 082AC	1		ECH		
2						VALVE, PCV
	4777 240AD	1		ECB		
		1		ECH		
3	4884 040AA	1		EBD, ECB, ECH		RESTRICTOR, PCV
4	#4667 989AC	1		ECB, ECH		HOSE, Make Up Air
-5	#5066 076AA	1		ECB, ECH	DD5	FILTER, Crankcase Vent

DODGE - CHRYSLER NEON (PL)				
SERIES	LINE	BODY	ENGINE	TRANSMISSION
L=Low Line	Z=Chrysler, RHD	41 = 4 Door,	ECB,EC0=2.0L 4 Cyl., 16V SMPI	DD5=5 Speed Manual
H=High Line	D=Dodge	104WB	ECH,EC0=2.0L 4 Cyl, 16V SOHC	DGC=3 Speed Automatic
	D=Chrysler		EJD,EJ0=1.6L 4 Cyl 16V, SOHC	DGL=4 Speed Automatic
	P=Plymouth		EBD,EB0=1.8L 4 Cyl 16V SEF	DG0=All Automatics
				DBB=All 5 Speed Manual

AR = Use as required - = Non illustrated part # = New this model year

May 2, 2002

Group – 011

Exhaust

GROUP 11 - Exhaust

Illustration Title

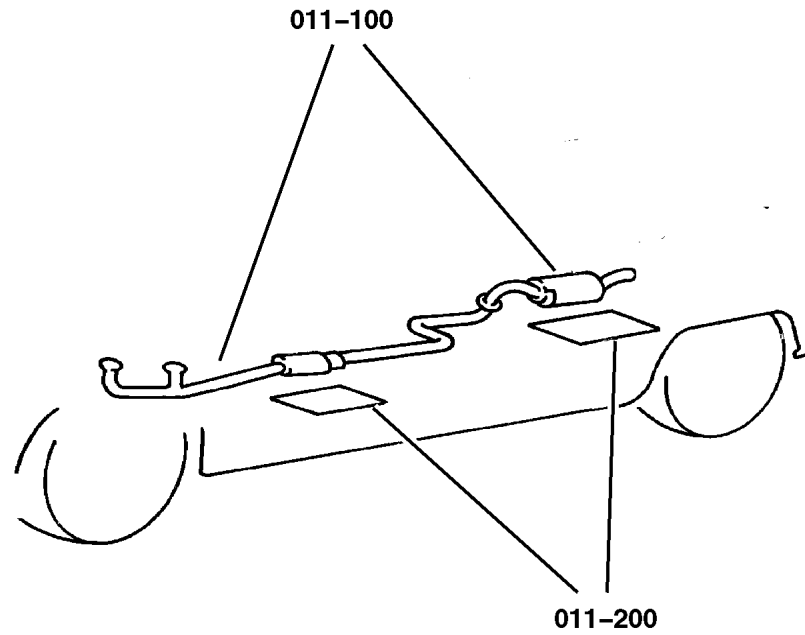
Group-Fig. No.

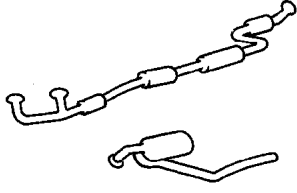
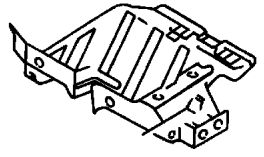
Exhaust System

Exhaust System Fig. 011-105

Heat Shields

Exhaust Shields PL Fig. 011-201



<p>011-100 Exhaust System</p> 	<p>011-200 Heat Shields</p> 		
--	--	--	--

Exhaust System Figure 011-105

ITEM	PART NUMBER	QTY	LINE	SERIES	BODY	ENGINE	TRANS	DESCRIPTION
------	-------------	-----	------	--------	------	--------	-------	-------------

NOTE: Sales Codes use block.
 [DGC]=3 Speed Auto Trans use block.
 [EBD]=1.8L Engine use block.
 [ECB]=2.0L Engine use block.
 [ECH]=2.0L R/T Engine use block.
 [EJD]=1.6L Engine use block.
 [NAA]= Federal Emissions use block.
 [NA1]= Export Emissions use block.
 [NBU]= Ultra Low Emissions use block.
 [NBV]= Low Emissions use block.
 [NA3] = European III Emissions use block.

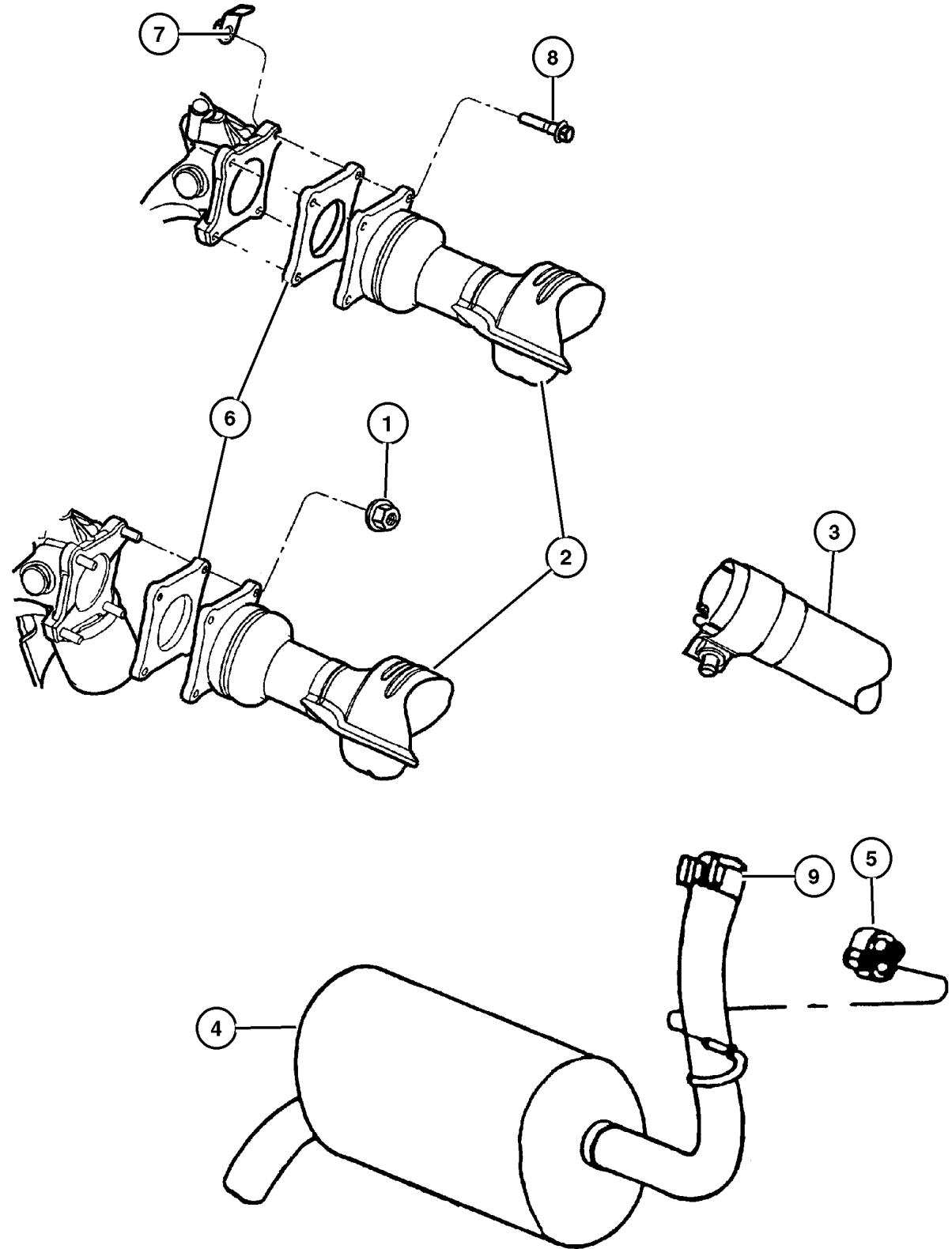
1								NUT, Hex Flange Lock, M8 Phosphate
	6100 517	4				EJD		
		4				ECB, ECH		
2								CONVERTER, Catalytic
	5278 233AE	1				EBD		Front with Pipes
	5278 345AE	1				ECB	DGC	[NAE],[NBU] Up to 10/11/00
	#5278 504AD	1				EJD		[NA3] Front with Pipes
	#5278 622AC	1				ECH		Front with Pipes
	#5278 126AF	1				ECB		[NAA],[NBV] Up to 10/11/00 50.75MM
	#5278 126AG	1				ECB		Pipe [NAA],[NBV] After 10/11/00 57.1MM
	#5278 126AH	1				ECB		Low Emission Vehicle
	4546 942AE	1				ECB		Front with Pipes Up to 10/11/01
	#4546 942AF	1				ECB		After 10/11/01
	#5278 345AF	1				ECB		[NAE],[NBU] After 10/11/00 57.1MM
								Pipe
3								PIPE, Exhaust Extension
	4546 975AD	1				EBD, ECB, EJD		Up To 10/11/00
	#5278 623AA	1				ECH		
	#4546 975AF	1				ECB		After 10/11/00
4								MUFFLER, Exhaust
	#5278 624AA	1				ECH		
	4546 968	1				ECB		
5								ISOLATOR, Exhaust Support
	5278 115AA	3						
6								GASKET, Manifold To Exhaust Pipe
	4616 671	1						
7								NUT, Hex Flange, M8x1.25, (NOT REQUIRED)

DODGE - CHRYSLER NEON (PL)

SERIES	LINE	BODY	ENGINE	TRANSMISSION
L=Low Line	Z=Chrysler, RHD	41 = 4 Door,	ECB,EC0=2.0L 4 Cyl., 16V SMPI	DD5=5 Speed Manual
H=High Line	D=Dodge	104WB	ECH,EC0=2.0L 4 Cyl, 16V SOHC	DGC=3 Speed Automatic
	D=Chrysler		EJD,EJ0=1.6L 4 Cyl 16V, SOHC	DGL=4 Speed Automatic
	P=Plymouth		EBD,EB0=1.8L 4 Cyl 16V SEF	DG0=All Automatics
				DBB=All 5 Speed Manual

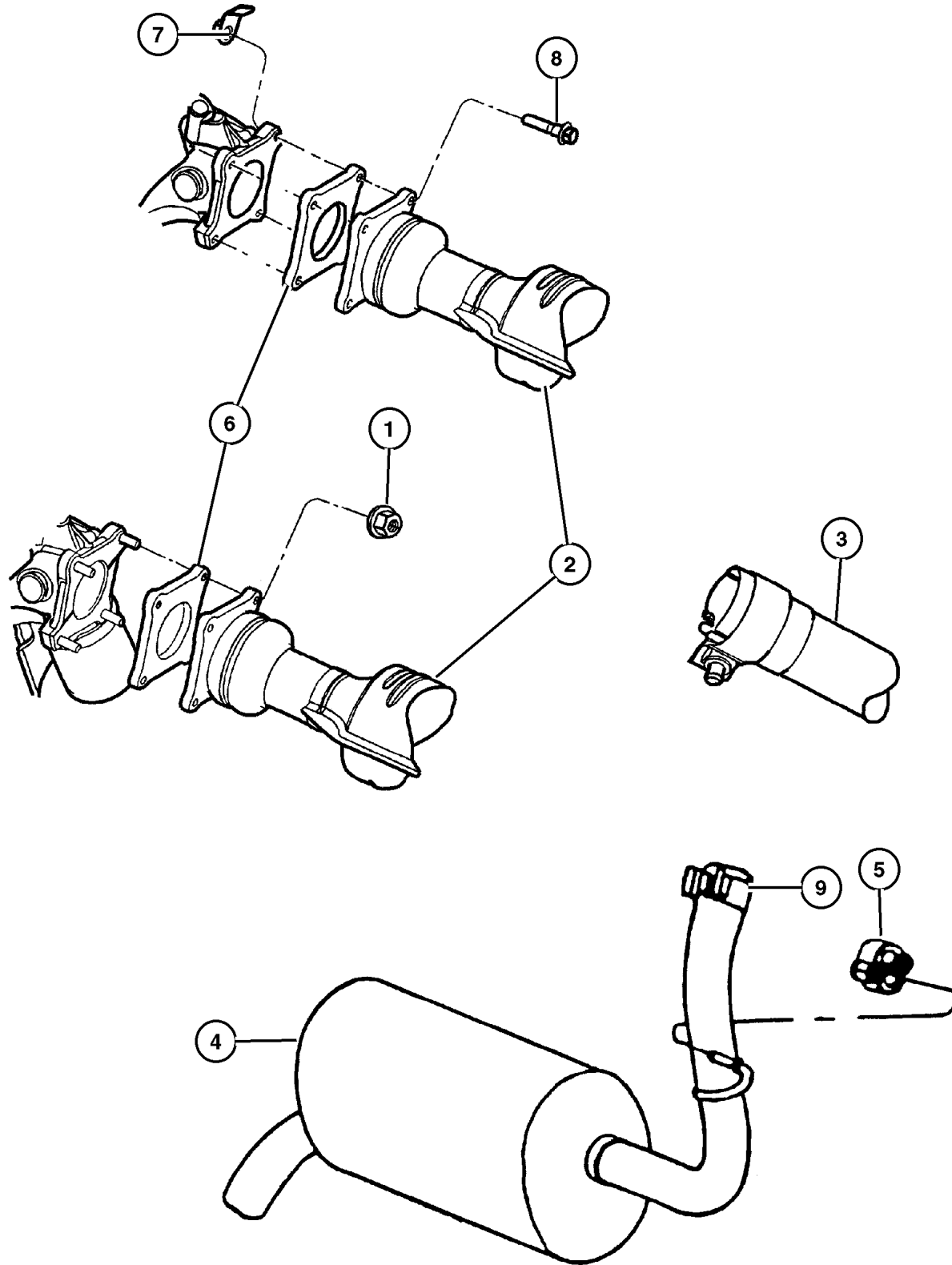
AR = Use as required - = Non illustrated part # = New this model year

May 2, 2002



Exhaust System
Figure 011-105

ITEM	PART NUMBER	QTY	LINE	SERIES	BODY	ENGINE	TRANS	DESCRIPTION
8	6100 297	4				ECB		BOLT AND CONED WASHER, Hex Head, M8x35x17
9	5278 304AA	1				ECB		CLAMP, Exhaust



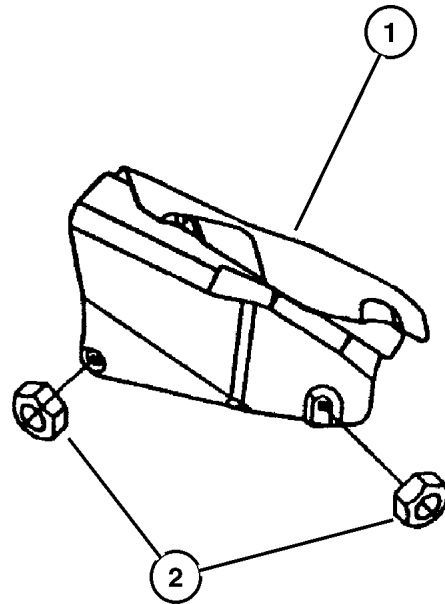
DODGE - CHRYSLER NEON (PL)				
SERIES	LINE	BODY	ENGINE	TRANSMISSION
L=Low Line	Z=Chrysler, RHD	41 = 4 Door,	ECB,EC0=2.0L 4 Cyl., 16V SMPI	DD5=5 Speed Manual
H=High Line	D=Dodge	104WB	ECH,EC0=2.0L 4 Cyl, 16V SOHC	DGC=3 Speed Automatic
	D=Chrysler		EJD,EJ0=1.6L 4 Cyl 16V, SOHC	DGL=4 Speed Automatic
	P=Plymouth		EBD,EB0=1.8L 4 Cyl 16V SEF	DG0=All Automatics
				DBB=All 5 Speed Manual

AR = Use as required - = Non illustrated part # = New this model year

May 2, 2002

Exhaust Shields PL
Figure 011-201

ITEM	PART NUMBER	QTY	LINE	SERIES	BODY	ENGINE	TRANS	DESCRIPTION
1	5278 046	1						SHIELD, Converter Underbody
2	6034 716	2						SCREW AND WASHER, Hex Flange Head, .25-14x.875
-3	4495 876	1						SHIELD, Fuel Tank
-4								SHIELD, Heat
	4656 672AA	1						Right
	4656 673AA	1						Left



DODGE - CHRYSLER NEON (PL)				
SERIES	LINE	BODY	ENGINE	TRANSMISSION
L=Low Line	Z=Chrysler, RHD	41 = 4 Door,	ECB,EC0=2.0L 4 Cyl., 16V SMPI	DD5=5 Speed Manual
H=High Line	D=Dodge	104WB	ECH,EC0=2.0L 4 Cyl, 16V SOHC	DGC=3 Speed Automatic
	D=Chrysler		EJD,EJ0=1.6L 4 Cyl 16V, SOHC	DGL=4 Speed Automatic
	P=Plymouth		EBD,EB0=1.8L 4 Cyl 16V SEF	DG0=All Automatics
				DBB=All 5 Speed Manual

AR = Use as required - = Non illustrated part # = New this model year

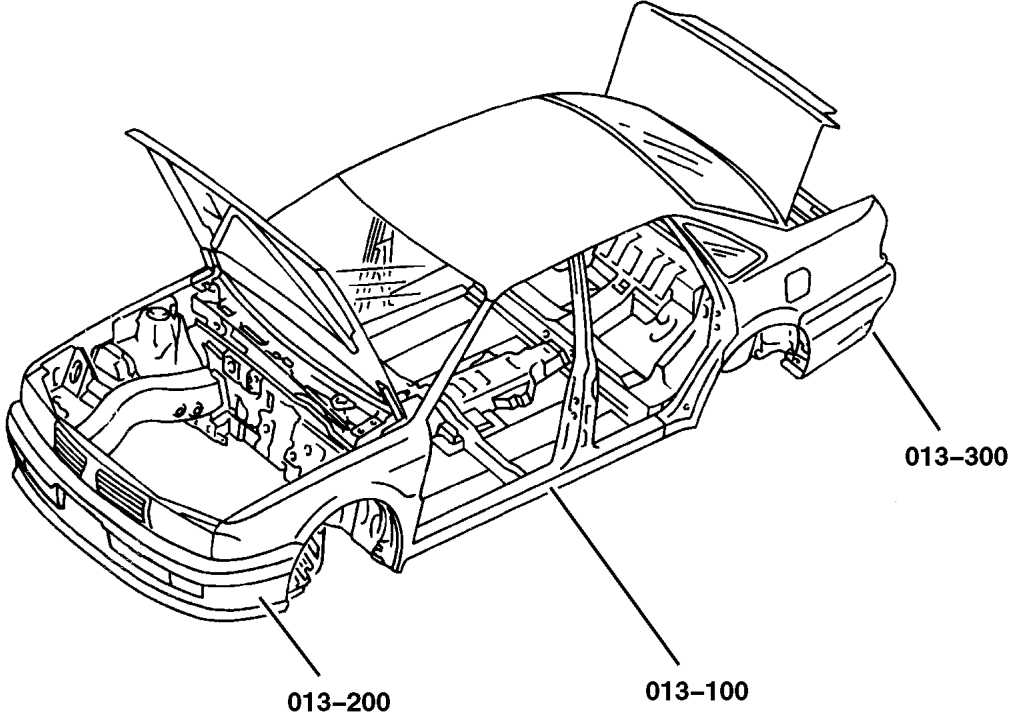
May 2, 2002

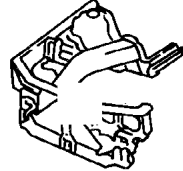
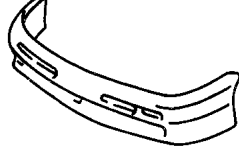

Group – 013

Frames and Bumpers

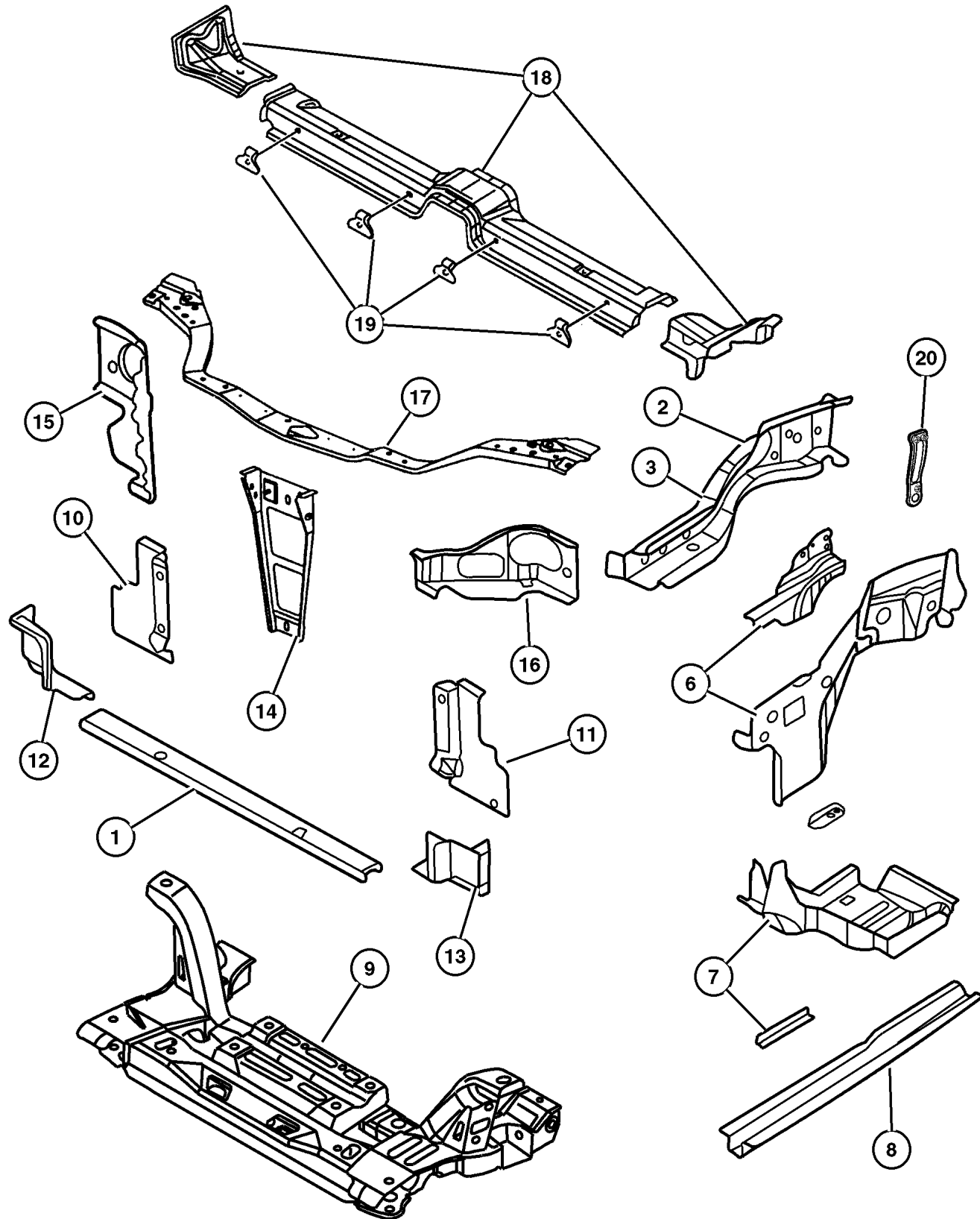
GROUP 13 - Frames and Bumpers

Illustration Title	Group-Fig. No.
Frames	
Frame, Front	Fig. 013-105
Frame, Rear	Fig. 013-135
Front Bumper and Fascia	
Fascia, Front	Fig. 013-205
Rear Bumper and Fascia	
Fascia, Rear	Fig. 013-305



<p>013-100 Frames</p> 	<p>013-200 Front Bumper and Fascia</p> 	<p>013-300 Rear Bumper and Fascia</p> 	
--	---	---	--

Frame, Front
Figure 013-105



ITEM	PART NUMBER	QTY	LINE	SERIES	BODY	DESCRIPTION
1	4783 295AD	1				CROSSMEMBER, Front Side Rail
2	5017 066AC	1				RAIL, Front Right
3	5017 067AC	1				RAIL, Front Left
-4	6506 038AA	2				SCREW, Hex Head, Crossmember to Side Rail, Front
-5	6505 595AA	2				NUT, M14X2, Front Crossmember Attaching
6						REINFORCEMENT, Front Side Rail
	#5008 446AA	1				Right
	#5008 447AA	1				Left
7						RAIL, Front Side Rail Rear
	4888 956AE	1				Right
	4888 957AE	1				Left
8	4783 490AB	2				EXTENSION, Front Side Rail
9	5272 238AG	1				CROSSMEMBER, Front Suspension
10	4783 350AE	1				PANEL, Radiator Closure, Lower, Right, Right
11	4783 351AE	1				PANEL, Radiator Closure, Lower, Left, Left
12	4783 482	1				BRACE, Radiator Crossmember, Right
13	4783 483	1				BRACE, Radiator Crossmember, Left
14	4783 465	1				SUPPORT, Radiator Closure Panel
15	4783 348AF	1				PANEL, Radiator Closure, Upper, Right, Right
16	4783 349AF	1				PANEL, Radiator Closure, Upper, Left, Left
17	4783 466AG	1				CROSSMEMBER, Radiator Closure Panel
18	5014 424AA	1				CROSSMEMBER, Front Floor, Includes Tapping Plates
19	4655 601	4				TAPPING PLATE
20	4888 915AB	1				BRACKET, Towing
-21	6101 462	3				SCREW AND WASHER, Hex Head, M8x1.25x30, Bracket to Rail

DODGE - CHRYSLER NEON (PL)

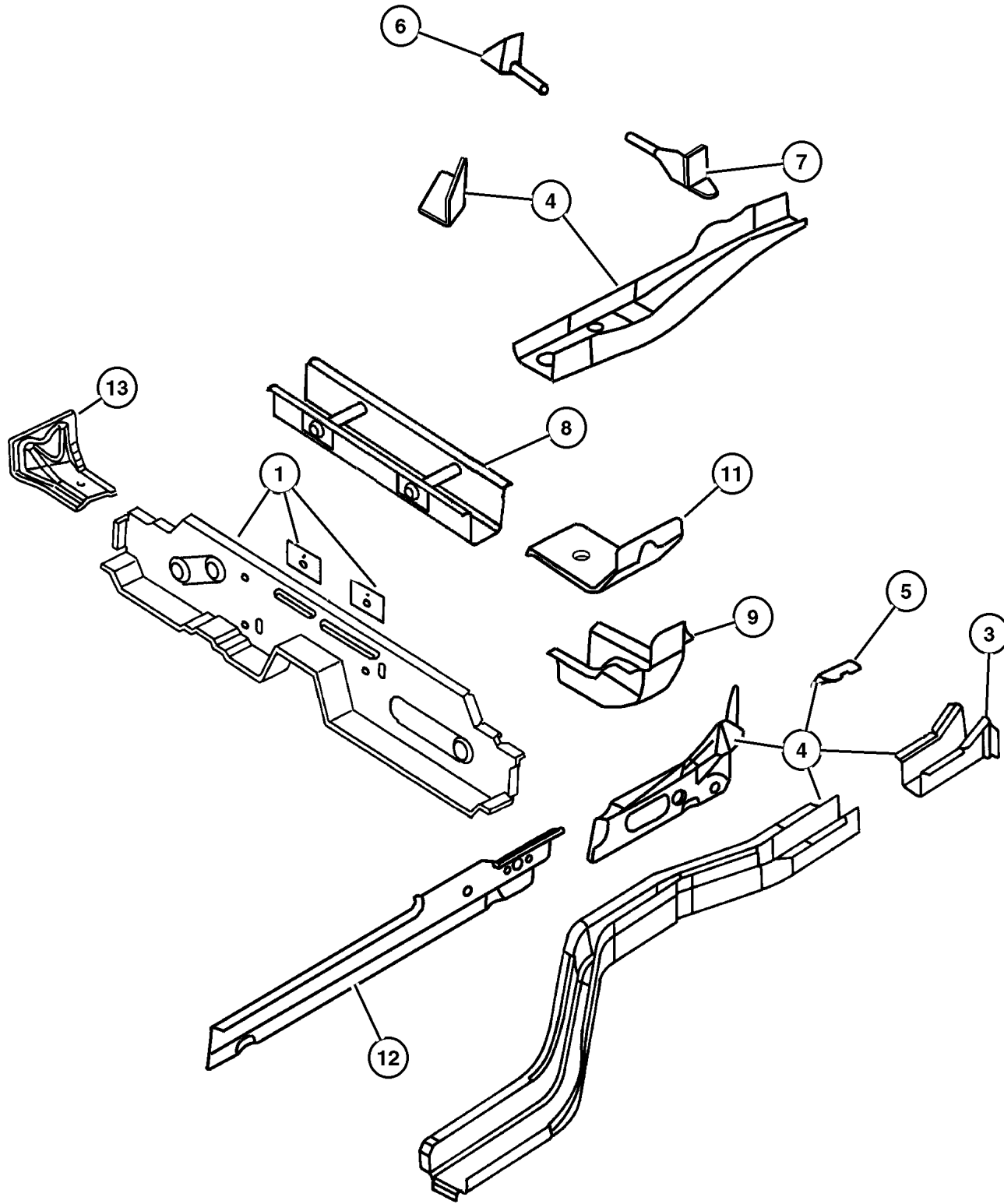
SERIES	LINE	BODY	ENGINE	TRANSMISSION
L=Low Line	Z=Chrysler, RHD	41 = 4 Door,	ECB,EC0=2.0L 4 Cyl., 16V SMPI	DD5=5 Speed Manual
H=High Line	D=Dodge	104WB	ECH,EC0=2.0L 4 Cyl, 16V SOHC	DGC=3 Speed Automatic
	D=Chrysler		EJD,EJ0=1.6L 4 Cyl 16V, SOHC	DGL=4 Speed Automatic
	P=Plymouth		EBD,EB0=1.8L 4 Cyl 16V SEF	DG0=All Automatics
				DBB=All 5 Speed Manual

AR = Use as required - = Non illustrated part # = New this model year

May 2, 2002

Frame, Rear
Figure 013-135

ITEM	PART NUMBER	QTY	LINE	SERIES	BODY	DESCRIPTION
1	5014 458AD	1				CROSSMEMBER, Rear Floor
-2						CROSSMEMBER, Front Seat Retention, Serviced in Floor Pan Assembly, (NOT SERVICED)
3						REINFORCEMENT, Bumper
	4888 610AB	1				Right
	4888 611AB	1				Left
4						RAIL, Rear Floor Pan Side
	5013 128AC	1				Right
	5013 129AC	1				Left
5	#5008 301AA	2				PLATE, Tapping
6						BRACKET, Exhaust Hanger
	4783 612AC	1				Rear, Right
	4783 613	1				Rear, Left
7	4783 615AC	1				BRACKET, Exhaust Hanger, Front
8	4783 316AC	1				CROSSMEMBER, Rear Suspension
9	4783 361	2				CROSSMEMBER, Rear Suspension, Outer
-10	4783 608AB	1				PLATE, Towing
11	4888 624AA	2				PLATE, Crossmember to Rail
12						SILL, Body Side
	#5013 126AD	1				Right
	#5013 127AD	1				Left
13						BRACE, Floor Pan To Sill
	4783 740	1				Right
	4783 741	1				Left
-14						BOLT, M10-1.50x105, Rear Bracket to Rail Attaching EXPORT, (NOT SERVICED)



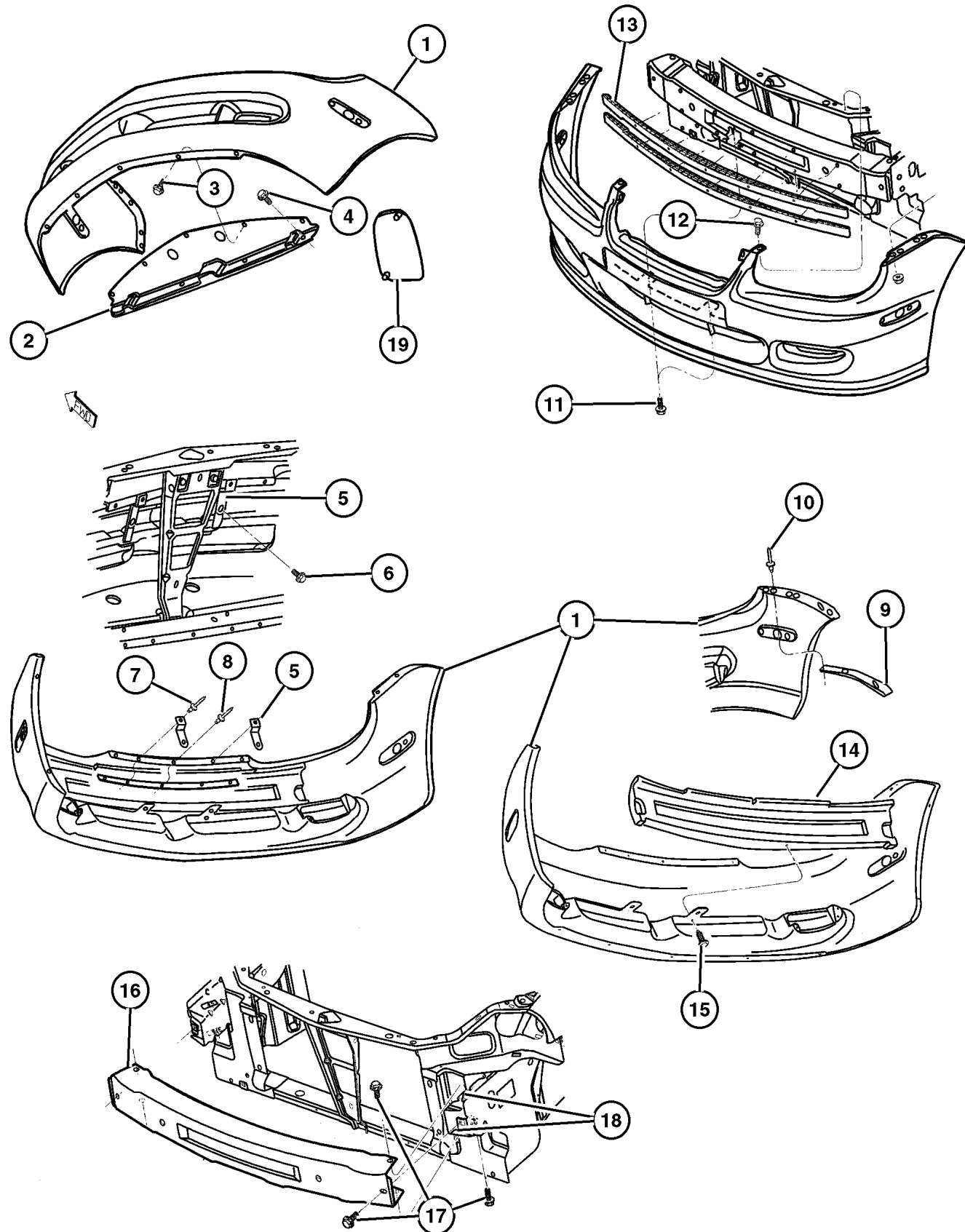
DODGE - CHRYSLER NEON (PL)

SERIES	LINE	BODY	ENGINE	TRANSMISSION
L=Low Line	Z=Chrysler, RHD	41 = 4 Door,	ECB,EC0=2.0L 4 Cyl., 16V SMPI	DD5=5 Speed Manual
H=High Line	D=Dodge	104WB	ECH,EC0=2.0L 4 Cyl, 16V SOHC	DGC=3 Speed Automatic
	D=Chrysler		EJD,EJ0=1.6L 4 Cyl 16V, SOHC	DGL=4 Speed Automatic
	P=Plymouth		EBD,EB0=1.8L 4 Cyl 16V SEF	DG0=All Automatics
				DBB=All 5 Speed Manual

AR = Use as required - = Non illustrated part # = New this model year

May 2, 2002

Fascia, Front Figure 013-205



ITEM	PART NUMBER	QTY	LINE	SERIES	BODY	DESCRIPTION
NOTE: Sales Codes: use block.						
[ASJ] = R/T GROUP use block.						
[ACR] = COMPETITION GROUP use block.						
[MLD] = FASCIA - MOLDED-IN-COLOR, FRONT use block.						
[MLW] = FASCIA - FRONT W/WIDE LICENSE POCKET use block.						
[MLX] = FASCIA - FRONT, PAINTED use block.						
[MLZ] = FASCIA - FRONT W/WIDE LICENSE POCKET use block.						
1						FASCIA, Front, Primed
	5014 480AC	1				[MLD,MLX]
	5014 544AA	1				[MLW]
	5014 557AA	1				[MLW], With Side Repeater, Amber Lens
	#5018 993AA	1				R/T Model [MLW,MLZ+LMU]
	#5018 992AA	1				R/T Model [MLW,MLZ] EUROPE
2	5288 555AB	1				AIR DAM
3						SCREW, M4.8X1.59X16.00, (NOT SERVICED)
4	6505 529AA	4				SCREW, Hex Flange Head Tapping, M6.3 x 1.81 x 22.5
5	5288 562	2				BRACKET, Fascia, [MLD,MLX]
6	6505 529AA	4				SCREW, Hex Flange Head Tapping, M6.3 x 1.81 x 22.5
7	6500 898	4				RIVET, M4.95x25, [MLD,MLX]
8	6034 944	1				RIVET, Blind, .187x.54, [MLD,MLX]
9						RETAINER, Fascia
	5288 560AC	1				Right
	5288 561AC	1				Left
10	6035 414	4				RIVET, Blind, .12x.47
11	6505 529AA	4				SCREW, Hex Flange Head Tapping, M6.3 x 1.81 x 22.5
12						SCREW, M4.8x1.59x13.00, (NOT SERVICED)
13	#5303 416AA	2				FOAM, Front Bumper Fascia, [ASJ,ACR]
14	5288 559AB	1				FOAM, Front Bumper, [MLD,MLX]
15	6503 768	1				PIN, Rear Fascia Foam, [MLD,MLX]
16						REINFORCEMENT, Front Bumper
	5288 557AB	1				[ASJ,ACR]
	#5303 414AB	1				[ASJ,ACR]
17	6505 082AA	11				SCREW AND WASHER, Hex Head, M8x1.25x54
18	6101 283	6				U-NUT, M8x1.25
19						PLUG, Front Fascia
	5288 822AA	1				[MLD,MLX], Right
	5288 823AA	1				[MLD,MLX], Left
	5288 834AA	1				[MLW], Right
	5288 835AA	1				[MLW], Left
-20						BRACKET, License Plate
	SB93 DX9AA	1				[MLD,MLX]
	#TH45 DX9AB	1				[MLW,MLZ]
	55155 764AB	1				Japan

DODGE - CHRYSLER NEON (PL)

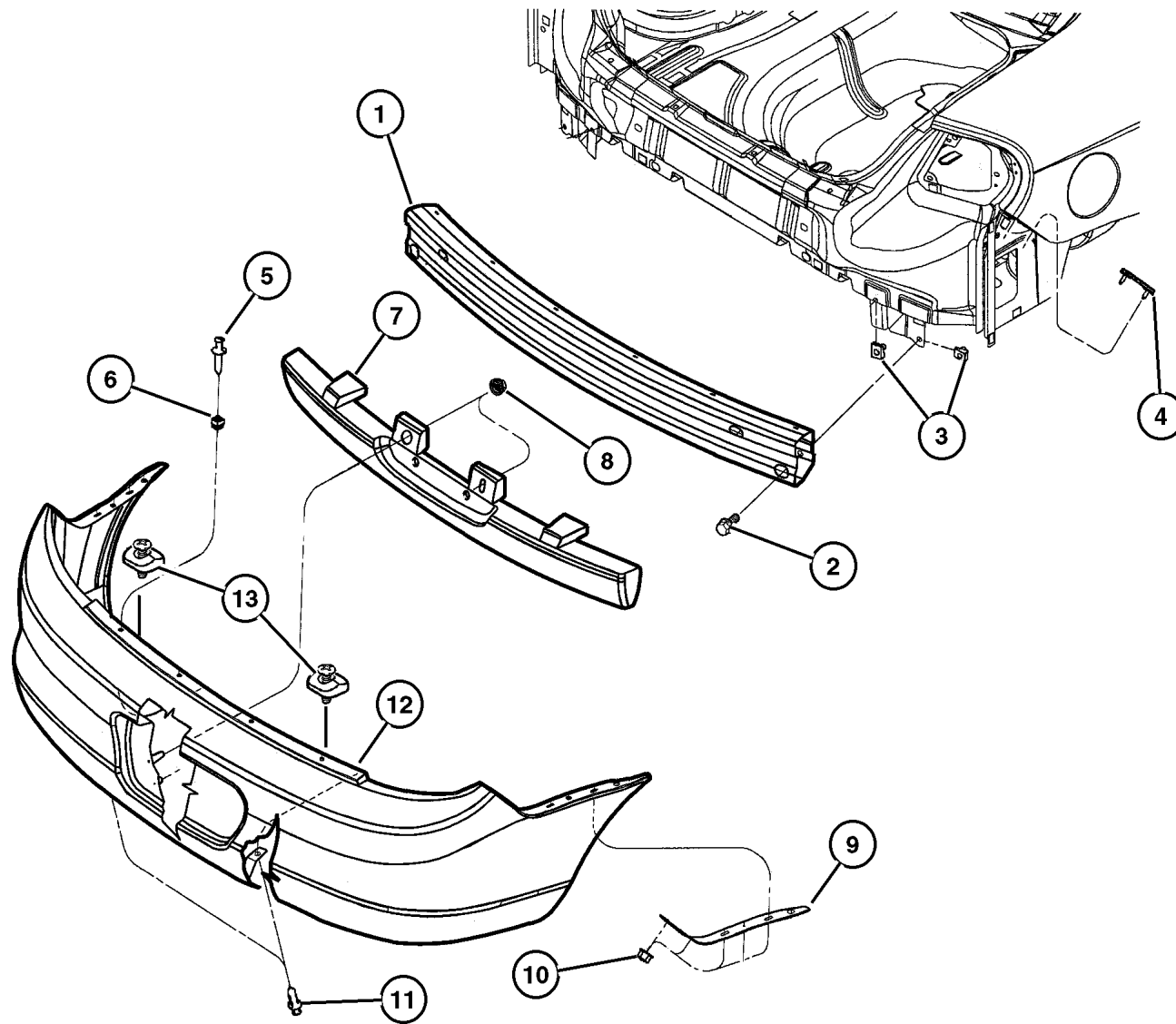
SERIES	LINE	BODY	ENGINE	TRANSMISSION
L=Low Line	Z=Chrysler, RHD	41 = 4 Door,	ECB,EC0=2.0L 4 Cyl., 16V SMPI	DD5=5 Speed Manual
H=High Line	D=Dodge	104WB	ECH,EC0=2.0L 4 Cyl, 16V SOHC	DGC=3 Speed Automatic
	D=Chrysler		EJD,EJ0=1.6L 4 Cyl 16V, SOHC	DGL=4 Speed Automatic
	P=Plymouth		EBD,EB0=1.8L 4 Cyl 16V SEF	DG0=All Automatics
				DBB=All 5 Speed Manual

AR = Use as required - = Non illustrated part # = New this model year

May 2, 2002

Fascia, Rear Figure 013-305

ITEM	PART NUMBER	QTY	LINE	SERIES	BODY	DESCRIPTION
NOTE: Sales Codes: use block.						
[ASJ] = R/T GROUP use block.						
[NEL] = BRIGHT EXHAUST TIPS use block.						
[MLP] = FASCIA -FRONT & REAR W/ACCENT STRIPE use block.						
[MLR] = FASCIA - REAR, PAINTED use block.						
1	5288 566	1				REINFORCEMENT, Rear Bumper
2	6101 804	4				SCREW AND WASHER, Hex Head, M8x1.25x30
3	6101 283	6				U-NUT, M8x1.25
4	6035 414	4				RIVET, Blind, .12x.47
5	6036 401AA	2				SCREW, .250-14x.875
6						NUT, (NOT SERVICED)
7	5288 570	1				FOAM AND TAPE, Fascia
8	6035 342	2				NUT/SPRING, Push On, ID .315 OD 1.375 THK .017
9						RETAINER, Fascia
	5288 560AC	1				Right
	5288 561AC	1				Left
10	6100 048	2				NUT, Hex, M6x1.00
11	6030 441	2				PIN, Retainer
12						FASCIA, Rear, Primed
	5012 901AB	1				[MLR] without Bright Exhaust Tip [NEL]
	#5018 994AA	1				[MLR] with Bright Exhaust Tip [NEL]
	5012 902AB	1				[MLP], Export
	#5018 995AA	1				[MLP] R/T Group [ASJ], Export
13	5008 374AB	2				BUMPER, Deck Lid Overslam



DODGE - CHRYSLER NEON (PL)

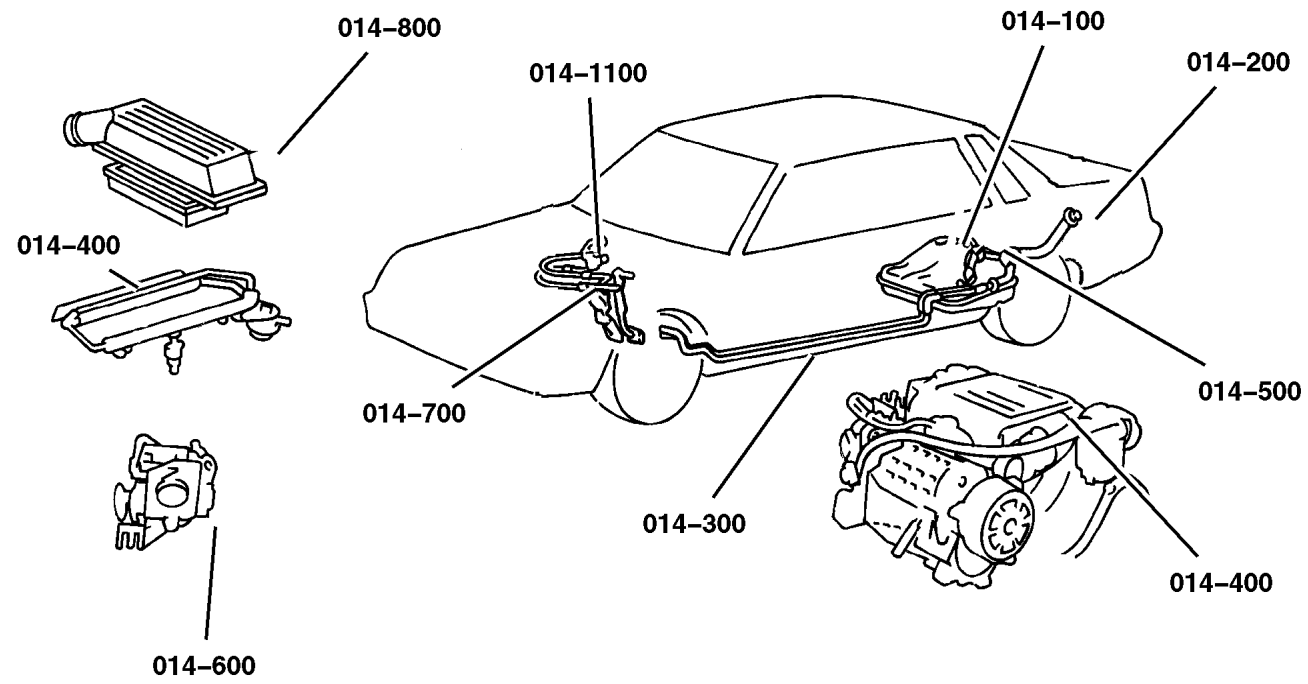
SERIES	LINE	BODY	ENGINE	TRANSMISSION
L=Low Line	Z=Chrysler, RHD	41 = 4 Door,	ECB,EC0=2.0L 4 Cyl., 16V SMPI	DD5=5 Speed Manual
H=High Line	D=Dodge	104WB	ECH,EC0=2.0L 4 Cyl, 16V SOHC	DGC=3 Speed Automatic
	D=Chrysler		EJD,EJ0=1.6L 4 Cyl 16V, SOHC	DGL=4 Speed Automatic
	P=Plymouth		EBD,EB0=1.8L 4 Cyl 16V SEF	DG0=All Automatics
				DBB=All 5 Speed Manual

AR = Use as required - = Non illustrated part # = New this model year

May 2, 2002

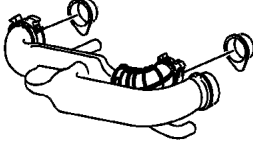
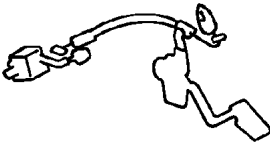

Group – 014

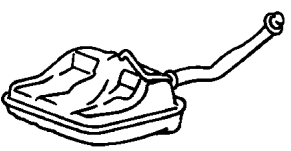
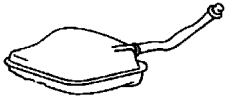
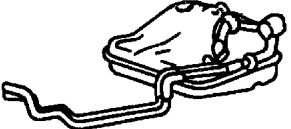
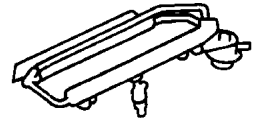
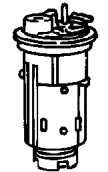

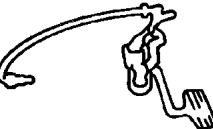
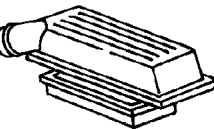
Fuel



Group – 014

Fuel

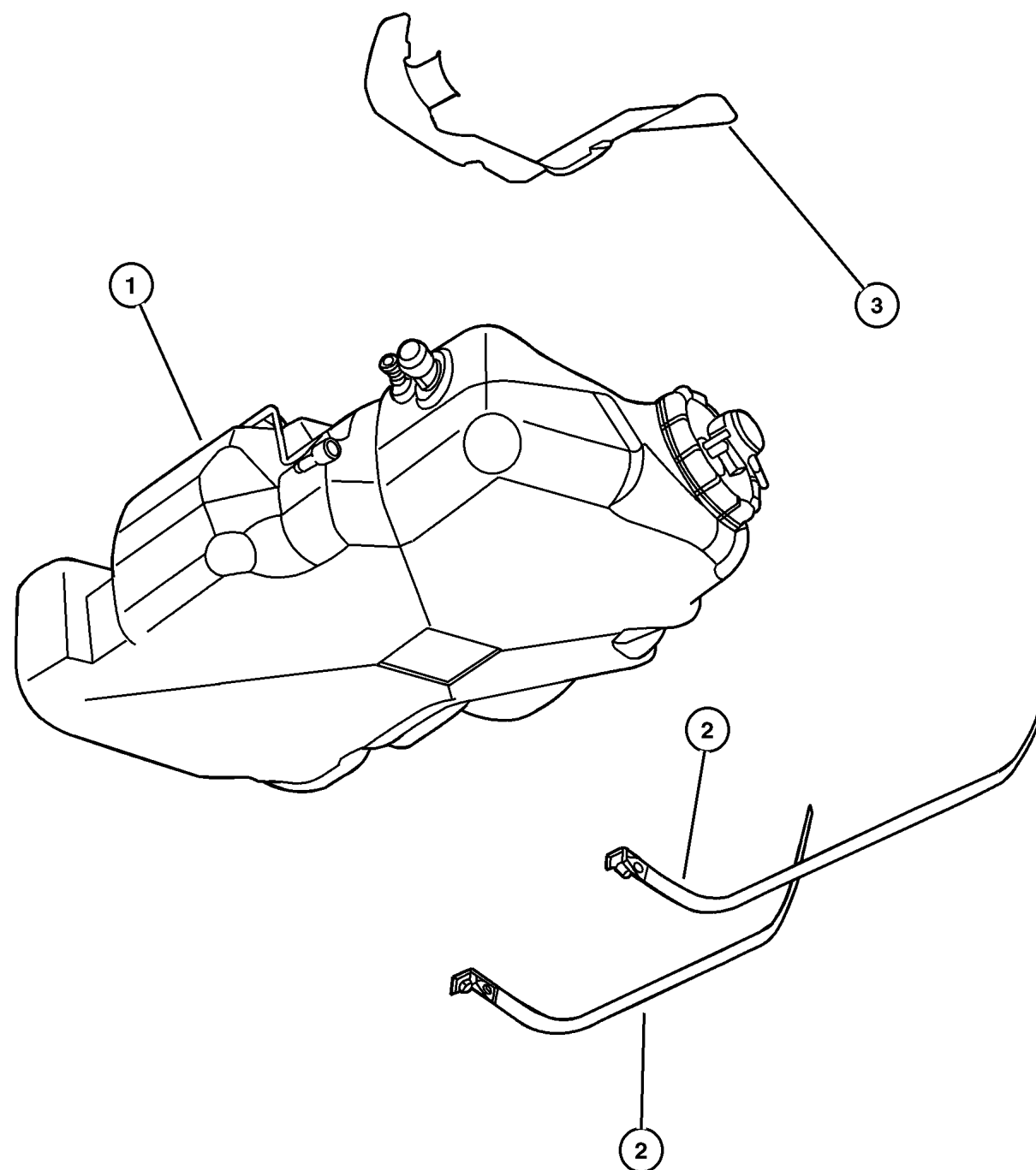
<p>014-900 Air Intake System</p> 	<p>014-1000 Speed Control</p> 	<p>014-1100 Accelerator Pedal</p> 	
---	--	--	--

<p>014-100 Tank, Fuel</p> 	<p>014-200 Fuel Tank Filler Tube</p> 	<p>014-300 Fuel Lines</p> 	<p>014-400 Fuel Rail</p> 
<p>014-500 Fuel Pump and Sending Unit</p> 	<p>014-600 Throttle Body</p> 	<p>014-700 Throttle Controls</p> 	<p>014-800 Air Cleaner</p> 

GROUP 14 - Fuel

Illustration Title	Group-Fig. No.
Tank, Fuel	
Fuel Tank PL	Fig. 014-101
Fuel Tank Filler Tube	
Fuel Filler Tube PL	Fig. 014-201
Fuel Lines	
Fuel Lines PL	Fig. 014-301
Fuel Rail	
Fuel Rail PL	Fig. 014-401
Fuel Pump and Sending Unit	
Fuel Pump and Sending Unit PL	Fig. 014-501
Throttle Body	
Throttle Body PL	Fig. 014-601
Throttle Controls	
Throttle Controls PL	Fig. 014-701
Air Cleaner	
Air Cleaner PL	Fig. 014-801
Air Intake System	
Air Intake PL	Fig. 014-901
Speed Control	
Speed Control PL	Fig. 014-1001
Accelerator Pedal	
Accelerator Pedal PL	Fig. 014-1101

Fuel Tank PL Figure 014-101



ITEM	PART NUMBER	QTY	LINE	SERIES	BODY	ENGINE	TRANS	DESCRIPTION
------	-------------	-----	------	--------	------	--------	-------	-------------

NOTE: Sales Codes use block.
 [EBD]=1.8L Engine use block.
 [ECB]=2.0L Engine use block.
 [ECH]=2.0L R/T Engine use block.
 [EJD]=1.6L Engine use block.
 use block.

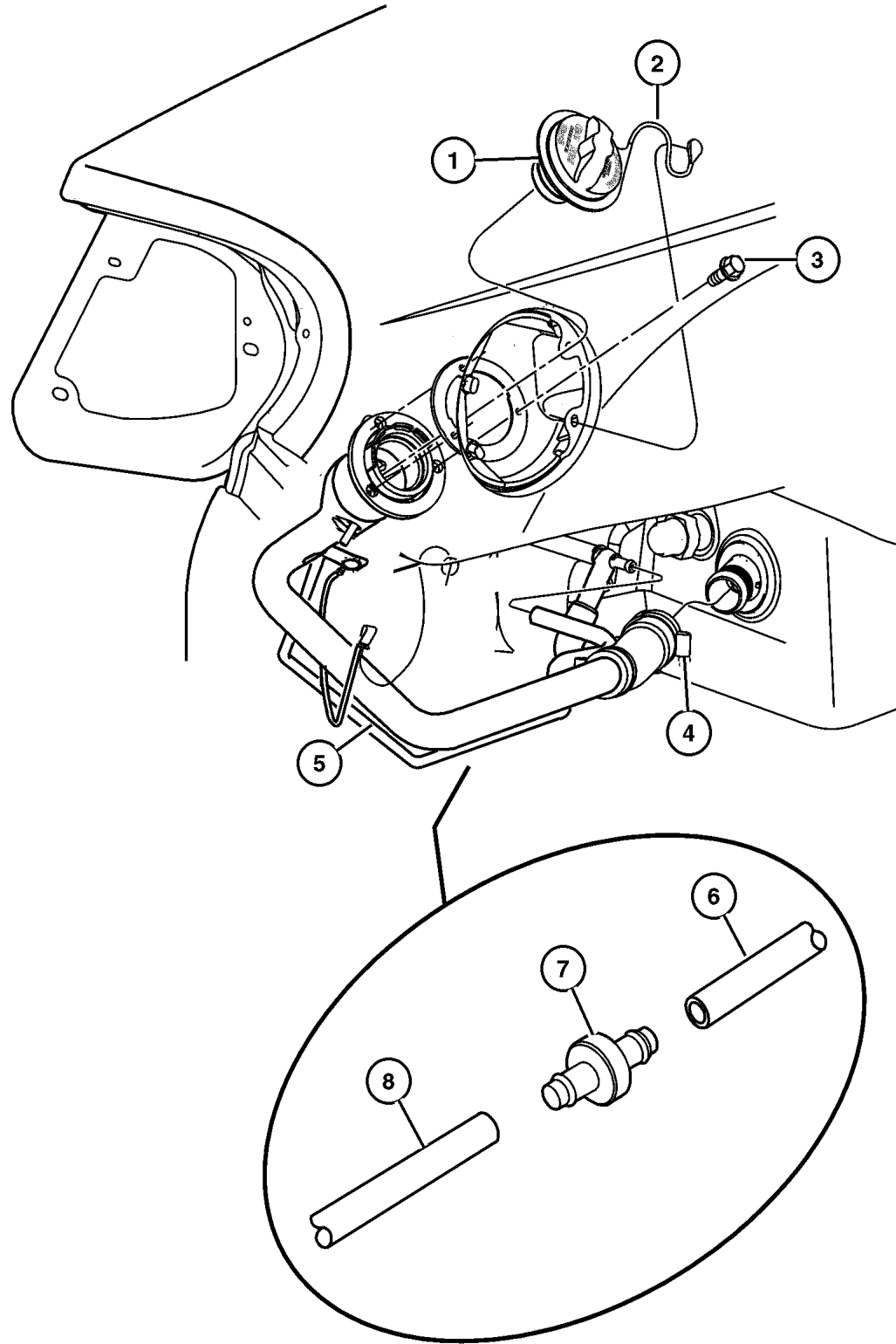
1	5017 209AA	1				EBD, ECB,		TANK, Fuel Unleaded Fuel
	5017 443AA	1				ECH, EJD, EBD, ECB,		Leaded Fuel
2	5278 012AC	1				ECH, EJD		STRAP, Fuel Tank Right
	5278 013AC	1						Left
3	5278 683AA	1				EBD, ECB, ECH, EJD		SHIELD, Fuel Tank Heat
-4	6502 863	1						SCREW AND WASHER, Hex Head, M8x1.25x35
-5	4546 886	1				EBD, ECB, ECH, EJD		CAP, Fuel Tank Drain

DODGE - CHRYSLER NEON (PL)				
SERIES	LINE	BODY	ENGINE	TRANSMISSION
L=Low Line	Z=Chrysler, RHD	41 = 4 Door,	ECB,EC0=2.0L 4 Cyl., 16V SMPI	DD5=5 Speed Manual
H=High Line	D=Dodge	104WB	ECH,EC0=2.0L 4 Cyl, 16V SOHC	DGC=3 Speed Automatic
	D=Chrysler		EJD,EJ0=1.6L 4 Cyl 16V, SOHC	DGL=4 Speed Automatic
	P=Plymouth		EBD,EB0=1.8L 4 Cyl 16V SEF	DG0=All Automatics
				DBB=All 5 Speed Manual

AR = Use as required - = Non illustrated part # = New this model year

May 2, 2002

Fuel Filler Tube PL
Figure 014-201



ITEM	PART NUMBER	QTY	LINE	SERIES	BODY	ENGINE	TRANS	DESCRIPTION
------	-------------	-----	------	--------	------	--------	-------	-------------

NOTE: Part Number 05015636AB is a package which contains the gas cap and lock cylinder uninstalled. The dealer keys the lock cylinder to the ignition key.

NOTE: Sales Codes n key.

[ECB] = 2.0L 4 Cylinder SOHC 16V SMPI Engine n key.

[EJD] = 1.6L 4 Cylinder SOHC 16V SMPI Engine n key.

1								CAP, Fuel Filler
	5278 632AA	1						Locking
	5278 679AA	1						TETHER, Fuel Filler Cap
2	4682 676	1						SCREW, Round Head, .164-15x1.00
3	0154 806	3						CLAMP, Hose
4	6505 322AA	1						TUBE, Fuel Filler ORVR
5	4546 935AE	1						NON-ORVR
	5278 307AD	1						HOSE, Fuel Filler Tube
6	5278 749AA	1						VALVE, Check
7	5278 660AA	1						HOSE, Fuel Filler Tube Vent
8	5278 489AA	1						LABEL, Unleaded Fuel Only
-9	4696 849	1				ECB, EJD		Unleaded Fuel
	#55137 352AA	1						LABEL, Fuel, Mexico Only
-10	4853 321AA	1						

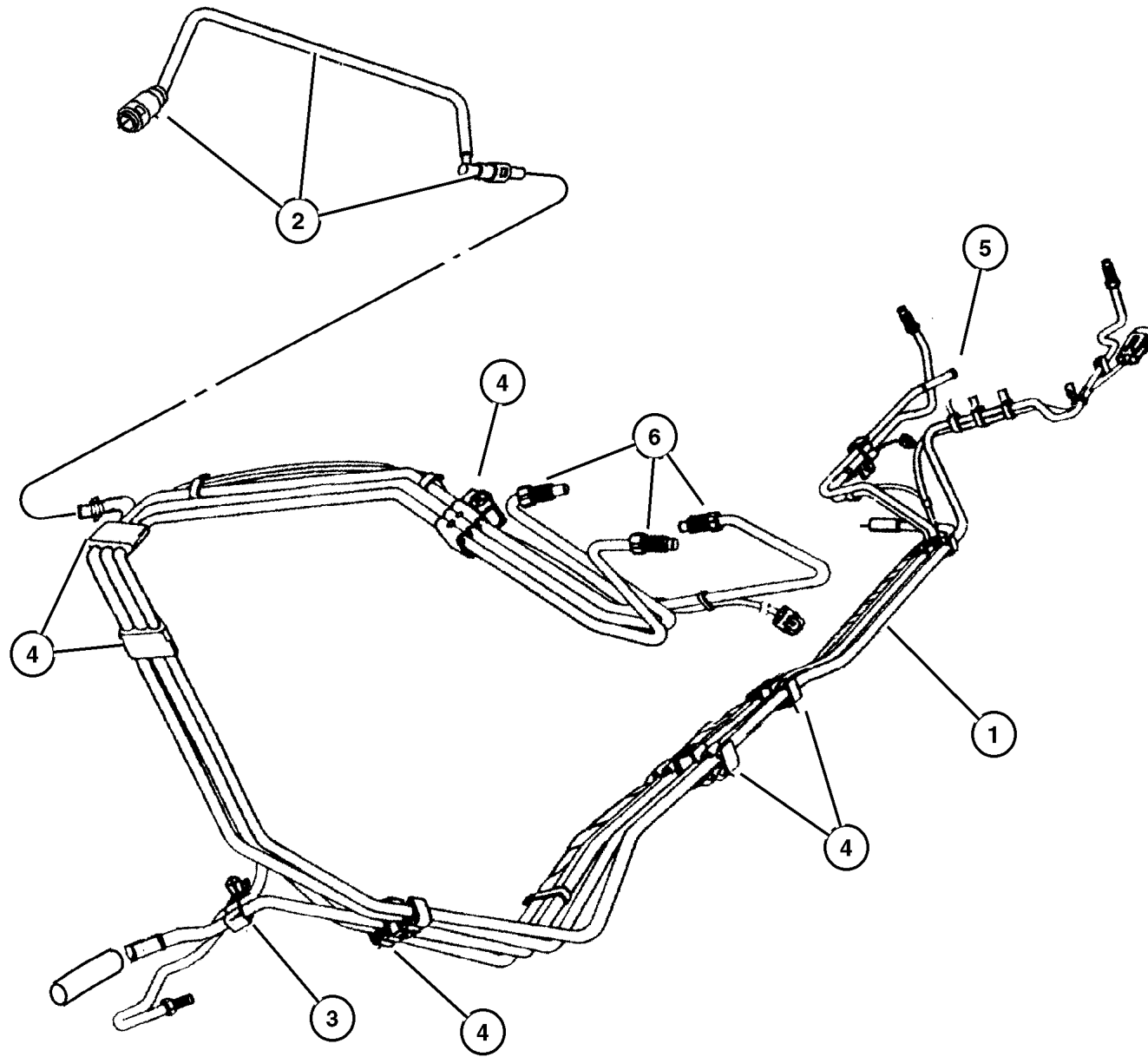
DODGE - CHRYSLER NEON (PL)

SERIES	LINE	BODY	ENGINE	TRANSMISSION
L=Low Line	Z=Chrysler, RHD	41 = 4 Door,	ECB,EC0=2.0L 4 Cyl., 16V SMPI	DD5=5 Speed Manual
H=High Line	D=Dodge	104WB	ECH,EC0=2.0L 4 Cyl, 16V SOHC	DGC=3 Speed Automatic
	D=Chrysler		EJD,EJ0=1.6L 4 Cyl 16V, SOHC	DGL=4 Speed Automatic
	P=Plymouth		EBD,EB0=1.8L 4 Cyl 16V SEF	DG0=All Automatics
				DBB=All 5 Speed Manual

AR = Use as required - = Non illustrated part # = New this model year

May 2, 2002

Fuel Lines PL
Figure 014-301



ITEM	PART NUMBER	QTY	LINE	SERIES	BODY	ENGINE	TRANS	DESCRIPTION
------	-------------	-----	------	--------	------	--------	-------	-------------

NOTE: Sales Codes n key.
 [EBD]=1.8L Engine n key.
 [ECB]=2.0L Engine n key.
 [ECH]=2.0L R/T Engine n key.
 [EJD]=1.6L Engine n key.
 [NAA]=Federal Emission n key.
 [NAB]=Leaded Fuel n key.
 [NAC]=European II Emission n key.
 [NAE]=California Emission n key.
 [NAS]=U.S. 50 States n key.
 [NA1]=Export n key.
 [NA3]=European III Emission n key.
 [NBV]=Low Emission Vehicle n key.

1	4882 229	1	D, P			EBD, ECB, ECH, EJD		TUBE, Fuel Supply Left Hand Drive
2	5015 352AA	1	Z					Right Hand Drive TUBE, Fuel Supply
	#5278 619AA	1	Z			EJD		Right Hand Drive
	#5278 620AA	1	D, P			EJD		Left Hand Drive
	#5278 672AA	1	Z			EBD, ECB, ECH		Right Hand Drive
	#5278 673AA	1	D, P			EBD, ECB, ECH		Left Hand Drive
3	4495 636	4	D, P					CLIP, Fuel Tube
4		4	Z					CLIP, Fuel Tube
	5278 496AB	1	D, P					1 tube
	5278 179AB	1	D, P					7 tube
		1	Z					7 tube
	5278 180AC	4	D, P					5 tube
		4	Z					5 tube
	5278 181AA	2	D, P					3 tube
		2	Z					3 tube
	5278 182AB	1	D, P					4 tube
	5278 218AB	1	Z					4 tube
5								TUBE, Fuel Vapor

DODGE - CHRYSLER NEON (PL)

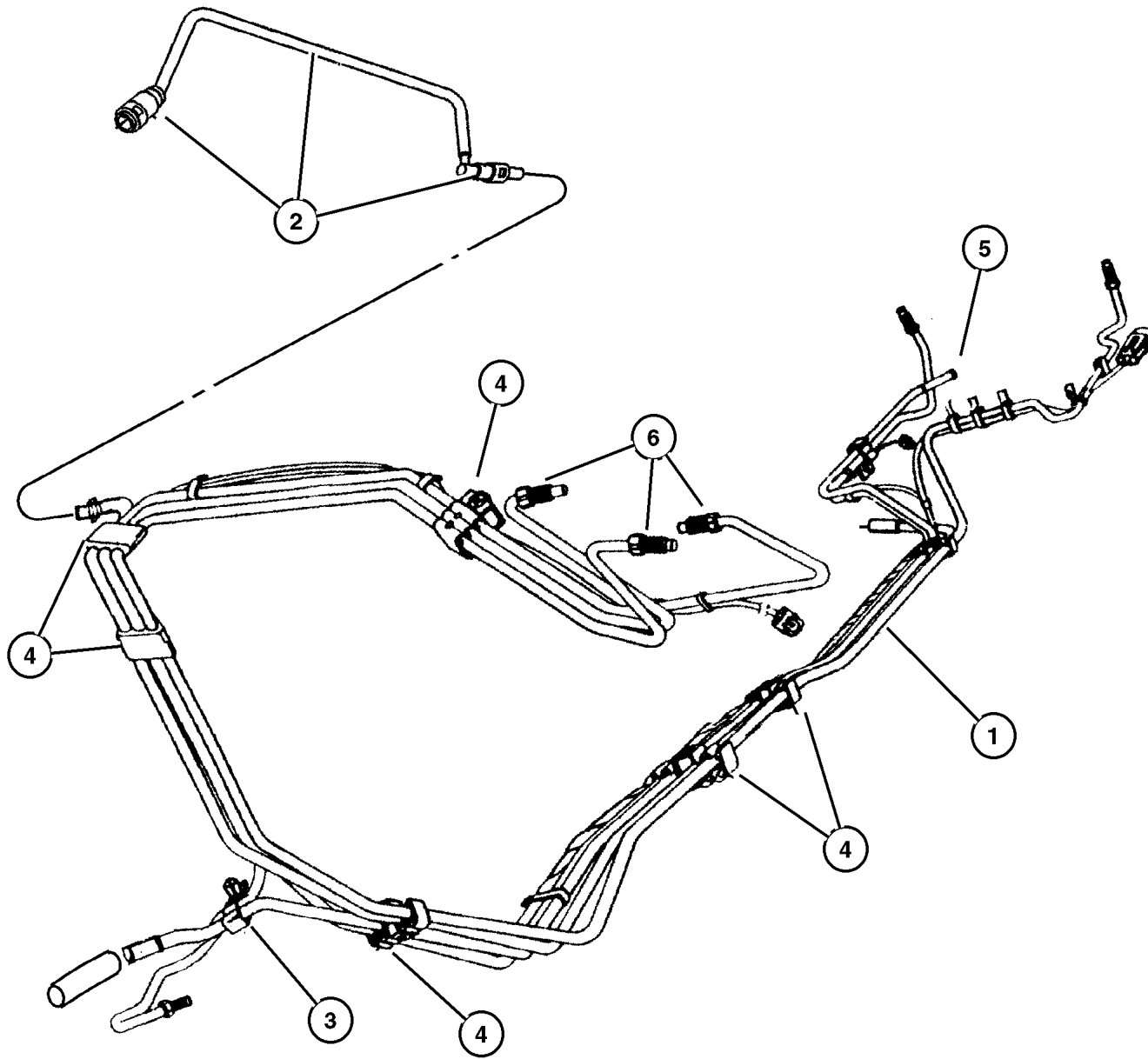
SERIES	LINE	BODY	ENGINE	TRANSMISSION
L=Low Line	Z=Chrysler, RHD	41 = 4 Door,	ECB,EC0=2.0L 4 Cyl., 16V SMPI	DD5=5 Speed Manual
H=High Line	D=Dodge	104WB	ECH,EC0=2.0L 4 Cyl, 16V SOHC	DGC=3 Speed Automatic
	D=Chrysler		EJD,EJ0=1.6L 4 Cyl 16V, SOHC	DGL=4 Speed Automatic
	P=Plymouth		EBD,EB0=1.8L 4 Cyl 16V SEF	DG0=All Automatics
				DBB=All 5 Speed Manual

AR = Use as required - = Non illustrated part # = New this model year

May 2, 2002

Fuel Lines PL
Figure 014-301

ITEM	PART NUMBER	QTY	LINE	SERIES	BODY	ENGINE	TRANS	DESCRIPTION
	4883 310	1	D, P			EBD, ECB, ECH, EJD		Left Hand Drive
	5015 353AA	1	Z					Export, Right Hand Drive
	5278 164AB	1						[NAA] [NAE] [NBV] [NAS]
	5278 173AB	1						[NAB] [NAC] [NA1] [NA3]
6								NUT
	6036 125AA	3	D, P					.375-.24x.85
		3	Z					.375-.24x.85, Right Hand Drive
	6036 126AA	3	D, P					.437-24x.825
		2	Z					.437-24x.825, Right Hand Drive
	6036 157AA	2	D, P					.437-24x.85
		2	Z					.437-24x.85, Right Hand Drive

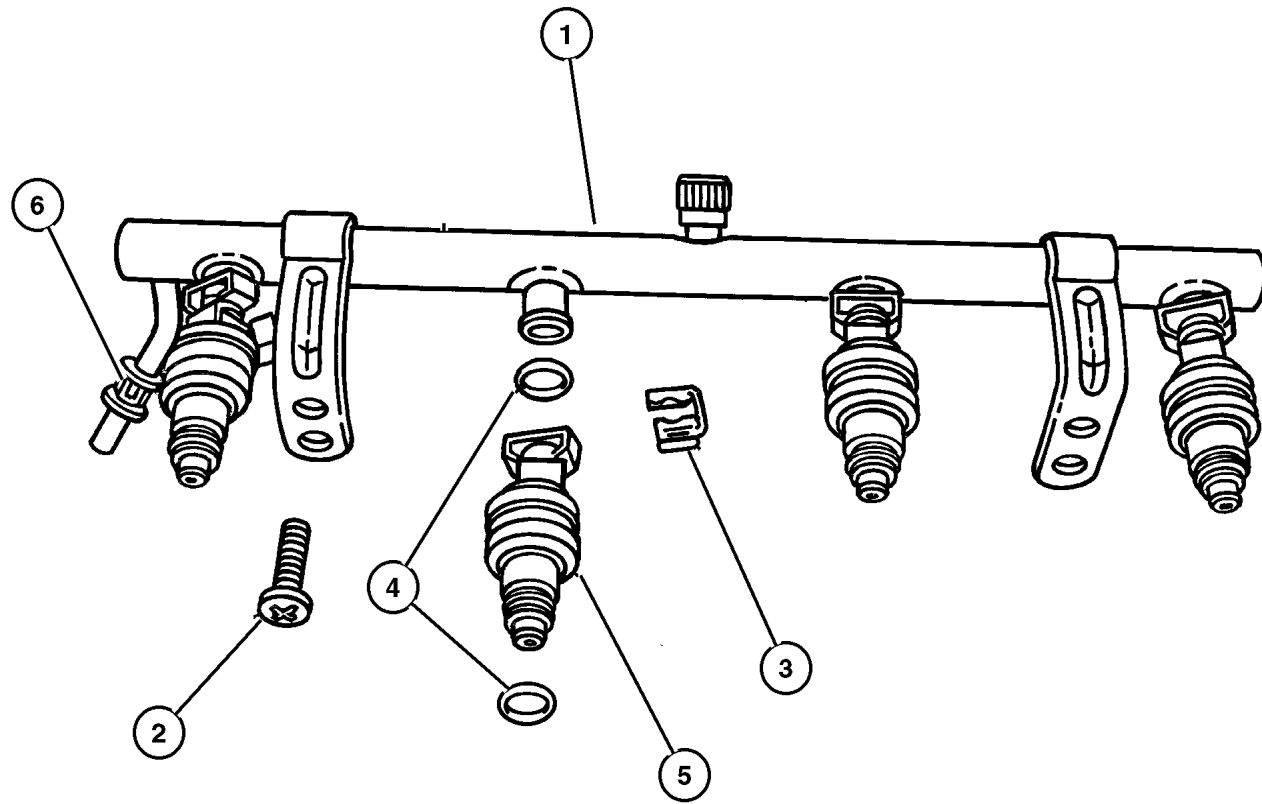


DODGE - CHRYSLER NEON (PL)				
SERIES	LINE	BODY	ENGINE	TRANSMISSION
L=Low Line	Z=Chrysler, RHD	41 = 4 Door,	ECB,EC0=2.0L 4 Cyl., 16V SMPI	DD5=5 Speed Manual
H=High Line	D=Dodge	104WB	ECH,EC0=2.0L 4 Cyl, 16V SOHC	DGC=3 Speed Automatic
	D=Chrysler		EJD,EJ0=1.6L 4 Cyl 16V, SOHC	DGL=4 Speed Automatic
	P=Plymouth		EBD,EB0=1.8L 4 Cyl 16V SEF	DG0=All Automatics
				DBB=All 5 Speed Manual

AR = Use as required - = Non illustrated part # = New this model year

May 2, 2002

**Fuel Rail PL
Figure 014-401**



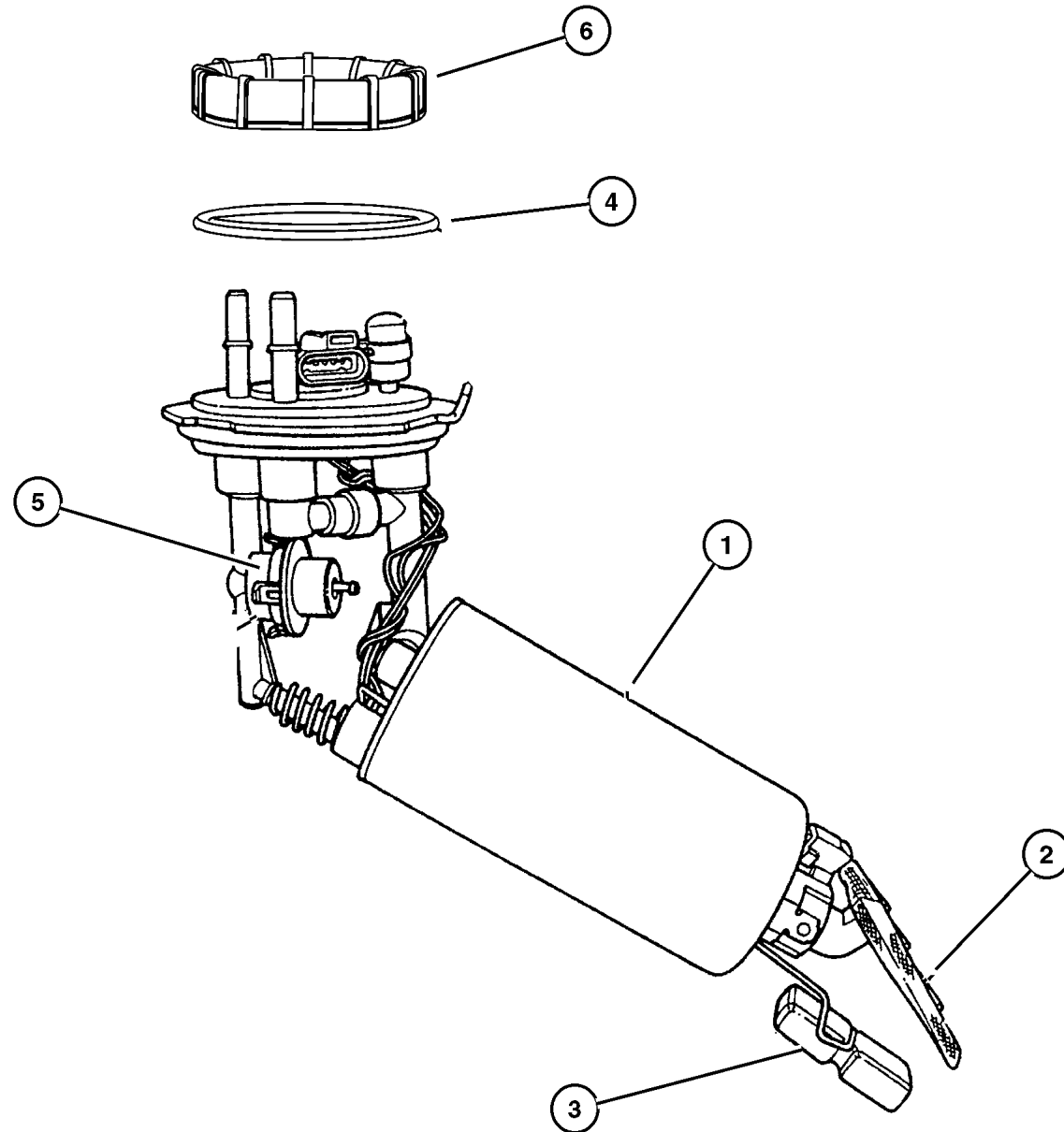
ITEM	PART NUMBER	QTY	LINE	SERIES	BODY	ENGINE	TRANS	DESCRIPTION
NOTE: Sales Codes n key.								
[EBD]=1.8L Engine n key.								
[ECB]=2.0L Engine n key.								
[ECH]=2.0L R/T Engine n key.								
[EJD]=1.6L Engine n key.								
1								RAIL, Fuel
	#4891 338AA	1				EJD		
	5014 312AA	1				ECB		
2								STUD, Fuel Rail Attach, M8x1.25x38.8
	6505 873AA	2				EJD		
		2				ECB		
3								CLIP, Fuel Injector
	#4891 448AA	4				EJD		
	4418 257AB	4				ECB		
4								O RING KIT, Fuel Injector
	4897 125AA	4				ECB		
		4				EJD		
		4				EBD		
5								INJECTOR, Fuel
	#4891 190AA	4				EJD		
	4891 345AA	4				ECB		
6								RETAINER PACKAGE, Quick Connect
	4762 643	1				ECH		
		1				ECB		
		1				EBD		

DODGE - CHRYSLER NEON (PL)				
SERIES	LINE	BODY	ENGINE	TRANSMISSION
L=Low Line	Z=Chrysler, RHD	41 = 4 Door,	ECB,EC0=2.0L 4 Cyl., 16V SMPI	DD5=5 Speed Manual
H=High Line	D=Dodge	104WB	ECH,EC0=2.0L 4 Cyl, 16V SOHC	DGC=3 Speed Automatic
	D=Chrysler		EJD,EJ0=1.6L 4 Cyl 16V, SOHC	DGL=4 Speed Automatic
	P=Plymouth		EBD,EB0=1.8L 4 Cyl 16V SEF	DG0=All Automatics
				DBB=All 5 Speed Manual

AR = Use as required - = Non illustrated part # = New this model year

May 2, 2002

Fuel Pump and Sending Unit PL
Figure 014-501



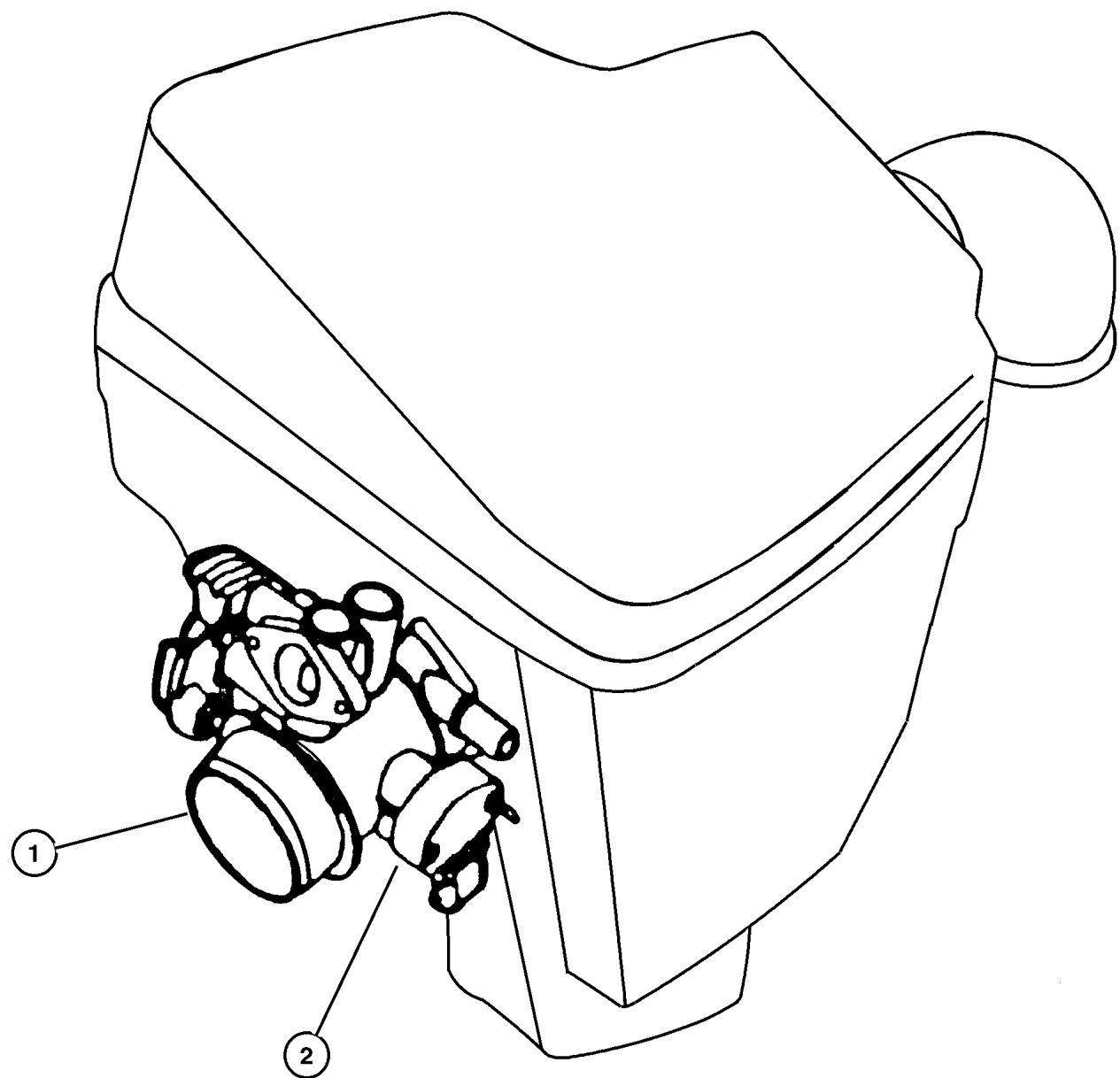
ITEM	PART NUMBER	QTY	LINE	SERIES	BODY	ENGINE	TRANS	DESCRIPTION
NOTE: Sales Codes n key.								
[EBD]=1.8L Engine n key.								
[ECB]=2.0L Engine n key.								
[ECH]=2.0L R/T Engine n key.								
[EJD]=1.6L Engine n key.								
[NAC]=European II n key.								
1								MODULE KIT, Fuel Pump/Level Unit
	#5018 697AA	1						without NAC, European II
	#5018 704AA	1						NAC, European II
2								FILTER KIT, Fuel
	4897 416AB	1						without NAC, European II
	5010 476AA	1						NAC, European II
3	5014 353AA	1						LEVEL UNIT KIT, Fuel
4	4546 692	1						SEAL, Fuel Pump and Level Unit
5	5278 631AA	1						FILTER, Fuel Pressure Regulator
6	5200 5389	1						NUT, Fuel Pump Module

DODGE - CHRYSLER NEON (PL)				
SERIES	LINE	BODY	ENGINE	TRANSMISSION
L=Low Line	Z=Chrysler, RHD	41 = 4 Door,	ECB,EC0=2.0L 4 Cyl., 16V SMPI	DD5=5 Speed Manual
H=High Line	D=Dodge	104WB	ECH,EC0=2.0L 4 Cyl, 16V SOHC	DGC=3 Speed Automatic
	D=Chrysler		EJD,EJ0=1.6L 4 Cyl 16V, SOHC	DGL=4 Speed Automatic
	P=Plymouth		EBD,EB0=1.8L 4 Cyl 16V SEF	DG0=All Automatics
				DBB=All 5 Speed Manual

AR = Use as required - = Non illustrated part # = New this model year

May 2, 2002

Throttle Body PL
Figure 014-601



ITEM	PART NUMBER	QTY	LINE	SERIES	BODY	ENGINE	TRANS	DESCRIPTION
------	-------------	-----	------	--------	------	--------	-------	-------------

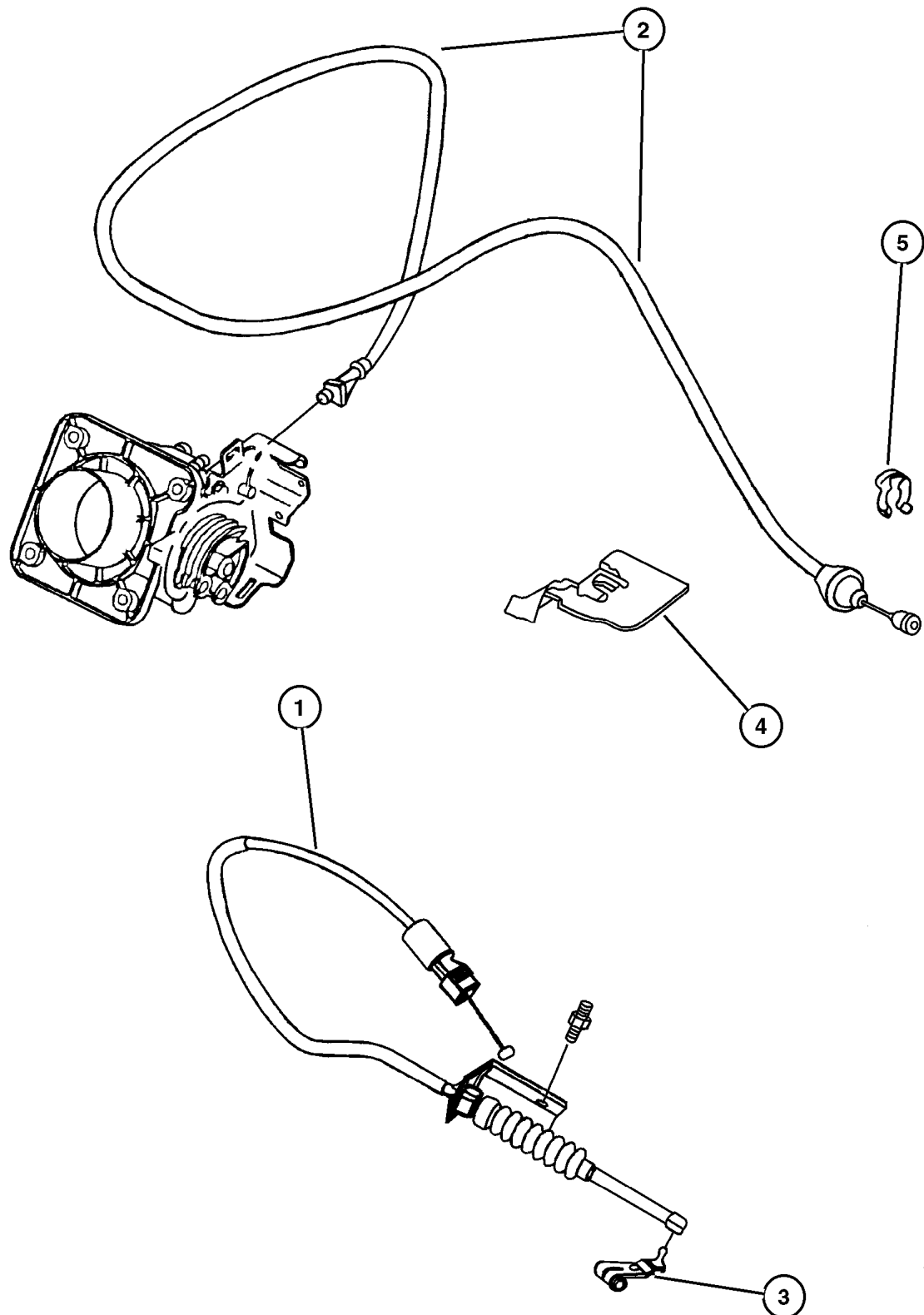
NOTE: Sales Codes n key.
 [DD5]=5 Speed Manual Trans n key.
 [DGC]=3 Speed Auto Trans n key.
 [DGL]=4 Speed Auto Trans n key.
 [EBD]=1.8L Engine n key.
 [ECB]=2.0L Engine n key.
 [ECH]=2.0L R/T Engine n key.
 [EJD]=1.6L Engine n key.

ITEM	PART NUMBER	QTY	LINE	SERIES	BODY	ENGINE	TRANS	DESCRIPTION
1								THROTTLE BODY
	#4777 860AA	1				EJD		Electronically Controlled
	#4891 278AA	1				ECB	DGL	Automatic DGL
	#4891 374AA	1				ECB	DGC	Automatic DGC
	#4891 375AA	1				ECB,	DD5	Manual Trans
						ECH		
2								SENSOR KIT, Throttle Position
	4874 430AB	1				ECB	DGL	
		1				ECB	DGC	
		1				EBD,	DD5	
						ECB,		
						ECH		
-3								SCREW, Hex Flange Head, M6.3x1.81x16
	6101 976	2				ECB,		
						ECH,		
						EJD		
		4				EJD		
-4								SOLENOID KIT, Linear IACV
	#5014 116AA	1				ECB,	DD5	
						ECH		
		1				ECB	DGL	
		1				ECB	DGC	

DODGE - CHRYSLER NEON (PL)				
SERIES	LINE	BODY	ENGINE	TRANSMISSION
L=Low Line	Z=Chrysler, RHD	41 = 4 Door,	ECB,EC0=2.0L 4 Cyl., 16V SMPI	DD5=5 Speed Manual
H=High Line	D=Dodge	104WB	ECH,EC0=2.0L 4 Cyl, 16V SOHC	DGC=3 Speed Automatic
	D=Chrysler		EJD,EJ0=1.6L 4 Cyl 16V, SOHC	DGL=4 Speed Automatic
	P=Plymouth		EBD,EB0=1.8L 4 Cyl 16V SEF	DG0=All Automatics
				DBB=All 5 Speed Manual

AR = Use as required - = Non illustrated part # = New this model year

**Throttle Controls PL
Figure 014-701**



ITEM	PART NUMBER	QTY	LINE	SERIES	BODY	ENGINE	TRANS	DESCRIPTION
------	-------------	-----	------	--------	------	--------	-------	-------------

NOTE: Sales Codes n key.
 [DD5]=5 Speed Manual Trans n key.
 [DGC]=3 Speed Auto Trans n key.
 [DGL]=4 Speed Auto Trans n key.
 [EBD]=1.8L Engine n key.
 [ECB]=2.0L Engine n key.
 [ECH]=2.0L R/T Engine n key.
 [EJD]=1.6L Engine n key.

1	4891 365AB	1				ECB	DGC	CABLE, Auto. Trans. Kickdown
2								CABLE, Throttle Control
	4669 790AD	1	D, P			ECB	DGC	
	4669 967AB	1	Z			ECB	DGC	Right Hand Drive
	4891 250AB	1	Z			EBD,	DD5,	Right Hand Drive
						ECB	DGL	
	4891 251AD	1	D, P			EBD,	DD5,	
						ECB	DGL	
	#4891 555AA	1	D, P			EJD		
	#4891 658AA	1	Z			EJD		Right Hand Drive
3	5240 826AB	1				ECB	DGC	LEVER, Auto Trans Throttle Control
4	4669 966AC	1				EBD,		SHIELD, Throttle Control
						ECB,		
5	5214 613	1				ECH		CLIP, Cable
						EBD,		
						ECB,		
						ECH,		
						EJD		

DODGE - CHRYSLER NEON (PL)				
SERIES	LINE	BODY	ENGINE	TRANSMISSION
L=Low Line	Z=Chrysler, RHD	41 = 4 Door,	ECB,EC0=2.0L 4 Cyl., 16V SMPI	DD5=5 Speed Manual
H=High Line	D=Dodge	104WB	ECH,EC0=2.0L 4 Cyl, 16V SOHC	DGC=3 Speed Automatic
	D=Chrysler		EJD,EJ0=1.6L 4 Cyl 16V, SOHC	DGL=4 Speed Automatic
	P=Plymouth		EBD,EB0=1.8L 4 Cyl 16V SEF	DG0=All Automatics
				DBB=All 5 Speed Manual

AR = Use as required - = Non illustrated part # = New this model year

May 2, 2002

Air Cleaner PL
Figure 014-801

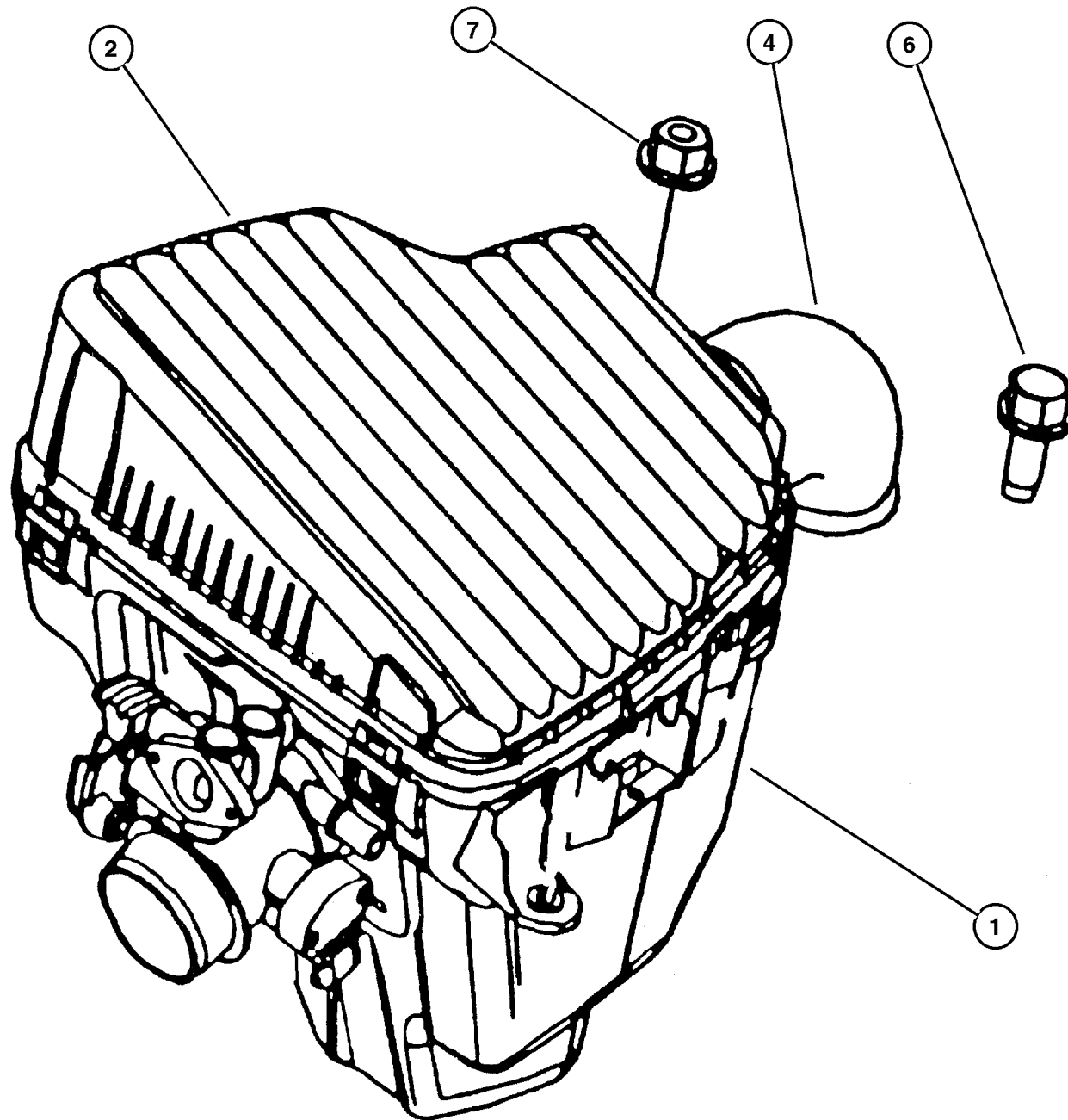
ITEM	PART NUMBER	QTY	LINE	SERIES	BODY	ENGINE	TRANS	DESCRIPTION
NOTE: Sales Codes n key.								
[DD5]=5 Speed Manual Trans n key.								
[DGC]=3 Speed Auto Trans n key.								
[DGL]=4 Speed Auto Trans n key.								
[EBD]=1.8L Engine n key.								
[ECB]=2.0L Engine n key.								
[ECH]=2.0L R/T Engine n key.								
[EJD]=1.6L Engine n key.								
1								BODY, Air Cleaner
	4891 317AA	1				ECB,	DD5	
		1				ECH		
		1				ECB	DGL	
		1				EJD		
		1				ECB	DGC	
2								COVER, Air Cleaner
	4891 021AA	1				ECB	DGL	
		1				EJD		
		1				ECB	DGC	
		1				ECB,	DD5	
						ECH		
-3								FILTER, Air
	4891 097AA	1				ECB	DGL	
		1				ECB	DGC	
		1				EJD		
		1				ECB,	DD5	
						ECH		
4								DUCT, Air Cleaner to Resonator
	4891 032AB	1				ECB	DGL	
		1				EJD		
		1				ECB,	DD5	
						ECH		
		1				ECB	DGC	
-5								COVER, Injector Harness
	4891 356AB	1				ECB		
	4891 410AB	1				ECH		
	#4891 522AA	1				EJD		
6	6102 039AA	1						SCREW, Air Cleaner Mounting - Frt., M6. 3x1.81x30.00
7	3420 1358	1						NUT AND WASHER, Hex Nut-Sealing Washer, M6 x 1.00
-8								SCREW, Air Cleaner Cover
	5066 221AA	5				ECB	DGC	

DODGE - CHRYSLER NEON (PL)

SERIES	LINE	BODY	ENGINE	TRANSMISSION
L=Low Line	Z=Chrysler, RHD	41 = 4 Door,	ECB,EC0=2.0L 4 Cyl., 16V SMPI	DD5=5 Speed Manual
H=High Line	D=Dodge	104WB	ECH,EC0=2.0L 4 Cyl, 16V SOHC	DGC=3 Speed Automatic
	D=Chrysler		EJD,EJ0=1.6L 4 Cyl 16V, SOHC	DGL=4 Speed Automatic
	P=Plymouth		EBD,EB0=1.8L 4 Cyl 16V SEF	DG0=All Automatics
				DBB=All 5 Speed Manual

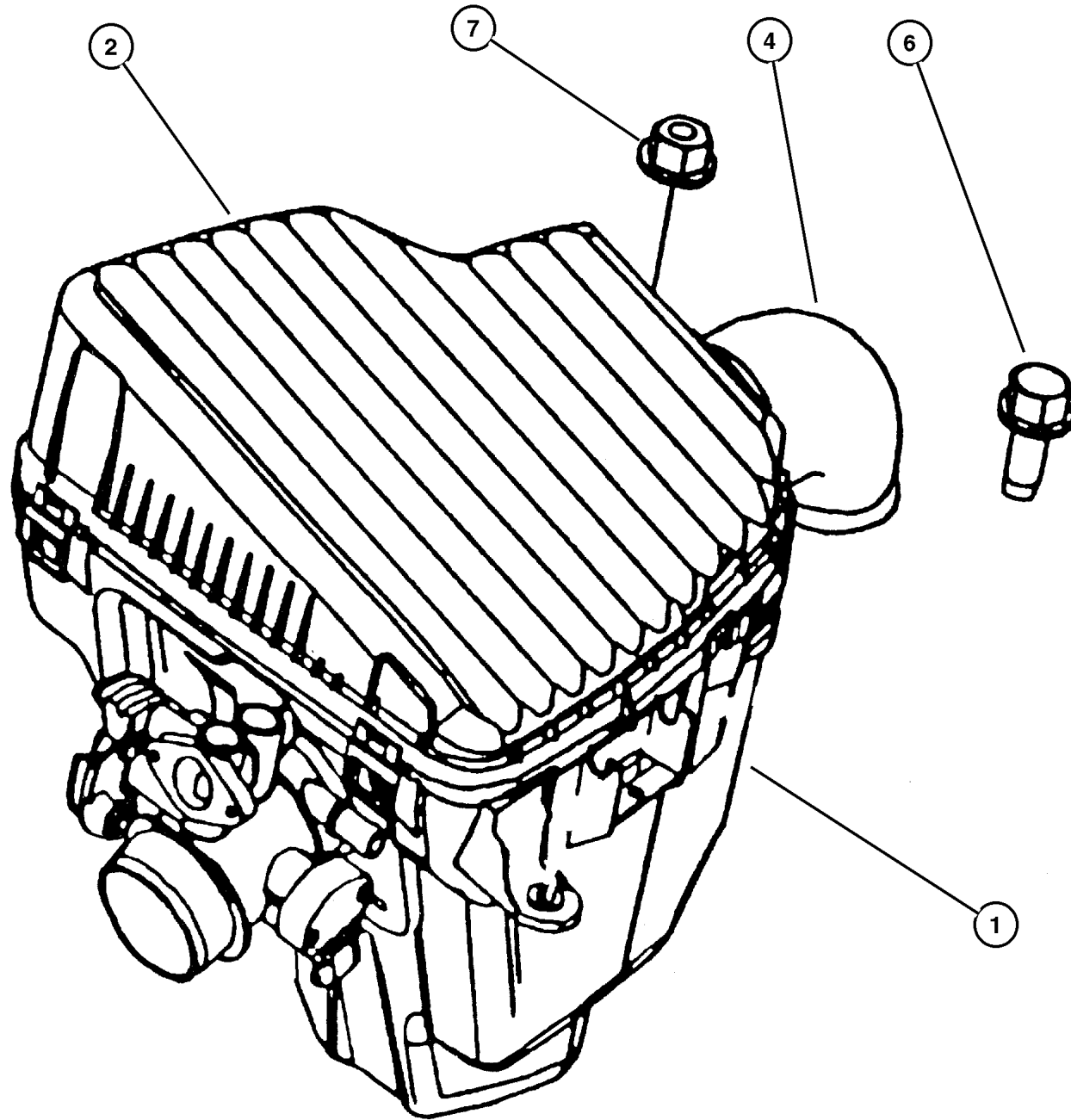
AR = Use as required - = Non illustrated part # = New this model year

May 2, 2002



**Air Cleaner PL
Figure 014-801**

ITEM	PART NUMBER	QTY	LINE	SERIES	BODY	ENGINE	TRANS	DESCRIPTION
		5				ECB	DGL	
		5				ECB, ECH	DD5	
		5				EJD		
-9	4669 177	2				ECB, ECH, EJD		GROMMET, Air Cleaner Bracket
-10	4300 052	1				EBD, ECB, EJD		BUMPER, Air Cleaner to Rocker
-11	4573 049	2				ECB, EJD		ISOLATOR, Air Cleaner Mounting Leg
-12	4573 211AB	2				ECB, EJD		BUSHING, Isolator Mounting Leg



DODGE - CHRYSLER NEON (PL)

SERIES	LINE	BODY	ENGINE	TRANSMISSION
L=Low Line	Z=Chrysler, RHD	41 = 4 Door,	ECB,EC0=2.0L 4 Cyl., 16V SMPI	DD5=5 Speed Manual
H=High Line	D=Dodge	104WB	ECH,EC0=2.0L 4 Cyl, 16V SOHC	DGC=3 Speed Automatic
	D=Chrysler		EJD,EJ0=1.6L 4 Cyl 16V, SOHC	DGL=4 Speed Automatic
	P=Plymouth		EBD,EB0=1.8L 4 Cyl 16V SEF	DG0=All Automatics
				DBB=All 5 Speed Manual

AR = Use as required - = Non illustrated part # = New this model year

May 2, 2002

**Air Intake PL
Figure 014-901**

ITEM	PART NUMBER	QTY	LINE	SERIES	BODY	ENGINE	TRANS	DESCRIPTION
------	-------------	-----	------	--------	------	--------	-------	-------------

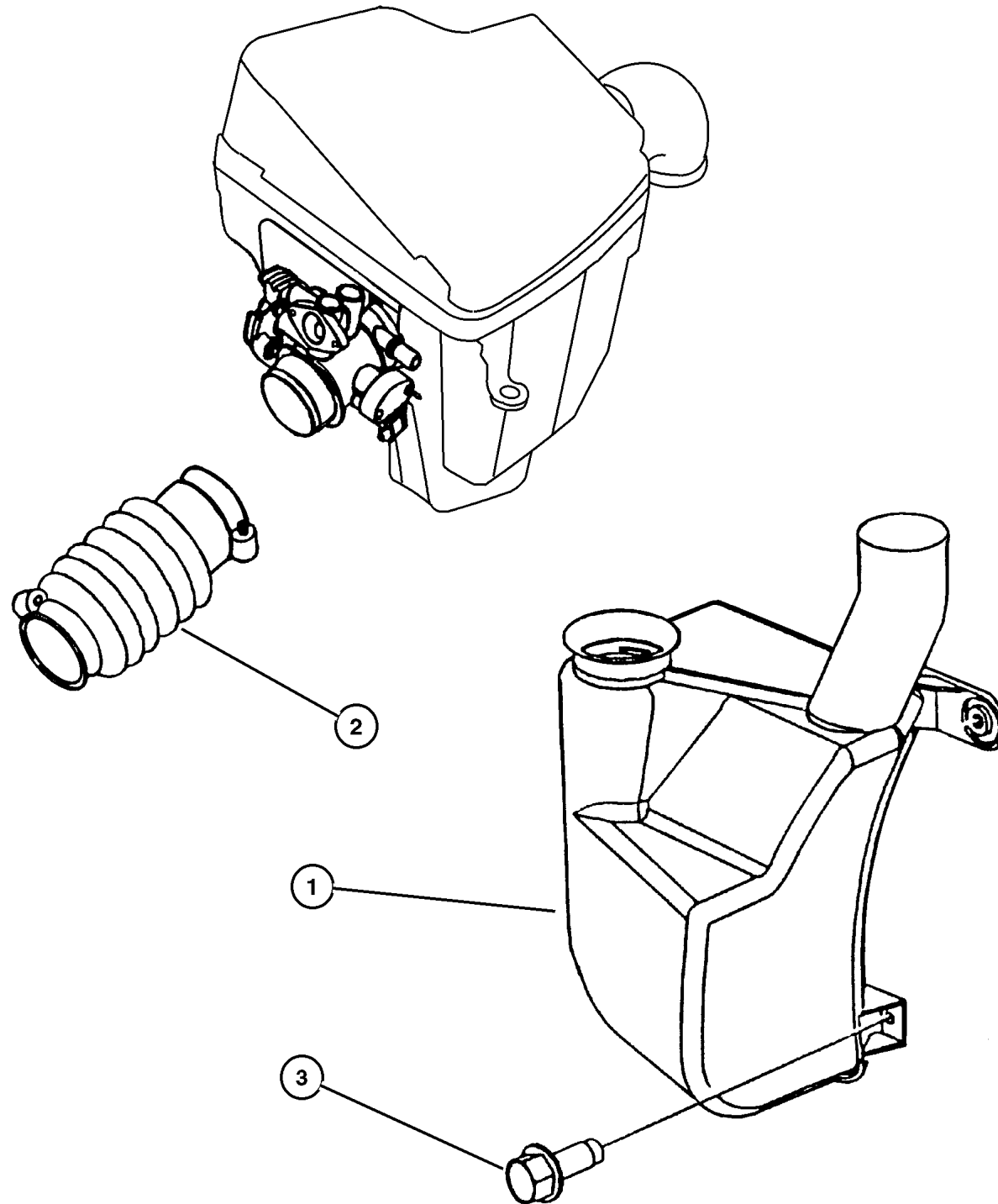
NOTE: Sales Codes n key.

[EBD]=1.8L Engine n key.

[ECB]=2.0L Engine n key.

[EJD]=1.6L Engine n key.

1	4669 895AC	1				ECB, EJD		RESONATOR, Air Cleaner
2	4669 783AC	1				EBD, ECB		DUCT, Throttle Body
3	6102 039AA	1						SCREW, Air Cleaner Mounting - Frt., M6. 3x1.81x30.00



DODGE - CHRYSLER NEON (PL)

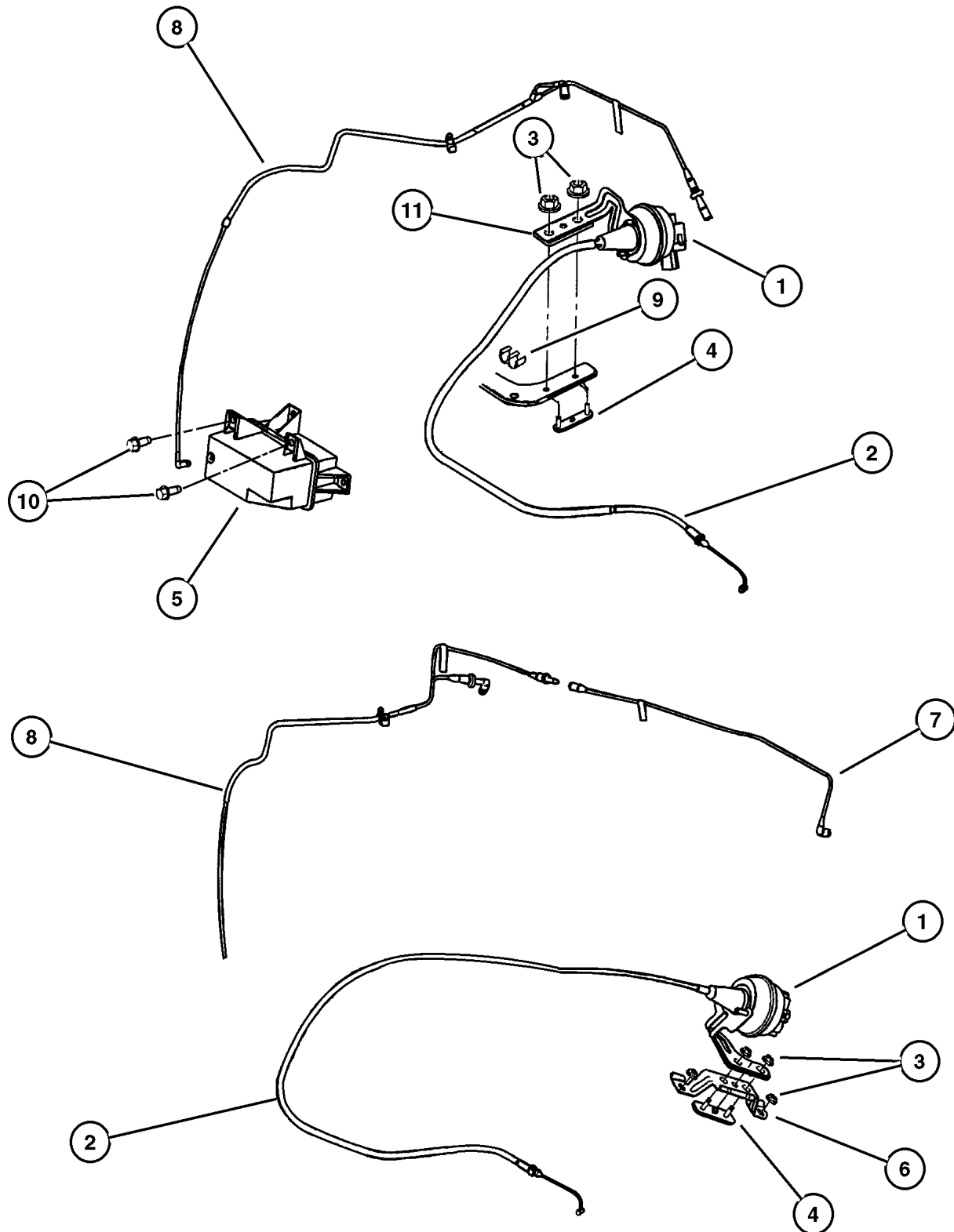
SERIES	LINE	BODY	ENGINE	TRANSMISSION
L=Low Line	Z=Chrysler, RHD	41 = 4 Door,	ECB,EC0=2.0L 4 Cyl., 16V SMPI	DD5=5 Speed Manual
H=High Line	D=Dodge	104WB	ECH,EC0=2.0L 4 Cyl, 16V SOHC	DGC=3 Speed Automatic
	D=Chrysler		EJD,EJ0=1.6L 4 Cyl 16V, SOHC	DGL=4 Speed Automatic
	P=Plymouth		EBD,EB0=1.8L 4 Cyl 16V SEF	DG0=All Automatics
				DBB=All 5 Speed Manual

AR = Use as required - = Non illustrated part # = New this model year

May 2, 2002

**Speed Control PL
Figure 014-1001**

ITEM	PART NUMBER	QTY	LINE	SERIES	BODY	ENGINE	TRANS	DESCRIPTION
NOTE: Sales Codes n key.								
[EBD]=1.8L Engine n key.								
[ECB]=2.0L Engine n key.								
[ECH]=2.0L R/T Engine n key.								
[EJD]=1.6L Engine n key.								
1	4669 979	1	Z					SERVO, Speed Control
2	4891 041AA	1	Z					CABLE, Speed Control
	4669 793AB	1	D, P			ECB		
3	6500 274	4	Z					LOCK NUT, M6x1.0x6
4	4591 046	1	Z					PLATE, Speed Control Servo
		1	D, P					
5	#4669 380AB	1						RESERVOIR, Speed Control Vacuum
6	4669 954	1	Z					BRACKET, Speed Control Servo
7	#4669 225AB	1	Z					HARNES, Vacuum Speed Control
	#4669 400AC	1	D, P					Right Hand Drive
8	#4669 225AB	1	Z					HARNES, Vacuum Speed Control
	#4669 400AC	1	D, P					Right Hand Drive
9	4459 055AB	1						CLIP, Cable Routing
10								SCREW AND WASHER, Hex Head, M6x1x25, (NOT SERVICED)
11								BRACKET, Speed Control Servo
	4669 585AB	1	D, P			ECB		
	4669 954	1	Z					Right Hand Drive
-12	3502 916	2	Z					SPACER, Speed Control Servo
-13	5214 613	1				EBD, ECB, ECH, EJD		CLIP, Cable
-14	4592 032	1	Z					ISOLATOR PAD, Speed Control Mounting



DODGE - CHRYSLER NEON (PL)

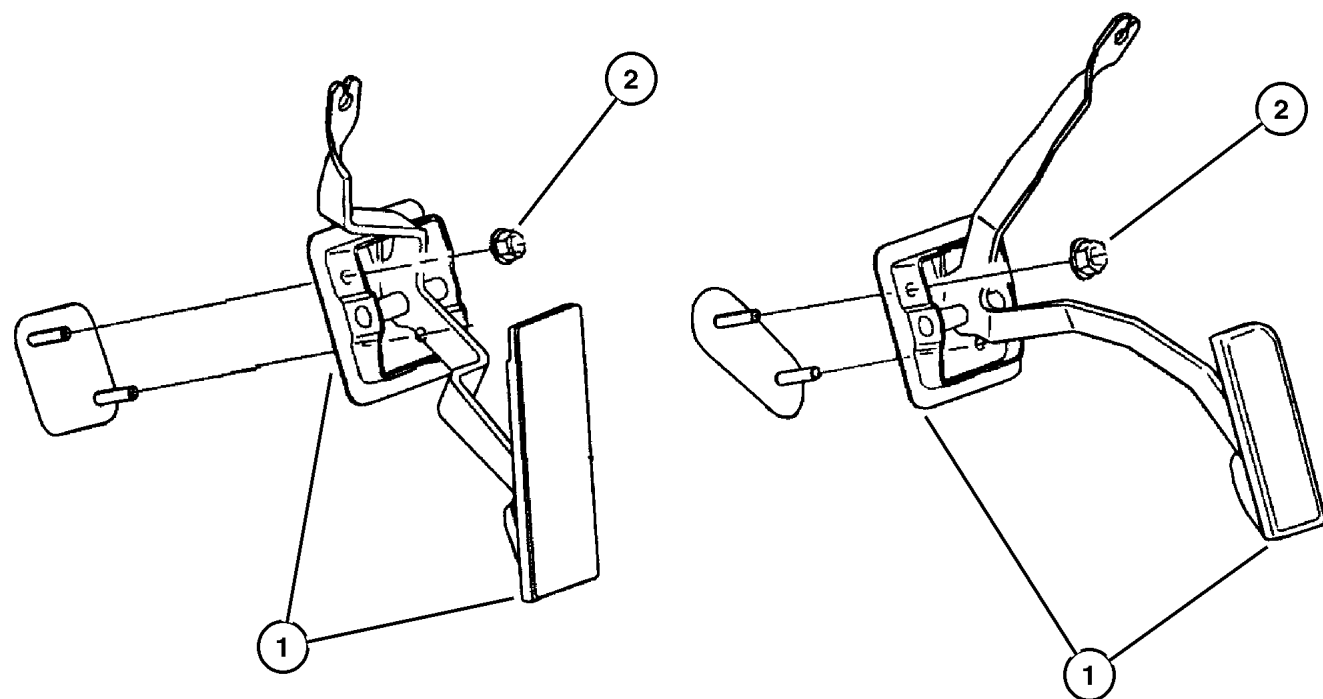
SERIES	LINE	BODY	ENGINE	TRANSMISSION
L=Low Line	Z=Chrysler, RHD	41 = 4 Door,	ECB,EC0=2.0L 4 Cyl., 16V SMPI	DD5=5 Speed Manual
H=High Line	D=Dodge	104WB	ECH,EC0=2.0L 4 Cyl, 16V SOHC	DGC=3 Speed Automatic
	D=Chrysler		EJD,EJ0=1.6L 4 Cyl 16V, SOHC	DGL=4 Speed Automatic
	P=Plymouth		EBD,EB0=1.8L 4 Cyl 16V SEF	DG0=All Automatics
				DBB=All 5 Speed Manual

AR = Use as required - = Non illustrated part # = New this model year

May 2, 2002

**Accelerator Pedal PL
Figure 014-1101**

ITEM	PART NUMBER	QTY	LINE	SERIES	BODY	ENGINE	TRANS	DESCRIPTION
NOTE: Sales Code n key. EJD=1.6L 4 Cyl SOHC Engine n key.								
1								PEDAL, Accelerator
	4669 789	1	D, P					
	#4891 071AA	1	D, P			EJD		EJD
	#4891 072AA	1	Z			EJD		EJD Right Hand Drive, Right Hand Drive
	4669 964	1	Z					
2	6502 843	2						NUT AND WASHER, Hex Nut-Coned Washer, M6 x 1.00



DODGE - CHRYSLER NEON (PL)				
SERIES	LINE	BODY	ENGINE	TRANSMISSION
L=Low Line	Z=Chrysler, RHD	41 = 4 Door,	ECB,EC0=2.0L 4 Cyl., 16V SMPI	DD5=5 Speed Manual
H=High Line	D=Dodge	104WB	ECH,EC0=2.0L 4 Cyl, 16V SOHC	DGC=3 Speed Automatic
	D=Chrysler		EJD,EJ0=1.6L 4 Cyl 16V, SOHC	DGL=4 Speed Automatic
	P=Plymouth		EBD,EB0=1.8L 4 Cyl 16V SEF	DG0=All Automatics
				DBB=All 5 Speed Manual

AR = Use as required - = Non illustrated part # = New this model year

May 2, 2002

Group - 017

Rear Suspension

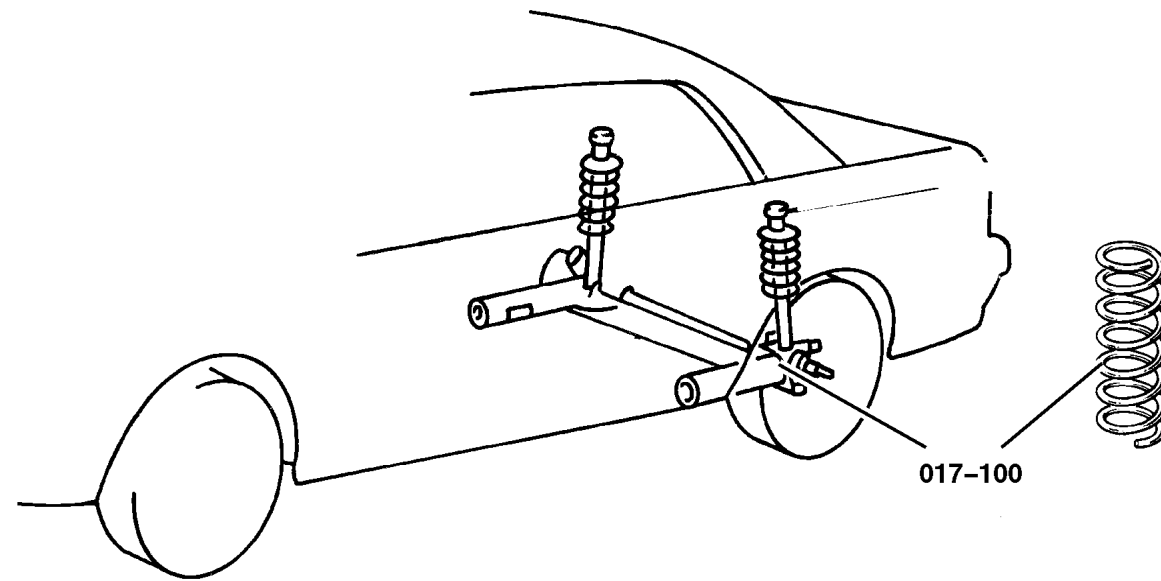
GROUP 17 - Rear Suspension

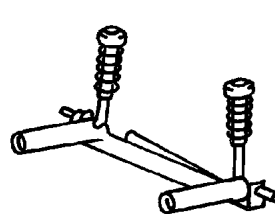
Illustration Title

Group-Fig. No.

Rear Suspension

Rear Suspension Fig. 017-105



<p>017-100 Rear Suspension</p> 			
--	--	--	--

Rear Suspension Figure 017-105

ITEM	PART NUMBER	QTY	LINE	SERIES	BODY	ENGINE	TRANS	DESCRIPTION
------	-------------	-----	------	--------	------	--------	-------	-------------

NOTE: Sales Codes n key.

[SDB]=SUSPENSION - HEAVY DUTY n key.

[SDC]=SuspensionTOURING n key.

[SDE]=SUSPENSION - SPORT n key.

[SDF]=Suspension EURO n key.

[SDK]=SUSPENSION - COMPETITION n key.

[ZCC thur ZRJ]=Spring Group Type's Found on Individual Sale Codes n key.

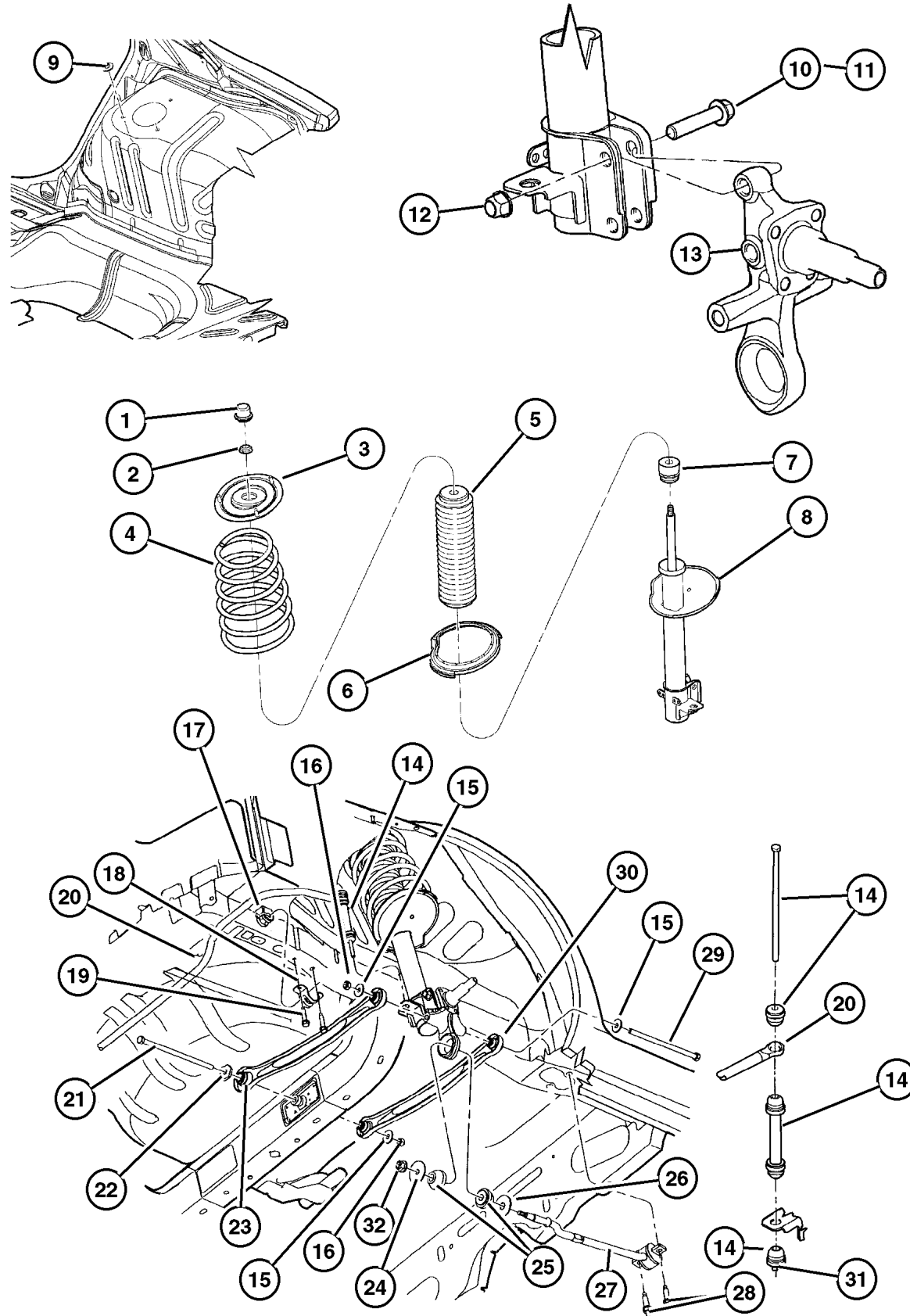
1								CAP, Suspension Strut, (NOT REQUIRED)
2	6505 116AA	2						NUT, M14X2
3	4656 264AC	1						MOUNT, Strut
4								SPRING, Rear Coil
	5272 283	1						[SDB, SDC, SDF, SDD] [ZAT, ZNT]
	5272 284	1						[SDB, SDC, SDF, SDD] [ZAU, ZNU]
	5272 285AA	1						[SDB, SDC, SDF, SDD] [ZAV, ZNV]
	#4656 951AA	1						[SDE, SDK] [ZER, ZTR]
	#4656 952AA	1						[SDE, SDK] [ZES, ZTS]
	#5272 953AA	1						[SDE] [ZET, ZTT]
5	4656 944AA	2						SHIELD, Suspension
6	4626 757	2						ISOLATOR, Spring Seat
7	5272 248AC	2						BUMPER, Jounce
8								STRUT, Rear Suspension
	4656 475AD	1						[SDC] Upto 6-1-01, Left
	4656 474AD	1						[SDC] Upto 6-1-01, Right
	#5272 890AA	2						[SDC] After 6-1-01, Right And Left
	#4656 355AD	1						[SDF-SDB], Left
	#4656 354AD	1						[SDF-SDB], Right
	#5272 699AB	1						[SDE], Left
	#5272 698AB	1						[SDE], Right
	#5272 785AA	1						[SDK], Left
	#5272 784AA	1						[SDK], Right
9	6502 964	6						NUT AND WASHER, Hex Nut-Coned Washer, M8 x 1.25
10	6502 765	4						BOLT, Hex Head, Clevis Bracket
11	4773 957	4						BOLT PACKAGE, Camber Adjustment, Contains 2 Bolts, 2 Nuts
12	6505 233AA	4						NUT, M12x1.75
13	5272 245	2						KNUCKLE, Rear
14	4656 260AA	2						LINK, Sway Eliminator
15	6503 253	6						WASHER, Flat, 12mm ID
16	6502 526	2						NUT, Hex Locking, M12x1.75
17								CUSHION, Sway Eliminator
	4656 140AA	2						[SDC, SDB, SDK]

DODGE - CHRYSLER NEON (PL)

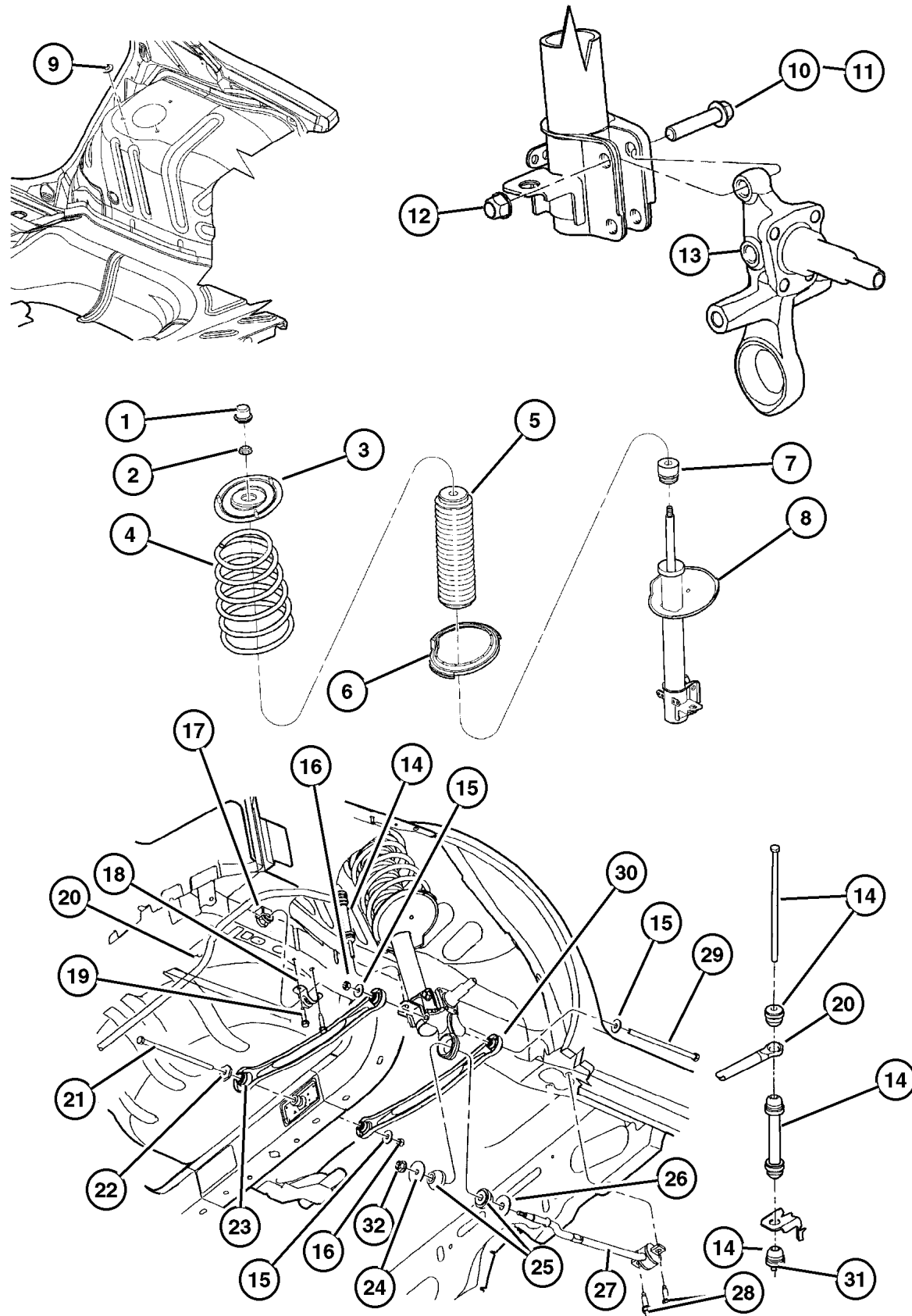
SERIES	LINE	BODY	ENGINE	TRANSMISSION
L=Low Line	Z=Chrysler, RHD	41 = 4 Door,	ECB,EC0=2.0L 4 Cyl., 16V SMPI	DD5=5 Speed Manual
H=High Line	D=Dodge	104WB	ECH,EC0=2.0L 4 Cyl, 16V SOHC	DGC=3 Speed Automatic
	D=Chrysler		EJD,EJ0=1.6L 4 Cyl 16V, SOHC	DGL=4 Speed Automatic
	P=Plymouth		EBD,EB0=1.8L 4 Cyl 16V SEF	DG0=All Automatics
				DBB=All 5 Speed Manual

AR = Use as required - = Non illustrated part # = New this model year

May 2, 2002



Rear Suspension Figure 017-105



ITEM	PART NUMBER	QTY	LINE	SERIES	BODY	ENGINE	TRANS	DESCRIPTION
	4626 767	2	D, Z					[SDF]
	#4656 946AA	2	D, Z					[SDE, SDK]
18	4656 478AB	1						CLAMP, Stabilizer Bar Cushion Right
	4656 479AB	1						Left
19	6506 203AA	4						SCREW, Hex Head, Rear Sway Bar Clamp After 3-1-99
20	4656 511AB	1						BAR, Rear Sway [SDF-SDB], Export
	5272 258AB	1						[SDB-SDC]
21	6502 796	2						SCREW, Hex Head, M12x1.75x242
22	4626 993	2						CAM, rear suspension
23								LINK, Rear Lateral
	4656 358AA	1						Right
	4656 359AA	1						Left
24	4656 360AA	2						RETAINER, Strut to Bushing, Front of Strut
25	4656 357AA	4						BUSHING, Strut
26	4656 360AA	2						RETAINER, Strut to Bushing
27								STRUT, Stabilizer
	5272 250	1						Right
	5272 251	1						Left
28	6505 213AA	4						SCREW AND WASHER
29	6503 203	2						SCREW, Hex Head, M12x1.75x230.50
30	5272 254	2						LINK, Rear Lateral
31								NUT, Service with Sway Bar Link Assy, (NOT SERVICED)
32	6502 502	2						NUT, Hex Flange Lock, M14x2

DODGE - CHRYSLER NEON (PL)

SERIES	LINE	BODY	ENGINE	TRANSMISSION
L=Low Line	Z=Chrysler, RHD	41 = 4 Door,	ECB,EC0=2.0L 4 Cyl., 16V SMPI	DD5=5 Speed Manual
H=High Line	D=Dodge	104WB	ECH,EC0=2.0L 4 Cyl, 16V SOHC	DGC=3 Speed Automatic
	D=Chrysler		EJD,EJ0=1.6L 4 Cyl 16V, SOHC	DGL=4 Speed Automatic
	P=Plymouth		EBD,EB0=1.8L 4 Cyl 16V SEF	DG0=All Automatics
				DBB=All 5 Speed Manual

AR = Use as required - = Non illustrated part # = New this model year

May 2, 2002

Group – 019

Steering

GROUP 19 - Steering

Illustration Title

Group-Fig. No.

Steering Wheel

Wheel, Steering Fig. 019-105

Steering Column

Column, Steering, Upper and Lower Fig. 019-205

Steering Gear

Gear, Rack and Pinion Fig. 019-305

Steering Linkage

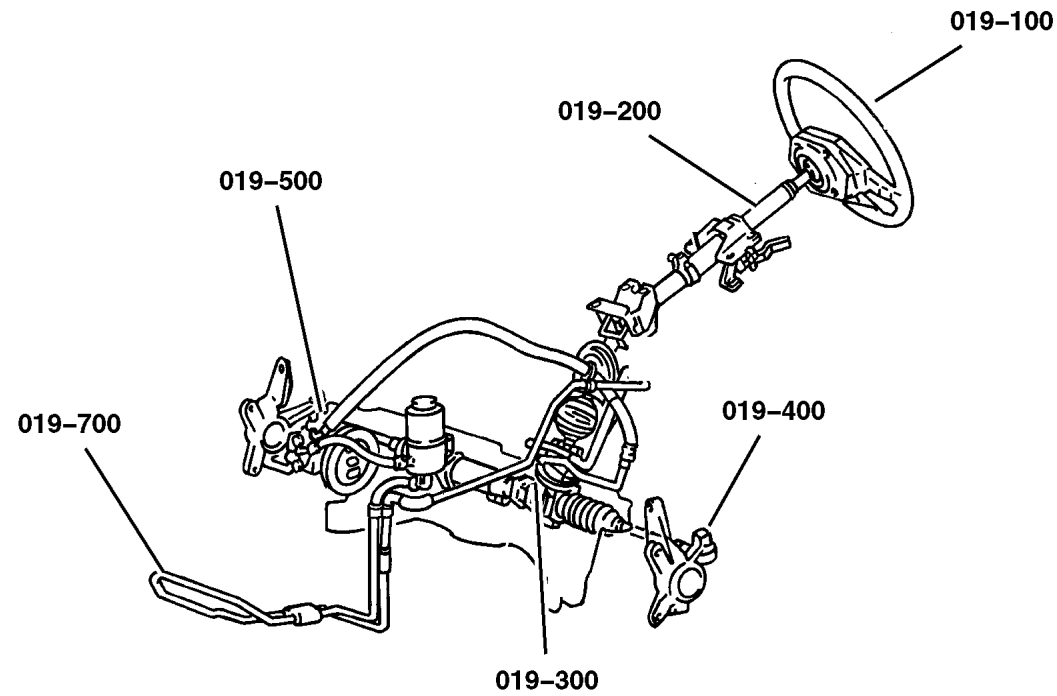
Tie Rod Ends Fig. 019-410

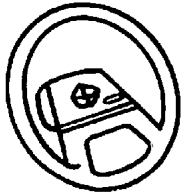
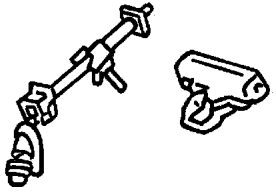
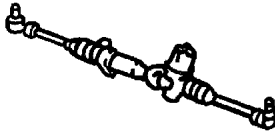
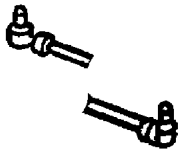
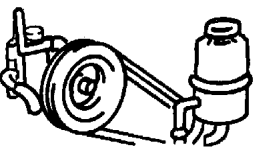
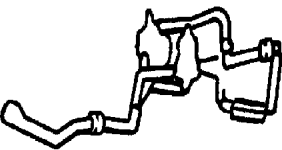
Power Steering Pump

Pump, Assembly and Mounting Fig. 019-505

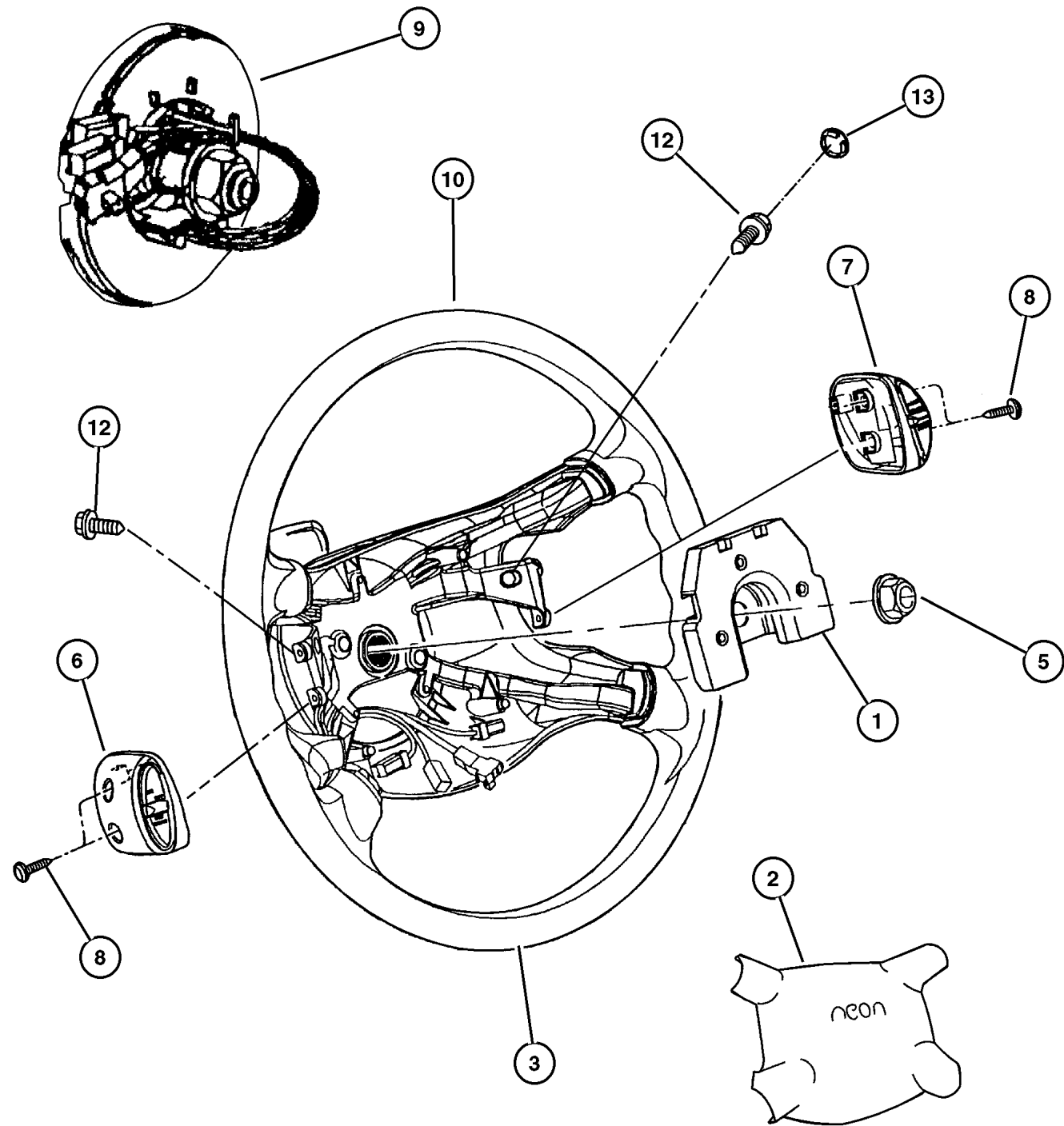
Power Steering Hoses

Hoses, Power Steering Fig. 019-705



<p>019-100 Steering Wheel</p> 	<p>019-200 Steering Column</p> 	<p>019-300 Steering Gear</p> 	<p>019-400 Steering Linkage</p> 
<p>019-500 Power Steering Pump</p> 	<p>019-700 Power Steering Hoses</p> 		

Wheel, Steering Figure 019-105



ITEM	PART NUMBER	QTY	LINE	SERIES	ENGINE	TRANS	DESCRIPTION
SALES CODE: n key.							
[DD5]= TRANSMISSION - PERF. MANUAL 5-SPEED n key.							
[DGC] = TRANSMISSION - AUTOMATIC 3-SPEED n key.							
1							DAMPER, Steering Wheel, (NOT SERVICED)
2							AIR BAG, Driver
	#UC26 WL8AA	1					Export or Canada [L5]
	#UC26 XDVA	1					Export or Canada [DV]
	#SH23 WL8AF	1	D				U.S.or Mexico only [L5]
	#SH23 XDVA	1	D				U.S.or Mexico only [DV]
	#SH24 WL8AG	1	P				U.S. only [L5]
	#SH24 XDVA	1	P				U.S. only [DV]
3							WHEEL, Steering
	UF64 WL8AA	1					without Cruise Control [L5]
	UF64 XDVA	1					without Cruise Control [DV]
	UF65 1DVAA	1					Leather, without Cruise Control [DV]
	UF65 1L8AA	1					Leather, without Cruise Control [L5]
	UF66 WL8AA	1					with Cruise Control [L5]
	UF66 XDVA	1					with Cruise Control [DV]
	UF67 1DVAA	1					with Leather, Cruise Control [DV]
	UF67 1L8AA	1					with Leather, Cruise Control [L5]
-4							PAD, Steering Wheel
	#UZ01 WL8AA	1					without Airbag [L5]
	#UZ01 XDVA	1					without Airbag [DV]
5							NUT, Hex Flange Lock
	6505 248AA	1	D, P			DGC	
		1	Z			DGC	
		1	D, P			DD5	
		1	Z			DD5	
6							SWITCH, Speed Control
	QA76 1L8	1					On/Off Set Cruise [L5]
	QA76 1DV	1					On/Off Set Cruise [DV]
7							SWITCH, Speed Control
	QA77 1DV	1					Accel Resume/Canc Coast [DV]
	QA77 1AZ	1					Accel Resume/Canc Coast [L5]
8	0154 613	4					SCREW, Pan Head Tapping, .164-32x.625
9							CLOCKSPRING
	#4671 753AB	1					One Circuit, Mexico
	4793 583AB	1					Three Circuit
	#4793 585AB	1					Five Circuit, with Speed Control
10							COVER, Steering Wheel Back, [Service in Steering Wheel], (NOT SERVICED)
-11							LABEL, Airbag (French)
	4783 055AB	1					

DODGE - CHRYSLER NEON (PL)

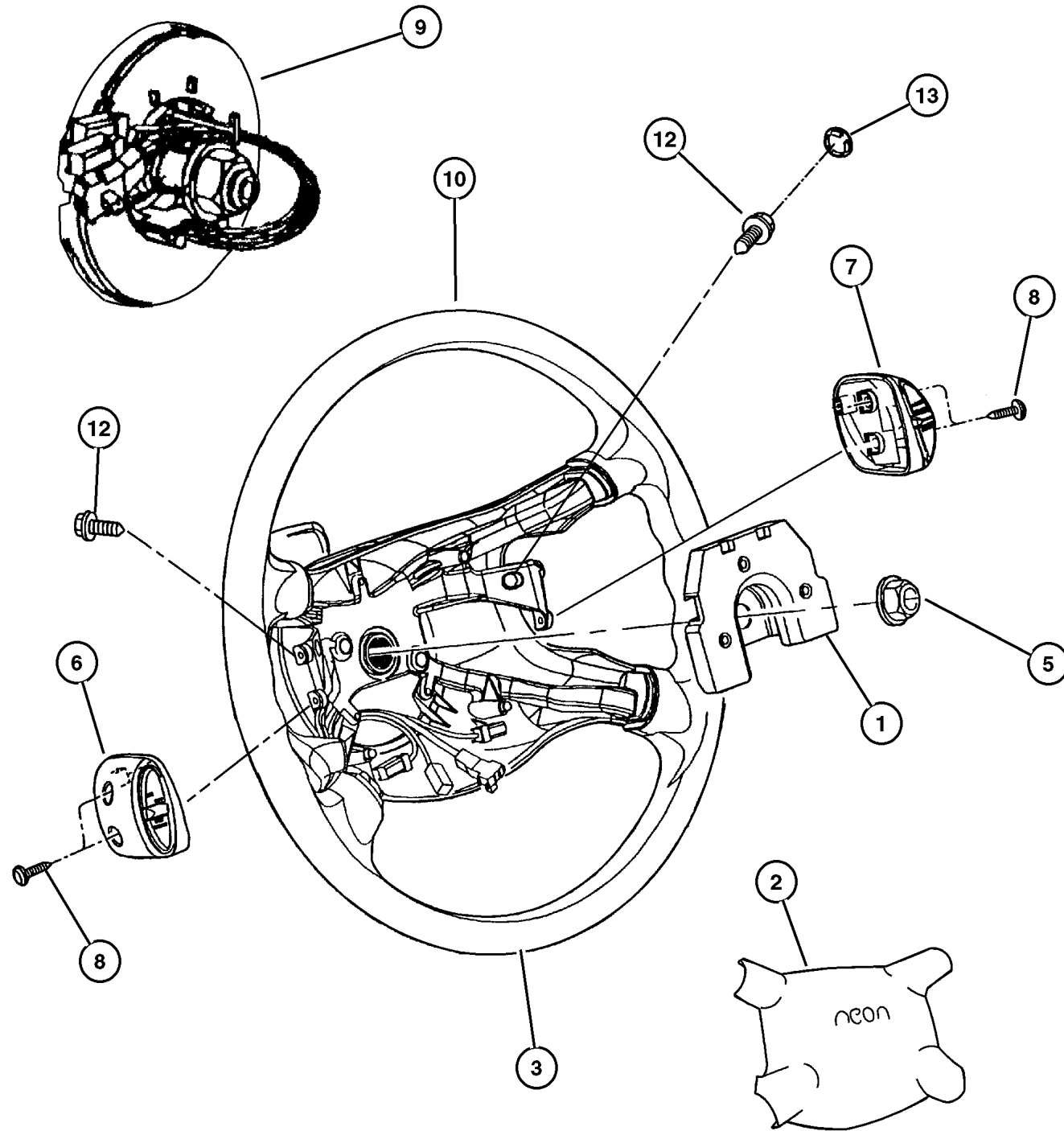
SERIES	LINE	BODY	ENGINE	TRANSMISSION
L=Low Line	Z=Chrysler, RHD	41 = 4 Door,	ECB,EC0=2.0L 4 Cyl., 16V SMPI	DD5=5 Speed Manual
H=High Line	D=Dodge	104WB	ECH,EC0=2.0L 4 Cyl, 16V SOHC	DGC=3 Speed Automatic
	D=Chrysler		EJD,EJ0=1.6L 4 Cyl 16V, SOHC	DGL=4 Speed Automatic
	P=Plymouth		EBD,EB0=1.8L 4 Cyl 16V SEF	DG0=All Automatics
				DBB=All 5 Speed Manual

AR = Use as required - = Non illustrated part # = New this model year

May 2, 2002

Wheel, Steering Figure 019-105

ITEM	PART NUMBER	QTY	LINE	SERIES	ENGINE	TRANS	DESCRIPTION
	4783 054AB	1					(English)
12	6505 850AA	2					SCREW, M6x1.00x12.00
13							PLUG, Steering Wheel Pad
	SN38 WL8AA	2					Base Back Cover [L5]
	SN38 XDVAA	2					Base Back Cover [DV]

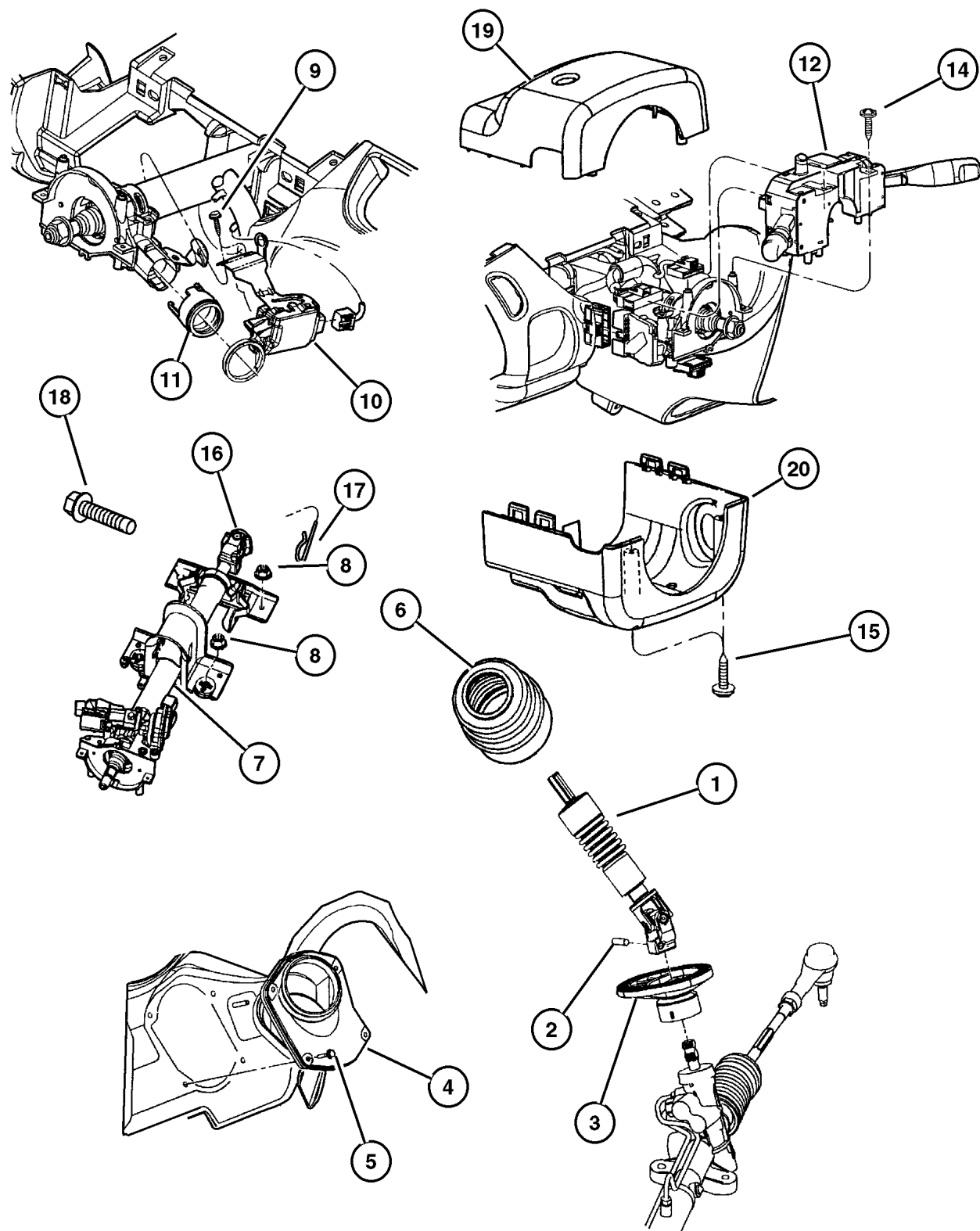


DODGE - CHRYSLER NEON (PL)				
SERIES	LINE	BODY	ENGINE	TRANSMISSION
L=Low Line	Z=Chrysler, RHD	41 = 4 Door,	ECB,EC0=2.0L 4 Cyl., 16V SMPI	DD5=5 Speed Manual
H=High Line	D=Dodge	104WB	ECH,EC0=2.0L 4 Cyl, 16V SOHC	DGC=3 Speed Automatic
	D=Chrysler		EJD,EJ0=1.6L 4 Cyl 16V, SOHC	DGL=4 Speed Automatic
	P=Plymouth		EBD,EB0=1.8L 4 Cyl 16V SEF	DG0=All Automatics
				DBB=All 5 Speed Manual

AR = Use as required - = Non illustrated part # = New this model year

May 2, 2002

**Column, Steering, Upper and Lower
Figure 019-205**

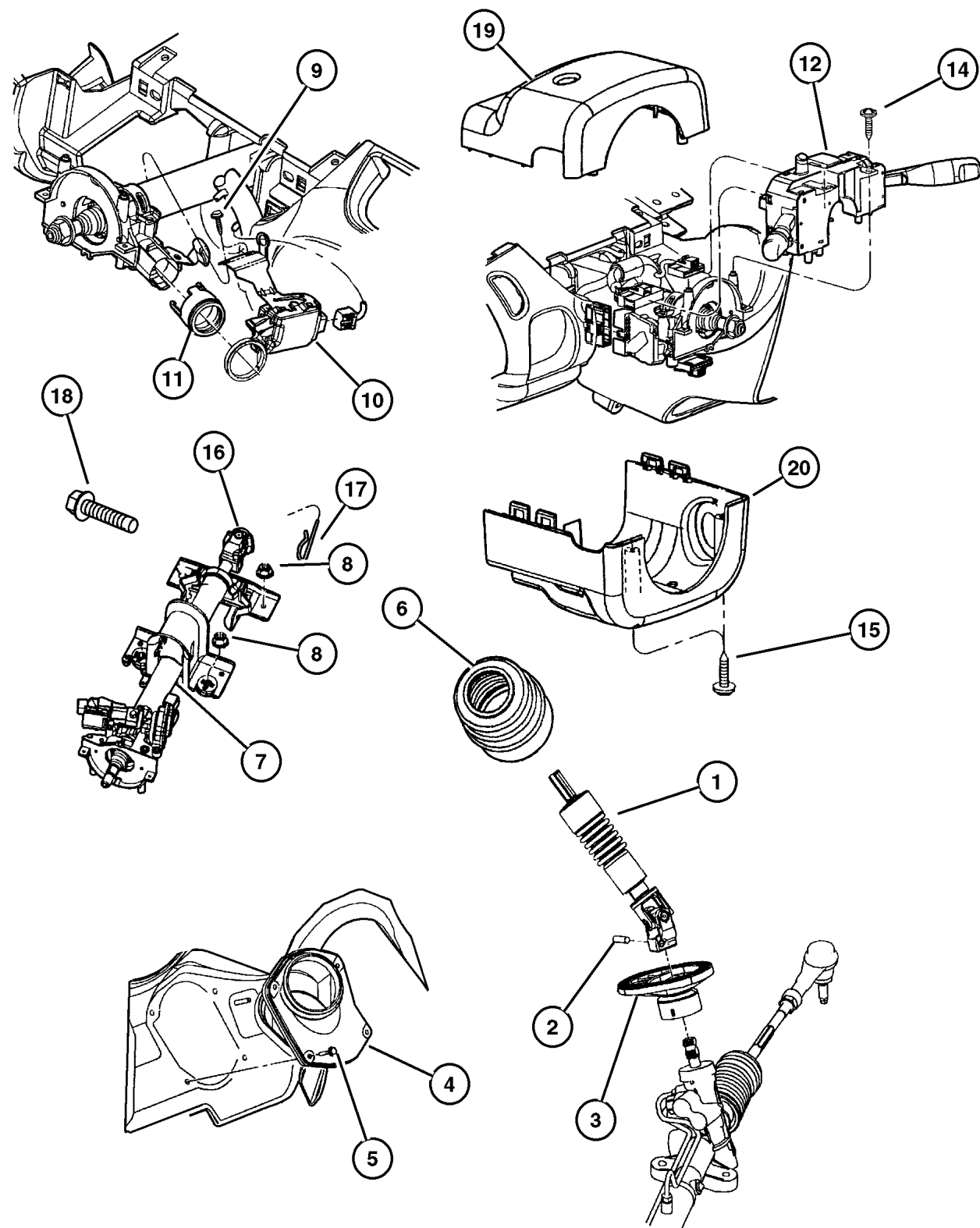


ITEM	PART NUMBER	QTY	LINE	SERIES	ENGINE	TRANS	DESCRIPTION
SALES CODE: n key.							
DD5= 5-SPEED MANUAL n key.							
DGL= 4-SPD. AUTOMATIC,41TE n key.							
DGC=3 SPD. AUTOMATIC n key.							
1							COUPLING, Steering
	4664 216AB	1	D, P				
	4664 222AB	1	Z				
2	6503 985	1					PIN, Spring, M8.4x30x1.60
3	4664 221AA	1					SEAL, Steering Column Shaft
4							COVER, Steering Column
	4664 219AA	1	D, P				
	4664 220AA	1	Z				
	QA03 WL5AD	1	D, P				with Tilt, Taupe
	QA03 XDVAD	1	D, P				with Tilt, Dark Quartz
	QS71 WL5AD	1	Z				with Tilt, Taupe
	QS71 XDVAD	1	Z				with Tilt, Dark Quartz
5	6504 456	4					SCREW, Tapping
6	4664 217AA	1					SEAL, Steering Column Shaft
7							COLUMN, Steering, Tilt
	#4664 224AC	1	D, P			DGC, DGL	Export
		1	Z			DGC, DGL	
	#4664 225AC	1	D, P			DD5	Export
		1	Z			DD5	
	#4690 518AC	1	D, P			DGC, DGL	
	#4690 519AC	1	D, P			DD5	
8	6503 182	4					NUT AND WASHER, Hex Lock Nut-Coned Teeth Washer, M8 x 1.25
9	0154 844	2					SCREW, Tapping, .164-32x0250
10	#4671 722AB	1					MODULE, Immobilizer
11	4664 232AA	1					RING, Ignition, Steering Column
12	4794 303AC	1					SWITCH, Intermittent Wiper
-13							SWITCH, Multifunction
	4794 305AC	1	D, P				w/o Fog Lamps
	4794 306AC	1	D, P				w/Front Fog Lamps
	4794 307AC	1					w/Rear Fog Lamps, (European)
	4794 308AC	1					w/Front & Rear Fog Lamps, (European)
14	6503 395	2					SCREW AND WASHER, Self Tapping, M4x.7x14
15	6035 434	2					SCREW AND WASHER, Pan Head
16							COUPLING, Steering, (Upper) (Service in Steering Column), (NOT SERVICED)

DODGE - CHRYSLER NEON (PL)				
SERIES	LINE	BODY	ENGINE	TRANSMISSION
L=Low Line	Z=Chrysler, RHD	41 = 4 Door,	ECB,EC0=2.0L 4 Cyl., 16V SMPI	DD5=5 Speed Manual
H=High Line	D=Dodge	104WB	ECH,EC0=2.0L 4 Cyl, 16V SOHC	DGC=3 Speed Automatic
	D=Chrysler		EJD,EJ0=1.6L 4 Cyl 16V, SOHC	DGL=4 Speed Automatic
	P=Plymouth		EBD,EB0=1.8L 4 Cyl 16V SEF	DG0=All Automatics
				DBB=All 5 Speed Manual

**Column, Steering, Upper and Lower
Figure 019-205**

ITEM	PART NUMBER	QTY	LINE	SERIES	ENGINE	TRANS	DESCRIPTION
17	6034 206	1					PIN, Hair, .250 Dia x.766x.059
18	6502 413	1					BOLT, Special Head Locking, M8x1.25x42.50
19							SHROUD, Steering Column
	QK45 WL8	1				DD5	Very Dark bown, Upper
	QK45 XDV	1				DGC,	Dark Quartz
						DGL	
	QK45 WL8	1				DGC,	Very Dark bown
						DGL	
	QK45 XDV	1				DD5	Dark Quartz
20							SHROUD, Steering Column
	QK49 WL8	1				DD5	Very Dark Bown, Lower
	QK48 WL8	1				DGC,	Very Dark Bown
						DGL	
	QK48 XDV	1				DGC,	Dark Quartz
						DGL	
	QK49 XDV	1				DD5	Dark Quartz

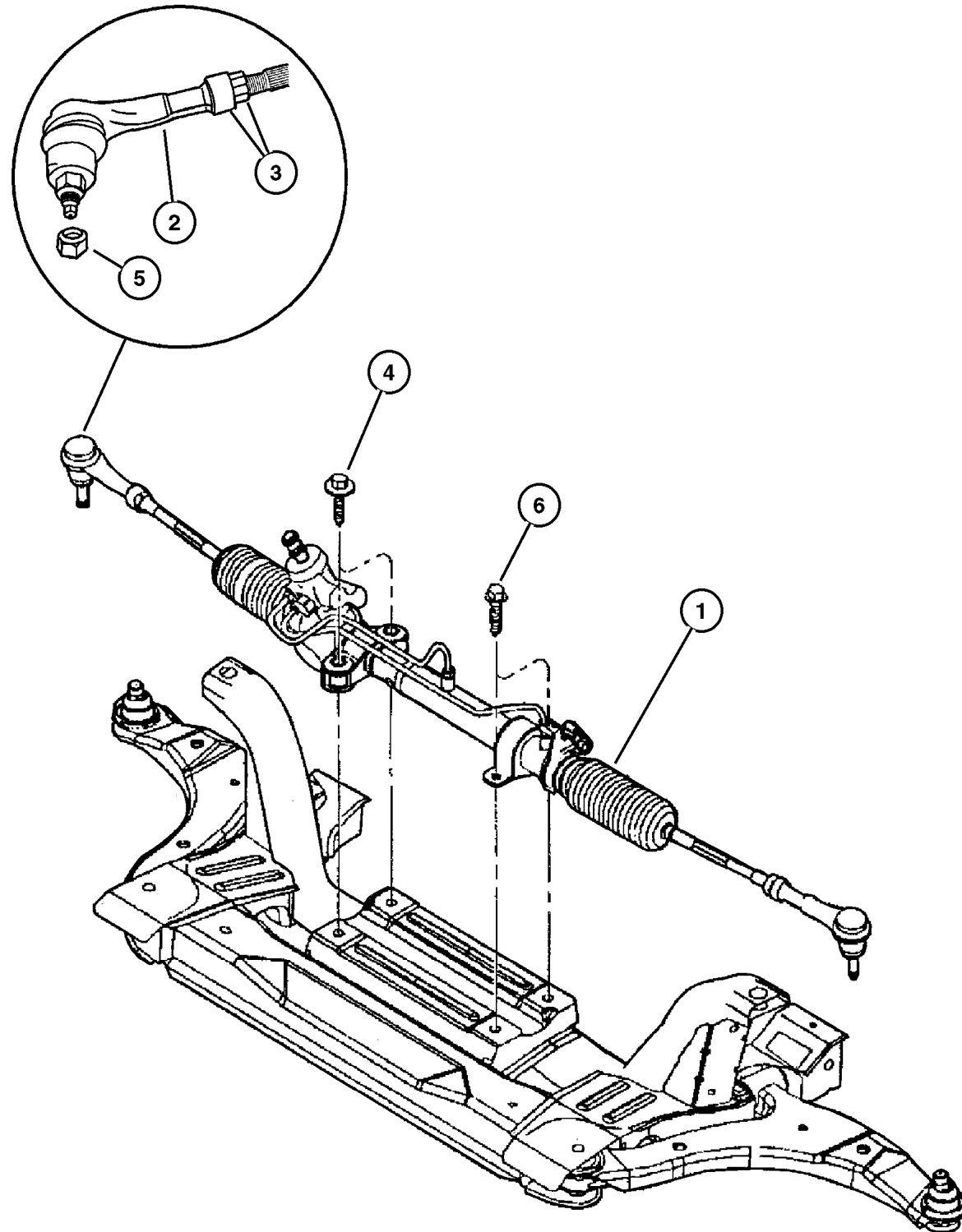


DODGE - CHRYSLER NEON (PL)				
SERIES	LINE	BODY	ENGINE	TRANSMISSION
L=Low Line	Z=Chrysler, RHD	41 = 4 Door,	ECB,EC0=2.0L 4 Cyl., 16V SMPI	DD5=5 Speed Manual
H=High Line	D=Dodge	104WB	ECH,EC0=2.0L 4 Cyl, 16V SOHC	DGC=3 Speed Automatic
	D=Chrysler		EJD,EJ0=1.6L 4 Cyl 16V, SOHC	DGL=4 Speed Automatic
	P=Plymouth		EBD,EB0=1.8L 4 Cyl 16V SEF	DG0=All Automatics
				DBB=All 5 Speed Manual

AR = Use as required - = Non illustrated part # = New this model year

May 2, 2002

Gear, Rack and Pinion Figure 019-305



ITEM	PART NUMBER	QTY	LINE	SERIES	ENGINE	TRANS	DESCRIPTION
Note: Sales Codes n key.							
[SBA]=POWER n key.							
[SBB]=FIRM FEEL POWER n key.							
[SBP]=PERFORMANCE n key.							
[DD5]= 5-SPEED MANUAL n key.							
[DGC]=3-SPEED AUTOMATIC n key.							
[DGL]= 4-SPD. AUTOMATIC [41TE] n key.							
1							GEAR, Power Steering [SBA] Mexico Only
	#5272 573AA	1	D, P				
	#5272 490AD	1	D, P			DGL	[SBB]
	#5272 500AD	1	D, P			DGL	[SBA]
	#5272 532AC	1	D, P			DD5, DGC	[SBA]
	#5272 643AC	1	D, P			DD5, DGC	[SBB]
	#5272 754AC	1	Z			DD5, DGC	[SBB]
	#5272 480AD	1	Z			DGL	[SBB]
	#5272 302AB	1	Z			DD5	[SBP]
	#4656 750AD	1	D, P			DD5, DGC	(SBP)
2	#5272 574AA	1	D, P			DD5	[SBP] Mexico Only END PACKAGE, Tie Rod
	4762 861AA	1	Z			DGL	
		1	D, P			DGL	
		1	Z			DD5, DGC	
		1	D, P			DD5, DGC	
3							JAM NUT, Outer Tie Rod
	5015 316AA	1	Z			DGL	
		1	D, P			DGL	
		1	D, P			DD5, DGC	
		1	Z			DD5, DGC	
4	6505 606AA	2					SCREW, Hex Head, Steering Gear to Crossmember
5	6503 046	2					NUT, Hex Lock, M12 x 1.25
6	6506 204AA	2					SCREW, Hex Head

DODGE - CHRYSLER NEON (PL)

SERIES	LINE	BODY	ENGINE	TRANSMISSION
L=Low Line	Z=Chrysler, RHD	41 = 4 Door,	ECB,EC0=2.0L 4 Cyl., 16V SMPI	DD5=5 Speed Manual
H=High Line	D=Dodge	104WB	ECH,EC0=2.0L 4 Cyl, 16V SOHC	DGC=3 Speed Automatic
	D=Chrysler		EJD,EJ0=1.6L 4 Cyl 16V, SOHC	DGL=4 Speed Automatic
	P=Plymouth		EBD,EB0=1.8L 4 Cyl 16V SEF	DG0=All Automatics
				DBB=All 5 Speed Manual

AR = Use as required - = Non illustrated part # = New this model year

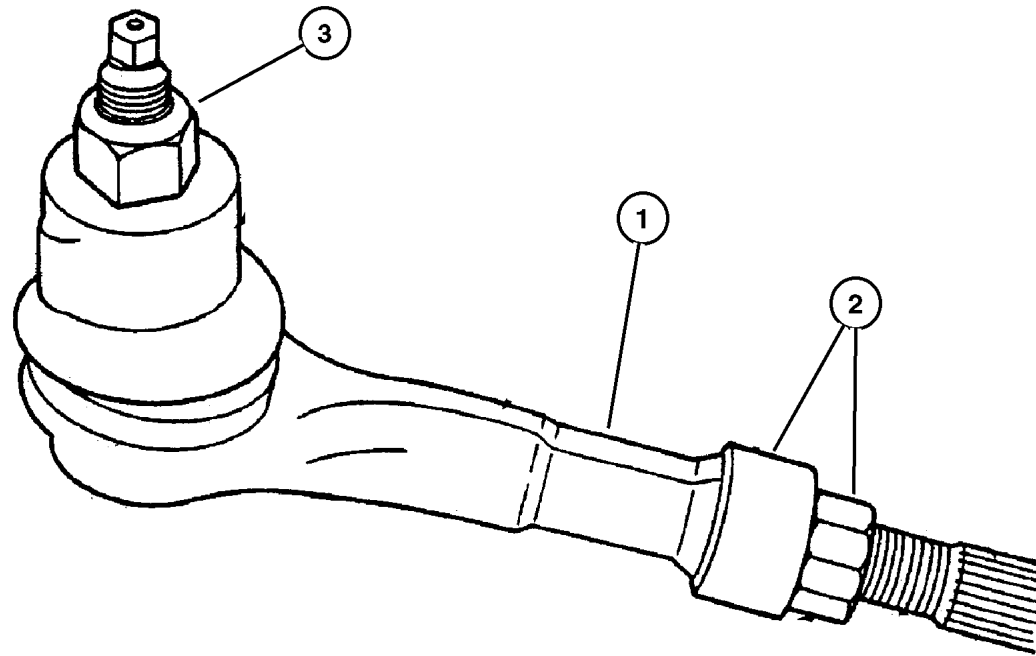
May 2, 2002

Tie Rod Ends Figure 019-410

ITEM	PART NUMBER	QTY	LINE	SERIES	ENGINE	TRANS	DESCRIPTION
------	-------------	-----	------	--------	--------	-------	-------------

DD5 = TRANSMISSION - PERF. MANUAL 5-SPEED n key.
DGC = TRANSMISSION - AUTOMATIC 3-SPEED n key.
DGL = TRANSMISSION - AUTOMATIC 4-SPD, 41TE n key.

1							END PACKAGE, Tie Rod
	4762 861AA	1	Z			DGL	
		1	D, P			DGL	
		1	Z			DD5, DGC	
		1	D, P			DD5, DGC	
2							JAM NUT, Outer Tie Rod
	5015 316AA	1	Z			DGL	
		1	D, P			DGL	
		1	D, P			DD5, DGC	
		1	Z			DD5, DGC	
3	6503 046	2					NUT, Hex Lock, M12 x 1.25

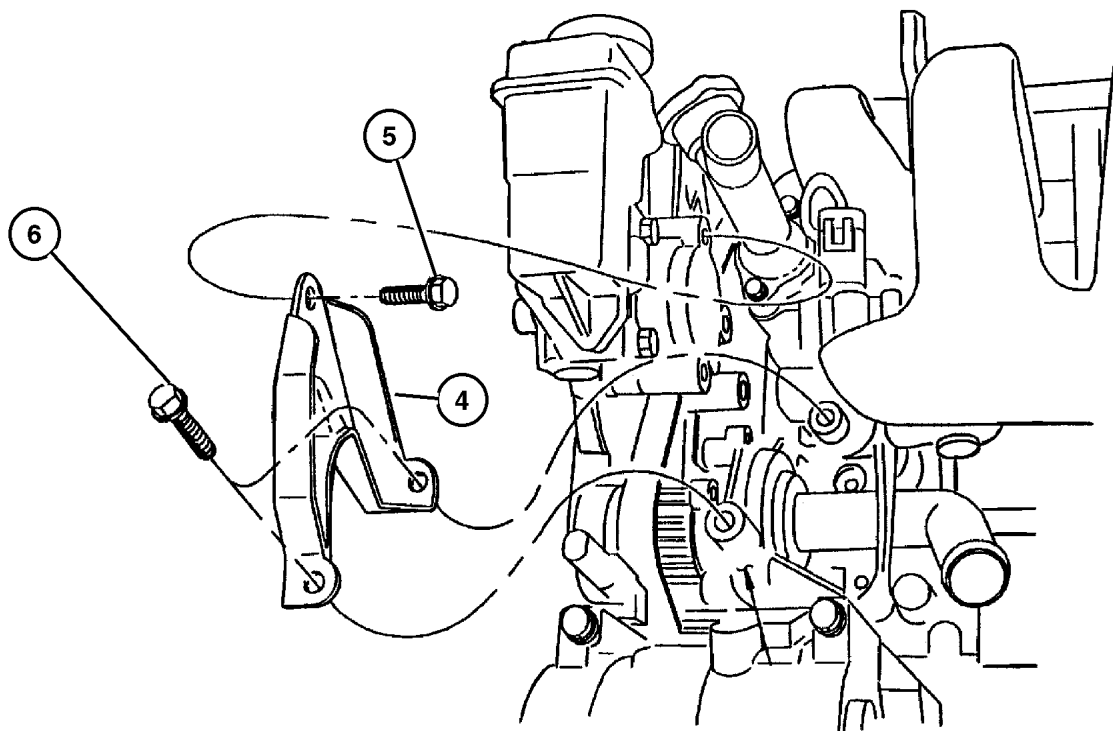
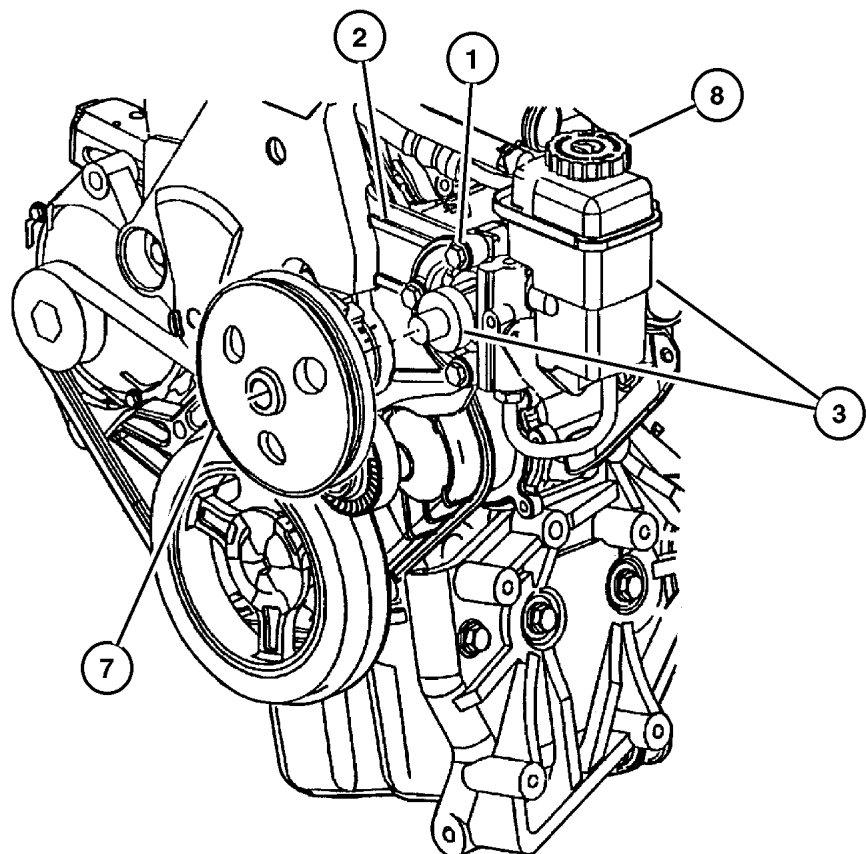


DODGE - CHRYSLER NEON (PL)				
SERIES	LINE	BODY	ENGINE	TRANSMISSION
L=Low Line	Z=Chrysler, RHD	41 = 4 Door,	ECB,EC0=2.0L 4 Cyl., 16V SMPI	DD5=5 Speed Manual
H=High Line	D=Dodge	104WB	ECH,EC0=2.0L 4 Cyl, 16V SOHC	DGC=3 Speed Automatic
	D=Chrysler		EJD,EJ0=1.6L 4 Cyl 16V, SOHC	DGL=4 Speed Automatic
	P=Plymouth		EBD,EB0=1.8L 4 Cyl 16V SEF	DG0=All Automatics
				DBB=All 5 Speed Manual

AR = Use as required - = Non illustrated part # = New this model year

May 2, 2002

Pump, Assembly and Mounting
Figure 019-505



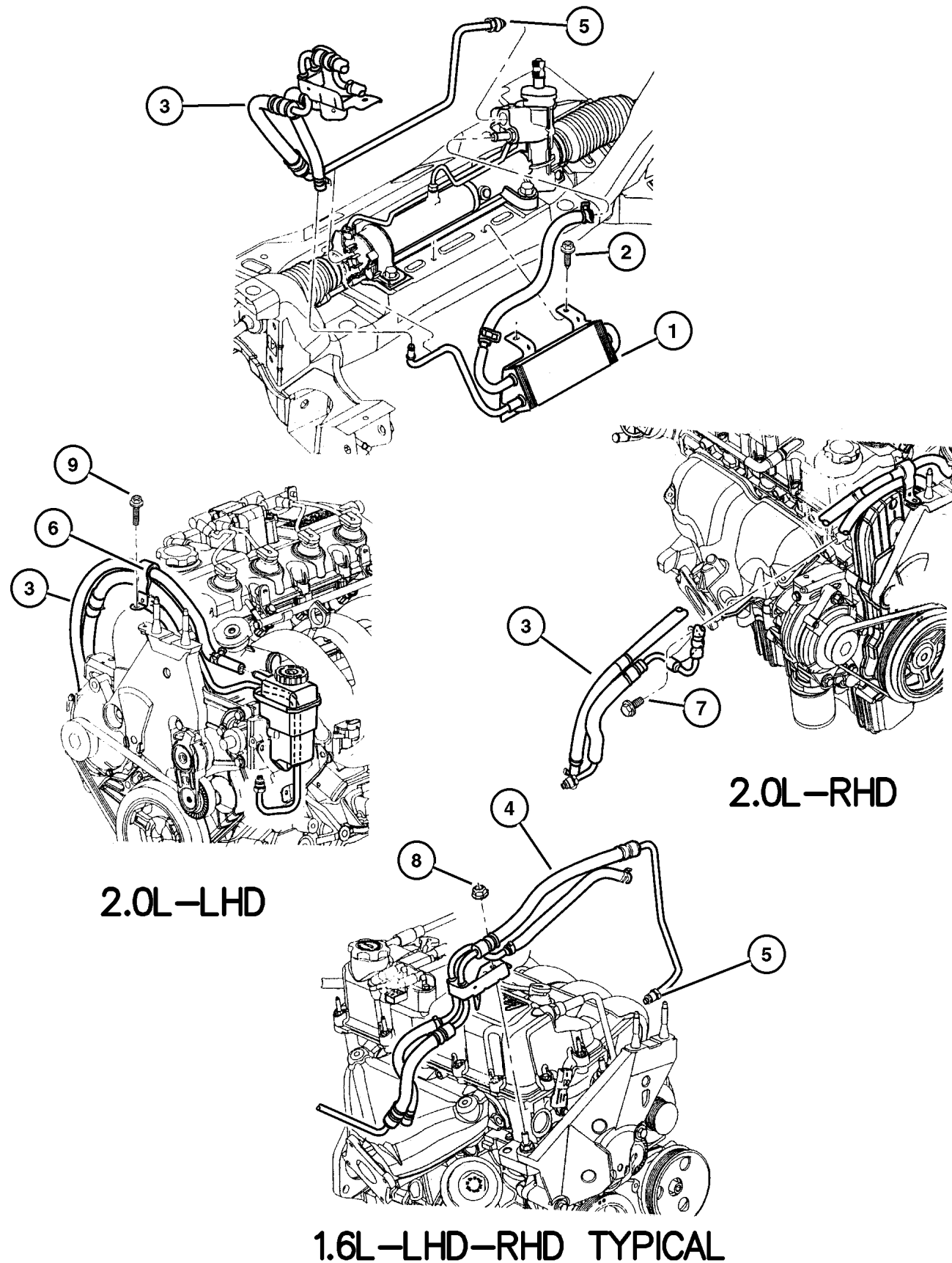
ITEM	PART NUMBER	QTY	LINE	SERIES	ENGINE	TRANS	DESCRIPTION
NOTE: Sales Codes n key.							
[EBD]=1.8L 4 Cyl. SOHC 16 Valve n key.							
[ECB]=2.0L 4 Cyl. SOHC 16 Valve n key.							
[ECH]=2.0L 4Cyl.. SOHC 16 Valve Hi Perf. n key.							
1	6101 614	3			EBD, ECB, ECH		SCREW AND WASHER, Hex Head, M8x1.25x45
2	4668 364AA	1			ECH		TENSIONER AND BRACKET, Engine Mount
3	#5272 780AB	1			EBD, ECB, ECH		PUMP, Power Steering
4	4668 245	1			EBD, ECB, ECH		BRACKET, Power Steering Pump
5	6101 767	1			ECH		SCREW AND WASHER, M8x1.25x25, P/S Strut to Pump
6	6101 503	2			ECH		SCREW AND WASHER, Hex Head, M10x1.5x25, P/S Strut to Block
7	4668 252	1			EBD, ECB, ECH		PULLEY, Power Steering Pump
8	4656 516AA	1			EBD, ECB, ECH		CAP, Power Steering Reservoir

DODGE - CHRYSLER NEON (PL)				
SERIES	LINE	BODY	ENGINE	TRANSMISSION
L=Low Line	Z=Chrysler, RHD	41 = 4 Door,	ECB,EC0=2.0L 4 Cyl., 16V SMPI	DD5=5 Speed Manual
H=High Line	D=Dodge	104WB	ECH,EC0=2.0L 4 Cyl, 16V SOHC	DGC=3 Speed Automatic
	D=Chrysler		EJD,EJ0=1.6L 4 Cyl 16V, SOHC	DGL=4 Speed Automatic
	P=Plymouth		EBD,EB0=1.8L 4 Cyl 16V SEF	DG0=All Automatics
				DBB=All 5 Speed Manual

AR = Use as required - = Non illustrated part # = New this model year

May 2, 2002

Hoses, Power Steering Figure 019-705



ITEM	PART NUMBER	QTY	LINE	SERIES	ENGINE	TRANS	DESCRIPTION
EJD= 1.6L 4 CYL SOHC 16V SMPI n key.							
ECB=2.0L 4 CYL SOHC 16V SMPI n key.							
ECH=2.0L 4 CYL SOHC 16V HI PERF n key.							
DD5= 5-SPEED MANUAL n key.							
DGC=3-SPEED AUTOMATIC n key.							
DGL= 4-SPD. AUTOMATIC,41TE n key.							
1							COOLER, Power Steering
	4656 617AB	1	Z				
	4656 616AE	1	D, P				
2	6505 911AA	2					SCREW, Hex Head, Cooler Mounting
3							HOSE, Power Steering
	#5272 278AA	1	D, P		ECB, ECH		Pressure & Return
	#5272 279AA	1	Z		ECB, ECH		Pressure & Return
4							HOSE, Power Steering
	#5272 844AA	1	Z		EJD		Return Hose
	#5272 845AA	1	D, P		EJD		Return Hose
	#5272 847AA	1	D, P		EJD		Pressure Hose
	#5272 848AA	1	Z		EJD		Pressure Hose
5							NUT, Tube Pressure Hose (Service with the Hose) , (NOT SERVICED)
6							CLAMP, Service in Hose Assy, (NOT SERVICED)
7	6101 506	1	Z				BOLT AND CONED WASHER, M8x1.25x18
8	6101 695	1			ECB, ECH, EJD		NUT, Hex Flange Lock, M8x1.25
9	6506 210AA	1					SCREW
-10							SWITCH, Power Steering
	5269 625	1	D, P			DD5, DGC	
		1	Z			DD5, DGC	
		1	D, P			DGL	
		1	Z			DGL	

DODGE - CHRYSLER NEON (PL)

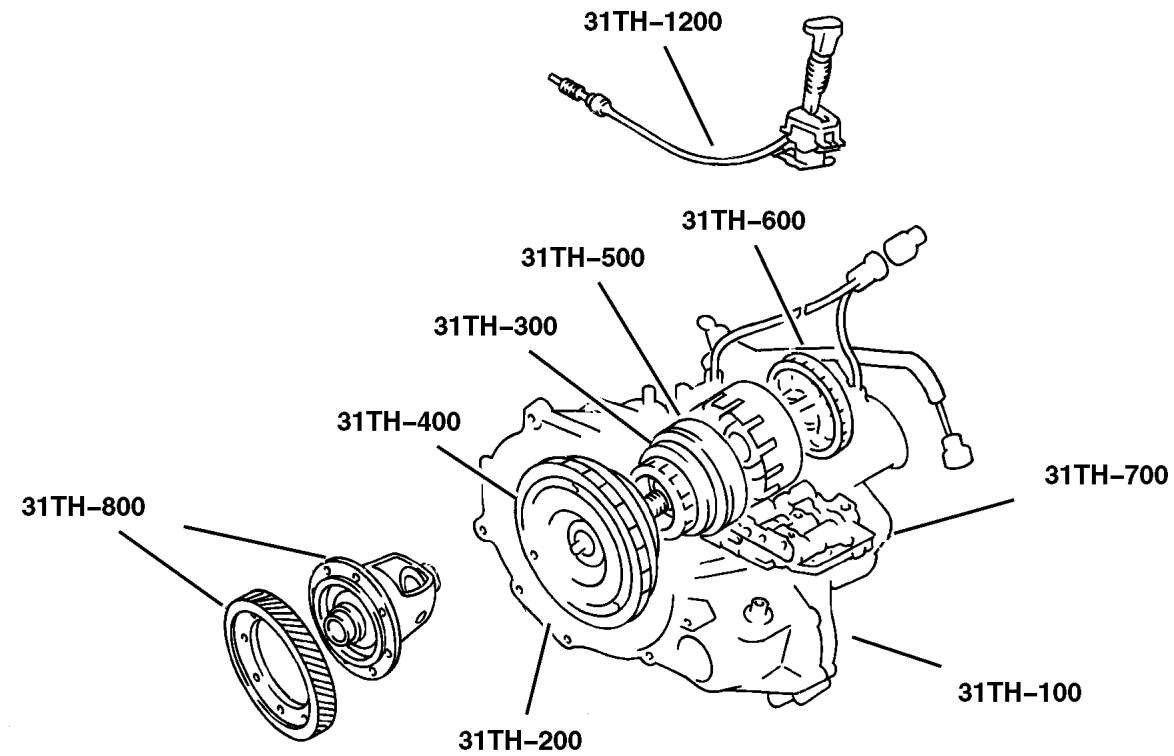
SERIES	LINE	BODY	ENGINE	TRANSMISSION
L=Low Line	Z=Chrysler, RHD	41 = 4 Door,	ECB,EC0=2.0L 4 Cyl., 16V SMPI	DD5=5 Speed Manual
H=High Line	D=Dodge	104WB	ECH,EC0=2.0L 4 Cyl, 16V SOHC	DGC=3 Speed Automatic
	D=Chrysler		EJD,EJ0=1.6L 4 Cyl 16V, SOHC	DGL=4 Speed Automatic
	P=Plymouth		EBD,EB0=1.8L 4 Cyl 16V SEF	DG0=All Automatics
				DBB=All 5 Speed Manual

AR = Use as required - = Non illustrated part # = New this model year

May 2, 2002

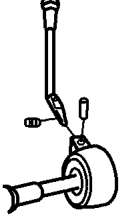
Group – 31TH




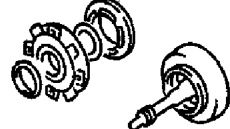
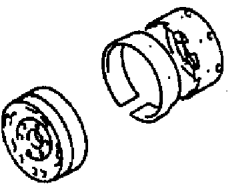
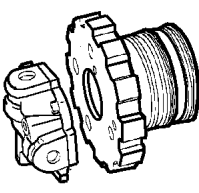
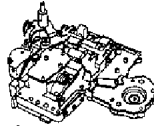
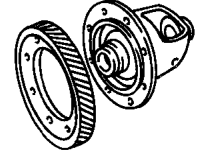
Automatic Transaxle 3 Speed



Group – 31TH

Automatic Transaxle 3 Speed

<p>31TH-1200 Gearshift Controls</p> 			
--	--	--	--

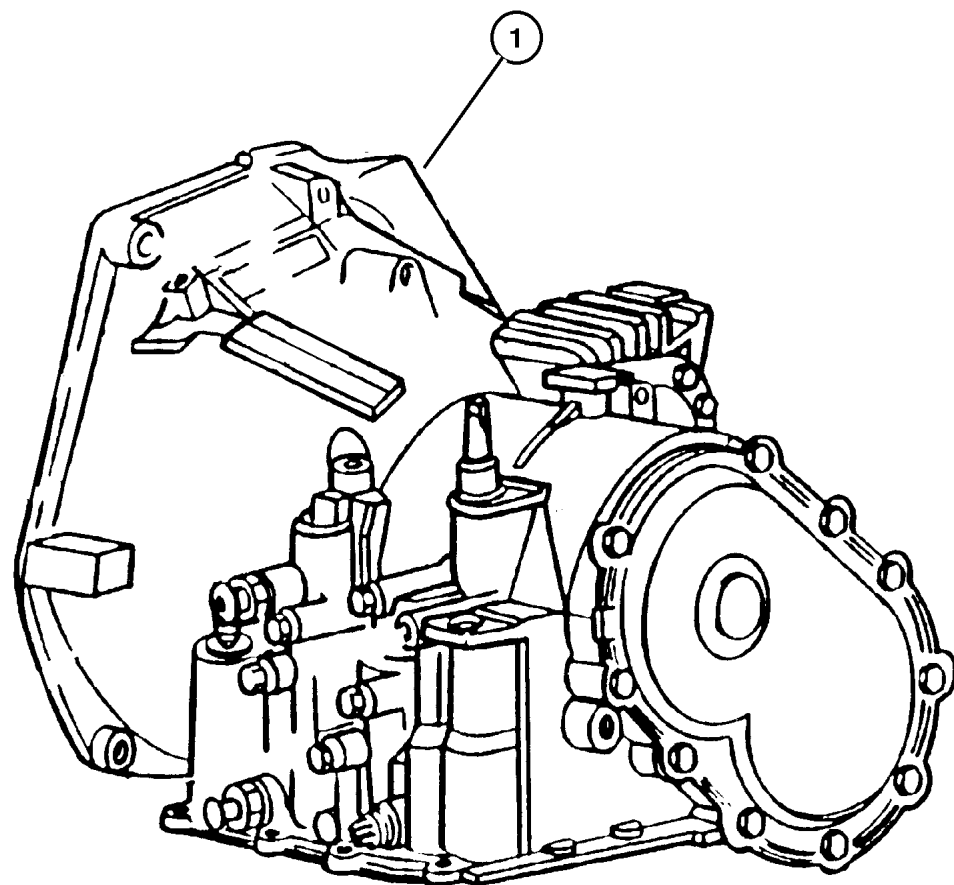
<p>31TH-100 Transaxle Assembly</p> 	<p>31TH-200 Case and Extension</p> 	<p>31TH-300 Oil Pump</p> 	<p>31TH-400 Gear Train</p> 
<p>31TH-500 Bands, Reverse and Kickdown</p> 	<p>31TH-600 Governor</p> 	<p>31TH-700 Valve Body</p> 	<p>31TH-800 Differential</p> 

GROUP 31TH - Automatic Transaxle 3 Speed

Illustration Title	Group-Fig. No.
Transaxle Assembly	
Transaxle Assembly, [DGC]	Fig. 31TH-120
Case and Extension	
Transaxle Mounting And Misc. Parts [DGC]	Fig. 31TH-203
Case, Extension And Retainer, [DGC]	Fig. 31TH-215
Oil Pump	
Pump, Oil With Reaction Shaft, [DGC]	Fig. 31TH-320
Gear Train	
Clutch, Rear And Input Shaft, [DGC]	Fig. 31TH-415
Shaft, Transfer, [DGC]	Fig. 31TH-425
Clutch, Front, [DGC]	Fig. 31TH-435
Gears, Front Annulus And Sun, [DGC]	Fig. 31TH-445
Shaft, Output, Rear Carrier, Reverse Drum, And Overrunning Clutch, [DGC]	Fig. 31TH-460
Bands, Reverse and Kickdown	
Bands, Reverse And Kickdown,[DGC]	Fig. 31TH-520
Governor	
Governor, [DGC]	Fig. 31TH-620
Valve Body	
Valve Body, [DGC]	Fig. 31TH-715
Servos, Accumulator Piston And Springs, [DGC]	Fig. 31TH-725
Parking Sprag, [DGC]	Fig. 31TH-740
Differential	
Differential, [DGC]	Fig. 31TH-820
Gearshift Controls	
Controls, Gearshift, Floor Shift, (DGC)	Fig. 31TH-1201

**Transaxle Assembly, [DGC]
Figure 31TH-120**

ITEM	PART NUMBER	QTY	LINE	SERIES	ENGINE	TRANS	DESCRIPTION
Note; Sales Codes n key.							
[DGC]= 3 Speed Automatic Transmissions n key.							
[DGL]= 4 Speed Automatic Transmissions 41TE n key.							
[ECB]= 2.0L 4 Cylinder Single Overhead Cam 16 Valve Engines n key.							
1							TRANSAXLE PACKAGE, WITH TORQUE CONVERTER
	#5014 299AD	1			ECB	DGC	Export - Production No. 04799901AD
	#5014 300AC	1			ECB	DGC	Production No. 4800309AC
	5014 763AB	1			ECB	DGC	
-2	#4796 384AC	1				DGC, DGL	CONVERTER PACKAGE, Torque

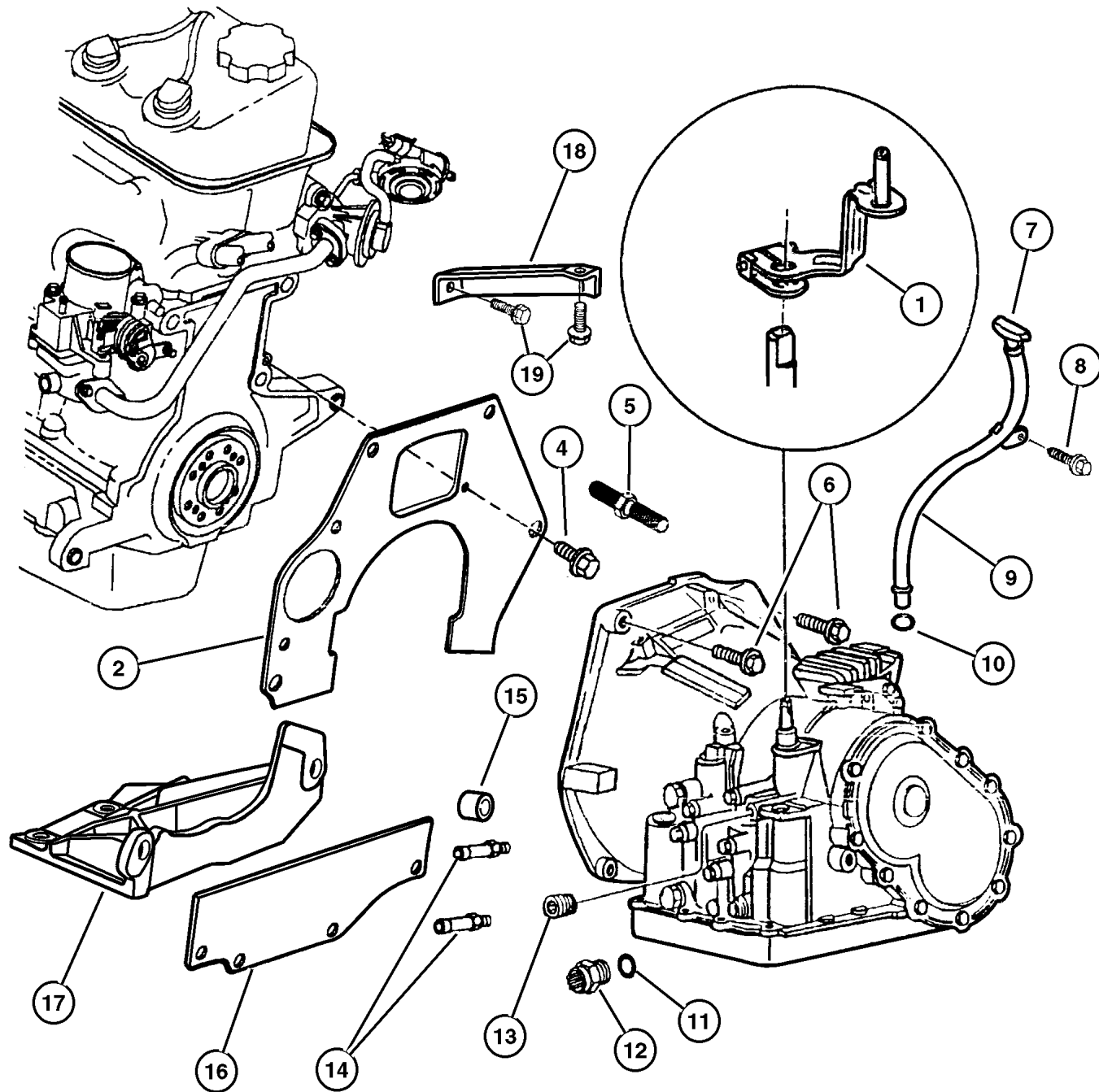


DODGE - CHRYSLER NEON (PL)				
SERIES	LINE	BODY	ENGINE	TRANSMISSION
L=Low Line	Z=Chrysler, RHD	41 = 4 Door,	ECB,EC0=2.0L 4 Cyl., 16V SMPI	DD5=5 Speed Manual
H=High Line	D=Dodge	104WB	ECH,EC0=2.0L 4 Cyl, 16V SOHC	DGC=3 Speed Automatic
	D=Chrysler		EJD,EJ0=1.6L 4 Cyl 16V, SOHC	DGL=4 Speed Automatic
	P=Plymouth		EBD,EB0=1.8L 4 Cyl 16V SEF	DG0=All Automatics
				DBB=All 5 Speed Manual

AR = Use as required - = Non illustrated part # = New this model year

May 2, 2002

**Transaxle Mounting And Misc. Parts [DGC]
Figure 31TH-203**



ITEM	PART NUMBER	QTY	LINE	SERIES	ENGINE	TRANS	DESCRIPTION
Note: Sales Codes n key.							
[DGC]= 3 Speed Automatic Transmissions n key.							
[DGL]= 4 Speed Automatic Transmissions 41TE n key.							
[EBD]= 1.8L 4 Cylinder Single Overhead Cam 16 Valve Engines n key.							
[ECB]= 2.0L 4 Cylinder Single Overhead Cam 16 Valve Engines n key.							
[ECH]= 2.0L 4 Cylinder Single Overhead Cam 16 Valve Hi Performance Engines n key.							
1	4670 320AB	1				DGC	LEVER, Gearshift
2	#4670 196AB	1				DGC, DGL	COVER, Transaxle Converter, Lower
-3	#4668 672AA	1			EBD, ECB, ECH	DD5	COVER, Transmission Dust, Upper
4	6501 755	1				DGC, DGL	SCREW AND WASHER, Hex Head, M6x1x16
5	6505 198AA	1			ECB	DGC	STUD
6	6501 742	3				DGC, DGL	SCREW, Hex Head, M12x1.75x50
7	4668 281	1				DGC	INDICATOR, Transmission Fluid Level
8	6506 019AA	2				DGC, DGL	BOLT AND WASHER, Hex Head, M10x1.5x30
9	4668 282	1				DGC	TUBE, Transmission Oil Filler
10	6030 608	1	D, Z			DGC, DGL	SEAL, Oil Filler Tube
11	2408 143	1			ECB	DGC	WASHER, Switch
12	3747 361	1			ECB	DGC	SWITCH, Neutral, Safety, Back Up
13	6030 035	7			ECB	DGC	PLUG, Pressure Check
14	4531 202	2			ECB	DGC	CONNECTOR, Oil Cooler Hose
15	5240 849	2			ECB		DOWEL, Block To Clutch Housing
16	#4670 196AB	1				DGC, DGL	COVER, Transaxle Converter
17	4668 270AB	1			EBD, ECB, ECH		COLLAR, Structural, Oil Pan To Transmission
18	4668 118AC	1				DGC, DGL	STRUT, Engine
19	6101 503	2			ECB		SCREW AND WASHER, Hex Head, M10x1.5x25

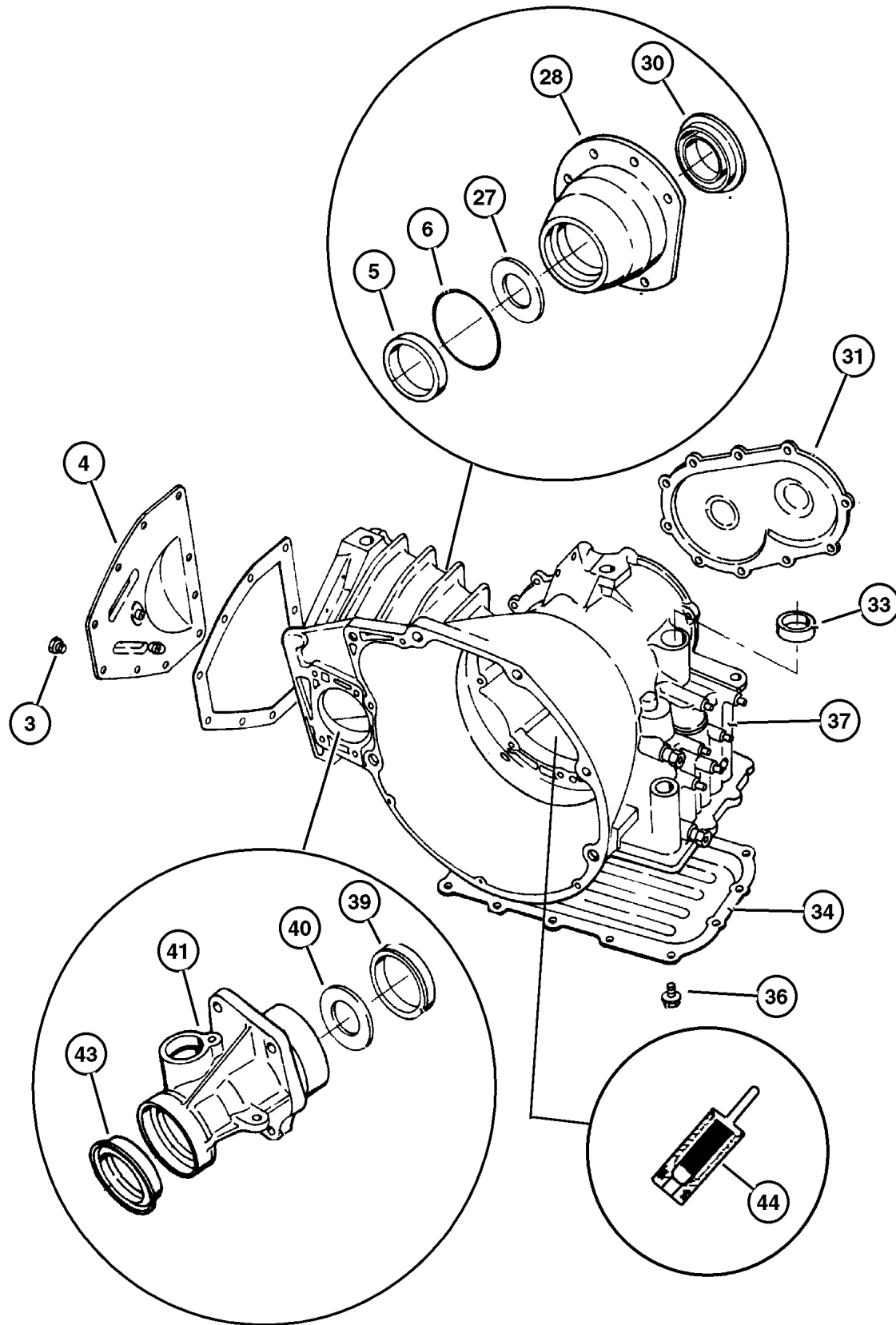
DODGE - CHRYSLER NEON (PL)

SERIES	LINE	BODY	ENGINE	TRANSMISSION
L=Low Line	Z=Chrysler, RHD	41 = 4 Door,	ECB,EC0=2.0L 4 Cyl., 16V SMPI	DD5=5 Speed Manual
H=High Line	D=Dodge	104WB	ECH,EC0=2.0L 4 Cyl, 16V SOHC	DGC=3 Speed Automatic
	D=Chrysler		EJD,EJ0=1.6L 4 Cyl 16V, SOHC	DGL=4 Speed Automatic
	P=Plymouth		EBD,EB0=1.8L 4 Cyl 16V SEF	DG0=All Automatics
				DBB=All 5 Speed Manual

AR = Use as required - = Non illustrated part # = New this model year

May 2, 2002

**Case, Extension And Retainer, [DGC]
Figure 31TH-215**



ITEM	PART NUMBER	QTY	LINE	SERIES	ENGINE	TRANS	DESCRIPTION
Note: Sales Codes n key.							
[DGC]= 3 Speed Automatic Transmissions n key.							
[ECB]= 2.0L 4 Cylinder Single Overhead Cam 16 Valve Engines n key.							
-1	4798 152AD	1			ECB	DGC	GASKET AND SEAL PACKAGE, Transaxle
-2	4798 215AD	1			ECB	DGC	OVERHAUL PACKAGE, Transaxle
3	6501 474	2			ECB	DGC	BOLT, Hex Head, M8x1.25x16
4	4659 738	1			ECB	DGC	PAN, Transaxle Differential Oil
5	4659 237	1			ECB	DGC	CUP, Differential Side Bearing
6	4659 257	AR			ECB	DGC	SPACER, Final Drive, 0.98mm
-7	4659 258	AR			ECB	DGC	SPACER, Final Drive, 1.02mm
-8	4659 259	AR			ECB	DGC	SPACER, Final Drive, 1.06mm
-9	4659 260	AR			ECB	DGC	SPACER, Final Drive, 1.10mm
-10	4659 261	AR			ECB	DGC	SPACER, Final Drive, 1.14mm
-11	4659 262	AR			ECB	DGC	SPACER, Final Drive, 1.18mm
-12	4659 263	AR			ECB	DGC	SPACER, Final Drive, 1.22mm
-13	4659 264	AR			ECB	DGC	SPACER, Final Drive, 1.26mm
-14	4659 265	AR			ECB	DGC	SPACER, Final Drive, 1.30mm
-15	4659 266	AR			ECB	DGC	SPACER, Final Drive, 1.34mm
-16	4659 267	AR			ECB	DGC	SPACER, Final Drive, 1.38mm
-17	4659 268	AR			ECB	DGC	SPACER, Final Drive, 1.42mm
-18	4659 269	AR			ECB	DGC	SPACER, Final Drive, 1.46mm
-19	4659 270	AR			ECB	DGC	SPACER, Final Drive, 1.50mm
-20	4659 271	AR			ECB	DGC	SPACER, Final Drive, 1.54mm
-21	4659 272	AR			ECB	DGC	SPACER, Final Drive, 1.58mm
-22	4659 273	AR			ECB	DGC	SPACER, Final Drive, 1.62mm
-23	4659 274	AR			ECB	DGC	SPACER, Final Drive, 1.66mm
-24	4659 275	AR			ECB	DGC	SPACER, Final Drive, 1.70mm
-25	4659 283	AR			ECB	DGC	SPACER, Final Drive, 2.02mm
-26	4659 284	AR			ECB	DGC	SPACER, Final Drive, 2.06mm
27	4659 290	1			ECB	DGC	DAM, Differential Extension Oil
28	4659 736	1			ECB	DGC	RETAINER, Differential Bearing
-29	6500 511	4			ECB	DGC	SCREW, Flange Head, M8x1.25x33
30	4412 522AB	1			ECB	DGC	SEAL
31	4659 342	1			ECB	DGC	COVER, Transaxle Rear
-32	6501 474	2			ECB	DGC	BOLT, Hex Head, M8x1.25x16
33	3878 447	1			ECB	DGC	SEAL, Manual Lever Shaft
34	4471 573	1			ECB	DGC	PAN, Transmission Oil
-35	4446 728	1			ECB	DGC	MAGNET, Transmission
36	6501 474	2			ECB	DGC	BOLT, Hex Head, M8x1.25x16
37	5016 260AA	1			ECB	DGC	CASE, Transmission
-38	6100 994	1			ECB	DGC	DOWEL, M6x16
39	4567 022	1			ECB	DGC	BEARING CUP, Differential

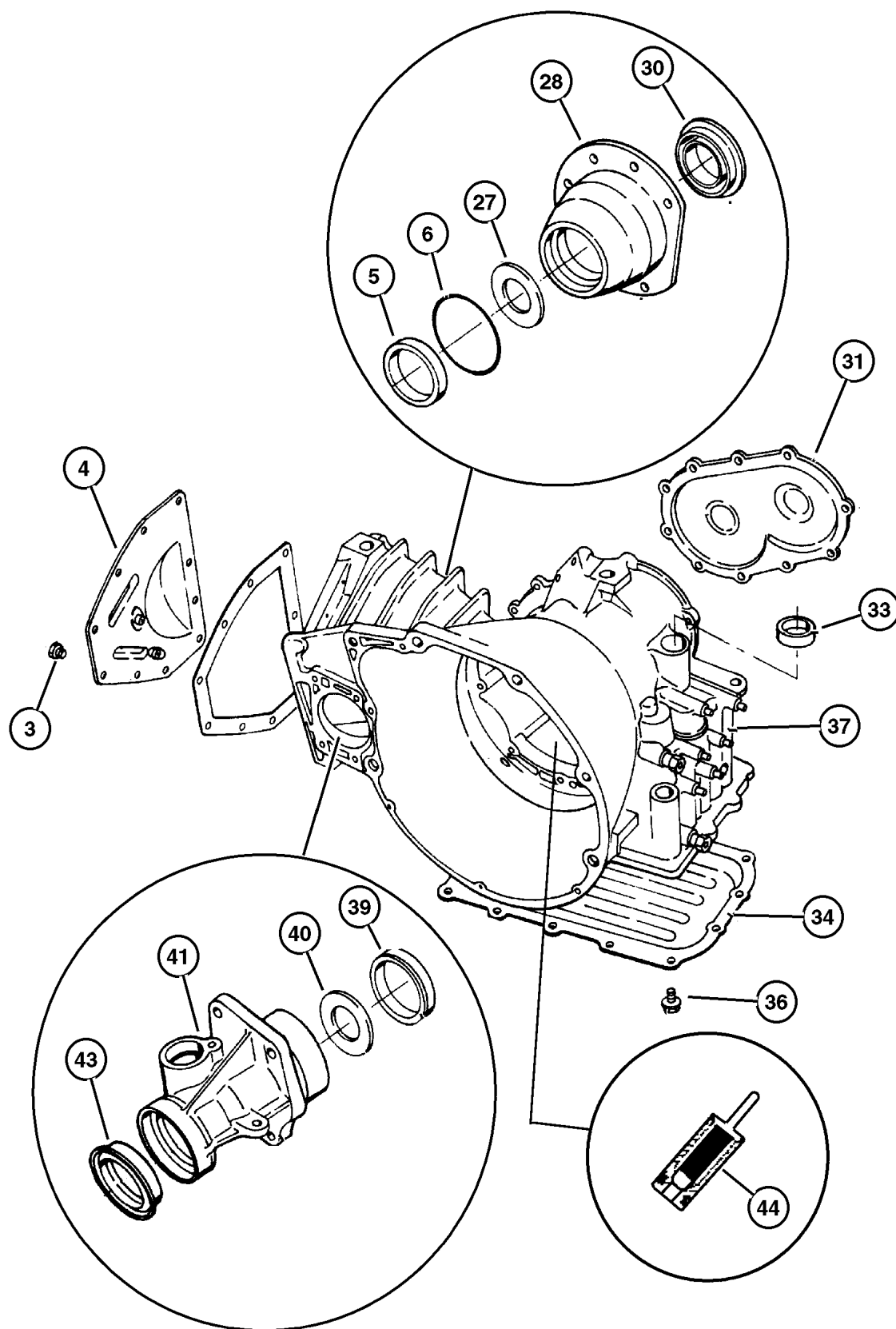
DODGE - CHRYSLER NEON (PL)

SERIES	LINE	BODY	ENGINE	TRANSMISSION
L=Low Line	Z=Chrysler, RHD	41 = 4 Door,	ECB,EC0=2.0L 4 Cyl., 16V SMPI	DD5=5 Speed Manual
H=High Line	D=Dodge	104WB	ECH,EC0=2.0L 4 Cyl, 16V SOHC	DGC=3 Speed Automatic
	D=Chrysler		EJD,EJ0=1.6L 4 Cyl 16V, SOHC	DGL=4 Speed Automatic
	P=Plymouth		EBD,EB0=1.8L 4 Cyl 16V SEF	DG0=All Automatics
				DBB=All 5 Speed Manual

AR = Use as required - = Non illustrated part # = New this model year

May 2, 2002

Case, Extension And Retainer, [DGC]
Figure 31TH-215



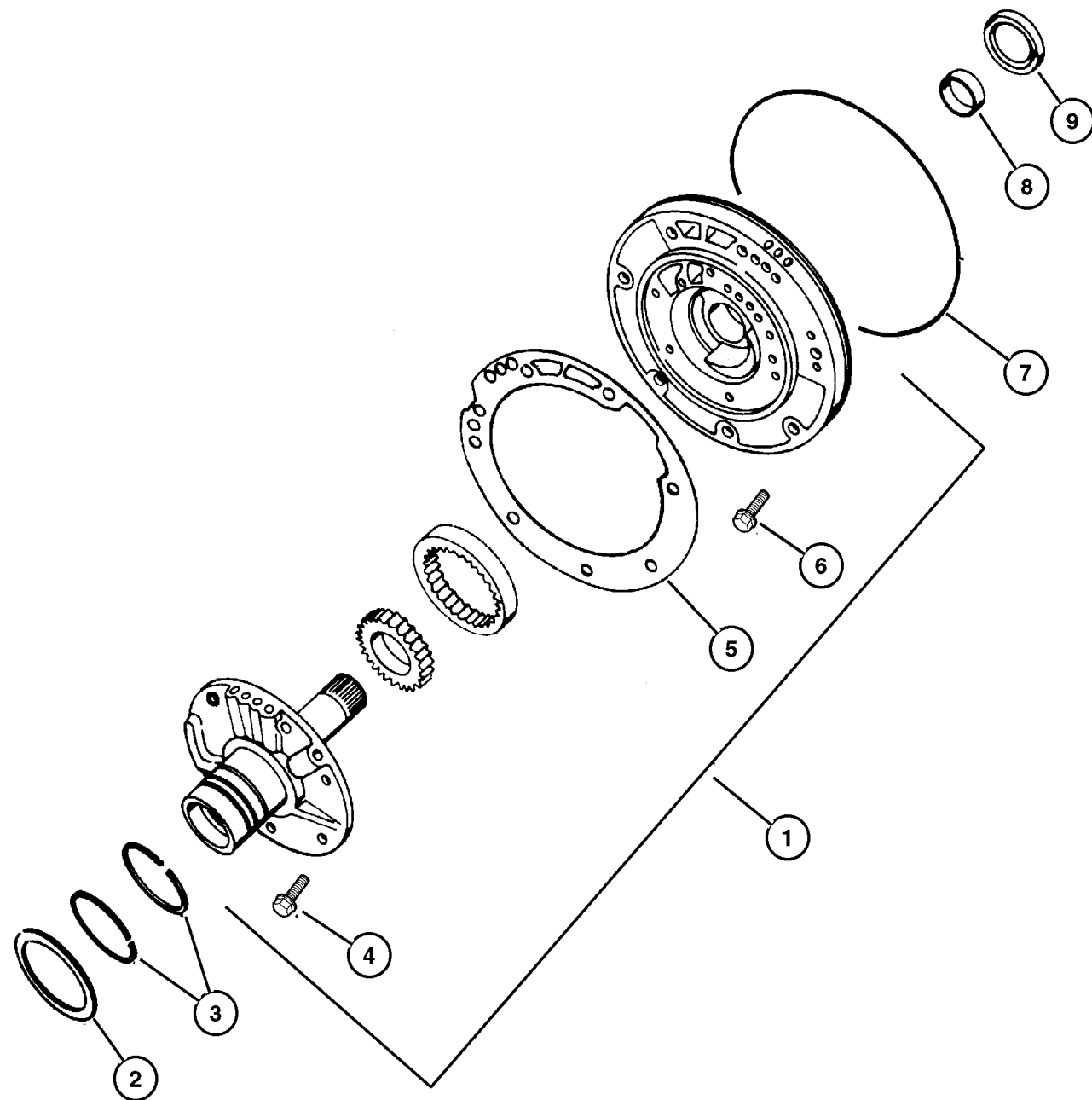
ITEM	PART NUMBER	QTY	LINE	SERIES	ENGINE	TRANS	DESCRIPTION
40	4567 494	1			ECB	DGC	RETAINER, Transmission Extension Oil
41	4549 219	1			ECB	DGC	EXTENSION PACKAGE, Transmission Rear
-42	6500 511	4			ECB	DGC	SCREW, Flange Head, M8x1.25x33
43	4412 522AB	1			ECB	DGC	SEAL
44	4800 018AA	1			ECB	DGC	VALVE, Cooler Bypass

DODGE - CHRYSLER NEON (PL)				
SERIES	LINE	BODY	ENGINE	TRANSMISSION
L=Low Line	Z=Chrysler, RHD	41 = 4 Door,	ECB,EC0=2.0L 4 Cyl., 16V SMPI	DD5=5 Speed Manual
H=High Line	D=Dodge	104WB	ECH,EC0=2.0L 4 Cyl, 16V SOHC	DGC=3 Speed Automatic
	D=Chrysler		EJD,EJ0=1.6L 4 Cyl 16V, SOHC	DGL=4 Speed Automatic
	P=Plymouth		EBD,EB0=1.8L 4 Cyl 16V SEF	DG0=All Automatics
				DBB=All 5 Speed Manual

AR = Use as required - = Non illustrated part # = New this model year

May 2, 2002

**Pump, Oil With Reaction Shaft, [DGC]
Figure 31TH-320**



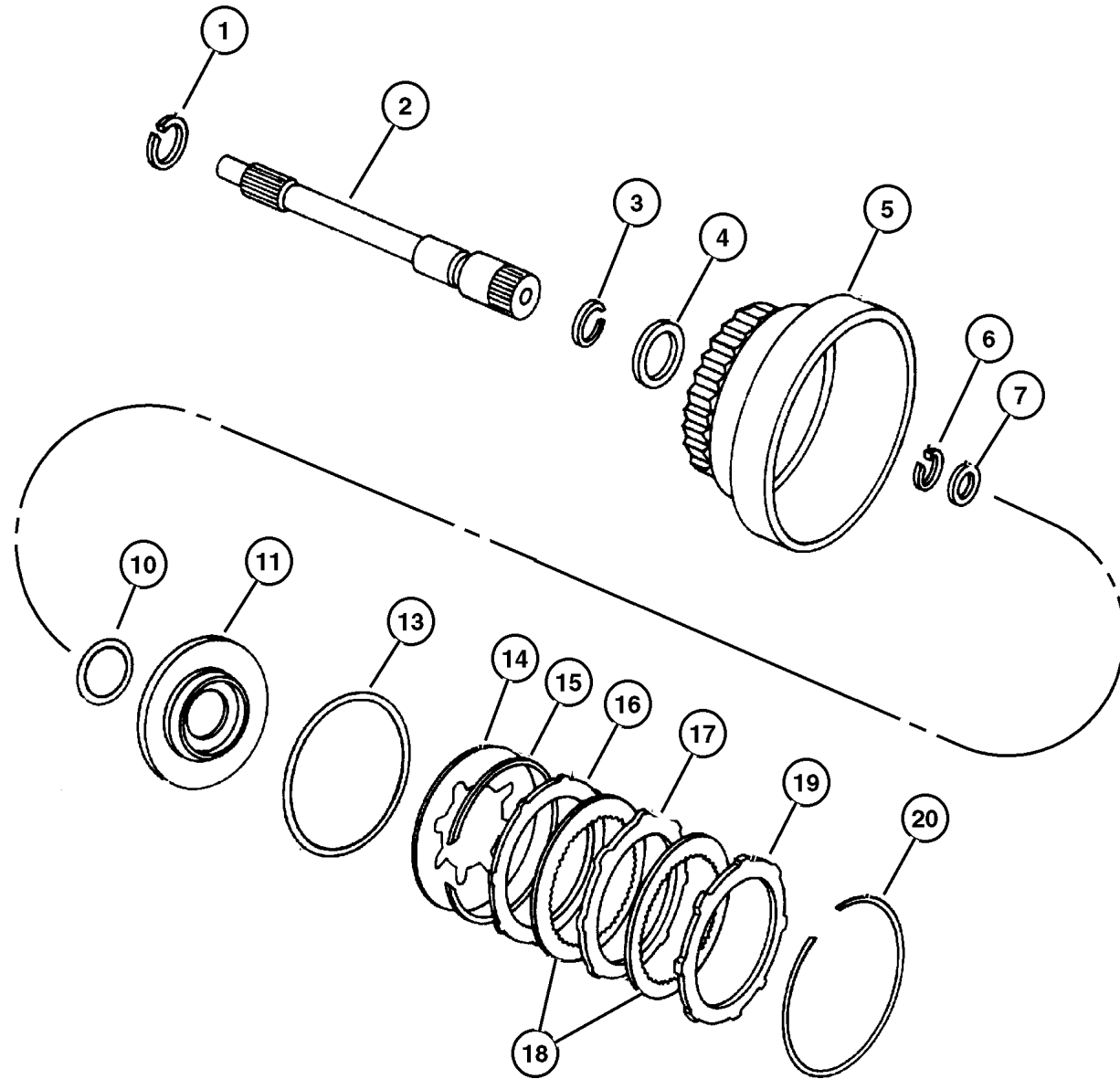
ITEM	PART NUMBER	QTY	LINE	SERIES	ENGINE	TRANS	DESCRIPTION
Note: Sales Codes n key.							
[DGC]= 3 Speed Automatic Transmissions n key.							
[ECB]= 2.0L 4 Cylinder Single Overhead Cam 16 Valve Engines n key.							
1	5016 410AA	1			ECB	DGC	PUMP, Transmission Oil
2	4567 026	1			ECB	DGC	THRUST WASHER, Oil Pump
3	5212 305	2			ECB	DGC	SEAL, Pump Reaction Shaft
4	6500 211	6			ECB	DGC	BOLT, Hex Head, M8x1.25x19
5	4269 661AB	1			ECB	DGC	GASKET, Transmission Oil Pump
6	6506 408AA	5			ECB	DGL	SCREW AND WASHER, Hex Flange Head, M8x1.25x25
7	4659 945	1			ECB	DGC	SEAL, Oil Pump
8	2466 796	1			ECB	DGC	BUSHING, Front Pump
9	4412 475	1			ECB	DGC	SEAL, Impeller Hub, 57.25mm OD

DODGE - CHRYSLER NEON (PL)				
SERIES	LINE	BODY	ENGINE	TRANSMISSION
L=Low Line	Z=Chrysler, RHD	41 = 4 Door,	ECB,EC0=2.0L 4 Cyl., 16V SMPI	DD5=5 Speed Manual
H=High Line	D=Dodge	104WB	ECH,EC0=2.0L 4 Cyl, 16V SOHC	DGC=3 Speed Automatic
	D=Chrysler		EJD,EJ0=1.6L 4 Cyl 16V, SOHC	DGL=4 Speed Automatic
	P=Plymouth		EBD,EB0=1.8L 4 Cyl 16V SEF	DG0=All Automatics
				DBB=All 5 Speed Manual

AR = Use as required - = Non illustrated part # = New this model year

May 2, 2002

Clutch, Rear And Input Shaft, [DGC] Figure 31TH-415



ITEM	PART NUMBER	QTY	LINE	SERIES	ENGINE	TRANS	DESCRIPTION
Note: Sales Codes n key.							
[DGC]= 3 Speed Automatic Transmissions n key.							
[ECB]= 2.0L 4 Cylinder Single Overhead Cam 16 Valve Engines n key.							
1	4377 047	3			ECB	DGC	SEAL, Input Shaft
2	4348 397	1			ECB	DGC	INPUT SHAFT, Transaxle
3	4269 593	1			ECB	DGC	SEAL, Rear Clutch Retainer, 1.75 OD
4	5205 680	1			ECB	DGC	THRUST WASHER, Rear Clutch
5	4348 856	1			ECB	DGC	RETAINER, Transmission Rear Clutch
6	5205 691	1			ECB	DGC	SNAP RING, Input Shaft
7	5224 039AB	AR			ECB	DGC	THRUST WASHER, Output Shaft, 1.98-2.03mm
-8	5224 040AB	AR			ECB	DGC	THRUST WASHER, Output Shaft, 2.16-2.21mm
-9	5224 041AB	AR			ECB	DGC	THRUST WASHER, Output Shaft, 2.34-2.39mm
10	5212 373	1			ECB	DGC	SEAL, Rear Clutch Piston
11	4207 202	1			ECB	DGC	PISTON, Clutch
-12	0147 483	1			ECB	DGC	CHECK BALL, Dia-.187
13	5205 701	1			ECB	DGC	SEAL, Rear Clutch Piston
14	4269 623	1			ECB	DGC	SPRING, Rear Clutch Piston
15	4207 265	1			ECB	DGC	SPRING, Rear Clutch
16	4269 618	1			ECB	DGC	PLATE, Transmission Clutch Reaction
17	4659 378	3			ECB	DGC	PLATE, Transmission Clutch Reaction
18	4659 191	4			ECB	DGC	DISC, Clutch
19	4269 619	1			ECB	DGC	PLATE, Transmission Clutch Reaction
20							SNAP RING
	1942 421	AR			ECB	DGC	.060-.062 Inch Thk.
	4130 774	AR			ECB	DGC	.074-.076 Inch Thk.
	4130 775	AR			ECB	DGC	.087-.089 Inch Thk.
	4269 670	AR			ECB	DGC	.048-.050 Inch Thk.

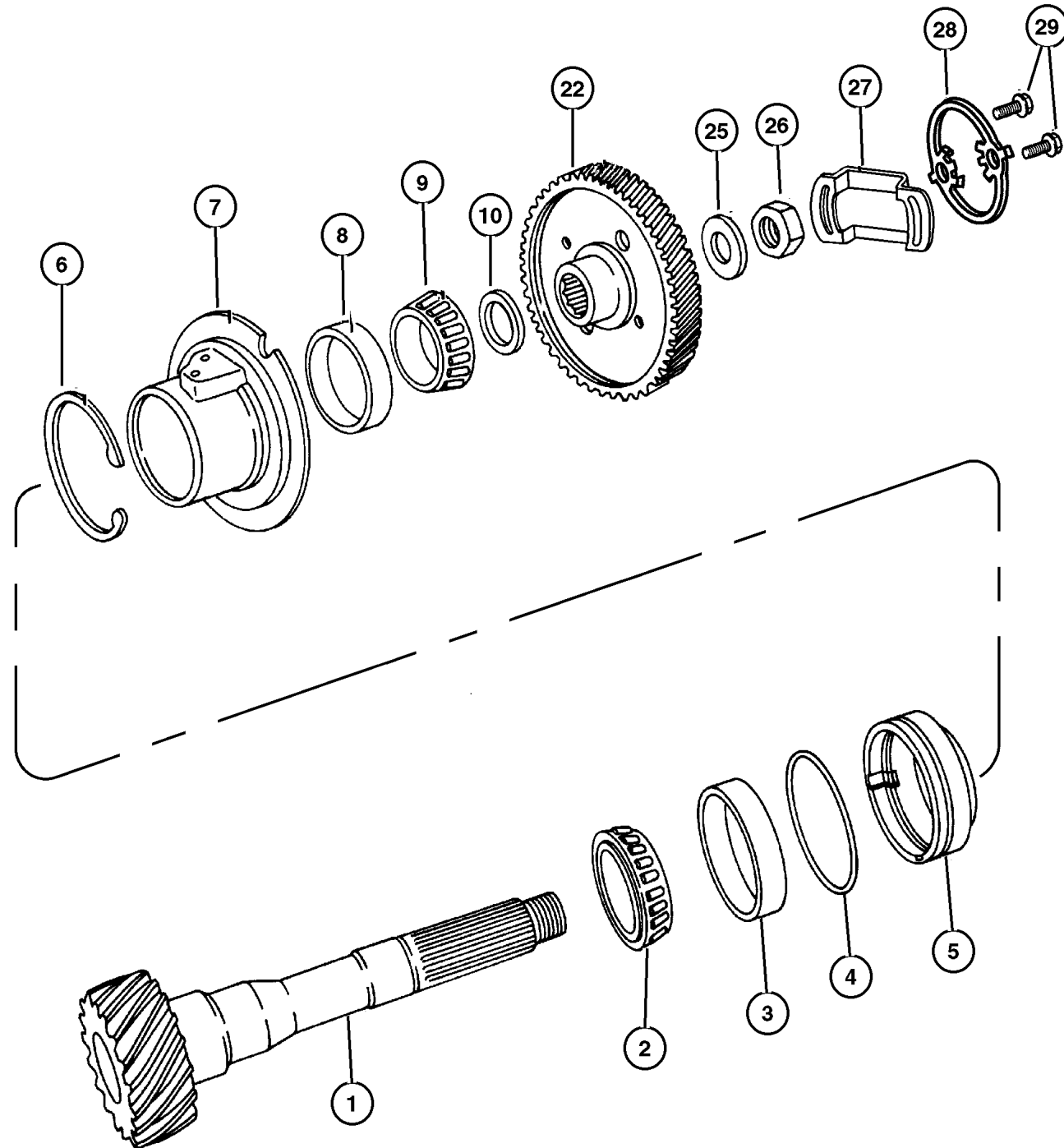
DODGE - CHRYSLER NEON (PL)

SERIES	LINE	BODY	ENGINE	TRANSMISSION
L=Low Line	Z=Chrysler, RHD	41 = 4 Door,	ECB,EC0=2.0L 4 Cyl., 16V SMPI	DD5=5 Speed Manual
H=High Line	D=Dodge	104WB	ECH,EC0=2.0L 4 Cyl, 16V SOHC	DGC=3 Speed Automatic
	D=Chrysler		EJD,EJ0=1.6L 4 Cyl 16V, SOHC	DGL=4 Speed Automatic
	P=Plymouth		EBD,EB0=1.8L 4 Cyl 16V SEF	DG0=All Automatics
				DBB=All 5 Speed Manual

AR = Use as required - = Non illustrated part # = New this model year

May 2, 2002

**Shaft, Transfer, [DGC]
Figure 31TH-425**



ITEM	PART NUMBER	QTY	LINE	SERIES	ENGINE	TRANS	DESCRIPTION
------	-------------	-----	------	--------	--------	-------	-------------

Note; Sales Codes n key.

[DGC]= 3 Speed Automatic Transmissions n key.

[ECB]= 2.0L 4 Cylinder Single Overhead Cam 16 Valve Engines n key.

1							SHAFT, Transfer Gear
	4659 624	1			ECB	DGC	20 Teeth, with 3.19 Ratio
	4659 626	1			ECB	DGC	21 Teeth, with 2.98 Ratio
2	4567 025AB	1			ECB	DGC	BEARING
3	4567 022	1			ECB	DGC	BEARING CUP, Differential
4	6500 169	1			ECB	DGC	O RING, Transfer Shaft Bearing Retainer, ATX
5	4269 688	1			ECB	DGC	RETAINER, Bearing
6	5212 353	1			ECB	DGC	SNAP RING
7	4295 836	1			ECB	DGC	RETAINER, Transmission Governor Support
8	4567 022	1			ECB	DGC	BEARING CUP, Differential
9	4567 025AB	1			ECB	DGC	BEARING
10	4207 166	1			ECB	DGC	SPACER, Transfer Shaft, 0.94mm(.037")
-11	4207 167	1			ECB	DGC	SPACER, Transfer Shaft, 0.99mm(.039")
-12	4207 168	1			ECB	DGC	SPACER, Transfer Shaft, 1.04mm(.041")
-13	4207 169	1			ECB	DGC	SPACER, Transfer Shaft, 1.09mm(.043")
-14	4207 170	1			ECB	DGC	SPACER, Transfer Shaft, 1.14mm(.045")
-15	4207 171	1			ECB	DGC	SPACER, Transfer Shaft, 1.19mm(.047")
-16	4207 172	1			ECB	DGC	SPACER, Transfer Shaft, 1.24mm(.051")
-17	4207 173	1			ECB	DGC	SPACER, Transfer Shaft, 1.29mm(.052")
-18	4207 174	1			ECB	DGC	SPACER, Transfer Shaft, 1.34mm(.053")
-19	4207 175	1			ECB	DGC	SPACER, Transfer Shaft, 1.39mm(.055")
-20	4207 176	1			ECB	DGC	SPACER, Transfer Shaft, 1.84mm(.072")
-21	4207 177	1			ECB	DGC	SPACER, Transfer Shaft, 2.29mm(.090")
22	4773 281	1			ECB	DGC	GEAR PACKAGE, Output And Transfer Shaft
-23	4772 591	1			ECB	DGC	GEAR, Transfer Shaft, Mexico Only
-24	4772 592	1			ECB	DGC	GEAR, Output Shaft, Mexico Only
25	5222 010	1			ECB	DGC	WASHER, Output Shaft
26	5222 009	1			ECB	DGC	NUT, Hex, M20x1.5
27	4567 336	2			ECB	DGC	STIRRUP, Retainer Nut
28	4659 134	2			ECB	DGC	STRAP, Retaining
29	6503 355	4			ECB	DGC	BOLT, Hex Head, M8x1.25x10.00

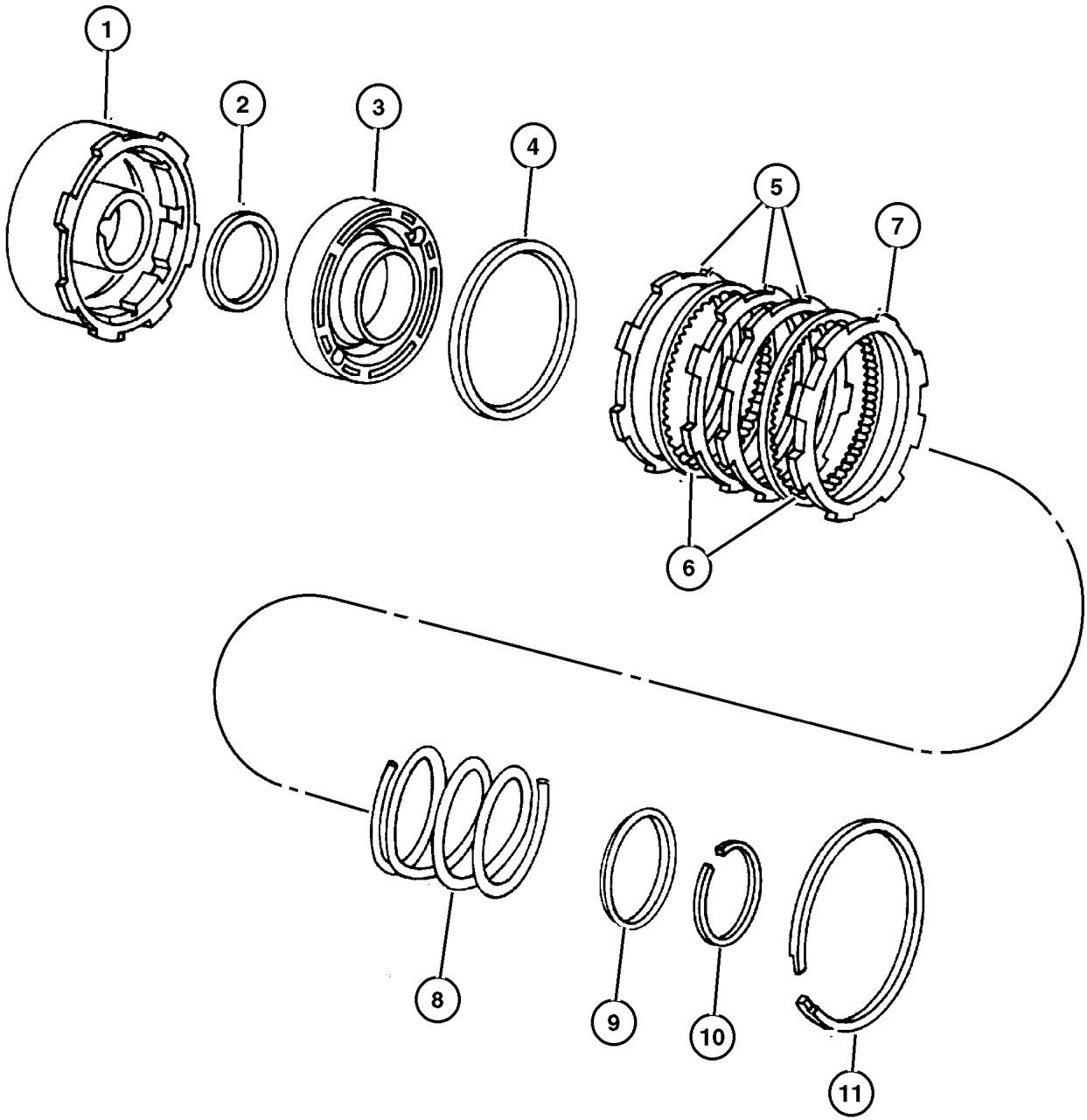
DODGE - CHRYSLER NEON (PL)

SERIES	LINE	BODY	ENGINE	TRANSMISSION
L=Low Line	Z=Chrysler, RHD	41 = 4 Door,	ECB,EC0=2.0L 4 Cyl., 16V SMPI	DD5=5 Speed Manual
H=High Line	D=Dodge	104WB	ECH,EC0=2.0L 4 Cyl, 16V SOHC	DGC=3 Speed Automatic
	D=Chrysler		EJD,EJ0=1.6L 4 Cyl 16V, SOHC	DGL=4 Speed Automatic
	P=Plymouth		EBD,EB0=1.8L 4 Cyl 16V SEF	DG0=All Automatics
				DBB=All 5 Speed Manual

AR = Use as required - = Non illustrated part # = New this model year

May 2, 2002

**Clutch, Front, [DGC]
Figure 31TH-435**



ITEM	PART NUMBER	QTY	LINE	SERIES	ENGINE	TRANS	DESCRIPTION
------	-------------	-----	------	--------	--------	-------	-------------

Note: Sales Codes n key.

[DGC]= 3 Speed Automatic Transmissions n key.

[ECB]= 2.0L 4 Cylinder Single Overhead Cam 16 Valve Engines n key.

1	4348 854	1			ECB	DGC	RETAINER, Transmission Front Clutch
2	4800 015AA	1			ECB	DGC	SEAL, Front Clutch Piston
3	4348 855	1			ECB	DGC	PISTON, Clutch
4	4800 017AA	1			ECB	DGC	SEAL, Front Piston Clutch
5	4659 379	4			ECB	DGC	PLATE, Transmission Clutch Reaction
6	4567 887	4			ECB	DGC	DISC, Direct Clutch
7	4348 888	1			ECB	DGC	PLATE, Transmission Clutch Reaction
8	4207 227	1			ECB	DGC	SPRING, Front Clutch
9	5205 673	1			ECB	DGC	RETAINER, Differential, Front Clutch Spring
10	5205 674	1			ECB	DGC	SNAP RING
11	4659 652	1			ECB	DGC	SNAP RING

DODGE - CHRYSLER NEON (PL)				
SERIES	LINE	BODY	ENGINE	TRANSMISSION
L=Low Line	Z=Chrysler, RHD	41 = 4 Door,	ECB,EC0=2.0L 4 Cyl., 16V SMPI	DD5=5 Speed Manual
H=High Line	D=Dodge	104WB	ECH,EC0=2.0L 4 Cyl, 16V SOHC	DGC=3 Speed Automatic
	D=Chrysler		EJD,EJ0=1.6L 4 Cyl 16V, SOHC	DGL=4 Speed Automatic
	P=Plymouth		EBD,EB0=1.8L 4 Cyl 16V SEF	DG0=All Automatics
				DBB=All 5 Speed Manual

AR = Use as required - = Non illustrated part # = New this model year

May 2, 2002

**Gears, Front Annulus And Sun, [DGC]
Figure 31TH-445**

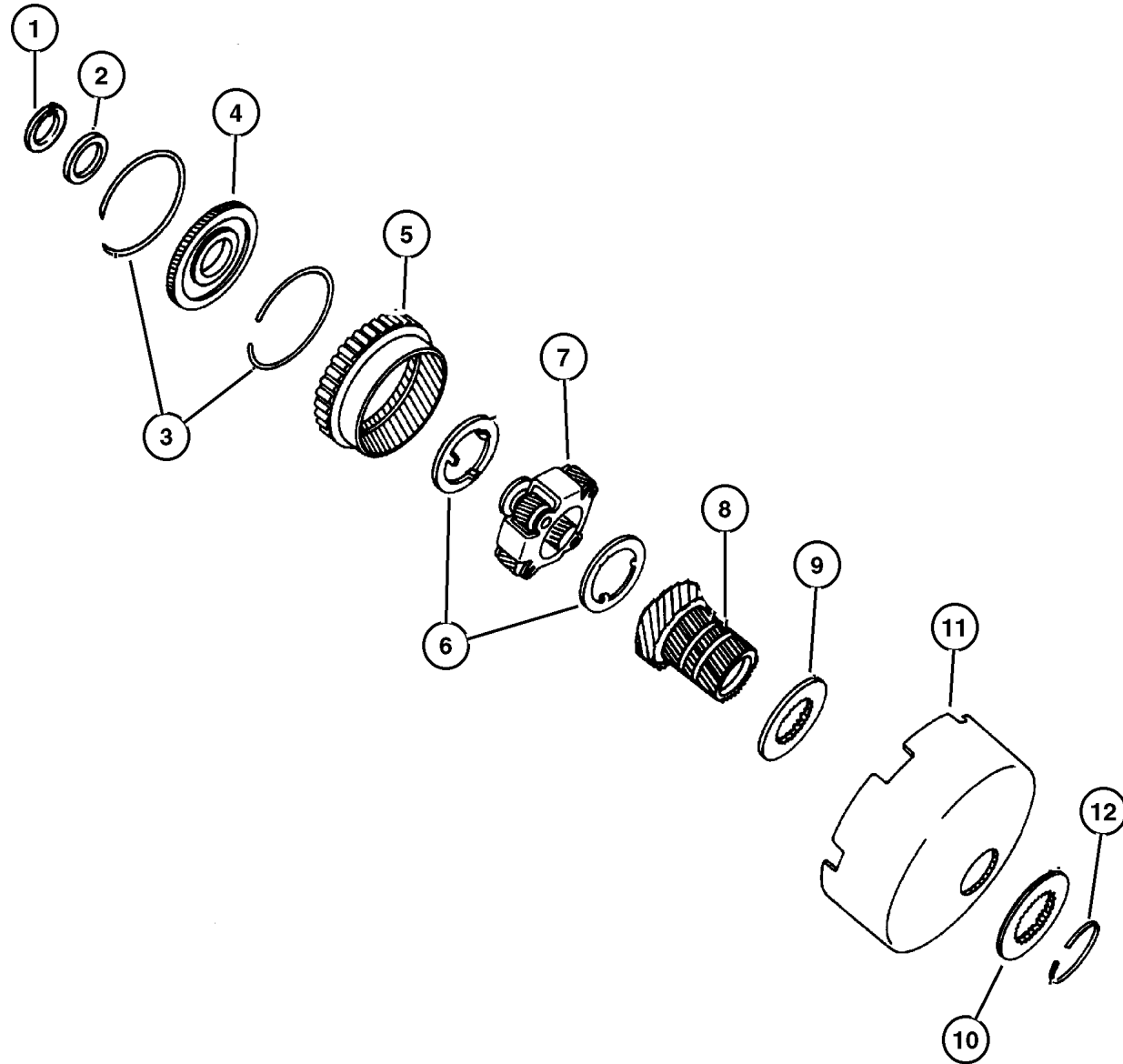
ITEM	PART NUMBER	QTY	LINE	SERIES	ENGINE	TRANS	DESCRIPTION
------	-------------	-----	------	--------	--------	-------	-------------

Note; Sales Codes n key.

[DGC]= 3 Speed Automatic Transmissions n key.

[ECB]= 2.0L 4 Cylinder Single Overhead Cam 16 Valve Engines n key.

1	5222 022	1			ECB	DGC	SNAP RING
2	5222 493	1			ECB	DGC	THRUST WASHER, Annulus Gear
3	5224 079	2			ECB	DGC	SNAP RING
4	5224 070	1			ECB	DGC	SUPPORT, Annulus Gear
5	4269 620	1			ECB	DGC	GEAR, Front Annulus
6	4659 163	2			ECB	DGC	THRUST WASHER, Planetary Carrier
7	4659 141	1			ECB	DGC	CARRIER, Planetary Pinion
8	4567 133	1			ECB	DGC	GEAR, Sun
9	5224 236	1			ECB	DGC	SPACER, Sun Gear
10	5205 737	1			ECB	DGC	PLATE, Transmission Module
11	4207 195	1			ECB	DGC	SHELL, Sun Gear
12	5205 739	1			ECB	DGC	SNAP RING, Sun Gear Shell



DODGE - CHRYSLER NEON (PL)

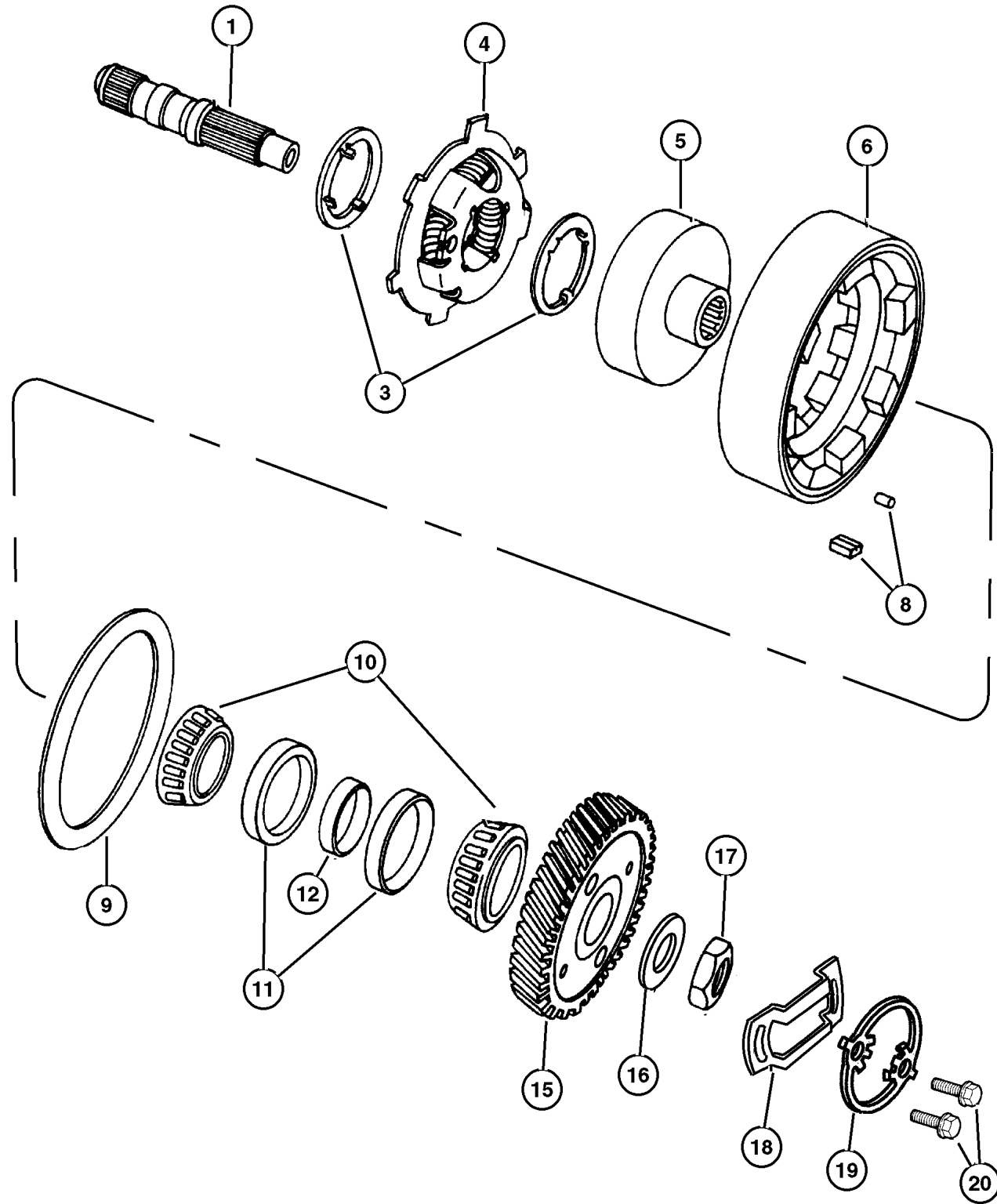
SERIES	LINE	BODY	ENGINE	TRANSMISSION
L=Low Line	Z=Chrysler, RHD	41 = 4 Door,	ECB,EC0=2.0L 4 Cyl., 16V SMPI	DD5=5 Speed Manual
H=High Line	D=Dodge	104WB	ECH,EC0=2.0L 4 Cyl, 16V SOHC	DGC=3 Speed Automatic
	D=Chrysler		EJD,EJ0=1.6L 4 Cyl 16V, SOHC	DGL=4 Speed Automatic
	P=Plymouth		EBD,EB0=1.8L 4 Cyl 16V SEF	DG0=All Automatics
				DBB=All 5 Speed Manual

AR = Use as required - = Non illustrated part # = New this model year

May 2, 2002

**Shaft, Output, Rear Carrier, Reverse Drum, And Overrunning Clutch, [DGC]
Figure 31TH-460**

ITEM	PART NUMBER	QTY	LINE	SERIES	ENGINE	TRANS	DESCRIPTION
Note: Sales Codes n key.							
[DGC]= 3 Speed Automatic Transmissions n key.							
[ECB]= 2.0L 4 Cylinder Single Overhead Cam 16 Valve Engines n key.							
1	4348 932	1			ECB	DGC	OUTPUT SHAFT, Rear Axle
-2	5205 691	1			ECB	DGC	SNAP RING, Input Shaft
3	5205 724	2			ECB	DGC	THRUST WASHER, Planetary Carrier
4	4659 414AB	1			ECB	DGC	CARRIER, Planetary Pinion
5	5222 047	1			ECB	DGC	GEAR, Rear Annulus
6	4659 545	1			ECB	DGC	DRUM, Automatic Transmission
-7	5222 137	1			ECB	DGC	FITTING, Reducer
8	4186 886	8			ECB	DGC	SRING AND ROLLER PACKAGE, Overrunning Clutch
9	5205 772	1			ECB	DGC	THRUST WASHER, Overrunning Clutch
10	4567 259	2			ECB	DGC	BEARING CONE, Output Shaft
11	4567 260	2			ECB	DGC	BEARING CUP, Output Shaft
12	4207 162	1			ECB	DGC	SPACER, Output Shaft, 12.65mm
-13	4207 163	1			ECB	DGC	SPACER, Output Shaft, 13.65mm
-14	5224 152	AR			ECB	DGC	SPACER, Output Shaft, 14.99mm
15	4773 281	1			ECB	DGC	GEAR PACKAGE, Output And Transfer Shaft
16	5222 010	1			ECB	DGC	WASHER, Output Shaft
17	5222 009	1			ECB	DGC	NUT, Hex, M20x1.5
18	4567 336	2			ECB	DGC	STIRRUP, Retainer Nut
19	4659 134	2			ECB	DGC	STRAP, Retaining
20	6503 355	4			ECB	DGC	BOLT, Hex Head, M8x1.25x10.00



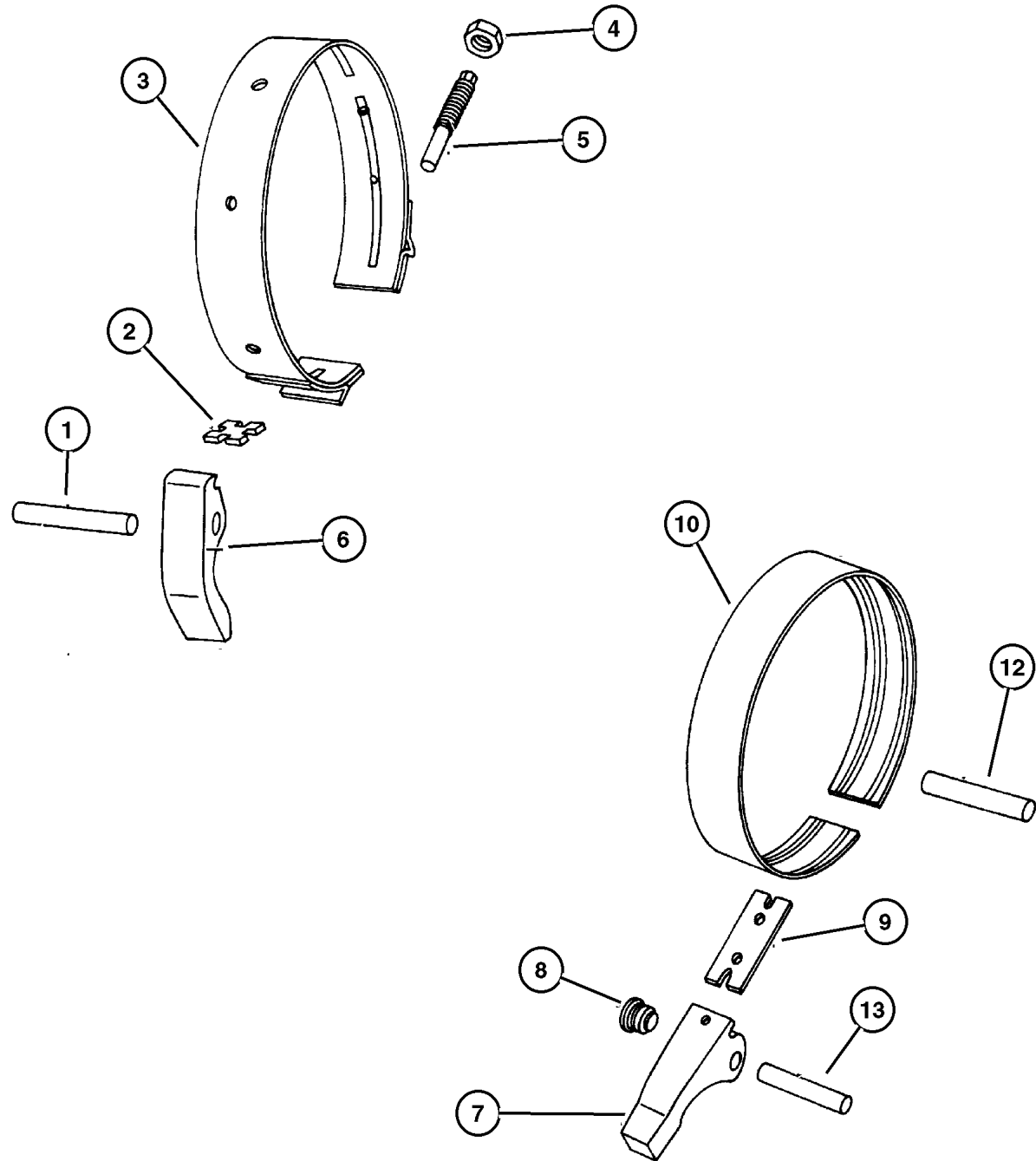
DODGE - CHRYSLER NEON (PL)

SERIES	LINE	BODY	ENGINE	TRANSMISSION
L=Low Line	Z=Chrysler, RHD	41 = 4 Door,	ECB,EC0=2.0L 4 Cyl., 16V SMPI	DD5=5 Speed Manual
H=High Line	D=Dodge	104WB	ECH,EC0=2.0L 4 Cyl, 16V SOHC	DGC=3 Speed Automatic
	D=Chrysler		EJD,EJ0=1.6L 4 Cyl 16V, SOHC	DGL=4 Speed Automatic
	P=Plymouth		EBD,EB0=1.8L 4 Cyl 16V SEF	DG0=All Automatics
				DBB=All 5 Speed Manual

AR = Use as required - = Non illustrated part # = New this model year

May 2, 2002

**Bands, Reverse And Kickdown,[DGC]
Figure 31TH-520**



ITEM	PART NUMBER	QTY	LINE	SERIES	ENGINE	TRANS	DESCRIPTION
Note: Sales Codes n key.							
[DGC]= 3 Speed Automatic Transmissions n key.							
[ECB]= 2.0L 4 Cylinder Single Overhead Cam 16 Valve Engines n key.							
1	4412 466	1			ECB	DGC	SHAFT, Band Lever
2	5212 343	1			ECB	DGC	STRUT, Kickdown Band
3	4659 732	1			ECB	DGC	BAND, Kickdown
4	6501 758	1			ECB	DGC	NUT, Band Adjusting Screw Lock
5	5212 255	1			ECB	DGC	STUD, Double Ended, M12x1.75/9x67
6	4348 857	1			ECB	DGC	LEVER, Kickdown
7	4207 182	1			ECB	DGC	LEVER, Reverse Band
8							PLUG, Pipe, .250-18x.560, (NOT SERVICED)
9	5224 264	1			ECB	DGC	STRUT, Reverse Band
10	4531 138	1			ECB	DGC	BAND, Reverse
-11	5224 140	1			ECB	DGC	SCREW, Reverse Band Adjusting, M8x1.25x42
12	5212 344	1			ECB	DGC	ANCHOR, Reverse Band
13	5222 090	1			ECB	DGC	SHAFT, Band Lever

DODGE - CHRYSLER NEON (PL)				
SERIES	LINE	BODY	ENGINE	TRANSMISSION
L=Low Line	Z=Chrysler, RHD	41 = 4 Door,	ECB,EC0=2.0L 4 Cyl., 16V SMPI	DD5=5 Speed Manual
H=High Line	D=Dodge	104WB	ECH,EC0=2.0L 4 Cyl, 16V SOHC	DGC=3 Speed Automatic
	D=Chrysler		EJD,EJ0=1.6L 4 Cyl 16V, SOHC	DGL=4 Speed Automatic
	P=Plymouth		EBD,EB0=1.8L 4 Cyl 16V SEF	DG0=All Automatics
				DBB=All 5 Speed Manual

AR = Use as required - = Non illustrated part # = New this model year

May 2, 2002

Governor, [DGC]
Figure 31TH-620

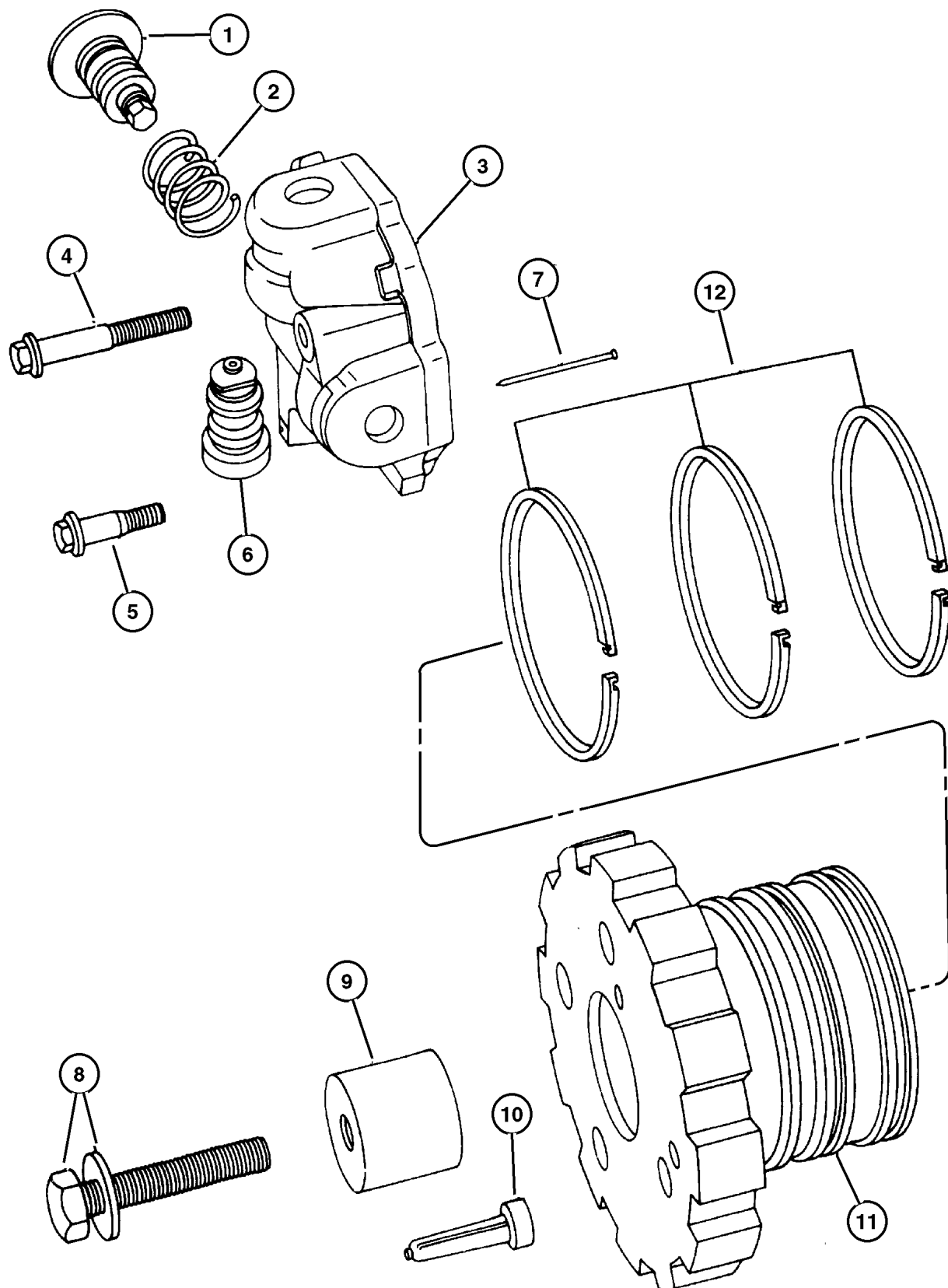
ITEM	PART NUMBER	QTY	LINE	SERIES	ENGINE	TRANS	DESCRIPTION
------	-------------	-----	------	--------	--------	-------	-------------

Note: Sales Codes n key.

[DGC]= 3 Speed Automatic Transmissions n key.

[ECB]= 2.0L 4 Cylinder Single Overhead Cam 16 Valve Engines n key.

1	4207 183	1			ECB	DGC	VALVE, Governor
2	4567 447	1			ECB	DGC	SPRING, Governor Valve
3	4659 366	1			ECB	DGC	BODY, Governor
4	6500 209	1			ECB	DGC	SCREW, Hex Flange Head Locking, M5x.8x37
5	6500 208	2			ECB	DGC	SCREW, Shoulder Hex Flange Head, M5x.8x20
6	4269 641	1			ECB	DGC	VALVE, Governor
7							PIN, (NOT SERVICED)
8	6100 306	1			ECB	DGC	BOLT AND CONED WASHER, Hex Head, M8x35x20
9	5212 265	1			ECB	DGC	COUNTER WEIGHT, Governor
10	5205 839	1			ECB	DGC	FILTER, Transmission Governor
11	4659 352	1			ECB	DGC	SUPPORT, Governor
12	4269 594	3			ECB	DGC	SEAL, Governor Support



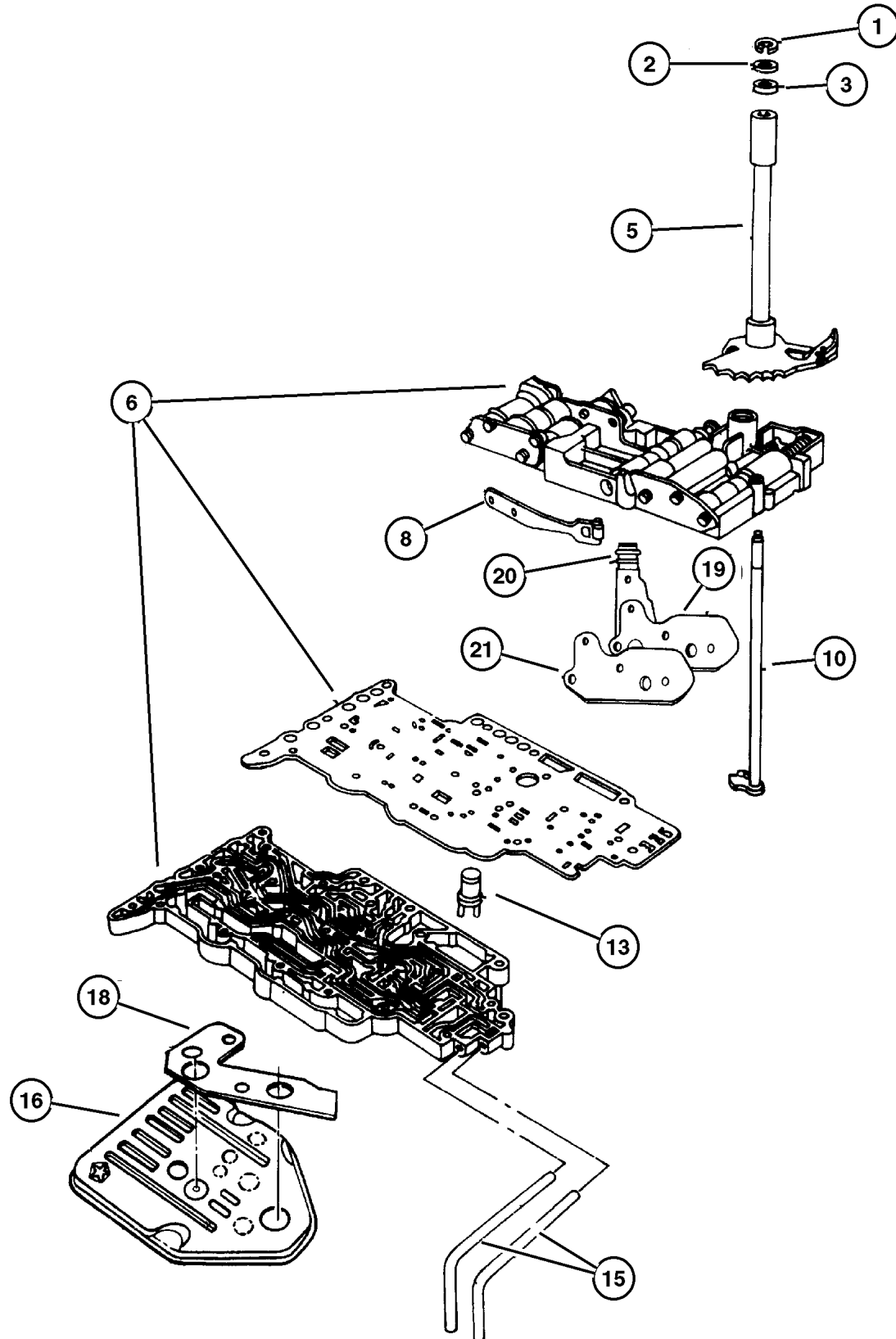
DODGE - CHRYSLER NEON (PL)

SERIES	LINE	BODY	ENGINE	TRANSMISSION
L=Low Line	Z=Chrysler, RHD	41 = 4 Door,	ECB,EC0=2.0L 4 Cyl., 16V SMPI	DD5=5 Speed Manual
H=High Line	D=Dodge	104WB	ECH,EC0=2.0L 4 Cyl, 16V SOHC	DGC=3 Speed Automatic
	D=Chrysler		EJD,EJ0=1.6L 4 Cyl 16V, SOHC	DGL=4 Speed Automatic
	P=Plymouth		EBD,EB0=1.8L 4 Cyl 16V SEF	DG0=All Automatics
				DBB=All 5 Speed Manual

AR = Use as required - = Non illustrated part # = New this model year

May 2, 2002

Valve Body, [DGC]
Figure 31TH-715



ITEM	PART NUMBER	QTY	LINE	SERIES	ENGINE	TRANS	DESCRIPTION
Note: Sales Codes n key.							
[DGC]= 3 Speed Automatic Transmissions n key.							
[DGL]= 4 Speed Automatic Transmissions 41TE n key.							
[ECB]= 2.0L 4 Cylinder Single Overhead Cam 16 Valve Engines n key.							
1	6035 208	1			ECB	DGC	SNAP RING
2	2538 062	1			ECB	DGC	WASHER, Manual Valve Lever
3	2466 548	1			ECB	DGC	SEAL, Valve Lever Shift
-4	6500 207	1			ECB	DGC	SCREW, Special Head, M5x.8x42.40
5							LEVER, Manual Valve, Serviced In Valve Body, (NOT SERVICED)
6	4567 993AD	1			ECB	DGC	VALVE BODY, Complete Use with 4800309AB Trans/ with 4800309AA Trans use part 4567993AC
	4659 612AE	1			ECB	DGC	Use with 4799901AC Trans, Export
-7	6100 994	1			ECB	DGC	DOWEL, M6x16
8	4269 584	1			ECB	DGC	DETENT, Valve Body
-9	4329 873	1			ECB	DGC	VALVE, Transmission Regulator
10	5212 244	1			ECB	DGC	SHAFT, Valve Body
-11	6503 232	1			ECB	DGC	SCREW, Pan Head, M5 x 0.8 x 12.60
-12	6500 215	16			ECB	DGC	SCREW AND WASHER, Pan Head, M5x.8x25
13	3878 313	1			ECB	DGC	SCREEN, Transmission Regulator Valve
-14	6100 155	7			ECB	DGC	BOLT, Hex Head, M8x30
15	5222 020	2			ECB	DGC	TUBE, Valve Body
16	4269 649	1			ECB	DGC	FILTER, Valve Body
-17	6500 216	2			ECB	DGC	SCREW AND WASHER, Pan Head, M5x.8x25
18	4269 671	1			ECB	DGC	GASKET, Transmission Fluid Filter
19	4799 954AA	1			ECB	DGC	SOLENOID, Transmission Lock Up
20	6030 608	1	D, Z			DGC, DGL	SEAL, Oil Filler Tube
21	4412 305	1			ECB	DGC	GASKET, Lock-up Solenoid

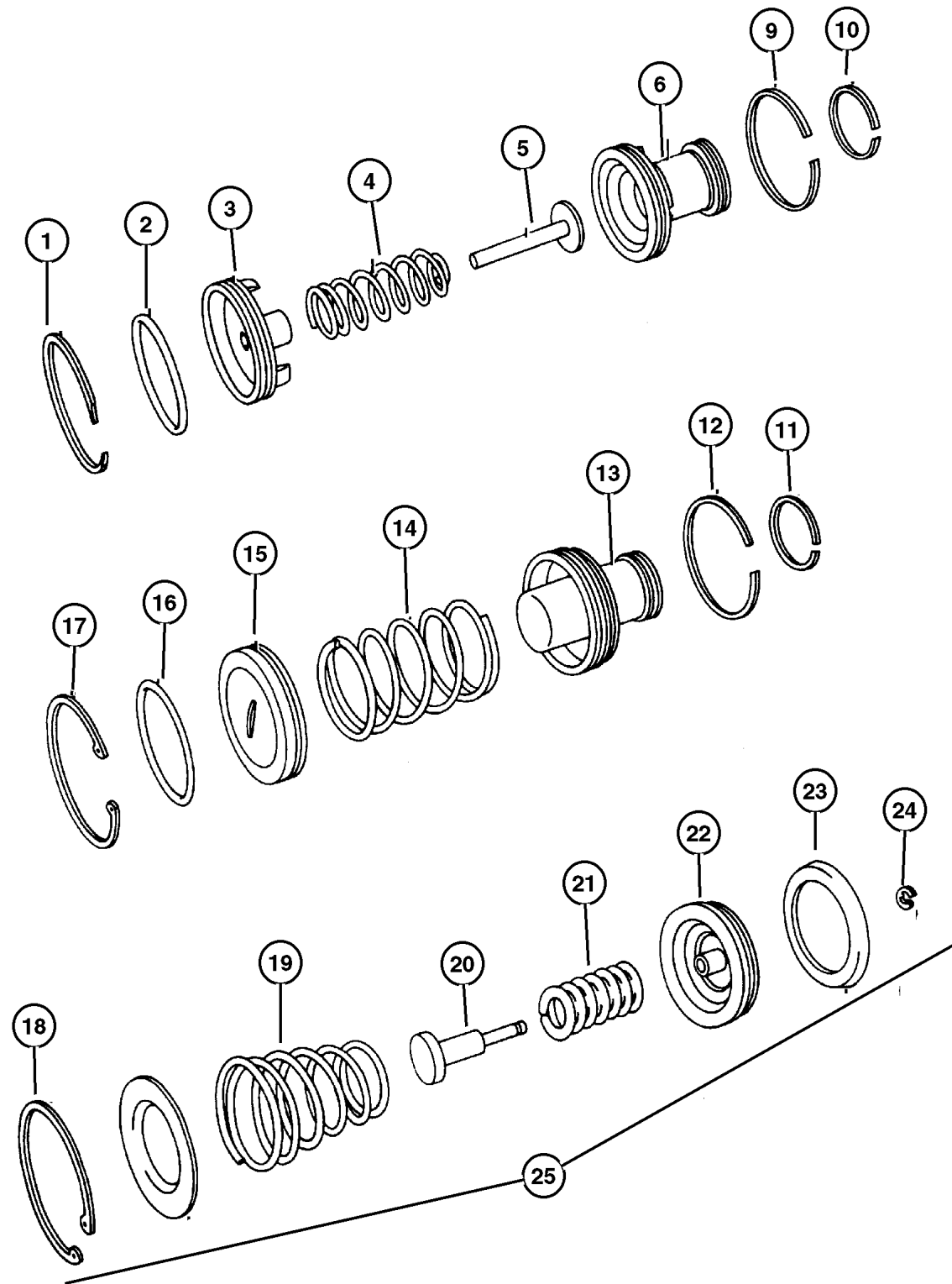
DODGE - CHRYSLER NEON (PL)

SERIES	LINE	BODY	ENGINE	TRANSMISSION
L=Low Line	Z=Chrysler, RHD	41 = 4 Door,	ECB,EC0=2.0L 4 Cyl., 16V SMPI	DD5=5 Speed Manual
H=High Line	D=Dodge	104WB	ECH,EC0=2.0L 4 Cyl, 16V SOHC	DGC=3 Speed Automatic
	D=Chrysler		EJD,EJ0=1.6L 4 Cyl 16V, SOHC	DGL=4 Speed Automatic
	P=Plymouth		EBD,EB0=1.8L 4 Cyl 16V SEF	DG0=All Automatics
				DBB=All 5 Speed Manual

AR = Use as required - = Non illustrated part # = New this model year

May 2, 2002

**Servos, Accumulator Piston And Springs, [DGC]
Figure 31TH-725**



ITEM	PART NUMBER	QTY	LINE	SERIES	ENGINE	TRANS	DESCRIPTION
Note; Sales Codes n key.							
[DGC]= 3 Speed Automatic Transmissions n key.							
[ECB]= 2.0L 4 Cylinder Single Overhead Cam 16 Valve Engines n key.							
1	6031 765	1			ECB	DGC	SNAP RING
2	6031 545	1			ECB	DGC	SEAL, Accumulator
3	5224 344	1			ECB	DGC	GUIDE, Kickdown Servo
4	4659 331AB	1			ECB	DGC	SPRING, Kickdown Servo Piston
5	4058 943	1			ECB	DGC	ROD, Kickdown Servo Piston
6	4269 524	1			ECB	DGC	PISTON, Kickdown Servo
-7	6025 031	1			ECB	DGC	SNAP RING, 1.205 OD
-8	6031 410	1			ECB	DGC	O RING, Trans Kickdown Servo
9	3743 014	1			ECB	DGC	SEAL, Kickdown Servo
10	3743 033	1			ECB	DGC	SEAL, Kickdown Servo
11	3743 010	1			ECB	DGC	SEAL, Piston Accumulator, Small
12	3743 013	1			ECB	DGC	SEAL, Piston Accumulator, large
13	3743 650	1			ECB	DGC	PISTON, Accumulator
14	4659 332AB	1			ECB	DGC	SPRING, Accumulator
15	4205 857	1			ECB	DGC	PLATE PACKAGE, Accumulator
16	6031 545	1			ECB	DGC	SEAL, Accumulator
17	5212 252	1			ECB	DGC	SNAP RING
18	6031 909	1			ECB	DGC	SNAP RING
19	3681 434	1			ECB	DGC	SPRING, Reverse Servo Piston
20	4269 707	1			ECB	DGC	PLUG, Reverse Servo
21	4659 179	1			ECB	DGC	SPRING, Reverse Servo Piston
22	4659 837	1			ECB	DGC	PISTON, Reverse Servo
23	4269 736	1			ECB	DGC	SEAL, Reverse Servo Piston
24	1638 461	1			ECB	DGC	SNAP RING
25	4882 433	1			ECB	DGC	REVERSE SERVO PACKAGE

DODGE - CHRYSLER NEON (PL)

SERIES	LINE	BODY	ENGINE	TRANSMISSION
L=Low Line	Z=Chrysler, RHD	41 = 4 Door,	ECB,EC0=2.0L 4 Cyl., 16V SMPI	DD5=5 Speed Manual
H=High Line	D=Dodge	104WB	ECH,EC0=2.0L 4 Cyl, 16V SOHC	DGC=3 Speed Automatic
	D=Chrysler		EJD,EJ0=1.6L 4 Cyl 16V, SOHC	DGL=4 Speed Automatic
	P=Plymouth		EBD,EB0=1.8L 4 Cyl 16V SEF	DG0=All Automatics
				DBB=All 5 Speed Manual

AR = Use as required - = Non illustrated part # = New this model year

**Parking Sprag, [DGC]
Figure 31TH-740**

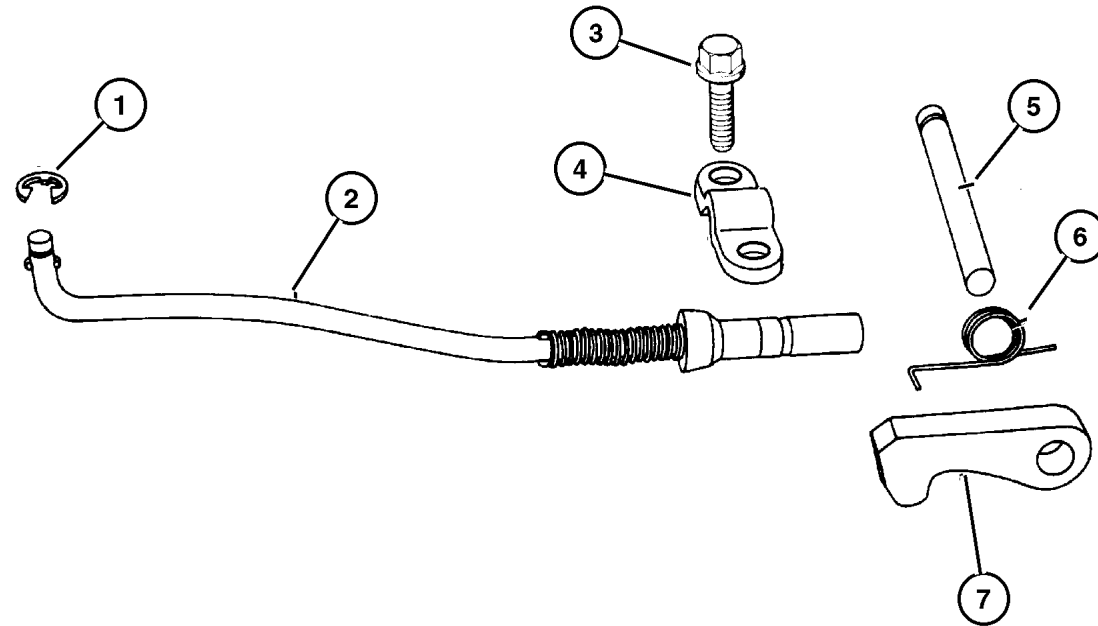
ITEM	PART NUMBER	QTY	LINE	SERIES	ENGINE	TRANS	DESCRIPTION
------	-------------	-----	------	--------	--------	-------	-------------

Note; Sales Codes n key.

[DGC]= 3 Speed Automatic Transmissions n key.

[ECB]= 2.0L 4 Cylinder Single Overhead Cam 16 Valve Engines n key.

1	6035 256	1			ECB	DGC	SNAP RING, Rod
2	4431 530	1			ECB	DGC	ROD, Parking Sprag
3	6500 368	2			ECB	DGC	BOLT, Hex Flange Head, M8x1.25x23
4	5212 296	1			ECB	DGC	SUPPORT, Parking Sprag Rod
5	5212 010	1			ECB	DGC	SHAFT, Parking Sprag
6	5222 244	1			ECB	DGC	SPRING, Parking Sprag
7	5003 447AA	1			ECB	DGC	PAWL, Parking Sprag



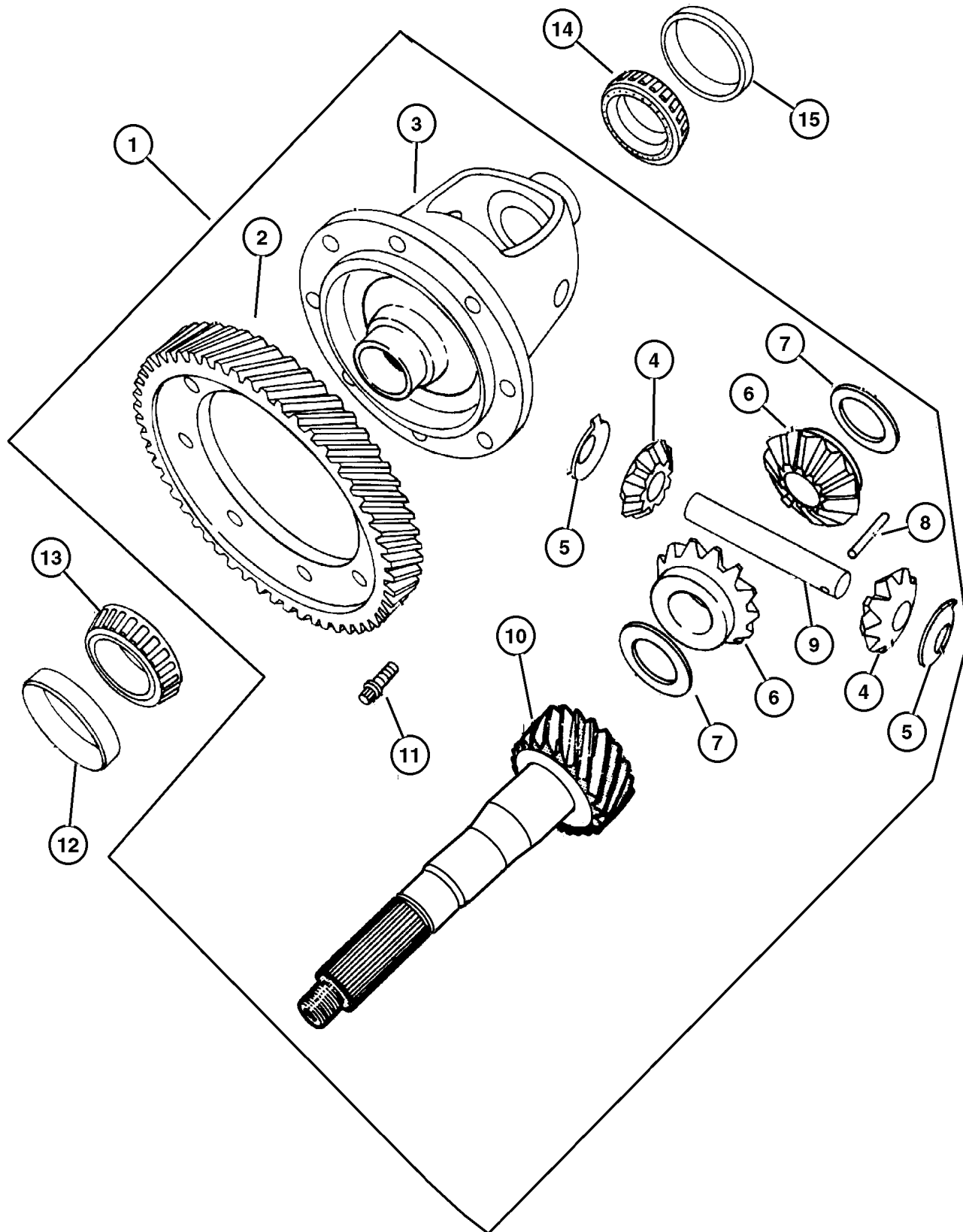
DODGE - CHRYSLER NEON (PL)

SERIES	LINE	BODY	ENGINE	TRANSMISSION
L=Low Line	Z=Chrysler, RHD	41 = 4 Door,	ECB,EC0=2.0L 4 Cyl., 16V SMPI	DD5=5 Speed Manual
H=High Line	D=Dodge	104WB	ECH,EC0=2.0L 4 Cyl, 16V SOHC	DGC=3 Speed Automatic
	D=Chrysler		EJD,EJ0=1.6L 4 Cyl 16V, SOHC	DGL=4 Speed Automatic
	P=Plymouth		EBD,EB0=1.8L 4 Cyl 16V SEF	DG0=All Automatics
				DBB=All 5 Speed Manual

AR = Use as required - = Non illustrated part # = New this model year

May 2, 2002

**Differential, [DGC]
Figure 31TH-820**



ITEM	PART NUMBER	QTY	LINE	SERIES	ENGINE	TRANS	DESCRIPTION
Note: Sales Codes n key.							
[DGC]= 3 Speed Automatic Transmissions n key.							
[ECB]= 2.0L 4 Cylinder Single Overhead Cam 16 Valve Engines n key.							
1	4659 680AB	1			ECB	DGC	DIFFERENTIAL, Transaxle
2	4659 627	1			ECB	DGC	GEAR, Differential Drive
3	4659 455	1			ECB	DGC	CASE, Transaxle
4	4348 679	2			ECB	DGC	PINION, Differential
5	4412 521	2			ECB	DGC	WASHER, Thrust
6	4659 502	2			ECB	DGC	GEAR, Differential Side
7	4504 568	1			ECB	DD5	WASHER PACKAGE, Side Gear Thrust
8	6503 827	1			ECB	DGC	PIN, Pinion Shaft
9	4659 142	1			ECB	DGC	SHAFT, Pinion Gear
10							SHAFT, Transfer Gear
	4659 624	1			ECB	DGC	Mexico Only
	4659 626	1			ECB	DGC	
11	6501 240	12			ECB	DGC	BOLT, Hex Head, M10x1.00x25
12	4659 237	1			ECB	DGC	CUP, Differential Side Bearing
13	4659 238	1			ECB	DGC	BEARING CONE, Differential
14	4567 025AB	1			ECB	DGC	BEARING
15	4567 022	1			ECB	DGC	BEARING CUP, Differential

DODGE - CHRYSLER NEON (PL)				
SERIES	LINE	BODY	ENGINE	TRANSMISSION
L=Low Line	Z=Chrysler, RHD	41 = 4 Door,	ECB,EC0=2.0L 4 Cyl., 16V SMPI	DD5=5 Speed Manual
H=High Line	D=Dodge	104WB	ECH,EC0=2.0L 4 Cyl, 16V SOHC	DGC=3 Speed Automatic
	D=Chrysler		EJD,EJ0=1.6L 4 Cyl 16V, SOHC	DGL=4 Speed Automatic
	P=Plymouth		EBD,EB0=1.8L 4 Cyl 16V SEF	DG0=All Automatics
				DBB=All 5 Speed Manual

AR = Use as required - = Non illustrated part # = New this model year

May 2, 2002

**Controls, Gearshift, Floor Shift, (DGC)
Figure 31TH-1201**

ITEM	PART NUMBER	QTY	LINE	SERIES	ENGINE	TRANS	DESCRIPTION
------	-------------	-----	------	--------	--------	-------	-------------

NOTE: SALES CODES: DGC = 3 Spd Auto Trans 31TH n key.

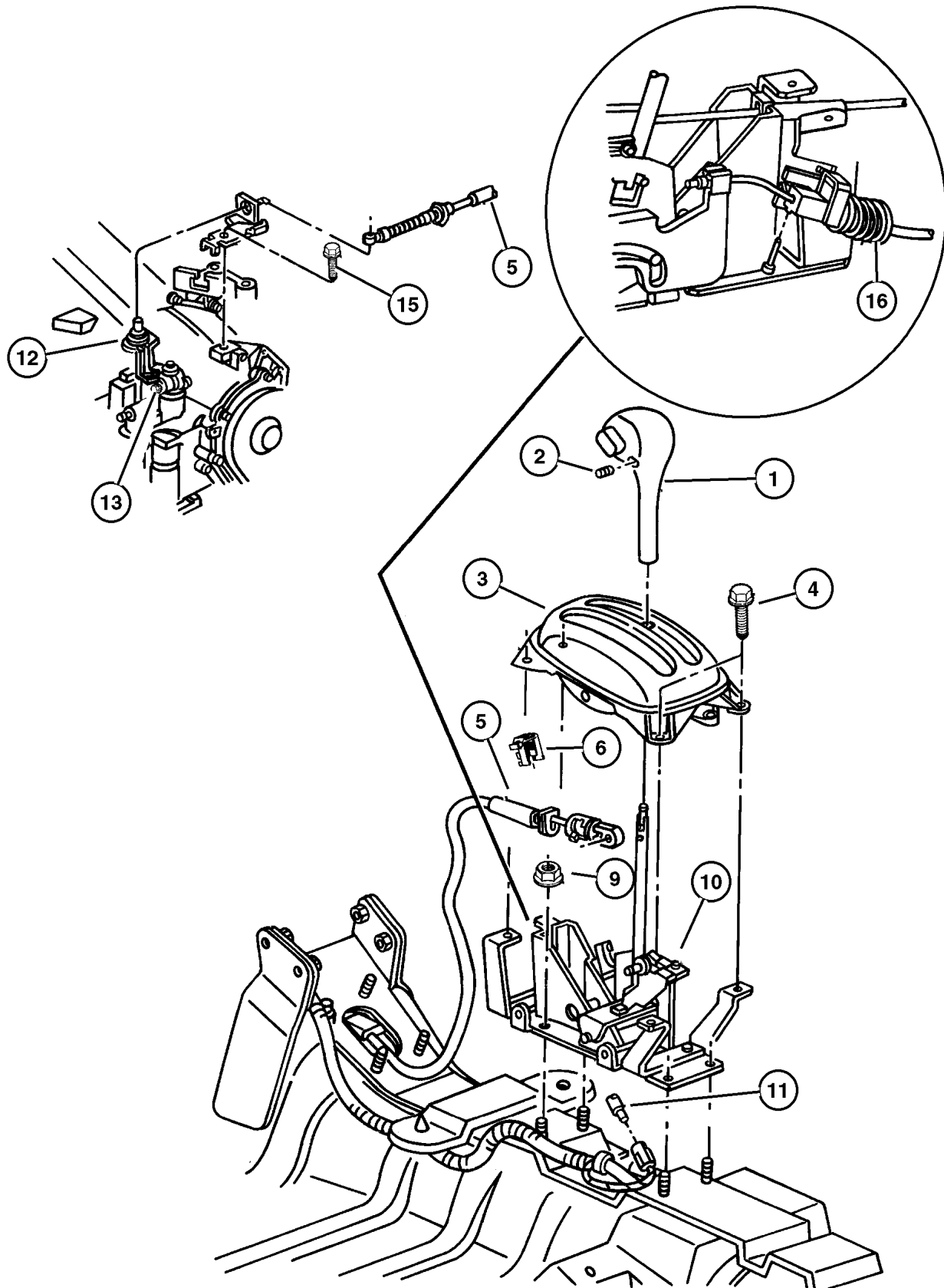
1	4668 575AB	1				DGC, DGL	KNOB, Gearshift w/o Leather Wrapped
	4668 576AB	1				DGC, DGL	Leather Wrapped
2	6504 104	1				DGC, DGL	SCREW, Set
3	4671 417AD	1	D, P			DGC	BEZEL, Console PRNDL
4							SCREW, M5-.80x15, (NOT SERVICED)
5	4668 900AF	1				DGC, DGL	CABLE, Gearshift Control
6	4668 630AB	1				DGC, DGL	CLIP, Locking
-7	6016 072	1	Z			DGC, DGL	CLIP, Shift Cable
-8	4670 042AF	1					PLATE, Transmission Shifter
9	6100 048	1					NUT, Hex, M6x1.00
10	4668 205AF	1				DGC, DGL	SHIFTER, Transmission
11	L000 0194	1				DGC, DGL	BULB, 194
12	4670 320AB	1				DGC	LEVER, Gearshift
13	6101 978	1				DGC	SCREW AND WASHER, Hex Head, M8-1.25x40
-14	5212 384	1			ECB	DGC	NUT, Transmission Lever Bolt, M6x1.00
15	6101 462	3					SCREW AND WASHER, Hex Head, M8x1.25x30
16	4668 538AG	1	D, P			DGC, DGL	CABLE, Ignition Interlock
	4668 617AD	1	Z			DGC, DGL	

DODGE - CHRYSLER NEON (PL)

SERIES	LINE	BODY	ENGINE	TRANSMISSION
L=Low Line	Z=Chrysler, RHD	41 = 4 Door,	ECB,EC0=2.0L 4 Cyl., 16V SMPI	DD5=5 Speed Manual
H=High Line	D=Dodge	104WB	ECH,EC0=2.0L 4 Cyl, 16V SOHC	DGC=3 Speed Automatic
	D=Chrysler		EJD,EJ0=1.6L 4 Cyl 16V, SOHC	DGL=4 Speed Automatic
	P=Plymouth		EBD,EB0=1.8L 4 Cyl 16V SEF	DG0=All Automatics
				DBB=All 5 Speed Manual

AR = Use as required - = Non illustrated part # = New this model year

May 2, 2002



Group – 41TE-AE

Automatic Transaxle 4 Speed

GROUP 41TE-AE - Automatic Transaxle 4 Speed

Illustration Title

Group-Fig. No.

Transaxle Assembly

Transaxle Assembly Fig. 41TE-AE-110

Case and Extension

Transaxle Mounting and Misc. Parts Fig. 41TE-AE-210

Case, Extension and Solenoid Fig. 41TE-AE-220

Oil Pump

Pump, Oil with Reaction Shaft Fig. 41TE-AE-310

Gear Train

Shaft Transfer Fig. 41TE-AE-410

Clutch, Input Shaft Fig. 41TE-AE-420

Gear Train Fig. 41TE-AE-430

Valve Body

Valve Body Fig. 41TE-AE-710

Accumulator Piston and Springs Fig. 41TE-AE-720

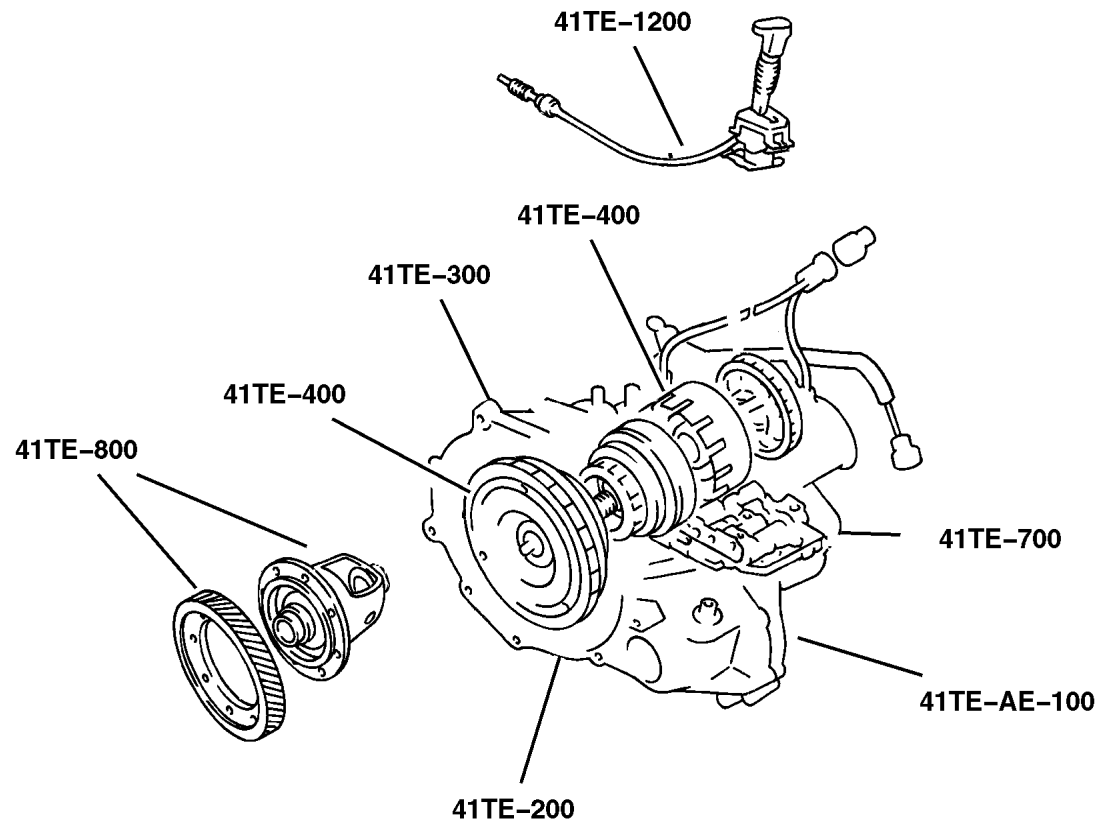
Parking Sprag Fig. 41TE-AE-730




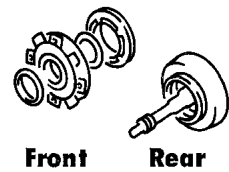
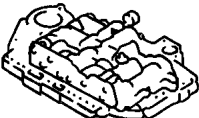
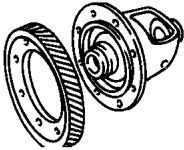
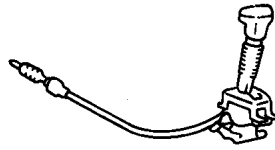
Differential

Differential Fig. 41TE-AE-810

Gearshift Controls

Controls, Floor Shift Fig. 41TE-AE-1210



<p>41TE-AE-100 Transaxle Assembly</p> 	<p>41TE-AE-200 Case and Extension</p> 	<p>41TE-AE-300 Oil Pump</p> 	<p>41TE-AE-400 Gear Train</p>  <p>Front Rear</p>
<p>41TE-AE-700 Valve Body</p> 	<p>41TE-AE-800 Differential</p> 	<p>41TE-AE-1200 Gearshift Controls</p> 	

**Transaxle Assembly
Figure 41TE-AE-110**

ITEM	PART NUMBER	QTY	LINE	SERIES	ENGINE	TRANS	DESCRIPTION
------	-------------	-----	------	--------	--------	-------	-------------

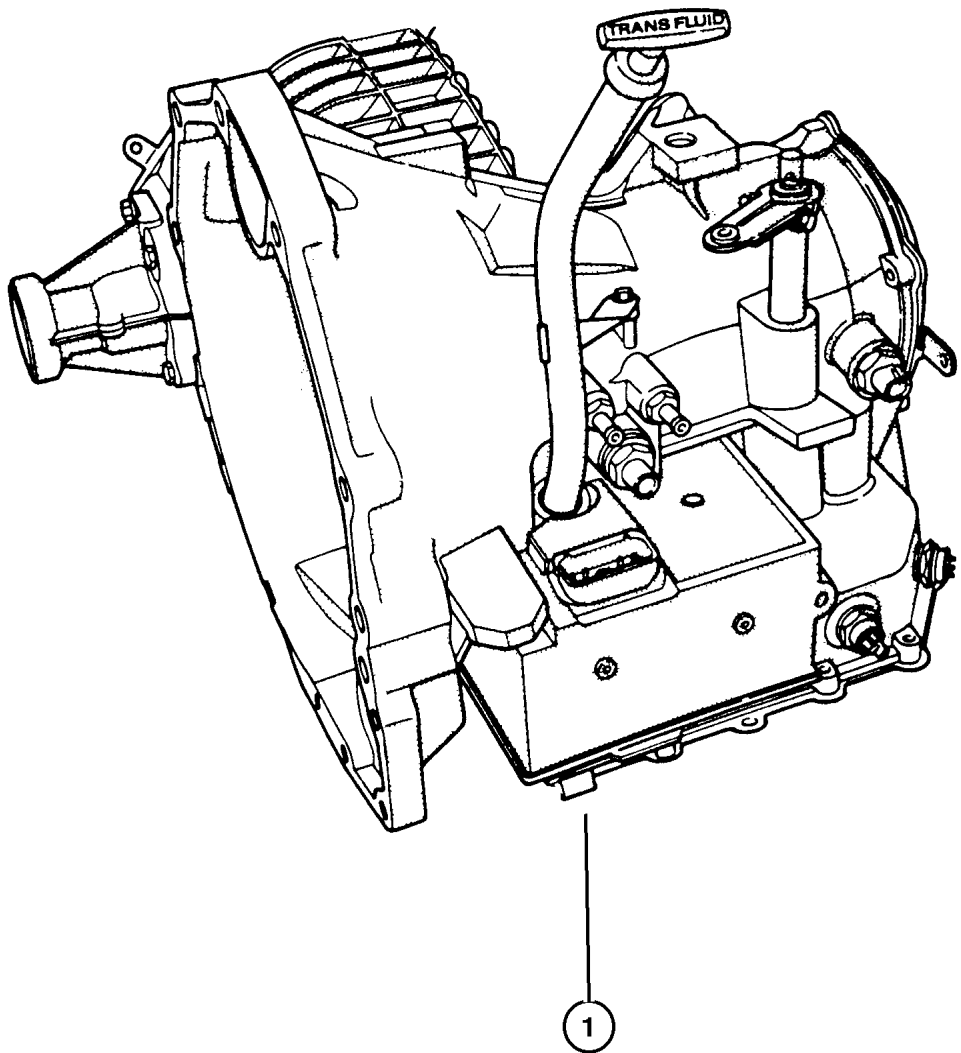
Note; Sales Codes n key.

[DGC]= 3 Speed Automatic Transmissions n key.

[DGL]= 4 Speed Automatic Transmissions 41TE n key.

[ECB]= 2.0L 4 Cylinder Single Overhead Cam 16 Valve Engines n key.

1	#5018 921AA	1			ECB	DGL	TRANSAXLE PACKAGE, WITH TORQUE CONVERTER, Production No. 4799921AA
-2	#4796 384AC	1				DGC, DGL	CONVERTER PACKAGE, Torque

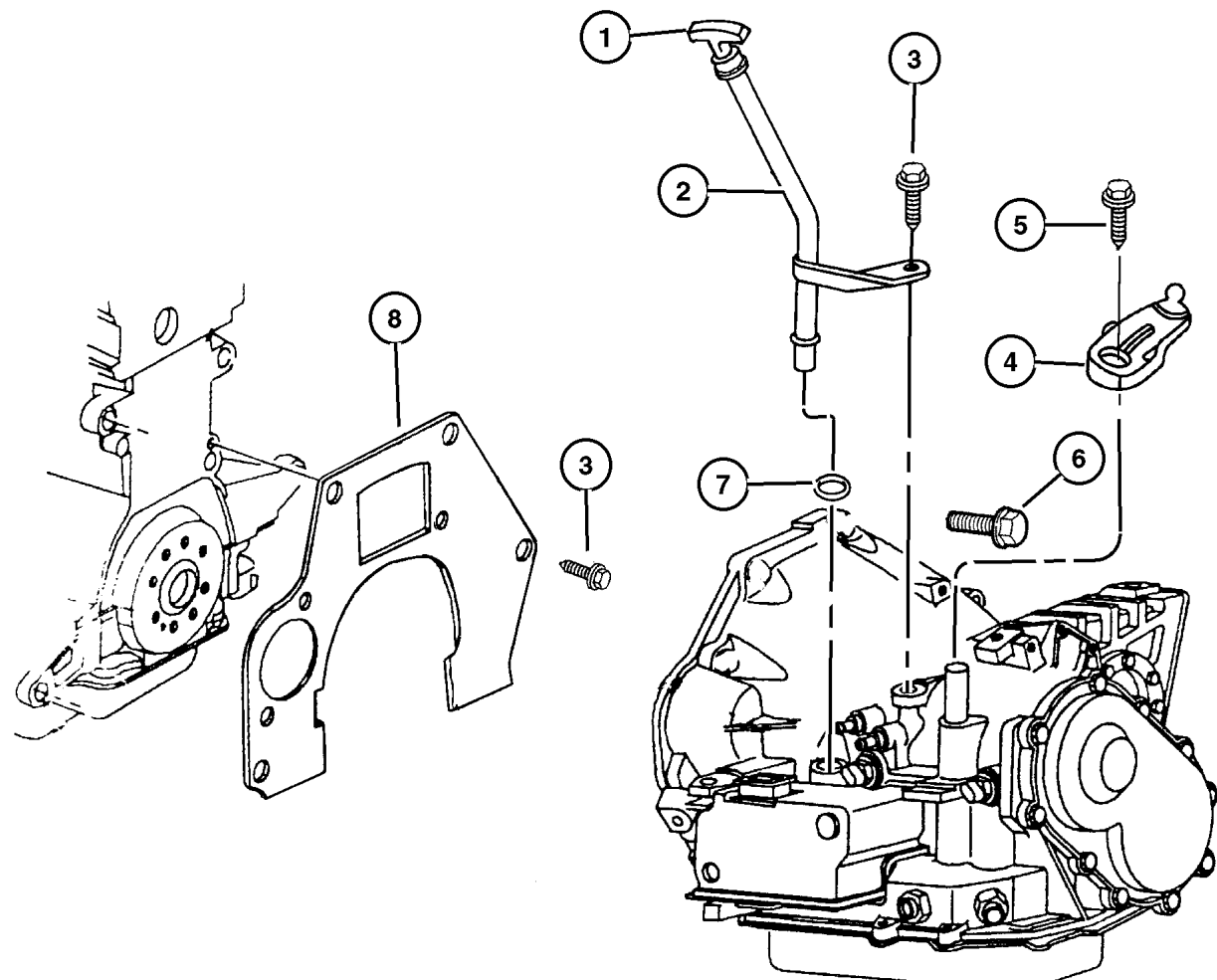


DODGE - CHRYSLER NEON (PL)				
SERIES	LINE	BODY	ENGINE	TRANSMISSION
L=Low Line	Z=Chrysler, RHD	41 = 4 Door,	ECB,EC0=2.0L 4 Cyl., 16V SMPI	DD5=5 Speed Manual
H=High Line	D=Dodge	104WB	ECH,EC0=2.0L 4 Cyl, 16V SOHC	DGC=3 Speed Automatic
	D=Chrysler		EJD,EJ0=1.6L 4 Cyl 16V, SOHC	DGL=4 Speed Automatic
	P=Plymouth		EBD,EB0=1.8L 4 Cyl 16V SEF	DG0=All Automatics
				DBB=All 5 Speed Manual

AR = Use as required - = Non illustrated part # = New this model year

May 2, 2002

**Transaxle Mounting and Misc. Parts
Figure 41TE-AE-210**



ITEM	PART NUMBER	QTY	LINE	SERIES	ENGINE	TRANS	DESCRIPTION
Note: Sales Codes n key.							
[DGC]= 3 Speed Automatic Transmissions n key.							
[DGL]= 4 Speed Automatic Transmissions 41TE n key.							
[ECB]= 2.0L 4 Cylinder Single Overhead Cam 16 Valve Engines n key.							
[EDZ]= 2.4L 4 Cylinder Double Overhead Cam 16 Valve Engines n key.							
[EJD]= 1.6L 4 Cylinder Single Overhead Cam 16 Valve Engines n key.							
1	#4668 621AB	1			ECB, EDZ, EJD	DGL	INDICATOR, Transmission Fluid Level
2	#4668 620AB	1			ECB, EDZ	DGL	TUBE, Transmission Oil Filler
3	6501 755	1				DGL	SCREW AND WASHER, Hex Head, M6x1x16
4	4670 322	1				DGL	LEVER, Manual Control
5	6506 014AA	4				DGC, DGL	NUT, Hex Flange Lock, M8x1.25
6	6501 742	3				DGC, DGL	SCREW, Hex Head, M12x1.75x50
7	6030 608	1	D, Z			DGC, DGL	SEAL, Oil Filler Tube
8	#4670 196AB	1				DGC, DGL	COVER, Transaxle Converter

DODGE - CHRYSLER NEON (PL)

SERIES	LINE	BODY	ENGINE	TRANSMISSION
L=Low Line	Z=Chrysler, RHD	41 = 4 Door,	ECB,EC0=2.0L 4 Cyl., 16V SMPI	DD5=5 Speed Manual
H=High Line	D=Dodge	104WB	ECH,EC0=2.0L 4 Cyl, 16V SOHC	DGC=3 Speed Automatic
	D=Chrysler		EJD,EJ0=1.6L 4 Cyl 16V, SOHC	DGL=4 Speed Automatic
	P=Plymouth		EBD,EB0=1.8L 4 Cyl 16V SEF	DG0=All Automatics
				DBB=All 5 Speed Manual

AR = Use as required - = Non illustrated part # = New this model year

May 2, 2002

**Case, Extension and Solenoid
Figure 41TE-AE-220**

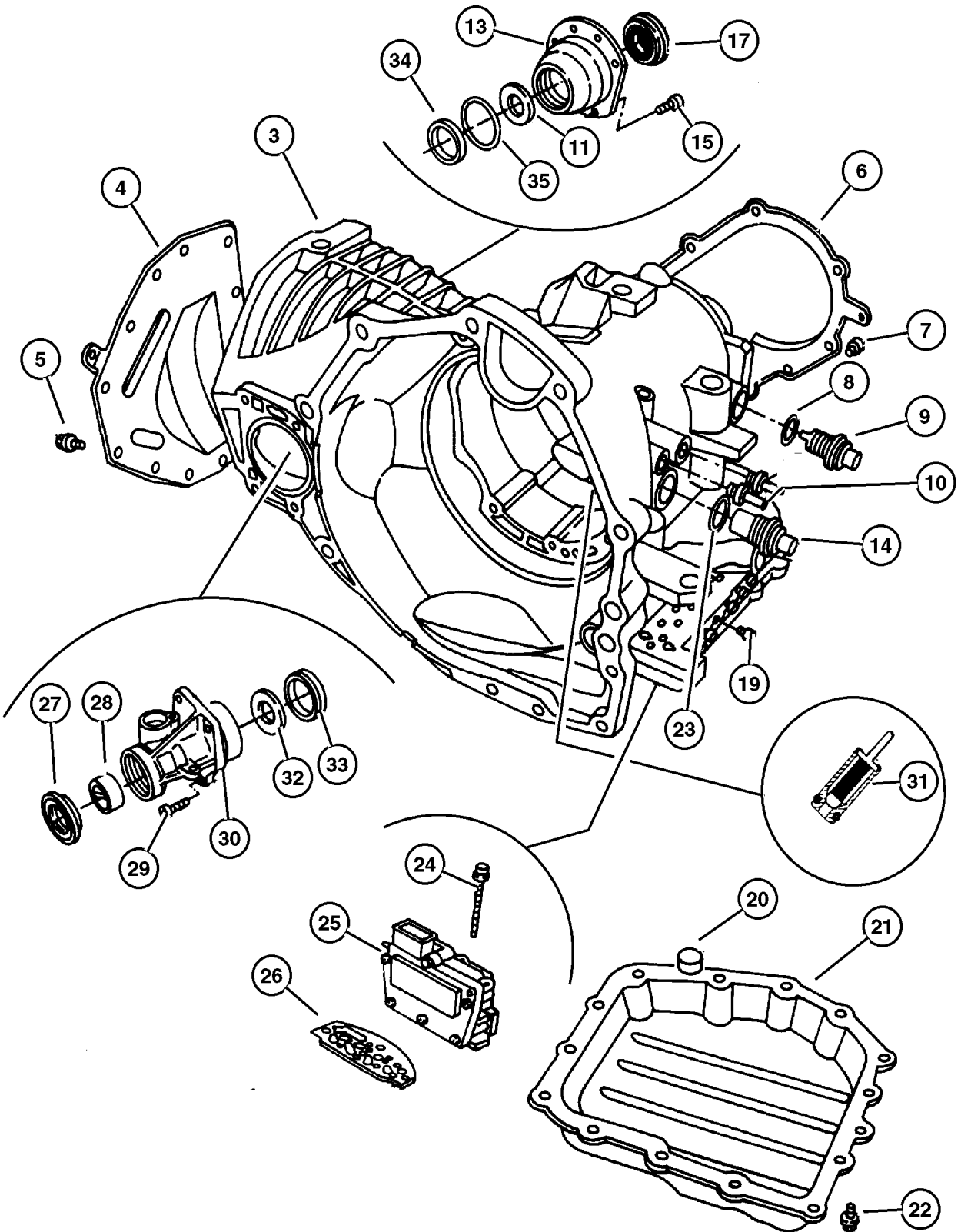
ITEM	PART NUMBER	QTY	LINE	SERIES	ENGINE	TRANS	DESCRIPTION
Note; Sales Codes n key.							
[DGL]= 4 Speed Automatic Transmissions 41TE n key.							
[ECB]= 2.0L 4 Cylinder Single Overhead Cam 16 Valve Engines n key.							
-1	5016 131AB	1			ECB	DGL	SEAL AND GASKET PACKAGE, Transmission
-2	5016 130AB	1			ECB	DGL	OVERHAUL PACKAGE, Transaxle
3	4883 522AA	1			ECB	DGL	CASE, Transaxle
4	4659 520	1			ECB	DGL	PAN, Transaxle Differential Oil
5	6501 755	1				DGL	SCREW AND WASHER, Hex Head, M6x1x16
6	4659 636	1			ECB	DGL	COVER, Transaxle Rear
7	6501 755	1				DGL	SCREW AND WASHER, Hex Head, M6x1x16
8	6501 549	1			ECB	DGL	O RING, Accumulator, Transmission
9	4659 676AC	1			ECB	DGL	SENSOR, Transmission Range
10	4809 377AA	2			ECB	DGL	CONNECTOR, Oil Cooler Hose
11	4659 290	1			ECB	DGL	DAM, Differential Extension Oil, (LHS)
-12	4567 494	1			ECB	DGL	RETAINER, Transmission Extension Oil, (RHS)
13	4659 736	1			ECB	DGL	RETAINER, Differential Bearing
14	4800 878	1			ECB	DGL	SENSOR, Transmission Input Speed
15	6504 256	6			ECB	DGL	SCREW, Hex Flange Head, M8x1.25x33.00
-16	6504 256	6			ECB	DGL	SCREW, Hex Flange Head, M8x1.25x33.00
17	4412 522AB	1			ECB	DGL	SEAL
-18	4762 418AB	1			ECB	DGL	SEAL, Differential Case
19	6036 053AA	6			ECB	DGL	PLUG, Pressure Check
20	4446 728	1			ECB	DGL	MAGNET, Transmission
21	4431 997	1			ECB	DGL	PAN, Transmission Oil
22	6501 755	1				DGL	SCREW AND WASHER, Hex Head, M6x1x16
23	6501 658AB	1			ECB	DGL	O RING, Trans Speed Sensor
24	6506 194AA	3			ECB	DGL	SCREW AND WASHER, Hex Head, M6x1x93.5
25	5015 646AB	1			ECB	DGL	SOLENOID PACKAGE, Valve Body
26	4659 982	1			ECB	DGL	GASKET, Transmission Solenoid
27	4412 522AB	1			ECB	DGL	SEAL
28							BUSHING, BUSHING, Trans. Extension (Serviced in Ext.), (NOT SERVICED)
29	6500 511	4			ECB	DGL	SCREW, Flange Head, M8x1.25x33
30	4567 506	1			ECB	DGL	CASE, Transaxle Rear
31	4659 946AB	1			ECB	DGL	VALVE, Cooler Bypass
32	4567 494	1			ECB	DGL	RETAINER, Transmission Extension Oil
33	4567 022	1			ECB	DGL	BEARING CUP, Differential
34	4659 237	1			ECB	DGL	CUP, Differential Side Bearing
35	4659 257	AR			ECB	DGL	SPACER, Final Drive, 0.98mm
-36	4659 258	AR			ECB	DGL	SPACER, Final Drive, 1.02mm
-37	4659 259	AR			ECB	DGL	SPACER, Final Drive, 1.06mm
-38	4659 260	AR			ECB	DGL	SPACER, Final Drive, 1.10mm

DODGE - CHRYSLER NEON (PL)

SERIES	LINE	BODY	ENGINE	TRANSMISSION
L=Low Line	Z=Chrysler, RHD	41 = 4 Door,	ECB,EC0=2.0L 4 Cyl., 16V SMPI	DD5=5 Speed Manual
H=High Line	D=Dodge	104WB	ECH,EC0=2.0L 4 Cyl, 16V SOHC	DGC=3 Speed Automatic
	D=Chrysler		EJD,EJ0=1.6L 4 Cyl 16V, SOHC	DGL=4 Speed Automatic
	P=Plymouth		EBD,EB0=1.8L 4 Cyl 16V SEF	DG0=All Automatics
				DBB=All 5 Speed Manual

AR = Use as required - = Non illustrated part # = New this model year

May 2, 2002



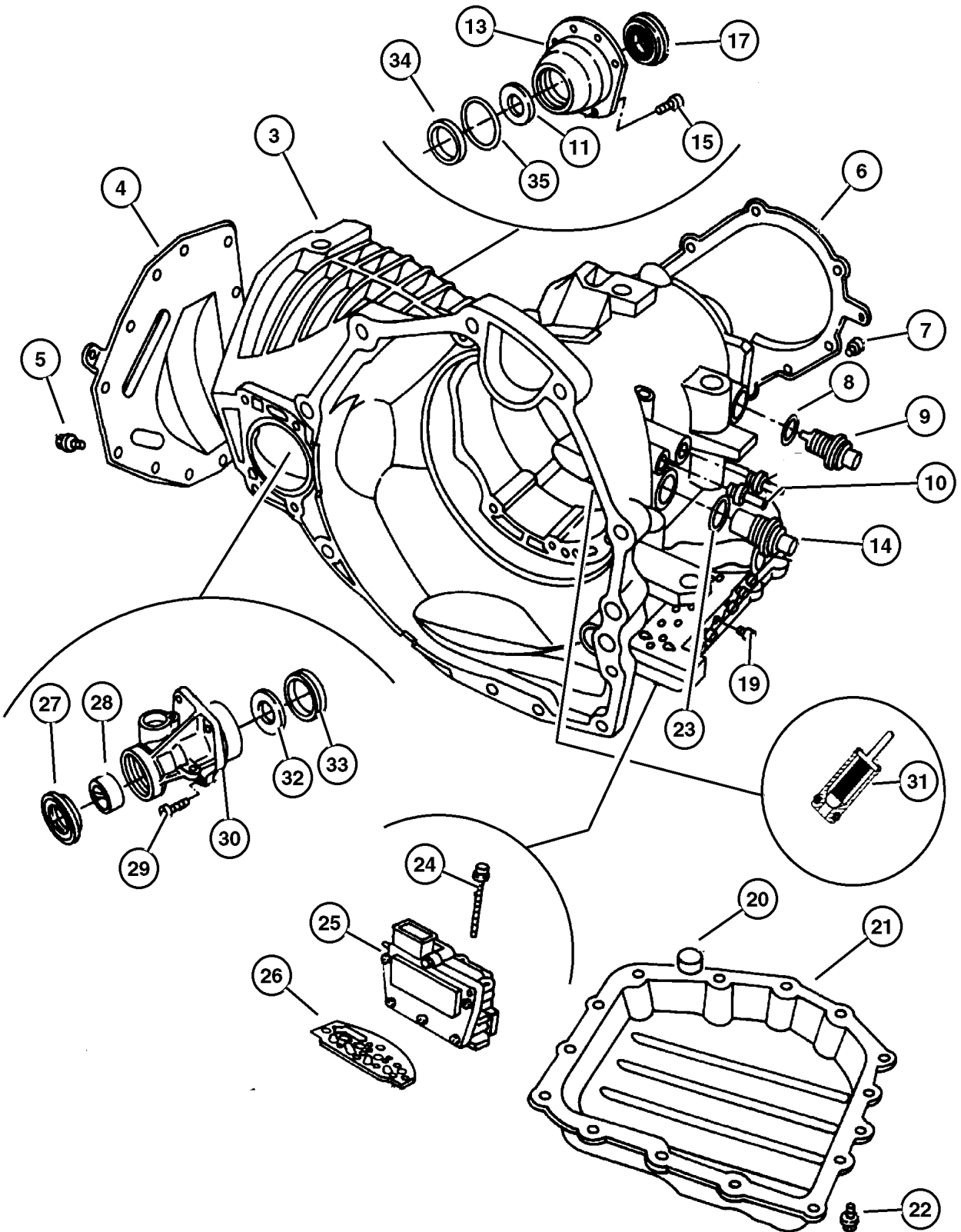
Case, Extension and Solenoid
Figure 41TE-AE-220

ITEM	PART NUMBER	QTY	LINE	SERIES	ENGINE	TRANS	DESCRIPTION
-39	4659 261	AR			ECB	DGL	SPACER, Final Drive, 1.14mm
-40	4659 262	AR			ECB	DGL	SPACER, Final Drive, 1.18mm
-41	4659 263	AR			ECB	DGL	SPACER, Final Drive, 1.22mm
-42	4659 264	AR			ECB	DGL	SPACER, Final Drive, 1.26mm
-43	4659 265	AR			ECB	DGL	SPACER, Final Drive, 1.30mm
-44	4659 266	AR			ECB	DGL	SPACER, Final Drive, 1.34mm
-45	4659 267	AR			ECB	DGL	SPACER, Final Drive, 1.38mm
-46	4659 268	AR			ECB	DGL	SPACER, Final Drive, 1.42mm
-47	4659 269	AR			ECB	DGL	SPACER, Final Drive, 1.46mm
-48	4659 270	AR			ECB	DGL	SPACER, Final Drive, 1.50mm
-49	4659 271	AR			ECB	DGL	SPACER, Final Drive, 1.54mm
-50	4659 272	AR			ECB	DGL	SPACER, Final Drive, 1.58mm
-51	4659 273	AR			ECB	DGL	SPACER, Final Drive, 1.62mm
-52	4659 274	AR			ECB	DGL	SPACER, Final Drive, 1.66mm
-53	4659 275	AR			ECB	DGL	SPACER, Final Drive, 1.70mm
-54	4659 283	AR			ECB	DGL	SPACER, Final Drive, 2.02mm
-55	4659 284	AR			ECB	DGL	SPACER, Final Drive, 2.06mm

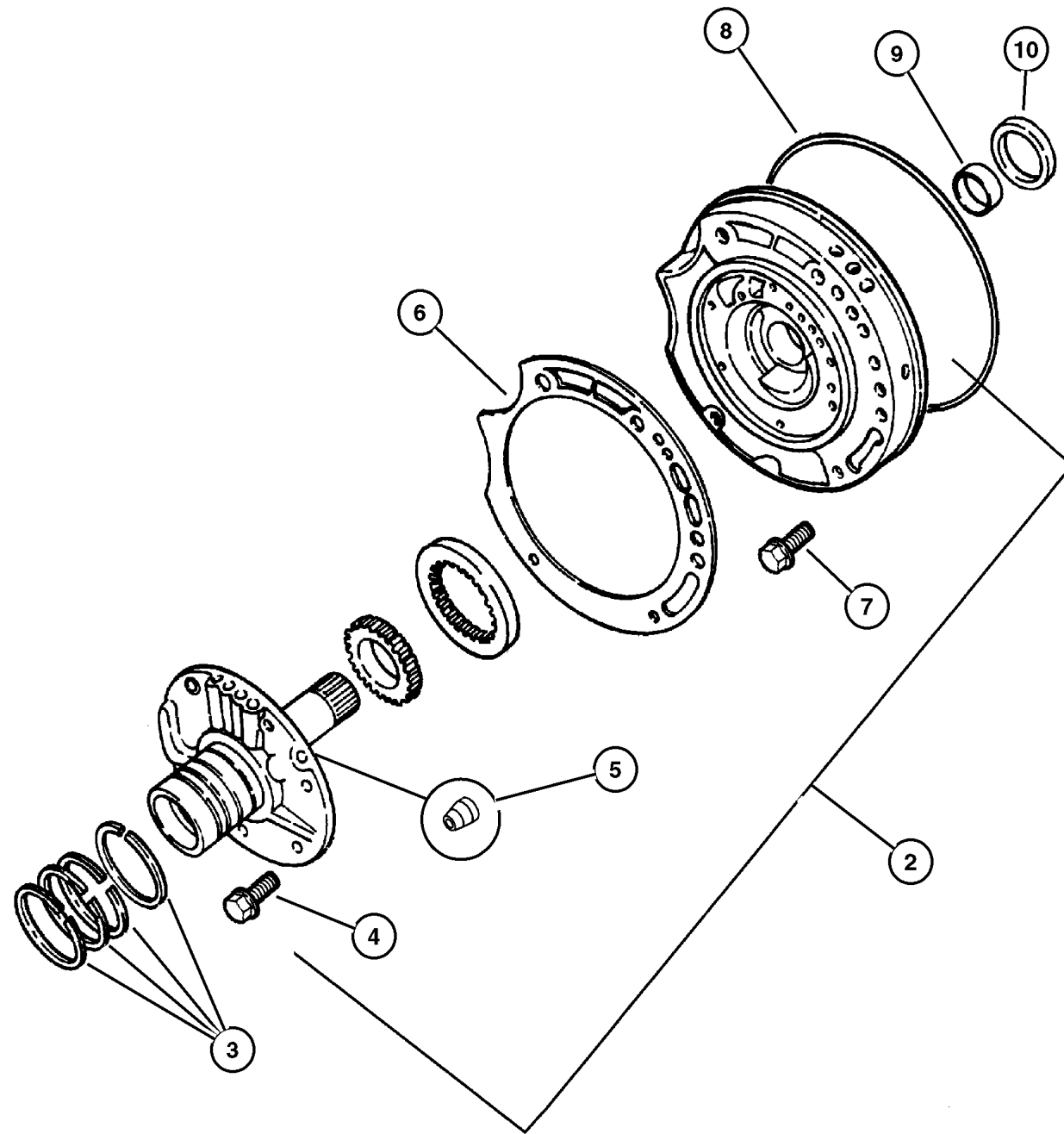
DODGE - CHRYSLER NEON (PL)				
SERIES	LINE	BODY	ENGINE	TRANSMISSION
L=Low Line	Z=Chrysler, RHD	41 = 4 Door,	ECB,EC0=2.0L 4 Cyl., 16V SMPI	DD5=5 Speed Manual
H=High Line	D=Dodge	104WB	ECH,EC0=2.0L 4 Cyl, 16V SOHC	DGC=3 Speed Automatic
	D=Chrysler		EJD,EJ0=1.6L 4 Cyl 16V, SOHC	DGL=4 Speed Automatic
	P=Plymouth		EBD,EB0=1.8L 4 Cyl 16V SEF	DG0=All Automatics
				DBB=All 5 Speed Manual

AR = Use as required - = Non illustrated part # = New this model year

May 2, 2002



Pump, Oil with Reaction Shaft
Figure 41TE-AE-310

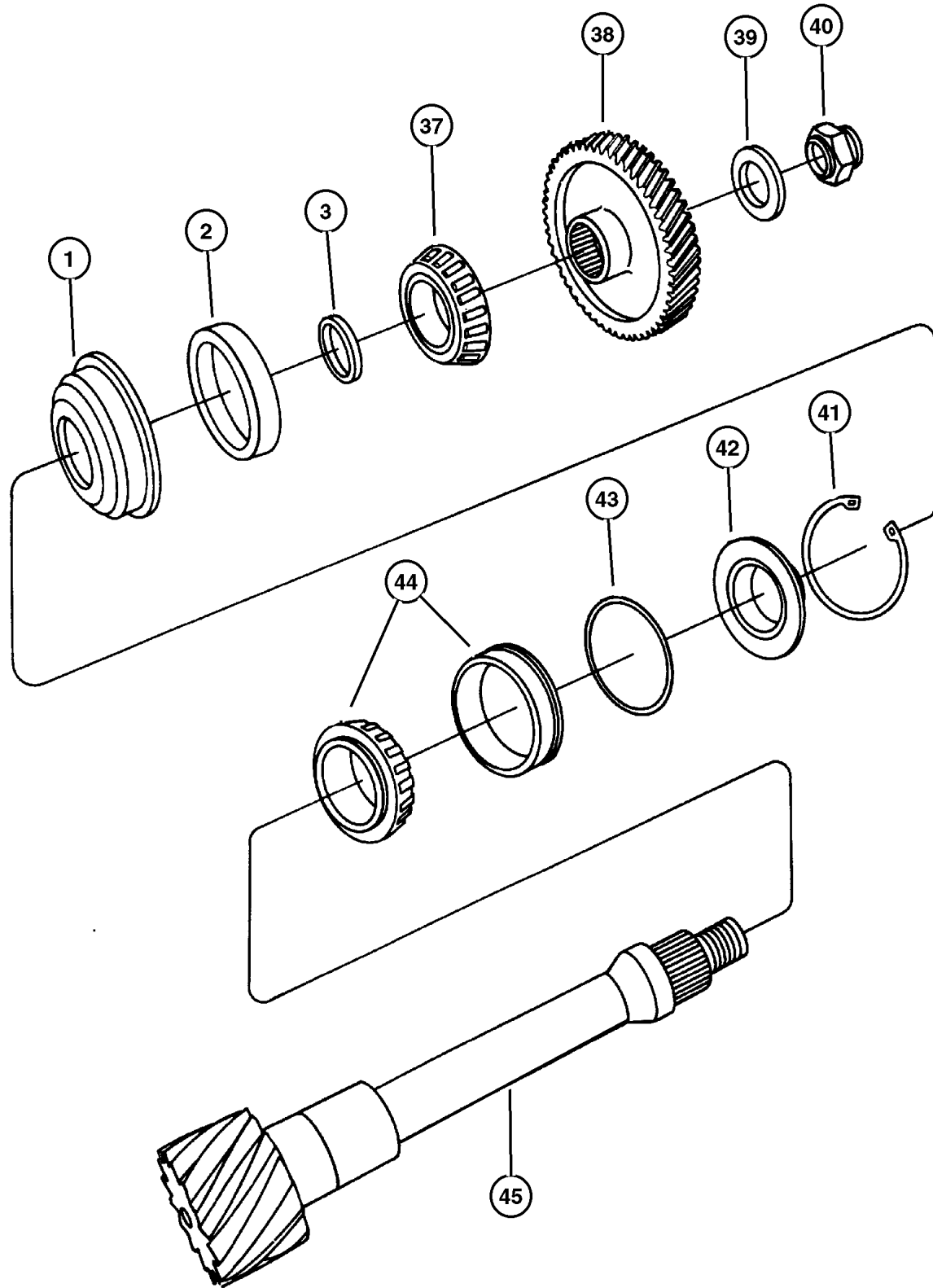


ITEM	PART NUMBER	QTY	LINE	SERIES	ENGINE	TRANS	DESCRIPTION
Note; Sales Codes n key.							
[DGL]= 4 Speed Automatic Transmissions 41TE n key.							
[ECB]= 2.0L 4 Cylinder Single Overhead Cam 16 Valve Engines n key.							
-1	4883 260	1			ECB	DGL	SEAL AND GASKET PACKAGE, Transmission Oil Pump
2	4567 869AB	1			ECB	DGL	PUMP, Transmission Oil
3	4471 874	4			ECB	DGL	SEAL, Ring Reaction Support, 2 1/16 O.D.
4	6500 211	6			ECB	DGL	BOLT, Hex Head, M8x1.25x19
5	4446 616	2			ECB	DGL	BALL, Check
6	4412 844	1			ECB	DGL	GASKET, Transmission Oil Pump
7	6506 408AA	5			ECB	DGL	SCREW AND WASHER, Hex Flange Head, M8x1.25x25
8	4659 945	1			ECB	DGL	SEAL, Oil Pump
9	2466 796	1			ECB	DGL	BUSHING, Front Pump
10	4412 475	1			ECB	DGL	SEAL, Impeller Hub, 57.25mm OD

DODGE - CHRYSLER NEON (PL)				
SERIES	LINE	BODY	ENGINE	TRANSMISSION
L=Low Line	Z=Chrysler, RHD	41 = 4 Door,	ECB,EC0=2.0L 4 Cyl., 16V SMPI	DD5=5 Speed Manual
H=High Line	D=Dodge	104WB	ECH,EC0=2.0L 4 Cyl, 16V SOHC	DGC=3 Speed Automatic
	D=Chrysler		EJD,EJ0=1.6L 4 Cyl 16V, SOHC	DGL=4 Speed Automatic
	P=Plymouth		EBD,EB0=1.8L 4 Cyl 16V SEF	DG0=All Automatics
				DBB=All 5 Speed Manual

AR = Use as required - = Non illustrated part # = New this model year

Shaft Transfer Figure 41TE-AE-410



ITEM	PART NUMBER	QTY	LINE	SERIES	ENGINE	TRANS	DESCRIPTION
Note; Sales Codes n key.							
[DGL]= 4 Speed Automatic Transmissions 41TE n key.							
[ECB]= 2.0L 4 Cylinder Single Overhead Cam 16 Valve Engines n key.							
1	4412 273	1			ECB	DGL	RETAINER, Transfer Gear Bearing
2	4412 235	1			ECB	DGL	BEARING CONE, Output Shaft
3	4505 570AB	1			ECB	DGL	SPACER, Transfer Shaft, 3.22mm
-4	4412 801AB	1			ECB	DGL	SPACER, Transfer Shaft, 3.26mm
-5	4412 802AB	1			ECB	DGL	SPACER, Transfer Shaft, 3.30mm
-6	4412 803AB	1			ECB	DGL	SPACER, Transfer Shaft, 3.34mm
-7	4412 804AB	1			ECB	DGL	SPACER, Transfer Shaft, 3.38mm
-8	4412 806AB	1			ECB	DGL	SPACER, Output Shaft, 3.46mm
-9	4412 807AB	1			ECB	DGL	SPACER, Output Shaft, 3.50mm
-10	4412 808AB	1			ECB	DGL	SPACER, Output Shaft, 3.54mm
-11	4412 809AB	1			ECB	DGL	SPACER, Output Shaft, 3.58mm
-12	4412 810AB	1			ECB	DGL	SPACER, Output Shaft, 3.62mm
-13	4412 812AB	1			ECB	DGL	SPACER, Output Shaft, 3.70mm
-14	4412 813AB	1			ECB	DGL	SPACER, Output Shaft, 3.74mm
-15	4412 814AB	1			ECB	DGL	SPACER, Output Shaft, 3.78mm
-16	4412 815AB	1			ECB	DGL	SPACER, Output Shaft, 3.82mm
-17	4412 816AB	1			ECB	DGL	SPACER, Output Shaft, 3.86mm
-18	4412 817AB	1			ECB	DGL	SPACER, Output Shaft, 3.90mm
-19	4412 818AB	1			ECB	DGL	SPACER, Output Shaft, 3.94mm
-20	4412 819AB	1			ECB	DGL	SPACER, Output Shaft, 3.98mm
-21	4412 820AB	1			ECB	DGL	SPACER, Output Shaft, 4.02mm
-22	4412 821AB	1			ECB	DGL	SPACER, Output Shaft, 4.06mm
-23	4412 822AB	1			ECB	DGL	SPACER, Output Shaft, 4.10mm
-24	4412 823AB	1			ECB	DGL	SPACER, Output Shaft, 4.14mm
-25	4412 824AB	1			ECB	DGL	SPACER, Output Shaft, 4.18mm
-26	4412 825AB	1			ECB	DGL	SPACER, Output Shaft, 4.22mm
-27	4412 826AB	1			ECB	DGL	SPACER, Output Shaft, 4.26mm
-28	4412 827AB	1			ECB	DGL	SPACER, Output Shaft, 4.30mm
-29	4412 828AB	1			ECB	DGL	SPACER, Output Shaft, 4.34mm
-30	4412 829AB	1			ECB	DGL	SPACER, Output Shaft, 4.38mm
-31	4412 830AB	1			ECB	DGL	SPACER, Output Shaft, 4.42mm
-32	4412 831AB	1			ECB	DGL	SPACER, Transfer Shaft, 4.46mm
-33	4412 832AB	1			ECB	DGL	SPACER, Transfer Shaft, 4.50mm
-34	4412 833AB	1			ECB	DGL	SPACER, Transfer Shaft, 4.54mm
-35	4412 835AB	1			ECB	DGL	SPACER, Transfer Shaft, 4.62mm
-36	4505 588AB	1			ECB	DGL	SPACER, Transfer Shaft, 4.66mm
37	4504 042	1			ECB	DGL	BEARING PACKAGE, Transfer Shaft
38	4713 444	1			ECB	DGL	GEAR PACKAGE, Output And Transfer Shaft
39	6501 833	1			ECB	DGL	WASHER, Coned, M22.6x45x3.42

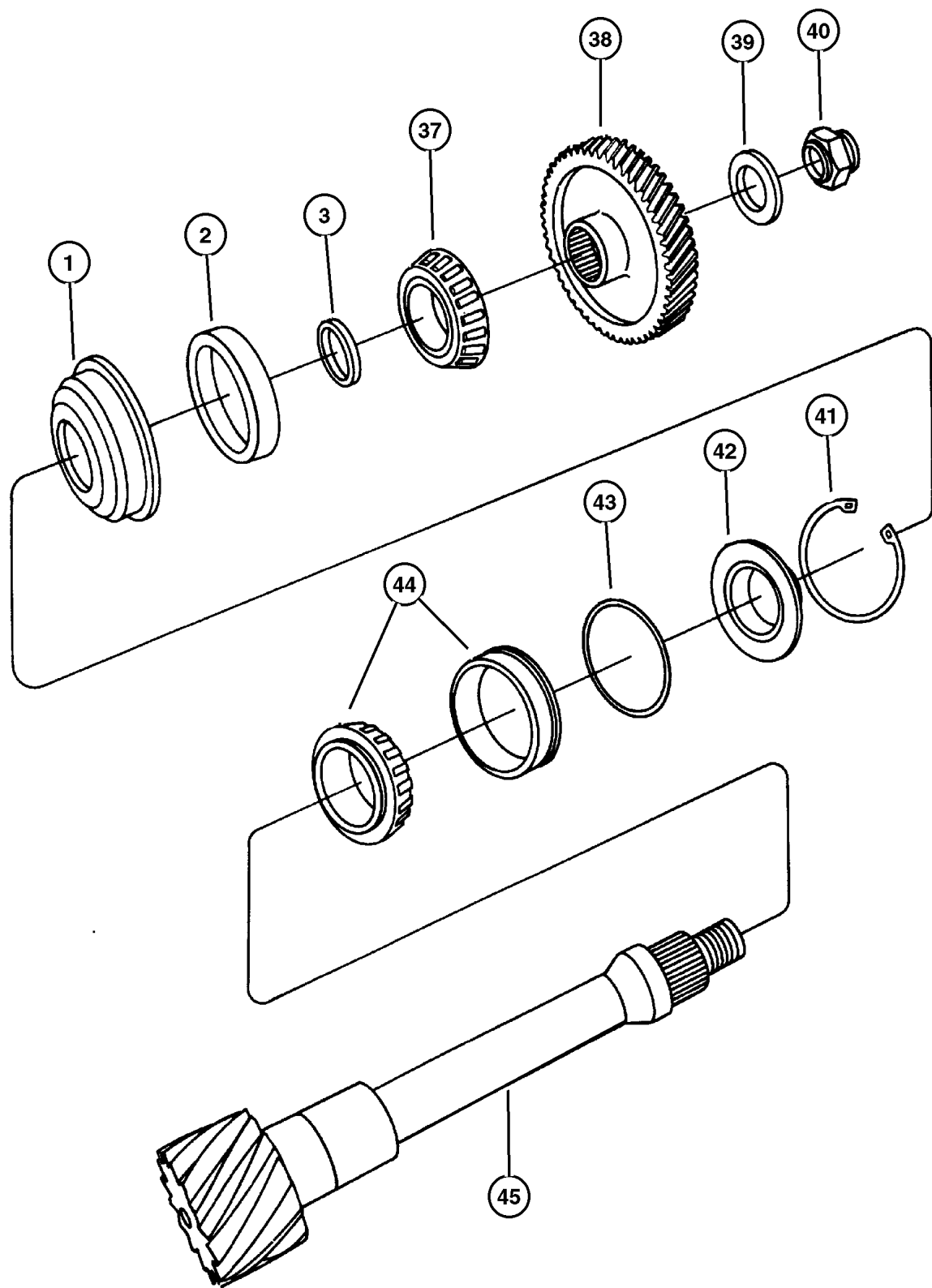
DODGE - CHRYSLER NEON (PL)

SERIES	LINE	BODY	ENGINE	TRANSMISSION
L=Low Line	Z=Chrysler, RHD	41 = 4 Door,	ECB,EC0=2.0L 4 Cyl., 16V SMPI	DD5=5 Speed Manual
H=High Line	D=Dodge	104WB	ECH,EC0=2.0L 4 Cyl, 16V SOHC	DGC=3 Speed Automatic
	D=Chrysler		EJD,EJ0=1.6L 4 Cyl 16V, SOHC	DGL=4 Speed Automatic
	P=Plymouth		EBD,EB0=1.8L 4 Cyl 16V SEF	DG0=All Automatics
				DBB=All 5 Speed Manual

AR = Use as required - = Non illustrated part # = New this model year

May 2, 2002

Shaft Transfer Figure 41TE-AE-410



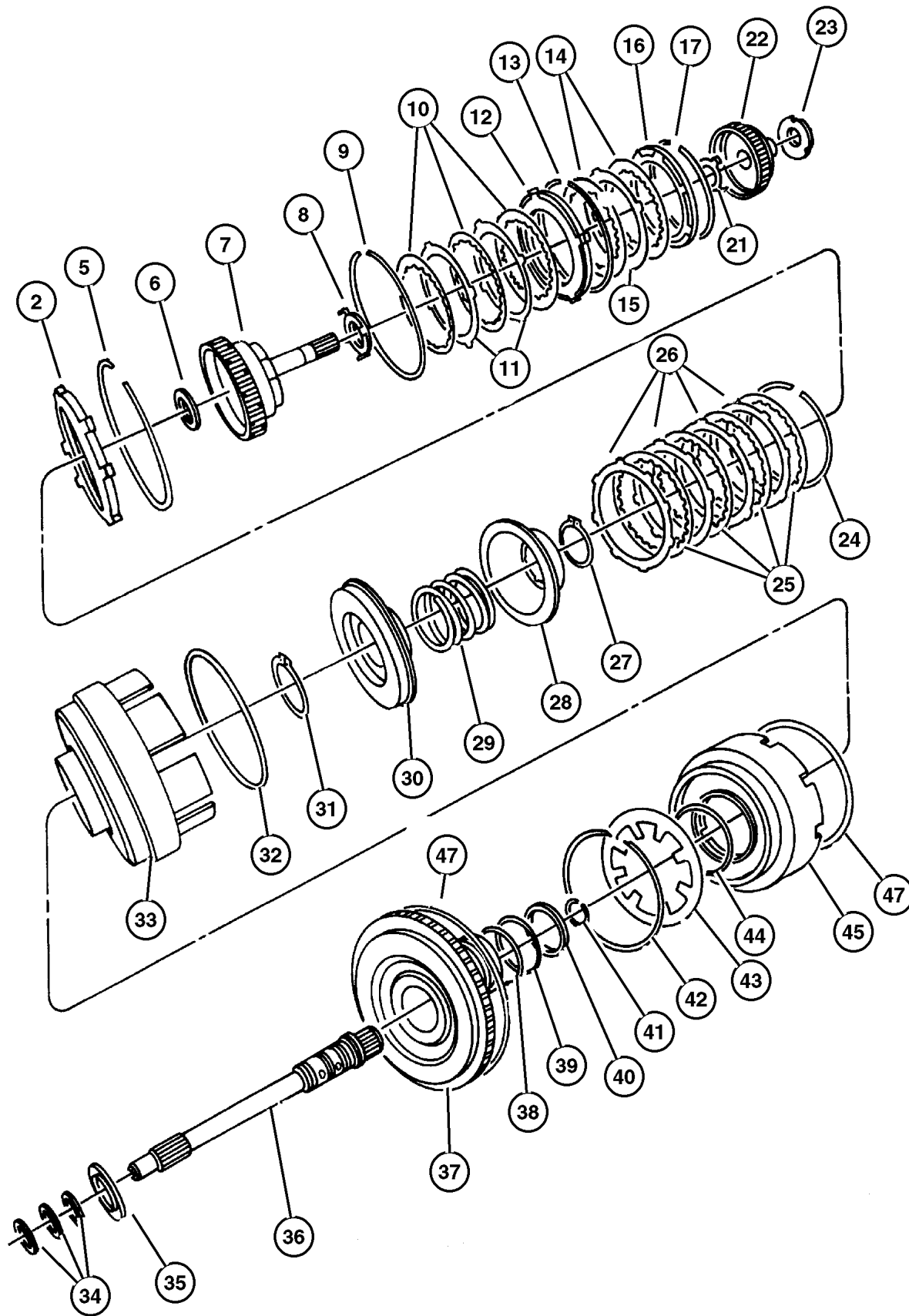
ITEM	PART NUMBER	QTY	LINE	SERIES	ENGINE	TRANS	DESCRIPTION
40	6502 611	1			ECB	DGL	LOCK NUT, M22x1.50
41	6501 936	1			ECB	DGL	SNAP RING
42	4471 869	1			ECB	DGL	BAFFLE, Transfer Shaft
43	6501 768	1			ECB	DGL	O RING, Transfer Shaft Bearing Retainer, ATX
44	4504 042	1			ECB	DGL	BEARING PACKAGE, Transfer Shaft
45	4531 976	1			ECB	DGL	SHAFT, Transfer Gear

DODGE - CHRYSLER NEON (PL)				
SERIES	LINE	BODY	ENGINE	TRANSMISSION
L=Low Line	Z=Chrysler, RHD	41 = 4 Door,	ECB,EC0=2.0L 4 Cyl., 16V SMPI	DD5=5 Speed Manual
H=High Line	D=Dodge	104WB	ECH,EC0=2.0L 4 Cyl, 16V SOHC	DGC=3 Speed Automatic
	D=Chrysler		EJD,EJ0=1.6L 4 Cyl 16V, SOHC	DGL=4 Speed Automatic
	P=Plymouth		EBD,EB0=1.8L 4 Cyl 16V SEF	DG0=All Automatics
				DBB=All 5 Speed Manual

AR = Use as required - = Non illustrated part # = New this model year

May 2, 2002

Clutch, Input Shaft Figure 41TE-AE-420



ITEM	PART NUMBER	QTY	LINE	SERIES	ENGINE	TRANS	DESCRIPTION
------	-------------	-----	------	--------	--------	-------	-------------

Note: Sales Codes n key.

[DGL]= 4 Speed Automatic Transmissions 41TE n key.

[ECB]= 2.0L 4 Cylinder Single Overhead Cam 16 Valve Engines n key.

-1	4883 240AB	1			ECB	DGL	SEAL AND GASKET PACKAGE, Transmission Front Clutch
2	4883 013AB	1			ECB	DGL	PLATE PACKAGE, Underdrive Reaction, 5.72/5.82
-3	4883 014AB	1			ECB	DGL	PLATE PACKAGE, Underdrive Reaction, 6.21/6.31
-4	4883 015AB	1			ECB	DGL	PLATE PACKAGE, Underdrive Reaction, 6.70/6.80
5	4659 934	1			ECB	DGL	SNAP RING, Underdrive Clutch, Tapered
6	4567 262	1			ECB	DGL	THRUST BEARING
7	4864 936	1			ECB	DGL	HUB AND SHAFT PACKAGE, Underdrive Clutch
8	4659 883	1			ECB	DGL	THRUST WASHER, U/Drive Clutch
9	4505 621	1			ECB	DGL	SNAP RING
10	4531 678	4			ECB	DGL	DISC, Clutch
11	4659 053	3			ECB	DGL	PLATE, Transmission O/Drive Clutch
12	4531 556AB	1			ECB	DGL	PLATE, Transmission O/Drive Clutch
13	4505 622	1			ECB	DGL	SNAP RING
14	4531 678	4			ECB	DGL	DISC, Clutch
15	4659 053	1			ECB	DGL	PLATE, Transmission O/Drive Clutch
	4446 670AB	AR			ECB	DGL	
16	4377 194	1			ECB	DGL	PLATE, Transmission Clutch Reaction
17	4377 195	1			ECB	DGL	SNAP RING
-18	4412 871	1			ECB	DGL	SNAP RING, Reverse Clutch, 1.77-1.83mm
-19	4412 872	1			ECB	DGL	SNAP RING, Reverse Clutch, 2.02-2.07mm
-20	4412 873	1			ECB	DGL	SNAP RING, Reverse Clutch, 2.27-2.32mm
21	5018 923AA	1			ECB	DGL	PLATE AND WASHER PACKAGE, Thrust
22	4659 993	1			ECB	DGL	HUB AND SHAFT, Overdrive Clutch
23	4431 665AB	AR			ECB	DGL	1.59-1.66mm
	3836 237AB	AR			ECB	DGL	1.70-1.77mm
	4431 666AB	AR			ECB	DGL	1.81-1.88mm
	3836 238AB	AR			ECB	DGL	1.92-1.99mm
	4431 667AB	AR			ECB	DGL	2.03-2.10mm
	3836 239AB	AR			ECB	DGL	2.14-2.21mm
	4431 668AB	AR			ECB	DGL	2.25-2.32mm
	3836 240AB	AR			ECB	DGL	2.36-2.43mm
	4431 669AB	AR			ECB	DGL	2.47-2.54mm
	3836 241AB	AR			ECB	DGL	2.58-2.65mm
	4446 670AB	AR			ECB	DGL	2.69-2.76mm
	4446 671AB	AR			ECB	DGL	2.91-2.98mm
24	4659 980	1			ECB	DGL	SNAP RING, Underdrive Clutch, Flat

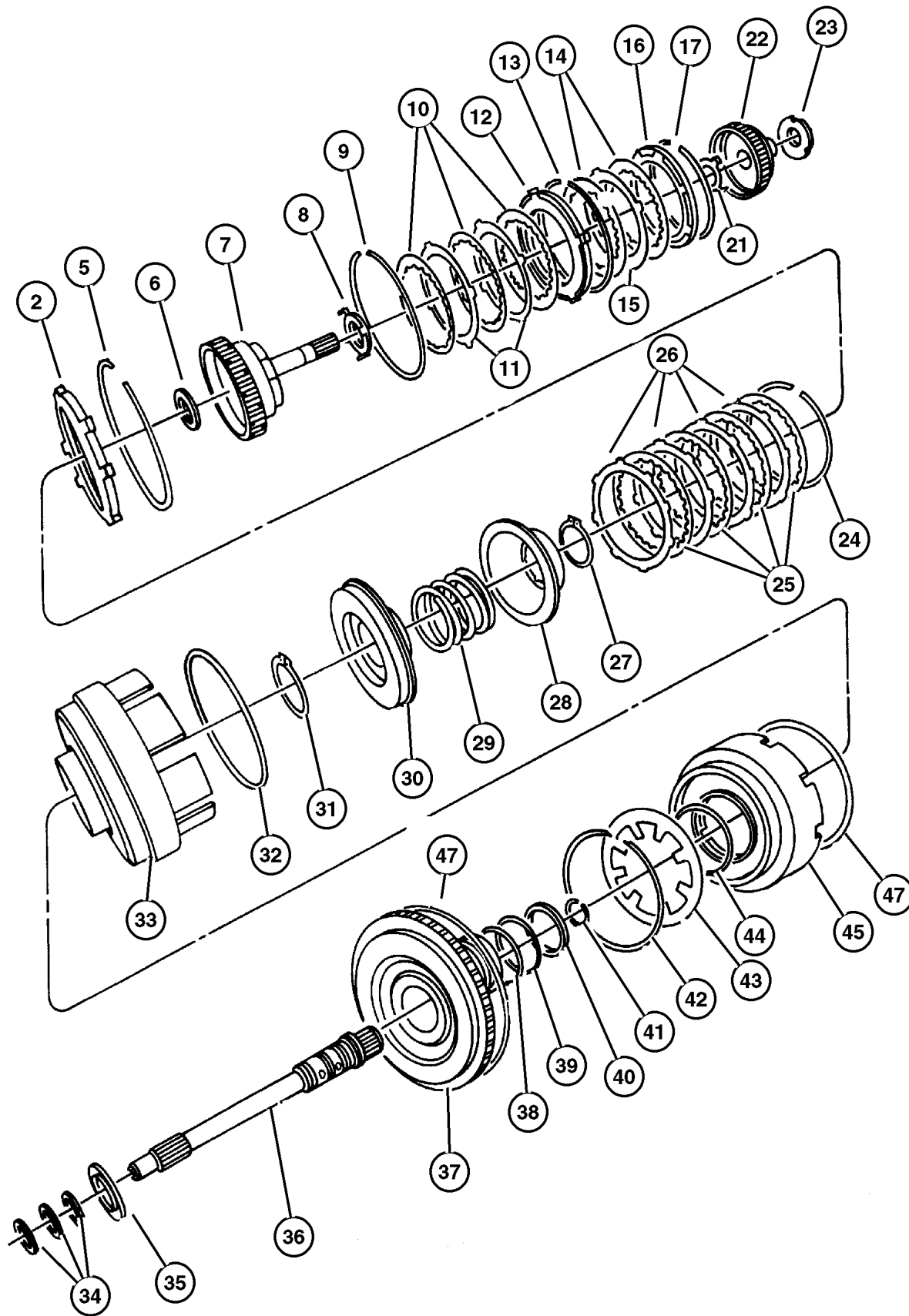
DODGE - CHRYSLER NEON (PL)

SERIES	LINE	BODY	ENGINE	TRANSMISSION
L=Low Line	Z=Chrysler, RHD	41 = 4 Door,	ECB,EC0=2.0L 4 Cyl., 16V SMPI	DD5=5 Speed Manual
H=High Line	D=Dodge	104WB	ECH,EC0=2.0L 4 Cyl, 16V SOHC	DGC=3 Speed Automatic
	D=Chrysler		EJD,EJ0=1.6L 4 Cyl 16V, SOHC	DGL=4 Speed Automatic
	P=Plymouth		EBD,EB0=1.8L 4 Cyl 16V SEF	DG0=All Automatics
				DBB=All 5 Speed Manual

AR = Use as required - = Non illustrated part # = New this model year

May 2, 2002

Clutch, Input Shaft Figure 41TE-AE-420



ITEM	PART NUMBER	QTY	LINE	SERIES	ENGINE	TRANS	DESCRIPTION
25	4531 678	4			ECB	DGL	DISC, Clutch
26	4659 053	1			ECB	DGL	PLATE, Transmission O/Drive Clutch
27	6501 715	1			ECB	DGL	SNAP RING
28	4431 612	1			ECB	DGL	RETAINER AND SEAL, Transmission U/Drive Spring
29	4377 177	1			ECB	DGL	SPRING, Drive Lower Case
30	4431 610	1			ECB	DGL	PISTON, Underdrive
31	6501 812	1			ECB	DGL	SNAP RING
32	4659 871	1			ECB	DGL	SEAL, Piston Outer, 140mm OD
33	4659 935	1			ECB	DGL	RETAINER, Transmission Input Clutch
34	4446 543	3			ECB	DGL	SEAL, Input Shaft
35	4412 209	1			ECB	DGL	THRUST BEARING
36	4549 223	1			ECB	DGL	INPUT SHAFT PACKAGE, Transaxle
37	5017 518AA	1			ECB	DGL	HUB PACKAGE, Input Clutch
38	6502 271	1			ECB	DGL	O RING, Transmission Clutch
39	6502 269	1			ECB	DGL	O RING, Transmission Clutch
40	4659 391AB	1			ECB	DGL	SEAL, Under Drive
41	6501 702	1			ECB	DGL	SNAP RING
42	4412 203	1			ECB	DGL	SNAP RING
43	4412 202	1			ECB	DGL	SPRING, Overdrive Piston
44	6033 158	1			ECB	DGL	O RING, Reverse & O/Drive Clutch Piston, Transmission
45	5017 518AA	1			ECB	DGL	HUB PACKAGE, Input Clutch
46	4531 903	1			ECB	DGL	FILTER, Reverse And O/D Clutch
47	4659 056	1			ECB	DGL	SEAL, Reverse Servo Piston

DODGE - CHRYSLER NEON (PL)

SERIES	LINE	BODY	ENGINE	TRANSMISSION
L=Low Line	Z=Chrysler, RHD	41 = 4 Door,	ECB,EC0=2.0L 4 Cyl., 16V SMPI	DD5=5 Speed Manual
H=High Line	D=Dodge	104WB	ECH,EC0=2.0L 4 Cyl, 16V SOHC	DGC=3 Speed Automatic
	D=Chrysler		EJD,EJ0=1.6L 4 Cyl 16V, SOHC	DGL=4 Speed Automatic
	P=Plymouth		EBD,EB0=1.8L 4 Cyl 16V SEF	DG0=All Automatics
				DBB=All 5 Speed Manual

AR = Use as required - = Non illustrated part # = New this model year

May 2, 2002

Gear Train
Figure 41TE-AE-430

ITEM	PART NUMBER	QTY	LINE	SERIES	ENGINE	TRANS	DESCRIPTION
------	-------------	-----	------	--------	--------	-------	-------------

Note; Sales Codes n key.

[DGL]= 4 Speed Automatic Transmissions 41TE n key.

[ECB]= 2.0L 4 Cylinder Single Overhead Cam 16 Valve Engines n key.

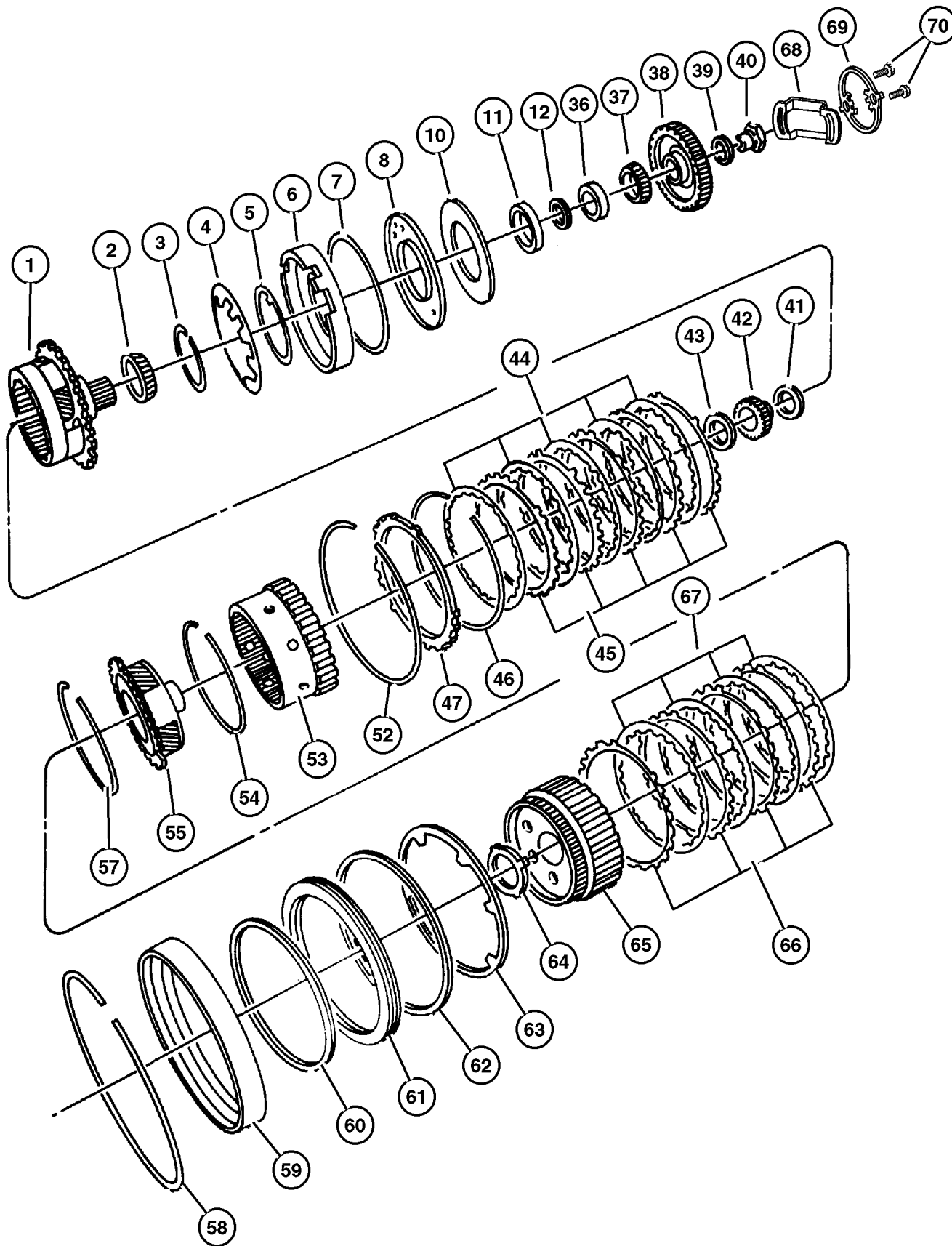
1	5014 200AA	1			ECB	DGL	CARRIER AND BEARING, Planet Pinion
2	4659 238	1			ECB	DGL	BEARING CONE, Differential
3	6501 853	1			ECB	DGL	SNAP RING
4	4412 261	1			ECB	DGL	SPRING, Low/Reverse Clutch Piston
5	4882 917	1			ECB	DGL	SEAL PACKAGE, Transmission Clutch
6	4431 672	1			ECB	DGL	PISTON, Low and Reverse Clutch
7	4882 917	1			ECB	DGL	SEAL PACKAGE, Transmission Clutch
8	4431 648	1			ECB	DGL	RETAINER, Transmission Low and Reverse Clutch Piston
-9	6501 819	2			ECB	DGL	SCREW AND WASHER, Pan Head, M5x0.8x11.00
10	4431 649	1			ECB	DGL	GASKET, Clutch Retainer
11	4567 022	1			ECB	DGL	BEARING CUP, Differential
12	4412 806AB	1			ECB	DGL	SPACER, Output Shaft, 3.46mm
-13	4412 807AB	1			ECB	DGL	SPACER, Output Shaft, 3.50mm
-14	4412 808AB	1			ECB	DGL	SPACER, Output Shaft, 3.54mm
-15	4412 809AB	1			ECB	DGL	SPACER, Output Shaft, 3.58mm
-16	4412 811AB	1			ECB	DGL	SPACER, Output Shaft, 3.66mm
-17	4412 812AB	1			ECB	DGL	SPACER, Output Shaft, 3.70mm
-18	4412 813AB	1			ECB	DGL	SPACER, Output Shaft, 3.74mm
-19	4412 814AB	1			ECB	DGL	SPACER, Output Shaft, 3.78mm
-20	4412 815AB	1			ECB	DGL	SPACER, Output Shaft, 3.82mm
-21	4412 816AB	1			ECB	DGL	SPACER, Output Shaft, 3.86mm
-22	4412 817AB	1			ECB	DGL	SPACER, Output Shaft, 3.90mm
-23	4412 818AB	1			ECB	DGL	SPACER, Output Shaft, 3.94mm
-24	4412 819AB	1			ECB	DGL	SPACER, Output Shaft, 3.98mm
-25	4412 820AB	1			ECB	DGL	SPACER, Output Shaft, 4.02mm
-26	4412 821AB	1			ECB	DGL	SPACER, Output Shaft, 4.06mm
-27	4412 822AB	1			ECB	DGL	SPACER, Output Shaft, 4.10mm
-28	4412 823AB	1			ECB	DGL	SPACER, Output Shaft, 4.14mm
-29	4412 824AB	1			ECB	DGL	SPACER, Output Shaft, 4.18mm
-30	4412 825AB	1			ECB	DGL	SPACER, Output Shaft, 4.22mm
-31	4412 826AB	1			ECB	DGL	SPACER, Output Shaft, 4.26mm
-32	4412 827AB	1			ECB	DGL	SPACER, Output Shaft, 4.30mm
-33	4412 828AB	1			ECB	DGL	SPACER, Output Shaft, 4.34mm
-34	4412 829AB	1			ECB	DGL	SPACER, Output Shaft, 4.38mm
-35	4412 830AB	1			ECB	DGL	SPACER, Output Shaft, 4.42mm
36	4412 234	1			ECB	DGL	BEARING CUP, Output Shaft
37	4412 235	1			ECB	DGL	BEARING CONE, Output Shaft
38	4713 444	1			ECB	DGL	GEAR PACKAGE, Output And Transfer Shaft

DODGE - CHRYSLER NEON (PL)

SERIES	LINE	BODY	ENGINE	TRANSMISSION
L=Low Line	Z=Chrysler, RHD	41 = 4 Door,	ECB,EC0=2.0L 4 Cyl., 16V SMPI	DD5=5 Speed Manual
H=High Line	D=Dodge	104WB	ECH,EC0=2.0L 4 Cyl, 16V SOHC	DGC=3 Speed Automatic
	D=Chrysler		EJD,EJ0=1.6L 4 Cyl 16V, SOHC	DGL=4 Speed Automatic
	P=Plymouth		EBD,EB0=1.8L 4 Cyl 16V SEF	DG0=All Automatics
				DBB=All 5 Speed Manual

AR = Use as required - = Non illustrated part # = New this model year

May 2, 2002



Gear Train
Figure 41TE-AE-430

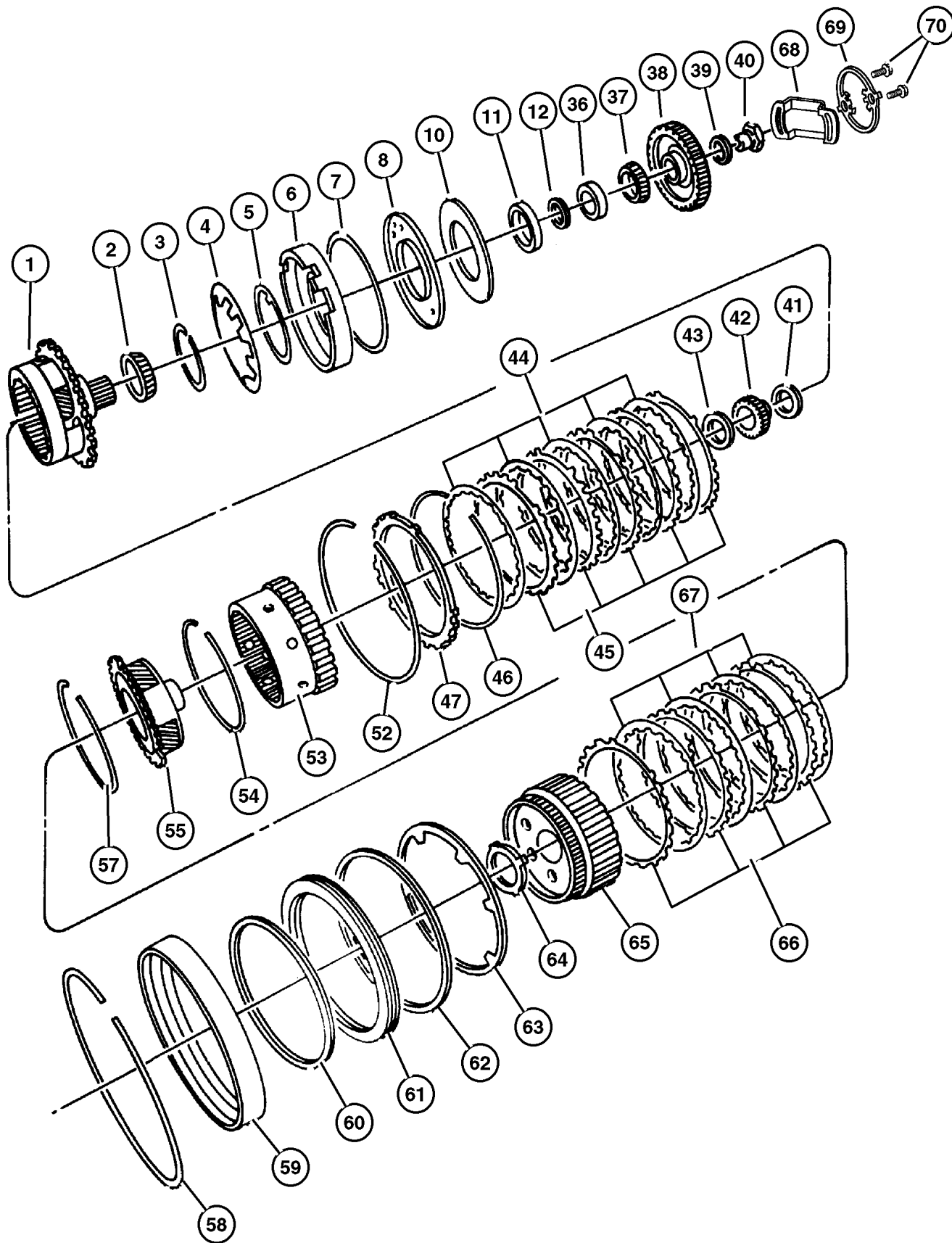
ITEM	PART NUMBER	QTY	LINE	SERIES	ENGINE	TRANS	DESCRIPTION
39	6501 832	1			ECB	DGL	WASHER, Output Shaft
40	6503 548	1			ECB	DGL	BOLT, Hex Head, M18x1.5x34
41	4567 262	1			ECB	DGL	THRUST BEARING
42	4377 080	1			ECB	DGL	GEAR, Sun
43	4412 229AB	1			ECB	DGL	THRUST BEARING, Rear Sun Gear, Front
44	4567 573	5			ECB	DGL	DISC, Clutch
45	4659 055	5			ECB	DGL	PLATE, Transmission Clutch Reaction
46	4412 395	1			ECB	DGL	SNAP RING
47	4897 452AA	1			ECB	DGL	PLATE PACKAGE, Low/Reverse Clutch, 5.753/6.012
-48	4897 453AA	1			ECB	DGL	PLATE PACKAGE, Low/Reverse Clutch, 6.013/6.272
-49	4897 454AA	1			ECB	DGL	PLATE PACKAGE, Low/Reverse Clutch, 6.273/6.532
-50	4897 455AA	1			ECB	DGL	PLATE PACKAGE, Low/Reverse Clutch, 6.533/6.792
-51	4897 456AA	1			ECB	DGL	PLATE PACKAGE, Low/Reverse Clutch, 6.793/7.052
52	4799 858AA	1			ECB	DGL	SNAP RING
53	4799 794	1			ECB	DGL	GEAR, Annulus
54	6035 238	1			ECB	DGL	SNAP RING
55	4567 539AB	1			ECB	DGL	CARRIER, Planetary Pinion
-56	4567 262	1			ECB	DGL	THRUST BEARING
57	6035 238	2			ECB	DGL	SNAP RING
58	4505 591	1			ECB	DGL	SNAP RING
59	4883 078	1			ECB	DGL	RETAINER PACKAGE, 2nd & 4th Clutch Piston
60	4856 002	1			ECB	DGL	SEAL PACKAGE, Transmission Clutch
61	4883 078	1			ECB	DGL	RETAINER PACKAGE, 2nd & 4th Clutch Piston
62	4856 002	1			ECB	DGL	SEAL PACKAGE, Transmission Clutch
63	4412 248	1			ECB	DGL	SPRING, 2nd And 4th Clutch Piston
64	4412 216AB	1			ECB	DGL	THRUST WASHER, Second and Fourth Clutch
65	4659 618AB	1			ECB	DGL	HUB AND GEAR, Second And Fourth Clutch
66	4659 054	4			ECB	DGL	PLATE, Transmission Clutch Reaction
67	4799 860AA	4			ECB	DGL	DISC, Clutch
68	4567 263	1			ECB	DGL	STIRRUP, Retaining Nut
69	4659 134	1			ECB	DGL	STRAP, Retaining
70	6503 355	2			ECB	DGL	BOLT, Hex Head, M8x1.25x10.00

DODGE - CHRYSLER NEON (PL)

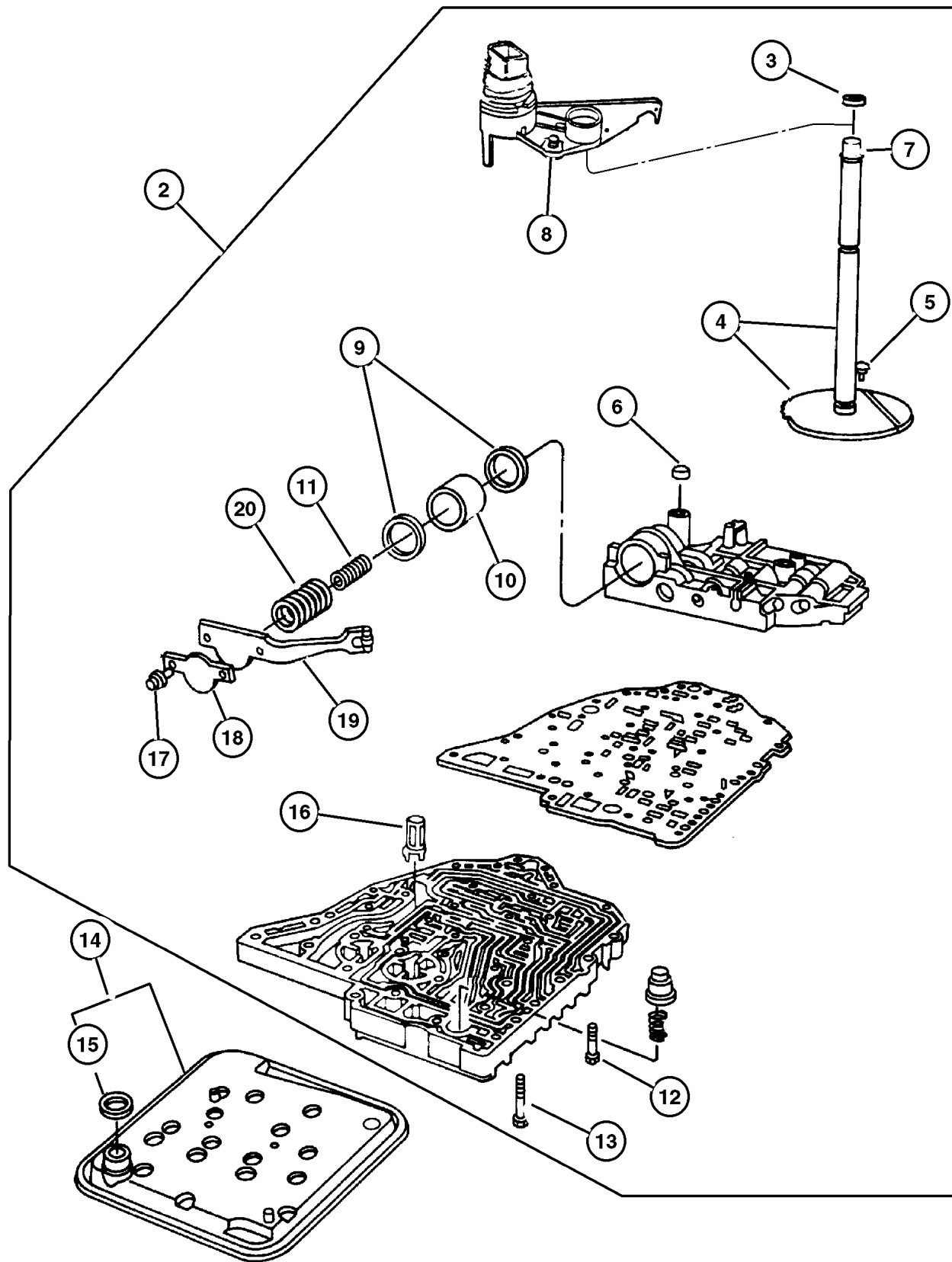
SERIES	LINE	BODY	ENGINE	TRANSMISSION
L=Low Line	Z=Chrysler, RHD	41 = 4 Door,	ECB,EC0=2.0L 4 Cyl., 16V SMPI	DD5=5 Speed Manual
H=High Line	D=Dodge	104WB	ECH,EC0=2.0L 4 Cyl, 16V SOHC	DGC=3 Speed Automatic
	D=Chrysler		EJD,EJ0=1.6L 4 Cyl 16V, SOHC	DGL=4 Speed Automatic
	P=Plymouth		EBD,EB0=1.8L 4 Cyl 16V SEF	DG0=All Automatics
				DBB=All 5 Speed Manual

AR = Use as required - = Non illustrated part # = New this model year

May 2, 2002



Valve Body
Figure 41TE-AE-710



ITEM	PART NUMBER	QTY	LINE	SERIES	ENGINE	TRANS	DESCRIPTION
NOTE; SALES CODES; DGL = 4 Spd Auto Trans 41TE - FWD n key.							
ECB = 2.0L 4 CYL SOHC n key.							
-1	4864 696AB	1			ECB	DGL	GASKET PACKAGE, Valve Body
2	5015 808AB	1			ECB	DGL	VALVE BODY, Complete
3	4412 836	1			ECB	DGL	SEAL, Manual Valve Lever
4	4883 316	1			ECB	DGL	LEVER, Manual Valve
5	6506 245AA	1			ECB	DGL	SCREW
6	4412 291	1			ECB	DGL	SEAL, Clutch Feed
7	4505 557	1			ECB	DGL	VENT, Transmission
8	4659 676AC	1			ECB	DGL	SENSOR, Transmission Range
9	4446 544	2			ECB	DGL	SEAL, Accumulator
10	4446 620	5			ECB	DGL	PISTON, 2nd and 4th Accumulator
11	4567 575	1			ECB	DGL	SPRING, Accumulator
12	6500 215	24			ECB	DGL	SCREW AND WASHER, Pan Head, M5x.8x25
13	6100 155	18			ECB	DGL	BOLT, Hex Head, M8x30
14	4864 505AB	1			ECB	DGL	FILTER PACKAGE, Transmission Oil
15	6032 780	1			ECB	DGL	O RING, Trans Oil Filter
16	3878 313	1			ECB	DGL	SCREEN, Transmission Regulator Valve
17	6503 232	2			ECB	DGL	SCREW, Pan Head, M5 x 0.8 x 12.60
18	4431 711	1			ECB	DGL	RETAINER, Transmission 2nd and 4th Accumulator Piston
19	4431 710	1			ECB	DGL	DETENT, Valve Body
20	4659 124	1			ECB	DGL	SPRING, Accumulator

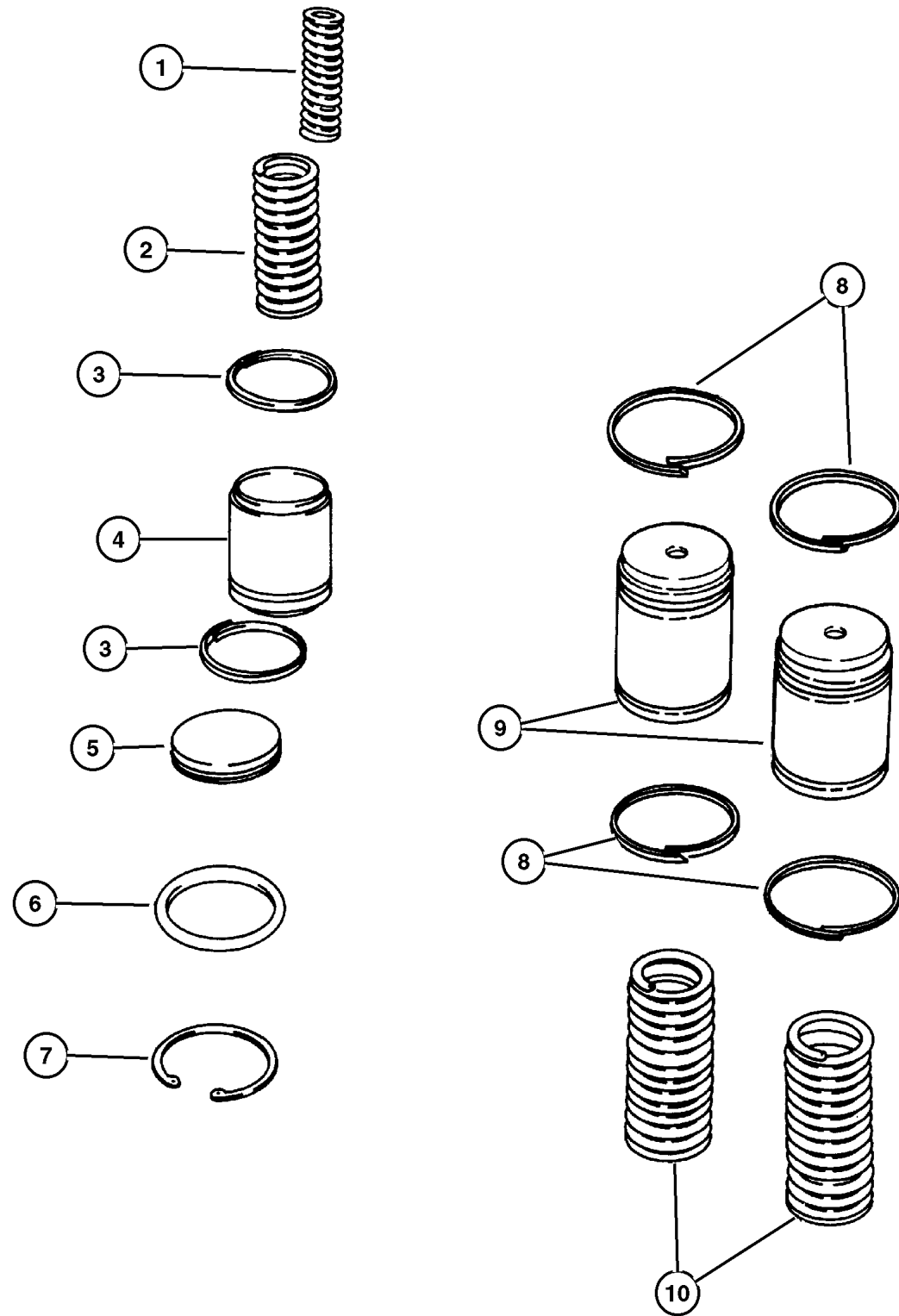
DODGE - CHRYSLER NEON (PL)

SERIES	LINE	BODY	ENGINE	TRANSMISSION
L=Low Line	Z=Chrysler, RHD	41 = 4 Door,	ECB,EC0=2.0L 4 Cyl., 16V SMPI	DD5=5 Speed Manual
H=High Line	D=Dodge	104WB	ECH,EC0=2.0L 4 Cyl, 16V SOHC	DGC=3 Speed Automatic
	D=Chrysler		EJD,EJ0=1.6L 4 Cyl 16V, SOHC	DGL=4 Speed Automatic
	P=Plymouth		EBD,EB0=1.8L 4 Cyl 16V SEF	DG0=All Automatics
				DBB=All 5 Speed Manual

AR = Use as required - = Non illustrated part # = New this model year

May 2, 2002

Accumulator Piston and Springs Figure 41TE-AE-720



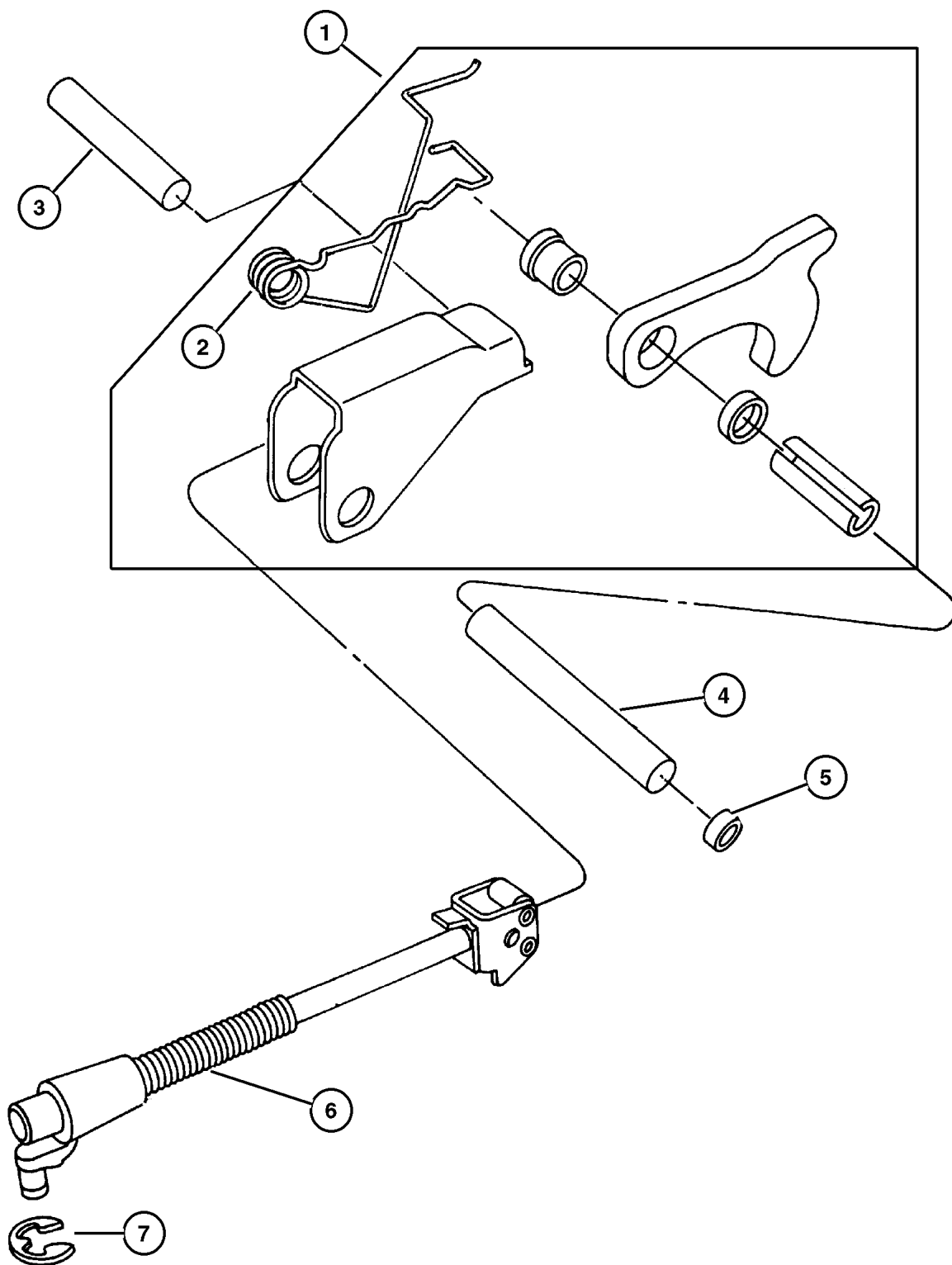
ITEM	PART NUMBER	QTY	LINE	SERIES	ENGINE	TRANS	DESCRIPTION
Note; Sales Codes n key.							
[DGL]= 4 Speed Automatic Transmissions 41TE n key.							
[ECB]= 2.0L 4 Cylinder Single Overhead Cam 16 Valve Engines n key.							
1	4567 575	1			ECB	DGL	SPRING, Accumulator
2	4659 124	1			ECB	DGL	SPRING, Accumulator
3	4446 544	10			ECB	DGL	SEAL, Accumulator
4	4446 620	5			ECB	DGL	PISTON, 2nd and 4th Accumulator
5	4431 617	1			ECB	DGL	COVER, Accumulator
6	6501 549	1			ECB	DGL	O RING, Accumulator, Transmission
7	6501 695	1			ECB	DGL	SNAP RING
8	4446 544	2			ECB	DGL	SEAL, Accumulator
9	4446 620	5			ECB	DGL	PISTON, 2nd and 4th Accumulator
10	4659 124	1			ECB	DGL	SPRING, Accumulator

DODGE - CHRYSLER NEON (PL)				
SERIES	LINE	BODY	ENGINE	TRANSMISSION
L=Low Line	Z=Chrysler, RHD	41 = 4 Door,	ECB,EC0=2.0L 4 Cyl., 16V SMPI	DD5=5 Speed Manual
H=High Line	D=Dodge	104WB	ECH,EC0=2.0L 4 Cyl, 16V SOHC	DGC=3 Speed Automatic
	D=Chrysler		EJD,EJ0=1.6L 4 Cyl 16V, SOHC	DGL=4 Speed Automatic
	P=Plymouth		EBD,EB0=1.8L 4 Cyl 16V SEF	DG0=All Automatics
				DBB=All 5 Speed Manual

AR = Use as required - = Non illustrated part # = New this model year

May 2, 2002

Parking Sprag Figure 41TE-AE-730



ITEM	PART NUMBER	QTY	LINE	SERIES	ENGINE	TRANS	DESCRIPTION
------	-------------	-----	------	--------	--------	-------	-------------

Note; Sales Codes n key.

[DGL]= 4 Speed Automatic Transmissions 41TE n key.

[ECB]= 2.0L 4 Cylinder Single Overhead Cam 16 Valve Engines n key.

1	4883 505AA	1			ECB	DGL	GUIDE PACKAGE, Parking Sprag Pawl
2	4431 653	1			ECB	DGL	SPRING, Parking Sprag Return
3	4431 999	1			ECB	DGL	SHAFT, Parking Sprag
4	4412 289	1			ECB	DGL	SHAFT, Parking Sprag
5	4446 612	1			ECB	DGL	CUP, Parking Brake Sprag
6	4431 634	1			ECB	DGL	ROD, Parking Sprag
7	6035 256	1			ECB	DGL	SNAP RING, Rod

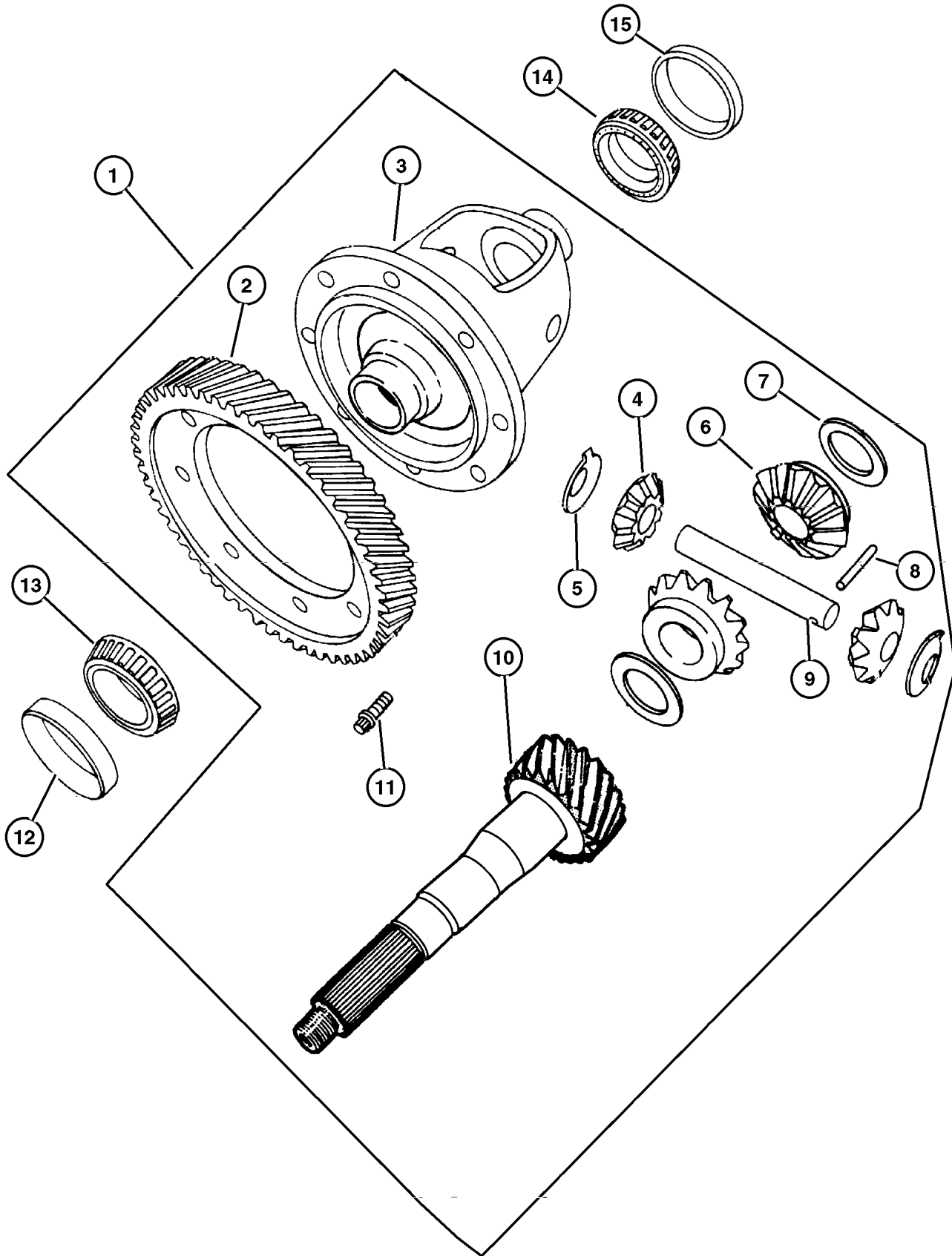
DODGE - CHRYSLER NEON (PL)				
SERIES	LINE	BODY	ENGINE	TRANSMISSION
L=Low Line	Z=Chrysler, RHD	41 = 4 Door,	ECB,EC0=2.0L 4 Cyl., 16V SMPI	DD5=5 Speed Manual
H=High Line	D=Dodge	104WB	ECH,EC0=2.0L 4 Cyl, 16V SOHC	DGC=3 Speed Automatic
	D=Chrysler		EJD,EJ0=1.6L 4 Cyl 16V, SOHC	DGL=4 Speed Automatic
	P=Plymouth		EBD,EB0=1.8L 4 Cyl 16V SEF	DG0=All Automatics
				DBB=All 5 Speed Manual

AR = Use as required - = Non illustrated part # = New this model year

May 2, 2002

Differential Figure 41TE-AE-810

ITEM	PART NUMBER	QTY	LINE	SERIES	ENGINE	TRANS	DESCRIPTION
Note; Sales Codes n key.							
[DGL]= 4 Speed Automatic Transmissions 41TE n key.							
[ECB]= 2.0L 4 Cylinder Single Overhead Cam 16 Valve Engines n key.							
1	4659 496AB	1			ECB	DGL	DIFFERENTIAL, Transaxle
2	4659 175	1			ECB	DGL	GEAR, Differential Ring, 60 Teeth
3	4659 500	1			ECB	DGL	CASE, Differential
4	4348 679	2			ECB	DGL	PINION, Differential
5	4412 521	2			ECB	DGL	WASHER, Thrust
6	4659 502	2			ECB	DGL	GEAR, Differential Side
7	4504 568	AR			ECB	DGL	WASHER PACKAGE, Side Gear Thrust
8	6503 827	1			ECB	DGL	PIN, Pinion Shaft
9	4659 142AB	1			ECB	DGL	SHAFT, Pinion Gear
10	4531 976	1			ECB	DGL	SHAFT, Transfer Gear
11	6501 240	12			ECB	DGL	BOLT, Hex Head, M10x1.00x25
12	4659 237	1			ECB	DGL	CUP, Differential Side Bearing
13	4659 238	1			ECB	DGL	BEARING CONE, Differential
14	4567 025AB	1			ECB	DGL	BEARING
15	4567 022	1			ECB	DGL	BEARING CUP, Differential

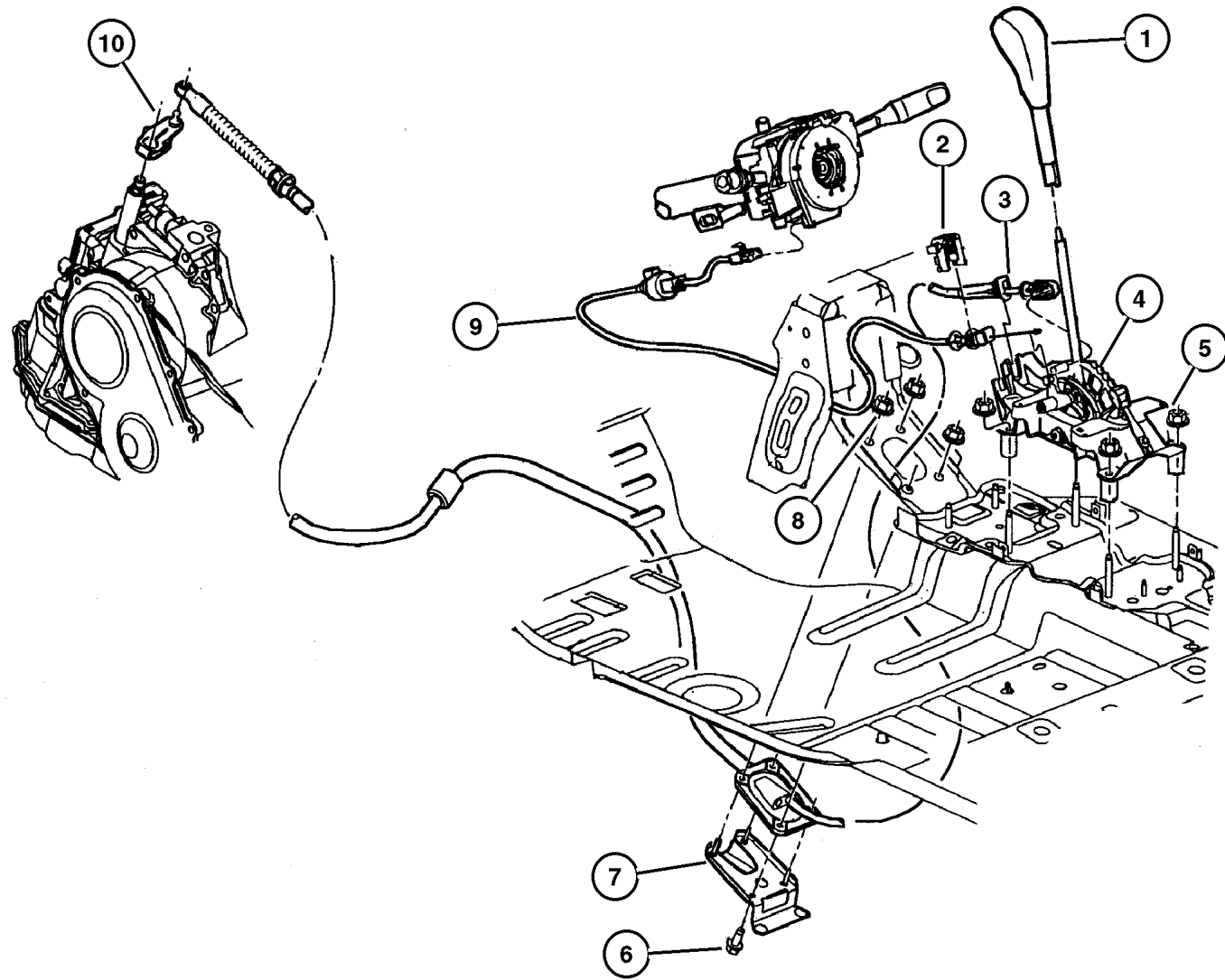


DODGE - CHRYSLER NEON (PL)				
SERIES	LINE	BODY	ENGINE	TRANSMISSION
L=Low Line	Z=Chrysler, RHD	41 = 4 Door,	ECB,EC0=2.0L 4 Cyl., 16V SMPI	DD5=5 Speed Manual
H=High Line	D=Dodge	104WB	ECH,EC0=2.0L 4 Cyl, 16V SOHC	DGC=3 Speed Automatic
	D=Chrysler		EJD,EJ0=1.6L 4 Cyl 16V, SOHC	DGL=4 Speed Automatic
	P=Plymouth		EBD,EB0=1.8L 4 Cyl 16V SEF	DG0=All Automatics
				DBB=All 5 Speed Manual

AR = Use as required - = Non illustrated part # = New this model year

May 2, 2002

Controls, Floor Shift
Figure 41TE-AE-1210



ITEM	PART NUMBER	QTY	LINE	SERIES	ENGINE	TRANS	DESCRIPTION
Note: Sales Codes n key.							
[DGC]= 3 Speed Automatic Transmissions n key.							
[DGL]= 4 Speed Automatic Transmissions 41TE n key.							
[EBD]= 1.8L 4 Cylinder Single Overhead Cam 16 Valve Engines n key.							
[ECB]= 2.0L 4 Cylinder Single Overhead Cam 16 Valve Engines n key.							
[ECH]= 2.0L 4 Cylinder Single Overhead Cam 16 Valve Hi Performance Engines n key.							
[EJD]= 1.6L 4 Cylinder Single Overhead Cam 16 Valve Engines n key.							
1	4668 575AB	1				DGC, DGL	KNOB, Gearshift
2	4668 630AB	1				DGC, DGL	CLIP, Locking
3	4668 900AF	1				DGC, DGL	CABLE, Gearshift Control
4	4668 205AF	1				DGC, DGL	SHIFTER, Transmission
5	6101 695	1			EBD, ECB, ECH, EJD		NUT, Hex Flange Lock, M8x1.25
6	6034 716	1					SCREW AND WASHER, Hex Flange Head, .25-14x.875
7	4670 042AF	1					PLATE, Transmission Shifter
8	6100 048	1					NUT, Hex, M6x1.00
9	4668 538AG	1	D, P			DGC, DGL	CABLE, Ignition Interlock
10	4670 322	1				DGL	LEVER, Manual Control

DODGE - CHRYSLER NEON (PL)				
SERIES	LINE	BODY	ENGINE	TRANSMISSION
L=Low Line	Z=Chrysler, RHD	41 = 4 Door,	ECB,EC0=2.0L 4 Cyl., 16V SMPI	DD5=5 Speed Manual
H=High Line	D=Dodge	104WB	ECH,EC0=2.0L 4 Cyl, 16V SOHC	DGC=3 Speed Automatic
	D=Chrysler		EJD,EJ0=1.6L 4 Cyl 16V, SOHC	DGL=4 Speed Automatic
	P=Plymouth		EBD,EB0=1.8L 4 Cyl 16V SEF	DG0=All Automatics
				DBB=All 5 Speed Manual

AR = Use as required - = Non illustrated part # = New this model year

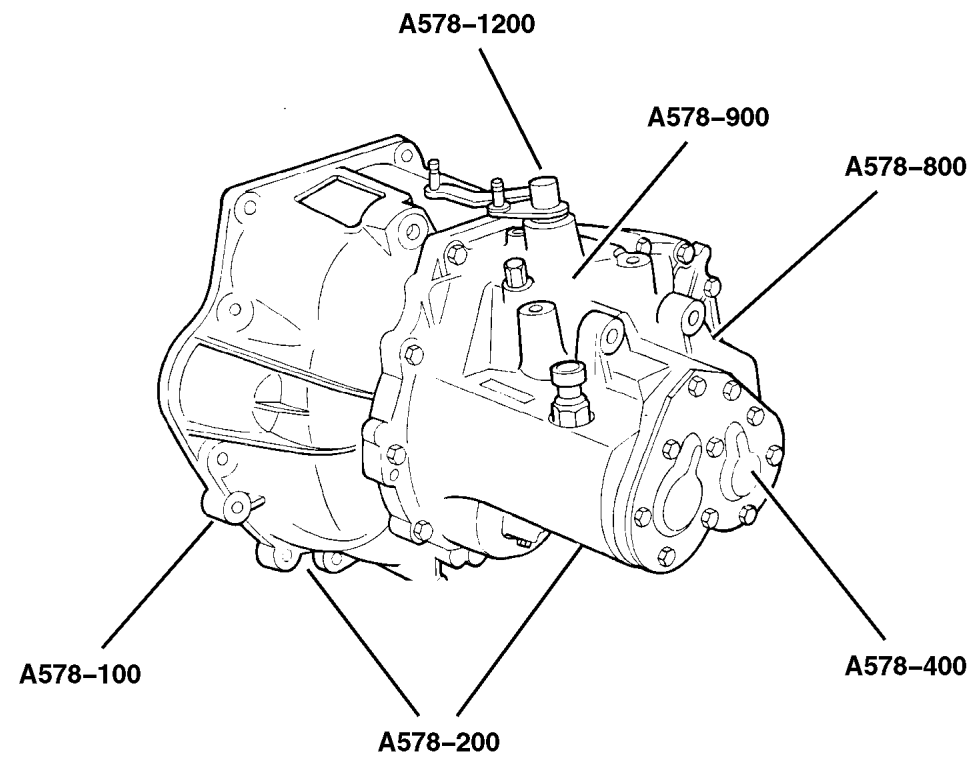
May 2, 2002

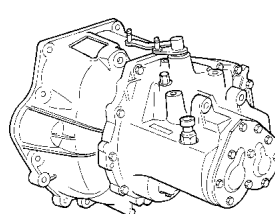
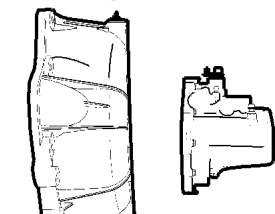
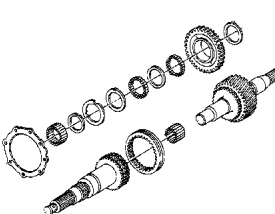
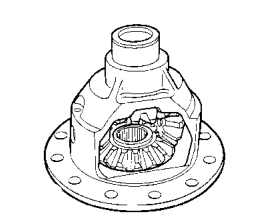
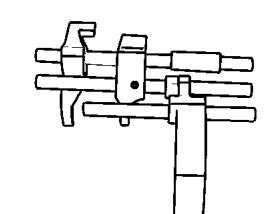
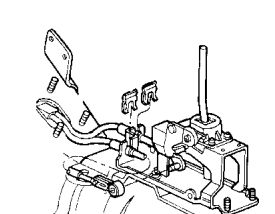
Group – A578

Manual Transaxle 5 Speed

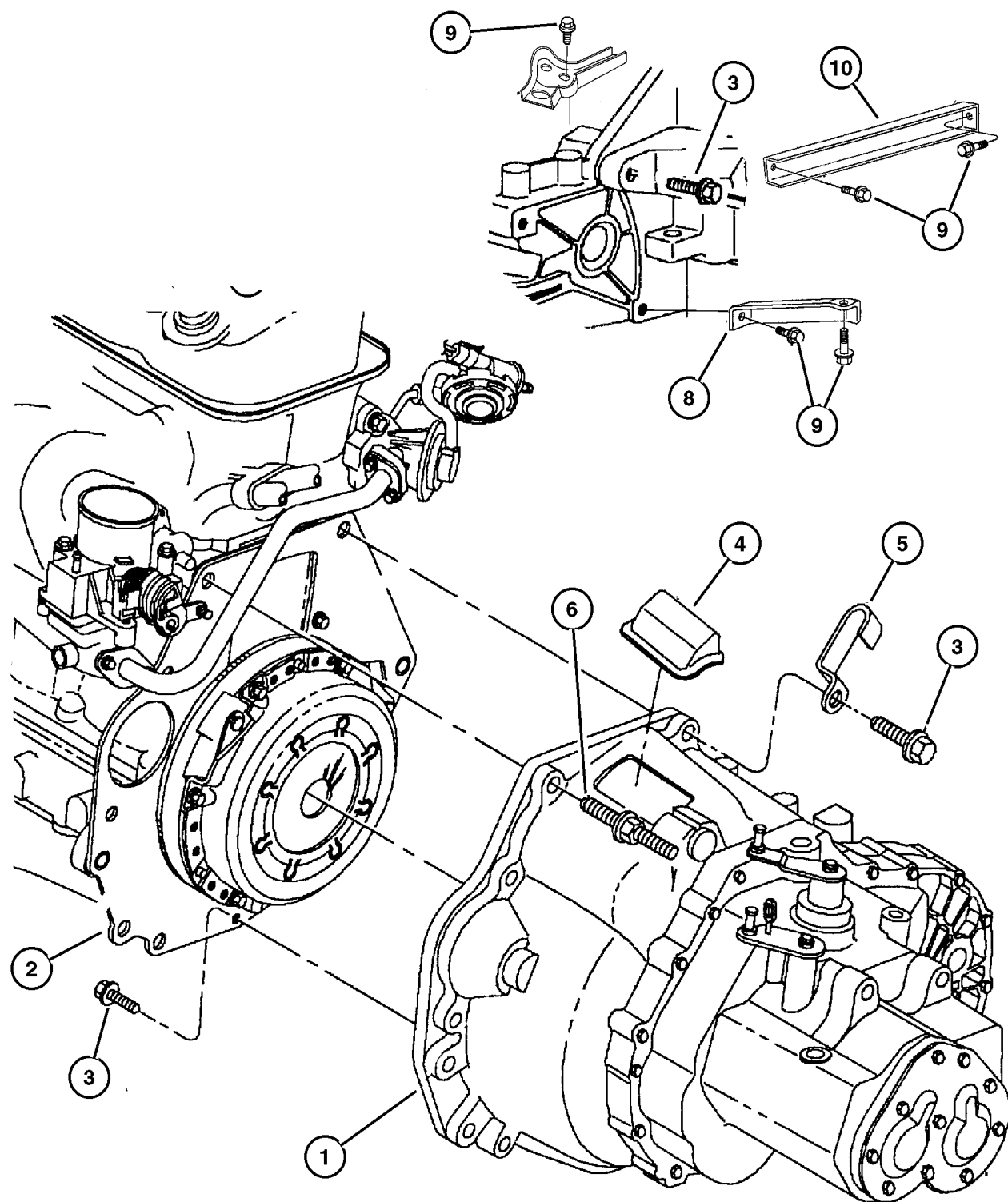
GROUP A578 - Manual Transaxle 5 Speed

Illustration Title	Group-Fig. No.
Transaxle Assembly	
Transaxle Assemblies, And Mounting [DD5]	Fig. A578-110
Case and Extension	
Case, Transaxle And Related Parts, [DD5]	Fig. A578-210
Gear Train	
Gear Train, [DD5]	Fig. A578-410
Differential	
Differential, [DD5]	Fig. A578-810
Fork and Rails	
Fork And Rail, [DD5]	Fig. A578-910
Gearshift Controls	
Controls, Gearshift, [DD5]	Fig. A578-1210



<p>A578-100 Transaxle Assembly</p> 	<p>A578-200 Case and Extension</p> 	<p>A578-400 Gear Train</p> 	<p>A578-800 Differential</p> 
<p>A578-900 Fork and Rails</p> 	<p>A578-1200 Gearshift Controls</p> 		

**Transaxle Assemblies, And Mounting [DD5]
Figure A578-110**



ITEM	PART NUMBER	QTY	LINE	SERIES	ENGINE	TRANS	DESCRIPTION
Note; Sales Codes n key.							
[DD5]= 5 Speed Manual Transmissions n key.							
[EBD]= 1.8L 4 Cylinder Single Overhead Cam 16 Valve Engines n key.							
[ECB]= 2.0L 4 Cylinder Single Overhead Cam 16 Valve Engines n key.							
[ECH]= 2.0L 4 Cylinder Single Overhead Cam 16 Valve Hi Performance Engines n key.							
1							TRANSAXLE
	5017 697AB	1			ECB	DD5	Production No. 4668697AB
	5017 776AB	1			EBD, ECH	DD5	Production No. 4668776AB
2	#4670 197AC	1			EBD, ECB, ECH	DD5	COVER, Transaxle Converter
3	6501 742	3				DD5	SCREW, Hex Head, M12x1.75x50
4	4670 071	1			EBD, ECH	DD5	BOOT, Clutch Release Lever
		1			ECB	DD5	
5	4608 404	1					CLIP, Transaxle
6	6505 314AA	2			ECH		STUD
		2			ECB		
-7	4761 085	2			ECB	DD5	STUD, M12x1.75/M10x1.25x94.5
8							BRACE, Transmission, (NOT SERVICED)
9	6101 503	2				DD5	SCREW AND WASHER, Hex Head, M10x1.5x25
10	4668 176AC	1				DD5	STRUT, Engine

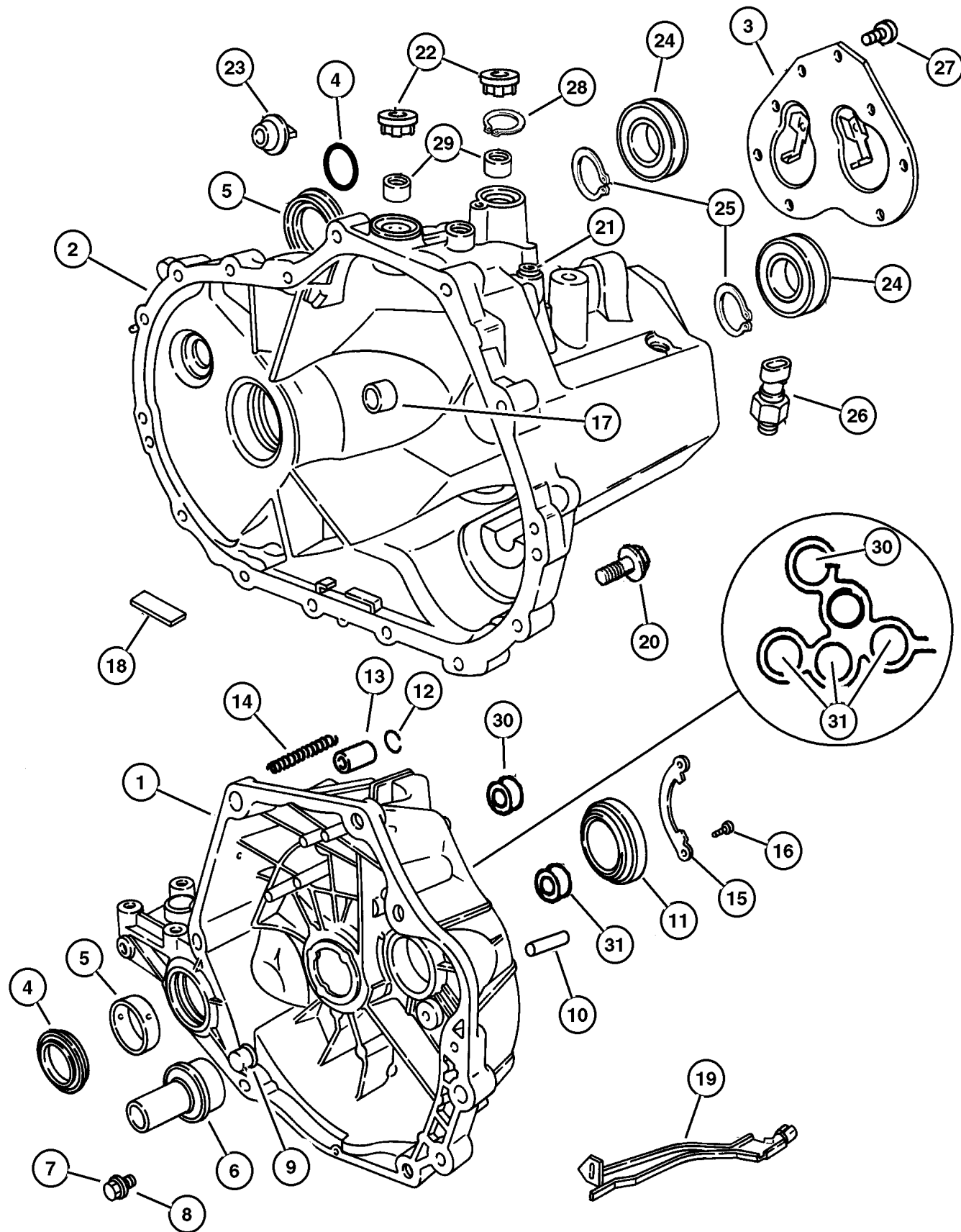
DODGE - CHRYSLER NEON (PL)

SERIES	LINE	BODY	ENGINE	TRANSMISSION
L=Low Line	Z=Chrysler, RHD	41 = 4 Door,	ECB,EC0=2.0L 4 Cyl., 16V SMPI	DD5=5 Speed Manual
H=High Line	D=Dodge	104WB	ECH,EC0=2.0L 4 Cyl, 16V SOHC	DGC=3 Speed Automatic
	D=Chrysler		EJD,EJ0=1.6L 4 Cyl 16V, SOHC	DGL=4 Speed Automatic
	P=Plymouth		EBD,EB0=1.8L 4 Cyl 16V SEF	DG0=All Automatics
				DBB=All 5 Speed Manual

AR = Use as required - = Non illustrated part # = New this model year

May 2, 2002

Case, Transaxle And Related Parts, [DD5]
Figure A578-210



ITEM	PART NUMBER	QTY	LINE	SERIES	ENGINE	TRANS	DESCRIPTION
Note; Sales Codes n key.							
[DD5]= 5 Speed Manual Transmissions n key.							
[EBD]= 1.8L 4 Cylinder Single Overhead Cam 16 Valve Engines n key.							
[ECB]= 2.0L 4 Cylinder Single Overhead Cam 16 Valve Engines n key.							
[ECH]= 2.0L 4 Cylinder Single Overhead Cam 16 Valve Hi Performance Engines n key.							
1	5016 237AA	1			ECB	DD5	HOUSING, Clutch
2	5016 883AA	1			ECB	DD5	CASE, Transmission
		1			EBD,	DD5	
					ECH		
3	5014 463AA	1			ECB	DD5	PLATE, Transaxle Case Rear
		1			EBD,	DD5	
					ECH		
4	4797 334	1			ECB	DD5	SEAL, Differential Bearing
		1			EBD,	DD5	
					ECH		
5	4567 022	1			ECB	DD5	BEARING CUP, Differential
		1			EBD,	DD5	
					ECH		
6	4761 090	1			ECB	DD5	BEARING, Input Shaft
7	4761 101	1			ECB	DD5	SCREW, Drain
		1			EBD,	DD5	
					ECH		
8	4761 100	1			ECB	DD5	WASHER, Drain Plug
		1			EBD,	DD5	
					ECH		
9	4670 240	1			EBD,	DD5	PIVOT, Clutch Release Lever
		1			ECB	DD5	
10	4761 099	2			ECB	DD5	PIN, Locating
11	4761 093	1			ECB	DD5	BEARING PACKAGE, Output Shaft
12	4761 096	1			ECB	DD5	SNAP RING
		1			EBD,	DD5	
					ECH		
13							DETENT, Valve Body

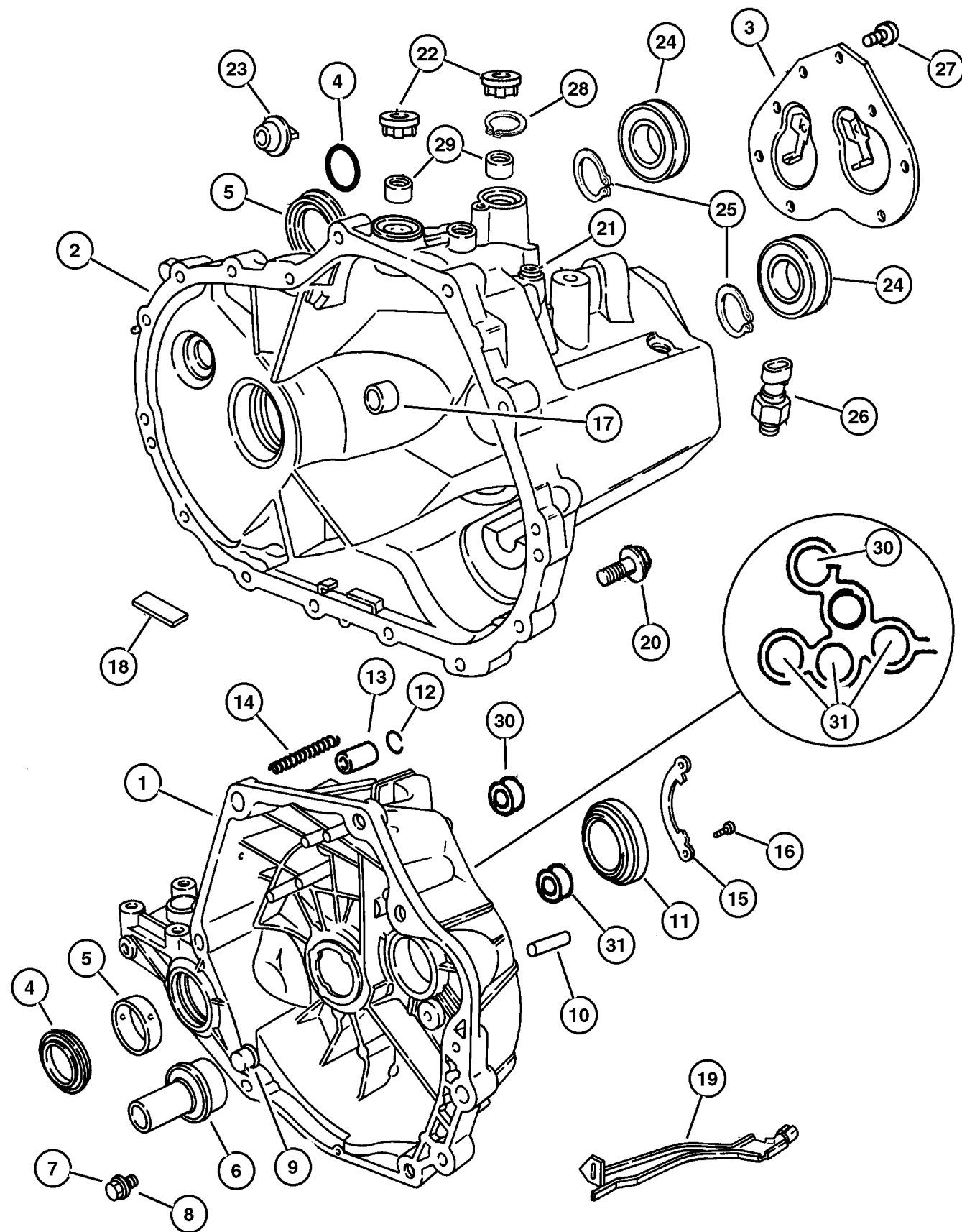
DODGE - CHRYSLER NEON (PL)

SERIES	LINE	BODY	ENGINE	TRANSMISSION
L=Low Line	Z=Chrysler, RHD	41 = 4 Door,	ECB,EC0=2.0L 4 Cyl., 16V SMPI	DD5=5 Speed Manual
H=High Line	D=Dodge	104WB	ECH,EC0=2.0L 4 Cyl, 16V SOHC	DGC=3 Speed Automatic
	D=Chrysler		EJD,EJ0=1.6L 4 Cyl 16V, SOHC	DGL=4 Speed Automatic
	P=Plymouth		EBD,EB0=1.8L 4 Cyl 16V SEF	DG0=All Automatics
				DBB=All 5 Speed Manual

AR = Use as required - = Non illustrated part # = New this model year

May 2, 2002

Case, Transaxle And Related Parts, [DD5]
Figure A578-210



ITEM	PART NUMBER	QTY	LINE	SERIES	ENGINE	TRANS	DESCRIPTION
	4761 094	1			ECB	DD5	
		1			EBD, ECH	DD5	
14	4761 095	1			ECB	DD5	SPRING, Select Detent
		1			EBD, ECH	DD5	
15	4761 097	1			ECB	DD5	RETAINER, Transmission Output Shaft Bearing
16	4761 098	2			ECB	DD5	BOLT, Output Shaft Bearing
17							BUSHING, Shift Rail
	4740 899	1			ECB	DD5	15mm I/D, 12mm Long
		1			EBD, ECH	DD5	15mm I/D, 12mm Long
	4761 076	1			ECB	DD5	15mm I/D, 10mm Long
		1			EBD, ECH	DD5	15mm I/D, 10mm Long
	4762 605	3			ECB	DD5	14mm I/D, 10mm Long
		3			EBD, ECH	DD5	14mm I/D, 10mm Long
18							MAGNET, Transmission
	4761 078	1			ECB	DD5	
		1			EBD, ECH	DD5	
19							TROUGH, Lubrication
	4761 087	1			ECB	DD5	
		1			EBD, ECH	DD5	
20							BOLT AND CONED WASHER, Hex Head, M8x45x17
	6100 299	1			ECB	DD5	
		1			EBD, ECH	DD5	
21							VENT, Cap, Jiggle
	2124 715	1			EBD, ECH	DD5	
		1			ECB	DD5	
22							SEAL, Shift Lever
	4761 077	2			ECB	DD5	
		2			EBD, ECH	DD5	
23							PLUG, Oil Fill

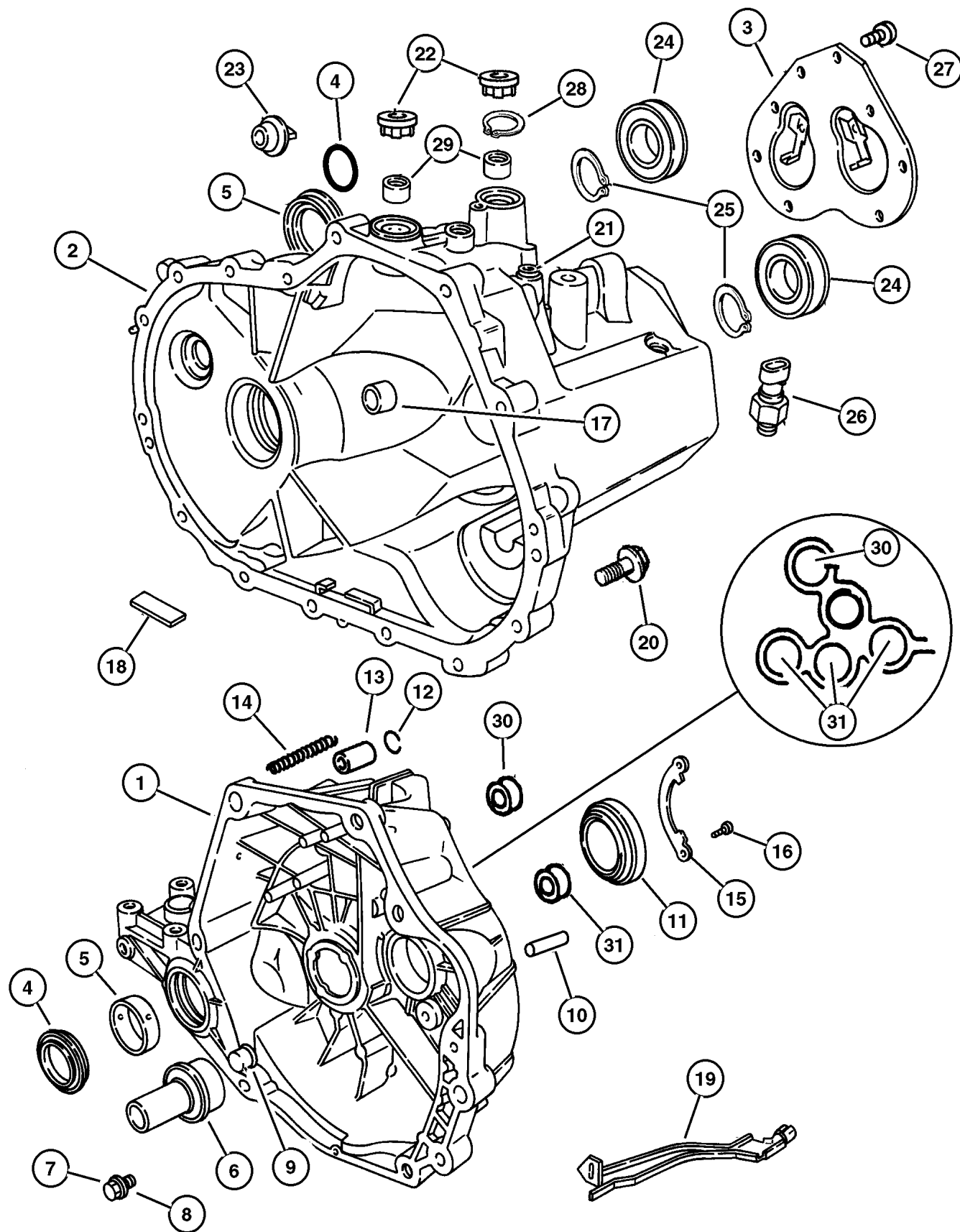
DODGE - CHRYSLER NEON (PL)

SERIES	LINE	BODY	ENGINE	TRANSMISSION
L=Low Line	Z=Chrysler, RHD	41 = 4 Door, 104WB	ECB,EC0=2.0L 4 Cyl., 16V SMPI	DD5=5 Speed Manual
H=High Line	D=Dodge		ECH,EC0=2.0L 4 Cyl, 16V SOHC	DGC=3 Speed Automatic
	D=Chrysler		EJD,EJ0=1.6L 4 Cyl 16V, SOHC	DGL=4 Speed Automatic
	P=Plymouth		EBD,EB0=1.8L 4 Cyl 16V SEF	DG0=All Automatics
				DBB=All 5 Speed Manual

AR = Use as required - = Non illustrated part # = New this model year

May 2, 2002

Case, Transaxle And Related Parts, [DD5]
Figure A578-210



ITEM	PART NUMBER	QTY	LINE	SERIES	ENGINE	TRANS	DESCRIPTION
	4348 325	1			EBD, ECH	DD5	
24	4761 090	1			ECB	DD5	BEARING, Input Shaft
	5013 634AA	2			EBD, ECH	DD5	
25	4761 080	2			ECB	DD5	SNAP RING
	4864 775	1			EBD, ECH	DD5	
26	4761 082	10			ECB	DD5	SWITCH, Back Up Lamp
	4761 082	10			EBD, ECH	DD5	
27	4761 082	10			ECB	DD5	BOLT, Case Plate
	4762 606	1			EBD, ECH	DD5	
28	4762 606	1			ECB	DD5	RETAINER, Shaft
	4762 602	1			EBD, ECH	DD5	
29	4762 602	1			ECB	DD5	BUSHING, Crossover Shaft
	4761 076	1			EBD, ECH	DD5	
30	4761 076	1			ECB	DD5	BUSHING, Shift Rail 15mm I/D, 25mm Long
	4740 899	1			EBD, ECH	DD5	
31	4740 899	1			ECB	DD5	BUSHING, Shift Rail 15mm I/D, 12mm Long
		1			EBD, ECH	DD5	

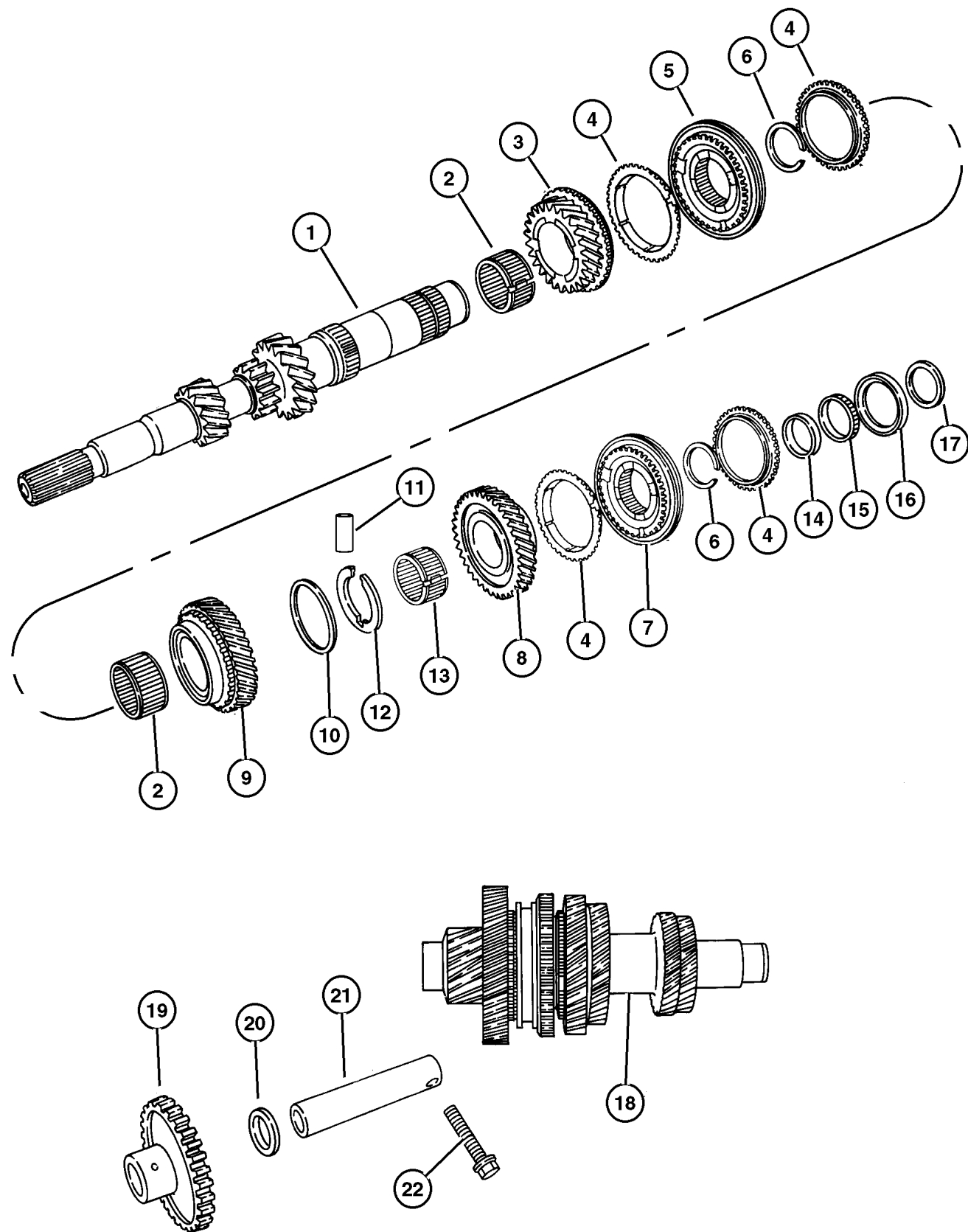
DODGE - CHRYSLER NEON (PL)

SERIES	LINE	BODY	ENGINE	TRANSMISSION
L=Low Line	Z=Chrysler, RHD	41 = 4 Door,	ECB,EC0=2.0L 4 Cyl., 16V SMPI	DD5=5 Speed Manual
H=High Line	D=Dodge	104WB	ECH,EC0=2.0L 4 Cyl, 16V SOHC	DGC=3 Speed Automatic
	D=Chrysler		EJD,EJ0=1.6L 4 Cyl 16V, SOHC	DGL=4 Speed Automatic
	P=Plymouth		EBD,EB0=1.8L 4 Cyl 16V SEF	DG0=All Automatics
				DBB=All 5 Speed Manual

AR = Use as required - = Non illustrated part # = New this model year

May 2, 2002

**Gear Train, [DD5]
Figure A578-410**



ITEM	PART NUMBER	QTY	LINE	SERIES	ENGINE	TRANS	DESCRIPTION
1	5016 882AA	1			ECB	DD5	INPUT SHAFT PACKAGE, Transaxle
2	4762 612	1			ECB	DD5	NEEDLE BEARING
		1			EBD,	DD5	
					ECH		
3	5016 596AA	1			ECB	DD5	GEAR, Third
		1			EBD,	DD5	
					ECH		
4	4874 135	2			ECB	DD5	STOP RING, Synchronizer
		2			EBD,	DD5	
					ECH		
5	5018 964AA	1			ECB	DD5	SYNCHRONIZER, Third and Fourth
		1			EBD,	DD5	
					ECH		
6	4761 136	1			ECB	DD5	RING, Synchronizer Hub, Yellow
		1			EBD,	DD5	
					ECH		
7	5018 965AA	1			ECB	DD5	SYNCHRONIZER, Fifth
		1			EBD,	DD5	
					ECH		
8	4761 141	1			EBD,	DD5	GEAR, Fifth
					ECH		
		1			ECB	DD5	
9	5016 877AA	1			ECB	DD5	GEAR, Fourth
		1			EBD,	DD5	
					ECH		
10	4761 138	1			ECB	DD5	RING, 4th Gear
		1			EBD,	DD5	
					ECH		
11							PIN, Mainshaft

Note; Sales Codes n key.

[DD5]= 5 Speed Manual Transmissions n key.

[EBD]= 1.8L 4 Cylinder Single Overhead Cam 16 Valve Engines n key.

[ECB]= 2.0L 4 Cylinder Single Overhead Cam 16 Valve Engines n key.

[ECH]= 2.0L 4 Cylinder Single Overhead Cam 16 Valve Hi Performance Engines n key.

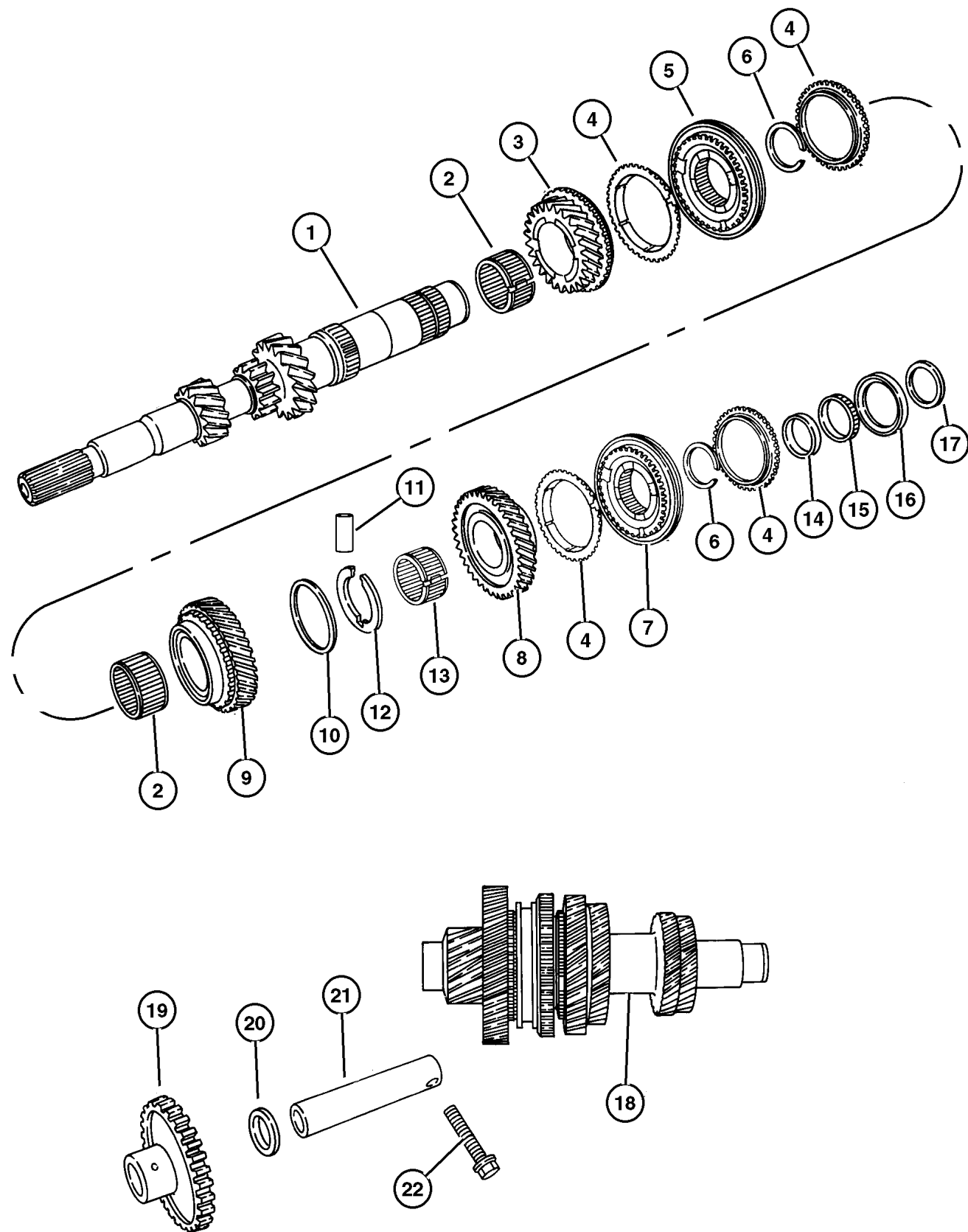
DODGE - CHRYSLER NEON (PL)

SERIES	LINE	BODY	ENGINE	TRANSMISSION
L=Low Line	Z=Chrysler, RHD	41 = 4 Door,	ECB,EC0=2.0L 4 Cyl., 16V SMPI	DD5=5 Speed Manual
H=High Line	D=Dodge	104WB	ECH,EC0=2.0L 4 Cyl, 16V SOHC	DGC=3 Speed Automatic
	D=Chrysler		EJD,EJ0=1.6L 4 Cyl 16V, SOHC	DGL=4 Speed Automatic
	P=Plymouth		EBD,EB0=1.8L 4 Cyl 16V SEF	DG0=All Automatics
				DBB=All 5 Speed Manual

AR = Use as required - = Non illustrated part # = New this model year

May 2, 2002

**Gear Train, [DD5]
Figure A578-410**



ITEM	PART NUMBER	QTY	LINE	SERIES	ENGINE	TRANS	DESCRIPTION
	4761 140	1			ECB	DD5	
		1			EBD, ECH	DD5	
12	4761 137	2			ECB	DD5	WASHER, Fourth Gear
		2			EBD, ECH	DD5	
13	4761 119	1			ECB	DD5	NEEDLE BEARING
		1			EBD, ECH	DD5	
14	4761 120	1			ECB	DD5	BEARING CUP, Reverse Brake
		1			EBD, ECH	DD5	
15	4761 119	1			ECB	DD5	NEEDLE BEARING
		1			EBD, ECH	DD5	
16	4761 121	1			ECB	DD5	BEARING CONE, Reverse Brake
		1			EBD, ECH	DD5	
17	4761 118	1			ECB	DD5	SPACER, Reverse Brake
		1			EBD, ECH	DD5	
18	5017 382AA	1			ECB	DD5	OUTPUT SHAFT, Transaxle
	5017 853AA	1			EBD, ECH	DD5	
19	4886 482AA	1			ECB	DD5	GEAR, Reverse Idler
		1			EBD, ECH	DD5	
20	4761 127	1			ECB	DD5	SPACER, Reverse Idler
		1			EBD, ECH	DD5	
21	4761 126	1			ECB	DD5	IDLER SHAFT, Transmission

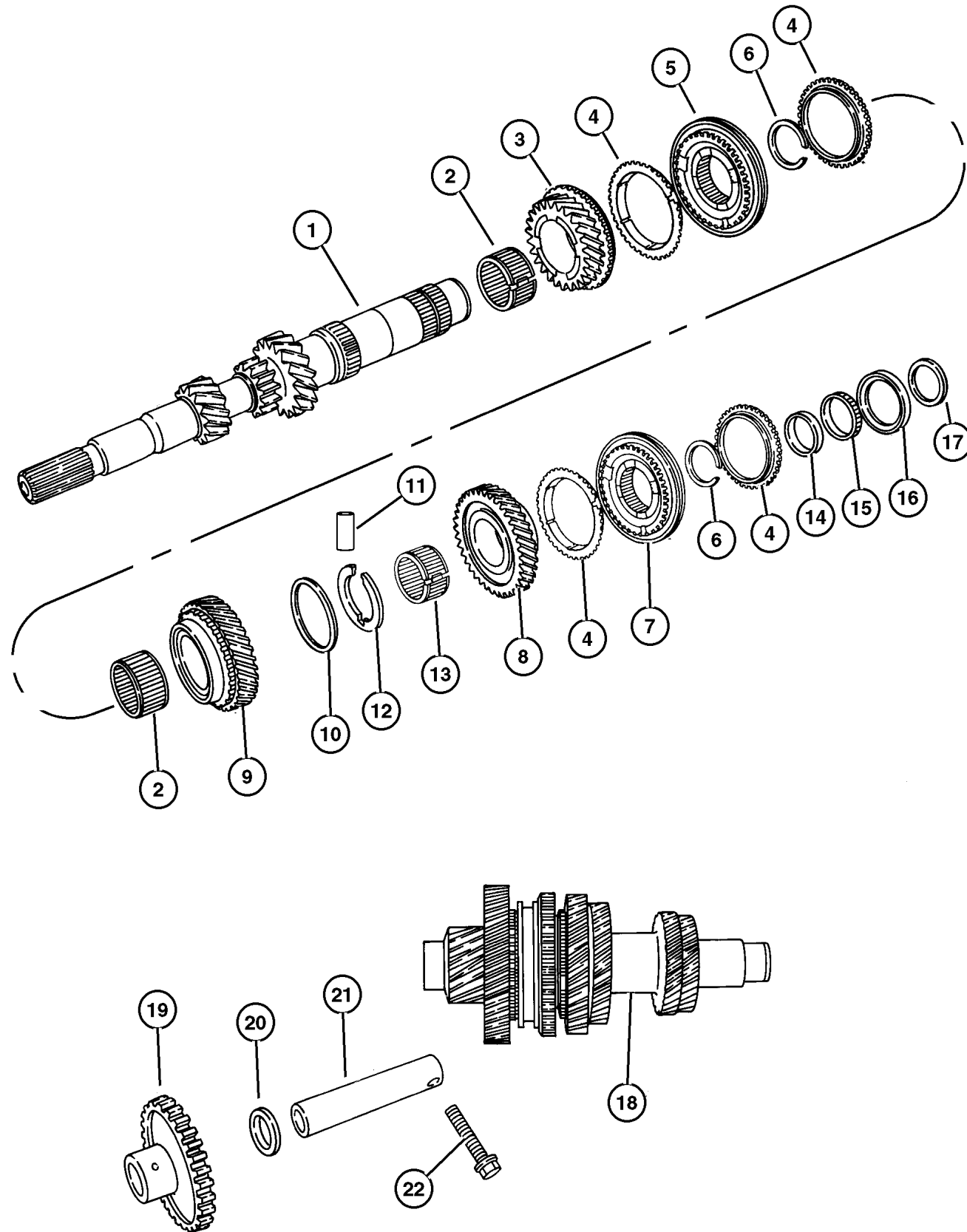
DODGE - CHRYSLER NEON (PL)

SERIES	LINE	BODY	ENGINE	TRANSMISSION
L=Low Line	Z=Chrysler, RHD	41 = 4 Door,	ECB,EC0=2.0L 4 Cyl., 16V SMPI	DD5=5 Speed Manual
H=High Line	D=Dodge	104WB	ECH,EC0=2.0L 4 Cyl, 16V SOHC	DGC=3 Speed Automatic
	D=Chrysler		EJD,EJ0=1.6L 4 Cyl 16V, SOHC	DGL=4 Speed Automatic
	P=Plymouth		EBD,EB0=1.8L 4 Cyl 16V SEF	DG0=All Automatics
				DBB=All 5 Speed Manual

AR = Use as required - = Non illustrated part # = New this model year

May 2, 2002

Gear Train, [DD5]
Figure A578-410



ITEM	PART NUMBER	QTY	LINE	SERIES	ENGINE	TRANS	DESCRIPTION
		1			EBD, ECH	DD5	
22	6100 299	1			ECB	DD5	BOLT AND CONED WASHER, Hex Head, M8x45x17
-23	5291 532AA	2			EBD, ECH	DD5	RETAINER

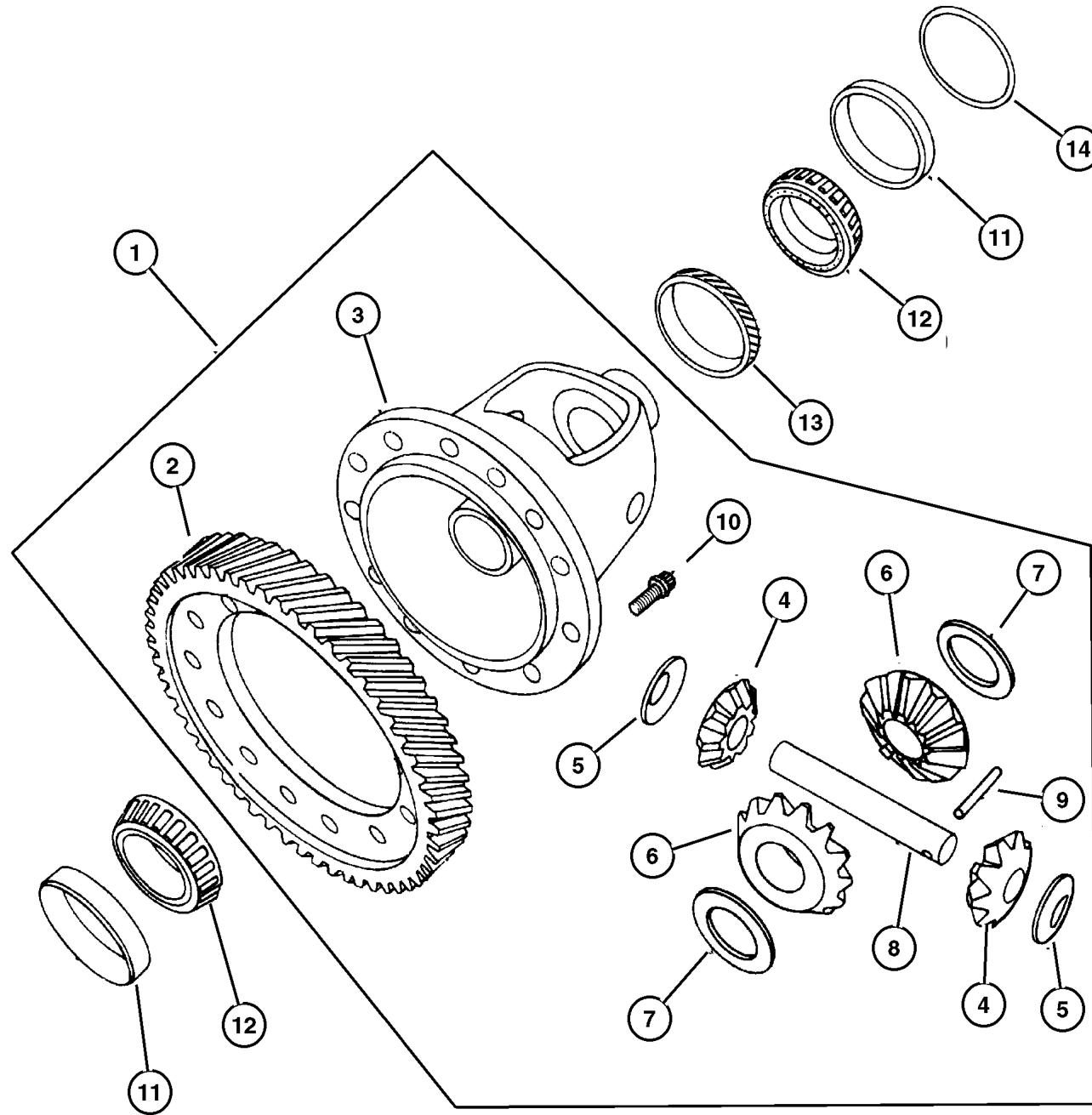
DODGE - CHRYSLER NEON (PL)

SERIES	LINE	BODY	ENGINE	TRANSMISSION
L=Low Line	Z=Chrysler, RHD	41 = 4 Door,	ECB,EC0=2.0L 4 Cyl., 16V SMPI	DD5=5 Speed Manual
H=High Line	D=Dodge	104WB	ECH,EC0=2.0L 4 Cyl, 16V SOHC	DGC=3 Speed Automatic
	D=Chrysler		EJD,EJ0=1.6L 4 Cyl 16V, SOHC	DGL=4 Speed Automatic
	P=Plymouth		EBD,EB0=1.8L 4 Cyl 16V SEF	DG0=All Automatics
				DBB=All 5 Speed Manual

AR = Use as required - = Non illustrated part # = New this model year

May 2, 2002

Differential, [DD5]
Figure A578-810



ITEM	PART NUMBER	QTY	LINE	SERIES	ENGINE	TRANS	DESCRIPTION
Note; Sales Codes n key.							
[DD5]= 5 Speed Manual Transmissions n key.							
[EBD]= 1.8L 4 Cylinder Single Overhead Cam 16 Valve Engines n key.							
[ECB]= 2.0L 4 Cylinder Single Overhead Cam 16 Valve Engines n key.							
[ECH]= 2.0L 4 Cylinder Single Overhead Cam 16 Valve Hi Performance Engines n key.							
1	4856 348	1			ECB	DD5	DIFFERENTIAL, Transaxle
	4856 349	1			EBD, ECH	DD5	
2	4761 103	1			EBD, ECH	DD5	GEAR, Differential Ring
	4761 104	1			ECB	DD5	
3	4761 102	1			ECB	DD5	CASE, Differential
		1			EBD, ECH	DD5	
4	4348 679	2			EBD, ECH	DD5	PINION, Differential
		2			ECB	DD5	
5	4137 024	2			EBD, ECH	DD5	WASHER, Pinion Thrust
		2			ECB	DD5	
6	4659 502	2			EBD, ECH	DD5	GEAR, Differential Side
		2			ECB	DD5	
7	4504 568	1			ECB	DD5	WASHER PACKAGE, Side Gear Thrust
		1			EBD, ECH	DD5	
8	4659 142	1			EBD, ECH	DD5	SHAFT, Pinion Gear
		1			ECB	DD5	
9	6503 827	1			EBD, ECH	DD5	PIN, Pinion Shaft
		1			ECB	DD5	
10							BOLT, Differential Ring Gear

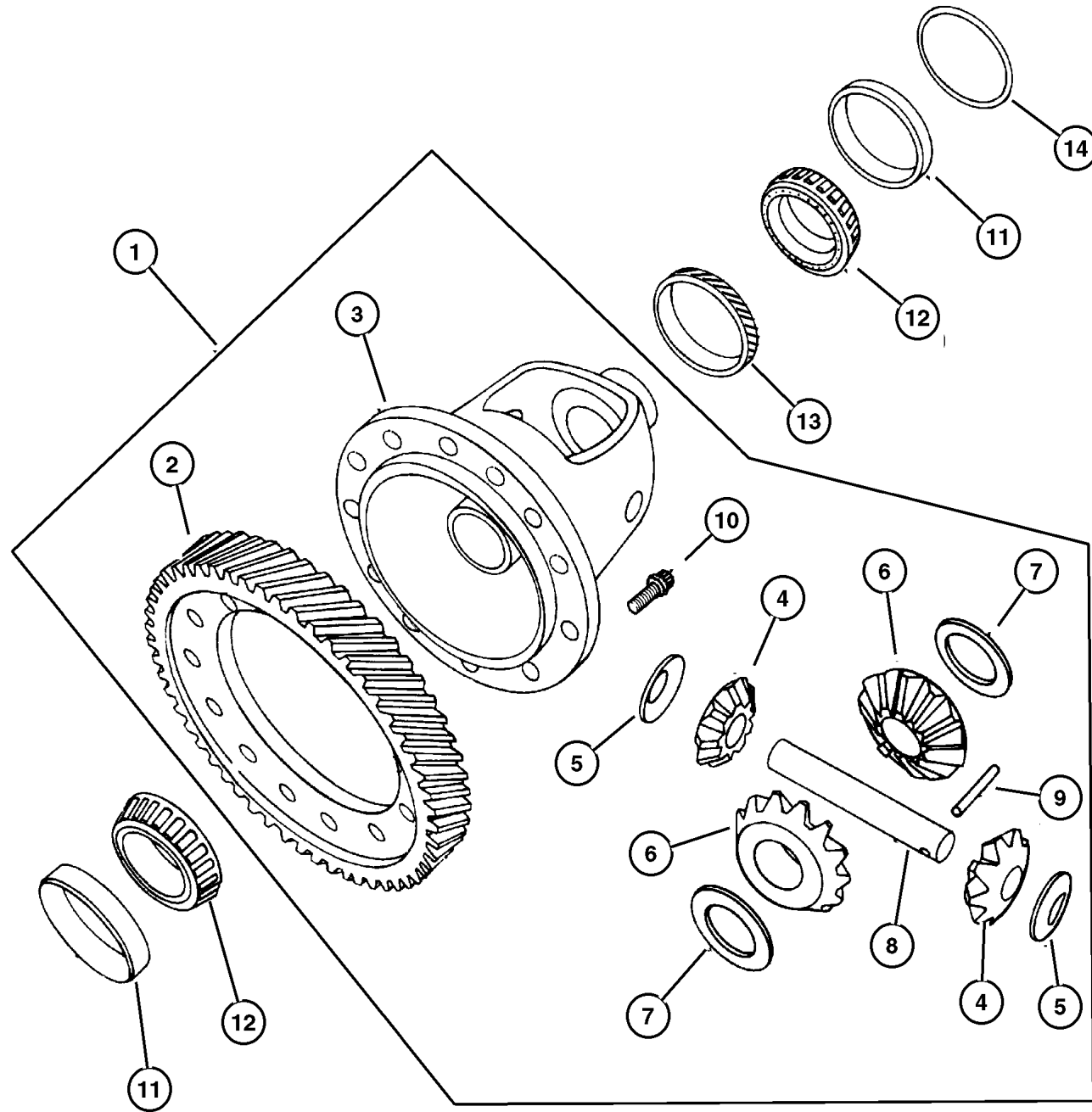
DODGE - CHRYSLER NEON (PL)

SERIES	LINE	BODY	ENGINE	TRANSMISSION
L=Low Line	Z=Chrysler, RHD	41 = 4 Door,	ECB,EC0=2.0L 4 Cyl., 16V SMPI	DD5=5 Speed Manual
H=High Line	D=Dodge	104WB	ECH,EC0=2.0L 4 Cyl, 16V SOHC	DGC=3 Speed Automatic
	D=Chrysler		EJD,EJ0=1.6L 4 Cyl 16V, SOHC	DGL=4 Speed Automatic
	P=Plymouth		EBD,EB0=1.8L 4 Cyl 16V SEF	DG0=All Automatics
				DBB=All 5 Speed Manual

AR = Use as required - = Non illustrated part # = New this model year

May 2, 2002

Differential, [DD5]
Figure A578-810



ITEM	PART NUMBER	QTY	LINE	SERIES	ENGINE	TRANS	DESCRIPTION
	5017 180AA	12			ECB	DD5	
		12			EBD, ECH	DD5	
11	4567 022	1			ECB	DD5	BEARING CUP, Differential
		1			EBD, ECH	DD5	
12	4567 025AB	2			ECB	DD5	BEARING CONE, Differential
		2			EBD, ECH	DD5	
13	4797 316	1			ECB	DD5	GEAR, Speedometer Drive
		1			EBD, ECH	DD5	
14	4883 546AA	1			ECB	DD5	SHIM, Final Drive, .42mm
		1			EBD, ECH	DD5	
-15	4883 545AA	1			ECB	DD5	SHIM, Final Drive, .46mm
		1			EBD, ECH	DD5	
-16	5222 345	1			ECB	DD5	SHIM, Final Drive, .50mm
		1			EBD, ECH	DD5	
-17	5222 346	1			ECB	DD5	SHIM, Final Drive, .54mm
		1			EBD, ECH	DD5	
-18	5222 347	1			ECB	DD5	SHIM, Final Drive, .58mm
		1			EBD, ECH	DD5	
-19	5222 348	1			ECB	DD5	SHIM, Final Drive, .62mm
		1			EBD, ECH	DD5	
-20	5222 349	1			ECB	DD5	SHIM, Final Drive, .66mm

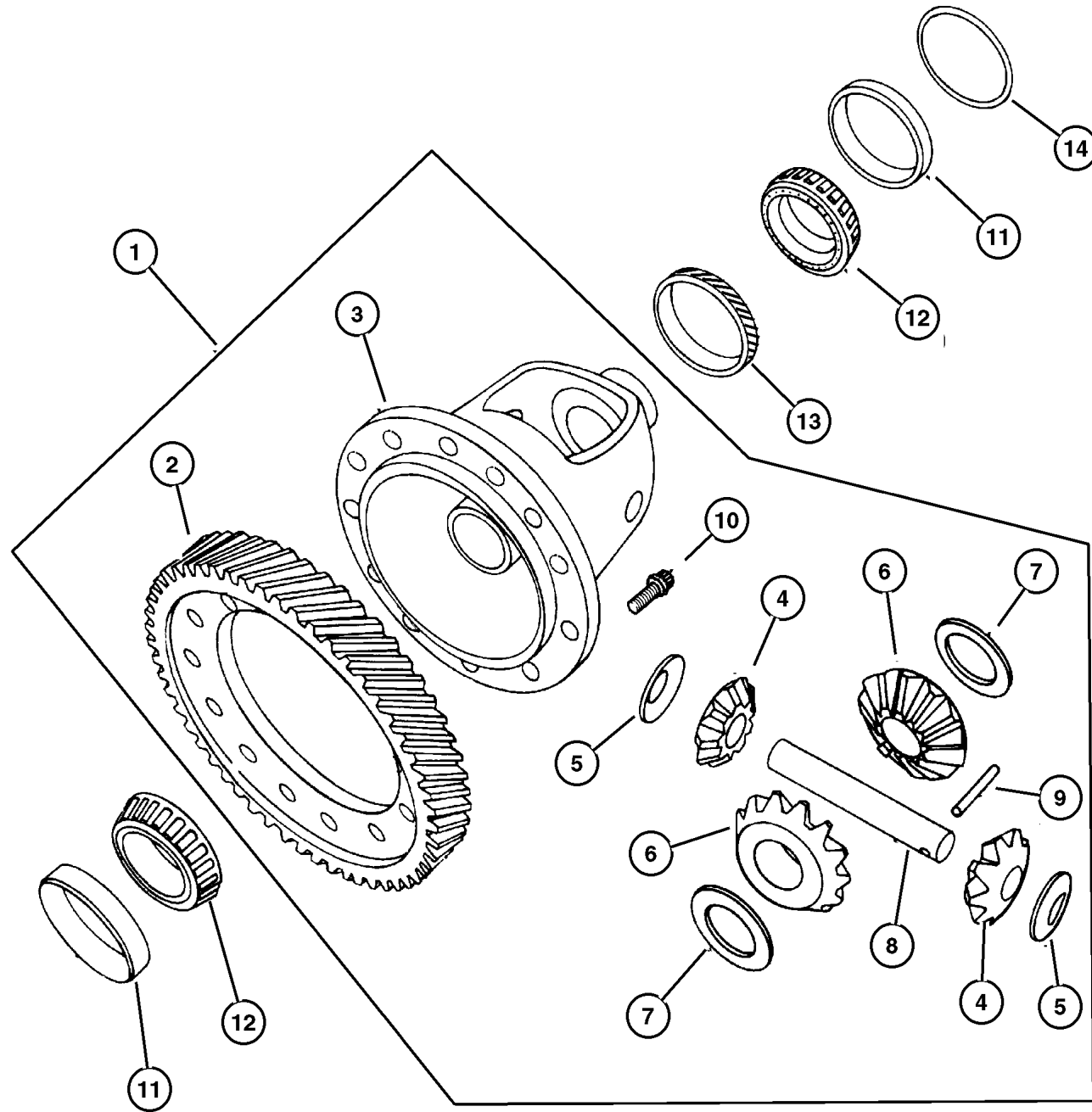
DODGE - CHRYSLER NEON (PL)

SERIES	LINE	BODY	ENGINE	TRANSMISSION
L=Low Line	Z=Chrysler, RHD	41 = 4 Door,	ECB,EC0=2.0L 4 Cyl., 16V SMPI	DD5=5 Speed Manual
H=High Line	D=Dodge	104WB	ECH,EC0=2.0L 4 Cyl, 16V SOHC	DGC=3 Speed Automatic
	D=Chrysler		EJD,EJ0=1.6L 4 Cyl 16V, SOHC	DGL=4 Speed Automatic
	P=Plymouth		EBD,EB0=1.8L 4 Cyl 16V SEF	DG0=All Automatics
				DBB=All 5 Speed Manual

AR = Use as required - = Non illustrated part # = New this model year

May 2, 2002

Differential, [DD5]
Figure A578-810



ITEM	PART NUMBER	QTY	LINE	SERIES	ENGINE	TRANS	DESCRIPTION
		1			EBD, DD5		
-21	5222 350	1			ECH		SHIM, Final Drive, .70mm
		1			ECB DD5		
		1			EBD, DD5		
-22	5222 352	1			ECH		SHIM, Final Drive, .78mm
		1			ECB DD5		
		1			EBD, DD5		
-23	5222 353	1			ECH		SHIM, Final Drive, .82mm
		1			ECB DD5		
		1			EBD, DD5		
-24	5222 355	1			ECH		SHIM, Final Drive, .90mm
		1			ECB DD5		
		1			EBD, DD5		
-25	5222 356	1			ECH		SHIM, Final Drive, .94mm
		1			ECB DD5		
		1			EBD, DD5		
-26	5222 358	1			ECH		SHIM, Final Drive, 1.02mm
		1			ECB DD5		
		1			EBD, DD5		
-27	5222 359	1			ECH		SHIM, Final Drive, 1.06mm
		1			ECB DD5		
		1			EBD, DD5		
-28	5222 362	1			ECH		SHIM, Final Drive, 1.18mm
		1			ECB DD5		
		1			EBD, DD5		
-29	5222 364	1			ECH		SHIM, Final Drive, 1.26mm
		1			ECB DD5		
		1			EBD, DD5		
-30	5222 365	1			ECH		SHIM, Final Drive, 1.30mm
		1			ECB DD5		
		1			EBD, DD5		
-31					ECH		SHIM, Final Drive, 1.38mm

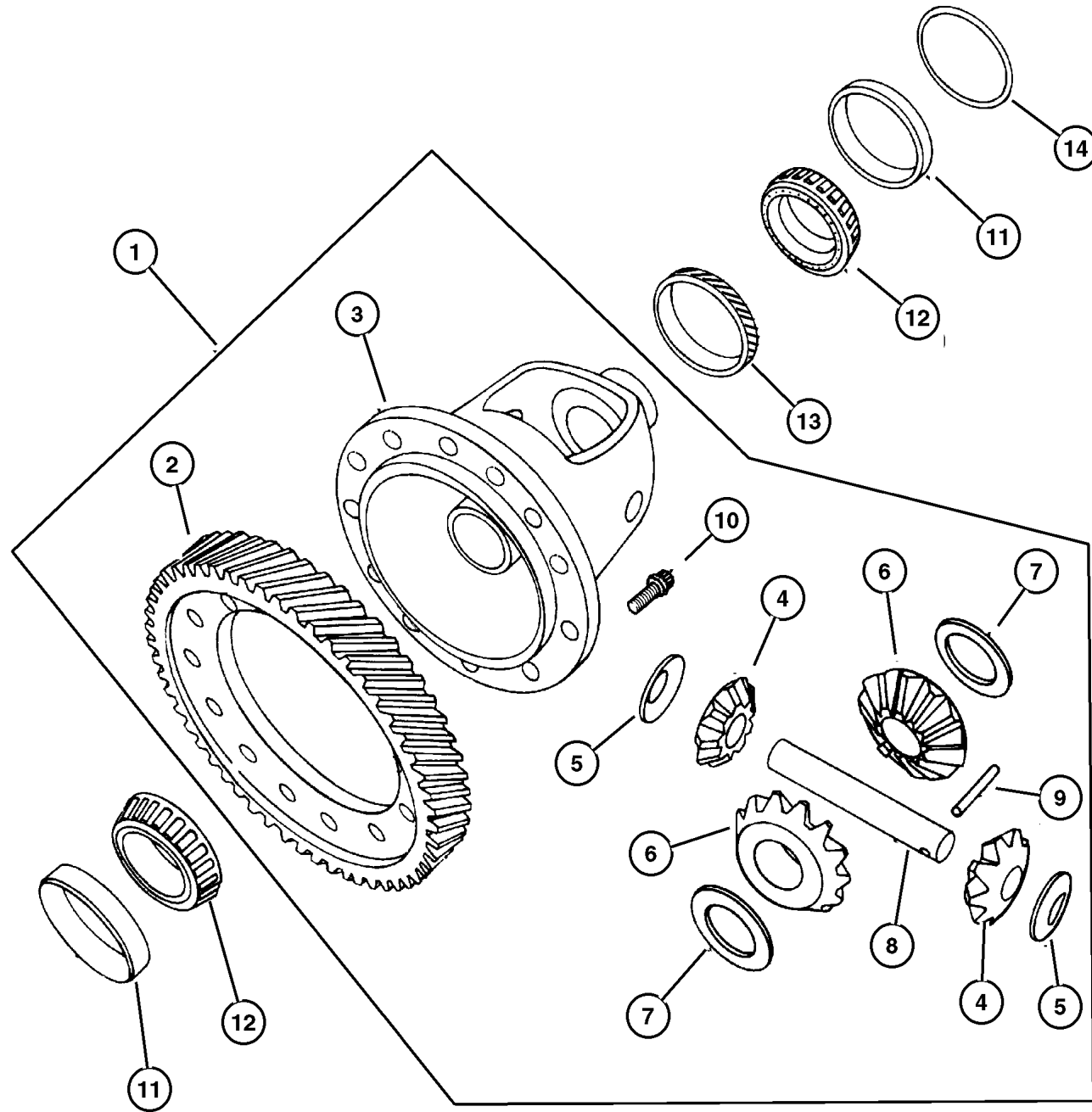
DODGE - CHRYSLER NEON (PL)

SERIES	LINE	BODY	ENGINE	TRANSMISSION
L=Low Line	Z=Chrysler, RHD	41 = 4 Door,	ECB,EC0=2.0L 4 Cyl., 16V SMPI	DD5=5 Speed Manual
H=High Line	D=Dodge	104WB	ECH,EC0=2.0L 4 Cyl, 16V SOHC	DGC=3 Speed Automatic
	D=Chrysler		EJD,EJ0=1.6L 4 Cyl 16V, SOHC	DGL=4 Speed Automatic
	P=Plymouth		EBD,EB0=1.8L 4 Cyl 16V SEF	DG0=All Automatics
				DBB=All 5 Speed Manual

AR = Use as required - = Non illustrated part # = New this model year

May 2, 2002

Differential, [DD5]
Figure A578-810



ITEM	PART NUMBER	QTY	LINE	SERIES	ENGINE	TRANS	DESCRIPTION
	5222 367	1			ECB	DD5	
		1			EBD, ECH	DD5	
-32							SHIM, Final Drive, 1.42mm
	5222 368	1			ECB	DD5	
		1			EBD, ECH	DD5	

DODGE - CHRYSLER NEON (PL)				
SERIES	LINE	BODY	ENGINE	TRANSMISSION
L=Low Line	Z=Chrysler, RHD	41 = 4 Door,	ECB,EC0=2.0L 4 Cyl., 16V SMPI	DD5=5 Speed Manual
H=High Line	D=Dodge	104WB	ECH,EC0=2.0L 4 Cyl, 16V SOHC	DGC=3 Speed Automatic
	D=Chrysler		EJD,EJ0=1.6L 4 Cyl 16V, SOHC	DGL=4 Speed Automatic
	P=Plymouth		EBD,EB0=1.8L 4 Cyl 16V SEF	DG0=All Automatics
				DBB=All 5 Speed Manual

AR = Use as required - = Non illustrated part # = New this model year

May 2, 2002

Fork And Rail, [DD5]
Figure A578-910

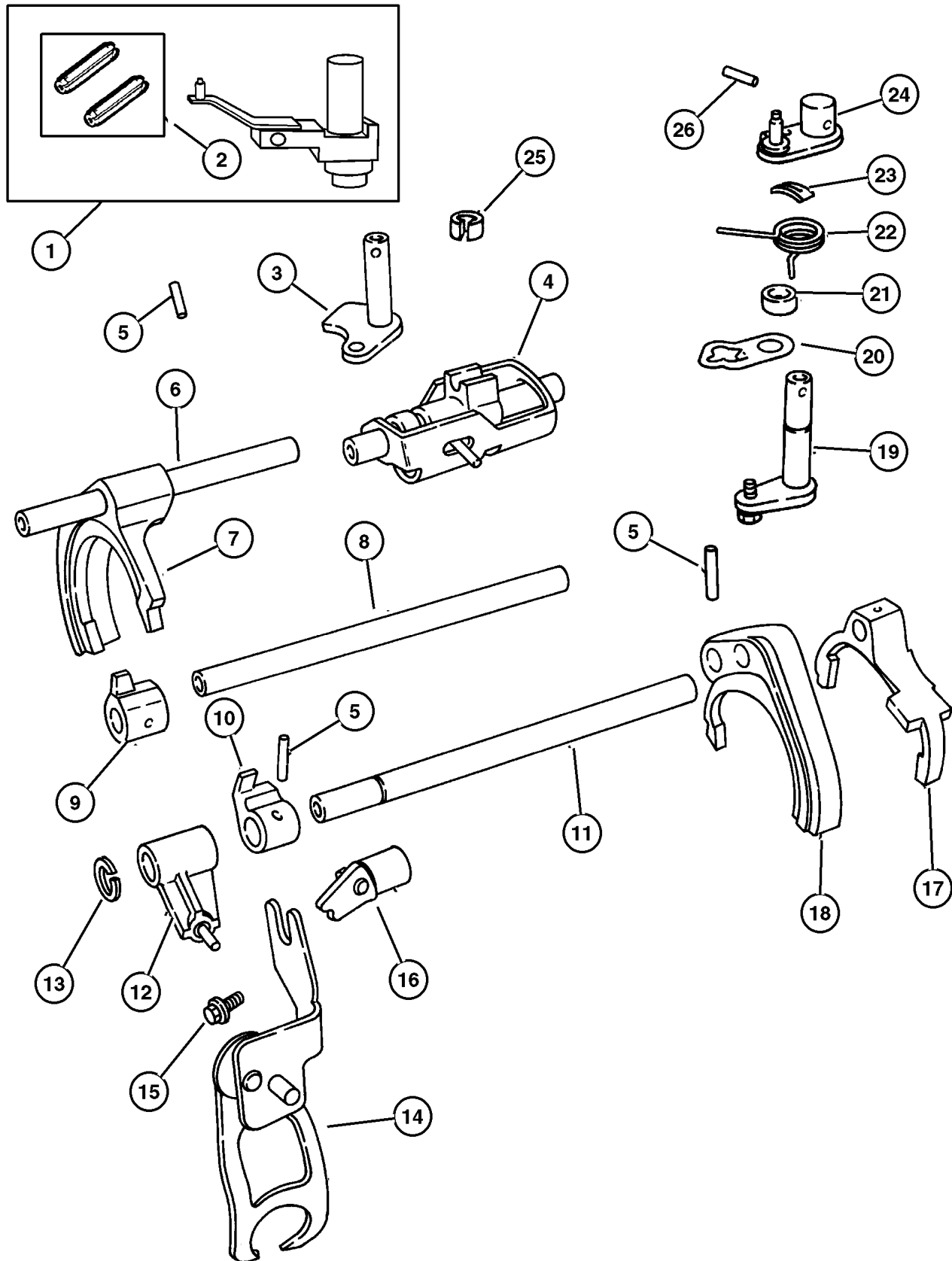
ITEM	PART NUMBER	QTY	LINE	SERIES	ENGINE	TRANS	DESCRIPTION
Note; Sales Codes n key.							
[DD5]= 5 Speed Manual Transmissions n key.							
[EBD]= 1.8L 4 Cylinder Single Overhead Cam 16 Valve Engines n key.							
[ECB]= 2.0L 4 Cylinder Single Overhead Cam 16 Valve Engines n key.							
[ECH]= 2.0L 4 Cylinder Single Overhead Cam 16 Valve Hi Performance Engines n key.							
1							LEVER PACKAGE, Gearshift
	5014 465AA	1			ECB	DD5	
		1			EBD,	DD5	
					ECH		
2							PIN, Shift Shaft
	4762 603	1			ECB	DD5	
		1			EBD,	DD5	
					ECH		
3							SHAFT, Detent
	4773 411	1			ECB	DD5	
		1			EBD,	DD5	
					ECH		
4							BLOCKER, Shift
	4761 146	1			ECB	DD5	
		1			EBD,	DD5	
					ECH		
5							PIN
	6101 475	1			ECB	DD5	
		1			EBD,	DD5	
					ECH		
6							RAIL, First and Second Shift
	4761 176	1			ECB	DD5	
		1			EBD,	DD5	
					ECH		
7							FORK, Transmission
	4796 649	1			ECB	DD5	
		1			EBD,	DD5	
					ECH		
8							RAIL, Third and Fourth Shift
	5014 862AA	1			ECB	DD5	
		1			EBD,	DD5	
					ECH		
9							LUG, Third and Fourth Shift
	4761 179	1			ECB	DD5	
		1			EBD,	DD5	
					ECH		
10							LUG, Fifth and Reverse

DODGE - CHRYSLER NEON (PL)

SERIES	LINE	BODY	ENGINE	TRANSMISSION
L=Low Line	Z=Chrysler, RHD	41 = 4 Door,	ECB,EC0=2.0L 4 Cyl., 16V SMPI	DD5=5 Speed Manual
H=High Line	D=Dodge	104WB	ECH,EC0=2.0L 4 Cyl, 16V SOHC	DGC=3 Speed Automatic
	D=Chrysler		EJD,EJ0=1.6L 4 Cyl 16V, SOHC	DGL=4 Speed Automatic
	P=Plymouth		EBD,EB0=1.8L 4 Cyl 16V SEF	DG0=All Automatics
				DBB=All 5 Speed Manual

AR = Use as required - = Non illustrated part # = New this model year

May 2, 2002



Fork And Rail, [DD5]
Figure A578-910

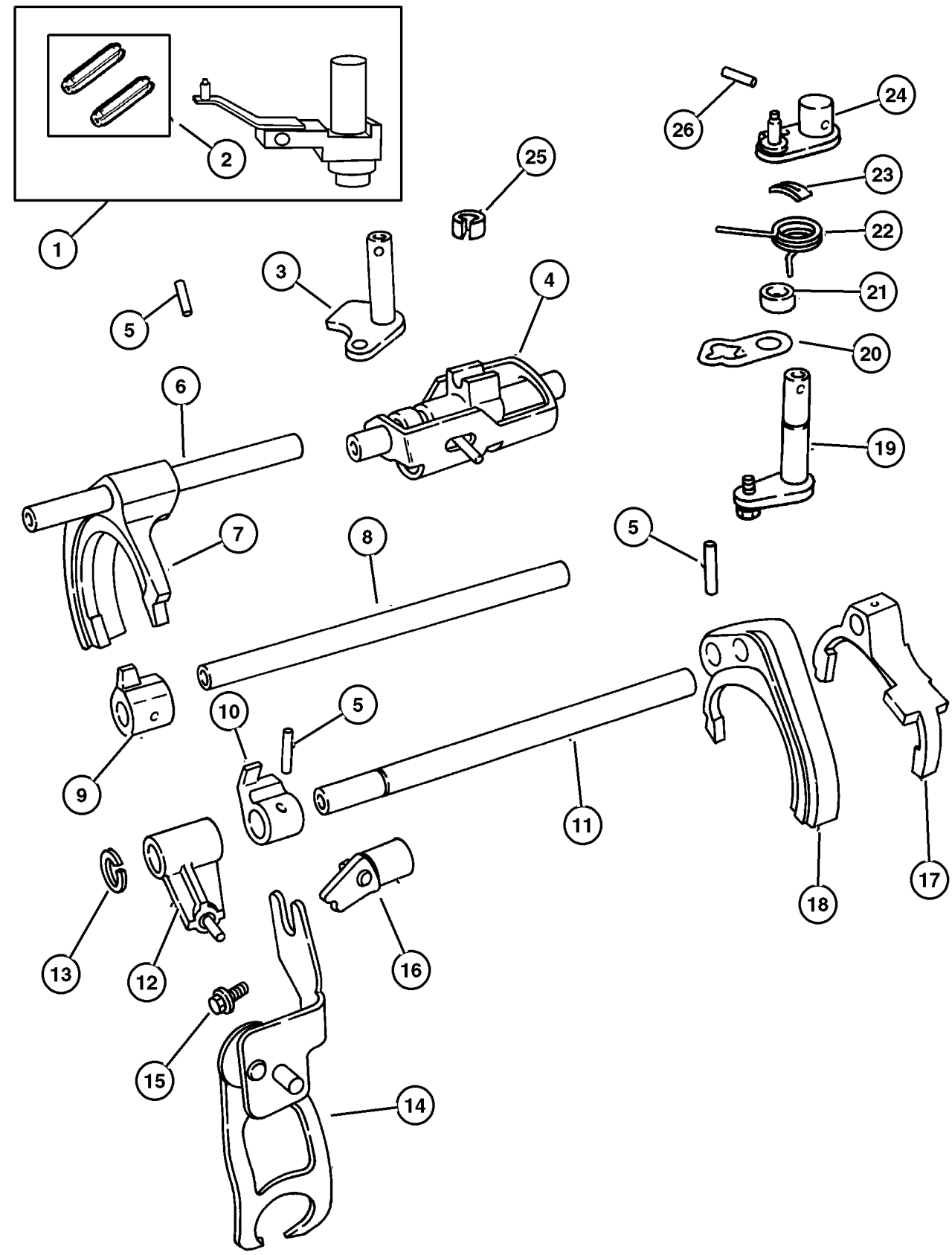
ITEM	PART NUMBER	QTY	LINE	SERIES	ENGINE	TRANS	DESCRIPTION
	4761 181	1			ECB	DD5	
		1			EBD, ECH	DD5	
11	4761 180	1			ECB	DD5	RAIL, Fifth and Reverse Shift
		1			EBD, ECH	DD5	
12	4761 182	1			ECB	DD5	ARM, Reverse Lever
		1			EBD, ECH	DD5	
13	6501 862	1			ECB	DD5	SNAP RING
		1			EBD, ECH	DD5	
14	4761 152	1			ECB	DD5	BRACKET, Reverse Shift Rod
		1			EBD, ECH	DD5	
15	4761 153	2			ECB	DD5	SCREW, Reverse Bracket
		2			EBD, ECH	DD5	
16	4761 154	1			ECB	DD5	CAM, Reverse Block
		1			EBD, ECH	DD5	
17	4874 137	1			ECB	DD5	FORK, Transmission
		1			EBD, ECH	DD5	
18	4796 650	1			EBD, ECH	DD5	FORK, Transmission
		1			ECB	DD5	
19	4761 147	1			ECB	DD5	LEVER, Crossover
		1			EBD, ECH	DD5	
20	4761 148	1			ECB	DD5	PLATE, Crossover Stop

DODGE - CHRYSLER NEON (PL)

SERIES	LINE	BODY	ENGINE	TRANSMISSION
L=Low Line	Z=Chrysler, RHD	41 = 4 Door,	ECB,EC0=2.0L 4 Cyl., 16V SMPI	DD5=5 Speed Manual
H=High Line	D=Dodge	104WB	ECH,EC0=2.0L 4 Cyl, 16V SOHC	DGC=3 Speed Automatic
	D=Chrysler		EJD,EJ0=1.6L 4 Cyl 16V, SOHC	DGL=4 Speed Automatic
	P=Plymouth		EBD,EB0=1.8L 4 Cyl 16V SEF	DG0=All Automatics
				DBB=All 5 Speed Manual

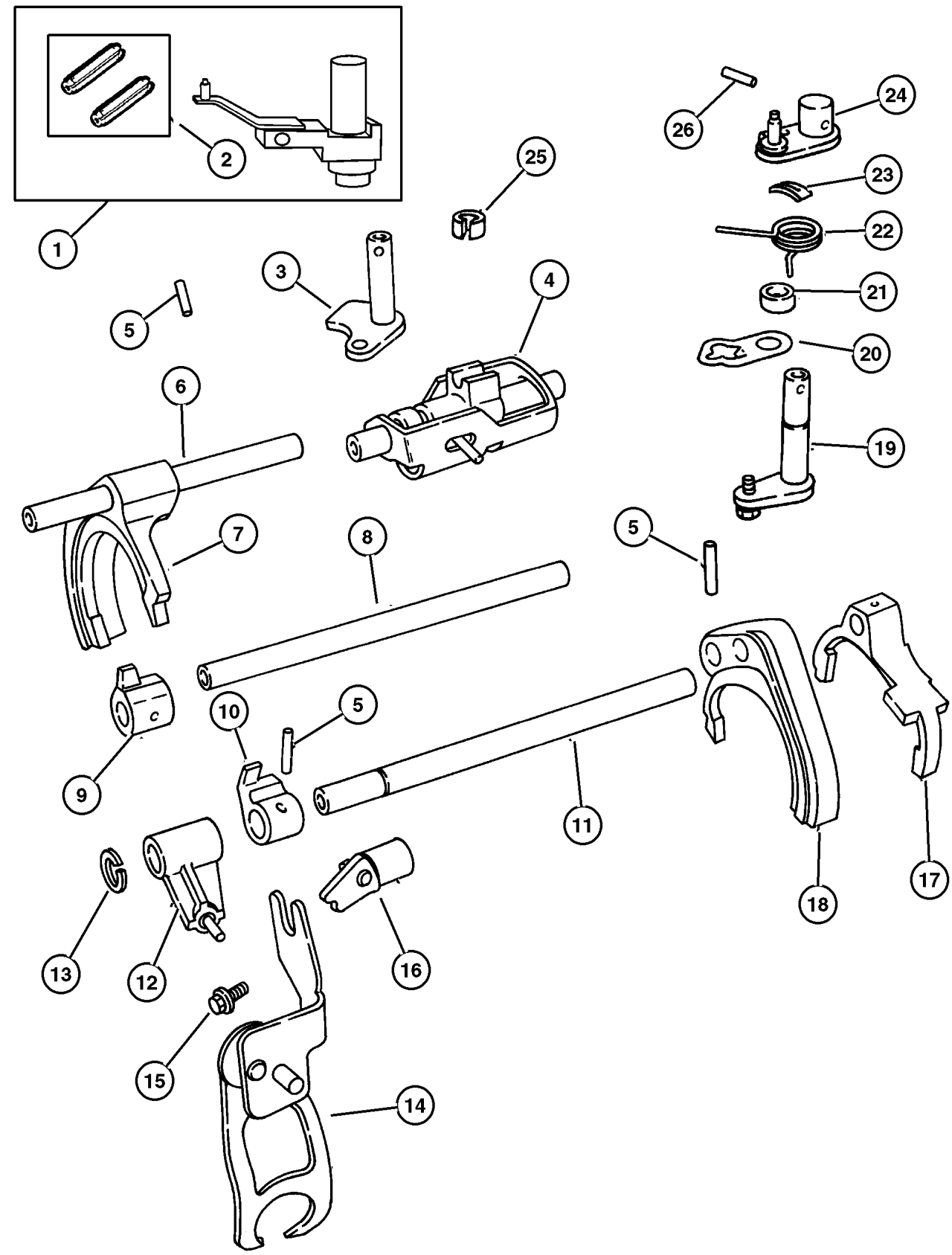
AR = Use as required - = Non illustrated part # = New this model year

May 2, 2002



Fork And Rail, [DD5]
Figure A578-910

ITEM	PART NUMBER	QTY	LINE	SERIES	ENGINE	TRANS	DESCRIPTION
		1			EBD, ECH	DD5	
21	4761 151	1			ECB, EBD, ECH	DD5	SPACER, Inner Crossover Lever
22	4761 149	1			ECB, EBD, ECH	DD5	SPRING, Crossover Lever
23	4761 150	1			ECB, EBD, ECH	DD5	RETAINER, Spring
24	4761 147	1			ECB, EBD, ECH	DD5	LEVER, Crossover
25	4761 158	1			ECB, EBD, ECH	DD5	CLIP, Detent Shaft
26	4762 603	1			ECB, EBD, ECH	DD5	PIN, Shift Shaft



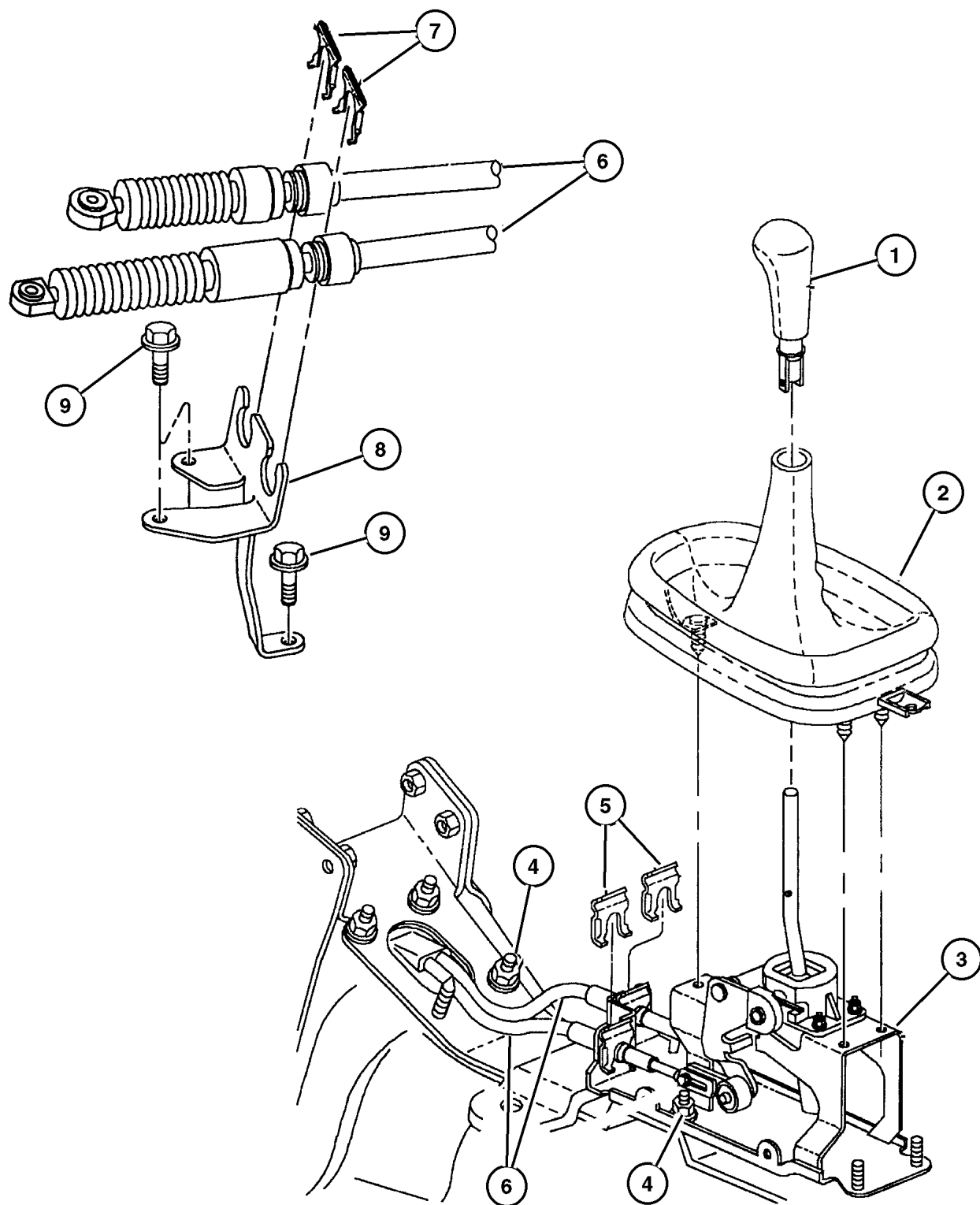
DODGE - CHRYSLER NEON (PL)

SERIES	LINE	BODY	ENGINE	TRANSMISSION
L=Low Line	Z=Chrysler, RHD	41 = 4 Door,	ECB,EC0=2.0L 4 Cyl., 16V SMPI	DD5=5 Speed Manual
H=High Line	D=Dodge	104WB	ECH,EC0=2.0L 4 Cyl, 16V SOHC	DGC=3 Speed Automatic
	D=Chrysler		EJD,EJ0=1.6L 4 Cyl 16V, SOHC	DGL=4 Speed Automatic
	P=Plymouth		EBD,EB0=1.8L 4 Cyl 16V SEF	DG0=All Automatics
				DBB=All 5 Speed Manual

AR = Use as required - = Non illustrated part # = New this model year

May 2, 2002

**Controls, Gearshift, [DD5]
Figure A578-1210**



ITEM	PART NUMBER	QTY	LINE	SERIES	ENGINE	TRANS	DESCRIPTION
Note; Sales Codes n key.							
[DD5]= 5 Speed Manual Transmissions n key.							
[ECB]= 2.0L 4 Cylinder Single Overhead Cam 16 Valve Engines n key.							
1							KNOB, Gearshift
	4668 267	1				DD5	w/o Leather Wrap
	4668 269	1				DD5	w/Leather Wrap
2							BOOT, Gearshift
	4668 260AB	1				DD5	w/o Leather Wrap
	4668 590AA	1				DD5	w/Leather Wrap
3	4668 261AC	1				DD5	SHIFTER, Transmission
4	6100 048	1					NUT, Hex, M6x1.00
5	6501 326	2				DD5	CLIP, Moulding
6	4668 268	1				DD5	CABLE, Gearshift Control
7	4269 830	2				DD5	CLIP, Cable
8	4668 315AB	1				DD5	BRACKET, Transmission Control Cable
9	6100 296	2			ECB		BOLT, Hex Head

DODGE - CHRYSLER NEON (PL)				
SERIES	LINE	BODY	ENGINE	TRANSMISSION
L=Low Line	Z=Chrysler, RHD	41 = 4 Door,	ECB,EC0=2.0L 4 Cyl., 16V SMPI	DD5=5 Speed Manual
H=High Line	D=Dodge	104WB	ECH,EC0=2.0L 4 Cyl, 16V SOHC	DGC=3 Speed Automatic
	D=Chrysler		EJD,EJ0=1.6L 4 Cyl 16V, SOHC	DGL=4 Speed Automatic
	P=Plymouth		EBD,EB0=1.8L 4 Cyl 16V SEF	DG0=All Automatics
				DBB=All 5 Speed Manual

AR = Use as required - = Non illustrated part # = New this model year

May 2, 2002

Group – 21P

Speedometer Pinions

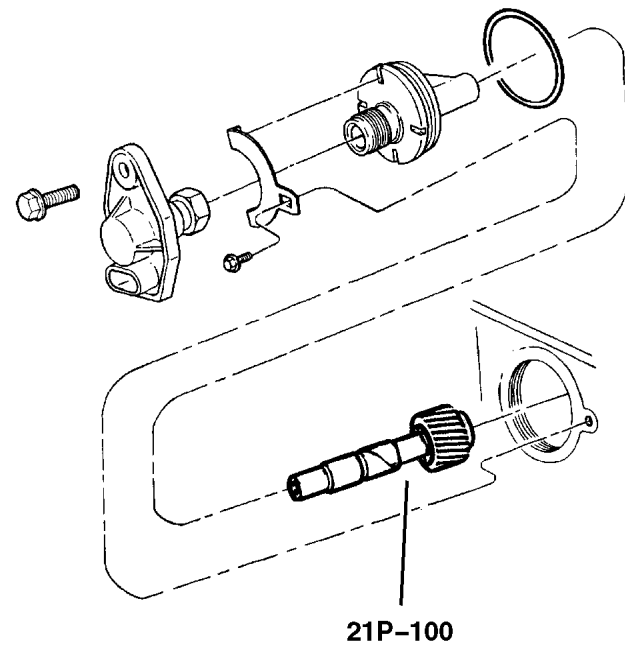
GROUP 21P - Speedometer Pinions

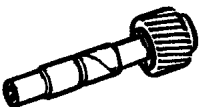
Illustration Title

Group-Fig. No.

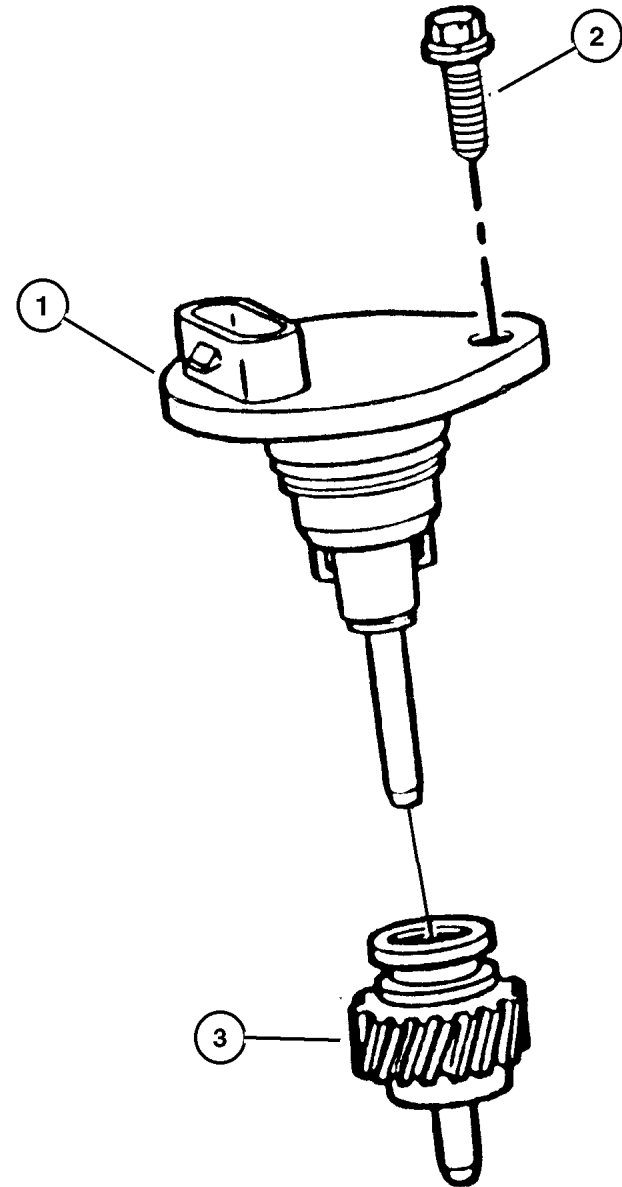
Speedometer Pinions

Pinion, Speedometer, [DD5 - DGC] Fig. 21P-101



<p>21P-100 Speedometer Pinions</p> 			
---	--	--	--

**Pinion, Speedometer, [DD5 - DGC]
Figure 21P-101**



ITEM	PART NUMBER	QTY	LINE	SERIES	ENGINE	TRANS	DESCRIPTION
------	-------------	-----	------	--------	--------	-------	-------------

Note; Sales Codes n key.
[DD5]= 5 Speed Manual Transmissions n key.
[DGC]= 3 Speed Automatic Transmissions n key.

1	4707 839AA	1				DD5, DGC	SENSOR, Vehicle Speed
2	6501 714	1				DD5 DGC	SCREW AND WASHER, Hex Head, M6x1x18
3							PINION, Speedometer Drive, Blue
	4567 881	1				DGC	
	4593 107	1				DD5	
-4	4641 215	1				DD5	PINION, Speedometer Drive, Natural

DODGE - CHRYSLER NEON (PL)

SERIES	LINE	BODY	ENGINE	TRANSMISSION
L=Low Line	Z=Chrysler, RHD	41 = 4 Door,	ECB,EC0=2.0L 4 Cyl., 16V SMPI	DD5=5 Speed Manual
H=High Line	D=Dodge	104WB	ECH,EC0=2.0L 4 Cyl, 16V SOHC	DGC=3 Speed Automatic
	D=Chrysler		EJD,EJ0=1.6L 4 Cyl 16V, SOHC	DGL=4 Speed Automatic
	P=Plymouth		EBD,EB0=1.8L 4 Cyl 16V SEF	DG0=All Automatics
				DBB=All 5 Speed Manual

AR = Use as required - = Non illustrated part # = New this model year

May 2, 2002

Group – 022

Wheels, Covers and Jacks

GROUP 22 - Wheels, Covers and Jacks

Illustration Title

Group-Fig. No.

Wheels and Hardware

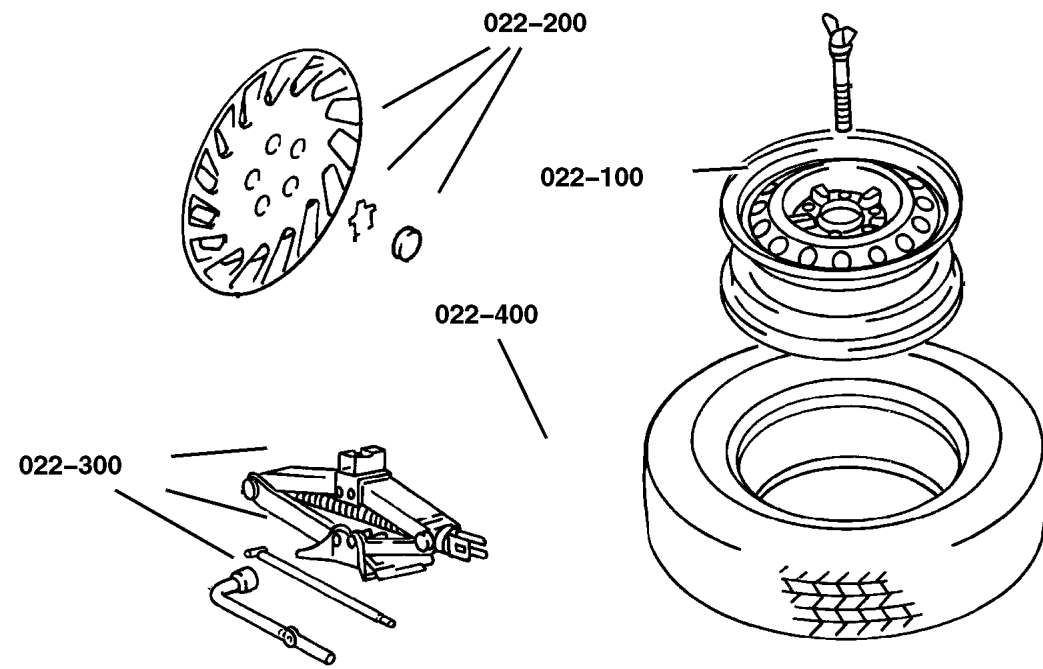
Wheels and Hardware Fig. 022-101


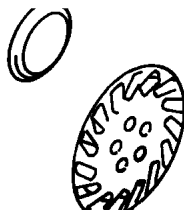
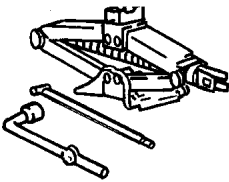
Wheel Covers and Center Caps

Caps and Covers, Wheel Fig. 022-201

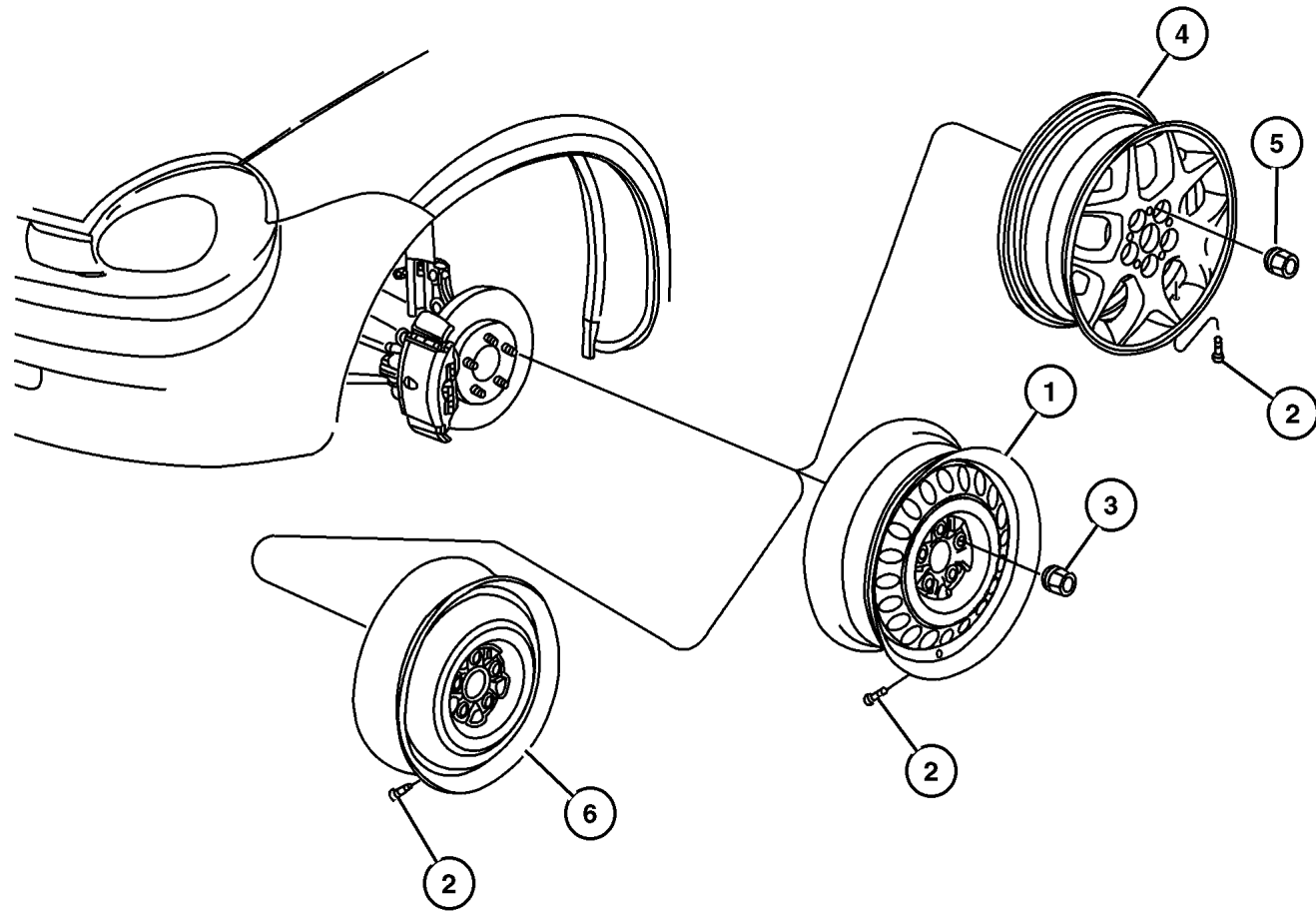
Jack Stowage

Jack and Spare Tire Stowage Fig. 022-301



<p>022-100 Wheels and Hardware</p> 	<p>022-200 Wheel Covers and Center Caps</p> 	<p>022-300 Jack Stowage</p> 	
---	--	---	--

Wheels and Hardware
Figure 022-101



ITEM	PART NUMBER	QTY	LINE	SERIES	BODY	DESCRIPTION
------	-------------	-----	------	--------	------	-------------

NOTE: Sales Codes: n key.

[WBB] = WHEELS - 14 X 5.5 BLACK n key.

[WCF] = WHEELS - 15 X 6.0 BLACK n key.

[WJA] = WHEELS - 15 ALUMINUM n key.

[WNS] = WHEELS - 16 ALUMINUM n key.

[W4U] = WHEEL COVERS - 14 n key.

[W5J] = WHEEL COVERS - 15 n key.

1						WHEEL, Steel
	4656 322	4				15 X 6.0, Black, [WCF]
	4684 697AB	4				14 X 5.5, Black, [WBB]
2	2073 355	5				STEM, Wheel Valve
3	6504 266	20				NUT, Wheel, [W4U,W5J]
4						WHEEL, Aluminum
	QG91 PAK	4				[WJA]
	#SS73 PAKAA	4				[WNS]
	#WF35 DX8AA	4				[WN2]
5	6502 738	20				NUT, Wheel Chrome, M12x1.5, [WJA,WNS,WN2]
6	4656 509AA	1				WHEEL, Aluminum, 14 X 4 Compact Spare

DODGE - CHRYSLER NEON (PL)

SERIES	LINE	BODY	ENGINE	TRANSMISSION
L=Low Line	Z=Chrysler, RHD	41 = 4 Door,	ECB,EC0=2.0L 4 Cyl., 16V SMPI	DD5=5 Speed Manual
H=High Line	D=Dodge	104WB	ECH,EC0=2.0L 4 Cyl, 16V SOHC	DGC=3 Speed Automatic
	D=Chrysler		EJD,EJ0=1.6L 4 Cyl 16V, SOHC	DGL=4 Speed Automatic
	P=Plymouth		EBD,EB0=1.8L 4 Cyl 16V SEF	DG0=All Automatics
				DBB=All 5 Speed Manual

AR = Use as required - = Non illustrated part # = New this model year

May 2, 2002

**Caps and Covers, Wheel
Figure 022-201**

ITEM	PART NUMBER	QTY	LINE	SERIES	BODY	DESCRIPTION
------	-------------	-----	------	--------	------	-------------

NOTE: Sales Codes: n key.

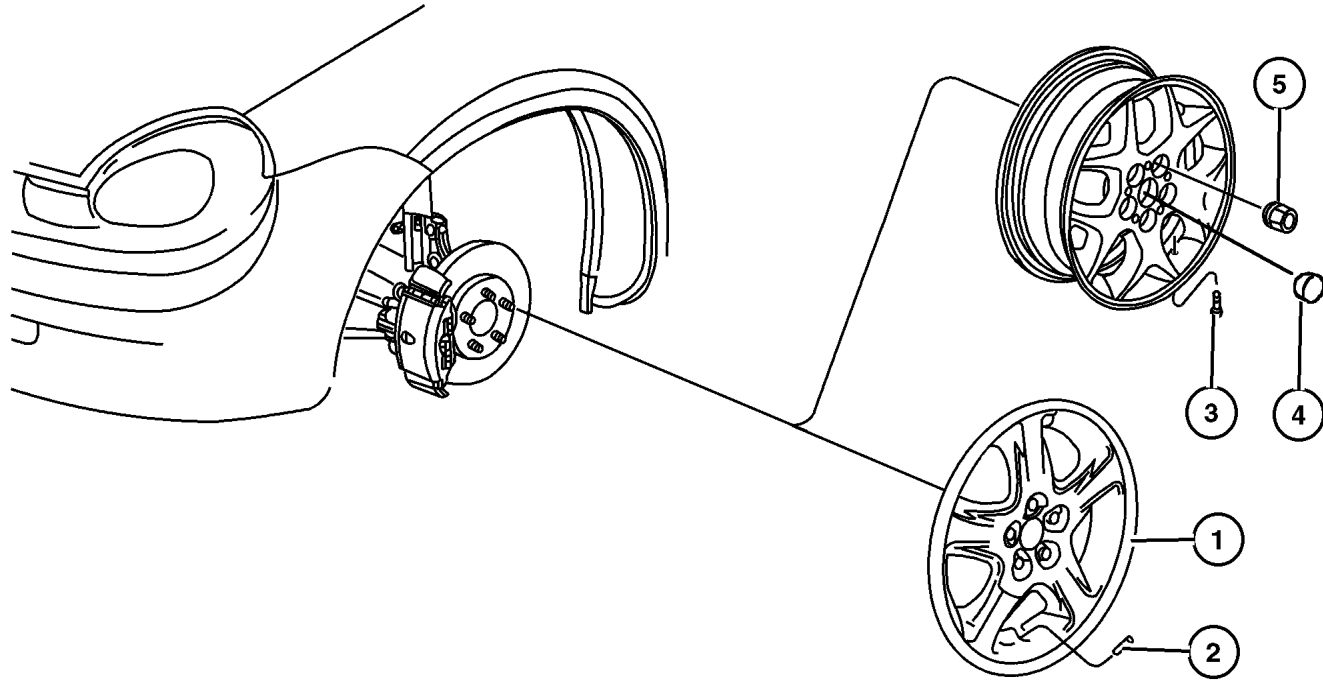
[WJA] = WHEELS - 15 ALUMINUM n key.

[WNS] = WHEELS - 16" ALUMINUM n key.

[W4U] = WHEEL COVERS - 14 n key.

[W5J] = WHEEL COVERS - 15 n key.

1						COVER, Wheel
	4656 191AB	4				[W4U]
	4656 328AB	4				[W5J]
2	#2401 840	4				STEM, Wheel Valve
3	2073 355	5				STEM, Wheel Valve
4						CAP, Wheel Center
	4284 004	4				[WJA,WN2]
	SE30 PAKAA	4				[WNS] EXPORT
	RY51 PAKAA	4				[WNS]
5	6504 266	20				NUT, Wheel, [W4U, W5J]



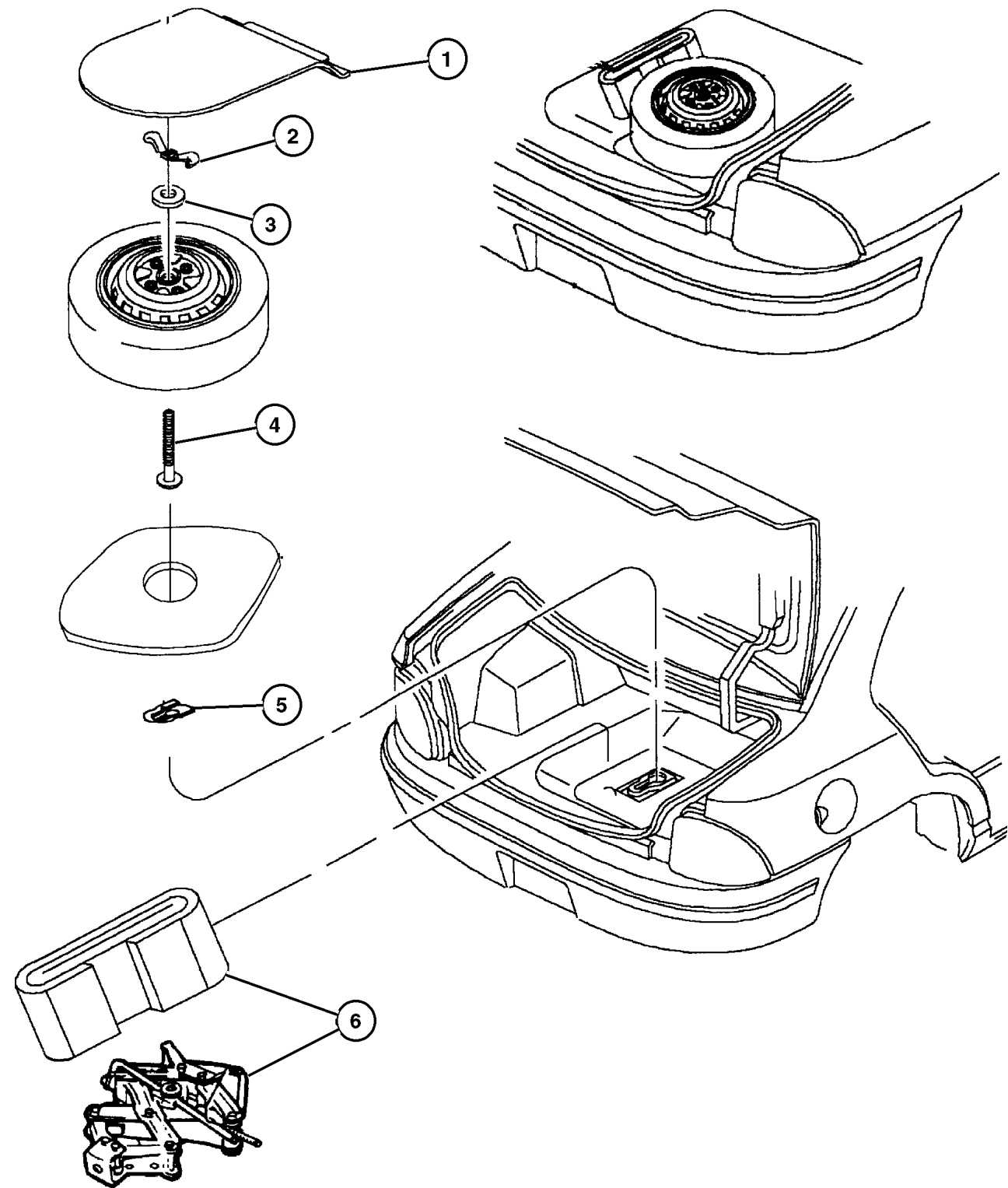
DODGE - CHRYSLER NEON (PL)				
SERIES	LINE	BODY	ENGINE	TRANSMISSION
L=Low Line	Z=Chrysler, RHD	41 = 4 Door,	ECB,EC0=2.0L 4 Cyl., 16V SMPI	DD5=5 Speed Manual
H=High Line	D=Dodge	104WB	ECH,EC0=2.0L 4 Cyl, 16V SOHC	DGC=3 Speed Automatic
	D=Chrysler		EJD,EJ0=1.6L 4 Cyl 16V, SOHC	DGL=4 Speed Automatic
	P=Plymouth		EBD,EB0=1.8L 4 Cyl 16V SEF	DG0=All Automatics
				DBB=All 5 Speed Manual

AR = Use as required - = Non illustrated part # = New this model year

May 2, 2002

Jack and Spare Tire Storage
Figure 022-301

ITEM	PART NUMBER	QTY	LINE	SERIES	BODY	DESCRIPTION
1	QR84 VXLAC	1				COVER, Spare Tire
2	6505 589AA	1				NUT, Wing
3	4371 895	1				PLATE, Spare Tire Cover
4	6506 206AA	1				BOLT, Square Neck, M10x1.50
5	4888 547AB	1				BRACKET, Spare Tire
6	5008 275AA	1				JACK
-7	5008 276AA	1				HANDLE, Jack
-8	5256 549	1				BAG, Jack Tool Storage
-9	4783 862	2				STRAP, Jack Storage
-10						LABEL, Tire Pressure
	4656 589AD	1	Z			EUROPE Bi-Lingual
		1	D, P			Bi-Lingual
	4656 590AB	1	D, P			
	4656 591AD	1	Z			Australia
	4656 592AA	1				French
	4656 594AA	1				French - Competition Pkg.
-11	4103 504	1				LABEL, Jack Caution
-12						LABEL, Jack Instructions
	4783 035AC	1				
	4888 576AB	1	Z			Australia



DODGE - CHRYSLER NEON (PL)				
SERIES	LINE	BODY	ENGINE	TRANSMISSION
L=Low Line	Z=Chrysler, RHD	41 = 4 Door,	ECB,EC0=2.0L 4 Cyl., 16V SMPI	DD5=5 Speed Manual
H=High Line	D=Dodge	104WB	ECH,EC0=2.0L 4 Cyl, 16V SOHC	DGC=3 Speed Automatic
	D=Chrysler		EJD,EJ0=1.6L 4 Cyl 16V, SOHC	DGL=4 Speed Automatic
	P=Plymouth		EBD,EB0=1.8L 4 Cyl 16V SEF	DG0=All Automatics
				DBB=All 5 Speed Manual

AR = Use as required - = Non illustrated part # = New this model year

Group – 23D

Wiper/Lock Cylinder and Keys

GROUP 23D - Wiper/Lock Cylinder and Keys

Illustration Title

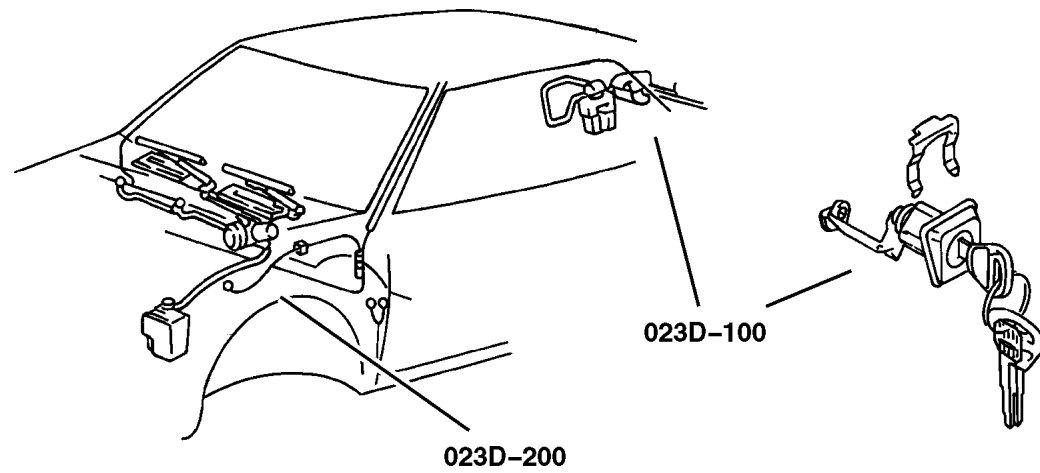
Group-Fig. No.

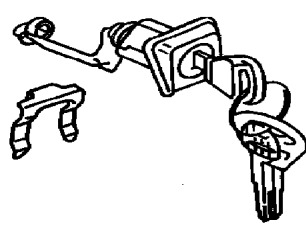
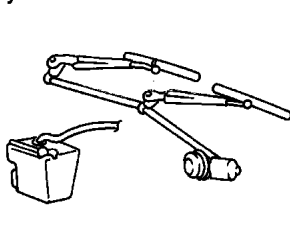
Lock Cylinders and Keys

Lock Cylinder And Keys Fig. 23D-105

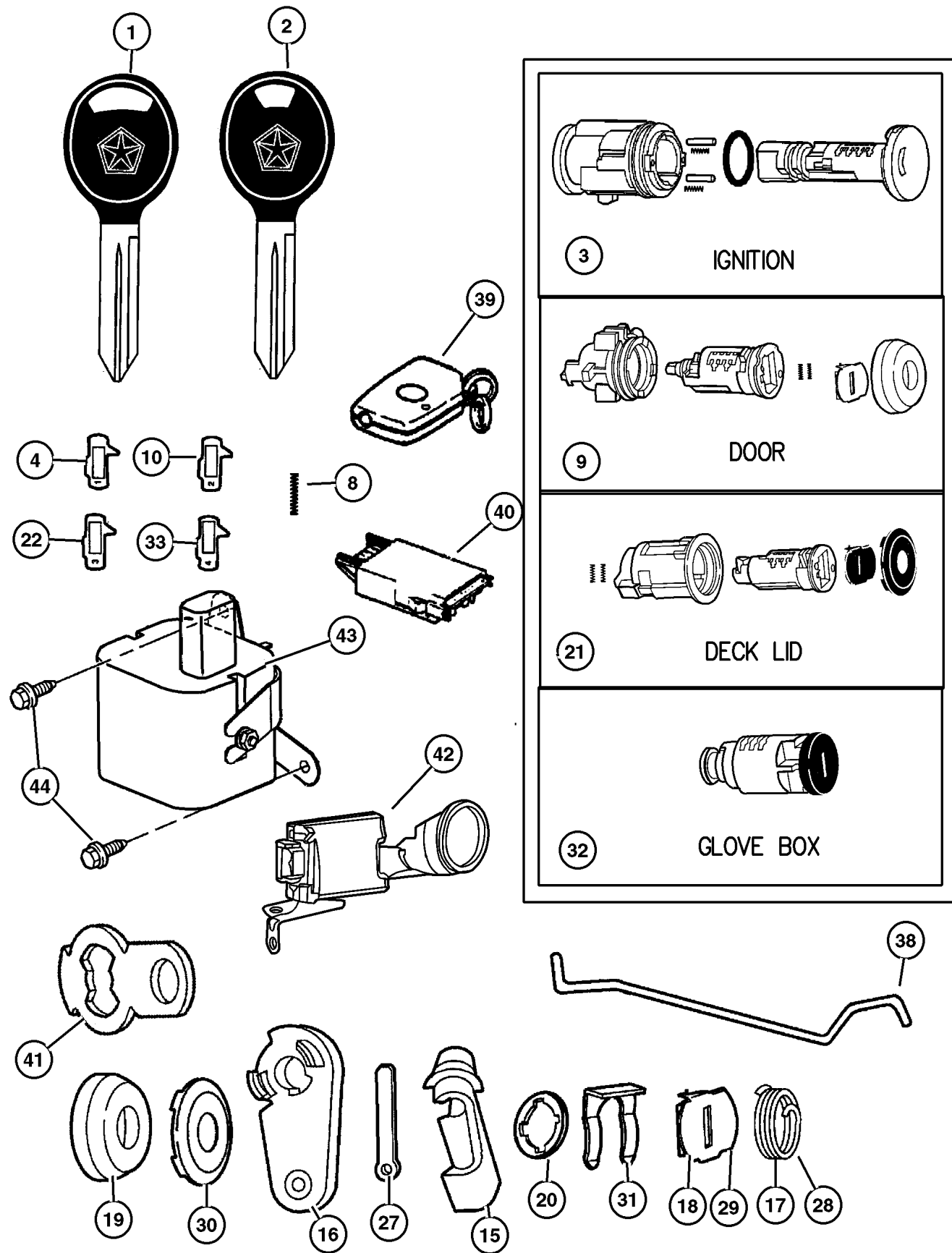
Windshield Wiper and Washer Systems

Windshield Wiper And Washer Fig. 23D-205



<p>23D-100 Lock Cylinders and Keys</p> 	<p>23D-200 Windshield Wiper and Washer Systems</p> 		
---	---	--	--

Lock Cylinder And Keys Figure 23D-105



ITEM	PART NUMBER	QTY	LINE	BODY	DESCRIPTION
1	5018 497AA	2			KEY, Blank, 84 Groove, With Neon Emblem
2	5018 496AA	2			KEY, Master, With Sentry, Neon Emblem
3	5003 843AB	1			CYLINDER, Ignition Lock
4	5010 879AA	1			TUMBLER, Ignition Number 1, Sidebar
-5	5010 880AA	1			TUMBLER, Ignition Number 2, Sidebar
-6	5010 881AA	1			TUMBLER, Ignition Number 3, Sidebar
-7	5010 882AA	1			TUMBLER, Ignition Number 4, Sidebar
8	5010 883AB	1			SPRING, Ignition Tumbler, Sidebar
9	5011 040AA	1			CYLINDER, Door Lock
10	4778 117	1			TUMBLER, Door and Deck Number 1, Wide
-11	4778 118	1			TUMBLER, Door and Deck Number 2, Wide
-12	4778 119	1			TUMBLER, Door and Deck Number 3, Wide
-13	4778 120	1			TUMBLER, Door and Deck Number 4, Wide
-14	4778 121	1			SPRING, Door and Deck Tumbler
15					CLIP, Latch
	4658 444	1			Purple
	4658 445	1			Orange
16	4717 288	1			LEVER, Front Door Cylinder
17	4378 793	1			SPRING, Cylinder Return
18	4778 150	1			SHUTTER, Door, Deck and Liftgate, Bright
19	4778 149	1			CAP, Door Lock Cylinder, Bright
20	5507 4799	1			GASKET, Door Lock Cylinder, Black
21	4778 146AB	1			CYLINDER, Deck Lid Lock
22	4778 117	1			TUMBLER, Door and Deck Number 1, Wide
-23	4778 118	1			TUMBLER, Door and Deck Number 2, Wide
-24	4778 119	1			TUMBLER, Door and Deck Number 3, Wide
-25	4778 120	1			TUMBLER, Door and Deck Number 4, Wide
-26	4778 121	1			SPRING, Door and Deck Tumbler
27	4723 494	1			LEVER, Deck Lid Lock Cylinder
28	5257 245	1			SPRING, Deck Lid Return
29	4778 150	1			SHUTTER, Door, Deck and Liftgate, Bright
30	4778 149	1			CAP, Door Lock Cylinder, Bright
31	2583 377	1			RETAINER, Door Lock Cylinder, Deck Lid Cylinder Only
32	4746 903	1			CYLINDER, Glove Box Lock
33	5257 132	1			TUMBLER, Ignition Number 1
-34	5257 133	1			TUMBLER, Ignition Number 2
-35	5257 134	1			TUMBLER, Ignition Number 3
-36	5257 135	1			TUMBLER, Ignition Number 4
-37	4746 873	1			SPRING, Lock Cylinder Tumbler
38					LINK, Key Cylinder To Latch
	4783 570	1			Right
	4783 571	1			Left
39					TRANSMITTER, Keyless Entry

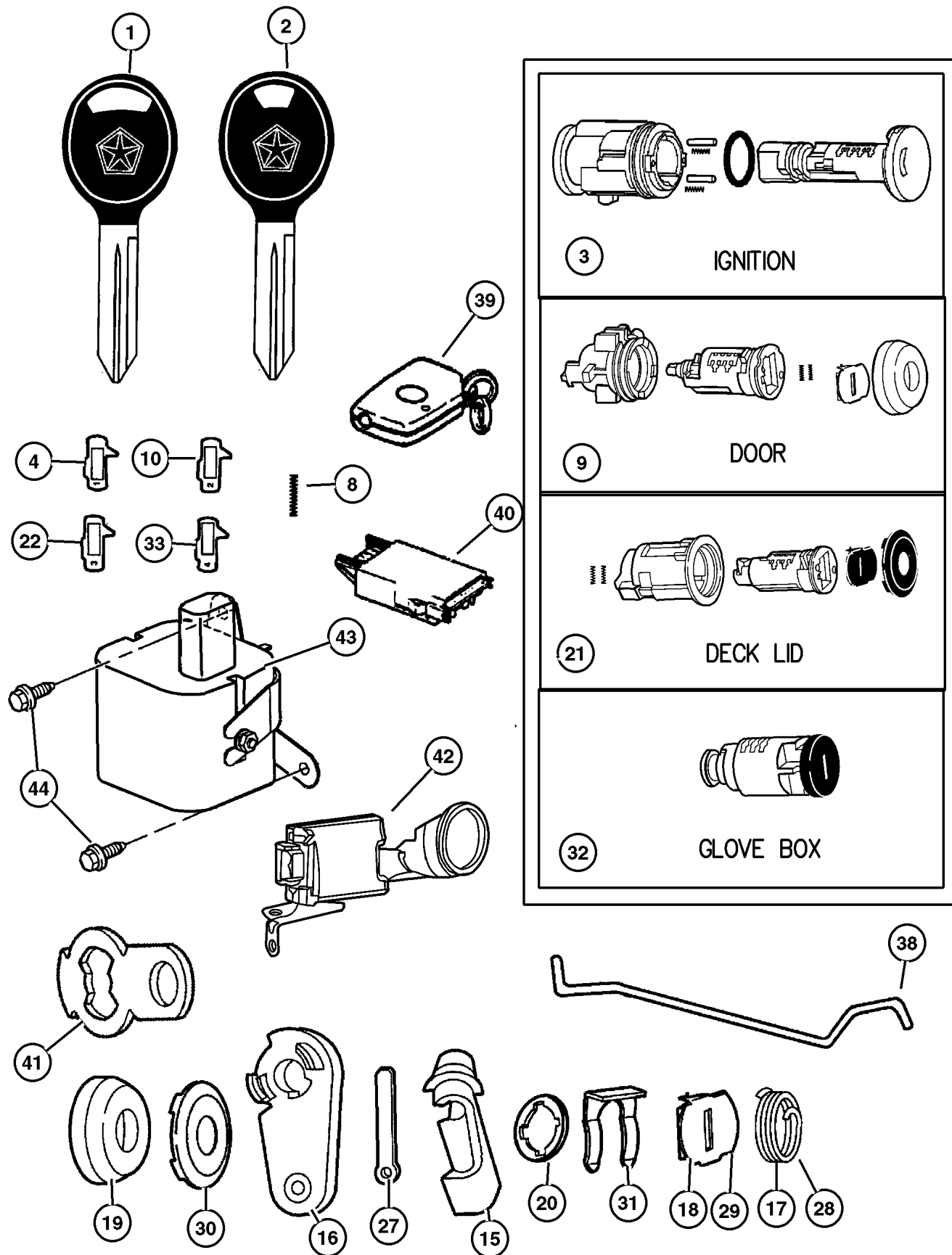
DODGE - CHRYSLER NEON (PL)

SERIES	LINE	BODY	ENGINE	TRANSMISSION
L=Low Line	Z=Chrysler, RHD	41 = 4 Door,	ECB,EC0=2.0L 4 Cyl., 16V SMPI	DD5=5 Speed Manual
H=High Line	D=Dodge	104WB	ECH,EC0=2.0L 4 Cyl, 16V SOHC	DGC=3 Speed Automatic
	D=Chrysler		EJD,EJ0=1.6L 4 Cyl 16V, SOHC	DGL=4 Speed Automatic
	P=Plymouth		EBD,EB0=1.8L 4 Cyl 16V SEF	DG0=All Automatics
				DBB=All 5 Speed Manual

AR = Use as required - = Non illustrated part # = New this model year

May 2, 2002

Lock Cylinder And Keys Figure 23D-105



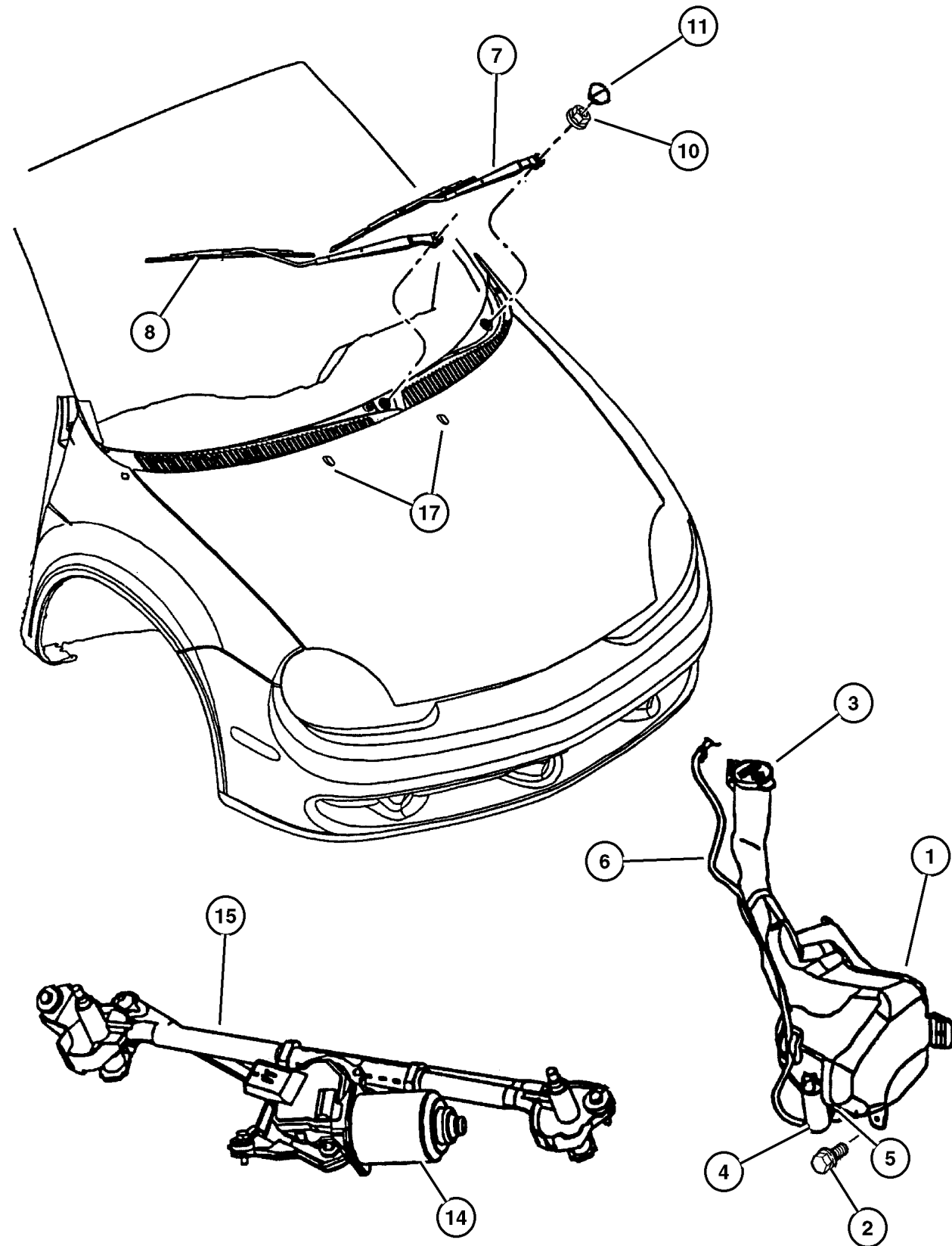
ITEM	PART NUMBER	QTY	LINE	BODY	DESCRIPTION
	4759 008AD	2			
	4759 011AC	2			Export
	5293 046AA	2	Z		
40					RECEIVER, Keyless Entry
	#5293 040AI	1			
	#5293 043AI	1			Export
	#5293 045AH	1			[Z Line]
41	4717 288	1			LEVER, Front Door Cylinder
42	#4671 722AB	1			MODULE, Immobilizer
43	4671 743AA	1			SIREN, Alarm, Export
44	6101 976	3			SCREW, Hex Flange Head, M6.3x1.81x16, Siren Mounting
-45	4664 232AA	1			RING, Ignition, Steering Column, Lock Cylinder Opening

DODGE - CHRYSLER NEON (PL)				
SERIES	LINE	BODY	ENGINE	TRANSMISSION
L=Low Line	Z=Chrysler, RHD	41 = 4 Door,	ECB,EC0=2.0L 4 Cyl., 16V SMPI	DD5=5 Speed Manual
H=High Line	D=Dodge	104WB	ECH,EC0=2.0L 4 Cyl, 16V SOHC	DGC=3 Speed Automatic
	D=Chrysler		EJD,EJ0=1.6L 4 Cyl 16V, SOHC	DGL=4 Speed Automatic
	P=Plymouth		EBD,EB0=1.8L 4 Cyl 16V SEF	DG0=All Automatics
				DBB=All 5 Speed Manual

AR = Use as required - = Non illustrated part # = New this model year

May 2, 2002

**Windshield Wiper And Washer
Figure 23D-205**



ITEM	PART NUMBER	QTY	LINE	BODY	DESCRIPTION
1	#5018 977AA	1			RESERVOIR, Washer
2					SCREW, .25-14x.75, Tapping, Hex Head, (NOT SERVICED)
3	4797 694	1			CAP, Washer Reservoir
4	55077 241AB	1			PUMP, Washer, Windshield
5	5011 809AA	1			GROMMET, Windshield Washer Pump
6	5018 127AA	1			HOSE, Windshield Washer
7					ARM, Wiper
	5014 792AB	1	D, P		Right
	5014 793AB	1	D, P		Left
	5014 802AB	1	Z		Right
	5014 803AB	1	Z		Left
8					BLADE, Wiper
	5014 794AA	1	D, P		Right
	5014 795AA	1	D, P		Left
	5014 804AA	1	Z		Right
	5014 805AA	1	Z		Left
-9					REFILL, Wiper Blade
	5014 796AA	1	D, P		Right
		1	Z		Right
	5014 797AA	1	Z		Left
		1	D, P		Left
10	6500 165	2			NUT, Wiper Arm
11	4389 440	2			CAP, Wiper Arm Nut
-12					CONNECTOR, Washer Hose, In Line
	5018 200AA	1			
	5018 105AA	2			
-13	5018 106AA	2			CONNECTOR, Washer Hose, Elbow Type
14					MOTOR, Wiper
	5014 790AA	1	D, P		
	5014 798AA	1	Z		
15					LINKAGE, Wiper Arm
	5014 791AB	1	D, P		
	5014 799AB	1	Z		
-16	4794 043AD	1			WIRING, Underhood Lamp
17	#5288 462AG	1			NOZZLE, Washer, Windshield

DODGE - CHRYSLER NEON (PL)

SERIES	LINE	BODY	ENGINE	TRANSMISSION
L=Low Line	Z=Chrysler, RHD	41 = 4 Door,	ECB,EC0=2.0L 4 Cyl., 16V SMPI	DD5=5 Speed Manual
H=High Line	D=Dodge	104WB	ECH,EC0=2.0L 4 Cyl, 16V SOHC	DGC=3 Speed Automatic
	D=Chrysler		EJD,EJ0=1.6L 4 Cyl 16V, SOHC	DGL=4 Speed Automatic
	P=Plymouth		EBD,EB0=1.8L 4 Cyl 16V SEF	DG0=All Automatics
				DBB=All 5 Speed Manual

AR = Use as required - = Non illustrated part # = New this model year

May 2, 2002

Group – 024

Air Conditioning & Heater

GROUP 24 - Air Conditioning & Heater

Illustration Title

Group-Fig. No.

Air Conditioner and Heater Units

Heater Unit Left-Hand Drive	Fig. 024-103
Heater Unit Right-Hand Drive	Fig. 024-105
Air Conditioning Unit Left-Hand Drive	Fig. 024-115
Air Conditioning and Heater Unit Right-Hand Drive	Fig. 024-120

Air Conditioner and Heater Plumbing

Plumbing, Heater	Fig. 024-202
Plumbing, Air Conditioning	Fig. 024-204

Air Conditioner and Heater Controls

Controls, Air Conditioning and Heater	Fig. 024-302
---	--------------

Air Conditioning Compressor

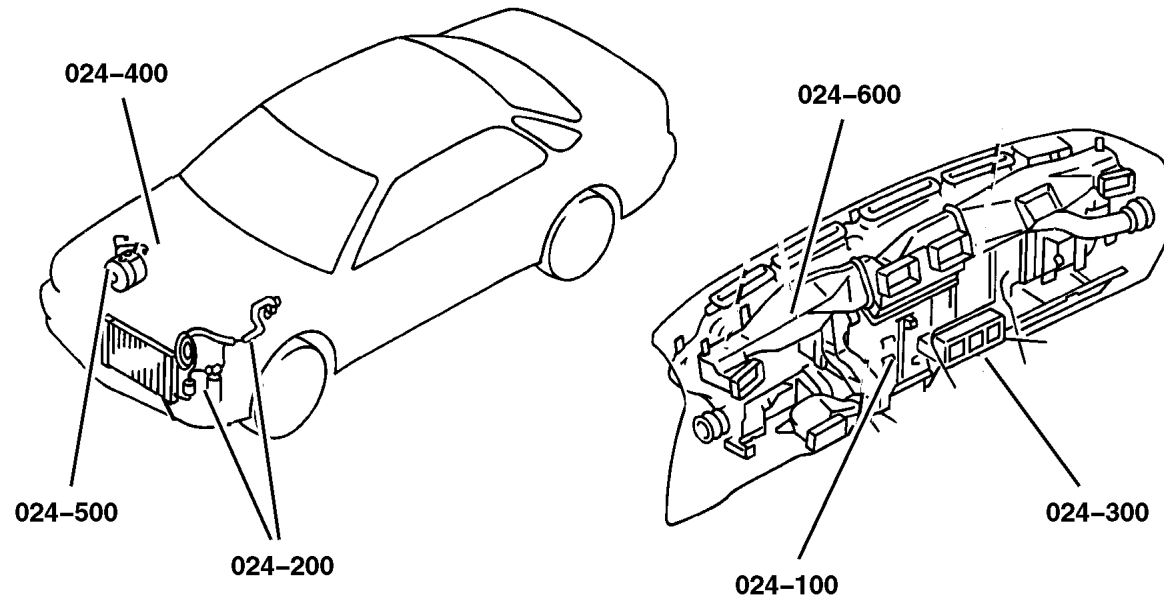
Compressor	Fig. 024-403
------------------	--------------

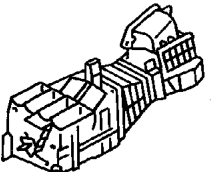
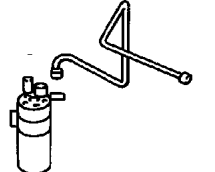
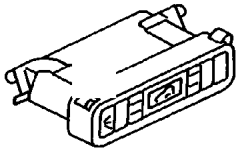
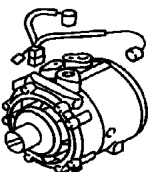
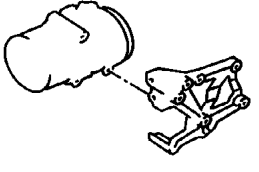
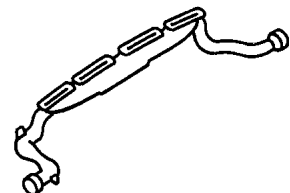
Air Conditioning Compressor Mounting

Compressor Mounting	Fig. 024-503
---------------------------	--------------

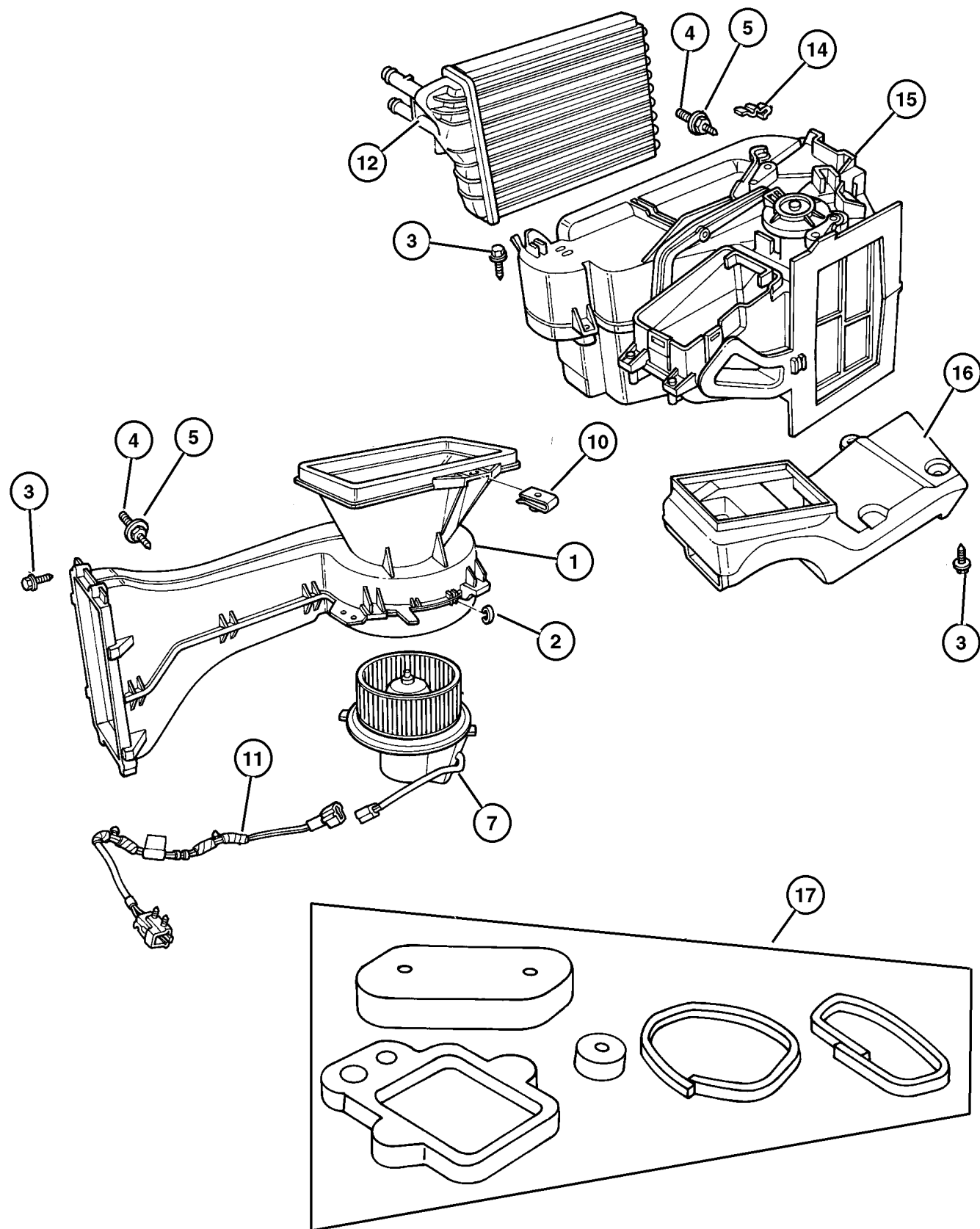
Air Ducts and Outlets

Air Distribution Ducts	Fig. 024-603
Air Distribution Outlets	Fig. 024-605



024-100 Air Conditioner and Heater Units 	024-200 Air Conditioner and Heater Plumbing 	024-300 Air Conditioner and Heater Controls 	024-400 Air Conditioning Compressor 
024-500 Air Conditioning Compressor Mounting 	024-600 Air Ducts and Outlets 		

**Heater Unit Left-Hand Drive
Figure 024-103**



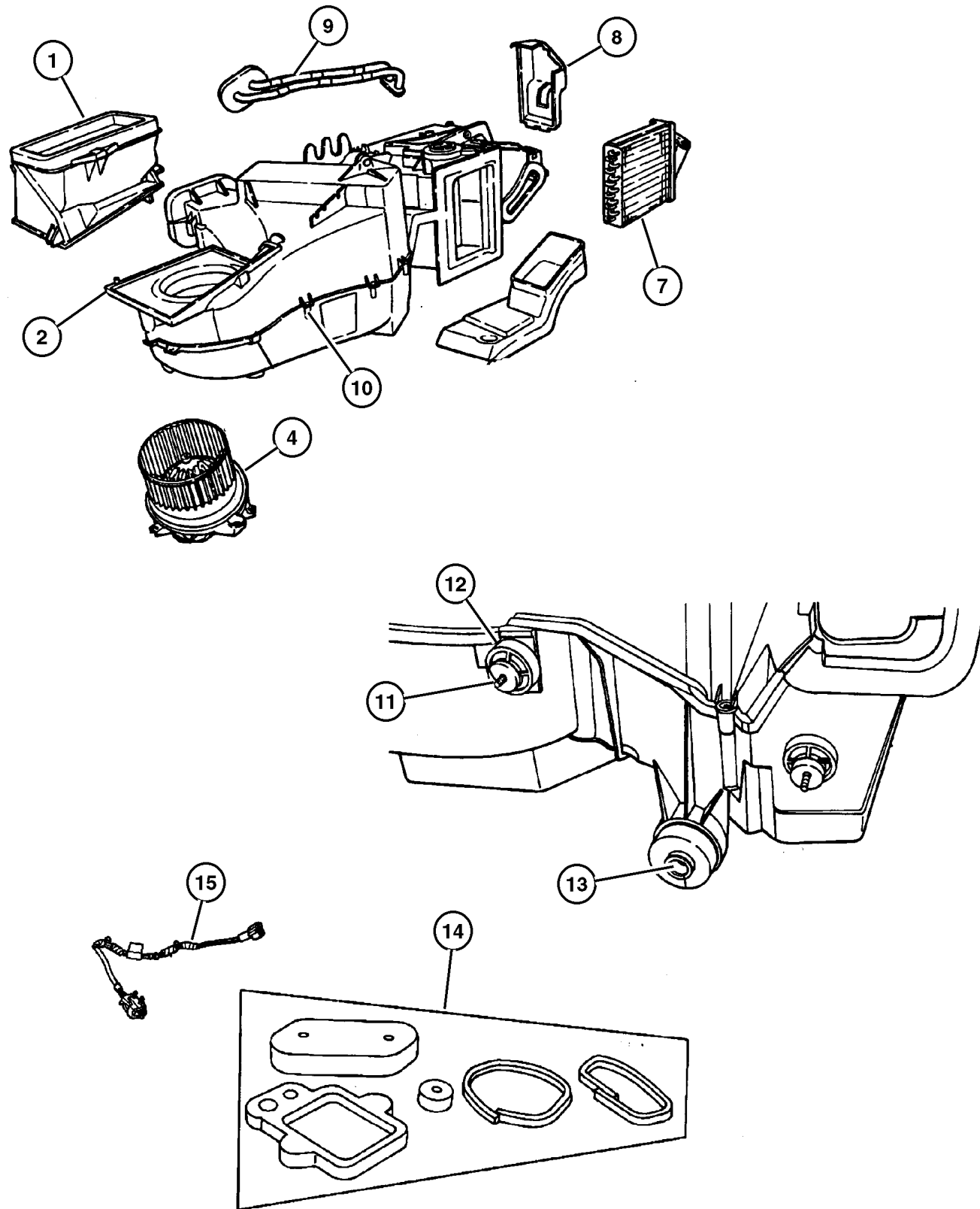
ITEM	PART NUMBER	QTY	LINE	BODY	ENGINE	DESCRIPTION
1	5015 287AA	1	D, P			HOUSING, Blower Motor
2	4644 388	2	D, P			CLIP, A/C Heater Housing
3	4734 227	30	D, P			SCREW, Hex Head, M4.8-1.59x19
4	4734 392	3	D, P			STUD, A/C Heater Housing
5	6031 087	3	D, P			WASHER, A/C Unit Mounting Stud
-6	4644 525	1	D, P			LEVER, Blend Air Door
7	4885 325AB	1	D, P			MOTOR, Blower with Wheel
-8						RESISTOR, Blower Motor
	5264 803AA	1	D, P			Up to 11-27-00
	5264 802AA	1				After 11-27-00
-9	4734 239	1	D, P			CAP, Blower Motor
10	6101 308	1	D, P			NUT, U, M6x1
11	4793 949AB	1	D, P			WIRING, Heater Jumper
12	4734 453	1	D, P			CORE, Heater
-13						SEAL, Heater Core, Serviced in Heater Core, (NOT SERVICED)
14	4644 499	4	D, P			CLIP, Air Conditioning Cable
15	5015 288AB	1	D, P			HOUSING, Distribution
16	4885 423AA	1	D, P			DUCT, Floor Distribution
17	5015 289AA	1	D, P			SEAL KIT, A/C And Heater Unit

DODGE - CHRYSLER NEON (PL)				
SERIES	LINE	BODY	ENGINE	TRANSMISSION
L=Low Line	Z=Chrysler, RHD	41 = 4 Door,	ECB,EC0=2.0L 4 Cyl., 16V SMPI	DD5=5 Speed Manual
H=High Line	D=Dodge	104WB	ECH,EC0=2.0L 4 Cyl, 16V SOHC	DGC=3 Speed Automatic
	D=Chrysler		EJD,EJ0=1.6L 4 Cyl 16V, SOHC	DGL=4 Speed Automatic
	P=Plymouth		EBD,EB0=1.8L 4 Cyl 16V SEF	DG0=All Automatics
				DBB=All 5 Speed Manual

AR = Use as required - = Non illustrated part # = New this model year

May 2, 2002

Heater Unit Right-Hand Drive Figure 024-105



ITEM	PART NUMBER	QTY	LINE	BODY	ENGINE	DESCRIPTION
1	5013 422AA	1	Z			HOUSING, Heater Air Inlet
2	5013 421AA	1	Z			HOUSING, A/C And Heater
-3	4644 525	1	D, P			LEVER, Blend Air Door
4	5017 720AA	1	Z			MOTOR, Blower with Wheel
-5						RESISTOR, Blower Motor
	5264 803AA	1	D, P			Up to 11-27-00
	5264 802AA	1				After 11-27-00
-6	4874 185	1	Z			COVER, Blower Motor
7	4874 181	1	Z			CORE, Heater
8	4874 182	1	Z			COVER, Heater Core Tubes
9	4874 183	1	Z			TUBE, Heater Core
10	4644 388	6	Z			CLIP, A/C Heater Housing
11	4644 225	3	Z			STUD, A/C Heater Housing
12	6031 087	3	Z			WASHER, A/C Unit Mounting Stud
13	4874 186	1	Z			PLUG, A/C Evaporator Drain Tube
14	4874 187	1	Z			SEAL KIT, A/C And Heater Unit
15	4793 950AB	1	Z			WIRING, A/C and HEATER
-16	4734 227	25	Z			SCREW, Hex Head, M4.8-1.59x19
-17	4874 184	1	Z			GROMMET, A/C Probe

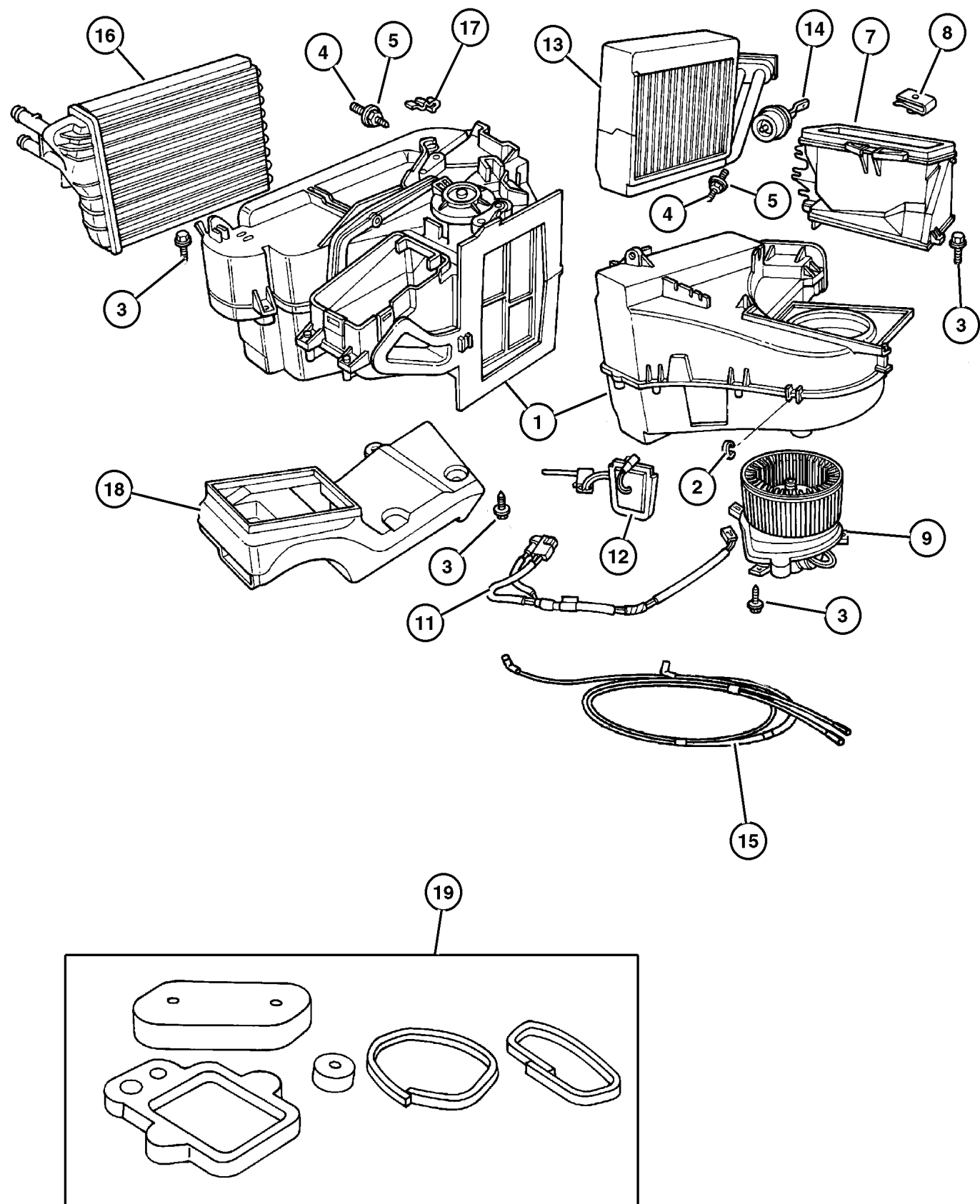
DODGE - CHRYSLER NEON (PL)

SERIES	LINE	BODY	ENGINE	TRANSMISSION
L=Low Line	Z=Chrysler, RHD	41 = 4 Door,	ECB,EC0=2.0L 4 Cyl., 16V SMPI	DD5=5 Speed Manual
H=High Line	D=Dodge	104WB	ECH,EC0=2.0L 4 Cyl, 16V SOHC	DGC=3 Speed Automatic
	D=Chrysler		EJD,EJ0=1.6L 4 Cyl 16V, SOHC	DGL=4 Speed Automatic
	P=Plymouth		EBD,EB0=1.8L 4 Cyl 16V SEF	DG0=All Automatics
				DBB=All 5 Speed Manual

AR = Use as required - = Non illustrated part # = New this model year

May 2, 2002

Air Conditioning Unit Left-Hand Drive Figure 024-115

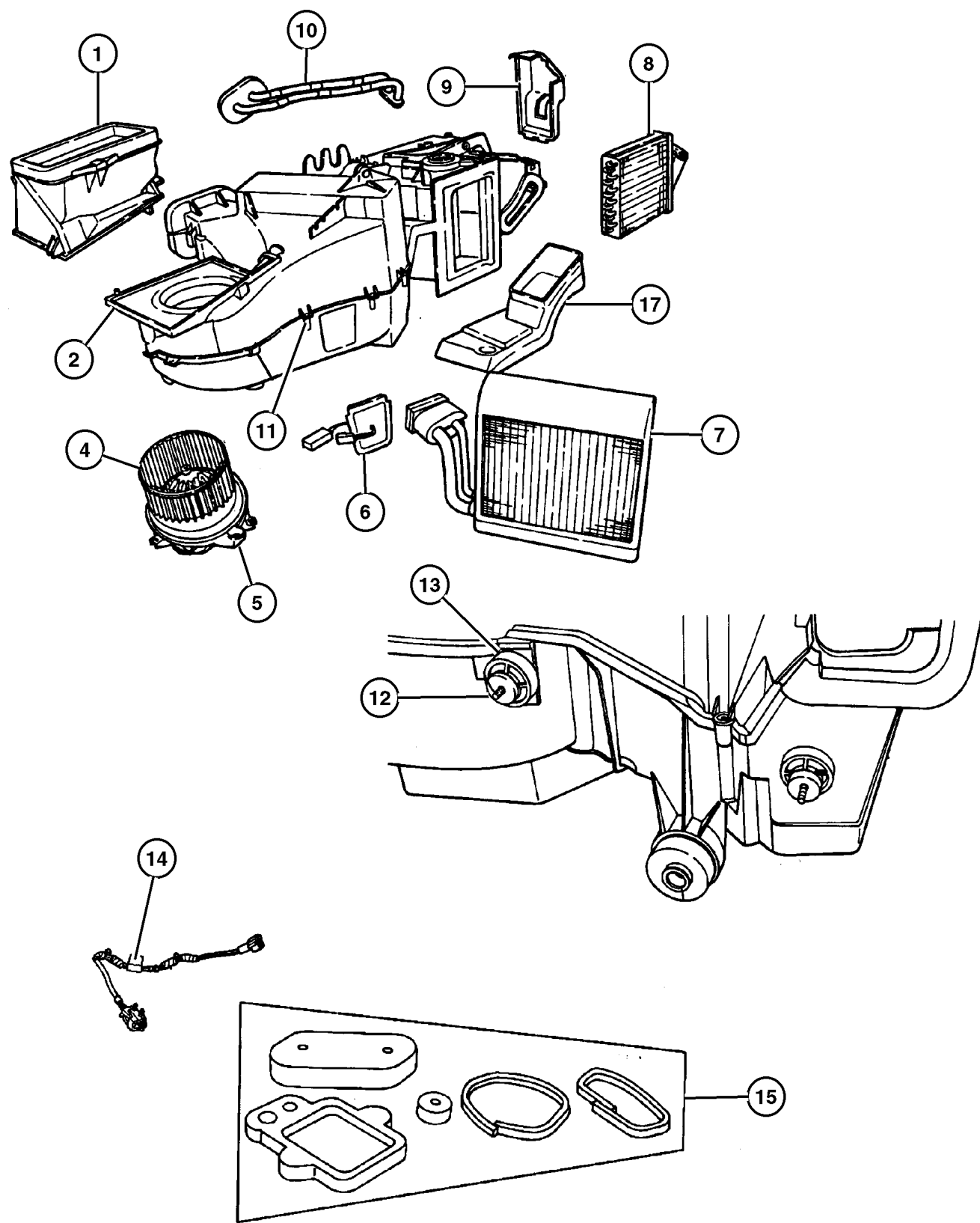


ITEM	PART NUMBER	QTY	LINE	BODY	ENGINE	DESCRIPTION
NOTE: Sales Codes: n key.						
[ECB] = 2.0L SOHC 16V n key.						
[ECH] = 2.0L 4 CYL SOHC 16V HI PERF n key.						
[EJD] = 1.6L 4 CYL SOHC 16V SMPI n key.						
1	5015 285AB	1	D, P			HOUSING, A/C And Heater
2	4644 388	2	D, P			CLIP, A/C Heater Housing
3	4734 227	30	D, P			SCREW, Hex Head, M4.8-1.59x19
4	4734 392	3	D, P			STUD, A/C Heater Housing
5	6031 087	3	D, P			WASHER, A/C Unit Mounting Stud
-6	4644 525	1	D, P			LEVER, Blend Air Door
7	5015 286AA	1	D, P			HOUSING, Air Inlet
8	6101 308	1	D, P			NUT, U, M6x1
9	4885 326AA	1	D, P			MOTOR, Blower with Wheel
-10	5264 802AA	1				RESISTOR, Blower Motor
11	4793 948AB	1	D, P			WIRING, A/C and HEATER
12	4644 536	1	D, P			PROBE, Air Conditioning
13	5011 513AC	1	D, P			EVAPORATOR, Air Conditioning
14	4885 338AA	1	D, P			ACTUATOR, Vacuum
15	4885 339AA	1	D, P			HARNESS, A/C And Heater Vacuum
16	4734 453	1	D, P			CORE, Heater
17	4644 499	2	D, P			CLIP, Air Conditioning Cable
18	4885 423AA	1	D, P			DUCT, Floor Distribution
19	5015 289AB	1	D, P			SEAL KIT, A/C And Heater Unit

DODGE - CHRYSLER NEON (PL)				
SERIES	LINE	BODY	ENGINE	TRANSMISSION
L=Low Line	Z=Chrysler, RHD	41 = 4 Door,	ECB,EC0=2.0L 4 Cyl., 16V SMPI	DD5=5 Speed Manual
H=High Line	D=Dodge	104WB	ECH,EC0=2.0L 4 Cyl, 16V SOHC	DGC=3 Speed Automatic
	D=Chrysler		EJD,EJ0=1.6L 4 Cyl 16V, SOHC	DGL=4 Speed Automatic
	P=Plymouth		EBD,EB0=1.8L 4 Cyl 16V SEF	DG0=All Automatics
				DBB=All 5 Speed Manual

AR = Use as required - = Non illustrated part # = New this model year

Air Conditioning and Heater Unit Right-Hand Drive
Figure 024-120



ITEM	PART NUMBER	QTY	LINE	BODY	ENGINE	DESCRIPTION
1	5013 423AA	1	Z			HOUSING, Air Inlet
2	5013 421AA	1	Z			HOUSING, A/C And Heater
-3	4644 525	1	D, P			LEVER, Blend Air Door
4	5017 720AA	1	Z			MOTOR, Blower with Wheel
5	4874 185	1	Z			COVER, Blower Motor
6	4644 536	1	Z			PROBE, Air Conditioning
7	4874 180AB	1	Z			EVAPORATOR, Air Conditioning
8	4874 181	1	Z			CORE, Heater
9	4874 182	1	Z			COVER, Heater Core Tubes
10	4874 183	1	Z			TUBE, Heater Core
11	4644 388	6	Z			CLIP, A/C Heater Housing
12	4644 225	3	Z			STUD, A/C Heater Housing
13	6031 087	2	Z			WASHER, A/C Unit Mounting Stud
14	4793 950AB	1	Z			WIRING, A/C and HEATER
15	4874 187	1	Z			SEAL KIT, A/C And Heater Unit
-16	4734 227	25	Z			SCREW, Hex Head, M4.8-1.59x19
17	4644 500	1	Z			DUCT, Floor Distribution
-18	5264 802AA	1	Z			RESISTOR, Blower Motor

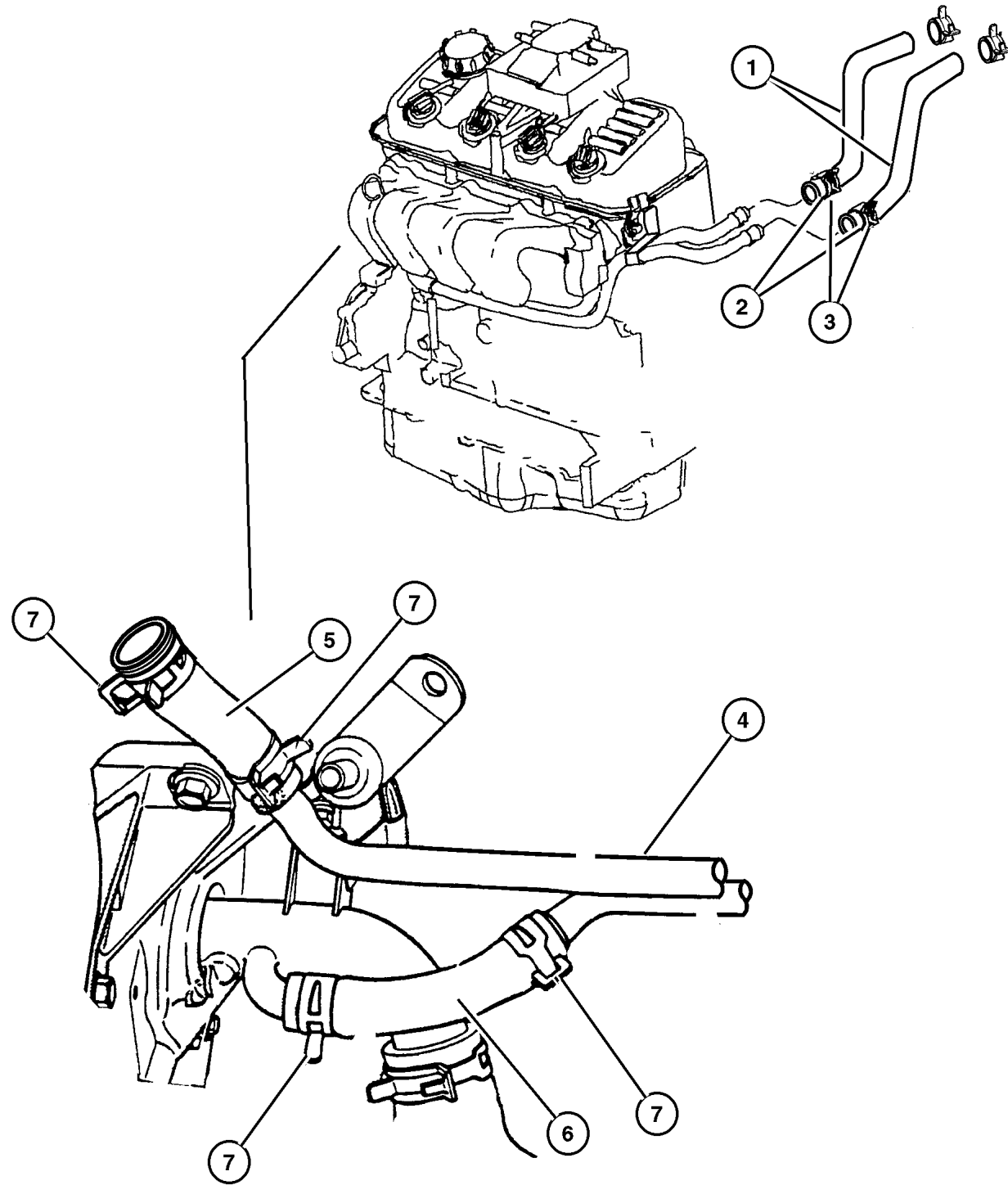
DODGE - CHRYSLER NEON (PL)

SERIES	LINE	BODY	ENGINE	TRANSMISSION
L=Low Line	Z=Chrysler, RHD	41 = 4 Door,	ECB,EC0=2.0L 4 Cyl., 16V SMPI	DD5=5 Speed Manual
H=High Line	D=Dodge	104WB	ECH,EC0=2.0L 4 Cyl, 16V SOHC	DGC=3 Speed Automatic
	D=Chrysler		EJD,EJ0=1.6L 4 Cyl 16V, SOHC	DGL=4 Speed Automatic
	P=Plymouth		EBD,EB0=1.8L 4 Cyl 16V SEF	DG0=All Automatics
				DBB=All 5 Speed Manual

AR = Use as required - = Non illustrated part # = New this model year

May 2, 2002

Plumbing, Heater
Figure 024-202



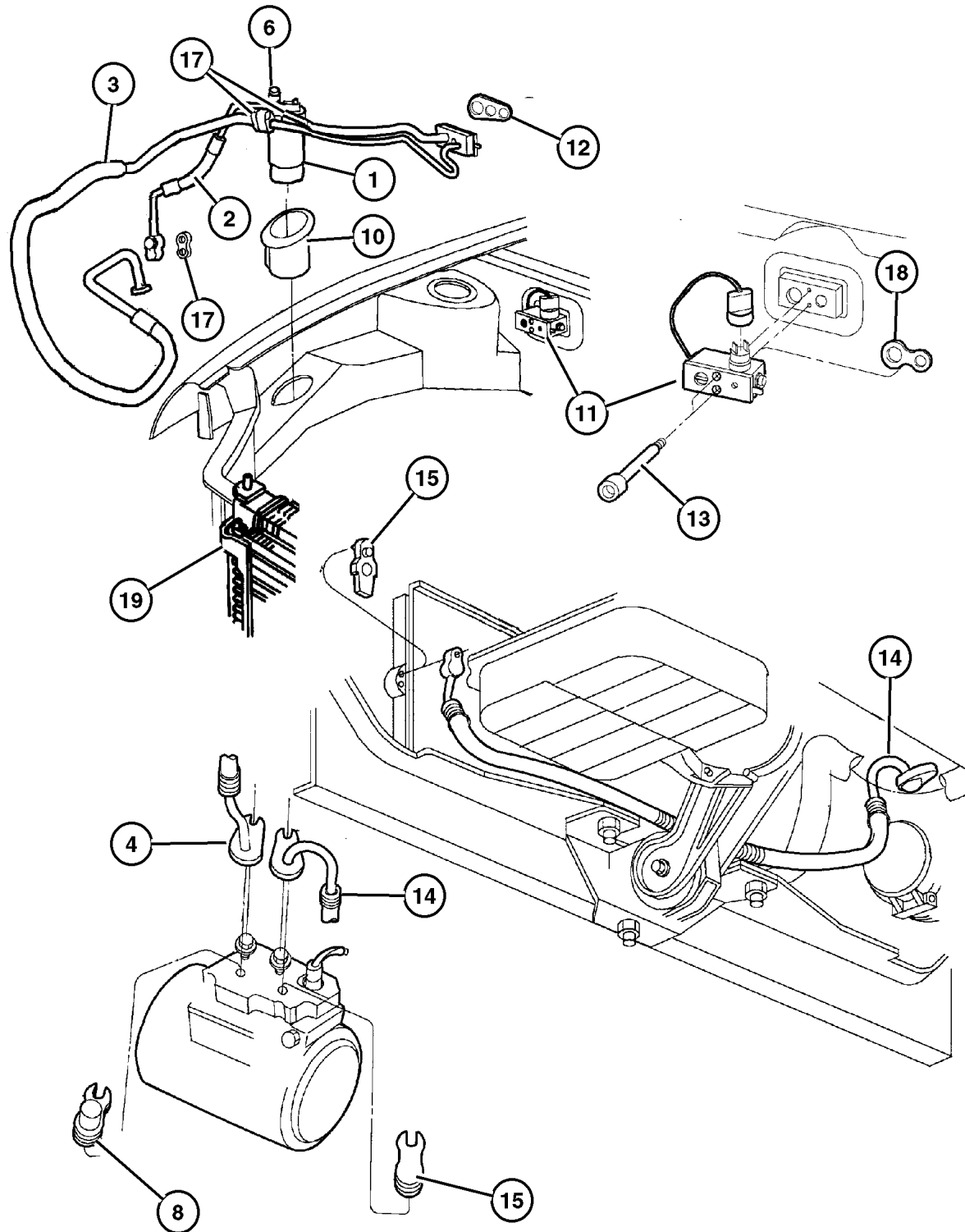
ITEM	PART NUMBER	QTY	LINE	BODY	ENGINE	DESCRIPTION
NOTE: Sales Codes: n key.						
[ECB] = 2.0L SOHC 16V n key.						
[ECH] = 2.0L 4 CYL SOHC 16V HI PERF n key.						
1	#5058 854AA	1	D, P		ECB,	HOSE, Heater Core To Tube
	5264 781AA	2	Z		ECH,	
2	6502 017	4			ECB,	CLAMP, Heater Hose
		4			ECH	
3	6503 422	4	D, P		ECB,	CLAMP, Supply Hose, 26 mm Diameter
		2	Z		ECH,	
					ECB,	
					ECH	
4	#4884 145AA	1			ECH	TUBE, Heater
		1			ECB	
5	#4884 086AA	1			ECH	HOSE, Heater
		1			ECB	
6	#4884 086AA	1			ECH	HOSE, Heater, Tube to Pump (Serviced in Item #6)
		1			ECB	
7	6503 422	4	D, P		ECB,	CLAMP, Supply Hose, 26 mm Diameter
		2	Z		ECH,	
					ECB,	
					ECH	

DODGE - CHRYSLER NEON (PL)				
SERIES	LINE	BODY	ENGINE	TRANSMISSION
L=Low Line	Z=Chrysler, RHD	41 = 4 Door,	ECB,EC0=2.0L 4 Cyl., 16V SMPI	DD5=5 Speed Manual
H=High Line	D=Dodge	104WB	ECH,EC0=2.0L 4 Cyl, 16V SOHC	DGC=3 Speed Automatic
	D=Chrysler		EJD,EJ0=1.6L 4 Cyl 16V, SOHC	DGL=4 Speed Automatic
	P=Plymouth		EBD,EB0=1.8L 4 Cyl 16V SEF	DG0=All Automatics
				DBB=All 5 Speed Manual

AR = Use as required - = Non illustrated part # = New this model year

May 2, 2002

Plumbing, Air Conditioning
Figure 024-204



ITEM	PART NUMBER	QTY	LINE	BODY	ENGINE	DESCRIPTION
NOTE: Sales Codes: n key.						
[ECB] = 2.0L SOHC 16V n key.						
[ECH] = 2.0L 4 CYL SOHC 16V HI PERF n key.						
[EJD] = 1.6L 4 CYL SOHC 16V SMPI n key.						
1						DRIER, Air Conditioning Filter
	5015 343AA	1	D, P		ECB, ECH, EJD	
		1	Z		ECB, ECH	
2						LINE, A/C Liquid
	5015 342AB	1	D, P		ECB, ECH, EJD	
		1	Z		ECB, ECH	
3						LINE, A/C Suction And Liquid
	5015 344AD	1	D, P		EBD, ECB, ECH	
	5015 345AB	1	Z		EBD, ECB, ECH	
4	5278 761AC	1	D, P		ECB	LINE, A/C Suction
-5	5278 762AA	1	D, P		ECB, ECH	CLIP, A/C Suction Line
6						CAP, A/C Check Valve
	5264 642	2	D, P		ECB, ECH, EJD	
		2	Z		ECB, ECH	
-7	6101 770	1				SCREW AND WASHER, Hex Head, .19-16x1.00
8						O RING, A/C Suction Line
	4796 564	1	D, P		ECB, ECH, EJD	
		1	Z		ECB, ECH	
-9	6101 660	1				SCREW AND WASHER, Hex Head, M8x1.25x35, Suction Line to H-Valve
10	5264 643AD	1				GROMMET, A/C Drier Mounting

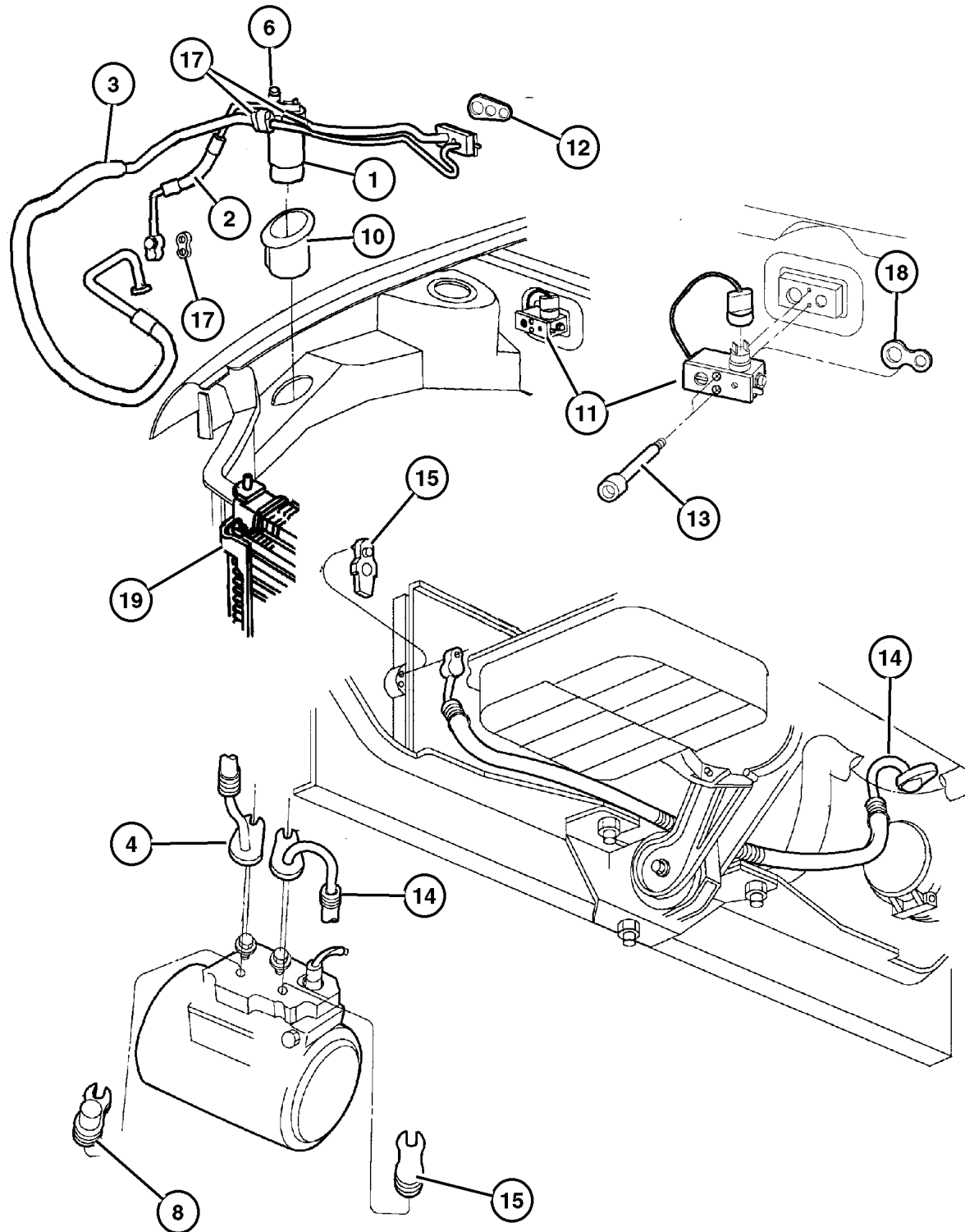
DODGE - CHRYSLER NEON (PL)

SERIES	LINE	BODY	ENGINE	TRANSMISSION
L=Low Line	Z=Chrysler, RHD	41 = 4 Door,	ECB,EC0=2.0L 4 Cyl., 16V SMPI	DD5=5 Speed Manual
H=High Line	D=Dodge	104WB	ECH,EC0=2.0L 4 Cyl, 16V SOHC	DGC=3 Speed Automatic
	D=Chrysler		EJD,EJ0=1.6L 4 Cyl 16V, SOHC	DGL=4 Speed Automatic
	P=Plymouth		EBD,EB0=1.8L 4 Cyl 16V SEF	DG0=All Automatics
				DBB=All 5 Speed Manual

AR = Use as required - = Non illustrated part # = New this model year

May 2, 2002

Plumbing, Air Conditioning
Figure 024-204



ITEM	PART NUMBER	QTY	LINE	BODY	ENGINE	DESCRIPTION
11	5278 510AC	1	D, P			VALVE, A/C Expansion, w/Cut-Off Switch
12	5264 633	1	D, P		ECB, ECH, EJD	GASKET, A/C Expansion Valve
		1	Z		ECB, ECH	
13	6032 572	2				SCREW, Cap, .25-20x2.00
14	#5278 574AA #5264 759AB	1 1			EJD ECB, ECH	LINE, A/C Discharge
15						O RING, A/C Discharge Line
	4796 565	1	D, P		ECB, ECH, EJD	
		1	Z		ECB, ECH	
-16						VALVE, A/C Discharge Line Check
	4723 029	1	D, P		ECB, ECH, EJD	
		1	Z		ECB, ECH	
17						O RING, High Pressure
	4882 139	2	D, P		ECB, ECH, EJD	
		2	Z		ECB, ECH	
18						GASKET, H Valve Fixation, Serviced with Expansion Valve, (NOT SERVICED)
19	5014 582AA	1			EBD, ECB, ECH	CONDENSER, Air Conditioning

DODGE - CHRYSLER NEON (PL)

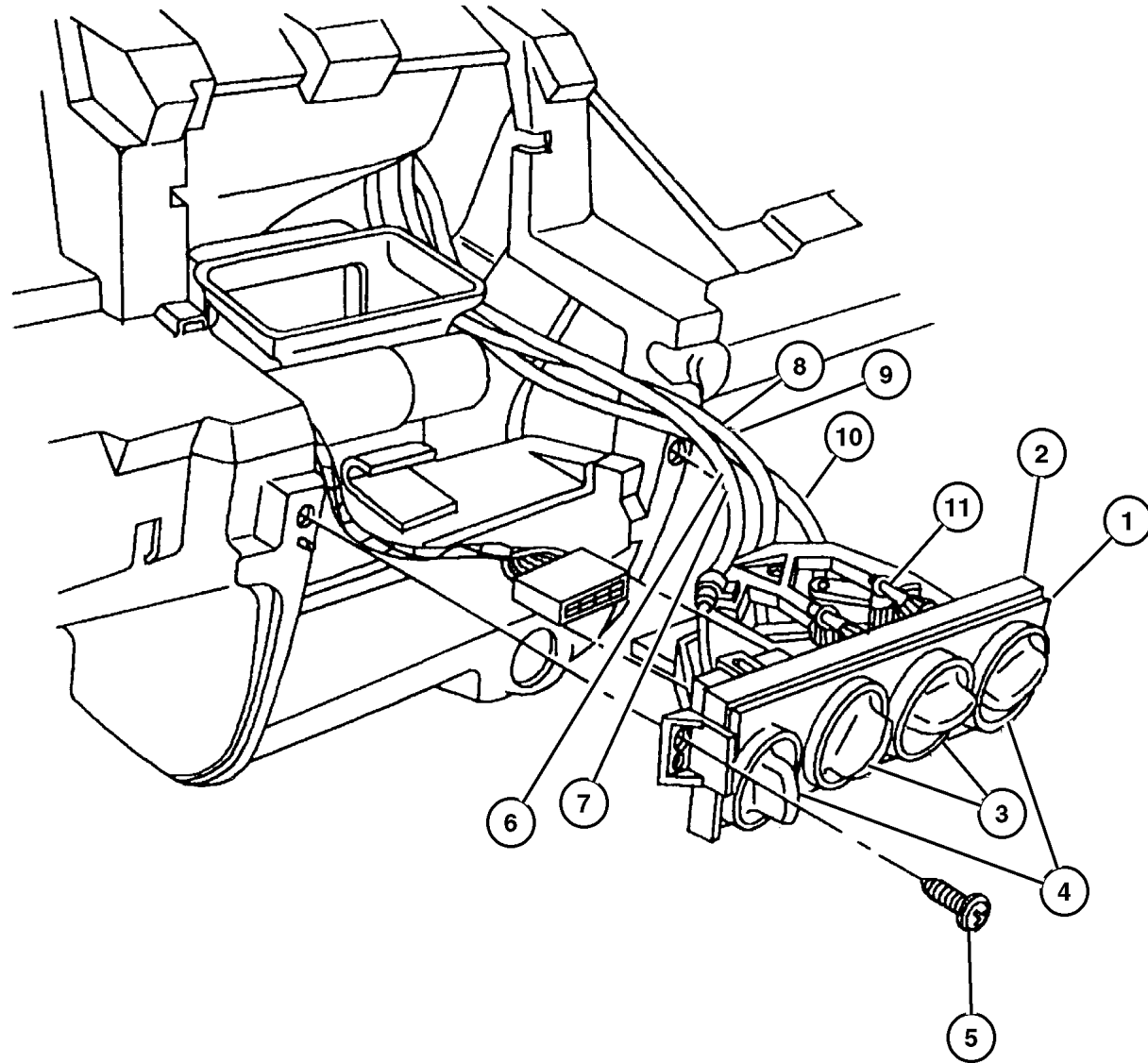
SERIES	LINE	BODY	ENGINE	TRANSMISSION
L=Low Line	Z=Chrysler, RHD	41 = 4 Door,	ECB,EC0=2.0L 4 Cyl., 16V SMPI	DD5=5 Speed Manual
H=High Line	D=Dodge	104WB	ECH,EC0=2.0L 4 Cyl, 16V SOHC	DGC=3 Speed Automatic
	D=Chrysler		EJD,EJ0=1.6L 4 Cyl 16V, SOHC	DGL=4 Speed Automatic
	P=Plymouth		EBD,EB0=1.8L 4 Cyl 16V SEF	DG0=All Automatics
				DBB=All 5 Speed Manual

AR = Use as required - = Non illustrated part # = New this model year

May 2, 2002

**Controls, Air Conditioning and Heater
Figure 024-302**

ITEM	PART NUMBER	QTY	LINE	BODY	ENGINE	DESCRIPTION
NOTE: n key.						
Control Face Plate serviced with center Instrument Panel Bezel n key.						
1						CONTROL, A/C And Heater
	4885 336AA	1	D, P			
	5015 381AA	1	Z			
2						CONTROL, Heater
	4885 337AA	1	D, P			
	5015 382AA	1	Z			
3						KNOB, A/C Control
	SZ13 DX9AA	2				
		1	Z			Recirc
4						KNOB, Blower Switch
	SZ14 DX9AA	1				Blower
		1	D, P			Recirc
5	6032 723	4				SCREW, Self Tapping, M4.2x1.69x19.05
6	4885 391AB	1	D, P			CABLE, Mode
7	4644 495	1	Z			CABLE, Mode
8	4885 392AB	1	D, P			CABLE, Blend Door
9	4644 496	1	Z			CABLE, Temperature Control
10	4644 494	1	Z			CABLE, Recirculation Door
11						CLIP, Air Conditioning Cable
	4644 499	4	D, P			
		4	Z			
-12	5003 281AA	4				BULB, Heater and A/C Control

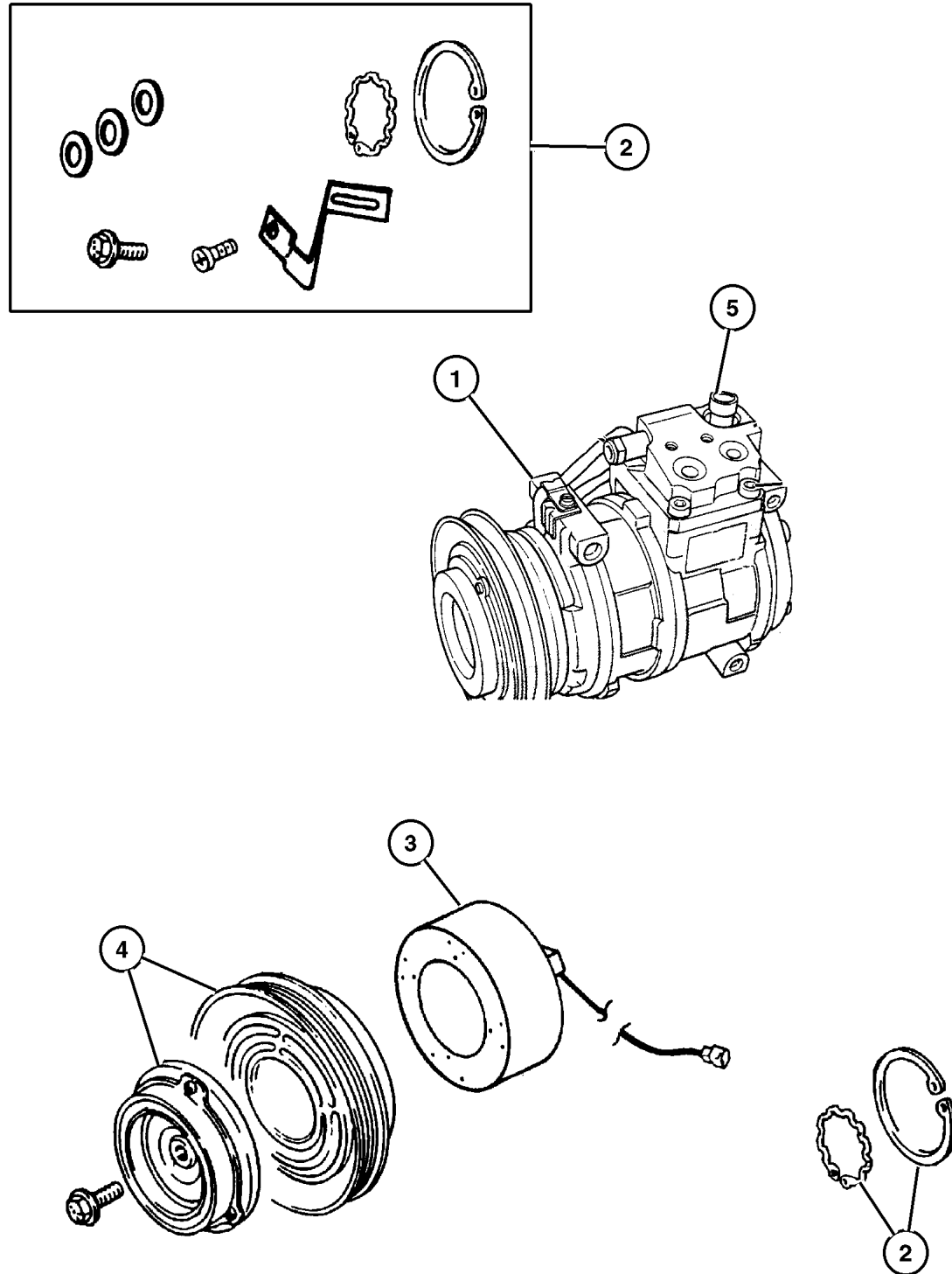


DODGE - CHRYSLER NEON (PL)				
SERIES	LINE	BODY	ENGINE	TRANSMISSION
L=Low Line	Z=Chrysler, RHD	41 = 4 Door,	ECB,EC0=2.0L 4 Cyl., 16V SMPI	DD5=5 Speed Manual
H=High Line	D=Dodge	104WB	ECH,EC0=2.0L 4 Cyl, 16V SOHC	DGC=3 Speed Automatic
	D=Chrysler		EJD,EJ0=1.6L 4 Cyl 16V, SOHC	DGL=4 Speed Automatic
	P=Plymouth		EBD,EB0=1.8L 4 Cyl 16V SEF	DG0=All Automatics
				DBB=All 5 Speed Manual

AR = Use as required - = Non illustrated part # = New this model year

May 2, 2002

Compressor Figure 024-403



ITEM	PART NUMBER	QTY	LINE	BODY	ENGINE	DESCRIPTION
------	-------------	-----	------	------	--------	-------------

NOTE: Sales Codes: n key.
 [ECB] = 2.0L SOHC 16V n key.
 [ECH] = 2.0L 4 CYL SOHC 16V HI PERF n key.
 [EJD] = 1.6L 4 CYL SOHC 16V SMPI n key.

1						COMPRESSOR, Air Conditioning
	#5278 579AA	1			EJD	
	5278 757AA	1	Z		ECB, ECH	
		1	D, P		ECB, ECH	
2						CLUTCH OVERHAUL KIT, A/C Compressor
	5014 572AA	1	D, P		ECB, ECH	
		1	Z		ECB, ECH	
		1			EJD	
3						COIL, Stator, A/C Compressor Clutch
	4864 715	1	D, P		ECB, ECH	
		1	Z		ECB, ECH	
		1			EJD	
4						PULLEY HUB KIT, A/C Compressor
	5014 573AA	1	D, P		ECB, ECH	
		1	Z		ECB, ECH	
5						SWITCH, A/C High Pressure Cut Off
	5014 574AA	1	Z		ECB, ECH	
		1			EJD	
		1	D, P		ECB, ECH	

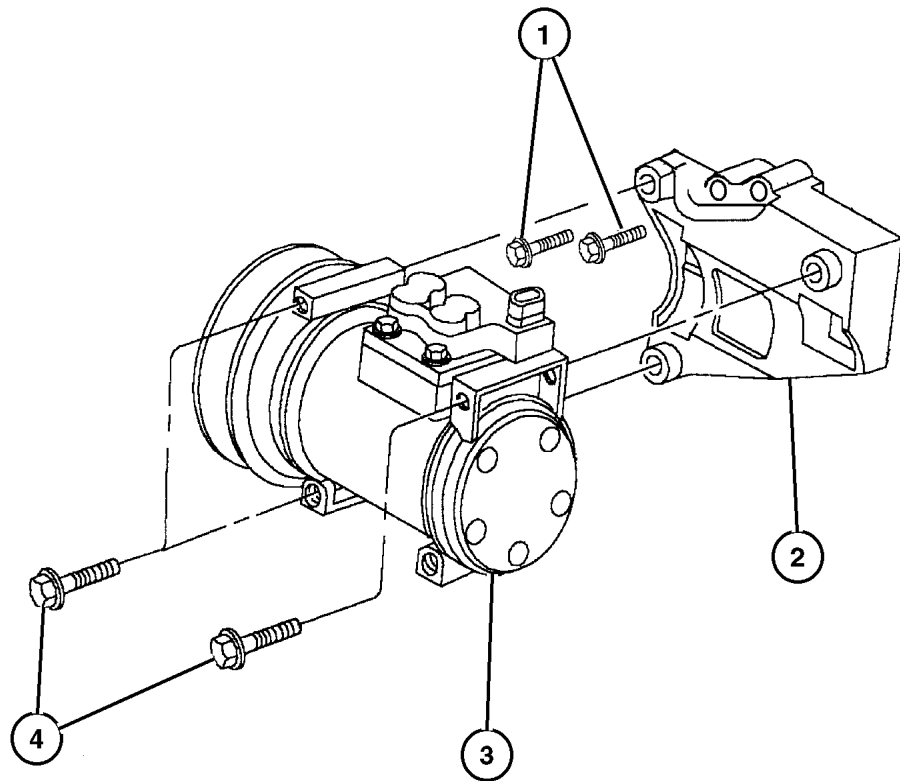
DODGE - CHRYSLER NEON (PL)				
SERIES	LINE	BODY	ENGINE	TRANSMISSION
L=Low Line	Z=Chrysler, RHD	41 = 4 Door,	ECB,EC0=2.0L 4 Cyl., 16V SMPI	DD5=5 Speed Manual
H=High Line	D=Dodge	104WB	ECH,EC0=2.0L 4 Cyl, 16V SOHC	DGC=3 Speed Automatic
	D=Chrysler		EJD,EJ0=1.6L 4 Cyl 16V, SOHC	DGL=4 Speed Automatic
	P=Plymouth		EBD,EB0=1.8L 4 Cyl 16V SEF	DG0=All Automatics
				DBB=All 5 Speed Manual

AR = Use as required - = Non illustrated part # = New this model year

May 2, 2002

**Compressor Mounting
Figure 024-503**

ITEM	PART NUMBER	QTY	LINE	BODY	ENGINE	DESCRIPTION
NOTE: Sales Codes: n key.						
[ECB] = 2.0L SOHC 16V n key.						
[ECH] = 2.0L 4 CYL SOHC 16V HI PERF n key.						
[EJD] = 1.6L 4 CYL SOHC 16V SMPI n key.						
1						SCREW AND WASHER, Hex Head, M10x1.5x45
	6101 512	3			ECB	
		3			ECH	
2	4668 194AB	1			ECB, ECH	BRACKET, Torque Reaction, Compressor Mounting
3						COMPRESSOR, Air Conditioning
	5278 757AA	1	D, P		ECB, ECH	
		1	Z		ECB, ECH	
	#5278 579AA	1			EJD	
4	6503 219	4			ECB, ECH	SCREW AND WASHER, Hex Head, M8x1.25x100

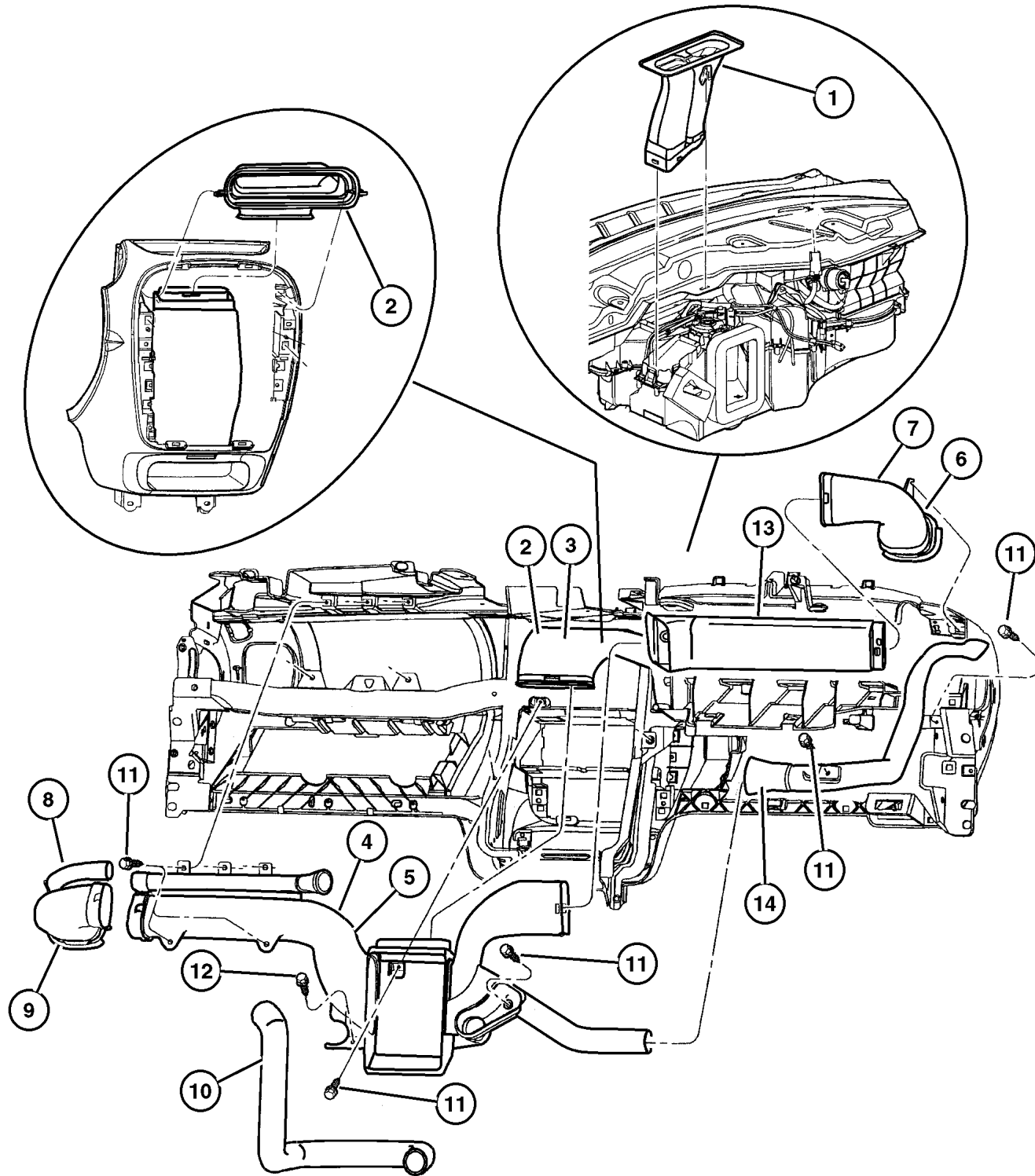


DODGE - CHRYSLER NEON (PL)				
SERIES	LINE	BODY	ENGINE	TRANSMISSION
L=Low Line	Z=Chrysler, RHD	41 = 4 Door,	ECB,EC0=2.0L 4 Cyl., 16V SMPI	DD5=5 Speed Manual
H=High Line	D=Dodge	104WB	ECH,EC0=2.0L 4 Cyl, 16V SOHC	DGC=3 Speed Automatic
	D=Chrysler		EJD,EJ0=1.6L 4 Cyl 16V, SOHC	DGL=4 Speed Automatic
	P=Plymouth		EBD,EB0=1.8L 4 Cyl 16V SEF	DG0=All Automatics
				DBB=All 5 Speed Manual

AR = Use as required - = Non illustrated part # = New this model year

May 2, 2002

Air Distribution Ducts Figure 024-603



ITEM	PART NUMBER	QTY	LINE	BODY	ENGINE	DESCRIPTION
1						DUCT, Defroster
	5264 792AB	1	D, P			
	5264 801AB	1	Z			
2	5264 748	1	D, P			DUCT, Air Outlet Distribution, Center
3	5264 785AA	1	Z			DUCT, Air Outlet, Center
4	5264 749AD	1	D, P			DUCT, Air Outlet
5	5264 784AD	1	Z			DUCT, Air Outlet Distribution
6	5264 753AC	1	D, P			DUCT, Air Outlet
7	5264 788AB	1	Z			DUCT, Air Outlet
8	5264 752AC	1	D, P			DUCT, Air Outlet
9	5264 787AC	1	Z			DUCT, Air Outlet, Left
10						HOSE, Demister
	5264 750	1	D, P			
		1	Z			
11	6032 723	4				SCREW, Self Tapping, M4.2x1.69x19.05
12	6030 441	2				PIN, Retainer
13						DUCT, Air Outlet
	5264 799AA	1	D, P			
	5264 800AA	1	Z			
14	5264 751	1	D, P			ADAPTER, Demister, Left

DODGE - CHRYSLER NEON (PL)

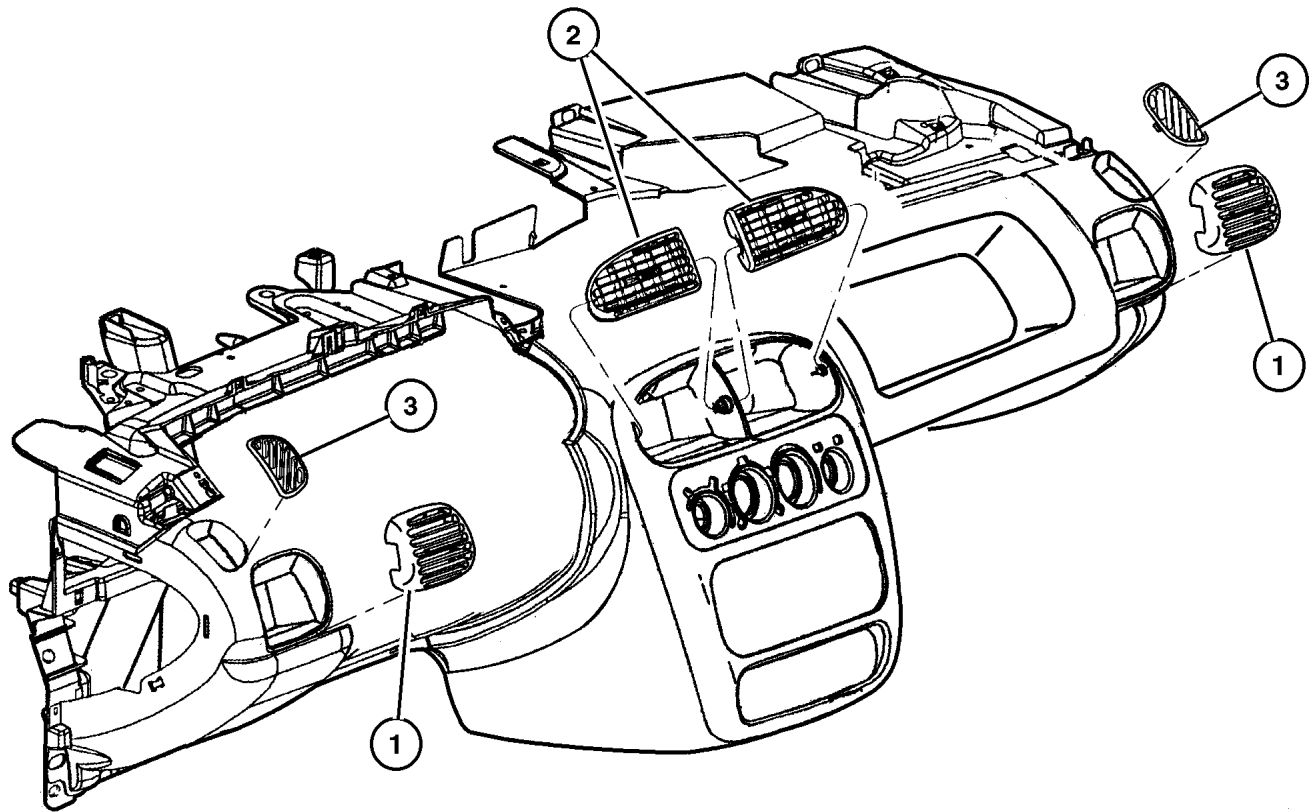
SERIES	LINE	BODY	ENGINE	TRANSMISSION
L=Low Line	Z=Chrysler, RHD	41 = 4 Door,	ECB,EC0=2.0L 4 Cyl., 16V SMPI	DD5=5 Speed Manual
H=High Line	D=Dodge	104WB	ECH,EC0=2.0L 4 Cyl, 16V SOHC	DGC=3 Speed Automatic
	D=Chrysler		EJD,EJ0=1.6L 4 Cyl 16V, SOHC	DGL=4 Speed Automatic
	P=Plymouth		EBD,EB0=1.8L 4 Cyl 16V SEF	DG0=All Automatics
				DBB=All 5 Speed Manual

AR = Use as required - = Non illustrated part # = New this model year

May 2, 2002

Air Distribution Outlets Figure 024-605

ITEM	PART NUMBER	QTY	LINE	BODY	ENGINE	DESCRIPTION
1						OUTLET, Air, Outer
	QT56 WL5AA	2	D, P			[L5]
		2	Z			[L5]
	QT56 XDVAA	2	D, P			[DV]
		2	Z			[DV]
2						OUTLET, Air, Center
	QT58 DX9AC	1				Black, Right
	QT59 DX9AC	1				Black, Left
3						GRILLE, Demister
	RB23 WL5AA	1	D, P			[L5], Right
	RB24 WL5AA	1	D, P			[L5], Left
	RB23 XDVAA	1	D, P			[DV], Right
	RB24 XDVAA	1	D, P			[DV], Left
	RC58 WL5AA	1	Z			[L5], Right
	RC59 WL5AA	1	Z			[L5], Left
	RC58 XDVAA	1	Z			[DV], Right
	RC59 XDVAA	1	Z			[DV], Left



DODGE - CHRYSLER NEON (PL)				
SERIES	LINE	BODY	ENGINE	TRANSMISSION
L=Low Line	Z=Chrysler, RHD	41 = 4 Door,	ECB,EC0=2.0L 4 Cyl., 16V SMPI	DD5=5 Speed Manual
H=High Line	D=Dodge	104WB	ECH,EC0=2.0L 4 Cyl, 16V SOHC	DGC=3 Speed Automatic
	D=Chrysler		EJD,EJ0=1.6L 4 Cyl 16V, SOHC	DGL=4 Speed Automatic
	P=Plymouth		EBD,EB0=1.8L 4 Cyl 16V SEF	DG0=All Automatics
				DBB=All 5 Speed Manual

AR = Use as required - = Non illustrated part # = New this model year

Group – 025

Emission Systems

GROUP 25 - Emission Systems

Illustration Title

Group-Fig. No.

Emission Labels

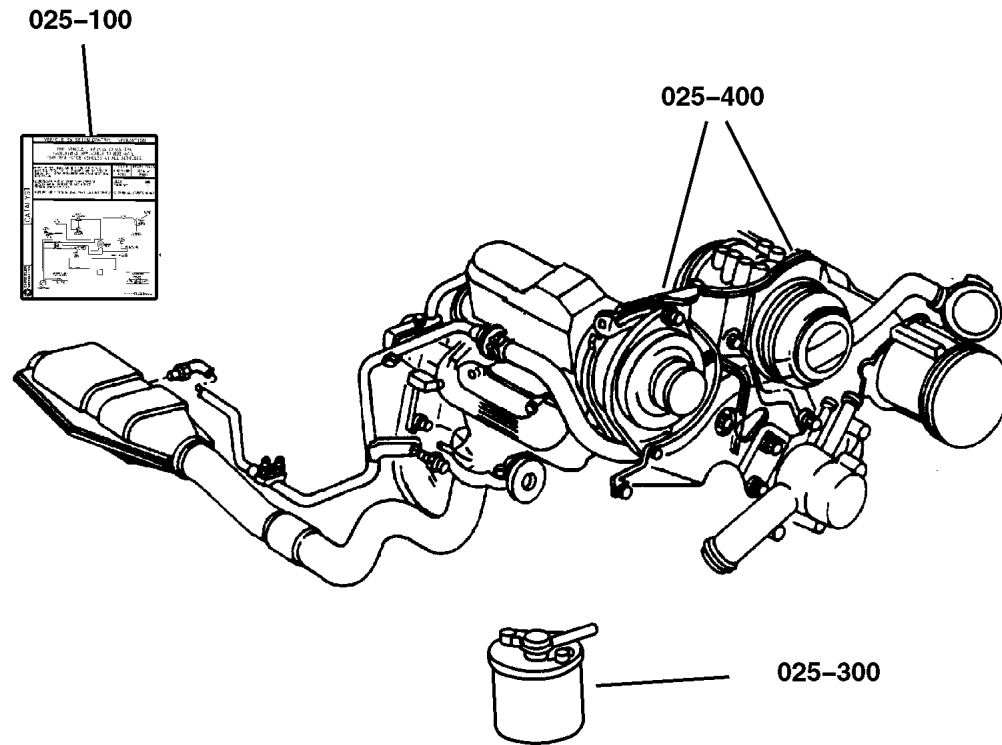
Emission Labels PL Fig. 025-101

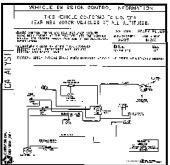
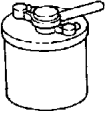
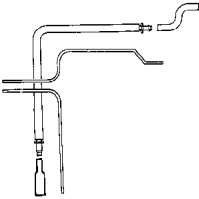
Vacuum Canister

Vapor Canister and Leak Detection Pump Fig. 025-301

Emission Harness

Emission Control Vacuum Harness PL Fig. 025-401



<p>025-100 Emission Labels</p> 	<p>025-300 Vacuum Canister</p> 	<p>025-400 Emission Harness</p> 	
---	---	---	--

Emission Labels PL
Figure 025-101

ITEM	PART NUMBER	QTY	LINE	BODY	ENGINE	TRANS	DESCRIPTION
------	-------------	-----	------	------	--------	-------	-------------

NOTE: Sales Codes n key.

[DD5]=5 Speed Manual Trans n key.

[DGC]=3 Speed Auto Trans n key.

[ECB]=2.0L Engine n key.

[ECH]=2.0L R/T Engine n key.

[NAA]=Federal Emissions n key.

[NAE]=California Emissions n key.

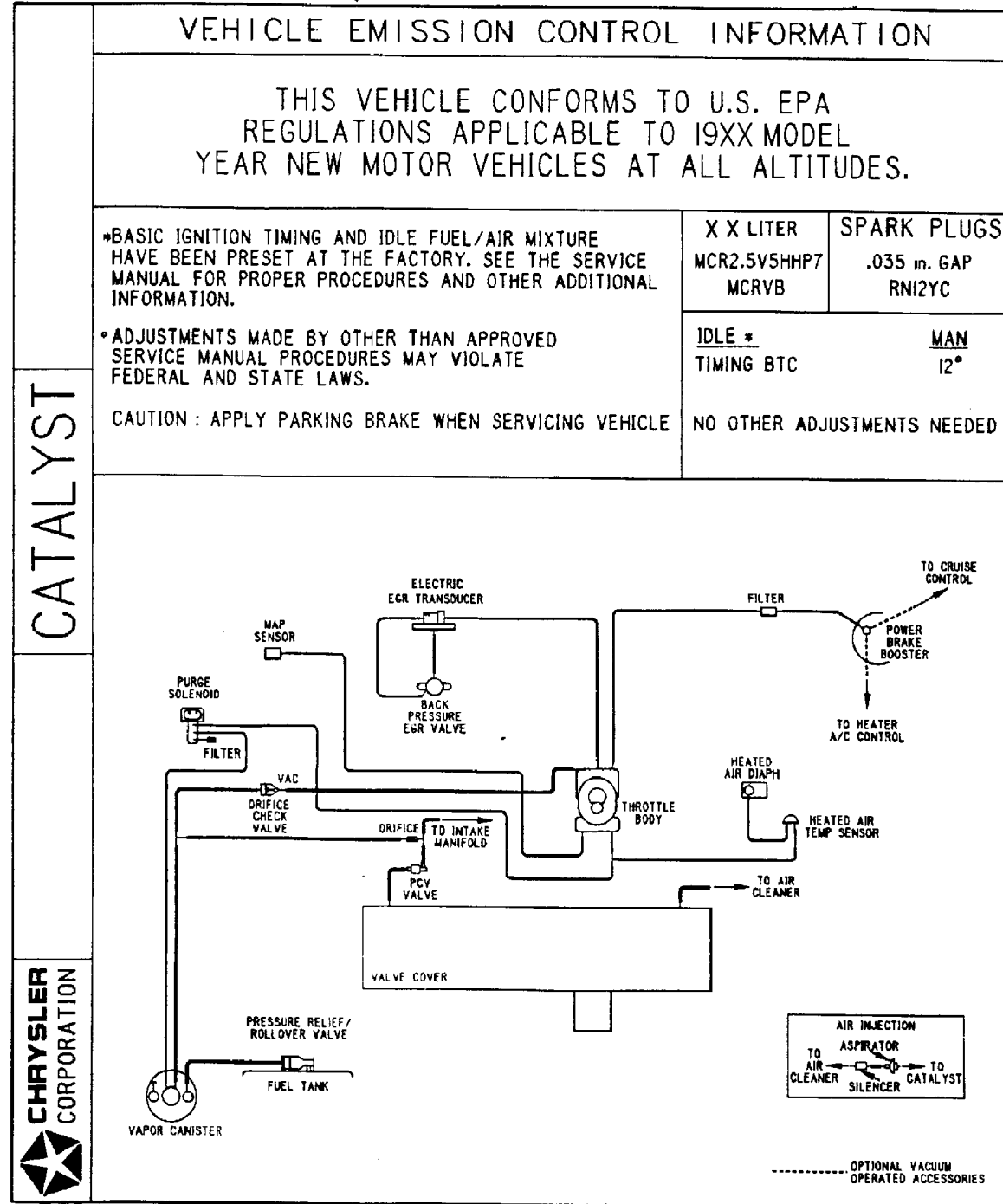
[NAS]=U.S. 50 States n key.

[NA1]=Export n key.

[NA3]=European III n key.

1					LABEL, Emission	
#5274	762AA	1		ECB	DGC	Domestic [NAA] Federal
#4891	270AA	1		ECB	DGC	Domestic [NAE] California
#4891	267AA	1		ECB, ECH	DD5	Domestic [NAS] 50 States
#4891	268AA	1		ECB	DGC	Canada [NAA] Federal
#4891	269AA	1		ECB	DGC	Canada [NAE] California
#4891	268AA	1		ECB, ECH	DD5	Canada [NAS] 50 States
#4891	271AA	1		ECB, ECH		International [NAA] [NA1] [NA3] Federal, Export, European III

1



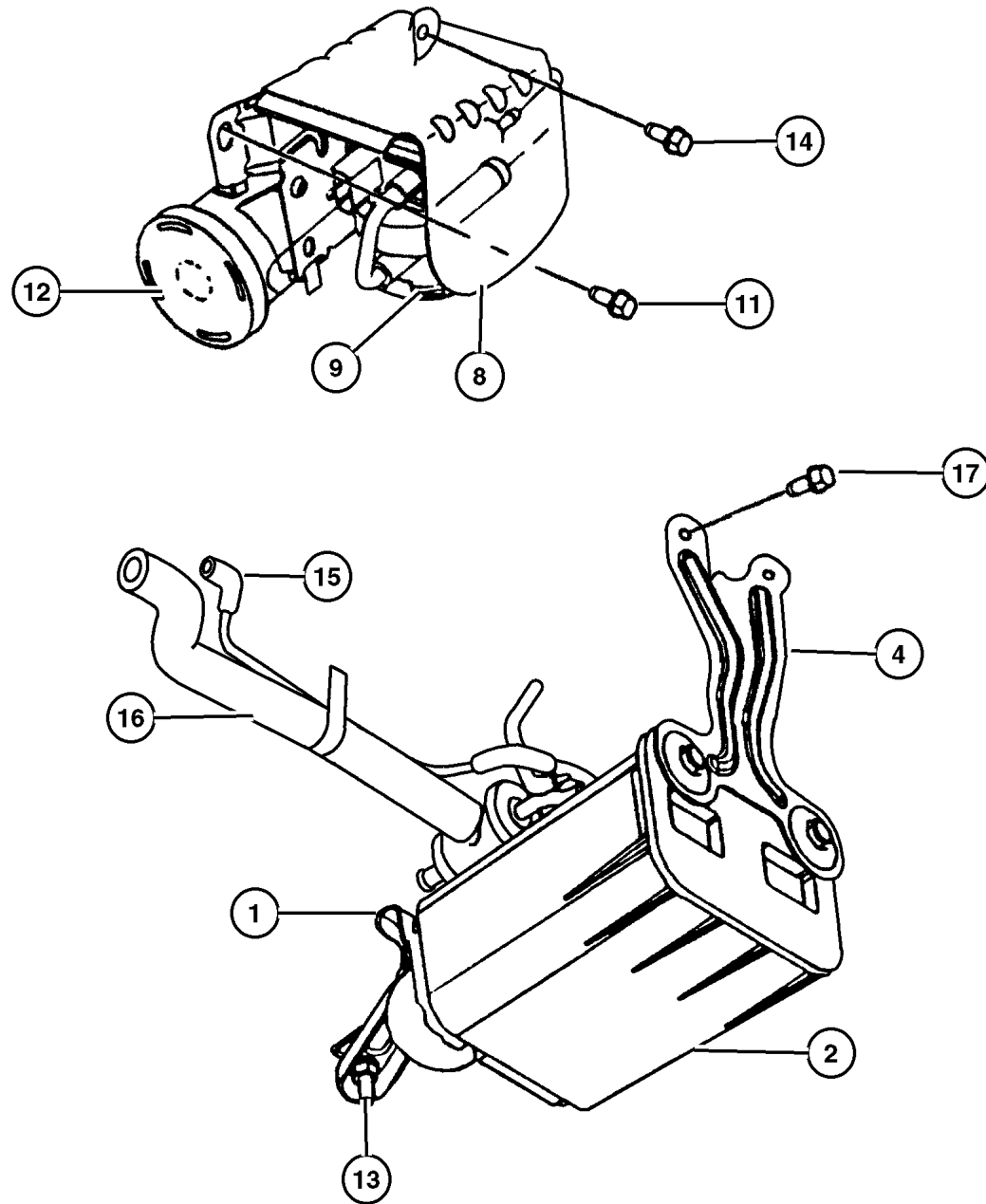
DODGE - CHRYSLER NEON (PL)

SERIES	LINE	BODY	ENGINE	TRANSMISSION
L=Low Line	Z=Chrysler, RHD	41 = 4 Door,	ECB,EC0=2.0L 4 Cyl., 16V SMPI	DD5=5 Speed Manual
H=High Line	D=Dodge	104WB	ECH,EC0=2.0L 4 Cyl, 16V SOHC	DGC=3 Speed Automatic
	D=Chrysler		EJD,EJ0=1.6L 4 Cyl 16V, SOHC	DGL=4 Speed Automatic
	P=Plymouth		EBD,EB0=1.8L 4 Cyl 16V SEF	DG0=All Automatics
				DBB=All 5 Speed Manual

AR = Use as required - = Non illustrated part # = New this model year

May 2, 2002

Vapor Canister and Leak Detection Pump Figure 025-301



ITEM	PART NUMBER	QTY	LINE	BODY	ENGINE	TRANS	DESCRIPTION
NOTE: Sales Codes n key.							
[EBD]=1.8L Engine. n key.							
[ECB]=2.0L SOHC Engine. n key.							
1	4891 024AA	1			ECB, ECH, EJD		BRACKET, Vapor Canister, Top
2	4669 869	1			ECB, ECH, EJD		CANISTER, Vapor
-3	6035 155	4					SCREW, Hex Head, .25-14x.875
4	4891 394AA	1			ECB, ECH, EJD		BRACKET, Vapor Canister, Lower
-5	6100 048	2					NUT, Hex, M6x1.00
-6	6503 951	4			ECB, ECH, EJD		STUD, M6X1.00X.250-14X30.00
-7	4695 872	1			EBD, ECB, ECH, EJD		CAP, Vent Tube
8	4891 049AB	1			ECB, ECH, EJD		BRACKET, Vent Valve Filter Mtg.
9	4891 417AB	1			ECB, ECH, EJD		PUMP, Leak Detection
-10	4891 048AC	1			ECB, ECH, EJD		HOSE, Leak Detection Pump to Filter, To Filter
11	6506 203AA	4					SCREW, Hex Head
12	4612 901	1			ECB, ECH, EJD		FILTER, Fuel Vapor Vent
13	6101 695	1			ECB, ECH, EJD		NUT, Hex Flange Lock, M8x1.25
14	6102 132AA	1					SCREW, Hex Head, M6x1x20
15	4891 060AC	1			ECB, ECH, EJD		HARNES, Vacuum, Leak Detection Pump

DODGE - CHRYSLER NEON (PL)

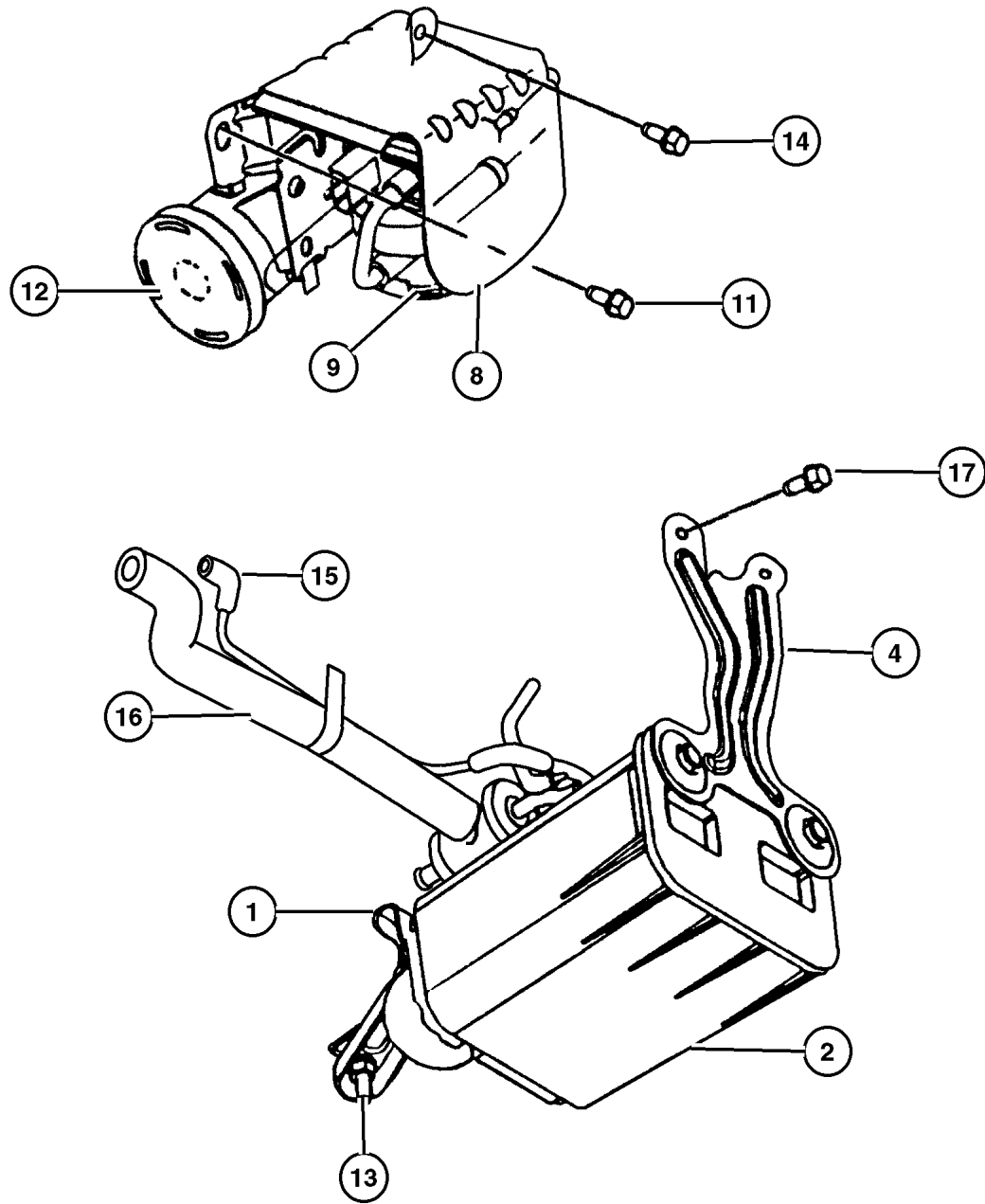
SERIES	LINE	BODY	ENGINE	TRANSMISSION
L=Low Line	Z=Chrysler, RHD	41 = 4 Door,	ECB,EC0=2.0L 4 Cyl., 16V SMPI	DD5=5 Speed Manual
H=High Line	D=Dodge	104WB	ECH,EC0=2.0L 4 Cyl, 16V SOHC	DGC=3 Speed Automatic
	D=Chrysler		EJD,EJ0=1.6L 4 Cyl 16V, SOHC	DGL=4 Speed Automatic
	P=Plymouth		EBD,EB0=1.8L 4 Cyl 16V SEF	DG0=All Automatics
				DBB=All 5 Speed Manual

AR = Use as required - = Non illustrated part # = New this model year

May 2, 2002

Vapor Canister and Leak Detection Pump
Figure 025-301

ITEM	PART NUMBER	QTY	LINE	BODY	ENGINE	TRANS	DESCRIPTION
16	4891 047AC	1			ECB, ECH, EJD		HOSE, Leak Detection Pump to Canister
17	6101 976	2			ECB, ECH, EJD		SCREW, Hex Flange Head, M6.3x1.81x16

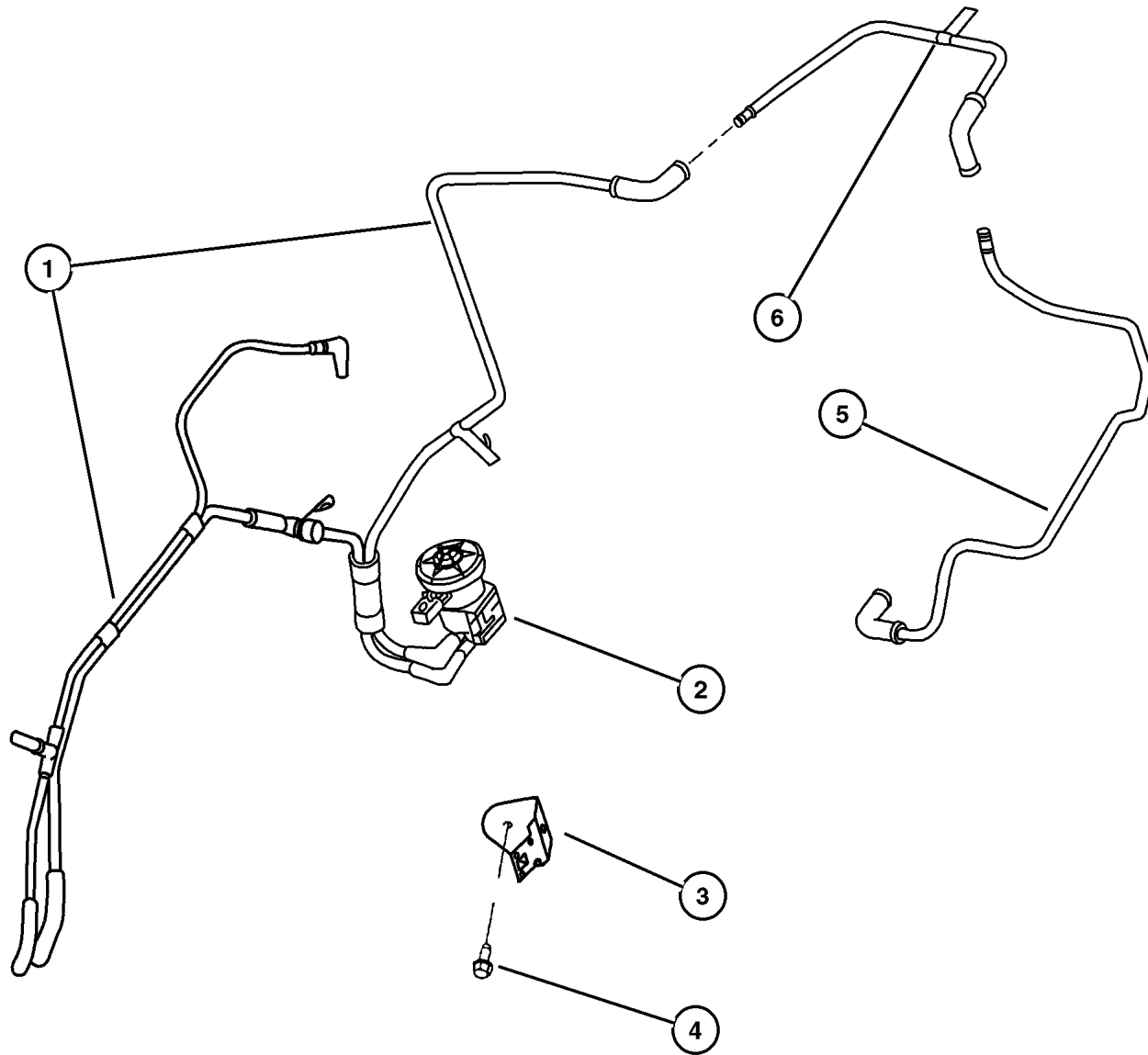


DODGE - CHRYSLER NEON (PL)				
SERIES	LINE	BODY	ENGINE	TRANSMISSION
L=Low Line	Z=Chrysler, RHD	41 = 4 Door,	ECB,EC0=2.0L 4 Cyl., 16V SMPI	DD5=5 Speed Manual
H=High Line	D=Dodge	104WB	ECH,EC0=2.0L 4 Cyl, 16V SOHC	DGC=3 Speed Automatic
	D=Chrysler		EJD,EJ0=1.6L 4 Cyl 16V, SOHC	DGL=4 Speed Automatic
	P=Plymouth		EBD,EB0=1.8L 4 Cyl 16V SEF	DG0=All Automatics
				DBB=All 5 Speed Manual

AR = Use as required - = Non illustrated part # = New this model year

May 2, 2002

**Emission Control Vacuum Harness PL
Figure 025-401**



ITEM	PART NUMBER	QTY	LINE	BODY	ENGINE	TRANS	DESCRIPTION
------	-------------	-----	------	------	--------	-------	-------------

NOTE: Sales Codes n key.

[EBD]=1.8L Engine n key.

[ECB]=2.0L Engine n key.

[ECH]=2.0L R/T Engine n key.

[EJD]=1.6L Engine n key.

1	4891 298AC	1					HARNESS, Vapor Purge Domestic and Tiawan
	4891 300AC	1	Z		EBD, ECB,		Right Hand Drive, Right Hand Drive
	4891 303AC	1	D, P		ECH, EJD, EBD, ECB,		International, Mexico, exclude Tiawan
	#4891 327AB	1			ECH EJD		
2	4669 569	1					SOLENOID, Proportional Purge
3	4891 044AB	1					BRACKET, Proportional Purge Solenoid
4	6102 132AA	1					SCREW, Hex Head, M6x1x20
5	4891 077AE	1			EBD, ECB,		HARNESS, Proportional Purge Solenoid
	#4891 328AB	1	D, P		ECH EJD		
6	4891 455AB	1					HARNESS, Proportional Purge Solenoid

DODGE - CHRYSLER NEON (PL)

SERIES	LINE	BODY	ENGINE	TRANSMISSION
L=Low Line	Z=Chrysler, RHD	41 = 4 Door,	ECB,EC0=2.0L 4 Cyl., 16V SMPI	DD5=5 Speed Manual
H=High Line	D=Dodge	104WB	ECH,EC0=2.0L 4 Cyl, 16V SOHC	DGC=3 Speed Automatic
	D=Chrysler		EJD,EJ0=1.6L 4 Cyl 16V, SOHC	DGL=4 Speed Automatic
	P=Plymouth		EBD,EB0=1.8L 4 Cyl 16V SEF	DG0=All Automatics
				DBB=All 5 Speed Manual

AR = Use as required - = Non illustrated part # = New this model year

May 2, 2002

Group – DPL

Doors and Related Parts

GROUP DPL - Doors and Related Parts

Illustration Title

Group-Fig. No.

Front Door

Door, Front Shell and Hinges Fig. DPL-105

Door, Front Regulator, Glass, Handle and Locking Fig. DPL-107

Rear Door

Door, Rear Shell and Hinges Fig. DPL-205

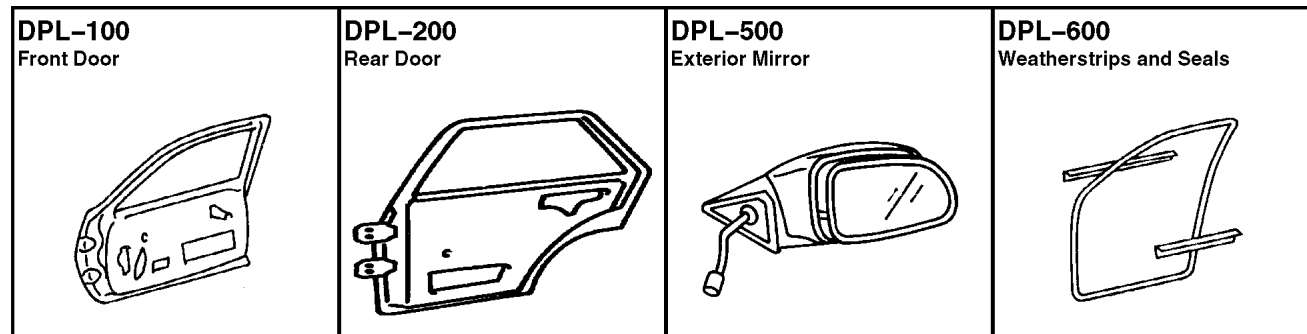
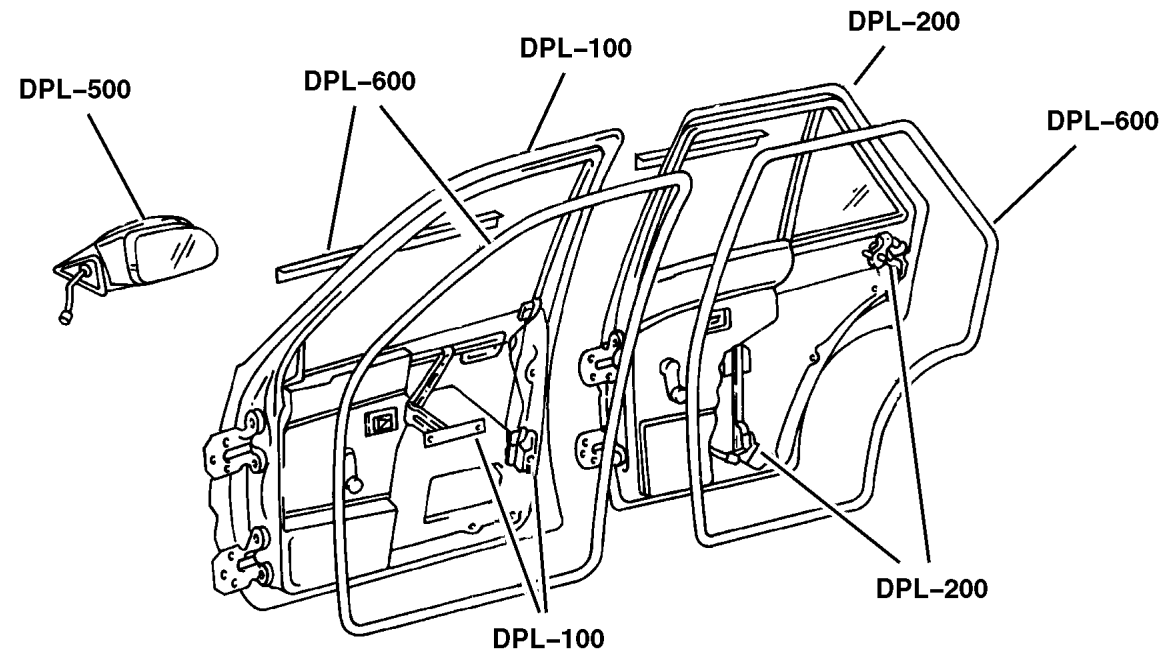
Door, Rear Regulator, Glass, Handle and Locking Fig. DPL-207

Exterior Mirror

Mirror, Exterior Fig. DPL-505

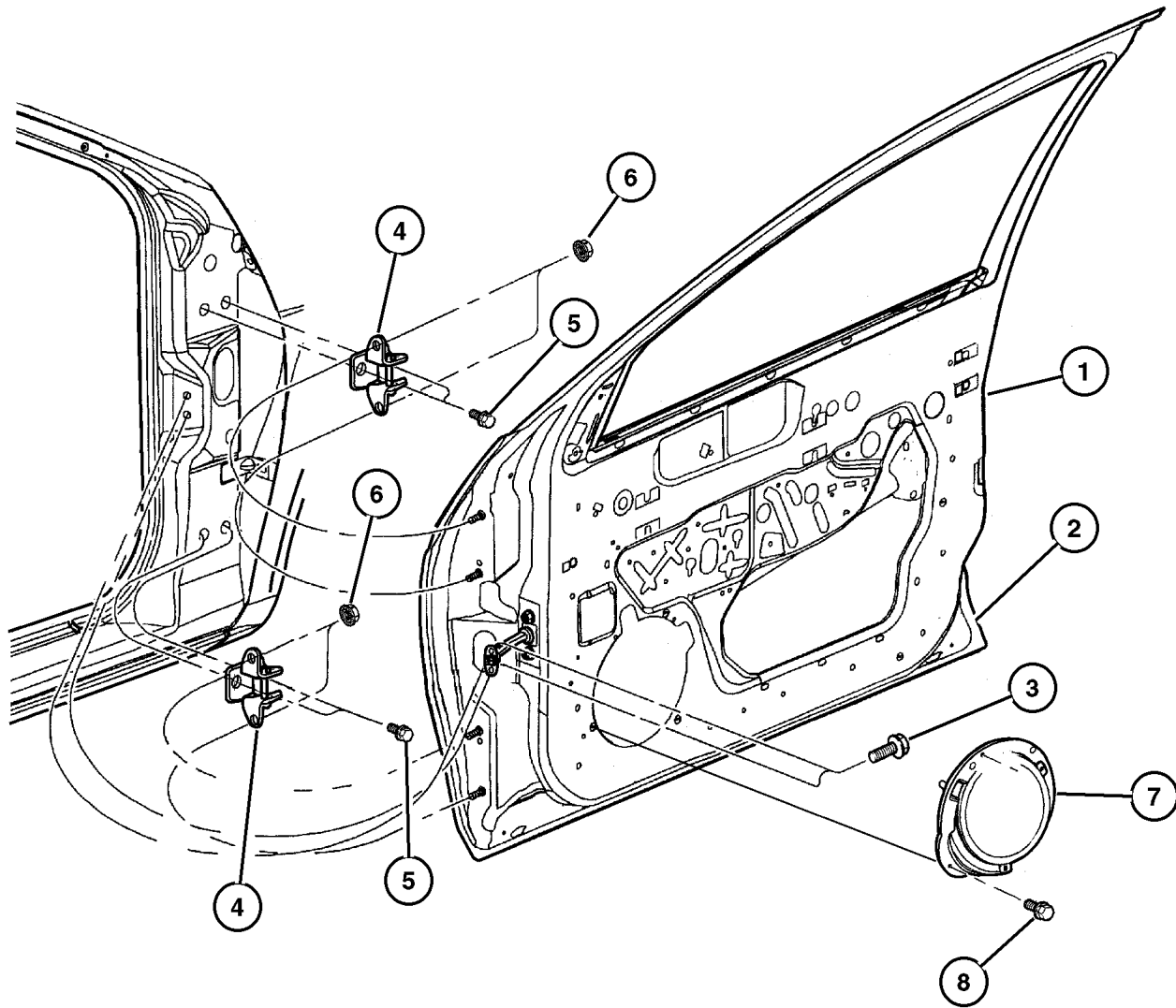
Weatherstrips and Seals

Door, Front and Rear Fig. DPL-605



Door, Front Shell and Hinges
Figure DPL-105

ITEM	PART NUMBER	QTY	LINE	SERIES	BODY	DESCRIPTION
1						DOOR, Front
	5012 460AH	1				Right
	5012 461AH	1				Left
2						PANEL, Door Outer
	4783 632	1				Right
	4783 633	1				Left
3						SCREW, M6 x 1.00 x 25.00, (NOT SERVICED)
4						HINGE, Front Door
	4783 646AC	2				Lower Left,Upper Right
	4783 648AC	2				Upper Left,Lower Right
5	6505 082AA	11				SCREW AND WASHER, Hex Head, M8x1.25x54, Hinge Attaching
6	6505 591AA	16				NUT & WASHER, M8x1.25, Hinge Attaching
7						SPEAKER, Front Door
	4794 030AC	1				Right
	4794 031AC	1				Left
8	6032 723	4				SCREW, Self Tapping, M4.2x1.69x19.05
-9	5256 594	1				LABEL, Lift Point
-10						LABEL, Child Protection Lock, English
	4396 978	2				Window
	4490 361	2				French, Window
	4615 722AB	2				Door
	4615 723	2				French, Door

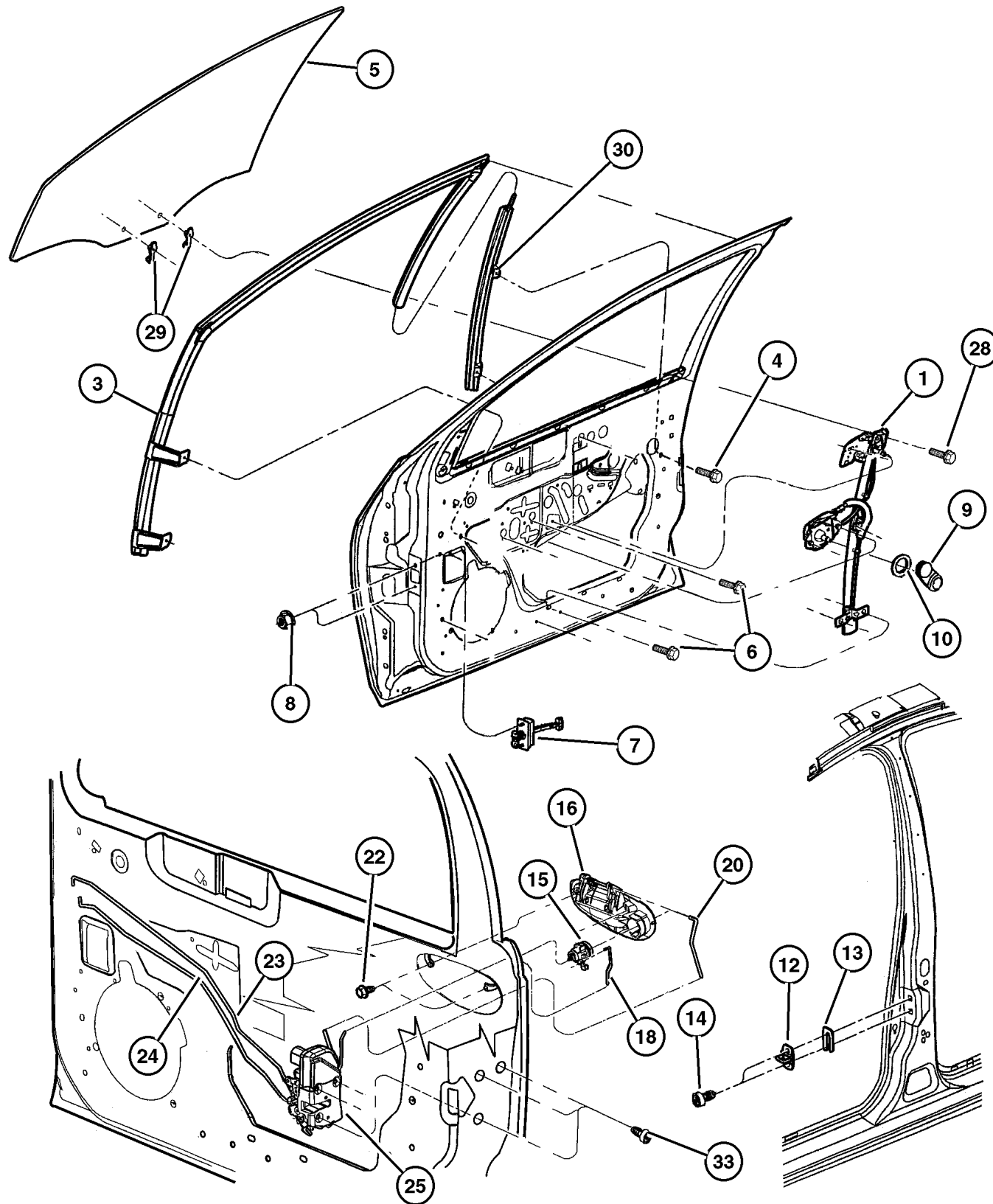


DODGE - CHRYSLER NEON (PL)				
SERIES	LINE	BODY	ENGINE	TRANSMISSION
L=Low Line	Z=Chrysler, RHD	41 = 4 Door,	ECB,EC0=2.0L 4 Cyl., 16V SMPI	DD5=5 Speed Manual
H=High Line	D=Dodge	104WB	ECH,EC0=2.0L 4 Cyl, 16V SOHC	DGC=3 Speed Automatic
	D=Chrysler		EJD,EJ0=1.6L 4 Cyl 16V, SOHC	DGL=4 Speed Automatic
	P=Plymouth		EBD,EB0=1.8L 4 Cyl 16V SEF	DG0=All Automatics
				DBB=All 5 Speed Manual

AR = Use as required - = Non illustrated part # = New this model year

May 2, 2002

**Door, Front Regulator, Glass, Handle and Locking
Figure DPL-107**



ITEM	PART NUMBER	QTY	LINE	SERIES	BODY	DESCRIPTION
1						REGULATOR, Front Door Window
	5008 038AA	1				Manual, Right
	5008 039AA	1				Manual, Left
	5015 216AC	1				Power (w/o Motor), Right
	5015 217AC	1				Power (w/o Motor), Left
-2						MOTOR, Window Regulator
	5015 218AC	1				Right
	5015 219AC	1				Left
3						WEATHERSTRIP, Front Door Glass Run
	#5008 576AA	1				Right
	#5008 577AA	1				Left
4	6506 256AA	4				SCREW AND WASHER, Hex Head, M6x1x20, Glass Run
5						GLASS, Front Door
	5008 114AA	1				Right
	5008 115AA	1				Left
6	6505 298AA	6				SCREW AND WASHER, Hex Head, M6x1x18, Regulator Attaching
7						CHECK, Front Door
	4783 590AC	1				Right
	4783 591AC	1				Left
8	6503 504	4				NUT AND WASHER, Hex, M6x1
9						HANDLE, Window Regulator
	FW80 WL5	2				[L5]
	FW80 XDV	2	D, P			[DV]
10						SPACER, Window Regulator
	GY80 WL5	2				[L5]
	GY80 XDV	2				[DV]
-11						BEZEL, Power Window Switch
	QQ32 WL5AC	1	D, P			[L5], Right
	QQ32 XDVAC	1	D, P			[DV], Right
	QQ39 WL5AC	1	D, P			Power Mirror,[L5], Left
	QQ39 XDVAC	1	D, P			Power Mirror,[DV], Left
	QQ49 WL5AC	1	Z			[L5], Right
	QQ40 WL5AC	1	Z			[L5], Left
	QQ49 XDVAC	1	Z			[DV], Right
12	4780 259	2				STRIKER, Door
13	4520 289	AR				SPACER, Door Latch Striker
14	6503 120	4				SCREW AND WASHER, Button Head Torx, Striker Attaching
15	5011 040AA	1				CYLINDER, Door Lock
16						HANDLE, Front Door Exterior
	QA38 DX8AB	1				[X8], Right
	QA39 DX8AB	1				[X8], Left
	QA38 PR4AB	1				[R4], Right

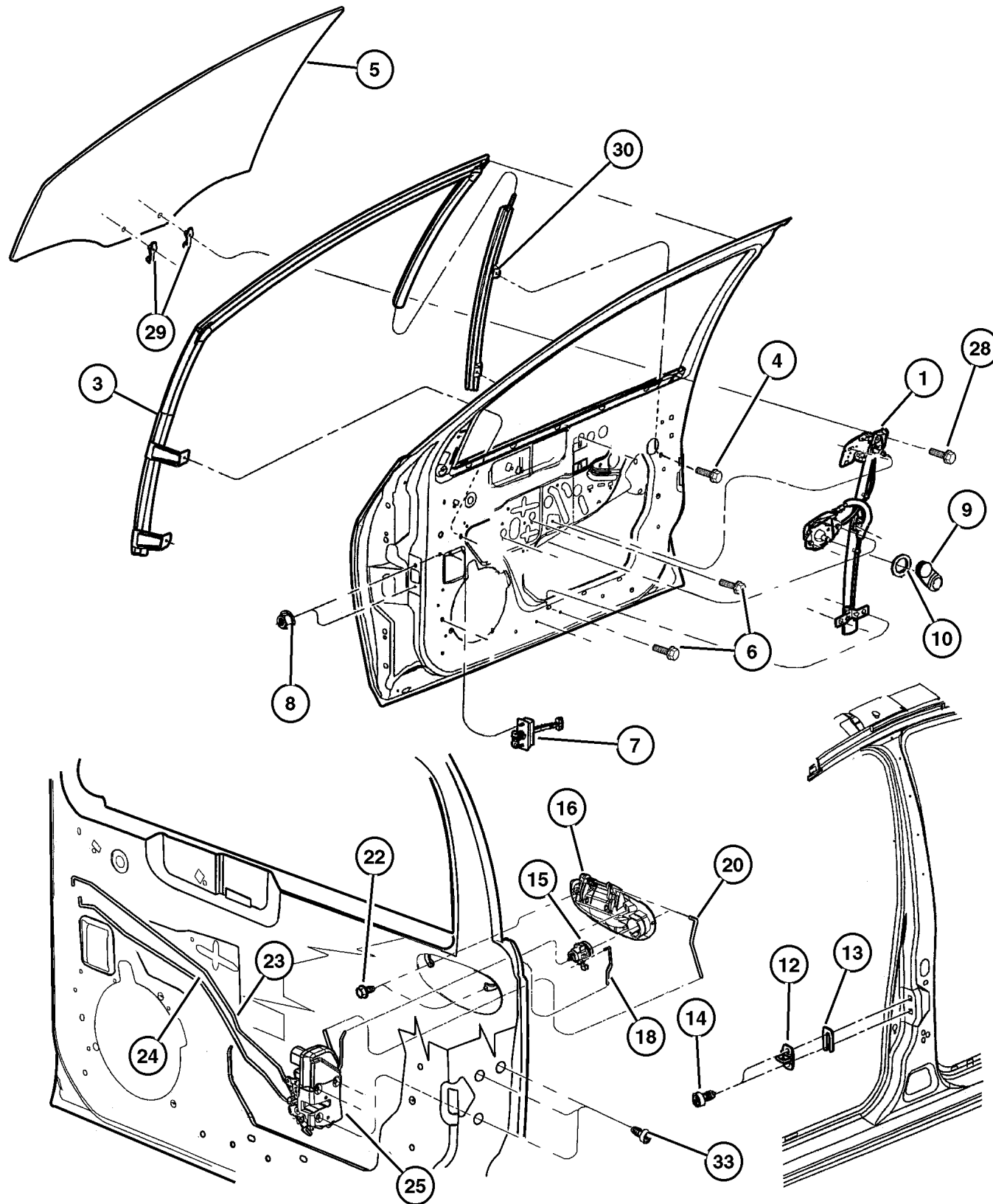
DODGE - CHRYSLER NEON (PL)

SERIES	LINE	BODY	ENGINE	TRANSMISSION
L=Low Line	Z=Chrysler, RHD	41 = 4 Door,	ECB,EC0=2.0L 4 Cyl., 16V SMPI	DD5=5 Speed Manual
H=High Line	D=Dodge	104WB	ECH,EC0=2.0L 4 Cyl, 16V SOHC	DGC=3 Speed Automatic
	D=Chrysler		EJD,EJ0=1.6L 4 Cyl 16V, SOHC	DGL=4 Speed Automatic
	P=Plymouth		EBD,EB0=1.8L 4 Cyl 16V SEF	DG0=All Automatics
				DBB=All 5 Speed Manual

AR = Use as required - = Non illustrated part # = New this model year

May 2, 2002

Door, Front Regulator, Glass, Handle and Locking
Figure DPL-107



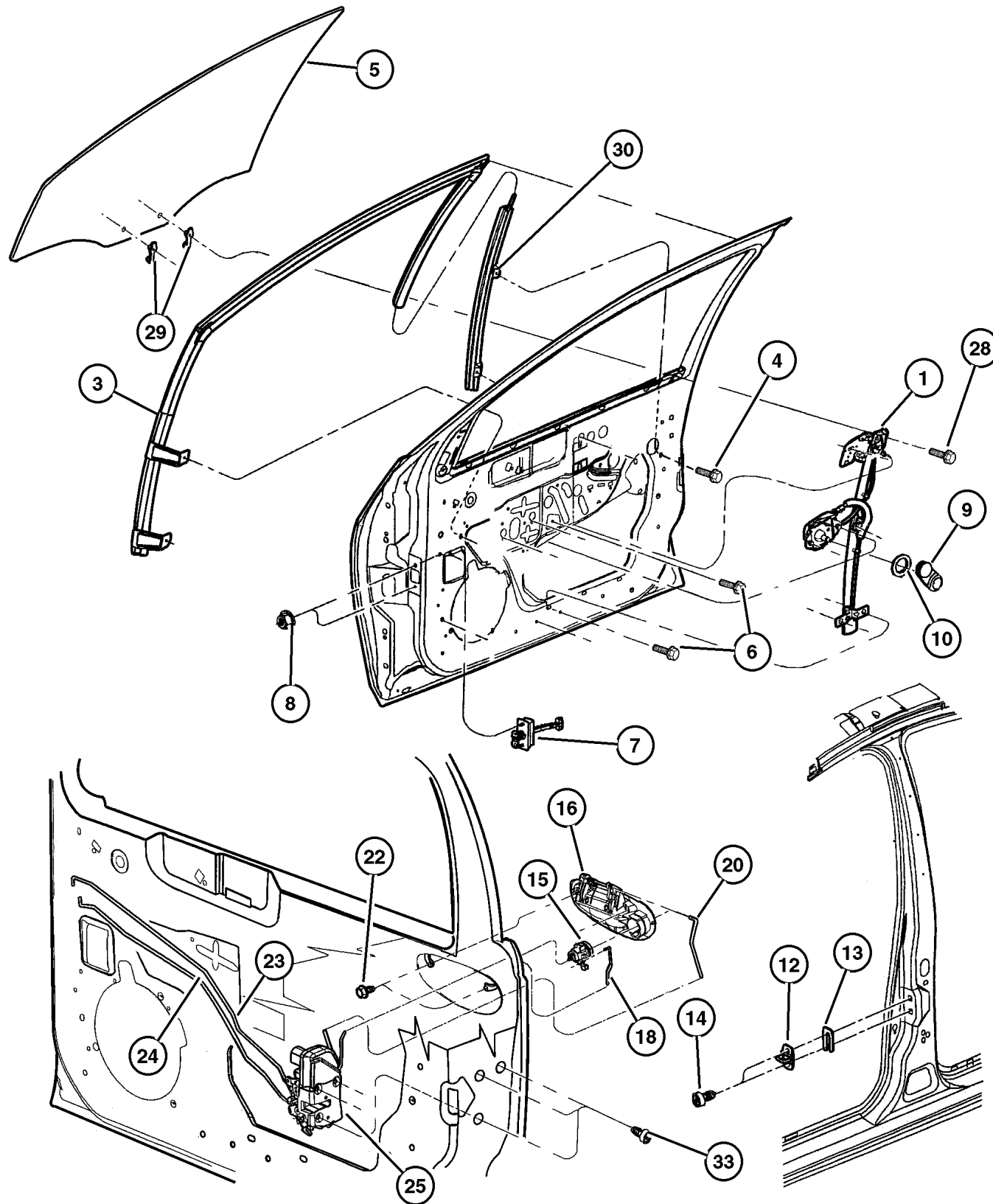
ITEM	PART NUMBER	QTY	LINE	SERIES	BODY	DESCRIPTION
	QA39 PR4AB	1				[R4], Left
	QA38 VLBAB	1				[LB], Right
	QA39 VLBAB	1				[LB], Left
	QA38 WB7AB	1				[B7], Right
	QA39 WB7AB	1				[B7], Left
	QA38 WE5AB	1				[E5], Right
	QA39 WE5AB	1				[E5], Left
	QA38 WS2AB	1				[S2], Right
	QA39 WS2AB	1				[S2], Left
	QA38 SW1AB	1				[W1], Right
	QA39 SW1AB	1				[W1], Left
	QA38 XBQAB	1				[BQ], Right
	QA39 XBQAB	1				[BQ], Left
	QA38 XGRAB	1				[GR], Right
	QA39 XGRAB	1				[GR], Left
	QA38 XRVAB	1				[RV], Right
	QA39 XRVAB	1				[RV], Left
-17						HANDLE, Inside Remote Control
	SH96 WL5AA	1				[L5] - Chrome Handle, Right
	SH97 WL5AA	1				[L5] - Chrome Handle, Left
	SH96 XDVAA	1				[DV] - Chrome Handle, Right
	SH97 XDVAA	1				[DV] - Chrome Handle, Left
18						LINK, Key Cylinder To Latch
	4783 570	1				Right
	4783 571	1				Left
-19						CLIP, Latch
	4658 444	1				Right
	4658 445	1				Left
20						LINK, Outside Handle To Latch, Front Door
	4783 572	1				Right
	4783 573	1				Left
-21						CLIP, Latch Link
	4658 674	1				Red, Right
	4658 675	1				Green, Left
22	6505 533AA	4				SCREW, Hex Flange Head Tapping, M4.8 x 1.59 x 14.00
23						LINK, Key Cylinder To Latch
	4888 834AB	1				Right
	4888 835AB	1				Left
24						LINK, Front Door Inside Remote Control to Latch
	4783 518AB	1				Right
	4783 519AB	1				Left
25						LATCH, Front Door
	#5008 620AA	1				Power, Right

DODGE - CHRYSLER NEON (PL)				
SERIES	LINE	BODY	ENGINE	TRANSMISSION
L=Low Line	Z=Chrysler, RHD	41 = 4 Door,	ECB,EC0=2.0L 4 Cyl., 16V SMPI	DD5=5 Speed Manual
H=High Line	D=Dodge	104WB	ECH,EC0=2.0L 4 Cyl, 16V SOHC	DGC=3 Speed Automatic
	D=Chrysler		EJD,EJ0=1.6L 4 Cyl 16V, SOHC	DGL=4 Speed Automatic
	P=Plymouth		EBD,EB0=1.8L 4 Cyl 16V SEF	DG0=All Automatics
				DBB=All 5 Speed Manual

AR = Use as required - = Non illustrated part # = New this model year

May 2, 2002

**Door, Front Regulator, Glass, Handle and Locking
Figure DPL-107**



ITEM	PART NUMBER	QTY	LINE	SERIES	BODY	DESCRIPTION
	#5008 621AA	1				Power, Left
	#5008 626AA	1				Manual, Right
	#5008 627AA	1				Manual, Left
-26	6033 876	6				SCREW, Tapping, M6.3x1.8x38.1, Latch to Door Inner Panel
-27	6503 968	6				NUT AND WASHER, Hex, M6x1, Regulator Motor Attaching
28	6505 518AA	4				SCREW TAPPING & WASHER, Hex Head, M6.3 x 2.54 x 20.00
29	5008 055AA	4				RETAINER, Glass to Liftplate
30						WEATHERSTRIP, Front Door Glass Run
	5257 962AE	1				Right
	5257 963AE	1				Left
-31	6505 591AA	16				NUT & WASHER, M8x1.25, Weatherstrip
-32	6032 723	4				SCREW, Self Tapping, M4.2x1.69x19.05, Inside Remote Mounting, Inside Remote Mounting
33	6033 876	6				SCREW, Tapping, M6.3x1.8x38.1

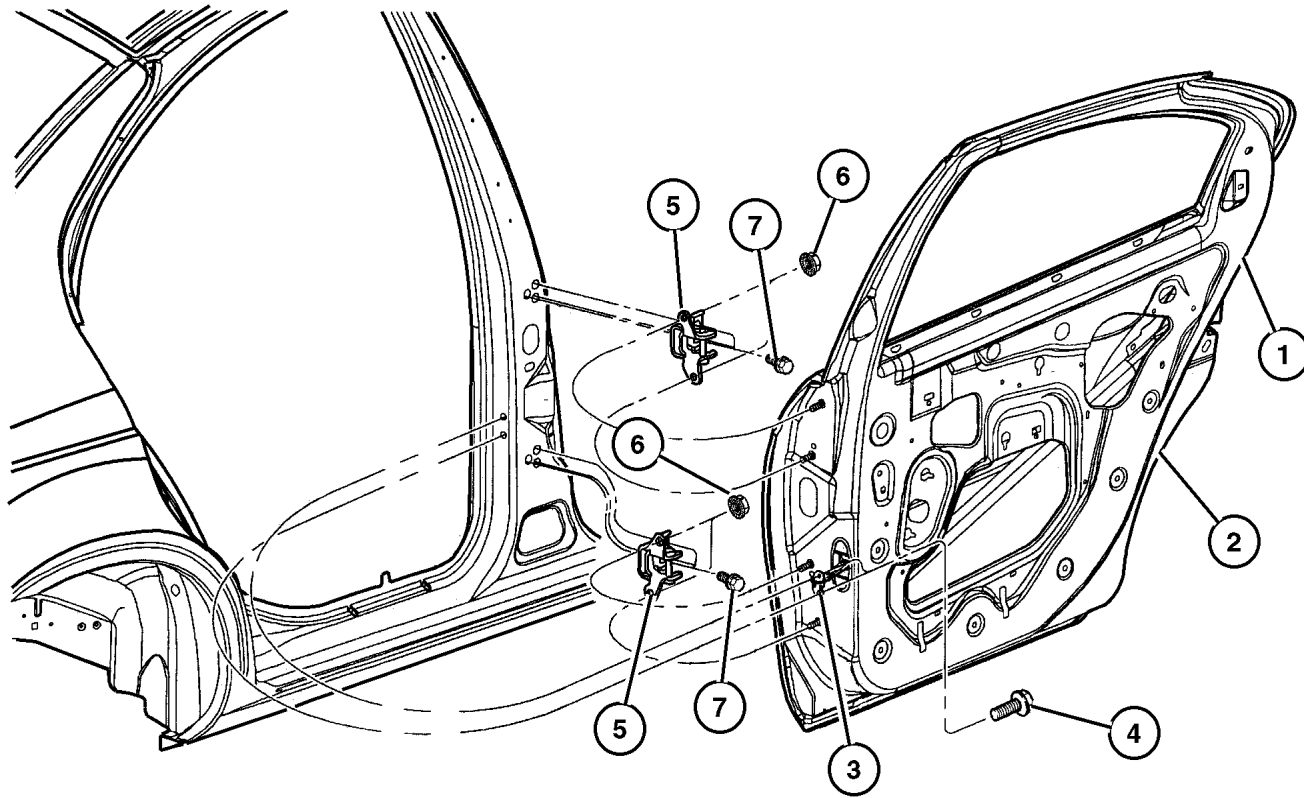
DODGE - CHRYSLER NEON (PL)				
SERIES	LINE	BODY	ENGINE	TRANSMISSION
L=Low Line	Z=Chrysler, RHD	41 = 4 Door,	ECB,EC0=2.0L 4 Cyl., 16V SMPI	DD5=5 Speed Manual
H=High Line	D=Dodge	104WB	ECH,EC0=2.0L 4 Cyl, 16V SOHC	DGC=3 Speed Automatic
	D=Chrysler		EJD,EJ0=1.6L 4 Cyl 16V, SOHC	DGL=4 Speed Automatic
	P=Plymouth		EBD,EB0=1.8L 4 Cyl 16V SEF	DG0=All Automatics
				DBB=All 5 Speed Manual

AR = Use as required - = Non illustrated part # = New this model year

May 2, 2002

**Door, Rear Shell and Hinges
Figure DPL-205**

ITEM	PART NUMBER	QTY	LINE	SERIES	BODY	DESCRIPTION
1						DOOR, Rear
	5012 462AF	1				Right
	5012 463AF	1				Left
2						PANEL, Door Outer
	4783 628	1				Right
	4783 629	1				Left
3						CHECK, Rear Door
	4783 516AB	1				Right
	4783 517AB	1				Left
4						SCREW, M6X1.00X25.00~~, (NOT SERVICED)
5						HINGE, Rear Door
	4783 788AB	2				Upper Right,Lower Left
	4783 806AC	2				Lower Right,Upper Left
6	6505 591AA	16				NUT & WASHER, M8x1.25, Hinge Attaching
7	6505 082AA	6				SCREW AND WASHER, Hex Head, M8x1.25x54, Hinge Attaching
-8						LABEL, Child Protection Lock, English
	4396 978	2				Window
	4490 361	2				French, Window
	4615 722AB	2				Door
	4615 723	2				French, Door



DODGE - CHRYSLER NEON (PL)				
SERIES	LINE	BODY	ENGINE	TRANSMISSION
L=Low Line	Z=Chrysler, RHD	41 = 4 Door,	ECB,EC0=2.0L 4 Cyl., 16V SMPI	DD5=5 Speed Manual
H=High Line	D=Dodge	104WB	ECH,EC0=2.0L 4 Cyl, 16V SOHC	DGC=3 Speed Automatic
	D=Chrysler		EJD,EJ0=1.6L 4 Cyl 16V, SOHC	DGL=4 Speed Automatic
	P=Plymouth		EBD,EB0=1.8L 4 Cyl 16V SEF	DG0=All Automatics
				DBB=All 5 Speed Manual

AR = Use as required - = Non illustrated part # = New this model year

May 2, 2002

Door, Rear Regulator, Glass, Handle and Locking
Figure DPL-207

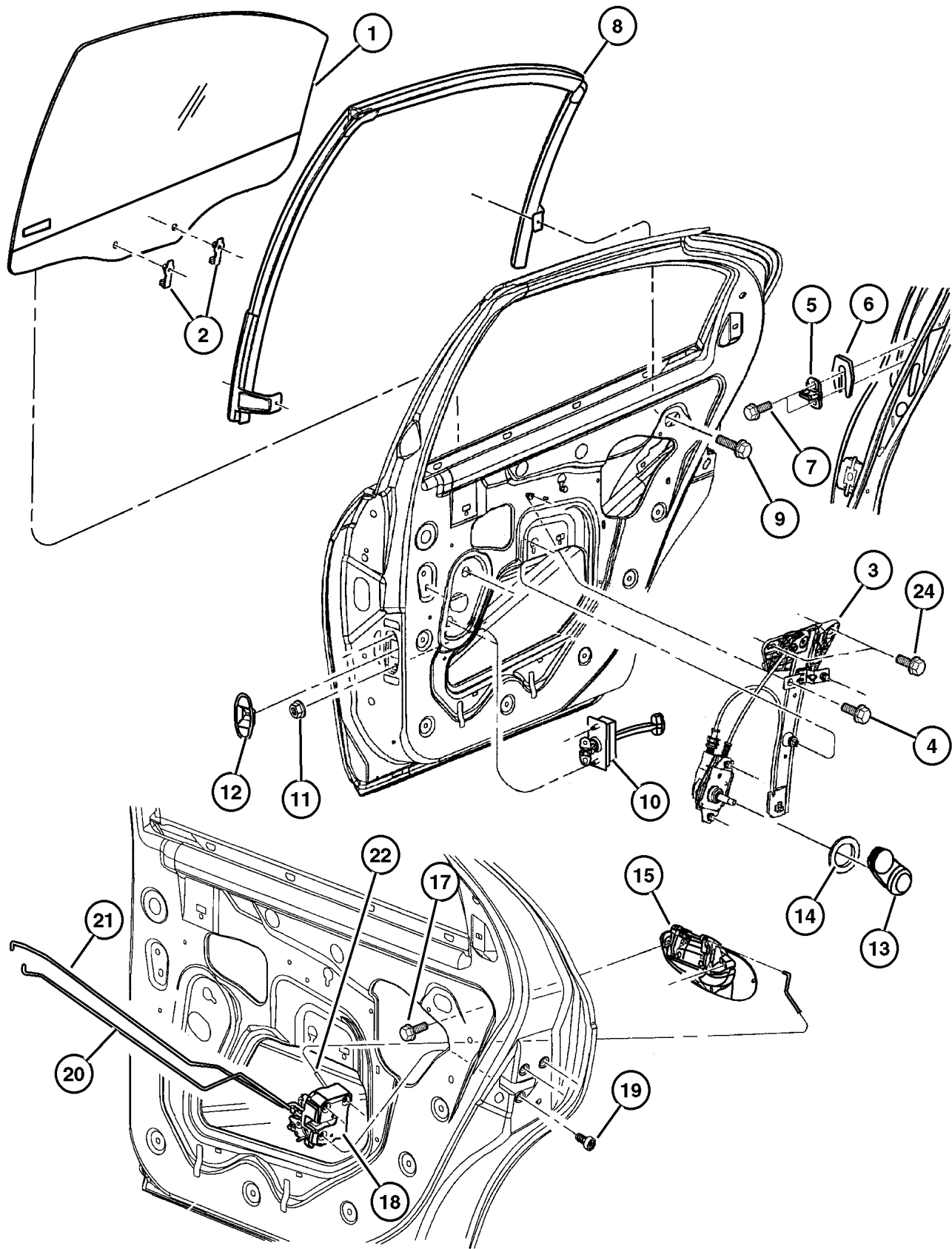
ITEM	PART NUMBER	QTY	LINE	SERIES	BODY	DESCRIPTION
1						GLASS, Rear Door
	5008 116AA	1				Right
	5008 117AA	1				Left
2	5008 055AA	4				RETAINER, Glass to Liftplate
3						REGULATOR, Rear Door Window
	5008 036AA	1				Right
	5008 037AA	1				Left
4	6505 298AA	6				SCREW AND WASHER, Hex Head, M6x1x18
5	4780 259	2				STRIKER, Door
6	4520 289	AR				SPACER, Door Latch Striker
7	6503 120	4				SCREW AND WASHER, Button Head Torx
8						WEATHERSTRIP, Rear Door Glass Run
	#5008 578AA	1				Right
	#5008 579AA	1				Left
9	6506 256AA	4				SCREW AND WASHER, Hex Head, M6x1x20
10						CHECK, Rear Door
	4783 516AB	1				Right
	4783 517AB	1				Left
11	6503 504	4				NUT AND WASHER, Hex, M6x1
12	4888 929AB	2				SEAL, B-Pillar, Check Strap
13						HANDLE, Window Regulator
	FW80 WL5	2				[L5]
	FW80 XDV	2				[DV]
14						SPACER, Window Regulator
	GY80 WL5	2				[L5]
	GY80 XDV	2				[DV]
15						HANDLE, Rear Door Exterior
	QA50 DX8AB	1				[X8], Right
	QA51 DX8AC	1				[X8], Left
	QA50 PR4AB	1				[R4], Right
	QA51 PR4AC	1				[R4], Left
	QA50 VLBAB	1				[LB], Right
	QA51 VLBAC	1				[LB], Left
	QA50 WB7AB	1				[B7], Right
	QA51 WB7AC	1				[B7], Left
	QA50 WE5AB	1				[E5], Right
	QA51 WE5AC	1				[E5], Left
	QA50 WS2AB	1				[S2], Right
	QA51 WS2AC	1				[S2], Left
	QA50 SW1AB	1				[W1], Right
	QA51 SW1AC	1				[W1], Left
	QA50 XBQAB	1				[BQ], Right
	QA51 XBQAC	1				[BQ], Left

DODGE - CHRYSLER NEON (PL)

SERIES	LINE	BODY	ENGINE	TRANSMISSION
L=Low Line	Z=Chrysler, RHD	41 = 4 Door,	ECB,EC0=2.0L 4 Cyl., 16V SMPI	DD5=5 Speed Manual
H=High Line	D=Dodge	104WB	ECH,EC0=2.0L 4 Cyl, 16V SOHC	DGC=3 Speed Automatic
	D=Chrysler		EJD,EJ0=1.6L 4 Cyl 16V, SOHC	DGL=4 Speed Automatic
	P=Plymouth		EBD,EB0=1.8L 4 Cyl 16V SEF	DG0=All Automatics
				DBB=All 5 Speed Manual

AR = Use as required - = Non illustrated part # = New this model year

May 2, 2002



Door, Rear Regulator, Glass, Handle and Locking
Figure DPL-207

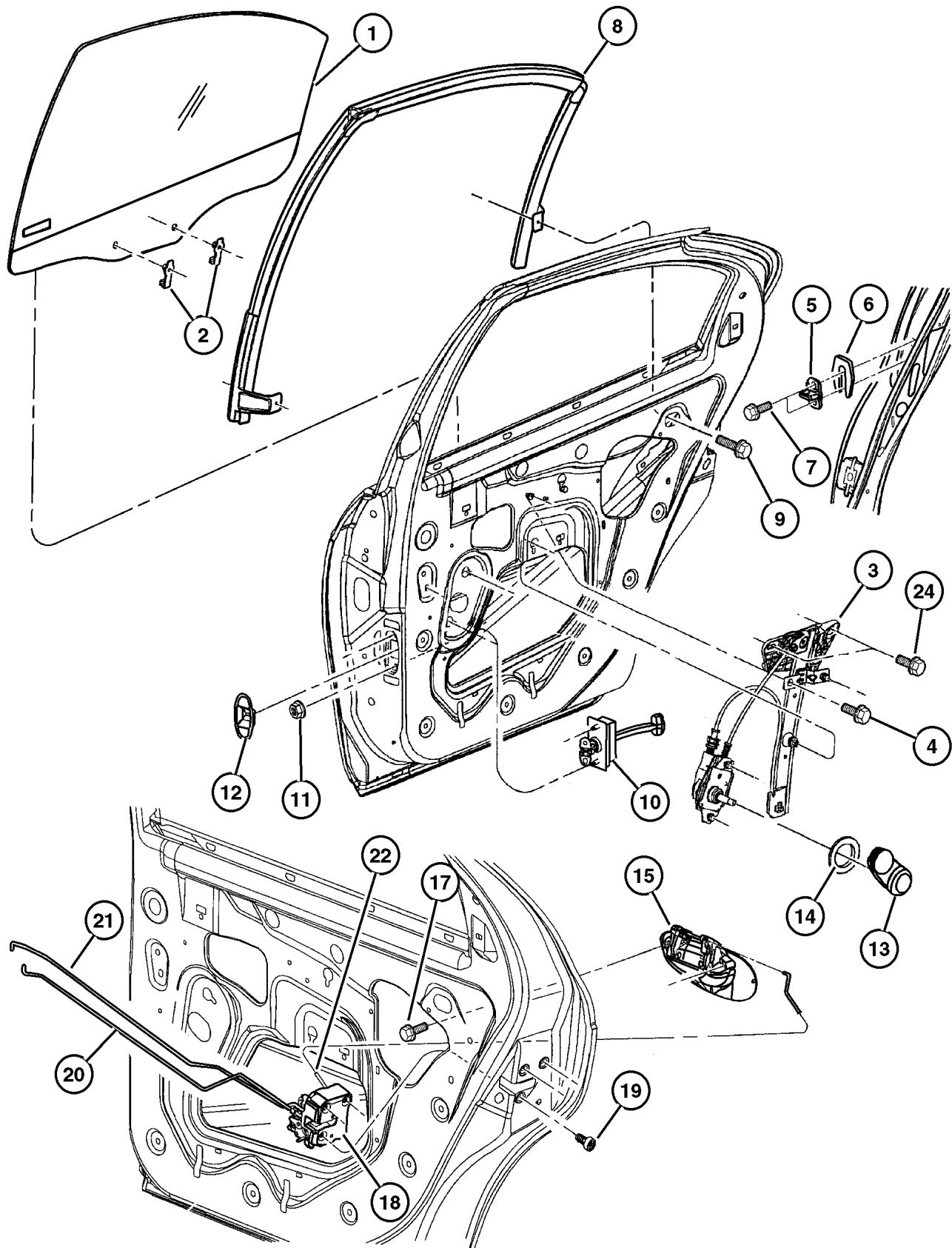
ITEM	PART NUMBER	QTY	LINE	SERIES	BODY	DESCRIPTION
	QA50 XGRAB	1				[GR], Right
	QA51 XGRAC	1				[GR], Left
	QA50 XRVAB	1				[RV], Right
	QA51 XRVAC	1				[RV], Left
-16						HANDLE, Inside Remote Control
	SH96 WL5AA	1				[L5] - Chrome Handle, Right
	SH97 WL5AA	1				[L5] - Chrome Handle, Left
	SH96 XDVAB	1				[DV] - Chrome Handle, Right
	SH97 XDVAA	1				[DV] - Chrome Handle, Left
17	6505 533AA	4				SCREW, Hex Flange Head Tapping, M4.8 x 1.59 x 14.00
18						LATCH, Rear Door
	#5008 622AA	1				Power, Right
	#5008 623AA	1				Power, Left
	#5008 624AA	1				Manual, Right
	#5008 625AA	1				Manual, Left
19	6033 876	6				SCREW, Tapping, M6.3x1.8x38.1
20						LINK, Inside handle To Latch, Rear Door
	4783 528AB	1				Right
	4783 529AB	1				Left
21						LINK, Latch Locking
	4783 530AB	1				Right
	4783 531AB	1				Left
22						LINK, Outside Handle To Latch, Rear Door
	4783 526	1				Right
	4783 527	1				Left
-23						CLIP, Latch
	4658 444	1				Purple
	4658 445	1				Orange
24	6505 518AA	4				SCREW TAPPING & WASHER, Hex Head, M6.3 x 2.54 x 20.00
-25	6032 723	4				SCREW, Self Tapping, M4.2x1.69x19.05
-26	6035 837	4				NUT/SPRING, "U"1THD, For .164-15 Screw, Inside Remote Mounting
-27						CLIP, Latch Link, Door Lock
	4658 676	1				Right
		1				Left

DODGE - CHRYSLER NEON (PL)

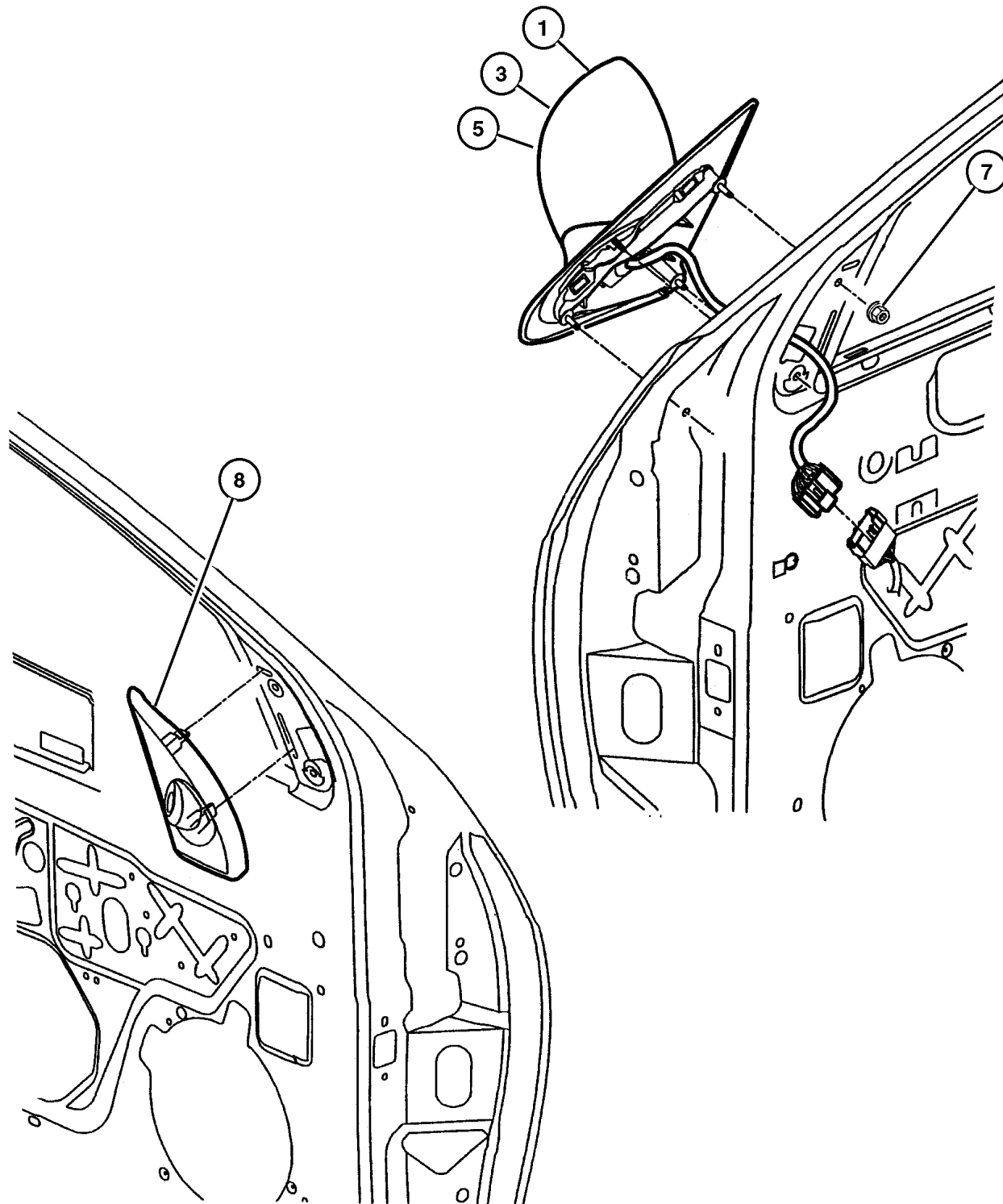
SERIES	LINE	BODY	ENGINE	TRANSMISSION
L=Low Line	Z=Chrysler, RHD	41 = 4 Door,	ECB,EC0=2.0L 4 Cyl., 16V SMPI	DD5=5 Speed Manual
H=High Line	D=Dodge	104WB	ECH,EC0=2.0L 4 Cyl, 16V SOHC	DGC=3 Speed Automatic
	D=Chrysler		EJD,EJ0=1.6L 4 Cyl 16V, SOHC	DGL=4 Speed Automatic
	P=Plymouth		EBD,EB0=1.8L 4 Cyl 16V SEF	DG0=All Automatics
				DBB=All 5 Speed Manual

AR = Use as required - = Non illustrated part # = New this model year

May 2, 2002



Mirror, Exterior Figure DPL-505



ITEM	PART NUMBER	QTY	LINE	SERIES	BODY	DESCRIPTION
NOTE: n key.						
Sales Codes: n key.						
[GRE] = MIRROR - LEFT n key.						
[GRN] = MIRROR - LEFT POWER FOLD-AWAY n key.						
[GRS] = MIRROR - LEFT POWER HEATED FOLD AWAY n key.						
[GR5] = MIRROR -LEFT PWR HEATED RETRACTABLE n key.						
[GSN] = MIRROR - RIGHT POWER FOLD-AWAY n key.						
[GSS] = MIRROR - RIGHT PWR HEATED FOLD-AWAY n key.						
[GS5] = MIRROR - RIGHT PWR HEATED RETRACTABLE n key.						
[GZF] = MIRROR - RIGHT MANUAL n key.						
1	4783 560AJ	1	D, P			MIRROR, Outside Rearview [GZF], Right,Manual
	4783 561AJ	1	D, P			[GRE], Left,Manual
-2	5018 304AA	1	D, P			GLASS, Mirror Replacement [GZF], Right,Manual
	5018 305AA	1	D, P			[GRE], Left,Manual
3	4783 820AD	1	Z			MIRROR, Outside Rearview Electric Foldaway [GS5], Right
	4783 821AD	1	Z			[GR5], Left
	4783 566AC	1	D, P			[GSS,GSN], Right
	4783 567AC	1	D, P			[GRS,GRN], Left
-4	5018 308AA	1	Z			GLASS, Mirror Replacement [GR5], Right
	5018 309AA	1	Z			[GR5], Left
	5018 306AA	1	D, P			[GSS,GSN], Right
	5018 307AA	1	D, P			[GRS,GRN], Left
5	4888 782AD	1	D, P			MIRROR, Outside Rearview Electric Foldaway, Arabic, [GSN], ARABIC
-6	5018 297AA	1	D, P			GLASS, Mirror Replacement, [GSN], ARABIC
7	6101 443	6				NUT AND WASHER, Hex, M5x.80
8	QA53 WL5AF	1	D, P			BEZEL, Front Door Mirror [L5, GRE]
	QA53 XDVAF	1	D, P			[DV, GRE]

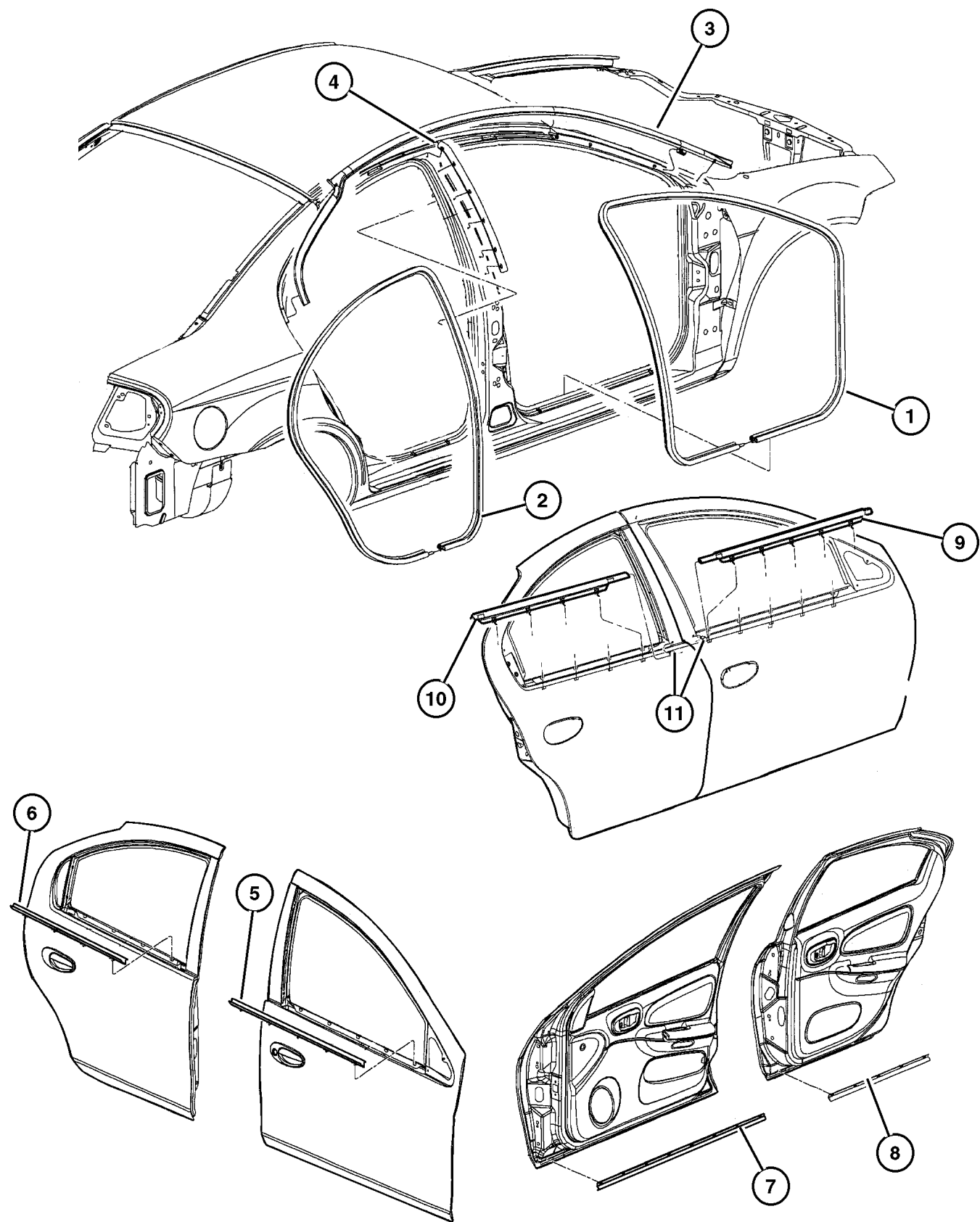
DODGE - CHRYSLER NEON (PL)

SERIES	LINE	BODY	ENGINE	TRANSMISSION
L=Low Line	Z=Chrysler, RHD	41 = 4 Door,	ECB,EC0=2.0L 4 Cyl., 16V SMPI	DD5=5 Speed Manual
H=High Line	D=Dodge	104WB	ECH,EC0=2.0L 4 Cyl, 16V SOHC	DGC=3 Speed Automatic
	D=Chrysler		EJD,EJ0=1.6L 4 Cyl 16V, SOHC	DGL=4 Speed Automatic
	P=Plymouth		EBD,EB0=1.8L 4 Cyl 16V SEF	DG0=All Automatics
				DBB=All 5 Speed Manual

AR = Use as required - = Non illustrated part # = New this model year

May 2, 2002

Door, Front and Rear
Figure DPL-605



ITEM	PART NUMBER	QTY	LINE	SERIES	BODY	DESCRIPTION
1						WEATHERSTRIP, Front Door Opening
	TM11 WL5AB	2				[L5]
	TM11 XXXAC	2				[DV]
2						WEATHERSTRIP, Rear Door Opening
	TM12 WL5AB	2				[L5]
	TM12 XXXAC	2				[DV]
3						WEATHERSTRIP, Door Upper Secondary
	4783 664AB	1				Right
	4783 665AB	1				Left
4						WEATHERSTRIP, Center Pillar
	5008 296AB	1				Right
	5008 297AB	1				Left
5						WEATHERSTRIP, Front Door Belt, Inner
	4783 674AB	1				Right
	4783 675AB	1				Left
6						WEATHERSTRIP, Rear Door Belt, Inner
	4783 676AC	1				Right
	4783 677AC	1				Left
7	4783 666	2				WEATHERSTRIP, Sill Front Secondary
8	4783 668	2				WEATHERSTRIP, Sill Rear Secondary
9						WEATHERSTRIP, Front Door Belt, Outer
	5027 066AB	1				Right
	5027 067AB	1				Left
10						WEATHERSTRIP, Rear Door Belt, Outer
	5027 068AB	1				Right
	5027 069AB	1				Left
11	5008 339AA	4				CLIP, Weatherstrip

DODGE - CHRYSLER NEON (PL)

SERIES	LINE	BODY	ENGINE	TRANSMISSION
L=Low Line	Z=Chrysler, RHD	41 = 4 Door,	ECB,EC0=2.0L 4 Cyl., 16V SMPI	DD5=5 Speed Manual
H=High Line	D=Dodge	104WB	ECH,EC0=2.0L 4 Cyl, 16V SOHC	DGC=3 Speed Automatic
	D=Chrysler		EJD,EJ0=1.6L 4 Cyl 16V, SOHC	DGL=4 Speed Automatic
	P=Plymouth		EBD,EB0=1.8L 4 Cyl 16V SEF	DG0=All Automatics
				DBB=All 5 Speed Manual

AR = Use as required - = Non illustrated part # = New this model year

May 2, 2002

Group – EPL

Exterior Ornamentation

GROUP EPL - Exterior Ornamentation

Illustration Title

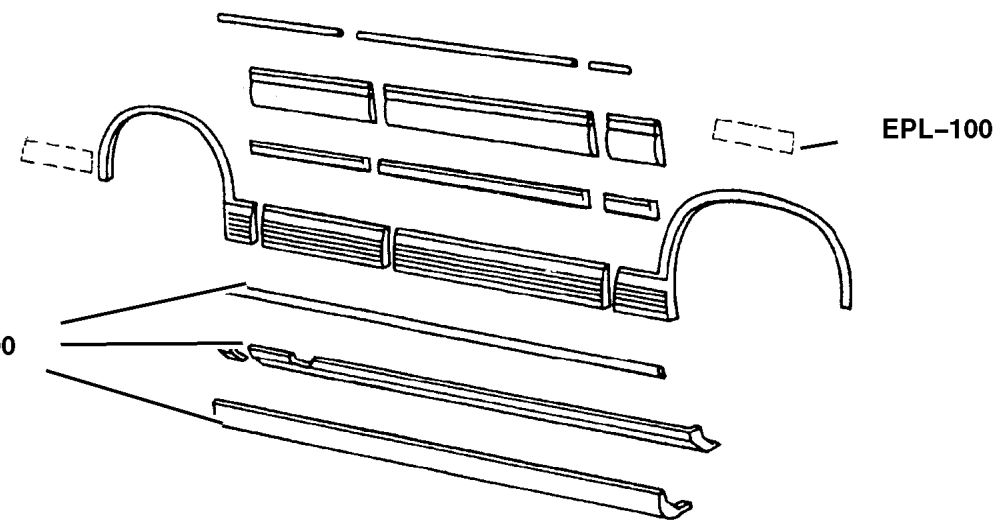
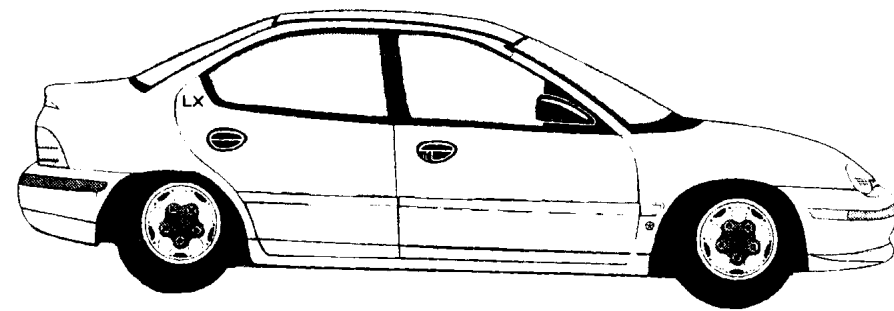
Group-Fig. No.


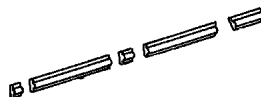
Nameplates

Nameplates Fig. EPL-105

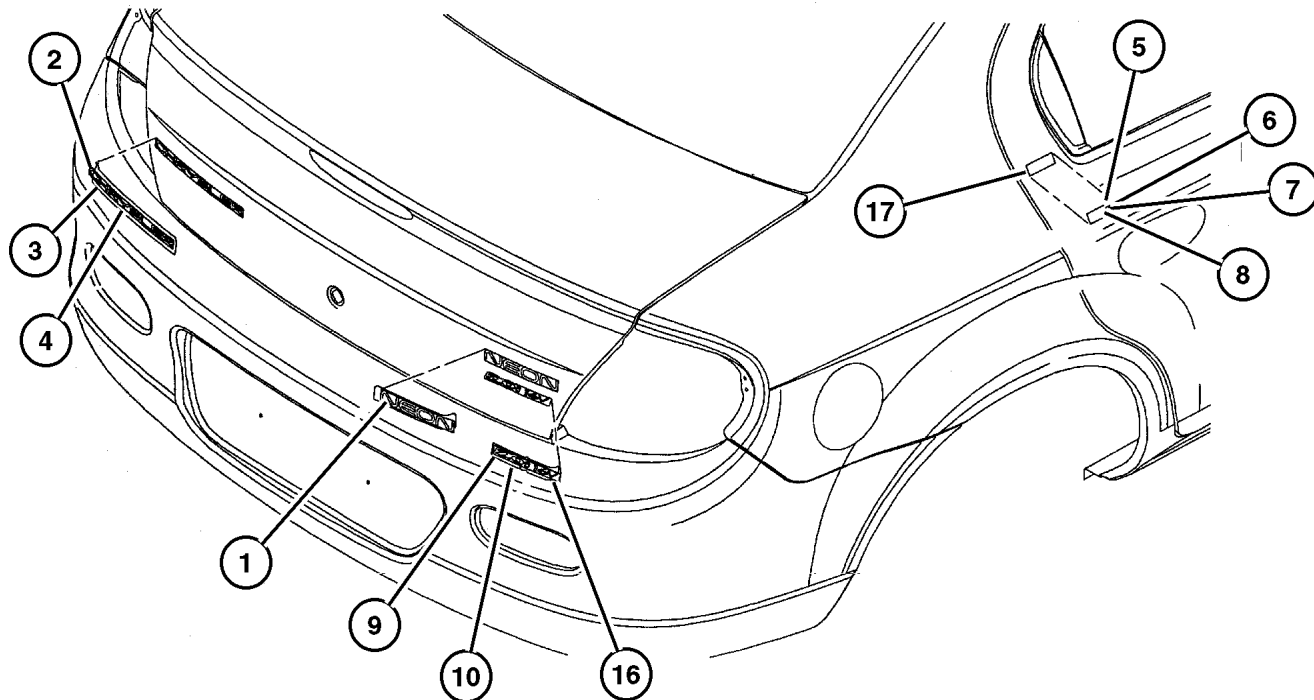
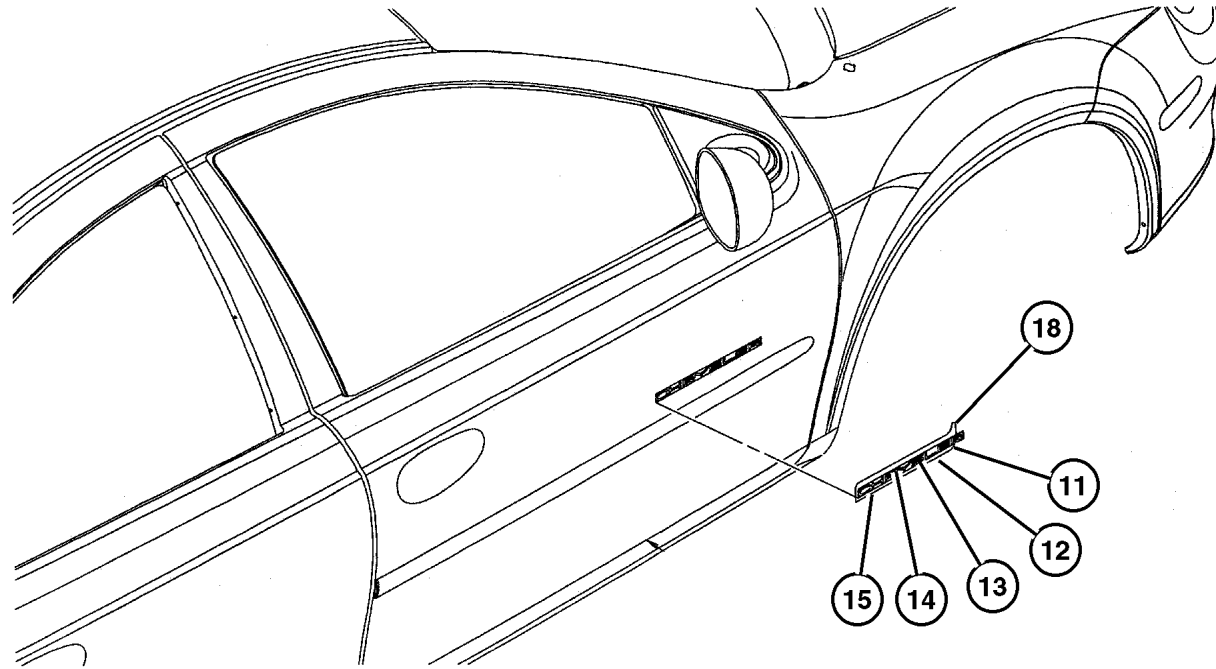
Moldings and Ornamentation

Moldings and Ornamentation Fig. EPL-205



<p>EPL-100 Nameplates</p> 	<p>EPL-200 Moldings and Ornamentation</p> 		
--	--	--	--

Nameplates Figure EPL-105



ITEM	PART NUMBER	QTY	LINE	SERIES	BODY	DESCRIPTION
NOTE: n key.						
Sales Codes: n key.						
[MV3] = BADGE - NEON n key.						
[MGN] = BADGE - DODGE, DECKLID n key.						
[MGY] = BADGE - PLYMOUTH, FRONT DOOR n key.						
[MGM] = BADGE - PLYMOUTH, DECKLID n key.						
[MVH] = BADGE - CHRYSLER, DOOR n key.						
[MV9] = BADGE - CHRYSLER, DECKLID n key.						
1	5288 948AC	1				NAMEPLATE, Neon, [MV3]
2	5288 946AC	1				NAMEPLATE, Deck Lid, Dodge, [MGN]
3	5288 947AC	1				NAMEPLATE, Plymouth, Decklid [MGY,MGM]
4	5288 949AC	1				NAMEPLATE, Deck Lid, Chrysler, [MVH,MV9]
5						NAMEPLATE, Rear Door, ES
	4814 973AA	2				ES, Chrome
	5288 414	2				LE
6	5288 413	2				NAMEPLATE, SE, SE
7	5288 415	2				NAMEPLATE, LX, LX
8	5288 944AA	2				NAMEPLATE, Ex, Bright
9	5288 849AB	1				NAMEPLATE, 2.0I 16V, [MGR]
10	#5288 982AA	1				NAMEPLATE, 2.0I 16V High Output, [MGU]
11	5288 945AC	2				NAMEPLATE, Front Door, Dodge, Chrome
12	5288 947AC	1				NAMEPLATE, Plymouth, Door
13	5288 949AC	1				NAMEPLATE, Deck Lid, Chrysler, Door
14	4805 630AA	2				NAMEPLATE, Dodge R/T, [MSW]
15	#4749 071AA	2				NAMEPLATE, Chrysler R/T, [MST]
16	#5303 470AA	1				NAMEPLATE, 2.0 Magnum, [MS2]
17	#WF65 CA1AA	2				DECAL, R/T
18						DECAL, Dodge, Motorsport
	#WE08 YARAA	2				[KDP]
	#WE08 YXAAA	2				[KDT]
	#WE08 YXRAA	2				[KDV]

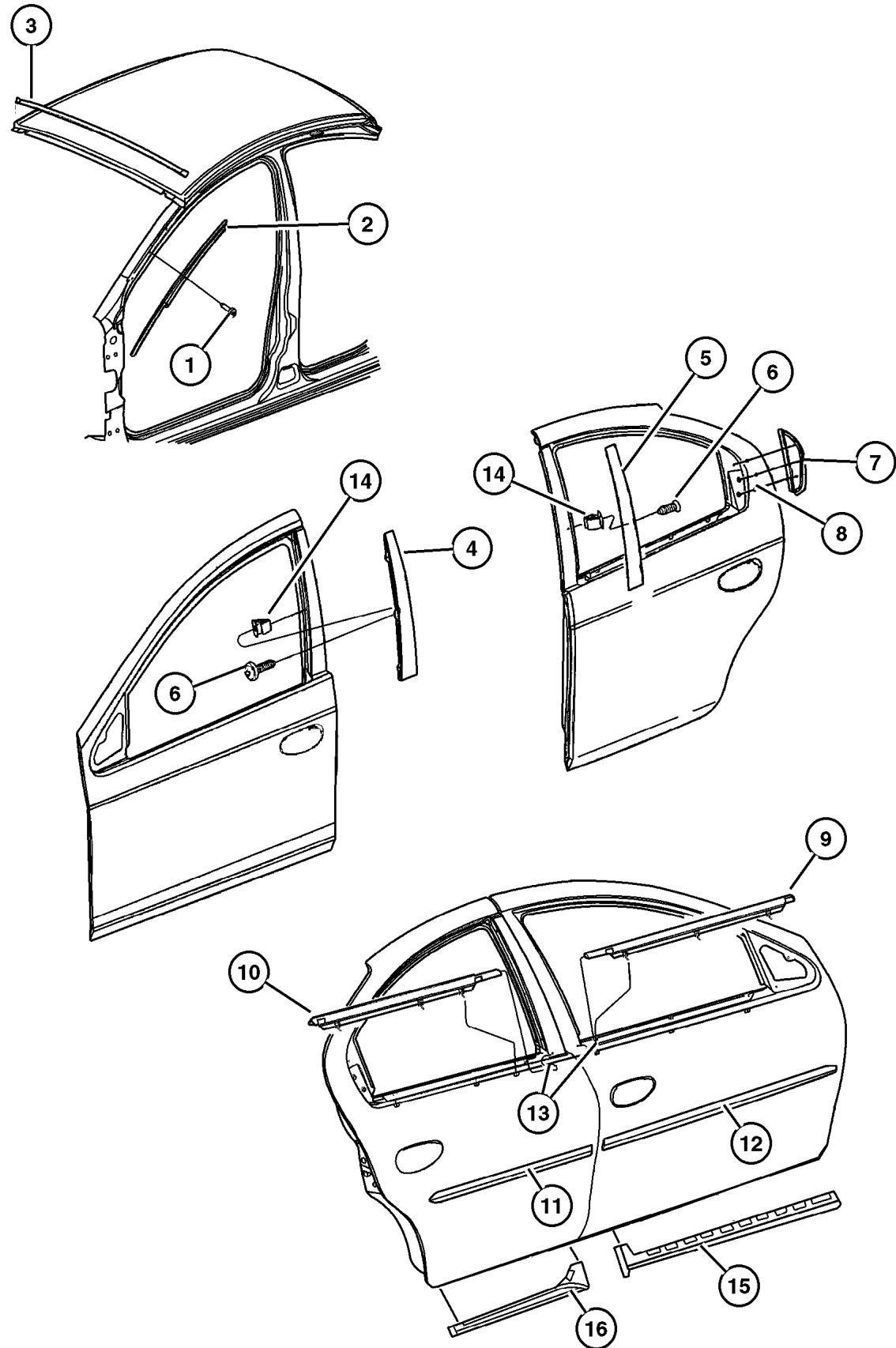
DODGE - CHRYSLER NEON (PL)

SERIES	LINE	BODY	ENGINE	TRANSMISSION
L=Low Line	Z=Chrysler, RHD	41 = 4 Door,	ECB,EC0=2.0L 4 Cyl., 16V SMPI	DD5=5 Speed Manual
H=High Line	D=Dodge	104WB	ECH,EC0=2.0L 4 Cyl, 16V SOHC	DGC=3 Speed Automatic
	D=Chrysler		EJD,EJ0=1.6L 4 Cyl 16V, SOHC	DGL=4 Speed Automatic
	P=Plymouth		EBD,EB0=1.8L 4 Cyl 16V SEF	DG0=All Automatics
				DBB=All 5 Speed Manual

AR = Use as required - = Non illustrated part # = New this model year

May 2, 2002

**Mouldings and Ornamentation
Figure EPL-205**



ITEM	PART NUMBER	QTY	LINE	SERIES	BODY	DESCRIPTION
1	0154 819	8				SCREW AND WASHER, Round Head, .164-15x.625
2	5303 404AC	1				MOLDING, A-PILLAR Right
	5303 405AC	1				Left
3	5288 571AB	1				MOLDING, Windshield
4	5288 576AG	1				APPLIQUE, B Pillar, Front Right
	5288 577AG	1				Left
5	5288 578AE	1				APPLIQUE, B Pillar, Rear Right
	5288 579AE	1				Left
6	6036 210AA	12				SCREW, Tapping Pan Head, .138-20 x .625
7	4888 606AE	1				APPLIQUE, Rear Door Right
	4888 607AE	1				Left
8	6004 512	6				CLIP, D Pillar Exhauster
9	5027 066AH	1				WEATHERSTRIP, Front Door Belt Right
	5027 067AH	1				Left
10	5027 068AH	1				WEATHERSTRIP, Rear Door Belt Right
	5027 069AH	1				Left
11	QK60 DX8	2				MOLDING, Rear Door [K4X]
	QK60 PR4	2				[K4R]
	QK60 WB7	2				[K4D]
	QK60 WE5	2				[K4M]
	QK60 XBQ	2				[K4Q]
	QK60 XGR	2				[K4G]
	QK60 XRV	2				[K4V]
	QT74 SW1AA	2				[K4W]
	QT74 VLBAA	2				[K4N]
	QT74 WS2AA	2				[K4S]
12	QK58 DX8	2				MOLDING, Front Door [K4X]
	QK58 PR4	2				[K4R]
	QK58 WB7	2				[K4D]
	QK58 WE5	2				[K4M]
	QK58 XBQ	2				[K4Q]
	QK58 XGR	2				[K4G]
	QK58 XRV	2				[K4V]
	QT76 SW1AA	2				[K4W]
	QT76 VLBAA	2				[K4N]

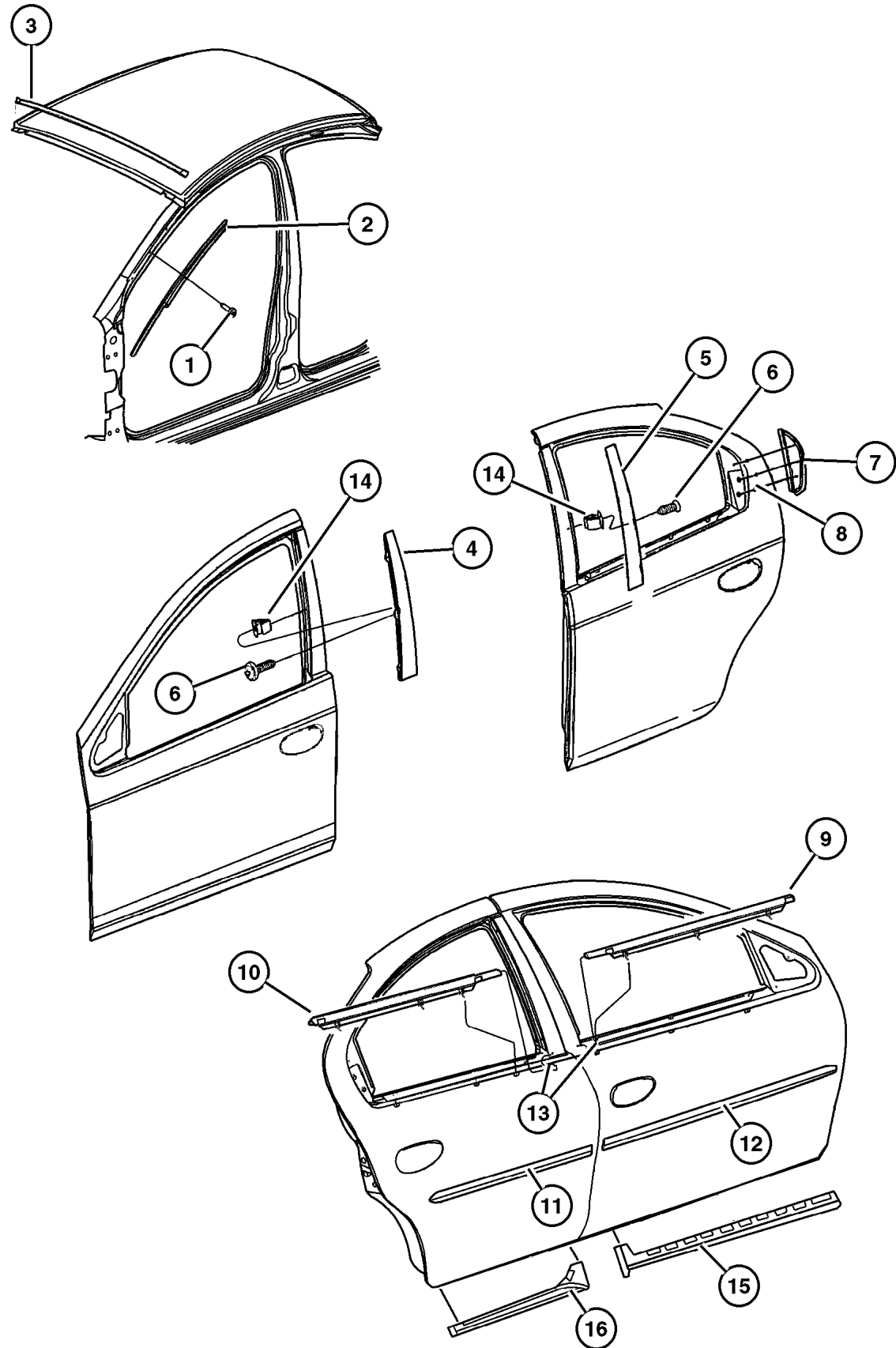
DODGE - CHRYSLER NEON (PL)

SERIES	LINE	BODY	ENGINE	TRANSMISSION
L=Low Line	Z=Chrysler, RHD	41 = 4 Door,	ECB,EC0=2.0L 4 Cyl., 16V SMPI	DD5=5 Speed Manual
H=High Line	D=Dodge	104WB	ECH,EC0=2.0L 4 Cyl, 16V SOHC	DGC=3 Speed Automatic
	D=Chrysler		EJD,EJ0=1.6L 4 Cyl 16V, SOHC	DGL=4 Speed Automatic
	P=Plymouth		EBD,EB0=1.8L 4 Cyl 16V SEF	DG0=All Automatics
				DBB=All 5 Speed Manual

AR = Use as required - = Non illustrated part # = New this model year

May 2, 2002

Mouldings and Ornamentation
Figure EPL-205



ITEM	PART NUMBER	QTY	LINE	SERIES	BODY	DESCRIPTION
	QT76 WS2AA	2				[K4S]
13	5008 339AD	4				CLIP, Weatherstrip
14	6036 209AA	12				NUT, Snap In, .164-18
15						MOLDING, Side Sill, Front
	#SW10 DX8AB	1				[K5X], Right
	#SW11 DX8AB	1				[K5X], Left
	#SW10 PR4AB	1				[K5R], Right
	#SW11 PR4AB	1				[K5R], Left
	#SW10 SW1AB	1				[K5W], Right
	#SW11 SW1AB	1				[K5W], Left
	#SW10 WS2AB	1				[K5S], Right
	#SW11 WS2AB	1				[K5S], Left
16						MOLDING, Side Sill, Rear
	#TN26 DX8AB	1				[K5X], Right
	#TN27 DX8AB	1				[K5X], Left
	#TN26 PR4AB	1				[K5R], Right
	#TN27 PR4AB	1				[K5R], Left
	#TN26 SW1AB	1				[K5W], Right
	#TN27 SW1AB	1				[K5W], Left
	#TN26 WS2AB	1				[K5S], Right
	#TN27 WS2AB	1				[K5S], Left

DODGE - CHRYSLER NEON (PL)

SERIES	LINE	BODY	ENGINE	TRANSMISSION
L=Low Line	Z=Chrysler, RHD	41 = 4 Door,	ECB,EC0=2.0L 4 Cyl., 16V SMPI	DD5=5 Speed Manual
H=High Line	D=Dodge	104WB	ECH,EC0=2.0L 4 Cyl, 16V SOHC	DGC=3 Speed Automatic
	D=Chrysler		EJD,EJ0=1.6L 4 Cyl 16V, SOHC	DGL=4 Speed Automatic
	P=Plymouth		EBD,EB0=1.8L 4 Cyl 16V SEF	DG0=All Automatics
				DBB=All 5 Speed Manual

AR = Use as required - = Non illustrated part # = New this model year

May 2, 2002

Group - IPL

Interior Trim

GROUP IPL - Interior Trim

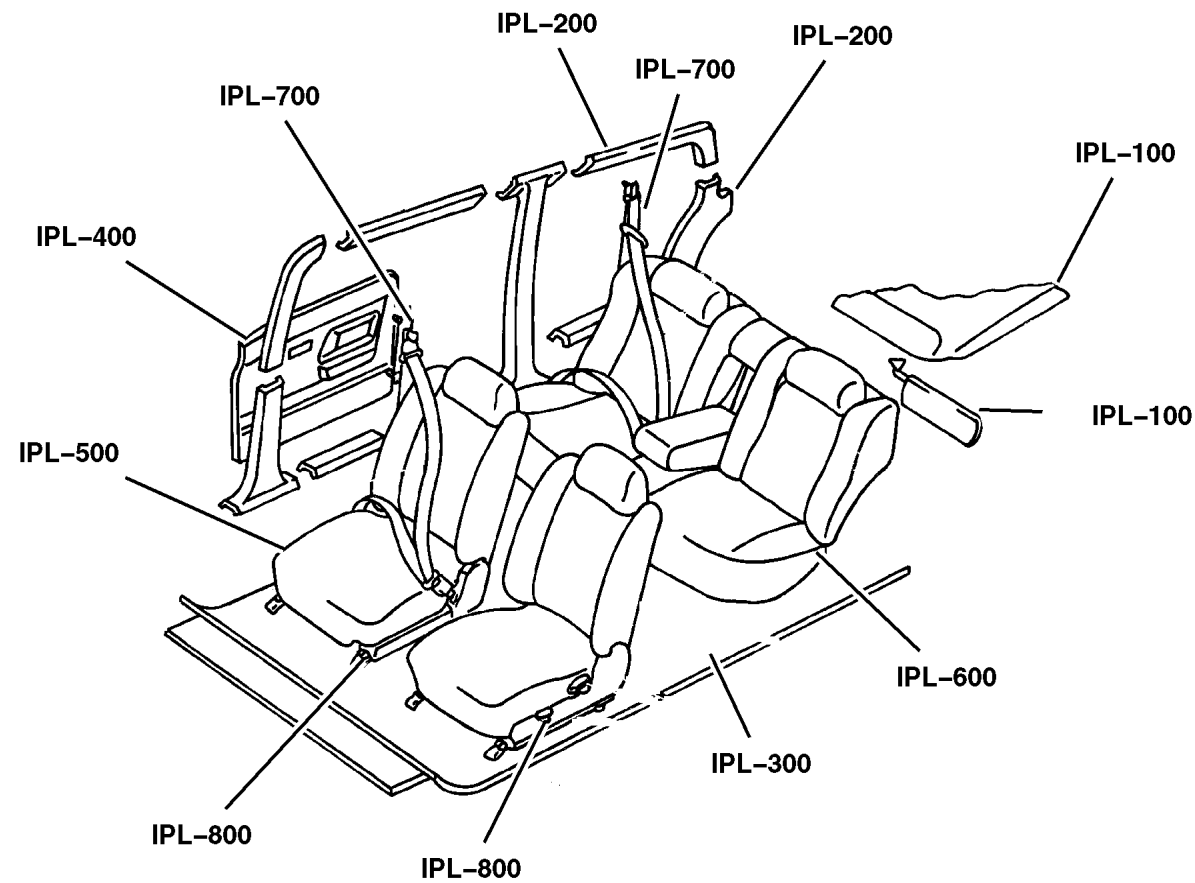


Illustration Title

Group-Fig. No.

Headliner and Visor

Headliner, Visor and Shelf Panel Fig. IPL-110

Panel, Moldings, Scuff Plates

Cowl Panels Fig. IPL-210
 A-Pillar Fig. IPL-215
 B-Pillar Fig. IPL-220
 Quarter Trim Panel Fig. IPL-225
 Scuff Plates - Front and Rear Fig. IPL-230

Carpet

Carpet, Mats and Silencers Fig. IPL-310

Door Trim Panels

Door Panels - Front Fig. IPL-410
 Door Panels - Rear Fig. IPL-420

Front Seats and Attaching Parts

Seat Front - Trim Code K7 Fig. IPL-505
 Seat Front - Trim Code B7 Fig. IPL-510
 Seat Front - Trim Code C7 Fig. IPL-515
 Seat Front - Trim Code CL, R7 Fig. IPL-520
 Seat Front - Trim Code A7 Fig. IPL-525
 Seat Front - Trim Code RL, XL Fig. IPL-530
 Seat Reclining - Attaching Parts Fig. IPL-535

Rear Seats-Folding

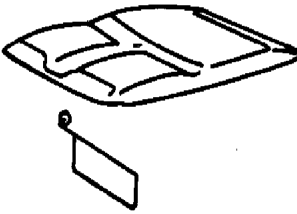
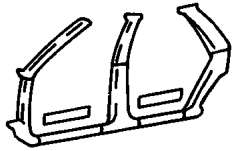
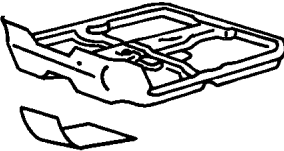
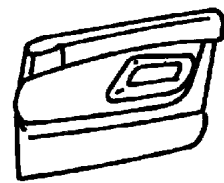
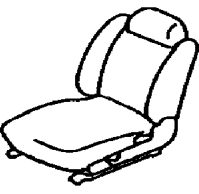
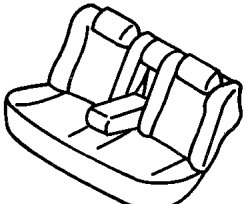
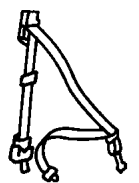
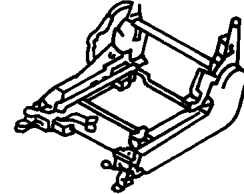
Seat Rear - Trim Code K7 Fig. IPL-605
 Seat Rear - Trim Code B7 Fig. IPL-610
 Seat Rear - Trim Code C7 Fig. IPL-615
 Seat Rear - Trim Code CL, R7 Fig. IPL-620
 Seat Rear - Trim Code A7 Fig. IPL-625
 Seat Rear - Trim Code RL, XL Fig. IPL-630
 Seat Rear - Attaching Parts Fig. IPL-635

Seat Belts-Front and Rear

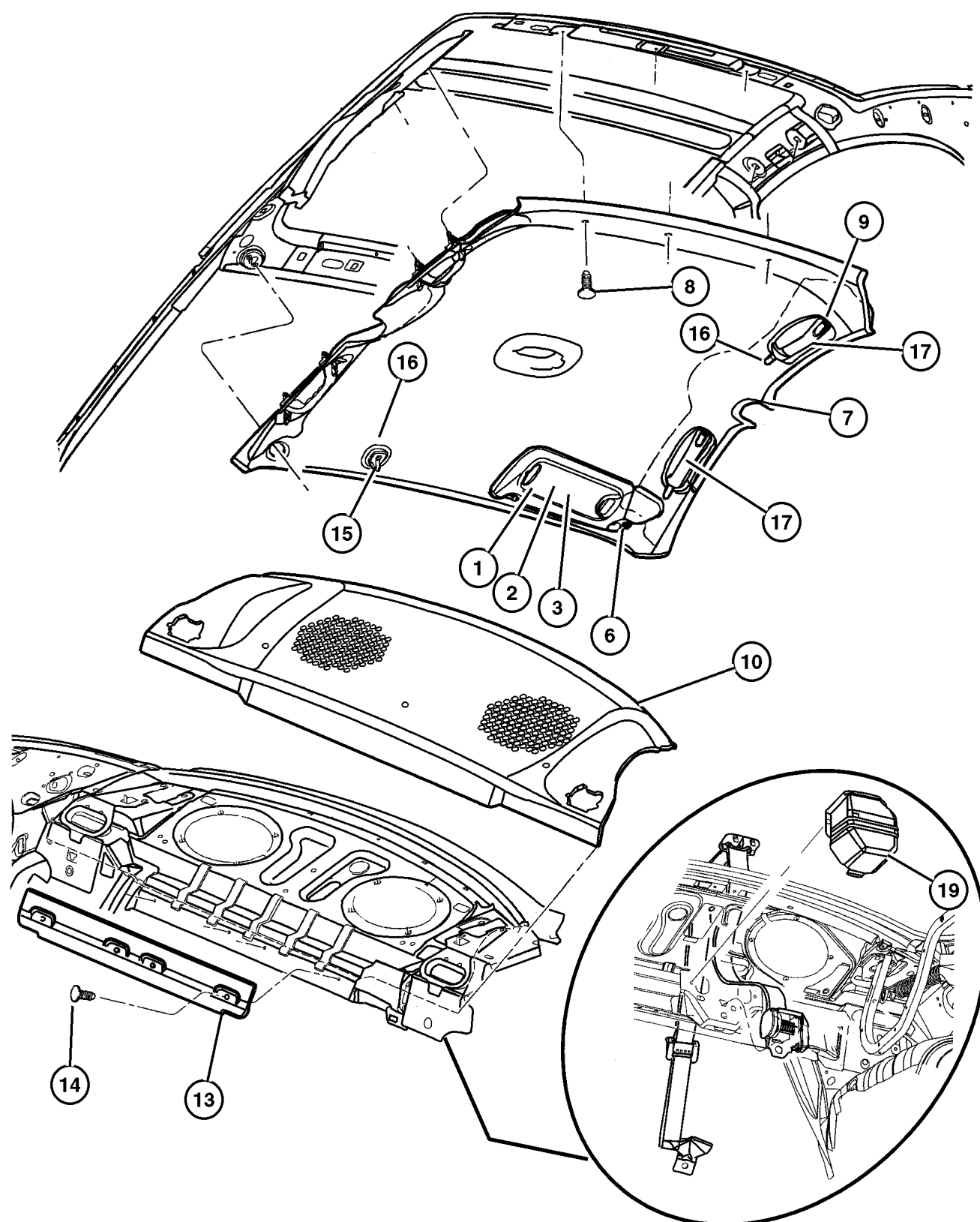
Seat Belts - Front Fig. IPL-710
 Seat Belts - Rear Fig. IPL-720

Adjusters, Covers, Shields, and Risers

Seat Adjusters, Recliners and Side Shields Fig. IPL-810

<p>IPL-100 Headliner and Visor</p> 	<p>IPL-200 Panel, Moldings, Scuff Plates</p> 	<p>IPL-300 Carpet</p> 	<p>IPL-400 Door Trim Panels</p> 
<p>IPL-500 Front Seats and Attaching Parts</p> 	<p>IPL-600 Rear Seats-Folding</p> 	<p>IPL-700 Seat Belts-Front and Rear</p> 	<p>IPL-800 Adjusters, Covers, Shields, and Risers</p> 

Headliner, Visor and Shelf Panel Figure IPL-110



ITEM	PART NUMBER	QTY	LINE	SERIES	BODY	TRIM	DESCRIPTION
Child Seat Teather, The Only Parts Serviced Are Item 11 and 12, The Rest Is Serviced With Item 10 Panel Shelf. n key.							
1	TL38 TL2AA	1					VISOR Beige, Without Mirror, Right
	TL39 TL2AA	1	D, P				Beige, Without Mirror, Left
2	TL35 TL2AA	1					VISOR, W/Mirror Beige, With Mirror, Left
	TL40 TL2AA	1	D, P				Beige, With Exposed Mirror, Right
3	TL36 TL2AA	1					VISOR, Illuminated Beige, Export, Right
	TL37 TL2AA	1					Beige, Export, Left
	#TL36 TL2AB	1					Beige, Right
	#TL37 TL2AB	1					Beige, Left
-4	6501 966	1					BULB, 74, Visor, w/Illuminated
-5	4595 749AA	1	D, P				LABEL, Air Bag Warning Bilingual Removable Dash Warning
	4787 437AA	2	D, P				Visor, English/French 5 Points
	4595 746AA	1	Z				End Cap Warning
		1	D, P				End Cap Warning
	4595 748AA	1					Dash Warning, (Removable)
	4664 279AC	2	D, P				Seat Side Airbag Warning, (English and French)
6	6036 132AA	4					SCREW, Pan Head, Visor Attaching
7	TE75 TL2AA	1					HEADLINER Beige, With Assist Handles
	TE77 TL2AA	1					Beige, With Assist Handles and Security Alarm
	TE74 TL2AA	1	D, P				Beige, Without Assist Handles
	TL41 TL2AA	1					Beige, With Sunroof, Assist Handles and Security Alarm
		1					Beige, With Sunroof, Assist Handles
	TL42 TL2AA	1					Beige, With Sunroof, Assist Handles and Without Security Alarm
8	ST47 TL2AA	3					FASTENER, Headliner, Beige
9	QY61 TL2AA	2	D, P				HOOK, Coat, Beige
10							PANEL, Shelf Trim
	#TM50 WL8AB	1					[L5]
	#TM50 XDVAB	1					[DV]
-11	TA52 WL8AA	3					COVER, Anchor, Child Tether Shelf Panel [L5], (Cap Child Teather Shelf Panel)
	TA52 XDVAA	3					[DV], (Cap Child Teather Shelf Panel)
-12	5023 227AA	3					PIN, Child Tether
13	RF28 DX9AA	1				B7	Black,
		1				C7	Black,

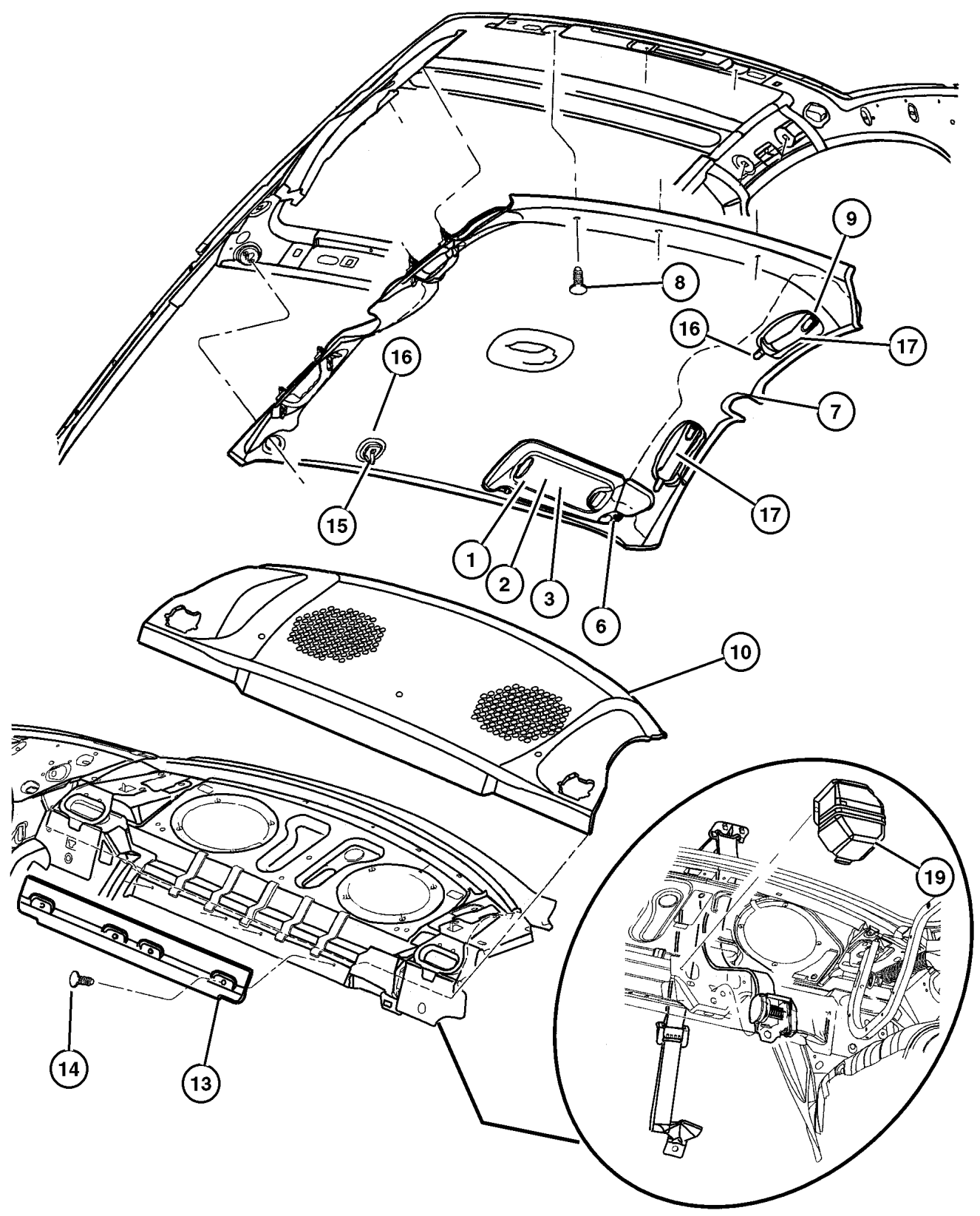
DODGE - CHRYSLER NEON (PL)

SERIES	LINE	BODY	ENGINE	TRANSMISSION
L=Low Line	Z=Chrysler, RHD	41 = 4 Door,	ECB,EC0=2.0L 4 Cyl., 16V SMPI	DD5=5 Speed Manual
H=High Line	D=Dodge	104WB	ECH,EC0=2.0L 4 Cyl, 16V SOHC	DGC=3 Speed Automatic
	D=Chrysler		EJD,EJ0=1.6L 4 Cyl 16V, SOHC	DGL=4 Speed Automatic
	P=Plymouth		EBD,EB0=1.8L 4 Cyl 16V SEF	DG0=All Automatics
				DBB=All 5 Speed Manual

AR = Use as required - = Non illustrated part # = New this model year

May 2, 2002

Headliner, Visor and Shelf Panel Figure IPL-110



ITEM	PART NUMBER	QTY	LINE	SERIES	BODY	TRIM	DESCRIPTION
		1				CL	Black,
		1				R7	Black,
		1				RL	Black,
		1				A7	Black,
14							PIN, Retainer
	6030 441	2					Deck Lid Cover Attaching
		2					Molding Pass-Thru Attaching (Cargo Door)
15	PX40 TL2AB	2					CLIP, Visor, Beige
16							SCREW, .164-18x.75
	6035 324	2					Visor, Center Support Attaching
		8					Visor Attaching
		2					Assist Handle Attaching
		2					Coat Hook Attaching
17							HANDLE, Roof Grab
	QY62 TL2AD	2					Beige, Right & Left
	QY66 TL2AC	1					Beige, With Coat Hook, Right,Rear
	QY67 TL2AC	1					Beige, With Coat Hook, Left,Rear
-18							CLIP, Headlining
	4775 742AA	8					Assist Handle Attaching
		2					Headliner To Roof Attaching Visor
		2					Headliner To Roof Attaching Coat Hook
19	#4645 951AB	1					COVER, Trunk Room, Trunk Silencer, Noise Vibration Harkness

DODGE - CHRYSLER NEON (PL)

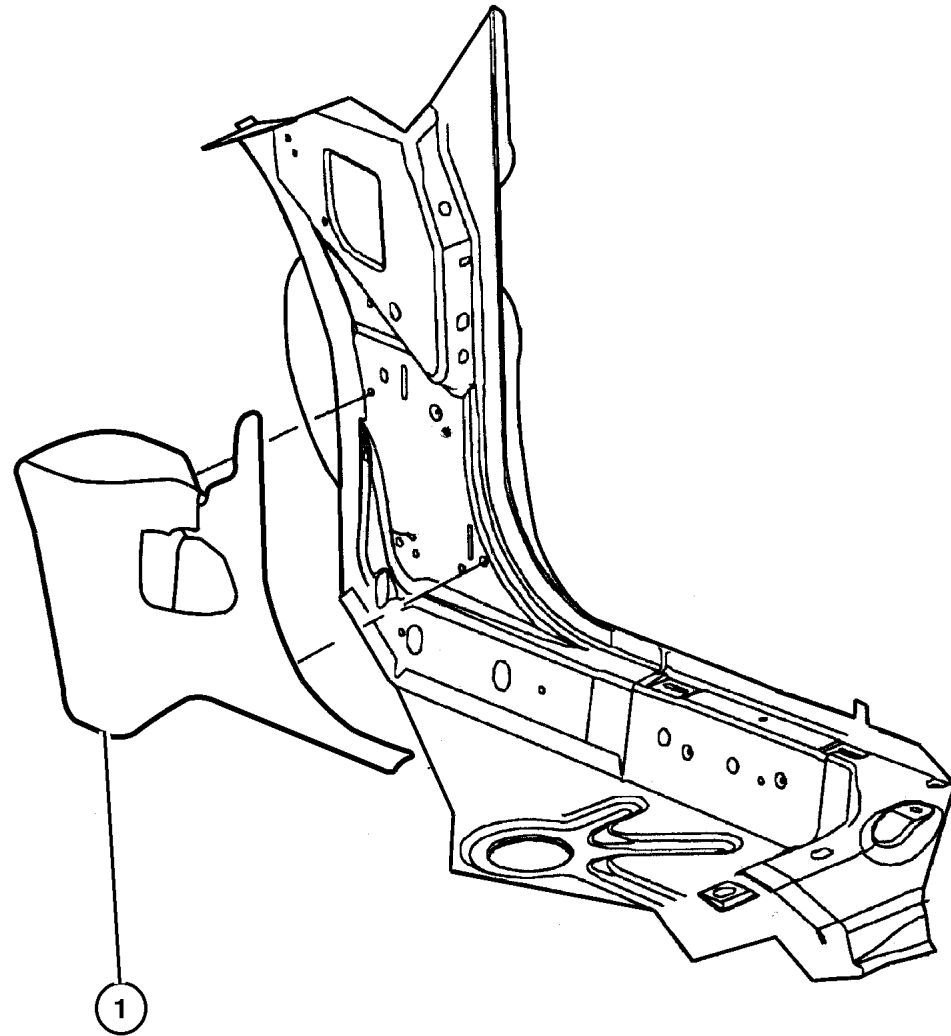
SERIES	LINE	BODY	ENGINE	TRANSMISSION
L=Low Line	Z=Chrysler, RHD	41 = 4 Door,	ECB,EC0=2.0L 4 Cyl., 16V SMPI	DD5=5 Speed Manual
H=High Line	D=Dodge	104WB	ECH,EC0=2.0L 4 Cyl, 16V SOHC	DGC=3 Speed Automatic
	D=Chrysler		EJD,EJ0=1.6L 4 Cyl 16V, SOHC	DGL=4 Speed Automatic
	P=Plymouth		EBD,EB0=1.8L 4 Cyl 16V SEF	DG0=All Automatics
				DBB=All 5 Speed Manual

AR = Use as required - = Non illustrated part # = New this model year

May 2, 2002

**Cowl Panels
Figure IPL-210**

ITEM	PART NUMBER	QTY	LINE	SERIES	BODY	TRIM	DESCRIPTION
1							PANEL, Cowl Side Trim
	PY76 WL5AB	1	D, P				[L5], Right
	PY76 XDVAB	1	D, P				[DV], Right
	PY77 WL5AB	1	D, P				[L5], Left
	PY77 XDVAB	1	D, P				[DV], Left
	PY78 WL5	1	Z				[L5], Right
	PY78 XDV	1	Z				[DV], Right
	PY79 XDV	1	Z				[DV], Left
	PY79 WL5	1	Z				[L5], Left
-2							CLIP, Trim Panel
	6503 167	2	D, P				
		2	Z				

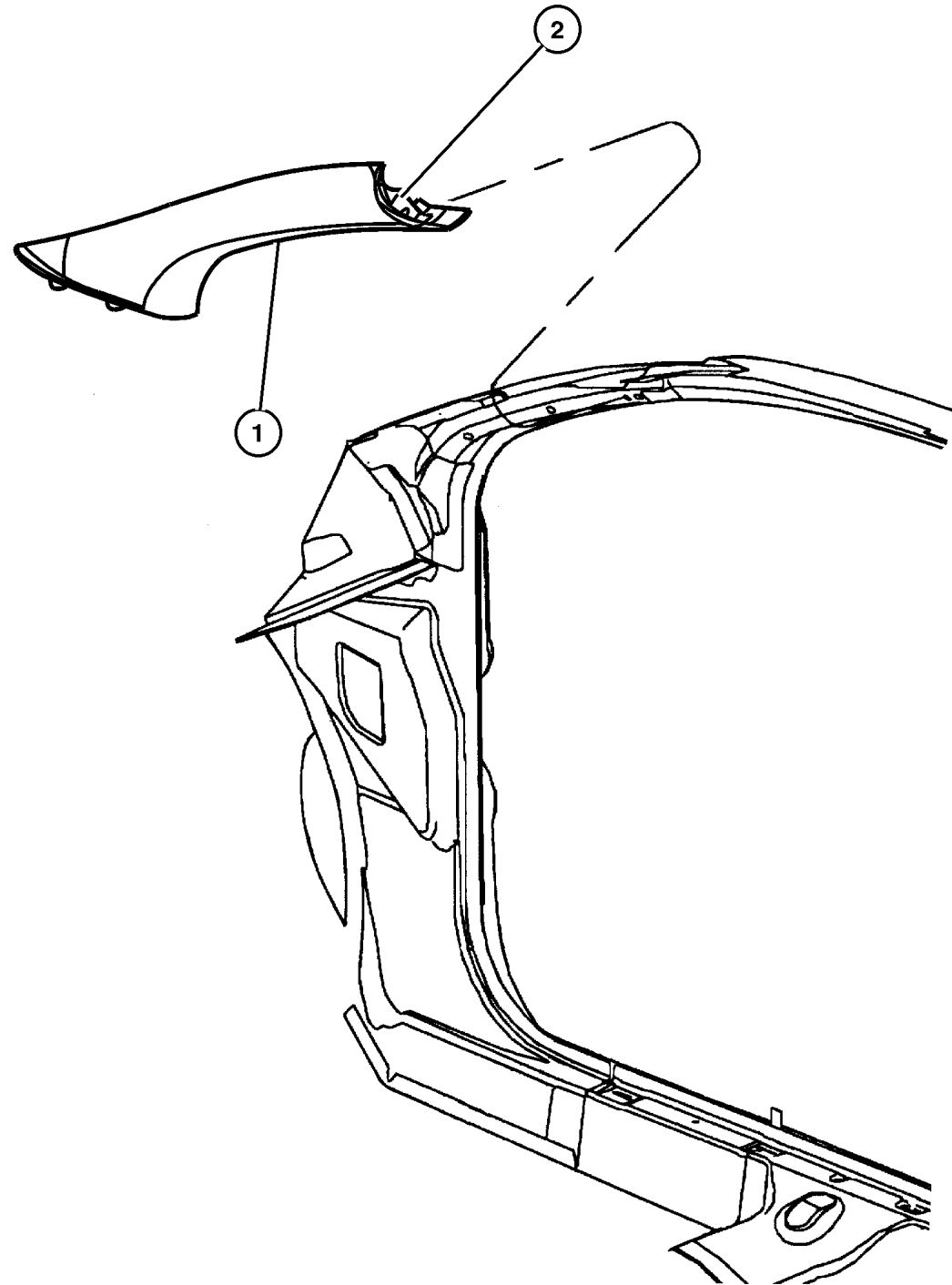


DODGE - CHRYSLER NEON (PL)				
SERIES	LINE	BODY	ENGINE	TRANSMISSION
L=Low Line	Z=Chrysler, RHD	41 = 4 Door,	ECB,EC0=2.0L 4 Cyl., 16V SMPI	DD5=5 Speed Manual
H=High Line	D=Dodge	104WB	ECH,EC0=2.0L 4 Cyl, 16V SOHC	DGC=3 Speed Automatic
	D=Chrysler		EJD,EJ0=1.6L 4 Cyl 16V, SOHC	DGL=4 Speed Automatic
	P=Plymouth		EBD,EB0=1.8L 4 Cyl 16V SEF	DG0=All Automatics
				DBB=All 5 Speed Manual

AR = Use as required - = Non illustrated part # = New this model year

May 2, 2002

**A-Pillar
Figure IPL-215**



ITEM	PART NUMBER	QTY	LINE	SERIES	BODY	TRIM	DESCRIPTION
1							COVER, A Pillar Trim
	TZ28 TL2AA	1					Beige, Right
	TZ29 TL2AA	1					Beige, Left
2	4775 846AA	2					CLIP, Pillar Trim

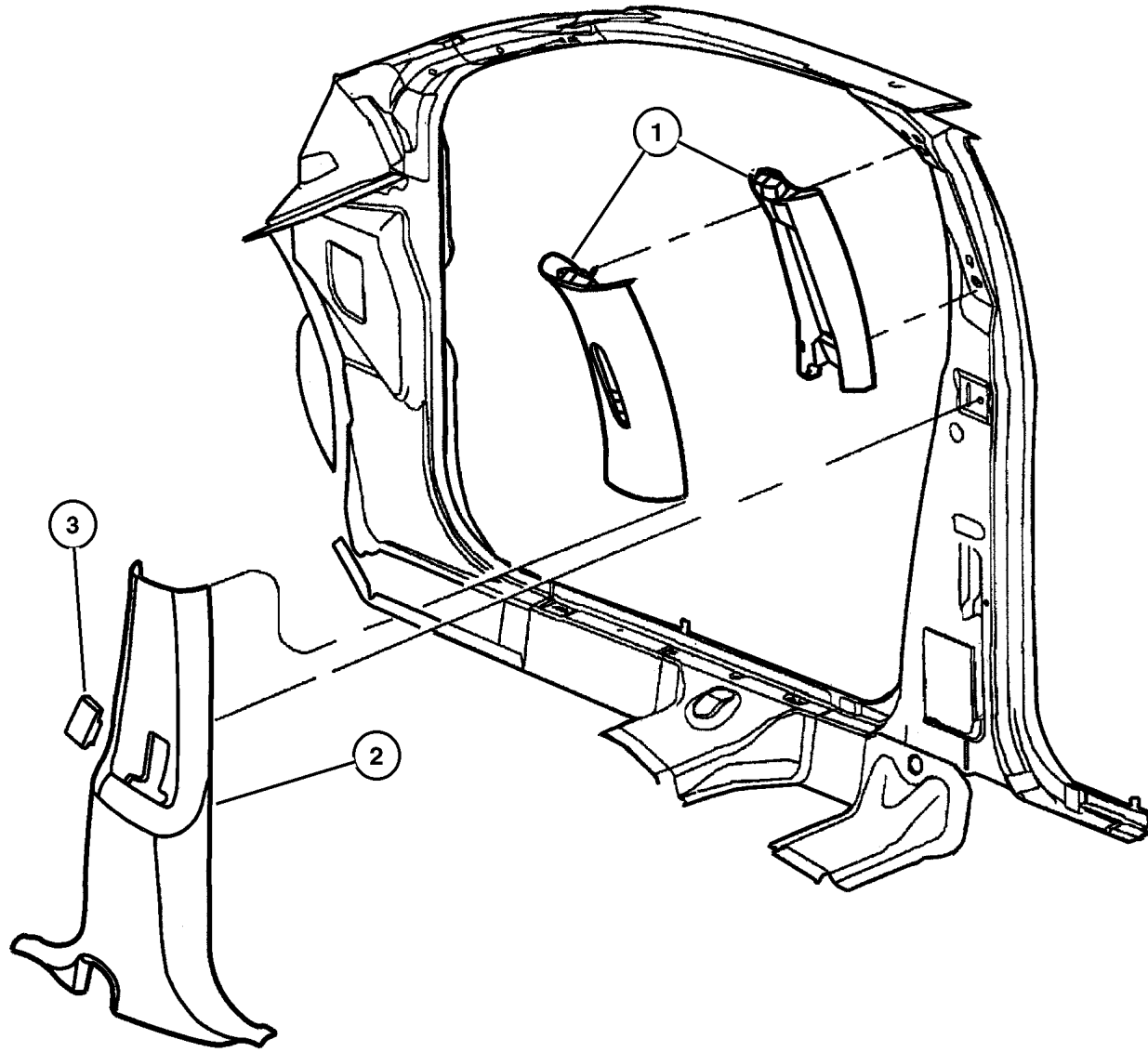
DODGE - CHRYSLER NEON (PL)				
SERIES	LINE	BODY	ENGINE	TRANSMISSION
L=Low Line	Z=Chrysler, RHD	41 = 4 Door,	ECB,EC0=2.0L 4 Cyl., 16V SMPI	DD5=5 Speed Manual
H=High Line	D=Dodge	104WB	ECH,EC0=2.0L 4 Cyl, 16V SOHC	DGC=3 Speed Automatic
	D=Chrysler		EJD,EJ0=1.6L 4 Cyl 16V, SOHC	DGL=4 Speed Automatic
	P=Plymouth		EBD,EB0=1.8L 4 Cyl 16V SEF	DG0=All Automatics
				DBB=All 5 Speed Manual

AR = Use as required - = Non illustrated part # = New this model year

May 2, 2002

**B-Pillar
Figure IPL-220**

ITEM	PART NUMBER	QTY	LINE	SERIES	BODY	TRIM	DESCRIPTION
1							COVER, C Pillar
	PY72 TL2AB	1					Beige, Right,Upper
	PY73 TL2AB	1					Beige, Left,Upper
	TZ26 TL2AA	1					Beige, With Sunroof, Right,Upper
	TZ27 TL2AA	1					Beige, With Sunroof, Left,Upper
2							COVER, C Pillar
	#TB54 WL5AA	1					[L5], Right,Lower
	#TB54 XDVAA	1					[DV], Right,Lower
	#TB55 WL5AA	1					[L5], Left,Lower
	#TB55 XDVAA	1					[DV], Left,Lower
3							COVER, Seat Belt Access Hole
	#TB58 WL5AA	2					[L5]
	#TB58 XDVAA	2					[DV]
-4	6503 104	3					CLIP, Pillar Trim



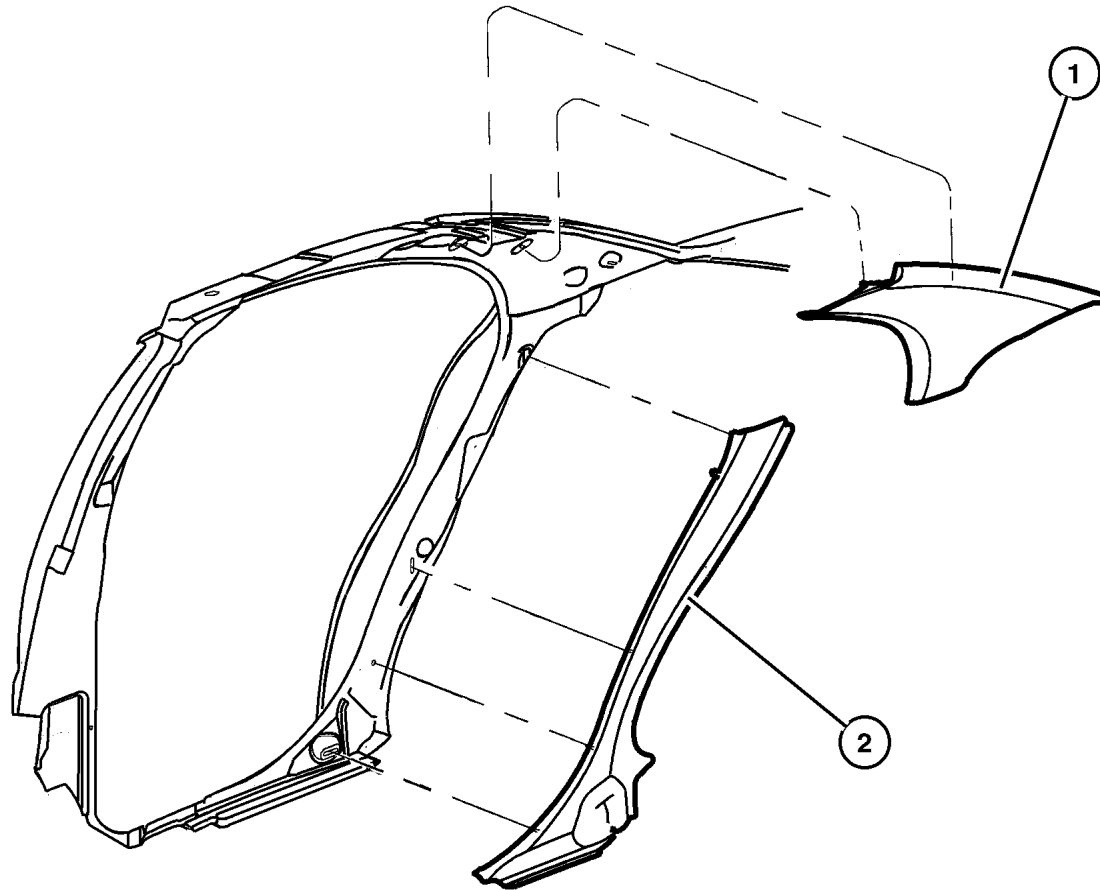
DODGE - CHRYSLER NEON (PL)				
SERIES	LINE	BODY	ENGINE	TRANSMISSION
L=Low Line	Z=Chrysler, RHD	41 = 4 Door,	ECB,EC0=2.0L 4 Cyl., 16V SMPI	DD5=5 Speed Manual
H=High Line	D=Dodge	104WB	ECH,EC0=2.0L 4 Cyl, 16V SOHC	DGC=3 Speed Automatic
	D=Chrysler		EJD,EJ0=1.6L 4 Cyl 16V, SOHC	DGL=4 Speed Automatic
	P=Plymouth		EBD,EB0=1.8L 4 Cyl 16V SEF	DG0=All Automatics
				DBB=All 5 Speed Manual

AR = Use as required - = Non illustrated part # = New this model year

May 2, 2002

Quarter Trim Panel
Figure IPL-225

ITEM	PART NUMBER	QTY	LINE	SERIES	BODY	TRIM	DESCRIPTION
1							PANEL, Quarter Trim, Upper
	PY80 TL2AC	1					Beige, Right,Upper
	PY81 TL2AC	1					Beige, Left,Upper
2							PANEL, Quarter Trim, Lower
	PY84 XDVAB	1					[DV], Right,Lower
	PY84 WL5AB	1					[L5], Right,Lower
	PY85 WL5AB	1					[L5], Left,Lower
	PY85 XDVAB	1					[DV], Left,Lower
-3	6503 167	3					CLIP, Trim Panel, Quarter Panel
-4	4775 846AA	2					CLIP, Pillar Trim, Head Impact - Quarter Upper
-5	6503 104	2					CLIP, Pillar Trim, Quarter Panel

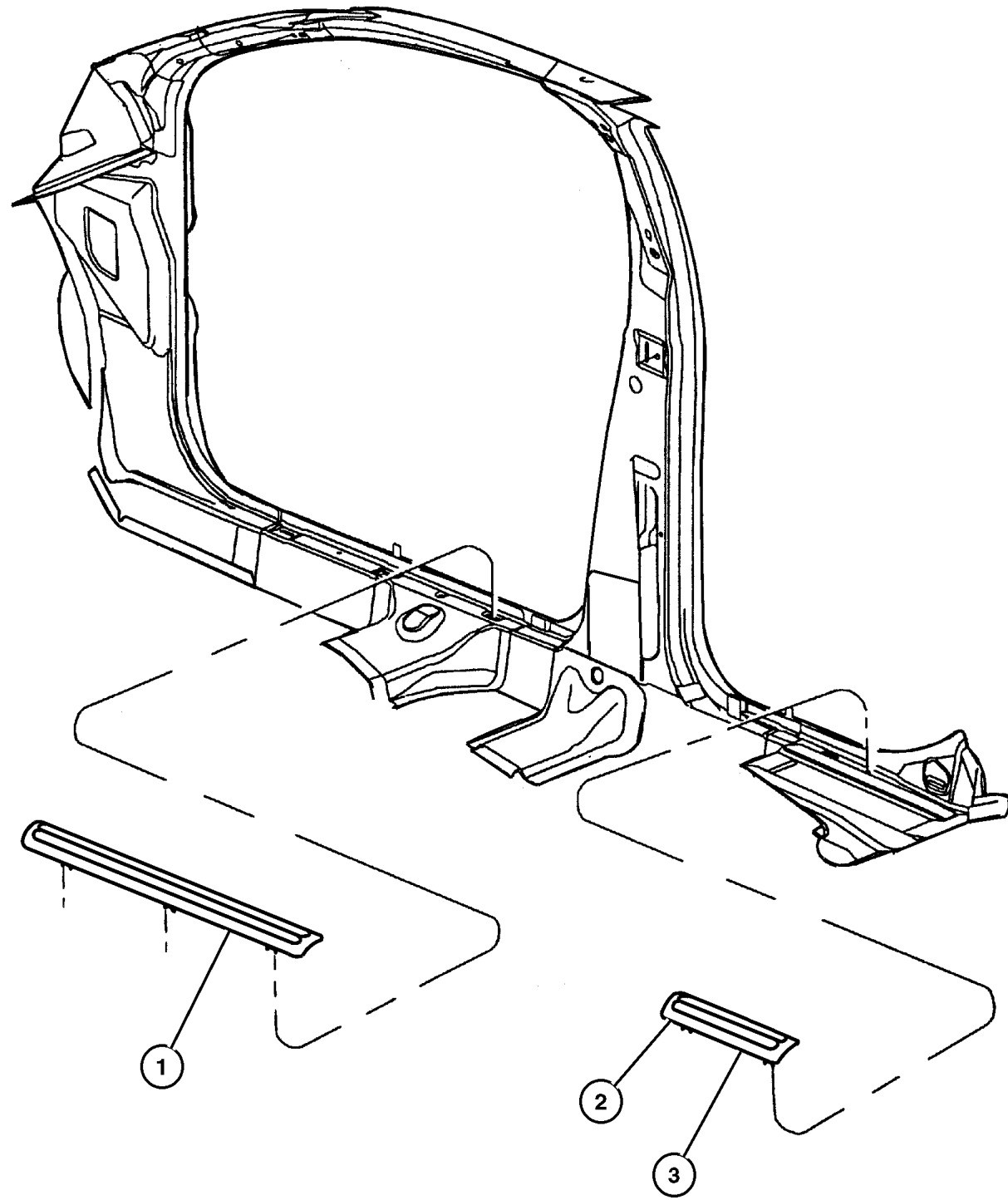


DODGE - CHRYSLER NEON (PL)				
SERIES	LINE	BODY	ENGINE	TRANSMISSION
L=Low Line	Z=Chrysler, RHD	41 = 4 Door,	ECB,EC0=2.0L 4 Cyl., 16V SMPI	DD5=5 Speed Manual
H=High Line	D=Dodge	104WB	ECH,EC0=2.0L 4 Cyl, 16V SOHC	DGC=3 Speed Automatic
	D=Chrysler		EJD,EJ0=1.6L 4 Cyl 16V, SOHC	DGL=4 Speed Automatic
	P=Plymouth		EBD,EB0=1.8L 4 Cyl 16V SEF	DG0=All Automatics
				DBB=All 5 Speed Manual

AR = Use as required - = Non illustrated part # = New this model year

May 2, 2002

Scuff Plates - Front and Rear
Figure IPL-230



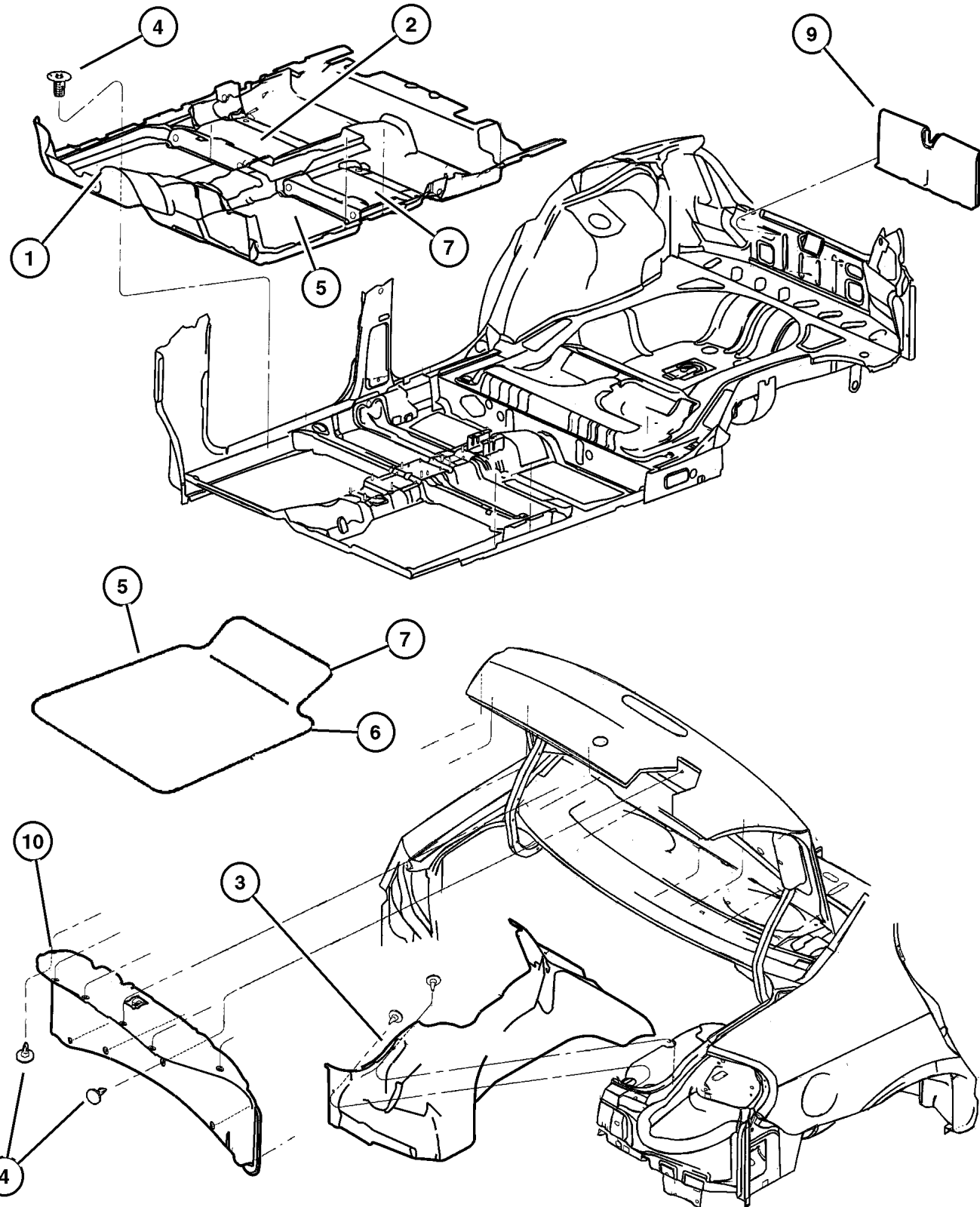
ITEM	PART NUMBER	QTY	LINE	SERIES	BODY	TRIM	DESCRIPTION
1							PLATE, Scuff, Front
	#TN30 WL5AA	1					[L5], Right,Front
	#TN30 XDVAA	1					[DV], Right,Front
	#TN31 WL5AA	1					[L5], Left,Front
	#TN31 XDVAA	1					[DV], Left,Front
2							PROTECTOR, Door Sill Scuff, (NOT SERVICED)
3							PLATE, Scuff, Rear
	#TN29 WL5AA	2					[L5], Right & Left
	#TN29 XDVAA	2					[DV], Right & Left
-4	6503 167	3					CLIP, Trim Panel, Scuff Plate

DODGE - CHRYSLER NEON (PL)				
SERIES	LINE	BODY	ENGINE	TRANSMISSION
L=Low Line	Z=Chrysler, RHD	41 = 4 Door,	ECB,EC0=2.0L 4 Cyl., 16V SMPI	DD5=5 Speed Manual
H=High Line	D=Dodge	104WB	ECH,EC0=2.0L 4 Cyl, 16V SOHC	DGC=3 Speed Automatic
	D=Chrysler		EJD,EJ0=1.6L 4 Cyl 16V, SOHC	DGL=4 Speed Automatic
	P=Plymouth		EBD,EB0=1.8L 4 Cyl 16V SEF	DG0=All Automatics
				DBB=All 5 Speed Manual

AR = Use as required - = Non illustrated part # = New this model year

May 2, 2002

Carpet, Mats and Silencers
Figure IPL-310



ITEM	PART NUMBER	QTY	LINE	SERIES	BODY	TRIM	DESCRIPTION
1							CARPET, Passenger Floor
	#TN47 WL8AA	1	D, P				[L5]
	#TN47 XDVAA	1	D, P				[DV]
	#TN48 WL8AA	1	Z				[L5] With 5 Speed Trans.
	#TN48 XDVAA	1	Z				[DV] With 5 Speed Trans.
	#TN49 WL8AA	1	Z				[L5] , With Automatic Trans.
	#TN49 XDVAA	1	Z				Quartz, With Automatic Trans.
2	4740 136	1					SILENCER, Floor Pan
3	PZ42 VXLAF	1					CARPET, Luggage Compartment, Dark Charcoal, (One Piece Trunk)
4	6030 441	2					PIN, Retainer, Carpet Attaching
5							MAT KIT, Floor - Front
	8220 4954	1	D, P	H	41		Taupe
	#8220 6439	1					Dark Slate
	8220 5168	1	D, P	H	41		Taupe, Slush Mat - Oversize
	#8220 6443	1					Dark Slate, Neon Logo
	#8220 6445	1					Dark Slate, Slush Mat - Oversize
6							MAT, Floor
	#5023 629AA	1	D, P				Motorsports Mat, Left
	#5023 630AA	1	D, P				Motorsports Mat, Right
7							MAT KIT, Floor - Rear
	8220 4956	1	D, P	H	41		Taupe
	#8220 6441	1					Dark Slate
	8220 5170	1	D, P	H	41		Taupe, Slush Mat - Oversize
-8	5086 365AA	1	Z				CLIP, Floor Mat Retention, Driver Side
9	RH74 DX9AC	1					PANEL, Luggage Compartment Side
10	#TN46 VXLAC	1					PANEL, Decklid

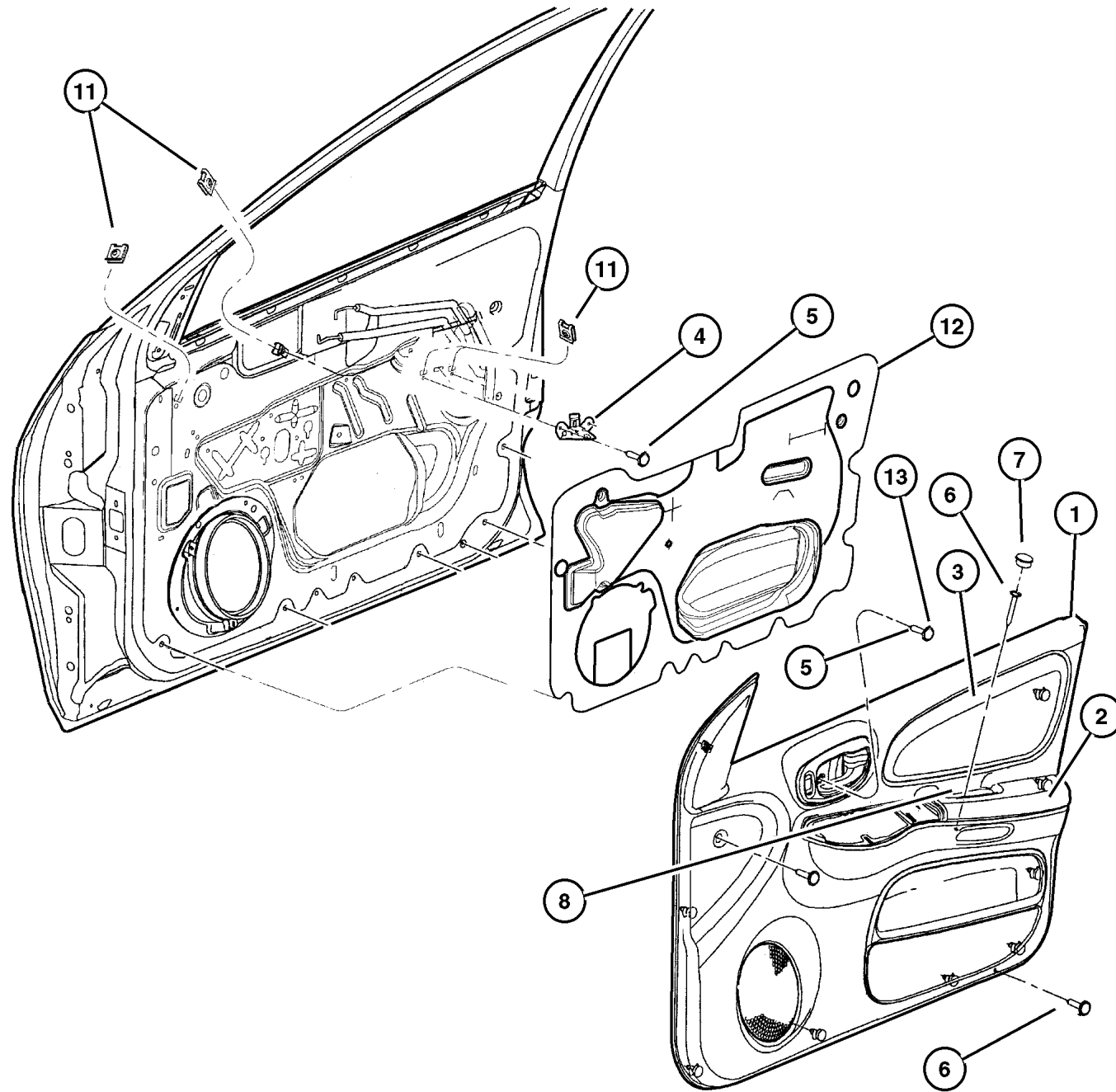
DODGE - CHRYSLER NEON (PL)

SERIES	LINE	BODY	ENGINE	TRANSMISSION
L=Low Line	Z=Chrysler, RHD	41 = 4 Door,	ECB,EC0=2.0L 4 Cyl., 16V SMPI	DD5=5 Speed Manual
H=High Line	D=Dodge	104WB	ECH,EC0=2.0L 4 Cyl, 16V SOHC	DGC=3 Speed Automatic
	D=Chrysler		EJD,EJ0=1.6L 4 Cyl 16V, SOHC	DGL=4 Speed Automatic
	P=Plymouth		EBD,EB0=1.8L 4 Cyl 16V SEF	DG0=All Automatics
				DBB=All 5 Speed Manual

AR = Use as required - = Non illustrated part # = New this model year

May 2, 2002

**Door Panels - Front
Figure IPL-410**



ITEM	PART NUMBER	QTY	LINE	SERIES	BODY	TRIM	DESCRIPTION
1							PANEL, Front Door Trim
	PZ14 WL5AK	1				K7	[L5] Without Power Windows and Power Locking Central, Right
	PZ14 XDVAK	1				K7	[DV] Without Power Windows and Power Locking Central, Right
	PZ15 WL5AK	1				K7	[L5], Without Power Windows and Power Locking Central, Left
	PZ15 XDVAK	1				K7	[DV], Without Power Windows and Power Locking Central, Left
	PZ18 WL5AK	1				K7	[L5], With Power Locking Central Without Power Windows, Right
	PZ18 XDVAK	1				K7	[DV], With Power Locking Central Without Power Windows, Right
	PZ19 WL5AK	1				K7	[L5], With Power Locking Central Without Power Windows, Left
	PZ19 XDVAK	1				K7	[DV], With Power Locking Central Without Power Windows, Left
	PZ52 1L5AK	1				K7	[L5], With Power Locking Central and With Power Windows, Right
	PZ52 XDVAK	1				K7	[DV], With Power Locking Central and With Power Windows, Right
	PZ53 1L5AK	1				K7	[L5], With Power Locking Central and With Power Windows, Left
	PZ53 XDVAK	1				K7	[DV], With Power Locking Central and With Power Windows, Left
	SJ18 1L5AF	1				B7	[L5], With Power Locking Central and With Power Windows, Right
		1				C7	[L5], With Power Locking Central and With Power Windows, Right
	SJ18 XDVAF	1				B7	[DV], With Power Locking Central and With Power Windows, Right
		1				C7	[DV], With Power Locking Central and With Power Windows, Right
	SJ19 1L5AF	1				B7	[L5], With Power Locking Central and With Power Windows, Left
		1				C7	[L5], With Power Locking Central and With Power Windows, Left
	SJ19 XDVAF	1				B7	[DV], With Power Locking Central and With Power Windows, Left
		1				C7	[DV], With Power Locking Central and With Power Windows, Left
	SL30 1DVAF	1				CL	[DV], Right

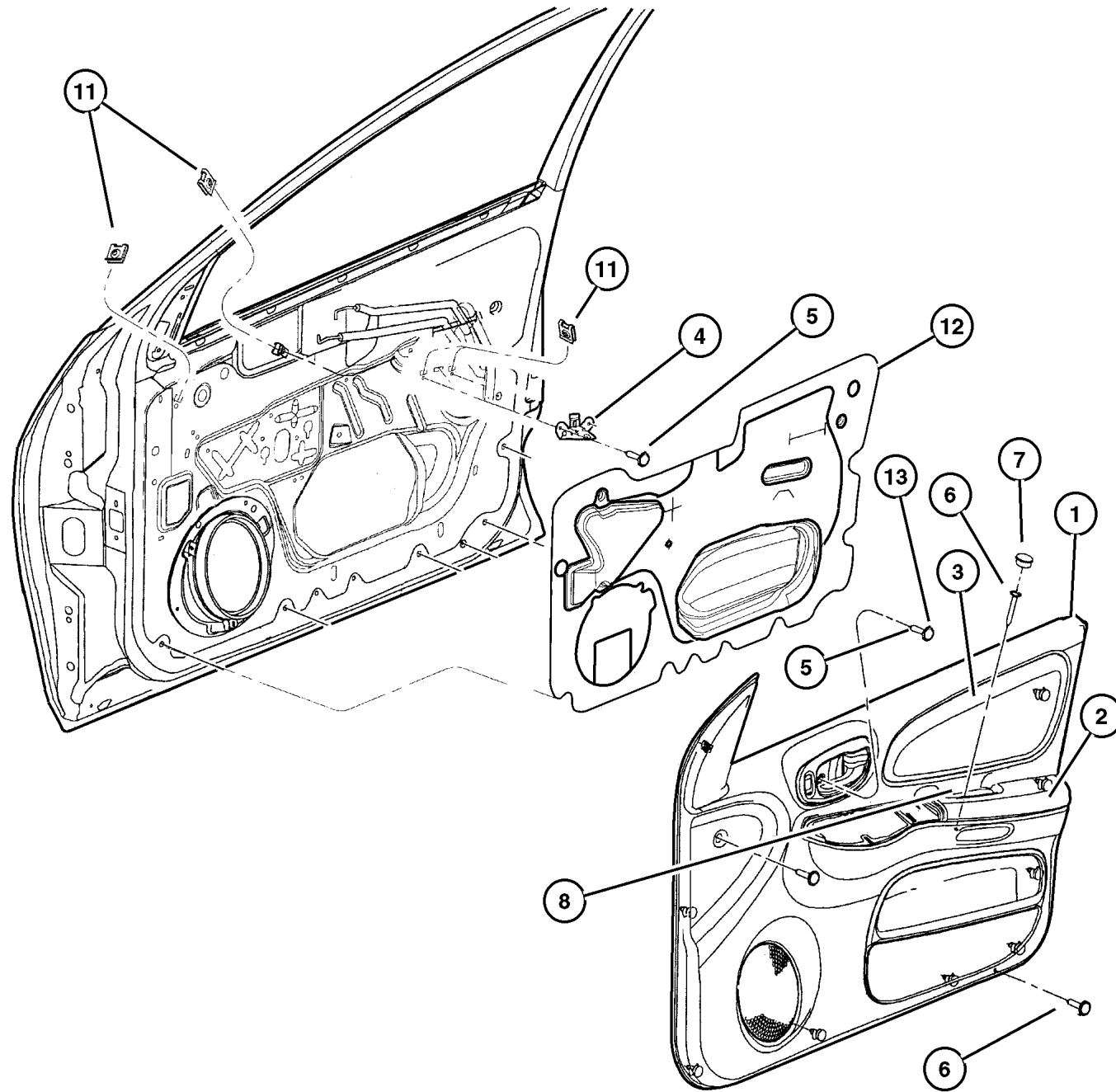
DODGE - CHRYSLER NEON (PL)

SERIES	LINE	BODY	ENGINE	TRANSMISSION
L=Low Line	Z=Chrysler, RHD	41 = 4 Door,	ECB,EC0=2.0L 4 Cyl., 16V SMPI	DD5=5 Speed Manual
H=High Line	D=Dodge	104WB	ECH,EC0=2.0L 4 Cyl, 16V SOHC	DGC=3 Speed Automatic
	D=Chrysler		EJD,EJ0=1.6L 4 Cyl 16V, SOHC	DGL=4 Speed Automatic
	P=Plymouth		EBD,EB0=1.8L 4 Cyl 16V SEF	DG0=All Automatics
				DBB=All 5 Speed Manual

AR = Use as required - = Non illustrated part # = New this model year

May 2, 2002

**Door Panels - Front
Figure IPL-410**



ITEM	PART NUMBER	QTY	LINE	SERIES	BODY	TRIM	DESCRIPTION
	SL30 1L5AF	1				CL	[L5], Right
	SL31 1DVAF	1				CL	[DV], Left
	SL31 1L5AF	1				CL	[L5], Left
	#SJ22 XDVA	1				R7	[DV], Right
	#SJ23 XDVA	1				R7	[DV], Left
	#SV00 XDVA	1				RL	[DV], Right
	#SV01 XDVA	1				RL	[DV], Left
	#TZ16 XDVA	1				A7	[DV], Right
	#TZ17 XDVA	1				A7	[DV], Left
	SL30 1DVAF	1				XL	[DV], Right
	SL30 1L5AF	1				XL	[L5], Right
	SL31 1DVAF	1				XL	[DV], Left
	SL31 1L5AF	1				XL	[L5], Left
2							ARMREST, Door, Serviced With Door Panel Only, (NOT SERVICED)
3							BOLSTER, Front Door, Serviced With Door Panel Only, (NOT SERVICED)
4	4775 558	2					BRACKET, Door Trim Panel, Attaching
5	0153 921	2					SCREW, Pull Cup Bracket Attaching
6	6032 723	2					SCREW, Self Tapping, M4.2x1.69x19.05, Door Panel Attaching
7							PLUG, Cover
	LB57 WL5	2					[L5], Pull Cup
	LB57 XDV	2					[DV], Pull Cup
8							CUP, Door Pull
	QS28 WL5AA	1				CL	[L5], Right
		1				K7	[L5], Right
		1				B7	[L5], Right
		1				C7	[L5], Right
	QS28 XDVA	1				R7	[DV], Right
		1				CL	[DV], Right
		1				RL	[DV], Right
		1				K7	[DV], Right
		1				B7	[DV], Right
		1				C7	[DV], Right
		1				A7	[DV], Right
	QS29 WL5AA	1				CL	[L5], Left
		1				K7	[L5], Left
		1				B7	[L5], Left
		1				C7	[L5], Left
	QS29 XDVA	1				R7	[DV], Left
		1				CL	[DV], Left

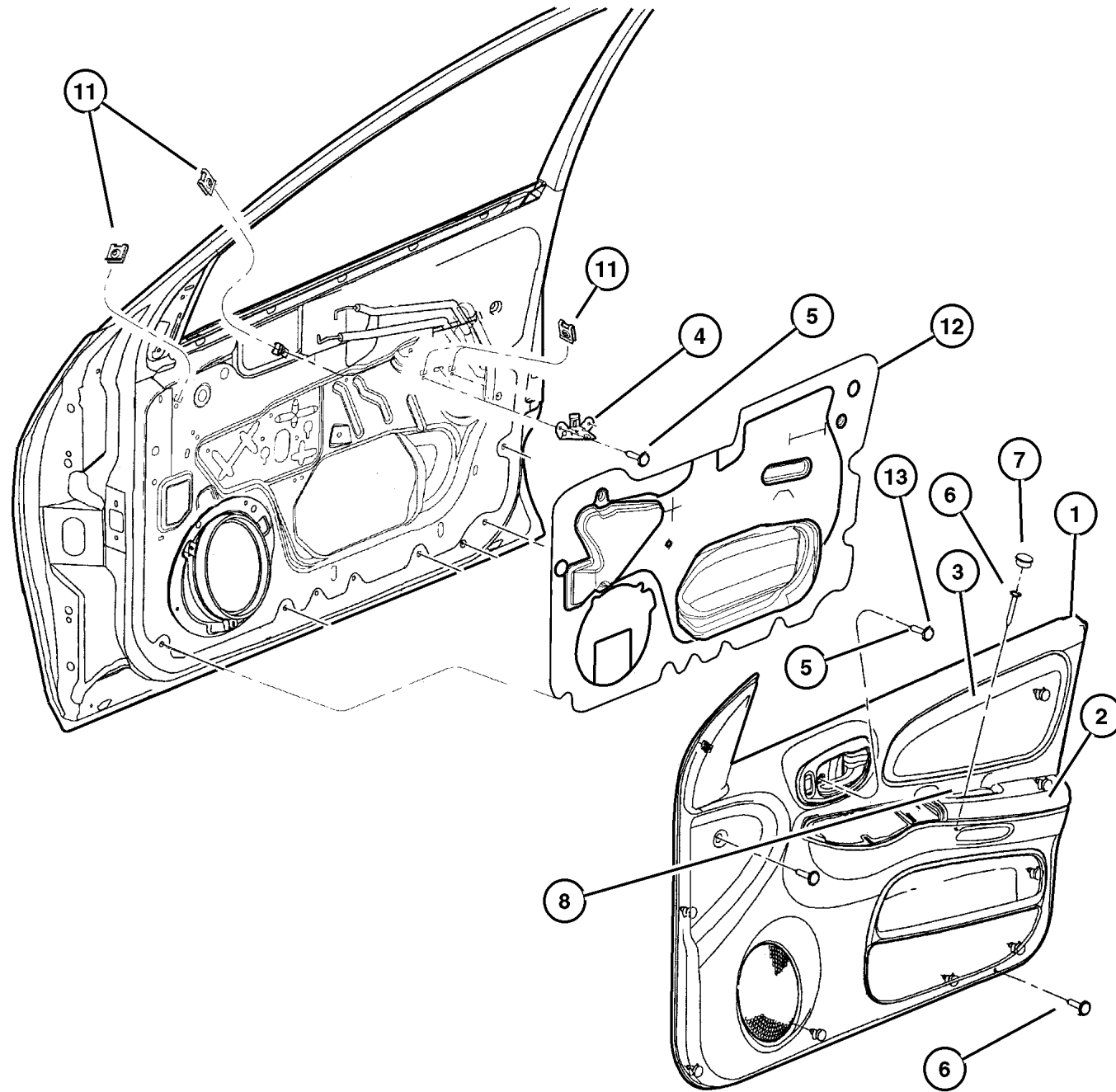
DODGE - CHRYSLER NEON (PL)

SERIES	LINE	BODY	ENGINE	TRANSMISSION
L=Low Line	Z=Chrysler, RHD	41 = 4 Door,	ECB,EC0=2.0L 4 Cyl., 16V SMPI	DD5=5 Speed Manual
H=High Line	D=Dodge	104WB	ECH,EC0=2.0L 4 Cyl, 16V SOHC	DGC=3 Speed Automatic
	D=Chrysler		EJD,EJ0=1.6L 4 Cyl 16V, SOHC	DGL=4 Speed Automatic
	P=Plymouth		EBD,EB0=1.8L 4 Cyl 16V SEF	DG0=All Automatics
				DBB=All 5 Speed Manual

AR = Use as required - = Non illustrated part # = New this model year

May 2, 2002

Door Panels - Front
Figure IPL-410



ITEM	PART NUMBER	QTY	LINE	SERIES	BODY	TRIM	DESCRIPTION
		1				RL	[DV], Left
		1				K7	[DV], Left
		1				B7	[DV], Left
		1				C7	[DV], Left
		1				A7	[DV], Left
-9	6503 167	3					CLIP, Trim Panel, Door Flag Attaching
-10							FASTENER, Trim Panel
	5023 351AA	8				K7	Pin/Grommet With Seal
		8				CL	Pin/Grommet With Seal
		8				R7	Pin/Grommet With Seal
		8				RL	Pin/Grommet With Seal
		8				B7	Pin/Grommet With Seal
		8				C7	Pin/Grommet With Seal
		8				A7	Pin/Grommet With Seal
11							NUT, U, For A .164-15 Screw , (NOT SERVICED)
12							WATERSHIELD, Front Door, (NOT SERVICED)
13							PLUG, Bezel Trim
	SR22 WL5AA	1				RL	[L5]
		1				K7	[L5]
		1				B7	[L5]
		1				CL	[L5]
		1				C7	[L5]
	SR22 XDVAA	1				R7	[DV]
		1				RL	[DV]
		1				K7	[DV]
		1				B7	[DV]
		1				C7	[DV]
		1				CL	[DV]
		1				A7	[DV]

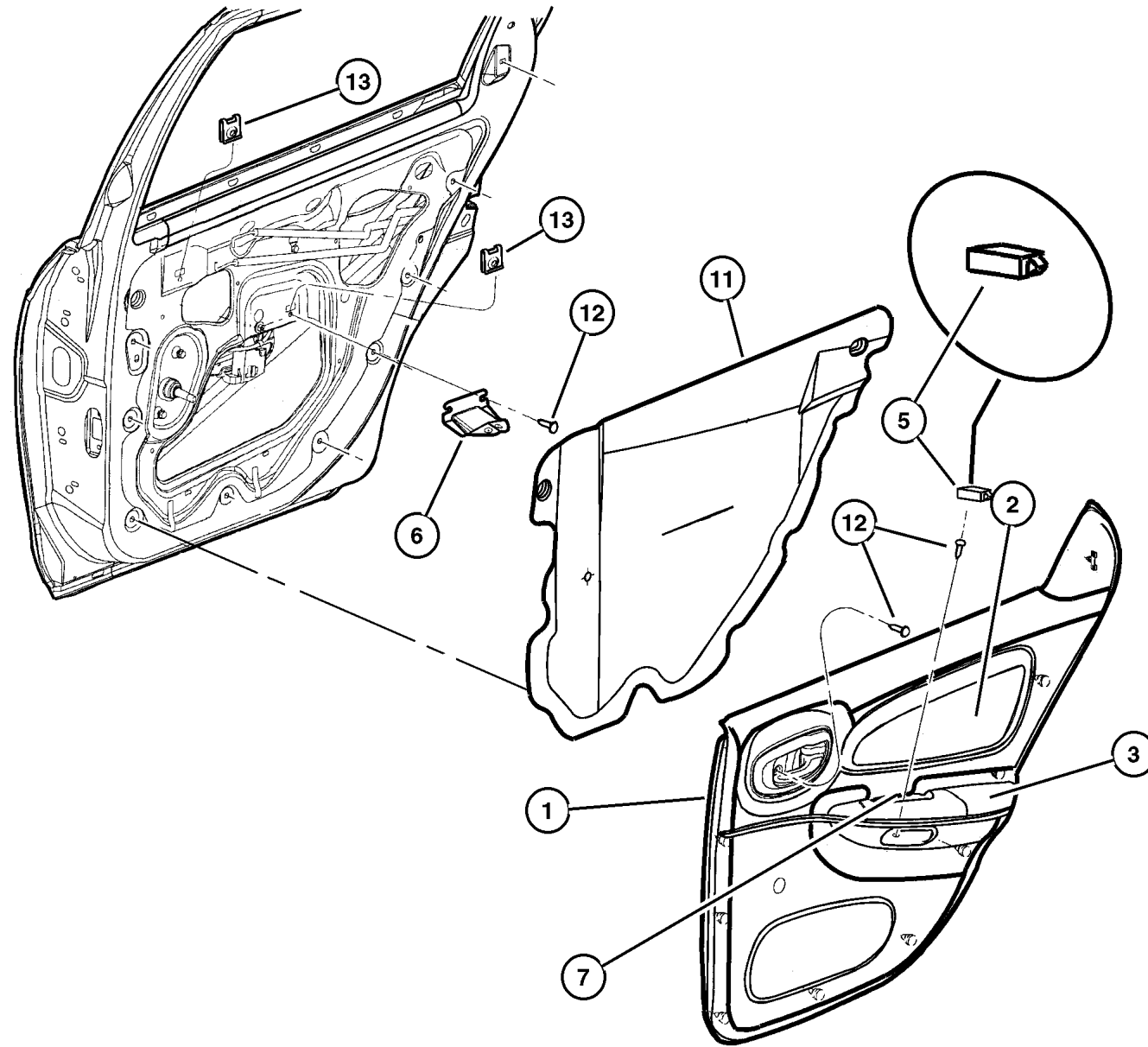
DODGE - CHRYSLER NEON (PL)

SERIES	LINE	BODY	ENGINE	TRANSMISSION
L=Low Line	Z=Chrysler, RHD	41 = 4 Door,	ECB,EC0=2.0L 4 Cyl., 16V SMPI	DD5=5 Speed Manual
H=High Line	D=Dodge	104WB	ECH,EC0=2.0L 4 Cyl, 16V SOHC	DGC=3 Speed Automatic
	D=Chrysler		EJD,EJ0=1.6L 4 Cyl 16V, SOHC	DGL=4 Speed Automatic
	P=Plymouth		EBD,EB0=1.8L 4 Cyl 16V SEF	DG0=All Automatics
				DBB=All 5 Speed Manual

AR = Use as required - = Non illustrated part # = New this model year

May 2, 2002

Door Panels - Rear
Figure IPL-420



ITEM	PART NUMBER	QTY	LINE	SERIES	BODY	TRIM	DESCRIPTION
1							PANEL, Rear Door Trim
	PZ16 WL5AK	1				K7	[L5], Right
	PZ16 XDVAK	1				K7	[DV], Right
	PZ17 WL5AK	1				K7	[L5], Left
	PZ17 XDVAK	1				K7	[DV], Left
	SJ20 WL5AF	1				B7	[L5], Right
		1				C7	[L5], Right
	SJ20 XDVAF	1				B7	[DV], Right
		1				C7	[DV], Right
	SJ21 WL5AF	1				B7	[L5], Left
		1				C7	[L5], Left
	SJ21 XDVAF	1				B7	[DV], Left
		1				C7	[DV], Left
	SL34 1DVAF	1				CL	[DV], Right
	SL34 1L5AF	1				CL	[L5], Right
	SL35 1DVAF	1				CL	[DV], Left
	SL35 1L5AF	1				CL	[L5], Left
	#SJ24 XDVA	1				R7	[DV], Right
	#SJ25 XDVA	1				R7	[DV], Left
	#SV02 XDVA	1				RL	[DV], Right
	#SV03 XDVA	1				RL	[DV], Left
	#TZ18 XDVA	1				A7	[DV], Right
	#TZ19 XDVA	1				A7	[DV], Left
	SL34 1DVAF	1				XL	[DV], Right
	SL34 1L5AF	1				XL	[L5], Right
	SL35 1DVAF	1				XL	[DV], Left
	SL35 1L5AF	1				XL	[L5], Left
2							BOLSTER, Door, Serviced w/Door Panel, (NOT SERVICED)
3							ARMREST, Door, Serviced w/Door Panel, (NOT SERVICED)
-4							BRACKET, Door Pull Cup
	5023 220AA	1					Right
	5023 221AA	1					Left
5							PLUG, Cover
	LB57 WL5	2					[L5], Pull Cup Rear
	LB57 XDV	2					[DV], Pull Cup Rear
6							BRACKET, Door Panel Attaching, (NOT SERVICED)
7							CUP, Door Pull
	QS28 WL5AA	1				CL	[L5], Right
		1				K7	[L5], Right

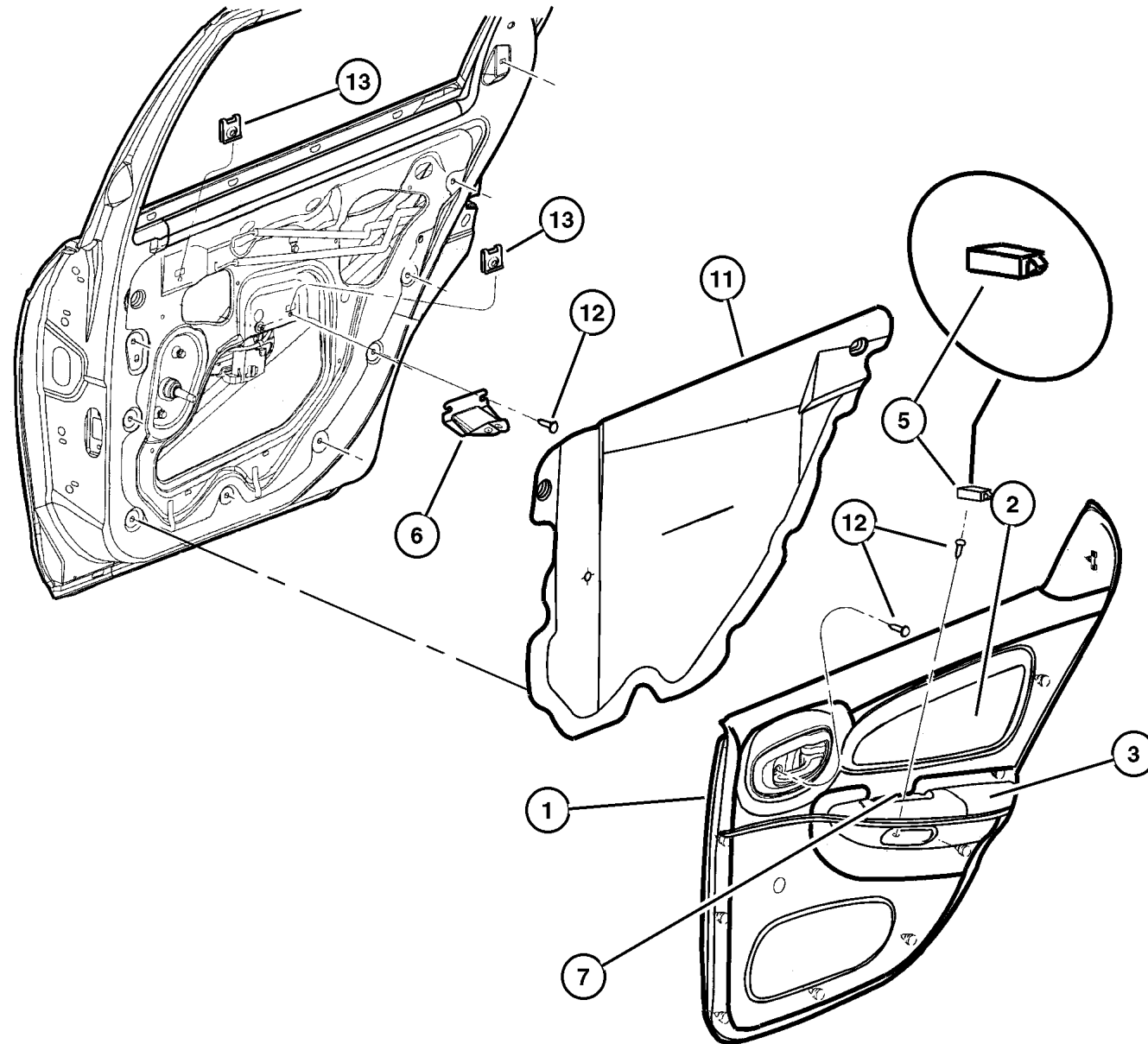
DODGE - CHRYSLER NEON (PL)

SERIES	LINE	BODY	ENGINE	TRANSMISSION
L=Low Line	Z=Chrysler, RHD	41 = 4 Door,	ECB,EC0=2.0L 4 Cyl., 16V SMPI	DD5=5 Speed Manual
H=High Line	D=Dodge	104WB	ECH,EC0=2.0L 4 Cyl, 16V SOHC	DGC=3 Speed Automatic
	D=Chrysler		EJD,EJ0=1.6L 4 Cyl 16V, SOHC	DGL=4 Speed Automatic
	P=Plymouth		EBD,EB0=1.8L 4 Cyl 16V SEF	DG0=All Automatics
				DBB=All 5 Speed Manual

AR = Use as required - = Non illustrated part # = New this model year

May 2, 2002

Door Panels - Rear
Figure IPL-420



ITEM	PART NUMBER	QTY	LINE	SERIES	BODY	TRIM	DESCRIPTION
		1				B7	[L5], Right
		1				C7	[L5], Right
	QS28 XDVAA	1				R7	[DV], Right
		1				CL	[DV], Right
		1				RL	[DV], Right
		1				K7	[DV], Right
		1				B7	[DV], Right
		1				C7	[DV], Right
		1				A7	[DV], Right
	QS29 WL5AA	1				CL	[L5], Left
		1				K7	[L5], Left
		1				B7	[L5], Left
		1				C7	[L5], Left
	QS29 XDVAA	1				R7	[DV], Left
		1				CL	[DV], Left
		1				RL	[DV], Left
		1				K7	[DV], Left
		1				B7	[DV], Left
		1				C7	[DV], Left
		1				A7	[DV], Left
-8	5023 173AA	AR					RETAINER, Trim Panel, Pin/Grommet With Seal
-9	6503 167	3					CLIP, Trim Panel, Door Flag Attaching
-10	6032 723	2					SCREW, Self Tapping, M4.2x1.69x19.05, Door Panel Attaching
11							WATERSHIELD, Rear Door, (NOT SERVICED)
12	0153 921	4					SCREW
13							NUT, U, (NOT SERVICED)
-14							PLUG, Cover
	LB57 WL5	2					[L5], Goes Behind Door Handle
	LB57 XDV	2					[DV], Goes Behind Door Handle

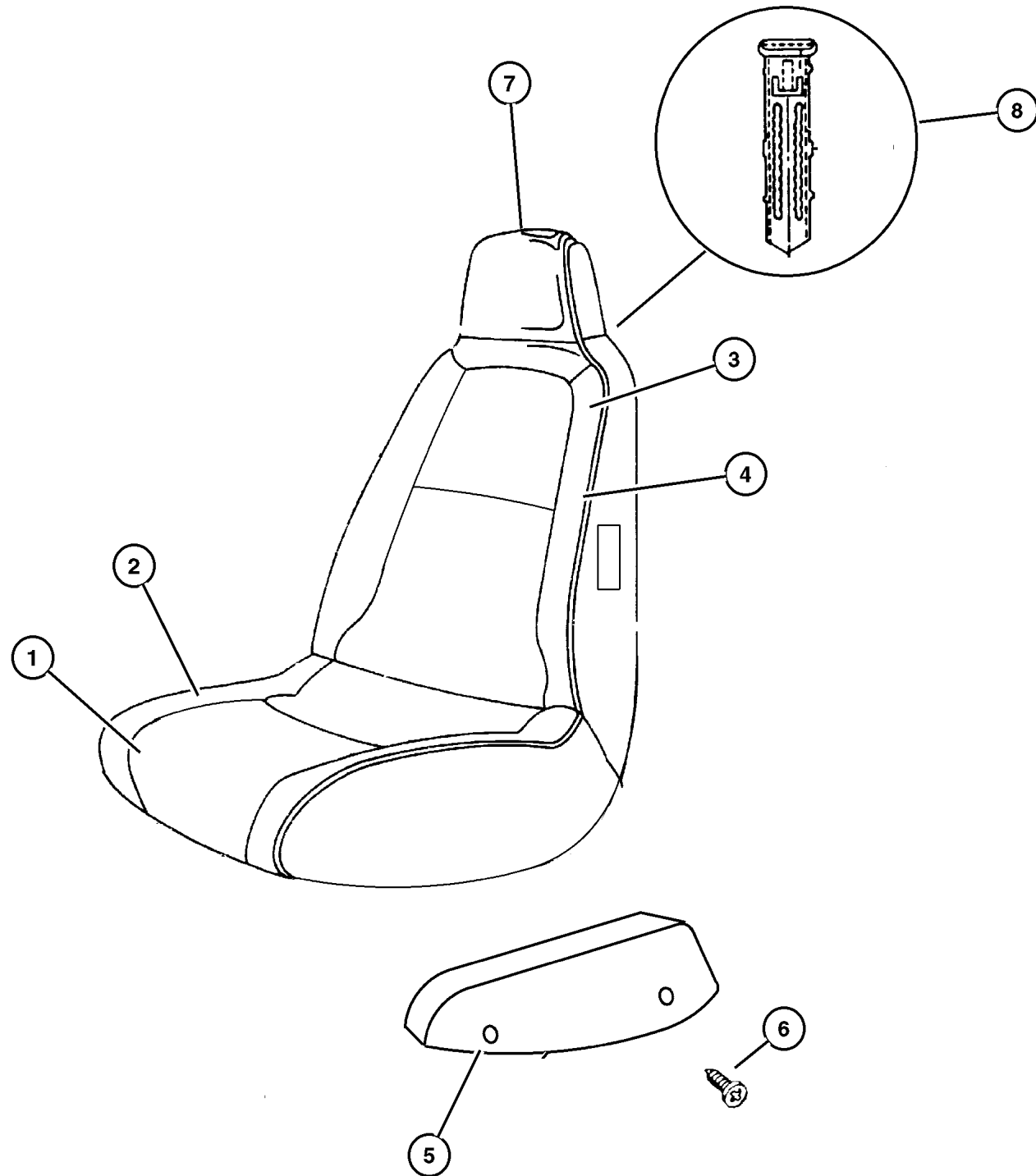
DODGE - CHRYSLER NEON (PL)

SERIES	LINE	BODY	ENGINE	TRANSMISSION
L=Low Line	Z=Chrysler, RHD	41 = 4 Door,	ECB,EC0=2.0L 4 Cyl., 16V SMPI	DD5=5 Speed Manual
H=High Line	D=Dodge	104WB	ECH,EC0=2.0L 4 Cyl, 16V SOHC	DGC=3 Speed Automatic
	D=Chrysler		EJD,EJ0=1.6L 4 Cyl 16V, SOHC	DGL=4 Speed Automatic
	P=Plymouth		EBD,EB0=1.8L 4 Cyl 16V SEF	DG0=All Automatics
				DBB=All 5 Speed Manual

AR = Use as required - = Non illustrated part # = New this model year

May 2, 2002

Seat Front - Trim Code K7
Figure IPL-505



ITEM	PART NUMBER	QTY	LINE	SERIES	BODY	TRIM	DESCRIPTION
1							CUSHION, Front Seat
	SL49 1DVAA	2				K7	[DV], Right & Left
	SL49 1L5AA	2				K7	[L5], Right & Left
2							COVER, Front Seat Cushion
	SL53 1DVAA	2				K7	[DV], Right & Left
	SL53 1L5AA	2				K7	[L5], Right & Left
3							SEAT BACK, Front
	#UA28 1DVAA	1				K7	[DV], With Side Air Bag, Right
	#UA28 1L5AA	1				K7	[L5], With Side Air Bag, Right
	#UA29 1DVAA	1				K7	[DV], With Side Air Bag, Left
	#UA29 1L5AA	1				K7	[L5], With Side Air Bag, Left
	#UA42 1DVAA	1	D, P			K7	[DV], Without Side Air Bag, Right
	#UA42 1L5AA	1	D, P			K7	[L5], Without Side Air Bag, Right
	#UA43 1DVAA	1	D, P			K7	[DV], Without Side Air Bag, Left
	#UA43 1L5AA	1	D, P			K7	[L5], Without Side Air Bag, Left
	#UA44 1DVAA	1	Z			K7	[DV], Right
		1	D, P			K7	[DV] (European), Right
	#UA44 1L5AA	1	D, P			K7	[L5], (European), Right
	#UA45 1DVAA	1	Z			K7	[DV], Left
		1	D, P			K7	[DV], (European), Left
	#UA45 1L5AA	1	D, P			K7	[L5], (European), Left
4							COVER, Front Seat Back
	#UA41 1DVAA	2	D, P			K7	[DV]
	#UA41 1L5AA	2	D, P			K7	[L5]
	#UA46 1DVAA	1	Z			K7	[DV]
		1	D, P			K7	[DV], (European)
	#UA46 1L5AA	1	D, P			K7	[L5], (European)
5							SHIELD, Seat Cushion
	JF76 1DV	1				K7	[DV], Right
	JF76 1L5	1				K7	[L5], Right
	JF77 1DV	1				K7	[DV], Left
	JF77 1L5	1				K7	[L5], Left
6							SCREW, Shield Attaching (10-24x1.30 T20 Torx, (NOT SERVICED))
7							HEADREST, Front
	#UA25 1DVAA	2				K7	[DV]
	#UA25 1L5AA	2				K7	[L5]
8							SLEEVE, Headrest
	#UA16 1DVAA	2				K7	[DV] (Non Locking), Left
	#UA16 1L5AA	2				K7	[L5] (Non Locking), Left
	#UA17 1DVAA	2				K7	[DV], Right, Locking
	#UA17 1L5AA	2				K7	[L5], Right, Locking

DODGE - CHRYSLER NEON (PL)

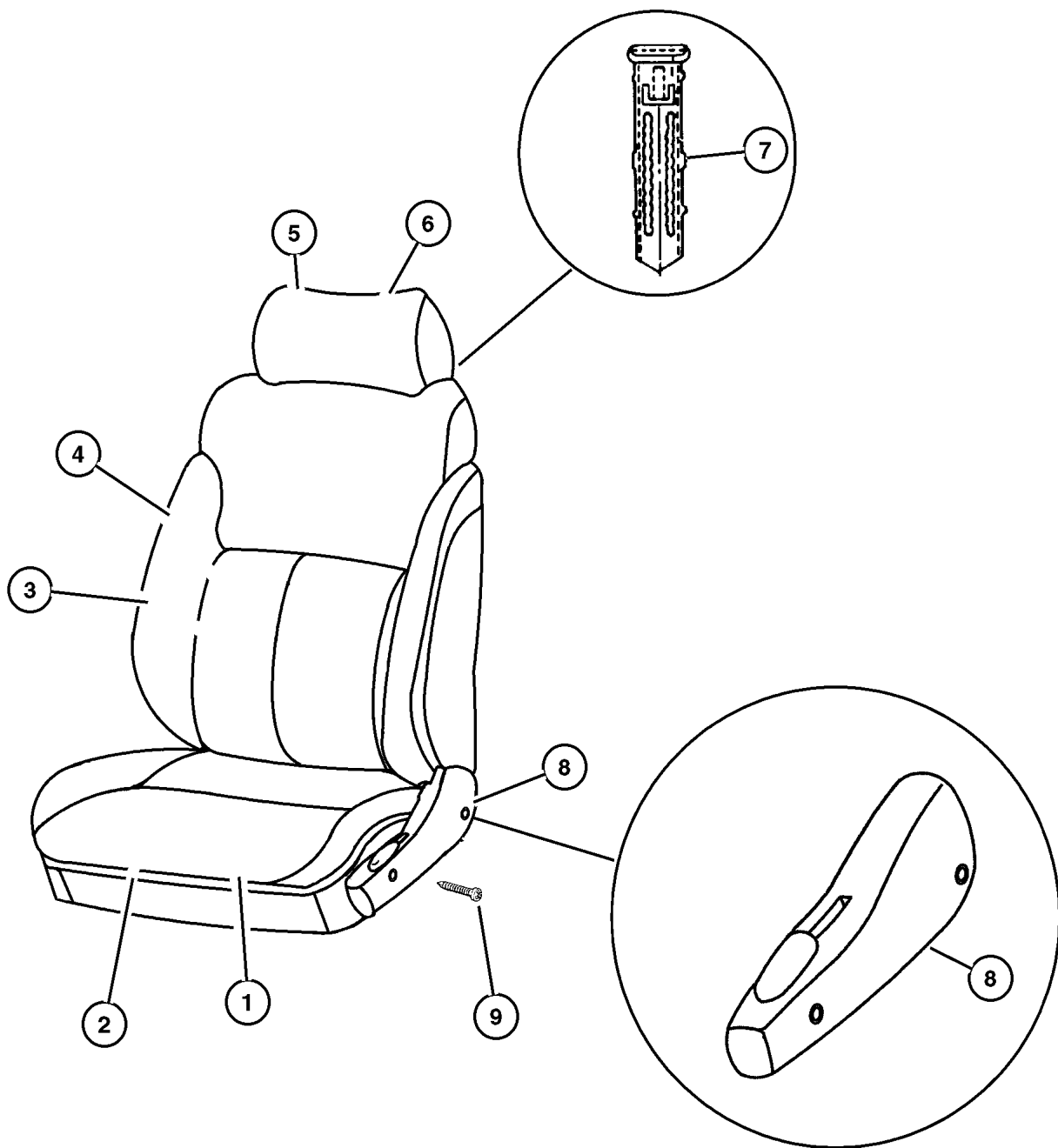
SERIES	LINE	BODY	ENGINE	TRANSMISSION
L=Low Line	Z=Chrysler, RHD	41 = 4 Door,	ECB,EC0=2.0L 4 Cyl., 16V SMPI	DD5=5 Speed Manual
H=High Line	D=Dodge	104WB	ECH,EC0=2.0L 4 Cyl, 16V SOHC	DGC=3 Speed Automatic
	D=Chrysler		EJD,EJ0=1.6L 4 Cyl 16V, SOHC	DGL=4 Speed Automatic
	P=Plymouth		EBD,EB0=1.8L 4 Cyl 16V SEF	DG0=All Automatics
				DBB=All 5 Speed Manual

AR = Use as required - = Non illustrated part # = New this model year

May 2, 2002

Seat Front - Trim Code B7
Figure IPL-510

ITEM	PART NUMBER	QTY	LINE	SERIES	BODY	TRIM	DESCRIPTION
1							CUSHION, Front Seat
	SL90 1DVAA	2	D, P			B7	[DV], Right & Left
	SL90 1L5AA	2	D, P			B7	[L5], Right & Left
2							COVER, Front Seat Cushion
	SL92 1DVAA	2	D, P			B7	[DV], Right & Left
	SL92 1L5AA	2	D, P			B7	[L5], Right & Left
3							SEAT BACK, Front
	#UA54 1DVAA	1	D, P			B7	[DV], Without Side Air Bag, Right
	#UA54 1L5AA	1	D, P			B7	[L5], Without Side Air Bag, Right
	#UA55 1DVAA	1	D, P			B7	[DV], Without Side Air Bag, Left
	#UA55 1L5AA	1	D, P			B7	[L5], Without Side Air Bag, Left
	#UA62 1DVAA	1	D, P			B7	[DV], With Side Air Bag, Right
	#UA62 1L5AA	1	D, P			B7	[L5], With Side Air Bag, Right
	#UA63 1DVAA	1	D, P			B7	[DV], With Side Air Bag, Left
	#UA63 1L5AA	1	D, P			B7	[L5], With Side Air Bag, Left
4							COVER, Front Seat Back
	#UA51 1DVAA	1	D, P			B7	[DV], Right & Left
	#UA51 1L5AA	1	D, P			B7	[L5], Right & Left
5							HEADREST, Front
	#UA49 1DVAA	2	D, P			B7	[DV]
	#UA49 1L5AA	2	D, P			B7	[L5]
6							COVER, Seat Headrest, (NOT SERVICED)
7							SLEEVE, Headrest
	#UA16 1DVAA	2	D, P			B7	[DV] (Non Locking), Left
	#UA16 1L5AA	2	D, P			B7	[L5] (Non Locking), Left
	#UA17 1DVAA	2	D, P			B7	[DV], Right, Locking
	#UA17 1L5AA	2	D, P			B7	[L5], Right, Locking
8							SHIELD, Seat Cushion
	JF76 1DV	1	D, P			B7	[DV], Right
	JF76 1L5	1	D, P			B7	[L5], Right
	JF77 1DV	1	D, P			B7	[DV], Left
	JF77 1L5	1	D, P			B7	[L5], Left
9							SCREW, Side Shield (10-24x1.030 T-20 Torx), (NOT SERVICED)



DODGE - CHRYSLER NEON (PL)

SERIES	LINE	BODY	ENGINE	TRANSMISSION
L=Low Line	Z=Chrysler, RHD	41 = 4 Door,	ECB,EC0=2.0L 4 Cyl., 16V SMPI	DD5=5 Speed Manual
H=High Line	D=Dodge	104WB	ECH,EC0=2.0L 4 Cyl, 16V SOHC	DGC=3 Speed Automatic
	D=Chrysler		EJD,EJ0=1.6L 4 Cyl 16V, SOHC	DGL=4 Speed Automatic
	P=Plymouth		EBD,EB0=1.8L 4 Cyl 16V SEF	DG0=All Automatics
				DBB=All 5 Speed Manual

AR = Use as required - = Non illustrated part # = New this model year

May 2, 2002

Seat Front - Trim Code C7
Figure IPL-515

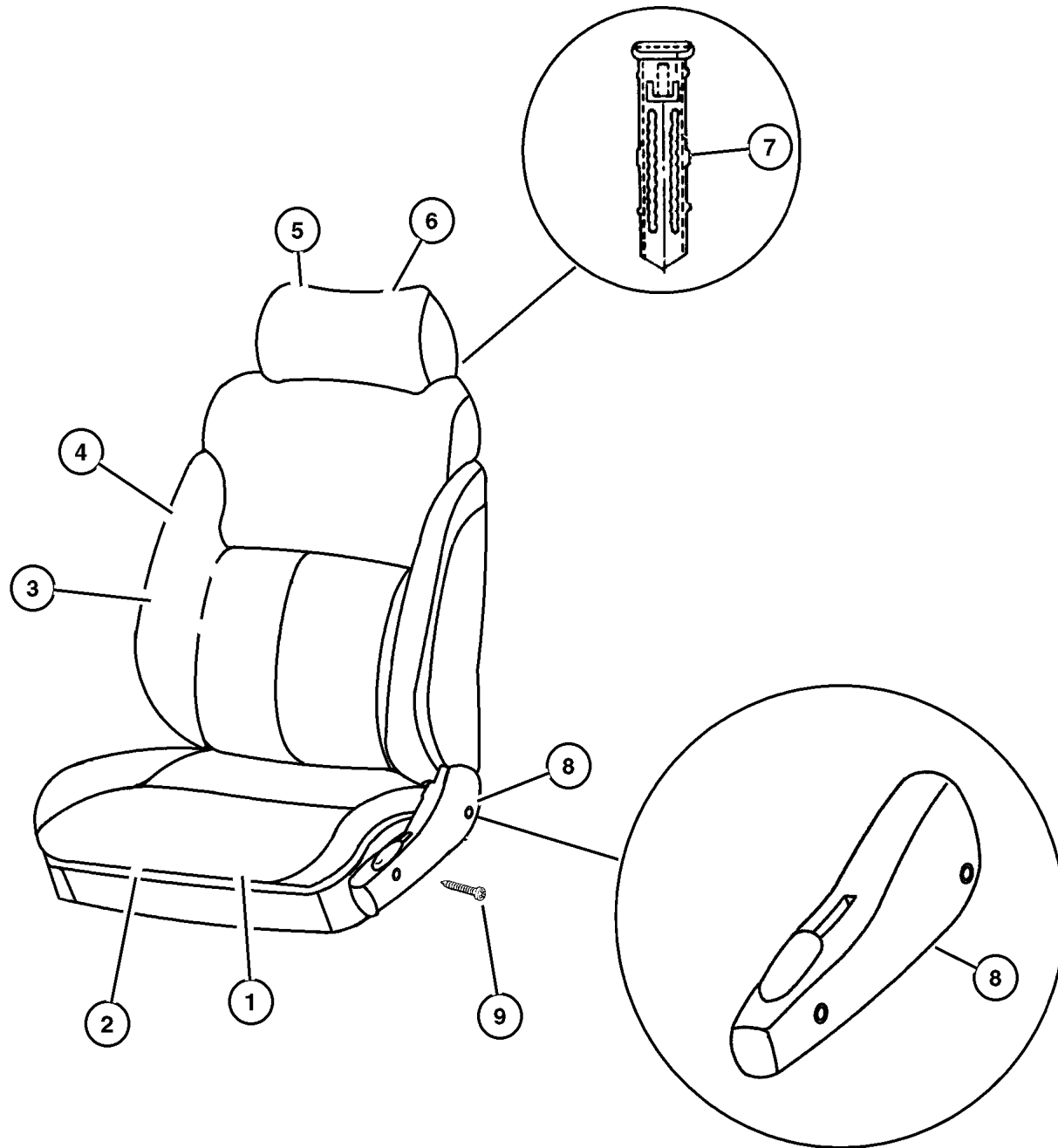
ITEM	PART NUMBER	QTY	LINE	SERIES	BODY	TRIM	DESCRIPTION
1							CUSHION, Front Seat
	SL90 1DVAA	2	D, P			C7	[DV], Right & Left
		2	Z			C7	[DV], Right & Left
	SL90 1L5AA	2	D, P			C7	[L5], Right & Left
		2	Z			C7	[L5], Right & Left
2							COVER, Front Seat Cushion
	SL92 1DVAA	2	D, P			C7	[DV], Right & Left
		2	Z			C7	[DV], Right & Left
	SL92 1L5AA	2	D, P			C7	[L5], Right & Left
		2	Z			C7	[L5], Right & Left
3							SEAT BACK, Front
	#UA62 1DVAA	1	D, P			C7	[DV], With Side Airbag, Right
		1	Z			C7	[DV], With Side Airbag, Right
	#UA62 1L5AA	1	D, P			C7	[L5], With Side Airbag, Right
		1	Z			C7	[L5], With Side Airbag, Right
	#UA63 1DVAA	1	D, P			C7	[DV], With Side Airbag, Left
		1	Z			C7	[DV], With Side Airbag, Left
	#UA63 1L5AA	1	D, P			C7	[L5], With Side Airbag, Left
		1	Z			C7	[L5], With Side Airbag, Left
	#UH74 1DVAA	1	D, P			C7	[DV], Without Side Airbag, Right
		1	Z			C7	[DV], Without Side Airbag, Right
	#UH74 1L5AA	1	D, P			C7	[L5], Without Side Airbag, Right
		1	Z			C7	[L5], Without Side Airbag, Right
	#UH75 1DVAA	1	D, P			C7	[DV], Without Side Airbag, Left
		1	Z			C7	[DV], Without Side Airbag, Left
	#UH75 1L5AA	1	D, P			C7	[L5], Without Side Airbag, Left
		1	Z			C7	[L5], Without Side Airbag, Left
4							COVER, Front Seat Back
	#UT76 1DVAA	1	D, P			C7	[DV], Right & Left
		1	Z			C7	[DV], Right & Left
	#UT76 1L5AA	2	D, P			C7	[L5], Right & Left
		2	Z			C7	[L5], Right & Left
5							HEADREST, Front
	#UA59 1DVAA	2	Z			C7	[DV]
		2	D, P			C7	[DV]
	#UA59 1L5AA	2	D, P			C7	[L5]
		2	Z			C7	[L5]
6							COVER, Seat Headrest, (NOT SERVICED)
7							SLEEVE, Headrest
	#UA16 1DVAA	2	D, P			C7	[DV] (Non Locking), Left
		2	Z			C7	[DV] (Non Locking), Left
	#UA16 1L5AA	2	D, P			C7	[L5] (Non Locking), Left

DODGE - CHRYSLER NEON (PL)

SERIES	LINE	BODY	ENGINE	TRANSMISSION
L=Low Line	Z=Chrysler, RHD	41 = 4 Door,	ECB,EC0=2.0L 4 Cyl., 16V SMPI	DD5=5 Speed Manual
H=High Line	D=Dodge	104WB	ECH,EC0=2.0L 4 Cyl, 16V SOHC	DGC=3 Speed Automatic
	D=Chrysler		EJD,EJ0=1.6L 4 Cyl 16V, SOHC	DGL=4 Speed Automatic
	P=Plymouth		EBD,EB0=1.8L 4 Cyl 16V SEF	DG0=All Automatics
				DBB=All 5 Speed Manual

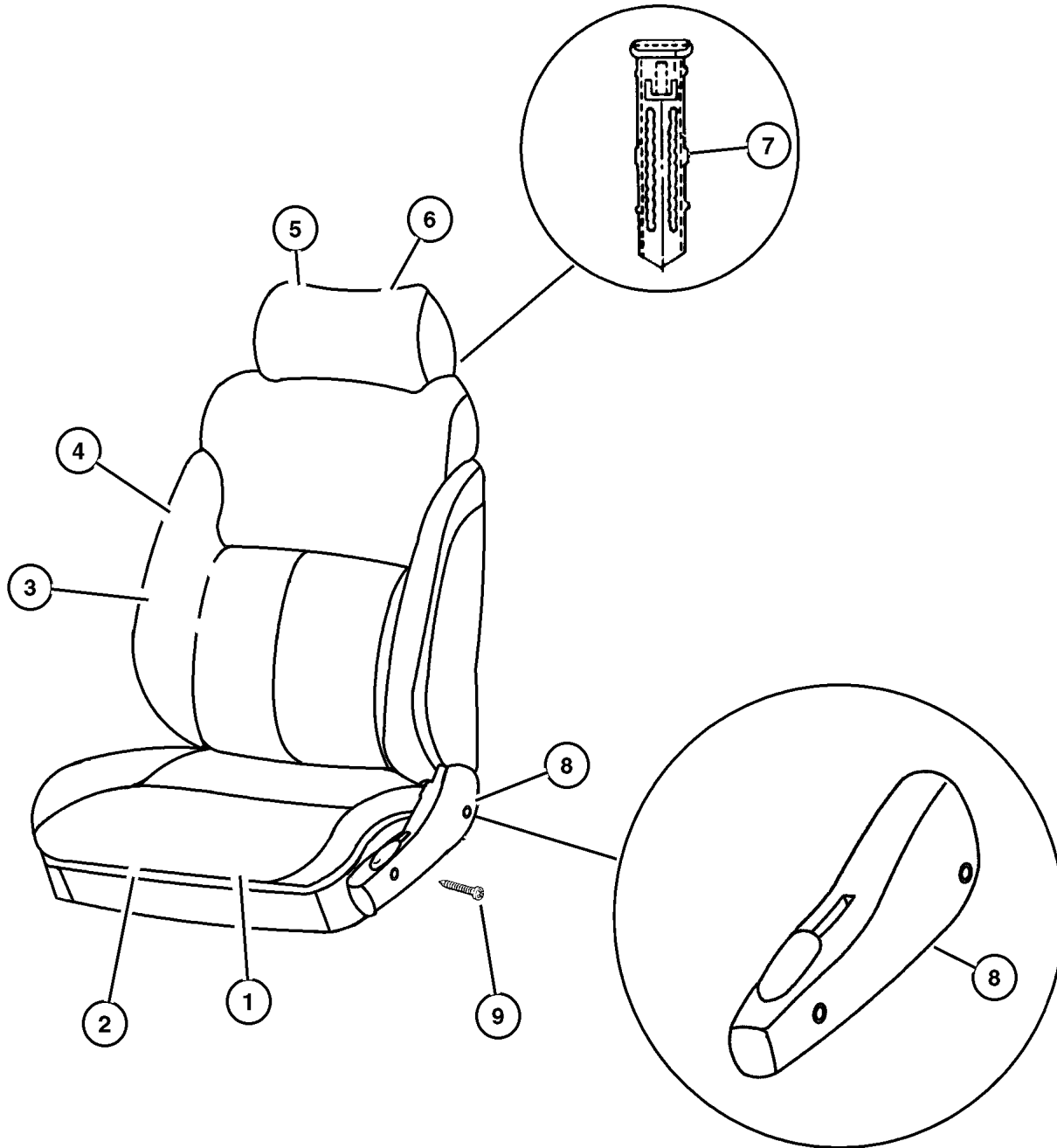
AR = Use as required - = Non illustrated part # = New this model year

May 2, 2002



Seat Front - Trim Code C7
Figure IPL-515

ITEM	PART NUMBER	QTY	LINE	SERIES	BODY	TRIM	DESCRIPTION
		2	Z			C7	[L5] (Non Locking), Left
	#UA17 1DVAA	2	D, P			C7	[DV], Right,Locking
		2	Z			C7	[DV], Right,Locking
	#UA17 1L5AA	2	D, P			C7	[L5], Right,Locking
		2	Z			C7	[L5], Right,Locking
8							SHIELD, Seat Cushion
	JF76 1DV	1	D, P			C7	[DV], Right
	JF76 1L5	1	D, P			C7	[L5], Right
	JF77 1DV	1	Z			C7	[DV], Left
	JF77 1L5	1	Z			C7	[L5], Left
	#UA12 1DVAA	1	Z			C7	[DV], Right
	#UA12 1L5AA	1	Z			C7	[L5], Right
	#UA13 1DVAA	1	D, P			C7	[DV], Left
	#UA13 1L5AA	1	D, P			C7	[L5], Left
9							SCREW, Side Shield (10-24x1.030 T-20 Torx), (NOT SERVICED)



DODGE - CHRYSLER NEON (PL)

SERIES	LINE	BODY	ENGINE	TRANSMISSION
L=Low Line	Z=Chrysler, RHD	41 = 4 Door,	ECB,EC0=2.0L 4 Cyl., 16V SMPI	DD5=5 Speed Manual
H=High Line	D=Dodge	104WB	ECH,EC0=2.0L 4 Cyl, 16V SOHC	DGC=3 Speed Automatic
	D=Chrysler		EJD,EJ0=1.6L 4 Cyl 16V, SOHC	DGL=4 Speed Automatic
	P=Plymouth		EBD,EB0=1.8L 4 Cyl 16V SEF	DG0=All Automatics
				DBB=All 5 Speed Manual

AR = Use as required - = Non illustrated part # = New this model year

May 2, 2002

Seat Front - Trim Code CL, R7
Figure IPL-520

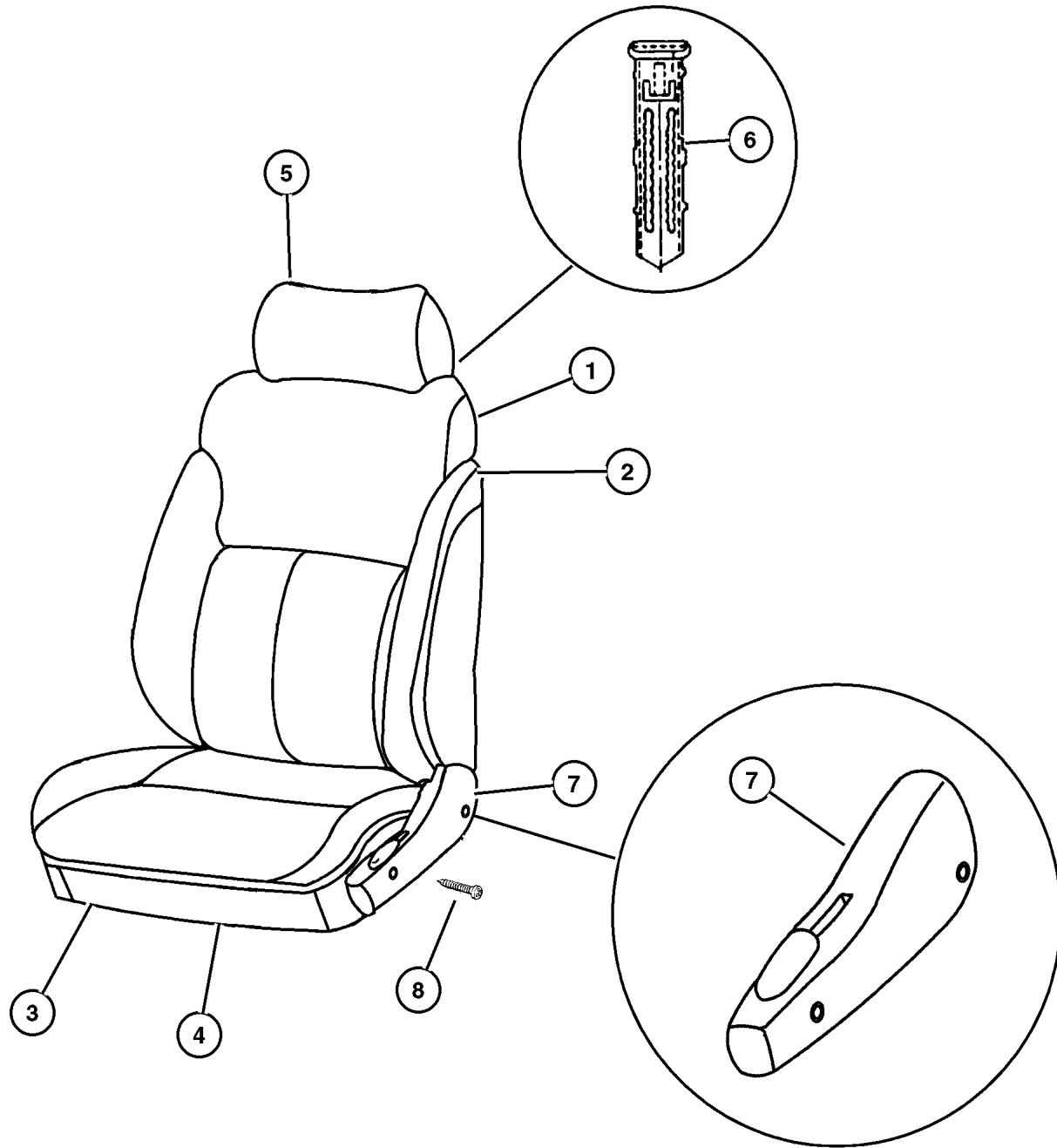
ITEM	PART NUMBER	QTY	LINE	SERIES	BODY	TRIM	DESCRIPTION
1							SEAT BACK, Front
	#TZ94 1DVAA	1				R7	[DV], With Side Air Bag, Right
	#TZ95 1DVAA	1				R7	[DV], With Side Air Bag, Left
	#UA26 1DVAA	1	D, P			CL	[DV], With Side Air Bag, Right
		1	Z			CL	[DV], With Side Air Bag, Right
	#UA26 1L5AA	1	D, P			CL	[L5], With Side Air Bag, Right
		1	Z			CL	[L5], With Side Air Bag, Right
	#UA27 1DVAA	1	D, P			CL	[DV], With Side Air Bag, Left
		1	Z			CL	[DV], With Side Air Bag, Left
	#UA27 1L5AA	1	D, P			CL	[L5], With Side Air Bag, Left
		1	Z			CL	[L5], With Side Air Bag, Left
	#UA18 1DVAA	1				R7	[DV], Without Side Air Bag, Right
	#UA19 1DVAA	1				R7	[DV], Without Side Air Bag, Left
2	#UA10 1DVAA	2				R7	COVER, Front Seat Back, [DV], Right & Left
3							CUSHION, Front Seat
	TB92 1DVAA	1	Z			CL	[DV], Right
		1	D, P			CL	[DV], Right
	TB92 1L5AA	1	Z			CL	[L5], Right
		1	D, P			CL	[L5], Right
	TB93 1DVAA	1	Z			CL	[DV], Left
		1	D, P			CL	[DV], Left
	TB93 1L5AA	1	Z			CL	[L5], Left
		1	D, P			CL	[L5], Left
	#TZ96 1DVAA	2				R7	[DV], Right
	#TZ97 1DVAA	2				R7	[DV], Left
4							COVER, Front Seat Cushion
	TB98 1DVAA	1	D, P			CL	[DV], Right
		1	Z			CL	[DV], Right
	TB98 1L5AA	1	D, P			CL	[L5], Right
		1	Z			CL	[L5], Right
	TB99 1DVAA	1	D, P			CL	[DV], Left
		1	Z			CL	[DV], Left
	TB99 1L5AA	1	D, P			CL	[L5], Left
		1	Z			CL	[L5], Left
	#UA06 1DVAA	2				R7	[DV], Right
	#UA07 1DVAA	2				R7	[DV], Left
5							HEADREST, Front
	#UA03 1DVAA	2	D, P			CL	[DV]
		2	Z			CL	[DV]
	#UA08 1DVAA	2				R7	[DV]
	#UA03 1L5AA	2	D, P			CL	[L5]
		2	Z			CL	[L5]
6							SLEEVE, Headrest

DODGE - CHRYSLER NEON (PL)

SERIES	LINE	BODY	ENGINE	TRANSMISSION
L=Low Line	Z=Chrysler, RHD	41 = 4 Door,	ECB,EC0=2.0L 4 Cyl., 16V SMPI	DD5=5 Speed Manual
H=High Line	D=Dodge	104WB	ECH,EC0=2.0L 4 Cyl, 16V SOHC	DGC=3 Speed Automatic
	D=Chrysler		EJD,EJ0=1.6L 4 Cyl 16V, SOHC	DGL=4 Speed Automatic
	P=Plymouth		EBD,EB0=1.8L 4 Cyl 16V SEF	DG0=All Automatics
				DBB=All 5 Speed Manual

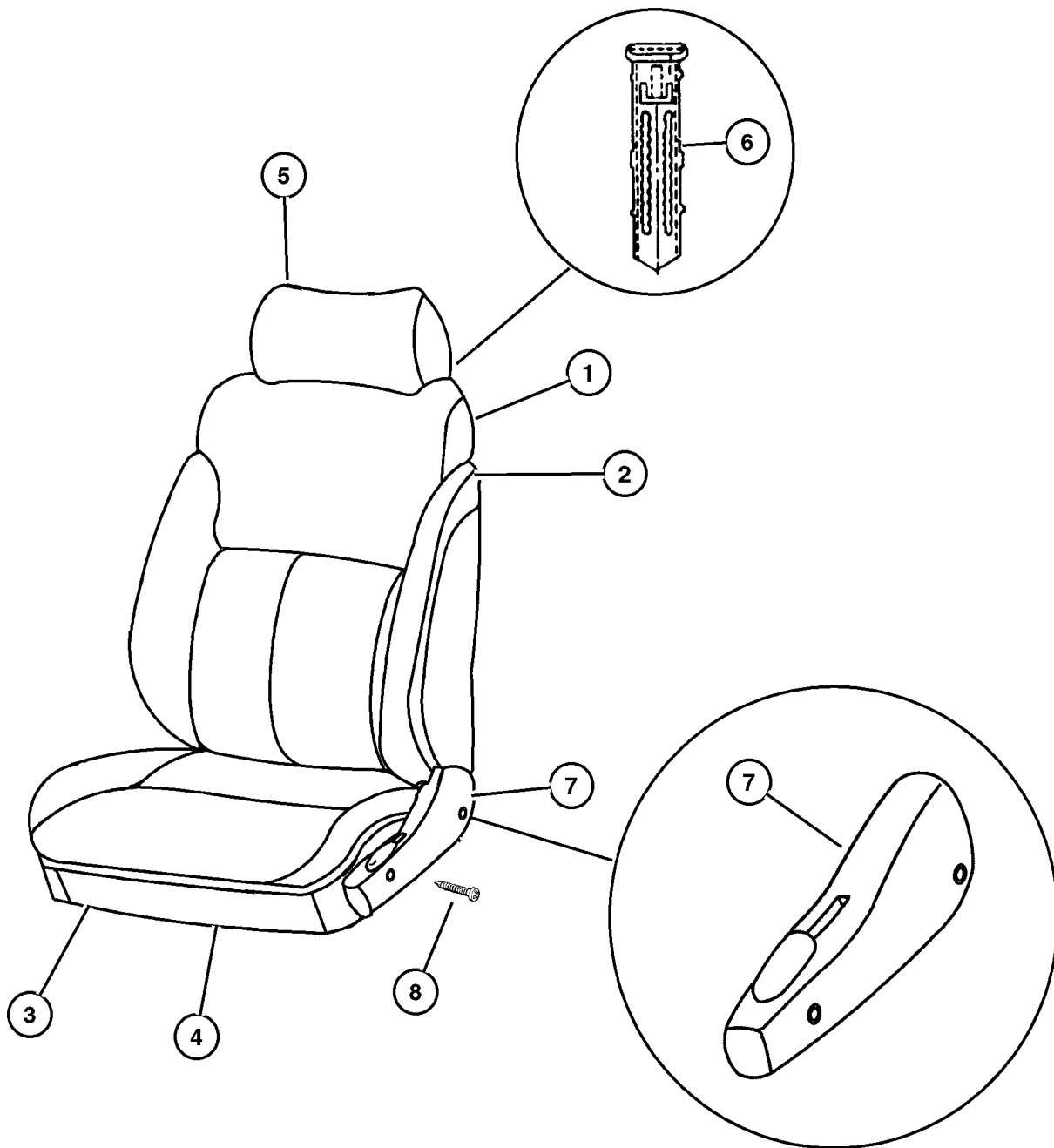
AR = Use as required - = Non illustrated part # = New this model year

May 2, 2002



Seat Front - Trim Code CL, R7
Figure IPL-520

ITEM	PART NUMBER	QTY	LINE	SERIES	BODY	TRIM	DESCRIPTION
	#UA16 1DVAA	2	D, P			CL	[DV] (Non Locking), Left
		2	Z			CL	[DV] (Non Locking), Left
		2				R7	[DV] (Non Locking), Left
	#UA17 1DVAA	2				R7	[DV], Right,Locking
	#UA17 1L5AA	2	D, P			CL	[L5], Right,Locking
		2	Z			CL	[L5], Right,Locking
7							SHIELD, Seat Cushion
	JF76 1L5	1	D, P			CL	[L5], Right
	JF76 1DV	1	D, P			CL	[DV], Right
	#UA13 1L5AA	1	D, P			CL	[L5], Left
	#UA13 1DVAA	1	D, P			CL	[DV], Left
	#UA12 1L5AA	1	Z			CL	[L5], Right
	#UA12 1DVAA	1	Z			CL	[DV], Right
	JF77 1L5	1	Z			CL	[L5], Left
	JF77 1DV	1	Z			CL	[DV], Left
	JF76 1DV	1				R7	[DV], Right
	JF77 1DV	1				R7	[DV], Left
8							SCREW, (NOT SERVICED)



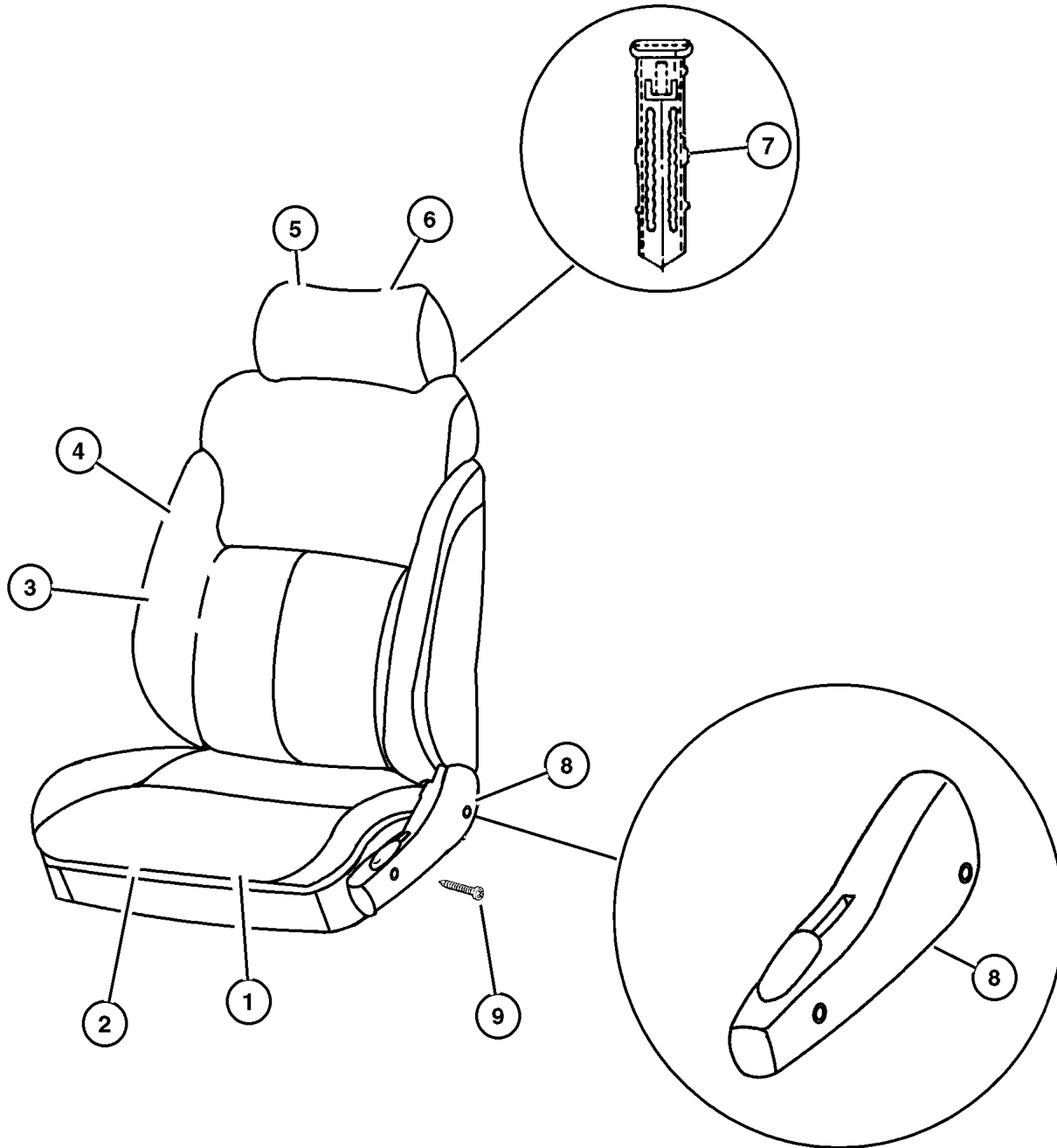
DODGE - CHRYSLER NEON (PL)				
SERIES	LINE	BODY	ENGINE	TRANSMISSION
L=Low Line	Z=Chrysler, RHD	41 = 4 Door,	ECB,EC0=2.0L 4 Cyl., 16V SMPI	DD5=5 Speed Manual
H=High Line	D=Dodge	104WB	ECH,EC0=2.0L 4 Cyl, 16V SOHC	DGC=3 Speed Automatic
	D=Chrysler		EJD,EJ0=1.6L 4 Cyl 16V, SOHC	DGL=4 Speed Automatic
	P=Plymouth		EBD,EB0=1.8L 4 Cyl 16V SEF	DG0=All Automatics
				DBB=All 5 Speed Manual

AR = Use as required - = Non illustrated part # = New this model year

May 2, 2002

Seat Front - Trim Code A7
Figure IPL-525

ITEM	PART NUMBER	QTY	LINE	SERIES	BODY	TRIM	DESCRIPTION
1	#TZ96 1DVAA	2				A7	CUSHION, Front Seat, [DV], Right & Left
2	#UA06 1DVAA	2				A7	COVER, Front Seat Cushion, [DV], Right & Left
3							SEAT BACK, Front
	#TZ94 1DVAA	1				A7	[DV], With Side Air Bag, Right
	#TZ95 1DVAA	1				A7	[DV], With Side Air Bag, Left
	#UA18 1DVAA	1				A7	[DV], Right
	#UA19 1DVAA	1				A7	[DV], Left
4	#UA10 1DVAA	2				A7	COVER, Front Seat Back, [DV]
5	#UA08 1DVAA	2				A7	HEADREST, Front, [DV], Right & Left
6							COVER, Seat Headrest, (NOT SERVICED)
7							SLEEVE, Headrest
	#UA16 1DVAA	1				A7	[DV] (Non Locking), Left
	#UA17 1DVAA	1				A7	[DV], Right, Locking
8							SHIELD, Seat Cushion
	JF76 1DV	1				A7	[DV], Right
	JF77 1DV	1				A7	[DV], Left
9							SCREW, Side Shield (10-24x1.030 T-20 Torx), (NOT SERVICED)



DODGE - CHRYSLER NEON (PL)				
SERIES	LINE	BODY	ENGINE	TRANSMISSION
L=Low Line	Z=Chrysler, RHD	41 = 4 Door,	ECB,EC0=2.0L 4 Cyl., 16V SMPI	DD5=5 Speed Manual
H=High Line	D=Dodge	104WB	ECH,EC0=2.0L 4 Cyl, 16V SOHC	DGC=3 Speed Automatic
	D=Chrysler		EJD,EJ0=1.6L 4 Cyl 16V, SOHC	DGL=4 Speed Automatic
	P=Plymouth		EBD,EB0=1.8L 4 Cyl 16V SEF	DG0=All Automatics
				DBB=All 5 Speed Manual

AR = Use as required - = Non illustrated part # = New this model year

May 2, 2002

Seat Front - Trim Code RL, XL
Figure IPL-530

ITEM	PART NUMBER	QTY	LINE	SERIES	BODY	TRIM	DESCRIPTION
------	-------------	-----	------	--------	------	------	-------------

NOTE: [CGS] = Air Bag n key.

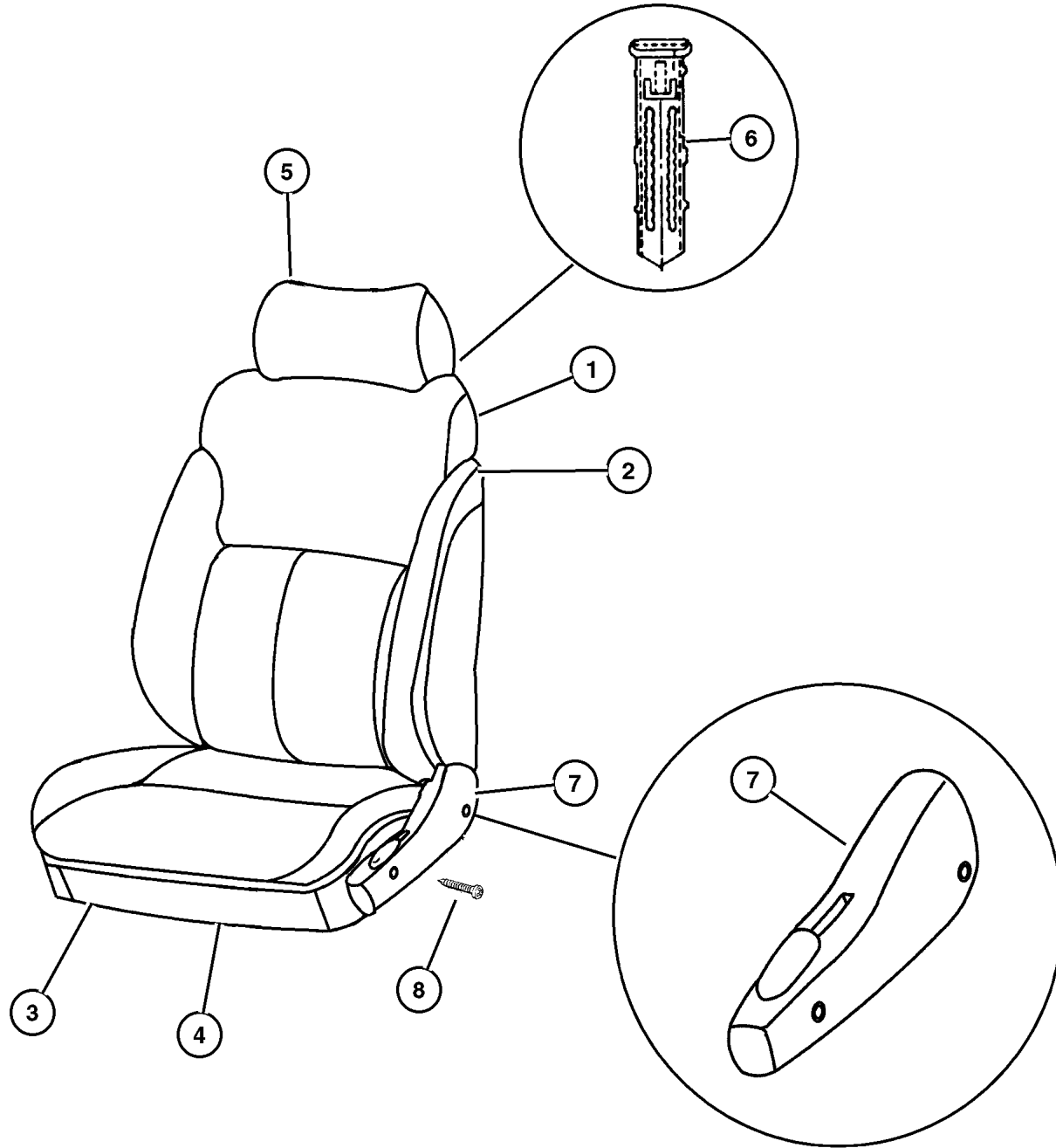
1							SEAT BACK, Front
	#UA26 1DVAA	1				RL	[DV], With [CGS], Right
	#UA26 1L5AA	1				RL	[L5], With [CGS], Right
	#UA27 1DVAA	1				RL	[DV], With [CGS], Left
	#UA27 1L5AA	1				RL	[L5], With [CGS], Left
	#UA26 1DVAA	1				XL	[DV], With [CGS], Right
	#UA26 1L5AA	1				XL	[L5], With [CGS], Right
	#UA27 1DVAA	1				XL	[DV], With [CGS], Left
	#UA27 1L5AA	1				XL	[L5], With [CGS], Left
	#WG88 1DVAA	1	D, P			RL	[DV], Without [CGS], Right
	#WG89 1DVAA	1	D, P			RL	[DV], Without [CGS], Left
	#WG88 1DVAA	1	D, P			XL	[DV], Without [CGS], Right
	#WG88 1L5AA	1	D, P			XL	[L5], Without [CGS], Right
	#WG89 1DVAA	1	D, P			XL	[DV], Without [CGS], Left
	#WG89 1L5AA	1	D, P			XL	[L5], Without [CGS], Left
2							COVER, Front Seat Back
	#WG90 1DVAA	2	D, P			RL	[DV], Without [CGS]
		2	D, P			XL	[DV], Without [CGS]
	#WG90 1L5AA	2	D, P			XL	[L5], Without [CGS]
3							CUSHION, Front Seat
	TB92 1DVAA	1				RL	[DV], Right
	TB93 1DVAA	1				RL	[DV], Left
	TB92 1DVAA	1				XL	[DV], Right
	TB92 1L5AA	1				XL	[L5], Right
	TB93 1DVAA	1				XL	[DV], Left
	TB93 1L5AA	1				XL	[L5], Left
4							COVER, Front Seat Cushion
	TB98 1DVAA	1				RL	[DV], Right
	TB98 1L5AA	1				RL	[L5], Right
	TB99 1DVAA	1				RL	[DV], Left
		1				RL	[L5], Left
	TB98 1DVAA	1				XL	[DV], Right
	TB98 1L5AA	1				XL	[L5], Right
	TB99 1DVAA	1				XL	[DV], Left
	TB99 1L5AA	1				XL	[L5], Left
5							HEADREST, Front
	TC10 1DVAA	1				RL	[DV], Right & Left
		2				XL	[DV], Right & Left
	TC10 1L5AA	2				XL	[L5], Right & Left
6							SLEEVE, Headrest
	#UA16 1DVAA	2				RL	[DV] (Non Locking), Left

DODGE - CHRYSLER NEON (PL)

SERIES	LINE	BODY	ENGINE	TRANSMISSION
L=Low Line	Z=Chrysler, RHD	41 = 4 Door,	ECB,EC0=2.0L 4 Cyl., 16V SMPI	DD5=5 Speed Manual
H=High Line	D=Dodge	104WB	ECH,EC0=2.0L 4 Cyl, 16V SOHC	DGC=3 Speed Automatic
	D=Chrysler		EJD,EJ0=1.6L 4 Cyl 16V, SOHC	DGL=4 Speed Automatic
	P=Plymouth		EBD,EB0=1.8L 4 Cyl 16V SEF	DG0=All Automatics
				DBB=All 5 Speed Manual

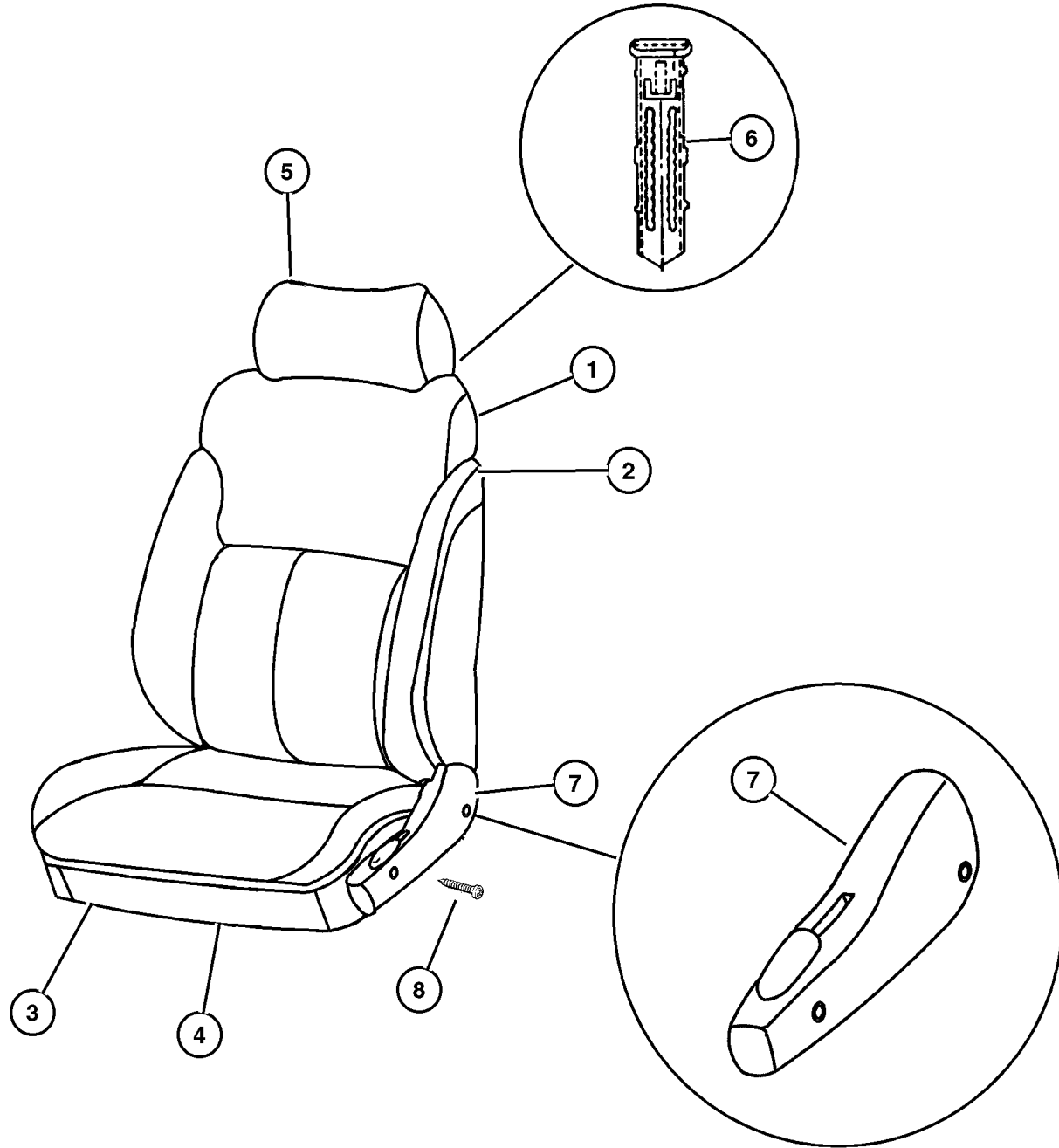
AR = Use as required - = Non illustrated part # = New this model year

May 2, 2002



Seat Front - Trim Code RL, XL
Figure IPL-530

ITEM	PART NUMBER	QTY	LINE	SERIES	BODY	TRIM	DESCRIPTION
	#UA17 1DVAA	2				RL	[DV], Right,Locking
	#UA16 1DVAA	2				XL	[DV] (Non Locking), Left
	#UA16 1L5AA	2				XL	[L5], Left
	#UA17 1DVAA	2				XL	[DV] (Non Locking), Right,Locking
	#UA17 1L5AA	2				XL	[L5], Right,Locking
7							SHIELD, Seat Cushion
	JF76 1DV	1				RL	[DV], Right
	JF77 1DV	1				RL	[DV], Left
	JF76 1DV	1	D, P			XL	[DV], Right
	JF76 1L5	1				XL	[L5], Right
	JF77 1DV	1	D, P			XL	[DV], Left
	JF77 1L5	1				XL	[L5], Left
8							SCREW, (NOT SERVICED)

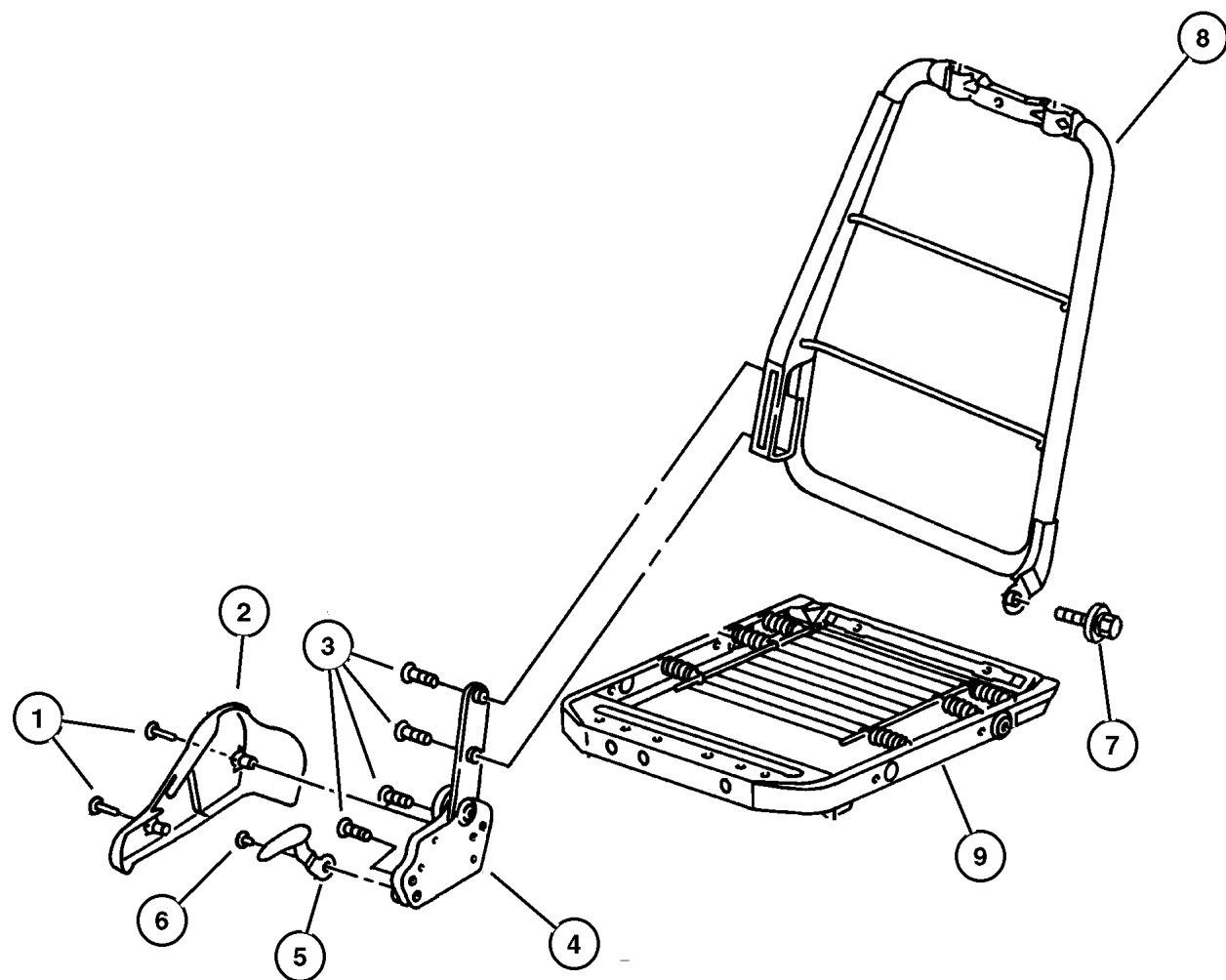


DODGE - CHRYSLER NEON (PL)				
SERIES	LINE	BODY	ENGINE	TRANSMISSION
L=Low Line	Z=Chrysler, RHD	41 = 4 Door,	ECB,EC0=2.0L 4 Cyl., 16V SMPI	DD5=5 Speed Manual
H=High Line	D=Dodge	104WB	ECH,EC0=2.0L 4 Cyl, 16V SOHC	DGC=3 Speed Automatic
	D=Chrysler		EJD,EJ0=1.6L 4 Cyl 16V, SOHC	DGL=4 Speed Automatic
	P=Plymouth		EBD,EB0=1.8L 4 Cyl 16V SEF	DG0=All Automatics
				DBB=All 5 Speed Manual

AR = Use as required - = Non illustrated part # = New this model year

May 2, 2002

Seat Reclining - Attaching Parts Figure IPL-535



ITEM	PART NUMBER	QTY	LINE	SERIES	BODY	TRIM	DESCRIPTION
1							SCREW, Side Shield Attaching (10-24x1.030 T-20 Torx), (NOT SERVICED)
2	JF76 1DV	1	D, P			CL	SHIELD, Seat Cushion [DV], Right
		1				RL	[DV], Right
		1				R7	[DV], Right
		1				K7	[DV], Right
		1				A7	[DV], Right
		1	D, P			B7	[DV], Right
	JF76 1L5	1	D, P			C7	[DV], Right
		1	D, P			CL	[L5], Right
		1	D, P			K7	[L5], Right
		1	Z			K7	[L5], Right
		1	D, P			B7	[L5], Right
		1	D, P			C7	[L5], Right
	JF77 1DV	1	Z			CL	[DV], Left
		1	D, P			K7	[DV], Left
		1	Z			K7	[DV], Left
		1	Z			C7	[DV], Left
		1				A7	[DV], Left
		1	D, P			B7	[DV], Left
		1				RL	[DV], Left
		1				R7	[DV], Left
	JF77 1L5	1	Z			CL	[L5], Left
		1	D, P			K7	[L5], Left
	#UA12 1DVAA	1	Z			C7	[L5], Left
		1	Z			CL	[DV], With Power, Right
	#UA13 1DVAA	1	D, P			C7	[DV], With Power, Right
		1	Z			CL	[DV], With Power, Left
		1	D, P			C7	[DV], With Power, Left
	#UA13 1L5AA	1	D, P			CL	[L5], With Power, Left
3							BOLT, Recliner
	4746 997	1	D, P			CL	
		1	Z			CL	
		1				RL	
		1	D, P			K7	
		2	D, P			B7	
		2	D, P			C7	
		1				A7	
		2				R7	
4							RECLINER, Seat Back

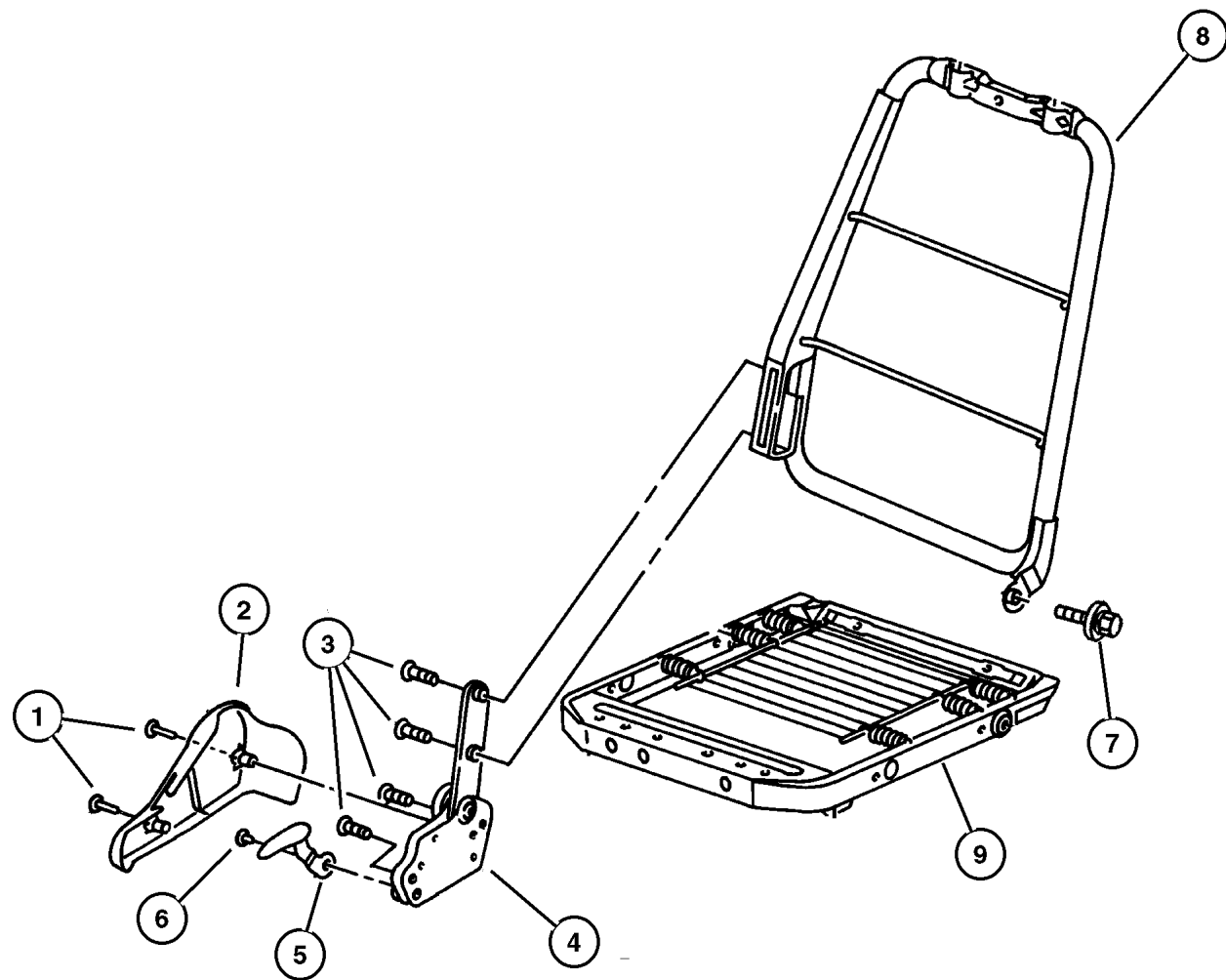
DODGE - CHRYSLER NEON (PL)

SERIES	LINE	BODY	ENGINE	TRANSMISSION
L=Low Line	Z=Chrysler, RHD	41 = 4 Door,	ECB,EC0=2.0L 4 Cyl., 16V SMPI	DD5=5 Speed Manual
H=High Line	D=Dodge	104WB	ECH,EC0=2.0L 4 Cyl, 16V SOHC	DGC=3 Speed Automatic
	D=Chrysler		EJD,EJ0=1.6L 4 Cyl 16V, SOHC	DGL=4 Speed Automatic
	P=Plymouth		EBD,EB0=1.8L 4 Cyl 16V SEF	DG0=All Automatics
				DBB=All 5 Speed Manual

AR = Use as required - = Non illustrated part # = New this model year

May 2, 2002

Seat Reclining - Attaching Parts
Figure IPL-535



ITEM	PART NUMBER	QTY	LINE	SERIES	BODY	TRIM	DESCRIPTION
	4797 318	1	D, P			CL	Right
		1	Z			CL	Right
		1				RL	Right
		1				R7	Right
		1	Z			K7	Right
		1				K7	Right
		1	D, P			B7	Right
		1	D, P			C7	Right
		1	Z			C7	Right
		1				A7	Right
	4797 319	1	D, P			CL	Left
		1	Z			CL	Left
		1				RL	Left
		1				R7	Left
		1	D, P			K7	Left
		1	Z			K7	Left
		1	D, P			B7	Left
		1	D, P			C7	Left
		1	Z			C7	Left
		1				A7	Left
5							HANDLE, Recliner
	4740 986	1	D, P			CL	Right
		1	Z			CL	Right
		1				RL	Right
		1				R7	Right
		1	D, P			K7	Right
		1	Z			K7	Right
		1	D, P			C7	Right
		1	D, P			B7	Right
		1	Z			C7	Right
	4740 987	1	D, P			CL	Left
		1	Z			CL	Left
		1				RL	Left
		1				R7	Left
		1	D, P			K7	Left
		1	Z			K7	Left
		1	D, P			B7	Left
		1	D, P			C7	Left
		1	Z			C7	Left
		1				A7	Left
6							SCREW, Recliner Handle (M6x10-T30 Torx), (NOT SERVICED)
7	4874 140	AR					BOLT, Adjuster Shoulder

DODGE - CHRYSLER NEON (PL)

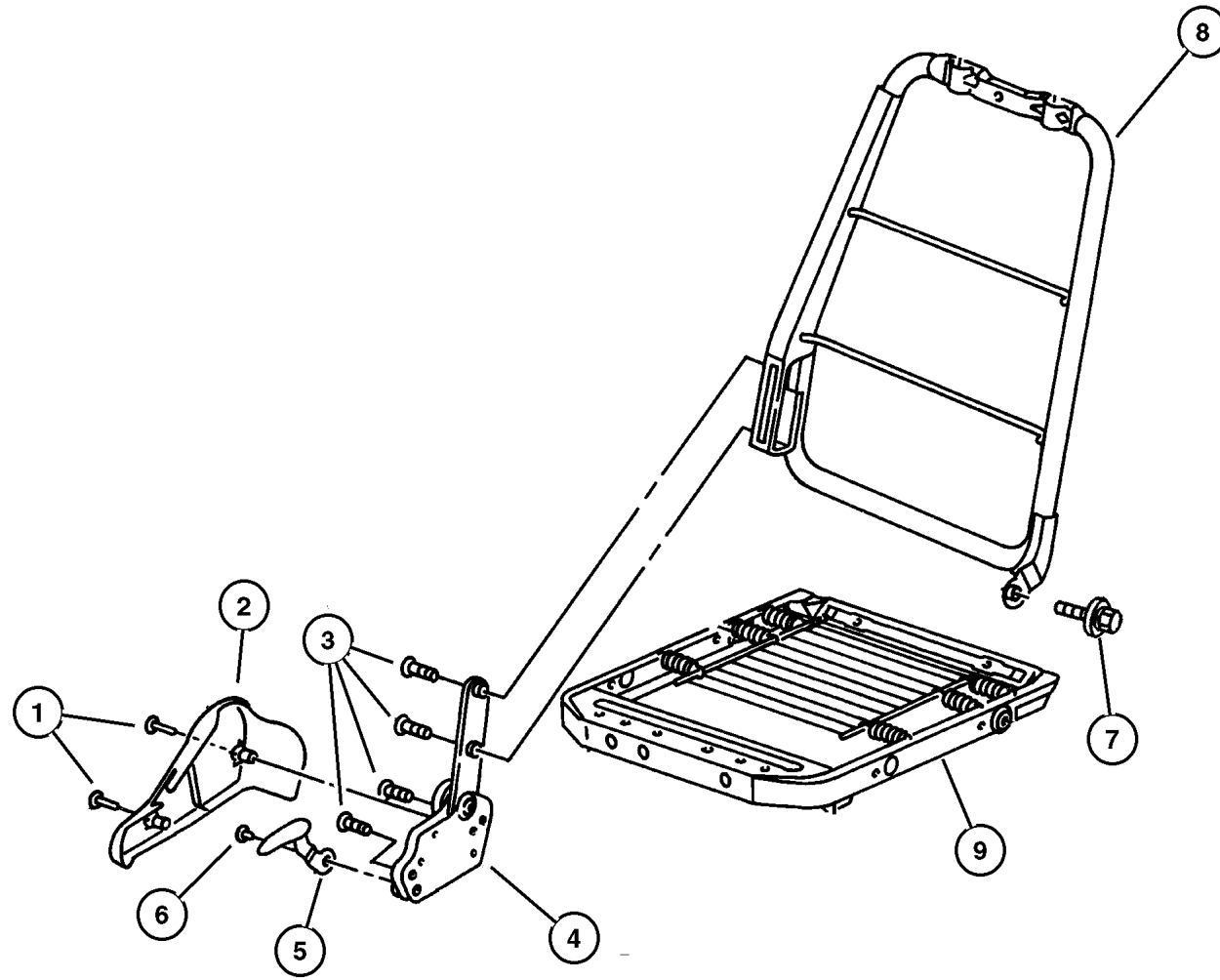
SERIES	LINE	BODY	ENGINE	TRANSMISSION
L=Low Line	Z=Chrysler, RHD	41 = 4 Door,	ECB,EC0=2.0L 4 Cyl., 16V SMPI	DD5=5 Speed Manual
H=High Line	D=Dodge	104WB	ECH,EC0=2.0L 4 Cyl, 16V SOHC	DGC=3 Speed Automatic
	D=Chrysler		EJD,EJ0=1.6L 4 Cyl 16V, SOHC	DGL=4 Speed Automatic
	P=Plymouth		EBD,EB0=1.8L 4 Cyl 16V SEF	DG0=All Automatics
				DBB=All 5 Speed Manual

AR = Use as required - = Non illustrated part # = New this model year

May 2, 2002

Seat Reclining - Attaching Parts
Figure IPL-535

ITEM	PART NUMBER	QTY	LINE	SERIES	BODY	TRIM	DESCRIPTION
8							FRAME, Front Seat Back, Serviced In Seat Back Assembly, (NOT SERVICED)
9							FRAME, Front Seat Cushion, Serviced In Seat Cushion Assembly, (NOT SERVICED)

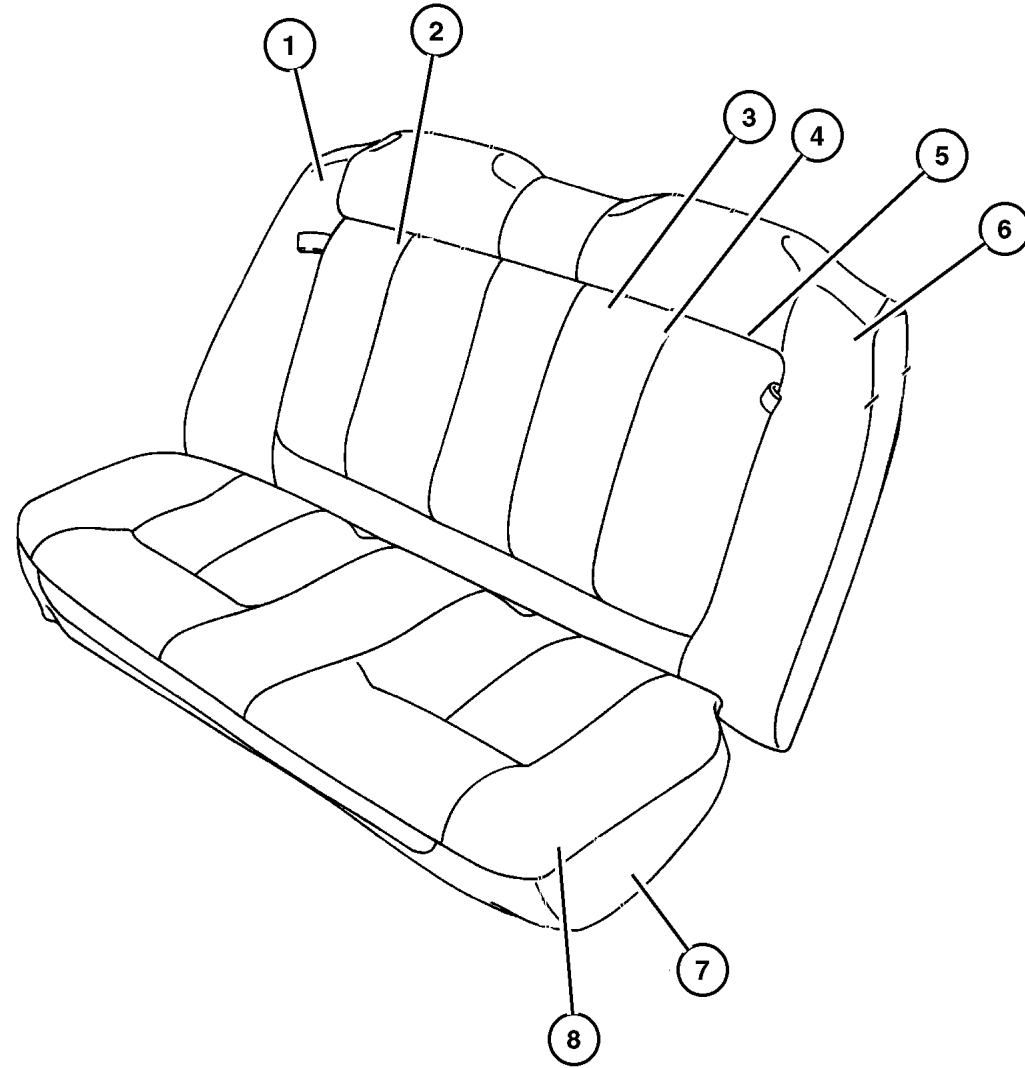


DODGE - CHRYSLER NEON (PL)				
SERIES	LINE	BODY	ENGINE	TRANSMISSION
L=Low Line	Z=Chrysler, RHD	41 = 4 Door,	ECB,EC0=2.0L 4 Cyl., 16V SMPI	DD5=5 Speed Manual
H=High Line	D=Dodge	104WB	ECH,EC0=2.0L 4 Cyl, 16V SOHC	DGC=3 Speed Automatic
	D=Chrysler		EJD,EJ0=1.6L 4 Cyl 16V, SOHC	DGL=4 Speed Automatic
	P=Plymouth		EBD,EB0=1.8L 4 Cyl 16V SEF	DG0=All Automatics
				DBB=All 5 Speed Manual

AR = Use as required - = Non illustrated part # = New this model year

May 2, 2002

Seat Rear - Trim Code K7
Figure IPL-605



ITEM	PART NUMBER	QTY	LINE	SERIES	BODY	TRIM	DESCRIPTION
1							SEAT BACK, Rear, Full Rear Seat Back
	SL58 1DVAA	1				K7	[DV]
	SL58 1L5AA	1				K7	[L5]
2							SEAT BACK, Rear, 60%
	SL60 1DVAA	1				K7	[DV]
	SL60 1L5AA	1				K7	[L5]
3							SEAT BACK, Rear, 40%
	SL59 1DVAA	1				K7	[DV]
	SL59 1L5AA	1				K7	[L5]
4							COVER, Rear Seat Back, 60% Side, (NOT SERVICED)
5							COVER, Rear Seat Back, 40 % Side, (NOT SERVICED)
6							COLLAR, Rear Seat Back
	SL62 1DVAA	1				K7	[DV]
	SL62 1L5AA	1				K7	[L5]
7							CUSHION, Rear Seat
	SL57 1DVAA	1				K7	[DV]
	SL57 1L5AA	1				K7	[L5]
8							COVER, Rear Seat Cushion
	SL63 1DVAA	1				K7	[DV]
	SL63 1L5AA	1				K7	[L5]

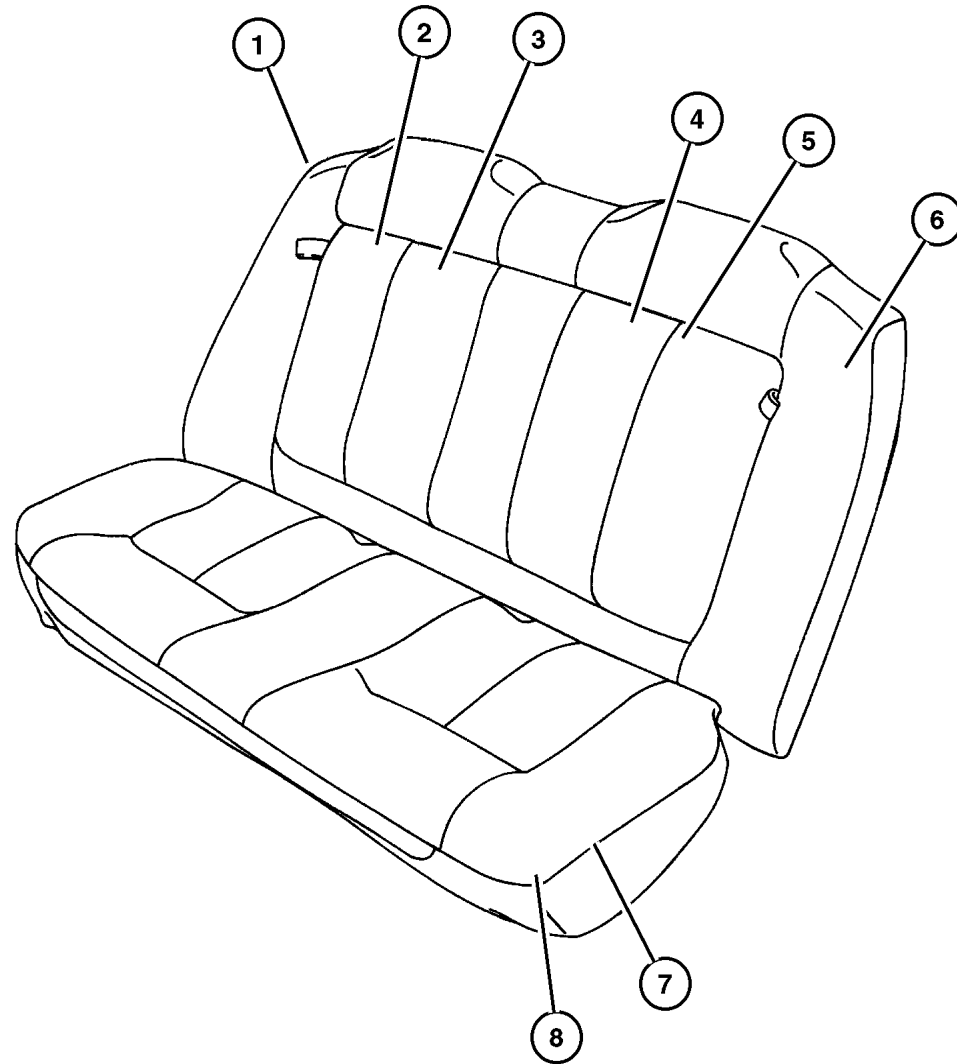
DODGE - CHRYSLER NEON (PL)

SERIES	LINE	BODY	ENGINE	TRANSMISSION
L=Low Line	Z=Chrysler, RHD	41 = 4 Door,	ECB,EC0=2.0L 4 Cyl., 16V SMPI	DD5=5 Speed Manual
H=High Line	D=Dodge	104WB	ECH,EC0=2.0L 4 Cyl, 16V SOHC	DGC=3 Speed Automatic
	D=Chrysler		EJD,EJ0=1.6L 4 Cyl 16V, SOHC	DGL=4 Speed Automatic
	P=Plymouth		EBD,EB0=1.8L 4 Cyl 16V SEF	DG0=All Automatics
				DBB=All 5 Speed Manual

AR = Use as required - = Non illustrated part # = New this model year

May 2, 2002

Seat Rear - Trim Code B7
Figure IPL-610



ITEM	PART NUMBER	QTY	LINE	SERIES	BODY	TRIM	DESCRIPTION
1							SEAT BACK, Rear, Complete
	SL23 1DVAA	1	D, P			B7	[DV]
	SL23 1L5AA	1	D, P			B7	[L5]
2							SEAT BACK, Rear, 40%
	SL25 1DVAA	1	D, P			B7	[DV]
	SL25 1L5AA	1	D, P			B7	[L5]
3							COVER, Rear Seat Back, 40 % Side, (NOT SERVICED)
4							SEAT BACK, Rear, 60%
	SL27 1DVAA	1	D, P			B7	[DV]
	SL27 1L5AA	1	D, P			B7	[L5]
5							COVER, Rear Seat Back, 60 % Side, (NOT SERVICED)
6							COLLAR, Rear Seat Back
	SL28 1DVAA	1	D, P			B7	[DV]
	SL28 1L5AA	1	D, P			B7	[L5]
7							CUSHION, Rear Seat
	SL24 1DVAA	1	D, P			B7	[DV]
	SL24 1L5AA	1	D, P			B7	[L5]
8							COVER, Rear Seat Cushion
	SL29 1DVAA	1	D, P			B7	[DV]
	SL29 1L5AA	1	D, P			B7	[L5]

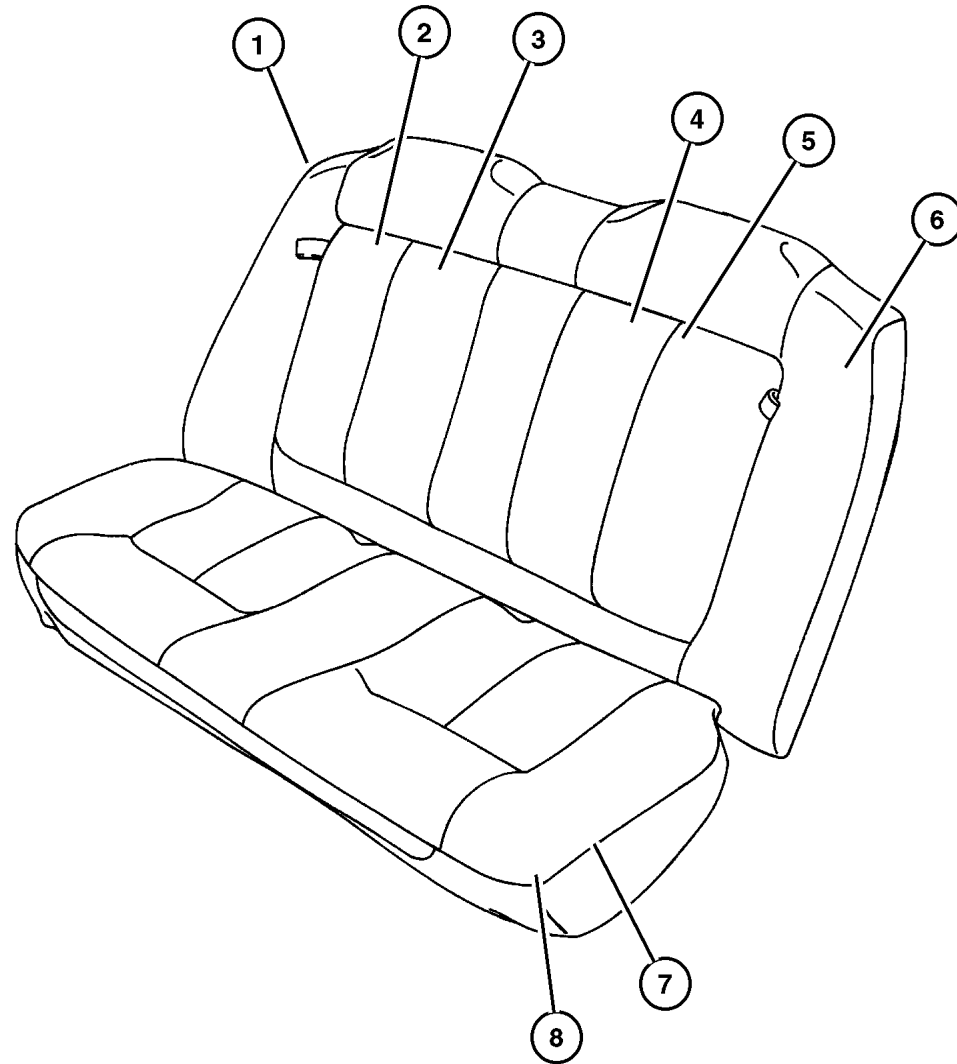
DODGE - CHRYSLER NEON (PL)

SERIES	LINE	BODY	ENGINE	TRANSMISSION
L=Low Line	Z=Chrysler, RHD	41 = 4 Door,	ECB,EC0=2.0L 4 Cyl., 16V SMPI	DD5=5 Speed Manual
H=High Line	D=Dodge	104WB	ECH,EC0=2.0L 4 Cyl, 16V SOHC	DGC=3 Speed Automatic
	D=Chrysler		EJD,EJ0=1.6L 4 Cyl 16V, SOHC	DGL=4 Speed Automatic
	P=Plymouth		EBD,EB0=1.8L 4 Cyl 16V SEF	DG0=All Automatics
				DBB=All 5 Speed Manual

AR = Use as required - = Non illustrated part # = New this model year

May 2, 2002

Seat Rear - Trim Code C7
Figure IPL-615



ITEM	PART NUMBER	QTY	LINE	SERIES	BODY	TRIM	DESCRIPTION
1							SEAT BACK, Rear, Complete
	#UM97 1DVAA	1	D, P			C7	[DV]
		1	Z			C7	[DV]
	#UM97 1L5AA	1	D, P			C7	[L5]
		1	Z			C7	[L5]
2							SEAT BACK, Rear, 40%
	SL25 1DVAA	1	D, P			C7	[DV]
		1	Z			C7	[DV]
	SL25 1L5AA	1	D, P			C7	[L5]
		1	Z			C7	[L5]
3							COVER, Rear Seat Back, 40 % Side, (NOT SERVICED)
4							SEAT BACK, Rear, 60%
	SL27 1DVAA	1	D, P			C7	[DV]
		1	Z			C7	[DV]
	SL27 1L5AA	1	D, P			C7	[L5]
		1	Z			C7	[L5]
5							COVER, Rear Seat Back, 60 % Side, (NOT SERVICED)
6							COLLAR, Rear Seat Back
	SL28 1DVAA	1	D, P			C7	[DV]
		1	Z			C7	[DV]
	SL28 1L5AA	1	D, P			C7	[L5]
		1	Z			C7	[L5]
7							CUSHION, Rear Seat
	SL24 1DVAA	1	D, P			C7	[DV]
		1	Z			C7	[DV]
	SL24 1L5AA	1	D, P			C7	[L5]
		1	Z			C7	[L5]
8							COVER, Rear Seat Cushion
	SL29 1DVAA	1	D, P			C7	[DV]
		1	Z			C7	[DV]
	SL29 1L5AA	1	D, P			C7	[L5]
		1	Z			C7	[L5]
-9							HEADREST, Rear
	#UA75 1DVAA	1	Z			C7	[DV]
	#UA75 1L5AA	2	Z			C7	[L5]
	#UA75 1DVAA	2	D, P			C7	[DV]
	#UA75 1L5AA	2	D, P			C7	[L5]
-10							SLEEVE, Headrest
	#UA16 1DVAA	2	D, P			C7	[DV], Right
	#UA16 1L5AA	2	D, P			C7	[L5], Right

DODGE - CHRYSLER NEON (PL)

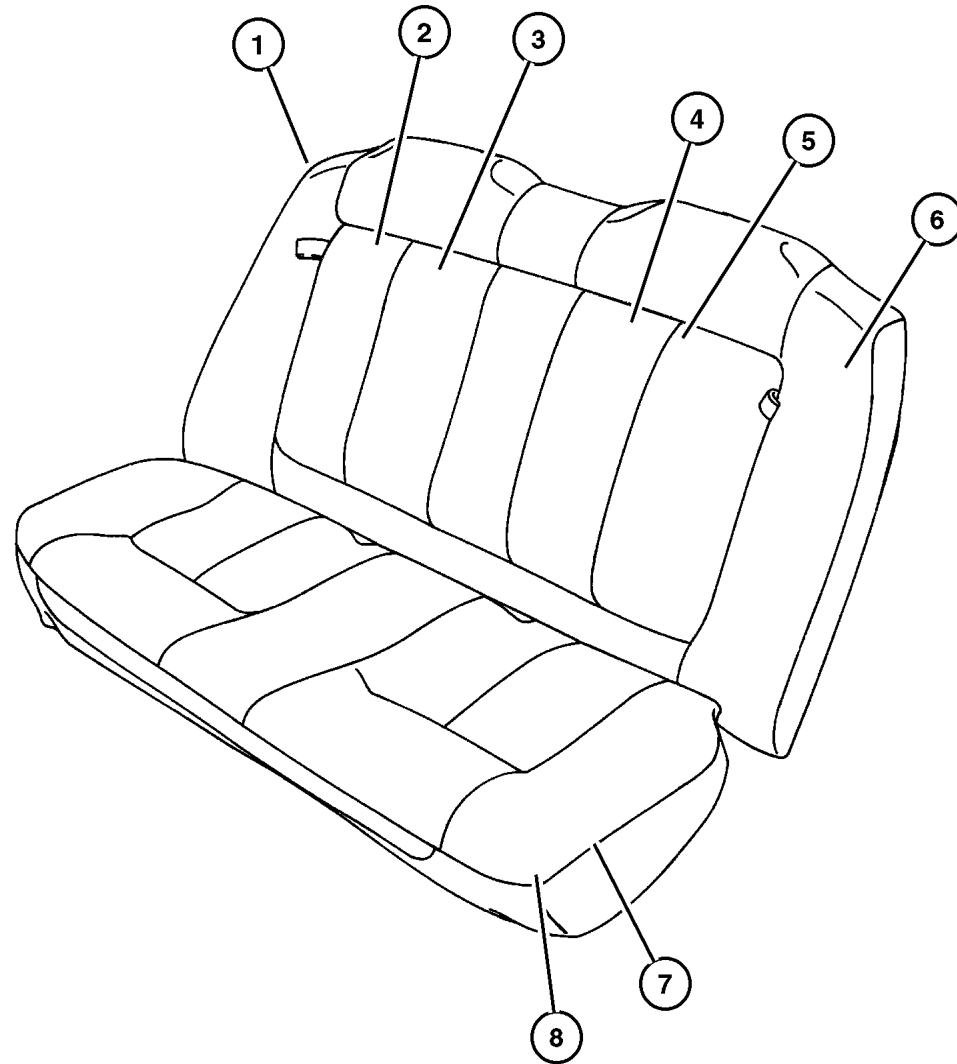
SERIES	LINE	BODY	ENGINE	TRANSMISSION
L=Low Line	Z=Chrysler, RHD	41 = 4 Door,	ECB,EC0=2.0L 4 Cyl., 16V SMPI	DD5=5 Speed Manual
H=High Line	D=Dodge	104WB	ECH,EC0=2.0L 4 Cyl, 16V SOHC	DGC=3 Speed Automatic
	D=Chrysler		EJD,EJ0=1.6L 4 Cyl 16V, SOHC	DGL=4 Speed Automatic
	P=Plymouth		EBD,EB0=1.8L 4 Cyl 16V SEF	DG0=All Automatics
				DBB=All 5 Speed Manual

AR = Use as required - = Non illustrated part # = New this model year

May 2, 2002

Seat Rear - Trim Code C7
Figure IPL-615

ITEM	PART NUMBER	QTY	LINE	SERIES	BODY	TRIM	DESCRIPTION
	#UA16 1DVAA	2	Z			C7	[DV], Right
	#UA16 1L5AA	2	Z			C7	[L5], Right
	#UA17 1DVAA	2	D, P			C7	[DV], Left
	#UA17 1L5AA	2	D, P			C7	[L5], Left
	#UA17 1DVAA	2	Z			C7	[DV], Left
	#UA17 1L5AA	2	Z			C7	[L5], Left

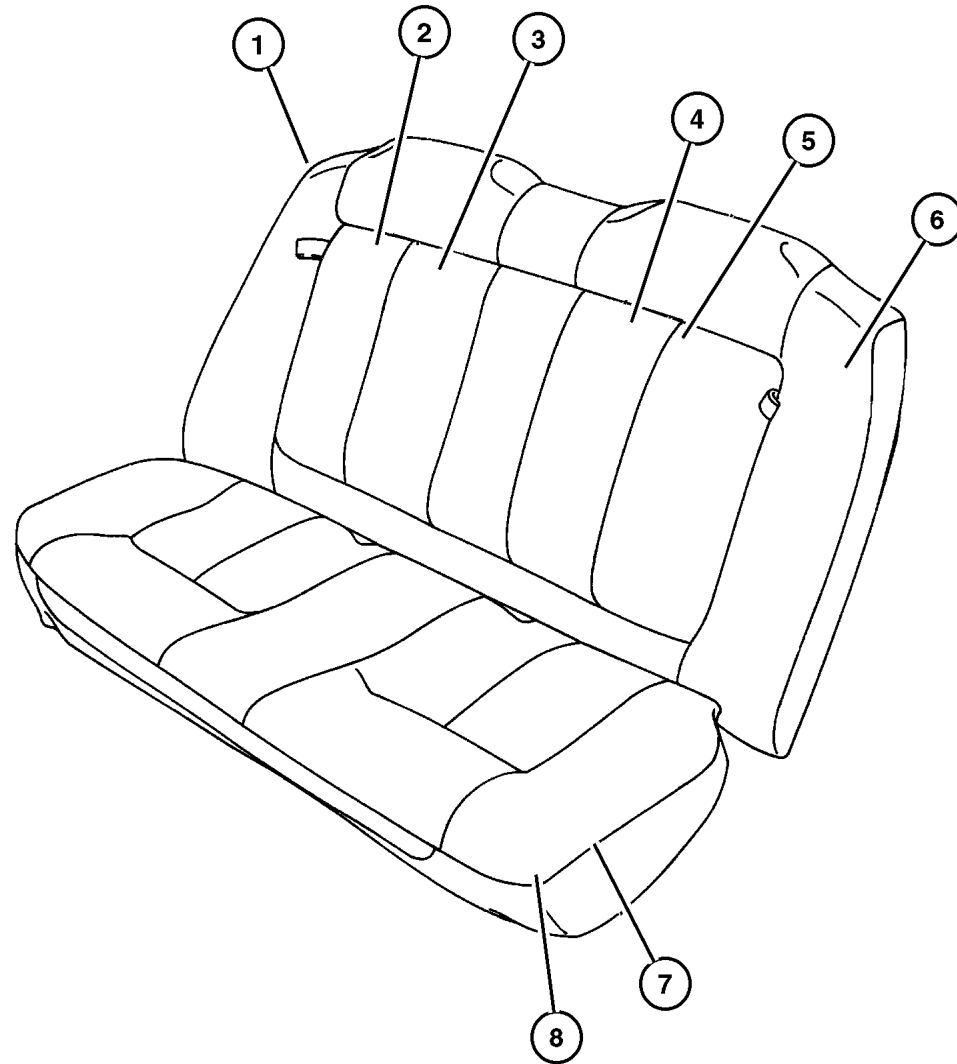


DODGE - CHRYSLER NEON (PL)				
SERIES	LINE	BODY	ENGINE	TRANSMISSION
L=Low Line	Z=Chrysler, RHD	41 = 4 Door,	ECB,EC0=2.0L 4 Cyl., 16V SMPI	DD5=5 Speed Manual
H=High Line	D=Dodge	104WB	ECH,EC0=2.0L 4 Cyl, 16V SOHC	DGC=3 Speed Automatic
	D=Chrysler		EJD,EJ0=1.6L 4 Cyl 16V, SOHC	DGL=4 Speed Automatic
	P=Plymouth		EBD,EB0=1.8L 4 Cyl 16V SEF	DG0=All Automatics
				DBB=All 5 Speed Manual

AR = Use as required - = Non illustrated part # = New this model year

May 2, 2002

Seat Rear - Trim Code CL, R7
Figure IPL-620



ITEM	PART NUMBER	QTY	LINE	SERIES	BODY	TRIM	DESCRIPTION
1							SEAT BACK, Rear, Complete
	TC00 1DVAA	1	D, P			CL	[DV]
		1	Z			CL	[DV]
	TC00 1L5AA	1	D, P			CL	[L5]
		1	Z			CL	[L5]
	#UA01 1DVAA	1				R7	[DV]
2							SEAT BACK, Rear, 40%
	TC01 1DVAA	1	D, P			CL	[DV]
		1	Z			CL	[DV]
	TC01 1L5AA	1	D, P			CL	[L5]
		1	Z			CL	[L5]
	#TZ99 1DVAA	1				R7	[DV]
3							COVER, Rear Seat Back, 40 % Side, (NOT SERVICED)
4							SEAT BACK, Rear, 60%
	TC02 1DVAA	1	D, P			CL	[DV]
		1	Z			CL	[DV]
	TC02 1L5AA	1	D, P			CL	[L5]
		1	Z			CL	[L5]
	#TZ98 1DVAA	1				R7	[DV]
5							COVER, Rear Seat Back, 60 % Side, (NOT SERVICED)
6							COLLAR, Rear Seat Back
	TC03 1DVAA	1	D, P			CL	[DV]
		1	Z			CL	[DV]
	TC03 1L5AA	1	D, P			CL	[L5]
		1	Z			CL	[L5]
	#TZ93 1DVAA	1				R7	[DV]
7							CUSHION, Rear Seat
	TB97 1DVAA	1	D, P			CL	[DV]
		1	Z			CL	[DV]
	TB97 1L5AA	1	D, P			CL	[L5]
		1	Z			CL	[L5]
	#UA02 1DVAA	1				R7	[DV]
8							COVER, Rear Seat Cushion
	TC04 1DVAA	1	D, P			CL	[DV]
		1	Z			CL	[DV]
	TC04 1L5AA	1	D, P			CL	[L5]
		1	Z			CL	[L5]
	#UA05 1DVAA	1				R7	[DV]
-9							HEADREST, Rear
	#UA76 1DVAA	1	D, P			CL	[DV]

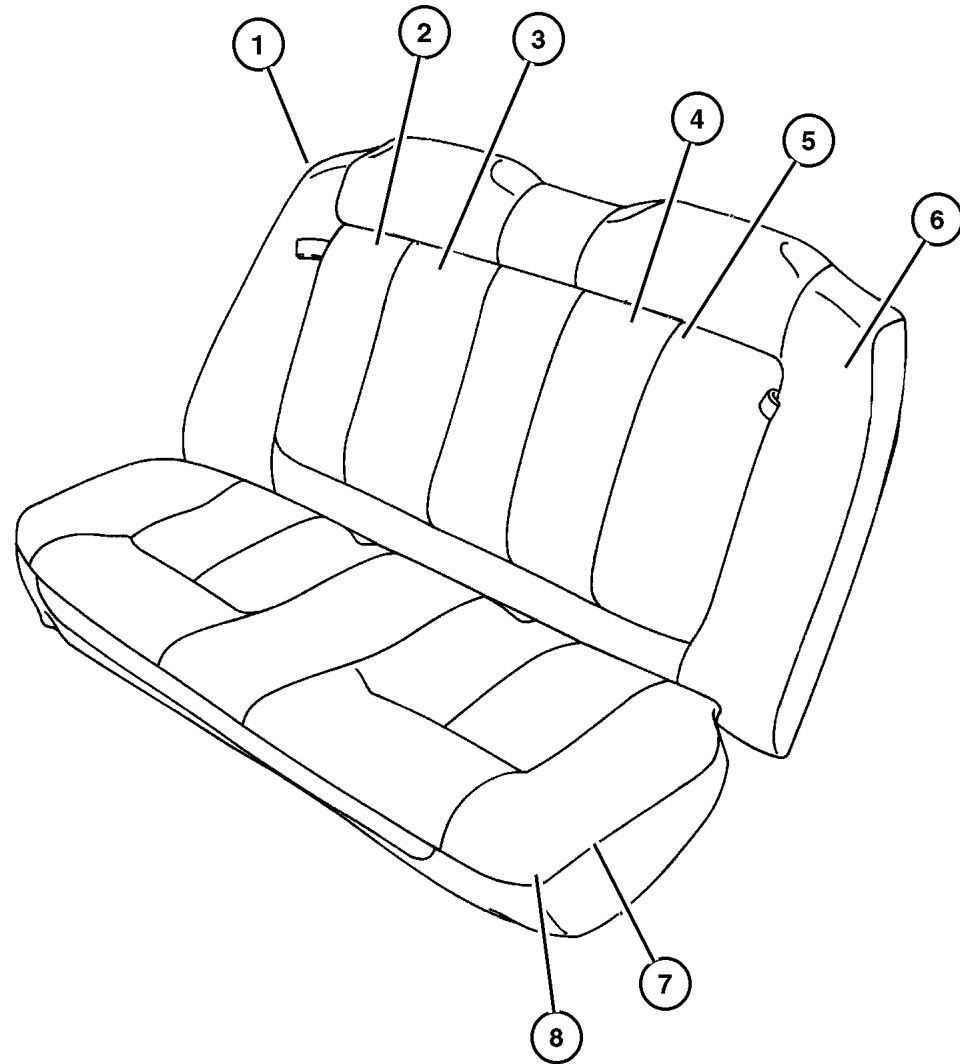
DODGE - CHRYSLER NEON (PL)

SERIES	LINE	BODY	ENGINE	TRANSMISSION
L=Low Line	Z=Chrysler, RHD	41 = 4 Door,	ECB,EC0=2.0L 4 Cyl., 16V SMPI	DD5=5 Speed Manual
H=High Line	D=Dodge	104WB	ECH,EC0=2.0L 4 Cyl, 16V SOHC	DGC=3 Speed Automatic
	D=Chrysler		EJD,EJ0=1.6L 4 Cyl 16V, SOHC	DGL=4 Speed Automatic
	P=Plymouth		EBD,EB0=1.8L 4 Cyl 16V SEF	DG0=All Automatics
				DBB=All 5 Speed Manual

AR = Use as required - = Non illustrated part # = New this model year

May 2, 2002

Seat Rear - Trim Code CL, R7
Figure IPL-620



ITEM	PART NUMBER	QTY	LINE	SERIES	BODY	TRIM	DESCRIPTION
		1	Z			CL	[DV]
	#UA76 1L5AA	1	D, P			CL	[L5]
		1	Z			CL	[L5]
	#UA04 1DVAA	2				R7	[DV]
-10							SLEEVE, Headrest
	#UA16 1DVAA	2	D, P			CL	[DV], Right
		2	Z			CL	[DV], Right
		2				R7	[DV], Right
	#UA16 1L5AA	2	D, P			CL	[L5], Right
		2	Z			CL	[L5], Right
	#UA17 1DVAA	2	D, P			CL	[DV], Left
		2	Z			CL	[DV], Left
		2				R7	[DV], Left
	#UA17 1L5AA	2	D, P			CL	[L5], Left
		2	Z			CL	[L5], Left

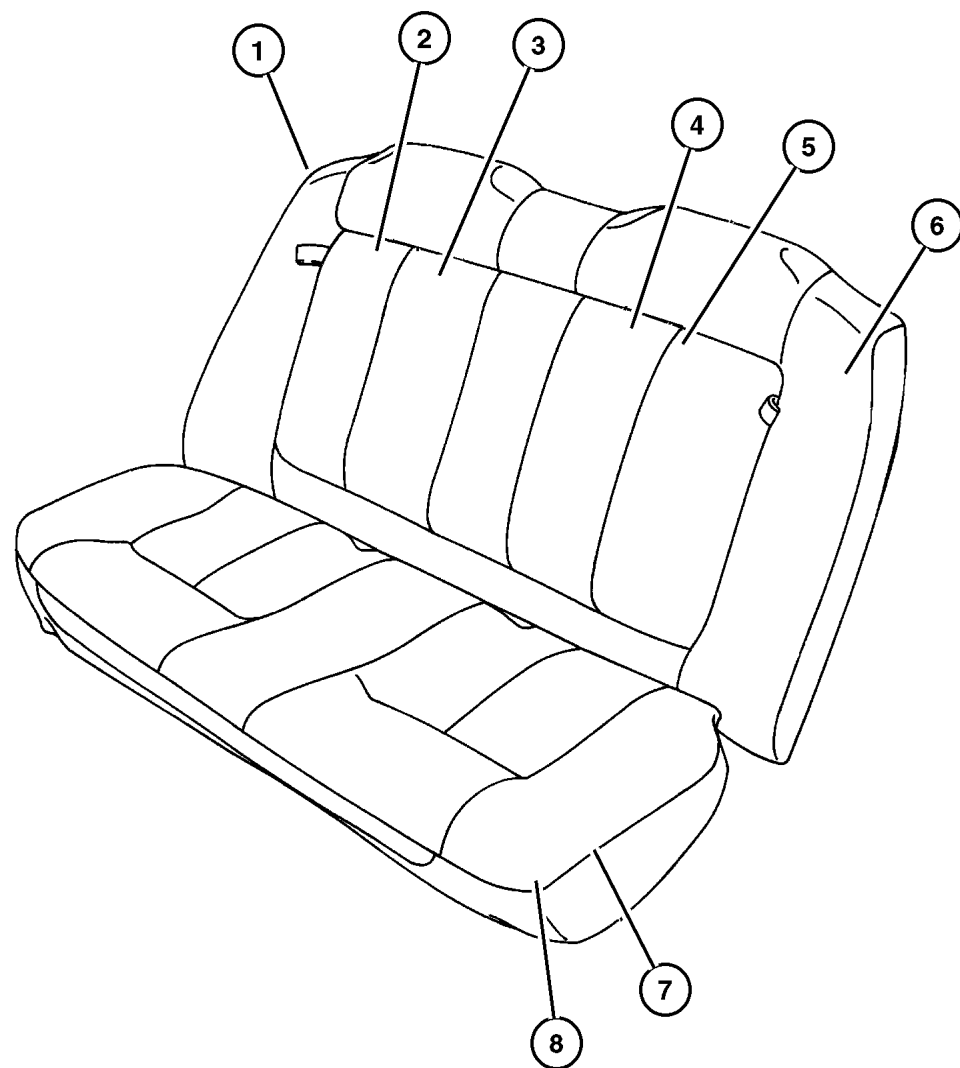
DODGE - CHRYSLER NEON (PL)

SERIES	LINE	BODY	ENGINE	TRANSMISSION
L=Low Line	Z=Chrysler, RHD	41 = 4 Door,	ECB,EC0=2.0L 4 Cyl., 16V SMPI	DD5=5 Speed Manual
H=High Line	D=Dodge	104WB	ECH,EC0=2.0L 4 Cyl, 16V SOHC	DGC=3 Speed Automatic
	D=Chrysler		EJD,EJ0=1.6L 4 Cyl 16V, SOHC	DGL=4 Speed Automatic
	P=Plymouth		EBD,EB0=1.8L 4 Cyl 16V SEF	DG0=All Automatics
				DBB=All 5 Speed Manual

AR = Use as required - = Non illustrated part # = New this model year

May 2, 2002

Seat Rear - Trim Code A7
Figure IPL-625



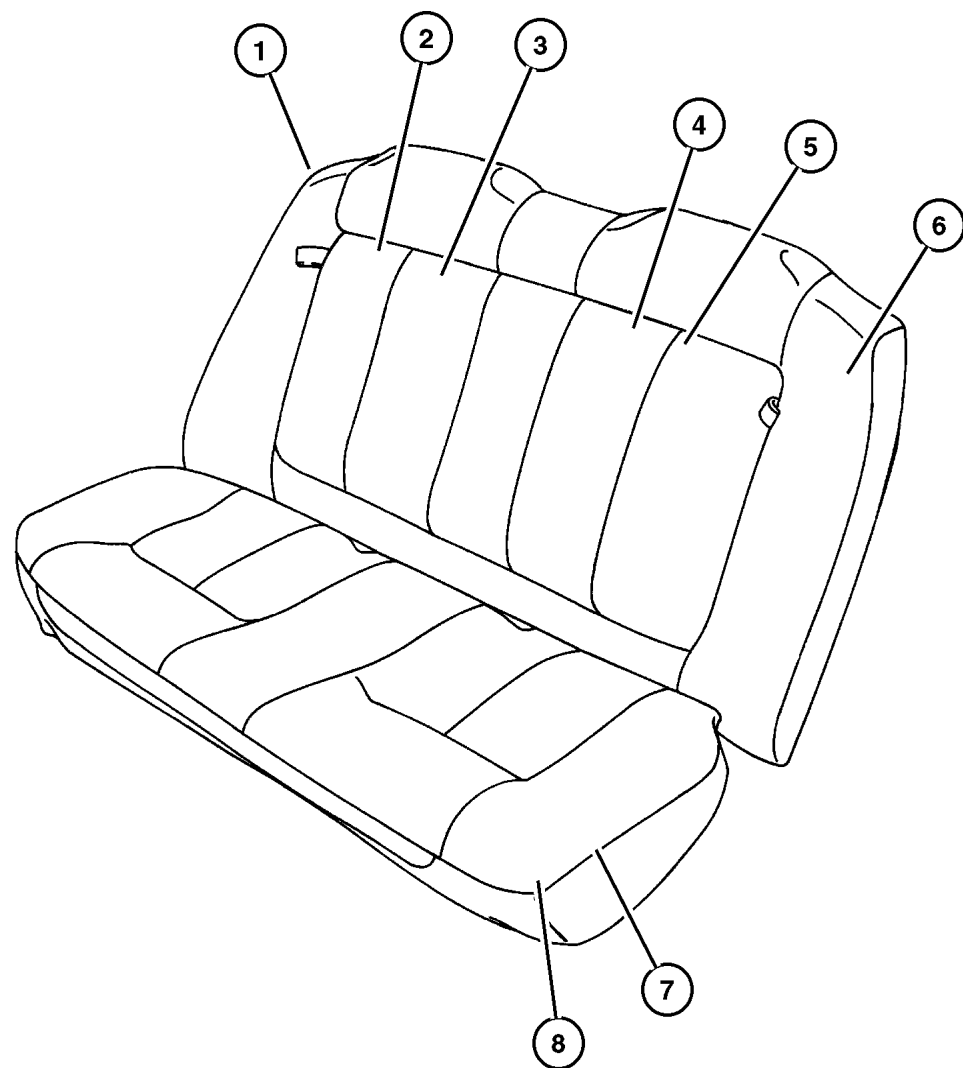
ITEM	PART NUMBER	QTY	LINE	SERIES	BODY	TRIM	DESCRIPTION
1	#UA01 1DVAA	1				A7	SEAT BACK, Rear, Complete, [DV]
2	#TZ99 1DVAA	1				A7	SEAT BACK, Rear, 40%, [DV]
3							COVER, Rear Seat Back, 40 % Side, (NOT SERVICED)
4	#TZ98 1DVAA	1				A7	SEAT BACK, Rear, 60%, [DV]
5							COVER, Rear Seat Back, 60 % Side, (NOT SERVICED)
6	#TZ93 1DVAA	1				A7	COLLAR, Rear Seat Back, [DV]
7	#UA02 1DVAA	1				A7	CUSHION, Rear Seat, [DV]
8	#UA05 1DVAA	1				A7	COVER, Rear Seat Cushion, [DV]
-9	#UA04 1DVAA	1				A7	HEADREST, Rear, [DV]
-10							SLEEVE, Headrest
	#UA16 1DVAA	1				A7	[DV], Right
	#UA17 1DVAA	1				A7	[DV], Left

DODGE - CHRYSLER NEON (PL)				
SERIES	LINE	BODY	ENGINE	TRANSMISSION
L=Low Line	Z=Chrysler, RHD	41 = 4 Door,	ECB,EC0=2.0L 4 Cyl., 16V SMPI	DD5=5 Speed Manual
H=High Line	D=Dodge	104WB	ECH,EC0=2.0L 4 Cyl, 16V SOHC	DGC=3 Speed Automatic
	D=Chrysler		EJD,EJ0=1.6L 4 Cyl 16V, SOHC	DGL=4 Speed Automatic
	P=Plymouth		EBD,EB0=1.8L 4 Cyl 16V SEF	DG0=All Automatics
				DBB=All 5 Speed Manual

AR = Use as required - = Non illustrated part # = New this model year

May 2, 2002

Seat Rear - Trim Code RL, XL
Figure IPL-630



ITEM	PART NUMBER	QTY	LINE	SERIES	BODY	TRIM	DESCRIPTION
1							SEAT BACK, Rear, Complete
	TC00 1DVAA	1				RL	[DV]
		1				XL	[DV]
	TC00 1L5AA	1				XL	[L5]
2							SEAT BACK, Rear, 40%
	TC01 1DVAA	1				RL	[DV]
		1				XL	[DV]
	TC01 1L5AA	1				XL	[L5]
3							COVER, Rear Seat Back, 40 % Side, (NOT SERVICED)
4							SEAT BACK, Rear, 60%
	TC02 1DVAA	1				RL	[DV]
		1				XL	[DV]
	TC02 1L5AA	1				XL	[L5]
5							COVER, Rear Seat Back, 60 % Side, (NOT SERVICED)
6							COLLAR, Rear Seat Back
	TC03 1DVAA	1				RL	[DV]
		1				XL	[DV]
	TC03 1L5AA	1				XL	[L5]
7							CUSHION, Rear Seat
	TB97 1DVAA	1				RL	[DV]
		1				XL	[DV]
	TB97 1L5AA	1				XL	[L5]
8							COVER, Rear Seat Cushion
	TC04 1DVAA	1				RL	[DV]
		1				XL	[DV]
	TC04 1L5AA	1				XL	[L5]
-9							HEADREST, Rear
	#UA76 1DVAA	1				RL	[DV]
		1				XL	[DV]
	#UA76 1L5AA	1				XL	[L5]
-10							SLEEVE, Headrest
	#UA16 1DVAA	2				RL	[DV], Right
	#UA17 1DVAA	2				RL	[DV], Left
	#UA16 1DVAA	2				XL	[DV], Right
	#UA17 1L5AA	2	D, P			XL	[L5], Left

DODGE - CHRYSLER NEON (PL)

SERIES	LINE	BODY	ENGINE	TRANSMISSION
L=Low Line	Z=Chrysler, RHD	41 = 4 Door,	ECB,EC0=2.0L 4 Cyl., 16V SMPI	DD5=5 Speed Manual
H=High Line	D=Dodge	104WB	ECH,EC0=2.0L 4 Cyl, 16V SOHC	DGC=3 Speed Automatic
	D=Chrysler		EJD,EJ0=1.6L 4 Cyl 16V, SOHC	DGL=4 Speed Automatic
	P=Plymouth		EBD,EB0=1.8L 4 Cyl 16V SEF	DG0=All Automatics
				DBB=All 5 Speed Manual

AR = Use as required - = Non illustrated part # = New this model year

May 2, 2002

Seat Rear - Attaching Parts Figure IPL-635

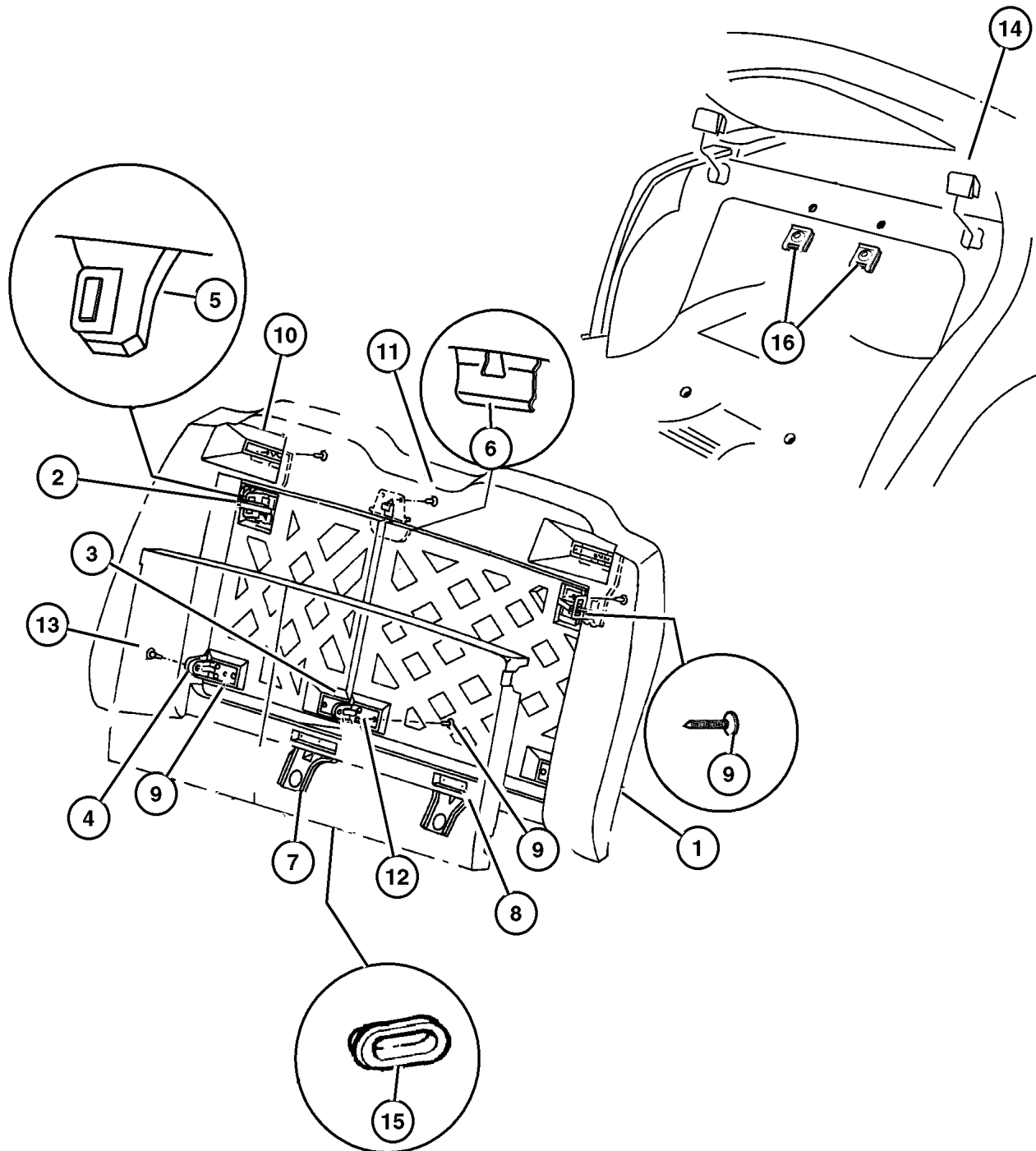
ITEM	PART NUMBER	QTY	LINE	SERIES	BODY	TRIM	DESCRIPTION
1							COLLAR, Rear Seat Back
	SL28 1DVAA	1	D, P			B7	[DV]
		1	D, P			C7	[DV]
		1	Z			C7	[DV]
	SL62 1DVAA	1				K7	[DV]
	SL62 1L5AA	1				K7	[L5]
	TC03 1DVAA	1				RL	[DV]
		1	D, P			CL	[DV]
		1	Z			CL	[DV]
	#TZ93 1DVAA	1				R7	[DV]
2							LATCH, Seat
	JY05 1DV	1				RL	[DV]
		1	D, P			CL	[DV]
		1	Z			CL	[DV]
		1				R7	[DV]
		1				K7	[DV]
		1	D, P			B7	[DV]
		1	D, P			C7	[DV]
		1	Z			C7	[DV]
		1				A7	[DV]
	JY05 1L5	1	D, P			CL	[L5]
		1	Z			CL	[L5]
		1				K7	[L5]
		1	D, P			K7	[L5]
		1	D, P			B7	[L5]
		1	D, P			C7	[L5]
	1	Z			C7	[L5]	
3							BRACKET, Inboard Pivot, 40 % Side
	4741 252	1				RL	
		1	D, P			CL	
		1	Z			CL	
		1				R7	
		1				K7	
		1	D, P			B7	
		1	D, P			C7	
	1	Z			C7		
4							BRACKET, Outboard Pivot
	4741 253	1				RL	
		1	D, P			CL	
	1	Z			CL		

DODGE - CHRYSLER NEON (PL)

SERIES	LINE	BODY	ENGINE	TRANSMISSION
L=Low Line	Z=Chrysler, RHD	41 = 4 Door,	ECB,EC0=2.0L 4 Cyl., 16V SMPI	DD5=5 Speed Manual
H=High Line	D=Dodge	104WB	ECH,EC0=2.0L 4 Cyl, 16V SOHC	DGC=3 Speed Automatic
	D=Chrysler		EJD,EJ0=1.6L 4 Cyl 16V, SOHC	DGL=4 Speed Automatic
	P=Plymouth		EBD,EB0=1.8L 4 Cyl 16V SEF	DG0=All Automatics
				DBB=All 5 Speed Manual

AR = Use as required - = Non illustrated part # = New this model year

May 2, 2002



Seat Rear - Attaching Parts Figure IPL-635

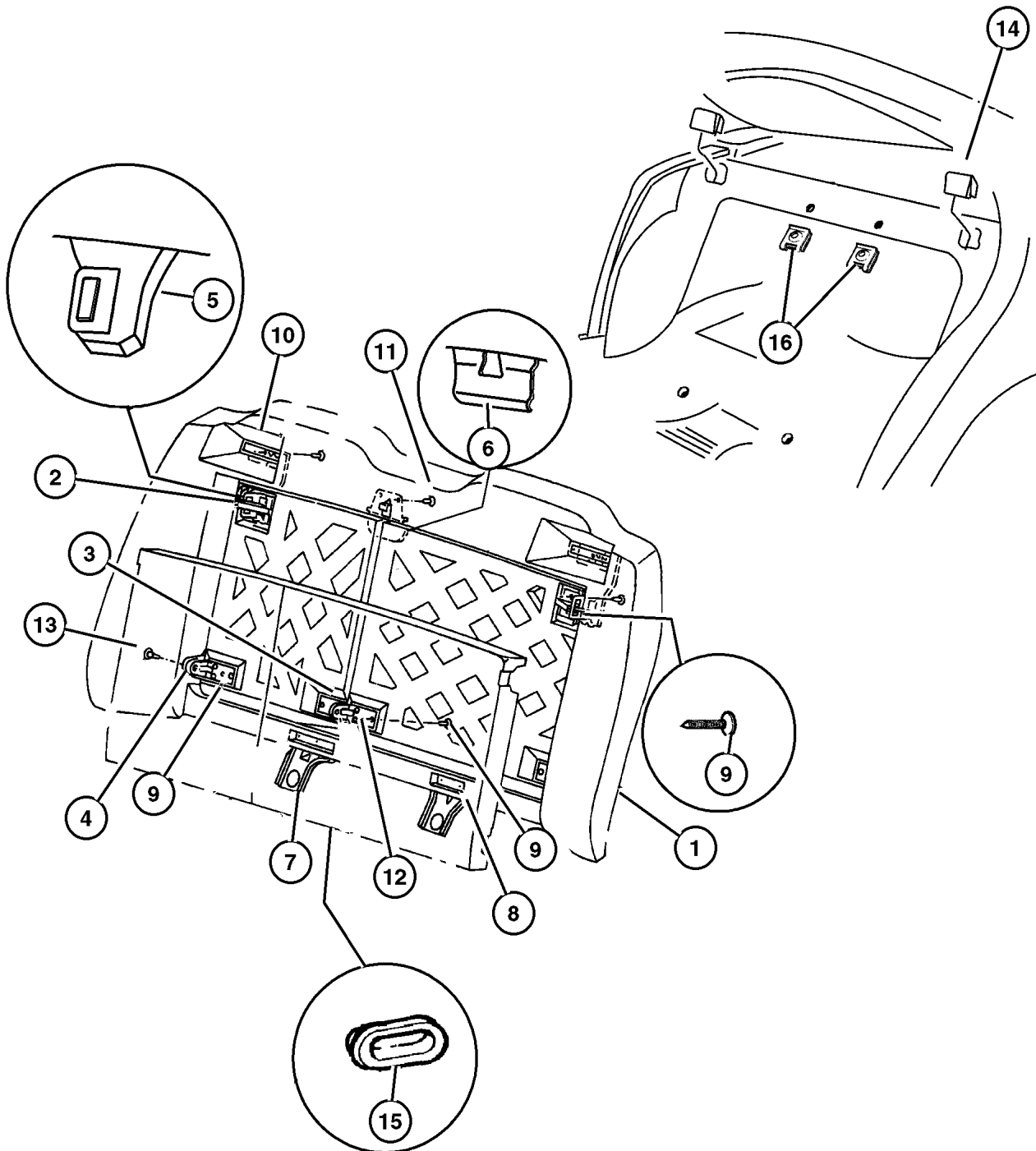
ITEM	PART NUMBER	QTY	LINE	SERIES	BODY	TRIM	DESCRIPTION
		1				R7	
		1				K7	
		1	D, P			B7	
		1	D, P			C7	
		1	Z			C7	
5		1				A7	STRIKER, Seat Back Latch
	5011 382AA	1				RL	
		1	D, P			CL	
		1	Z			CL	
		1				R7	
		1				K7	
		1	D, P			B7	
		1	D, P			C7	
		1	Z			C7	
		1				A7	
6		1					BRACKET, Rear Seat Center
	4797 697	1				RL	
		1	D, P			CL	
		1	Z			CL	
		1				R7	
		1				K7	
		1	D, P			B7	
		1	D, P			C7	
		1	Z			C7	
		1				A7	
7		1					BRACKET, Lower Pivot
	4741 261	1				RL	
		1	D, P			CL	
		1	Z			CL	
		1				R7	
		1				K7	
		1	D, P			B7	
		1	D, P			C7	
		1	Z			C7	
		1				A7	
8		1					BRACKET, Seat
	4741 257	1				RL	
		1	D, P			CL	
		1	Z			CL	
		1				R7	
		1				K7	

DODGE - CHRYSLER NEON (PL)

SERIES	LINE	BODY	ENGINE	TRANSMISSION
L=Low Line	Z=Chrysler, RHD	41 = 4 Door,	ECB,EC0=2.0L 4 Cyl., 16V SMPI	DD5=5 Speed Manual
H=High Line	D=Dodge	104WB	ECH,EC0=2.0L 4 Cyl, 16V SOHC	DGC=3 Speed Automatic
	D=Chrysler		EJD,EJ0=1.6L 4 Cyl 16V, SOHC	DGL=4 Speed Automatic
	P=Plymouth		EBD,EB0=1.8L 4 Cyl 16V SEF	DG0=All Automatics
				DBB=All 5 Speed Manual

AR = Use as required - = Non illustrated part # = New this model year

May 2, 2002



Seat Rear - Attaching Parts Figure IPL-635

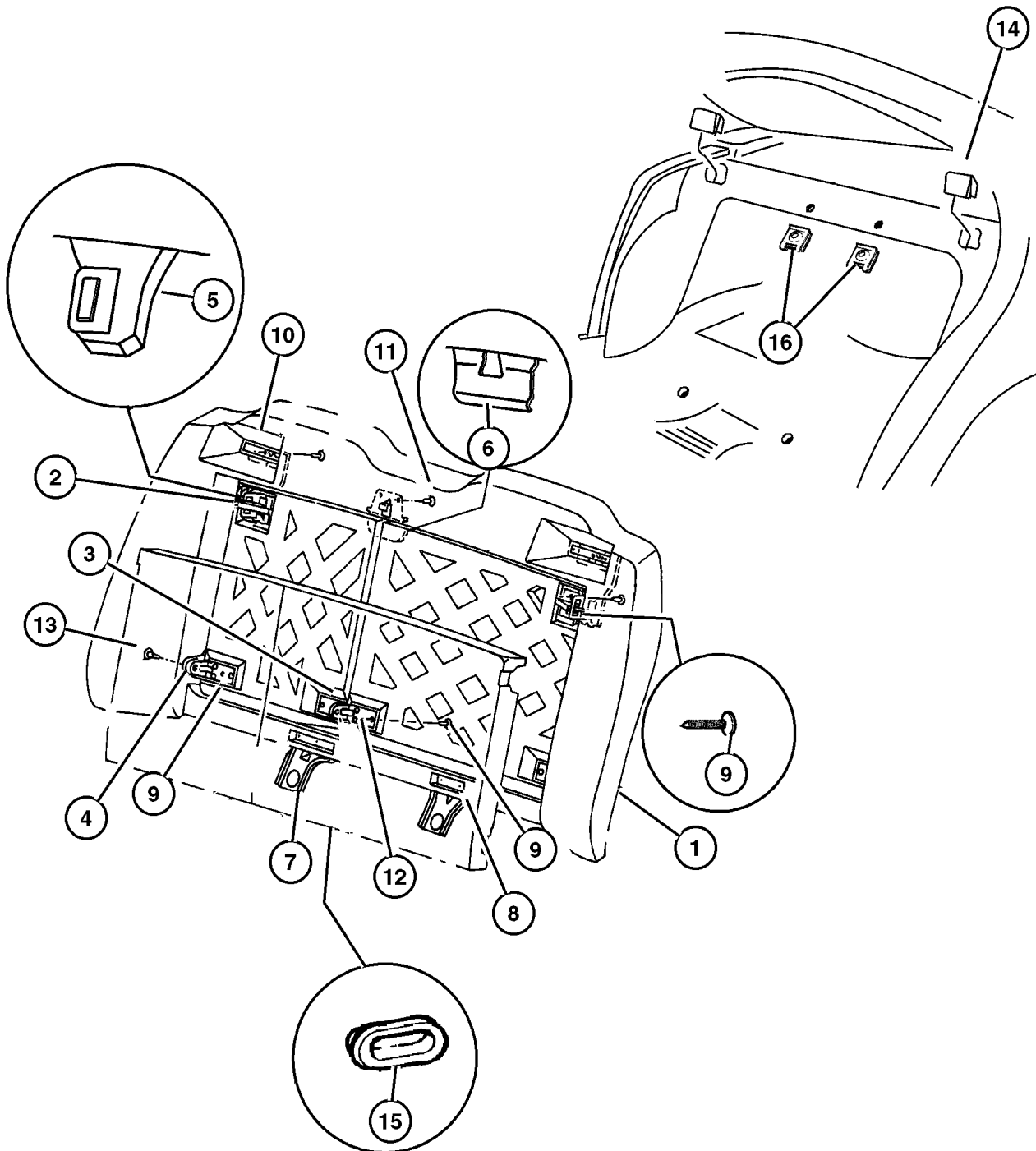
ITEM	PART NUMBER	QTY	LINE	SERIES	BODY	TRIM	DESCRIPTION
		1	D, P			B7	
		1	D, P			C7	
		1	Z			C7	
		1				A7	
9							SCREW, Torx Head, .25-20x.75
	4741 274	1				RL	
		1	D, P			CL	
		1	Z			CL	
		1				R7	
		1				K7	
		1	D, P			B7	
		1	D, P			C7	
		1	Z			C7	
		1				A7	
10							COVER, Plastic Collar
	4761 016	1				RL	
		1	D, P			CL	
		1	Z			CL	
		1				R7	
		1				K7	
		1	D, P			B7	
		1	D, P			C7	
		1	Z			C7	
		1				A7	
11							SCREW, Torx Head, .25-20x.75
	4741 274	1				RL	
		1	D, P			CL	
		1	Z			CL	
		1				R7	
		1				K7	
		1	D, P			B7	
		1	D, P			C7	
		1	Z			C7	
		1				A7	
12							BRACKET, Inboard Pivot
	4741 256	1				RL	
		1	D, P			CL	
		1	Z			CL	
		1				R7	
		1				K7	
		1	D, P			B7	
		1	D, P			C7	

DODGE - CHRYSLER NEON (PL)

SERIES	LINE	BODY	ENGINE	TRANSMISSION
L=Low Line	Z=Chrysler, RHD	41 = 4 Door,	ECB,EC0=2.0L 4 Cyl., 16V SMPI	DD5=5 Speed Manual
H=High Line	D=Dodge	104WB	ECH,EC0=2.0L 4 Cyl, 16V SOHC	DGC=3 Speed Automatic
	D=Chrysler		EJD,EJ0=1.6L 4 Cyl 16V, SOHC	DGL=4 Speed Automatic
	P=Plymouth		EBD,EB0=1.8L 4 Cyl 16V SEF	DG0=All Automatics
				DBB=All 5 Speed Manual

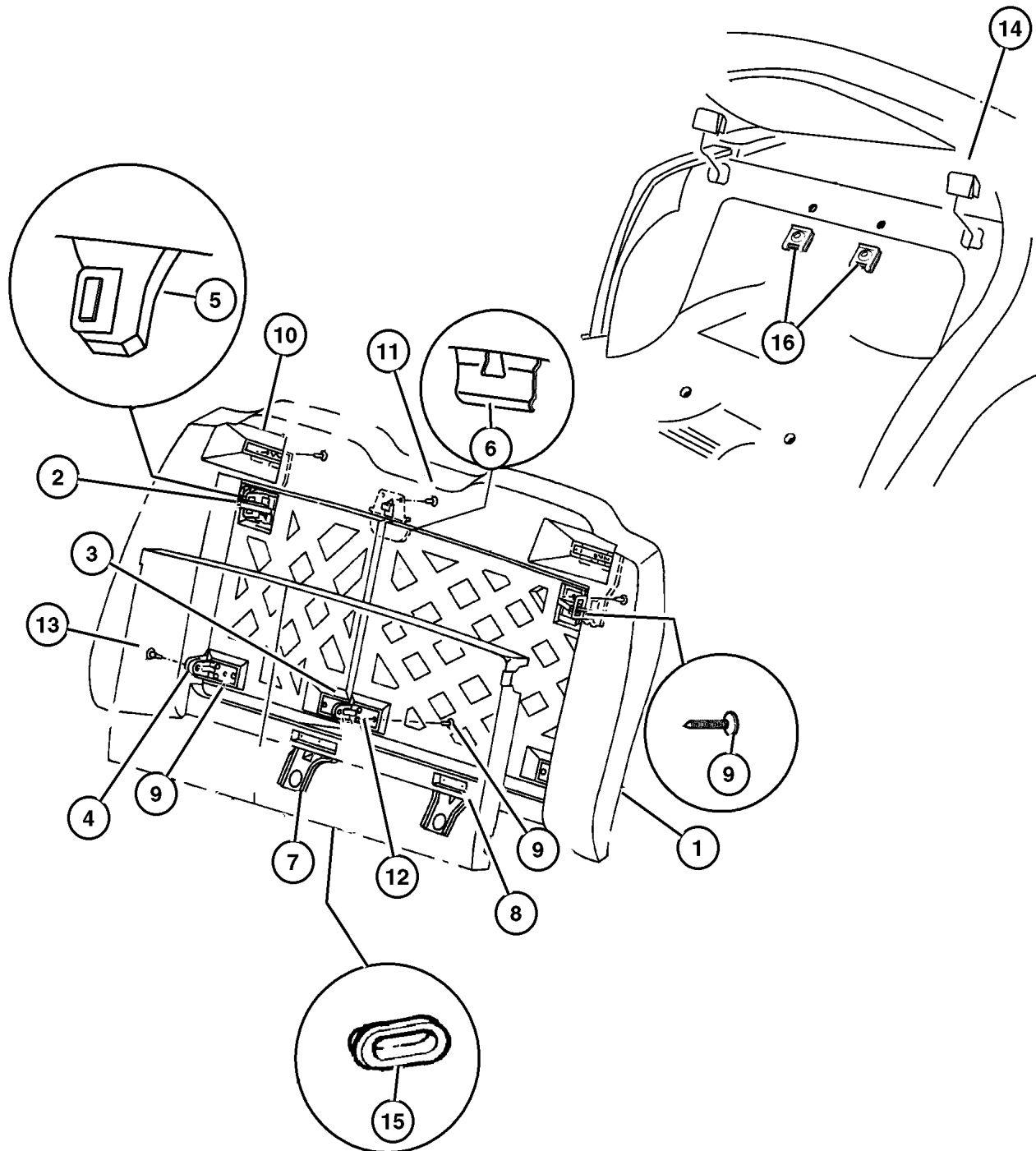
AR = Use as required - = Non illustrated part # = New this model year

May 2, 2002



Seat Rear - Attaching Parts Figure IPL-635

ITEM	PART NUMBER	QTY	LINE	SERIES	BODY	TRIM	DESCRIPTION
		1	Z			C7	
		1				A7	
13	4773 124	1					BOLT, Shoulder
		1	D, P			CL	
		1	Z			CL	
		1				R7	
		1				K7	
		1	D, P			B7	
		1	D, P			C7	
		1	Z			C7	
		1				A7	
14	4645 906AA	2					CLIP, Seat Back, Attaching
15	4645 939AA	2					RETAINER, Seat Cushion, Attaching
16	6501 703	2					U-NUT, M6 x 1.00, M6x1.00

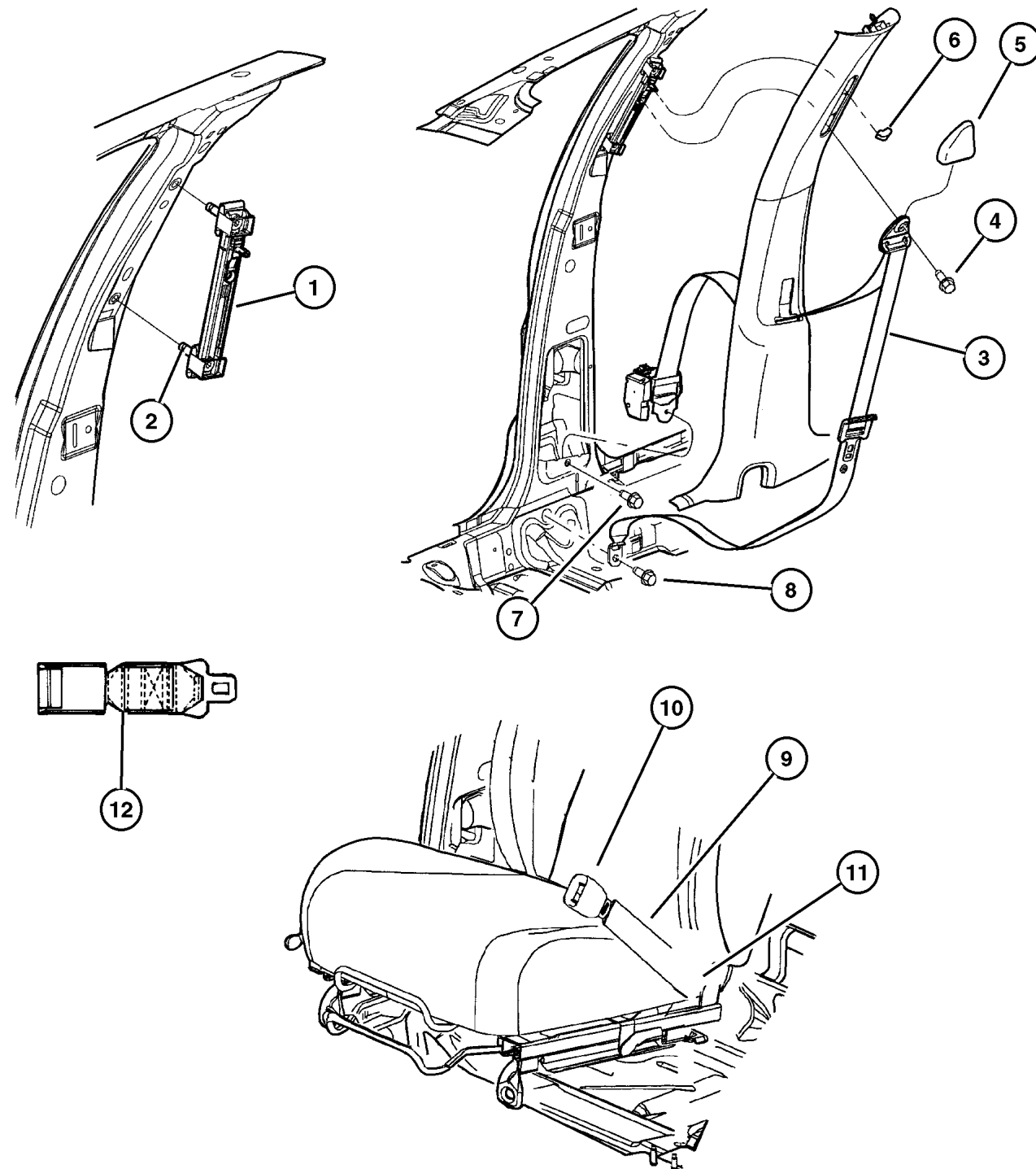


DODGE - CHRYSLER NEON (PL)				
SERIES	LINE	BODY	ENGINE	TRANSMISSION
L=Low Line	Z=Chrysler, RHD	41 = 4 Door,	ECB,EC0=2.0L 4 Cyl., 16V SMPI	DD5=5 Speed Manual
H=High Line	D=Dodge	104WB	ECH,EC0=2.0L 4 Cyl, 16V SOHC	DGC=3 Speed Automatic
	D=Chrysler		EJD,EJ0=1.6L 4 Cyl 16V, SOHC	DGL=4 Speed Automatic
	P=Plymouth		EBD,EB0=1.8L 4 Cyl 16V SEF	DG0=All Automatics
				DBB=All 5 Speed Manual

AR = Use as required - = Non illustrated part # = New this model year

May 2, 2002

Seat Belts - Front Figure IPL-710



ITEM	PART NUMBER	QTY	LINE	SERIES	BODY	TRIM	DESCRIPTION
Note: CGA = Manual Active (Mexico Only) n key.							
1	4645 950AC	2					ADJUSTER, Seat Belt Turning Loop
2							BOLT, Serviced With Item 1, (NOT SERVICED)
3							SEAT BELT, Front Outer
	#UP22 1DVAA	1	D, P				[DV], Right
	#UP22 1L5AA	1	D, P				[L5], Right
	#UP23 1DVAA	1	D, P				[DV], Left
	#UP23 1L5AA	1	D, P				[L5], Left
	PZ96 DX9AB	1	D, P				Black, 3 Point (European), Right
	SW87 DX9AA	1	D, P				Black, Left
	QQ52 DX9AB	1	Z				Black, Right
	PZ97 DX9AB	1	Z				Black, 3 Point, Left
	#UP20 1DVAA	1	D, P				[DV], With [CGA], Right
	#UP20 1L5AA	1	D, P				[L5], With [CGA], Right
	#UP21 1DVAA	1	D, P				[DV], With [CGA], Left
	#UP21 1L5AA	1	D, P				[L5], With [CGA], Left
4	6506 238AA	2					SCREW, Pan Head, Turn Loop Attachment Front
5							COVER, Adjustable Turning Loop
	JV77 1DV	1	D, P			CL	[DV]
		1	Z			CL	[DV]
		1				RL	[DV]
		1				R7	[DV]
		2				K7	[DV]
		2	D, P			B7	[DV]
		2	D, P			C7	[DV]
		2	Z			C7	[DV]
		1				A7	[DV]
	JV77 1L5	1	D, P			CL	[L5]
		1	Z			CL	[L5]
		2				K7	[L5]
		2	D, P			B7	[L5]
		2	D, P			C7	[L5]
		2	Z			C7	[L5]
6	4645 780	2					KNOB, Seat Belt Adjuster
7	6504 542	2					SCREW, 6 Lobed
8	6504 973AA	2					SCREW, Seat Belt Attaching
9	4864 880	AR					SEAT BELT, Front Inner
10							SEAT BELT, Buckle Half
	TQ09 1AZAA	1	D, P			B7	[DV]
		1	D, P			K7	[DV]
	TQ09 1L5AA	1	D, P			B7	[L5]
		1	D, P			K7	[L5]
11	6504 542	2					SCREW, 6 Lobed, Seat Belt Attaching

DODGE - CHRYSLER NEON (PL)

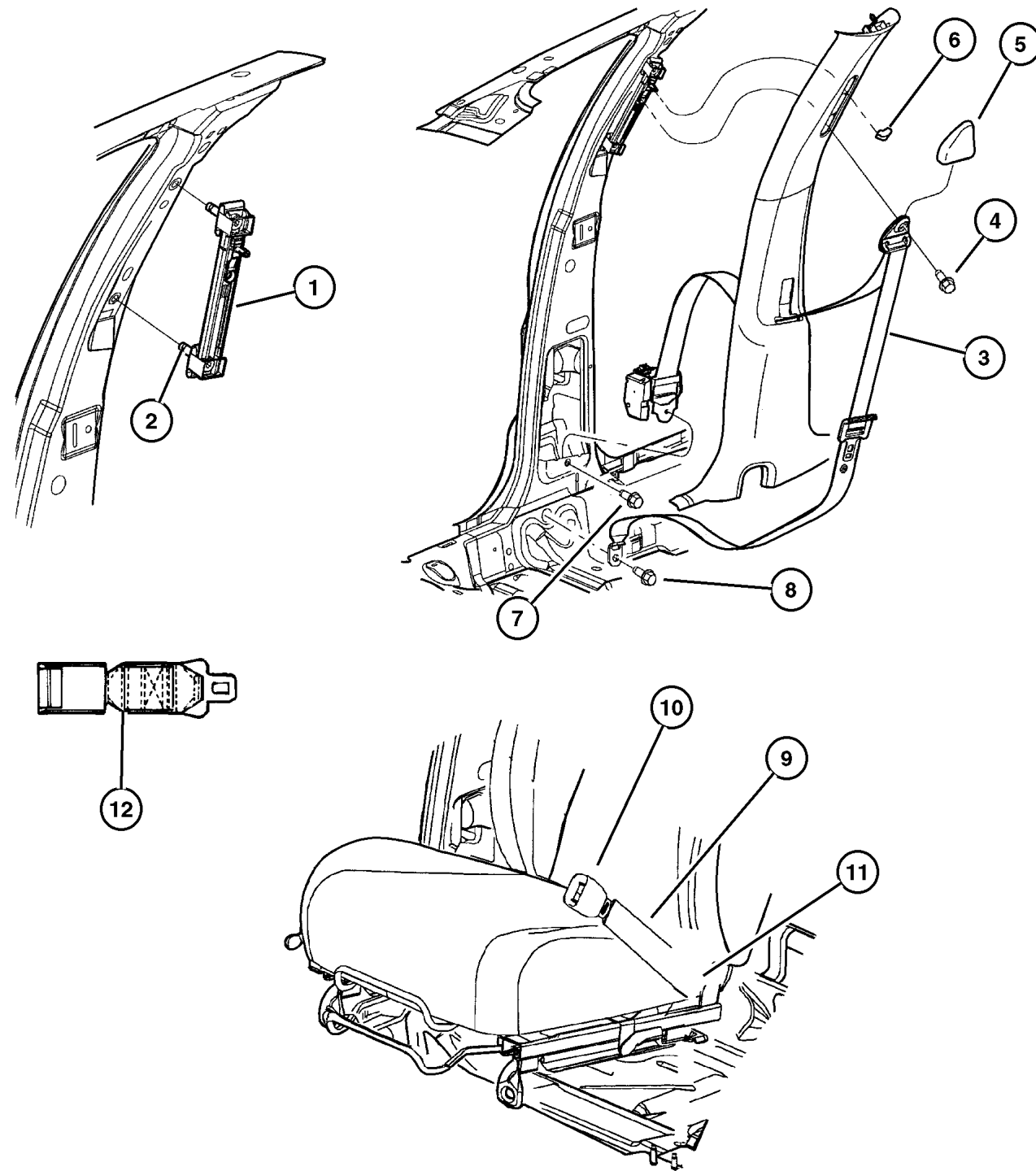
SERIES	LINE	BODY	ENGINE	TRANSMISSION
L=Low Line	Z=Chrysler, RHD	41 = 4 Door,	ECB,EC0=2.0L 4 Cyl., 16V SMPI	DD5=5 Speed Manual
H=High Line	D=Dodge	104WB	ECH,EC0=2.0L 4 Cyl, 16V SOHC	DGC=3 Speed Automatic
	D=Chrysler		EJD,EJ0=1.6L 4 Cyl 16V, SOHC	DGL=4 Speed Automatic
	P=Plymouth		EBD,EB0=1.8L 4 Cyl 16V SEF	DG0=All Automatics
				DBB=All 5 Speed Manual

AR = Use as required - = Non illustrated part # = New this model year

May 2, 2002

Seat Belts - Front Figure IPL-710

ITEM	PART NUMBER	QTY	LINE	SERIES	BODY	TRIM	DESCRIPTION
12	4856 560	1					EXTENDER, Seat Belt

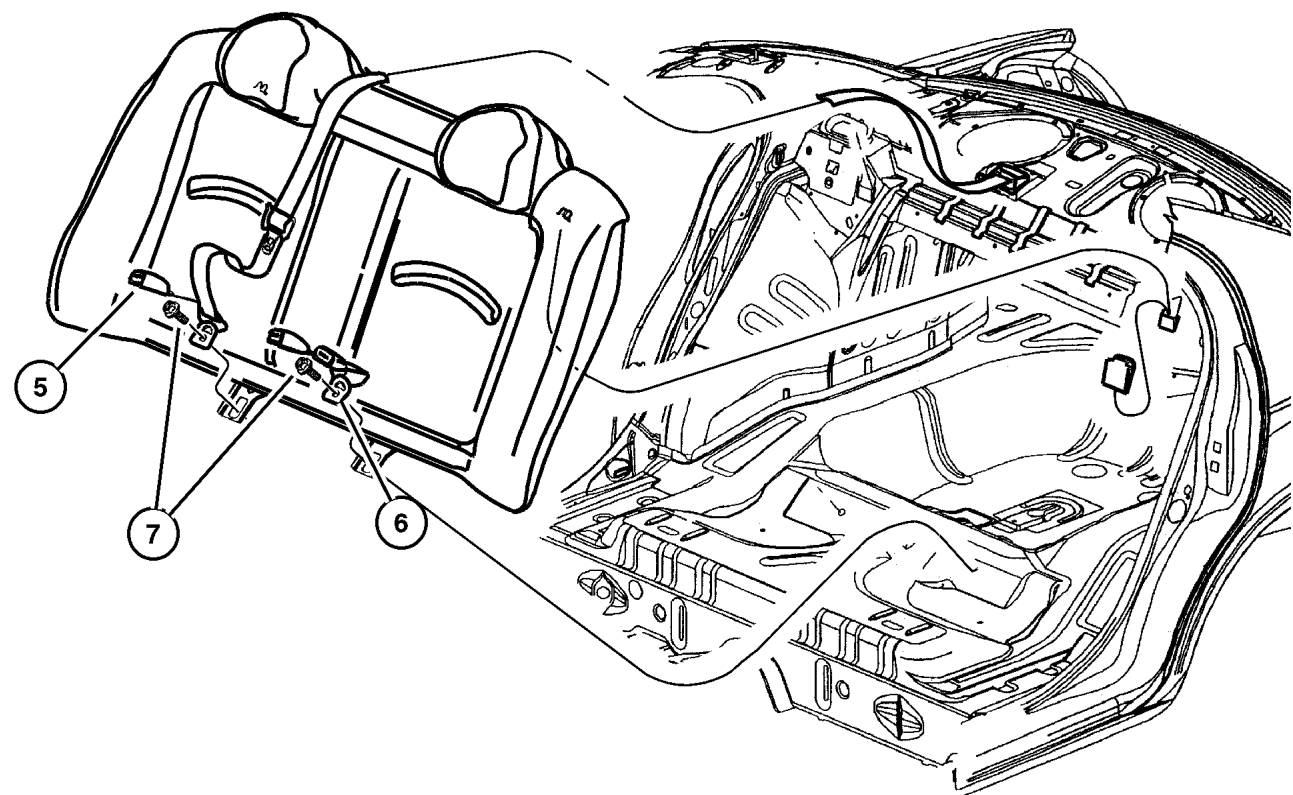
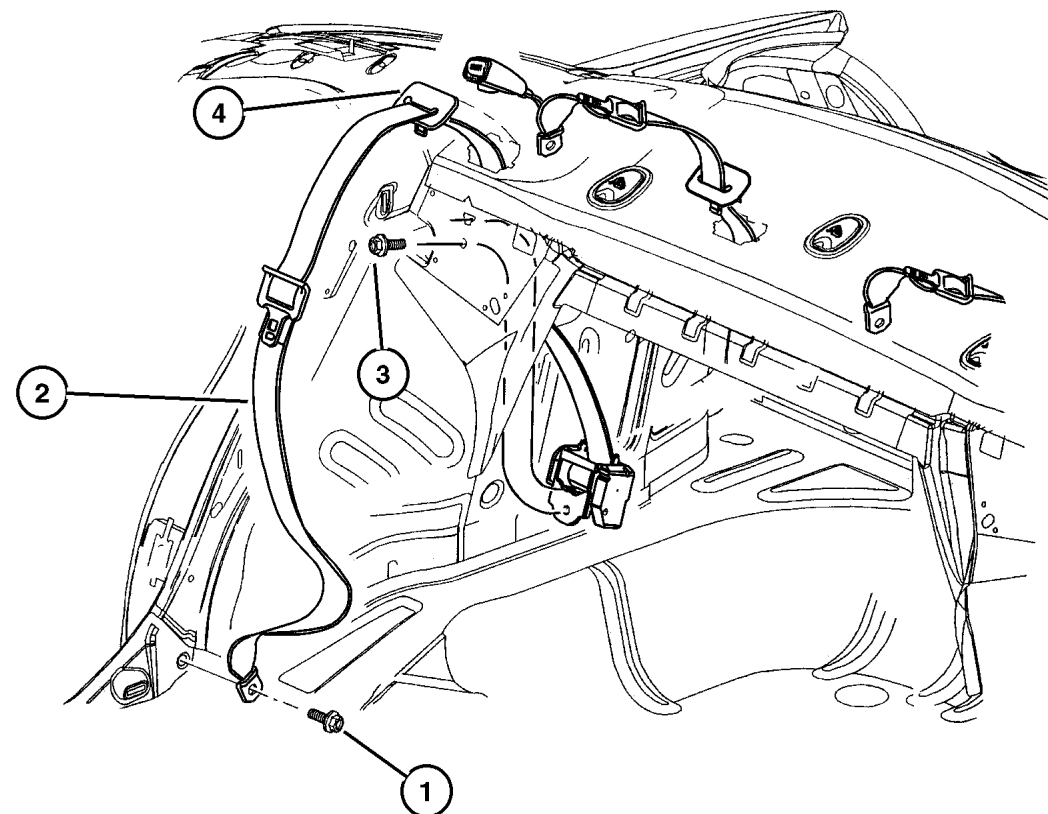


DODGE - CHRYSLER NEON (PL)				
SERIES	LINE	BODY	ENGINE	TRANSMISSION
L=Low Line	Z=Chrysler, RHD	41 = 4 Door,	ECB,EC0=2.0L 4 Cyl., 16V SMPI	DD5=5 Speed Manual
H=High Line	D=Dodge	104WB	ECH,EC0=2.0L 4 Cyl, 16V SOHC	DGC=3 Speed Automatic
	D=Chrysler		EJD,EJ0=1.6L 4 Cyl 16V, SOHC	DGL=4 Speed Automatic
	P=Plymouth		EBD,EB0=1.8L 4 Cyl 16V SEF	DG0=All Automatics
				DBB=All 5 Speed Manual

AR = Use as required - = Non illustrated part # = New this model year

May 2, 2002

Seat Belts - Rear
Figure IPL-720



ITEM	PART NUMBER	QTY	LINE	SERIES	BODY	TRIM	DESCRIPTION
1	6504 542	2					SCREW, 6 Lobed
2							SEAT BELT, Rear Outer
	#UP16 1L5AA	2	D, P				[L5]
	#UP16 XDVAA	2	D, P				[DV]
	PZ98 1X8	2	D, P				Black/Taupe, (L5) European
	PZ98 1XV	2	D, P				Black/Gray, (DV) European
	PZ98 1X8	2	Z				Black/Taupe, (L5)
	PZ98 1XV	2	Z				Black/Gray, (DV)
3							SCREW AND WASHER, Pan Head, .437-20x1.20
	6035 992AA	2					Center Retractor Attaching, Rear
		1					Retractor Attaching, Rear
4							BEZEL, Seat Belt, Serviced With Seat Belt, (NOT SERVICED)
5							SEAT BELT, RR CNTR SHOULDER
	#TA40 1DVAB	1	D, P				[DV]
	#TA40 1L5AB	1	D, P				[L5]
	#TA41 1X8AB	1	D, P				Black/Taupe, (L5) European
	#TA41 1XVAB	1	D, P				Black/Gray, (DV) European
	#TA41 1X8AB	1	Z				Black/Taupe, (L5)
	#TA41 1XVAB	1	Z				Black/Gray, (DV)
6							SEAT BELT, Rear Inner
	#TA43 1DVAA	1	D, P				[DV], Left
	#TA43 1L5AA	1	D, P				[L5], Left
	#TA45 1X9AA	1	D, P				Black, European, Left
		1	Z				Black, Left
7	6034 819	2					SCREW, Seat Belt Attaching, .50-20x1.38
-8							BRACKET, Child Tether Anchor
	5008 328AB	1					Center
	5008 332AB	1					Right
	5008 333AB	1					Left
-9							COVER, Anchor
	TA52 WL8AA	3					[L5], (Cap Child Teather Shelf Panel)
	TA52 XDVAA	3					[DV] (Cap Child Teather Shelf Panel)
-10	5023 227AA	3					PIN, Child Teather

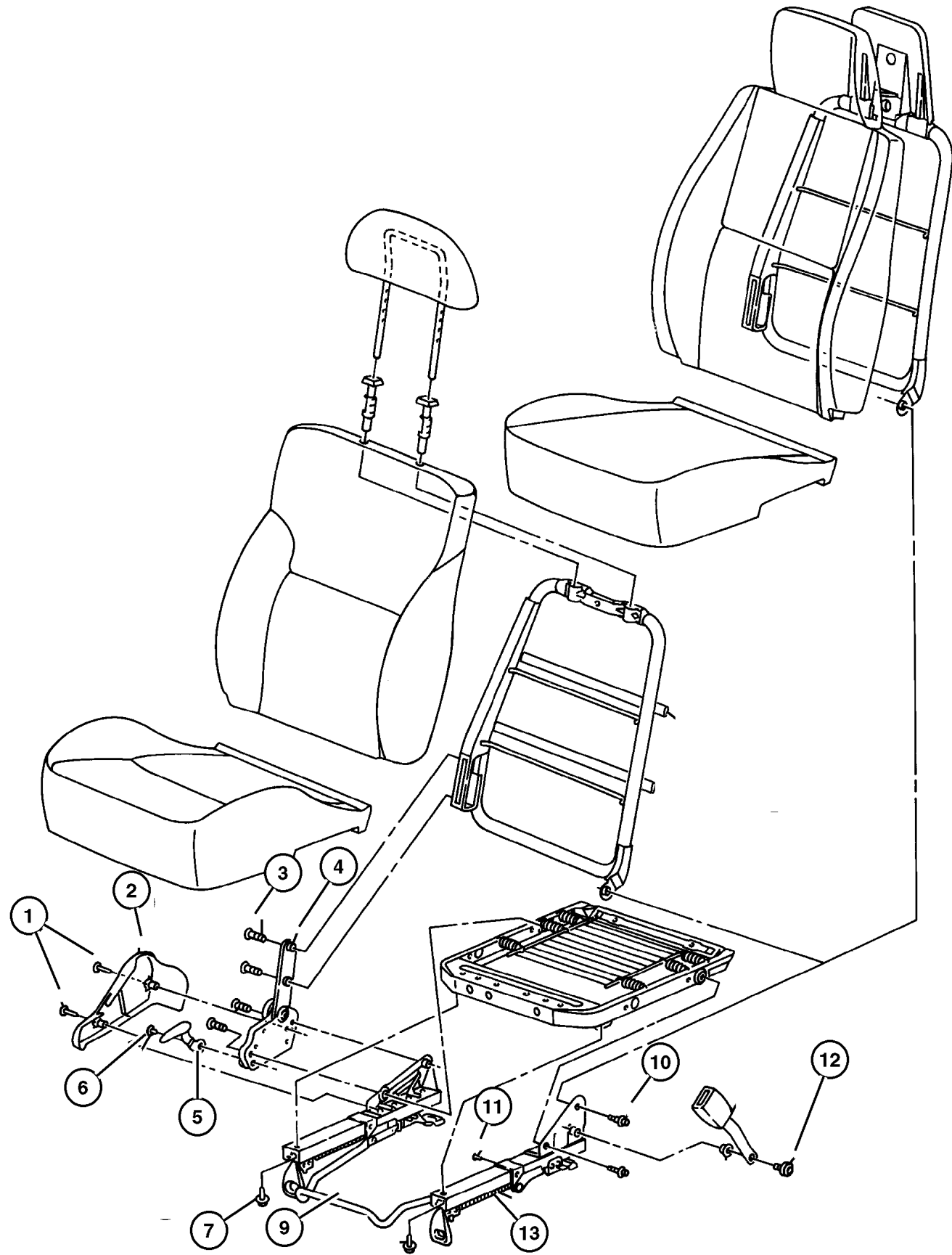
DODGE - CHRYSLER NEON (PL)

SERIES	LINE	BODY	ENGINE	TRANSMISSION
L=Low Line	Z=Chrysler, RHD	41 = 4 Door,	ECB,EC0=2.0L 4 Cyl., 16V SMPI	DD5=5 Speed Manual
H=High Line	D=Dodge	104WB	ECH,EC0=2.0L 4 Cyl, 16V SOHC	DGC=3 Speed Automatic
	D=Chrysler		EJD,EJ0=1.6L 4 Cyl 16V, SOHC	DGL=4 Speed Automatic
	P=Plymouth		EBD,EB0=1.8L 4 Cyl 16V SEF	DG0=All Automatics
				DBB=All 5 Speed Manual

AR = Use as required - = Non illustrated part # = New this model year

May 2, 2002

Seat Adjusters, Recliners and Side Shields Figure IPL-810



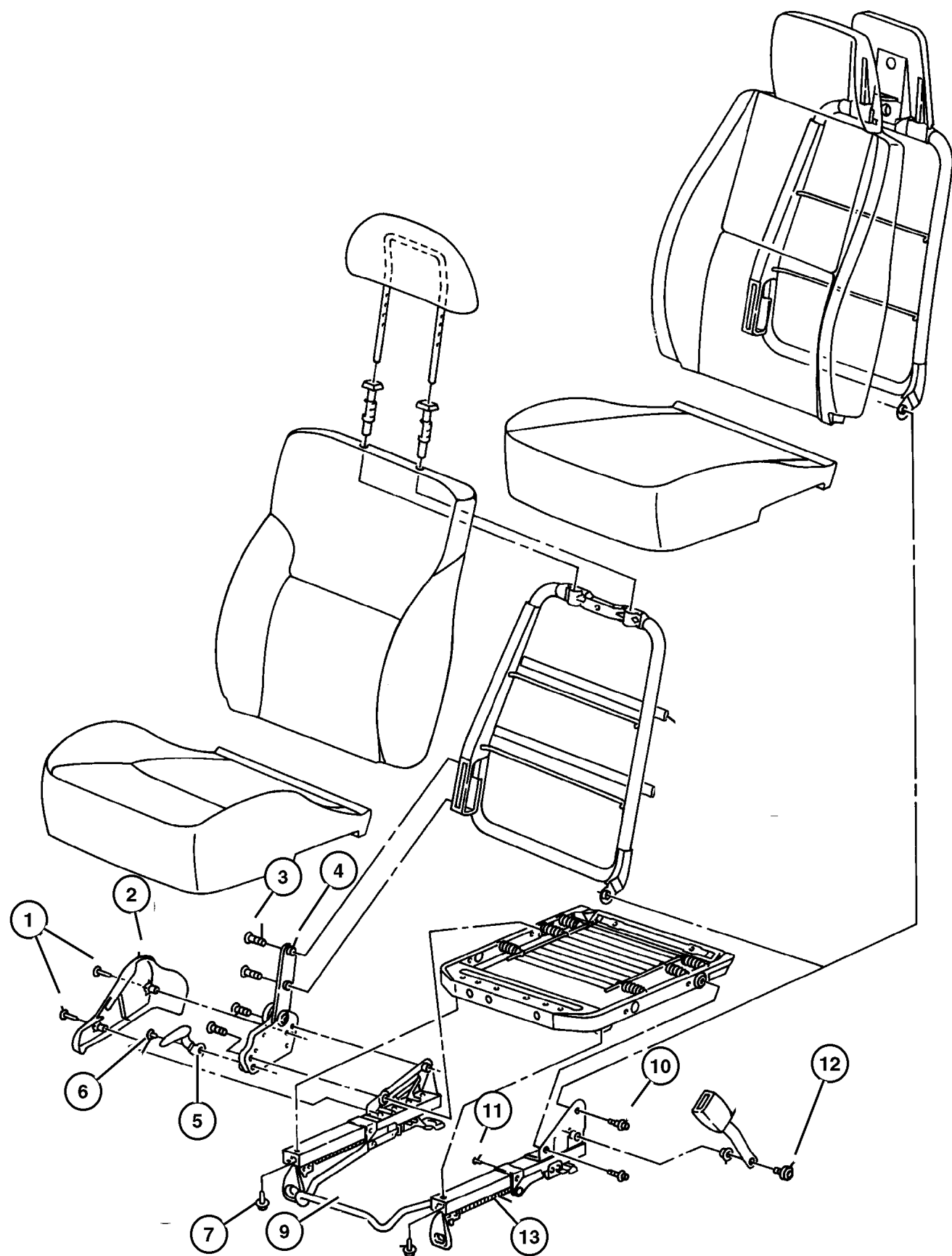
ITEM	PART NUMBER	QTY	LINE	SERIES	BODY	TRIM	DESCRIPTION
1							SCREW, Side Shield Outer, (NOT SERVICED)
2							SHIELD, Seat Cushion
	JF76 1DV	1				RL	Quartz, Right
		1				A7	Quartz, Right
		1				R7	Quartz, Right
		1	D, P			B7	Quartz, Right
		1	D, P			K7	Quartz, Right
		1	Z			K7	Quartz, Right
		1				K7	Quartz, Right
	JF76 1L5	1	D, P			CL	Quartz, Right
		1	D, P			C7	Quartz, Right
		1	D, P			K7	Taupe, Right
		1	Z			K7	Taupe, Right
	JF77 1DV	1	D, P			B7	Taupe, Right
		1	D, P			C7	Taupe, Right
		1	D, P			CL	Taupe, Right
		1	Z			CL	Quartz, Left
	JF77 1L5	1				A7	Quartz, Left
		1				K7	Quartz, Left
		1	Z			C7	Quartz, Left
		1	Z			CL	Taupe, Left
	#UA12 1DVAA	1	D, P			K7	Taupe, Left
		1	Z			C7	Taupe, Left
		1	Z			K7	Taupe, Left
	#UA12 1L5AA	1	Z			CL	Quartz, Right,Power
	#UA12 1DVAA	1	Z			CL	Taupe, Right,Power
	#UA13 1DVAA	1	D, P			C7	Quartz, Right,Power
		1	D, P			CL	Quartz, Left,Power
	#UA13 1L5AA	1	D, P			C7	Quartz, Left,Power
		1	D, P			C7	Taupe, Left,Power
		1	D, P			CL	Taupe, Left,Power
3							BOLT, Recliner
	4746 997	1				A7	
		2	D, P			B7	
		2	Z			C7	
		2	D, P			C7	
		1	D, P			CL	
		1	Z			CL	
		1	D, P			K7	
		1	Z			K7	
		2				R7	
		1				RL	
4							RECLINER, Seat Back

DODGE - CHRYSLER NEON (PL)

SERIES	LINE	BODY	ENGINE	TRANSMISSION
L=Low Line	Z=Chrysler, RHD	41 = 4 Door,	ECB,EC0=2.0L 4 Cyl., 16V SMPI	DD5=5 Speed Manual
H=High Line	D=Dodge	104WB	ECH,EC0=2.0L 4 Cyl, 16V SOHC	DGC=3 Speed Automatic
	D=Chrysler		EJD,EJ0=1.6L 4 Cyl 16V, SOHC	DGL=4 Speed Automatic
	P=Plymouth		EBD,EB0=1.8L 4 Cyl 16V SEF	DG0=All Automatics
				DBB=All 5 Speed Manual

AR = Use as required - = Non illustrated part # = New this model year

Seat Adjusters, Recliners and Side Shields Figure IPL-810



ITEM	PART NUMBER	QTY	LINE	SERIES	BODY	TRIM	DESCRIPTION
	4797 318	1				RL	Right
		1				R7	Right
		1				A7	Right
		1	D, P			B7	Right
		1	D, P			K7	Right
		1	Z			C7	Right
		1	Z			K7	Right
		1	D, P			C7	Right
		1	D, P			CL	Right
	4797 319	1	Z			CL	Right
		1	Z			CL	Left
		1	Z			K7	Left
		1	D, P			CL	Left
		1	D, P			C7	Left
		1	Z			C7	Left
		1	D, P			K7	Left
		1	D, P			B7	Left
		1				R7	Left
		1				A7	Left
		1				RL	Left
5							HANDLE, Recliner
	4740 986	1				RL	Right
		1				R7	Right
		1				A7	Right
		1	D, P			B7	Right
		1	D, P			K7	Right
		1	Z			C7	Right
		1	Z			K7	Right
		1	D, P			C7	Right
		1	D, P			CL	Right
		1	Z			CL	Right
	4740 987	1	Z			CL	Left
		1	D, P			CL	Left
		1	D, P			C7	Left
		1	Z			K7	Left
		1	D, P			K7	Left
		1	D, P			B7	Left
		1				R7	Left
		1				A7	Left
		1				RL	Left
6							BOLT, Recliner, Recliner Handle Attaching (M6x10-T30 Torx)

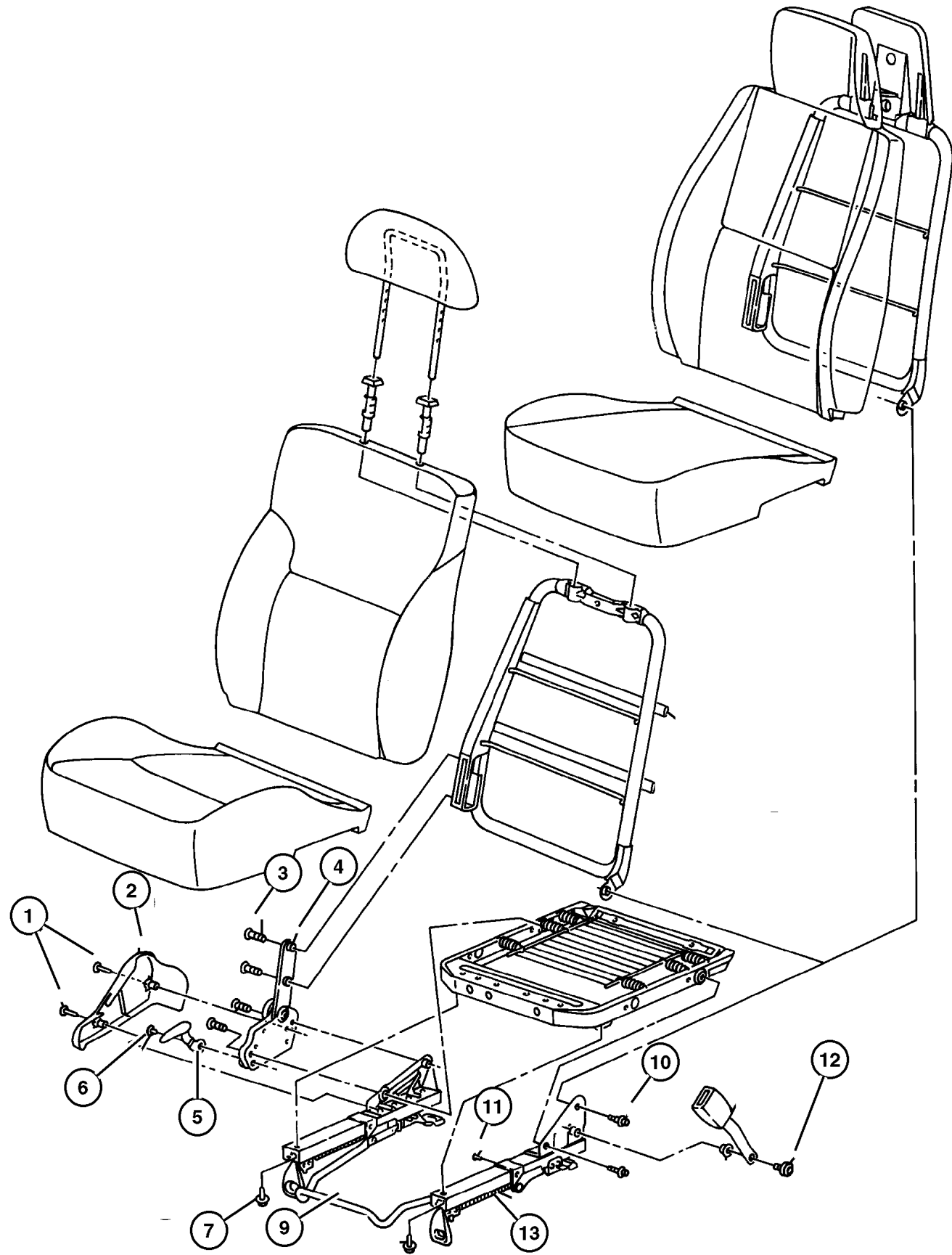
DODGE - CHRYSLER NEON (PL)

SERIES	LINE	BODY	ENGINE	TRANSMISSION
L=Low Line	Z=Chrysler, RHD	41 = 4 Door,	ECB,EC0=2.0L 4 Cyl., 16V SMPI	DD5=5 Speed Manual
H=High Line	D=Dodge	104WB	ECH,EC0=2.0L 4 Cyl, 16V SOHC	DGC=3 Speed Automatic
	D=Chrysler		EJD,EJ0=1.6L 4 Cyl 16V, SOHC	DGL=4 Speed Automatic
	P=Plymouth		EBD,EB0=1.8L 4 Cyl 16V SEF	DG0=All Automatics
				DBB=All 5 Speed Manual

AR = Use as required - = Non illustrated part # = New this model year

May 2, 2002

Seat Adjusters, Recliners and Side Shields Figure IPL-810



ITEM	PART NUMBER	QTY	LINE	SERIES	BODY	TRIM	DESCRIPTION
	4746 997	1				A7	
		2	D, P			B7	
		2	Z			C7	
		2	D, P			C7	
		1	D, P			CL	
		1	Z			CL	
		1	D, P			K7	
		1	Z			K7	
		2				R7	
		1				RL	
7							BOLT, Cushion To Adjuster
	4761 014	1				A7	
		1	D, P			B7	
		1	Z			C7	
		1	D, P			C7	
		1	D, P			CL	
		1	Z			CL	
		1	D, P			K7	
		1	Z			K7	
		1				R7	
		1				RL	
-8							SCREW AND WASHER, Hex Head, M10x1.5x40
	6505 872AA	1				A7	
		2	D, P			B7	
		2	D, P			C7	
		2	Z			C7	
		1	Z			CL	
		1	D, P			CL	
		2	D, P			K7	
		2	Z			K7	
		1				R7	
		1				RL	
9							TOWEL BAR, Seat Adjuster Handle
	5017 602AA	1				A7	
		2	D, P			B7	
		2	D, P			C7	
		2	Z			C7	
		1	Z			CL	
		1	D, P			CL	
		2				K7	
		1				R7	
		1				RL	
10	4874 140	AR					BOLT, Adjuster Shoulder, Adjuster To Cushion

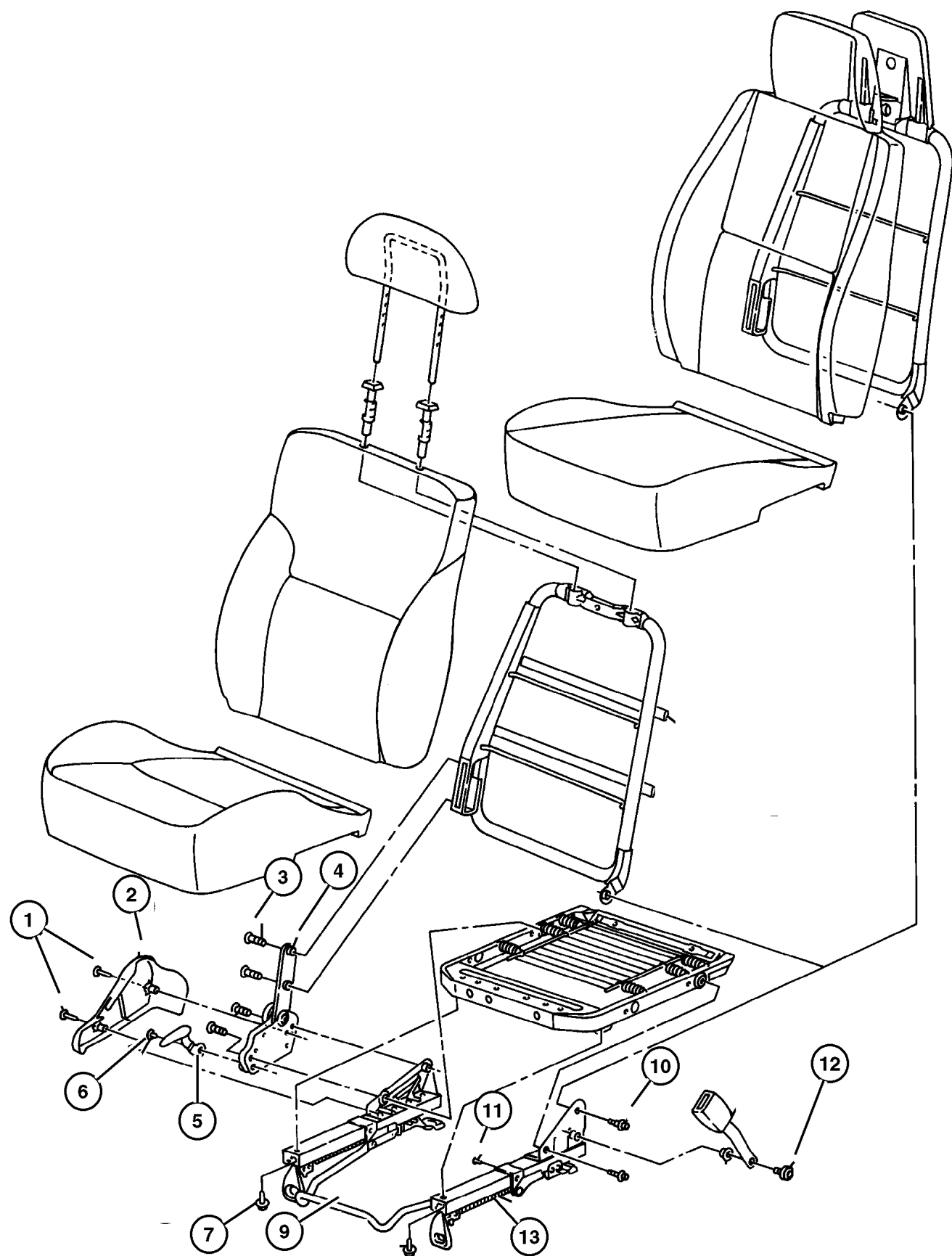
DODGE - CHRYSLER NEON (PL)

SERIES	LINE	BODY	ENGINE	TRANSMISSION
L=Low Line	Z=Chrysler, RHD	41 = 4 Door,	ECB,EC0=2.0L 4 Cyl., 16V SMPI	DD5=5 Speed Manual
H=High Line	D=Dodge	104WB	ECH,EC0=2.0L 4 Cyl, 16V SOHC	DGC=3 Speed Automatic
	D=Chrysler		EJD,EJ0=1.6L 4 Cyl 16V, SOHC	DGL=4 Speed Automatic
	P=Plymouth		EBD,EB0=1.8L 4 Cyl 16V SEF	DG0=All Automatics
				DBB=All 5 Speed Manual

AR = Use as required - = Non illustrated part # = New this model year

May 2, 2002

Seat Adjusters, Recliners and Side Shields Figure IPL-810



ITEM	PART NUMBER	QTY	LINE	SERIES	BODY	TRIM	DESCRIPTION
11							RIVET, Pop, (NOT SERVICED)
12	6504 973AA	2					SCREW, Attaching, Seat Belt
13	5017 598AA	1	D, P			CL	ADJUSTER, Manual Seat Left, Inboard
		1				RL	Left, Inboard
		1				R7	Left, Inboard
		1	D, P			K7	Left, Inboard
		1	Z			K7	Left, Inboard
		1	D, P			B7	Left, Inboard
		1	D, P			C7	Left, Inboard
	5017 599AA	1	D, P			A7	Left, Inboard
		1				CL	Left, Outboard
		1				RL	Left, Outboard
		1				R7	Left, Outboard
		1	D, P			K7	Left, Outboard
		1	Z			K7	Left, Outboard
		1	D, P			B7	Left, Outboard
		1	D, P			C7	Left, Outboard
	5017 600AA	1	Z			A7	Left, Outboard
		1	D, P			CL	Right, Outboard
		1				K7	Right, Outboard
		1	Z			C7	Right, Outboard
		1				A7	Right, Outboard
	5017 601AA	1	Z			CL	Right, Inboard
		1	D, P			K7	Right, Inboard
		1	Z			K7	Right, Inboard
		1	Z			C7	Right, Inboard
		1				A7	Right, Inboard
-14							ADJUSTER, Power Seat
	#5018 094AA	1	Z			CL	Right
		1	Z			C7	Right
	#5018 095AA	1	D, P			CL	Left
		1				R7	Left
		1	D, P			B7	Left
		1	D, P			C7	Left
-15							WIRE, Seat Adjuster
	5017 596AA	1				A7	
		1	D, P			B7	
		1	Z			C7	
		1	D, P			C7	
		1	D, P			CL	

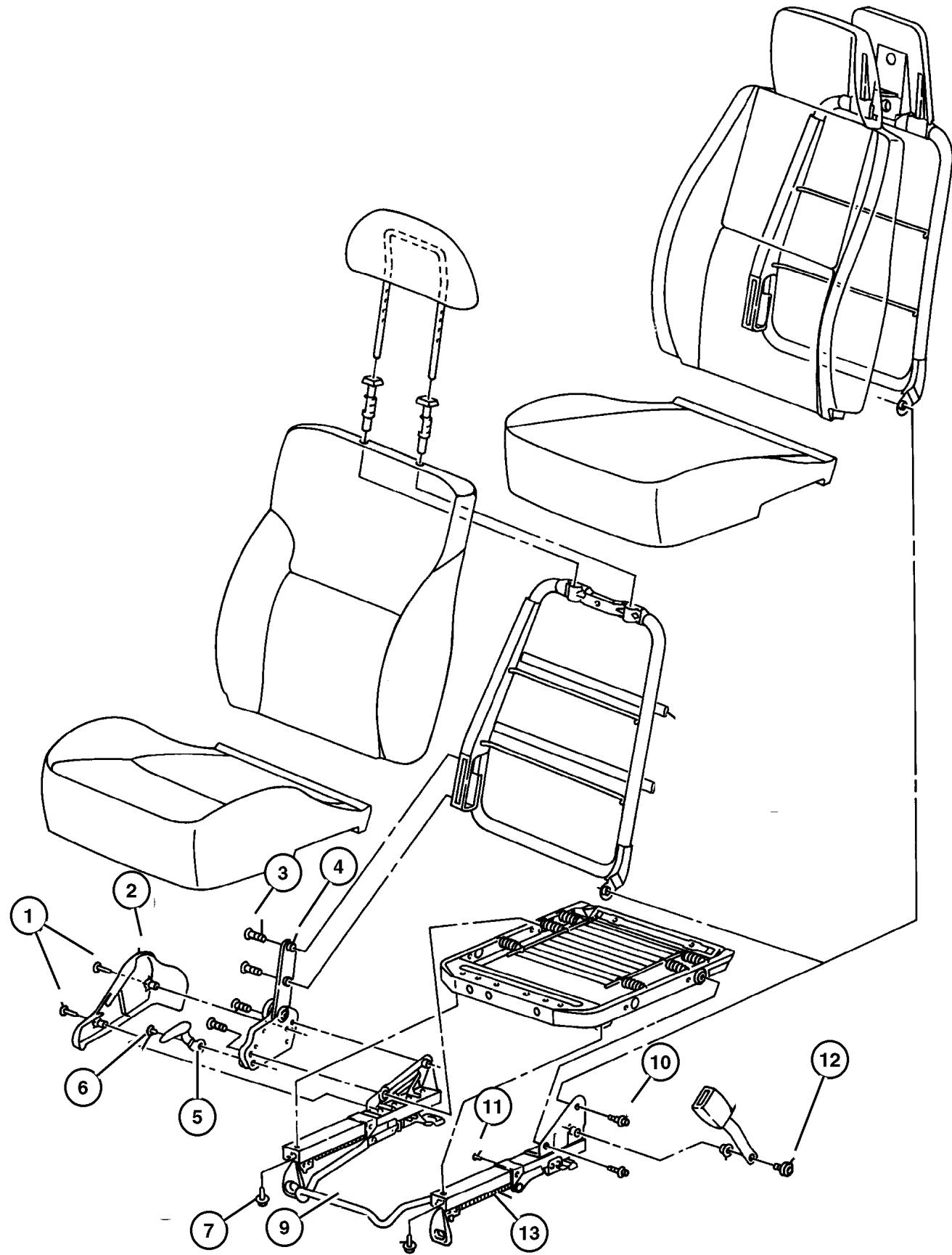
DODGE - CHRYSLER NEON (PL)

SERIES	LINE	BODY	ENGINE	TRANSMISSION
L=Low Line	Z=Chrysler, RHD	41 = 4 Door,	ECB,EC0=2.0L 4 Cyl., 16V SMPI	DD5=5 Speed Manual
H=High Line	D=Dodge	104WB	ECH,EC0=2.0L 4 Cyl, 16V SOHC	DGC=3 Speed Automatic
	D=Chrysler		EJD,EJ0=1.6L 4 Cyl 16V, SOHC	DGL=4 Speed Automatic
	P=Plymouth		EBD,EB0=1.8L 4 Cyl 16V SEF	DG0=All Automatics
				DBB=All 5 Speed Manual

AR = Use as required - = Non illustrated part # = New this model year

May 2, 2002

Seat Adjusters, Recliners and Side Shields Figure IPL-810



ITEM	PART NUMBER	QTY	LINE	SERIES	BODY	TRIM	DESCRIPTION
		1	Z			CL	
		1	D, P			K7	
		1	Z			K7	
		1				R7	
		1				RL	
-16							SPRING, Seat Track Adjuster
	5017 595AA	1				A7	
		2	D, P			B7	
		2	Z			C7	
		2	D, P			C7	
		1	D, P			CL	
		1	Z			CL	
		1	D, P			K7	
		1	Z			K7	
		1				R7	
		1				RL	
-17							AIR BAG, Seat
	4645 946AA	2				A7	
		2	D, P			B7	
		2	Z			C7	
		1	D, P			C7	
		1	Z			CL	
		1	D, P			CL	
		2				K7	
		2				R7	
-18							MOTOR, Power Seat
	#5018 096AA	1	D, P			CL	
		1	Z			CL	
		1				RL	
		1				R7	
		1	D, P			B7	
		1	D, P			C7	
		1	Z			C7	
-19							COVER, Seat Adjuster
	4897 937AA	1	D, P			CL	Black, Rear
		1	Z			CL	Black, Rear
		1				RL	Black, Rear
		1				R7	Black, Rear
		1	D, P			K7	Black, Rear
		1	Z			K7	Black, Rear
		2	D, P			B7	Black, Rear
		2	D, P			C7	Black, Rear

DODGE - CHRYSLER NEON (PL)

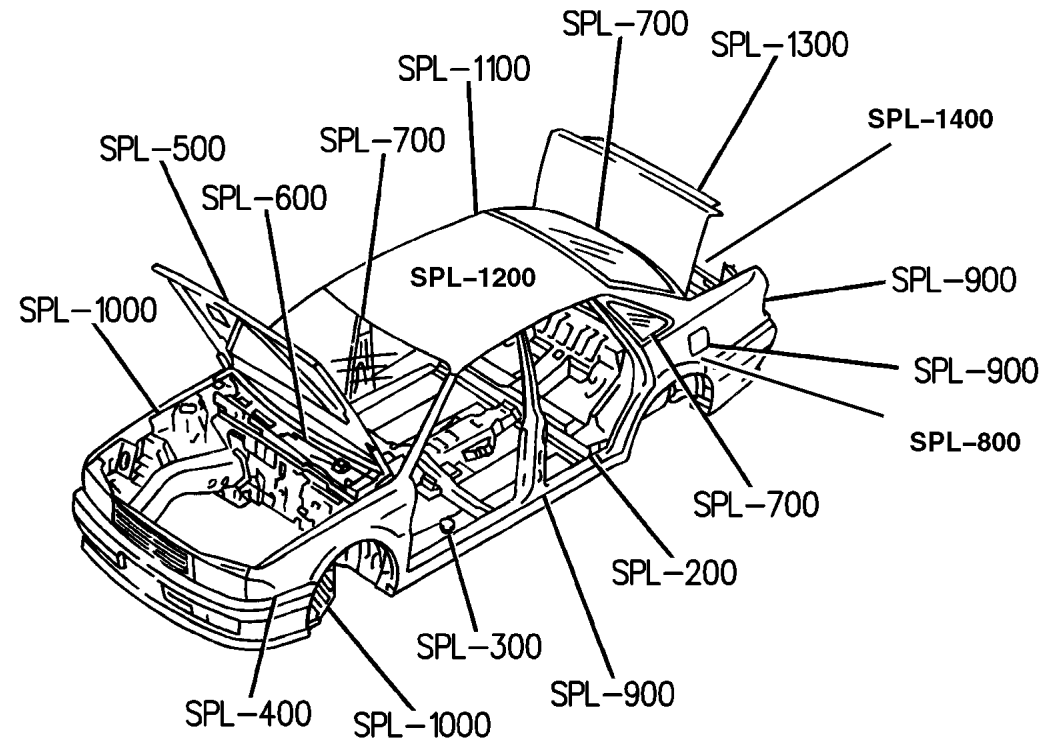
SERIES	LINE	BODY	ENGINE	TRANSMISSION
L=Low Line	Z=Chrysler, RHD	41 = 4 Door,	ECB,EC0=2.0L 4 Cyl., 16V SMPI	DD5=5 Speed Manual
H=High Line	D=Dodge	104WB	ECH,EC0=2.0L 4 Cyl, 16V SOHC	DGC=3 Speed Automatic
	D=Chrysler		EJD,EJ0=1.6L 4 Cyl 16V, SOHC	DGL=4 Speed Automatic
	P=Plymouth		EBD,EB0=1.8L 4 Cyl 16V SEF	DG0=All Automatics
				DBB=All 5 Speed Manual

AR = Use as required - = Non illustrated part # = New this model year

May 2, 2002

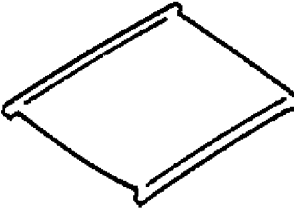
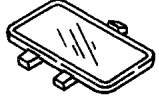
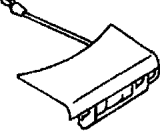
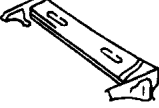
Group – SPL

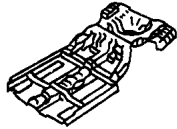

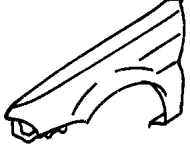
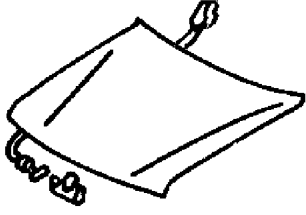
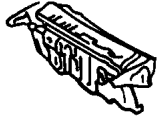

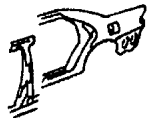
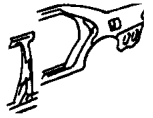
Body Sheet Metal Except Doors



Group – SPL

Body Sheet Metal Except Doors

<p>SPL-1100 Roof Panels</p> 	<p>SPL-1200 Sunroof</p> 	<p>SPL-1300 Deck Lid</p> 	<p>SPL-1400 Rear Shelf Panel</p> 
--	--	---	---

<p>SPL-200 Floor Pans</p> 	<p>SPL-300 Plugs</p> 	<p>SPL-400 Front Fenders</p> 	<p>SPL-500 Hood and Hood Release</p> 
<p>SPL-600 Cowl and Dash Panel</p> 	<p>SPL-700 Glass and Mirror</p> 	<p>SPL-800 Aperture Panel</p> 	<p>SPL-900 Quarter Panel</p> 

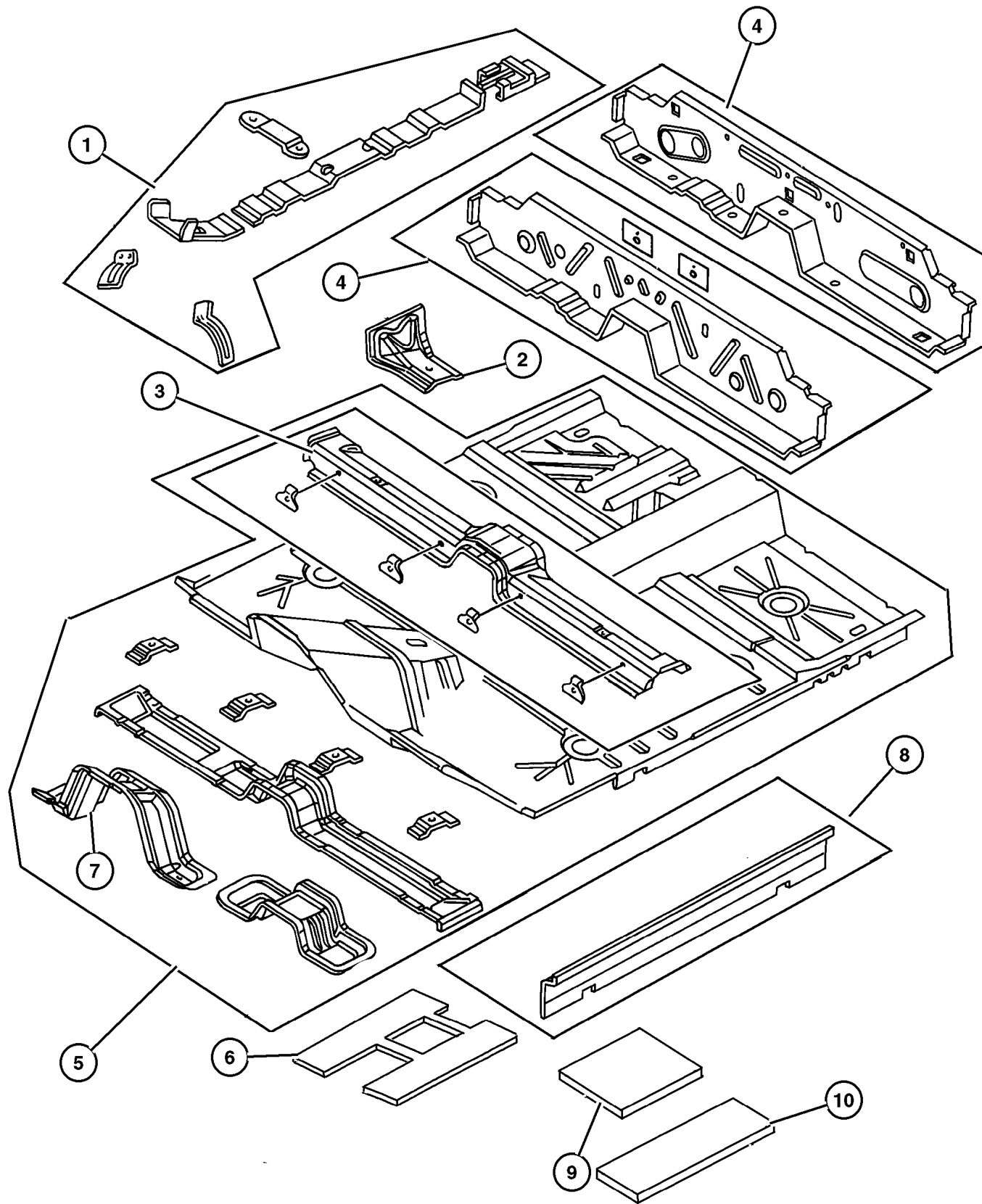


GROUP SPL - Body Sheet Metal Except Doors

Illustration Title	Group-Fig. No.
Floor Pans	
Floor Pan	Fig. SPL-210
Floor Pan, Rear	Fig. SPL-220
Plugs	
PLugs	Fig. SPL-310
Front Fenders	
Front Fender	Fig. SPL-410
Hood and Hood Release	
Hood and Hood Release	Fig. SPL-510
Seal and Weather Strips (Hood)	Fig. SPL-520
Cowl and Dash Panel	
Cowl and Dash Panel	Fig. SPL-610
Glass and Mirror	
Windshield, Backlite and Mirror	Fig. SPL-710
Aperture Panel	
Aperture Panels - Packages (4-Door)	Fig. SPL-810
Aperture Panels - 4 Door	Fig. SPL-820
Quarter Panel	
Quarter Panel	Fig. SPL-910
Roof Panels	
Roof Panel	Fig. SPL-1110
Sunroof	
Sunroof	Fig. SPL-1210
Sunroof - Attaching Parts	Fig. SPL-1215
Deck Lid	
Deck Lid	Fig. SPL-1310
Spoiler - Rear Deck Lid	Fig. SPL-1315
Rear Shelf Panel	
Rear Shelf Panel	Fig. SPL-1410



Floor Pan Figure SPL-210



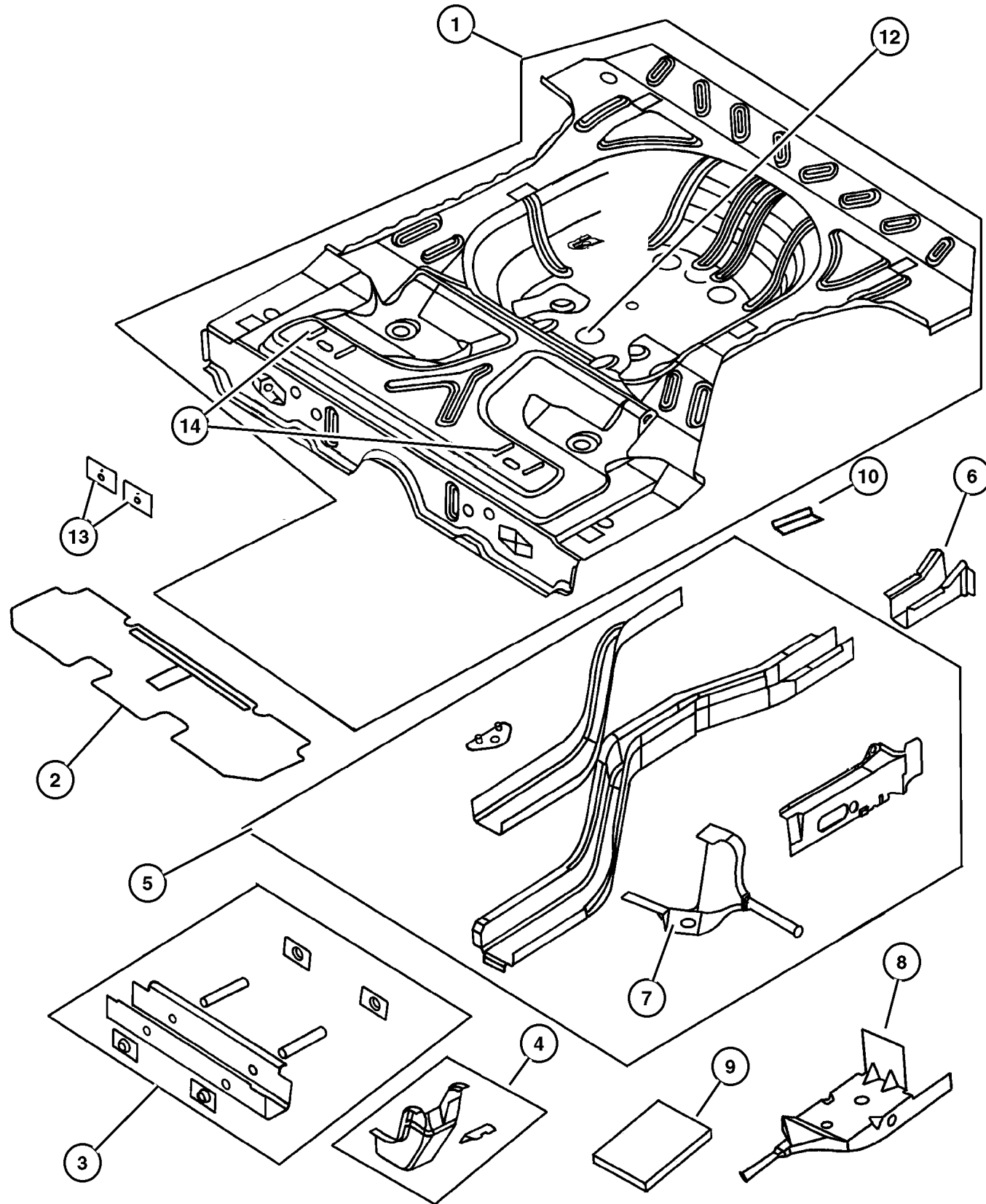
ITEM	PART NUMBER	QTY	LINE	BODY	DESCRIPTION
1	4783 733AE	1			BRACKET, Floor Console
2	4783 740	1			BRACE, Floor Pan To Sill Right
	4783 741	1			Left
3	5014 424AA	1			CROSSMEMBER, Front Floor
4	5014 458AD	1			CROSSMEMBER, Rear Floor
5	5013 068AG	1			PAN, Floor
6	5008 350AA	1			PAD, Front Floor Pan Right
	5008 351AA	1			Left
7	5014 424AA	1			CROSSMEMBER, Front Floor
8	5012 862AH	1			PANEL PACKAGE, Sill Right
	5012 863AH	1			Left
9	4278 178	16			TAPE, Hole Cover, 50x50x1 mm
10	4740 136	1			SILENCER, Floor Pan
	4888 865AA	1			Front Floor Pan Under Rear Seat

DODGE - CHRYSLER NEON (PL)				
SERIES	LINE	BODY	ENGINE	TRANSMISSION
L=Low Line	Z=Chrysler, RHD	41 = 4 Door,	ECB,EC0=2.0L 4 Cyl., 16V SMPI	DD5=5 Speed Manual
H=High Line	D=Dodge	104WB	ECH,EC0=2.0L 4 Cyl, 16V SOHC	DGC=3 Speed Automatic
	D=Chrysler		EJD,EJ0=1.6L 4 Cyl 16V, SOHC	DGL=4 Speed Automatic
	P=Plymouth		EBD,EB0=1.8L 4 Cyl 16V SEF	DG0=All Automatics
				DBB=All 5 Speed Manual

AR = Use as required - = Non illustrated part # = New this model year

May 2, 2002

Floor Pan, Rear
Figure SPL-220



ITEM	PART NUMBER	QTY	LINE	BODY	DESCRIPTION
1	#5013 070AD	1			PAN, Floor
2	4888 865AA	1			SILENCER, Floor Pan, Under Rear Seat, Rear
3	5014 458AD	1			CROSSMEMBER, Rear Floor
4	4783 361	2			CROSSMEMBER, Rear Suspension Outer
	4783 316AC	1			Center
5	5013 128AC	1			RAIL, Rear Floor Pan Side Right
	5013 129AC	1			Left
6	4888 610AB	1			REINFORCEMENT, Bumper Rear Side Rail, Right
	4888 611AB	1			Rear Side Rail, Left
7	4783 612AC	1			BRACKET, Exhaust Hanger Side Rail, Right,Rear
	4783 613	1			Side Rail, Left,Rear
8	4783 615AC	1			BRACKET, Exhaust Hanger, Side Rail, Front,Mounting
9	4278 178	2			TAPE, Hole Cover, 50x50x1 mm Body Side Sill Inner Panel
		16			Slot Cover Rear Rail
10	4888 915AB	1			BRACKET, Towing
-11	6502 337	4			NUT, M10x1.5, Toe Bracket Attaching
12	4888 547AB	1			BRACKET, Spare Tire, Spare Wheel Anchor Bolt
13					REINFORCEMENT, Floor Pan, Serviced With 5027377AB , (NOT SERVICED)
14	4645 939AA	2			RETAINER, Seat Cushion

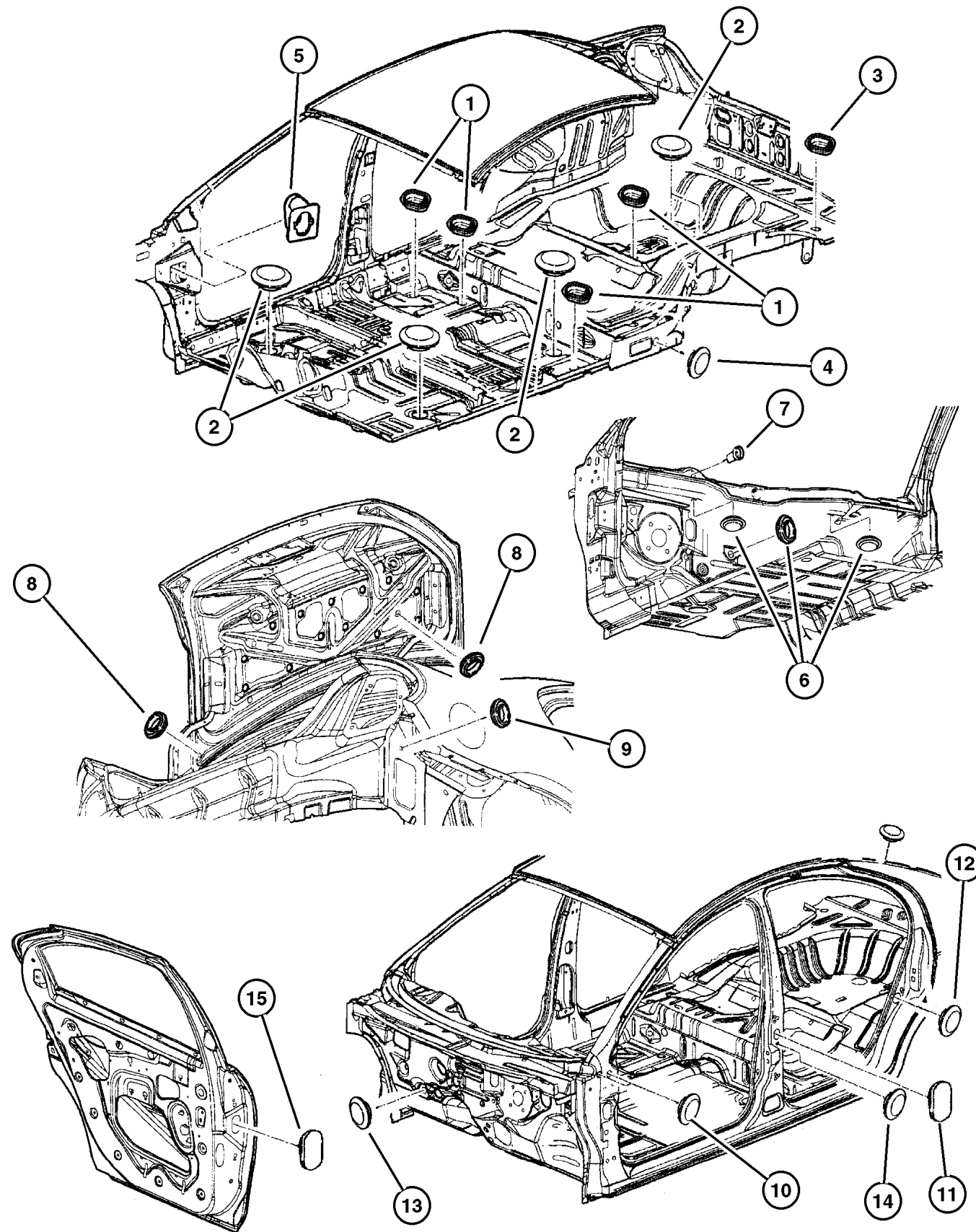
DODGE - CHRYSLER NEON (PL)

SERIES	LINE	BODY	ENGINE	TRANSMISSION
L=Low Line	Z=Chrysler, RHD	41 = 4 Door,	ECB,EC0=2.0L 4 Cyl., 16V SMPI	DD5=5 Speed Manual
H=High Line	D=Dodge	104WB	ECH,EC0=2.0L 4 Cyl, 16V SOHC	DGC=3 Speed Automatic
	D=Chrysler		EJD,EJ0=1.6L 4 Cyl 16V, SOHC	DGL=4 Speed Automatic
	P=Plymouth		EBD,EB0=1.8L 4 Cyl 16V SEF	DG0=All Automatics
				DBB=All 5 Speed Manual

AR = Use as required - = Non illustrated part # = New this model year

May 2, 2002

Plugs Figure SPL-310



ITEM	PART NUMBER	QTY	LINE	BODY	DESCRIPTION
1					PLUG, Floor Pan
	4586 055	3			Front
		2			Rear
2					PLUG, Top Seal
	5008 404AA	3			Front,Floor
		2			Rear,Floor
3	4586 055	3			PLUG, Floor Pan, Rear,Floor
4	4860 911AA	2			PLUG, Rear,Side
5					PLUG, Cowl Side
	4888 550	1			Right
	4888 551	1			Left
6	5255 216	2			PLUG, Body, .875 Diameter
7	5008 012AA	1			ISOLATOR, Cowl Top
8	6029 939	2			PLUG, Body, .50 Diameter, Panel Deck Lid, Inner
9	4674 441	2			PLUG, Body, .75 Diameter, Ext Gage Hole
10	4780 194	2			PLUG, Front Hinge Pillar
11	4696 467	2	D, P		PLUG, Body Side Aperture
12	4440 294	2			PLUG, Rear Fascia, Body Side Aperature Gage Slot
13	5264 670	1	D, P		PLUG, Dash Panel, Drain Hole
14	4860 223	2			PLUG, Shock Tower Hole, B-Pillar Gage Slot
15	4661 215	2			PLUG, Body, Rear,Door
-16	6029 057	1			PLUG, Body, 1.655 Diameter, Round Push-In , Rail Reinforcement Left Engine Mount
-17	2860 332	1			PLUG, Anti-Rattle, Radio Antenna Cable Hole
-18	2811 825	1			PLUG, Splash Shield, Accessory Pulley Splash Shield

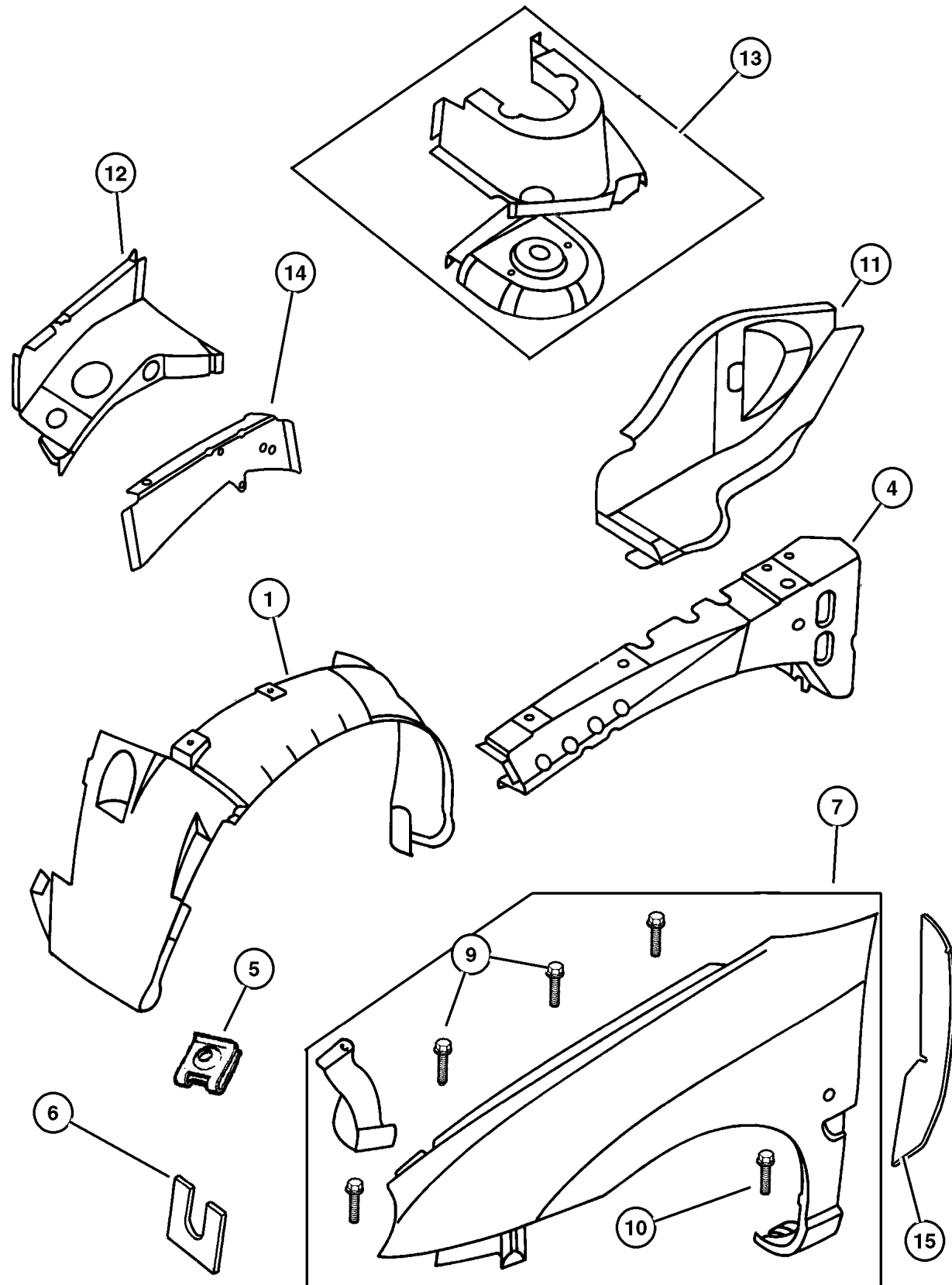
DODGE - CHRYSLER NEON (PL)

SERIES	LINE	BODY	ENGINE	TRANSMISSION
L=Low Line	Z=Chrysler, RHD	41 = 4 Door,	ECB,EC0=2.0L 4 Cyl., 16V SMPI	DD5=5 Speed Manual
H=High Line	D=Dodge	104WB	ECH,EC0=2.0L 4 Cyl, 16V SOHC	DGC=3 Speed Automatic
	D=Chrysler		EJD,EJ0=1.6L 4 Cyl 16V, SOHC	DGL=4 Speed Automatic
	P=Plymouth		EBD,EB0=1.8L 4 Cyl 16V SEF	DG0=All Automatics
				DBB=All 5 Speed Manual

AR = Use as required - = Non illustrated part # = New this model year

May 2, 2002

Front Fender Figure SPL-410



ITEM	PART NUMBER	QTY	LINE	BODY	DESCRIPTION
1					SHIELD, Wheelhouse
	5008 070AC	1			Right,Rear
	5008 071AC	1			Left,Rear
	5008 094AC	1			Right,Front
	5008 095AC	1			Left,Front
-2					BRACKET, Fender Side Shield
	5008 318AB	1			To Fascia Stud Plate, Right
	5008 319AB	1			To Fascia Stud Plate, Left
-3	6030 441	2			PIN, Retainer
4					BEAM, Upper Load Path
	5008 380AC	1			Right
	5008 381AC	1			Left
5					U-NUT, M6 x 1.00, M6x1.00
	6501 703	2			Fender To Body Side Aperature Attaching
		2			Support Front Hinge Pillar
		2			Front Upper Load, Fender
6	4783 805	AR			SHIM, Fender, Load Beam To Fender
7					FENDER, Front
	5012 670AC	1			Right
	5012 671AC	1			Left
	5012 672AC	1			European - LHD, Right
	5012 673AC	1			European - LHD, Left
	5012 674AC	1			European - RHD, Right
	5012 675AC	1			European - RHD, Left
-8	5008 026AA	2			BRACKET, Fender, Fender To Front Upper Load Beam, Right & Left
9	6506 348AA	4			SCREW AND WASHER, Hex Head, M6x1x25, Fender Attaching
10	6035 155	4			SCREW, Hex Head, .25-14x.875, Fender To Hinge Pillar Attaching
11	5008 389AB	1			SHIELD, Accessory Drive, Pulley Splash, Side Rail, Front
12					PANEL, Fender Side Shield
	4783 302AB	1			Right
	4783 303AB	1			Left
13					PANEL, Front Strut Mounting
	5012 736AG	1			Right
	5012 737AG	1			Left
14					EXTENSION, Front Fender Side Shield
	5008 056AD	1			Right
	5008 057AD	1			Left
15					SEAL, Fender Blocker
	5008 294AA	1			Right
	5008 295AA	1			Left

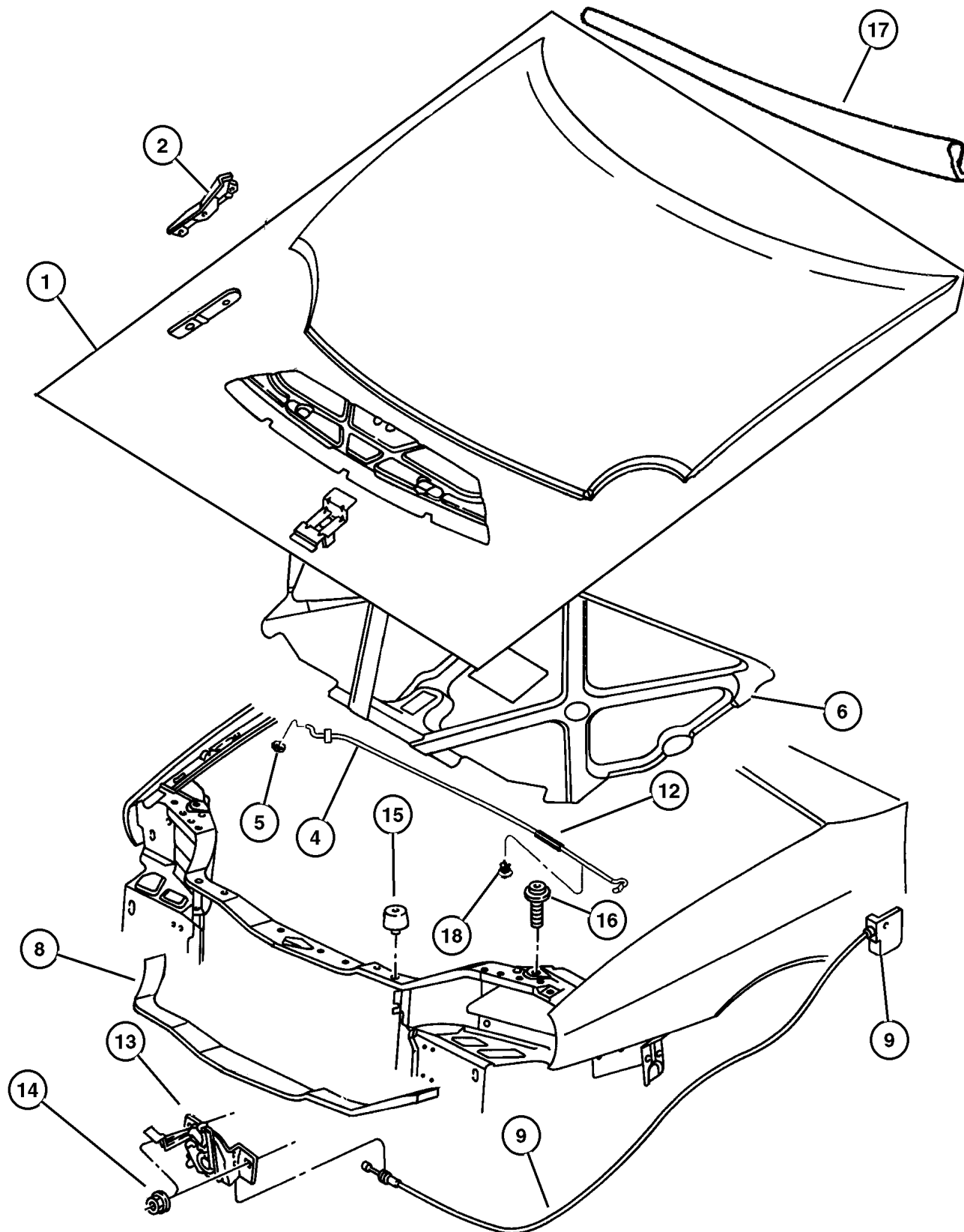
DODGE - CHRYSLER NEON (PL)

SERIES	LINE	BODY	ENGINE	TRANSMISSION
L=Low Line	Z=Chrysler, RHD	41 = 4 Door,	ECB,EC0=2.0L 4 Cyl., 16V SMPI	DD5=5 Speed Manual
H=High Line	D=Dodge	104WB	ECH,EC0=2.0L 4 Cyl, 16V SOHC	DGC=3 Speed Automatic
	D=Chrysler		EJD,EJ0=1.6L 4 Cyl 16V, SOHC	DGL=4 Speed Automatic
	P=Plymouth		EBD,EB0=1.8L 4 Cyl 16V SEF	DG0=All Automatics
				DBB=All 5 Speed Manual

AR = Use as required - = Non illustrated part # = New this model year

May 2, 2002

Hood and Hood Release Figure SPL-510



ITEM	PART NUMBER	QTY	LINE	BODY	DESCRIPTION
1	5012 442AC	1			HOOD
2	4783 878AE	1			HINGE, Hood Right
	4783 879AE	1			Left
-3	6506 348AA	4			SCREW AND WASHER, Hex Head, M6x1x25
4	#5008 554AA	1			PROP, Hood
5	6036 083AA	1			CLIP, Prop Rod
6	5008 553AA	1			SILENCER, Hood
-7	4341 060	14			FASTENER, Hood Silencer
8	4724 464AA	1			WEATHERSTRIP, Hood to Radiator
9					RELEASE, Hood Latch
	4783 804	1	Z		Cable
	#5008 604AB	1	D, P		Cable
-10	6102 059AA	2			SCREW, Hood Release Attaching
-11					GROMMET, Hood Latch Release
	5207 294	1	Z		
		1	D, P		
12	5008 284AA	1			ISOLATOR, Hood Prop Rod
13	4615 516AB	1			LATCH, Hood
14	6503 102	2			NUT AND WASHER, Hex Nut-Coned Washer, M6 x 1.00, To Radiator Support, Hood Latch
15	5008 340AB	1			BUMPER, Crossmember To Hood Stop
16	4103 165	2			BUMPER, Hood
17	4783 658	1			WEATHERSTRIP, Cowl Plenum to Hood
18	4888 913AA	1			BUSHING, Hood Prop Rod Pivot

DODGE - CHRYSLER NEON (PL)

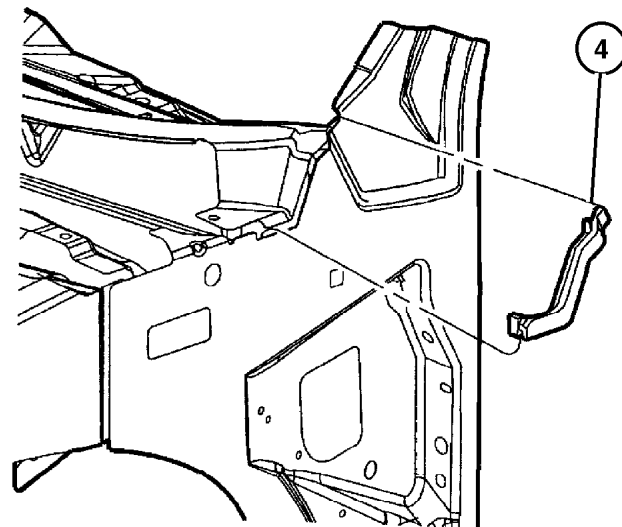
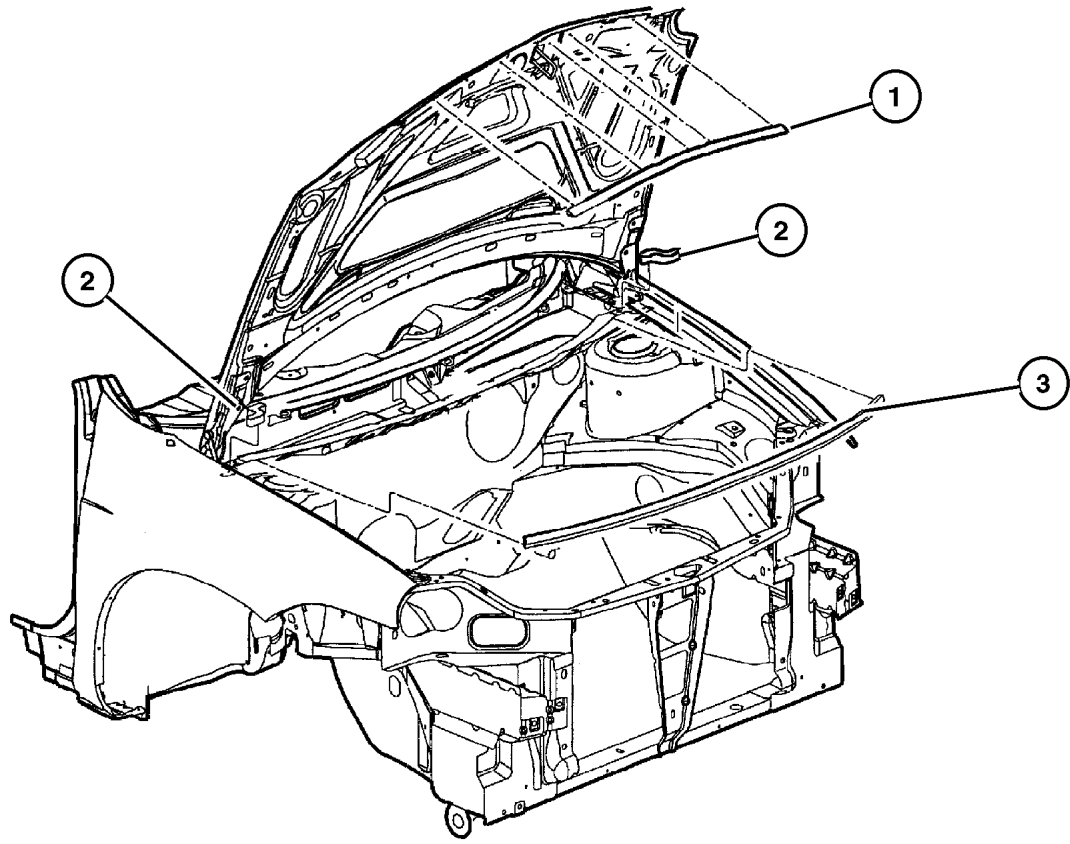
SERIES	LINE	BODY	ENGINE	TRANSMISSION
L=Low Line	Z=Chrysler, RHD	41 = 4 Door,	ECB,EC0=2.0L 4 Cyl., 16V SMPI	DD5=5 Speed Manual
H=High Line	D=Dodge	104WB	ECH,EC0=2.0L 4 Cyl, 16V SOHC	DGC=3 Speed Automatic
	D=Chrysler		EJD,EJ0=1.6L 4 Cyl 16V, SOHC	DGL=4 Speed Automatic
	P=Plymouth		EBD,EB0=1.8L 4 Cyl 16V SEF	DG0=All Automatics
				DBB=All 5 Speed Manual

AR = Use as required - = Non illustrated part # = New this model year

May 2, 2002

**Seal and Weather Strips (Hood)
Figure SPL-520**

ITEM	PART NUMBER	QTY	LINE	BODY	DESCRIPTION
1	4724 464AA	1			WEATHERSTRIP, Hood to Radiator
2	5008 136AB	1			SEAL, Fender to Hood Right
	5008 137AB	1			Left
3	4783 658	1			WEATHERSTRIP, Cowl Plenum to Hood
4					BAFFLE, Fender, Cowl Side To Cowl Top, (NOT SERVICED)

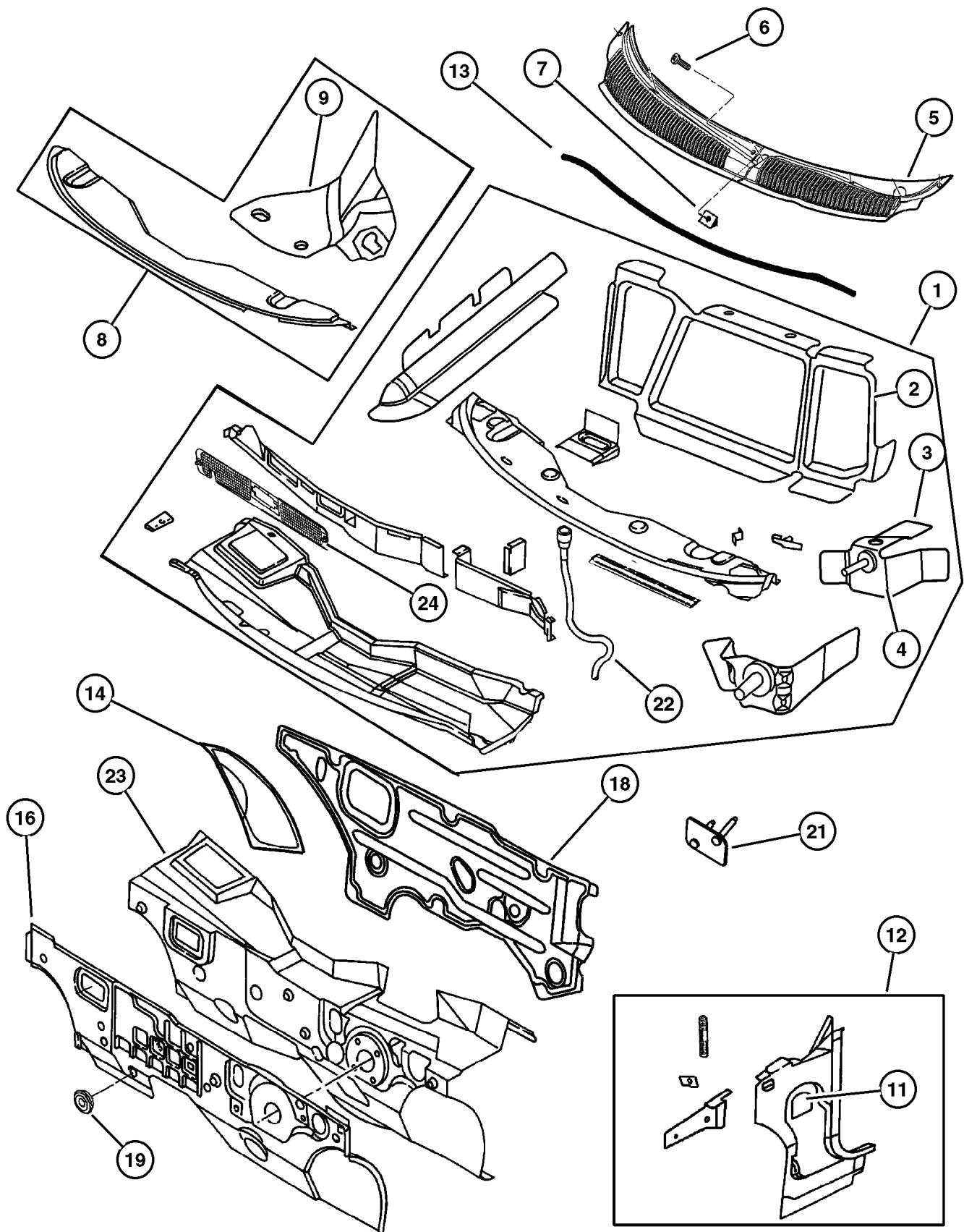


DODGE - CHRYSLER NEON (PL)				
SERIES	LINE	BODY	ENGINE	TRANSMISSION
L=Low Line	Z=Chrysler, RHD	41 = 4 Door,	ECB,EC0=2.0L 4 Cyl., 16V SMPI	DD5=5 Speed Manual
H=High Line	D=Dodge	104WB	ECH,EC0=2.0L 4 Cyl, 16V SOHC	DGC=3 Speed Automatic
	D=Chrysler		EJD,EJ0=1.6L 4 Cyl 16V, SOHC	DGL=4 Speed Automatic
	P=Plymouth		EBD,EB0=1.8L 4 Cyl 16V SEF	DG0=All Automatics
				DBB=All 5 Speed Manual

AR = Use as required - = Non illustrated part # = New this model year

May 2, 2002

**Cowl and Dash Panel
Figure SPL-610**



ITEM	PART NUMBER	QTY	LINE	BODY	DESCRIPTION
1					PANEL, Plenum
	#5014 123AH	1			
	#5014 543AH	1	Z		
2					EXTENSION, Cowl Top, (NOT REQUIRED)
3	4783 770	1	Z		BRACKET, A/C to Cowl Plenum
4	4783 772	1	Z		BRACKET, Clutch Pedal
5					SCREEN, Cowl Top
	5008 271AD	1	D, P		
	5008 272AD	1	Z		
6	6036 163AA	5			SCREW, .19-16x1.00, Cowl Screen Attaching
7	4805 119AB	5			GROMMET, Cowl
8	5014 855AB	1			PANEL, Cowl Top
9					BRACKET, Wiper Motor
	5008 349AA	1	D, P		Left
	5008 352AA	1	Z		Right
-10	4278 178	2			TAPE, Hole Cover, 50x50x1 mm
11					PLUG, Cowl Side
	4888 550	1			Right
	4888 551	1			Left
12					PANEL, Cowl Side
	5014 672AD	1			Right
	5014 673AD	1			Left
13	4783 658	1			WEATHERSTRIP, Cowl Plenum to Hood
14					PANEL, Dash Panel Wheelhouse
	4888 886AA	1			Right
	4888 887AA	1			Left
-15					SILENCER, Plenum And Dash Panel
	#5008 557AB	1	D, P		
	4783 927AD	1	Z		
16					PANEL, Dash
	5008 341AA	1	Z		
	#5014 417AD	1			
-17					PAD, Dash Panel
	4888 918AA	1	D, P		Lower,Right
	4888 919AA	1	D, P		Lower,Left
	4888 921AA	1	Z		Lower,Left
18					PANEL, Dash Upper
	4888 882AA	1	D, P		
	4888 892AA	1	Z		
19	5264 670	1	D, P		PLUG, Dash Panel
-20					STUD, Weld, M5x1.60x14
	6503 273	8			Cowl Pleum To Dash Panel
		8			Fuel & Brake Line To Dash Panel

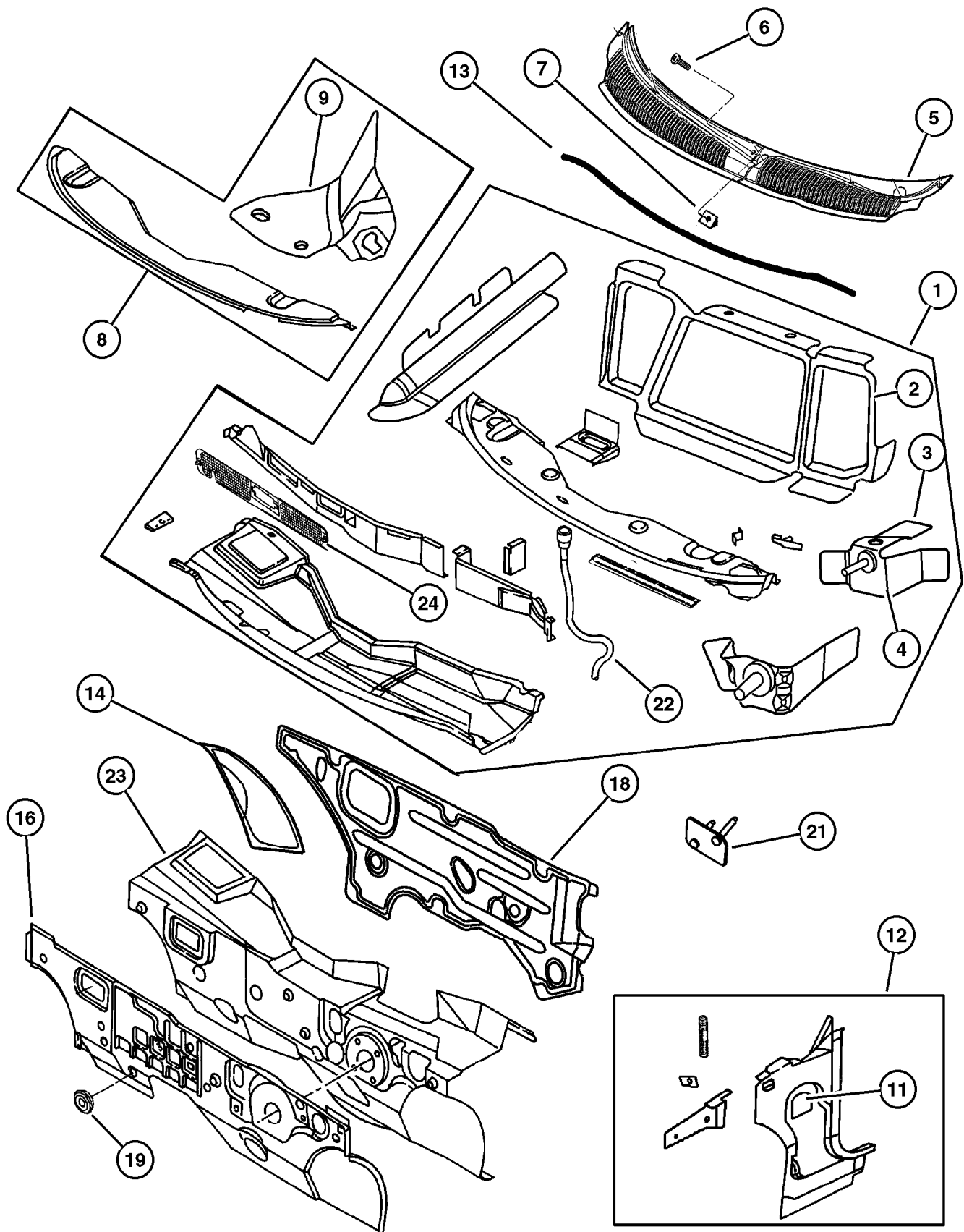
DODGE - CHRYSLER NEON (PL)

SERIES	LINE	BODY	ENGINE	TRANSMISSION
L=Low Line	Z=Chrysler, RHD	41 = 4 Door,	ECB,EC0=2.0L 4 Cyl., 16V SMPI	DD5=5 Speed Manual
H=High Line	D=Dodge	104WB	ECH,EC0=2.0L 4 Cyl, 16V SOHC	DGC=3 Speed Automatic
	D=Chrysler		EJD,EJ0=1.6L 4 Cyl 16V, SOHC	DGL=4 Speed Automatic
	P=Plymouth		EBD,EB0=1.8L 4 Cyl 16V SEF	DG0=All Automatics
				DBB=All 5 Speed Manual

AR = Use as required - = Non illustrated part # = New this model year

May 2, 2002

Cowl and Dash Panel Figure SPL-610



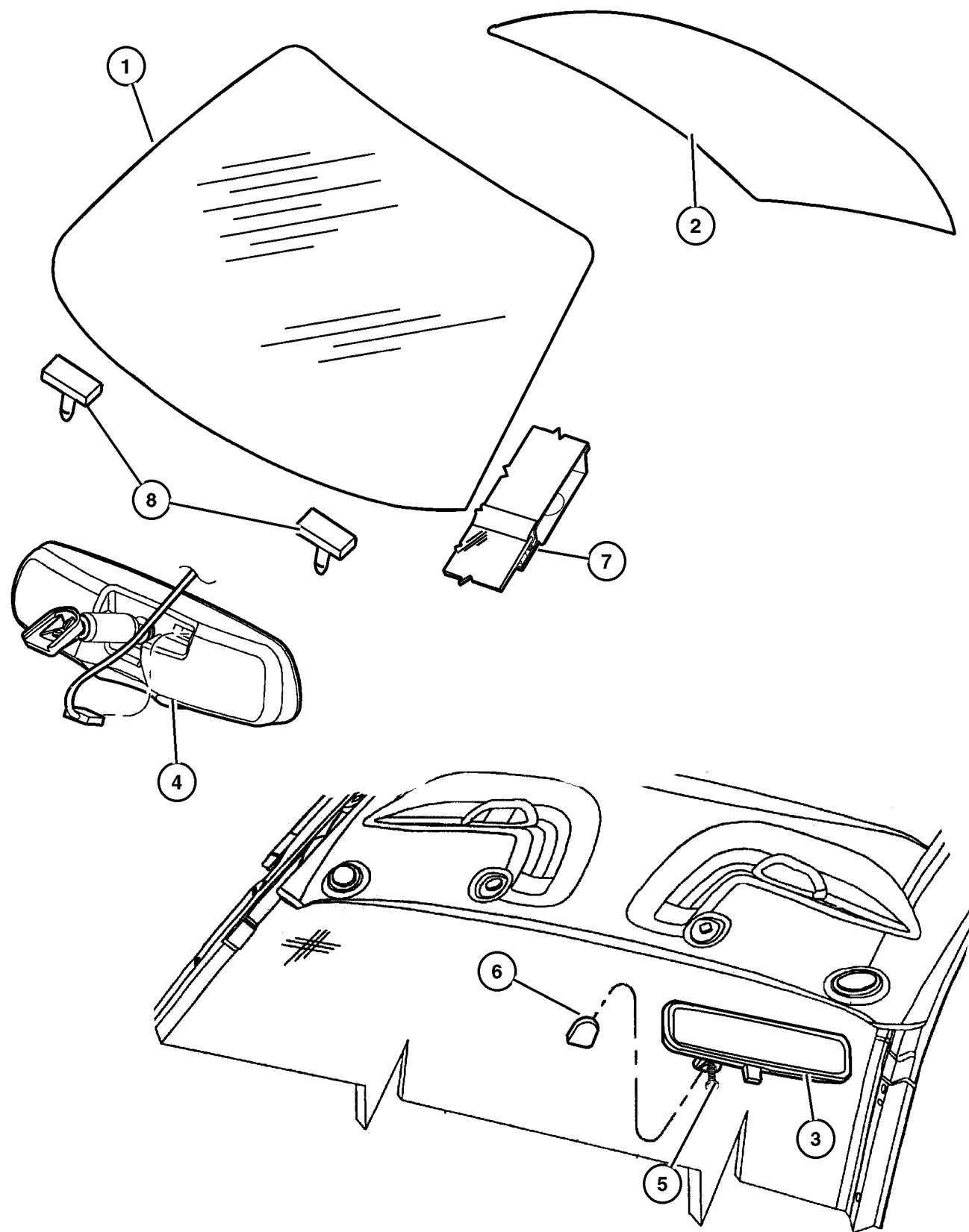
ITEM	PART NUMBER	QTY	LINE	BODY	DESCRIPTION
21	4888 812AA	1	D, P		PLATE, Accelerator Pedal Attach
22	5264 688	1			TUBE, Drain
23					SILENCER, Plenum And Dash Panel, (NOT SERVICED)
24					SCREEN, Cowl Plenum
	5291 554AA	1			Prevents Debris Into Hvac Blower Wheel, Right
	5291 555AA	1			Prevents Debris Into Hvac Blower Wheel, Left

DODGE - CHRYSLER NEON (PL)				
SERIES	LINE	BODY	ENGINE	TRANSMISSION
L=Low Line	Z=Chrysler, RHD	41 = 4 Door,	ECB,EC0=2.0L 4 Cyl., 16V SMPI	DD5=5 Speed Manual
H=High Line	D=Dodge	104WB	ECH,EC0=2.0L 4 Cyl, 16V SOHC	DGC=3 Speed Automatic
	D=Chrysler		EJD,EJ0=1.6L 4 Cyl 16V, SOHC	DGL=4 Speed Automatic
	P=Plymouth		EBD,EB0=1.8L 4 Cyl 16V SEF	DG0=All Automatics
				DBB=All 5 Speed Manual

AR = Use as required - = Non illustrated part # = New this model year

May 2, 2002

Windshield, Backlite and Mirror Figure SPL-710



ITEM	PART NUMBER	QTY	LINE	BODY	DESCRIPTION
1	4783 824AC	1			WINDSHIELD, Tinted
2	5008 049AC	1			BACKLITE, Electric Heated, Tinted
3	4805 332AB	1			MIRROR, Inside Rear View
4	#5008 589AB	1			MIRROR, Inside Rear View, Lighted
5					SCREW, Pan Head Tapping, .19-16x.375, Serviced With Mirror (Inside) , (NOT REQUIRED)
6	5507 6401	1			BUTTON, Rear View Mirror
7					SPACER
	4278 662	9			Backlite
					Windshield
8	5008 025AB	2			RETAINER, Windshield
-9	5014 559AD	1			WINDSHIELD, Shipping Assembly - 30 Lite Glass

DODGE - CHRYSLER NEON (PL)

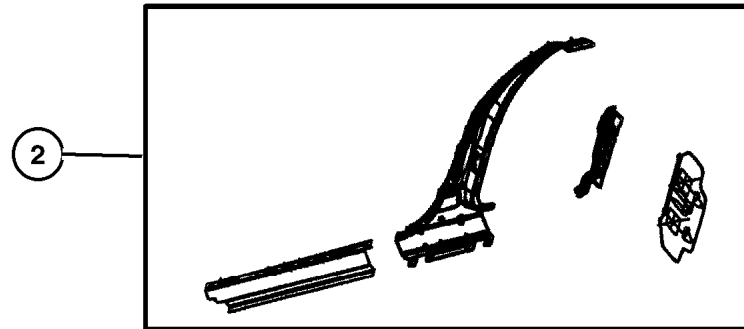
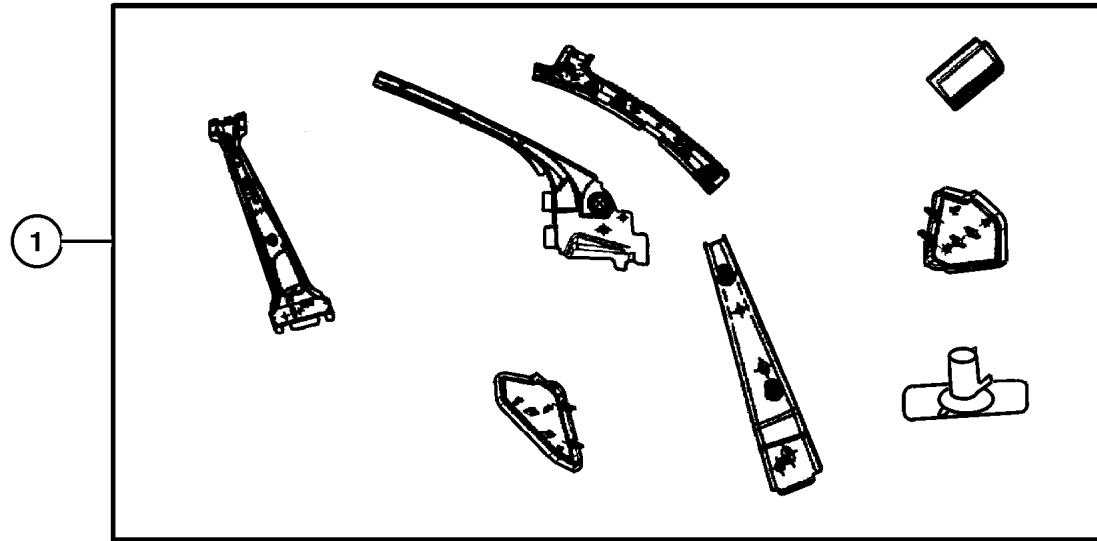
SERIES	LINE	BODY	ENGINE	TRANSMISSION
L=Low Line	Z=Chrysler, RHD	41 = 4 Door,	ECB,EC0=2.0L 4 Cyl., 16V SMPI	DD5=5 Speed Manual
H=High Line	D=Dodge	104WB	ECH,EC0=2.0L 4 Cyl, 16V SOHC	DGC=3 Speed Automatic
	D=Chrysler		EJD,EJ0=1.6L 4 Cyl 16V, SOHC	DGL=4 Speed Automatic
	P=Plymouth		EBD,EB0=1.8L 4 Cyl 16V SEF	DG0=All Automatics
				DBB=All 5 Speed Manual

AR = Use as required - = Non illustrated part # = New this model year

May 2, 2002

**Aperture Panels - Packages (4-Door)
Figure SPL-810**

ITEM	PART NUMBER	QTY	LINE	BODY	DESCRIPTION
1					PANEL, Body Side Aperture Inner
	#5012 848AG	1			Right
	#5012 849AG	1			Left
2					REINFORCEMENT, Body Side Aperture
	5014 680AE	1			Right
	5014 681AE	1			Left

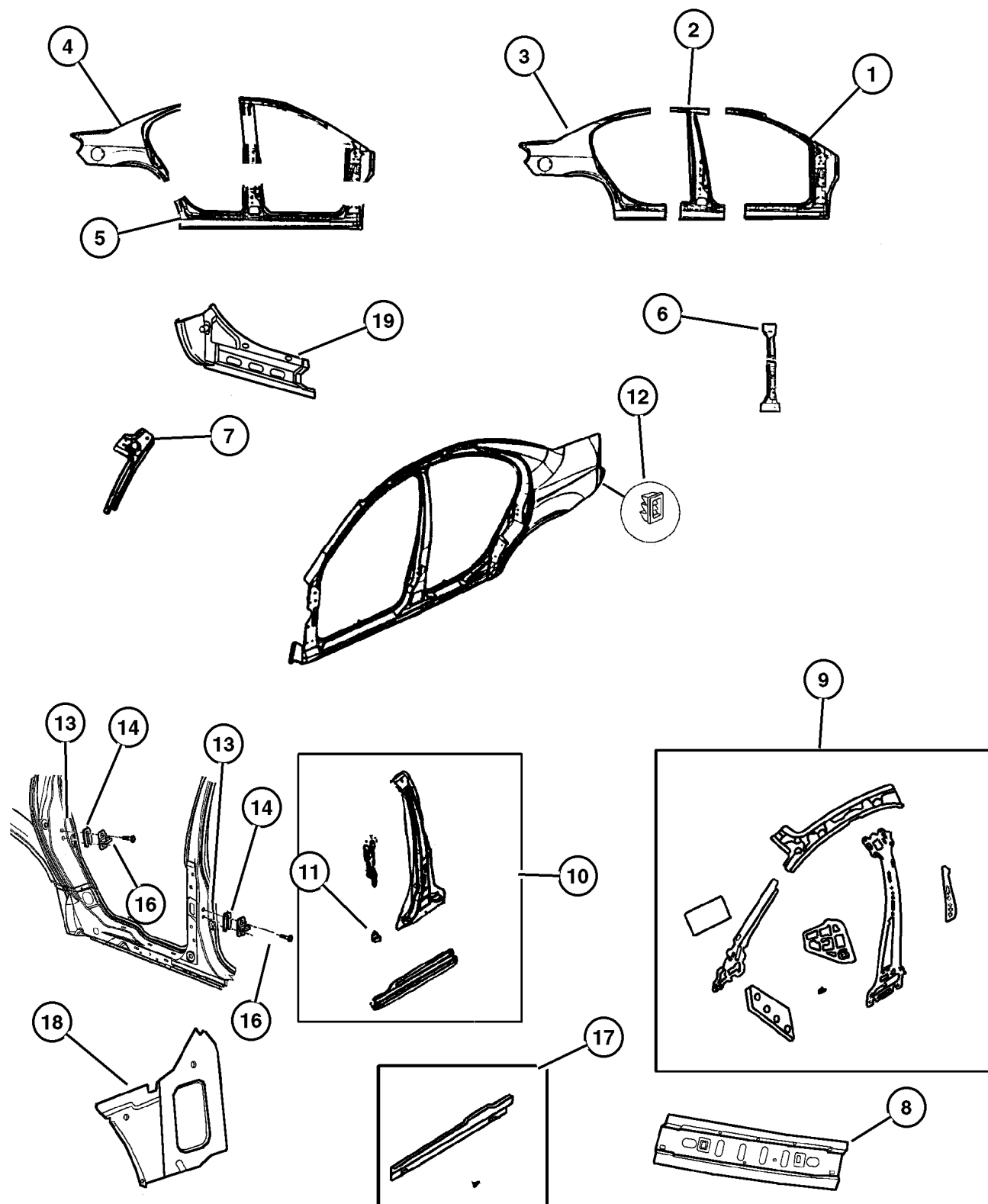


DODGE - CHRYSLER NEON (PL)				
SERIES	LINE	BODY	ENGINE	TRANSMISSION
L=Low Line	Z=Chrysler, RHD	41 = 4 Door,	ECB,EC0=2.0L 4 Cyl., 16V SMPI	DD5=5 Speed Manual
H=High Line	D=Dodge	104WB	ECH,EC0=2.0L 4 Cyl, 16V SOHC	DGC=3 Speed Automatic
	D=Chrysler		EJD,EJ0=1.6L 4 Cyl 16V, SOHC	DGL=4 Speed Automatic
	P=Plymouth		EBD,EB0=1.8L 4 Cyl 16V SEF	DG0=All Automatics
				DBB=All 5 Speed Manual

AR = Use as required - = Non illustrated part # = New this model year

May 2, 2002

Aperture Panels - 4 Door Figure SPL-820



ITEM	PART NUMBER	QTY	LINE	BODY	DESCRIPTION
NOTE: Please Note That When Item's 1-2-3-4-5-6 Are Exhausted They Will Supercede To 2002 Parts (ILL 820-2002) Which Are Constructed Differently (Complete Assemblies) and (2-Pcs. Panels).					
1	#5066 318AA	1			PANEL PACKAGE, Body Side Aperture Front, See Note Right
	#5066 319AA	1			Left
2	#5066 320AA	1			PANEL PACKAGE, Body Side Aperture Center, See Note Right
	#5066 321AA	1			Left
3					PANEL PACKAGE, Body Side Aperture Rear, See Note - With Rocker Sill
	#5066 322AA	1			Right
	#5066 323AA	1			Left
4					PANEL PACKAGE, Body Side Aperture Rear, See Note - Without Rocker Sill
	#5066 326AA	1			Right
	#5066 327AA	1			Left
5					PANEL PACKAGE, Sill, See Note
	#5012 862AJ	1			Right
	#5012 863AJ	1			Left
6					REINFORCEMENT, Body Side Aperture, See Note
	#5066 268AA	1			Right
	#5066 269AA	1			Left
7					FRAME, Windshield Side
	4783 962	1			Right,Side
	4783 963	1			Left,Side
8	4783 984AC	1			FRAME, Windshield, Opening - Upper
9					PANEL, Body Side Aperture Inner
	#5012 848AG	1			Right
	#5012 849AG	1			Left
10					REINFORCEMENT, Body Side Aperture
	#5066 268AA	1			Right
	#5066 269AA	1			Left
11	4783 931	2			RETAINER, Door Striker
12	5264 595AE	1			EXHAUSTER, A/C Air, Interior Trim Panel
13	4520 289	AR			SPACER, Door Latch Striker
14	4780 259	2			STRIKER, Door, Front and Rear
-15	4674 669	2			PLATE, Liftgate Striker, Body Front and Rear Door Striker
16	6503 120	4			SCREW AND WASHER, Button Head Torx, Button Head Torx, Door Latch Striker Attaching
17					SILL, Body Side
	#5018 972AA	1			Right
	#5018 973AA	1			Left
18					EXTENSION, Body Side Aperture

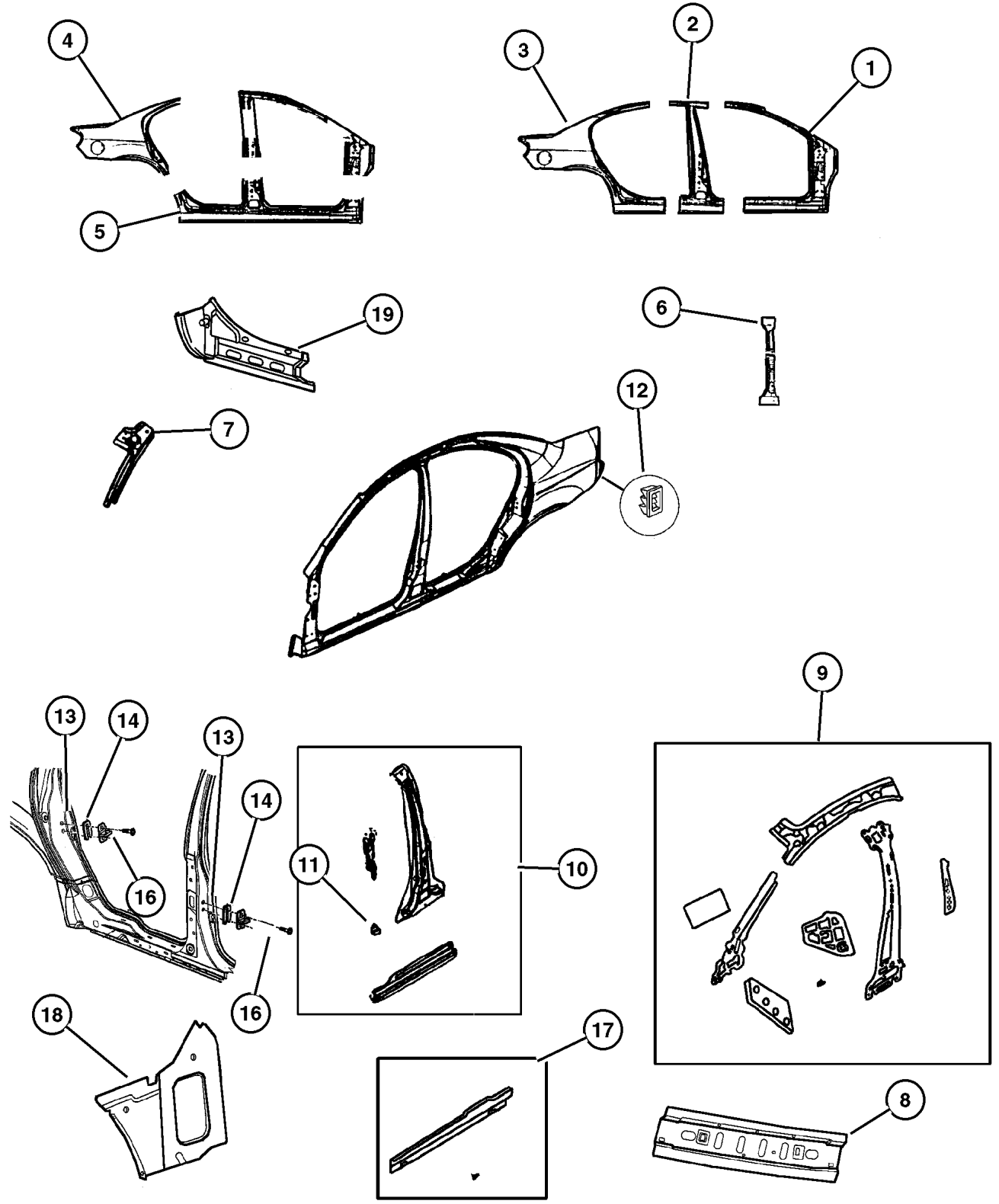
DODGE - CHRYSLER NEON (PL)

SERIES	LINE	BODY	ENGINE	TRANSMISSION
L=Low Line	Z=Chrysler, RHD	41 = 4 Door,	ECB,EC0=2.0L 4 Cyl., 16V SMPI	DD5=5 Speed Manual
H=High Line	D=Dodge	104WB	ECH,EC0=2.0L 4 Cyl, 16V SOHC	DGC=3 Speed Automatic
	D=Chrysler		EJD,EJ0=1.6L 4 Cyl 16V, SOHC	DGL=4 Speed Automatic
	P=Plymouth		EBD,EB0=1.8L 4 Cyl 16V SEF	DG0=All Automatics
				DBB=All 5 Speed Manual

AR = Use as required - = Non illustrated part # = New this model year

May 2, 2002

Aperture Panels - 4 Door
Figure SPL-820



ITEM	PART NUMBER	QTY	LINE	BODY	DESCRIPTION
	4888 560AC	1			Right
	4888 561AC	1			Left
19					REINFORCEMENT, Body Side Aperture
	4888 934AD	1			Rear Jack, Right,Left
	4888 935AD	1			Rear Jack

DODGE - CHRYSLER NEON (PL)

SERIES	LINE	BODY	ENGINE	TRANSMISSION
L=Low Line	Z=Chrysler, RHD	41 = 4 Door,	ECB,EC0=2.0L 4 Cyl., 16V SMPI	DD5=5 Speed Manual
H=High Line	D=Dodge	104WB	ECH,EC0=2.0L 4 Cyl, 16V SOHC	DGC=3 Speed Automatic
	D=Chrysler		EJD,EJ0=1.6L 4 Cyl 16V, SOHC	DGL=4 Speed Automatic
	P=Plymouth		EBD,EB0=1.8L 4 Cyl 16V SEF	DG0=All Automatics
				DBB=All 5 Speed Manual

AR = Use as required - = Non illustrated part # = New this model year

May 2, 2002

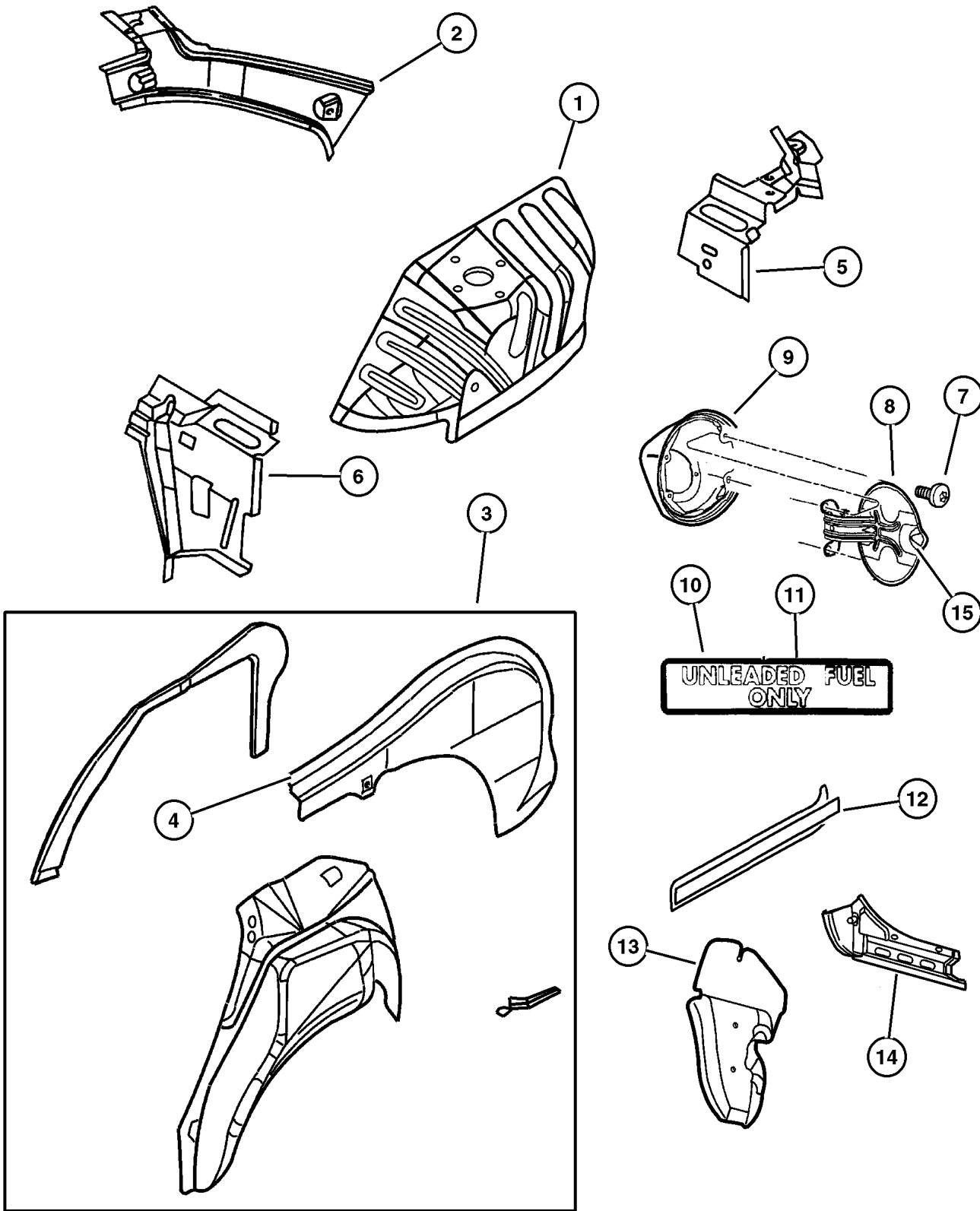
Quarter Panel
Figure SPL-910

ITEM	PART NUMBER	QTY	LINE	BODY	DESCRIPTION
Note: Quarter Panel Outer Is Part Of The Aperature - See ILL. 820 Iete Assemblies) and (2-Pcs. Panels).					
1	5014 440AC	1			PANEL, Rear Wheelhouse Right
	5014 441AC	1			Left
2					PANEL, Quarter Inner Right
	4783 980AD	1			Left
3					PANEL, Quarter Inner Right
	5014 734AD	1			Left
4					EXTENSION, Quarter Inner Lower Right
	5008 096AB	1			Left
5					EXTENSION, Shelf Panel Right
	4783 852AD	1			Left
6					SUPPORT, Rear Shelf Panel Right
	4783 322AC	1			Left
7	6503 318	2			SCREW, Pan Head Tapping, M6x1x11, Fuel Filler Door Attaching
8	4888 942AA	1			DOOR, Fuel Fill
9	4783 925	1			HOUSING, Fuel Filler
10	4696 849	1			LABEL, Unleaded Fuel Only Canada, (French)
	#55137 352AA	1			Australia Equipment Group
11	4853 321AA	1			LABEL, Fuel, Spanish
12	4278 178	2			TAPE, Hole Cover, 50x50x1 mm, Quarter,Inner,Lower
13					SHIELD, Wheelhouse Right,Rear
	5008 070AC	1			Left,Rear
14					REINFORCEMENT, Body Side Aperture Rear Jack, Right
	4888 934AD	1			Rear Jack, Left
	4888 935AD	1			BUMPER, Fuel Door
	5256 863	2			

DODGE - CHRYSLER NEON (PL)				
SERIES	LINE	BODY	ENGINE	TRANSMISSION
L=Low Line	Z=Chrysler, RHD	41 = 4 Door,	ECB,EC0=2.0L 4 Cyl., 16V SMPI	DD5=5 Speed Manual
H=High Line	D=Dodge	104WB	ECH,EC0=2.0L 4 Cyl, 16V SOHC	DGC=3 Speed Automatic
	D=Chrysler		EJD,EJ0=1.6L 4 Cyl 16V, SOHC	DGL=4 Speed Automatic
	P=Plymouth		EBD,EB0=1.8L 4 Cyl 16V SEF	DG0=All Automatics
				DBB=All 5 Speed Manual

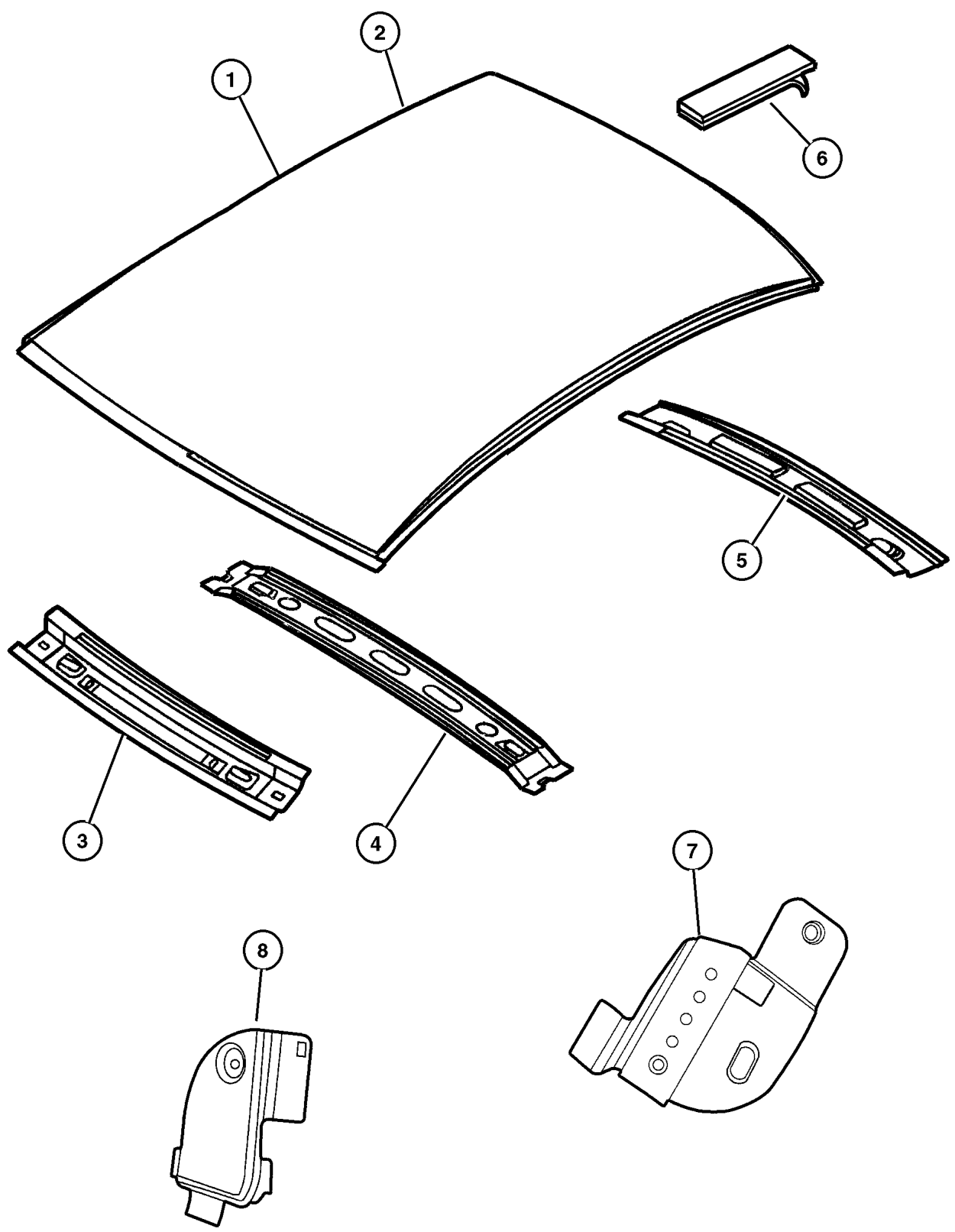
AR = Use as required - = Non illustrated part # = New this model year

May 2, 2002



Roof Panel
Figure SPL-1110

ITEM	PART NUMBER	QTY	LINE	BODY	DESCRIPTION
1	5008 588AB	1			ROOF
2	5008 567AD	1			PANEL AND REINFORCEMENT, Sunroof
3	4783 984AC	1			FRAME, Windshield
4	4888 615AB	1			BOW, Roof
5	4783 855	1			FRAME, Rear Window
6	4278 178	2			TAPE, Hole Cover, 50x50x1 mm
7					SUPPORT, Roof
	4888 850AC	1			Front Corner - Roof Panel Seal, Right
	4888 851AC	1			Front Corner - Roof Panel Seal, Left
8					SUPPORT, Roof
	4888 792AC	1			Roof Panel Seal, Right
	4888 793AC	1			Roof Panel Seal, Left



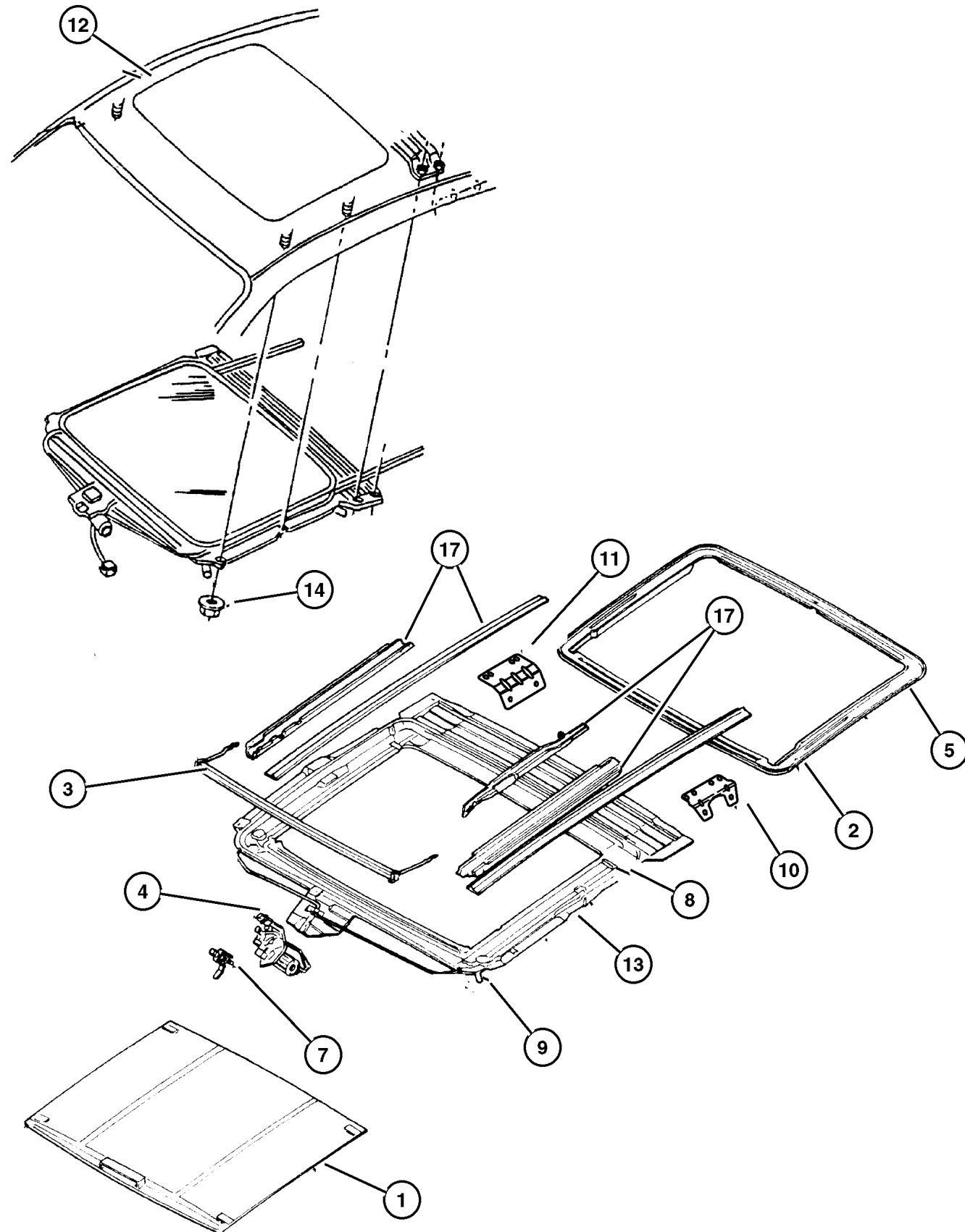
DODGE - CHRYSLER NEON (PL)				
SERIES	LINE	BODY	ENGINE	TRANSMISSION
L=Low Line	Z=Chrysler, RHD	41 = 4 Door,	ECB,EC0=2.0L 4 Cyl., 16V SMPI	DD5=5 Speed Manual
H=High Line	D=Dodge	104WB	ECH,EC0=2.0L 4 Cyl, 16V SOHC	DGC=3 Speed Automatic
	D=Chrysler		EJD,EJ0=1.6L 4 Cyl 16V, SOHC	DGL=4 Speed Automatic
	P=Plymouth		EBD,EB0=1.8L 4 Cyl 16V SEF	DG0=All Automatics
				DBB=All 5 Speed Manual

AR = Use as required - = Non illustrated part # = New this model year

May 2, 2002

Sunroof
Figure SPL-1210

ITEM	PART NUMBER	QTY	LINE	BODY	DESCRIPTION
1	5008 583AA	1			SUNSHADE, Sunroof
2	RZ79 TL2AA	1			WELT, Sunroof Opening, Taupe
3	5018 351AA	1			DEFLECTOR, Sunroof Wind
4	5008 582AA	1			MOTOR, Sunroof
5	5008 605AA	1			GLASS, Sunroof
-6	5008 322AA	4			GROMMET
7					LOCATOR, Sunroof Drive Cable, Drive Tube (Serviced With Item13), (NOT SERVICED)
8	5008 320AA	1			HOSE, Sunroof Drain, Front
9	5008 063AB	2			HOSE, Sunroof Drain, Rear
10					BRACKET, Sunroof Module to Roof Rail Rear, (NOT SERVICED)
11					BRACKET, Sunroof Module to Quarter Inner, (NOT SERVICED)
12					PANEL AND REINFORCEMENT, Sunroof, (NOT SERVICED)
13	5015 542AC	1			MODULE, Sunroof
14	6101 712	6			NUT, U, M6x1
-15	5008 606AA	1			CONTROL UNIT, Sunroof
-16	4681 344AB	1			SILENCER, Roof, Sun Roof Module
17					SUNROOF, Complete, (NOT SERVICED)



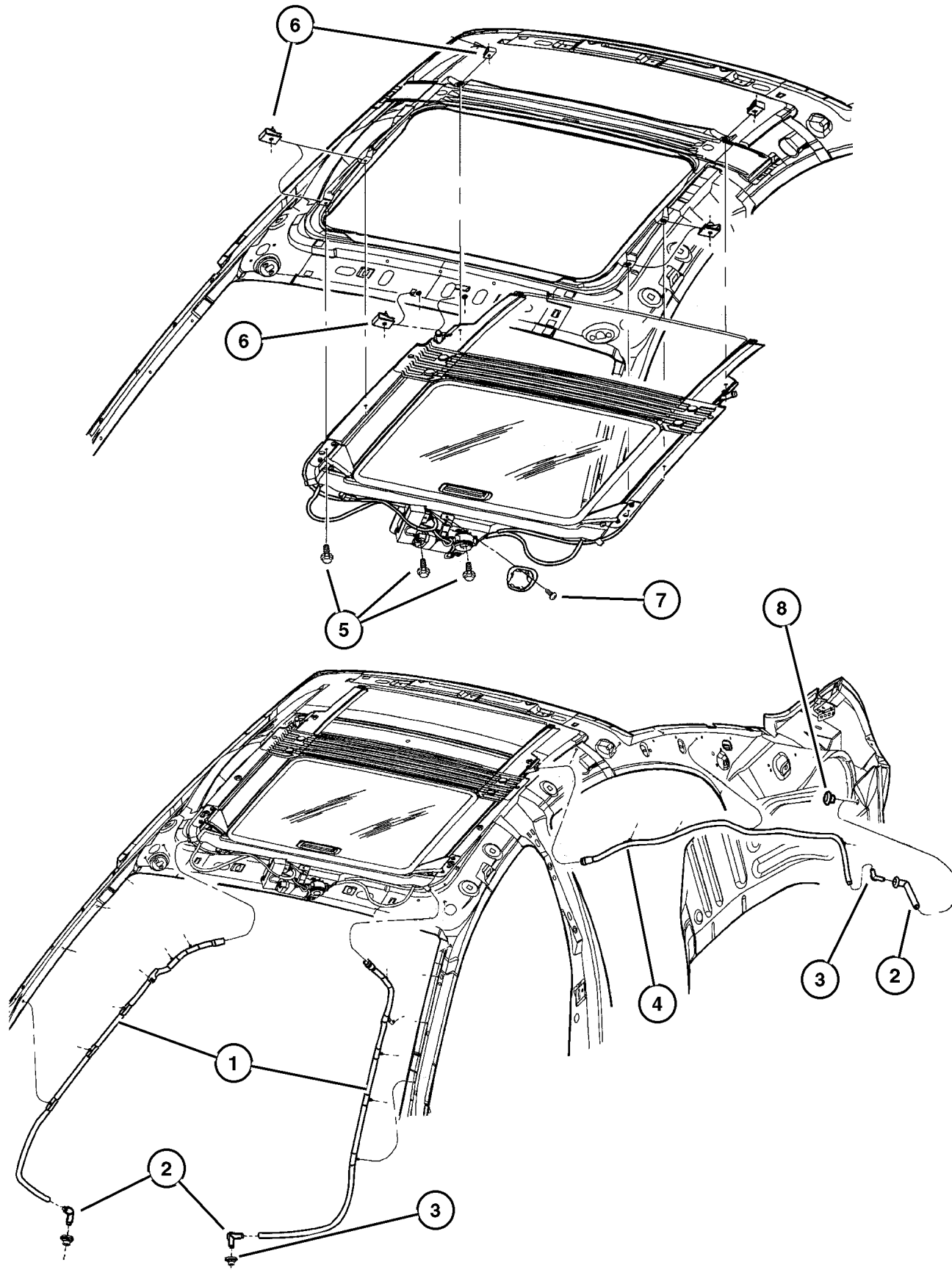
DODGE - CHRYSLER NEON (PL)				
SERIES	LINE	BODY	ENGINE	TRANSMISSION
L=Low Line	Z=Chrysler, RHD	41 = 4 Door,	ECB,EC0=2.0L 4 Cyl., 16V SMPI	DD5=5 Speed Manual
H=High Line	D=Dodge	104WB	ECH,EC0=2.0L 4 Cyl, 16V SOHC	DGC=3 Speed Automatic
	D=Chrysler		EJD,EJ0=1.6L 4 Cyl 16V, SOHC	DGL=4 Speed Automatic
	P=Plymouth		EBD,EB0=1.8L 4 Cyl 16V SEF	DG0=All Automatics
				DBB=All 5 Speed Manual

AR = Use as required - = Non illustrated part # = New this model year

May 2, 2002

Sunroof - Attaching Parts
Figure SPL-1215

ITEM	PART NUMBER	QTY	LINE	BODY	DESCRIPTION
1	5008 320AA	1			HOSE, Sunroof Drain, Right & Left,Front
2	5008 323AA	2			ELBOW, Hose Coupler, Drain Hose
3	5008 322AA	4			GROMMET, Drain Hose
4	5008 063AB	2			HOSE, Sunroof Drain, Rear
5	6101 719	8			SCREW AND WASHER, Tapping, M6-1.0x20.0, Module To Roof Reinforcement
6	6101 712	6			NUT, U, M6x1, Modulal To Reinforcement
7					SCREW, M4.2x1.70x15.00, (NOT SERVICED)
8	4674 441	2			PLUG, Body, .75 Diameter

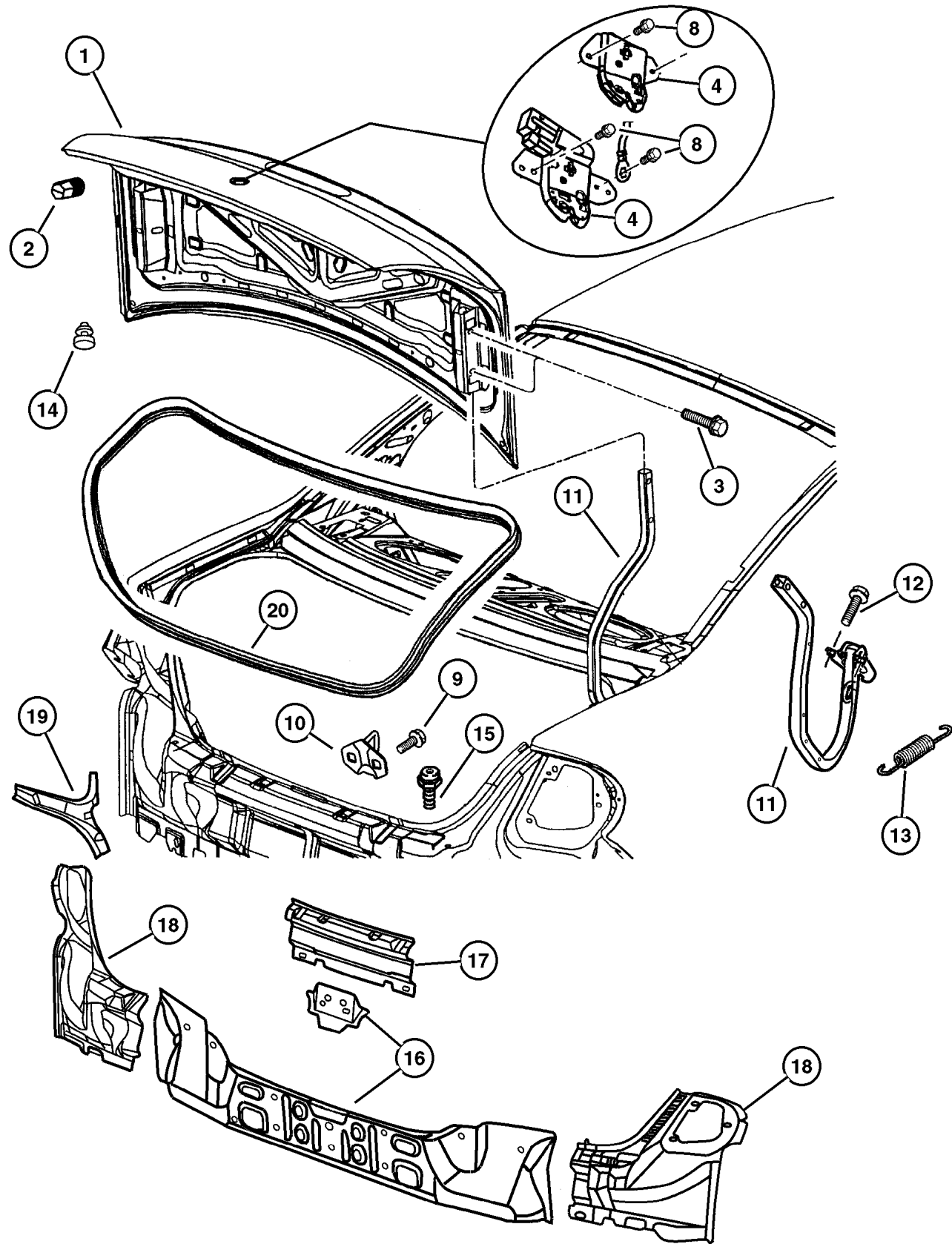


DODGE - CHRYSLER NEON (PL)				
SERIES	LINE	BODY	ENGINE	TRANSMISSION
L=Low Line	Z=Chrysler, RHD	41 = 4 Door,	ECB,EC0=2.0L 4 Cyl., 16V SMPI	DD5=5 Speed Manual
H=High Line	D=Dodge	104WB	ECH,EC0=2.0L 4 Cyl, 16V SOHC	DGC=3 Speed Automatic
	D=Chrysler		EJD,EJ0=1.6L 4 Cyl 16V, SOHC	DGL=4 Speed Automatic
	P=Plymouth		EBD,EB0=1.8L 4 Cyl 16V SEF	DG0=All Automatics
				DBB=All 5 Speed Manual

AR = Use as required - = Non illustrated part # = New this model year

May 2, 2002

Deck Lid
Figure SPL-1310



ITEM	PART NUMBER	QTY	LINE	BODY	DESCRIPTION
1	#5012 455AH	1			DECKLID
2	5008 374AB	2			BUMPER, Deck Lid Overslam
3	6102 151AA	4			SCREW, Hex Head, M6 x 1.00 x 40.00
4	#5008 640AB	1			LATCH, Decklid With Switch
	#5008 632AC	1			Power
-5	#5080 847AA	1			HANDLE, Glow In The Dark Emergency Release
-6	6503 794	1			CLIP, M6.3x11.2, Emergency Deck/Lid Latch
-7	#6506 926AA	1			FASTENER, Velcro Hook, Emergency Deck/Lid Latch
8	6101 777	10	D, P		SCREW, Hex Flange Head Tapping, M6x1.00x20.00
9	6502 925	2			SCREW AND WASHER, Hex Head, M6x1x21
10	5008 113AA	1			STRIKER, Decklid Latch
11					HINGE, Deck Lid
	4783 900AB	1			Right
	4783 901AB	1			Left
12	6101 718	2			SCREW AND WASHER, Oval Head, M6x1x25
13	5008 281AA	2			SPRING, Deck Lid Hinge
14	4783 903AB	2			BUMPER, Upstop
15	4103 165	2			BUMPER, Hood, Deck Lid
16	5014 462AA	1			REINFORCEMENT, Deck Opening Panel
17	4783 471	1			PANEL, Deck Lower Rear Closure
18					PANEL, Decklid Opening
	4783 476AB	1			Right
	4783 477AB	1			Left
19					REINFORCEMENT, Decklid Opening
	4783 478	1			Right
	4783 479	1			Left
20	4783 623AD	1			WEATHERSTRIP, Deck Lid

DODGE - CHRYSLER NEON (PL)

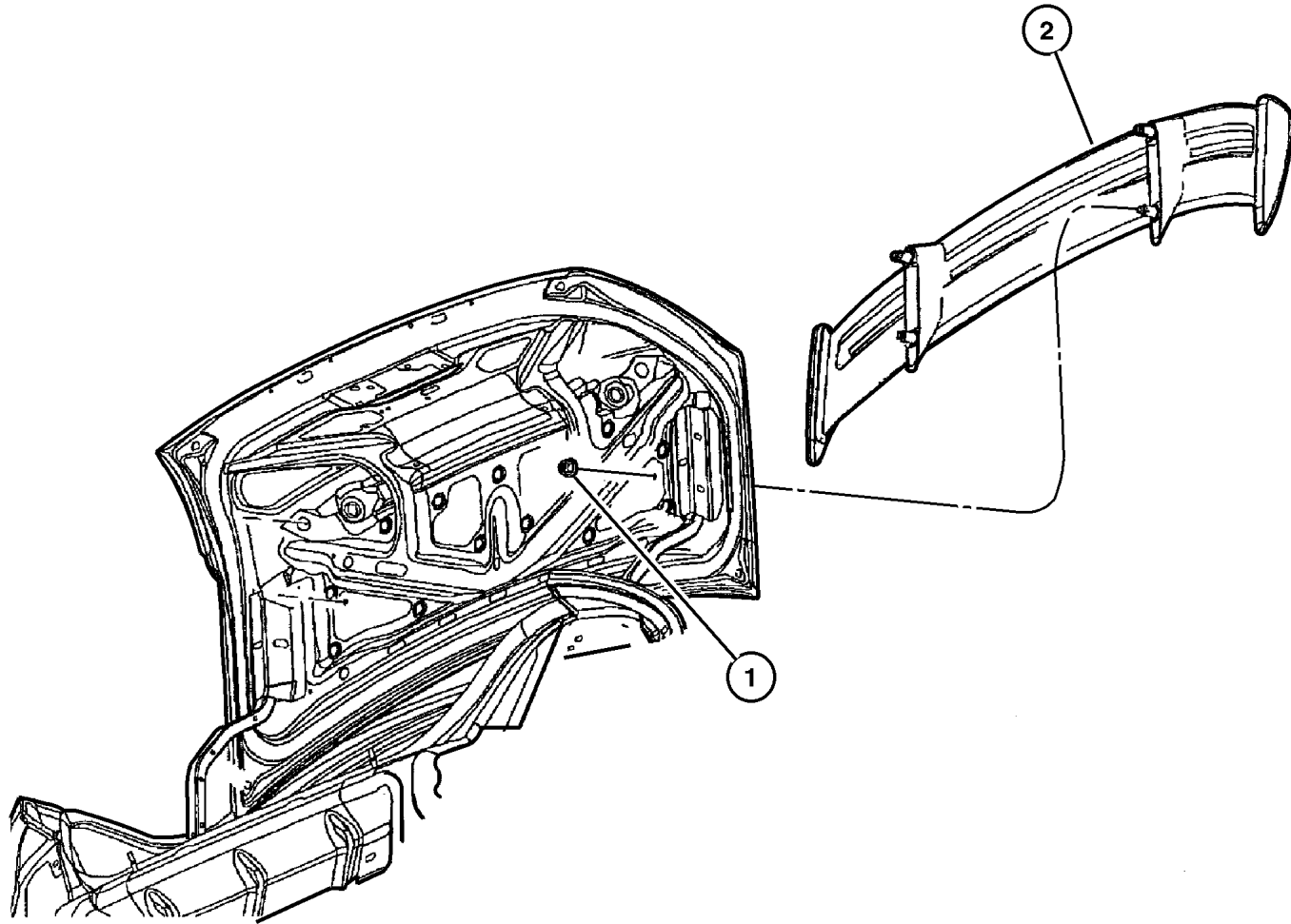
SERIES	LINE	BODY	ENGINE	TRANSMISSION
L=Low Line	Z=Chrysler, RHD	41 = 4 Door,	ECB,EC0=2.0L 4 Cyl., 16V SMPI	DD5=5 Speed Manual
H=High Line	D=Dodge	104WB	ECH,EC0=2.0L 4 Cyl, 16V SOHC	DGC=3 Speed Automatic
	D=Chrysler		EJD,EJ0=1.6L 4 Cyl 16V, SOHC	DGL=4 Speed Automatic
	P=Plymouth		EBD,EB0=1.8L 4 Cyl 16V SEF	DG0=All Automatics
				DBB=All 5 Speed Manual

AR = Use as required - = Non illustrated part # = New this model year

May 2, 2002

Spoiler - Rear Deck Lid
Figure SPL-1315

ITEM	PART NUMBER	QTY	LINE	BODY	DESCRIPTION
1	6504 423	4			NUT AND WASHER, Hex, M6x1
2					SPOILER, Rear Air Dam
	#SX46 DX8AD	1			[X8]
	#SX46 PR4AD	1			[R4]
	#SX46 SW1AD	1			[W1]
	#SX46 WS2AD	1			[S2]
	#SX46 XBQAD	1			[BQ]
	#SX46 XGRAD	1			[GR]
-3	#5008 663AD	2			BUMPER, Deck Lid, Spoiler Only



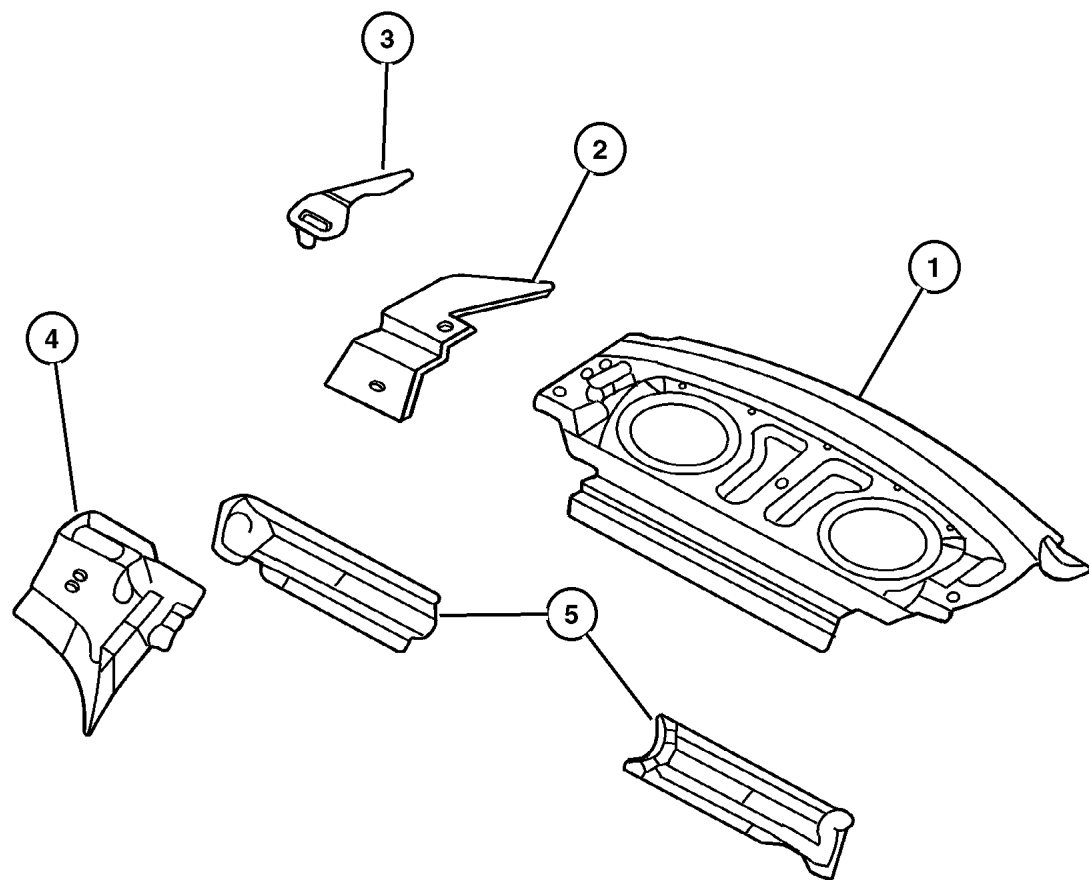
DODGE - CHRYSLER NEON (PL)				
SERIES	LINE	BODY	ENGINE	TRANSMISSION
L=Low Line	Z=Chrysler, RHD	41 = 4 Door,	ECB,EC0=2.0L 4 Cyl., 16V SMPI	DD5=5 Speed Manual
H=High Line	D=Dodge	104WB	ECH,EC0=2.0L 4 Cyl, 16V SOHC	DGC=3 Speed Automatic
	D=Chrysler		EJD,EJ0=1.6L 4 Cyl 16V, SOHC	DGL=4 Speed Automatic
	P=Plymouth		EBD,EB0=1.8L 4 Cyl 16V SEF	DG0=All Automatics
				DBB=All 5 Speed Manual

AR = Use as required - = Non illustrated part # = New this model year

May 2, 2002

Rear Shelf Panel
Figure SPL-1410

ITEM	PART NUMBER	QTY	LINE	BODY	DESCRIPTION
1	#5008 397AA	1			PANEL, Shelf
2					EXTENSION, Shelf Panel
	4783 852AD	1			Right
	4783 853AD	1			Left
3					REINFORCEMENT, Shelf Panel Rear
	4783 848AD	1			Shoulder Belt Anchor, Right
	4783 849AD	1			Shoulder Belt Anchor, Left
4					SUPPORT, Rear Shelf Panel
	4783 322AC	1			To Wheelhouse, Right
	4783 323AC	1			To Wheelhouse, Left
5	#5008 487AA	1			



DODGE - CHRYSLER NEON (PL)				
SERIES	LINE	BODY	ENGINE	TRANSMISSION
L=Low Line	Z=Chrysler, RHD	41 = 4 Door,	ECB,EC0=2.0L 4 Cyl., 16V SMPI	DD5=5 Speed Manual
H=High Line	D=Dodge	104WB	ECH,EC0=2.0L 4 Cyl, 16V SOHC	DGC=3 Speed Automatic
	D=Chrysler		EJD,EJ0=1.6L 4 Cyl 16V, SOHC	DGL=4 Speed Automatic
	P=Plymouth		EBD,EB0=1.8L 4 Cyl 16V SEF	DG0=All Automatics
				DBB=All 5 Speed Manual

AR = Use as required - = Non illustrated part # = New this model year

May 2, 2002