



**NUMBER:** 08-016-01

**GROUP:** Electrical

**DATE:** Aug. 3, 2001

*This bulletin is supplied as technical information only and is not an authorization for repair. No part of this publication may be reproduced, stored in a retrieval system, or transmitted, in any form or by any means, electronic, mechanical, photocopying, or otherwise, without written permission of DaimlerChrysler Corporation.*

**SUBJECT:**

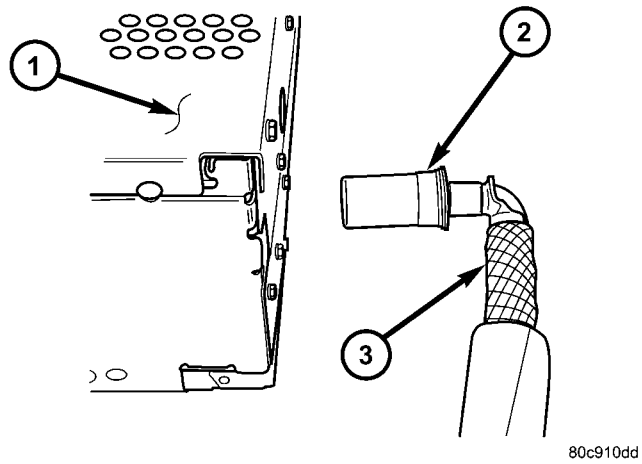
Locking Radio Antenna Connector

**MODELS:**

2002	AB	Ram Van/Wagon
2002	AN/AN84	Dakota
2002	BR/BE	Ram Truck
2002	DN	Durango
2002	DR	Ram Truck
2002	JR	Sebring/Stratus
2002	KJ	Liberty
2002	LH	Concorde/Intrepid/LHS/300M
2002	PL/PG	Neon
2002	PR	Prowler
2002	PT	PT Cruiser
2002	RS/RG	Town & Countr/Caravan/ Voyager
2002	SR	Viper
2002	ST	Sebring/ Stratus
2002	TJ	Wrangler
2002	WJ/WG	Grand Cherokee

**DISCUSSION:**

All 2002 vehicles equipped with radios will have a new locking radio antenna connector. (Fig. 1) This connector will require that a sliding plastic collar be pulled away from the radio, similar to an air hose connector, to release the lock. Pulling the antenna straight out of the radio without activating the release could damage the antenna or the radio.



80c910dd

**Fig. 1 ANTENNA TO RADIO**

- 1 - RADIO
  - 2 - LOCKING ANTENNA CONNECTOR
  - 3 - ANTENNA CABLE
- 

**POLICY:**  
Information Only