

LAMPS

TABLE OF CONTENTS

	page		page
LAMP DIAGNOSIS	1	LAMP SERVICE	12
HEADLAMP ALIGNMENT	2	BULB APPLICATION	19
LAMP BULB SERVICE	4		

LAMP DIAGNOSIS

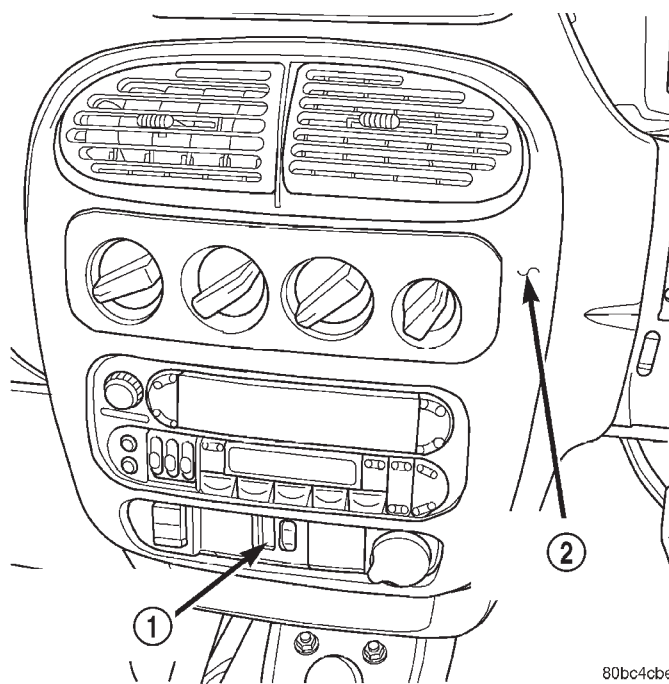
TABLE OF CONTENTS

	page
GENERAL INFORMATION	
HEADLAMP LEVELING MOTOR.....	1

GENERAL INFORMATION

HEADLAMP LEVELING MOTOR

This vehicle is equipped with a remote headlamp leveling system. This system allows the driver to adjust the vertical headlamp aim from the interior of the vehicle to compensate for passenger or cargo load. A headlamp leveling switch is located in the instrument panel (Fig. 1) and controls the headlamp leveling motor which is mounted to the rear of the headlamp assembly.



80bc4cbe

Fig. 1 Headlamp Leveling Switch Position & Orientation

- 1 - HEAD LAMP LEVELING SWITCH
- 2 - CENTER INSTRUMENT BEZEL

HEADLAMP ALIGNMENT

TABLE OF CONTENTS

	page		page
DESCRIPTION AND OPERATION		ADJUSTMENTS	
HEADLAMP ALIGNMENT	2	HEADLAMP ADJUSTMENT USING	
SERVICE PROCEDURES		ALIGNMENT SCREEN	2
HEADLAMP ALIGNMENT PREPARATION	2		

DESCRIPTION AND OPERATION

HEADLAMP ALIGNMENT

Headlamps can be aligned using the screen method provided in this section. This method will require the vehicle to be parked on a flat, level surface with a minimum of 15 meters of working room in front of a flat, level perpendicular wall or aiming.

Each headlamp has a focal point circle molded on the lens directly in front of each headlamp bulb. These focal point circles are used to set up lines on a wall, or aiming board for visually aiming the headlamps.

The driving (high) beam location does not require adjustment. It will be correct when the passing (low) beam headlamps are aimed correctly.

SERVICE PROCEDURES

HEADLAMP ALIGNMENT PREPARATION

(1) Verify headlamp dimmer switch and high beam indicator operation.

(2) Inspect and correct damaged or defective components that could interfere with proper headlamp alignment.

(3) Verify that the headlamp leveling switch is in the "0" position.

(4) Verify proper tire inflation.

(5) Clean the headlamp lenses.

(6) Verify that the luggage area is not heavily loaded.

(7) Fuel tank should be FULL. Add 2.94 kg (6.5 lbs.) of weight over the fuel tank for each estimated gallon of missing fuel.

ADJUSTMENTS

HEADLAMP ADJUSTMENT USING ALIGNMENT SCREEN

ALIGNMENT SCREEN PREPARATION

(1) Position the vehicle on a level surface 10 meters in front of a level, flat wall or aiming board.

(2) Tape a vertical line on the wall extending 1 meter up from the floor, making sure this line is even with the centerline of the vehicle (Fig. 1).

(3) Measure the cross-car distance between the two headlamp focal point circles (1174mm). Transfer half of this distance (587mm) to the left of the vehicle centerline and tape another vertical line up from the floor 1 meter (Fig. 1). Repeat for the right side of the centerline.

(4) Measure the distance from the floor to the focal point circle on the headlamp lens (635mm, but may vary due to variations in tire size and vehicle suspension height). Transfer this measurement to the wall and tape a horizontal line extending approximately 1 meter beyond each vertical focal point line (Fig. 1).

(5) Use these lines for left and right adjustment reference.

HEADLAMP ADJUSTMENT

Horizontal Adjustment

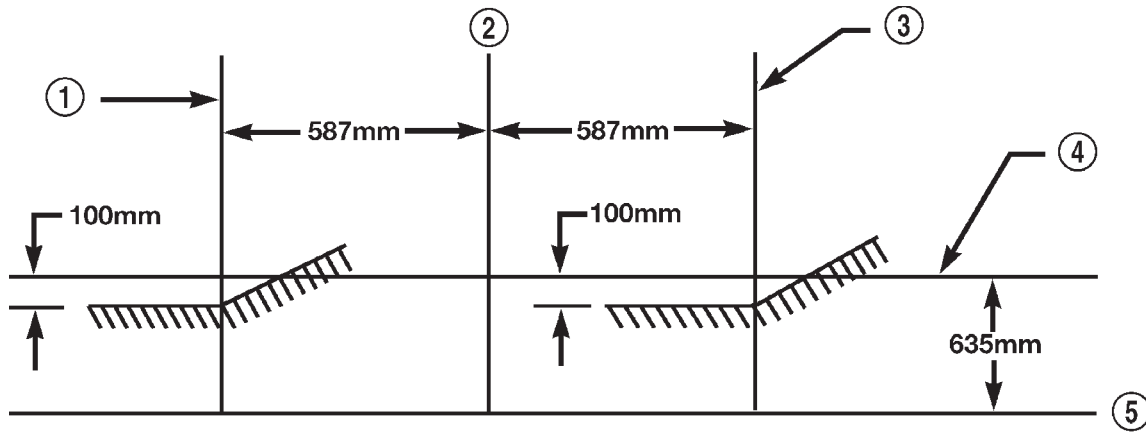
The horizontal position of the passing (low) beam pattern is adjusted by turning the T-15 Torx screw. Located through the slot in the upper-crossmember between the two attaching straps of the headlamp.

Vertical Adjustment

The vertical position of the passing (low) beam pattern is adjusted by turning the Phillips screw on top of the headlamp leveling motor. Located between the headlamp housing and the upper-crossmember, just inboard of the fender.

Adjust the passing (low) beam headlamp patterns to the locations shown in the chart provided (Fig. 1).

ADJUSTMENTS (Continued)



80bceaa0

Fig. 1 Headlamp Alignment Screen

- | | |
|--|--|
| 1 - VERTICAL CENTERLINE THROUGH FOCAL POINT CIRCLE OF LEFT HEADLAMP | 4 - HORIZONTAL CENTERLINE THROUGH FOCAL POINT CIRCLES OF HEADLAMPS |
| 2 - CENTERLINE OF VEHICLE | 5 - GROUND |
| 3 - VERTICAL CENTERLINE THROUGH FOCAL POINT CIRCLE OF RIGHT HEADLAMP | |

LAMP BULB SERVICE

TABLE OF CONTENTS

	page		page
REMOVAL AND INSTALLATION			
CENTER HIGH MOUNTED STOP LAMP BULB	4	REAR LICENSE PLATE LAMP BULBS	7
FRONT TURN SIGNAL LAMP BULB	4	REAR FOG LAMP BULB	8
FRONT POSITION LAMP BULB	5	SIDE REPEATER LAMP BULB	9
FRONT FOG LAMP BULB	6	TAIL, STOP, BACK-UP AND TURN SIGNAL	
HEADLAMP BULB	6	LAMP BULBS	10

REMOVAL AND INSTALLATION

CENTER HIGH MOUNTED STOP LAMP BULB

REMOVAL

- (1) Open the trunklid.

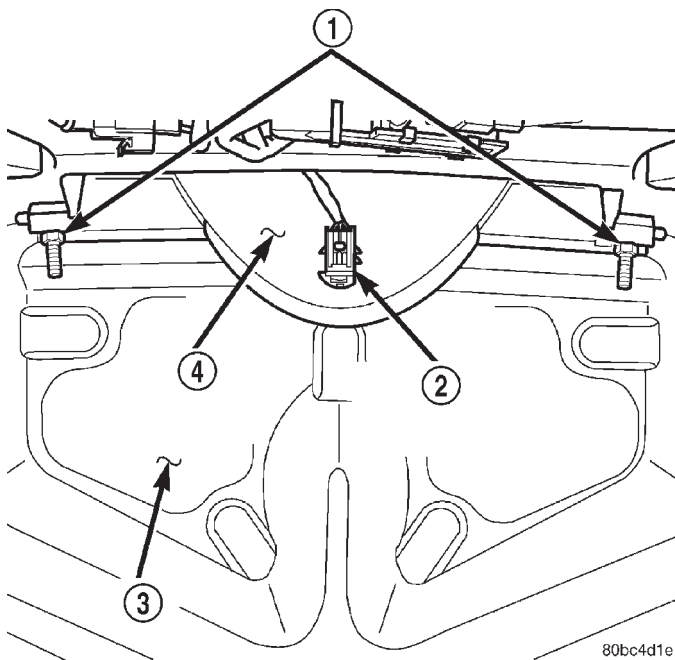


Fig. 1 Center High Mounted Stop Lamp

- 1 - C. H. M. S. L. LAMP RETAINING NUTS
- 2 - C. H. M. S. L. LAMP ELECTRICAL CONNECTOR
- 3 - TRUNK LID
- 4 - C. H. M. S. L. LAMP

(2) Remove the CHMSL lamp socket from the lamp assembly (Fig. 1). Rotate and pull the socket straight from the CHMSL lamp.

(3) Remove the bulb from its socket.

INSTALLATION

- (1) Install the bulb in its socket.
- (2) Verify lamp operation.

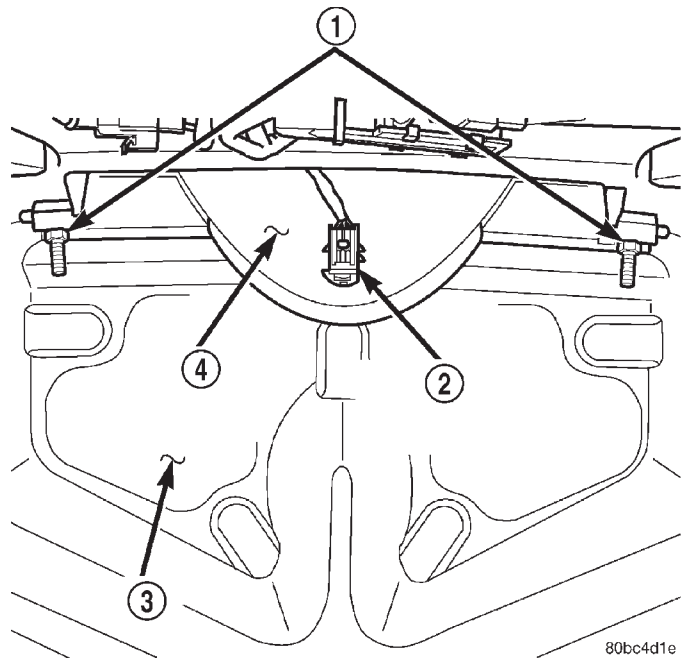


Fig. 2 Center High Mounted Stop Lamp

- 1 - C. H. M. S. L. LAMP RETAINING NUTS
- 2 - C. H. M. S. L. LAMP ELECTRICAL CONNECTOR
- 3 - TRUNK LID
- 4 - C. H. M. S. L. LAMP

(3) Install the CHMSL lamp socket in the lamp assembly (Fig. 2).

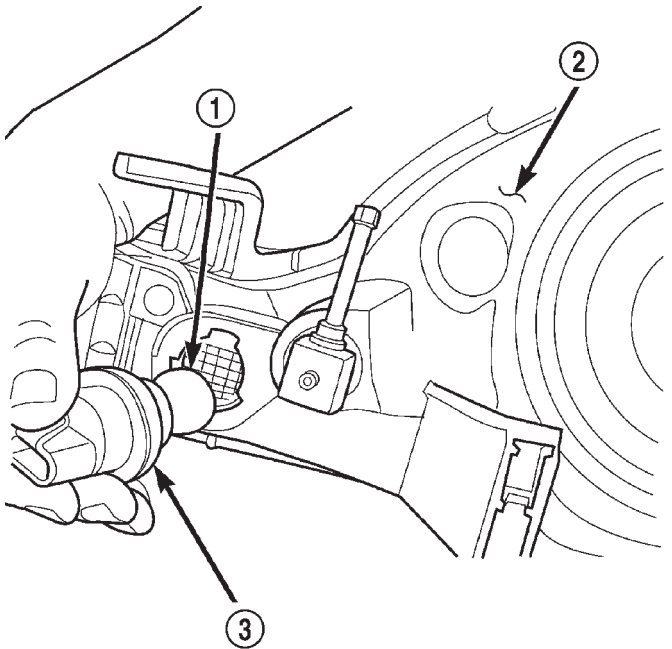
(4) Close the trunklid.

FRONT TURN SIGNAL LAMP BULB

REMOVAL

(1) Remove the appropriate headlamp module from the vehicle. Refer to the Headlamp Module removal and installation procedure in this group.

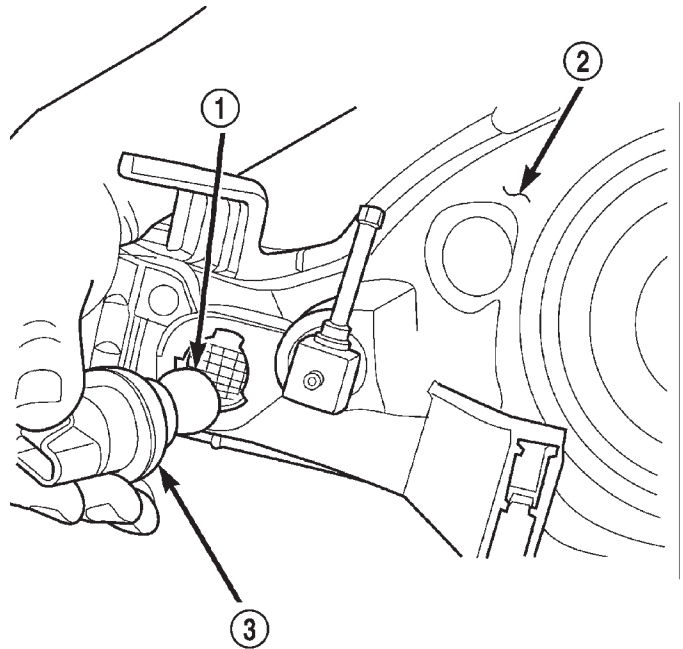
REMOVAL AND INSTALLATION (Continued)



80bc4cd0

Fig. 3 Turn Signal Lamp

- 1 - TURN SIGNAL LAMP BULB
- 2 - HEADLAMP MODULE
- 3 - TURN SIGNAL LAMP SOCKET



80bc4cd0

Fig. 4 Turn Signal Lamp

- 1 - TURN SIGNAL LAMP BULB
- 2 - HEADLAMP MODULE
- 3 - TURN SIGNAL LAMP SOCKET

(2) Rotate the turn signal lamp socket one-quarter turn and pull straight from the headlamp assembly.

(3) Pull the turn signal lamp bulb straight from its socket (Fig. 3).

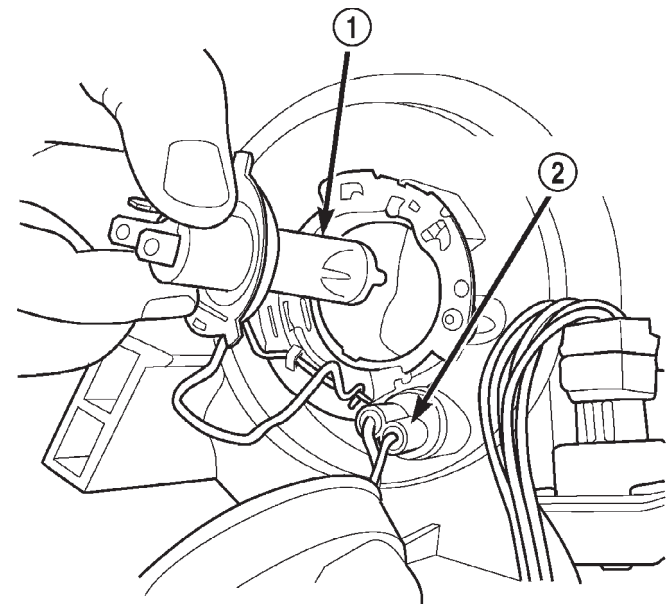
INSTALLATION

- (1) Install the turn signal lamp bulb in its socket.
- (2) Connect the turn signal lamp electrical connector.
- (3) Verify lamp operation.
- (4) Install the turn signal lamp socket assembly in the headlamp module.
- (5) Install the headlamp module in the vehicle. Refer to the Headlamp Module removal and installation procedure in this group.

FRONT POSITION LAMP BULB

REMOVAL

- (1) Remove the appropriate headlamp module from the vehicle. Refer to the Headlamp Module removal and installation procedure in this group.
- (2) Pull back the protective rubber boot to access the front position lamp socket (Fig. 5).
- (3) Pull the front position lamp socket from the headlamp module (Fig. 5).
- (4) Pull the front position lamp bulb straight from its socket.



80bc4cd2

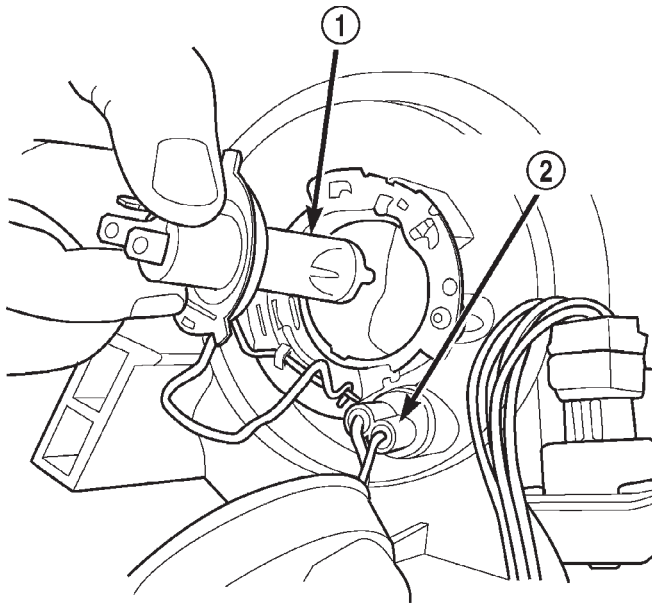
Fig. 5 Front Position Lamp

- 1 - HEADLAMP BULB
- 2 - FRONT POSITION LAMP SOCKET

INSTALLATION

- (1) Connect the 4-way electrical connector and verify lamp operation.

REMOVAL AND INSTALLATION (Continued)



80bc4cd2

Fig. 6 Front Position Lamp

- 1 - HEADLAMP BULB
2 - FRONT POSITION LAMP SOCKET

(2) Install the front position lamp socket in the headlamp module (Fig. 6).

(3) Install the protective rubber boot in its original position.

(4) Install the headlamp module in the vehicle. Refer to the Headlamp Module removal and installation procedure in this group.

FRONT FOG LAMP BULB**REMOVAL**

(1) Raise the vehicle on a hoist or position a creeper under the front of the vehicle.

(2) Remove the front air dam retaining fasteners and remove the air dam from the vehicle.

(3) Disconnect the fog lamp electrical connector by reaching between the front fascia and the lower closure panel.

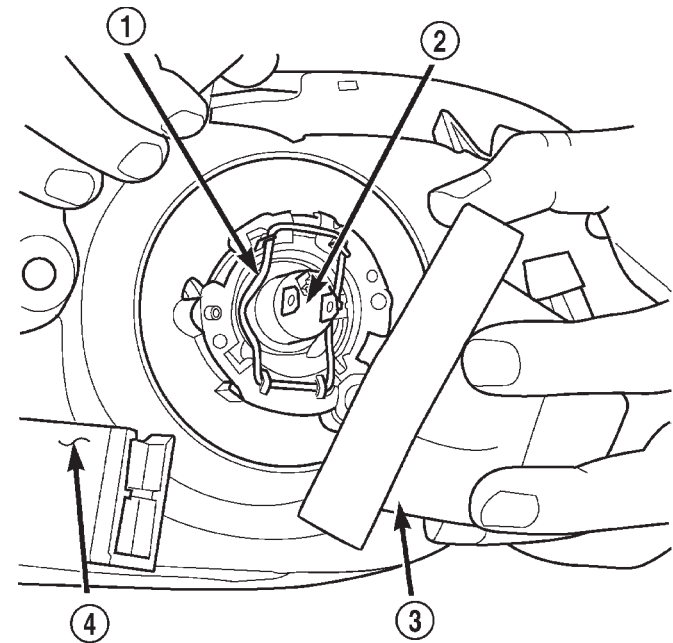
(4) Rotate the fog lamp bulb one-quarter turn and pull straight from the lamp assembly.

INSTALLATION

- (1) Install the fog lamp bulb in the lamp assembly.
- (2) Connect the fog lamp electrical connector.
- (3) Verify lamp operation.
- (4) Install the front air dam and retaining fasteners.

HEADLAMP BULB**REMOVAL**

(1) Remove the appropriate headlamp module from the vehicle. Refer to the Headlamp Module removal and installation procedure in this group.



80bc4cd1

Fig. 7 Headlamp Bulb

- 1 - HEADLAMP BULB RETAINING CLIP
2 - HEADLAMP BULB
3 - PROTECTIVE BOOT
4 - HEADLAMP MODULE

(2) Pull back the protective rubber boot from the headlamp module (Fig. 7).

(3) Depress and slide the headlamp bulb retaining clip to the side to unlock the headlamp bulb from the headlamp module (Fig. 7).

(4) Pull the headlamp bulb straight from the module (Fig. 8).

INSTALLATION

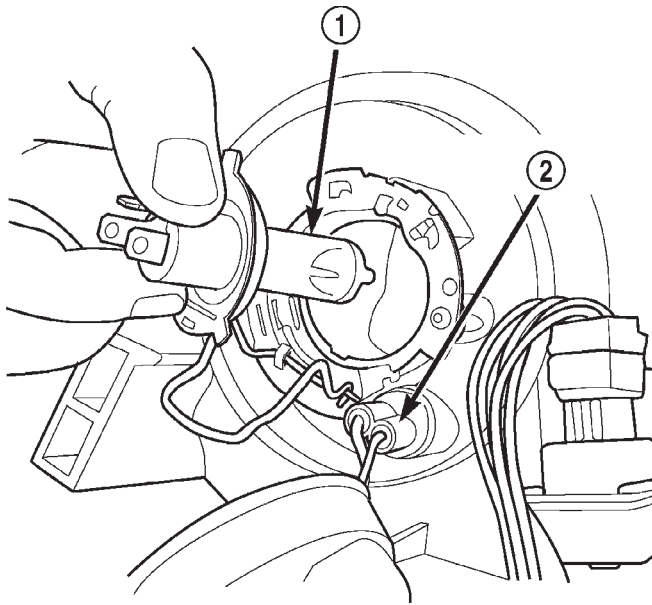
CAUTION: Do not touch the glass of the halogen bulb with fingers or other possibly oily surfaces, reduced bulb life will result.

(1) Install the headlamp bulb in the headlamp module (Fig. 9) and secure in place with the metal retaining clip (Fig. 10).

(2) Install the protective rubber boot in its original position (Fig. 10).

(3) Install the headlamp module in the vehicle. Refer to the Headlamp Module removal and installation procedure in this group.

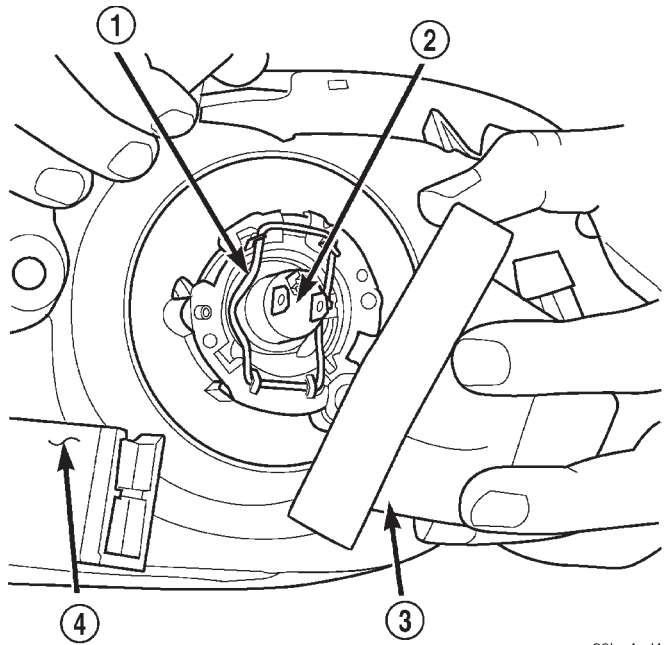
REMOVAL AND INSTALLATION (Continued)



80bc4cd2

Fig. 8 Removing Headlamp Bulb

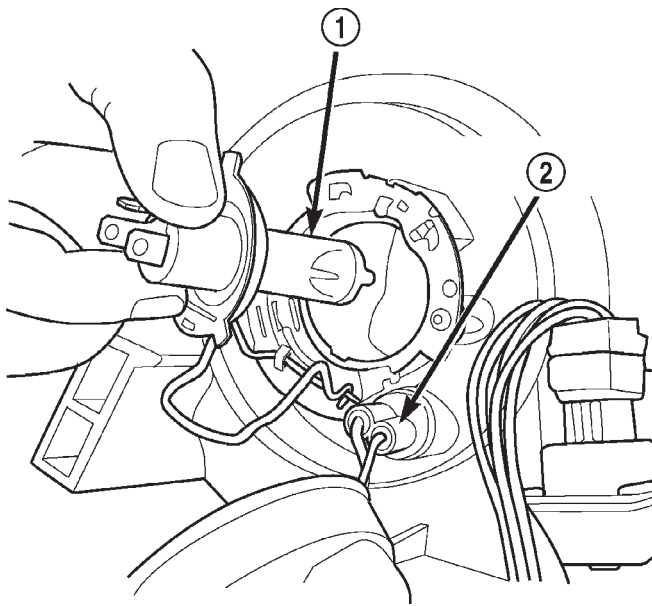
- 1 - HEADLAMP BULB
- 2 - FRONT POSITION LAMP SOCKET



80bc4cd1

Fig. 10 Headlamp Bulb

- 1 - HEADLAMP BULB RETAINING CLIP
- 2 - HEADLAMP BULB
- 3 - PROTECTIVE BOOT
- 4 - HEADLAMP MODULE



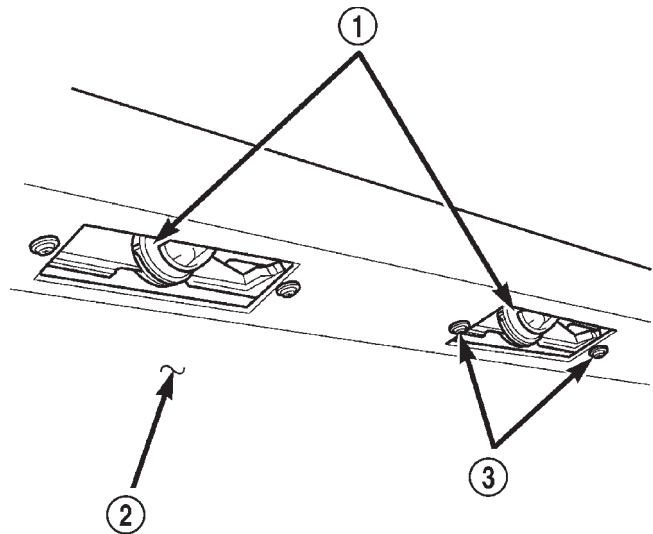
80bc4cd2

Fig. 9 Installing Headlamp Bulb

- 1 - HEADLAMP BULB
- 2 - FRONT POSITION LAMP SOCKET

REAR LICENSE PLATE LAMP BULBS

REMOVAL



80bc4d04

Fig. 11 Rear License Plate Lamps

- 1 - LICENSE PLATE LAMPS
- 2 - REAR BUMPER COVER
- 3 - LICENSE PLATE LAMP RETAINING SCREWS

(1) Remove the license plate lamp retaining screws (Fig. 8).

REMOVAL AND INSTALLATION (Continued)

(2) Remove the lamp through the opening in the rear bumper cover.

(3) Remove the lamp socket from the lamp assembly. Rotate and pull the socket straight from the lamp assembly.

(4) Pull the bulb straight from the lamp socket.

INSTALLATION

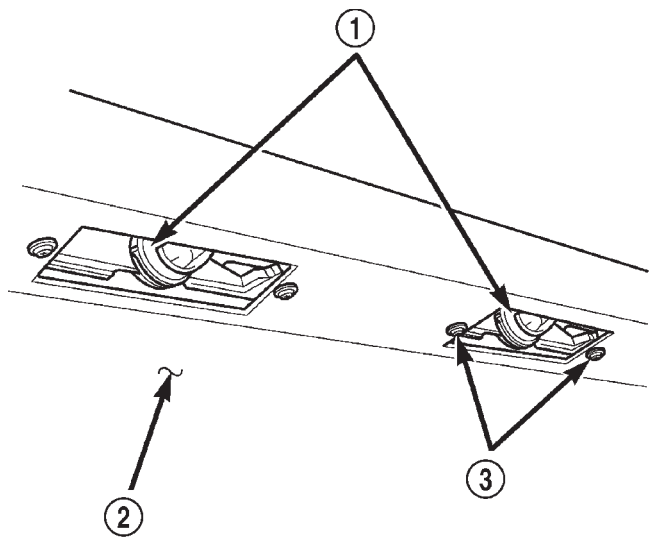
(1) Align and install the bulb in the lamp socket.

(2) Verify lamp operation.

(3) Install the lamp socket in the lamp assembly.

(4) Install the lamp through the opening in the rear bumper cover.

(5) Hold the lamp assembly in position with your hand until both retaining screws are started.



80bc4d04

Fig. 12 Rear License Plate Lamps

1 - LICENSE PLATE LAMPS

2 - REAR BUMPER COVER

3 - LICENSE PLATE LAMP RETAINING SCREWS

(6) Tighten the lamp retaining screws (Fig. 9).

REAR FOG LAMP BULB

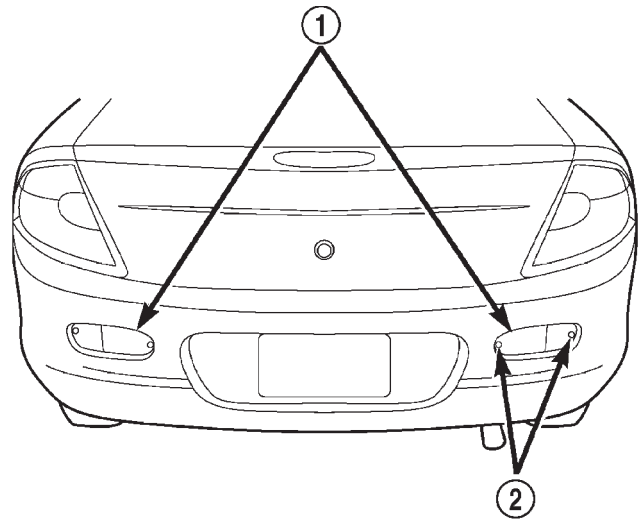
REMOVAL

(1) Remove the appropriate (2) rear fog lamp retaining screws (Fig. 13).

(2) Pull the lamp assembly from the rear bumper cover (Fig. 14).

(3) Rotate and pull the lamp socket from the lamp housing (Fig. 14).

(4) Pull the bulb from its socket.

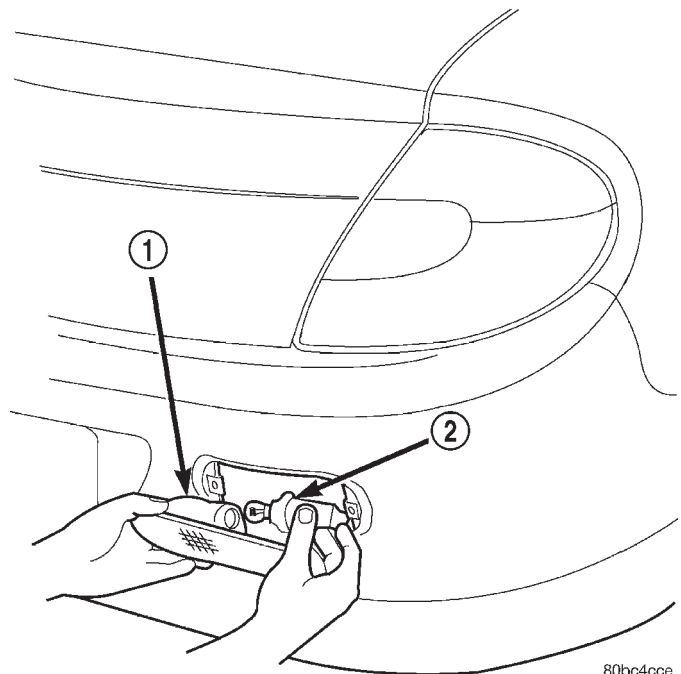


80bc4cct

Fig. 13 Rear Fog Lamps

1 - REAR FOG LAMPS

2 - LAMP RETAINING SCREWS



80bc4cce

Fig. 14 Rear Fog Lamp

1 - REAR FOG LAMP

2 - REAR FOG LAMP SOCKET

INSTALLATION

(1) Align the bulb with its socket and install.

(2) Verify lamp operation.

(3) Push and rotate the lamp socket into the lamp housing (Fig. 15).

REMOVAL AND INSTALLATION (Continued)

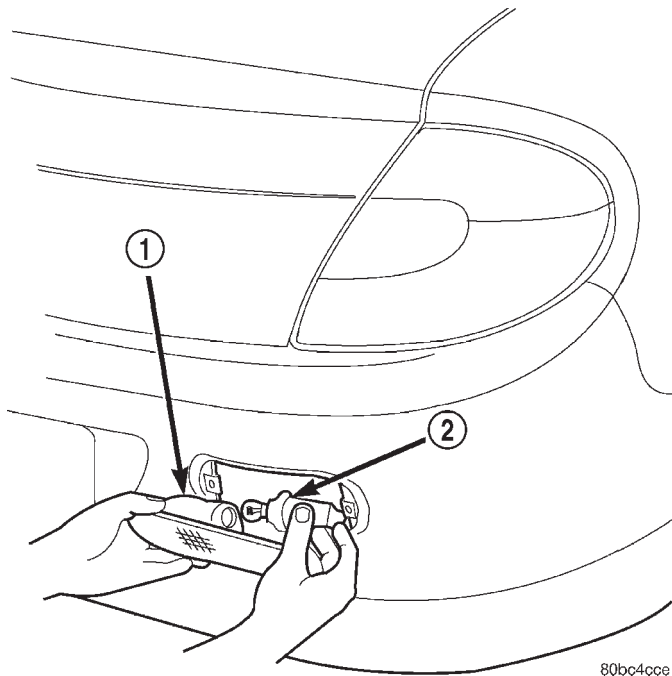


Fig. 15 Rear Fog Lamp

- 1 - REAR FOG LAMP
- 2 - REAR FOG LAMP SOCKET

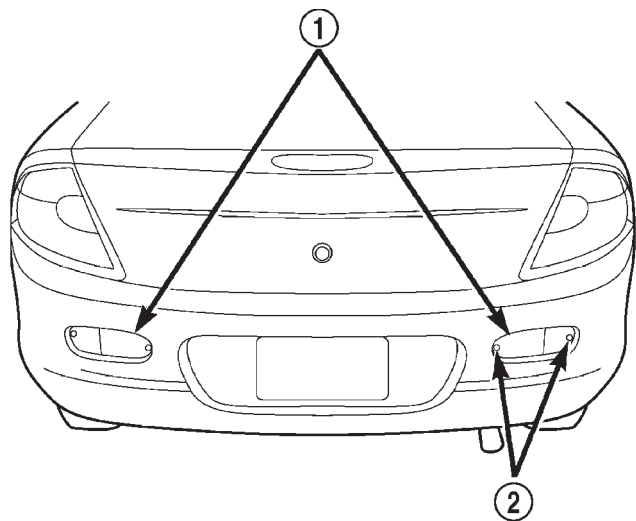


Fig. 16 Rear Fog Lamps

- 1 - REAR FOG LAMPS
- 2 - LAMP RETAINING SCREWS

(4) Push the rear fog lamp assembly into the bumper cover and install the (2) retaining screws (Fig. 16).

SIDE REPEATER LAMP BULB

REMOVAL

(1) Remove the screws and pushpins securing the appropriate front wheel splash shield. Reach between the fender and splash shield to access the rear of the side repeater lamp. Depress the top and bottom retaining tabs to release the lamp from the fender (Fig. 17).

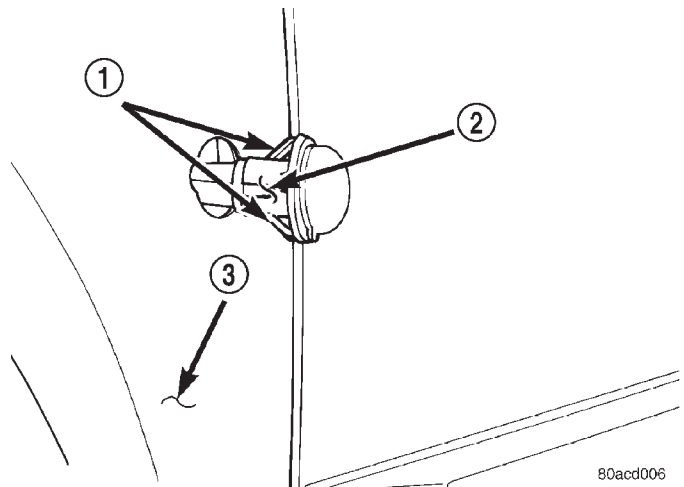


Fig. 17 Side Repeater Lamp Retaining Tabs

- 1 - RETAINING TABS
- 2 - REPEATER LAMP
- 3 - FENDER

(2) Rotate the side repeater lamp socket clockwise and remove the lamp from the lamp housing (Fig. 18).

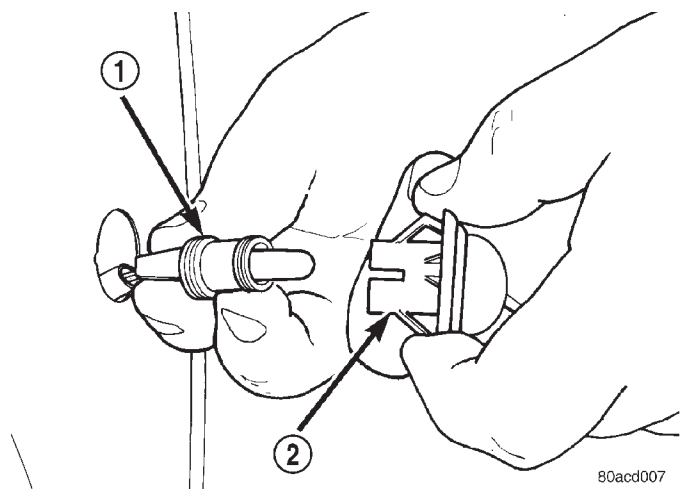


Fig. 18 Side Repeater Lamp Socket

- 1 - BULB SOCKET
- 2 - REPEATER LAMP

(3) Pull the lamp bulb from the lamp socket.

REMOVAL AND INSTALLATION (Continued)

INSTALLATION

(1) Install the side repeater lamp bulb in its socket.

(2) Verify lamp operation.

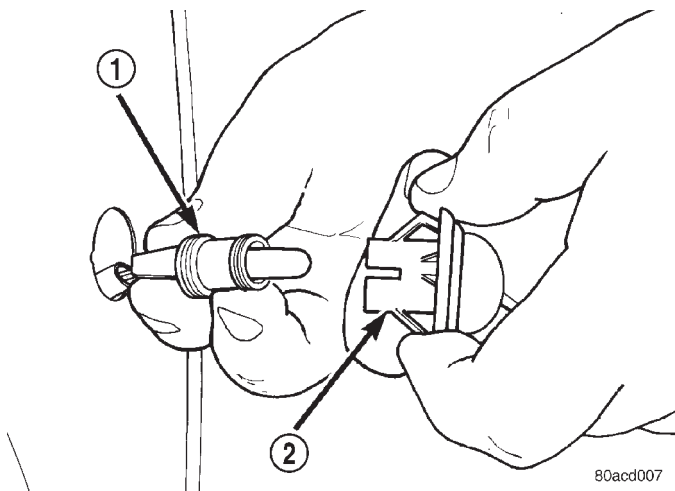


Fig. 19 Side Repeater Lamp Socket

- 1 - BULB SOCKET
- 2 - REPEATER LAMP

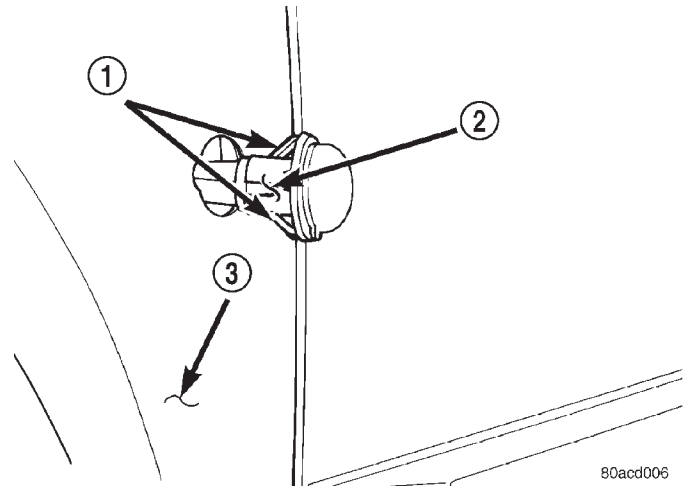


Fig. 20 Side Repeater Lamp Retaining Tabs

- 1 - RETAINING TABS
- 2 - REPEATER LAMP
- 3 - FENDER

(3) Install the lamp socket in the lamp housing (Fig. 19).

(4) Install the lamp in the front fender. Install the bottom mounting tab first then push lamp straight in to secure in fender (Fig. 20).

(5) Install the front wheel splash shield retaining pushpins and screws.

TAIL, STOP, BACK-UP AND TURN SIGNAL LAMP BULBS

REMOVAL

(1) Open the trunklid and clear area by the rear closure panel.

(2) Remove the pushpin and pull back the trunk trim.

(3) Remove the (3) plastic retaining nuts and pull the lamp assembly away from the vehicle (Fig. 21).

(4) Rotate the appropriate lamp socket and pull straight out of the tail lamp assembly.

(5) Pull the lamp bulb straight from its socket.

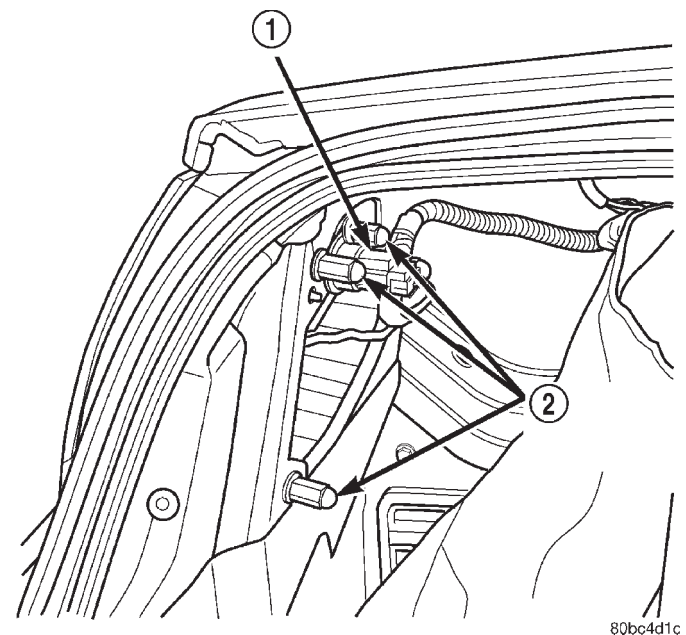


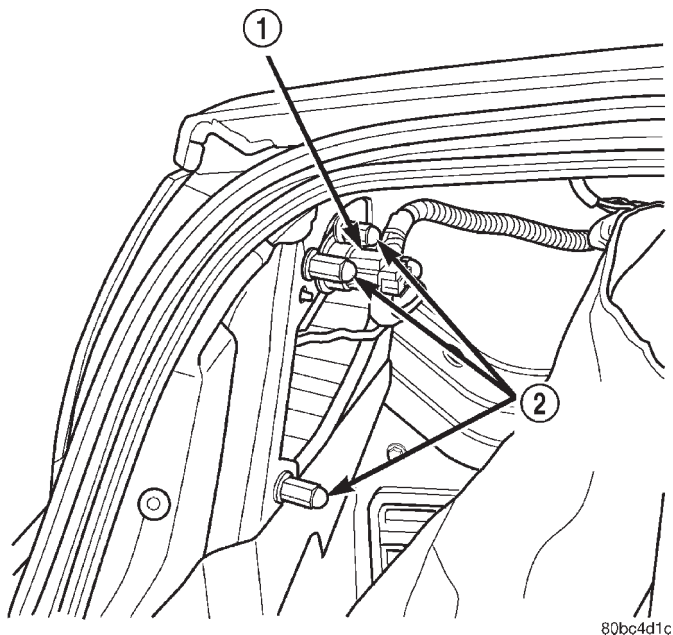
Fig. 21 Tail Lamp Assembly

- 1 - TAIL LAMP ELECTRICAL CONNECTOR
- 2 - TAIL LAMP RETAINING NUTS

REMOVAL AND INSTALLATION (Continued)

INSTALLATION

- (1) Install the bulb in its socket.
- (2) Verify lamp operation.



80bc4d1c

Fig. 22 Tail Lamp Assembly

- 1 - TAIL LAMP ELECTRICAL CONNECTOR
- 2 - TAIL LAMP RETAINING NUTS

(3) Install the lamp socket in the tail lamp assembly.

(4) Position the tail lamp assembly and install the (3) plastic retaining nuts (Fig. 22). Torque the nuts to 4.5 N·m (40in. lbs.).

(5) Install the trunk trim on the rear closure panel.

LAMP SERVICE

TABLE OF CONTENTS

	page		page
GENERAL INFORMATION		HEADLAMP MODULE	12
HEADLAMP SWITCH	12	HEADLAMP LEVELING MOTOR	14
HEADLAMP LEVELING SWITCH	12	FRONT FOG LAMP	15
HEADLAMP DIMMER SWITCH	12	REAR LICENSE PLATE LAMPS	15
REMOVAL AND INSTALLATION		REAR FOG LAMP	15
CENTER HIGH MOUNTED STOP LAMP (CHMSL)	12	SIDE REPEATER LAMP	17
		TAIL, STOP AND TURN SIGNAL LAMP	18

GENERAL INFORMATION

HEADLAMP SWITCH

Service procedures for the headlamp switch can be found in Group 8E, Instrument Panel and Gauges. More information can be found in Group 8W, Wiring Diagrams.

HEADLAMP LEVELING SWITCH

Service procedures for the headlamp leveling switch can be found in Group 8E, Instrument Panel Systems. More information can be found in Group 8W, Wiring Diagrams.

HEADLAMP DIMMER SWITCH

The headlamp dimmer switch is incorporated into the multi-function (turn signal) switch. Proper procedures can be found in Group 8J, Turn Signal and Flashers. More information can be found in Group 8W, Wiring Diagrams.

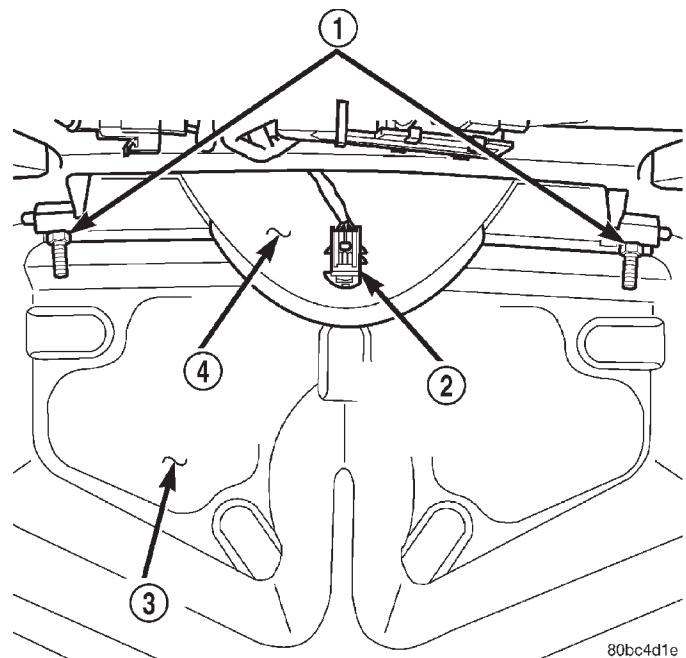


Fig. 1 Center High Mounted Stop Lamp

- 1 - C. H. M. S. L. LAMP RETAINING NUTS
- 2 - C. H. M. S. L. LAMP ELECTRICAL CONNECTOR
- 3 - TRUNK LID
- 4 - C. H. M. S. L. LAMP

REMOVAL AND INSTALLATION

CENTER HIGH MOUNTED STOP LAMP (CHMSL)

REMOVAL

- (1) Open the trunklid
- (2) Remove the CHMSL lamp socket from the lamp assembly (Fig. 1). Rotate and pull the socket straight from the CHMSL lamp.
- (3) Remove the (2) CHMSL lamp retaining nuts (Fig. 1) and remove the lamp from the trunklid.

INSTALLATION

- (1) Position the CHMSL lamp on the mounting studs and install the (2) retaining nuts (Fig. 2). Torque the nuts to 12 N·m (106 in. lbs.).

- (2) Install the CHMSL lamp socket in the lamp assembly (Fig. 2).

- (3) Close the trunklid and verify lamp operation.

HEADLAMP MODULE

REMOVAL

- (1) Open the hood and disconnect the negative battery cable.
- (2) Remove the (2) headlamp module retaining screws (Fig. 3).
- (3) Remove the upper front fascia retaining screw (Fig. 3).

REMOVAL AND INSTALLATION (Continued)

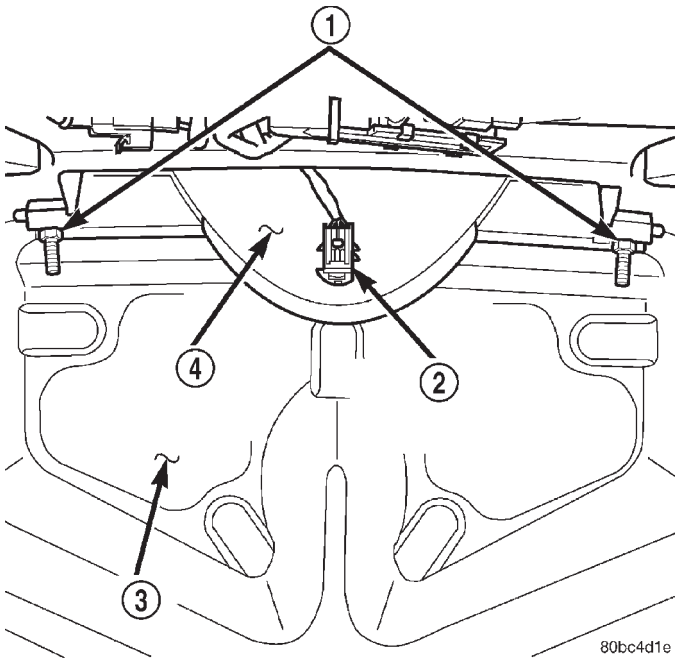


Fig. 2 Center High Mounted Stop Lamp

- 1 - C. H. M. S. L. LAMP RETAINING NUTS
- 2 - C. H. M. S. L. LAMP ELECTRICAL CONNECTOR
- 3 - TRUNK LID
- 4 - C. H. M. S. L. LAMP

straight out far enough to access the electrical connections (Fig. 4).

(6) Disconnect the headlamp bulb, front turn signal lamp bulb, and the 4-way electrical connector located at the bottom of the headlamp module.

NOTE: The turn signal and 4-way electrical connectors have a primary and secondary latch system.

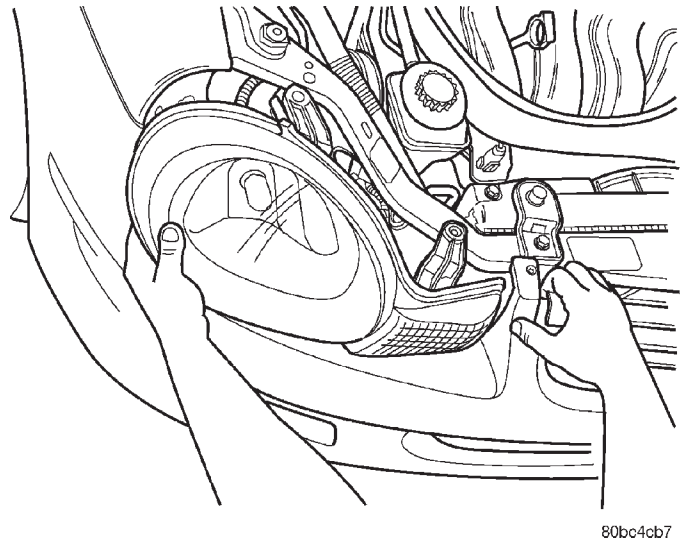


Fig. 4 Removing Headlamp Module

(7) While holding the front fascia away from the front closure panel, remove the headlamp module from the vehicle (Fig. 4).

INSTALLATION

(1) While holding the front fascia away from the front closure panel, position the headlamp module and restore the electrical connections.

(2) While holding the front fascia away from the front closure panel, insert the inboard side of the headlamp module behind the fascia. Position the headlamp locating pin into the slotted hole in the fender.

(3) Install the (2) headlamp module retaining screws (Fig. 5). Torque the bolts to 4.5 N·m (40 in. lbs.).

NOTE: The outboard headlamp module retaining screw must pass through the hole in the bottom of the headlamp housing to properly secure the headlamp module.

(4) Install the upper front fascia retaining screw (Fig. 5).

(5) Connect the negative battery cable.

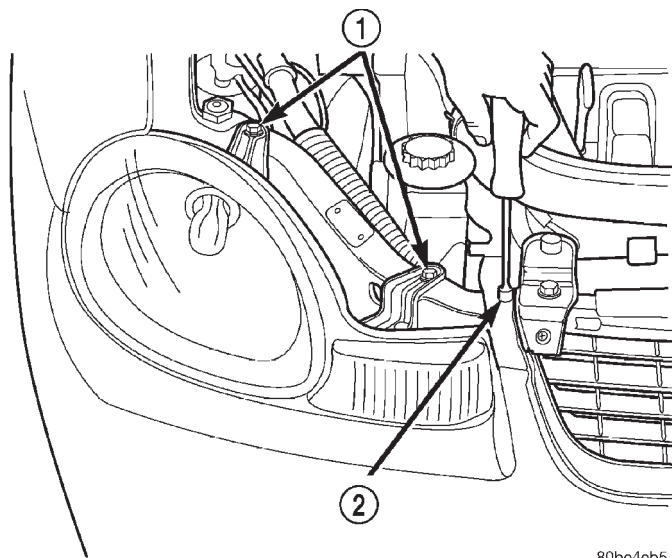


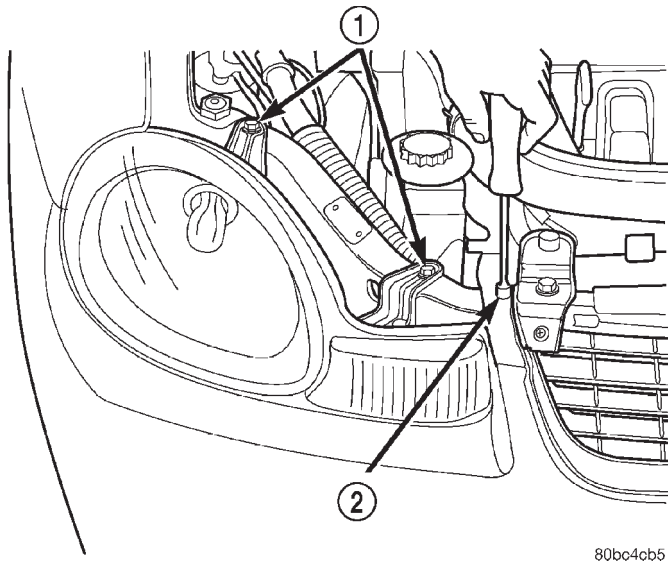
Fig. 3 Headlamp Module Retaining Bolts

- 1 - HEADLAMP MODULE RETAINING SCREWS
- 2 - FASCIA RETAINING SCREW

(4) Gently pull the outboard side of the headlamp module straight out to disengage the locating pin in the headlamp housing from the fender.

(5) While holding the front fascia away from the front closure panel, gently pull the headlamp module

REMOVAL AND INSTALLATION (Continued)



80bc4cb5

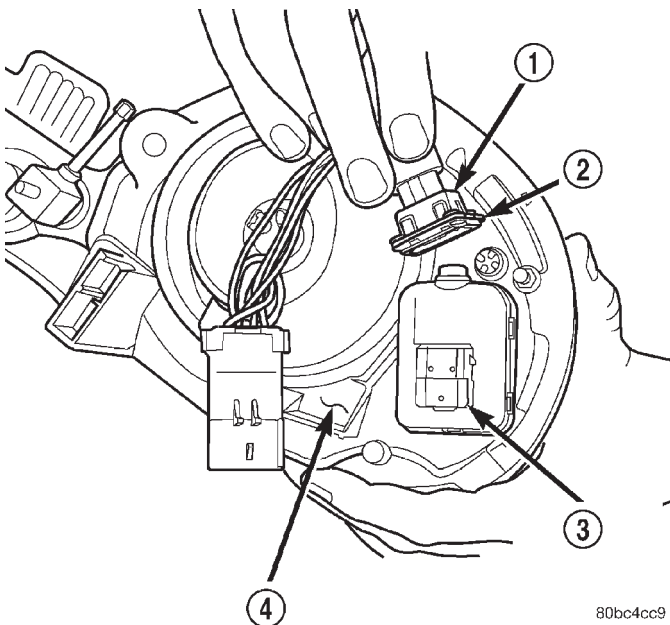
Fig. 5 Headlamp Module Retaining Bolts

- 1 - HEADLAMP MODULE RETAINING SCREWS
- 2 - FASCIA RETAINING SCREW

HEADLAMP LEVELING MOTOR

REMOVAL

(1) Remove the appropriate headlamp module from the vehicle. Refer to the HEADLAMP MODULE removal and installation procedure in this group.



80bc4cc9

Fig. 6 Headlamp Leveling Motor

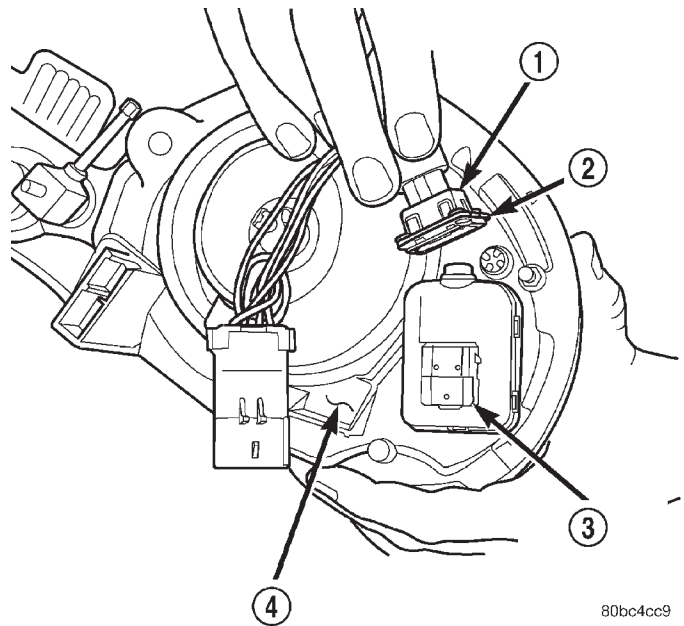
- 1 - HEADLAMP LEVELING MOTOR ELECTRICAL CONNECTOR
- 2 - RETAINING CLIP
- 3 - HEADLAMP LEVELING MOTOR
- 4 - HEADLAMP MODULE

(2) Disconnect the headlamp leveling motor electrical connector (Fig. 6). Depress the steel retaining clip while pulling the connector from the motor.

(3) Rotate the headlamp leveling motor and pull it straight out of the headlamp module (Fig. 6). Significant force will be required to unsnap the ball and socket connection between the headlamp leveling motor and the headlamp assembly.

INSTALLATION

(1) Install the headlamp leveling motor in the headlamp module. Push the headlamp leveling motor pushrod straight into its mating socket while holding the headlamp in the fully retracted position. This will prevent the headlamp assembly from moving while the ball and socket connection is restored. Assistance from another person may simplify this procedure.



80bc4cc9

Fig. 7 Headlamp Leveling Motor

- 1 - HEADLAMP LEVELING MOTOR ELECTRICAL CONNECTOR
- 2 - RETAINING CLIP
- 3 - HEADLAMP LEVELING MOTOR
- 4 - HEADLAMP MODULE

(2) Once the ball and socket connection is secured, push and rotate the headlamp leveling motor into the headlamp module to lock in place (Fig. 7).

(3) Connect the headlamp leveling motor electrical connector by pushing it straight on (Fig. 7).

(4) Install the headlamp module in the vehicle. Refer to the HEADLAMP MODULE removal and installation procedure in this group.

REMOVAL AND INSTALLATION (Continued)

FRONT FOG LAMP

REMOVAL

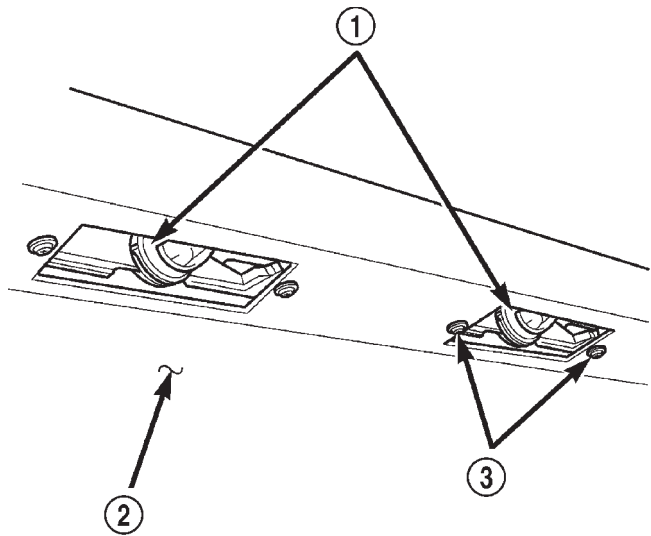
- (1) Raise the vehicle on a hoist or position a creeper under the front of the vehicle.
- (2) Remove the front air dam retaining fasteners and remove the air dam from the vehicle.
- (3) Disconnect the fog lamp electrical connector by reaching between the front fascia and the lower closure panel.
- (4) Remove the (3) fog lamp retaining nuts from the lamp mounting studs.
- (5) Remove the fog lamp from the front fascia.

INSTALLATION

- (1) Position the fog lamp in the front fascia and install the retaining nuts. Torque the nuts to 4.5 N·m (40 in. lbs.).
- (2) Connect the fog lamp electrical connector.
- (3) Install the front air dam and retaining fasteners.

REAR LICENSE PLATE LAMPS

REMOVAL



80bc4d04

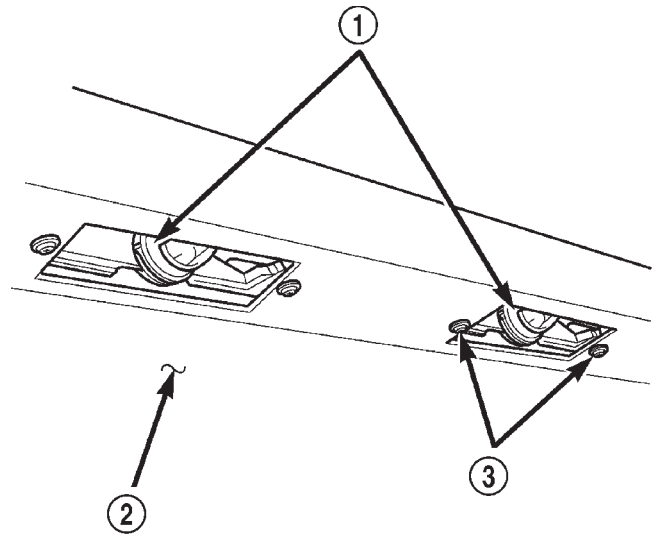
Fig. 8 Rear License Plate Lamps

- 1 - LICENSE PLATE LAMPS
- 2 - REAR BUMPER COVER
- 3 - LICENSE PLATE LAMP RETAINING SCREWS

- (1) Remove the license plate lamp retaining screws (Fig. 8).
- (2) Remove the lamp through the opening in the rear bumper cover.
- (3) Remove the lamp socket from the lamp assembly. Rotate and pull the socket straight from the lamp assembly.

INSTALLATION

- (1) Install the lamp socket in the lamp assembly.
- (2) Install the lamp through the opening in the rear bumper cover.
- (3) Hold the lamp assembly in position with your hand until both retaining screws are started.



80bc4d04

Fig. 9 Rear License Plate Lamps

- 1 - LICENSE PLATE LAMPS
- 2 - REAR BUMPER COVER
- 3 - LICENSE PLATE LAMP RETAINING SCREWS

- (4) Tighten the lamp retaining screws (Fig. 9).

REAR FOG LAMP

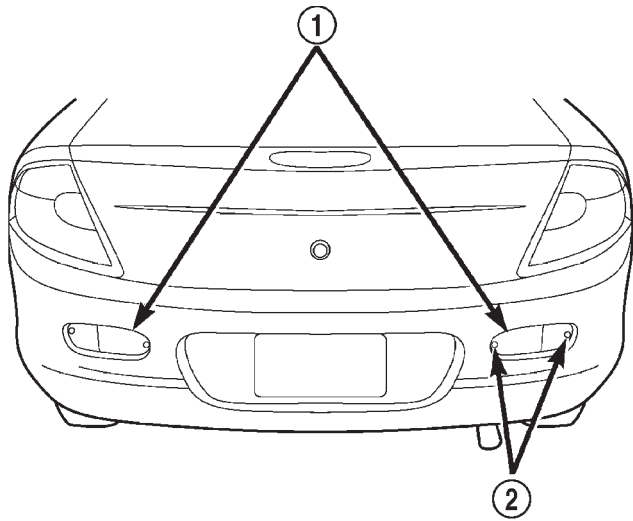
REMOVAL

- (1) Remove the appropriate (2) rear fog lamp retaining screws (Fig. 10).
- (2) Pull the lamp assembly from the rear bumper cover (Fig. 11).
- (3) Rotate and pull the lamp socket from the lamp housing (Fig. 11).

INSTALLATION

- (1) Push and rotate the lamp socket into the lamp housing (Fig. 12).
- (2) Install the rear fog lamp assembly into the bumper cover (Fig. 13).
- (3) Install the (2) rear fog lamp retaining screws (Fig. 13).

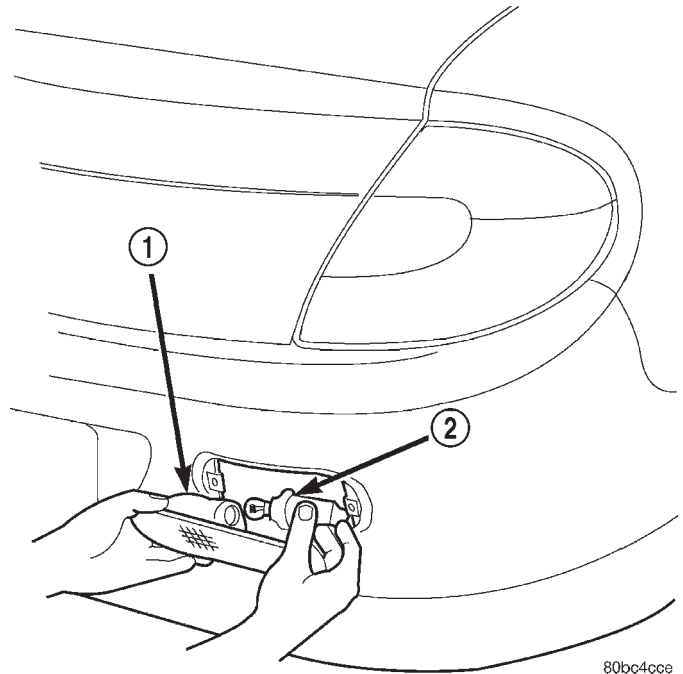
REMOVAL AND INSTALLATION (Continued)



80bc4ccl

Fig. 10 Rear Fog Lamps

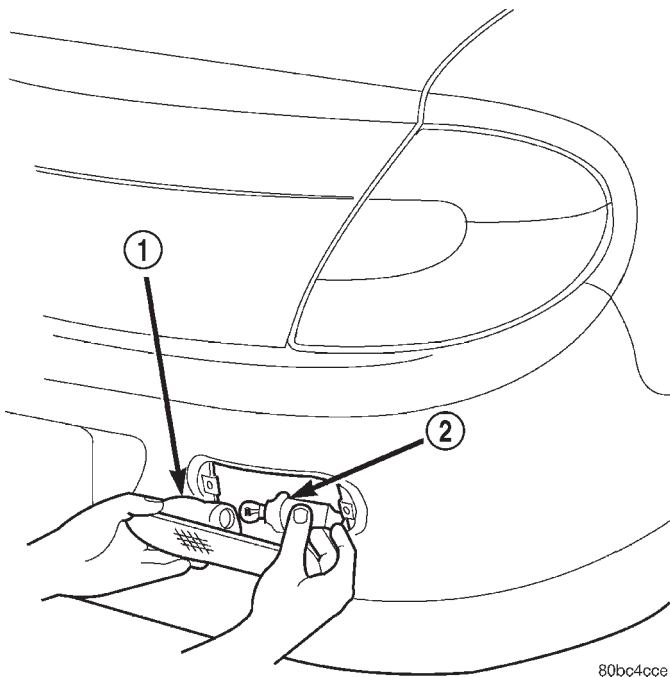
- 1 - REAR FOG LAMPS
- 2 - LAMP RETAINING SCREWS



80bc4cce

Fig. 12 Rear Fog Lamp

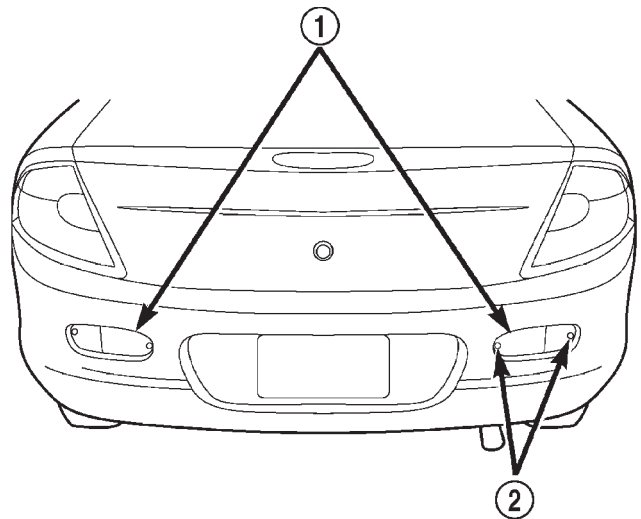
- 1 - REAR FOG LAMP
- 2 - REAR FOG LAMP SOCKET



80bc4cce

Fig. 11 Rear Fog Lamp

- 1 - REAR FOG LAMP
- 2 - REAR FOG LAMP SOCKET



80bc4ccl

Fig. 13 Rear Fog Lamps

- 1 - REAR FOG LAMPS
- 2 - LAMP RETAINING SCREWS

REMOVAL AND INSTALLATION (Continued)

SIDE REPEATER LAMP

REMOVAL

(1) Remove the screws and pushpins securing the appropriate front wheel splash shield. Reach between the fender and splash shield to access the rear of the side repeater lamp. Depress the top and bottom mounting tabs to release the lamp from the fender (Fig. 14).

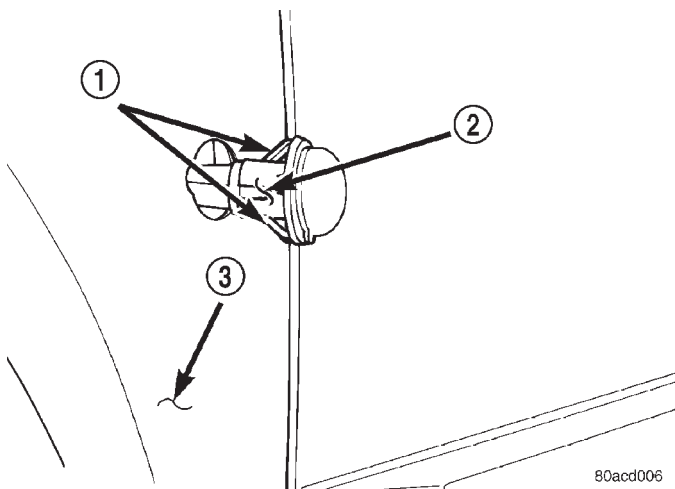


Fig. 14 Side Repeater Lamp Retaining Tabs

- 1 - RETAINING TABS
- 2 - REPEATER LAMP
- 3 - FENDER

(2) Rotate the side repeater lamp socket clockwise and remove the lamp from the lamp housing (Fig. 15).

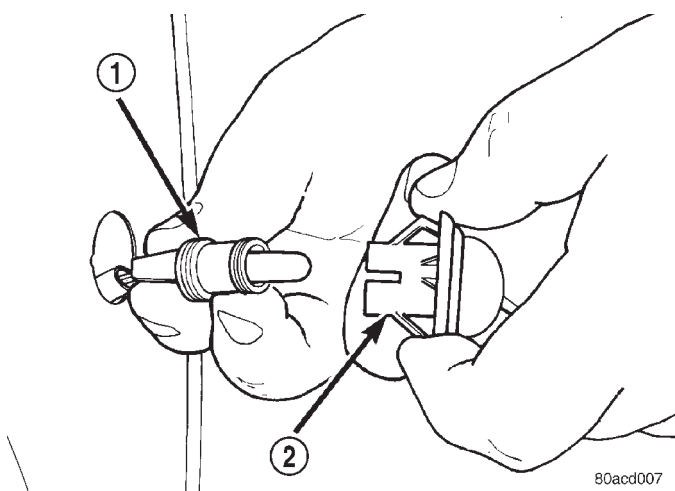


Fig. 15 Side Repeater Lamp Socket

- 1 - BULB SOCKET
- 2 - REPEATER LAMP

INSTALLATION

(1) Install the lamp socket in the lamp housing (Fig. 16).

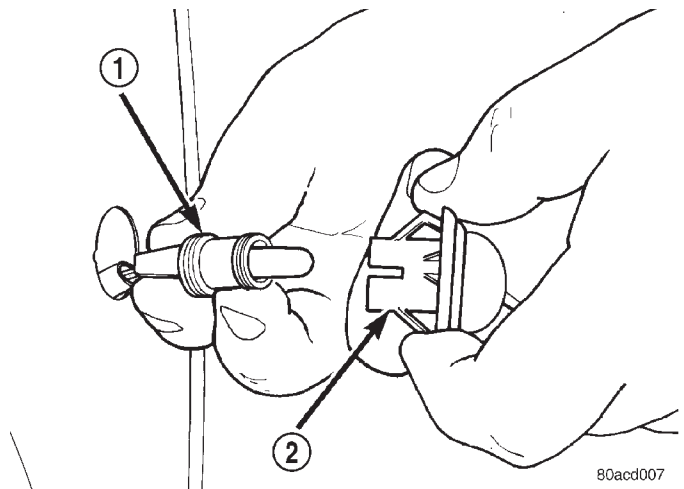


Fig. 16 Side Repeater Lamp Socket

- 1 - BULB SOCKET
- 2 - REPEATER LAMP

(2) Install the lamp in the front fender. Install the bottom mounting tab first then push lamp straight in to secure in fender (Fig. 17).

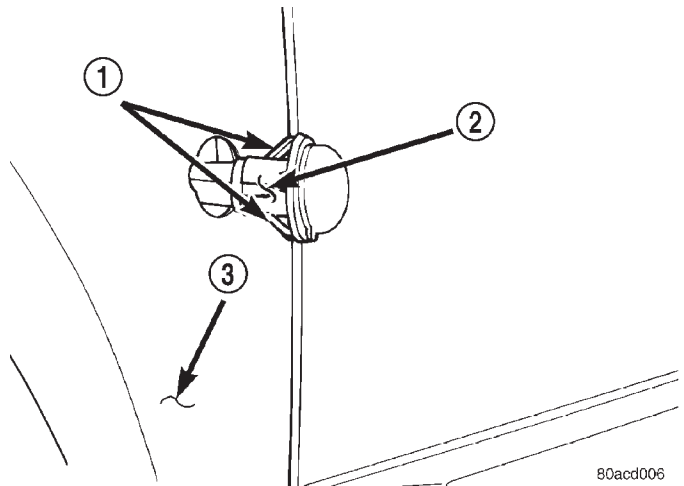


Fig. 17 Side Repeater Lamp Retaining Tabs

- 1 - RETAINING TABS
- 2 - REPEATER LAMP
- 3 - FENDER

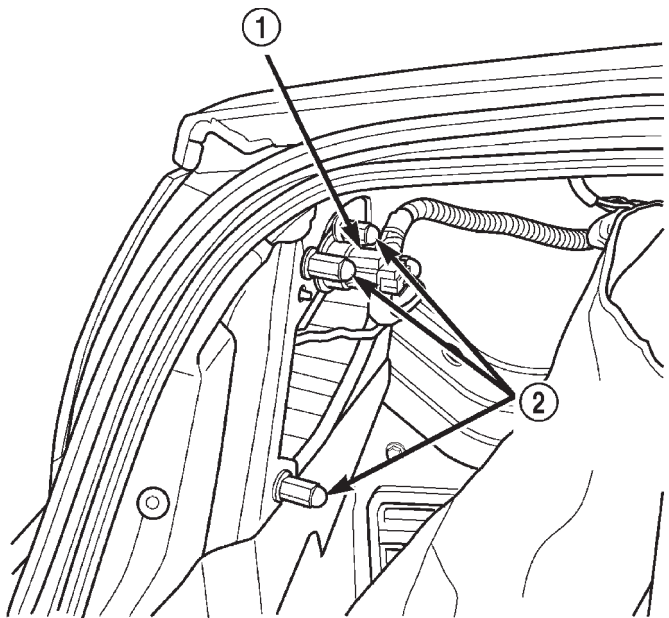
(3) Install the front wheel splash shield retaining pushpins and screws.

REMOVAL AND INSTALLATION (Continued)

TAIL, STOP AND TURN SIGNAL LAMP

REMOVAL

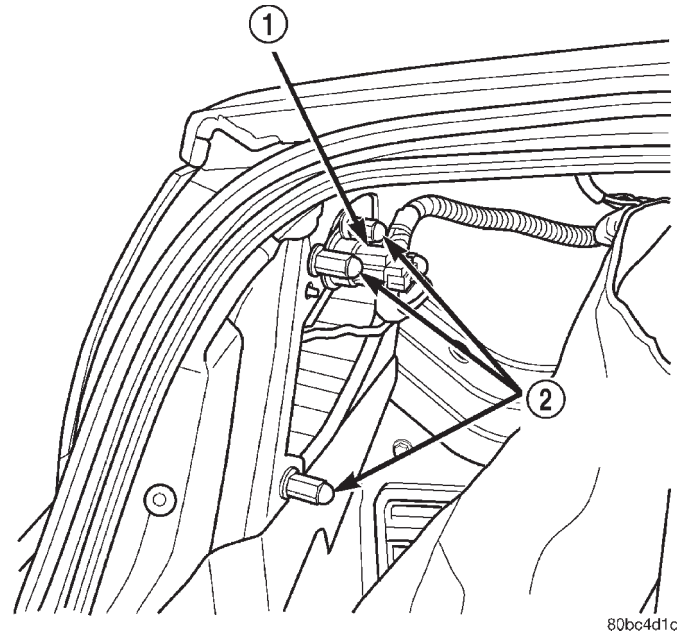
- (1) Open the trunklid and clear area by the rear closure panel.
- (2) Remove the pushpin and pull back the trunk trim.
- (3) Remove the (3) tail lamp assembly retaining nuts (Fig. 18).
- (4) Pull the lamp away from the vehicle enough to access the lamp electrical. Rotate and disconnect all the electrical connectors from the tail lamp assembly.

**Fig. 18 Tail Lamp Assembly**

- 1 - TAIL LAMP ELECTRICAL CONNECTOR
- 2 - TAIL LAMP RETAINING NUTS

INSTALLATION

- (1) Position the tail lamp assembly and restore the electrical connections.

**Fig. 19 Tail Lamp Assembly**

- 1 - TAIL LAMP ELECTRICAL CONNECTOR
- 2 - TAIL LAMP RETAINING NUTS

- (2) Position the lamp mounting studs through the holes in the rear closure panel. Install the (3) tail lamp assembly retaining nuts (Fig. 19). Torque the nuts to 4.5 N·m (40 in. lbs.).

- (3) Position the trunk trim and install the retaining pushpin. Close the trunklid.

- (5) Remove the lamp assembly from the vehicle.

BULB APPLICATION

TABLE OF CONTENTS

	page		page
GENERAL INFORMATION		INTERIOR LAMPS	19
INTRODUCTION	19		
SPECIFICATIONS			
EXTERIOR LAMPS	19		

GENERAL INFORMATION

INTRODUCTION

The following Bulb Application Tables list the lamp title on the left side of the column and trade number or part number on the right.

CAUTION: Do not use bulbs that have a higher candle power than the bulb listed in the Bulb Application Table. Damage to lamp can result.

Do not touch halogen bulbs with fingers or other possibly oily surfaces. Bulb life will be reduced.

If a halogen bulb is contaminated with oil, clean bulb with denatured alcohol or ammonia based solvent.

SPECIFICATIONS

EXTERIOR LAMPS

LAMP	BULB
Lowbeam Headlamp	9006XS
Highbeam Headlamp	9005XS
Center High Mounted Stop	W16W
Front Position	W5W
Side Repeater / Turn Signal	37R
Rear License Plate	W5W
Front Turn Signal	P214W
Tail/Stop	P27/7W
Rear Turn Signal	P27/7W
Back-up	P27/7W
Rear Fog Lamp	P27/7W

INTERIOR LAMPS

LAMP	BULB
ABS	PC194
Airbag	PC194
Ash Tray	161
Brake Warning System Indicator	PC194
Cigar Lighter	203
Climate Controls	203
Console Gear Selector	161
Dome Light	578
Glove Box	194
High Beam Indicator	PC194
Ignition Key	161
Instrument Cluster	PC194
Rear Cargo	912
Seat Belt Indicator	PC74
Service Engine Soon	PC194
Turn Signal Indicator	PC194
Underhood	105
Visor Vanity	6501966
Volts Indicator	PC74

