

LAMPS

TABLE OF CONTENTS

	page		page
LAMP DIAGNOSIS	1	LAMP SERVICE	12
HEADLAMP ALIGNMENT	4	LAMP SYSTEMS	16
LAMP BULB SERVICE	7	BULB APPLICATION	17

LAMP DIAGNOSIS

TABLE OF CONTENTS

	page		page
DESCRIPTION AND OPERATION		DIAGNOSIS AND TESTING	
DIAGNOSTIC PROCEDURES	1	HEADLAMP DIAGNOSIS	1
SAFETY PRECAUTIONS	1	FOG LAMP	3
DAYTIME RUNNING LAMP MODULE	1		

DESCRIPTION AND OPERATION

DIAGNOSTIC PROCEDURES

When a vehicle experiences problems with the headlamp system, verify the condition of the battery connections, fuses, charging system, headlamp bulbs, wire connectors, relay, high beam switch, dimmer switch, and headlamp switch. Refer to Group 8W, Wiring Diagrams for component locations and circuit information.

SAFETY PRECAUTIONS

WARNING: EYE PROTECTION SHOULD BE USED WHEN SERVICING GLASS COMPONENTS. PERSONAL INJURY CAN RESULT.

CAUTION: Do not touch the glass of halogen bulbs with fingers or other possibly oily surface, reduced bulb life will result.

Do not use bulbs with higher candle power than indicated in the Bulb Application table at the end of this group. Damage to lamp and/or Daytime Running Lamp Module can result.

Do not use fuses, circuit breakers or relays having greater amperage value than indicated on the fuse panel or in the Owners Manual.

When it is necessary to remove components to service another, it should not be necessary to apply excessive force or bend a component to remove it. Before damaging a trim component, verify hidden fasteners or captured edges are not holding the component in place.

DAYTIME RUNNING LAMP MODULE

PL vehicles built for use in Canada are equipped with a Daytime Running Lamp (DRL) system. Turn signal lamp circuitry always comes from the multi-function switch, and goes to the cluster connector, into the cluster, then back out to the front turn signal switch lamps. The Canadian cluster provides steady illumination of the front turn signal when the ignition switch is in the ON position. The DRL function may be inhibited by activating the turn signals, the hazard flashers, the headlamp switch, or park brake.

DIAGNOSIS AND TESTING

HEADLAMP DIAGNOSIS

Always begin any diagnosis by testing all of the fuses and circuit breakers in the system. Refer to Group 8W, Wiring Diagrams.

Conventional and halogen headlamps are interchangeable. It is recommended that they not be intermixed on a given vehicle.

DIAGNOSIS AND TESTING (Continued)

CONDITION	POSSIBLE CAUSES	CORRECTION
HEADLAMPS ARE DIM WITH ENGINE IDLING OR IGNITION TURNED OFF	<ol style="list-style-type: none"> 1. Loose or corroded battery cables. 2. Loose or worn generator drive belt. 3. Charging system output too low. 4. Battery has insufficient charge. 5. Battery is sulfated or shorted. 6. Poor lighting circuit Z1 - ground. 7. Both headlamp bulbs defective. 	<ol style="list-style-type: none"> 1. Clean and secure battery cable clamps and posts. 2. Adjust or replace generator drive belt. 3. Test and repair charging system, refer to Group 8A, 4. Test battery state-of-charge, refer to Group 8A. 5. Load test battery, refer to Group 8A. 6. Test for voltage drop across Z1 - ground locations, refer to Group 8W. 7. Replace both headlamp bulbs.
HEADLAMP BULBS BURN OUT FREQUENTLY	<ol style="list-style-type: none"> 1. Charging system output too high. 2. Loose or corroded terminals or splices in circuit. 	<ol style="list-style-type: none"> 1. Test and repair charging system, refer to Group 8A. 2. Inspect and repair all connectors and splices, refer to Group 8W.
HEADLAMPS ARE DIM WITH ENGINE RUNNING ABOVE IDLE*	<ol style="list-style-type: none"> 1. Charging system output too low. 2. Poor lighting circuit Z1 - ground. 3. High resistance in headlamp circuit. 4. Both headlamp bulbs defective. 	<ol style="list-style-type: none"> 1. Test and repair charging system, refer to Group 8A. 2. Test for voltage drop across Z1 - ground locations, refer to Group 8W. 3. Test amperage draw of headlamp circuit. 4. Replace both headlamp bulbs.
HEADLAMPS FLASH RANDOMLY	<ol style="list-style-type: none"> 1. Poor lighting circuit Z1 - ground. 2. High resistance in headlamp circuit. 3. Faulty headlamps switch circuit breaker. 4. Loose or corroded terminals or splices in circuit. 	<ol style="list-style-type: none"> 1. Test for voltage drop across Z1 - ground locations, refer to Group 8W. 2. Test amperage draw of headlamp circuit. Should not exceed 30 amps. 3. Replace headlamp switch. 4. Inspect and repair all connectors and splices, refer to Group 8W.
HEADLAMPS DO NOT ILLUMINATE	<ol style="list-style-type: none"> 1. No voltage to headlamps. 2. No Z1 - ground at headlamps. 3. Faulty headlamp switch. 4. Faulty headlamp dimmer (multi-function) switch. 5. Broken connector terminal or wire splice in headlamp circuit. 	<ol style="list-style-type: none"> 1. Repair open headlamp circuit, refer to Group 8W. 2. Repair circuit ground, refer to Group 8W. 3. Replace headlamp switch. 4. Replace multi-function switch. 5. Repair connector terminal or wire splice.
Headlamps stay on with key out (DRL equipped vehicles).	<ol style="list-style-type: none"> 1. Failed DRL function in cluster 	<ol style="list-style-type: none"> 1. Replace cluster.
Turn signals do not come ON.	<ol style="list-style-type: none"> 1. Wrong cluster installed. 2. Bit not set. 	<ol style="list-style-type: none"> 1. Replace cluster. 2. Set bit.

*Canada vehicles must have lamps ON.

DIAGNOSIS AND TESTING (Continued)

FOG LAMP

FOG LAMP DIAGNOSIS

CONDITION	POSSIBLE CAUSES	CORRECTION
<p>FOG LAMPS ARE DIM WITH ENGINE IDLING OR IGNITION TURNED OFF.</p>	<ol style="list-style-type: none"> 1. Loose or corroded battery cables. 2. Loose or worn generator drive belt. 3. Charging system output too low. 4. Battery has insufficient charge. 5. Battery is sulfated or shorted. 6. Poor lighting circuit Z1-ground. 	<ol style="list-style-type: none"> 1. Clean and secure battery cable clamps and posts. 2. Adjust or replace generator drive belt. 3. Test and repair charging system. Refer to Group 8A, 4. Test battery state-of -charge. Refer to Group 8A. 5. Load test battery. Refer to Group 8A. 6. Test for voltage drop across Z1-ground locations. Refer to Group 8W.
<p>FOG LAMP BULBS BURN OUT FREQUENTLY</p>	<ol style="list-style-type: none"> 1. Charging system output too high. 2. Loose or corroded terminals or splices in circuit. 	<ol style="list-style-type: none"> 1. Test and repair charging system. Refer to Group 8A. 2. Inspect and repair all connectors and splices. Refer to Group 8W.
<p>FOG LAMPS ARE DIM WITH ENGINE RUNNING ABOVE IDLE</p>	<ol style="list-style-type: none"> 1. Charging system output too low. 2. Poor lighting circuit Z1-ground. 3. High resistance in fog lamp circuit. 	<ol style="list-style-type: none"> 1. Test and repair charging system. Refer to Group 8A. 2. Test for voltage drop across Z1-ground locations. Refer to Group 8W. 3. Test amperage draw of fog lamp circuit.
<p>FOG LAMPS FLASH RANDOMLY</p>	<ol style="list-style-type: none"> 1. Poor lighting circuit Z1-ground. 2. High resistance in fog lamp circuit. 3. Faulty fog lamp switch. 4. Loose or corroded terminals or splices in circuit. 	<ol style="list-style-type: none"> 1. Test for voltage drop across Z1-ground locations. Refer to Group 8W. 2. Test amperage draw of fog lamp circuit. 3. Replace fog lamp switch. 4. Inspect and repair all connectors and splices. Refer to Group 8W.
<p>FOG LAMPS DO NOT ILLUMINATE</p>	<ol style="list-style-type: none"> 1. Blown fuse for fog lamp. 2. No Z1-ground at fog lamps. 3. Faulty fog lamp switch. 4. Broken connector terminal or wire splice in fog lamp circuit. 5. Defective or burned out bulb. 	<ol style="list-style-type: none"> 1. Replace fuse. Refer to Group 8W. 2. Repair circuit ground. Refer to Group 8W. 3. Replace fog lamp switch. 4. Repair connector terminal or wire splice. 5. Replace bulb.

HEADLAMP ALIGNMENT

TABLE OF CONTENTS

	page		page
DESCRIPTION AND OPERATION		ADJUSTMENTS	
HEADLAMP ALIGNMENT	4	HEADLAMP ADJUSTMENT USING	
SERVICE PROCEDURES		ALIGNMENT SCREEN	4
HEADLAMP ALIGNMENT PREPARATION	4	FOG LAMP ALIGNMENT	6

DESCRIPTION AND OPERATION

HEADLAMP ALIGNMENT

Headlamps and Fog Lamps should be aligned using the screen method which is provided in this section. **The preferred headlamp alignment setting is 0 for the left/right adjustment and 0 for the up/down adjustment.**

SERVICE PROCEDURES

HEADLAMP ALIGNMENT PREPARATION

- (1) Verify headlamp dimmer switch and high beam indicator operation.
- (2) Inspect and correct damaged or defective components that could interfere with proper headlamp alignment.
- (3) Verify proper tire inflation.
- (4) Clean headlamp lenses.
- (5) Verify that luggage area is not heavily loaded.
- (6) Fuel tank should be FULL. Add 2.94 kg (6.5 lbs.) of weight over the fuel tank for each estimated gallon of missing fuel.

ADJUSTMENTS

HEADLAMP ADJUSTMENT USING ALIGNMENT SCREEN

ALIGNMENT SCREEN PREPARATION

- (1) Position vehicle on a level surface perpendicular to a flat wall 7.62 meters (25 ft.) away from front of headlamp lens.
- (2) If necessary, tape a line on the floor 7.62 meters (25 ft.) away from and parallel to the wall (Fig. 1).

- (3) From the floor up 1.27 meters (5 ft.), tape a line on the wall at the center line of the vehicle. Sight along the center line of the vehicle (from rear of vehicle forward) to verify accuracy of the line placement.

- (4) Rock vehicle side-to-side three times to allow suspension to stabilize.

- (5) Jounce front suspension three times by pushing downward on front bumper and releasing.

- (6) A small dot is molded into each headlamp lens signifying the center of the headlamp. Measure the distance from the center of the headlamp to the floor. Transfer measurement to the alignment screen (with tape). Use this line for up/down adjustment reference.

- (7) Measure distance from the center line of the vehicle to the center of each headlamp being aligned. Transfer measurements to screen (with tape) to each side of vehicle center line. Use these lines for left/right adjustment reference.

HEADLAMP ADJUSTMENT

The PL headlamp low beam pattern has a distinct horizontal cutoff line which is used to visually align the headlamps. A properly aimed headlamp will have the horizontal cutoff line of the low beam pattern centered on the low beam pattern centered on the horizontal center of headlamp line. The side to side left edge of the low beam hot spot should be located 75 mm (3 inches) to the left of the headlamp center line (Fig. 1). The high beams on a vehicle with aero headlamps cannot be aligned. The high beam pattern should be correct when the low beams are aligned properly.

To adjust headlamp alignment, rotate alignment screws to achieve the specified low beam hot spot pattern.

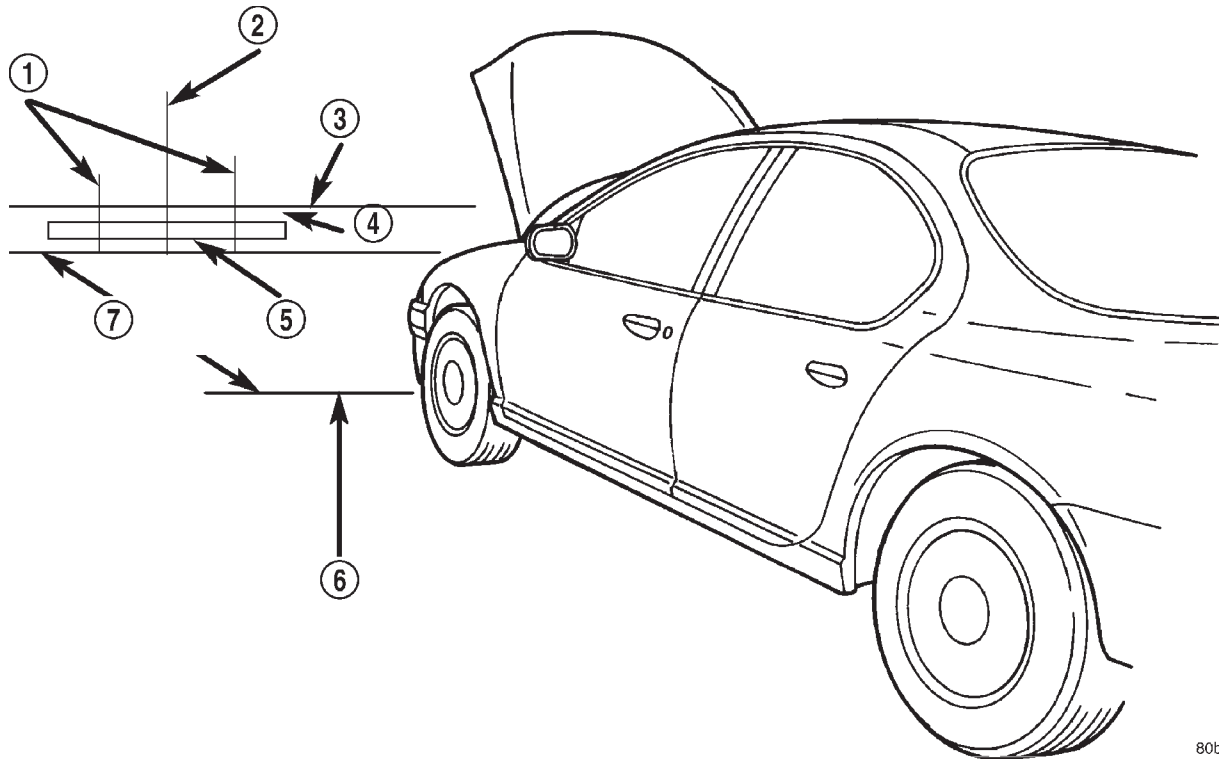
ADJUSTMENTS (Continued)

FOG LAMP ALIGNMENT

Prepare an alignment screen. Refer to Alignment Screen Preparation paragraph in this section. Disengage the wire connectors from the back of the headlamp bulbs to disable the headlamps. This will allow a more accurate projection reading of the fog lamps. Turn on the headlamp switch and actuate the fog

lamp switch. A properly aligned fog lamp will project a pattern on the alignment screen 100 mm (4 in.) below the fog lamp center line and straight ahead.

To adjust fog lamp alignment, rotate the alignment screen located on the bottom of the fog lamp from under the fascia to achieve the specified pattern position. (Fig. 2).



80bcea91

Fig. 2 Lamp Alignment Screen

- 1 - CENTER LINE OF FOG LAMPS
- 2 - CENTER LINE VEHICLE
- 3 - FLOOR TO CENTER OF FOG LAMP
- 4 - 4 inches

- 5 - FOG LAMP HOT SPOT
- 6 - FRONT OF FOG LAMP
- 7 - 7.62 meters
(25 feet)

LAMP BULB SERVICE

TABLE OF CONTENTS

	page		page
DESCRIPTION AND OPERATION		LICENSE PLATE LAMP BULB	10
BULB	7	UNDERHOOD LAMP BULB	10
REMOVAL AND INSTALLATION		REAR CARGO LAMP BULB	10
HEADLAMP BULB	7	DOMELAMP BULB	10
FOG LAMP BULB	8	TRANSAXLE RANGE INDICATOR LAMP BULB ..	10
PARK AND TURN SIGNAL LAMP BULB	8	GLOVE BOX LAMP BULB	11
FRONT SIDE MARKER LAMP BULB	9	FLOOR CONSOLE LAMP BULB	11
CENTER HIGH MOUNTED STOP LAMP BULB	9	VISOR VANITY LAMP BULB	11
TAIL, STOP, BACK-UP AND TURN SIGNAL LAMP BULB	9		

DESCRIPTION AND OPERATION

BULB

The electric light bulb is a source of electromagnetic radiation which generates light. Vehicles use many different types of bulbs:

- Headlamp bulb
- Fog Lamp bulb
- Tail Lamp bulb
- Stop Lamp bulb
- Turn Signal bulb
- Back up Lamp bulb
- Dome Lamp bulb
- Transaxle Range Indicator Lamp bulb (PRNDL)
- Glove Box Lamp bulb
- Floor Console Lamp bulb
- Rear Cargo Lamp bulb
- Visor Vanity Lamp bulb
- Underhood Lamp bulb
- etc.

REMOVAL AND INSTALLATION

HEADLAMP BULB

REMOVAL

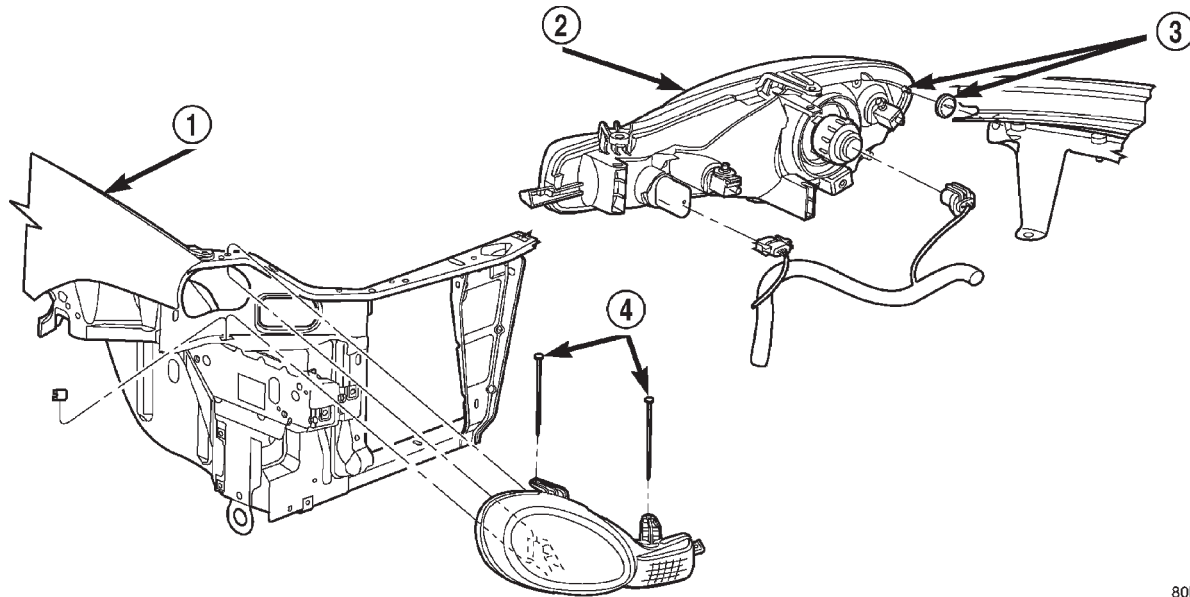
- (1) Release hood latch and open hood.
- (2) Remove screws attaching headlamp module to upper crossmember.
- (3) Remove headlamp module from vehicle.
- (4) Disconnect wire connector from back of headlamp bulb.
- (5) Rotate retaining ring counterclockwise one quarter turn.
- (6) Remove retaining ring from headlamp module.
- (7) Remove bulb from headlamp module (Fig. 1).

INSTALLATION

CAUTION: Do not touch the glass of halogen bulbs with fingers or other possibly oily surface, reduced bulb life will result.

- (1) Install bulb into headlamp module.
- (2) Install retaining ring to headlamp module.
- (3) Rotate retaining ring clockwise one quarter turn.
- (4) Connect wire connector to the back of headlamp bulb.
- (5) Place headlamp module in position.
- (6) Install screws attaching headlamp module to upper crossmember.
- (7) Close hood.

REMOVAL AND INSTALLATION (Continued)



80bbc2c1

Fig. 1 Headlamp Bulb

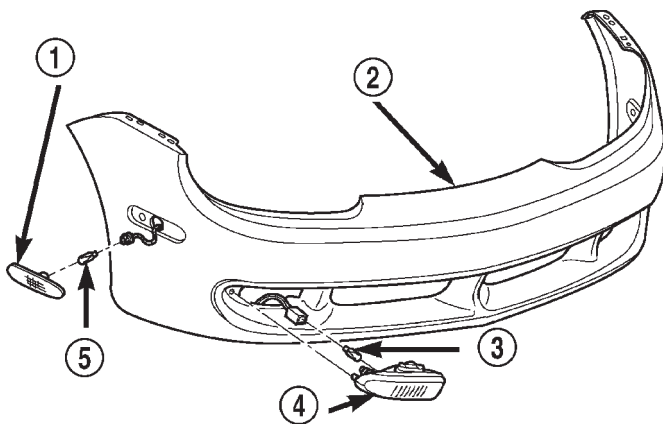
- 1 - FENDER
2 - HEADLAMP MODULE

- 3 - HEADLAMP TO FENDER RETAINER
4 - JACKSCREWS

FOG LAMP BULB

REMOVAL

- (1) Remove nuts attaching fog lamp to fascia.
- (2) Disconnect wire connector from fog lamp.
- (3) Remove bulb from lamp (Fig. 2).



80bbdaab

Fig. 2 Fog Lamp

- 1 - FRONT SIDE MARKER
2 - FRONT FASCIA
3 - BULB
4 - FOG LAMP
5 - BULB

INSTALLATION

CAUTION: Do not touch the glass of halogen bulbs with fingers or other possibly oily surface, reduced bulb life will result.

- (1) Install bulb into lamp.
- (2) Connect wire connector to the fog lamp.
- (3) Install nuts attaching fog lamp to fascia.

PARK AND TURN SIGNAL LAMP BULB

REMOVAL

- (1) Release hood latch and open hood.
- (2) Remove screws attaching headlamp module to upper crossmember.
- (3) Remove headlamp module from vehicle.
- (4) Disconnect wire connector from back of park and turn signal lamp bulb.
- (5) Remove bulb from headlamp module (Fig. 1).

INSTALLATION

- (1) Install bulb into headlamp module.
- (2) Connect wire connector to the back of park and turn signal lamp bulb.
- (3) Place headlamp module in position.
- (4) Install screws attaching headlamp module to upper crossmember.
- (5) Close hood.

REMOVAL AND INSTALLATION (Continued)

FRONT SIDE MARKER LAMP BULB

REMOVAL

- (1) Reach behind front bumper fascia forward of front wheel and remove attaching clip from the front side marker lamp.
- (2) Remove bulb from socket (Fig. 2).

INSTALLATION

- (1) Install bulb into socket.
- (2) Install attaching clip to the front side marker lamp.

CENTER HIGH MOUNTED STOP LAMP BULB

REMOVAL

- (1) Release deck lid latch and open deck lid.
- (2) Remove bulb socket from center high mounted stop lamp.
- (3) Pull bulb from socket (Fig. 3).

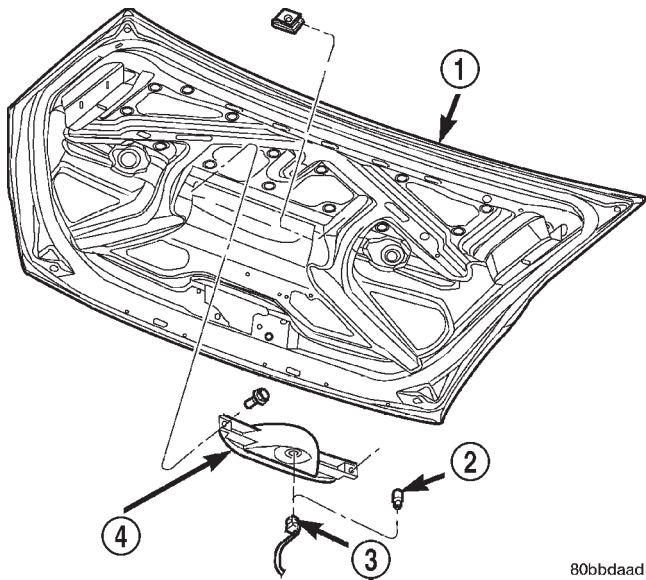


Fig. 3 CHMSL Lamp

- 1 - DECKLID
- 2 - CHMSL LAMP BULB
- 3 - LAMP SOCKET
- 4 - CHMSL LAMP HOUSING

INSTALLATION

- (1) Install bulb into socket.
- (2) Install bulb socket into center high mounted stop lamp.
- (3) Close deck lid.

TAIL, STOP, BACK-UP AND TURN SIGNAL LAMP BULB

REMOVAL

- (1) Release deck lid latch and open deck lid.
- (2) Move trunk lining as necessary from rear closure panel to gain access to back of tail lamp.
- (3) Remove bulb socket from tail lamp through openings in rear closure panel (Fig. 4).
- (4) Pull bulb from socket.

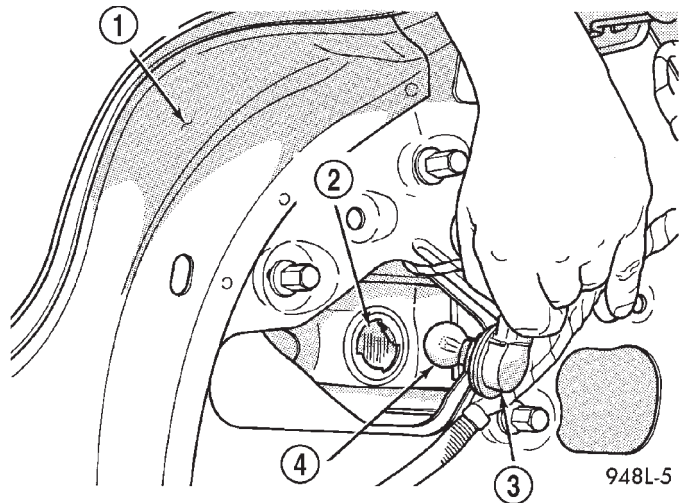


Fig. 4 Tail and Stop Lamp Bulb

- 1 - REAR CLOSURE PANEL
- 2 - TAIL LAMP
- 3 - SOCKET
- 4 - BULB

INSTALLATION

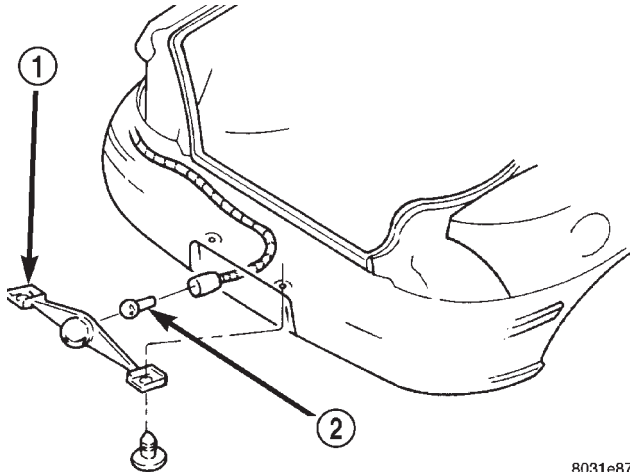
- (1) Push bulb into socket.
- (2) Install bulb socket into tail lamp through openings in rear closure panel.
- (3) Reposition trunk lining to rear closure panel.
- (4) Close deck lid.

REMOVAL AND INSTALLATION (Continued)

LICENSE PLATE LAMP BULB

REMOVAL

- (1) Remove screws attaching license plate lamp to rear bumper (Fig. 5).
- (2) Remove lamp from bumper.
- (3) Remove bulb socket from lamp.
- (4) Pull bulb from socket.

**Fig. 5 License Plate Lamp**

- 1 - LICENSE PLATE LAMP
2 - BULB

8031e874

INSTALLATION

- (1) Install bulb into socket.
- (2) Install bulb socket into lamp.
- (3) Place lamp in position.
- (4) Install screws attaching license plate lamp to rear bumper.

UNDERHOOD LAMP BULB

REMOVAL

- (1) Remove lens.
- (2) Remove bulb hood lamp socket (Fig. 6).

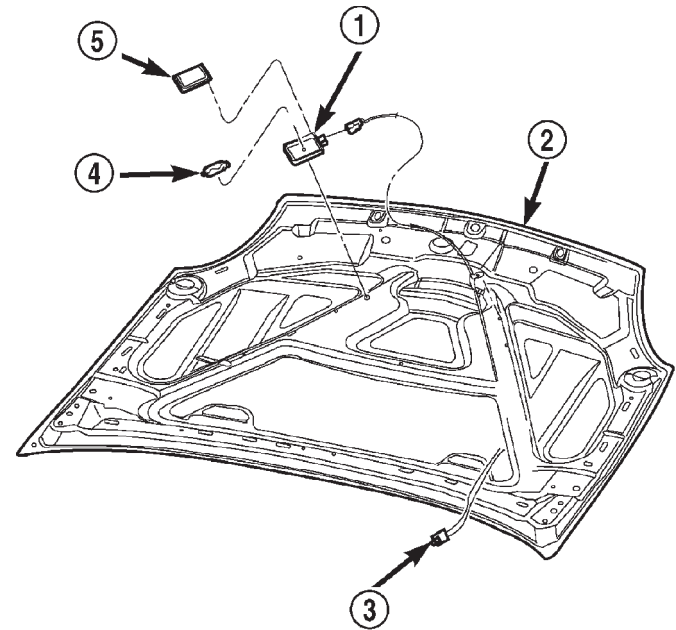
INSTALLATION

- (1) Install bulb in the hood lamp socket.
- (2) Install lens.

REAR CARGO LAMP BULB

REMOVAL

- (1) Open decklid and locate lamp in the rear shelf panel.
- (2) Insert a trim stick or small flat blade between the lamp lens and rear shelf reinforcement panel.
- (3) Pry the lamp lens downward.
- (4) Pull bulb from socket.



80bbdaa9

Fig. 6 Hood Lamp

- 1 - UNDER HOOD LAMP SWITCH
2 - HOOD
3 - LAMP WIRE CONNECTOR
4 - LAMP
5 - LENS

INSTALLATION

- (1) Push bulb into socket.
- (2) Position the lamp in the rear shelf reinforcement panel and snap into place.

DOME LAMP BULB

REMOVAL

- (1) Insert a trim stick between the dome lamp bezel and dome lamp lens.
- (2) Carefully swing down one side the lamp lens.
- (3) Remove bulb from lamp socket.

INSTALLATION

- (1) Push bulb in socket and snap into place.
- (2) Position lens on lamp and snap into place.

TRANSAXLE RANGE INDICATOR LAMP BULB

REMOVAL

- (1) Remove floor console.
- (2) Remove wiring and socket from Transaxle Range Indicator.
- (3) Remove bulb from socket.

REMOVAL AND INSTALLATION (Continued)

INSTALLATION

- (1) Push bulb in socket and snap into place.
- (2) Install floor console.

GLOVE BOX LAMP BULB**REMOVAL**

- (1) Open glove box door.
- (2) Pull downward on lamp/switch assembly to disengage tabs from instrument panel.
- (3) Pull bulb from socket.

INSTALLATION

- (1) Push bulb into socket.
- (2) Place lamp/switch assembly into position.
- (3) Push lamp/switch assembly to lock tabs.
- (4) Check lamp operation, and close glove door.

FLOOR CONSOLE LAMP BULB**REMOVAL**

- (1) Using a flat bladed tool, slide it between the lamp and instrument panel to disengage tabs.

- (2) Remove bulb from lamp socket.

INSTALLATION

- (1) Install bulb into socket.
- (2) Place lamp into position.
- (3) Push lamp to lock tabs.
- (4) Check lamp operation.

VISOR VANITY LAMP BULB**REMOVAL**

- (1) Lower visor.
- (2) Insert a small flat bladed tool between the lamp lens and lamp.
- (3) Carefully pry lens outward.
- (4) Remove bulb from socket.

INSTALLATION

- (1) Position bulb in socket and snap into place.
- (2) Position lens on lamp and snap into place.

LAMP SERVICE

TABLE OF CONTENTS

	page		page
DESCRIPTION AND OPERATION		TAIL, STOP AND TURN SIGNAL LAMP	14
LAMP ASSEMBLIES	12	LICENSE PLATE LAMP	14
REMOVAL AND INSTALLATION		UNDERHOOD LAMP	14
HEADLAMP MODULE	12	REAR CARGO LAMP	15
FOG LAMP	13	DOVE LAMP	15
PARK AND TURN SIGNAL LAMP BULB	13	GLOVE BOX LAMP BULB	15
FRONT SIDE MARKER LAMP	13	FLOOR CONSOLE LAMP BULB	15
CENTER HIGH MOUNTED STOP LAMP (CHMSL)	14	VISOR VANITY LAMP	15

DESCRIPTION AND OPERATION

LAMP ASSEMBLIES

The lamp assemblies or modules generally consist of a housing, reflector(s) and lens that directs a light source. Vehicles use many different types of lamps:

- Headlamp
- Fog Lamp
- Tail Lamp
- Stop Lamp
- Turn Signal Lamp
- Back up Lamp
- Dome Lamp
- Transaxle Range Indicator Lamp (PRNDL)
- Glove Box Lamp
- Floor Console Lamp
- Rear Cargo Lamp
- Visor Vanity Lamp
- Underhood Lamp
- etc.

REMOVAL AND INSTALLATION

HEADLAMP MODULE

REMOVAL

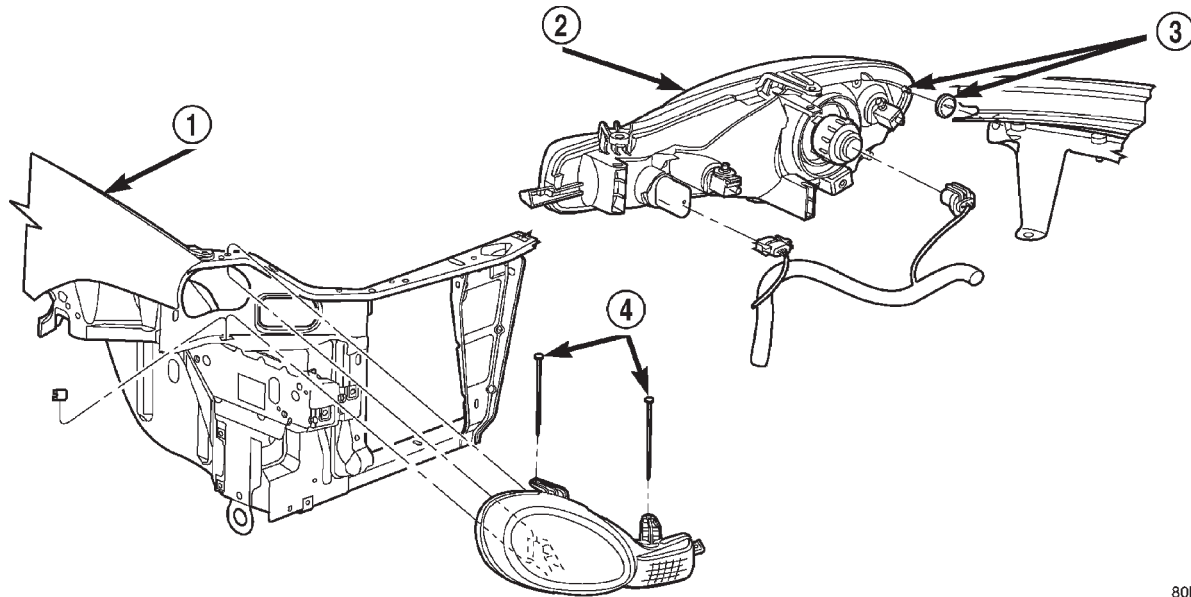
- (1) Release hood latch and open hood.
- (2) Remove screws attaching headlamp module to upper crossmember.
- (3) Remove headlamp module from vehicle.
- (4) Disconnect wire connectors from back of headlamp module.
- (5) Remove headlamp module (Fig. 1).

INSTALLATION

CAUTION: Do not touch the glass of halogen bulbs with fingers or other possibly oily surface, reduced bulb life will result.

- (1) Connect wire connectors to the back of headlamp module.
- (2) Place headlamp module in position.
- (3) Install screws attaching headlamp module to upper crossmember.
- (4) Close hood.

REMOVAL AND INSTALLATION (Continued)



80bbc2c1

Fig. 1 Headlamp Module

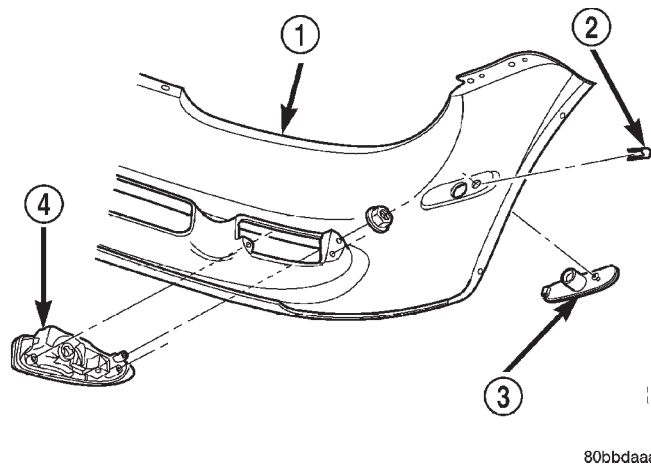
- 1 - FENDER
- 2 - HEADLAMP MODULE

- 3 - HEADLAMP TO FENDER RETAINER
- 4 - JACKSCREWS

FOG LAMP

REMOVAL

- (1) Remove nuts attaching fog lamp to fascia.
- (2) Disconnect wire connector from the fog lamp.
- (3) Remove lamp from fascia (Fig. 2).



80bbdaaa

Fig. 2 Fog Lamp

- 1 - FRONT FASCIA
- 2 - ATTACHING CLIP
- 3 - FRONT SIDE MARKER
- 4 - FOG LAMP

INSTALLATION

CAUTION: Do not touch the glass of halogen bulbs with fingers or other possibly oily surface, reduced bulb life will result.

- (1) Place lamp into position.
- (2) Connect wire connector to the fog lamp.
- (3) Install nuts attaching fog lamp to fascia.

PARK AND TURN SIGNAL LAMP BULB

Refer to Headlamp Module removal procedures.

FRONT SIDE MARKER LAMP

REMOVAL

- (1) Reach behind front bumper fascia forward of front wheel and remove attaching clip from the front side marker lamp.
- (2) Remove bulb from socket (Fig. 2).
- (3) Remove lamp.

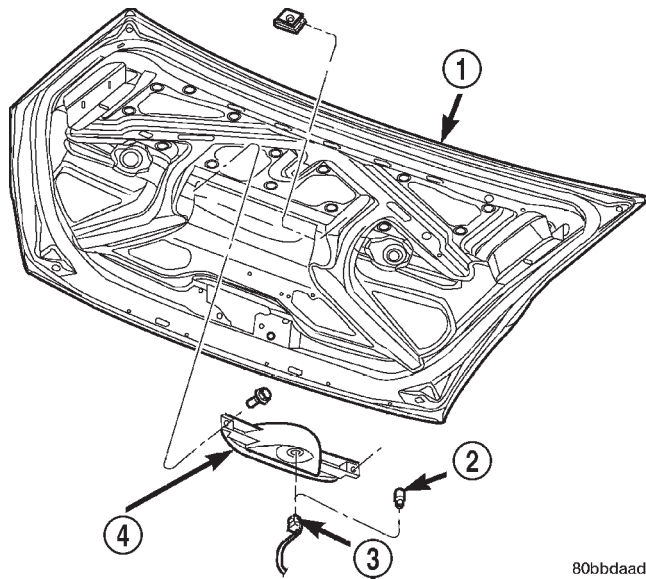
INSTALLATION

- (1) Place lamp into position.
- (2) Install bulb into socket.
- (3) Install attaching clip to the front side marker lamp.

REMOVAL AND INSTALLATION (Continued)

**CENTER HIGH MOUNTED STOP LAMP
(CHMSL)****REMOVAL**

- (1) Release deck lid latch and open deck lid.
- (2) Remove socket and bulb from lamp.
- (3) Remove screws attaching center high mounted stop lamp to deck lid (Fig. 3).
- (4) Remove CHMSL from deck lid.

**Fig. 3 Center High Mounted Stop Lamp**

- 1 - DECKLID
- 2 - CHMSL LAMP BULB
- 3 - LAMP SOCKET
- 4 - CHMSL LAMP HOUSING

INSTALLATION

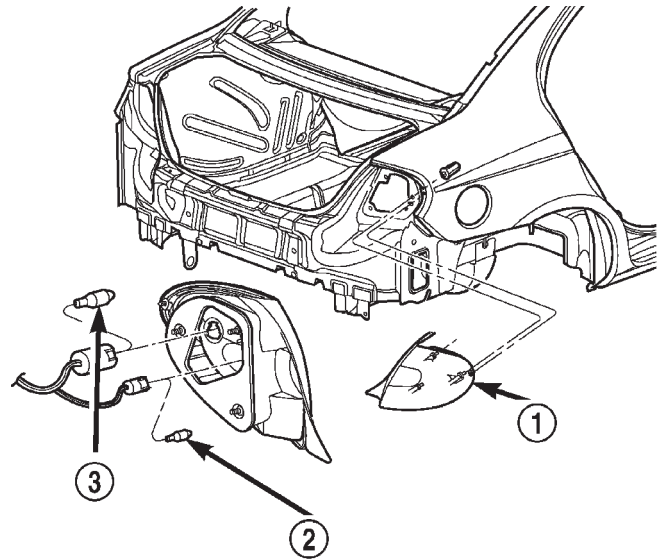
- (1) Place CHMSL into position on deck lid.
- (2) Install screws attaching center high mounted stop lamp to deck lid.
- (3) Install socket and bulb from lamp.
- (4) Close deck lid.

TAIL, STOP AND TURN SIGNAL LAMP**REMOVAL**

- (1) Release deck lid latch and open deck lid.
- (2) Move trunk lining as necessary from rear closure panel to gain access to back of tail lamp.
- (3) Remove nuts attaching tail lamp to the rear closure panel (Fig. 4).
- (4) Remove lamp housing from vehicle.

INSTALLATION

- (1) Place lamp housing into position.
- (2) Install nuts attaching tail lamp to the rear closure panel.

**Fig. 4 Tail and Stop Lamp**

- 1 - TAIL/STOP/
TURN SIGNAL BACK UP/SIDE MARKER/
LAMP HOUSING
- 2 - BACK UP LAMP BULB
- 3 - TAIL/STOP/
TURN SIGNAL/ SIDE MARKER LAMP BULB

- (3) Reposition trunk lining to rear closure panel.
- (4) Close deck lid.

LICENSE PLATE LAMP**REMOVAL**

- (1) Remove screws attaching license plate lamp to rear bumper (Fig. 5).
- (2) Remove lamp from bumper.
- (3) Remove bulb socket from lamp.
- (4) Remove lamp.

INSTALLATION

- (1) Install bulb socket into lamp.
- (2) Place lamp in position.
- (3) Install screws attaching license plate lamp to rear bumper.

UNDERHOOD LAMP**REMOVAL**

- (1) Open and support hood.
- (2) Remove lens lamp.
- (3) Remove lamp bulb.
- (4) Disconnect lamp wire connector.
- (5) Remove the screw attaching lamp to hood.
- (6) Remove lamp from vehicle.

REMOVAL AND INSTALLATION (Continued)

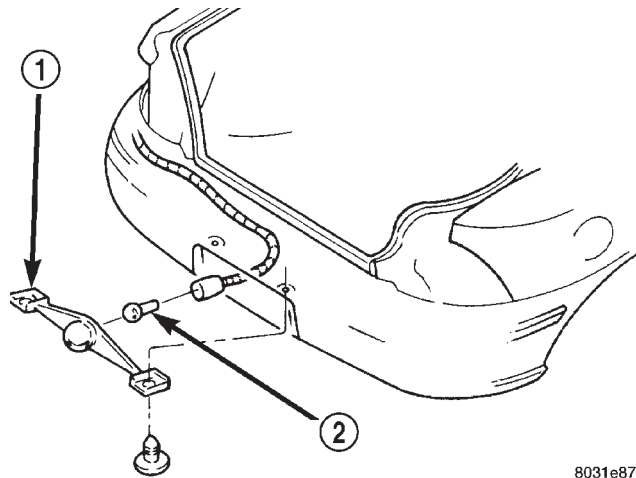


Fig. 5 License Plate Lamp

- 1 - LICENSE PLATE LAMP
- 2 - BULB

INSTALLATION

- (1) Position lamp on hood and install screw.
- (2) Connect lamp wire connector.
- (3) Install lamp bulb.
- (4) Install lens lamp.
- (5) Close hood.

REAR CARGO LAMP

REMOVAL

- (1) Insert a trim stick or small flat blade between the lamp lens and rear shelf reinforcement panel.
- (2) Pry the lamp lens downward.
- (3) Disconnect wire connector.
- (4) Remove lamp from vehicle.

INSTALLATION

- (1) Place lamp into position.
- (2) Connect wire connector.
- (3) Install lamp lens.

DOME LAMP

REMOVAL

- (1) Insert a trim stick between the dome lamp bezel and dome lamp lens. Carefully pry down on one side of the lamp lens.

- (2) Carefully pull down on lamp lens to remove lamp from headliner.
- (3) Disconnect wire connector.
- (4) Remove lamp from vehicle.

INSTALLATION

- (1) Place lamp into position.
- (2) Connect wire connector.
- (3) Install dome lamp and lens.

GLOVE BOX LAMP BULB

REMOVAL

- (1) Open glove box door.
- (2) Pull downward on lamp/switch assembly to disengage tabs from instrument panel.
- (3) Pull bulb from socket.
- (4) Disconnect wire connector from lamp and remove glove box lamp/switch.

INSTALLATION

- (1) Push bulb into socket.
- (2) Place lamp/switch assembly into position.
- (3) Connect wire connector to the lamp/switch.
- (4) Push lamp/switch assembly to lock tabs.
- (5) Check lamp operation, and close glove door.

FLOOR CONSOLE LAMP BULB

REMOVAL

- (1) Using a flat bladed tool, slide it between the lamp and instrument panel to disengage tabs.
- (2) Remove bulb from lamp socket.

INSTALLATION

- (1) Install bulb into socket.
- (2) Place lamp into position.
- (3) Push lamp to lock tabs.
- (4) Check lamp operation.

VISOR VANITY LAMP

The visor vanity lamp is incorporated in the visor assembly. Replace the visor if the lamp has failed.

LAMP SYSTEMS

DESCRIPTION AND OPERATION

DAYTIME RUNNING LAMP MODULE

PL vehicles built for use in Canada are equipped with a Daytime Running Lamp (DRL) system. The DRL function is provided by the cluster. The DRL Module is an integral part of the instrument panel cluster.

BULB APPLICATION

TABLE OF CONTENTS

	page		page
SPECIFICATIONS		INTERIOR LAMPS	17
EXTERIOR LAMPS	17		

SPECIFICATIONS

EXTERIOR LAMPS

CAUTION: Do not use bulbs that have a higher candle power than the bulb listed in the chart below. Damage to lamp can result. Do not touch halogen bulbs with fingers or other oily surfaces. Bulb life will be reduced.

LAMP	BULB
Back Up Lamp	3157 – P27/7W
Center High Mounted Stop Lamp (CHMSL)	W16W
Front Fog Lamp	GE 881
Front Park/Turn Signal Lamp	3157NA
Front Side Marker Lamp	168
Headlamp	9007
License Plate Lamp	168
Rear Tail/Stop/ Turn Signal Lamp	3157 – P27/7W

INTERIOR LAMPS

Service procedures for most of the lamps in the instrument panel, Instrument cluster and switches are located in Group 8E, Instrument Panel and Gauges.

CAUTION: Do not use bulbs that have a higher candle power than the bulb listed in the chart below. Damage to lamp can result.

LAMP	BULB
ABS Indicator	LED
Airbag Indicator	LED
Brake System Warning Indicator	LED
Climate Controls	LED
Console Gear Selector W/Auto	PC194
Dome Lamp	T579
Floor Console Lamp	T37
Front Fog Lamp Indicator	LED
Glove Compartment	T194
High Beam Lamp Indicator	PC194
Ignition Lock	161
Instrument Cluster Illumination	PC194
Low Fuel Indicator	LED
Low Oil Pressure Indicator	LED
Rear Cargo	T906
Seat Belt Indicator	LED
Security Alarm Indicator	LED
Malfunction Indicator Light	LED
TRAC OFF Indicator	LED
Turn Signal Indicator	PC194
Underhood	105
Visor Vanity	6501966
Voltage Indicator	LED

All the inside bulbs brass or glass wedge base. Aluminum base bulbs are not approved and should not be used for replacement.

