

# 2000 DODGE-PLYMOUTH-CHRYSLER NEON (PL)

## PARTS CATALOG

ILLUSTRATION AND TEXT  
(CHASSIS - BODY - TRIM)

May 2002

**SUPERSEDES**  
November 2001  
**ENGLISH**



Jeep

CHRYSLER • PLYMOUTH • DODGE • JEEP

**THE MOPAR DIFFERENCE**

## INDEX TO INFORMATION PAGES

The use of this Parts Catalog and the arrangement of information herein is explained in the General Information Section as indexed below.

Abbreviations .....	INF-13
Alphabetic Index .....	INF-10
Body Code Plate Interpretation .....	INF-12
Catalog Groups - Titles & Contents .....	INF-2
How to Use This Catalog and Locate Parts .....	INF-8
Illustration Index .....	INF-10
Illustration Numbering Index .....	INF-9
Index.....	INF-1
Logical Illustration Index.....	INF-3
Logical Illustrations .....	INF-9
Numerical Index .....	INF-10
Page Numbering.....	INF-9
Part Packages .....	INF-10
Standard Parts.....	INF-10
Symbols Used in this Catalog.....	INF-9
VIN Plate Decoding Information .....	INF-11

## CATALOG GROUPS - TITLES & CONTENT

Group	Content
001	Component Parts for Mopar Accessories
002	Front Suspension & Drive
004	Parking Brake
005	Service Brakes
006	Clutch
007	Cooling
008	Electrical
009	Engine Mounting
011	Exhaust
013	Frames and Bumpers
014	Fuel
017	Rear Suspension
019	Steering
022	Wheels, Covers and Jacks
024	Air Conditioning & Heater
025	Emission Systems
08A	Instrument Panel and Radios and Consoles
1.8L	Engine 1.8L Four Cylinder
2.0L	Engine 2.0L Four Cylinder
21P	Speedometer Pinions
23D	Wiper/Lock Cylinder and Keys
31TH	Automatic Transaxle 3 Speed
A578	Manual Transaxle 5 Speed
DPL	Doors and Related Parts
EPL	Exterior Ornamentation
IPL	Interior Trim
SPL	Body Sheet Metal Except Doors

## LOGICAL ILLUSTRATION INDEX

Group	Logical Illustration	Logical Illustration Name
001	100	Audio & Electronics
001	200	Carriers & Cargo Hauling
001	300	Driving Convenience
001	600	Fog Lights & Electrical
001	900	Security
002	100	Front Suspension
002	200	Front Axle Drive Shafts
004	100	Parking Brake Lever and Cables
005	100	Front Brakes
005	200	Rear Brakes
005	300	Power Brake Booster
005	400	Brake Master Cylinder
005	500	Brake Lines and Hoses
005	600	Brake Pedals
006	100	Clutch
006	200	Clutch Housing
006	300	Clutch Controls
006	400	Clutch Pedals
007	100	Radiator and Related Parts
007	200	Water Pump and Related Parts
007	300	Tank, Coolant Engine
007	400	Pulleys and Related Parts
007	500	Drive Belts
007	600	Lines, Transmission Oil Cooler
007	700	Grilles
008	100	Starters
008	1000	Battery Tray and Cables
008	1100	Lamps - Front, Rear and Courtesy
008	1200	Wiring-Engine & Related Parts
008	1300	Wiring-Headlamp to Dash
008	1400	Wiring-Instrument Panel
008	1500	Wiring-Body & Accessories
008	1600	Wiring Repair

008	1900	Spark Plugs-Cables-Coils
008	200	Alternators
008	400	Modules
008	500	Relays
008	600	Sensors
008	700	Single Board Engine Controllers
008	800	Switches
008	900	Horns
009	100	Engine Mounting
011	100	Exhaust System
011	200	Heat Shields
013	100	Frames
013	200	Front Bumper and Fascia
013	300	Rear Bumper and Fascia
014	100	Tank, Fuel
014	1000	Speed Control
014	1100	Accelerator Pedal
014	200	Fuel Tank Filler Tube
014	300	Fuel Lines
014	400	Fuel Rail
014	500	Fuel Pump and Sending Unit
014	600	Throttle Body
014	700	Throttle Controls
014	800	Air Cleaner
014	900	Air Intake System
017	100	Rear Suspension
019	100	Steering Wheel
019	200	Steering Column
019	300	Steering Gear
019	400	Steering Linkage
019	500	Power Steering Pump
019	700	Power Steering Hoses
022	100	Wheels and Hardware
022	200	Wheel Covers and Center Caps
022	300	Jack Stowage
024	100	Air Conditioner and Heater Units

024	200	Air Conditioner and Heater Plumbing
024	300	Air Conditioner and Heater Controls
024	400	Air Conditioning Compressor
024	500	Air Conditioning Compressor Mounting
024	600	Air Ducts and Outlets
025	100	Emission Labels
025	300	Vacuum Canister
025	400	Emission Harness
08A	100	Instrument Panel
08A	200	Instrument Panel Cluster
08A	300	Radio, Antenna, and Speakers
08A	400	Consoles
1.8L	100	Engine Identification
1.8L	200	Cylinder Head
1.8L	300	Cylinder Block
1.8L	400	Crankshaft, Piston and Drive Plate
1.8L	500	Camshafts & Valve
1.8L	600	Timing Belt and Cover
1.8L	700	Engine Oiling
1.8L	800	Manifolds
1.8L	900	Crankcase Ventilation
2.0L	100	Engine Identification
2.0L	200	Cylinder Head
2.0L	300	Cylinder Block
2.0L	400	Crankshaft, Piston, and Drive Plate
2.0L	500	Camshafts & Valves
2.0L	600	Timing Belt and Cover
2.0L	700	Engine Oiling
2.0L	800	Manifolds
2.0L	900	Crankcase Ventilation
21P	100	Speedometer Pinions
23D	100	Lock Cylinders and Keys
23D	200	Windshield Wiper and Washer Systems
31TH	100	Transaxle Assembly
31TH	1200	Gearshift Controls
31TH	200	Case and Extension

31TH	300	Oil Pump
31TH	400	Gear Train
31TH	500	Bands, Reverse and Kickdown
31TH	600	Governor
31TH	700	Valve Body
31TH	800	Differential
A578	100	Transaxle Assembly
A578	1200	Gearshift Controls
A578	200	Case and Extension
A578	400	Gear Train
A578	800	Differential
A578	900	Fork and Rails
DPL	100	Front Door
DPL	200	Rear Door
DPL	500	Exterior Mirror
DPL	600	Weatherstrips and Seals
EPL	100	Nameplates
EPL	200	Moldings and Ornamentation
IPL	100	Headliner and Visor
IPL	200	Panel, Moldings, Scuff Plates
IPL	300	Carpet
IPL	400	Door Trim Panels
IPL	500	Front Seats and Attaching Parts
IPL	600	Rear Seats-Folding
IPL	700	Seat Belts-Front and Rear
IPL	800	Adjusters, Covers, Shields, and Risers
SPL	1100	Roof Panels
SPL	1200	Sunroof
SPL	1300	Deck Lid
SPL	1400	Rear Shelf Panel
SPL	1600	Luggage Rack
SPL	200	Floor Pans
SPL	300	Plugs
SPL	400	Front Fenders
SPL	500	Hood and Hood Release
SPL	600	Cowl and Dash Panel

SPL	700	Glass and Mirror
SPL	800	Aperture Panel
SPL	900	Quarter Panel

## HOW TO USE THIS CATALOG AND LOCATE PARTS

**This Catalog is divided into Part Groups in which illustrations for parts of a similar function and/or location are published. The Group contents listing on the next page shows the type of parts contained in each group. Tabs are provided or available to separate each group.**

Several methods may be used to locate a specific part:

- Option 1:** From the Group Contents listing. Select the group which would most logically contain the part to be found. Open the catalog to the beginning of that group. The first page of the group will contain the part. Turn to the selected illustration and locate the part by reviewing the illustration item numbers and associated text information following the illustration.
- Option 2:** If the "noun" name of the part you seek is known, an alphabetical index of Nouns and illustration titles is provided to assist in finding the part. Several keys may be found in this index.

RESERVOIR, Power Steering Oil Pump Group 19	Group Reference
ALTERNATOR All Engines 8-210	Illustration Reference
BELT, Front Seat Imdl/710/3	Illustration/Item Reference

Group by Model _____	}
Illustration Number _____	
Item _____	

- Option 3:** If the part number is known but the applications need to be determined, refer to the numerical index. This index shows the group, illustration number and each part listed in the catalog. Multiple references mean the part is listed more than once.
- Option 4:** Other options such as group identifiers exist in these catalogs. For Example, Group 23 Body has been broken in sections, i.e. 23A Sheet Metal now is S(model code). Example: SGS for model GS. Group 23C Doors now is D(model code) ex. DGS. Group 23 Exterior Ornamentation now is E(model code). This same logic applies to the Interior Trim Section (ex. IGS).

The Group 9 Engine sections in prior parts catalogs had been numbered 9A, 9B, 9C, etc. There was no real meaning to this numbering scheme. In this new MACS produced catalog the group numbering scheme is as follows: 2.5LD means 2.5 Liter Diesel Engine; 2.0L means 2.0 Liter Four Cylinder Gas Engine; 3.3L6T means 3.3 Liter Six Cylinder Transverse Mounted Engine; and 3.8L means 3.8 Liter Six Cylinder Engine. Also note that Engine Mounting parts are located in Group 9.

## PAGE NUMBERING

Two-part page numbers are used throughout this catalog. The first part of the page designation indicates one major group or section. The second part indicates the actual page number in the group. For example:

2-1 indicates Group 2, Front Suspension, Page 1  
3-4 indicates Group 3, Axle Rear, Page 4

In the maintenance of the Loose Leaf Parts Catalog Revision Service, it may become necessary to add information beyond the capacity of the page. In this event, an "A" page will be used. For example, if it becomes necessary, because of change, to add several part numbers to page 2-1 and space does not permit the addition, you will be given Page 2-1A. Page 2-1A should be filed immediately following Page 2-1.

Figure and Item Numbers are also commonly used to identify locations in the Catalog, i.e., 14-910/8 refers to Group 14, illustration 910, Item Number 8. Illustration Numbers are always ascending sequential within the Groups.

## SYMBOLS USED IN THIS CATALOG

The Following symbols are commonly used with Part Number and Quantity information in this Catalog:

AR - Indicates the quantity required may vary or is to be determined by the user.

PAR - Indicates "Paint As Required"

BLANK - Indicates "All Condition"

- = "Not Illustrated"

## LOGICAL ILLUSTRATIONS

Refer to Illustration in front of each group. This will give assistance to as how each group is broken down and what Specific Illustration should be referenced.

## ILLUSTRATION NUMBERING INDEX

Illustration numbers in this Catalog are Group standards. This indicates group and consistent content. EXAMPLE: 8-100 is a Logical Illustration for Starters. 8-101 to 8-199 are Specific Illustrations used for Starters for all Catalogs. 8-200 will contain Alternators for all Catalogs and so on. Always refer to group index in front of each group.

## ILLUSTRATION INDEX

This index is a compilation of catalog parts description data with reference to illustrations, figures and key numbers as shown:

Fender ie; Model.....Group: S(Model) .....Illustration 410  
(Fender is located in Sheet Metal Section (S) in Illustration 410)

The first page of each group contains a listing of all illustrations and group breakdown within that group. Also refer to illustrations alphabetically listed in information section.

## ALPHABETIC INDEX

This index is a compilation of catalog parts description data with a reference to the location of the item by Group, Figure, and Key Number as shown in the following example:

Housing, w/Pump.....Group 7 Illustration 210 Item 10  
(Housing, w/Pump.....7-210/10)

The index will be expanded progressively as data is added to computer files. To locate a part by name refer to the Alphabetical Index. This index indicates the group and illustration and item number where the part is located. Alphabetical Index can be found in INF section of this Catalog.

## NUMERICAL INDEX

A listing of Part Numbers contained in the catalog. The numbers are in numerical sequence with reference to the group and Illustration and item number where the part is located.

## PARTS PACKAGES

Service Parts Packages, containing all parts needed for specific service operation, are listed in their respective groups with related parts. The listing will show adaptability and model application.

## STANDARD PARTS

Important attaching standard parts such as bolts, nuts, etc, are generally listed in the text of the respective major parts groups.

## VIN PLATE DECODING INFORMATION

<b>1</b>	<b>2</b>	<b>3</b>	<b>4</b>	<b>5</b>	<b>6</b>	<b>7</b>	<b>8</b>	<b>9</b>	<b>10</b>	<b>11</b>	<b>12 thru 17</b>
Country	Make	Vehicle Type	Other	Line	Series	Body Style	Engine	Check Digit	Model Year	Assy. Plant	Sequence No.

The following table interprets the VIN Plate positions shown above.

Position	Interpretation	Codes = Description
1	Country of Origin	1 = U.S.
2	Make	B = Dodge P = Plymouth C = Chrysler
3	Vehicle type	3 = Pass Car
4	Passenger Safety	E = Restraint System Active Driver and Passenger Air Bag
5	Vehicle Line	S = Neon
6	Series	2=Low Line 4=High Line
7	Body Style	6 = 4 Door Sedan
8	Engine	C = 2.0L 4 Cyl. 16V SOHC (ECB) A = 1.8L 4 Cyl. 16V SOHC (EBD)
9	Check Digit	
10	Model Year	Y = 2000
11	Assembly Plant	D = Belvidere
12 thru 17	Vehicle Build Sequence	Model Year Assembly Sequence

## BODY CODE PLATE INTERPRETATION

The Body Code Plate is located on the Left Front Side Shield or Wheel Housing or the Upper Radiator Support. The Plate contains 7 rows of data. The bottom 3 rows are reserved for the specific information as depicted below. Starting at the fourth row (following the reserved portion), other Sales Codes used to build a specific vehicle are listed in the ascending order by ALPHA sequence.

1	2	3	4	5	6	7	8	9	10	11	12	13	14	15	16	17	18	19	20	21
22	23	24	25	26	27	28	29	30	31	32	33	34	35	36	37	38	39			
40	41	42	43	44	45	46	47	48	49	50	51	52	53	54	55	56	57	58	59	60

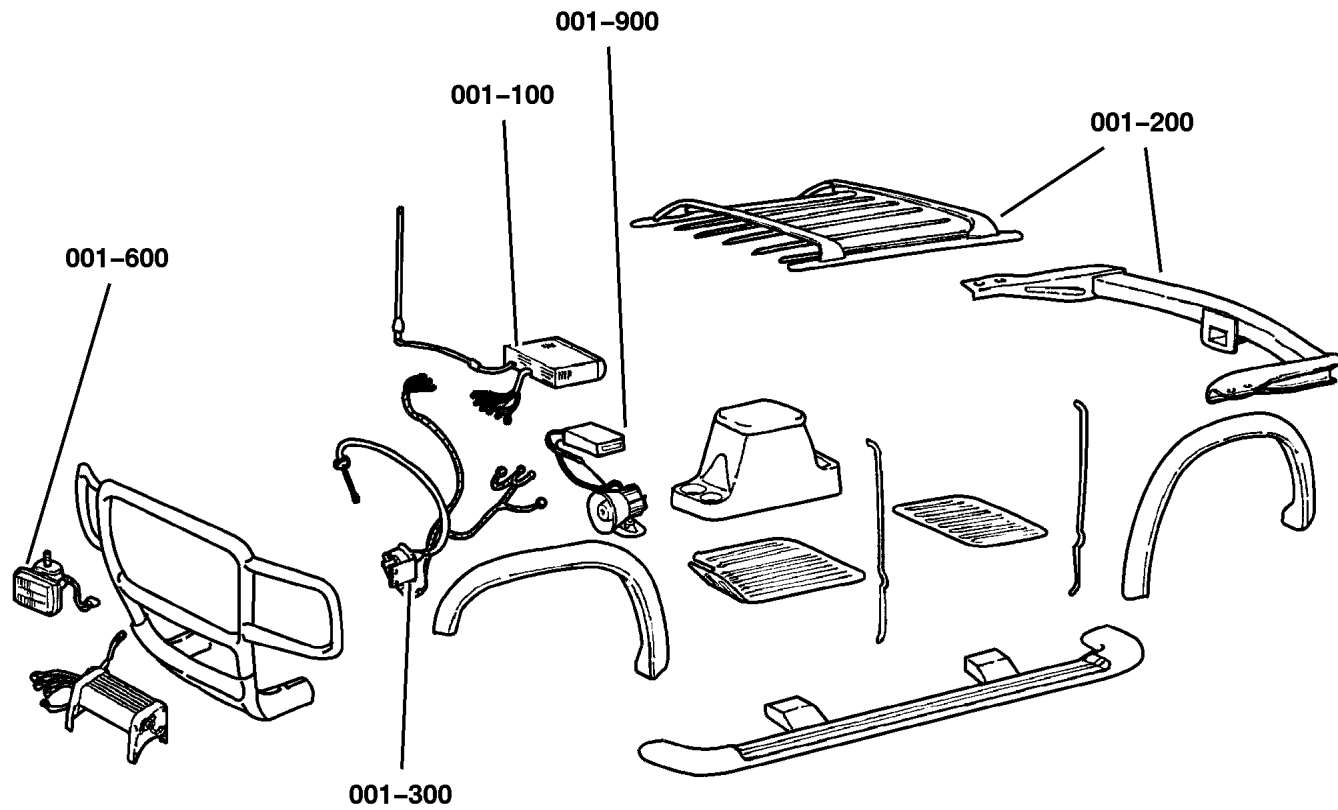
1-12	VEHICLE ORDER NUMBER
13-15	VINYL ROOF CODE/DOOR COMBO CODES
16-18	VEHICLE SHELL CAR LINE
19	PRICE CLASS
20-21	BODY TYPE
22-24	PAINT PROCEDURE
25-28	PRIMARY PAINT
29-32	SECONDARY PAINT
33-36	INTERIOR TRIM CODE
37-39	ENGINE CODES
40-42	TRANSMISSION CODES
43	MARKET CODES
44-46	VEHICLE IDENTIFICATION NUMBER (VIN) For definition of the Elements and the individual position see Vin Plate Defined.

## ABBREVIATIONS

A/C	Air Conditioner
ABS	Anti-Lock Brakes System
AR	As Required
ATC	Automatic Temperature Control
AWD	All Wheel Drive
BUX	Built Up Export
CV	Constant Velocity
DOHC	Dual (or Double) OverHead Cam
EFI	Electronic Fuel Injection
EGR	Exhaust Gas Recirculation
ECU	Electronic Control Unit
FWD	Front Wheel Drive
HEX	HEXagon
HCU	Hydraulic Control Unit
I/D	Inside Diameter
L	Liter
LED	Light Emitting Diode
MAP	Manifold Absolute Pressure
MPH	Miles Per Hour
O/D	Outside Diameter
P/S	Power Steering
PSI	Pounds per Square Inch
PSF	Pounds per Square Foot
PRNODL	Park, Reverse, Neutral, Overdrive, Drive, Low
PRNDL	Park, Reverse, Neutral, Drive, Low
PTO	Power Take Off
RFI	Radio Frequency Interference
RPM	Revolutions Per Minute
RTV	Room Temperature Vulcanizer (sealant)
T/BODY	Throttle BODY
U/BODY	Under BODY
SOHC	Single OverHead Cam
PAR	Paint As Required

# Group – 001

## Component Parts for Mopar Accessories



### GROUP 1 - Component Parts for Mopar Accessories

Illustration Title

Group-Fig. No.

#### Audio & Electronics

Player Kit - CD Changer - 12 Disc ..... Fig. 001-110

#### Carriers & Cargo Hauling

Roof Rack - Removable ..... Fig. 001-205

Bike Carrier, Hitch Mount Fold-Down Style ..... Fig. 001-210

Bike Carrier, Roof Mount Fork Mount Style ..... Fig. 001-212

Bike Carrier, Roof Mount Upright Style ..... Fig. 001-214

Ski Carrier - Hitch Mount ..... Fig. 001-220

Carrier Kit (Two Pair) Roof Mount ..... Fig. 001-222

Trailer Tow ..... Fig. 001-240

Wiring Package - Trailer Tow ..... Fig. 001-290

#### Driving Convenience

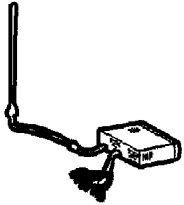




Speed Control Kit ..... Fig. 001-310

#### Fog Lights & Electrical

Fog Lamps ..... Fig. 001-610

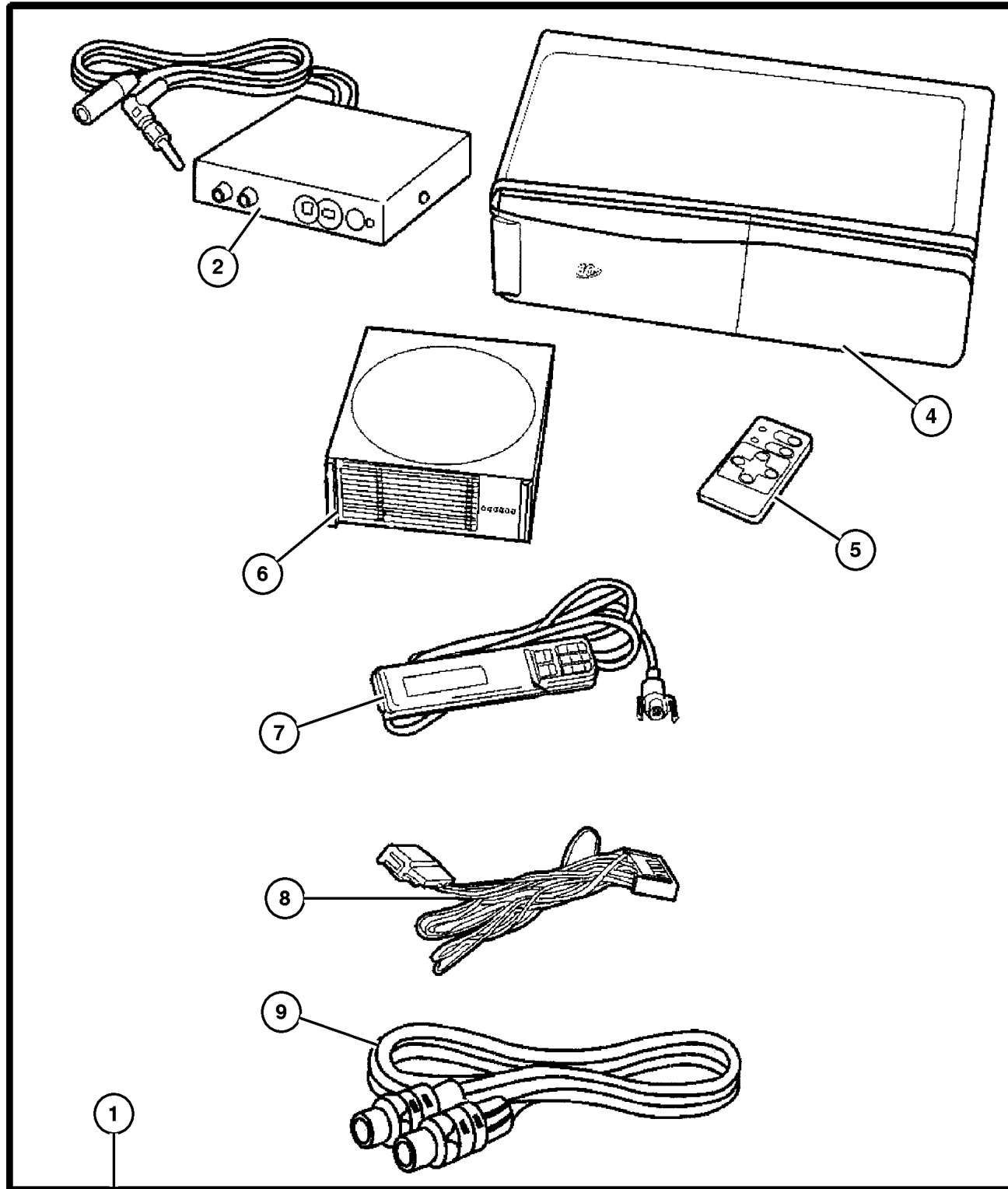
#### Security

Alarm- EVS Base System ..... Fig. 001-910

<p><b>001-100</b> Audio &amp; Electronics</p> 	<p><b>001-200</b> Carriers &amp; Cargo Hauling</p> 	<p><b>001-300</b> Driving Convenience</p> 	<p><b>001-600</b> Fog Lights &amp; Electrical</p> 
<p><b>001-900</b> Security</p> 			



**Player Kit - CD Changer - 12 Disc  
Figure 001-110**



ITEM	PART NUMBER	QTY	LINE	BODY	DESCRIPTION
------	-------------	-----	------	------	-------------

NOTE; For radio without CD controls. Pentastar Logo, Includes RF Modulator, Power Cord, Din Cord, Hand Held and IR Remote Controller and Operating manual, 12 Disc Magazine.

1	8220 4730	1	D, P	41	PLAYER KIT, CD Changer - 12 Disc
2	5013 804AA	1	D, P	41	MODULATOR, FM
-3	5013 800AA	1	D, P	41	HARDWARE KIT, Mounting
4	5013 806AA	1	D, P	41	CHANGER, CD
5	5013 802AA	1	D, P	41	CONTROLLER, CD Wireless
6	5013 805AA	1	D, P	41	MAGAZINE, CD Changer
7	5013 803AA	1	D, P	41	CONTROLLER, CD Wired
8	4465 117	1	D, P	41	ADAPTOR, A/C
9	5013 801AA	1	D, P	41	DIN CORD, CD Player

**DODGE - PLYMOUTH - CHRYSLER NEON (PL)**

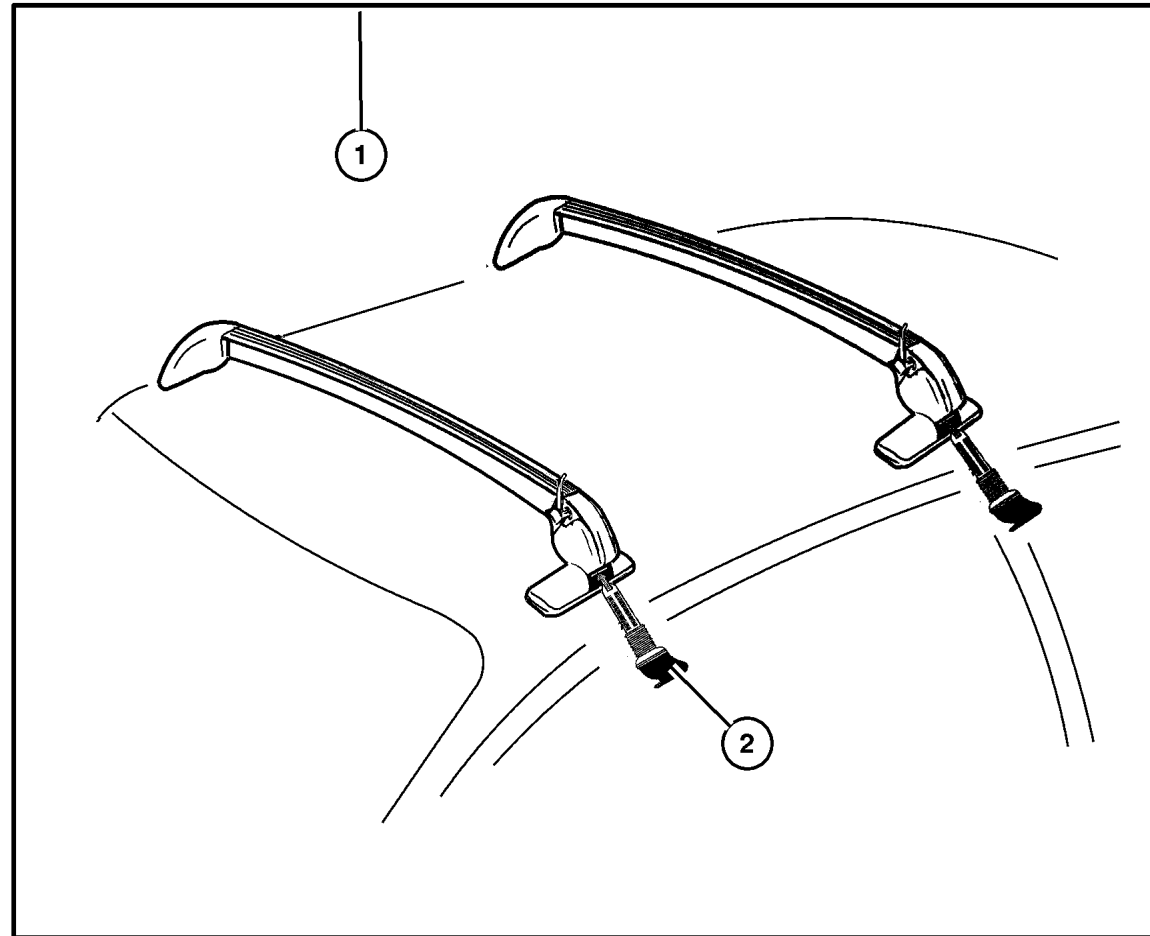
SERIES	LINE	BODY	ENGINE	TRANSMISSION
L=Low Line	Z= RHD	41 = 4 Door, 104.0WB	ECB =2.0L 4 Cyl. SOHC	DD5 = 5 Speed Manual
H=High Line	D= Dodge		EBD = 1.8L 4Cyl SOHC	DGC = 3 Speed Automatic
	D= Chrysler			DG0 = All Automatic
	P= Plymouth			DBB = All Manual

AR = Use as required - = Non illustrated part # = New this model year

May 3, 2002

**Roof Rack - Removable  
Figure 001-205**

ITEM	PART NUMBER	QTY	LINE	BODY	DESCRIPTION
1	#8220 4798	1			RACK KIT, Roof - Removable
2	#5019 509AA	1			STRAP, Roof Rack, Consists of: 1-steel strap



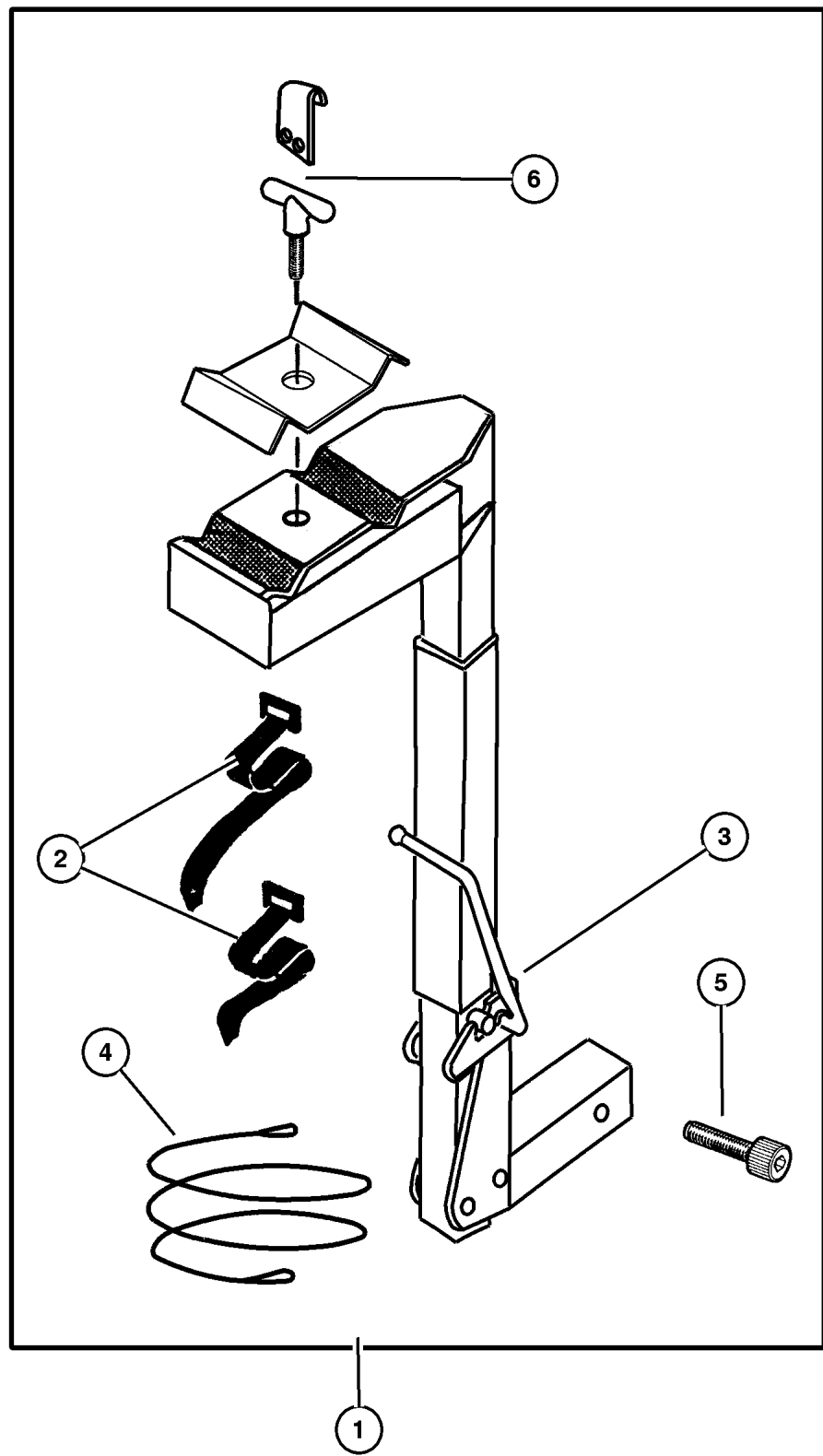
**DODGE - PLYMOUTH - CHRYSLER NEON (PL)**

SERIES	LINE	BODY	ENGINE	TRANSMISSION
L=Low Line	Z= RHD	41 = 4 Door, 104.0WB	ECB =2.0L 4 Cyl. SOHC	DD5 = 5 Speed Manual
H=High Line	D= Dodge		EBD = 1.8L 4Cyl SOHC	DGC = 3 Speed Automatic
	D= Chrysler			DG0 = All Automatic
	P= Plymouth			DBB = All Manuall

AR = Use as required - = Non illustrated part # = New this model year

May 3, 2002

**Bike Carrier, Hitch Mount Fold-Down Style  
Figure 001-210**



ITEM	PART NUMBER	QTY	LINE	BODY	DESCRIPTION
NOTE: Folds down for access to rear deck, has anti theft bolts. manual, 12 Disc Magazine.					
1	8220 4452	1	D, P	41	CARRIER PACKAGE, Bike
2	4762 880	1	D, P	41	STRAP KIT, Velcro, Consists of: 1-Long and 1-Short
3	5016 775AA	1	D, P	41	STRAP KIT, Bike Carrier Latch, Consists of: 2-Rubber Straps
4	4762 882	1	D, P	41	LOCK KIT, Bike Carrier Handle
5	5016 774AA	1	D, P	41	BOLT KIT, Security
6	5016 610AA	1	D, P	41	HARDWARE KIT, Accessory, T-Handle

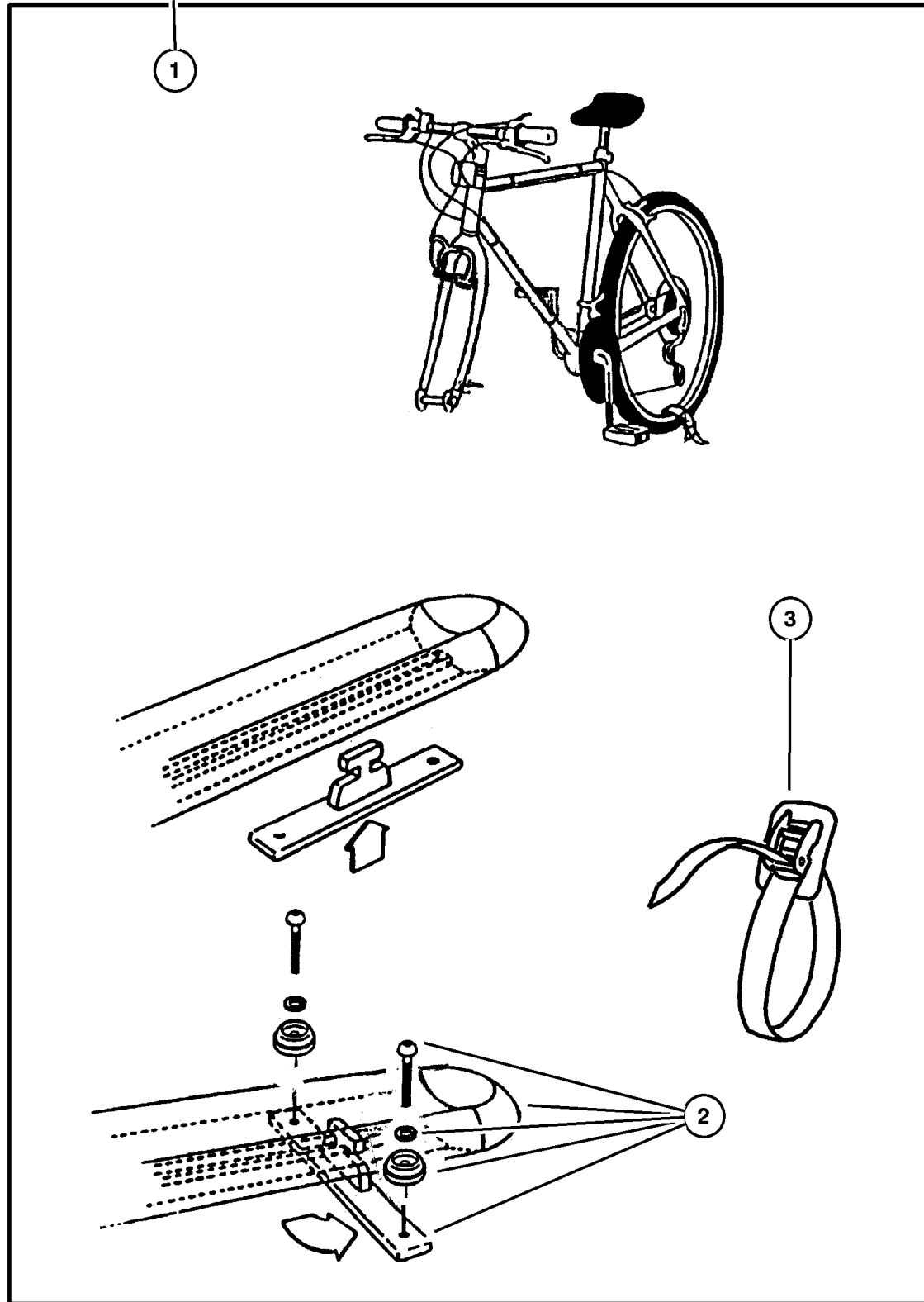
**DODGE - PLYMOUTH - CHRYSLER NEON (PL)**

SERIES	LINE	BODY	ENGINE	TRANSMISSION
L=Low Line	Z= RHD	41 = 4 Door, 104.0WB	ECB =2.0L 4 Cyl. SOHC	DD5 = 5 Speed Manual
H=High Line	D= Dodge		EBD = 1.8L 4Cyl SOHC	DGC = 3 Speed Automatic
	D= Chrysler			DG0 = All Automatic
	P= Plymouth			DBB = All Manual

AR = Use as required - = Non illustrated part # = New this model year

May 3, 2002

**Bike Carrier, Roof Mount Fork Mount Style  
Figure 001-212**



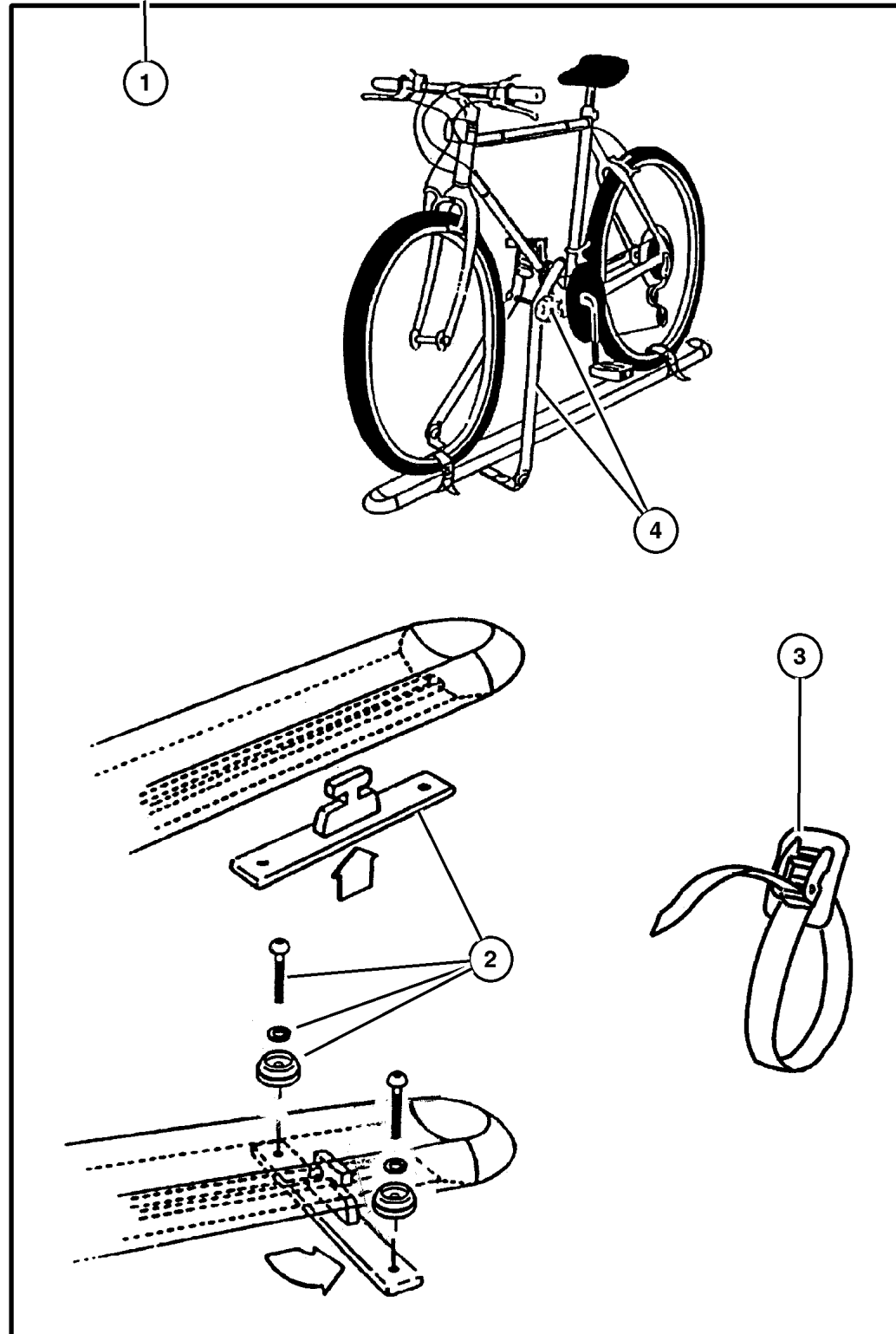
ITEM	PART NUMBER	QTY	LINE	BODY	DESCRIPTION
NOTE: Hardware Kit also contained in Carrier Kit. manual, 12 Disc Magazine.					
1	8230 0585	1	D, P	41	CARRIER KIT, Bike, Fork - Mount
2	5016 512AA	1	D, P	41	HARDWARE KIT, Accessory, Contains: 2 T-Slots, 4 Dome Washers, 4 M6x16mm Screws and 2 M6 Lockwashers
3	5016 513AA	1			STRAP, Cargo Tie Down, Contains: 2 Straps

<b>DODGE - PLYMOUTH - CHRYSLER NEON (PL)</b>				
SERIES	LINE	BODY	ENGINE	TRANSMISSION
L=Low Line	Z= RHD	41 = 4 Door, 104.0WB	ECB =2.0L 4 Cyl. SOHC	DD5 = 5 Speed Manual
H=High Line	D= Dodge		EBD = 1.8L 4Cyl SOHC	DGC = 3 Speed Automatic
	D= Chrysler			DG0 = All Automatic
	P= Plymouth			DBB = All Manual

AR = Use as required - = Non illustrated part # = New this model year

May 3, 2002

## Bike Carrier, Roof Mount Upright Style Figure 001-214



ITEM	PART NUMBER	QTY	LINE	BODY	DESCRIPTION
1	8220 3471	1			CARRIER KIT, Bike, Upright - Mount
2	5016 512AA	1	D, P	41	HARDWARE KIT, Accessory, Contains: 2 T-Slots, 4 Dome Washers, 4 M6x1x16mm Screws and 2 M6 Lockwashers
3	5016 513AA	1			STRAP, Cargo Tie Down, Contains: 2 Straps
4	5018 194AA	1			HARDWARE KIT, Bike Carrier

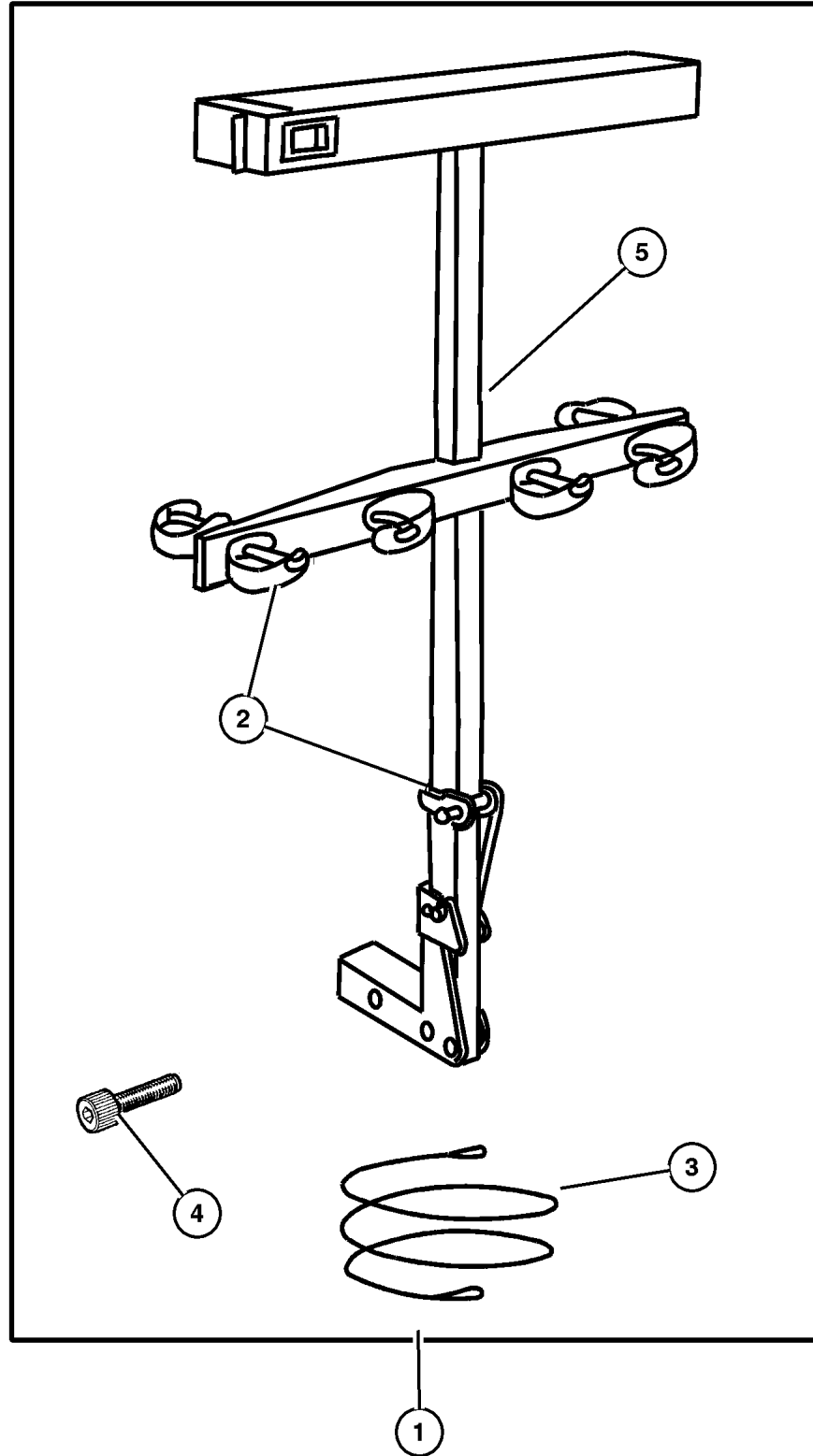
### DODGE - PLYMOUTH - CHRYSLER NEON (PL)

SERIES	LINE	BODY	ENGINE	TRANSMISSION
L=Low Line	Z= RHD	41 = 4 Door, 104.0WB	ECB =2.0L 4 Cyl. SOHC	DD5 = 5 Speed Manual
H=High Line	D= Dodge		EBD = 1.8L 4Cyl SOHC	DGC = 3 Speed Automatic
	D= Chrysler			DG0 = All Automatic
	P= Plymouth			DBB = All Manual

AR = Use as required   - = Non illustrated part   # = New this model year

May 3, 2002

**Ski Carrier - Hitch Mount**  
**Figure 001-220**



ITEM	PART NUMBER	QTY	LINE	BODY	DESCRIPTION
------	-------------	-----	------	------	-------------

NOTE: For use with a 1.25' Hitch Receiver, manual, 12 Disc Magazine.

1	8220 4454	1	D, P	41	CARRIER KIT, Ski - 4 Pair
2	4762 881	1	D, P	41	STRAP KIT, Bike Carrier Latch
3	4762 882	1	D, P	41	LOCK KIT, Bike Carrier Handle
4	5016 774AA	1	D, P	41	BOLT KIT, Security
5	5016 610AA	1	D, P	41	HARDWARE KIT, Accessory, Replacement T-Handle

<b>DODGE - PLYMOUTH - CHRYSLER NEON (PL)</b>				
SERIES	LINE	BODY	ENGINE	TRANSMISSION
L=Low Line	Z= RHD	41 = 4 Door, 104.0WB	ECB =2.0L 4 Cyl. SOHC	DD5 = 5 Speed Manual
H=High Line	D= Dodge		EBD = 1.8L 4Cyl SOHC	DGC = 3 Speed Automatic
	D= Chrysler			DG0 = All Automatic
	P= Plymouth			DBB = All Manual

AR = Use as required - = Non illustrated part # = New this model year

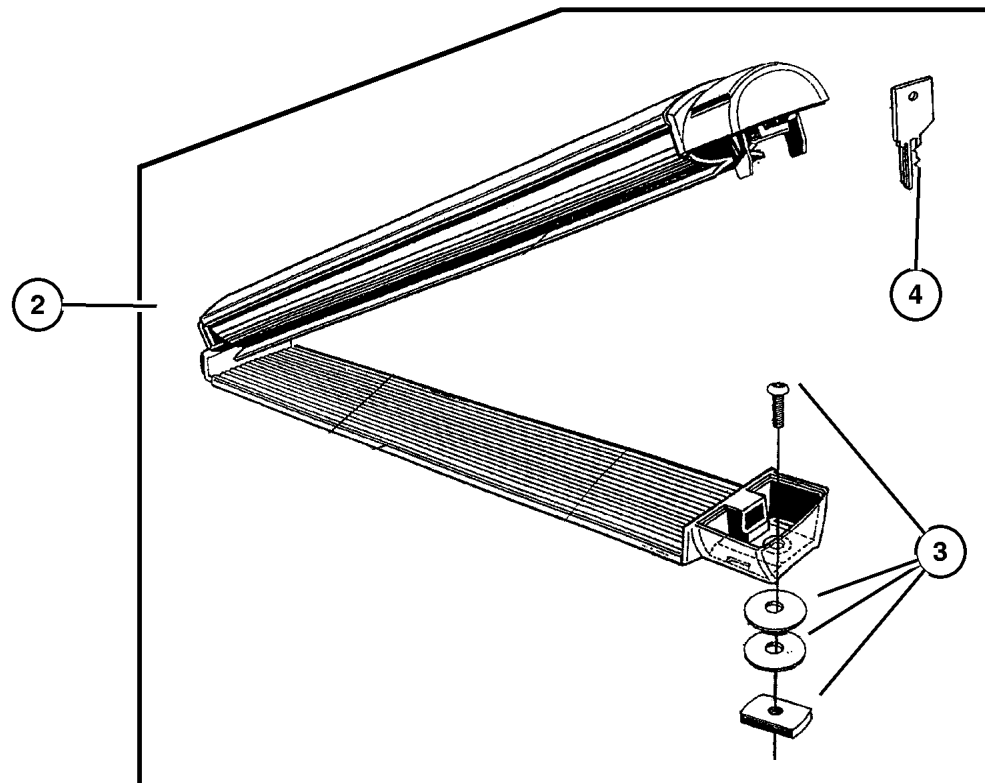
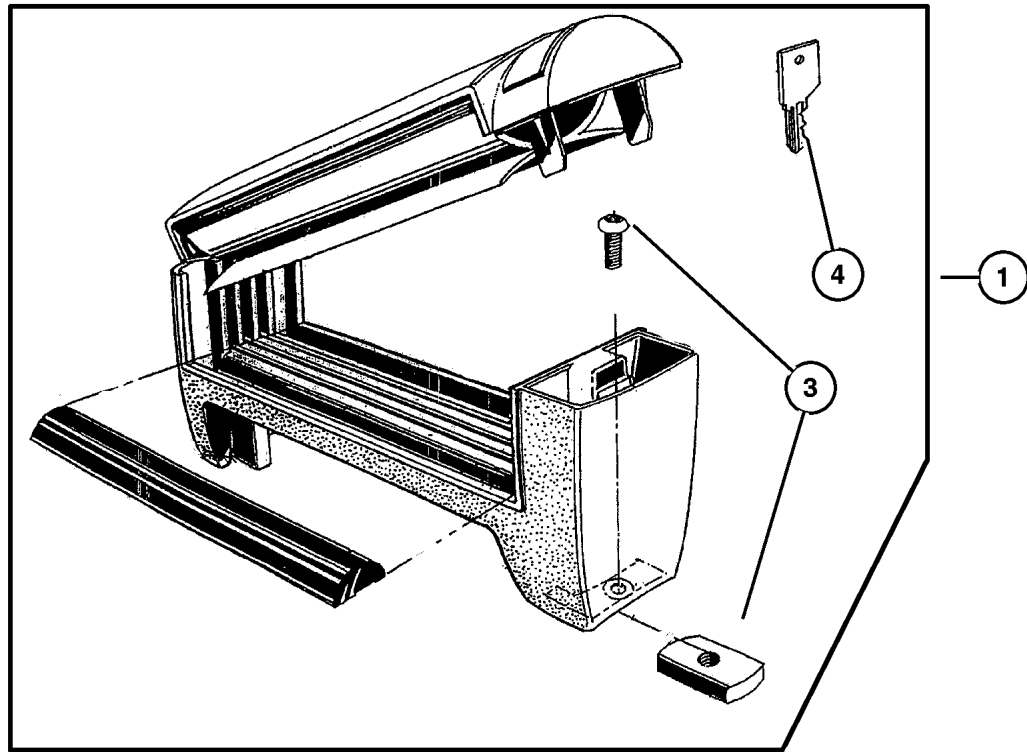
May 3, 2002

**Carrier Kit (Two Pair) Roof Mount  
Figure 001-222**

ITEM	PART NUMBER	QTY	LINE	BODY	DESCRIPTION
------	-------------	-----	------	------	-------------

NOTE: New keys are Vendor Ship Direct. manual, 12 Disc Magazine.

1	8220 3474	1			CARRIER KIT, Ski - 2 Pair, High Mount
2	8220 3472	1			CARRIER KIT, Ski
3					HARDWARE KIT, Mounting
	#5019 077AA	1			
	5018 389AA	1			High Mount
4					KEY, Master, (NOT SERVICED)
-5	5016 513AA	1			STRAP, Cargo Tie Down



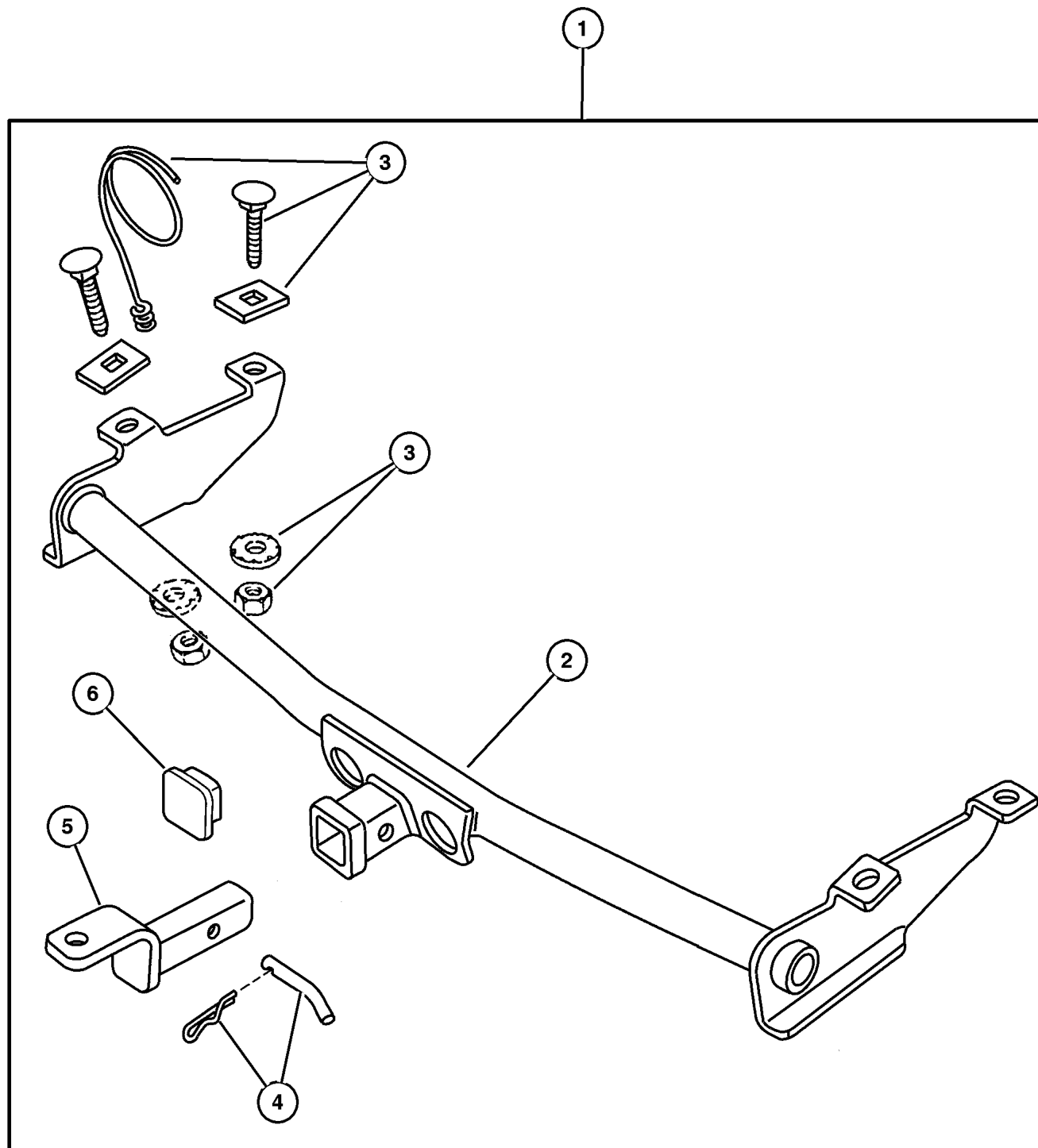
**DODGE - PLYMOUTH - CHRYSLER NEON (PL)**

SERIES	LINE	BODY	ENGINE	TRANSMISSION
L=Low Line	Z= RHD	41 = 4 Door, 104.0WB	ECB =2.0L 4 Cyl. SOHC	DD5 = 5 Speed Manual
H=High Line	D= Dodge		EBD = 1.8L 4Cyl SOHC	DGC = 3 Speed Automatic
	D= Chrysler			DG0 = All Automatic
	P= Plymouth			DBB = All Manual

AR = Use as required - = Non illustrated part # = New this model year

May 3, 2002

**Trailer Tow  
Figure 001-240**



ITEM	PART NUMBER	QTY	LINE	BODY	DESCRIPTION
1	#8220 5890	1	D, P	41	RECEIVER KIT, Trailer Tow
2					HITCH, Trailer, (NOT SERVICED)
3	#5019 180AA	1	D, P	41	HARDWARE KIT, Hitch
4	5016 666AA	1	D, P	41	PIN, Hitch
5					DRAWBAR, Attachment, Serviced in Kit, (NOT SERVICED)
6					COVER KIT, Trailer Tow, Serviced in Kit, (NOT SERVICED)
-7	8220 5158	1	D, P	41	WIRING PACKAGE, Trailer Tow, 4-Way Flat Connector

**DODGE - PLYMOUTH - CHRYSLER NEON (PL)**

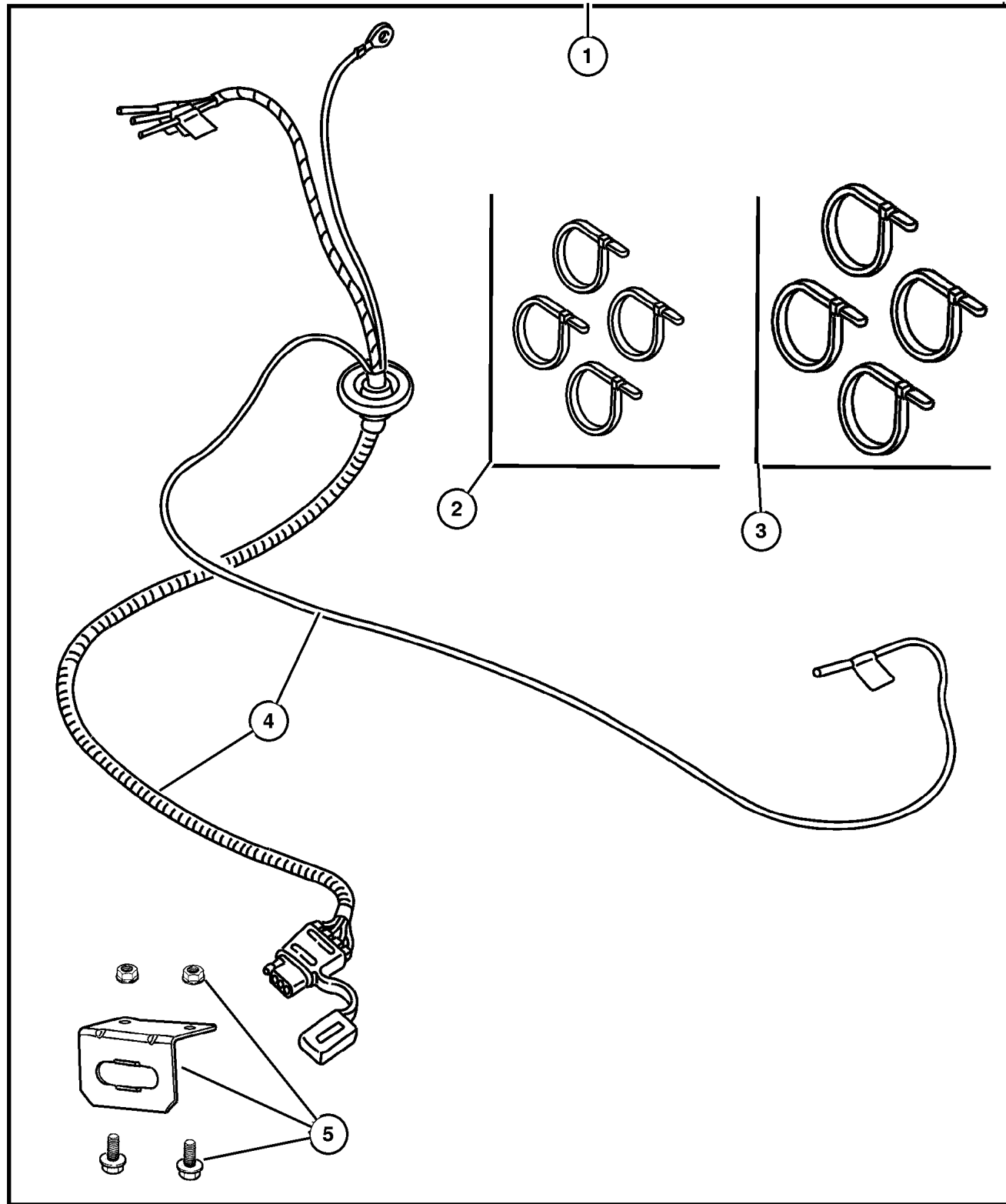
SERIES	LINE	BODY	ENGINE	TRANSMISSION
L=Low Line	Z= RHD	41 = 4 Door, 104.0WB	ECB =2.0L 4 Cyl. SOHC	DD5 = 5 Speed Manual
H=High Line	D= Dodge		EBD = 1.8L 4Cyl SOHC	DGC = 3 Speed Automatic
	D= Chrysler			DG0 = All Automatic
	P= Plymouth			DBB = All Manual

AR = Use as required - = Non illustrated part # = New this model year

May 3, 2002



**Wiring Package - Trailer Tow**  
**Figure 001-290**



ITEM	PART NUMBER	QTY	LINE	BODY	DESCRIPTION
1	8220 5158	1	D, P	41	WIRING PACKAGE, Trailer Tow
2	6015 756	1	D, P		STRAP, Tie, 7 inch
3					STRAP, Tie, Serviced in Package, (NOT SERVICED)
4					WIRING, Trailer Tow - 4 Way, Serviced in Package, (NOT SERVICED)
5	8220 4602	1	D, P	41	BRACKET KIT, Trailer Tow

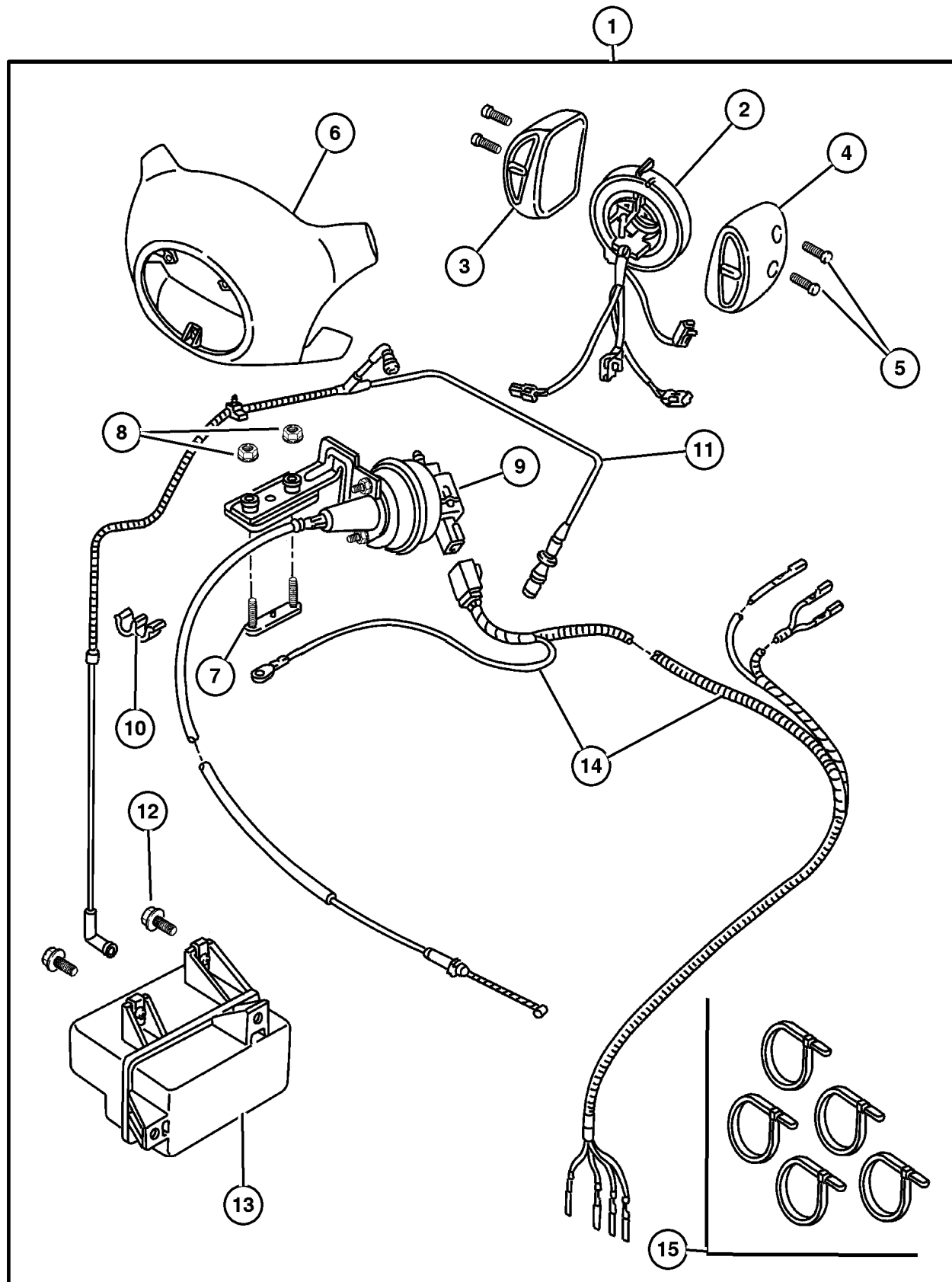
**DODGE - PLYMOUTH - CHRYSLER NEON (PL)**

SERIES	LINE	BODY	ENGINE	TRANSMISSION
L=Low Line	Z= RHD	41 = 4 Door, 104.0WB	ECB =2.0L 4 Cyl. SOHC	DD5 = 5 Speed Manual
H=High Line	D= Dodge		EBD = 1.8L 4Cyl SOHC	DGC = 3 Speed Automatic
	D= Chrysler			DG0 = All Automatic
	P= Plymouth			DBB = All Manual

AR = Use as required - = Non illustrated part # = New this model year

May 3, 2002

**Speed Control Kit  
Figure 001-310**



ITEM	PART NUMBER	QTY	LINE	BODY	DESCRIPTION
1	#8220 4546	1	D, P	41	CONTROL PACKAGE, Speed Control
2	#4793 585	1	D, P	41	CLOCKSPRING
3	#QA76 1AZ	1			SWITCH, Speed Control
4	#QA77 1AZ	1			SWITCH, Speed Control
5	0154 613	4			SCREW, Pan Head Tapping, .164-32x.625
6	ST87 LAZAA	1	D, P	41	COVER, Steering Wheel Back, Black
7	4591 046	1	D, P		PLATE, Speed Control Servo
8	6500 274	2	D, P		LOCK NUT, M6x1.0x6
9					SERVO, Speed Control, Same as Production Parts, (NOT SERVICED)
10	#4459 055AB	1	D, P	41	CLIP, Cable Routing
11	#4669 582AB	1	D, P	41	HARNESS, Speed Control, Servo to Reservoir
12	6101 818	2			SCREW
13	#4669 788	1	D, P	41	RESERVOIR, Speed Control Vacuum
14					WIRING, Speed Control, Serviced in Kit, (NOT SERVICED)
15	6015 756	1	D, P		STRAP, Tie

**DODGE - PLYMOUTH - CHRYSLER NEON (PL)**

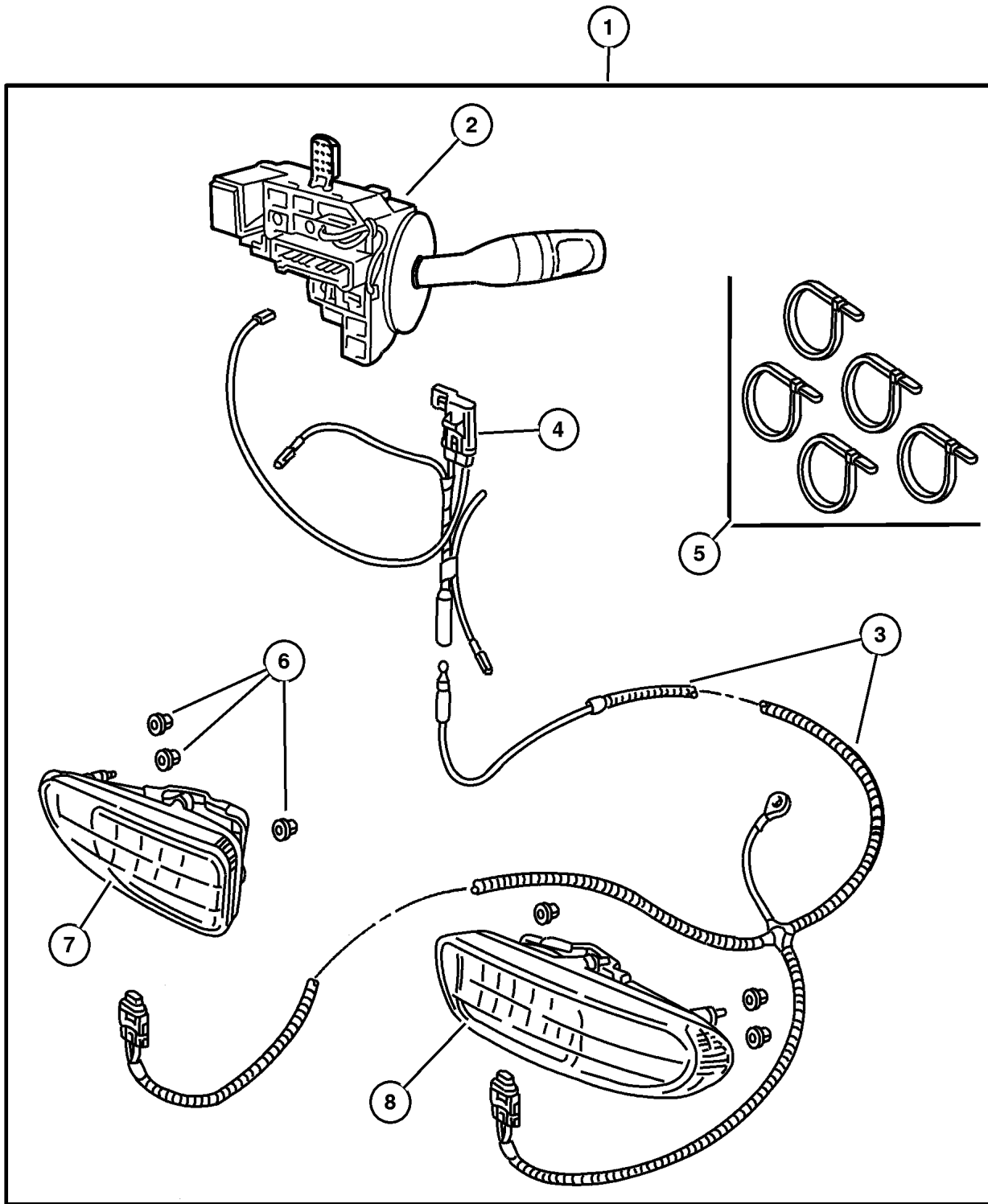
SERIES	LINE	BODY	ENGINE	TRANSMISSION
L=Low Line	Z= RHD	41 = 4 Door, 104.0WB	ECB =2.0L 4 Cyl. SOHC	DD5 = 5 Speed Manual
H=High Line	D= Dodge		EBD = 1.8L 4Cyl SOHC	DGC = 3 Speed Automatic
	D= Chrysler			DG0 = All Automatic
	P= Plymouth			DBB = All Manual

AR = Use as required - = Non illustrated part # = New this model year

May 3, 2002

Fog Lamps  
Figure 001-610

ITEM	PART NUMBER	QTY	LINE	BODY	DESCRIPTION
1	#8220 5046	1	D, P	41	LIGHT PACKAGE, Fog
2	#4794 306AB	1	D, P	41	SWITCH, Multifunction
3					WIRING, Fog Lamp, Serviced in Package, (NOT SERVICED)
4					WIRING, Serviced in Package, (NOT SERVICED)
5	4641 780	1	D, P		STRAP, Tie, 7 inch
6	6101 447	6			NUT, M6x1.0
7	#5288 514AB	1	D, P	41	LAMP, Fog, Right
8	#5288 515AB	1	D, P	41	LAMP, Fog, Left

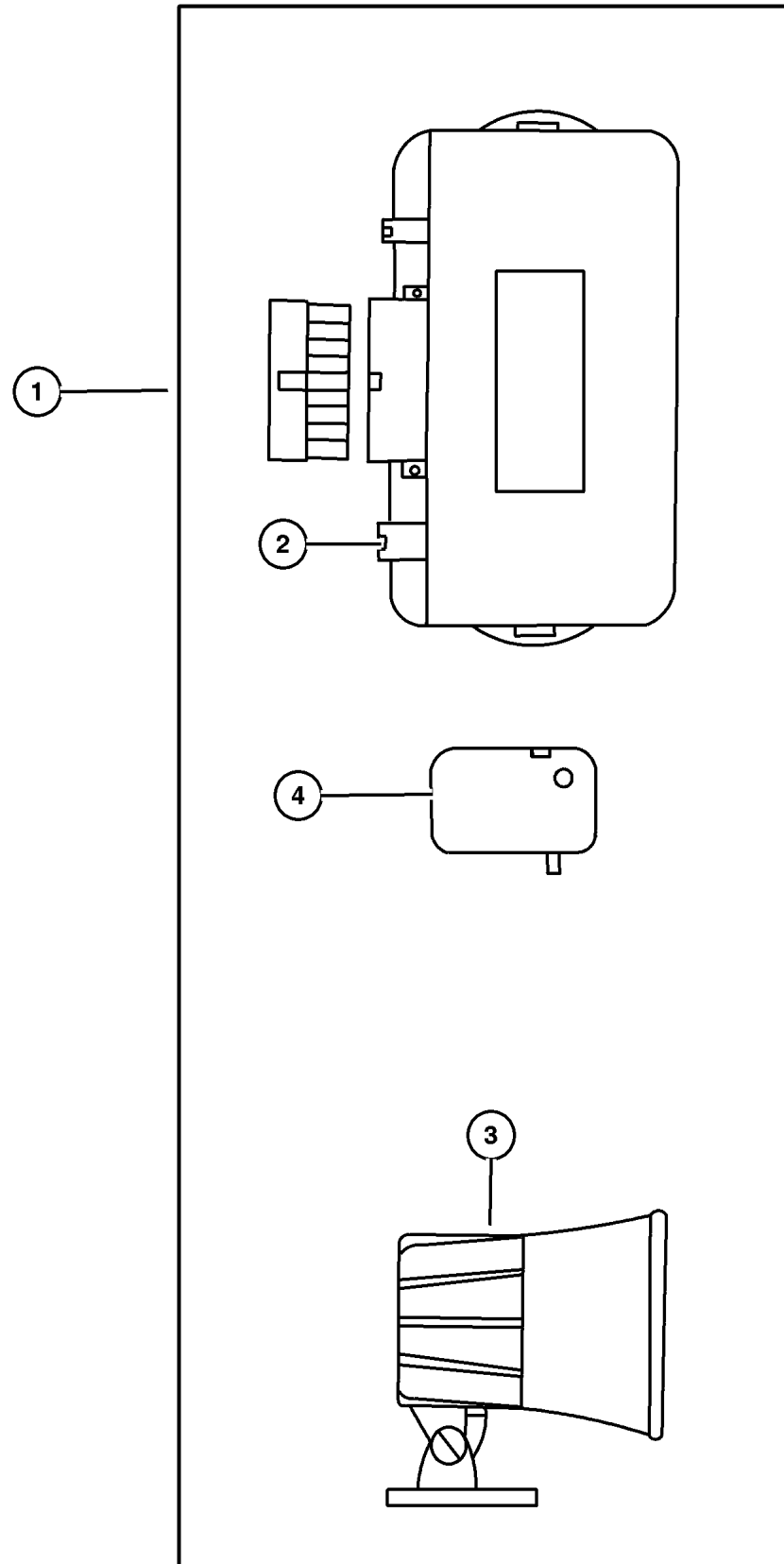


DODGE - PLYMOUTH - CHRYSLER NEON (PL)  
 SERIES LINE BODY ENGINE TRANSMISSION  
 L=Low Line Z=RHD 41 = 4 Door, 104.0WB ECB =2.0L 4 Cyl. SOHC DD5 = 5 Speed Manual  
 H=High Line D= Dodge EBD = 1.8L 4Cyl SOHC DGC = 3 Speed Automatic  
 D= Chrysler DBB = All Manual  
 P= Plymouth

AR = Use as required - = Non illustrated part # = New this model year

May 3, 2002

**Alarm- EVS Base System  
Figure 001-910**



ITEM	PART NUMBER	QTY	LINE	BODY	DESCRIPTION
NOTE: Items # 6-7-8 are Wiring Harnesses for Optional Features., manual, 12 Disc Magazine.					
1	8220 3763	1	D, P	41	MODULE KIT, Alarm without Keyless
2	5012 164AA	1	D, P	41	MODULE, Security Alarm
3	8220 3198	1	D, P	41	SIREN, Alarm
4	4886 374AA	1	D, P	41	TRANSMITTER, Alarm or Keyless, Two Included
-5	4636 141	1	D, P	41	BATTERY, Transmitter, Two Included
-6	8220 4216	1	D, P	41	WIRING KIT, Park and Headlight
-7	#8220 5189	1	D, P	41	WIRING KIT, Alarm without Keyless
-8	#8220 5190	1	D, P	41	SENSOR KIT, Shock

<b>DODGE - PLYMOUTH - CHRYSLER NEON (PL)</b>				
SERIES	LINE	BODY	ENGINE	TRANSMISSION
L=Low Line	Z= RHD	41 = 4 Door, 104.0WB	ECB =2.0L 4 Cyl. SOHC	DD5 = 5 Speed Manual
H=High Line	D= Dodge		EBD = 1.8L 4Cyl SOHC	DGC = 3 Speed Automatic
	D= Chrysler			DG0 = All Automatic
	P= Plymouth			DBB = All Manual

AR = Use as required - = Non illustrated part # = New this model year

May 3, 2002

# Group – 002

## Front Suspension & Drive

### GROUP 2 - Front Suspension & Drive

Illustration Title

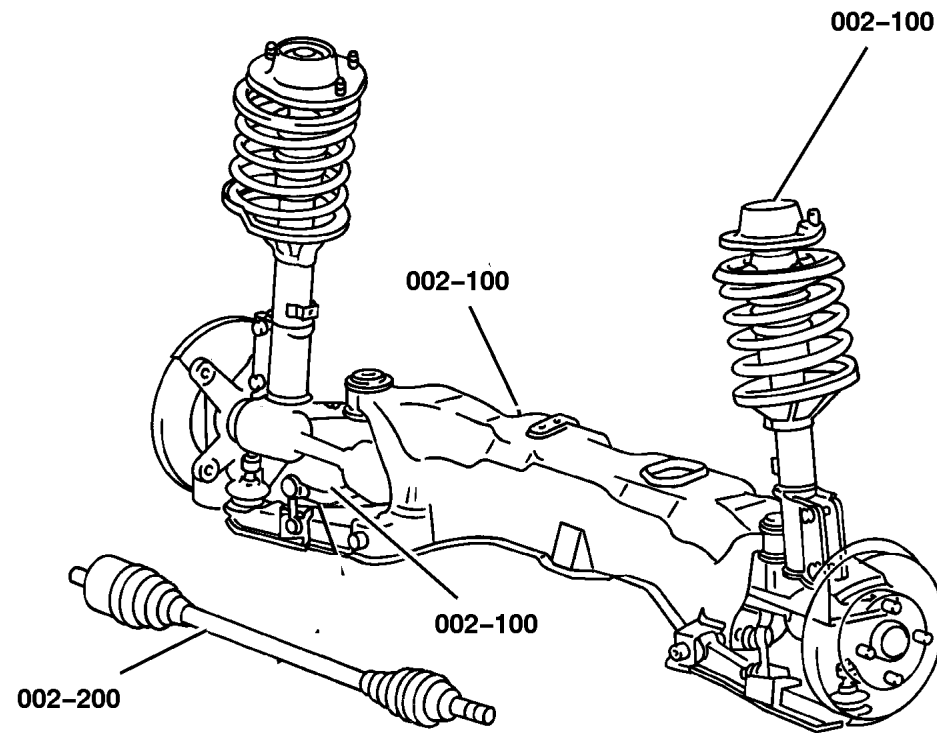
Group-Fig. No.

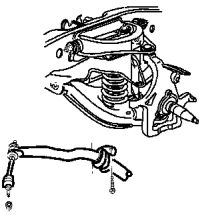
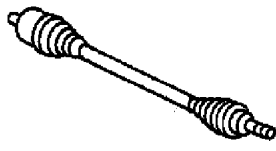
#### Front Suspension

Suspension, Front ..... Fig. 002-105

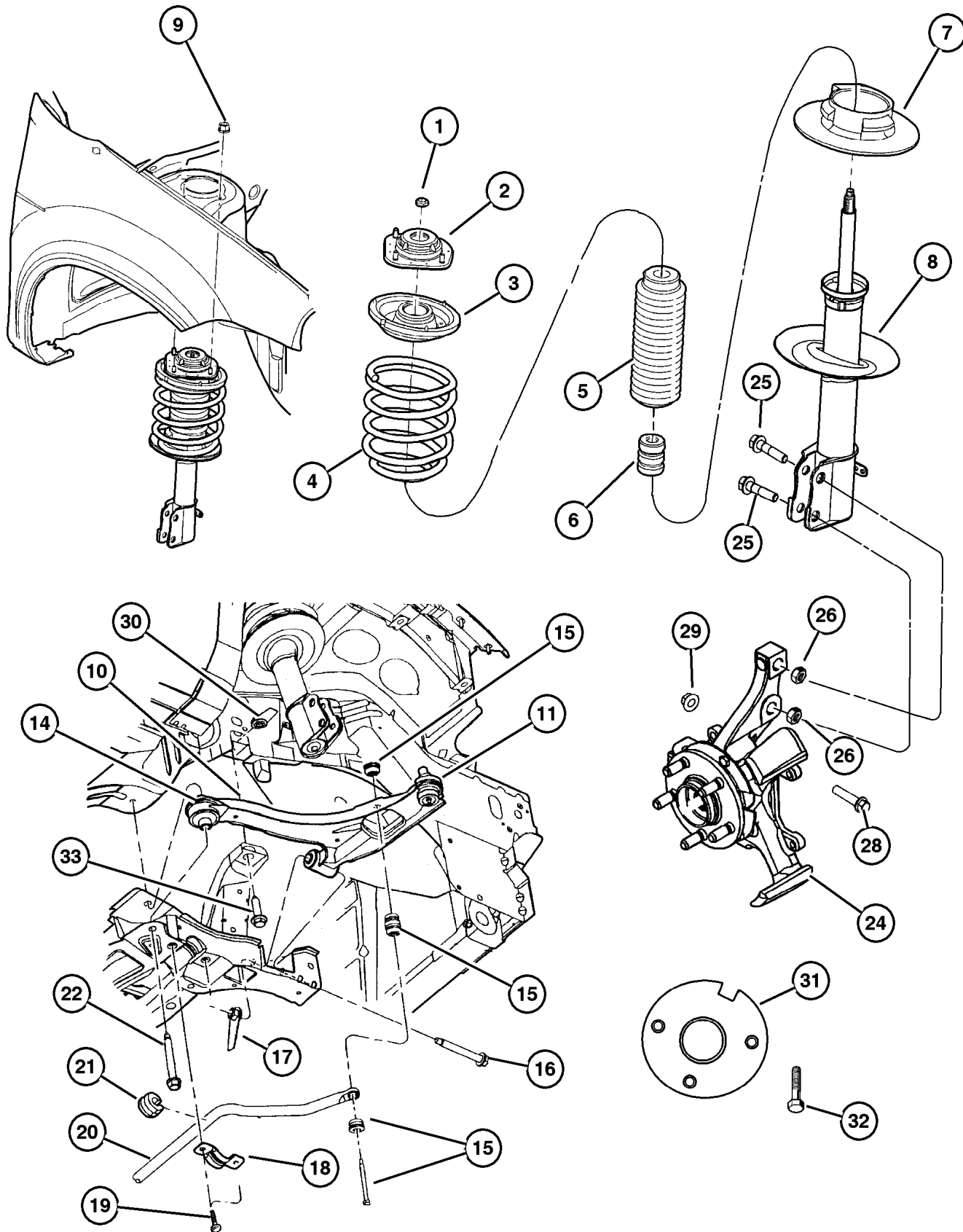
#### Front Axle Drive Shafts

Shaft, Front Drive ..... Fig. 002-205



<p><b>002-100</b> Front Suspension</p> 	<p><b>002-200</b> Front Axle Drive Shafts</p> 		
--	---	--	--

## Suspension, Front Figure 002-105



ITEM	PART NUMBER	QTY	LINE	BODY	ENGINE	TRANS	DESCRIPTION
NOTE: Sales Code SDC= Firm Feel Suspension Also Known as Touring Suspension manual, 12 Disc Magazine.							
NOTE: Sales Code SDF= European Homologation Suspension manual, 12 Disc Magazine.							
NOTE: Sales Code ZCC thur ZRJ= Spring Group Types Found on Individual Vehicle Sales Code Listing manual, 12 Disc Magazine.							
1	#6505 116AA	2					NUT, M14X2
2	#5272 226	2					MOUNT AND BEARING, Strut, Upper
3	#5272 227	2					SEAT AND BEARING, Suspension Strut
4	#5272 603	1					SPRING, Front Suspension Coil w/Firm Feel Suspension (SDC) w/European (SDF), Tag#603 (ZCC,ZRC)
	#5272 604	1					w/Firm Feel Suspension (SDC) w/European (SDF), Tag#604 (ZCD,ZRD)
	#5272 605	1					w/Firm Feel Suspension (SDC) e/European (SDF), Tag#605 (ZCE,ZRE)
	#5272 606	1					w/Firm Feel Suspension (SDC) w/European (SDF), Tag#606 (ZCF,ZRF)
	#5272 607	1					w/Firm Feel Suspension (SDC) w/European (SDF), Tag#607 (ZCG,ZRG)
	#5272 608	1					w/Firm Feel Suspension (SDC) w/European (SDF), Tag#608 (ZCH,ZRH)
	#5272 609	1					w/Firm Feel Suspension (SDC) w/European (SDF), Tag#609 (ZCJ,ZRJ)
5	#4656 060AB	2					SHIELD, Suspension
6	#5272 223AB	2					BUMPER, Jounce
7	#4656 083	2					ISOLATOR, Spring
8	#4656 174AC	2	D, Z				STRUT, Front Suspension [SDF-SDB]
	#5272 325AD	2					[SDC]
9	6101 445	6					NUT AND WASHER, Hex Nut-Coned Washer, M8 x 1.25
10	#5272 236	1					ARM, Control Right
	#5272 237	1					Left
11	#4656 010	1					BALL JOINT, Lower Control Arm
-12	4694 745	1					FITTING, Ball Joint, Zirc
-13	#4656 464AA	1					SEAL, Ball Joint
14	#4656 012AB	1					BUSHING, Control Arm
15	#5272 324	2					LINK, Sway Eliminator
16	6504 742	2					SCREW AND WASHER, Hex Head, M14 x 2 x 115.0
17	#6505 595AA	2					NUT, M14X2
18	#4656 513AA	2					CLAMP, Stabilizer Bar
19	#6505 727AA	4					SCREW, Hex Head, M8x1.25x25.00

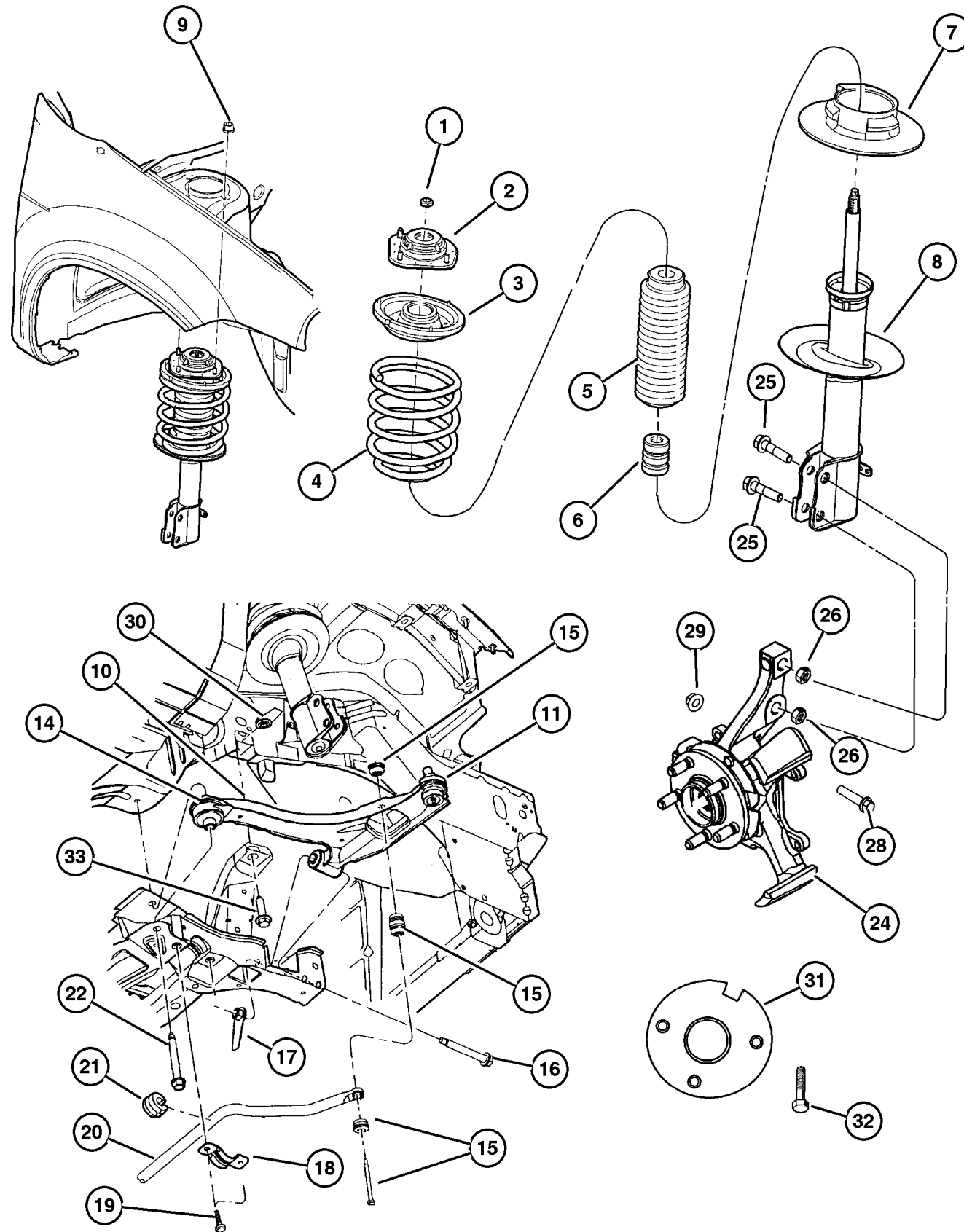
**DODGE - PLYMOUTH - CHRYSLER NEON (PL)**

SERIES	LINE	BODY	ENGINE	TRANSMISSION
L=Low Line	Z= RHD	41 = 4 Door, 104.0WB	ECB =2.0L 4 Cyl. SOHC	DD5 = 5 Speed Manual
H=High Line	D= Dodge		EBD = 1.8L 4Cyl SOHC	DGC = 3 Speed Automatic
	D= Chrysler			DG0 = All Automatic
	P= Plymouth			DBB = All Manual

AR = Use as required - = Non illustrated part # = New this model year

May 3, 2002

## Suspension, Front Figure 002-105



ITEM	PART NUMBER	QTY	LINE	BODY	ENGINE	TRANS	DESCRIPTION
20	#5272 327	1					BAR, Front Sway
21	#4656 512AA	2					CUSHION, Sway Eliminator
22	#6505 015AA	2					SCREW, Front Control Arm Rear Pivot Att M14x2.00x130.00
-23	#6506 039AA	2					SCREW, Hex Head, Front Control Arm Rear Pivot Att M16x2.00x130.0
24							KNUCKLE, Front
	#4656 090AC	1					Right
	#4656 091AC	1					Left
25	#6505 525AA	4					SCREW, M14x2.00x70.00
26	6505 232AA	4					NUT, M14x2.00
-27	#5019 074AA	4					BOLT PACKAGE, Camber Adjustment
28	6501 248	2					BOLT, Hex Flange Head, M12x1.75x57
29	6501 247	2					NUT, M12x1.75
30	#6505 595AA	2					NUT, M14X2
31	4668 361AB	1					PLATE, Suspension
32	#6505 982AA	3					SCREW, Hex Head, M8x1.25x20.00
33	#6505 743AA	2					SCREW, M14x2.00x60.00
-34	#6506 039AA	2					SCREW, Hex Head, Front Control Arm Rear Pivot Att M16x2.00x130.0 (to Crossmember)

**DODGE - PLYMOUTH - CHRYSLER NEON (PL)**

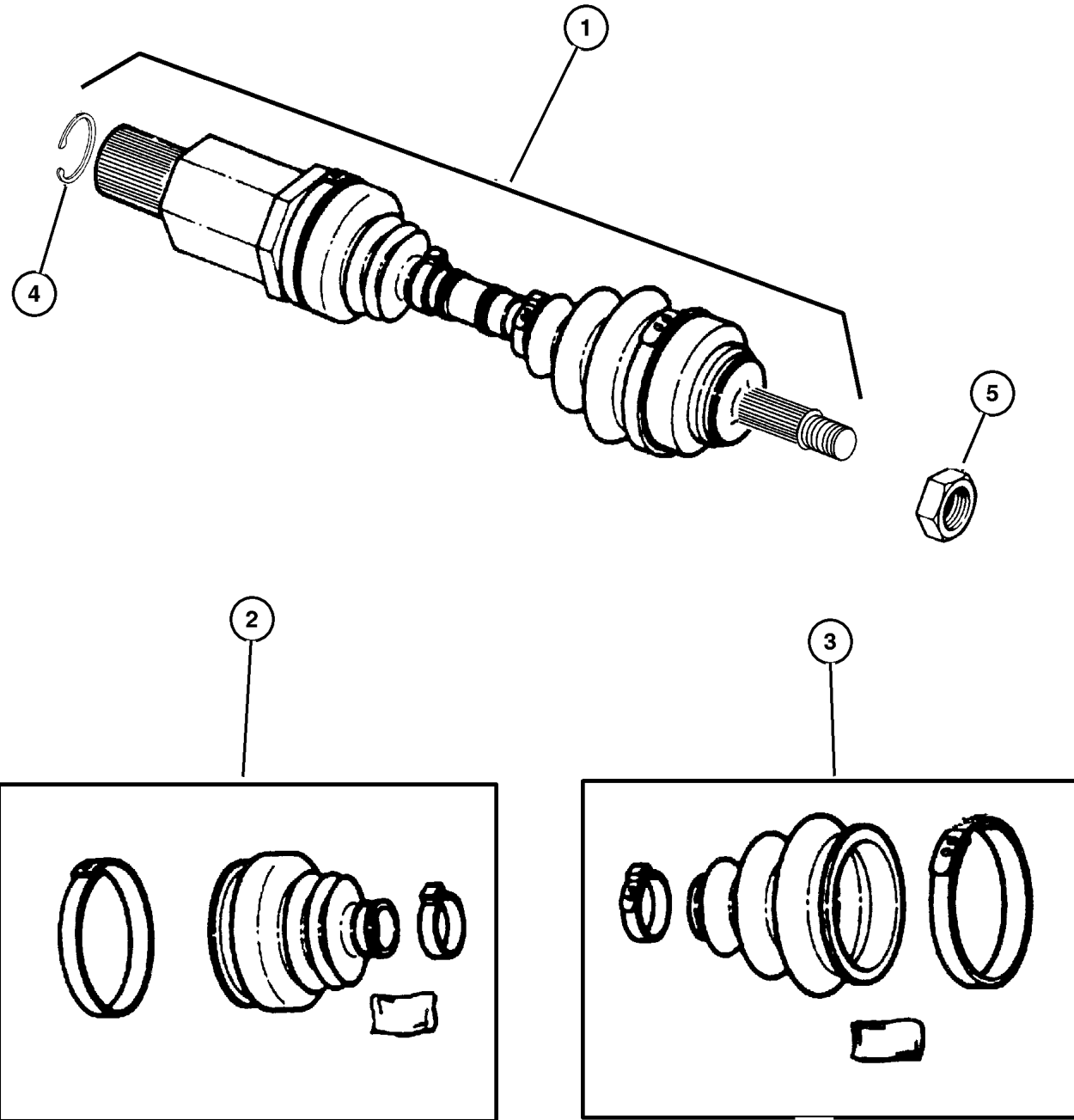
SERIES	LINE	BODY	ENGINE	TRANSMISSION
L=Low Line	Z= RHD	41 = 4 Door, 104.0WB	ECB =2.0L 4 Cyl. SOHC	DD5 = 5 Speed Manual
H=High Line	D= Dodge		EBD = 1.8L 4Cyl SOHC	DGC = 3 Speed Automatic
	D= Chrysler			DG0 = All Automatic
	P= Plymouth			DBB = All Manual

AR = Use as required - = Non illustrated part # = New this model year

May 3, 2002

Shaft, Front Drive  
Figure 002-205

ITEM	PART NUMBER	QTY	LINE	BODY	ENGINE	TRANS	DESCRIPTION
Sales Code: manual, 12 Disc Magazine.							
[EBD]=1.8L 4 Cyl. SOHC 16 Valve manual, 12 Disc Magazine.							
[ECB]=2.0L 4 Cyl. SOHC 16 Valve manual, 12 Disc Magazine.							
[DD5]=5 Sp. Manual Trans. manual, 12 Disc Magazine.							
[DGC]=3 Sp. Auto. Trans. manual, 12 Disc Magazine.							
1	#4668 953AC	1			EBD, ECB		SHAFT, Axle Half Left
	#4668 952AE	1			EBD, ECB	DD5	[DD5], Right
	#4668 956AD	1				DGC	[DGC], Right
2	#5014 912AA	1				DGC	BOOT KIT, Half Shaft, Inner w/or w/o ABS, Right
	#5014 913AA	1			EBD, ECB		w/or w/o ABS, Left
3	#5014 914AA	2			EBD, ECB		BOOT KIT, Half Shaft, Outer, w/or w/o ABS
4	4797 704	2			EBD, ECB		CIRCLIP, Half Shaft
5	#6505 309AA	2					NUT, (Use one Time Only)



DODGE - PLYMOUTH - CHRYSLER NEON (PL)

SERIES	LINE	BODY	ENGINE	TRANSMISSION
L=Low Line	Z= RHD	41 = 4 Door, 104.0WB	ECB =2.0L 4 Cyl. SOHC	DD5 = 5 Speed Manual
H=High Line	D= Dodge		EBD = 1.8L 4Cyl SOHC	DGC = 3 Speed Automatic
	D= Chrysler			DG0 = All Automatic
	P= Plymouth			DBB = All Manual

AR = Use as required - = Non illustrated part # = New this model year

May 3, 2002



# Group – 004

## Parking Brake

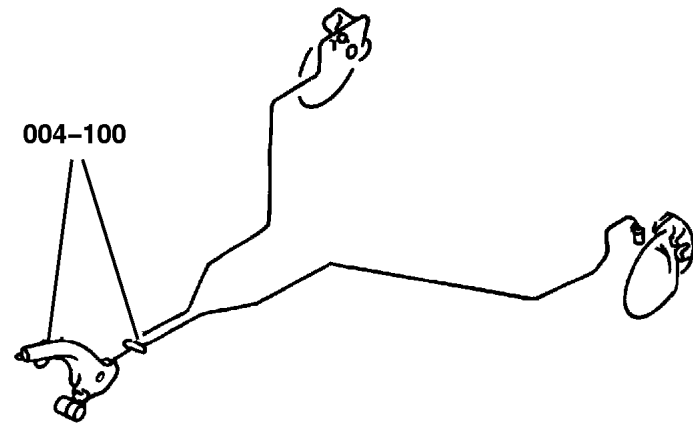
### GROUP 4 - Parking Brake


Illustration Title

Group-Fig. No.

#### Parking Brake Lever and Cables

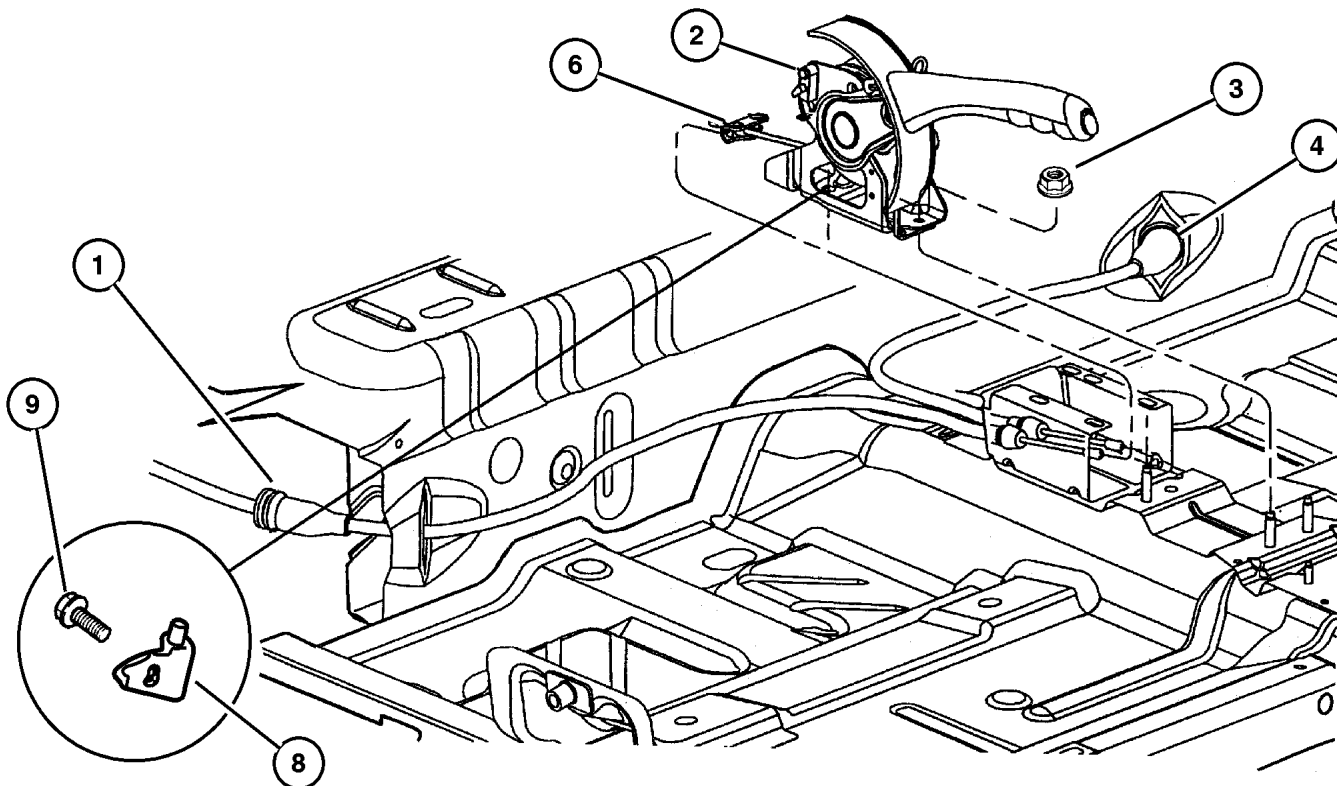
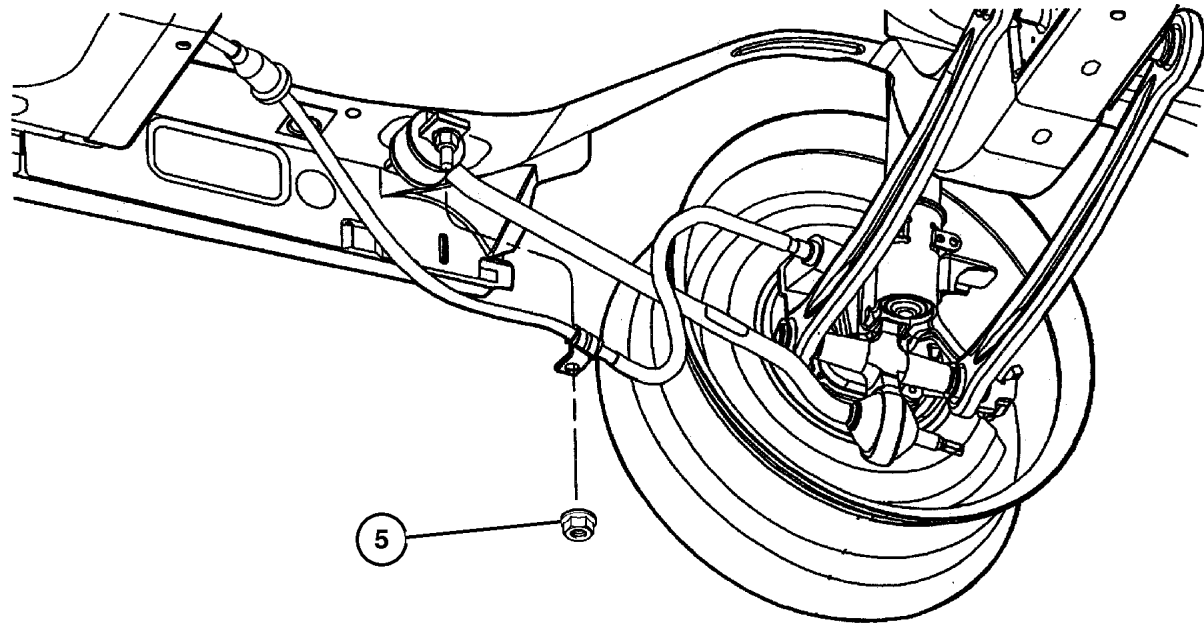
Lever and Cables ..... Fig. 004-105



<p><b>004-100</b> Parking Brake Lever and Cables</p> 			
--	--	--	--

**Lever and Cables**  
**Figure 004-105**

ITEM	PART NUMBER	QTY	LINE	BODY	DESCRIPTION
1					CABLE, Parking Brake
	#4509 892AC	1			Rear with Disc/Drum, Right
	#4509 894AC	1			Rear with Disc/Disc with or without ABS, Right
2	#4509 778AB	1			LEVER, Park Brake, Assy
3	6505 669AA	2			NUT, Hex Flange, M8x1.25
4					CABLE, Parking Brake
	#4509 893AC	1			Rear with Disc/Drum, Left
	#4509 895AC	1			Rear with Disc/Disc with or without ABS, Left
5	6502 337	4			NUT, M10x1.5
6					EQUALIZER, Parking Brake Cable, (Service in Lever Assy), (NOT SERVICED)
-7	3420 1686	2			BOLT, Hex Flange Head, M12x1.18x35, Parking Brake Brkt Attach Backing Plate
8	5209 922	1			SWITCH, Parking Brake
9					SCREW, Tap/Hex Flg Hd Light Switch to P/Brk Lvr Mtg .190-24x.750, (NOT SERVICED)



**DODGE - PLYMOUTH - CHRYSLER NEON (PL)**

SERIES	LINE	BODY	ENGINE	TRANSMISSION
L=Low Line	Z= RHD	41 = 4 Door, 104.0WB	ECB =2.0L 4 Cyl. SOHC	DD5 = 5 Speed Manual
H=High Line	D= Dodge		EBD = 1.8L 4Cyl SOHC	DGC = 3 Speed Automatic
	D= Chrysler			DG0 = All Automatic
	P= Plymouth			DBB = All Manual

AR = Use as required - = Non illustrated part # = New this model year

May 3, 2002

# Group – 005

## Service Brakes

### GROUP 5 - Service Brakes

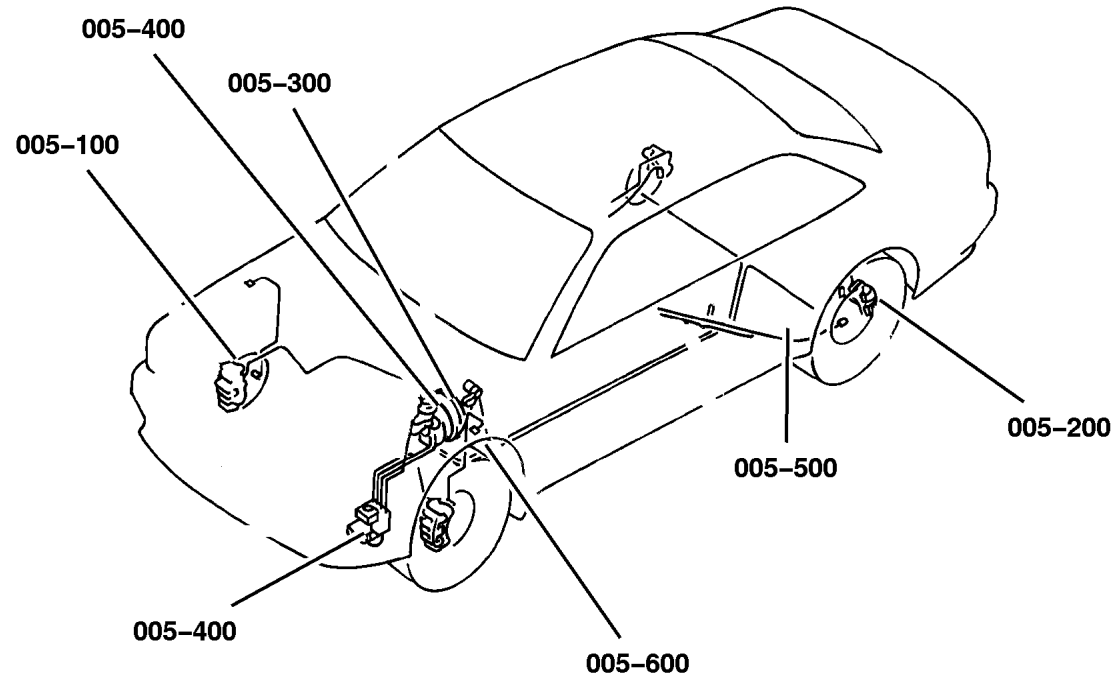


Illustration Title

Group-Fig. No.

#### Front Brakes

Brakes, Front ..... Fig. 005-105

#### Rear Brakes

Brakes, Rear Drum ..... Fig. 005-205

Brakes, Rear Disc ..... Fig. 005-207

#### Power Brake Booster

Booster, Power Brake ..... Fig. 005-305

#### Brake Master Cylinder

Master Cylinder ..... Fig. 005-405

Anti-Lock Brake Control ..... Fig. 005-410

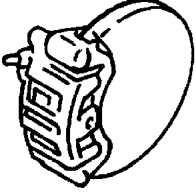
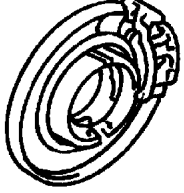
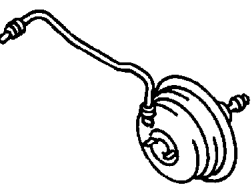
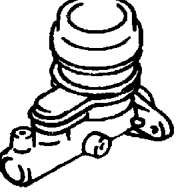
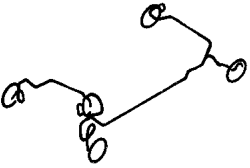

#### Brake Lines and Hoses

Lines and Hoses, Brake without Anti-Lock Brakes ..... Fig. 005-505

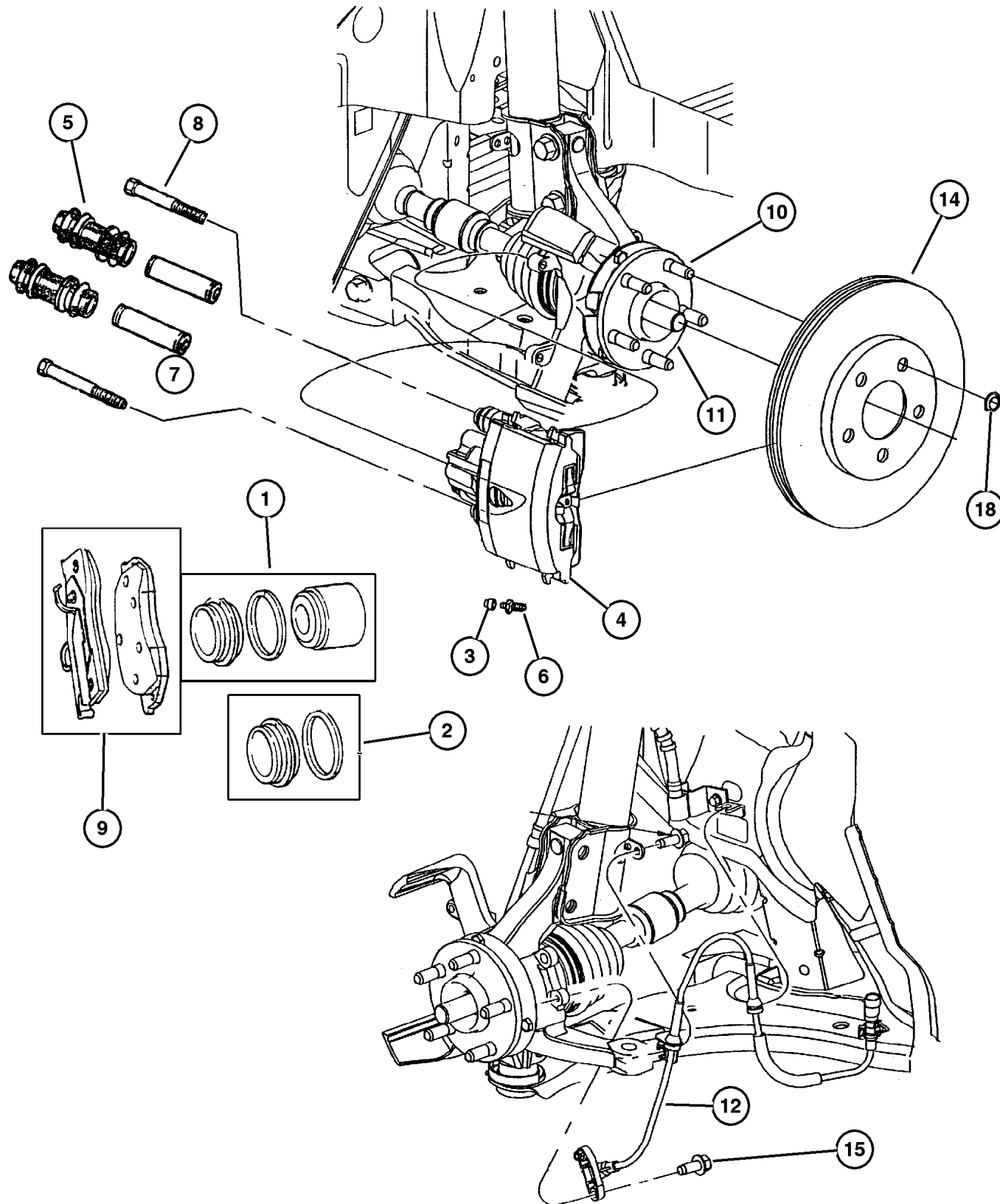
Lines and Hoses, Brake with Anti-Lock Brakes ..... Fig. 005-545

#### Brake Pedals

Pedal, Brake ..... Fig. 005-605

<p><b>005-100</b> Front Brakes</p> 	<p><b>005-200</b> Rear Brakes</p> 	<p><b>005-300</b> Power Brake Booster</p> 	<p><b>005-400</b> Brake Master Cylinder</p> 
<p><b>005-500</b> Brake Lines and Hoses</p> 	<p><b>005-600</b> Brake Pedals</p> 		

## Brakes, Front Figure 005-105



ITEM	PART NUMBER	QTY	LINE	BODY	DESCRIPTION
Sales Codes: manual, 12 Disc Magazine.					
[BRA]= POWER FRONT DISC/REAR DRUM manual, 12 Disc Magazine.					
[BRD]=4-WHEEL DISC manual, 12 Disc Magazine.					
[BRX]= FRONT DISC/REAR DRUM manual, 12 Disc Magazine.					
[BRF]= ANTI-LOCK 4-WHEEL-DISC manual, 12 Disc Magazine.					
[ACR]=COMPETITION GROUP manual, 12 Disc Magazine.					
1	4762 551	1			PISTON PACKAGE, Disc Brake, with BRA
2	4364 779	1			SEAL PACKAGE, Brake Caliper
3	4238 717	1			CAP, Bleeder
4					CALIPER, Disc Brake
	#5014 428AA	1			with BRA, Right
	#5014 429AA	1			with BRA, Left
	#5014 742AA	1			with BRF,BRX, Right
	#5014 743AA	1			with BRF,BRX, Left
5	4383 471	1			BUSHING, Disc Brake Caliper
6	#5014 431AA	1			SCREW, Bleeder
7	4423 573	1			SLEEVE, Disc Brake Caliper
8	6502 527	4			BOLT, Hex Flange Head, M8-1.25x68.50
9					PAD KIT, Front Disc Brake
	#5014 527AA	1			[BRD] [BRX]
		1			[BRF, ACR] Domestic
		1			[BRF] Export
	#5014 438AA	1			[BRF] Domestic
		1			[BRA]
10	6501 053	5			STUD, M12x1.5x41.5
11	#4670 292AC	1			HUB, Wheel
12					SENSOR, Anti-Lock Brakes
	#5273 332	1			Right
	#5273 333	1			Left
-13	#4668 442AA	1			BEARING, Wheel
14	#5273 038AA	2			ROTOR, Brake
15	3420 1686	2			BOLT, Hex Flange Head, M12x1.18x35
-16	4423 572	1			PISTON, Brake, with BRF,BRX
-17	6503 067	5			STUD, Hub, with ACR
18					NUT, Retainer Front Rotor (For M12 Stud), (NOT SERVICED)

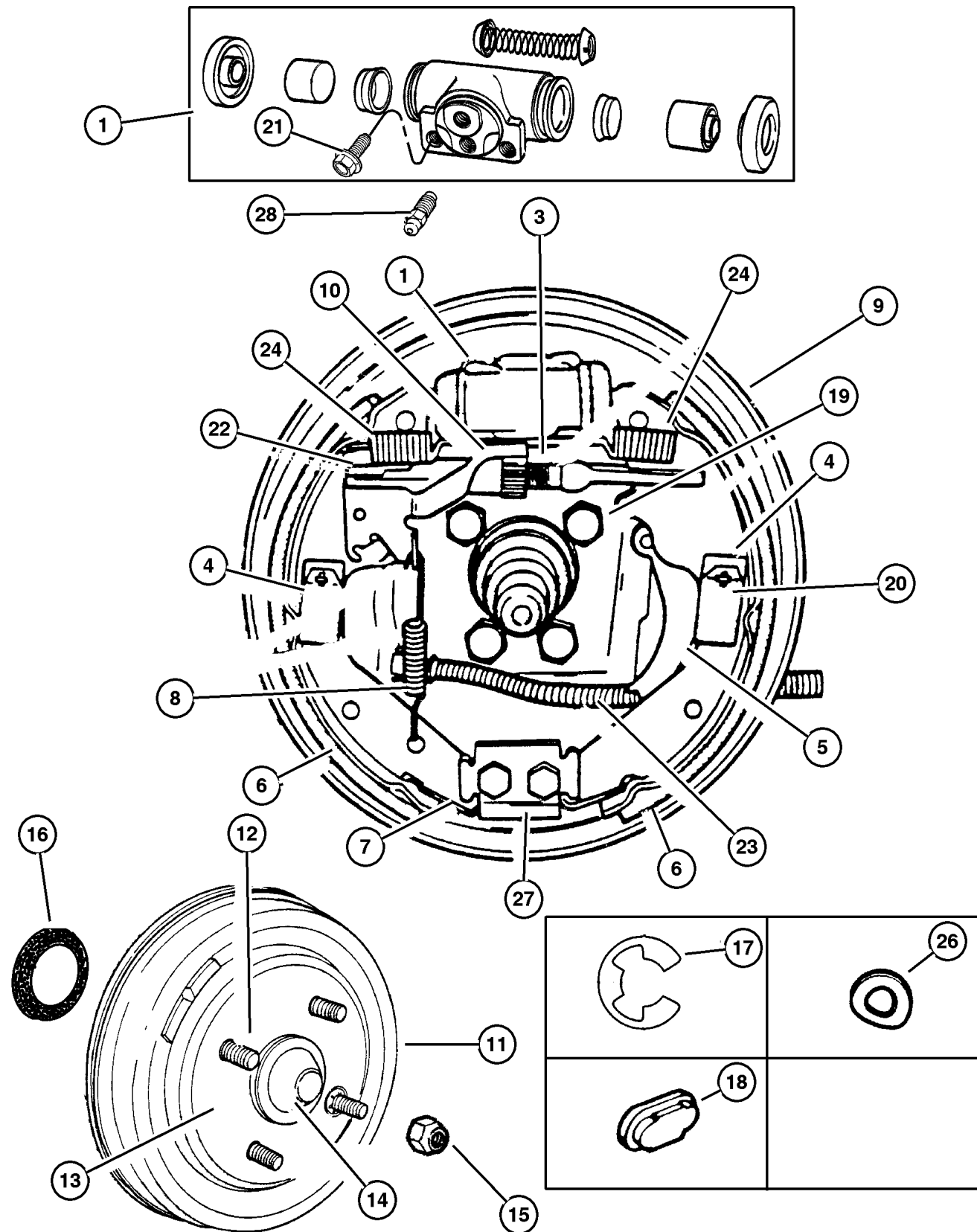
**DODGE - PLYMOUTH - CHRYSLER NEON (PL)**

SERIES	LINE	BODY	ENGINE	TRANSMISSION
L=Low Line	Z= RHD	41 = 4 Door, 104.0WB	ECB =2.0L 4 Cyl. SOHC	DD5 = 5 Speed Manual
H=High Line	D= Dodge		EBD = 1.8L 4Cyl SOHC	DGC = 3 Speed Automatic
	D= Chrysler			DG0 = All Automatic
	P= Plymouth			DBB = All Manual

AR = Use as required - = Non illustrated part # = New this model year

May 3, 2002

## Brakes, Rear Drum Figure 005-205



ITEM	PART NUMBER	QTY	LINE	BODY	DESCRIPTION
1	#5014 425AA	1			CYLINDER, Wheel
-2	4238 717	1			CAP, Bleeder
3	4238 728	1			SOCKET, Brake Adjusting Screw
4	4383 543	1			CLIP, Brake Shoe Hold Down
5					LEVER, Park Brake Adjusting
	4762 530	1			Right
	4762 531	1			Left
6	4762 537	1			SHOE KIT, Brake
7	4238 730	1			SPRING, Brake Shoe Return
8	4238 851	1			SPRING, Brake Auto Adjuster Lever
9					PLATE, Brake Backing
	#5014 928AA	1			Right
	#5014 929AA	1			Left
10					LEVER, Park Brake Adjusting
	#5014 996AA	1			Right
	#5014 997AA	1			Left
11	5273 983	2			DRUM, Brake
12	4746 174	2			STUD, Wheel
13					HUB AND BEARING, Brake
	#4509 766	2			Without ABS, Right And Left
	#4509 767	2			With ABS, Right And Left
14	4509 396	2			CAP, Wheel Bearing
15	6504 266	20			NUT, Wheel, M12x1.50
16	4509 544	2			SEAL, Brake Support
17	4238 716	1			CLIP, Parking Brake Pin Lever
18	#4238 721	1			PLUG, Brake Adjusting Hole
19	6503 579	8			BOLT AND CONED WASHER, Hex Head, M10x1.5x30
20	4762 536	1			PIN, Brake Shoe Hold Down
21					BOLT, Wheel Cylinder, (NOT SERVICED)
22					ADJUSTER, Parking Brake
	#4762 534	1			Right
	#4762 535	1			Left
23	#4509 893AD	2			CABLE, Parking Brake
24	#5015 004AA	1			SPRING, Brake Shoe Return
-25					NUT, Push Rear Drum Retainer for M12 Stud , (NOT SERVICED)
26	4238 715	1			SCREW, Rear Wheel Brake Cylinder Mounting
27					PLATE, Anchor (Service in Backing Plate) , (NOT SERVICED)
28	#5014 431AA	1			SCREW, Bleeder
-29	6502 432	2			LOCK NUT, Rear Spindle, M20-1.50

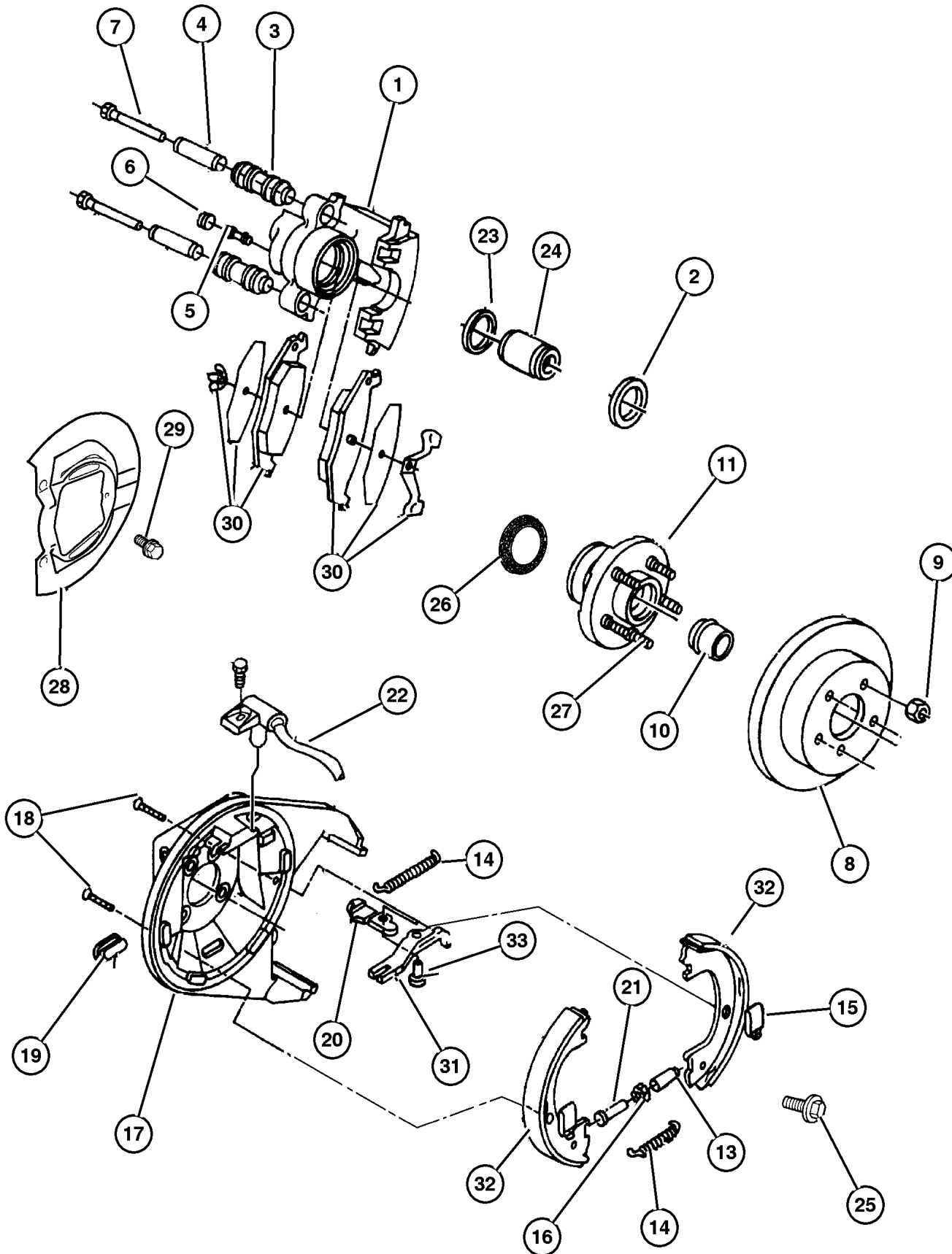
### DODGE - PLYMOUTH - CHRYSLER NEON (PL)

SERIES	LINE	BODY	ENGINE	TRANSMISSION
L=Low Line	Z= RHD	41 = 4 Door, 104.0WB	ECB =2.0L 4 Cyl. SOHC	DD5 = 5 Speed Manual
H=High Line	D= Dodge		EBD = 1.8L 4Cyl SOHC	DGC = 3 Speed Automatic
	D= Chrysler			DG0 = All Automatic
	P= Plymouth			DBB = All Manual

AR = Use as required - = Non illustrated part # = New this model year

May 3, 2002

Brakes, Rear Disc  
Figure 005-207



ITEM	PART NUMBER	QTY	LINE	BODY	DESCRIPTION
1					CALIPER, Disc Brake
	#5014 784AA	1			Right
	#5014 785AA	1			Left
2	4383 879	1			BOOT, Brake Piston
3	4383 471	1			BUSHING, Disc Brake Caliper
4	4423 573	1			SLEEVE, Disc Brake Caliper
5	#5014 431AA	1			SCREW, Bleeder
6	4238 717	1			CAP, Bleeder
7	6502 527	4			BOLT, Hex Flange Head, M8-1.25x68.50
8	#4509 553AB	2			ROTOR, Brake
9					NUT, Wheel Chrome, M12x1.5
	6502 738	20			w/Style Wheels
	6504 266	20			w/Wheel Covers
10	4509 396	2			CAP, Wheel Bearing
11					HUB AND BEARING, Brake
	#4509 766	2			w/o ABS
	#4509 767	2			w/ABS
-12	6502 432	2			LOCK NUT, Rear Spindle, M20-1.50
13	4509 504	1			SOCKET, Brake Adjusting Screw
14					SPRING, Park Brake Shoe Return
	4383 541	1			Upper
	#5014 930AA	1			Lower
15	4383 543	1			CLIP, Brake Shoe Hold Down
16	4383 539	1			NUT, Parking Brake Adjusting
17					ADAPTER, Disc Brake Caliper
	4762 684	1			Right
	4762 685	1			Left
18	4238 733	1			PIN, Brake Shoe Hold Down
19	4238 721	1			PLUG, Brake Adjusting Hole
20					LEVER, Park Brake Adjusting
	4882 208	1			Right
	4882 209	1			Left
21	4509 503	1			SCREW, Parking Brake
22					SENSOR, Anti-Lock Brakes
	#5273 330	1			Right
	#5273 331	1			Left
23	4383 880	1			SEAL, Caliper Piston
24	4383 878	1			PISTON, Brake
25	6503 579	8			BOLT AND CONED WASHER, Hex Head, M10x1.5x30
26	4509 544	2			SEAL, Brake Support
27	4746 174	2			STUD, Wheel
28					SHIELD, Brake
	4728 110	1			Right

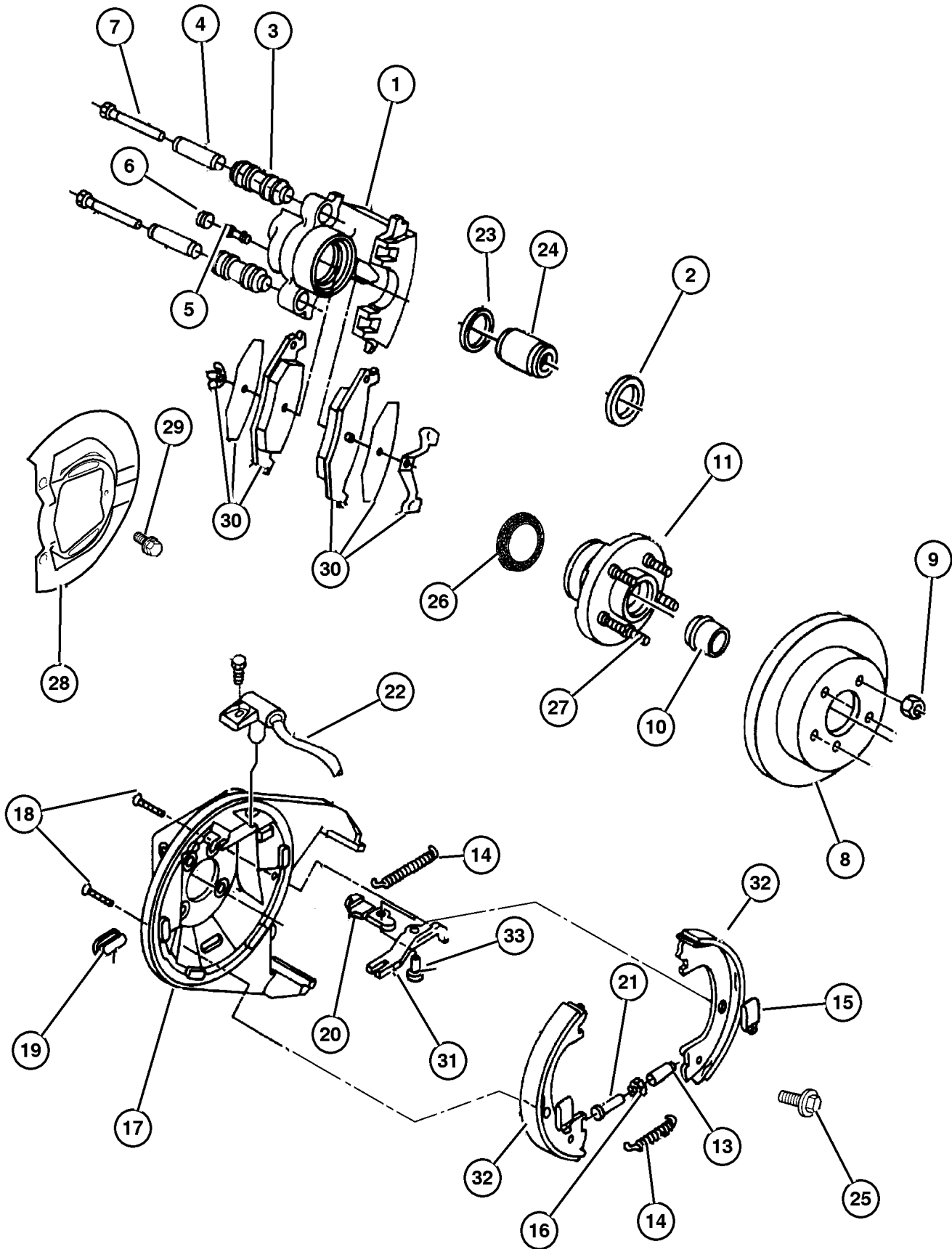
DODGE - PLYMOUTH - CHRYSLER NEON (PL)

SERIES	LINE	BODY	ENGINE	TRANSMISSION
L=Low Line	Z= RHD	41 = 4 Door, 104.0WB	ECB =2.0L 4 Cyl. SOHC	DD5 = 5 Speed Manual
H=High Line	D= Dodge		EBD = 1.8L 4Cyl SOHC	DGC = 3 Speed Automatic
	D= Chrysler			DG0 = All Automatic
	P= Plymouth			DBB = All Manual

AR = Use as required - = Non illustrated part # = New this model year

May 3, 2002

Brakes, Rear Disc  
Figure 005-207



ITEM	PART NUMBER	QTY	LINE	BODY	DESCRIPTION
	4728 111	1			Left
29	4723 981	1			SCREW, Rear Brake Dust Shield to Adapter
30	5011 630AA	1			PAD, Disc Brake
31					LINK, Brake Cylinder, [Service with Lever], (NOT SERVICED)
32	4741 772	1			SHOE AND LINING, parking Brake
33					PIN, [Service with Lever], (NOT SERVICED)

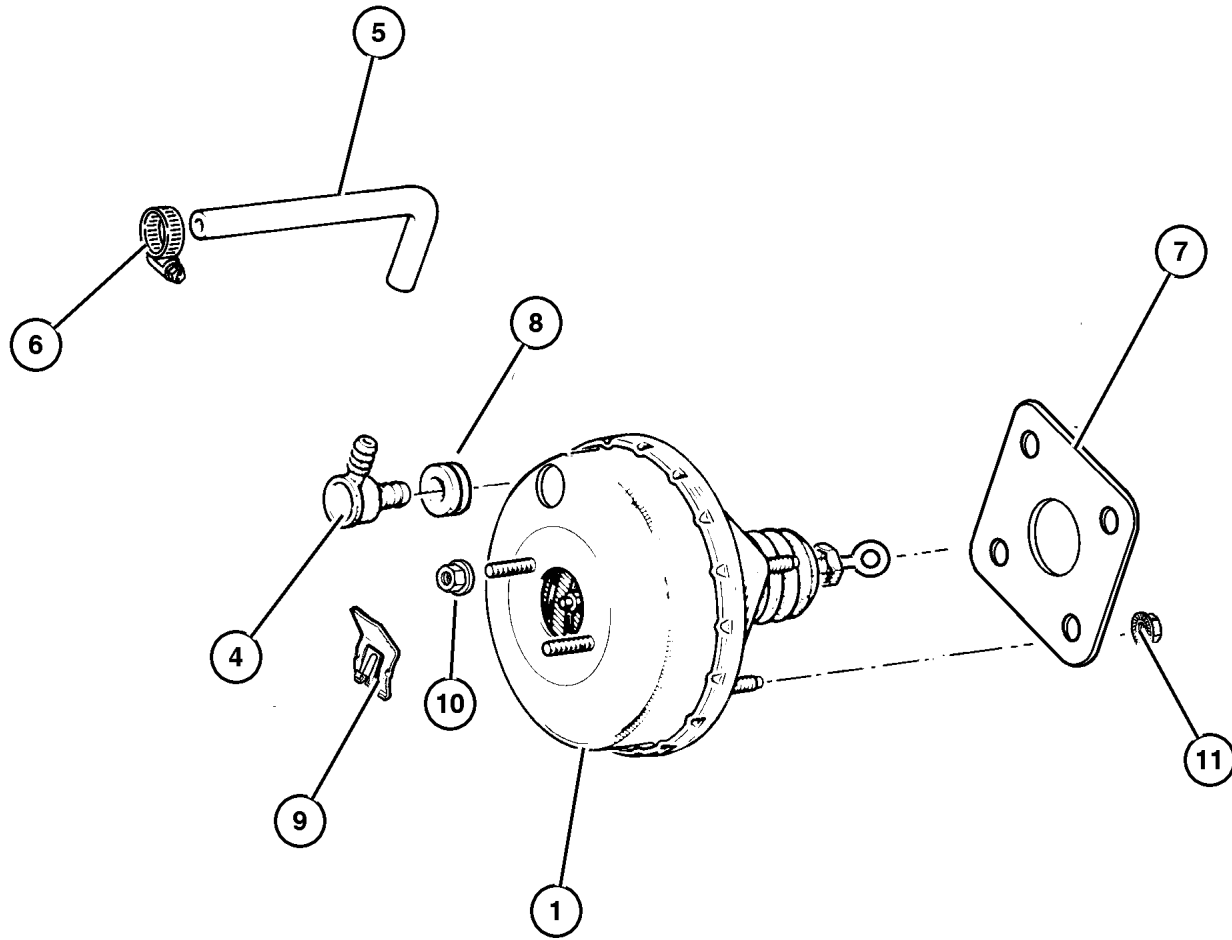
DODGE - PLYMOUTH - CHRYSLER NEON (PL)  
 SERIES LINE BODY ENGINE TRANSMISSION  
 L=Low Line Z=RHD 41 = 4 Door, 104.0WB ECB =2.0L 4 Cyl. SOHC DD5 = 5 Speed Manual  
 H=High Line D= Dodge EBD = 1.8L 4Cyl SOHC DGC = 3 Speed Automatic  
 P= Plymouth DBB = All Manual

AR = Use as required - = Non illustrated part # = New this model year

May 3, 2002

**Booster, Power Brake  
Figure 005-305**

ITEM	PART NUMBER	QTY	LINE	BODY	DESCRIPTION
Note: Sales Code BRA= Disc/Drum manual, 12 Disc Magazine.					
Note: Sales Code BRX= Disc/Drum (Export) manual, 12 Disc Magazine.					
Note Sales Code BRF= Disc/Disc w/ABS manual, 12 Disc Magazine.					
manual, 12 Disc Magazine.					
manual, 12 Disc Magazine.					
manual, 12 Disc Magazine.					
1					BOOSTER, Power Brake
	#5015 157AA	1	D, P		with BRA,BRX
	#5015 158AA	1			with BRF
-2					CONNECTOR, Brake Booster Vacuum, (NOT REQUIRED)
-3					CONNECTOR, Manifold Vacuum, (NOT REQUIRED)
4	4796 355	1			VALVE, Brake Booster Check
5	#4509 816	1	D, P		HOSE, Brake Booster
6	2448 761	1			CLAMP, Hose
7	3699 447	1			GASKET, Booster To Dash
8	4883 813AA	1			GROMMET, Brake Booster Check Valve
9	6035 334	1			CLIP, Brake Push Rod
10	6502 524	1			NUT, Hex Lock, M8x1.25
11	6101 445	1			NUT AND WASHER, Hex Nut-Coned Washer, M8 x 1.25
-12					TUBE, Brake
	#4509 706AC	1	Z		(Hose, Brake Booster Vac)
	#4509 837AB	1	Z		(Hose, Brake Booster Vac to Engine)
-13					DIAPHRAGM, Brake Master Cylinder, (Service in the Booster), (NOT SERVICED)



**DODGE - PLYMOUTH - CHRYSLER NEON (PL)**

SERIES	LINE	BODY	ENGINE	TRANSMISSION
L=Low Line	Z= RHD	41 = 4 Door, 104.0WB	ECB =2.0L 4 Cyl. SOHC	DD5 = 5 Speed Manual
H=High Line	D= Dodge		EBD = 1.8L 4Cyl SOHC	DGC = 3 Speed Automatic
	D= Chrysler			DG0 = All Automatic
	P= Plymouth			DBB = All Manual

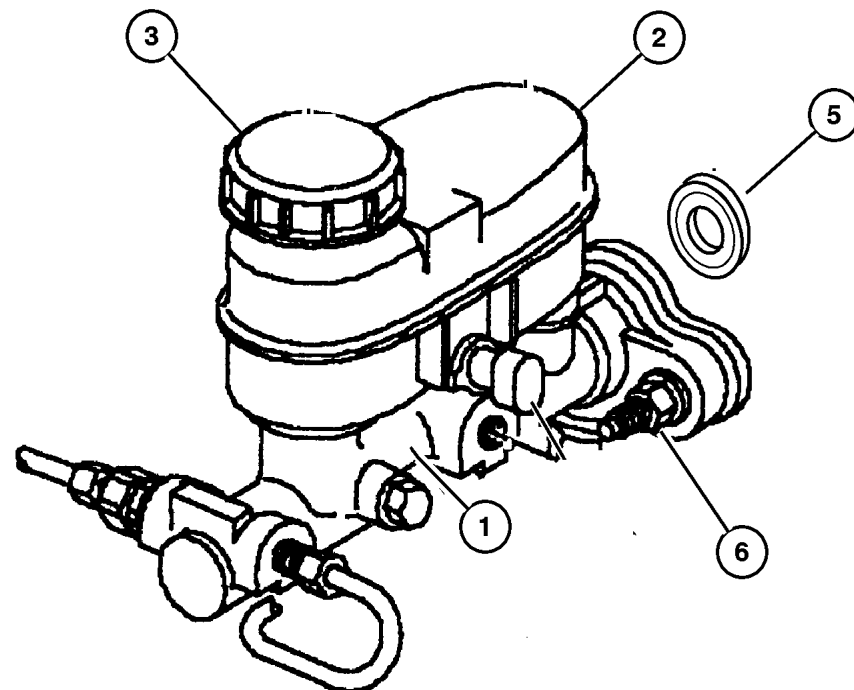
AR = Use as required - = Non illustrated part # = New this model year

May 3, 2002



**Master Cylinder  
Figure 005-405**

ITEM	PART NUMBER	QTY	LINE	BODY	DESCRIPTION
Note: Sales Codes manual, 12 Disc Magazine.					
[BRA]=POWER FRONT DISC/REAR DRUM manual, 12 Disc Magazine.					
[BRD]=4-WHEEL DISC manual, 12 Disc Magazine.					
[BRF]=ANTI-LOCK 4-WHEEL-DISC manual, 12 Disc Magazine.					
[BRX]=FRONT DISC/REAR DRUM manual, 12 Disc Magazine.					
1					MASTER CYLINDER, Brake
	#5015 160AA	1			[BRF]
	#5015 224AA	1			[BRF] Export
	#5015 149AA	1	D, P		[BRA]
	#5069 001AA	1	D, P		[BRD]
	#5015 159AA	1			[BRX]
2	#5015 150AA	1			RESERVOIR, Brake Master Cylinder
3	4683 656	1			CAP, Master Cylinder Reservoir
-4	4883 813AA	1			GROMMET, Brake Booster Check Valve, also M/Cylinder to Reservoir
5	4723 395	1			GASKET, Brake Master Cylinder
6	6502 524	1			NUT, Hex Lock, M8x1.25

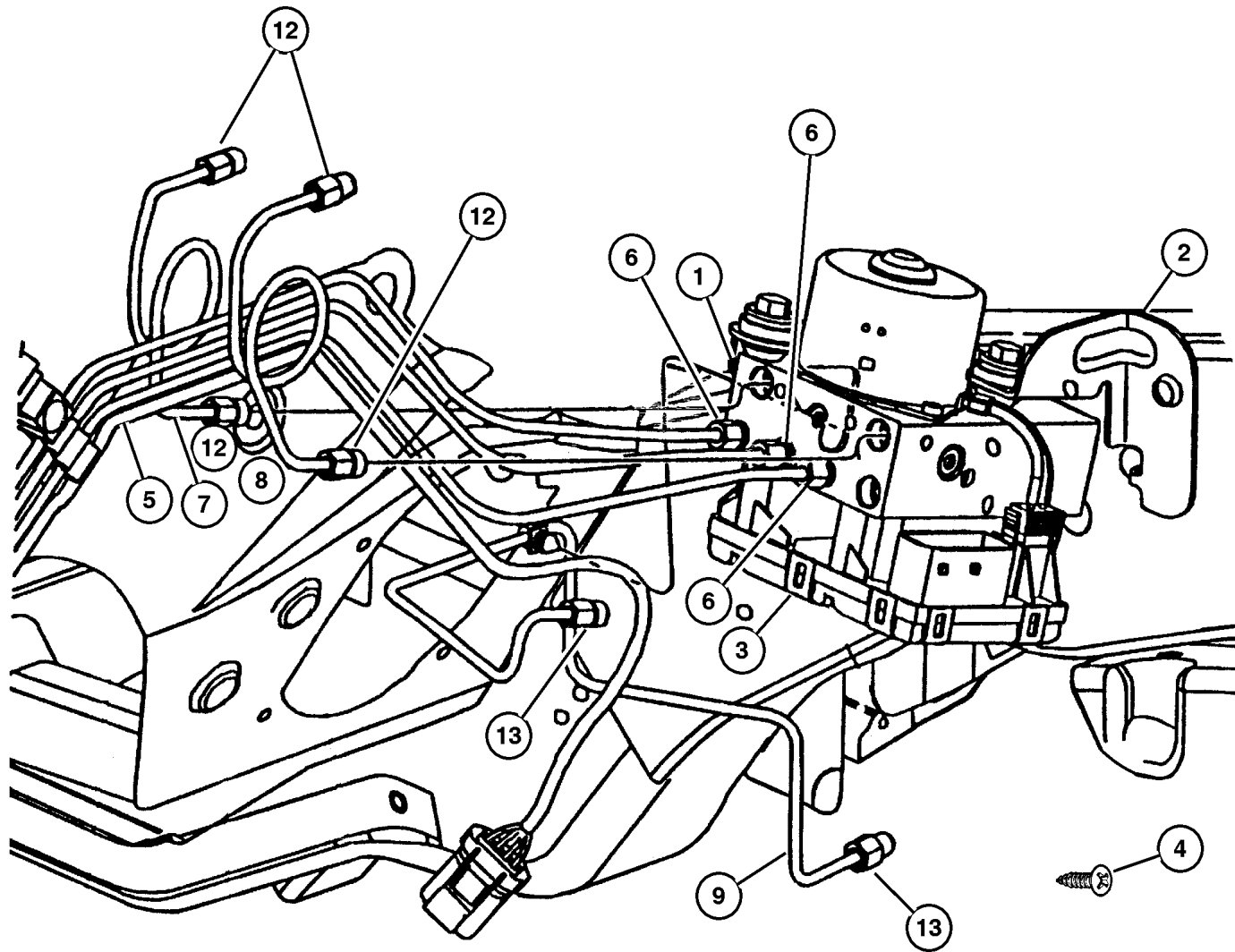


DODGE - PLYMOUTH - CHRYSLER NEON (PL)				
SERIES	LINE	BODY	ENGINE	TRANSMISSION
L=Low Line	Z= RHD	41 = 4 Door, 104.0WB	ECB =2.0L 4 Cyl. SOHC	DD5 = 5 Speed Manual
H=High Line	D= Dodge		EBD = 1.8L 4Cyl SOHC	DGC = 3 Speed Automatic
	D= Chrysler			DG0 = All Automatic
	P= Plymouth			DBB = All Manual

AR = Use as required - = Non illustrated part # = New this model year

May 3, 2002

**Anti-Lock Brake Control  
Figure 005-410**



ITEM	PART NUMBER	QTY	LINE	BODY	DESCRIPTION
1	#5014 869AA	1			HYDRAULIC CONTROL UNIT, Anti-Lock Brake System
2	#5014 870AA	1			BRACKET, Brake Control Unit
3	#5014 871AA	1			MODULE, Anti-Lock Brake System, with Screws for Attch
4	#6102 150AA	3			SCREW, Tapping, M8x1.25x30.00
5					TUBE, Convoluted
	4364 375	1	D, P		Fuel and Brake (Bundle)
		1	Z		Fuel and Brake (Bundle)
6					NUT
	#6036 125AA	1	D, P		.375-24X.850
		1	Z		.375-24X.850
	#6036 126AA	1	D, P		.437-24x.825
		1	Z		.437-24x.825
	#6036 157AA	1	D, P		.437-24x0.85
		1	Z		.437-24x0.85
7					TUBE, Brake
	#4509 780AB	1	D, P		Master Cylinder to HCU, Primary
	#4509 834AB	1	Z		Master Cylinder to HCU, Primary
8					TUBE, Brake
	#4509 776AC	1	D, P		Master Cylinder to HCU, Secondary
	#4509 825AC	1	Z		Master Cylinder to HCU, Secondary
9	#4509 781AD	1			TUBE, Brake, HCU to Front Hose, Left
-10					TUBE, Convoluted
	4364 375	1	D, P		HCU to Front Hose Right
		1	Z		HCU to Front Hose Right
-11					NUT
	#6036 125AA	1	D, P		.375-24x.850
		1	Z		.375-24x.850
	#6036 126AA	1	D, P		.437-24x.825
		1	Z		.437-24x.825
	#6036 157AA	1	D, P		.437-24x0.85
		1	Z		.437-24x0.85
12					NUT
	#6036 125AA	1			.375-24x.850
	#6036 126AA	1			.437-24x.825
13					NUT
	#6036 125AA	1			.375-24x.850
	#6036 126AA	1			.437-24x.825
	#6036 157AA	1	D, P		.437-24x0.85
		1	Z		.437-24x0.85

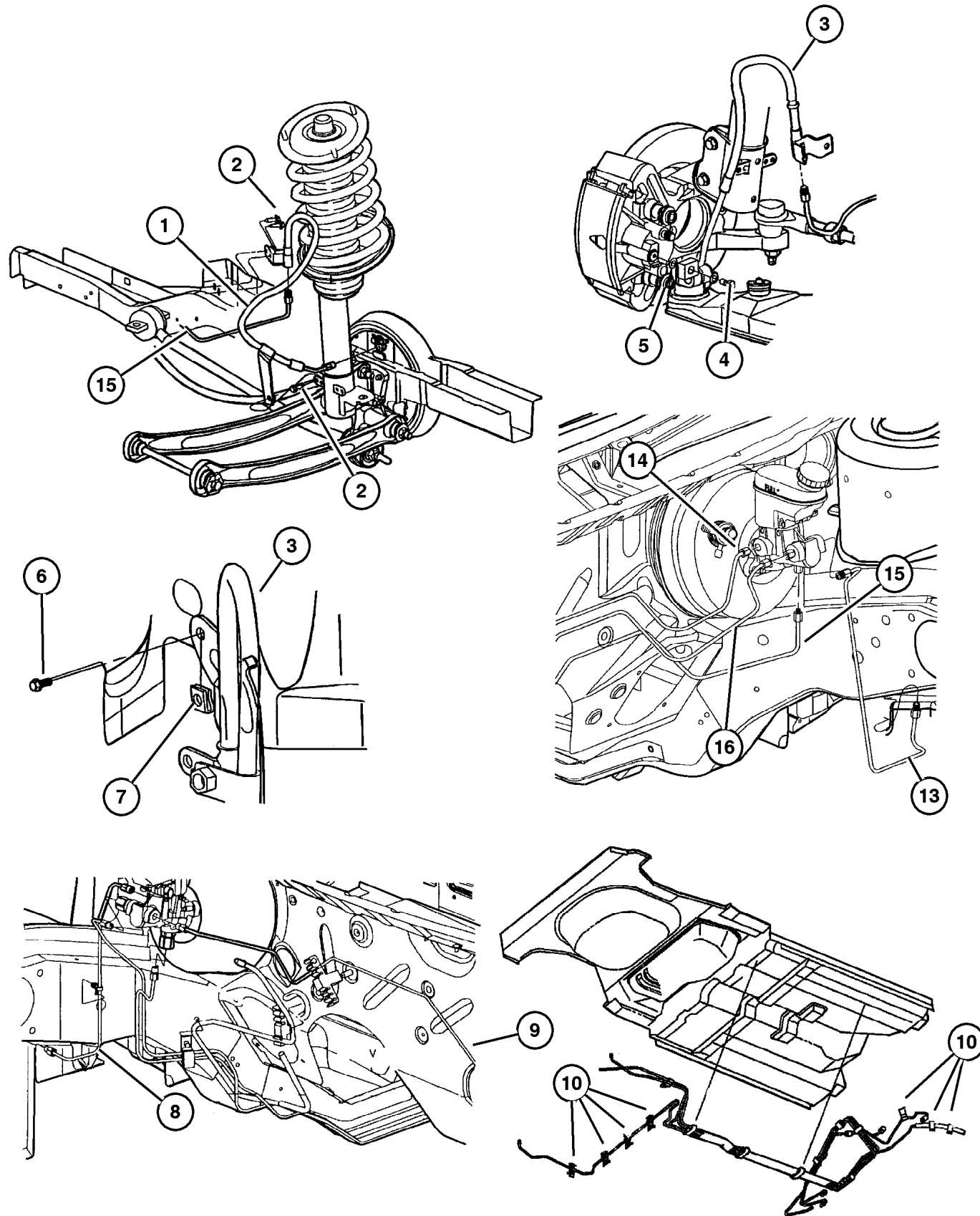
**DODGE - PLYMOUTH - CHRYSLER NEON (PL)**

SERIES	LINE	BODY	ENGINE	TRANSMISSION
L=Low Line	Z= RHD	41 = 4 Door, 104.0WB	ECB =2.0L 4 Cyl. SOHC	DD5 = 5 Speed Manual
H=High Line	D= Dodge		EBD = 1.8L 4Cyl SOHC	DGC = 3 Speed Automatic
	D= Chrysler			DG0 = All Automatic
	P= Plymouth			DBB = All Manual

AR = Use as required - = Non illustrated part # = New this model year

May 3, 2002

**Lines and Hoses, Brake without Anti-Lock Brakes  
Figure 005-505**



ITEM	PART NUMBER	QTY	LINE	BODY	DESCRIPTION
Sales Codes: manual, 12 Disc Magazine.					
BRA= POWER FRONT DISC/REAR DRUM manual, 12 Disc Magazine.					
BRD=4-WHEEL DISC manual, 12 Disc Magazine.					
BRF=ANTI-LOCK 4-WHEEL-DISC manual, 12 Disc Magazine.					
BRA= Disc/Drum manual, 12 Disc Magazine.					
BRX= Disc/Drum manual, 12 Disc Magazine.					
1					HOSE, Brake
	#4509 802AB	1			Drum,Right Rear
	#4509 803AB	1			Drum,Left Rear
	#4509 808AB	1			Disc,Right Rear
	#4509 809AB	1			Disc,Left Rear
2	6505 344AA	2			SCREW, Hex Flange Head Tapping, M6.3 x 1.81 x 20.00, Drum
3					HOSE, Brake
	#4509 794AB	1			[BRD, BRA, BRX], Right Front
	#4509 795AB	1			[BRD, BRA, BRX], Left Front
	#4860 044AA	1			[BRF], Right Front
	#4860 045AA	1			[BRF], Left Front
4	#6505 801AA	2			SCREW, Hex Head
5	6502 114	4			WASHER, Brake Hose
6	3420 1686	2			BOLT, Hex Flange Head, M12x1.18x35
7	6101 712	2			NUT, U, M6x1
8	#4509 856AC	1	Z		TUBE, Brake, Right Front
9	#4509 847AC	1	Z		TUBE, Brake, Left Front
10					CLIP, Fuel Tube
	#5278 180AB	4	D, P		and Brake U/Body 5 Tube
		4	Z		and Brake U/Body 5 Tube
	#5278 181AA	2	D, P		and Brake Rear Rail 3 Tube
		2	Z		and Brake Rear Rail 3 Tube
	#5278 182AB	1	D, P		and Brake Dash 4 Tube
	#5278 218AA	1	Z		and Brake Dash 4 Tube
	#5278 179AB	1	Z		and Brake Dash 7 Tube
		1	D, P		and Brake Dash 7 Tube
-11					CLIP, Tube
	4495 636	4	D, P		and Brake Rail Kick Up
		3	Z		and Brake Rail Kick Up
	4546 674	1	Z		and Brake Front Rail
-12					VALVE, Proportioning
	#5015 181AA	2	D, P		with BRA
	#5015 182AA	2			with BRX
13					TUBE, Brake
	#4509 779AC	1	D, P		Left Front

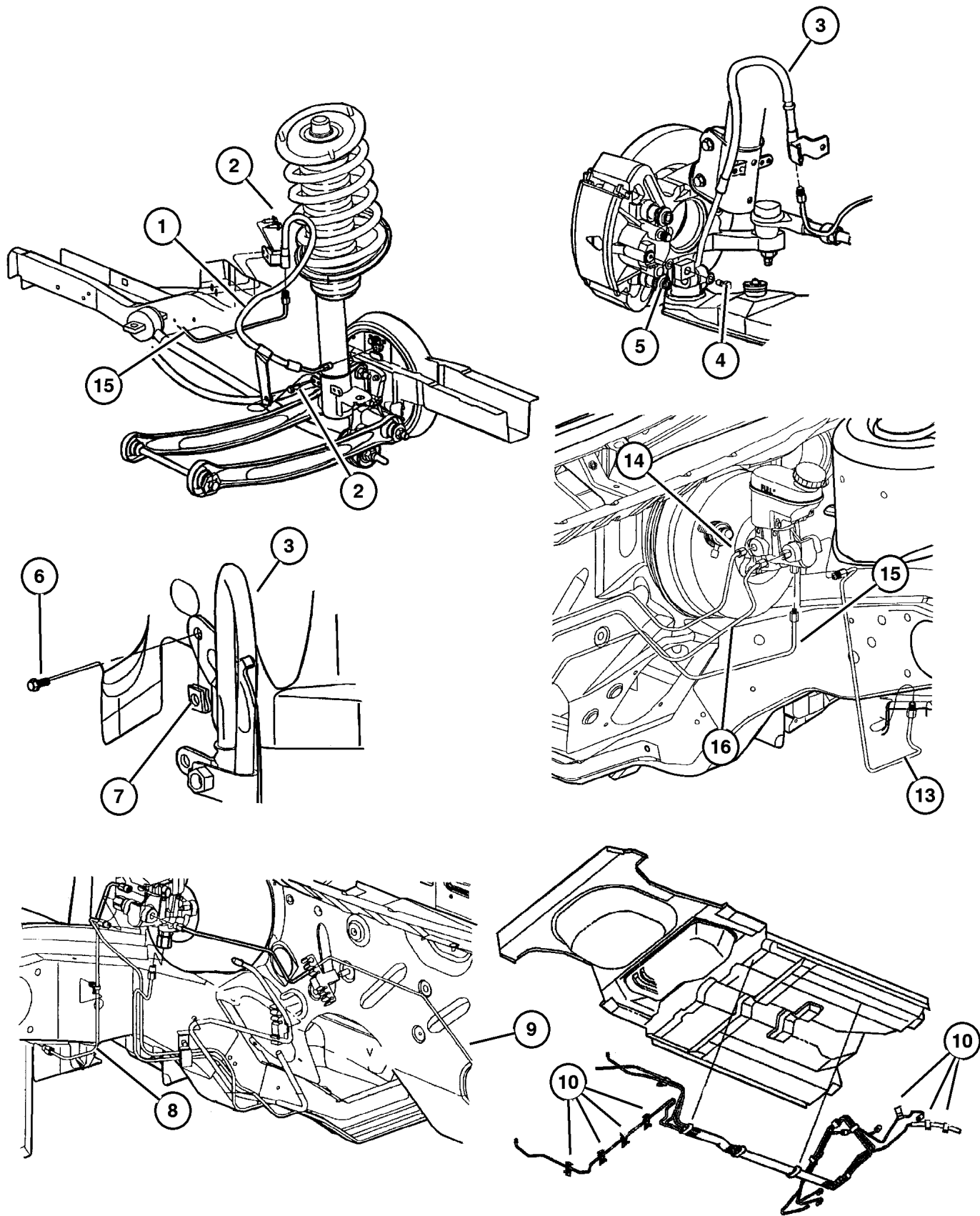
**DODGE - PLYMOUTH - CHRYSLER NEON (PL)**

SERIES	LINE	BODY	ENGINE	TRANSMISSION
L=Low Line	Z= RHD	41 = 4 Door, 104.0WB	ECB =2.0L 4 Cyl. SOHC	DD5 = 5 Speed Manual
H=High Line	D= Dodge		EBD = 1.8L 4Cyl SOHC	DGC = 3 Speed Automatic
	D= Chrysler			DG0 = All Automatic
	P= Plymouth			DBB = All Manual

AR = Use as required - = Non illustrated part # = New this model year

May 3, 2002

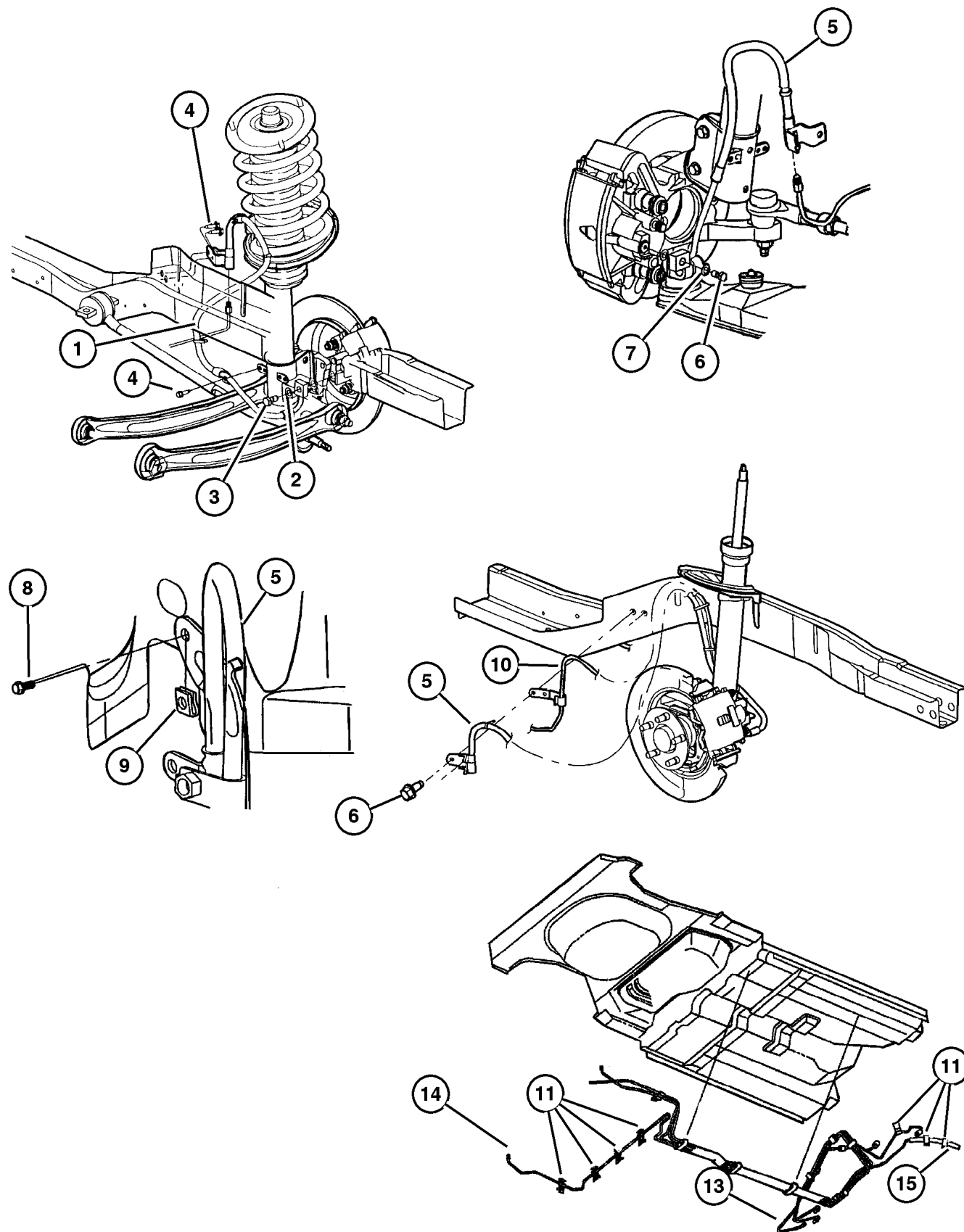
**Lines and Hoses, Brake without Anti-Lock Brakes  
Figure 005-505**



ITEM	PART NUMBER	QTY	LINE	BODY	DESCRIPTION
	#4509 847AD	1	Z		Left Front
14	#5066 871AA	1	D, P		TUBE, Brake, Rt Front
15	#5066 872AA	1	D, P		TUBE, Brake, Rt Rear
	#5066 874AA	1	Z		
16	#5066 873AA	1	D, P		TUBE, Brake, Lt Rear
	#5066 875AA	1	Z		
-17					NUT
	#6036 126AA	1	D, P		.437-24x.825, used with Rough Stock Tubing
		1	Z		.437-24x.825, used with Rough Stock Tubing
	#6036 125AA	1	D, P		.375-24x.850, used with Rough Stock Tubing
		1			.375-24x.850, used with Rough Stock Tubing
	#6036 157AA	2	D, P		.437-24x0.85, used with Rough Stock Tubing
		2	Z		.437-24x0.85, used with Rough Stock Tubing

**DODGE - PLYMOUTH - CHRYSLER NEON (PL)**  
 SERIES LINE BODY ENGINE TRANSMISSION  
 L=Low Line Z=RHD 41 = 4 Door, 104.0WB ECB =2.0L 4 Cyl. SOHC DD5 = 5 Speed Manual  
 H=High Line D= Dodge EBD = 1.8L 4Cyl SOHC DGC = 3 Speed Automatic  
 P= Plymouth DBB = All Manual

**Lines and Hoses, Brake with Anti-Lock Brakes**  
**Figure 005-545**



ITEM	PART NUMBER	QTY	LINE	BODY	DESCRIPTION
1					HOSE, Brake
	#4509 808AB	1			Disc, Right
	#4509 809AB	1			Disc, Left
2	6502 114	4			WASHER, Brake Hose
3	#6505 801AA	2			SCREW, Hex Head
4	6505 344AA	2			SCREW, Hex Flange Head Tapping, M6.3 x 1.81 x 20.00
5					HOSE, Brake
	#4860 044AA	1			Right Front
	#4860 045AA	1			Left Front
6	#6505 801AA	2			SCREW, Hex Head
7	6502 114	4			WASHER, Brake Hose
8	3420 1686	2			BOLT, Hex Flange Head, M12x1.18x35
9	6101 712	2			NUT, U, M6x1
10					SENSOR, Anti-Lock Brakes
	#5273 330	1			Rear, Right
	#5273 331	1			Rear, Left
11					CLIP, Fuel Tube
	#5278 179AA	1	D, P		and Brake Dash 7 Tube
		1	Z		and Brake Dash 7 Tube
	#5278 180AB	4	D, P		and Brake U/Body 5 Tube
		4	Z		and Brake U/Body 5 Tube
	#5278 181AA	2	D, P		and Brake Rear Rail 3 Tube
		2	Z		and Brake Rear Rail 3 Tube
	#5278 182AB	1	D, P		and Brake Dash 4 Tube
	#5278 218AA	1	Z		and Brake Dash 4 Tube
-12					CLIP, Tube
	4495 636	4	D, P		and Brake Rail Kick Up
		3	Z		and Brake Rail Kick Up
	4546 674	1	Z		and Brake Front Rail
13					TUBE, Brake, Rt Rear
	#5066 869AA	1	D, P		
	#5066 877AA	1	Z		
14					TUBE, Brake, Rt Front
	#5066 868AA	1	D, P		
	#5066 876AA	1	Z		
15					TUBE, Brake, Lt Rear
	#5066 870AA	1	D, P		
	#5066 878AA	1	Z		

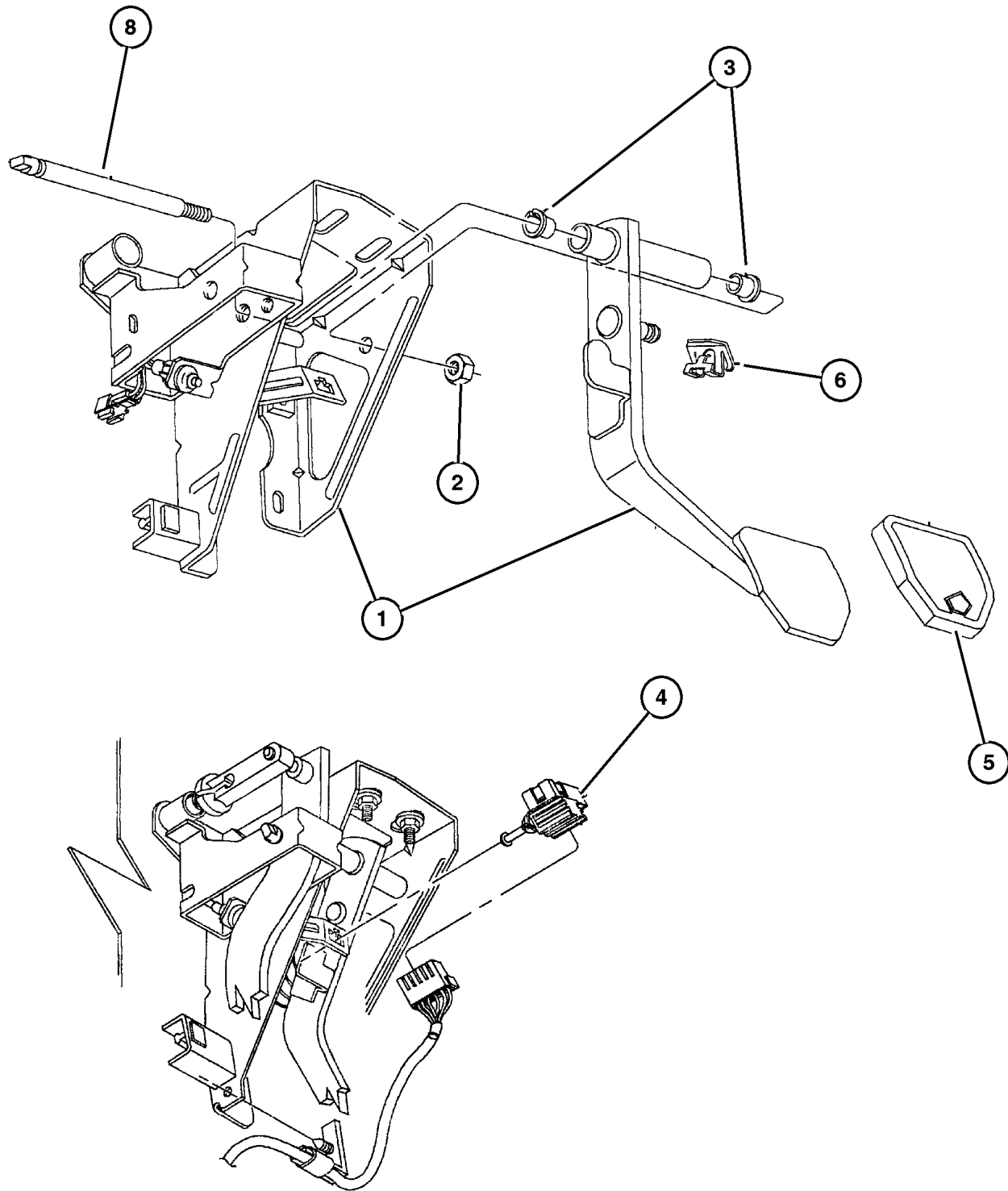
**DODGE - PLYMOUTH - CHRYSLER NEON (PL)**

SERIES	LINE	BODY	ENGINE	TRANSMISSION
L=Low Line	Z= RHD	41 = 4 Door, 104.0WB	ECB =2.0L 4 Cyl. SOHC	DD5 = 5 Speed Manual
H=High Line	D= Dodge		EBD = 1.8L 4Cyl SOHC	DGC = 3 Speed Automatic
	D= Chrysler			DG0 = All Automatic
	P= Plymouth			DBB = All Manual

AR = Use as required - = Non illustrated part # = New this model year

May 3, 2002

**Pedal, Brake**  
**Figure 005-605**



ITEM	PART NUMBER	QTY	LINE	BODY	DESCRIPTION
1					PEDAL, Brake And Clutch
	#4509 768AB	1	Z		with Bracket with Auto Trans
	#4509 769AE	1	Z		with Bracket with Manual Trans
	#5273 646AB	1	D, P		with Bracket with Auto Trans
	#5273 854AE	1	D, P		with Bracket with Manual Trans
2	6500 197	1	D, P		NUT, M10x1.5
3					BUSHING, Pedal Shaft
	2467 770	2	Z		
		2	D, P		
4	4671 336	1			SWITCH, Stop Lamp
5					PAD, Pedal
	4779 027	1	D, P		with Auto Trans
		1	Z		with Auto Trans
6	6035 334	1			CLIP, Brake Push Rod
-7	6101 446	3			NUT AND WASHER
8					SHAFT, Brake Pedal Pivot
	4683 022	1	D, P		
		1	Z		
-9					PAD, clutch
	4683 021	1	Z		and Brake with Manual Trans
		1	D, P		and Brake with Manual Trans

**DODGE - PLYMOUTH - CHRYSLER NEON (PL)**

SERIES	LINE	BODY	ENGINE	TRANSMISSION
L=Low Line	Z= RHD	41 = 4 Door, 104.0WB	ECB =2.0L 4 Cyl. SOHC	DD5 = 5 Speed Manual
H=High Line	D= Dodge		EBD = 1.8L 4Cyl SOHC	DGC = 3 Speed Automatic
	D= Chrysler			DG0 = All Automatic
	P= Plymouth			DBB = All Manual

AR = Use as required - = Non illustrated part # = New this model year

May 3, 2002

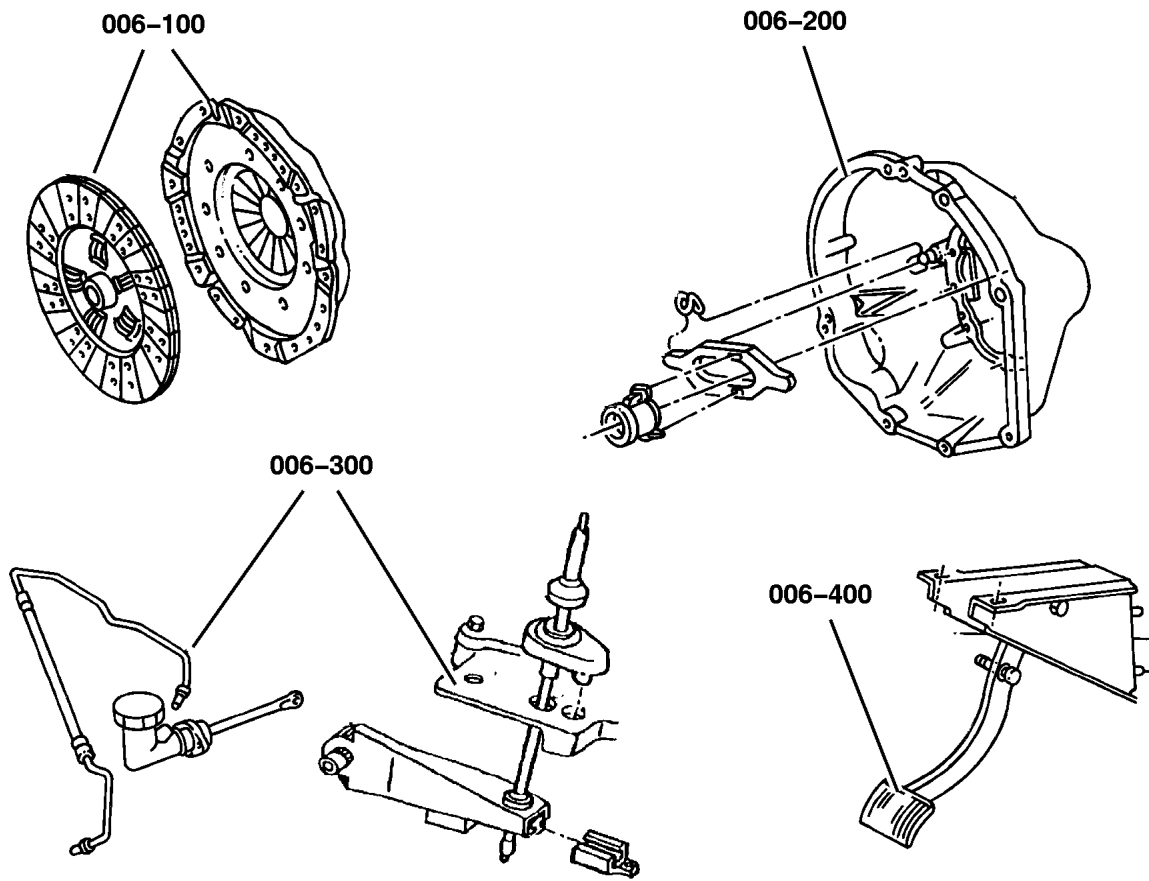
# Group – 006

## Clutch

### GROUP 6 - Clutch

Illustration Title

Group-Fig. No.



#### Clutch

Clutch and Disc, (DD5) ..... Fig. 006-110

#### Clutch Housing

Housing, Clutch and Mounting Bolts, (DD5) ..... Fig. 006-210

#### Clutch Controls

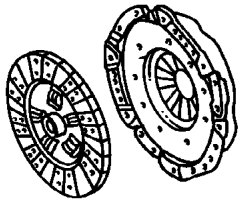
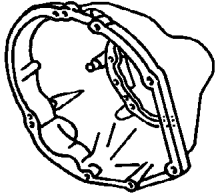
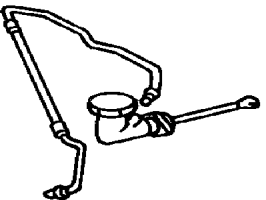
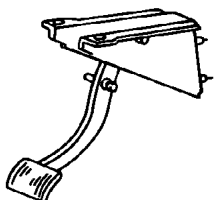
Linkage, Clutch, (DD5) ..... Fig. 006-310

Controls, Release Fork & Bearing, Hydraulic Clutch, RHD, (DD5) ..... Fig. 006-312

Controls, Master Cylinder & Slave Cylinder, Hydraulic Clutch, RHD, (DD5) ..... Fig. 006-315

#### Clutch Pedals

Pedal, Clutch, (DD5) ..... Fig. 006-410

006-100 Clutch	006-200 Clutch Housing	006-300 Clutch Controls	006-400 Clutch Pedals
			

Clutch and Disc, (DD5)  
Figure 006-110

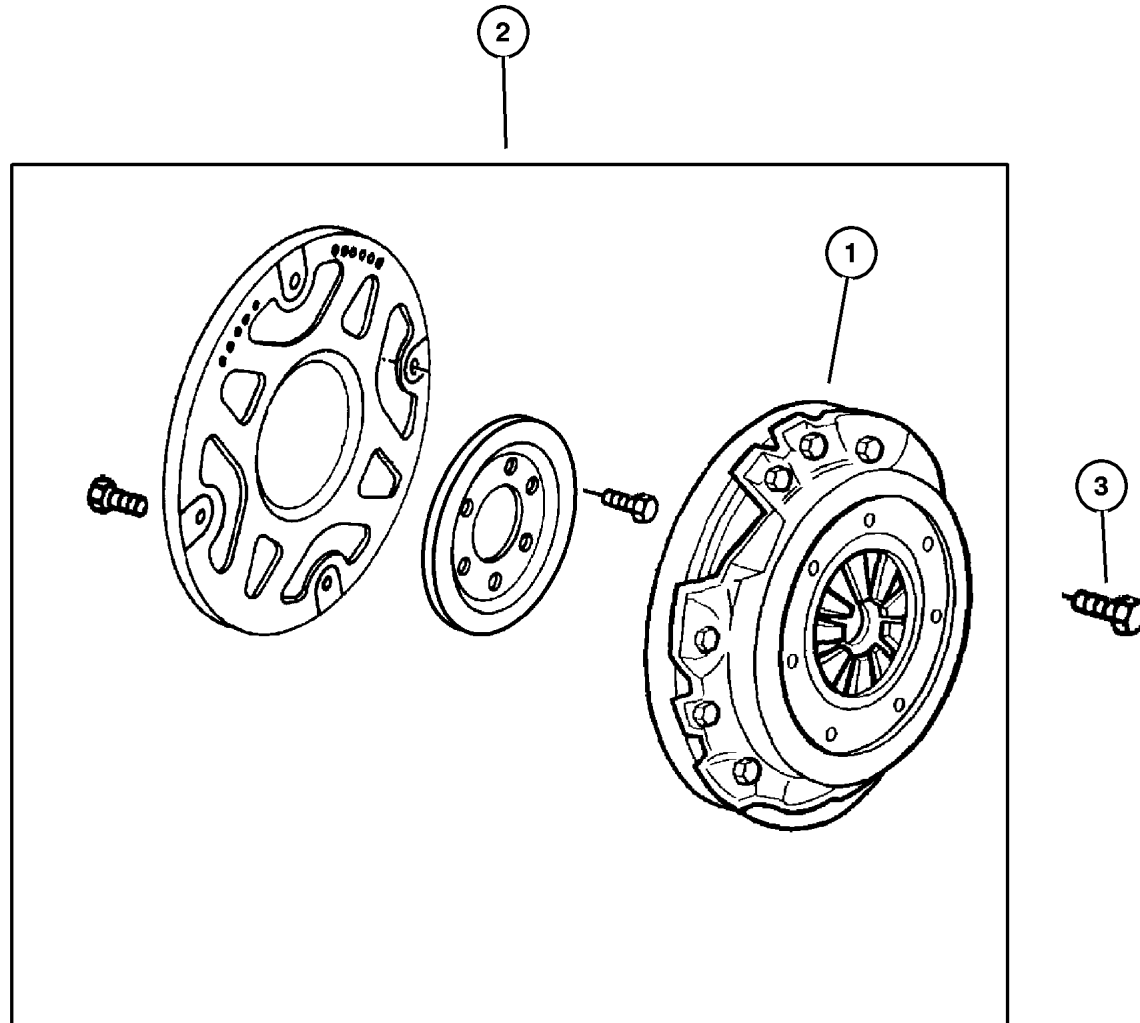
ITEM	PART NUMBER	QTY	LINE	ENGINE	TRANS	DESCRIPTION
------	-------------	-----	------	--------	-------	-------------

NOTE: SALES CODES: DD5 = 5 Spd Manual Trans A578 manual, 12 Disc Magazine.

EBD = 1.8L 4 Cyl - SOHC manual, 12 Disc Magazine.

ECB = 2.0L 4 Cyl - SOHC manual, 12 Disc Magazine.

1	#4668 400AB	1		EBD, ECB	DD5	CLUTCH, Modular
2						CLUTCH PACKAGE, (NOT REQUIRED)
3						BOLT, Hex Head, (NOT REQUIRED)



DODGE - PLYMOUTH - CHRYSLER NEON (PL)

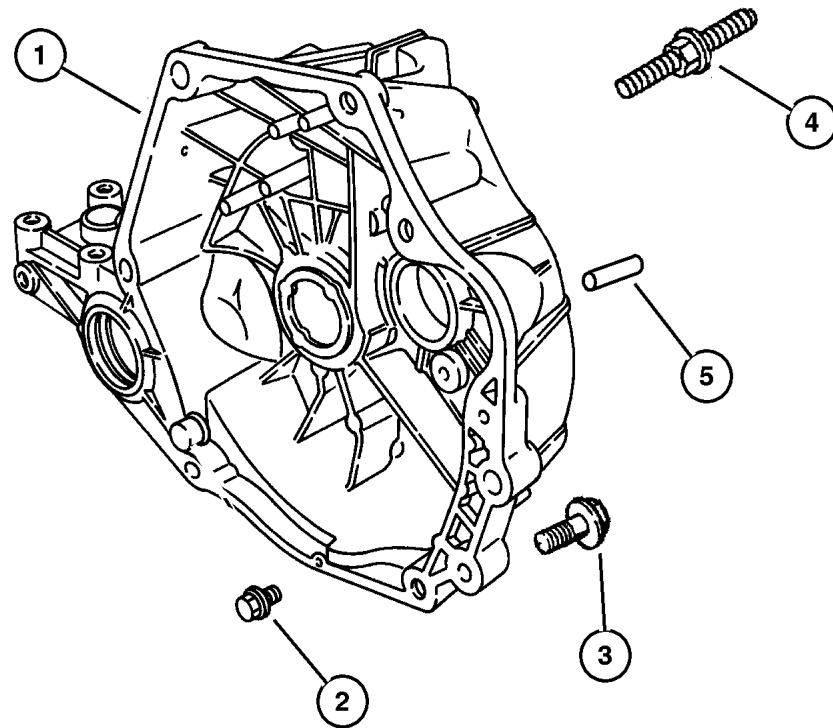
SERIES	LINE	BODY	ENGINE	TRANSMISSION
L=Low Line	Z= RHD	41 = 4 Door, 104.0WB	ECB =2.0L 4 Cyl. SOHC	DD5 = 5 Speed Manual
H=High Line	D= Dodge		EBD = 1.8L 4Cyl SOHC	DGC = 3 Speed Automatic
	D= Chrysler			DG0 = All Automatic
	P= Plymouth			DBB = All Manual

AR = Use as required - = Non illustrated part # = New this model year

May 3, 2002



## Housing, Clutch and Mounting Bolts, (DD5) Figure 006-210



ITEM	PART NUMBER	QTY	LINE	ENGINE	TRANS	DESCRIPTION
NOTE: SALES CODES: DD5 = 5 Spd Manual Trans A578 manual, 12 Disc Magazine. EBD = 1.8L 4 Cyl - SOHC manual, 12 Disc Magazine. ECB = 2.0L 4 Cyl - SOHC manual, 12 Disc Magazine.						
1						HOUSING, Clutch
	4874 130	1	Z	EBD	DD5	
	5003 474AA	1			DD5	
2	6501 755	1			DD5	SCREW AND WASHER, Hex Head, M6x1x16
3	6501 742	3			DD5	SCREW, Hex Head, M12x1.75x50
4						STUD
	#6505 314AA	2		ECB		
		2		EBD		
5						PIN, Locating
	4761 099	2	Z	EBD	DD5	
		2	D, P	ECB	DD5	

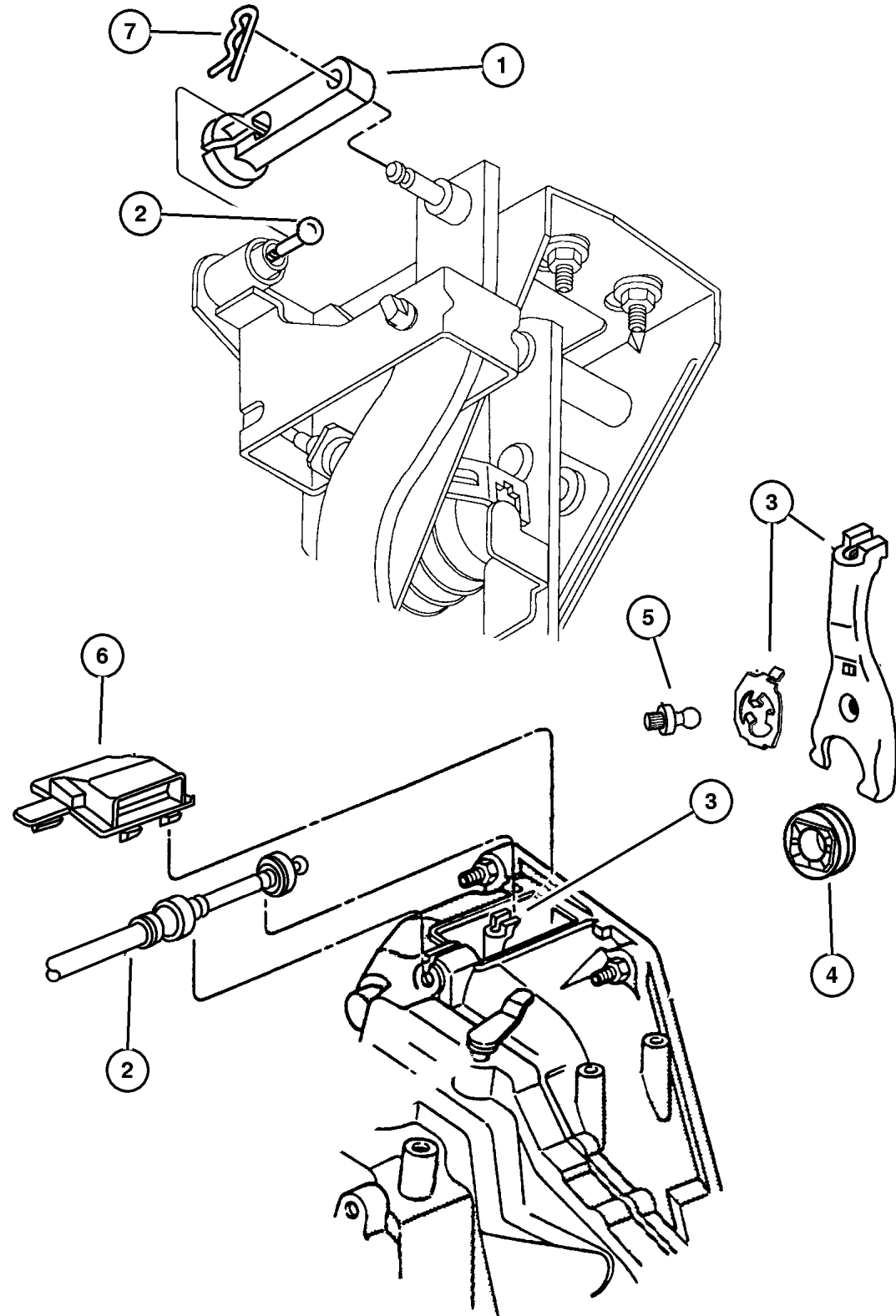
### DODGE - PLYMOUTH - CHRYSLER NEON (PL)

SERIES	LINE	BODY	ENGINE	TRANSMISSION
L=Low Line	Z= RHD	41 = 4 Door, 104.0WB	ECB =2.0L 4 Cyl. SOHC	DD5 = 5 Speed Manual
H=High Line	D= Dodge		EBD = 1.8L 4Cyl SOHC	DGC = 3 Speed Automatic
	D= Chrysler			DG0 = All Automatic
	P= Plymouth			DBB = All Manual

AR = Use as required - = Non illustrated part # = New this model year

May 3, 2002

Linkage, Clutch, (DD5)  
Figure 006-310



ITEM	PART NUMBER	QTY	LINE	ENGINE	TRANS	DESCRIPTION
NOTE: SALES CODES: DD5 - 5 Spd Manual Trans A578 manual, 12 Disc Magazine.						
EBD - 1.8L 4 Cyl - SOHC manual, 12 Disc Magazine.						
1	4670 277	1	D, P		DD5	SPACER, Clutch Pedal Adjuster
2	#4668 999	1	D, P		DD5	CABLE, Clutch Release
3	4796 664	1			DD5	LEVER PACKAGE, Clutch Release
4	4670 026	1			DD5	BEARING, Clutch Release
5	4670 240	1			DD5	PIVOT, Clutch Release Lever
6						BOOT, Clutch Release Lever
	4670 019	1	D, P		DD5	
	4670 071	1	Z	EBD	DD5	
7	6034 206	1				PIN, Hair, .250 Dia x.766x.059

DODGE - PLYMOUTH - CHRYSLER NEON (PL)  
 SERIES LINE BODY ENGINE TRANSMISSION  
 L=Low Line Z=RHD 41 = 4 Door, 104.0WB ECB =2.0L 4 Cyl. SOHC DD5 = 5 Speed Manual  
 H=High Line D= Dodge EBD = 1.8L 4Cyl SOHC DGC = 3 Speed Automatic  
 D= Chrysler DG0 = All Automatic  
 P= Plymouth DBB = All Manual

AR = Use as required - = Non illustrated part # = New this model year

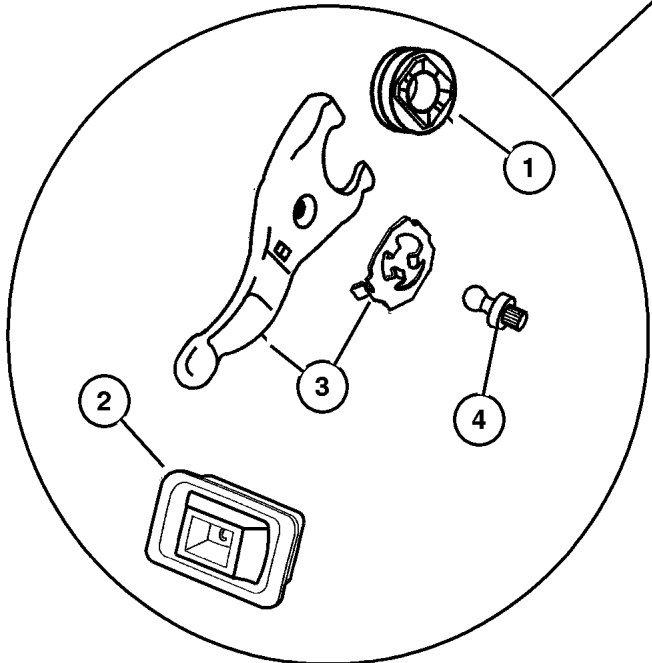
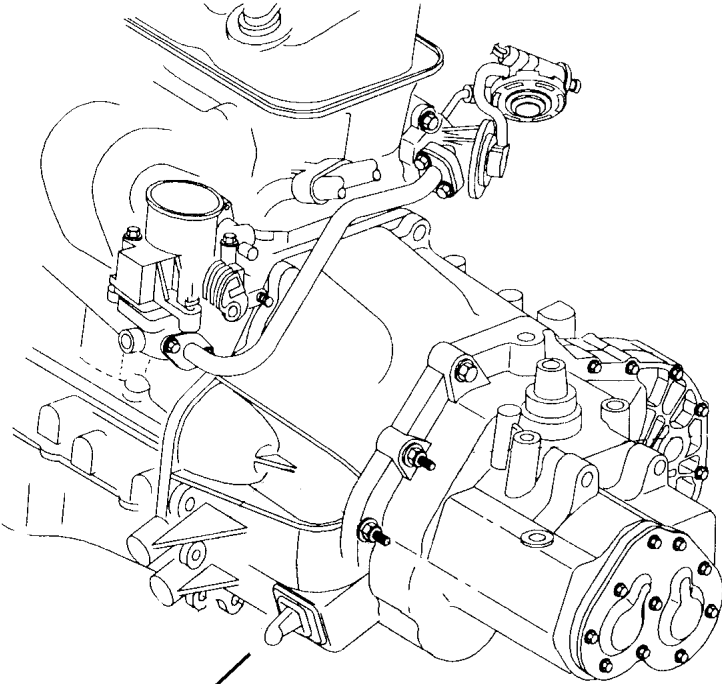
May 3, 2002

**Controls, Release Fork & Bearing, Hydraulic Clutch, RHD, (DD5)  
Figure 006-312**

ITEM	PART NUMBER	QTY	LINE	ENGINE	TRANS	DESCRIPTION
------	-------------	-----	------	--------	-------	-------------

NOTE: SALES CODES: DD5 = 5 Spd Manual Trans A578 manual, 12 Disc Magazine.  
EBD = 1.8L 4 Cyl - SOHC manual, 12 Disc Magazine.

1	4670 026	1			DD5	BEARING, Clutch Release
2						BOOT, Clutch Release Lever
	4670 019	1	D, P		DD5	
	4670 071	1	Z	EBD	DD5	
3	4796 664	1			DD5	LEVER PACKAGE, Clutch Release
4	4670 240	1			DD5	PIVOT, Clutch Release Lever

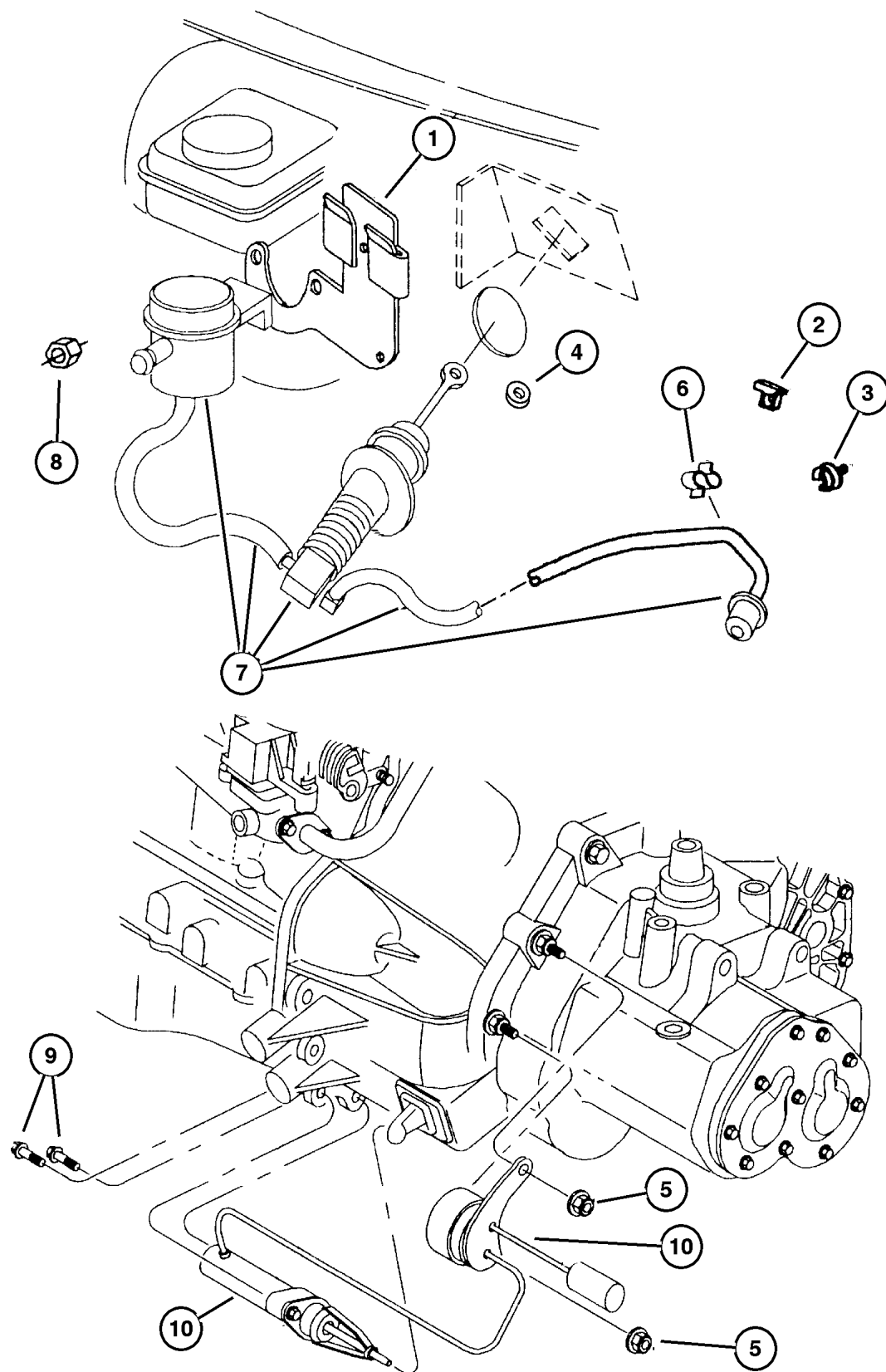


DODGE - PLYMOUTH - CHRYSLER NEON (PL)			ENGINE	TRANSMISSION
SERIES	LINE	BODY	ECB = 2.0L 4 Cyl. SOHC	DD5 = 5 Speed Manual
L=Low Line	Z= RHD	41 = 4 Door, 104.0WB	EBD = 1.8L 4Cyl SOHC	DGC = 3 Speed Automatic
H=High Line	D= Dodge			DG0 = All Automatic
	D= Chrysler			DBB = All Manual
	P= Plymouth			

AR = Use as required - = Non illustrated part # = New this model year

May 3, 2002

**Controls, Master Cylinder & Slave Cylinder, Hydraulic Clutch, RHD, (DD5)  
Figure 006-315**



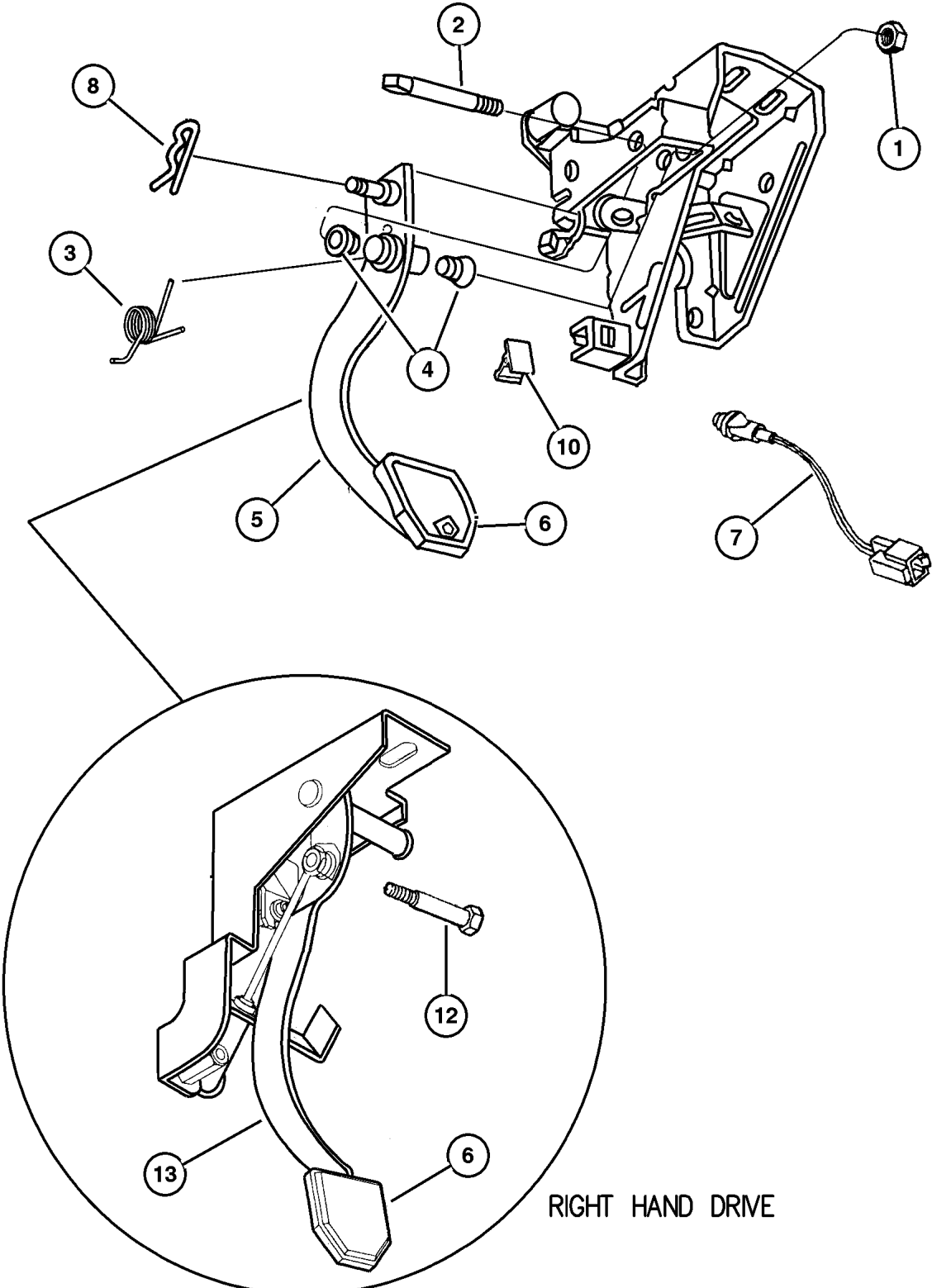
ITEM	PART NUMBER	QTY	LINE	ENGINE	TRANS	DESCRIPTION
NOTE: SALES CODES: DD5 = 5 Spd Manual Trans A578 manual, 12 Disc Magazine.						
EBD = 1.8L 4 Cyl - SOHC manual, 12 Disc Magazine.						
ECB = 2.0L 4 Cyl - SOHC manual, 12 Disc Magazine.						
1						BRACKET, Brake Fluid Reservoir, (NOT REQUIRED)
2						CLIP, Stud, (NOT REQUIRED)
3	4670 268	1	Z		DD5	CLIP, Clutch Tube
4	4670 026	1			DD5	BEARING, Clutch Release
5	6101 695	4			DD5	NUT, Hex Flange Lock, M8x1.25
6	#4670 367AB	1	Z		DD5	CLIP, Clutch Tube
7	#4668 330AC	1	Z		DD5	ACTUATOR, Hydraulic Clutch, Master Cylinder
8	6101 695	4			DD5	NUT, Hex Flange Lock, M8x1.25
9	6101 614	3				SCREW AND WASHER, Hex Head, M8x1.25x45
10	#4668 331AA	1	Z		DD5	ACTUATOR, Hydraulic Clutch, Slave Cylinder

DODGE - PLYMOUTH - CHRYSLER NEON (PL)			ENGINE	TRANSMISSION
SERIES	LINE	BODY	ECB =2.0L 4 Cyl. SOHC	DD5 = 5 Speed Manual
L=Low Line	Z= RHD	41 = 4 Door, 104.0WB	EBD = 1.8L 4Cyl SOHC	DGC = 3 Speed Automatic
H=High Line	D= Dodge			DG0 = All Automatic
	D= Chrysler			DBB = All Manual
	P= Plymouth			

AR = Use as required - = Non illustrated part # = New this model year

May 3, 2002

**Pedal, Clutch, (DD5)  
Figure 006-410**



RIGHT HAND DRIVE

ITEM	PART NUMBER	QTY	LINE	ENGINE	TRANS	DESCRIPTION
NOTE: SALES CODES: DD5 = 5 Spd Manual Trans A578 manual, 12 Disc Magazine.						
1	6500 197	1	D, P		DD5	NUT, M10x1.5
2	#4511 135AB	1	D, P		DD5	SHAFT, Clutch Pedal
3	#4668 328	1	D, P		DD5	SPRING, Clutch Pedal Return
4	2467 770	4	D, P		DD5	BUSHING, Pedal Shaft
5						PEDAL, Clutch
	#4668 277	1	D, P		DD5	
	#4668 349AA	1	Z		DD5	
6						PAD, clutch
	4683 021	1	Z		DD5	
						DD5
7	#5293 060AC	1	D, P		DD5	SWITCH, Clutch Starter Interlock
8	6034 206	1				PIN, Hair, .250 Dia x.766x.059
-9						PIN, Cotter, M3.2x36, (NOT SERVICED)
10						BUMPER, Clutch Pedal, (NOT SERVICED)
-11						STOPPER, Clutch and Brake Pedal, (NOT SERVICED)
12						PIN, Clutch Pedal, (NOT SERVICED)
13						PEDAL, Clutch
	#4668 277	1	D, P		DD5	
	#4668 349AA	1	Z		DD5	

DODGE - PLYMOUTH - CHRYSLER NEON (PL)			
SERIES	LINE	BODY	ENGINE
L=Low Line	Z= RHD	41 = 4 Door, 104.0WB	ECB =2.0L 4 Cyl. SOHC
H=High Line	D= Dodge		EBD = 1.8L 4Cyl SOHC
	D= Chrysler		
	P= Plymouth		

TRANSMISSION
DD5 = 5 Speed Manual
DGC = 3 Speed Automatic
DG0 = All Automatic
DBB = All Manual

AR = Use as required - = Non illustrated part # = New this model year

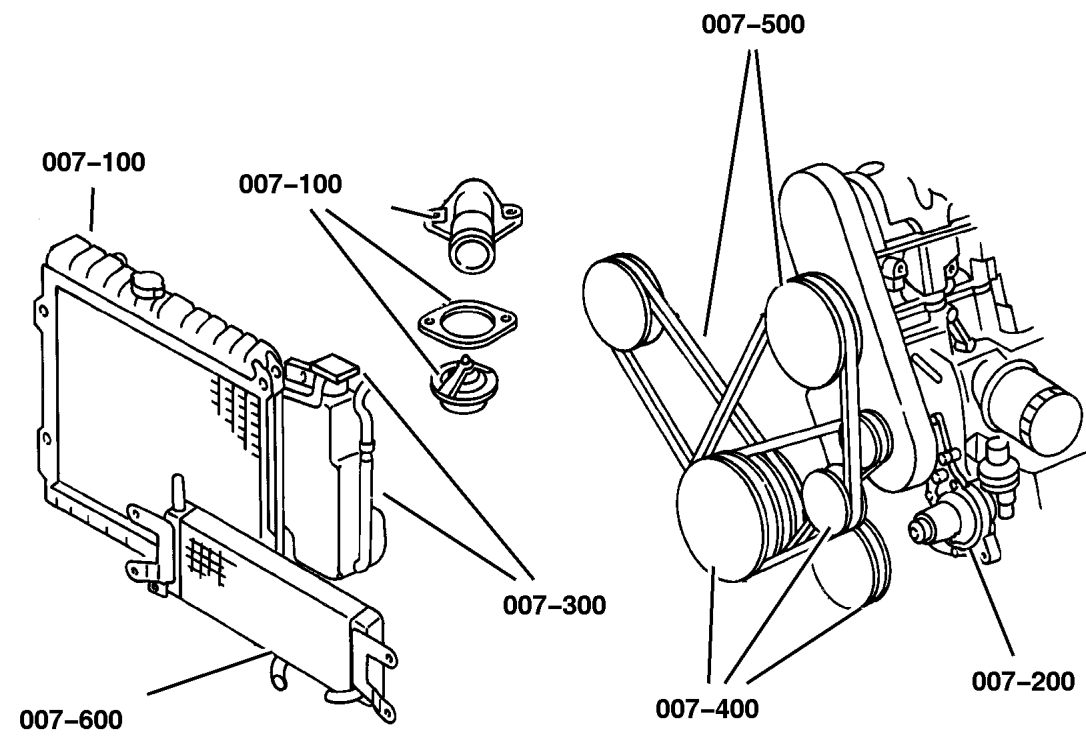
# Group – 007

## Cooling

### GROUP 7 - Cooling

Illustration Title

Group-Fig. No.



#### Radiator and Related Parts

Radiator and Related Parts ..... Fig. 007-110

#### Water Pump and Related Parts

Water Pump and Related Parts ..... Fig. 007-203

#### Tank, Coolant Engine

Coolant Reserve Tank ..... Fig. 007-303

#### Pulleys and Related Parts

Pulley and Tensioner ..... Fig. 007-403

#### Drive Belts

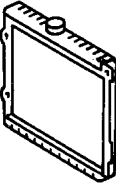
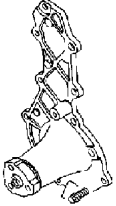
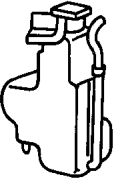
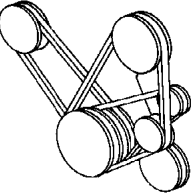
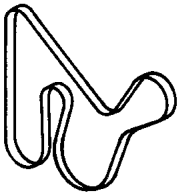
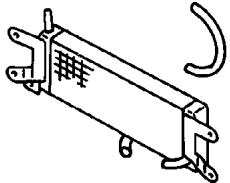
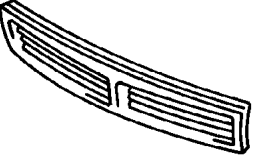
Drive Belts ..... Fig. 007-503

#### Lines, Transmission Oil Cooler

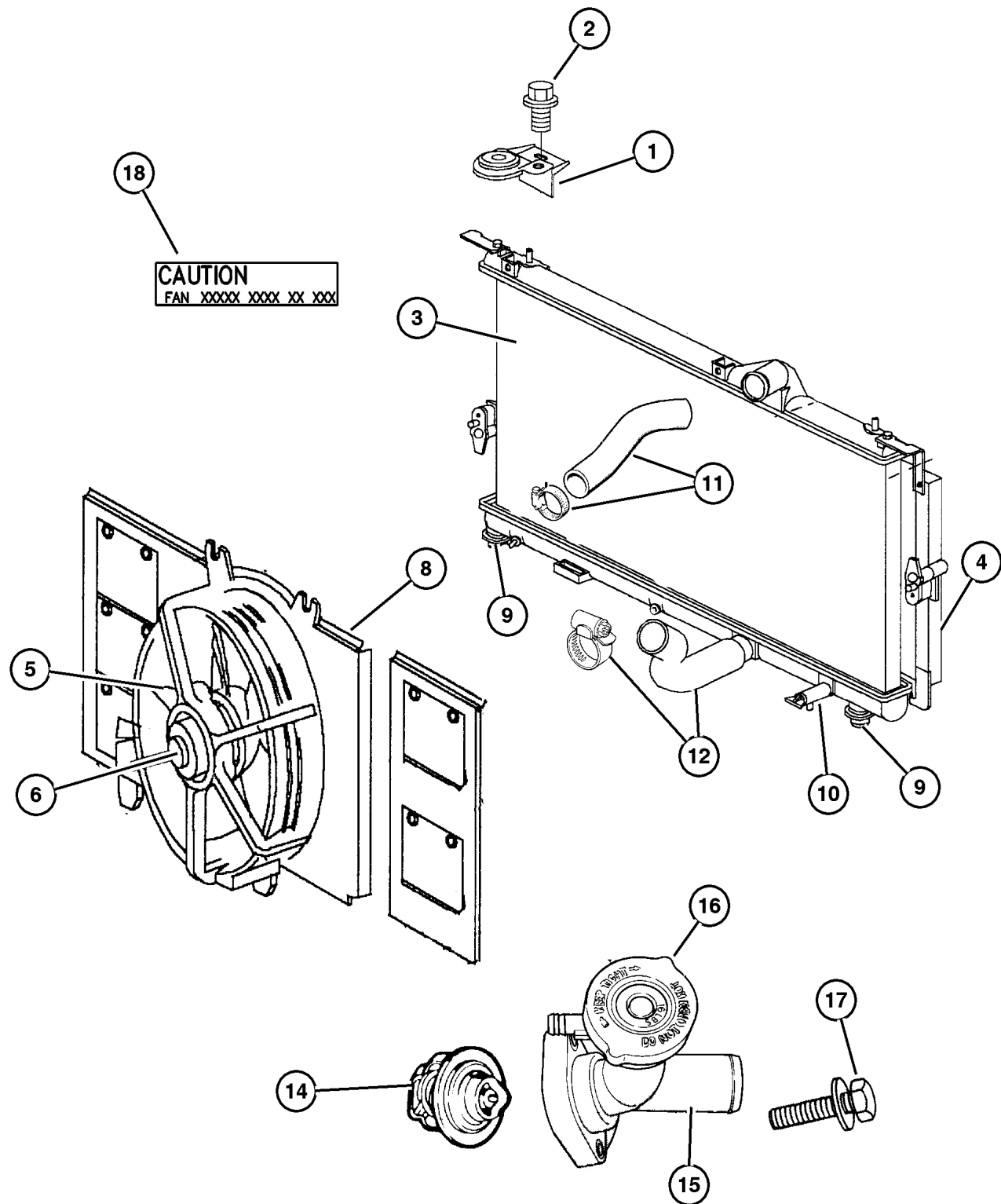
Lines, Oil Cooler ..... Fig. 007-603

#### Grilles

Grille and Related Parts ..... Fig. 007-703

<p><b>007-100</b> Radiator and Related Parts</p> 	<p><b>007-200</b> Water Pump and Related Parts</p> 	<p><b>007-300</b> Tank, Coolant Engine</p> 	<p><b>007-400</b> Pulleys and Related Parts</p> 
<p><b>007-500</b> Drive Belts</p> 	<p><b>007-600</b> Lines, Transmission Oil Cooler</p> 	<p><b>007-700</b> Grilles</p> 	

## Radiator and Related Parts Figure 007-110



ITEM	PART NUMBER	QTY	LINE	ENGINE	TRANS	DESCRIPTION
NOTE: Sales Codes: manual, 12 Disc Magazine.						
[DD5] = TRANSMISSION - PERF. MANUAL 5-SPEED manual, 12 Disc Magazine.						
[DGC] = TRANSMISSION - 3-SPEED AUTOMATIC manual, 12 Disc Magazine.						
[DGL] = TRANSMISSION - 4-SPD. AUTOMATIC,41TE manual, 12 Disc Magazine.						
[EBD] =1.8L 4 CYL SOHC 16V SEFI manual, 12 Disc Magazine.						
[ECB] = 2.0L SOHC 16V manual, 12 Disc Magazine.						
[ECH] = 2.0L 4 CYL SOHC 16V HI PERF manual, 12 Disc Magazine.						
[EJD] = 1.6L 4 CYL SOHC 16V SMPI manual, 12 Disc Magazine.						
1						BRACKET, Cooling Module
	#5278 276AA	1				Upper,Right
	#5278 277AA	1				Upper,Left
2	6101 718	2				SCREW AND WASHER, Oval Head, M6x1x25, Bracket Attaching
3						RADIATOR, Engine Cooling
	#5014 580AA	1		EBD, ECB	DGC	
	#5014 581AA	1		EBD, ECB	DD5	
4						CONDENSER, Air Conditioning
	#5014 582AA	1		EBD, ECB	DGC	
		1		EBD, ECB	DD5	
5						FAN, Cooling
	#5014 578AA	1		EBD, ECB	DGC	
		1		EBD, ECB	DD5	
6						MOTOR, Radiator Fan
	#5014 577AA	1		EBD, ECB	DGC	
		1		EBD, ECB	DD5	
-7						NUT, Fan Module Retaining
	4762 341	1		EBD, ECB	DD5	Motor to Fan, Left Hand Thread
		1		EBD, ECB	DGC	Motor to Fan, Left Hand Thread
8						SHROUD, Fan
	#5014 579AA	1		EBD, ECB	DGC	

**DODGE - PLYMOUTH - CHRYSLER NEON (PL)**

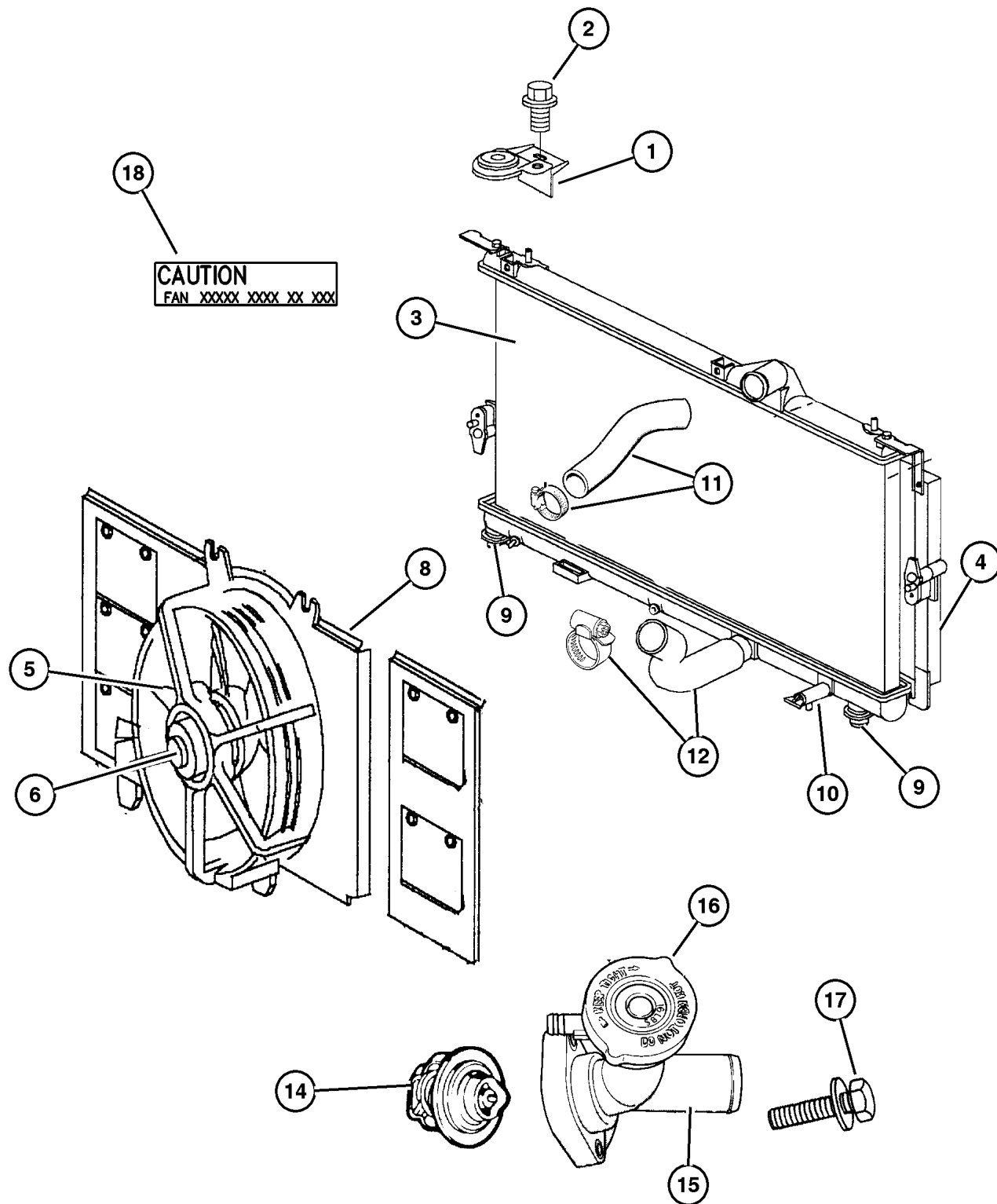
SERIES	LINE	BODY	ENGINE	TRANSMISSION
L=Low Line	Z= RHD	41 = 4 Door, 104.0WB	ECB =2.0L 4 Cyl. SOHC	DD5 = 5 Speed Manual
H=High Line	D= Dodge		EBD = 1.8L 4Cyl SOHC	DGC = 3 Speed Automatic
	D= Chrysler			DG0 = All Automatic
	P= Plymouth			DBB = All Manual

AR = Use as required - = Non illustrated part # = New this model year

May 3, 2002

Radiator and Related Parts  
Figure 007-110

ITEM	PART NUMBER	QTY	LINE	ENGINE	TRANS	DESCRIPTION
		1		EBD, ECB	DD5	
9	#4495 963AB #4546 657AB	2 2				ISOLATOR, Radiator Heater Air Conditioning
10	4762 334	1		EBD, ECB	DGC	DRAINCOCK, Radiator
		1		EBD, ECB	DD5	
11	#5278 030	1		EBD, ECB		HOSE AND CLAMP, Radiator Inlet
12	#5278 033	1		EBD, ECB		HOSE AND CLAMP, Radiator Outlet
-13	#4891 504AA	1		EBD, ECB		CLIP, Hose
14	5278 144AA	1		ECB		THERMOSTAT
		1		EBD		
15	#5278 156AA	1		ECB		CONNECTOR, Water Outlet
		1		EBD		
16	4596 198	1		ECB		CAP, Radiator
		1		EBD		
17	6101 939	2		ECB		SCREW AND WASHER, Hex Head, M6x1x30
		2		EBD		
18	#5264 840AC	1				DECAL, A/C System Specification



DODGE - PLYMOUTH - CHRYSLER NEON (PL)

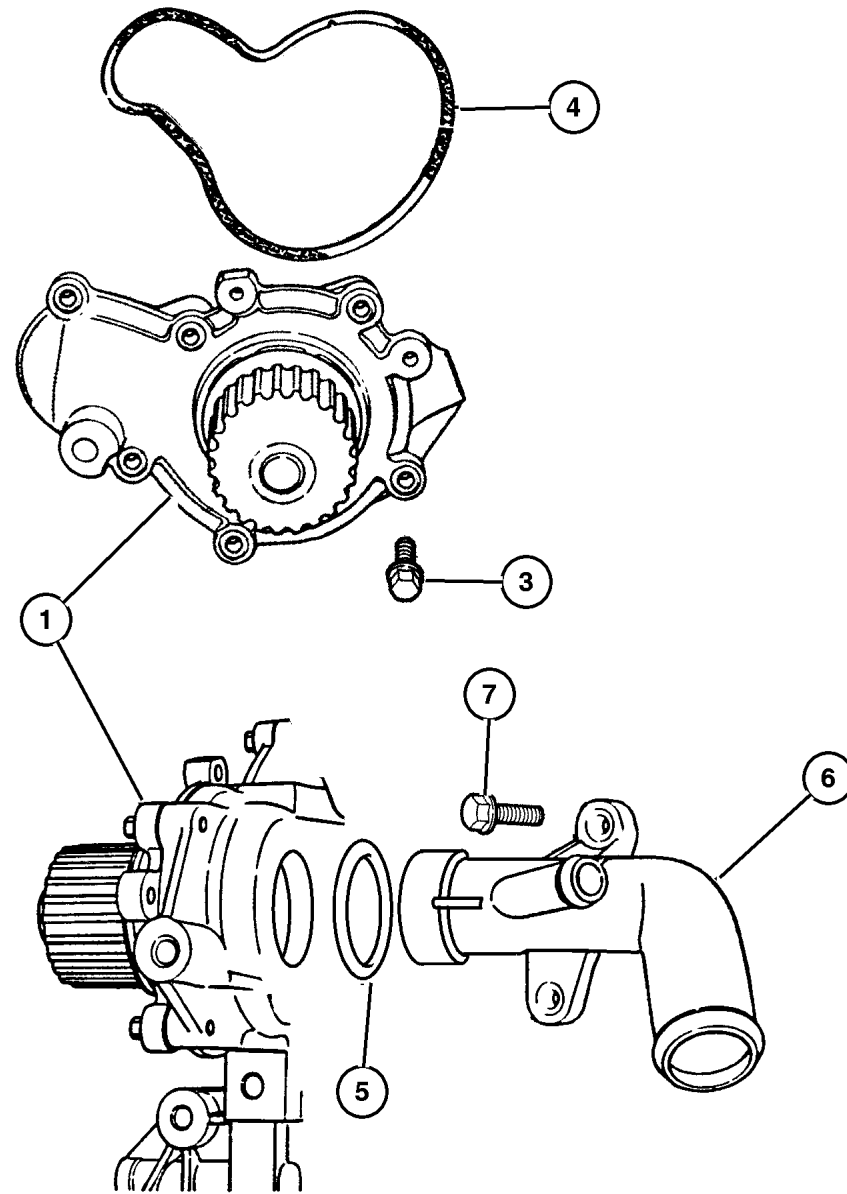
SERIES	LINE	BODY	ENGINE	TRANSMISSION
L=Low Line H=High Line	Z= RHD D= Dodge D= Chrysler P= Plymouth	41 = 4 Door, 104.0WB	ECB =2.0L 4 Cyl. SOHC EBD = 1.8L 4Cyl SOHC	DD5 = 5 Speed Manual DGC = 3 Speed Automatic DGO = All Automatic DBB = All Manual

AR = Use as required - = Non illustrated part # = New this model year

May 3, 2002



**Water Pump and Related Parts  
Figure 007-203**



ITEM	PART NUMBER	QTY	LINE	ENGINE	TRANS	DESCRIPTION
NOTE: Sales Codes: manual, 12 Disc Magazine.						
[EBD] = 1.8L 4 CYL SOHC 16V SEFI manual, 12 Disc Magazine.						
[ECB] = 2.0L SOHC 16V manual, 12 Disc Magazine.						
1	4667 660	1		EBD		PUMP, Water
		1		ECB		
-2	4621 653	1		EBD		NIPPLE, Heater Return
		1		ECB		
3	6503 255	6		EBD		BOLT, Hex Head, M6x1.0x22
		6		ECB		
4	4667 663	1		EBD		SEAL, Water Pump To Front Cover
		1		ECB		
5	4777 173	1		EBD		O RING, Water Inlet Tube
		1		ECB		
6	4777 171	1		EBD		TUBE, Water Inlet
		1		ECB		
7	6100 267	1		EBD		BOLT AND CONED WASHER, Hex Head, M6x25x12.5
		1		ECB		

**DODGE - PLYMOUTH - CHRYSLER NEON (PL)**

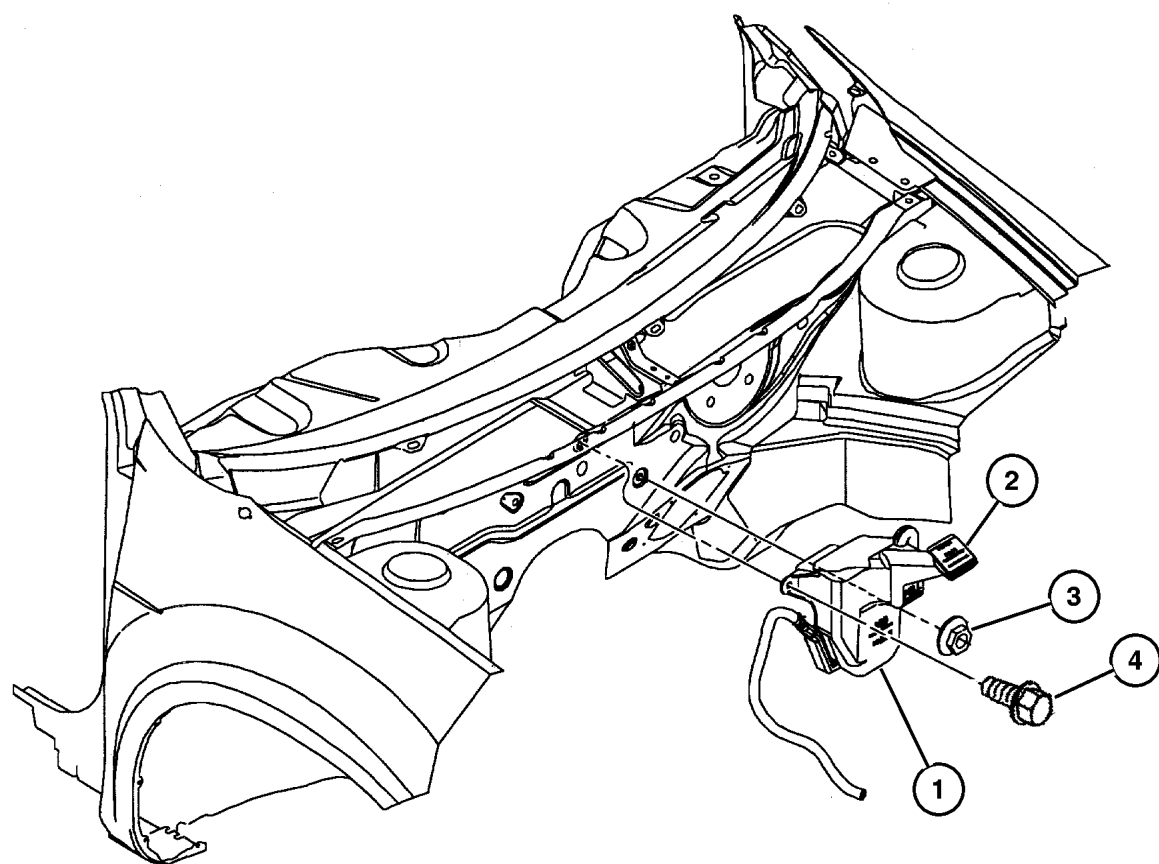
SERIES	LINE	BODY	ENGINE	TRANSMISSION
L=Low Line	Z= RHD	41 = 4 Door, 104.0WB	ECB =2.0L 4 Cyl. SOHC	DD5 = 5 Speed Manual
H=High Line	D= Dodge		EBD = 1.8L 4Cyl SOHC	DGC = 3 Speed Automatic
	D= Chrysler			DG0 = All Automatic
	P= Plymouth			DBB = All Manual

AR = Use as required - = Non illustrated part # = New this model year

May 3, 2002

**Coolant Reserve Tank  
Figure 007-303**

ITEM	PART NUMBER	QTY	LINE	ENGINE	TRANS	DESCRIPTION
NOTE: Sales Codes: manual, 12 Disc Magazine.						
[EBD] = 1.8L 4 CYL SOHC 16V SEFI manual, 12 Disc Magazine.						
[ECB] = 2.0L SOHC 16V manual, 12 Disc Magazine.						
1	#5278 027	1		EBD, ECB		BOTTLE, Coolant Recovery
2	#5017 468AA	1				CAP, Coolant Reserve Tank
3	6503 676	1				NUT, Hex Flange, M6x1
4	6034 716	1				SCREW AND WASHER, Hex Flange Head, .25-14x.875



DODGE - PLYMOUTH - CHRYSLER NEON (PL)				
SERIES	LINE	BODY	ENGINE	TRANSMISSION
L=Low Line	Z= RHD	41 = 4 Door, 104.0WB	ECB =2.0L 4 Cyl. SOHC	DD5 = 5 Speed Manual
H=High Line	D= Dodge		EBD = 1.8L 4Cyl SOHC	DGC = 3 Speed Automatic
	P= Chrysler			DG0 = All Automatic
				DBB = All Manual

AR = Use as required - = Non illustrated part # = New this model year

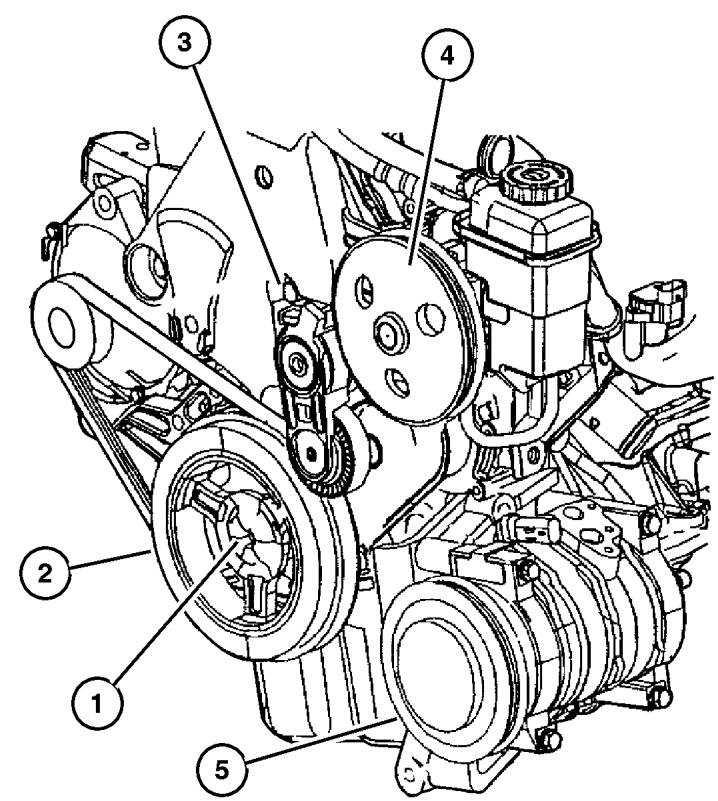
May 3, 2002

**Pulley and Tensioner  
Figure 007-403**

ITEM	PART NUMBER	QTY	LINE	ENGINE	TRANS	DESCRIPTION
------	-------------	-----	------	--------	-------	-------------

NOTE: Sales Codes: manual, 12 Disc Magazine.  
 [ECB] = 2.0L SOHC 16V manual, 12 Disc Magazine.  
 [ECH] = 2.0L 4 CYL SOHC 16V HI PERF manual, 12 Disc Magazine.

1	6503 553	1		ECB		BOLT, Hex Flange Head, M12x1.75x87.50
		1		EBD		
2	#4777 618AA	1		ECB		DAMPER, Crankshaft
		1		EBD		
3	#4668 364AA	1		ECB		TENSIONER AND BRACKET, Engine Mount
		1		EBD		
4	#4668 252	1		EBD,		PULLEY, Power Steering Pump
				ECB		
5	#5014 573AA	1				PULLEY HUB KIT, A/C Compressor



DODGE - PLYMOUTH - CHRYSLER NEON (PL)				
SERIES	LINE	BODY	ENGINE	TRANSMISSION
L=Low Line	Z= RHD	41 = 4 Door, 104.0WB	ECB =2.0L 4 Cyl. SOHC	DD5 = 5 Speed Manual
H=High Line	D= Dodge		EBD = 1.8L 4Cyl SOHC	DGC = 3 Speed Automatic
	D= Chrysler			DG0 = All Automatic
	P= Plymouth			DBB = All Manual

AR = Use as required - = Non illustrated part # = New this model year

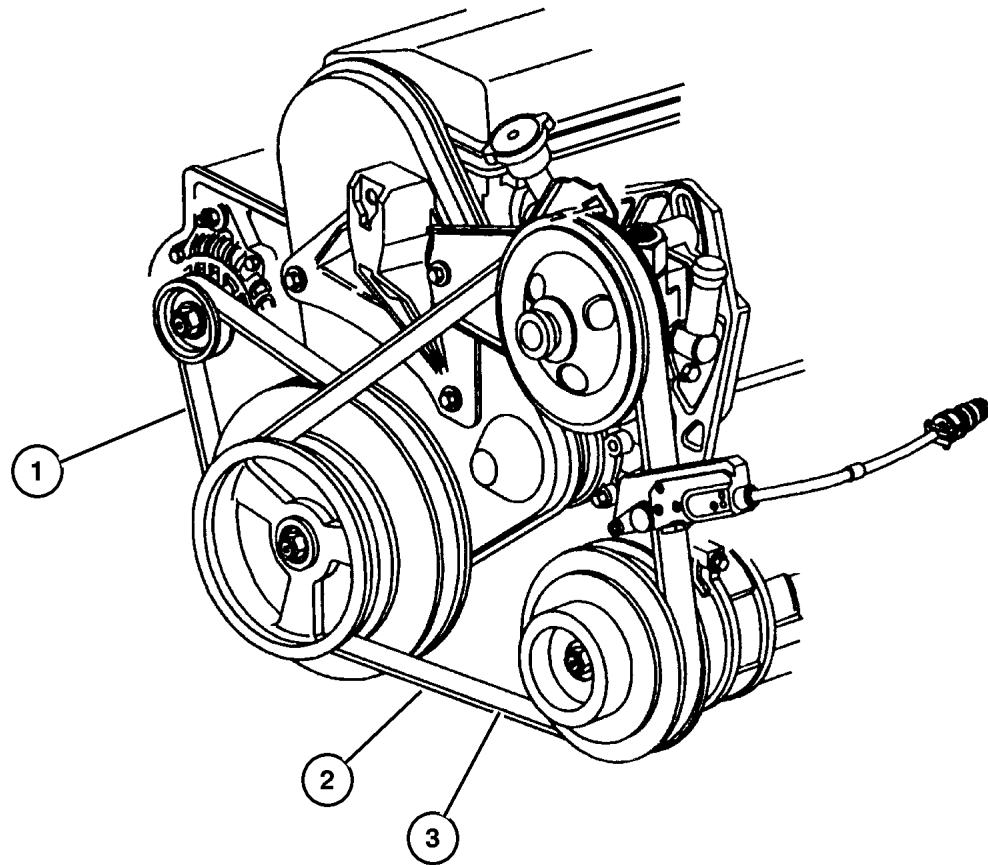
May 3, 2002

Drive Belts  
Figure 007-503

ITEM	PART NUMBER	QTY	LINE	ENGINE	TRANS	DESCRIPTION
------	-------------	-----	------	--------	-------	-------------

NOTE: Sales Codes: manual, 12 Disc Magazine.  
[EBD] = 1.8L SOHC 16V manual, 12 Disc Magazine.  
[ECB] = 2.0L SOHC manual, 12 Disc Magazine.

1	#4668 241	1		ECB		BELT, Alternator Drive
				EBD		
2	#4668 249AB	1		EBD, ECB		BELT, Power Steering, Heater Only
3	#4668 247AB	1		EBD, ECB		BELT, Accessory Drive, Air Conditioning



DODGE - PLYMOUTH - CHRYSLER NEON (PL)			ENGINE	TRANSMISSION
SERIES	LINE	BODY	ECB = 2.0L 4 Cyl. SOHC	DD5 = 5 Speed Manual
L=Low Line	Z= RHD	41 = 4 Door, 104.0WB	EBD = 1.8L 4Cyl SOHC	DGC = 3 Speed Automatic
H=High Line	D= Dodge			DG0 = All Automatic
	D= Chrysler			DBB = All Manual
	P= Plymouth			

AR = Use as required - = Non illustrated part # = New this model year

May 3, 2002

**Lines, Oil Cooler  
Figure 007-603**

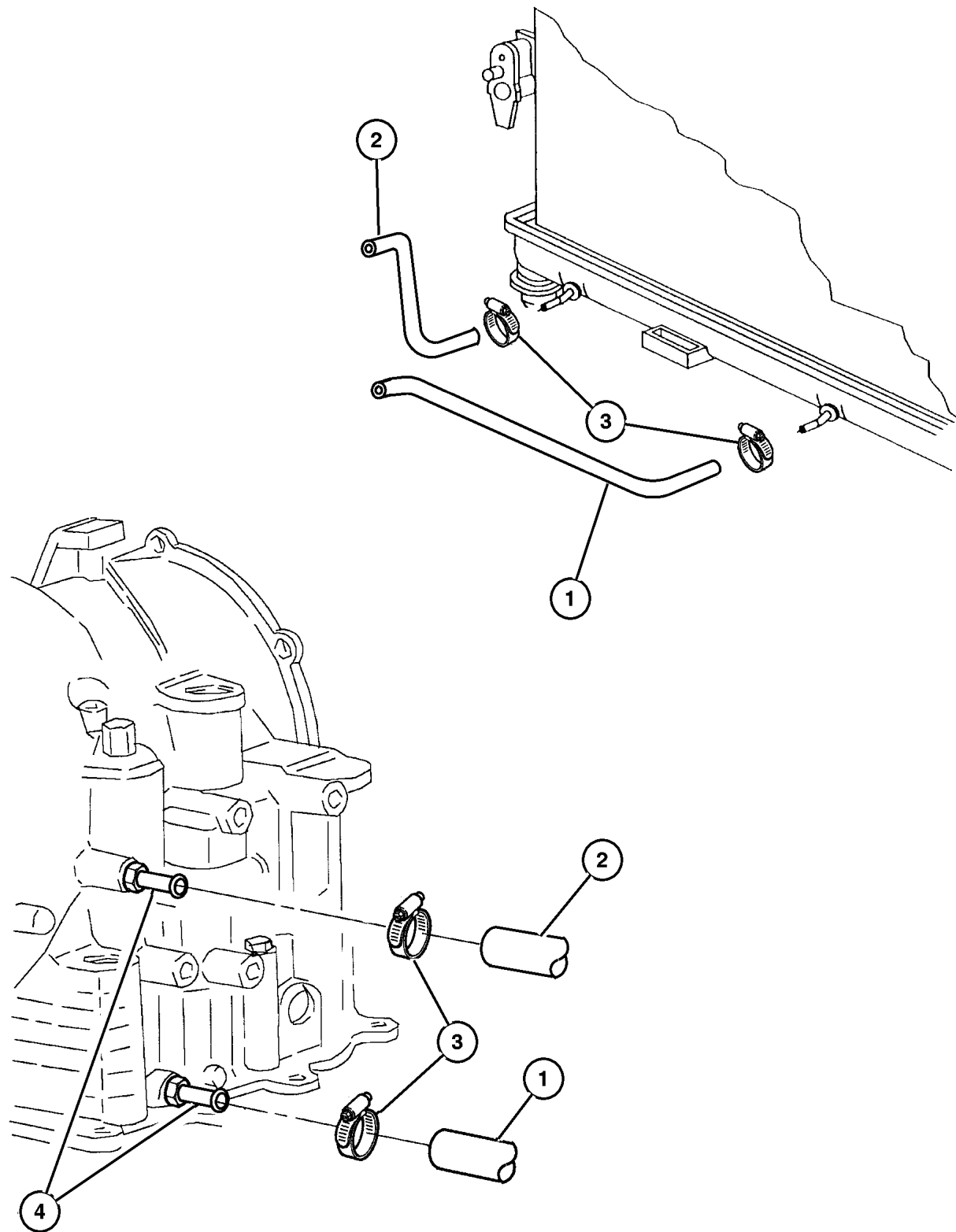
ITEM	PART NUMBER	QTY	LINE	ENGINE	TRANS	DESCRIPTION
------	-------------	-----	------	--------	-------	-------------

NOTE: Sales Codes: manual, 12 Disc Magazine.

[DGC] = TRANSMISSION - AUTOMATIC 3-SPEED manual, 12 Disc Magazine.

[ECB] = 2.0L SOHC 16V manual, 12 Disc Magazine.

1	#5278 031	1			DGC	HOSE, Transmission Oil Pressure
2	#5278 032	1			DGC	HOSE, Transmission Oil Return
3	6032 839	4			DGC	CLAMP, Oil Cooler
4	4531 202	2		ECB	DGC	CONNECTOR, Oil Cooler Hose



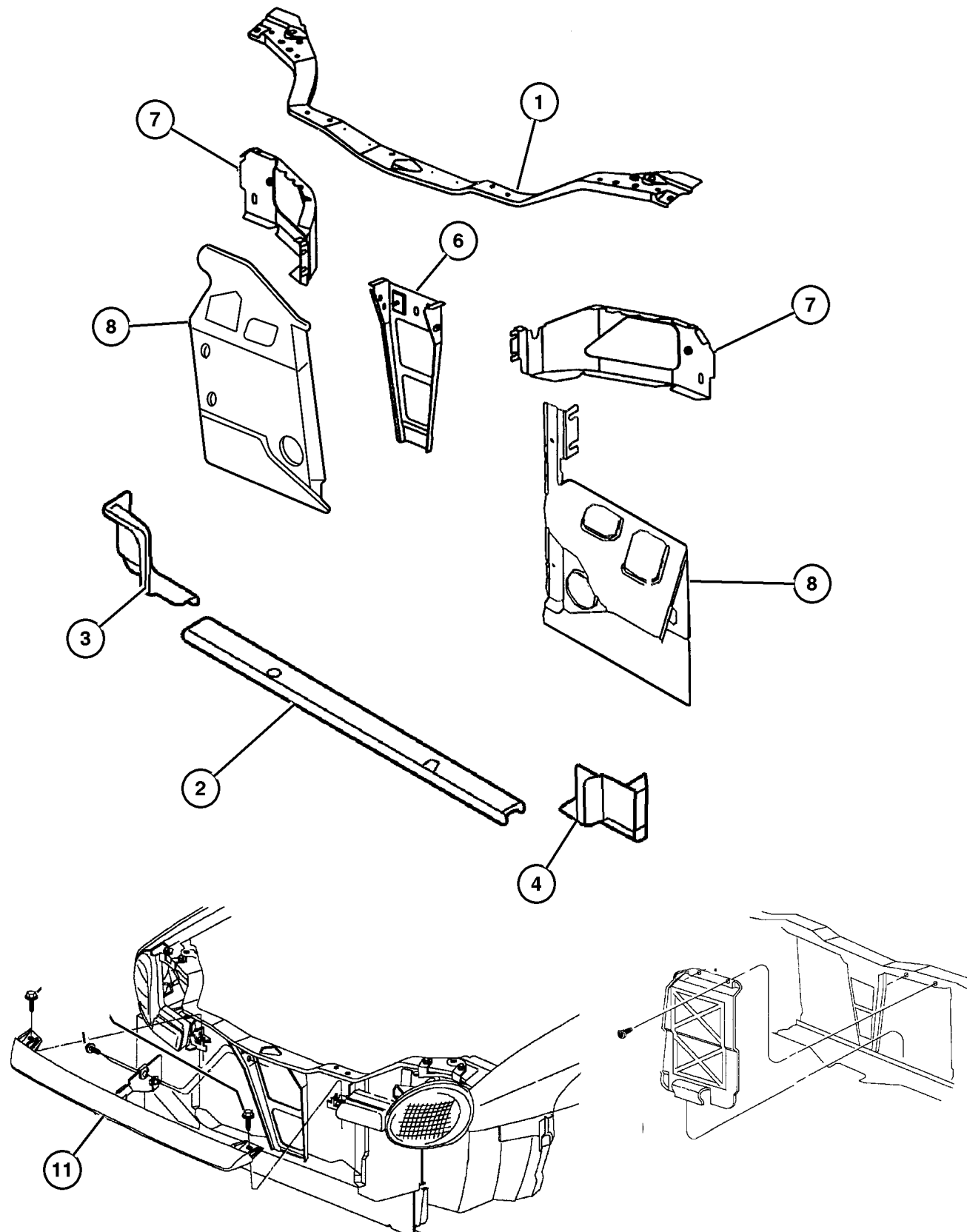
**DODGE - PLYMOUTH - CHRYSLER NEON (PL)**

SERIES	LINE	BODY	ENGINE	TRANSMISSION
L=Low Line	Z= RHD	41 = 4 Door, 104.0WB	ECB =2.0L 4 Cyl. SOHC	DD5 = 5 Speed Manual
H=High Line	D= Dodge		EBD = 1.8L 4Cyl SOHC	DGC = 3 Speed Automatic
	D= Chrysler			DG0 = All Automatic
	P= Plymouth			DBB = All Manual

AR = Use as required - = Non illustrated part # = New this model year

May 3, 2002

**Grille and Related Parts  
Figure 007-703**



ITEM	PART NUMBER	QTY	LINE	ENGINE	TRANS	DESCRIPTION
1	#4783 466	1				CROSSMEMBER, Radiator Closure Panel, Upper
2	#4783 295AB	1				CROSSMEMBER, Front Side Rail
3	#4783 482	1				BRACE, Radiator Crossmember, Right
4	#4783 483	1				BRACE, Radiator Crossmember, Left
-5	4103 165	2				BUMPER, Hood
6	#4783 465	1				SUPPORT, Radiator Closure Panel
7						PANEL, Radiator Closure, Upper
	#4783 348AB	1				Right
	#4783 349AB	1				Left
8						PANEL, Radiator Closure, Lower
	#4783 350	1				Right
	#4783 351	1				Left
-9						BRACE, Radiator Crossmember, Lower Radiator
						Crossmember to Rail
	#4783 482	1				Right
	#4783 483	1				Left
-10	#4888 915AB	1				BRACKET, Towing, EXPORT
11						GRILLE, Radiator
	#5288 805AA	1				EXPORT [MLW,MUF]
	#5288 922AC	1	D			w/Bracket
	#5288 923AC	1	P			w/Bracket, w/Medallion
	#5303 378AB	1				CANADA, w/Bracket, w/Medallion
-12						MEDALLION, Grille
	#5288 887AA	1				[MLW,MUF] EXPORT
	#5288 927AA	1	P			[MLD,MLX]
	#5303 379AA	1				CANADA
-13	4756 568	1	D			EMBLEM, Rams Head
-14	#5288 881AA	2				CLIP, Fascia, Grille Attaching
-15	#6102 032AA	2				NUT, Spring U Type, M4.8 x .80
-16						NUT, U Multi Thread, Grille Bar Attaching
	#6101 710	1	D, P			
		1	Z			

**DODGE - PLYMOUTH - CHRYSLER NEON (PL)**

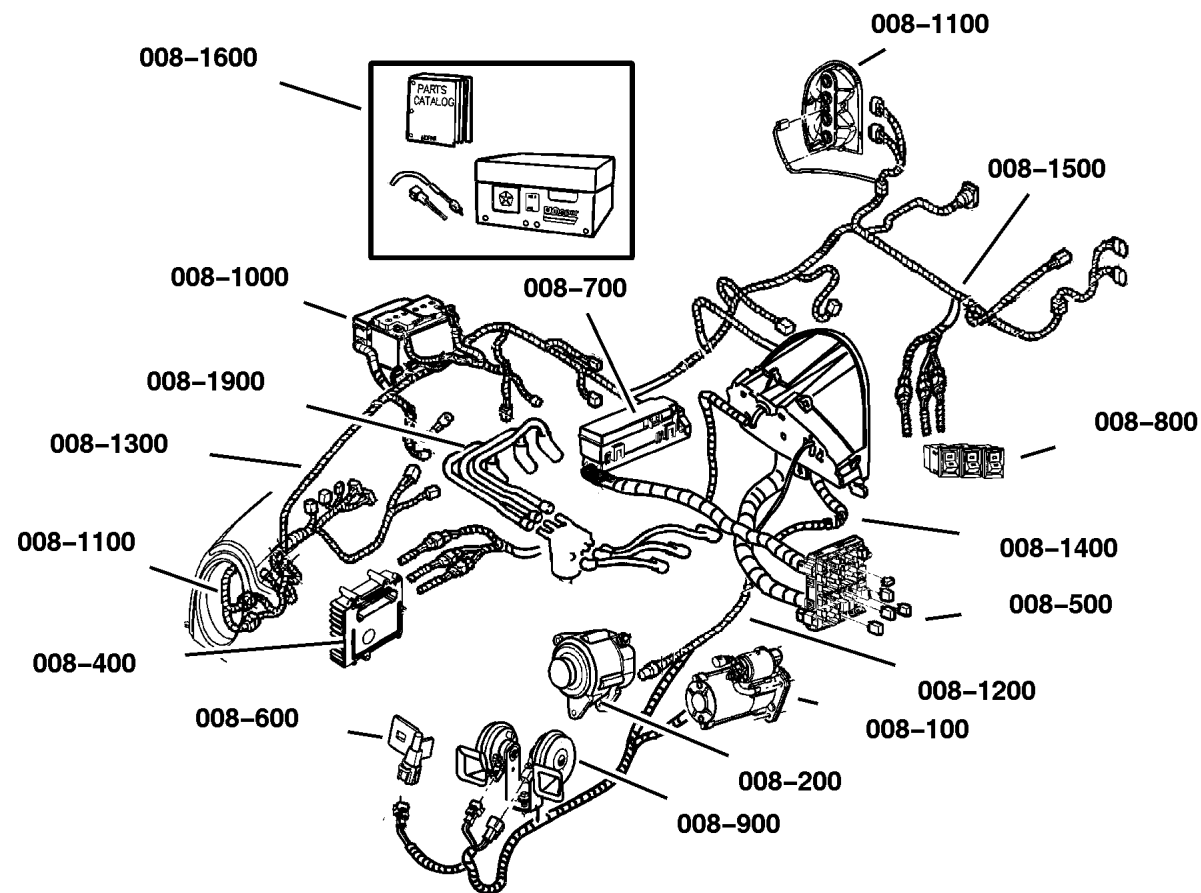
SERIES	LINE	BODY	ENGINE	TRANSMISSION
L=Low Line	Z= RHD	41 = 4 Door, 104.0WB	ECB =2.0L 4 Cyl. SOHC	DD5 = 5 Speed Manual
H=High Line	D= Dodge		EBD = 1.8L 4Cyl SOHC	DGC = 3 Speed Automatic
	D= Chrysler			DG0 = All Automatic
	P= Plymouth			DBB = All Manual

AR = Use as required - = Non illustrated part # = New this model year

May 3, 2002

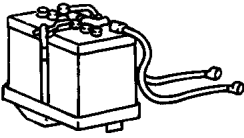
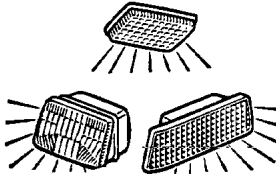
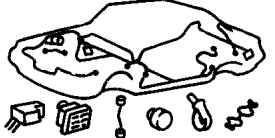
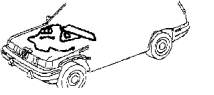



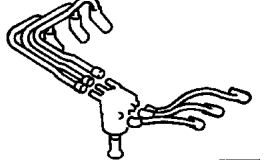
# Group – 008

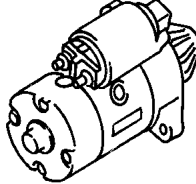
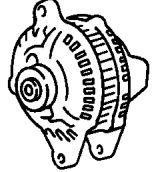
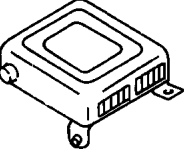
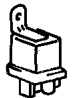
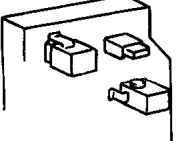
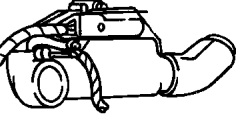
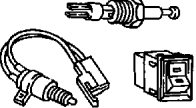
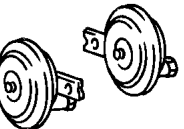
## Electrical



# Group – 008

## Electrical

<b>008-1000</b> Battery Tray and Cables 	<b>008-1100</b> Lamps – Front, Rear and Courtesy 	<b>008-1200</b> Wiring-Engine & Related Parts 	<b>008-1300</b> Wiring-Headlamp to Dash 
<b>008-1400</b> Wiring-Instrument Panel WIRING INSTR. PANEL 	<b>008-1500</b> Wiring-Body & Accessories 	<b>008-1600</b> Wiring Repair WIRING REPAIR PKG. 	<b>008-1900</b> Spark Plugs-Cables-Coils 

<b>008-100</b> Starters 	<b>008-200</b> Alternators 	<b>008-400</b> Modules 	<b>008-500</b> Relays 
<b>008-600</b> Sensors 	<b>008-700</b> Single Board Engine Controllers 	<b>008-800</b> Switches 	<b>008-900</b> Horns 



---

**GROUP 8 - Electrical****GROUP 8 - Electrical**

Illustration Title	Group-Fig. No.
<b>Starters</b>	
Starter .....	Fig. 008-102
<b>Alternators</b>	
Alternators .....	Fig. 008-202
<b>Modules</b>	
Modules, Electronic .....	Fig. 008-405
<b>Relays</b>	
Relays , Fuses .....	Fig. 008-505
<b>Sensors</b>	
Sensors, Engine .....	Fig. 008-605
Sensors, Transmission .....	Fig. 008-610
Sensors, Body .....	Fig. 008-615
<b>Single Board Engine Controllers</b>	
Single Board Engine Controllers .....	Fig. 008-705
<b>Switches</b>	
Switches .....	Fig. 008-805
<b>Horns</b>	
Horns .....	Fig. 008-905
<b>Battery Tray and Cables</b>	
Battery Tray And Cables .....	Fig. 008-1001
<b>Lamps - Front, Rear and Courtesy</b>	
Lamps, Front .....	Fig. 008-1105
Lamps, Rear .....	Fig. 008-1110
Dome, Underhood and Cargo Lamps .....	Fig. 008-1115
Sockets And Bulbs .....	Fig. 008-1180
<b>Wiring-Engine &amp; Related Parts</b>	
Wiring, Engine .....	Fig. 008-1205
<b>Wiring-Headlamp to Dash</b>	
Wiring, Headlamp and Power Distribution Center .....	Fig. 008-1305
<b>Wiring-Instrument Panel</b>	
Wiring, Instrument Panel .....	Fig. 008-1405
<b>Wiring-Body &amp; Accessories</b>	
Wiring, Body And Accessories .....	Fig. 008-1505
<b>Wiring Repair</b>	
Wiring Repair Packages .....	Fig. 008-1605

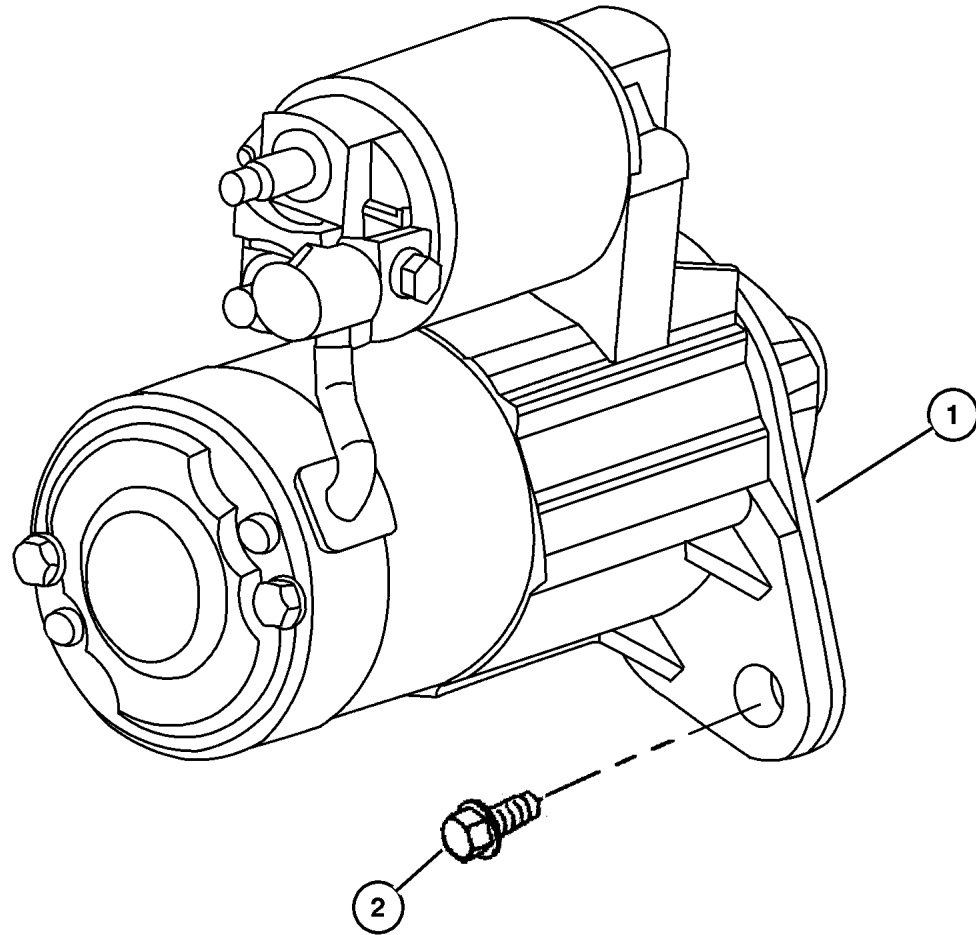
Illustration Title	Group-Fig. No.
<b>Spark Plugs-Cables-Coils</b>	
Spark Plugs, Cables, Coils .....	Fig. 008-1902





**Starter  
Figure 008-102**

ITEM	PART NUMBER	QTY	LINE	SERIES	BODY	ENGINE	TRANS	DESCRIPTION
EBD=1.8L 4 CYL SOHC 16V SEFI manual, 12 Disc Magazine.								
ECB=2.0L 4 CYL SOHC 16V SMPI manual, 12 Disc Magazine.								
1	#4793 493	1				EBD, ECB		STARTER
2								SCREW AND WASHER, Hex Head, M10x1.5x95, M10x1.50x50.00, (NOT SERVICED)
-3	#4794 039AA	1						TERMINAL, Right Angle

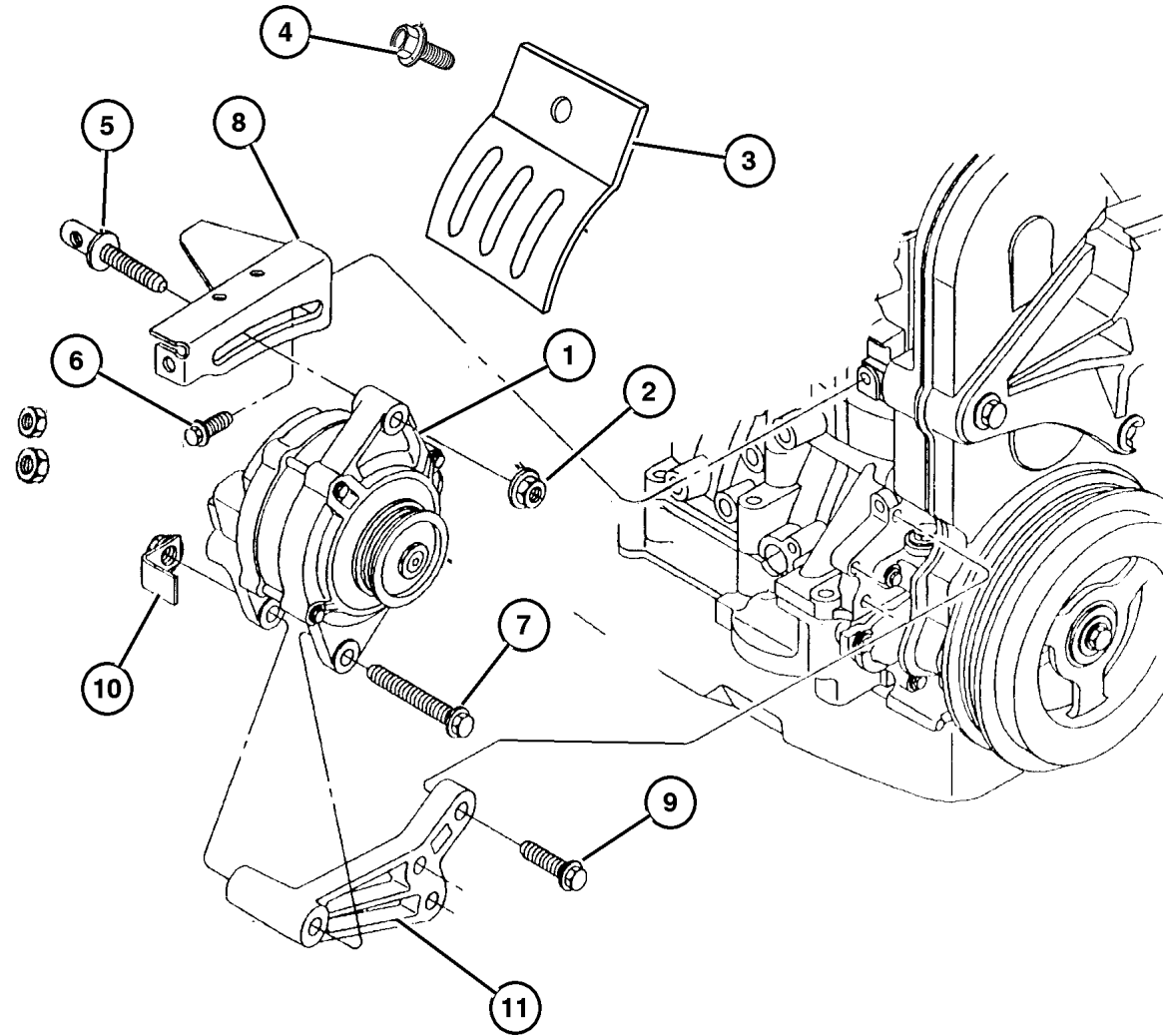


<b>DODGE - PLYMOUTH - CHRYSLER NEON (PL)</b>				
SERIES	LINE	BODY	ENGINE	TRANSMISSION
L=Low Line	Z= RHD	41 = 4 Door, 104.0WB	ECB =2.0L 4 Cyl. SOHC	DD5 = 5 Speed Manual
H=High Line	D= Dodge		EBD = 1.8L 4Cyl SOHC	DGC = 3 Speed Automatic
	D= Chrysler			DG0 = All Automatic
	P= Plymouth			DBB = All Manual

AR = Use as required - = Non illustrated part # = New this model year

May 3, 2002

## Alternators Figure 008-202



ITEM	PART NUMBER	QTY	LINE	SERIES	BODY	ENGINE	TRANS	DESCRIPTION
EBD=1.8L 4 CYL SOHC 16V SEFI manual, 12 Disc Magazine.								
ECB= 2.0L 4 CYL SOHC 16V SMPI manual, 12 Disc Magazine.								
1	#4794 222AA	1				ECB		ALTERNATOR
		1				EBD		
2	6101 448	1				ECB		NUT AND WASHER, Hex Nut-Coned Washer, M10 x 1.5
		1				EBD		
3	6503 705	1				ECB		SHIELD, Alternator, (NOT SERVICED)
4	6504 286	1				ECB		SCREW AND WASHER, Hex Head Lock, M8x1.25x95
		1				EBD		
5	6504 286	1				ECB		SCREW, Header Point, M10x1.50x50.00
		1				EBD		
6	6101 503	2				ECB		SCREW AND WASHER, Hex Head, M10x1.5x25
		2				EBD		
7	6101 623	1				ECB		SCREW AND WASHER, Hex Head, M10x1.5x105
		1				EBD		
8	#4612 132AB	1				ECB		BRACKET, Alternator
		1				EBD		
9	6101 512	3				ECB		SCREW AND WASHER, Hex Head, M10x1.5x45
		3				EBD		
10	6502 987	1				ECB		NUT AND RETAINER, Hex Flange Locking, M10 x 1.50
		1				EBD		
11	4668 250	1				EBD		BRACKET, Alternator
		1				ECB		

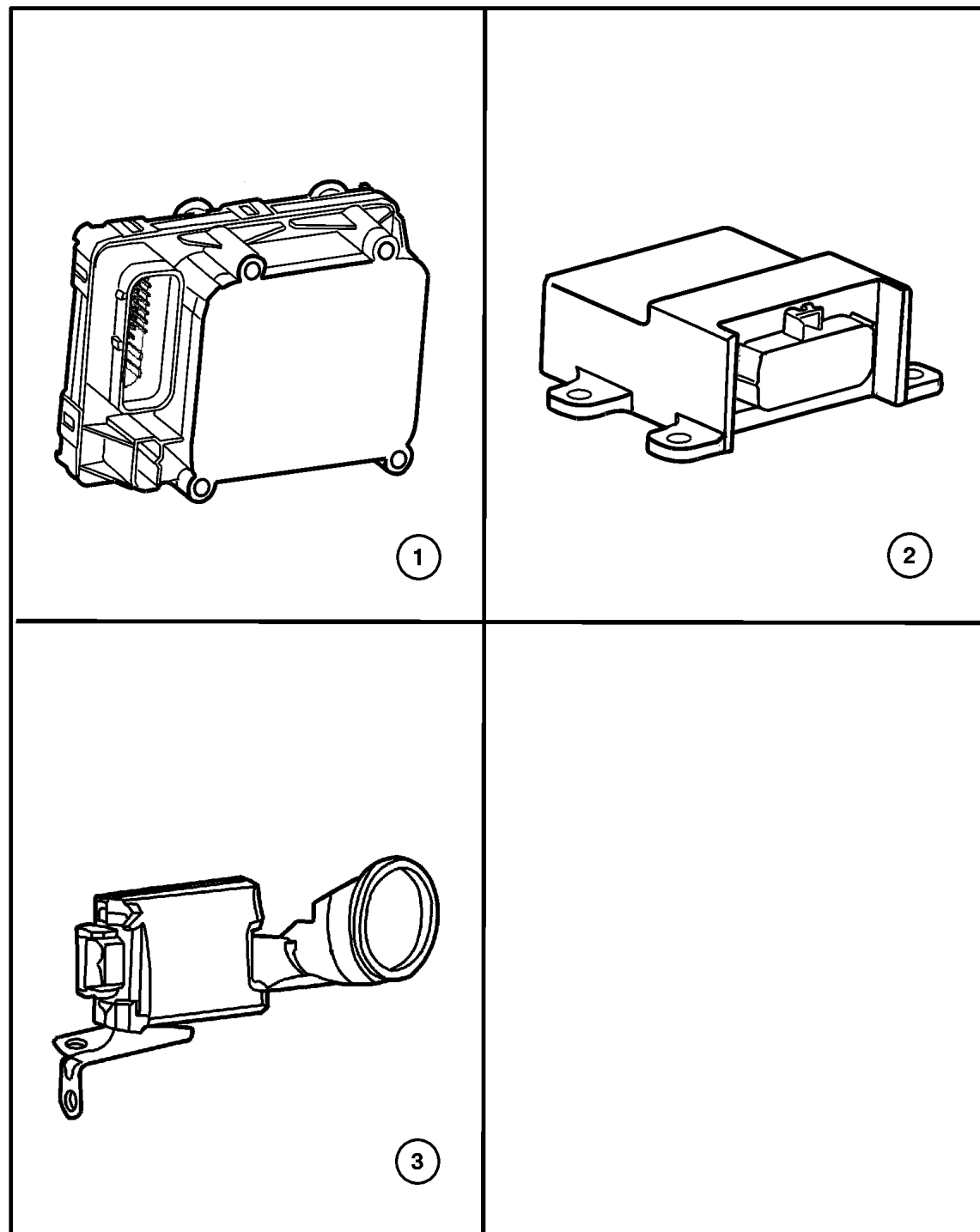
**DODGE - PLYMOUTH - CHRYSLER NEON (PL)**

SERIES	LINE	BODY	ENGINE	TRANSMISSION
L=Low Line	Z= RHD	41 = 4 Door, 104.0WB	ECB =2.0L 4 Cyl. SOHC	DD5 = 5 Speed Manual
H=High Line	D= Dodge		EBD = 1.8L 4Cyl SOHC	DGC = 3 Speed Automatic
	D= Chrysler			DG0 = All Automatic
	P= Plymouth			DBB = All Manual

AR = Use as required - = Non illustrated part # = New this model year

May 3, 2002

Modules, Electronic  
Figure 008-405



ITEM	PART NUMBER	QTY	LINE	SERIES	BODY	ENGINE	TRANS	DESCRIPTION
1	#5014 871AA	1						MODULE, Anti-Lock Brake System
2	#5269 877AB	1						MODULE, Air Bag Control
	#5293 227AB	1						(EUROPEAN)
3	#5269 985AB	1						MODULE, Immobilizer

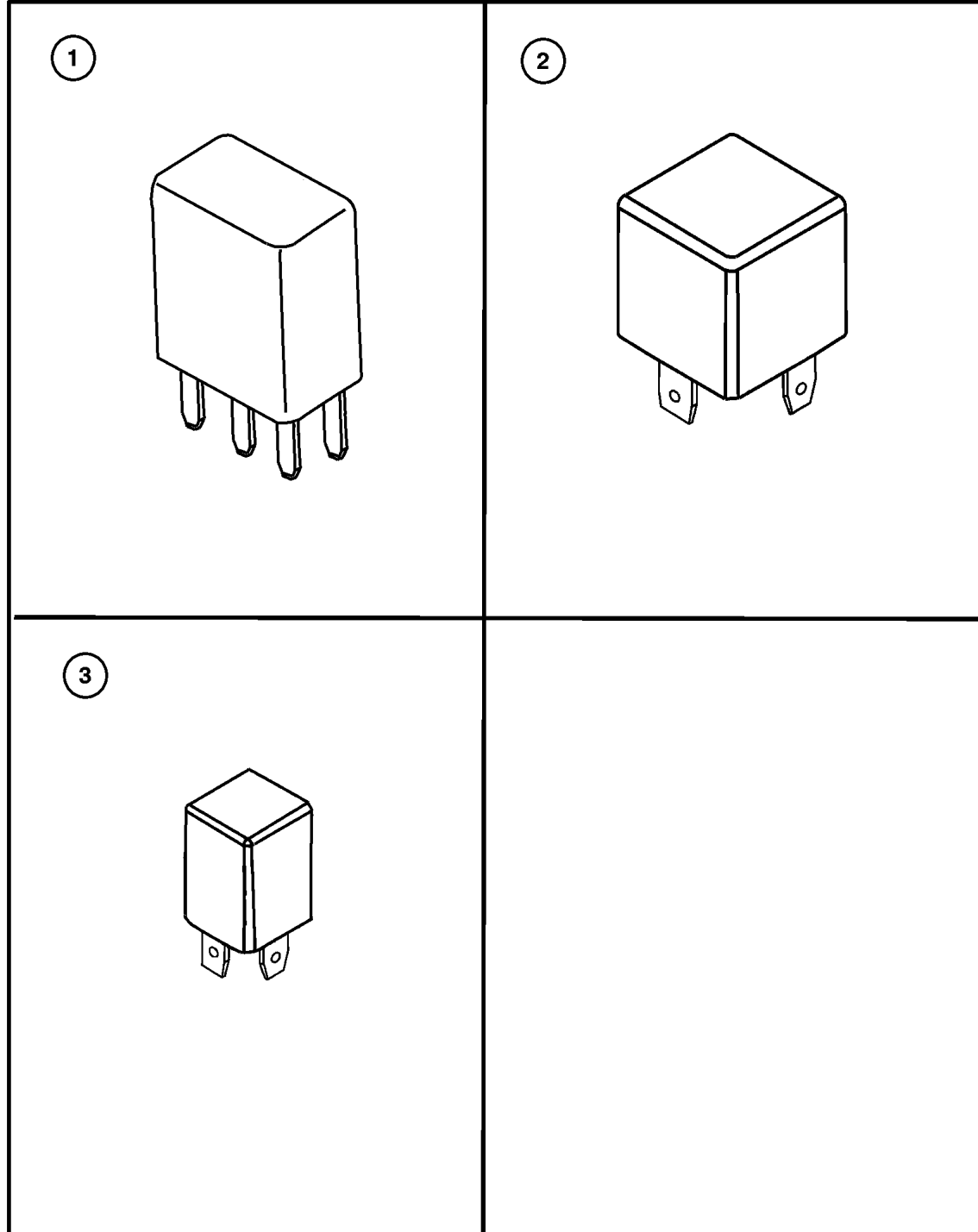
DODGE - PLYMOUTH - CHRYSLER NEON (PL)

SERIES	LINE	BODY	ENGINE	TRANSMISSION
L=Low Line	Z= RHD	41 = 4 Door, 104.0WB	ECB =2.0L 4 Cyl. SOHC	DD5 = 5 Speed Manual
H=High Line	D= Dodge		EBD = 1.8L 4Cyl SOHC	DGC = 3 Speed Automatic
	D= Chrysler			DG0 = All Automatic
	P= Plymouth			DBB = All Manual

AR = Use as required - = Non illustrated part # = New this model year

May 3, 2002

**Relays , Fuses  
Figure 008-505**



ITEM	PART NUMBER	QTY	LINE	SERIES	BODY	ENGINE	TRANS	DESCRIPTION
EBD=1.8L 4 CYL SOHC 16V SEFI manual, 12 Disc Magazine.								
EBT= 1.9L 4 CYL TURBO DIESEL manual, 12 Disc Magazine.								
ECB= 2.0L 4 CYL SOHC 16V SMPI manual, 12 Disc Magazine.								
1	4638 094	1				EBT		RELAY PACKAGE, Electrical Glow Plug
		1						Radiator Fan, Automatic Shutdown
2	#5269 988AA	1				EBT		RELAY, Mini Fuel Heater
		1				EBD, ECB		Auto Shut Down
3	4607 084	1						Starter, Fuel Pump, Horn, A/C Clutch FLASHER, Hazard Flasher
-4	6101 488	1						FUSE, Mini, 20 AMP, Yellow, Wiper
-5	4414 333	1						BREAKER, Circuit, 30 AMP

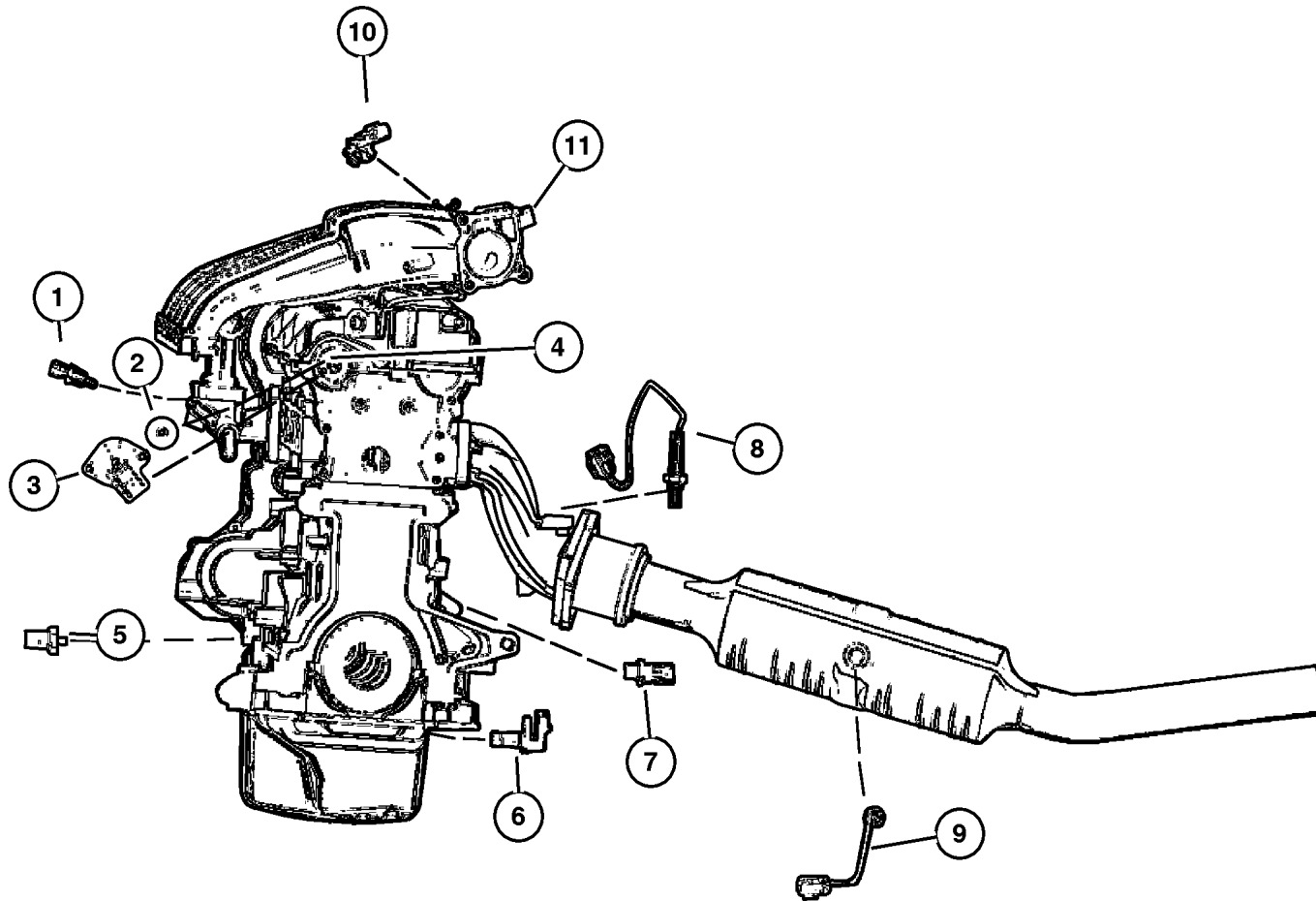
**DODGE - PLYMOUTH - CHRYSLER NEON (PL)**

SERIES	LINE	BODY	ENGINE	TRANSMISSION
L=Low Line	Z= RHD	41 = 4 Door, 104.0WB	ECB =2.0L 4 Cyl. SOHC	DD5 = 5 Speed Manual
H=High Line	D= Dodge		EBD = 1.8L 4Cyl SOHC	DGC = 3 Speed Automatic
	D= Chrysler			DG0 = All Automatic
	P= Plymouth			DBB = All Manual

AR = Use as required - = Non illustrated part # = New this model year

May 3, 2002

## Sensors, Engine Figure 008-605



ITEM	PART NUMBER	QTY	LINE	SERIES	BODY	ENGINE	TRANS	DESCRIPTION
EBD=1.8L 4 CYL SOHC manual, 12 Disc Magazine.								
ECB=2.0L 4 CYL SOHC manual, 12 Disc Magazine.								
DD5 = Manual 5 Speed manual, 12 Disc Magazine.								
DGL= 4 Speed Automatic manual, 12 Disc Magazine.								
DGC=3 Speed Automatic manual, 12 Disc Magazine.								
1	5602 7873	1				ECB		SENSOR, Coolant Temperature
		1				EBD		
2	5269 547	1				ECB		CAM MAGNET, Target
		1				EBD		
3	4882 850AA	1				ECB		SENSOR PACKAGE, Camshaft
		1				EBD		
4	4777 068	1				ECB		SEAL, Camshaft Sensor
		1				EBD		
5	4557 667	1				ECB		SENSOR, Knock
		1				EBD		
6	5269 703	1				ECB		SENSOR, Crankshaft Position
		1				EBD		
7	4608 303	1				ECB		SWITCH, Oil Pressure
		1				EBD		
8	#5269 866	1				ECB		SENSOR, Oxygen
		1				EBD		[NAA], Upstream Exhaust
	#5269 868AB	1				ECB		[NBU], Upstream Exhaust
9	#5293 036AB	1						SENSOR, Oxygen
	#5293 037AD	1						[NAA] Down Stream
	#5293 038AB	1						[NAC, NBV, NA3]
								[NBU] Down Stream
10	5269 983	1				ECB		SENSOR, Map
		1				EBD		
11	4874 430AB	1				EBD,	DD5	SENSOR KIT, Throttle Position
						ECB		
-12	#5293 138AA	1				ECB	DD5	SENSOR, Temperature, Air Temperature Inlet

**DODGE - PLYMOUTH - CHRYSLER NEON (PL)**

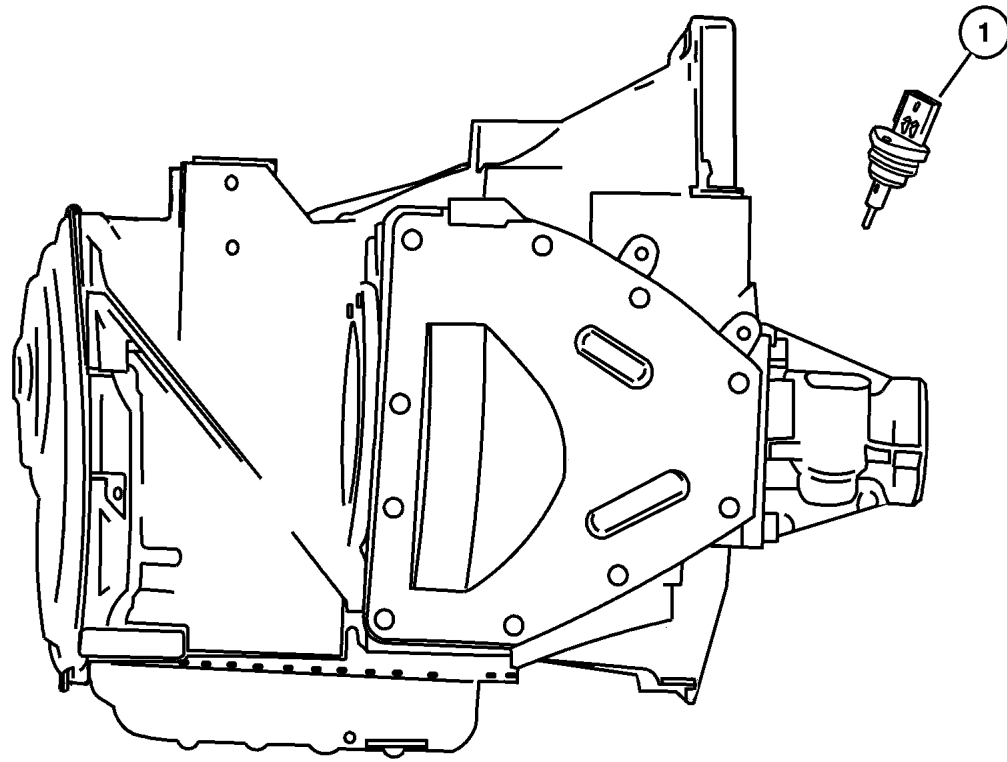
SERIES	LINE	BODY	ENGINE	TRANSMISSION
L=Low Line	Z= RHD	41 = 4 Door, 104.0WB	ECB =2.0L 4 Cyl. SOHC	DD5 = 5 Speed Manual
H=High Line	D= Dodge		EBD = 1.8L 4Cyl SOHC	DGC = 3 Speed Automatic
	D= Chrysler			DG0 = All Automatic
	P= Plymouth			DBB = All Manual

AR = Use as required - = Non illustrated part # = New this model year

May 3, 2002

Sensors, Transmission  
Figure 008-610

ITEM	PART NUMBER	QTY	LINE	SERIES	BODY	ENGINE	TRANS	DESCRIPTION
1	4707 839AA	1						SENSOR, Vehicle Speed



**DODGE - PLYMOUTH - CHRYSLER NEON (PL)**

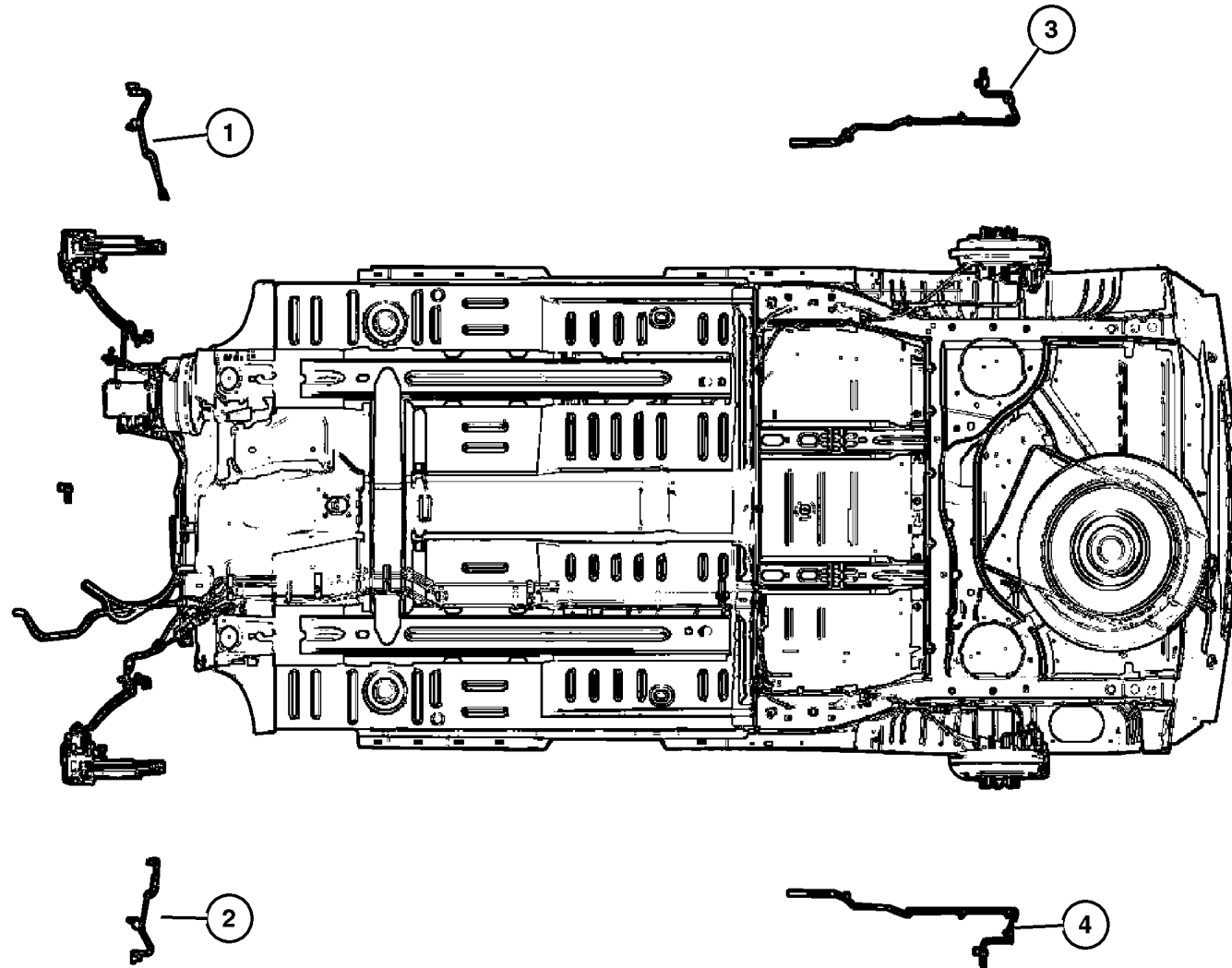
SERIES	LINE	BODY	ENGINE	TRANSMISSION
L=Low Line	Z= RHD	41 = 4 Door, 104.0WB	ECB =2.0L 4 Cyl. SOHC	DD5 = 5 Speed Manual
H=High Line	D= Dodge		EBD = 1.8L 4Cyl SOHC	DGC = 3 Speed Automatic
	D= Chrysler			DG0 = All Automatic
	P= Plymouth			DBB = All Manual

AR = Use as required - = Non illustrated part # = New this model year

May 3, 2002

**Sensors, Body**  
**Figure 008-615**

ITEM	PART NUMBER	QTY	LINE	SERIES	BODY	ENGINE	TRANS	DESCRIPTION
1	#5273 332	1						SENSOR, Anti-Lock Brakes, Right Front
2	#5273 333	1						SENSOR, Anti-Lock Brakes, Left Front
3	#5273 330	1						SENSOR, Anti-Lock Brakes, Right Rear
4	#5273 331	1						SENSOR, Anti-Lock Brakes, Left Rear



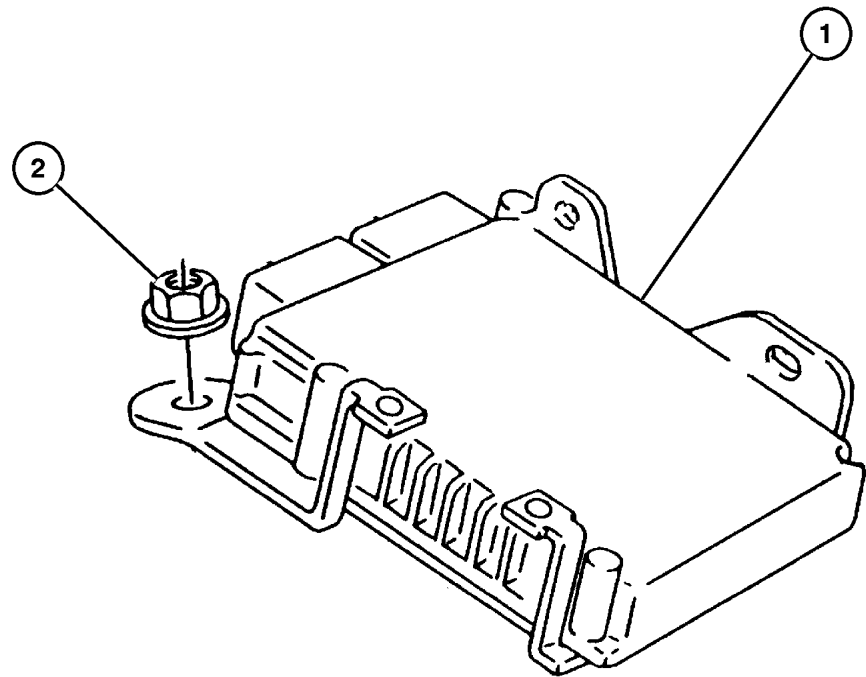
**DODGE - PLYMOUTH - CHRYSLER NEON (PL)**

SERIES	LINE	BODY	ENGINE	TRANSMISSION
L=Low Line	Z= RHD	41 = 4 Door, 104.0WB	ECB =2.0L 4 Cyl. SOHC	DD5 = 5 Speed Manual
H=High Line	D= Dodge		EBD = 1.8L 4Cyl SOHC	DGC = 3 Speed Automatic
	D= Chrysler			DG0 = All Automatic
	P= Plymouth			DBB = All Manual

AR = Use as required - = Non illustrated part # = New this model year

May 3, 2002

**Single Board Engine Controllers  
Figure 008-705**



ITEM	PART NUMBER	QTY	LINE	SERIES	BODY	ENGINE	TRANS	DESCRIPTION
EBD=1.8L 4 CYL SOHC 16V SEFI manual, 12 Disc Magazine.								
ECB= 2.0L 4 CYL SOHC 16V SMPI manual, 12 Disc Magazine.								
DGC= AUTOMATIC 3-SPEED manual, 12 Disc Magazine.								
DD5= MANUAL 5-SPEED manual, 12 Disc Magazine.								
1								MODULE, Engine Controller
	#5269 989AI	1	D, P			ECB	DGC	Federal Emissions
	#5293 018AN	1	D, P			ECB	DGC	Ultra Low Emissions
	#5293 022AJ	1	D, P			ECB	DD5	Federal Emissions
	#5293 023AM	1	D, P			ECB	DD5	Low Emissions
	#5293 029AJ	1				EBD	DD5	EUROPEAN, w/High Speed
	#5293 033AJ	1				ECB	DGC	EUROPEAN, w/High Speed
	#5293 034AG	1	D, P			ECB	DGC	Leaded Fuel
	#5293 035AG	1	D, P			ECB	DD5	Leaded Fuel
	#5293 222AC	1				ECB	DGC	EUROPEAN, w/o High Speed [NAC - NZ5]
	#5293 223AC	1				ECB	DD5	EUROPEAN, w/o High Speed [NAC - NZ5]
2	6100 048	1				EBD, ECB		NUT, Hex, M6x1.00, Engine Controller Mounting Upper
-3	#6506 057AA	1						STUD, 1 End, M6x1.00x25.00, Engine Controller Mounting Upper

**DODGE - PLYMOUTH - CHRYSLER NEON (PL)**

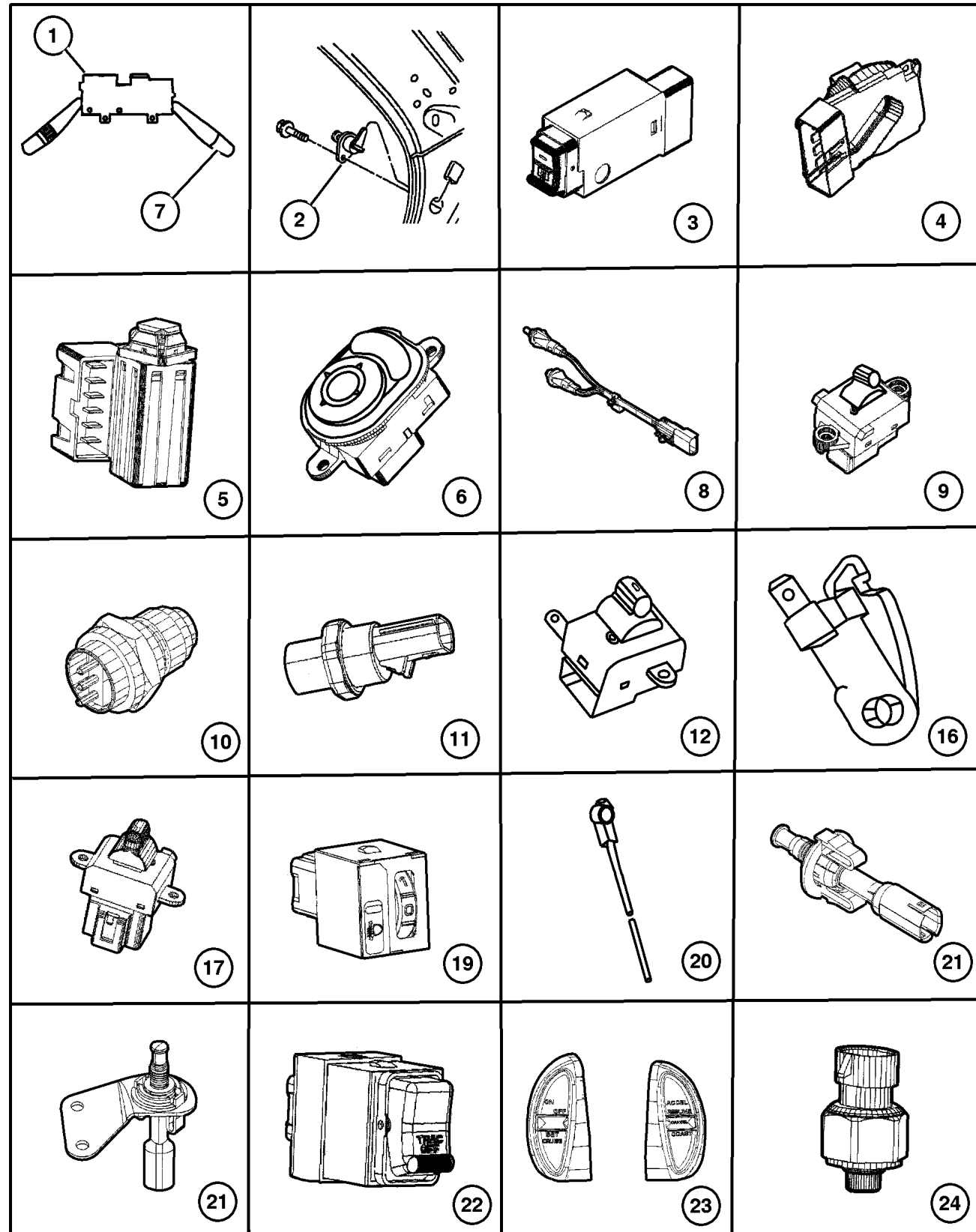
SERIES	LINE	BODY	ENGINE	TRANSMISSION
L=Low Line	Z= RHD	41 = 4 Door, 104.0WB	ECB =2.0L 4 Cyl. SOHC	DD5 = 5 Speed Manual
H=High Line	D= Dodge		EBD = 1.8L 4Cyl SOHC	DGC = 3 Speed Automatic
	D= Chrysler			DG0 = All Automatic
	P= Plymouth			DBB = All Manual

AR = Use as required - = Non illustrated part # = New this model year

May 3, 2002



## Switches Figure 008-805



ITEM	PART NUMBER	QTY	LINE	SERIES	BODY	ENGINE	TRANS	DESCRIPTION
ECB= 2.0L 4 CYL SOHC 16V SMPI manual, 12 Disc Magazine.								
DGC= AUTOMATIC 3-SPEED manual, 12 Disc Magazine.								
DD5= MANUAL 5-SPEED manual, 12 Disc Magazine.								
1								SWITCH, Multifunction
	#4794 305AA	1	D, P					w/o Fog Lamps
	#4794 306AA	1	D, P					w/Fog Lamps
	#4794 307AA	1						w/Rear Fog Lamps, (EUROPEAN)
	#4794 308AA	1						w/Front & Rear Fog Lamps, (EUROPEAN)
2	4671 264	2						SWITCH, Door Ajar, Is Sealed w/Short travel, Front and Rear
3	#4671 670AA	1						SWITCH, Electric Back Light
4								SWITCH, Ignition
	#4793 576	1	D, P				DD5	
		1	D, P				DGC	
		1	Z				DGC	
		1	Z				DD5	
5	4671 336	1						SWITCH, Stop Lamp
6								SWITCH, Mirror
	#4793 860AB	1	D, P					
	#4793 862AB	1	Z					Right Hand Drive
7	#4794 303AA	1	D, P					SWITCH, Intermittent Wiper
8	#5293 060AC	1	D, P				DD5	SWITCH, Clutch Starter Interlock
9	#4793 579	1						SWITCH, Door Lock
10	3747 361	1				ECB	DGC	SWITCH, Neutral, Safety, Back Up
11	4608 303	1				ECB		SWITCH, Oil Pressure
12	4685 435	1						SWITCH, Window and Door Lock, Power Sunroof
-13	#SW36 1L2AA	1						BEZEL, Power Sunroof
-14	#4671 699AA	1						RETAINER, Sunroof Switch
-15	#5014 574AA	1						SWITCH, A/C High Pressure Cut Off
16	4608 288AB	1						SWITCH, Cargo Lamp
17								SWITCH, Power Window
	#4793 858AA	1	Z					Driver Side
	#4793 859AA	1	D, P					Drivers Door Passenger Window
	#4793 858AA	1	D, P					Drivers Door Drivers Window
	#4793 859AA	1	D, P					Passengers Door
-18								BEZEL, Power Window Switch
	#QQ32 LAZAC	1	D, P					[AZ], Right
	#QQ32 WL5AC	1	D, P					[L5], Right
	#QQ39 LAZAC	1	D, P					[AZ], Left
	#QQ39 WL5AC	1	D, P					[L5], Left

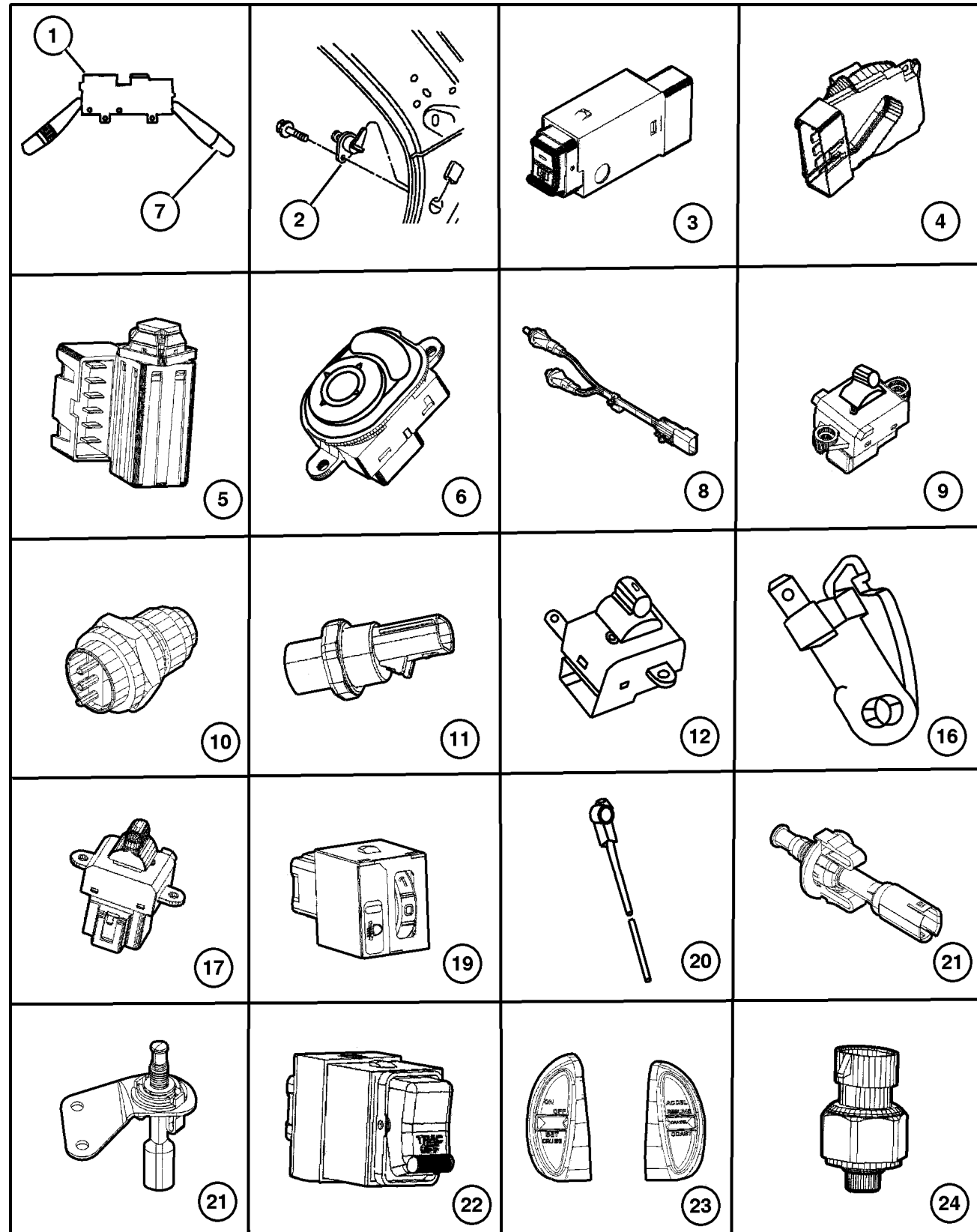
**DODGE - PLYMOUTH - CHRYSLER NEON (PL)**

SERIES	LINE	BODY	ENGINE	TRANSMISSION
L=Low Line	Z= RHD	41 = 4 Door, 104.0WB	ECB =2.0L 4 Cyl. SOHC	DD5 = 5 Speed Manual
H=High Line	D= Dodge		EBD = 1.8L 4Cyl SOHC	DGC = 3 Speed Automatic
	D= Chrysler			DG0 = All Automatic
	P= Plymouth			DBB = All Manual

AR = Use as required - = Non illustrated part # = New this model year

May 3, 2002

## Switches Figure 008-805



ITEM	PART NUMBER	QTY	LINE	SERIES	BODY	ENGINE	TRANS	DESCRIPTION
	#QQ40 LAZAC	1	Z					[AZ], Right
	#QQ40 WL5AC	1	Z					[L5], Right
	#QQ49 LAZAC	1	Z					[AZ] [RHD], Left
	#QQ49 WL5AC	1	Z					[L5] [RHD], Left
19	#4794 276AA	1						SWITCH, Headlamp Leveling
20								SWITCH, Security Alarm
	#4671 067AB	1						Decklid
	#5293 090AA	2						Disarm
21								SWITCH, Underhood
	4707 875AA	1						
	#5293 096AA	1						w/Bracket
22	#4671 672AA	1						SWITCH, Traction Control
23								SWITCH, Speed Control
	#QA76 1AZ	1						On/Off-Set, Agate
	#QA76 1L8	1						On/Off-Set, Dark Brown
	#QA77 1AZ	1						Accel-Resume, Agate
	#QA77 1L8	1						Accel-Resume, Dark Brown
24	5269 625	1	D, P					SWITCH, Power Steering
-25								CLOCKSPRING
	#4793 583	1						w/Driver & Passenger Airbag, w/o Speed Control
	#4793 585	1						w/Driver & Passenger Airbag, w/Speed Control
-26	4565 022	1						SWITCH AND LAMP, Glove Box
-27	4864 775	1					DD5	SWITCH, Back Up Lamp
-28	#4882 146	1						SWITCH, Horn
-29	4760 847AC	1						SWITCH, Deck Lid Release, After 6/21/99 (upto 06/21/99 uses remote Transmitter only)

**DODGE - PLYMOUTH - CHRYSLER NEON (PL)**

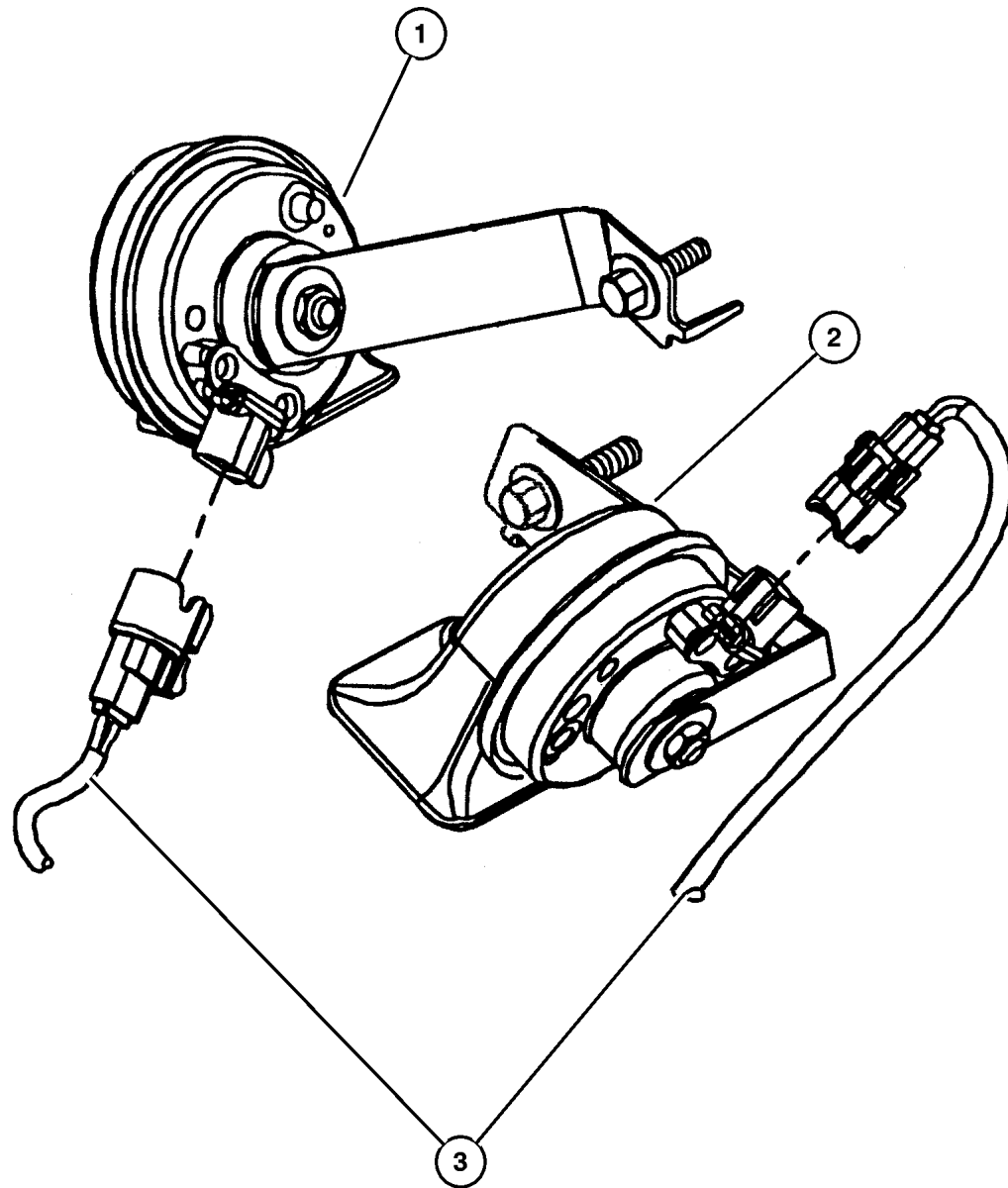
SERIES	LINE	BODY	ENGINE	TRANSMISSION
L=Low Line	Z= RHD	41 = 4 Door, 104.0WB	ECB =2.0L 4 Cyl. SOHC	DD5 = 5 Speed Manual
H=High Line	D= Dodge		EBD = 1.8L 4Cyl SOHC	DGC = 3 Speed Automatic
	D= Chrysler			DG0 = All Automatic
	P= Plymouth			DBB = All Manual

AR = Use as required - = Non illustrated part # = New this model year

May 3, 2002

# Horns Figure 008-905

ITEM	PART NUMBER	QTY	LINE	SERIES	BODY	ENGINE	TRANS	DESCRIPTION
1	#4793 526AC	1						HORN AND BRACKET, High Note
2	#4793 525AC	1						HORN AND BRACKET, Low Note
3	#4794 312AB	1						WIRING, Horn



**DODGE - PLYMOUTH - CHRYSLER NEON (PL)**

SERIES	LINE	BODY	ENGINE
L=Low Line	Z= RHD	41 = 4 Door, 104.0WB	ECB =2.0L 4 Cyl. SOHC
H=High Line	D= Dodge		EBD = 1.8L 4Cyl SOHC
	D= Chrysler		
	P= Plymouth		

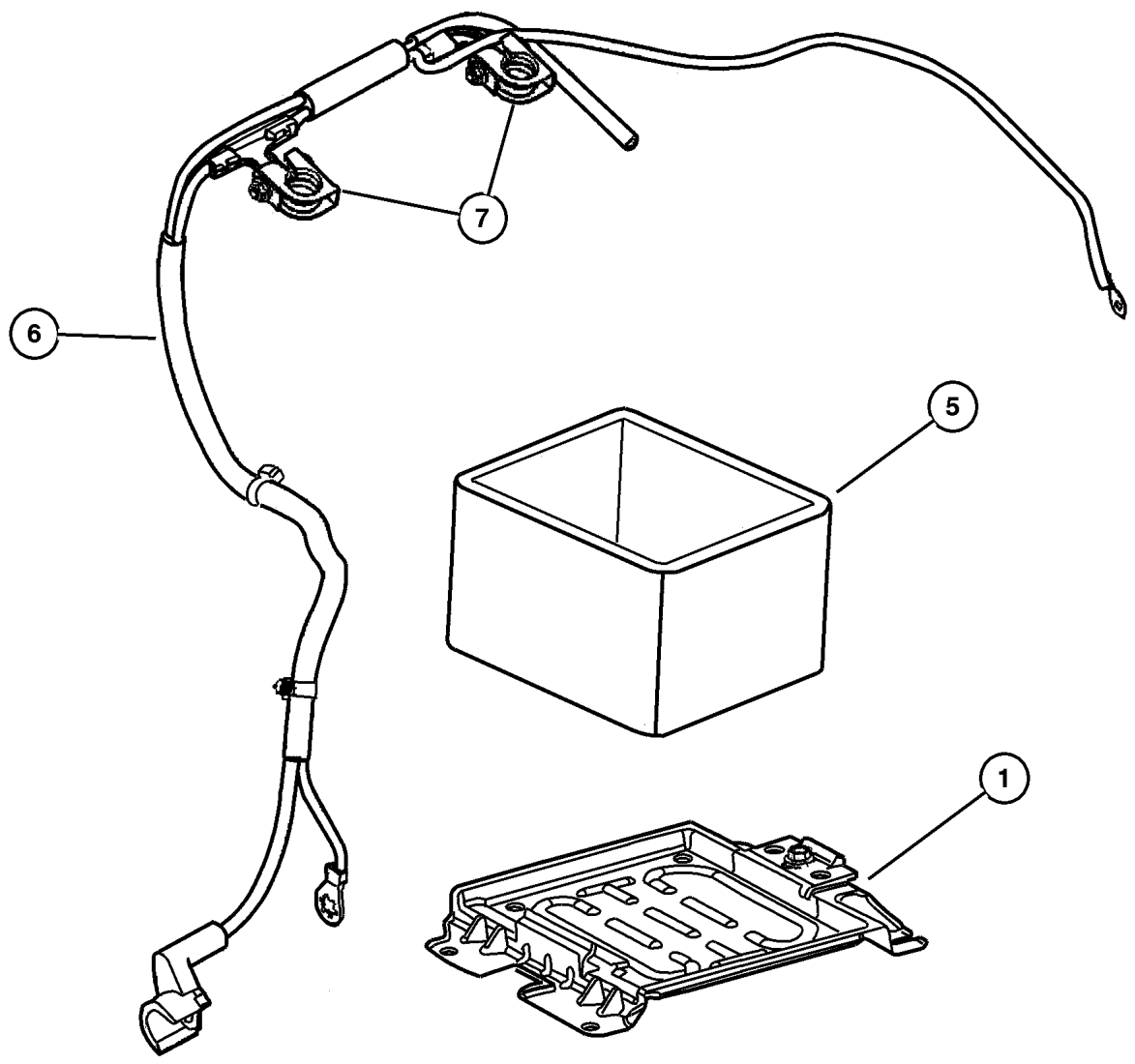
TRANSMISSION  
 DD5 = 5 Speed Manual  
 DGC = 3 Speed Automatic  
 DGO = All Automatic  
 DBB = All Manual

AR = Use as required - = Non illustrated part # = New this model year

May 3, 2002

### Battery Tray And Cables Figure 008-1001

ITEM	PART NUMBER	QTY	LINE	SERIES	BODY	ENGINE	TRANS	DESCRIPTION
EBD=1.8L 4 CYL SOHC 16V SEFI manual, 12 Disc Magazine.								
EBT= 1.9L 4 CYL TURBO DIESEL manual, 12 Disc Magazine.								
ECB= 2.0L 4 CYL SOHC 16V SMPI manual, 12 Disc Magazine.								
manual, 12 Disc Magazine.								
1	#5293 217AB	1				EBD,		TRAY, Battery
-2	6101 718	4				ECB		SCREW AND WASHER, Oval Head, M6x1x25, Battery Tray
-3	6101 455	2				EBD,		SCREW AND WASHER, Hex Head, M6x1x20, Battery Tray to Engine Mtg. Bracket
-4	6500 274	2				EBD,		LOCK NUT, M6x1.0x6, Battery Tray to Engine Mtg. Bracket
5	#4671 704AA	1				EBD,		SHIELD, Battery, Thermowrap
6	#4793 571AD	1				ECB		WIRING, Battery
7						EBD,		TERMINAL, Battery
	#4794 041AA	1				ECB		Positive Battery Cable
	#4794 042AA	1				EBD,		Negative Battery Ground
	#4794 183AA	1				ECB		Positive Battery Cable
-8								LABEL, Battery
	4557 480	2	D, P					ARABIC
	4793 062	1						EUROPEAN



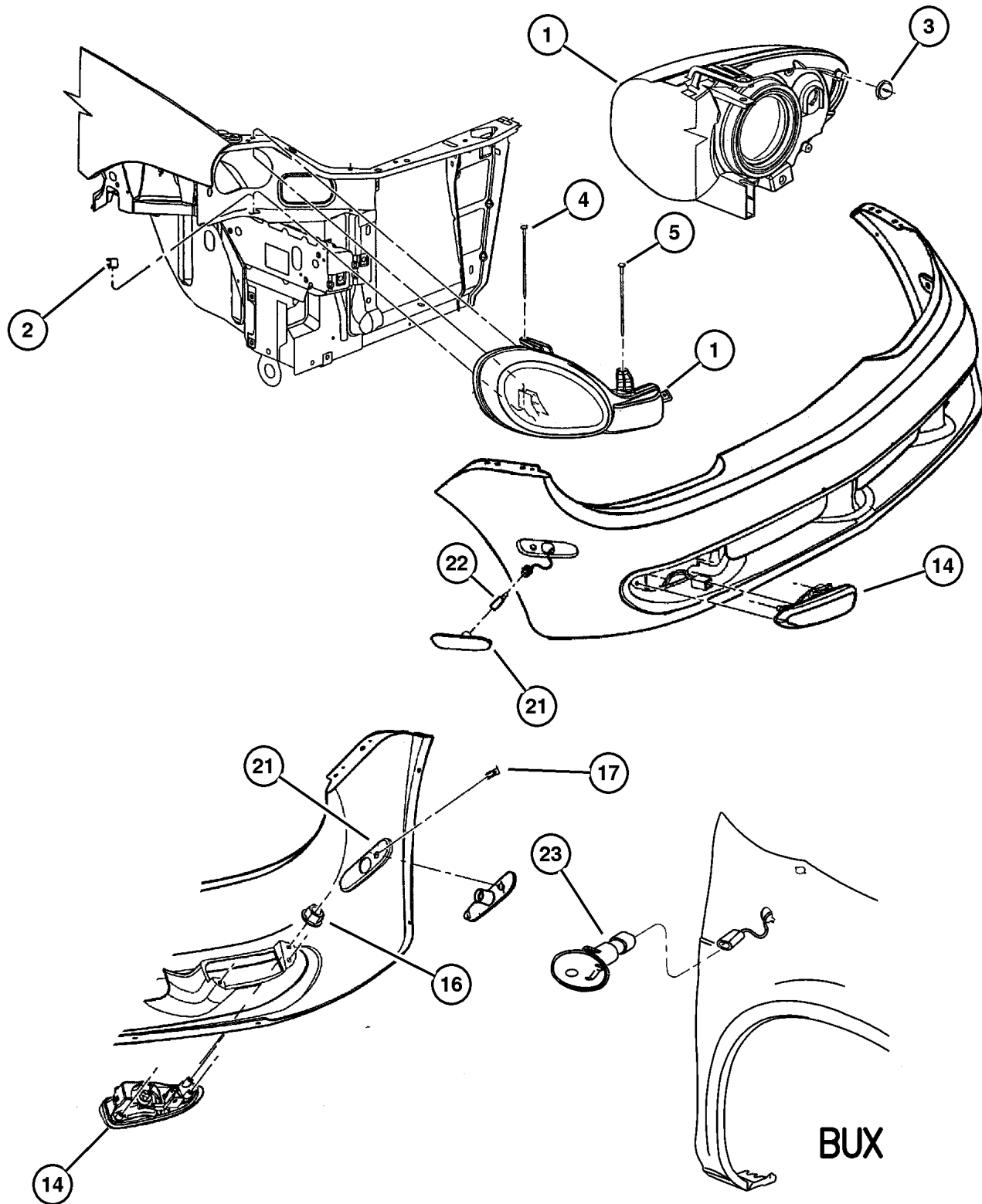
**DODGE - PLYMOUTH - CHRYSLER NEON (PL)**

SERIES	LINE	BODY	ENGINE	TRANSMISSION
L=Low Line	Z= RHD	41 = 4 Door, 104.0WB	ECB =2.0L 4 Cyl. SOHC	DD5 = 5 Speed Manual
H=High Line	D= Dodge		EBD = 1.8L 4Cyl SOHC	DGC = 3 Speed Automatic
	D= Chrysler			DG0 = All Automatic
	P= Plymouth			DBB = All Manual

AR = Use as required - = Non illustrated part # = New this model year

May 3, 2002

Lamps, Front  
Figure 008-1105



ITEM	PART NUMBER	QTY	LINE	SERIES	BODY	ENGINE	TRANS	DESCRIPTION
1								LAMP, Headlamp
	#5288 508AB	1	D, P					Right
	#5288 509AB	1	D, P					Left
	#5288 510AB	1	D					Right,Export
	#5288 511AB	1	D					Left,Export
	#5288 512AB	1	Z					Right
	#5288 513AB	1	Z					Left
2	4630 559	2						CLIP, Lamp
3	#5288 720AA	2						RETAINER, Headlamp to Fender
4	#6505 181AA	2						SCREW, Hex Flange Head, M6 x 1.00 x 193.25, Headlamp Jackscrew
5	#6505 535AA	2						SCREW, Hex Flange Head, M6 x 1.00 x 125.75, Headlamp Jackscrew
-6								BULB, Headlamp
	0153 621	1	Z					Export
		1	D					
	L000 9007	1	D, P					
-7	#5014 418AA	1	D, P					RETAINER, Headlamp Bulb
-8								WIRING, Headlamp Jumper
	#5288 713AA	1	Z					Export
		1	D					
-9								VENT, Headlamp
	4805 147	2	Z					
		2	D					
-10								WELT, Headlamp
	#5288 714AA	1	D, P					Right
		1	Z					Right
	#5288 715AA	1	D, P					Left
		1	Z					Left
-11	#5288 917AA	1	D, P					SOCKET, Park And Turn Signal
-12								SOCKET, Turn Signal Lamp
	#5288 918AA	1	Z					Export
		1	D					
-13								BULB, 3757APY27/7W
	#0154 894AA	1	D					Turn Signal,Export
		1	Z					Turn Signal
14								LAMP, Fog
	#5288 514	1	D, P					Domestic, Right
	#5288 515	1	D, P					Domestic, Left
	#5288 592AB	1	D, Z					[MLW], Right,Export
	#5288 593AB	1	D, Z					[MLW], Left,Export
-15								PLUG, Front Fascia
	#5288 822AA	1						Fog Lamp,Right

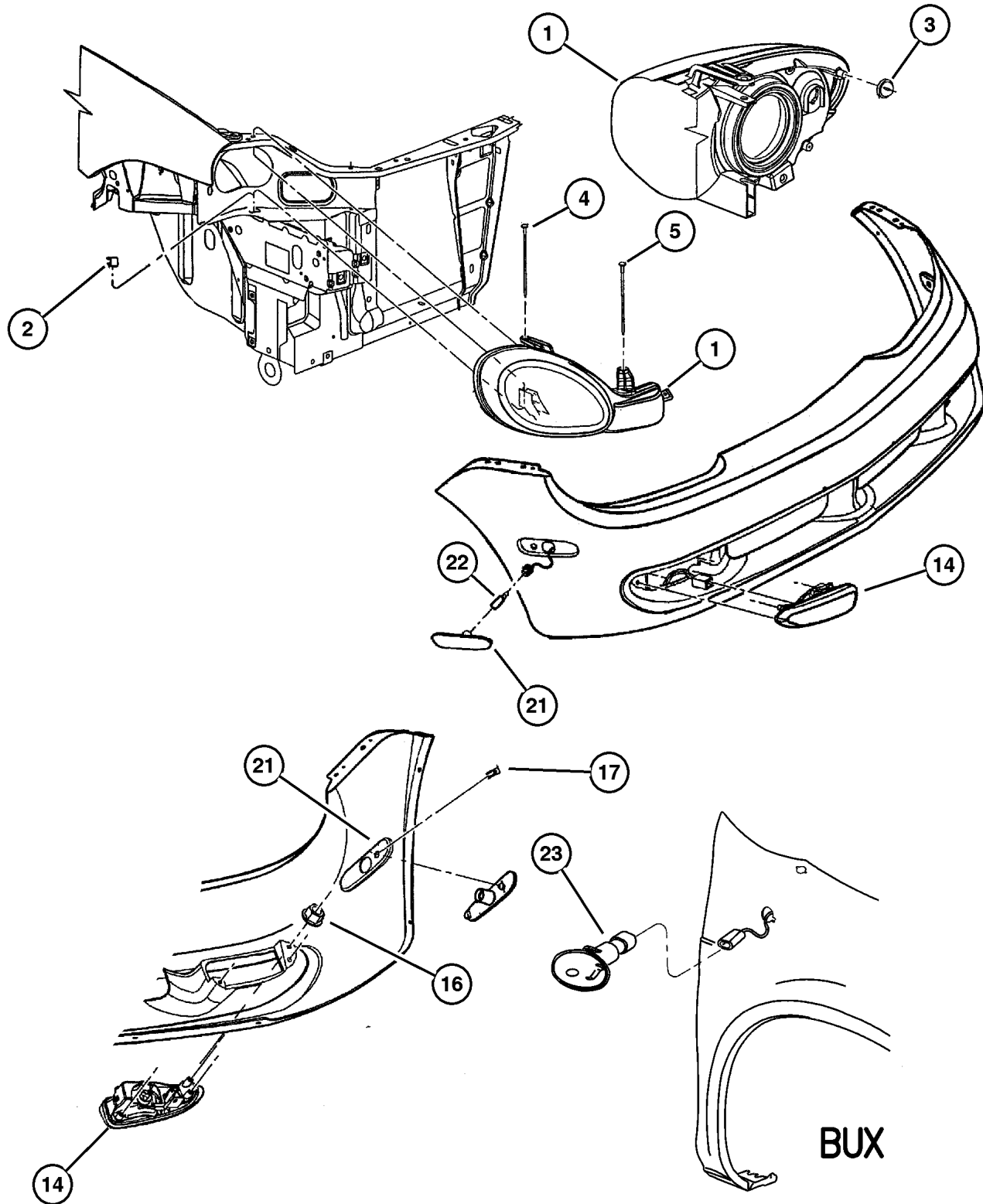
DODGE - PLYMOUTH - CHRYSLER NEON (PL)

SERIES	LINE	BODY	ENGINE	TRANSMISSION
L=Low Line	Z= RHD	41 = 4 Door, 104.0WB	ECB =2.0L 4 Cyl. SOHC	DD5 = 5 Speed Manual
H=High Line	D= Dodge		EBD = 1.8L 4Cyl SOHC	DGC = 3 Speed Automatic
	D= Chrysler			DG0 = All Automatic
	P= Plymouth			DBB = All Manual

AR = Use as required - = Non illustrated part # = New this model year

May 3, 2002

Lamps, Front  
Figure 008-1105



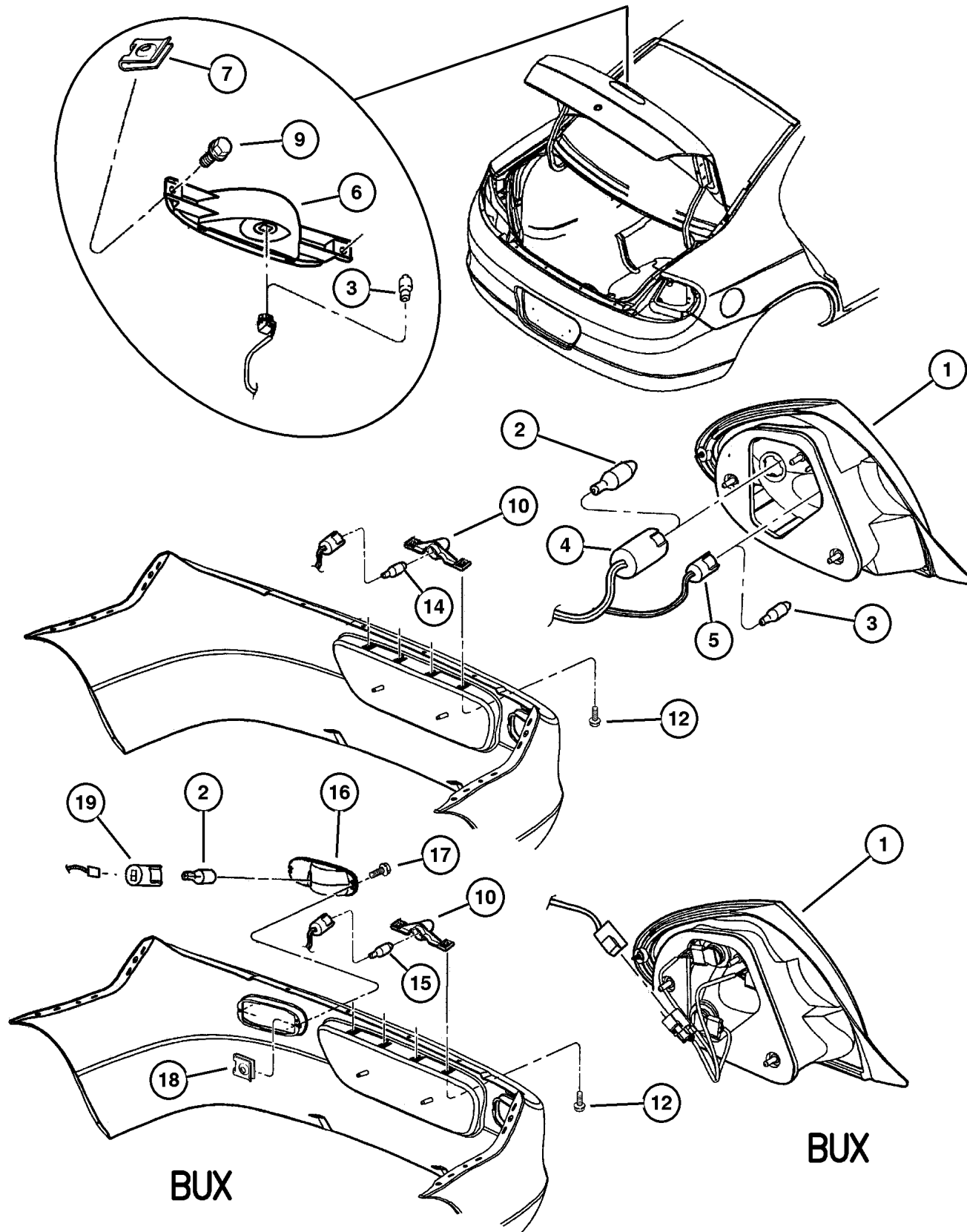
ITEM	PART NUMBER	QTY	LINE	SERIES	BODY	ENGINE	TRANS	DESCRIPTION
	#5288 823AA	1						Fog Lamp,Left
	#5288 834AA	1						Fog Lamp,Right,Export
	#5288 835AA	1						Fog Lamp,Left,Export
16	6101 447	6						NUT, Fog Lamp To Fascia
17	#5288 722AA	2						CLIP, Side Marker Attaching
-18	#4794 313AB	1						WIRING, Fog Lamp and Horn Jumper
-19	#0154 874AA	1	D, P					BULB, Fog Lamp, 37 1/2 WATT
-20	#0154 901AA	1	Z					BULB, Fog Lamp, 50 Watt
		1	D					Export
21								LAMP, Side Marker
	#5288 522AC	1	D, P					Right
	#5288 523AC	1	D, P					Left
22	L000 0168	1	D, P					BULB, 168
23	5288 895AB	2						LAMP, Side Repeater, Export
-24	4676 801	2						GASKET, Side Marker Lamp, Export
-25								BULB, W10/5
	0153 625	1	D					Side Repeater
		1	Z					Side Repeater
-26								SOCKET, Side Marker, 4400588, (NOT REQUIRED)
-27								BULB, 3157 NAK, 0154837 (4157NAK) Park & Turnsignal, (NOT REQUIRED)

DODGE - PLYMOUTH - CHRYSLER NEON (PL)  
 SERIES LINE BODY ENGINE TRANSMISSION  
 L=Low Line Z=RHD 41 = 4 Door, 104.0WB ECB =2.0L 4 Cyl. SOHC DD5 = 5 Speed Manual  
 H=High Line D= Dodge EBD = 1.8L 4Cyl SOHC DGC = 3 Speed Automatic  
 D= Chrysler DG0 = All Automatic  
 P= Plymouth DBB = All Manual

AR = Use as required - = Non illustrated part # = New this model year

May 3, 2002

Lamps, Rear  
Figure 008-1110



ITEM	PART NUMBER	QTY	LINE	SERIES	BODY	ENGINE	TRANS	DESCRIPTION
1								LAMP, Tail Stop Turn
	#5288 526AB	1	D, P					Right
	#5288 527AB	1	D, P					Left
	#5288 528AB	1						Right,Export
	#5288 529AB	1						Left,Export
2								BULB, 3157
	0154 851AA	2						Export
		2						Turn Signal And Side Marker Lamp
3								BULB, 921
	0154 883AA	1						Back Up Lamp
		1						Decklid High Mounted Stop Lamp
4	#5288 919AA	1						SOCKET, Tail, Stop, and Turn Lamp
5	#5288 921AA	1						SOCKET, Back-Up Lamp
6	#5288 534	1						LAMP, High Mounted Stop
7	#6505 780AA	2						BOLT AND RETAINER, M6x1.0x22.35
-8	5303 251	1						SOCKET, High Mounted Stop Lamp
9								NUT AND WASHER, Hex, M6x1, (NOT SERVICED)
10								LAMP, License Plate
	5303 021	1	D, P					Export
		2						
-11	4400 588	1	D, P					SOCKET, Tail and Side Lamp, License Lamp
12								SCREW, .164-18x.75, (NOT SERVICED)
-13								NUT/SPRING, "U"1THD, For .164-15
								Screw
	6035 837	2	D, P					License Lamp,Mounting
		4						License Lamp,Mounting,Export
14	L000 0168	1	D, P					BULB, 168, License Plate Lamp
15	0153 625	2						BULB, W10/5, License Plate Lamp,Export
16								LAMP, Fog
	#5288 536	1						Right,Rear,Export
	#5288 537	1						Left,Rear,Export
17	#6505 459AA	4						SCREW, Pan Head, Rear Fog Lamp Attaching
18	#6505 468AA	4						NUT, U Multi Thread, Rear Fog Lamp Attaching
19	#5288 915AA	1						SOCKET, Rear Fog Lamp,Export
-20	#5288 920AA	1						SOCKET, Turn Signal Lamp, Export
-21	#5303 440AA	1						GASKET, Tail Lamp

DODGE - PLYMOUTH - CHRYSLER NEON (PL)

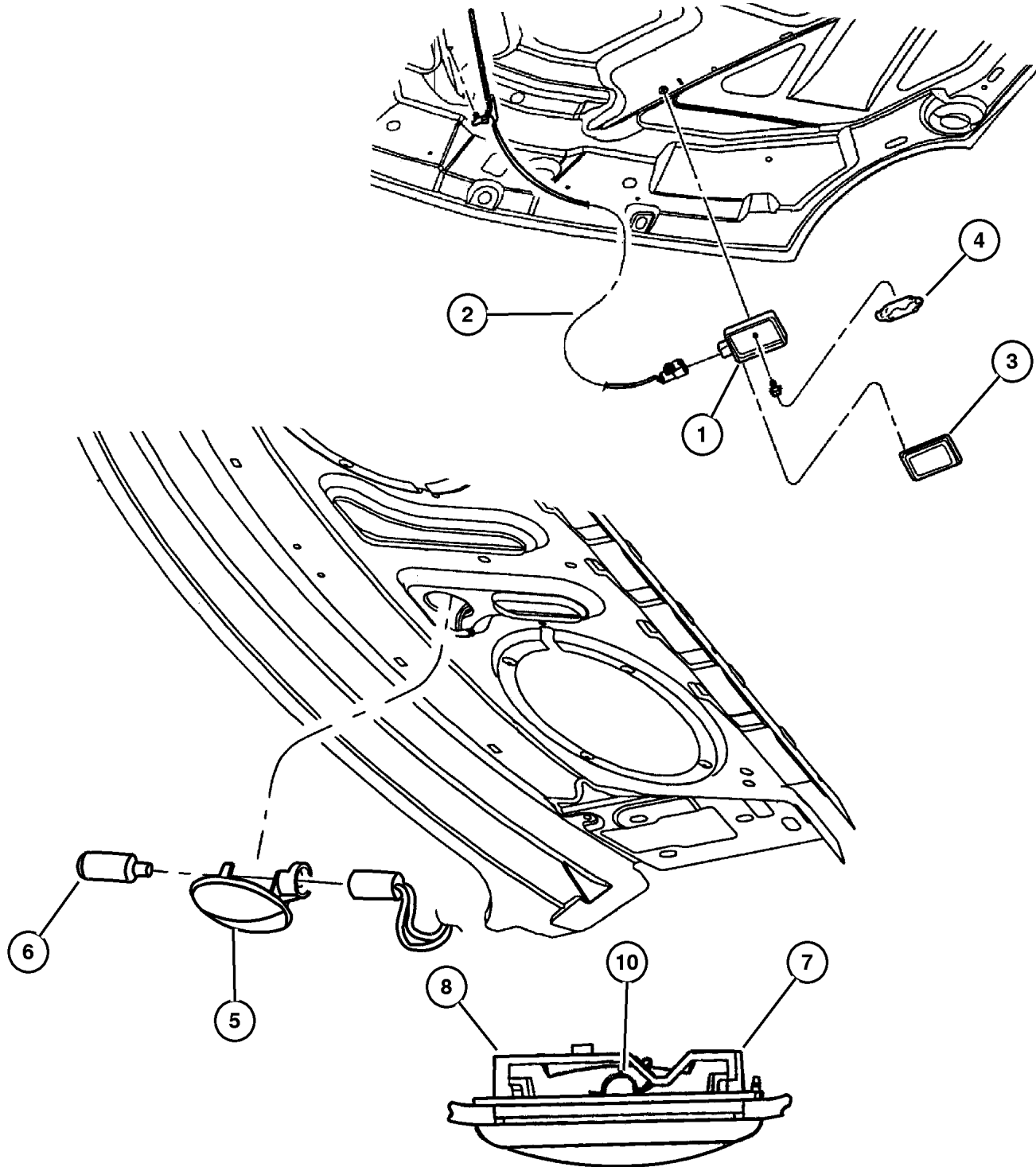
SERIES	LINE	BODY	ENGINE	TRANSMISSION
L=Low Line	Z= RHD	41 = 4 Door, 104.0WB	ECB =2.0L 4 Cyl. SOHC	DD5 = 5 Speed Manual
H=High Line	D= Dodge		EBD = 1.8L 4Cyl SOHC	DGC = 3 Speed Automatic
	D= Chrysler			DG0 = All Automatic
	P= Plymouth			DBB = All Manual

AR = Use as required - = Non illustrated part # = New this model year

May 3, 2002

**Dome, Underhood and Cargo Lamps**  
**Figure 008-1115**

ITEM	PART NUMBER	QTY	LINE	SERIES	BODY	ENGINE	TRANS	DESCRIPTION
1	5602 1441	1						LAMP, Underhood
2	#4794 043AC	1						WIRING, Underhood Lamp
3	4897 446AA	1						LENS, Lamp Module, Underhood Lamp
4	L000 0561	1						BULB, 561, Underhood Lamp
5	5209 554	1						LENS, Cargo Lamp
6	L000 0906	1						BULB, 906, Cargo Lamp
7	JV76 TL2	1						LAMP, Dome, Without Security Alarm
8	#RP45 TL2AA	1						SENSOR, Intrusion Module, Dome Lamp, With Security Package
-9								WIRING, Dome Lamp
	#4794 150AA	1						Without Security Alarm
	#4794 233AA	1						With Security Package
10	0154 762	1						BULB, 579, Dome Lamp



**DODGE - PLYMOUTH - CHRYSLER NEON (PL)**

SERIES	LINE	BODY	ENGINE	TRANSMISSION
L=Low Line	Z= RHD	41 = 4 Door, 104.0WB	ECB =2.0L 4 Cyl. SOHC	DD5 = 5 Speed Manual
H=High Line	D= Dodge		EBD = 1.8L 4Cyl SOHC	DGC = 3 Speed Automatic
	D= Chrysler			DG0 = All Automatic
	P= Plymouth			DBB = All Manual

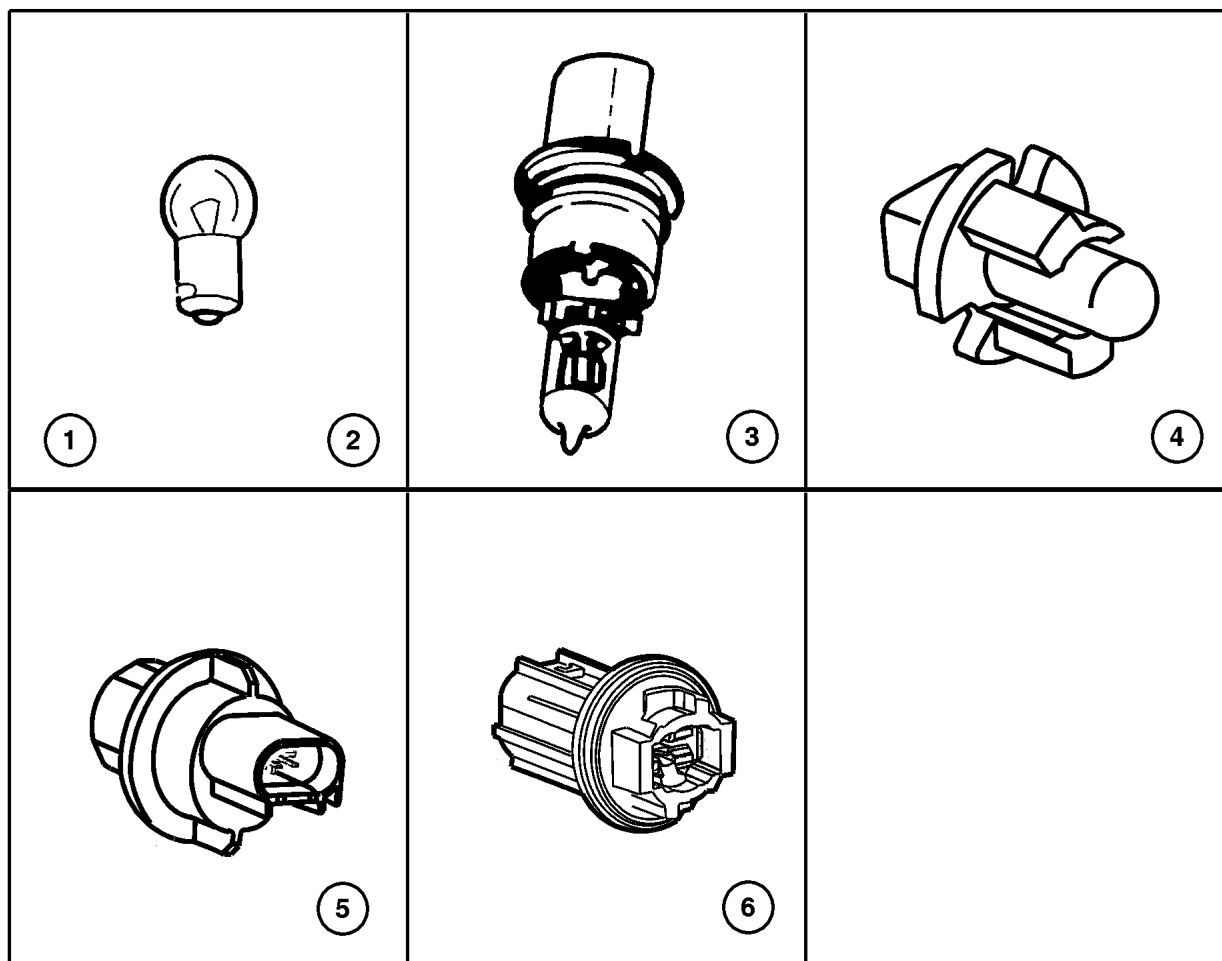
AR = Use as required - = Non illustrated part # = New this model year

May 3, 2002



## Sockets And Bulbs Figure 008-1180

ITEM	PART NUMBER	QTY	LINE	SERIES	BODY	ENGINE	TRANS	DESCRIPTION
manual, 12 Disc Magazine.								
DGC= AUTOMATIC 3-SPEED manual, 12 Disc Magazine.								
1	0154 851AA	1						BULB, 3157 Tail, Stop, Turn Signal Lamp
		1						Tail, Stop, Turn Signal, And Side Marker Lamp,Rear
2	#0154 894AA	1	D					BULB, 3757APY27/7W Turn Signal,Export
		1	Z					Turn Signal
3	L000 9007	1	D, P					BULB, Headlamp
4	#5015 235AA	1	Z					SOCKET
	#5015 236AA	1	D, P					
5	#5288 919AA	1						SOCKET, Tail, Stop, and Turn Lamp
6	#5288 921AA	1						SOCKET, Back-Up Lamp
-7	0154 883AA	1						BULB, 921 Deck Lid Lamp
		1						Back-Up Lamp
-8	L000 0168	2	D, P					BULB, 168 Sidemarker
		1	D, P					License Lamp
-9	5303 251	1						SOCKET, High Mounted Stop Lamp
-10								BULB, 578, L0000578, Dome Lamp, (NOT REQUIRED)
-11	L000 0194	1					DGC	BULB, 194, Gearshift Slector
-12	6501 966	1						BULB, 74, Illuminated Visor,Mirror
-13	L000 0037	1						BULB, 37, Console, Floor Lamp
-14								BULB, 161, L0000161, Ash Receiver, (NOT REQUIRED)
-15	L000 0561	1						BULB, 561, Underhood Lamp
-16	#0154 901AA	1	D					BULB, Fog Lamp, 50 Watt Front,Export
		1	Z					Front
-17	#0154 874AA	1	D, P					BULB, Fog Lamp, 37 1/2 WATT, Domestic



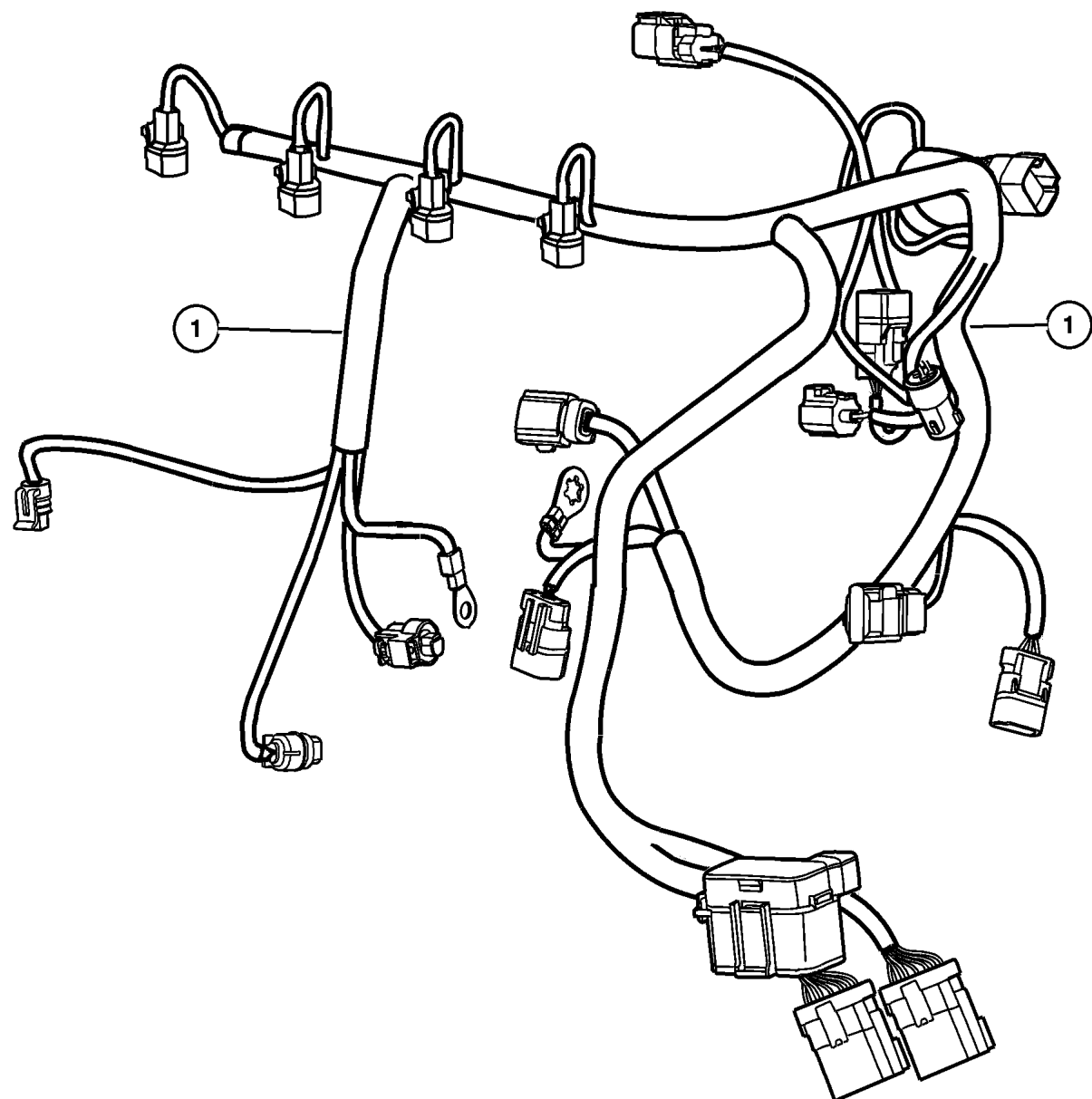
**DODGE - PLYMOUTH - CHRYSLER NEON (PL)**

SERIES	LINE	BODY	ENGINE	TRANSMISSION
L=Low Line	Z= RHD	41 = 4 Door, 104.0WB	ECB =2.0L 4 Cyl. SOHC	DD5 = 5 Speed Manual
H=High Line	D= Dodge		EBD = 1.8L 4Cyl SOHC	DGC = 3 Speed Automatic
	D= Chrysler			DG0 = All Automatic
	P= Plymouth			DBB = All Manual

AR = Use as required - = Non illustrated part # = New this model year

May 3, 2002

## Wiring, Engine Figure 008-1205



ITEM	PART NUMBER	QTY	LINE	SERIES	BODY	ENGINE	TRANS	DESCRIPTION
								manual, 12 Disc Magazine.
								manual, 12 Disc Magazine.
								EBD=1.8L 4 CYL SOHC 16V SEFI manual, 12 Disc Magazine.
								ECB= 2.0L 4 CYL SOHC 16V SMPI manual, 12 Disc Magazine.
1								WIRING, Engine
	#4793 569AB	1				ECB		
	#4794 228AB	1				EBD		
-2								SHIELD, Wiring
	#4794 274AC	1				ECB		with Ultra Low Emission (NBU)
	#4794 275AC	1				EBD,		without Ultra Low Emission (-NBU)
						ECB		
-3	6504 175	2				EBD,		NUT AND WASHER, Hex, M8x1.25, Heat
						ECB		Shield Mounting
-4								STUD, M10-1.50x44
	6503 490	2				ECB		
		2				EBD		
-5	6504 015	1				EBD,		SCREW, Heat Shield Mounting
						ECB		
-6								COVER, Injector Harness
	#4891 356AB	1				ECB		
	#4891 357AA	1				EBD		
-7	#4794 309AA	1					DGC	WIRING, Transmission Jumper

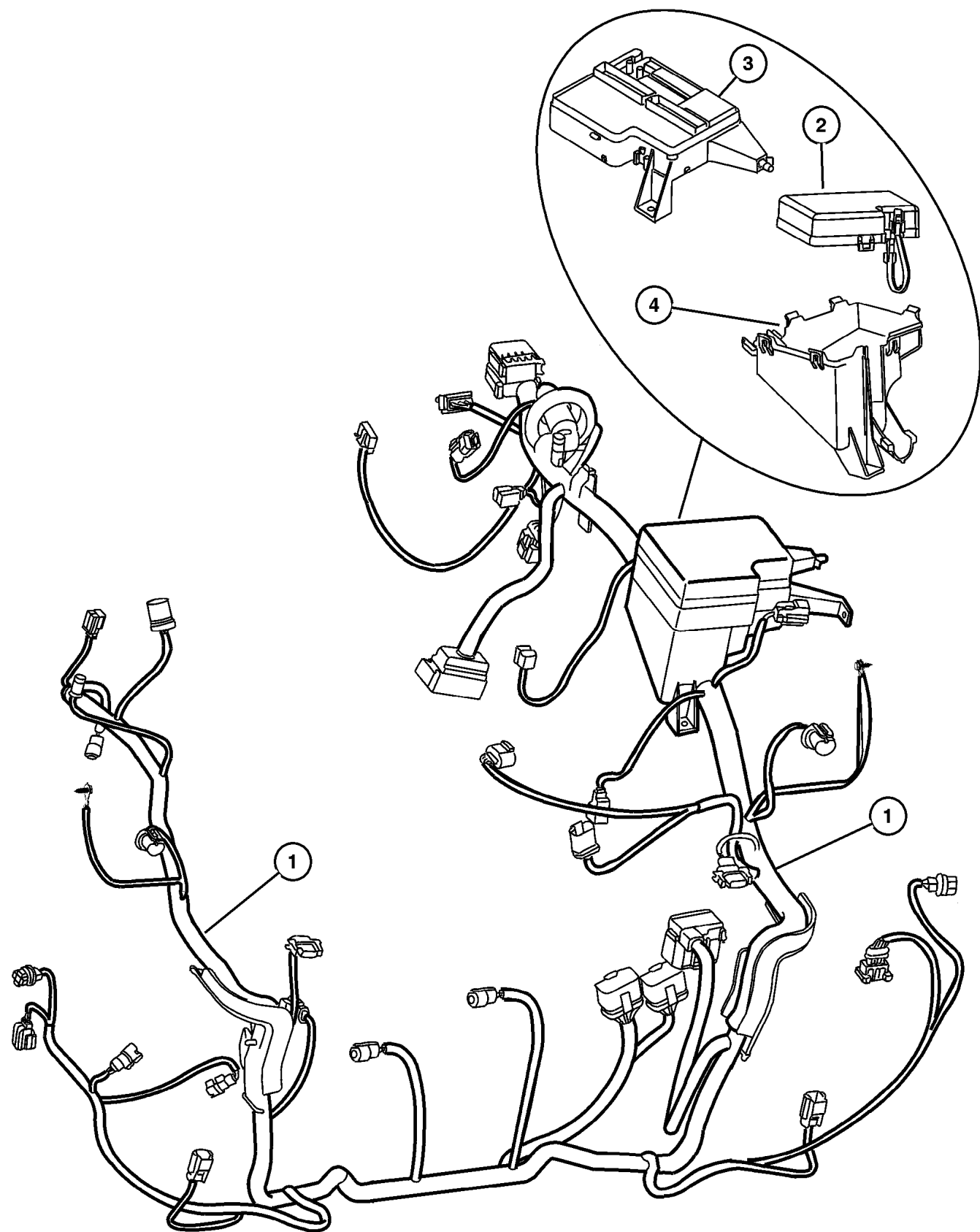
**DODGE - PLYMOUTH - CHRYSLER NEON (PL)**

SERIES	LINE	BODY	ENGINE	TRANSMISSION
L=Low Line	Z= RHD	41 = 4 Door, 104.0WB	ECB =2.0L 4 Cyl. SOHC	DD5 = 5 Speed Manual
H=High Line	D= Dodge		EBD = 1.8L 4Cyl SOHC	DGC = 3 Speed Automatic
	D= Chrysler			DG0 = All Automatic
	P= Plymouth			DBB = All Manual

AR = Use as required   - = Non illustrated part   # = New this model year

May 3, 2002

**Wiring, Headlamp and Power Distribution Center  
Figure 008-1305**



ITEM	PART NUMBER	QTY	LINE	SERIES	BODY	ENGINE	TRANS	DESCRIPTION
EBD=1.8L 4 CYL SOHC 16V SEFI manual, 12 Disc Magazine.								
ECB= 2.0L 4 CYL SOHC 16V SMPI manual, 12 Disc Magazine.								
DGC= AUTOMATIC 3-SPEED manual, 12 Disc Magazine.								
DD5= MANUAL 5-SPEED manual, 12 Disc Magazine.								
1								WIRING, Headlamp to Dash
	#4793 559AC	1	D, P			EBD, ECB	DGC	w/o ABS, Fog Lamps, Speed Control
	#4793 560AC	1	D, P			EBD, ECB	DGC	w/ABS
	#4793 915AC	1	D, P			EBD, ECB	DD5	w/o ABS
	#4793 916AC	1	D, P			EBD, ECB	DGC	w/o ABS, w/Fog Lamps, Speed Control
	#4793 917AC	1	D, P			EBD, ECB	DD5	w/ABS
	#4793 918AC	1					DD5	w/o ABS, EUROPEAN
	#4793 919AC	1					DGC	w/o ABS, EUROPEAN
	#4793 920AC	1					DD5	w/ABS, EUROPEAN
	#4793 922AC	1	Z			EBD, ECB	DD5	w/o ABS
	#4793 924AC	1	Z			EBD, ECB	DD5	w/ABS
	#4794 095AC	1					DGC	w/ABS, EUROPEAN
	#4794 096AC	1	Z			EBD, ECB	DGC	w/ABS
2	#4793 904AA	1						COVER, Power Distribution Center
3	#4793 903AB	1						HOUSING, Fuse And Relay Center, Top
4	#4794 076AA	1						COVER, Power Distribution Center, Bottom

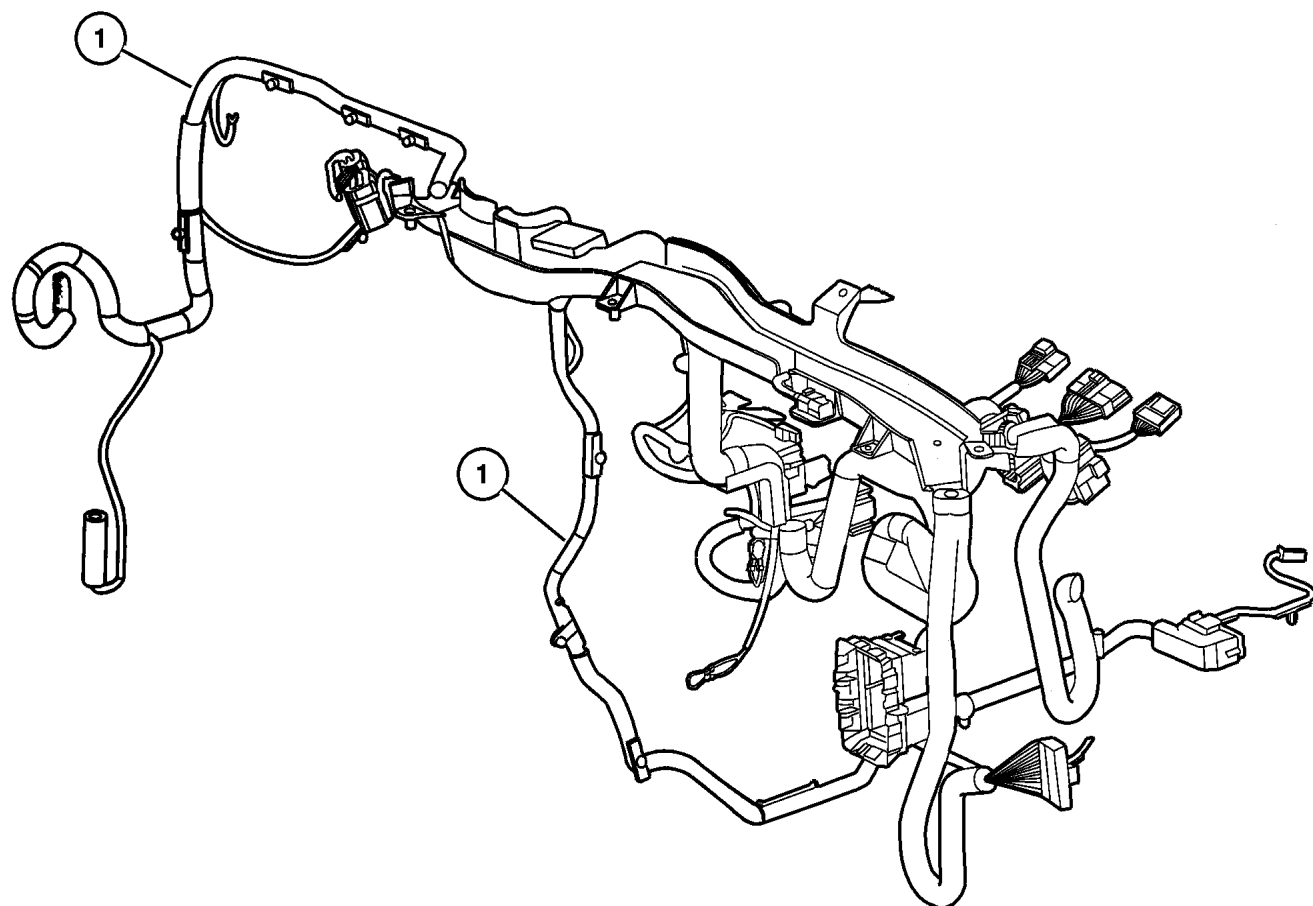
**DODGE - PLYMOUTH - CHRYSLER NEON (PL)**

SERIES	LINE	BODY	ENGINE	TRANSMISSION
L=Low Line	Z= RHD	41 = 4 Door, 104.0WB	ECB =2.0L 4 Cyl. SOHC	DD5 = 5 Speed Manual
H=High Line	D= Dodge		EBD = 1.8L 4Cyl SOHC	DGC = 3 Speed Automatic
	P= Chrysler			DG0 = All Automatic
				DBB = All Manual

AR = Use as required - = Non illustrated part # = New this model year

May 3, 2002

**Wiring, Instrument Panel**  
**Figure 008-1405**



ITEM	PART NUMBER	QTY	LINE	SERIES	BODY	ENGINE	TRANS	DESCRIPTION
EBD=1.8L 4 CYL SOHC 16V SEFI manual, 12 Disc Magazine.								
ECB= 2.0L 4 CYL SOHC 16V SMPI manual, 12 Disc Magazine.								
1								WIRING, Instrument Panel
	#4793 561AE	1	D, P			EBD, ECB		w/o ABS, Power Mirrors, Light Group, Power Windows
	#4793 562AE	1	D, P			EBD, ECB		w/Light Group, Speed Control, w/o Power Door Locks
	#4793 928AE	1	D, P			EBD, ECB		w/o ABS, w/Power Door Locks
	#4793 929AE	1	D, P			EBD, ECB		w/ABS, Power Door Locks
	#4793 934AE	1	D, P			EBD, ECB		(EUROPEAN)
	#4793 935AE	1	Z					
-2	6101 486	2						FUSE, Mini, 10 AMP, Red
-3	#4794 103AD	1	D, P					LABEL, Fuse Block
-4	4414 333	1						BREAKER, Circuit
-5	4607 084	1						FLASHER

**DODGE - PLYMOUTH - CHRYSLER NEON (PL)**

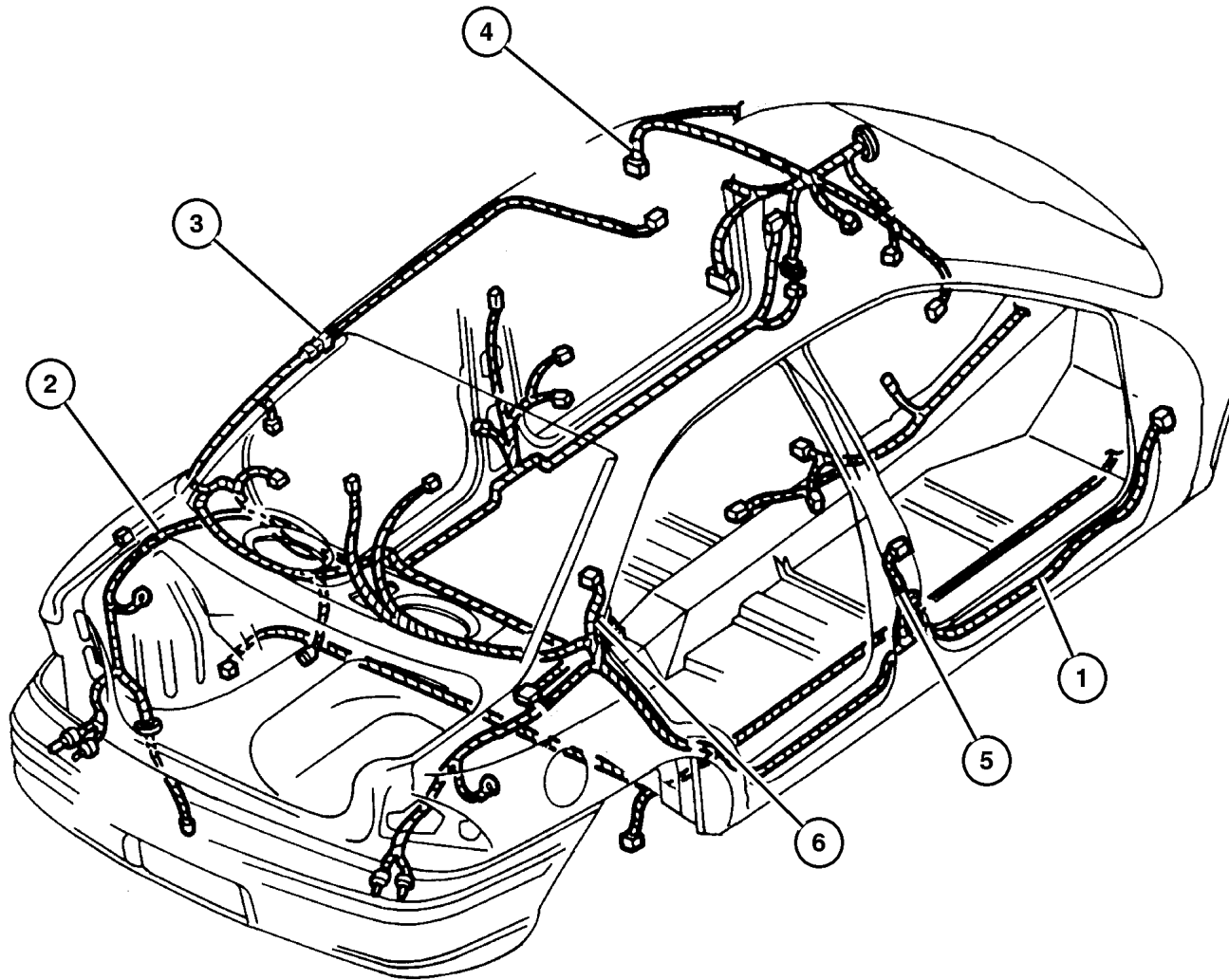
SERIES	LINE	BODY	ENGINE	TRANSMISSION
L=Low Line	Z= RHD	41 = 4 Door, 104.0WB	ECB =2.0L 4 Cyl. SOHC	DD5 = 5 Speed Manual
H=High Line	D= Dodge		EBD = 1.8L 4Cyl SOHC	DGC = 3 Speed Automatic
	D= Chrysler			DG0 = All Automatic
	P= Plymouth			DBB = All Manual

AR = Use as required - = Non illustrated part # = New this model year

May 3, 2002

**Wiring, Body And Accessories**  
**Figure 008-1505**

ITEM	PART NUMBER	QTY	LINE	SERIES	BODY	ENGINE	TRANS	DESCRIPTION
EBD=1.8L 4 CYL SOHC 16V SEFI manual, 12 Disc Magazine.								
ECB=2.0L 4 CYL SOHC 16V SMPI manual, 12 Disc Magazine.								
1	#4793 564AD	1	D, P					WIRING, Unified Body w/California Emissions, w/ Power Door Locks, Sentry Key Theft Deterrent
	#4793 936AD	1	D, P					w/California Emissions, w/o Power Door Locks, Sentry Key Theft Deterrent
	#4793 937AE	1	D, P					(EUROPEAN)
	#4793 939AD	1	Z					
	#4794 320AB	1	D, P					(EUROPEAN), w/Rear Wide License Plate, Power Door Locks
	#4794 356AA	1	D, P					w/Power Door Locks
	#4794 363AA	1	D, P					w/o Power Door Locks
	#4794 364AA	1	D, P					(EUROPEAN), w/Rear Wide License Plate, w/o Power Door Locks
2	#4793 573AC	1						WIRING, Deck Lid w/Trunk Lamp. w/o Power Trunklid Release
	#4794 098AC	1						Power, Trunklid Release
3	#4794 150AA	1	D, P					WIRING, Dome Lamp w/o Security Alarm
	#4794 233AA	1						w/ Security Alarm
	#4794 325AA	1						without Security with Sunroof
	#4794 326AA	1						with Security and Sunroof
4	#4793 574AD	1						WIRING, Illuminated Visor w/Light Group, w/o Sunroof
	#4794 314AA	1						w/Power Sunroof
5	#4793 565AC	2						WIRING, Door w/o Power Mirrors, Windows and Locks, Right & Left
	#4793 566AC	1	D, P					w Power Mirrors, Power Windows, Power Locks, Right
	#4793 567AD	1	D, P					w Power Mirrors, Power Windows, Power Locks, Left
	#4793 943AC	2						w/o Power Mirrors, Power Windows, w/ Power Locks, Right & Left
	#4793 944AC	1	Z					w Power Mirrors, Right
	#4793 945AC	1	Z					w Power Mirrors, Left
6	#4793 568AC	2						WIRING, Rear Door
-7	4661 940AB	1	Z					WIRING, Heater and A/C Jumper
-8								WIRING, Power Steering Switch, (NOT REQUIRED)
-9								WIRING, Fog Lamp



**DODGE - PLYMOUTH - CHRYSLER NEON (PL)**

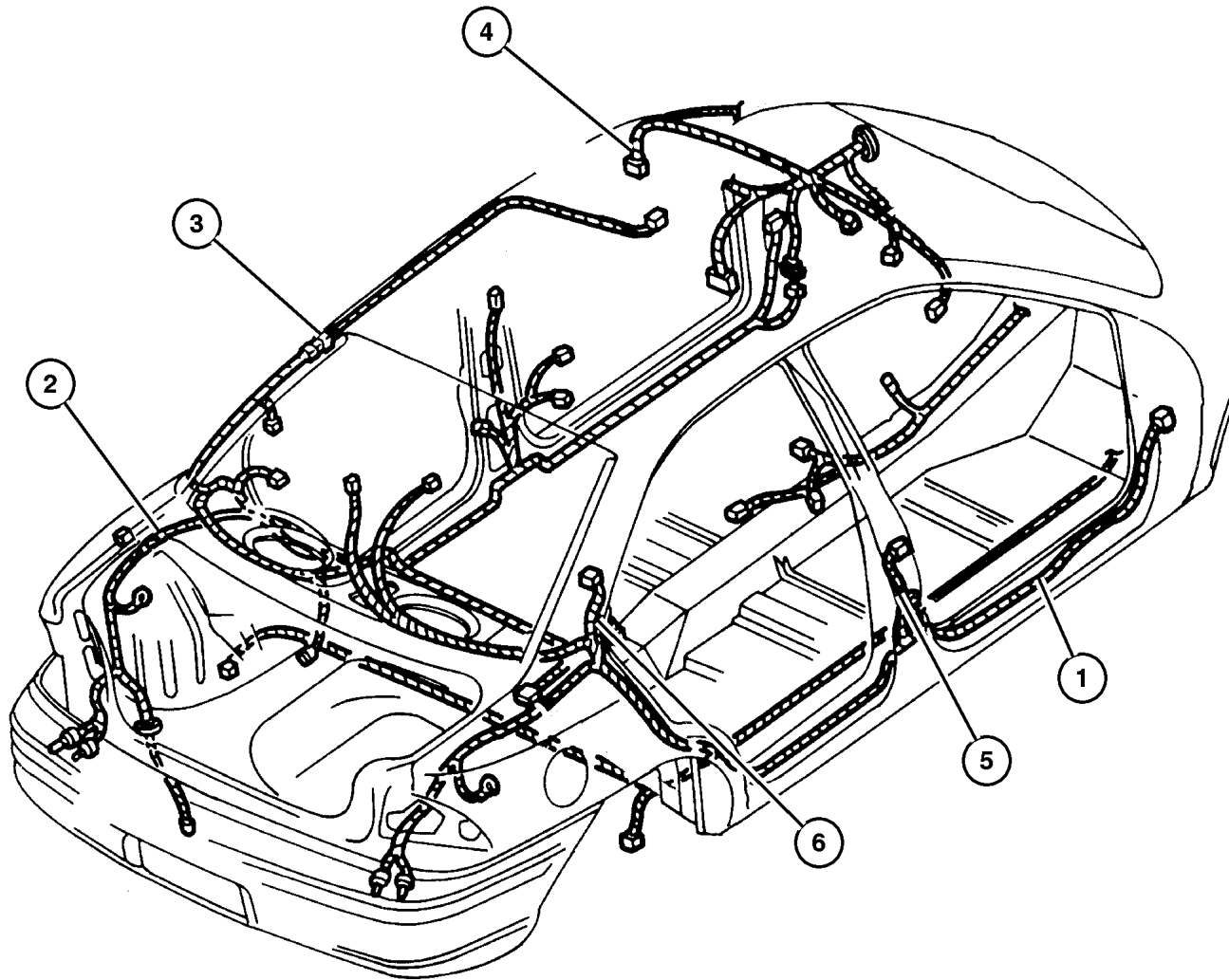
SERIES	LINE	BODY	ENGINE	TRANSMISSION
L=Low Line	Z= RHD	41 = 4 Door, 104.0WB	ECB =2.0L 4 Cyl. SOHC	DD5 = 5 Speed Manual
H=High Line	D= Dodge		EBD = 1.8L 4Cyl SOHC	DGC = 3 Speed Automatic
	D= Chrysler			DG0 = All Automatic
	P= Plymouth			DBB = All Manual

AR = Use as required - = Non illustrated part # = New this model year

May 3, 2002

**Wiring, Body And Accessories**  
**Figure 008-1505**

ITEM	PART NUMBER	QTY	LINE	SERIES	BODY	ENGINE	TRANS	DESCRIPTION
	#4794 310AB	1						Domestic
	#4794 311AC	1						Export
-10	#4793 571AD	1				EBD, ECB		WIRING, Battery
-11								SWITCH PACKAGE, Power Top, (NOT REQUIRED)



**DODGE - PLYMOUTH - CHRYSLER NEON (PL)**

SERIES	LINE	BODY	ENGINE	TRANSMISSION
L=Low Line	Z= RHD	41 = 4 Door, 104.0WB	ECB =2.0L 4 Cyl. SOHC	DD5 = 5 Speed Manual
H=High Line	D= Dodge		EBD = 1.8L 4Cyl SOHC	DGC = 3 Speed Automatic
	D= Chrysler			DG0 = All Automatic
	P= Plymouth			DBB = All Manual

AR = Use as required - = Non illustrated part # = New this model year

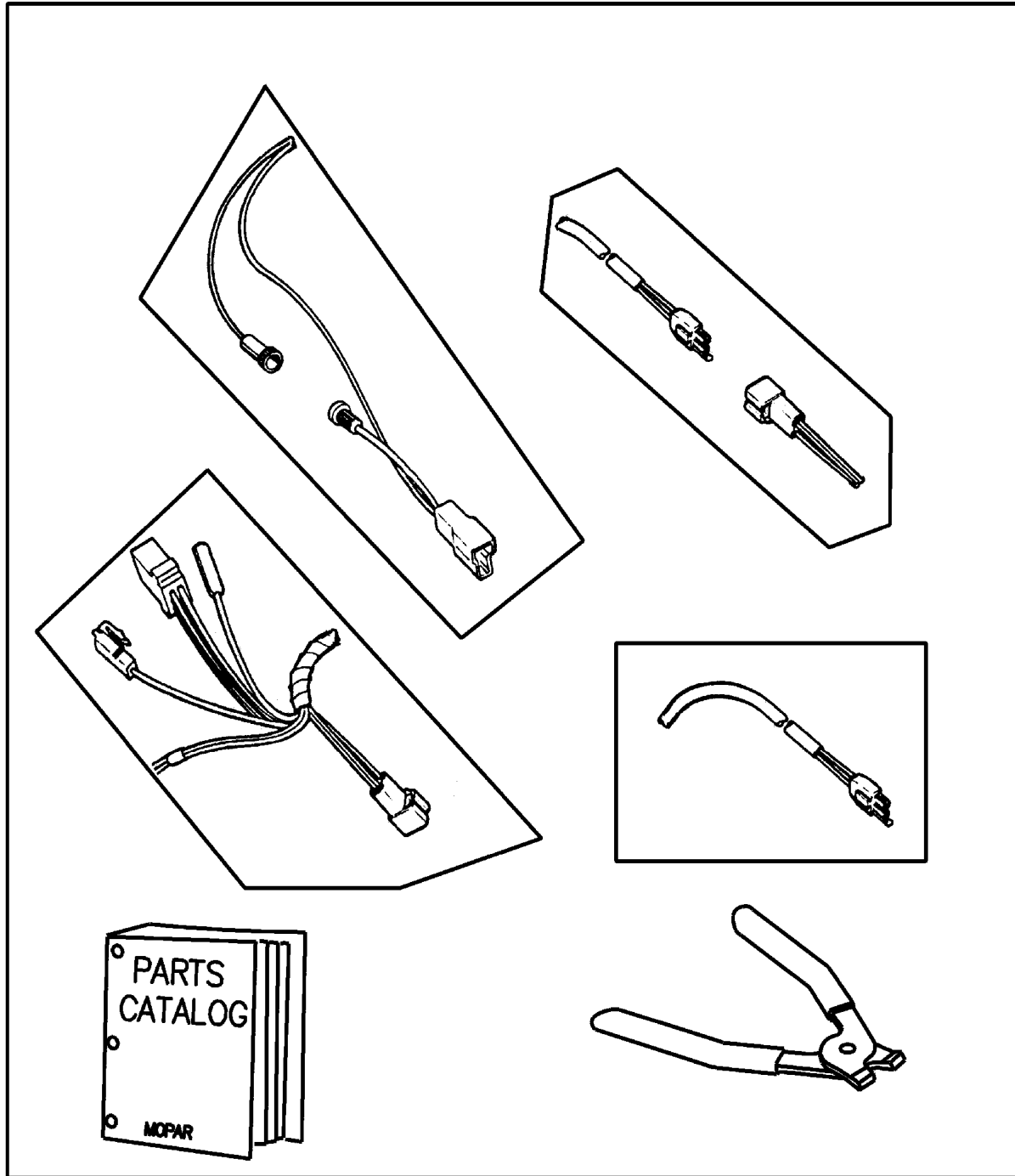
May 3, 2002

**Wiring Repair Packages**  
**Figure 008-1605**

ITEM	PART NUMBER	QTY	LINE	SERIES	BODY	ENGINE	TRANS	DESCRIPTION
------	-------------	-----	------	--------	------	--------	-------	-------------

EBD=1.8L 4 CYL SOHC 16V SEFI manual, 12 Disc Magazine.  
 ECH=2.0L 4 CYL SOHC 16V manual, 12 Disc Magazine.  
 ECB= 2.0L 4 CYL SOHC 16V SMPI manual, 12 Disc Magazine.

1	5013 930AA	1						WIRING PACKAGE, Underhood Connector Repair
-2	4364 375	1	Z			EBD, ECB		TUBE, Convoluted
		1	D, P			EBD, ECB, ECH		
-3	#4794 039AA	1						TERMINAL



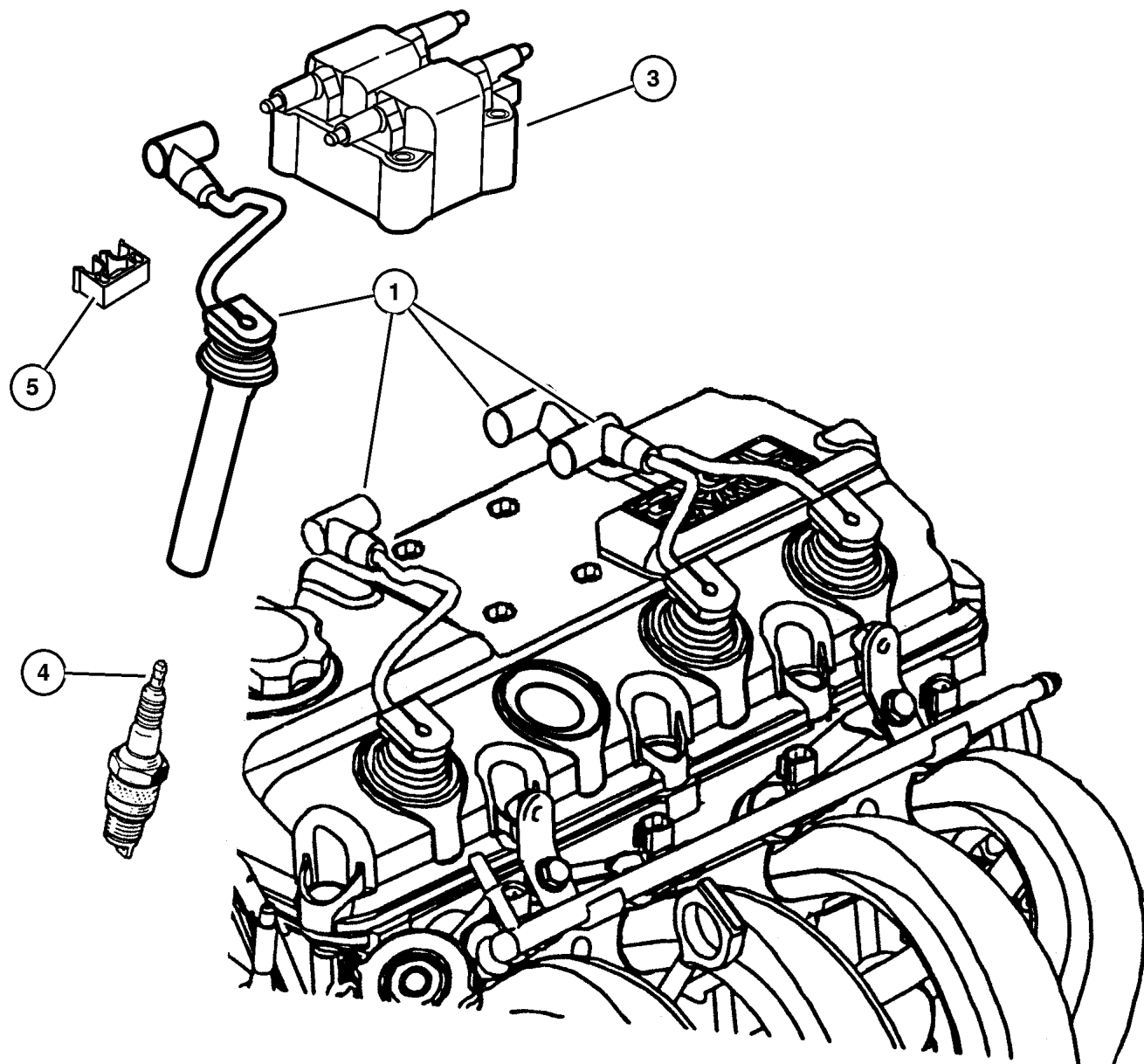
1

**DODGE - PLYMOUTH - CHRYSLER NEON (PL)**  
 SERIES LINE BODY ENGINE TRANSMISSION  
 L=Low Line Z=RHD 41 = 4 Door, 104.0WB ECB =2.0L 4 Cyl. SOHC DD5 = 5 Speed Manual  
 H=High Line D= Dodge EBD = 1.8L 4Cyl SOHC DGC = 3 Speed Automatic  
 P= Plymouth DBB = All Manual

AR = Use as required - = Non illustrated part # = New this model year

May 3, 2002

**Spark Plugs, Cables, Coils**  
**Figure 008-1902**



ITEM	PART NUMBER	QTY	LINE	SERIES	BODY	ENGINE	TRANS	DESCRIPTION
EBD=1.8L 4 CYL SOHC 16V SEFI manual, 12 Disc Magazine.								
ECB=2.0L 4 CYL SOHC 16V SMPI manual, 12 Disc Magazine.								
1	5269 577	2				ECB		CABLE, Ignition # 1 & 4
		2				EBD		# 1 & 4
	5269 578	2				ECB		# 2 & 3
		2				EBD		# 2 & 3
-2	4883 233	1				EBD		CABLE PACKAGE, Ignition
		1				ECB		
3	5269 670	1				ECB		COIL, Ignition
		1				EBD		
4	5269 897	4				ECB		SPARK PLUG, RC-9-YC
5	5269 579	2				ECB		RETAINER, Ignition Cable
		2				EBD		

**DODGE - PLYMOUTH - CHRYSLER NEON (PL)**

SERIES	LINE	BODY	ENGINE	TRANSMISSION
L=Low Line	Z= RHD	41 = 4 Door, 104.0WB	ECB =2.0L 4 Cyl. SOHC	DD5 = 5 Speed Manual
H=High Line	D= Dodge		EBD = 1.8L 4Cyl SOHC	DGC = 3 Speed Automatic
	D= Chrysler			DG0 = All Automatic
	P= Plymouth			DBB = All Manual

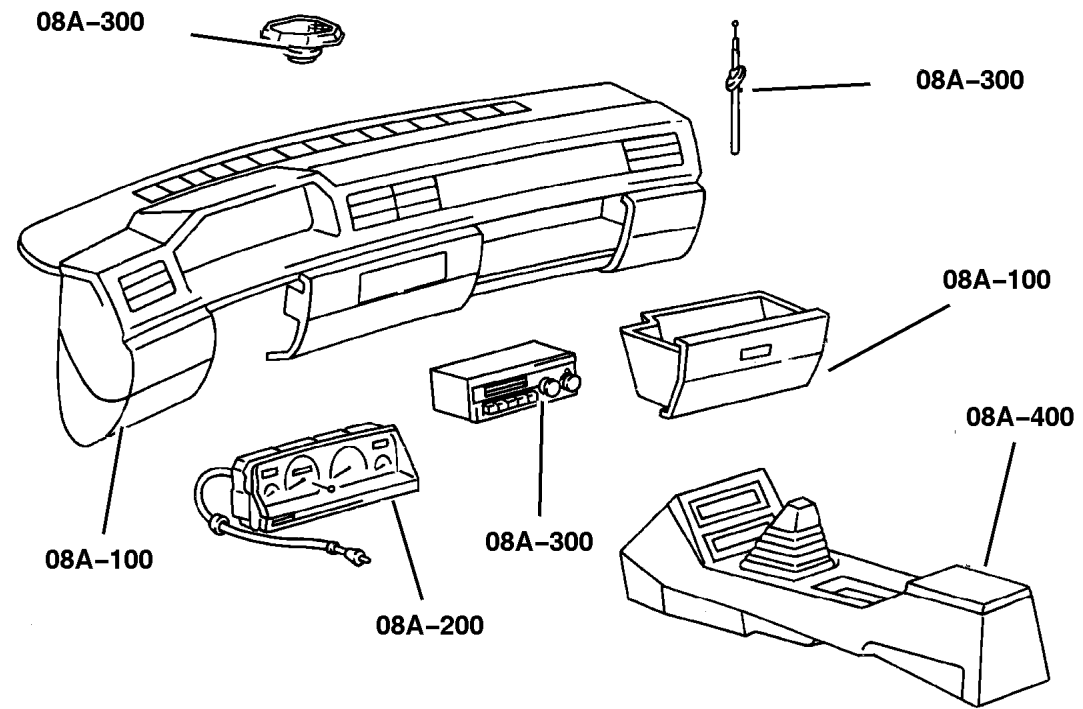
AR = Use as required - = Non illustrated part # = New this model year

May 3, 2002



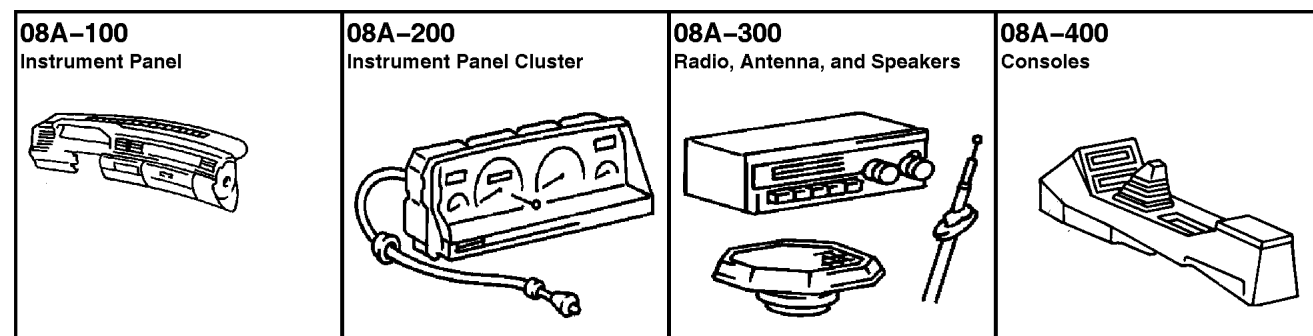
# Group – 08A

## Instrument Panel and Radios and Consoles

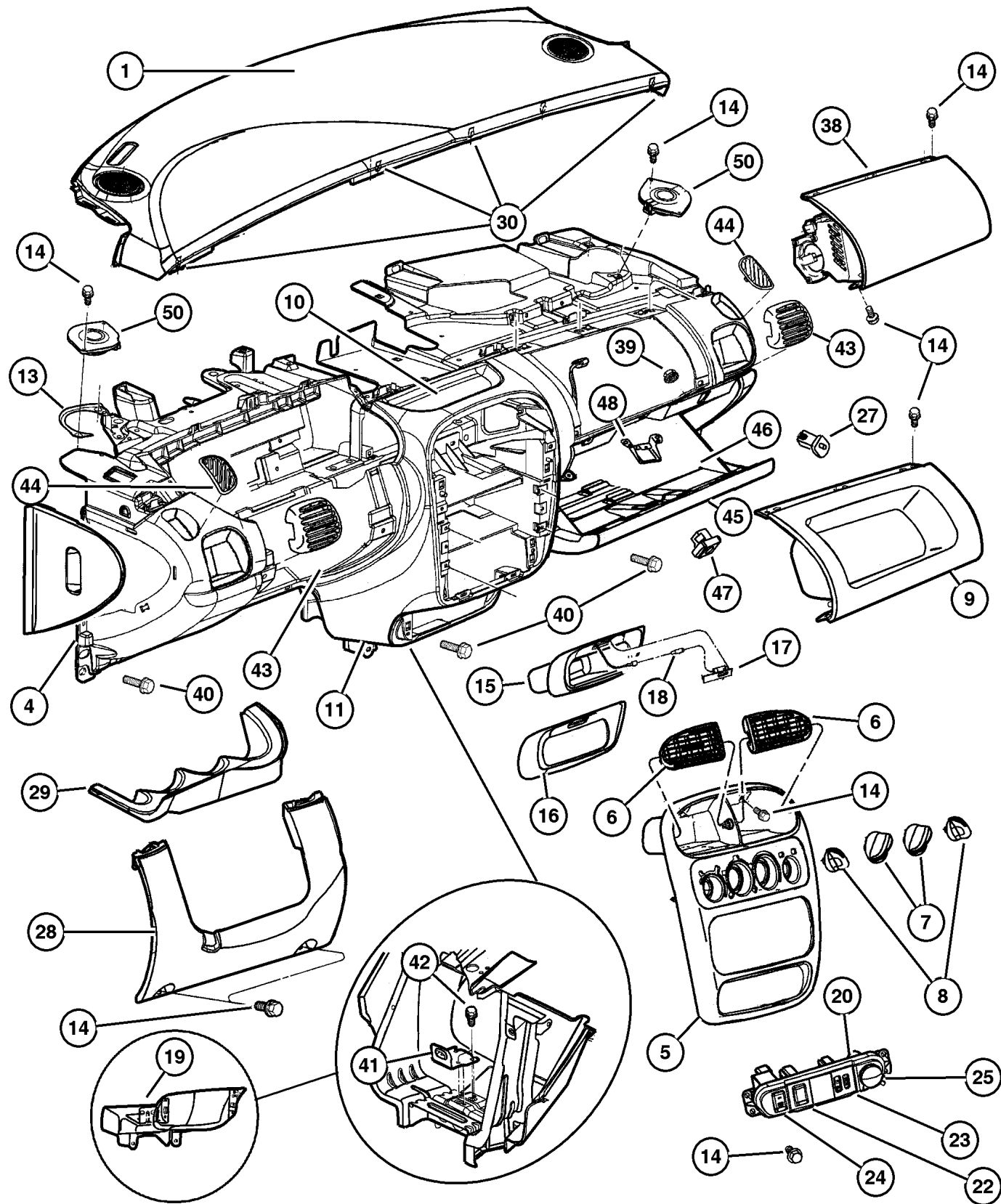


## GROUP 8A - Instrument Panel and Radios and Consoles

Illustration Title	Group-Fig. No.
<b>Instrument Panel</b>	
Instrument Panel .....	Fig. 08A-105
<b>Instrument Panel Cluster</b>	
Cluster, Instrument Panel .....	Fig. 08A-205
<b>Radio, Antenna, and Speakers</b>	
Radios .....	Fig. 08A-305
Antenna - Speakers .....	Fig. 08A-310
<b>Consoles</b>	
Console-Floor .....	Fig. 08A-405



Instrument Panel  
Figure 08A-105



ITEM	PART NUMBER	QTY	LINE	BODY	DESCRIPTION
1					COVER, Instrument Panel
	#QS64 LAZAC	1	Z		Agate
	#QS64 WL8AC	1	Z		Brown
	#QA05 LAZAE	1	D, P		Agate
	#QA05 WL8AE	1	D, P		Brown
-2					CLIP, Instrument Panel
	#6505 986AA	5	D, P		Top Cover attaching
		5	Z		Top Cover attaching
-3					SEAL, Instrument Panel
	#5291 494AA	1	D, P		I/Panel Top
		1	Z		I/Panel Top
4					END CAP, Instrument Panel
	#QN18 LAZAA	1	D, P		Agate, Right
	#QN18 WL5AA	1	D, P		Taupe, Right
	#QN19 LAZAC	1	D, P		Agate, Left
	#QN19 WL5AC	1	D, P		Taupe, Left
	#QS65 LAZAC	1	Z		Agate, Left
	#QS65 WL5AC	1	Z		Taupe, Left
	#QS66 LAZAC	1	Z		Agate, Right
	#QS66 WL5AC	1	Z		Taupe, Right
	#RR12 LAZAA	1	D, P		Agate (EUROPE), Right
	#RR12 WL5AA	1	D, P		Taupe (EUROPE), Right
5					BEZEL, Instrument Panel, Center
	#QA02 DX9AB	1	D, P		w/Air Condition (Black)
	#QS81 AAAAB	1	Z		w/Air Condition (Woodgrain)
	#QT01 DX9AB	1	D, P		w/o Air Condition (Black)
	#QT44 AAAAB	1	D, P		w/Air Condition (Woodgrain)
	#SM14 LAZAB	1	D, P		w/o Air Condition (Bronze Weave) Agate
	#SM14 WL5AB	1	D, P		w/o Air Condition (Bronze Weave) Taupe
	#SM15 LAZAB	1	Z		w/Air Condition (Bronze Weave) Agate
	#SM15 WL5AB	1	Z		w/Air Condition (Bronze Weave) Taupe
	#SM16 LAZAB	1	Z		w/o Air Condition (Bronze Weave) Agate
	#SM16 WL5AB	1	Z		w/o Air Condition (Bronze Weave) Taupe
	#SM13 LAZAD	1	D, P		W/Air Condition (Bronze Weave) Agate
	#SM13 WL5AD	1	D, P		W/Air Condition (Bronze Weave) Taupe
6					OUTLET, Air
	#QT58 DX9AB	1			Right (Black), Center Air Outlet Duct
	#QT59 DX9AB	1			Left (Black), Center Air Outlet Duct
7					KNOB, A/C Control
	#SZ13 DX9AA	2			(Black)
		1	Z		(Black)
8	#SZ14 DX9AA	1			KNOB, Blower Switch, (Black)
9					TRAY, Instrument Panel

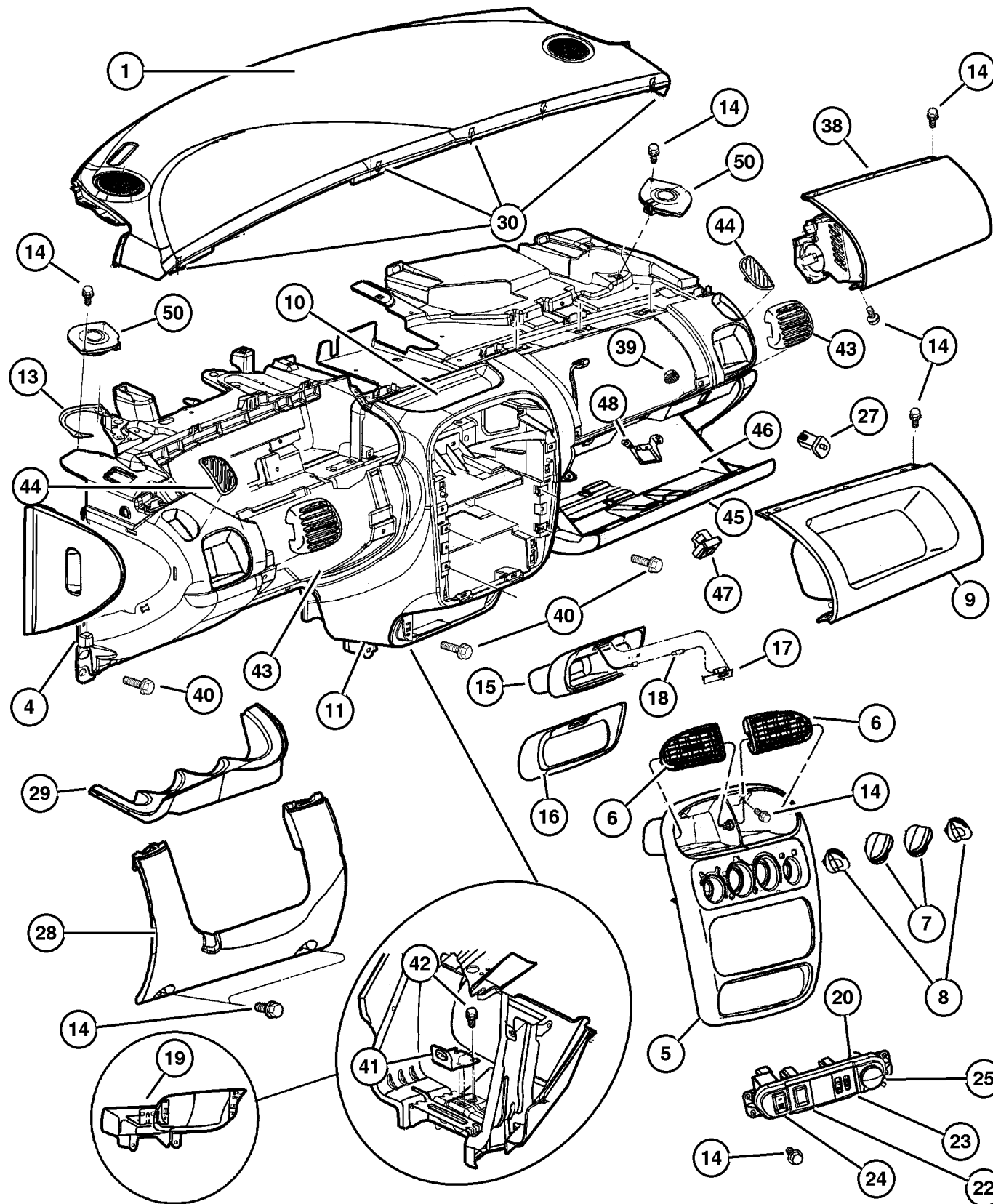
DODGE - PLYMOUTH - CHRYSLER NEON (PL)

SERIES	LINE	BODY	ENGINE	TRANSMISSION
L=Low Line	Z=RHD	41 = 4 Door, 104.0WB	ECB = 2.0L 4 Cyl. SOHC	DD5 = 5 Speed Manual
H=High Line	D= Dodge		EBD = 1.8L 4Cyl SOHC	DGC = 3 Speed Automatic
	D= Chrysler			DG0 = All Automatic
	P= Plymouth			DBB = All Manual

AR = Use as required - = Non illustrated part # = New this model year

May 3, 2002

Instrument Panel  
Figure 08A-105



ITEM	PART NUMBER	QTY	LINE	BODY	DESCRIPTION
	#SV74 LAZAA	1	D, P		Accessory (Agate)
	#SV74 WL5AA	1	D, P		Accessory (Taupe)
10	#SD63 LAZAA	1	D, P		TRAY, Instrument Panel
		1	Z		[AZ]
		1	Z		[AZ]
	#SD63 WL5AA	1	D, P		[L5]
		1	Z		[L5]
11	#TS26 LAZAA	1	Z		PANEL, Instrument
		1	Z		[AZ]
	#TS26 WL5AA	1	Z		[L5]
	#TY80 LAZAA	1	D, P		[AZ]
	#TY80 WL5AA	1	D, P		[L5]
-12					REINFORCEMENT, Instrument Panel
	#5291 249	1	D, P		
	#5291 270AA	1	Z		
13	#5291 321AA	1	D, P		BRACKET, Speaker
14	6032 723	2			SCREW, Self Tapping, M4.2x1.69x19.05
15					BIN, Instrument Panel
	#SF60 LAZAB	1			Agate
	#SF60 WL5AB	1			Taupe
16					BEZEL, Instrument Panel
	#RG93 LAZAA	1			(Agate) CD Changer
	#RG93 WL5AA	1			(Taupe) CD Changer
17	#4608 669AA	1			LAMP, Ash Receiver
18	L000 0037	1			BULB, 37, Console Flood Lamp
19	#5291 355AA	1			REINFORCEMENT, Instrument Panel, Storage Bin
20					BEZEL, Switch
	#4671 665AA	1			w/Traction Control, Rear Window Defroster & Power Outlet
	#4671 667AA	1			w/Traction Control, Rear Window Defroster, H/Lamp
					Leveling & Power Outlet
	#4671 688AA	1			w/Rear Window Defroster, w/o Traction Control & Power Outlet
-21	#4671 689AA	1			BEZEL, Headlamp Switch, w/Rear Defroster, H/Lamp
					Leveling & Power Outlet
22	#4671 672AA	1			SWITCH, Traction Control
23	#4794 276AA	1			SWITCH, Headlamp Leveling
24	#4671 670AA	1			SWITCH, Electric Back Light
25	4760 969AA	1			CAP, Cigar Lighter
-26	4793 551	1			BASE, Cigar Lighter
27	4565 022	1			SWITCH AND LAMP, Glove Box
28					COVER, Steering Column
	#QA03 LAZAB	1	D, P		Agate (w/Tilt Steering)

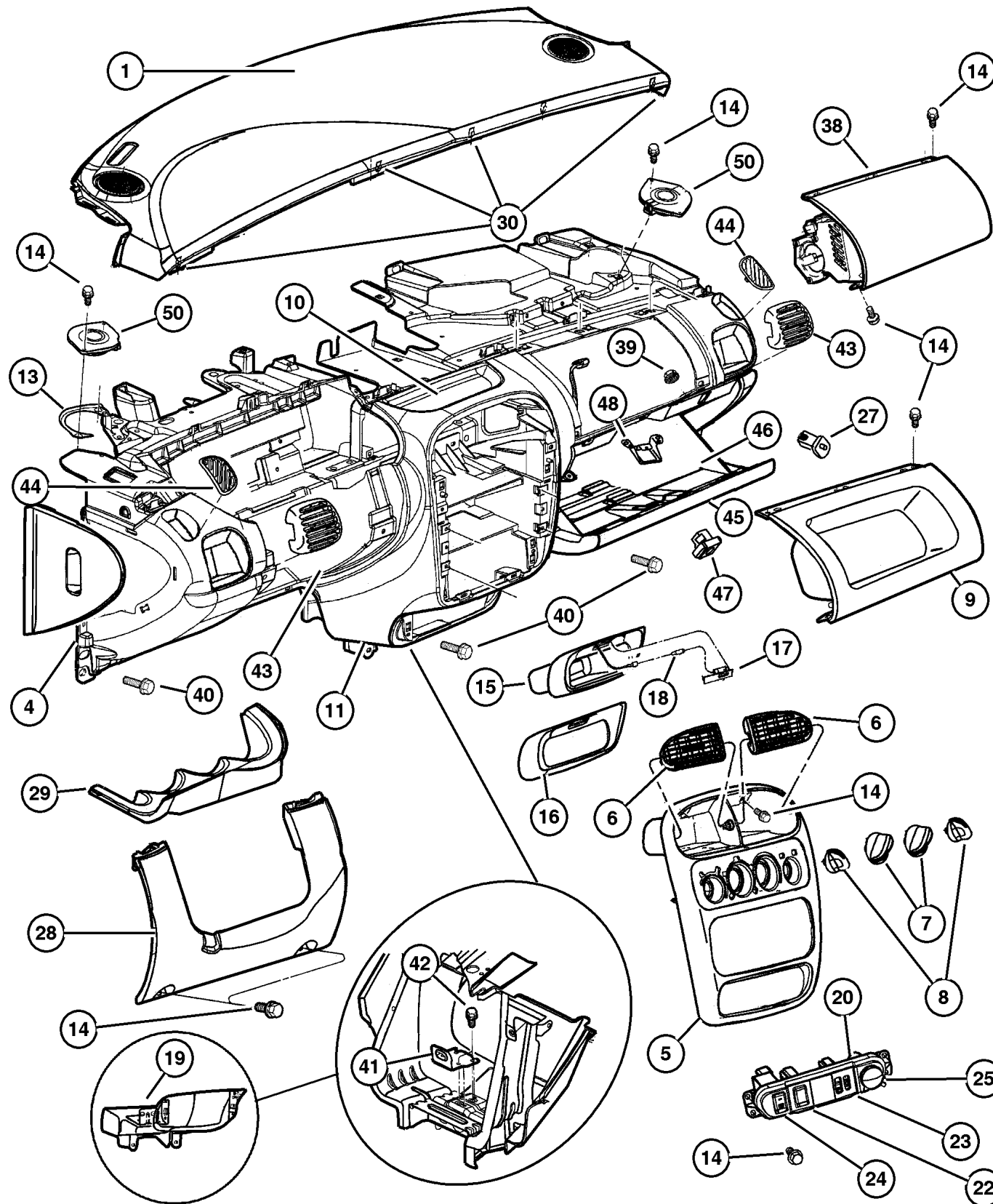
DODGE - PLYMOUTH - CHRYSLER NEON (PL)

SERIES	LINE	BODY	ENGINE	TRANSMISSION
L=Low Line	Z= RHD	41 = 4 Door, 104.0WB	ECB =2.0L 4 Cyl. SOHC	DD5 = 5 Speed Manual
H=High Line	D= Dodge		EBD = 1.8L 4Cyl SOHC	DGC = 3 Speed Automatic
	D= Chrysler			DG0 = All Automatic
	P= Plymouth			DBB = All Manual

AR = Use as required - = Non illustrated part # = New this model year

May 3, 2002

**Instrument Panel  
Figure 08A-105**



ITEM	PART NUMBER	QTY	LINE	BODY	DESCRIPTION
	#QA03 WL5AB	1	D, P		Taupe (w/Tilt Steering)
	#QM86 LAZAB	1	D, P		Agate (w/oTilt Steering)
	#QM86 WL5AB	1	D, P		Taupe (w/o Tilt Steering)
	#QS71 LAZAB	1	Z		Agate (w/Tilt Steering)
	#QS71 WL5AB	1	Z		Taupe (w/Tilt Steering)
29					BEZEL, Instrument Panel
	#QA06 1AZAB	1	D, P		(Agate), Instrument Cluster
	#QA06 1L8AB	1	D, P		(Taupe), Instrument Cluster
	#QS70 LAZAA	AR	Z		(Agate), Instrument Cluster
	#QS70 TRMAA	AR	Z		(Taupe), Instrument Cluster
	#SM13 LAZAC	1	D, P		w/Air Condition (Bronze Weave) Agate
	#SM13 WL5AC	1	D, P		w/Air Condition (Bronze Weave) Taupe
30					CLIP, Instrument Panel
	6504 664	2			CD Changer Bezel & I/panel Storage Bin Attaching
	#6505 665AA	2	D, P		Cluster Bezel/Steering Column Cover Attaching
		3	Z		Cluster Bezel/Steering Column Cover Attaching
-31	4595 823AA	1			SMOKERS KIT, Ash Receiver With Lighter
-32	4685 536	1			KNOB AND ELEMENT, Cigar Lighter, used w/ 04595823AA Kit
-33	4595 823AA	1			SMOKERS KIT, Ash Receiver With Lighter
-34	4685 370	1			KNOB AND ELEMENT, Cigar Lighter, use w/04775868AA Kit
-35	4595 665	1			ASH RECEIVER, Instrument Panel
-36					LABEL, Air Bag Warning
	4595 746AA	1	D, P		Right End Cap (English)
	4595 748AA	1			Glovebox Door
	4595 749AA	1	D, P		Glovebox Door (Bilingual)
	4787 437AA	2	D, P		Visor (5 Point English/French)
-37	#5008 012AA	1			ISOLATOR, Cowl Top
38					AIR BAG, Passenger
	#QB72 LAZAB	1	D, P		Agate
	#QB72 WL5AB	1	D, P		Taupe
	#QB74 LAZAB	1	Z		Agate
	#QB74 WL5AB	1	Z		Taupe
39	6101 446	3			NUT AND WASHER, Passenger Airbag Mounting
40	#6505 402AA	4			SCREW, Hex Head
41					BRACKET, Instrument Panel
	#5291 370AA	1	D, P		CD Changer Mounting
	#5291 443AA	1	Z		CD Changer Mounting
42					SCREW, (NOT SERVICED)
43					OUTLET, Air
	#QT56 LAZAA	2	D, P		Agate
		2	Z		Agate

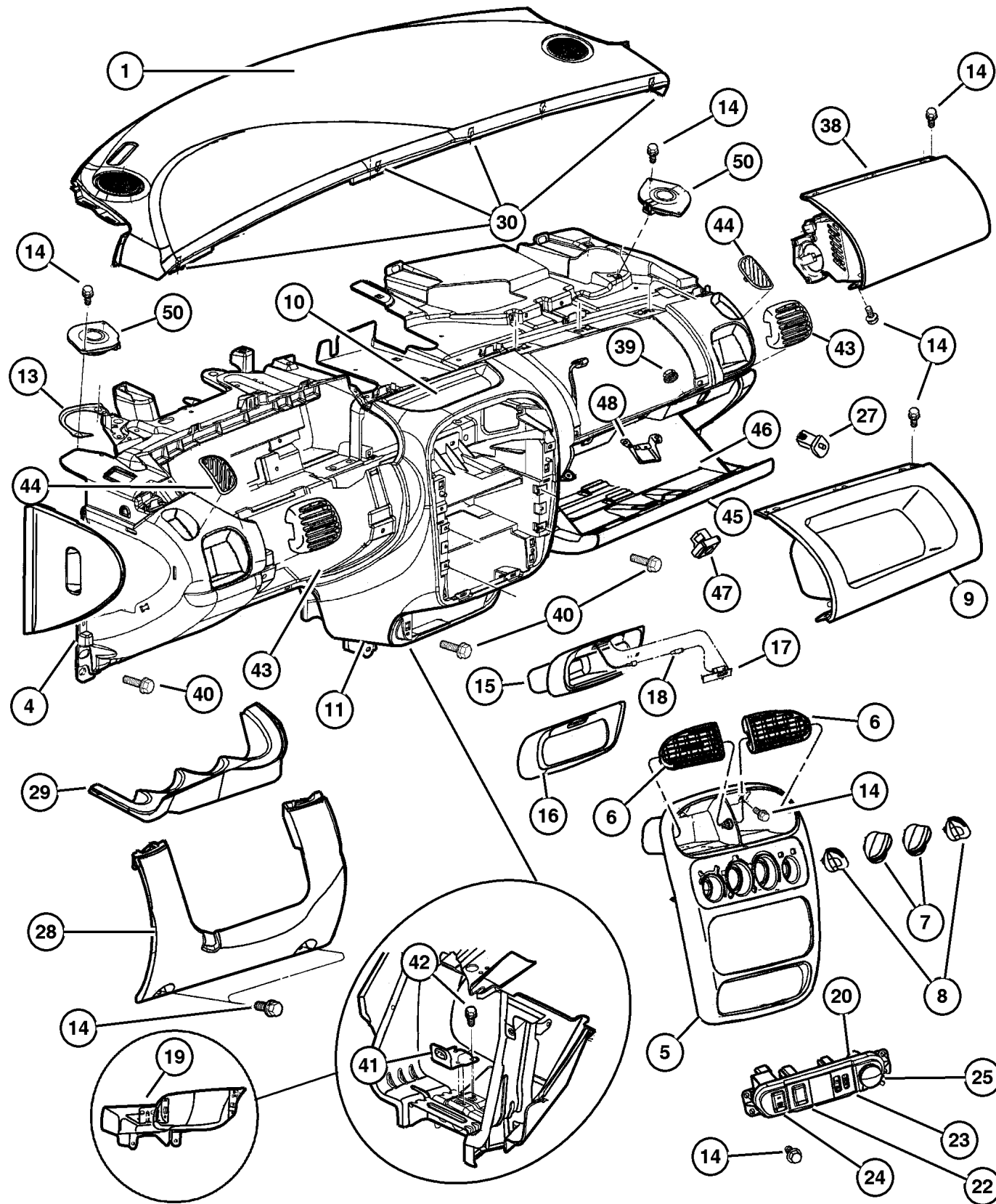
DODGE - PLYMOUTH - CHRYSLER NEON (PL)

SERIES	LINE	BODY	ENGINE	TRANSMISSION
L=Low Line	Z= RHD	41 = 4 Door, 104.0WB	ECB =2.0L 4 Cyl. SOHC	DD5 = 5 Speed Manual
H=High Line	D= Dodge		EBD = 1.8L 4Cyl SOHC	DGC = 3 Speed Automatic
	D= Chrysler			DG0 = All Automatic
	P= Plymouth			DBB = All Manual

AR = Use as required - = Non illustrated part # = New this model year

May 3, 2002

# Instrument Panel Figure 08A-105



ITEM	PART NUMBER	QTY	LINE	BODY	DESCRIPTION
	#QT56 WL5AA	2	D, P		Taupe
		2	Z		Taupe
44					GRILLE, Demister
	#RB23 LAZAA	1	D, P		Agate, Left
	#RB23 WL5AA	1	D, P		Taupe, Left
	#RB24 LAZAA	1	D, P		Agate, Right
	#RB24 WL5AA	1	D, P		Taupe, Right
	#RC58 LAZAA	1	Z		Agate, Right
	#RC58 WL5AA	1	Z		Taupe, Right
	#RC59 LAZAA	1	Z		Agate, Left
	#RC59 WL5AA	1	Z		Taupe, Left
45					GLOVE BOX, Instrument Panel
	#RB27 LAZAA	1	D, P		Agate
	#RB27 WL5AA	1	D, P		Taupe
	#QS69 LAZAA	1	Z		Agate
	#QS69 WL5AA	1	Z		Taupe
46	#5291 305AA	1	Z		BIN, Glove box
47					LATCH, Glovebox
	P894 LAZ	1	Z		Agate
		1	D, P		Agate
	P894 WL5	1	Z		Taupe
		1	D, P		Taupe
48					STRIKER, Glove Box Door Latch
	#5291 341AA	1	D, P		
		1	Z		
-49					BUMPER, Glove Box Door
	5291 051	2	D, P		I/Panel Glovebox Door
		2	Z		I/Panel Glovebox Door
	5291 369AA	1	D, P		I/Panel Glovebox Striker
		1	Z		I/Panel Glovebox Striker
50	#4793 608	2			SPEAKER, Instrument Panel, 1' Dome
-51					MOLDING, instrument panel
	#5291 487AA	4	D, P		Top Cover to 'A' Pillar
		4	Z		Top Cover to 'A' Pillar
-52	#4759 008AC	2			TRANSMITTER, Keyless Entry

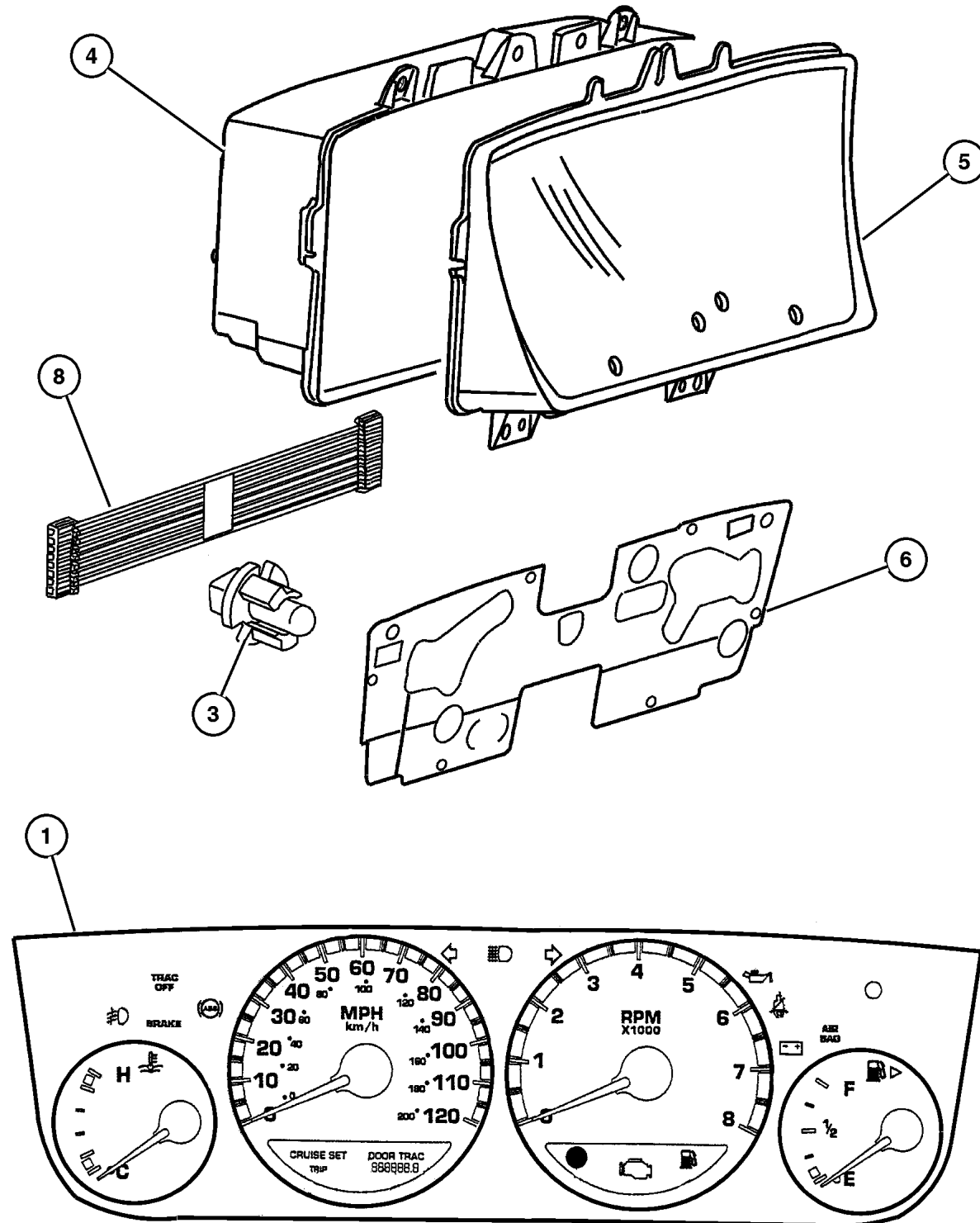
**DODGE - PLYMOUTH - CHRYSLER NEON (PL)**

SERIES	LINE	BODY	ENGINE	TRANSMISSION
L=Low Line	Z= RHD	41 = 4 Door, 104.0WB	ECB =2.0L 4 Cyl. SOHC	DD5 = 5 Speed Manual
H=High Line	D= Dodge		EBD = 1.8L 4Cyl SOHC	DGC = 3 Speed Automatic
	D= Chrysler			DG0 = All Automatic
	P= Plymouth			DBB = All Manual

AR = Use as required - = Non illustrated part # = New this model year

May 3, 2002

Cluster, Instrument Panel  
Figure 08A-205



ITEM	PART NUMBER	QTY	LINE	BODY	DESCRIPTION
1					CLUSTER
	#4793 519AF	1	D, P		120 MPH
	#4793 520AF	1			240 KPH
	#4793 521AF	1	D, P		120 MPH w/Tach
	#4793 523AF	1			240 KPH w/Tach
	#4793 767AF	1	Z		140 MPH w/Tach
	#4793 768AF	1	Z		240 KPH w/Tach
-2	6032 723	4			SCREW, Self Tapping, M4.2x1.69x19.05
3					SOCKET
	#5015 235AA	1			.75' Twist Type (Green), Instrument Cluster
	#5015 236AA	1			.75' Twist Type (Amber), Instrument Cluster
	#5015 237AA	1			.75' Twist Type (Red), Instrument Cluster
4					HOUSING, Instrument Cluster
	#5015 325AA	1			w/o Tach
	#5015 330AA	1			w/Tach
5	#5015 331AA	1			MASK AND LENS, Instrument Cluster
6					COVER, Instrument Cluster
	#5015 332AA	1			w/o Tach
	#5015 333AA	1			w/Tach
-7	#5015 334AA	1			GAUGE, Odometer
8	#5015 336AA	1			CABLE, Odometer

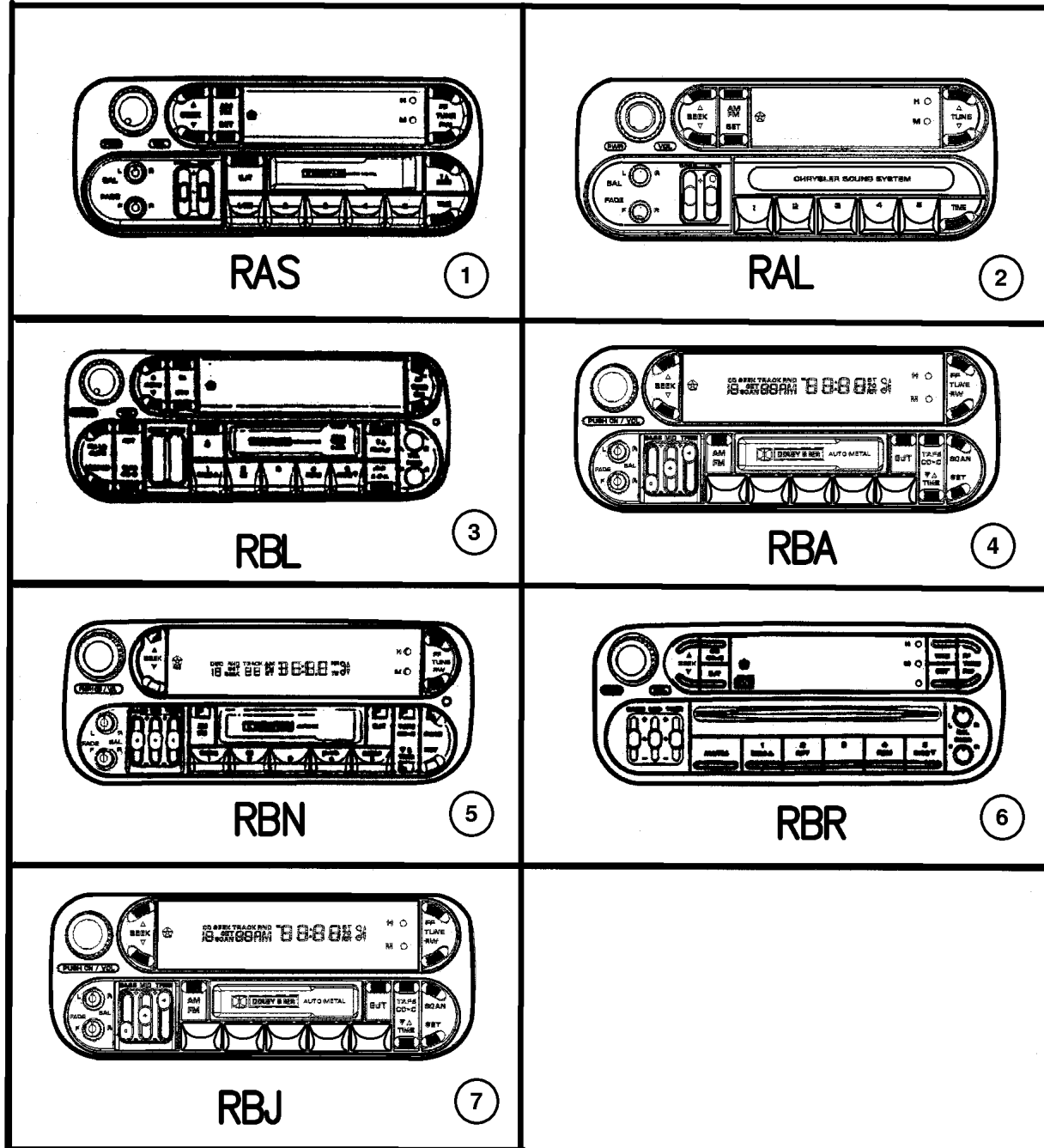
DODGE - PLYMOUTH - CHRYSLER NEON (PL)  
 SERIES LINE BODY ENGINE TRANSMISSION  
 L=Low Line Z=RHD 41 = 4 Door, 104.0WB ECB =2.0L 4 Cyl. SOHC DD5 = 5 Speed Manual  
 H=High Line D= Dodge EBD = 1.8L 4Cyl SOHC DGC = 3 Speed Automatic  
 P= Plymouth DBB = All Manual

AR = Use as required - = Non illustrated part # = New this model year

May 3, 2002

## Radios Figure 08A-305

ITEM	PART NUMBER	QTY	LINE	BODY	DESCRIPTION
RAS=RADIO - AM/FM CASSETTE manual, 12 Disc Magazine.					
RAL=RADIO - AM/FM manual, 12 Disc Magazine.					
NOTE: for warranty replacement for the CD changer order on function 11 (Z04858522AF) manual, 12 Disc Magazine.					
RBL=RADIO-AM/FM/MW/LW/RDS CASS/CHGR CTRL manual, 12 Disc Magazine.					
RBA=RADIO - AM/FM CASS, CHANGER CONTROLS manual, 12 Disc Magazine.					
RBN=RADIO - AM/FM CASSETTE, CHANGER CTRL manual, 12 Disc Magazine.					
RBR=RADIO - AM/FM COMPACT DISC manual, 12 Disc Magazine.					
RBJ=RADIO - AM/FM CASS, CHANGER CONTROLS manual, 12 Disc Magazine.					
1	56038 931AB	1	D, P	41	RADIO, AM/FM Cassette, Sales Code ( RAS)
2	#4858 588AB	1	D, P	41	RADIO, AM/FM Stereo, Sales Code ( RAL)
3	#4858 513AH	1			RADIO, AM/FM/Cassette With CD Control, Sales Code ( RBL) (EXPORT)
4	#4858 516AD	1			RADIO, AM/FM/Cassette With CD Control, Sales Code ( RBA, (EXPORT)
5	4858 584AG	1	D, P	41	RADIO, AM/FM Cassette with CD Control, Sales Code ( RBN)
6	4858 585AF	1	D, P	41	RADIO, AM/FM with CD and Equalizer, Sales Code ( RBR)
7	#4858 514AD	1	Z		RADIO, AM/FM/Cassette With CD Control, Sales Code ( RBJ)
-8	#8220 5811	1			PLAYER PACKAGE, CD Changer - 4 Disc



### DODGE - PLYMOUTH - CHRYSLER NEON (PL)

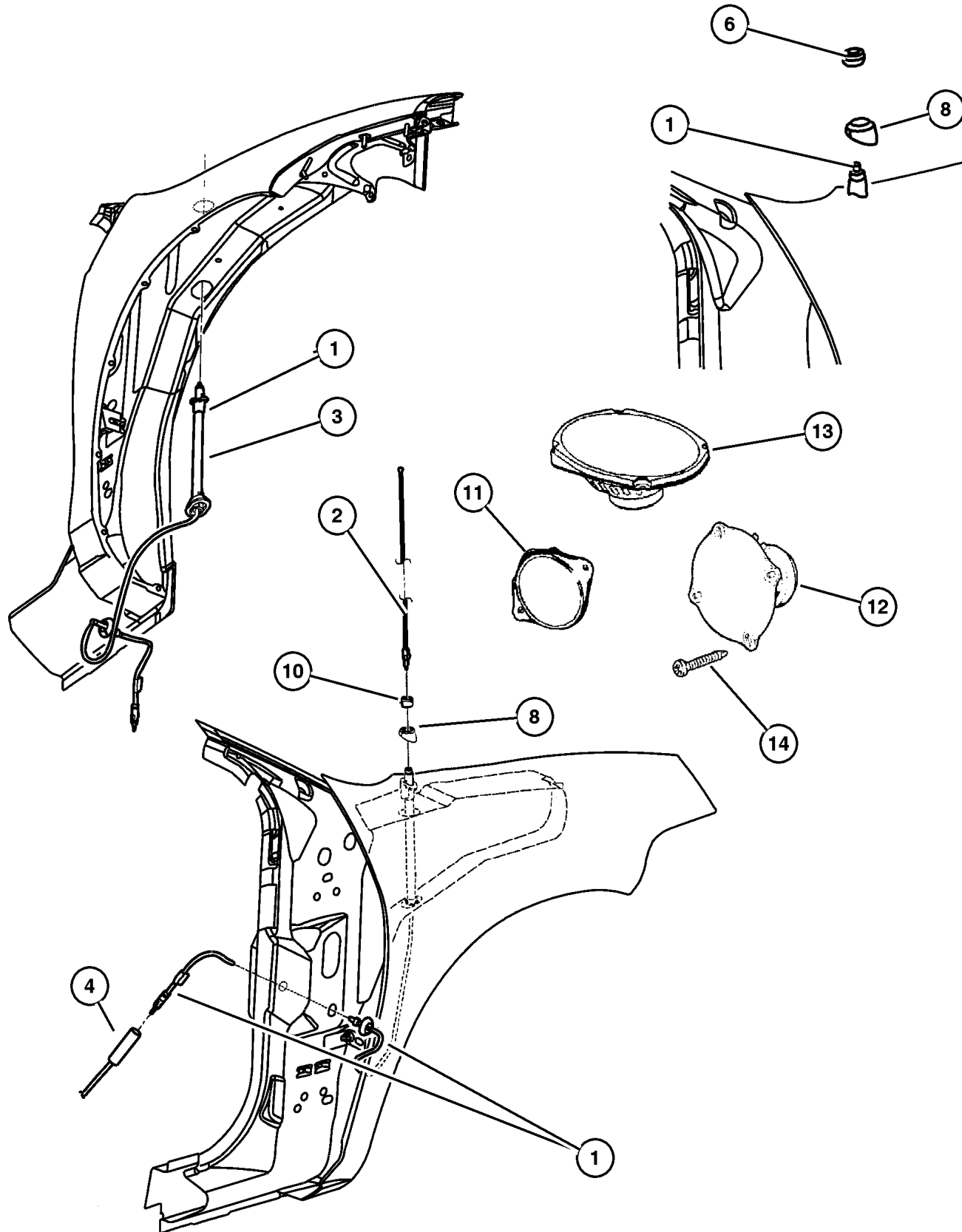
SERIES	LINE	BODY	ENGINE	TRANSMISSION
L=Low Line	Z= RHD	41 = 4 Door, 104.0WB	ECB =2.0L 4 Cyl. SOHC	DD5 = 5 Speed Manual
H=High Line	D= Dodge		EBD = 1.8L 4Cyl SOHC	DGC = 3 Speed Automatic
	D= Chrysler			DG0 = All Automatic
	P= Plymouth			DBB = All Manual

AR = Use as required - = Non illustrated part # = New this model year

May 3, 2002

Antenna - Speakers  
Figure 08A-310

ITEM	PART NUMBER	QTY	LINE	BODY	DESCRIPTION
1					ANTENNA
	#4793 961AA	1	D, P		Collapsable, Export
	#4794 192AA	1	Z		Collapsable, Export, Right Hand Drive
2	#4794 176AA	1	D, P		MAST, Antenna, Fluted, Domestic
3	#4794 136AA	1	D, P		BODY AND CABLE, Antenna, Domestic
4	#5269 216AC	1			CABLE, Antenna Extension
-5					STRAP, Ground
	#4794 263AA	1			Exhaust to Body
	#4794 264AC	1			Strut to Frame, Right
	#4794 265AB	1			Strut to Frame, Left
	#4794 269AB	1			Engine to Body
6	#4793 964AB	1			CAP NUT, Antenna, Export
-7	4685 498	1			SHROUD, Antenna Cap Nut, Export
8					ADAPTER, Antenna
	#4793 963AA	1	D, P		Domestic
	#4794 193AA	1	Z		Export
-9	2860 332	1			PLUG, Anti-Rattle
10	5600 7570	1	D, P		NUT, M6x1, Antenna
11	#4793 608	2			SPEAKER, Instrument Panel
12					SPEAKER, Front Door
	#4794 030AA	1			Right
	#4794 031AA	1			Left
13	#4793 613	2			SPEAKER, Rear, 6x9
14	6032 723	4			SCREW, Self Tapping, M4.2x1.69x19.05
-15	4793 117	1			CAPACITOR, Radio Noise Suppression



DODGE - PLYMOUTH - CHRYSLER NEON (PL)

SERIES	LINE	BODY	ENGINE	TRANSMISSION
L=Low Line	Z= RHD	41 = 4 Door, 104.0WB	ECB =2.0L 4 Cyl. SOHC	DD5 = 5 Speed Manual
H=High Line	D= Dodge		EBD = 1.8L 4Cyl SOHC	DGC = 3 Speed Automatic
	D= Chrysler			DG0 = All Automatic
	P= Plymouth			DBB = All Manual

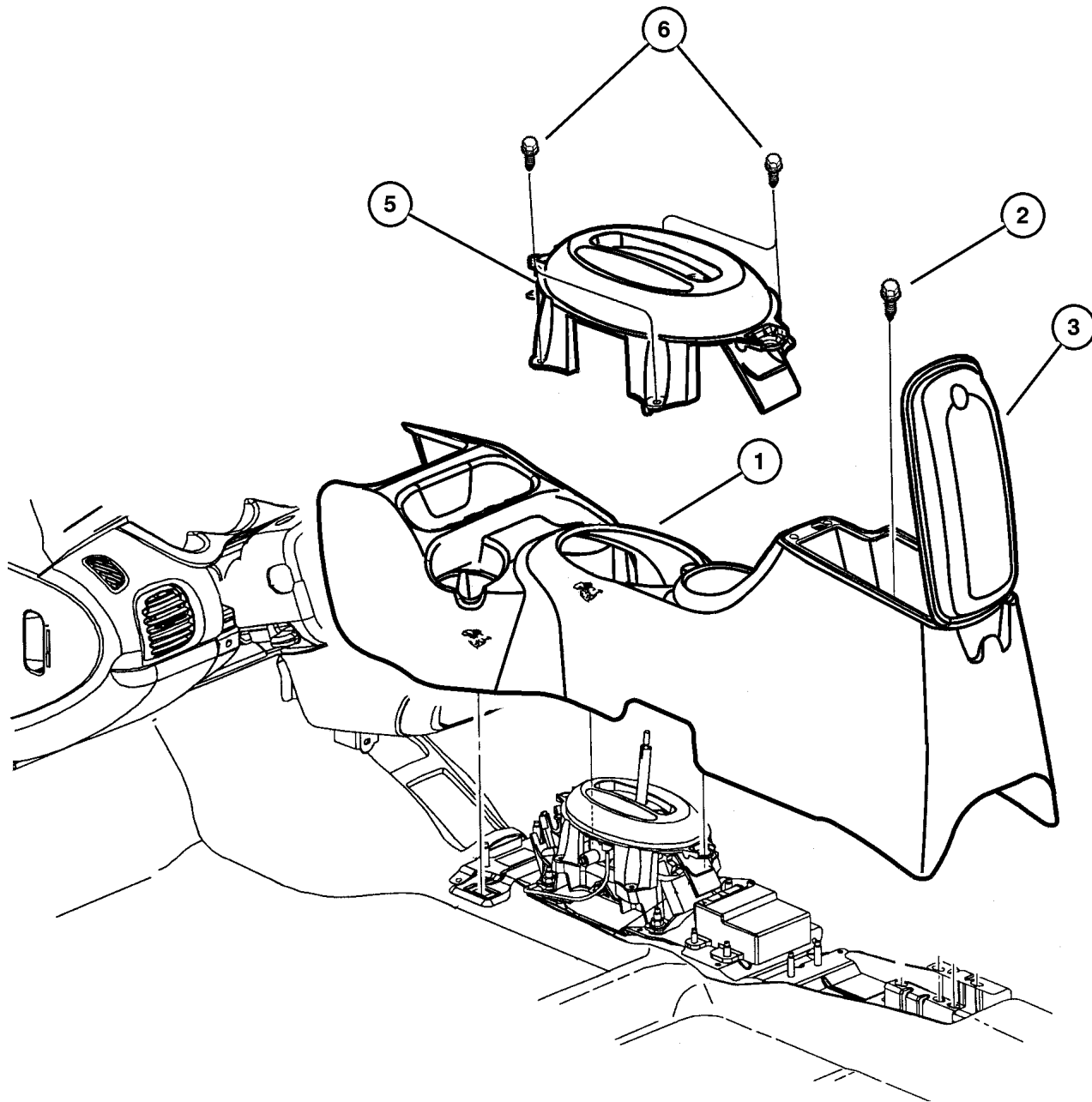
AR = Use as required - = Non illustrated part # = New this model year

May 3, 2002



Console-Floor  
Figure 08A-405

ITEM	PART NUMBER	QTY	LINE	BODY	DESCRIPTION
1					BASE, Floor Console
	#RZ92 1AZAA	1			Agate
	#RZ92 1L5AA	1			Taupe
2	6032 723	4			SCREW, Self Tapping, M4.2x1.69x19.05, Console Attaching
3					ARMREST, Console
	#RZ75 1AZAA	1			Agate (C7, B7, K7)
	#RZ75 1L5AA	1			Taupe (C7, B7, K7)
	#SL47 1L5AA	1			Taupe (CL)
-4	4665 361	2			BUMPER, Armrest Lid
5					BEZEL, Console PRNDL
	#4671 417AC	1	D, P		Black
	#SV44 LAZAB	1	D, P		Agate
	#SV44 WL5AB	1	D, P		Taupe
	#SV45 LAZAB	1	Z		Agate
	#SV45 WL5AB	1	Z		Taupe
	#SV46 AAAAB	1	D, P		Woodgrain, BUX
	#SV47 AAAAB	1	Z		Woodgrain
6					SCREW, Tapping, M5x1.81x15, (NOT SERVICED)
-7	L000 0194	1			BULB, 194, PRNDL Shifter
-8	4595 823AA	1			SMOKERS KIT, Ash Receiver With Lighter
-9	4685 536	1			KNOB AND ELEMENT, Cigar Lighter



DODGE - PLYMOUTH - CHRYSLER NEON (PL)

SERIES	LINE	BODY	ENGINE	TRANSMISSION
L=Low Line	Z= RHD	41 = 4 Door, 104.0WB	ECB =2.0L 4 Cyl. SOHC	DD5 = 5 Speed Manual
H=High Line	D= Dodge		EBD = 1.8L 4Cyl SOHC	DGC = 3 Speed Automatic
	D= Chrysler			DG0 = All Automatic
	P= Plymouth			DBB = All Manual

AR = Use as required - = Non illustrated part # = New this model year

May 3, 2002

# Group – 009

## Engine Mounting

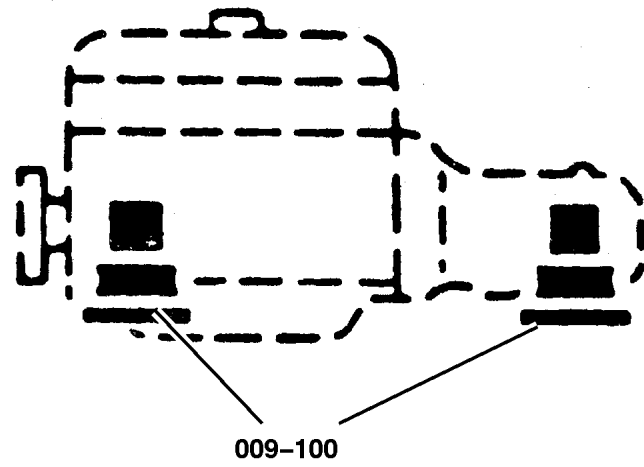
### GROUP 9 - Engine Mounting

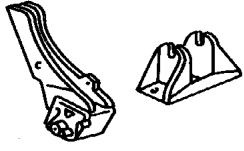
Illustration Title

Group-Fig. No.

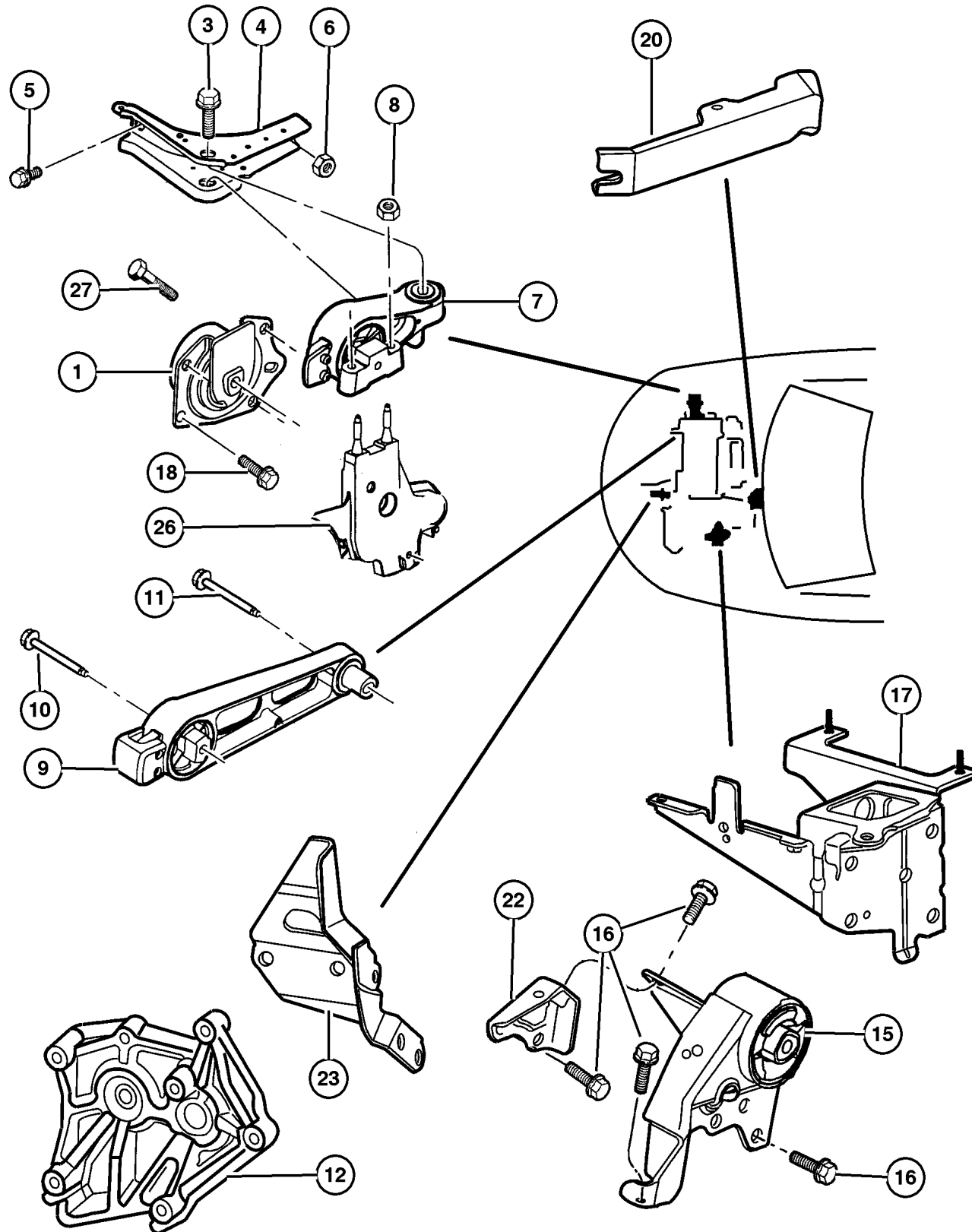
#### Engine Mounting

Engine Mounting [EBD],[ECB] ..... Fig. 009-110



<p><b>009-100</b> Engine Mounting</p> 			
---	--	--	--

**Engine Mounting [EBD],[ECB]  
Figure 009-110**



ITEM	PART NUMBER	QTY	LINE	ENGINE	TRANS	DESCRIPTION
NOTE: Sales Codes manual, 12 Disc Magazine.						
[DD5]=5 Speed Manual Trans manual, 12 Disc Magazine.						
[DGC]=Auto Trans. manual, 12 Disc Magazine.						
[EBD]=1.8L Engine. manual, 12 Disc Magazine.						
[ECB]=2.0L Engine. manual, 12 Disc Magazine.						
1	#4668 192	1		EBD, ECB		SUPPORT, Engine Mount
-2	4668 270AB	1		EBD, ECB		COLLAR, Structural, Oil Pan To Transmission
3	#4668 263	1				BRACKET, Torque Reaction
4	#6505 091AA	1				BOLT
5	#6101 099	1				BOLT
6	6501 247	1				NUT, M12x1.75
7	#4668 193AB	1			DGC	ISOLATOR, Engine Mount Upper, Automatic Transmission
	#4668 346AC	1			DD5	Upper, Manual Transmission
8	6502 696	2				NUT, Hex Flange Lock, M10x1.5
9	#4668 195	1			DGC	ISOLATOR, Transmission Mount
	#4668 347AC	1			DD5	
10	#6505 090AA	1				BOLT
11	#6505 092AA	1				BOLT
12	#4668 194	1		EBD, ECB		BRACKET, Torque Reaction
-13	6101 512	4		EBD, ECB		SCREW AND WASHER, Hex Head, M10x1.5x45
-14	6101 864	1		EBD, ECB		SCREW, M10x1.5x35
15	#4668 527AB	1			DGC	SUPPORT, Engine Mount
	#4668 530AA	1		EBD, ECB	DD5	
16	6101 524	4			DD5	BOLT AND WASHER, Hex Head, M10x1.5x30
		5			DGC	
17	#4668 526AB	1		EBD, ECB		SUPPORT, Engine Mount
18	#6102 067AA	4				BOLT
-19	6101 445	1				NUT AND WASHER, Hex Nut-Coned Washer, M8 x 1.25
20	4668 118AC	1			DGC	STRUT, Engine

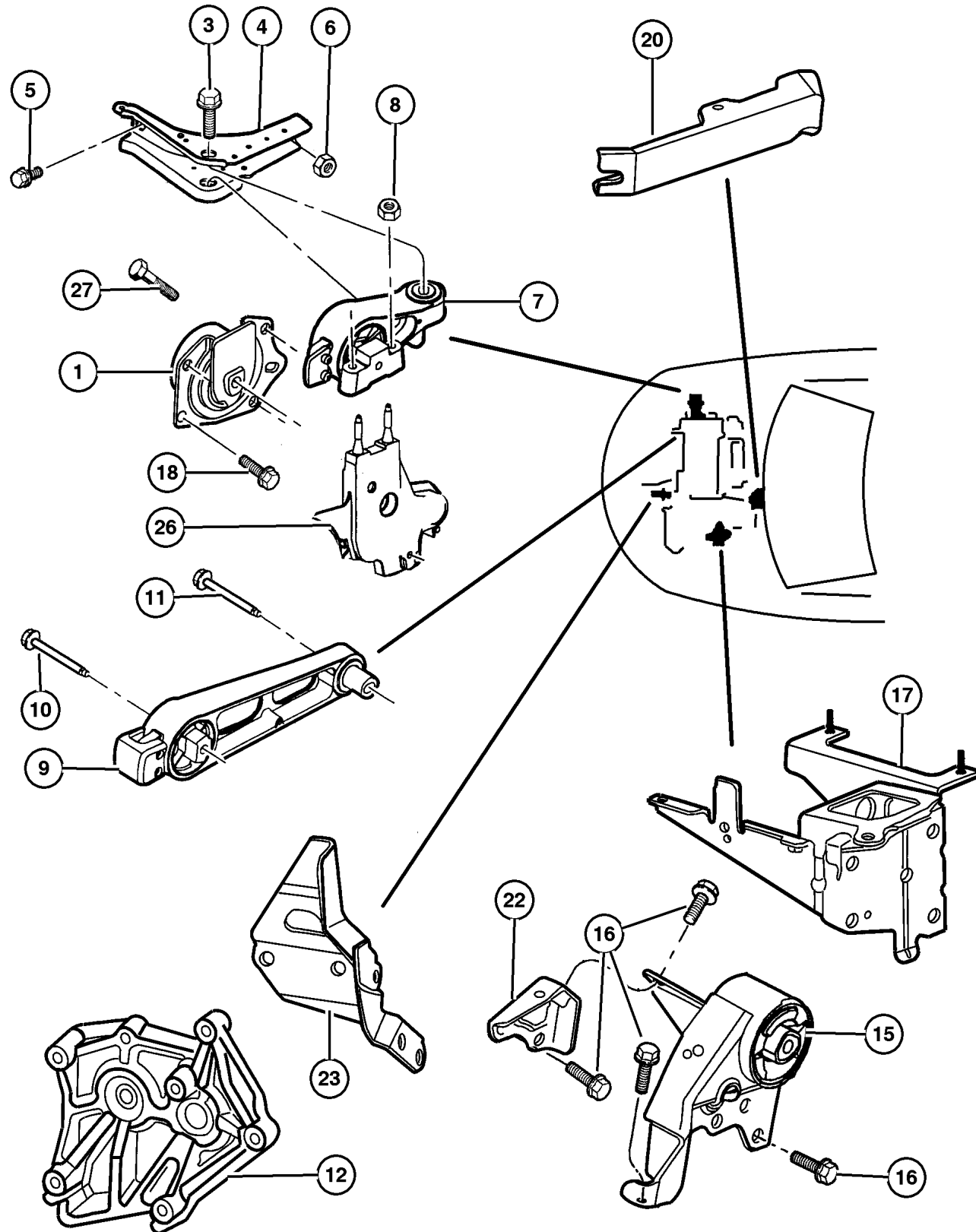
**DODGE - PLYMOUTH - CHRYSLER NEON (PL)**

SERIES	LINE	BODY	ENGINE	TRANSMISSION
L=Low Line	Z= RHD	41 = 4 Door, 104.0WB	ECB =2.0L 4 Cyl. SOHC	DD5 = 5 Speed Manual
H=High Line	D= Dodge		EBD = 1.8L 4Cyl SOHC	DGC = 3 Speed Automatic
	D= Chrysler			DG0 = All Automatic
	P= Plymouth			DBB = All Manual

AR = Use as required - = Non illustrated part # = New this model year

May 3, 2002

**Engine Mounting [EBD],[ECB]  
Figure 009-110**



ITEM	PART NUMBER	QTY	LINE	ENGINE	TRANS	DESCRIPTION
	4668 176AC	1		EBD, ECB	DD5	
-21	6505 282AA	1		EBD, ECB	DGC	BOLT m12x1.75x30.00
	6505 283AA	2		EBD, ECB	DD5	m10x1.50x25.00
		1		EBD, ECB	DGC	m10x1.50x25.00
22	#4668 540AA	1			DGC	BRACKET, Transmission Mount
23	#4668 348AA	1	Z		DGC	STRUT, Engine
		1	D, P	EBD, ECB		
-24						SCREW AND WASHER, Hex Head, M10x1.5x25
	6101 503	2	Z		DGC	
		2	D, P	EBD, ECB		
		1	Z	EBD, ECB	DD5	
-25						SCREW AND WASHER, Hex Head, M12x1.75x60
	6502 887	2	Z		DGC	
		1	Z		DD5	
		2	D, P	EBD, ECB		
26	#4668 364AA	1		ECB		TENSIONER AND BRACKET, Engine Mount
27	#6505 148AA	1				SCREW, M12-1.75x80

**DODGE - PLYMOUTH - CHRYSLER NEON (PL)**

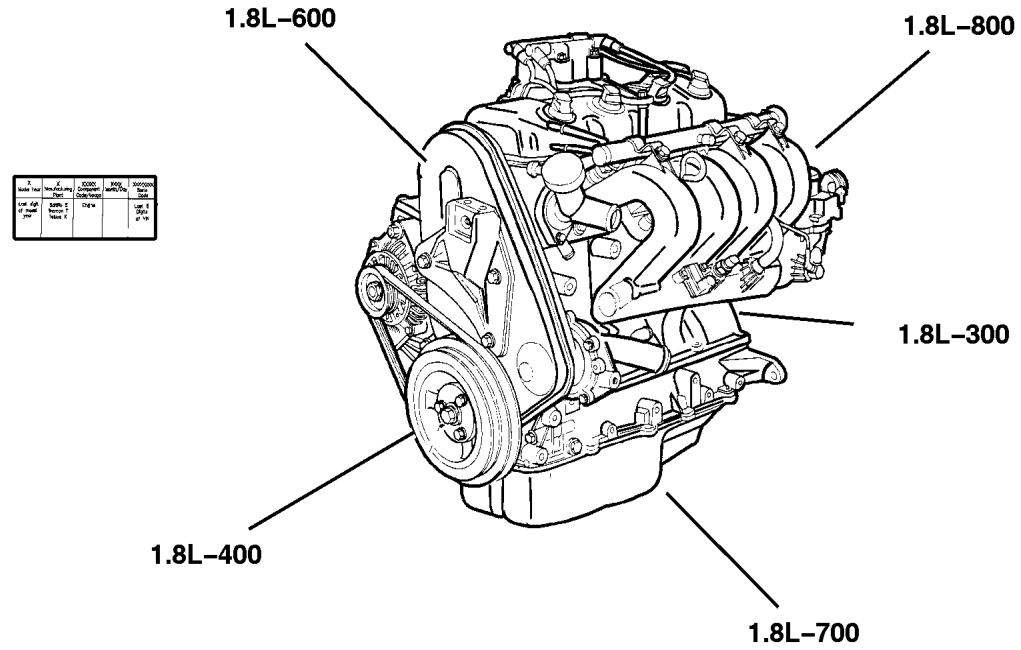
SERIES	LINE	BODY	ENGINE	TRANSMISSION
L=Low Line	Z= RHD	41 = 4 Door, 104.0WB	ECB =2.0L 4 Cyl. SOHC	DD5 = 5 Speed Manual
H=High Line	D= Dodge		EBD = 1.8L 4Cyl SOHC	DGC = 3 Speed Automatic
	P= Plymouth			DG0 = All Automatic
				DBB = All Manual

AR = Use as required - = Non illustrated part # = New this model year

May 3, 2002

# Group – 1.8L

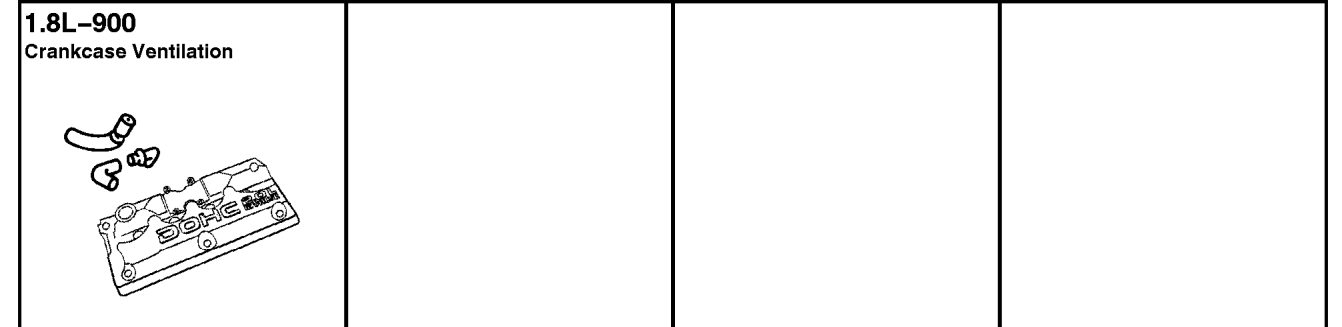
## Engine 1.8L Four Cylinder



1	2	3	4	5	6
Year	Model	Plant	Component	Month/Day	Serial
XXXX	XXXX	XXXX	XXXX	XXXX	XXXXXX
Year	Model	Plant	Component	Month/Day	Serial
XXXX	XXXX	XXXX	XXXX	XXXX	XXXXXX

# Group – 1.8L

## Engine 1.8L Four Cylinder



<p><b>1.8L-100</b> Engine Identification</p> <table border="1"> <tr> <td>X</td> <td>X</td> <td>XXXX</td> <td>XXXX</td> <td>XXXXXXXX</td> </tr> <tr> <td>Model Year</td> <td>Manufacturing Plant</td> <td>Component Code/Lease</td> <td>Month/Day</td> <td>Serial Code</td> </tr> <tr> <td>Last digit of model year</td> <td>Sallilo S Trenton T Tokyo K</td> <td>Engine</td> <td></td> <td>Last 8 Digits of VIN</td> </tr> </table>	X	X	XXXX	XXXX	XXXXXXXX	Model Year	Manufacturing Plant	Component Code/Lease	Month/Day	Serial Code	Last digit of model year	Sallilo S Trenton T Tokyo K	Engine		Last 8 Digits of VIN	<p><b>1.8L-200</b> Cylinder Head</p>	<p><b>1.8L-300</b> Cylinder Block</p>	<p><b>1.8L-400</b> Crankshaft, Piston and Drive Plate</p>
X	X	XXXX	XXXX	XXXXXXXX														
Model Year	Manufacturing Plant	Component Code/Lease	Month/Day	Serial Code														
Last digit of model year	Sallilo S Trenton T Tokyo K	Engine		Last 8 Digits of VIN														
<p><b>1.8L-500</b> Camshafts &amp; Valve</p>	<p><b>1.8L-600</b> Timing Belt and Cover</p>	<p><b>1.8L-700</b> Engine Oiling</p>	<p><b>1.8L-800</b> Manifolds</p>															

---

## GROUP 1.8L - Engine 1.8L Four Cylinder

Illustration Title	Group-Fig. No.
<b>Engine Identification</b>	
I.D. Location 1.8L (EBD) .....	Fig. 1.8L-113
<b>Cylinder Head</b>	
Cylinder Head 1.8L (EBD) .....	Fig. 1.8L-213
<b>Cylinder Block</b>	
Cylinder Block 1.8L (EBD) .....	Fig. 1.8L-313
<b>Crankshaft, Piston and Drive Plate</b>	
Crankshaft, Piston, and Driveplate 1.8L (EBD) .....	Fig. 1.8L-413
<b>Camshafts &amp; Valve</b>	
Camshaft and Valves 1.8L (EBD) .....	Fig. 1.8L-513
<b>Timing Belt and Cover</b>	
Timing Belt and Cover 1.8L (EBD) .....	Fig. 1.8L-613
<b>Engine Oiling</b>	
Engine Oiling 1.8L (EBD) .....	Fig. 1.8L-713
<b>Manifolds</b>	
Manifolds 1.8L (EBD) .....	Fig. 1.8L-813
<b>Crankcase Ventilation</b>	
Crankcase Ventilation 1.8L (EBD) .....	Fig. 1.8L-913

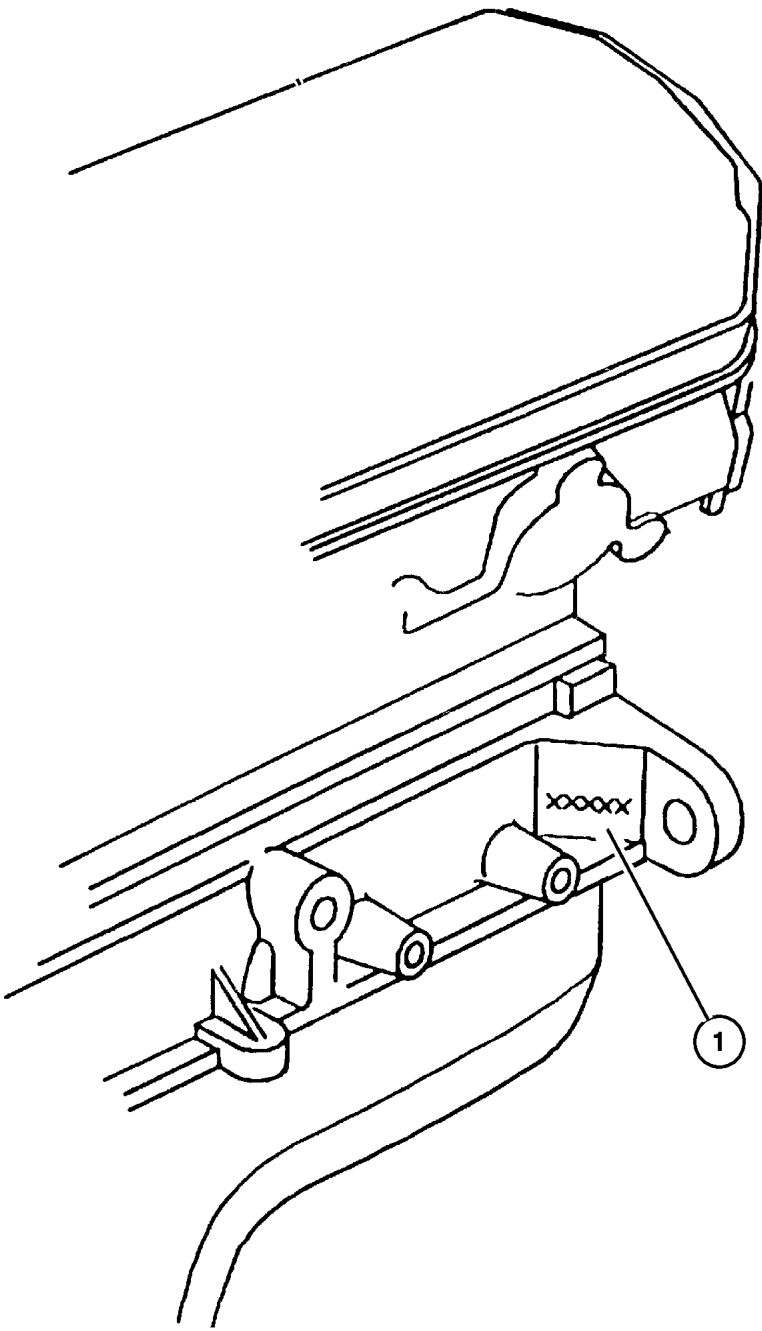


**I.D. Location 1.8L (EBD)  
Figure 1.8L-113**

ITEM	PART NUMBER	QTY	LINE	ENGINE	TRANS	DESCRIPTION
------	-------------	-----	------	--------	-------	-------------

NOTE: Sales Code manual, 12 Disc Magazine.  
[EBD]=1.8L Engine. manual, 12 Disc Magazine.

1						LABEL, Engine Identification, (NOT SERVICED)
---	--	--	--	--	--	--

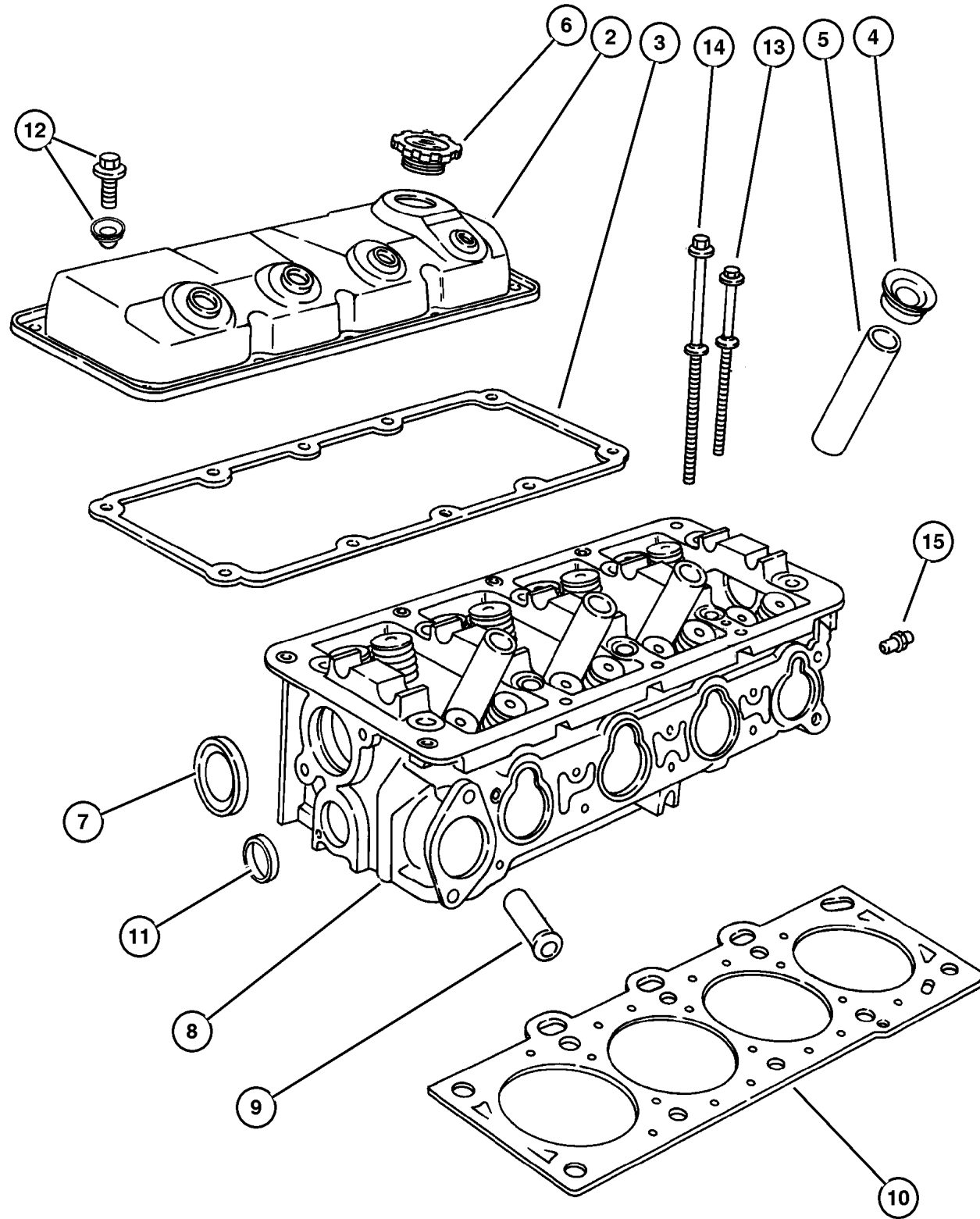


<b>DODGE - PLYMOUTH - CHRYSLER NEON (PL)</b>				
SERIES	LINE	BODY	ENGINE	TRANSMISSION
L=Low Line	Z= RHD	41 = 4 Door, 104.0WB	ECB =2.0L 4 Cyl. SOHC	DD5 = 5 Speed Manual
H=High Line	D= Dodge		EBD = 1.8L 4Cyl SOHC	DGC = 3 Speed Automatic
	D= Chrysler			DG0 = All Automatic
	P= Plymouth			DBB = All Manuall

AR = Use as required - = Non illustrated part # = New this model year

May 3, 2002

**Cylinder Head 1.8L (EBD)  
Figure 1.8L-213**



ITEM	PART NUMBER	QTY	LINE	ENGINE	TRANS	DESCRIPTION
NOTE: Sales Code manual, 12 Disc Magazine.						
[EBD]=1.8L Engine. manual, 12 Disc Magazine.						
-1	5014 556AA	1		EBD		GASKET PACKAGE, Engine Upper
2	#4777 622AA	1		EBD		COVER, Cylinder Head
3	4777 626AA	1		EBD		GASKET, Cylinder Cover
4	4777 042AB	4		EBD		SEAL, Spark Plug Tube
5	4648 604	4		EBD		TUBE, Spark Plug
6	4777 536	1		EBD		CAP, Oil Filler
7	4777 086	1		EBD		SEAL, Camshaft
8	4667 993	1		EBD		HEAD, Cylinder
9	4621 653	1		EBD		NIPPLE, Heater Return
10	5014 127AA	1		EBD		GASKET PACKAGE, Cylinder Head
11	4556 020	2		EBD		PLUG, Core, 1.25 Diameter
12	#4777 625AA	10		EBD		ISOLATOR, Cylinder Head Cover, Grommet And Bolt
13	6503 561	4		EBD		BOLT, Cylinder Head
14	6503 562	6		EBD		BOLT, Cylinder Head
15	4323 808	1		EBD		RESTRICTOR, Cylinder Head Oil
-16	4591 227	1		EBD		COVER, EGR Port
-17	4663 247	1		EBD		GASKET, EGR Valve
-18	6501 648	2		EBD		SCREW, Hex Flange Head, M8x1.25x25.00

**DODGE - PLYMOUTH - CHRYSLER NEON (PL)**

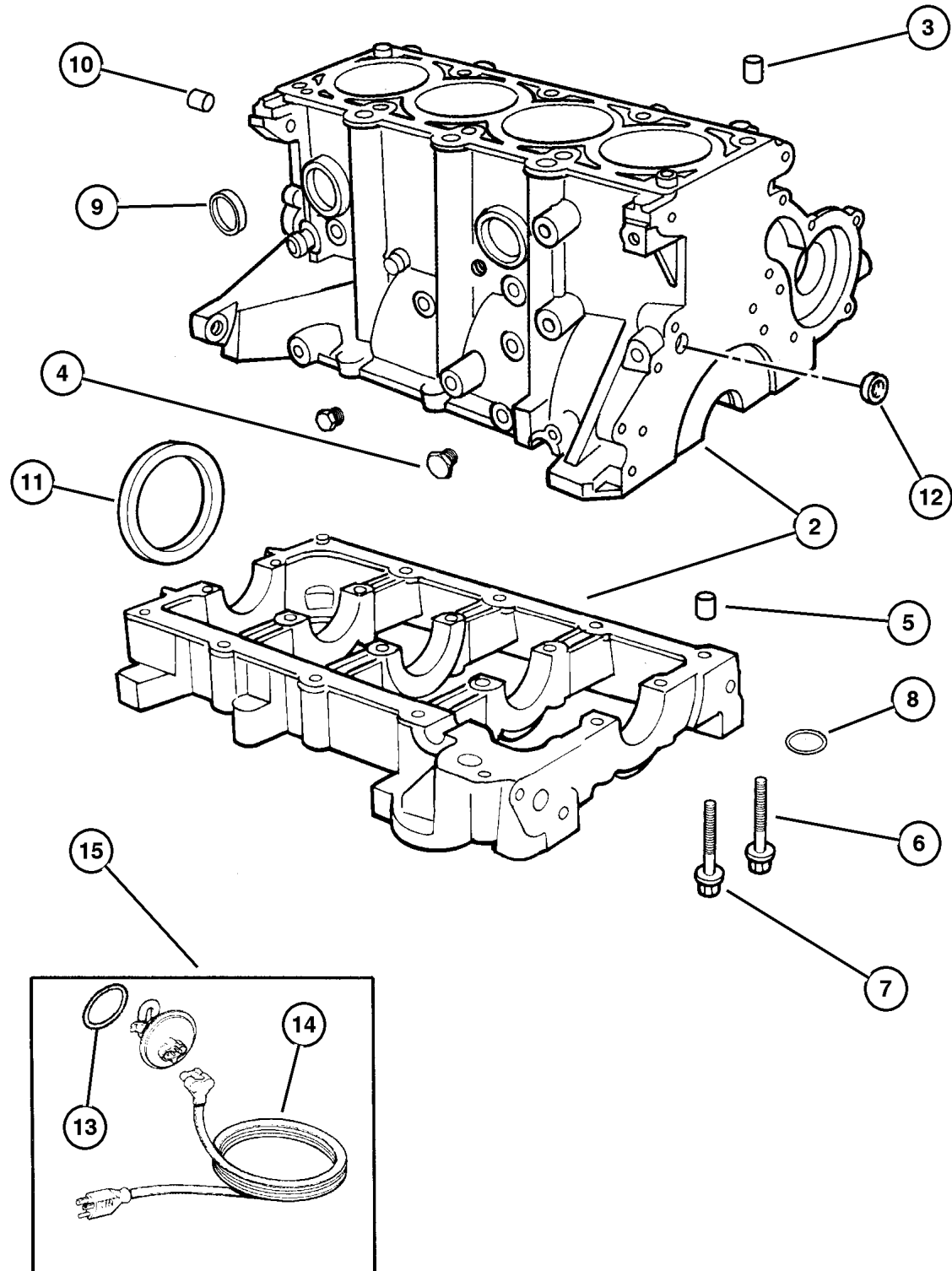
SERIES	LINE	BODY	ENGINE	TRANSMISSION
L=Low Line	Z= RHD	41 = 4 Door, 104.0WB	ECB =2.0L 4 Cyl. SOHC	DD5 = 5 Speed Manual
H=High Line	D= Dodge		EBD = 1.8L 4Cyl SOHC	DGC = 3 Speed Automatic
	D= Chrysler			DG0 = All Automatic
	P= Plymouth			DBB = All Manual

AR = Use as required - = Non illustrated part # = New this model year

May 3, 2002



**Cylinder Block 1.8L (EBD)  
Figure 1.8L-313**



ITEM	PART NUMBER	QTY	LINE	ENGINE	TRANS	DESCRIPTION
NOTE: Sales Code manual, 12 Disc Magazine.						
[EBD]=1.8L Engine. manual, 12 Disc Magazine.						
-1	4798 967AB	1		EBD		GASKET PACKAGE, Engine Lower
2	4897 021AD	1		EBD		BLOCK, Short, Consists: Bed Plate, Crank, Rods, Pistons, Rings, Oil Pan
3	4448 856	2		EBD		DOWEL, Block To Cylinder Head
4						PLUG, Pipe, .250-18x.560, (NOT SERVICED)
5	4694 106	3		EBD		DOWEL, Engine Block To Bedplate
6	6503 072	10		EBD		BOLT, Main Bearing Cap
7	6503 074	10		EBD		BOLT, Main Bearing Cap
8	6034 773	1		EBD		O RING, Bedplate To Engine Block
9	6034 804	4		EBD		PLUG, Core, 1.39 Diameter
10	5240 849	2		EBD		DOWEL, Block To Clutch Housing
11	4667 904	1		EBD		SEAL, Rear Main Crankshaft
12	4556 018	2		EBD		PLUG, Cylinder Block Oil Hole
13	6503 096	1	D, P			O RING, Engine Block Heater
14	#4793 530	1				CORD, Engine Block Heater
15	4557 686	1	D, P			HEATER, Engine Block

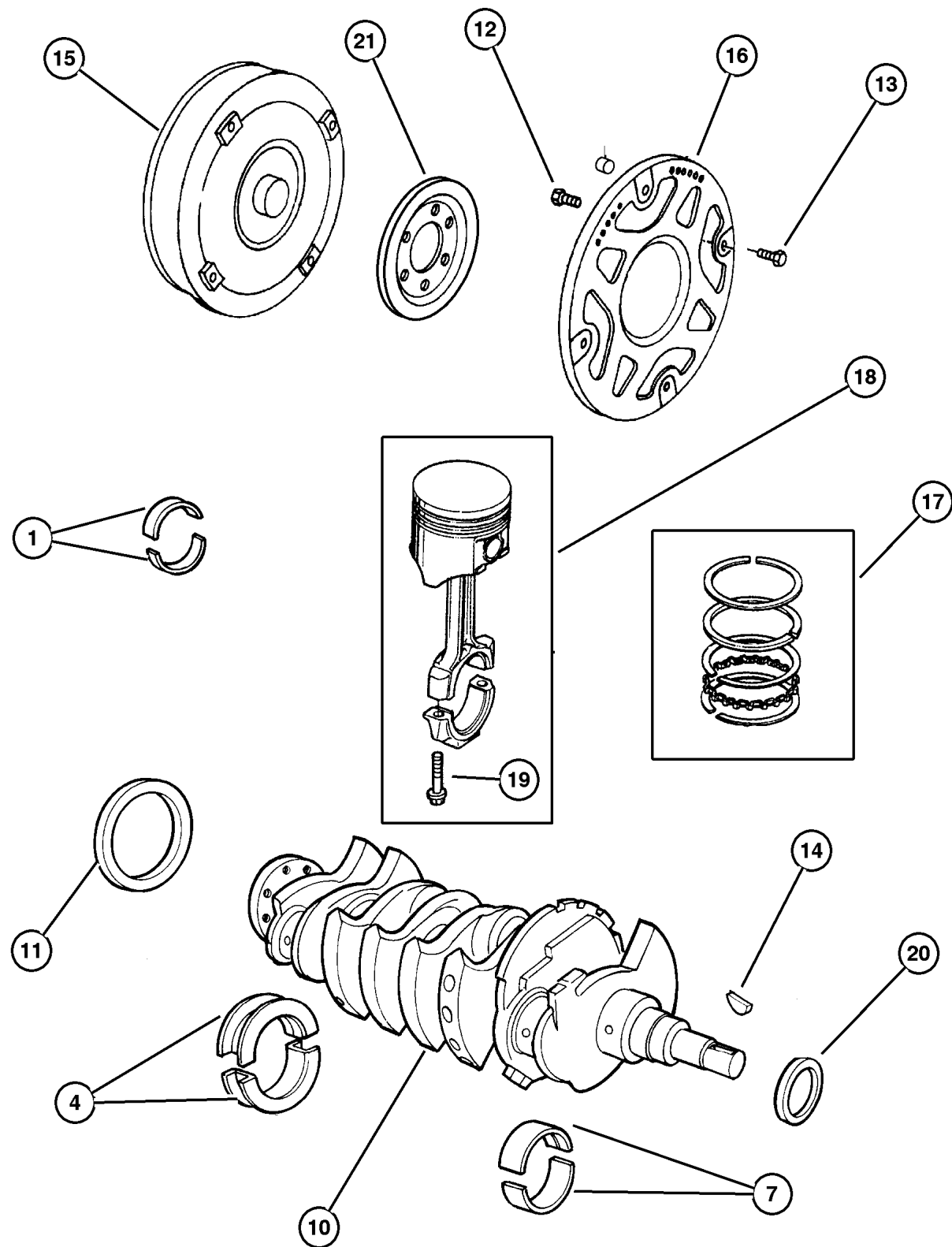
**DODGE - PLYMOUTH - CHRYSLER NEON (PL)**

SERIES	LINE	BODY	ENGINE	TRANSMISSION
L=Low Line	Z= RHD	41 = 4 Door, 104.0WB	ECB =2.0L 4 Cyl. SOHC	DD5 = 5 Speed Manual
H=High Line	D= Dodge		EBD = 1.8L 4Cyl SOHC	DGC = 3 Speed Automatic
	D= Chrysler			DG0 = All Automatic
	P= Plymouth			DBB = All Manual

AR = Use as required - = Non illustrated part # = New this model year

May 3, 2002

## Crankshaft, Piston, and Driveplate 1.8L (EBD) Figure 1.8L-413



ITEM	PART NUMBER	QTY	LINE	ENGINE	TRANS	DESCRIPTION
NOTE: Sales Code manual, 12 Disc Magazine.						
[EBD]=1.8L Engine. manual, 12 Disc Magazine.						
1	4728 997	AR		EBD		BEARING PACKAGE, Connecting Rod, Standard
-2	4728 991	AR		EBD		BEARING PACKAGE, Connecting Rod, .025mm Undersize
-3	4728 992	AR		EBD		BEARING PACKAGE, Connecting Rod, .25mm Undersize
4	4856 734	AR		EBD		BEARING PACKAGE, Crankshaft Thrust, STD.
-5	4856 736	AR		EBD		BEARING PACKAGE, Crankshaft Thrust, .016mm Undersize
-6	4856 738	AR		EBD		BEARING PACKAGE, Crankshaft Thrust, .25mm Undersize
7	4856 733	AR		EBD		BEARING PACKAGE, Crankshaft Main, Standard Size
-8	4856 735	AR		EBD		BEARING PACKAGE, Crankshaft, .016mm Undersize
-9	4856 737	AR		EBD		BEARING PACKAGE, Crankshaft, .25 mm Undersize
10	4667 754	1		EBD		CRANKSHAFT
11	4667 198	1		EBD		SEAL, Front Main Crankshaft
12	6503 465	8			DGC	BOLT, Drive Plate and Flywheel
13	6501 099	4			DGC	BOLT, Hex Head, M10x1.50 x 13.20
14	6035 473	1		EBD		KEY, Crankshaft Sprocket
15	4796 384AB	1			DGC	CONVERTER PACKAGE, Torque
16	4567 143	1			DGC	PLATE, Drive Plate
17	4897 018AA	1		EBD		PISTON RING SET, COMPLETE ENGINE, STD.
18	4897 019AA	4		EBD		PISTON PIN AND ROD
19	6503 116	8		EBD		BOLT, Connecting Rod
20	4667 904	1		EBD		SEAL, Rear Main Crankshaft
21	4471 933	1			DGC	PLATE, Drive Plate Backing

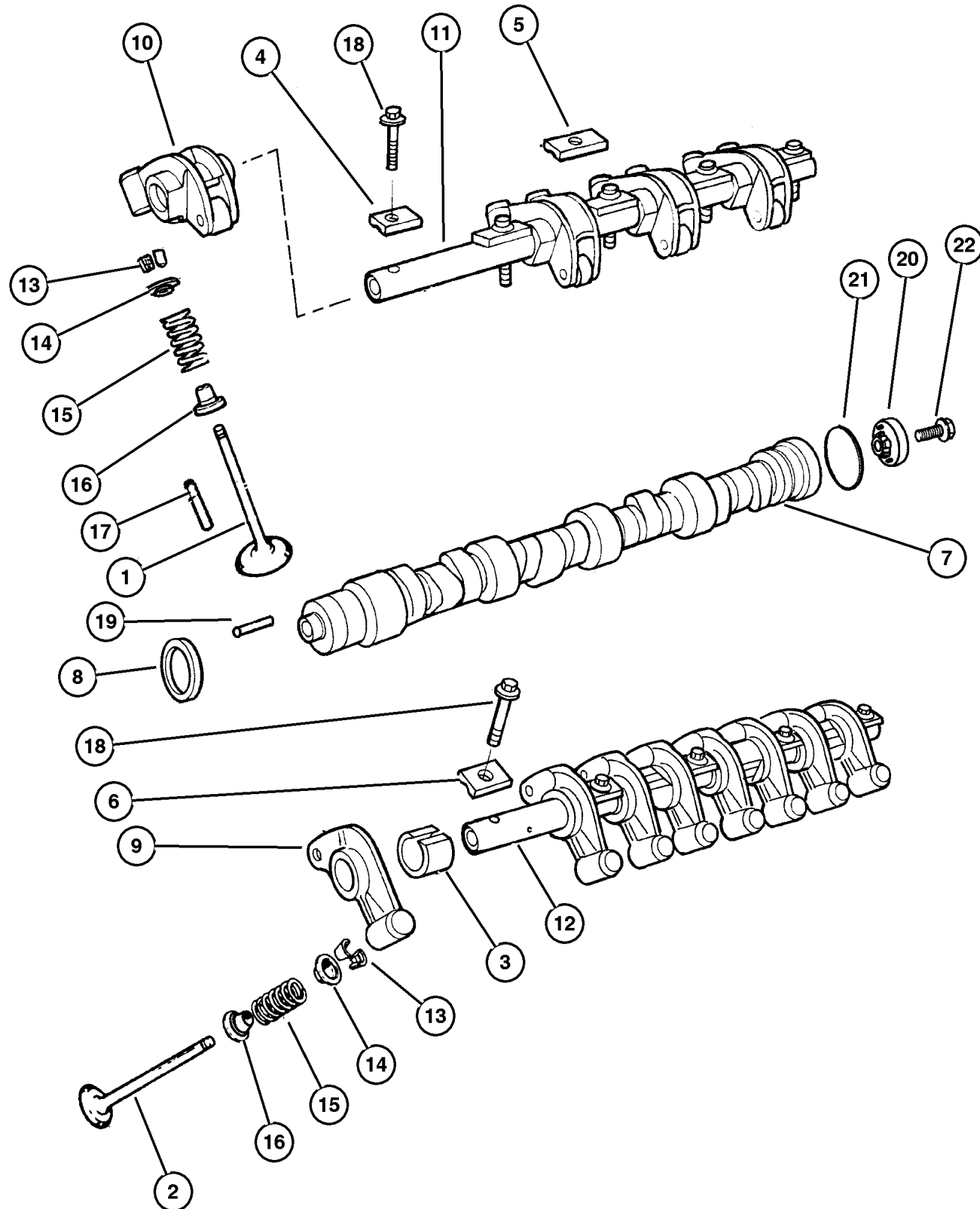
### DODGE - PLYMOUTH - CHRYSLER NEON (PL)

SERIES	LINE	BODY	ENGINE	TRANSMISSION
L=Low Line	Z= RHD	41 = 4 Door, 104.0WB	ECB =2.0L 4 Cyl. SOHC	DD5 = 5 Speed Manual
H=High Line	D= Dodge		EBD = 1.8L 4Cyl SOHC	DGC = 3 Speed Automatic
	D= Chrysler			DG0 = All Automatic
	P= Plymouth			DBB = All Manual

AR = Use as required - = Non illustrated part # = New this model year

May 3, 2002

**Camshaft and Valves 1.8L (EBD)**  
**Figure 1.8L-513**



ITEM	PART NUMBER	QTY	LINE	ENGINE	TRANS	DESCRIPTION
NOTE: Sales Code manual, 12 Disc Magazine.						
[EBD]=1.8L Engine manual, 12 Disc Magazine.						
1	4648 613	8		EBD		VALVE, Exhaust, Standard
2	4648 615	8		EBD		VALVE, Intake, Standard
3	4667 370	4		EBD		SPACER, Rocker Shaft
4	4667 256	2		EBD		RETAINER, Valve Rocker Shaft
5	4667 257	3		EBD		RETAINER, Valve Rocker Shaft
6	4667 259	5		EBD		RETAINER, Valve Rocker Shaft
7	4777 128	1		EBD		CAMSHAFT
8	4777 086	1		EBD		SEAL, Camshaft
9	4648 701	8		EBD		ROCKER ARM, Intake
10	4648 702	4		EBD		ROCKER ARM, Exhaust
11	4648 693	1		EBD		SHAFT, Rocker Arm
12	4648 691	1		EBD		SHAFT, Rocker Arm
13	4777 050	32		EBD		LOCK, Valve Spring Retainer
14	4648 682	16		EBD		RETAINER, Valve Spring
15	4777 535	16		EBD		SPRING, Valve
16	4648 619	16		EBD		SEAL, Valve Guide
17	4648 635	AR		EBD		GUIDE, Intake/Exhaust Valve, 7mm Oversize
18	6101 527	5		EBD		SCREW, Hex Flange Head, M8x1.25x40
19	6100 997	1		EBD		PIN, Dowel
20	5269 547	1		EBD		CAM MAGNET, Target
21	4777 068	1		EBD		SEAL, Camshaft Sensor
22	6503 688	1		EBD		BOLT, Hex Flange Head, M6x1.00x40

**DODGE - PLYMOUTH - CHRYSLER NEON (PL)**

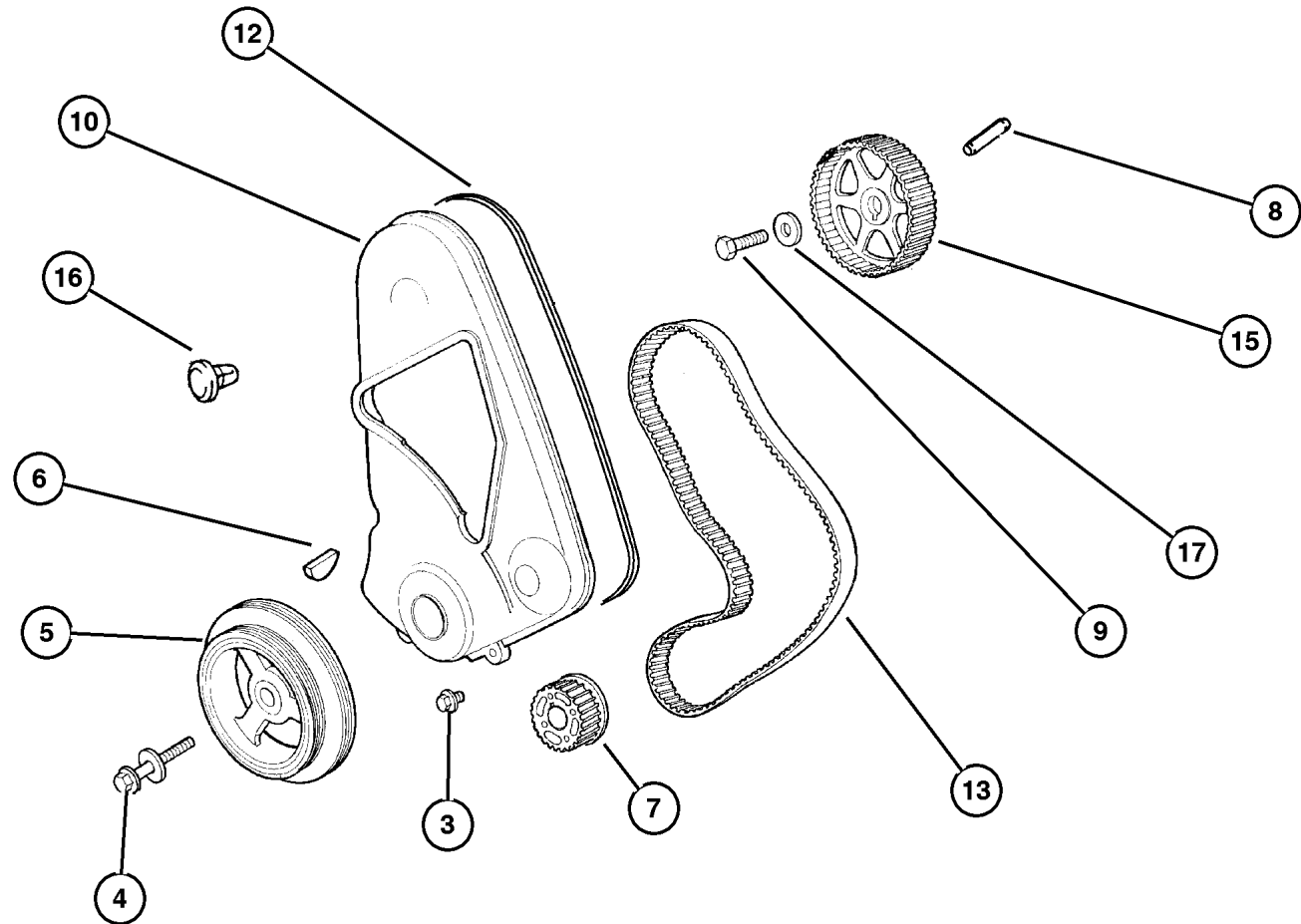
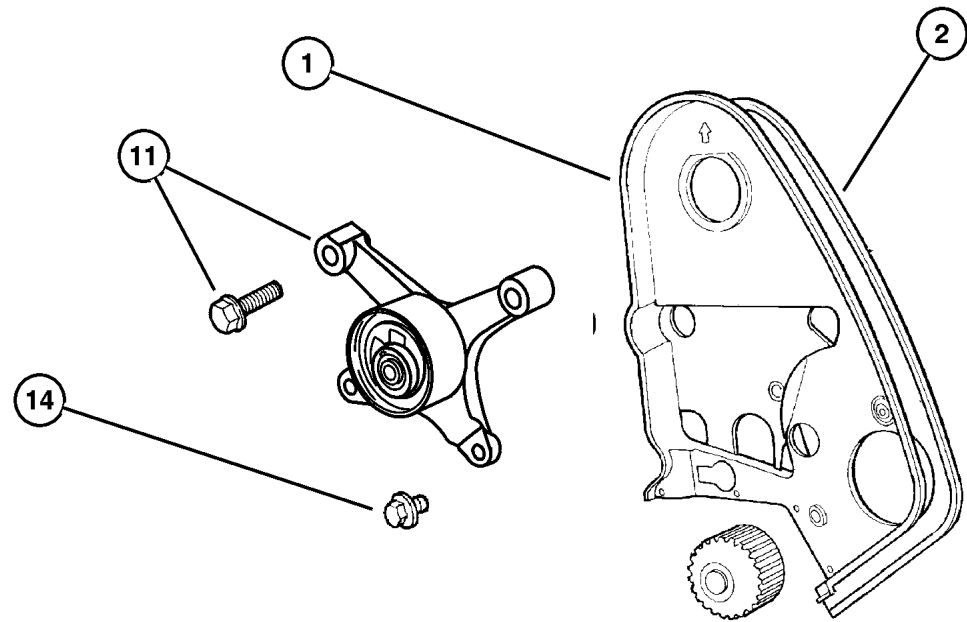
SERIES	LINE	BODY	ENGINE	TRANSMISSION
L=Low Line	Z= RHD	41 = 4 Door, 104.0WB	ECB =2.0L 4 Cyl. SOHC	DD5 = 5 Speed Manual
H=High Line	D= Dodge		EBD = 1.8L 4Cyl SOHC	DGC = 3 Speed Automatic
	D= Chrysler			DG0 = All Automatic
	P= Plymouth			DBB = All Manual

AR = Use as required - = Non illustrated part # = New this model year

May 3, 2002

Timing Belt and Cover 1.8L (EBD)  
Figure 1.8L-613

ITEM	PART NUMBER	QTY	LINE	ENGINE	TRANS	DESCRIPTION
NOTE: Sales Code manual, 12 Disc Magazine.						
[EBD]=1.8L Engine manual, 12 Disc Magazine.						
1	4777 519AB	1		EBD		COVER, Timing Belt, Inner
2	4667 340	1		EBD		SEAL, Timing Belt Cover
3	6502 926	6		EBD		BOLT, Hex Flange Head, M6x1.0x20
4	6503 553	1		EBD		BOLT, Hex Flange Head, M12x1.75x87.50
5	#4777 618AA	1		EBD		DAMPER, Crankshaft
6	6035 473	1		EBD		KEY, Crankshaft Sprocket
7	4667 604	1		EBD		GEAR, Crankshaft
8	6100 997	1		EBD		PIN, Dowel
9	6501 405	1		EBD		BOLT, Hex Head, M12x1.50x52
10	#4777 465	1		EBD		COVER, Timing Belt, Outer
11	4777 395AB	1		EBD		TENSIONER, Belt
12	4667 340	1		EBD		SEAL, Timing Belt Cover
13	4667 606	1		EBD		BELT, Timing
14						SCREW, Hex Head, M6x1x30, (NOT SERVICED)
15	4667 602	1		EBD		GEAR, Camshaft
16	4667 554	1		EBD		PLUG, Timing Belt Cover
17	6503 438	1		EBD		WASHER, Flared, 13x35.00x4.70



DODGE - PLYMOUTH - CHRYSLER NEON (PL)  
 SERIES LINE BODY ENGINE TRANSMISSION  
 L=Low Line Z=RHD 41 = 4 Door, 104.0WB ECB =2.0L 4 Cyl. SOHC DD5 = 5 Speed Manual  
 H=High Line D= Dodge EBD = 1.8L 4Cyl SOHC DGC = 3 Speed Automatic  
 P= Plymouth DG0 = All Automatic  
 DBB = All Manual

AR = Use as required - = Non illustrated part # = New this model year

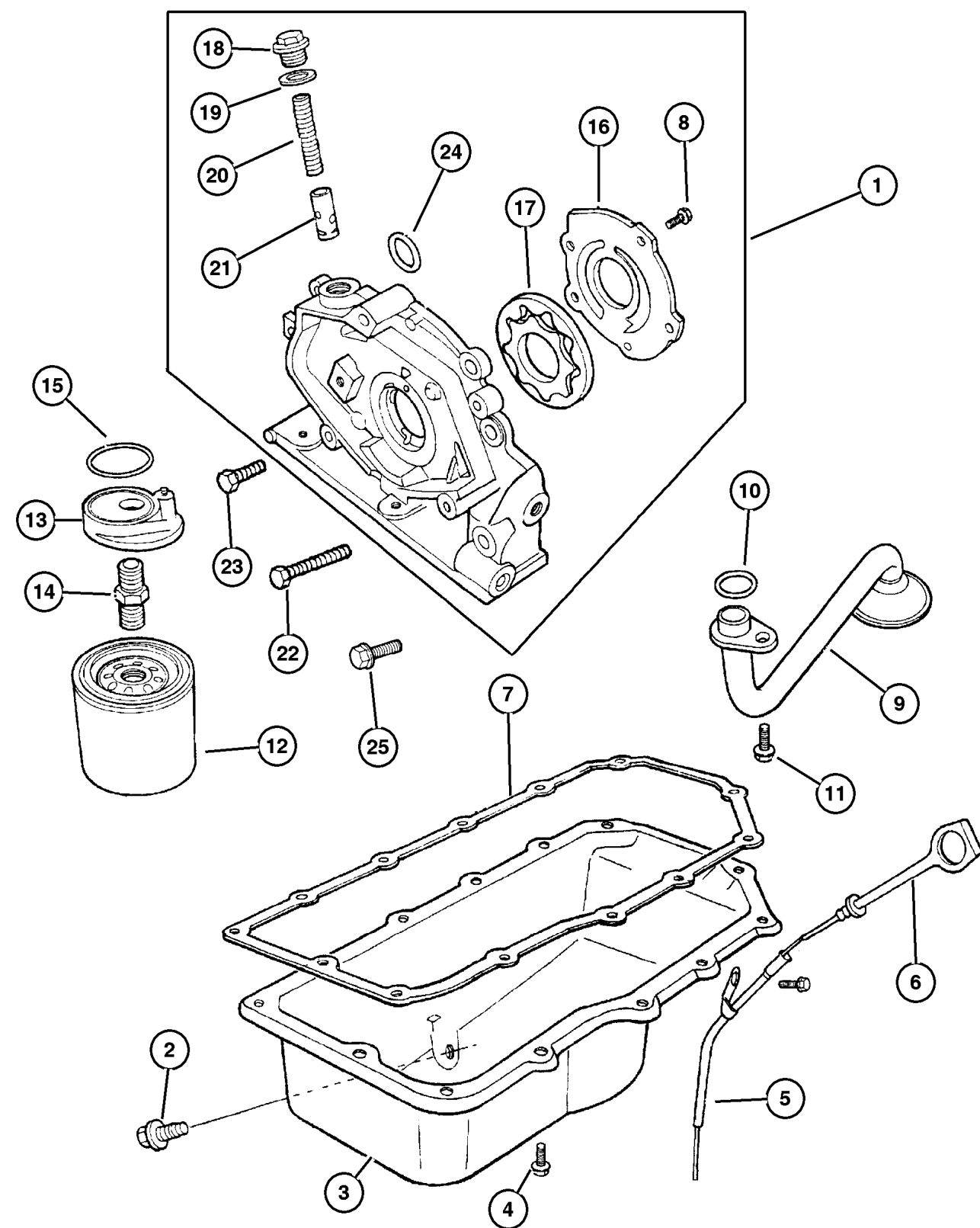
May 3, 2002

**Engine Oiling 1.8L (EBD)  
Figure 1.8L-713**

ITEM	PART NUMBER	QTY	LINE	ENGINE	TRANS	DESCRIPTION
------	-------------	-----	------	--------	-------	-------------

NOTE: Sales Code manual, 12 Disc Magazine.  
[EBD]=1.8L Engine. manual, 12 Disc Magazine.

1	4667 884	1		EBD		PUMP, Engine Oil
2	6504 018	1		EBD		PLUG, Oil Drain
3	4777 300AB	1		EBD		PAN, Engine Oil
4	6101 451	13		EBD		SCREW AND WASHER, Hex Head, M6x1x25
5	4667 352	1		EBD		TUBE, Engine Oil Indicator
6	4777 284	1		EBD		INDICATOR, Engine Oil Level
7	4556 666	1		EBD		GASKET, Oil Pan
8	6505 388AA	5		EBD		SCREW, Flange Head, M6x1x18
9	4777 252	1		EBD		TUBE, Oil Pickup
10	6032 920	1		EBD		SEAL, Oil Pick Up Tube
11	6500 070	1		EBD		SCREW AND WASHER, Hex Head, M8x1.25x25
12	4105 409	1		EBD		FILTER, Engine Oil
13	4667 386	1		EBD		ADAPTER, Oil Filter
14	4667 301	1		EBD		CONNECTOR, Oil Filter Adapter
15	4777 425	1		EBD		O RING, Oil Filter Adapter
16	4556 669	1		EBD		COVER, Oil Pump Back
17	4761 538	1		EBD		ROTOR SET, Oil Pump
18	0618 621	1		EBD		CAP, Oil Pressure Relief Valve
19	4777 062	1		EBD		GASKET, Oil Pump Relief Valve
20	1737 744	1		EBD		SPRING, Oil Pressure Relief Valve
21	2843 208	1		EBD		PLUNGER, Oil Pressure Relief Valve
22	6503 257	1		EBD		BOLT, Hex Head, M8x1.25x37.50
23	6503 256	2		EBD		BOLT, Hex Flange Head, M6x1.0x40
24	4483 444AB	1		EBD		O RING, Front Cover Oil Inlet
25	6100 296	2		EBD		BOLT, Hex Head



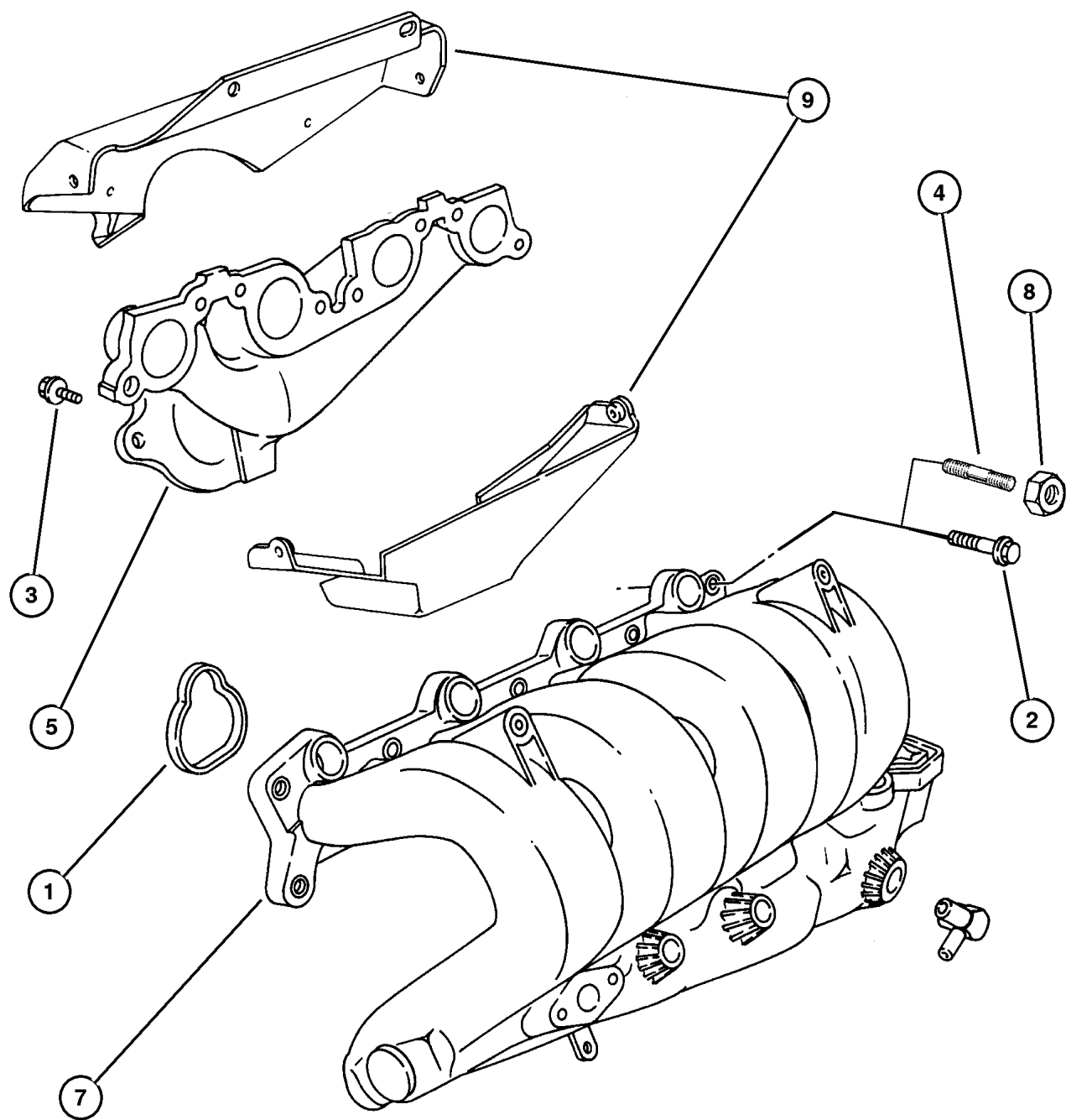
**DODGE - PLYMOUTH - CHRYSLER NEON (PL)**  
 SERIES LINE BODY ENGINE TRANSMISSION  
 L=Low Line Z=RHD 41 = 4 Door, 104.0WB ECB =2.0L 4 Cyl. SOHC DD5 = 5 Speed Manual  
 H=High Line D= Dodge EBD = 1.8L 4Cyl SOHC DGC = 3 Speed Automatic  
 D= Chrysler DG0 = All Automatic  
 P= Plymouth DBB = All Manual

AR = Use as required - = Non illustrated part # = New this model year

May 3, 2002

**Manifolds 1.8L (EBD)  
Figure 1.8L-813**

ITEM	PART NUMBER	QTY	LINE	ENGINE	TRANS	DESCRIPTION
NOTE: Sales Code manual, 12 Disc Magazine.						
[EBD]=1.8L Engine manual, 12 Disc Magazine.						
1	4777 895AA	4		EBD		GASKET, Intake Manifold
2	6503 131	8		EBD		BOLT, Hex Flange Head, M8x1.25x30
3	#6505 756AA	5		EBD		BOLT, Hex Flange Head, M6x1.0x40
4	#6505 314AA	2		EBD		STUD
5	#4777 619AB	1		EBD		MANIFOLD, Exhaust
6	4667 492	1		EBD		GASKET, Exhaust Manifold
7	#4777 379	1		EBD		MANIFOLD, Intake
8	6500 274	1	D, P			LOCK NUT, M6x1.0x6
9						SHIELD, Exhaust Manifold
	#4777 497	1		EBD		Upper
	#4777 498	1		EBD		Lower

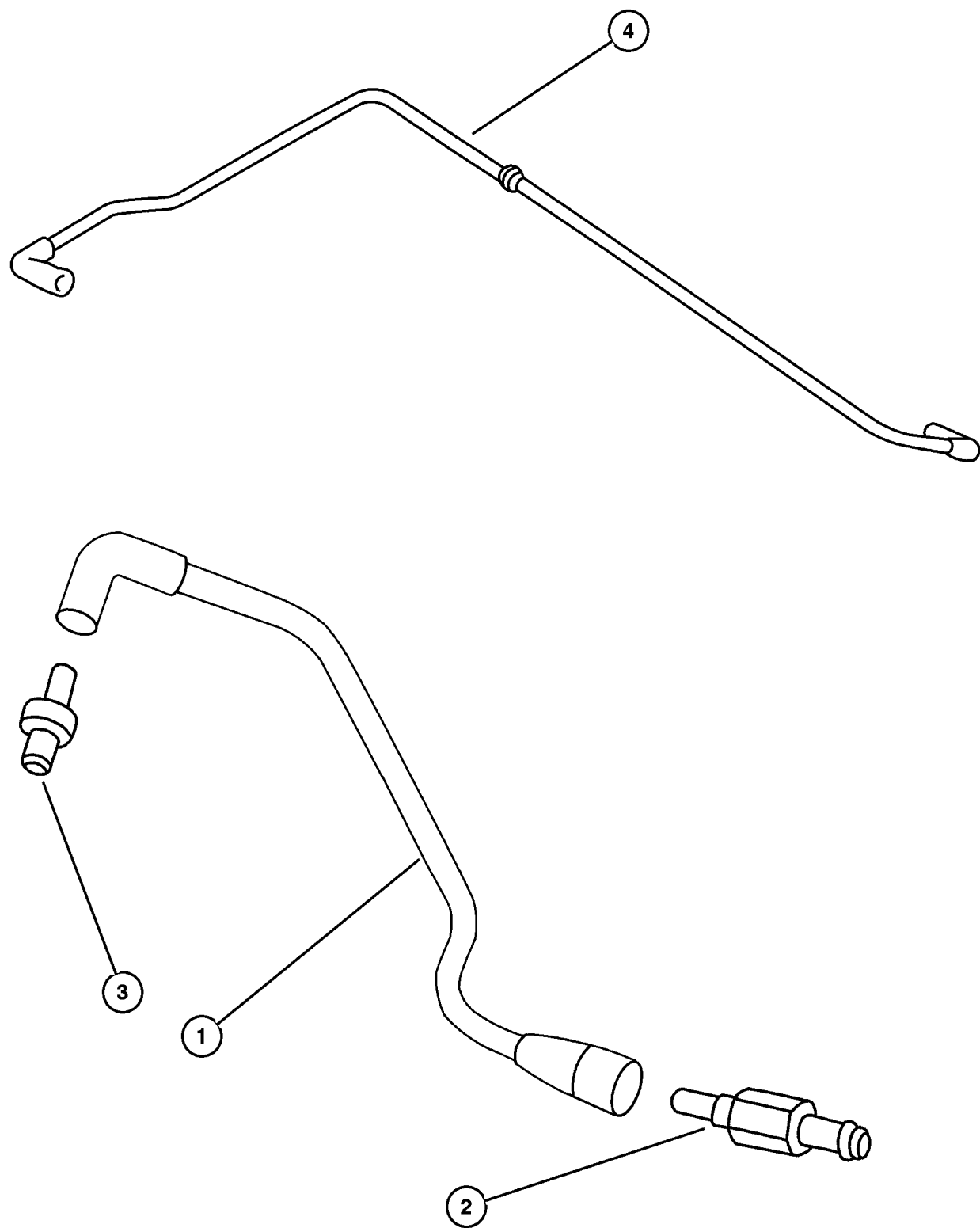


<b>DODGE - PLYMOUTH - CHRYSLER NEON (PL)</b>				
SERIES	LINE	BODY	ENGINE	TRANSMISSION
L=Low Line	Z= RHD	41 = 4 Door, 104.0WB	ECB =2.0L 4 Cyl. SOHC	DD5 = 5 Speed Manual
H=High Line	D= Dodge		EBD = 1.8L 4Cyl SOHC	DGC = 3 Speed Automatic
	D= Chrysler			DG0 = All Automatic
	P= Plymouth			DBB = All Manual

AR = Use as required - = Non illustrated part # = New this model year

May 3, 2002

**Crankcase Ventilation 1.8L (EBD)  
Figure 1.8L-913**



ITEM	PART NUMBER	QTY	LINE	ENGINE	TRANS	DESCRIPTION
------	-------------	-----	------	--------	-------	-------------

NOTE: Sales Code manual, 12 Disc Magazine.

[EBD]=1.8L Engine manual, 12 Disc Magazine.

[ECB]=2.0L Engine manual, 12 Disc Magazine.

1	#4777 501AB	1		EBD		HOSE, Polution Control Valve
2						VALVE, PCV
	#4777 240AC	1		EBD		Up to 10-11-99
	#4777 240AD	1		EBD		After 10-11-99
3	4884 040AA	1		EBD, ECB		RESTRICTOR, PCV
4	#4667 989AB	1		EBD, ECB		HOSE, Make Up Air

**DODGE - PLYMOUTH - CHRYSLER NEON (PL)**

SERIES	LINE	BODY	ENGINE	TRANSMISSION
L=Low Line	Z= RHD	41 = 4 Door, 104.0WB	ECB =2.0L 4 Cyl. SOHC	DD5 = 5 Speed Manual
H=High Line	D= Dodge		EBD = 1.8L 4Cyl SOHC	DGC = 3 Speed Automatic
	D= Chrysler			DG0 = All Automatic
	P= Plymouth			DBB = All Manuall

AR = Use as required - = Non illustrated part # = New this model year

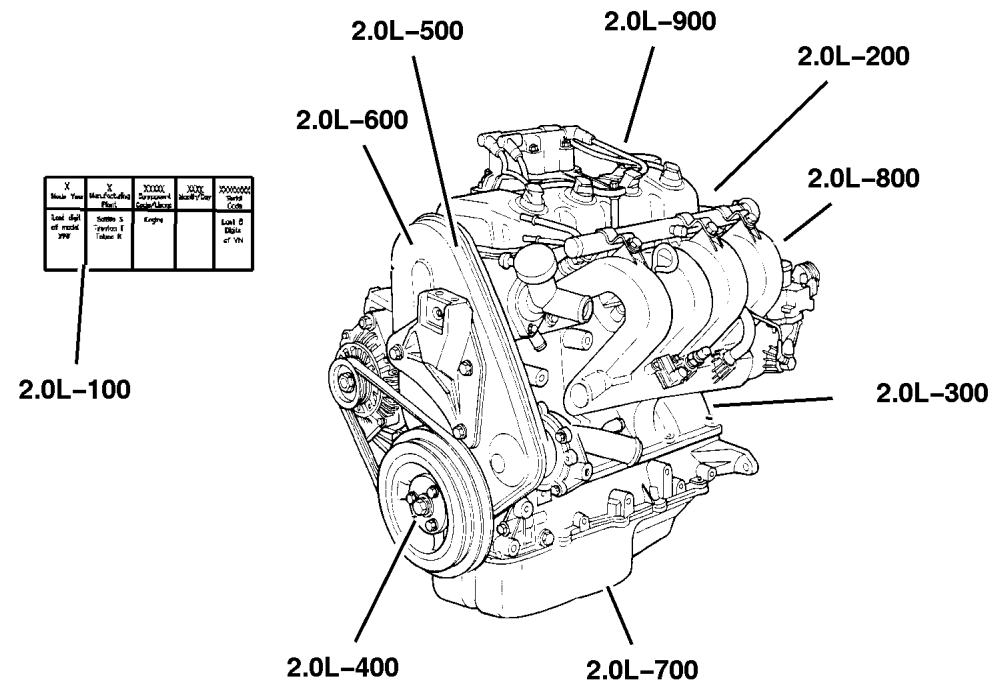
May 3, 2002

# Group – 2.0L

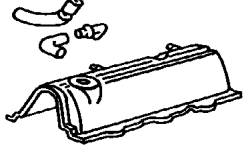
## Engine 2.0L Four Cylinder

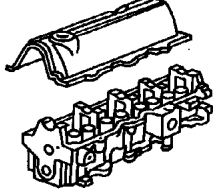
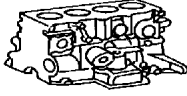
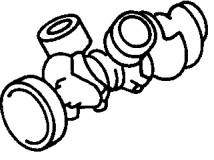
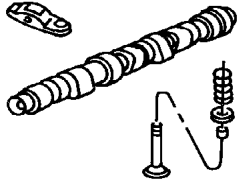
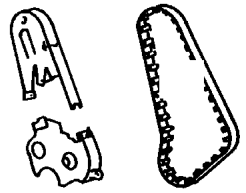
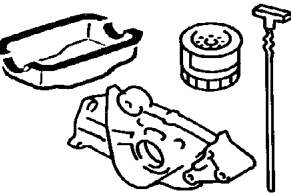
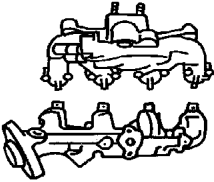
# Group – 2.0L

## Engine 2.0L Four Cylinder



X	X	XXXX	XXXX	XXXXXX
Model Year	Manufacturing Plant	Component Code/Usage	Month/Day	Serial Code
Last digit of model year	Satellite S Trenton T Tokyo K	Engine 3.3L - 3.8L Usage Pass Car PC Truck T		Last 8 Digits of VIN

<p><b>2.0L-900</b> Crankcase Ventilation</p> 			
--	--	--	--

<p><b>2.0L-100</b> Engine Identification</p> <table border="1"> <tr> <td>X</td> <td>X</td> <td>XXXX</td> <td>XXXX</td> <td>XXXXXX</td> </tr> <tr> <td>Model Year</td> <td>Manufacturing Plant</td> <td>Component Code/Usage</td> <td>Month/Day</td> <td>Serial Code</td> </tr> <tr> <td>Last digit of model year</td> <td>Satellite S Trenton T Tokyo K</td> <td>Engine 3.3L - 3.8L Usage Pass Car PC Truck T</td> <td></td> <td>Last 8 Digits of VIN</td> </tr> </table>	X	X	XXXX	XXXX	XXXXXX	Model Year	Manufacturing Plant	Component Code/Usage	Month/Day	Serial Code	Last digit of model year	Satellite S Trenton T Tokyo K	Engine 3.3L - 3.8L Usage Pass Car PC Truck T		Last 8 Digits of VIN	<p><b>2.0L-200</b> Cylinder Head</p> 	<p><b>2.0L-300</b> Cylinder Block</p> 	<p><b>2.0L-400</b> Crankshaft, Piston, and Drive Plate</p> 
X	X	XXXX	XXXX	XXXXXX														
Model Year	Manufacturing Plant	Component Code/Usage	Month/Day	Serial Code														
Last digit of model year	Satellite S Trenton T Tokyo K	Engine 3.3L - 3.8L Usage Pass Car PC Truck T		Last 8 Digits of VIN														
<p><b>2.0L-500</b> Camshafts and Valves</p> 	<p><b>2.0L-600</b> Timing Belt and Cover</p> 	<p><b>2.0L-700</b> Engine Oiling</p> 	<p><b>2.0L-800</b> Manifolds</p> 															





---

## GROUP 2.0L - Engine 2.0L Four Cylinder

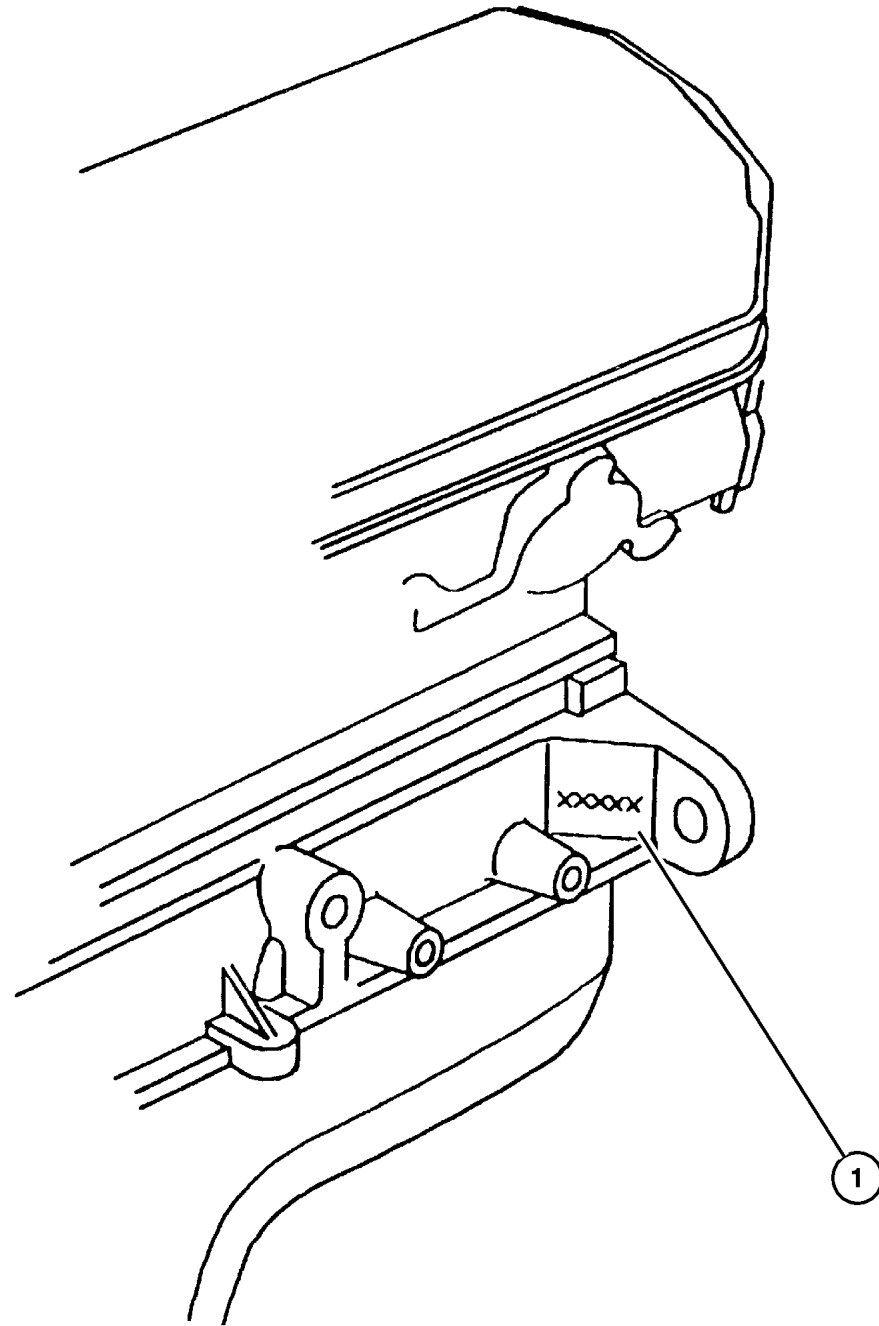
Illustration Title	Group-Fig. No.
<b>Engine Identification</b>	
I. D. Location 2.0L (ECB) .....	Fig. 2.0L-111
<b>Cylinder Head</b>	
Cylinder Head 2.0L SOHC (ECB) .....	Fig. 2.0L-211
<b>Cylinder Block</b>	
Cylinder Block 2.0L SOHC (ECB) .....	Fig. 2.0L-311
<b>Crankshaft, Piston, and Drive Plate</b>	
Crankshaft, Piston, Driveplate 2.0L SOHC (ECB) .....	Fig. 2.0L-411
<b>Camshafts and Valves</b>	
Camshaft and Valves 2.0L SOHC (ECB) .....	Fig. 2.0L-511
<b>Timing Belt and Cover</b>	
Timing Belt and Cover 2.0L SOHC (ECB) .....	Fig. 2.0L-611
<b>Engine Oiling</b>	
Engine Oiling 2.0L SOHC (ECB) .....	Fig. 2.0L-711
<b>Manifolds</b>	
Manifolds 2.0L SOHC [ECB] .....	Fig. 2.0L-811
<b>Crankcase Ventilation</b>	
Crankcase Ventilation 2.0L SOHC (ECB) .....	Fig. 2.0L-911

I. D. Location 2.0L (ECB)  
Figure 2.0L-111

ITEM	PART NUMBER	QTY	LINE	ENGINE	TRANS	DESCRIPTION
------	-------------	-----	------	--------	-------	-------------

NOTE: Sales Code manual, 12 Disc Magazine.  
[ECB]=2.0L Engine. manual, 12 Disc Magazine.

1						LABEL, Engine Identification, (NOT SERVICED)
---	--	--	--	--	--	--

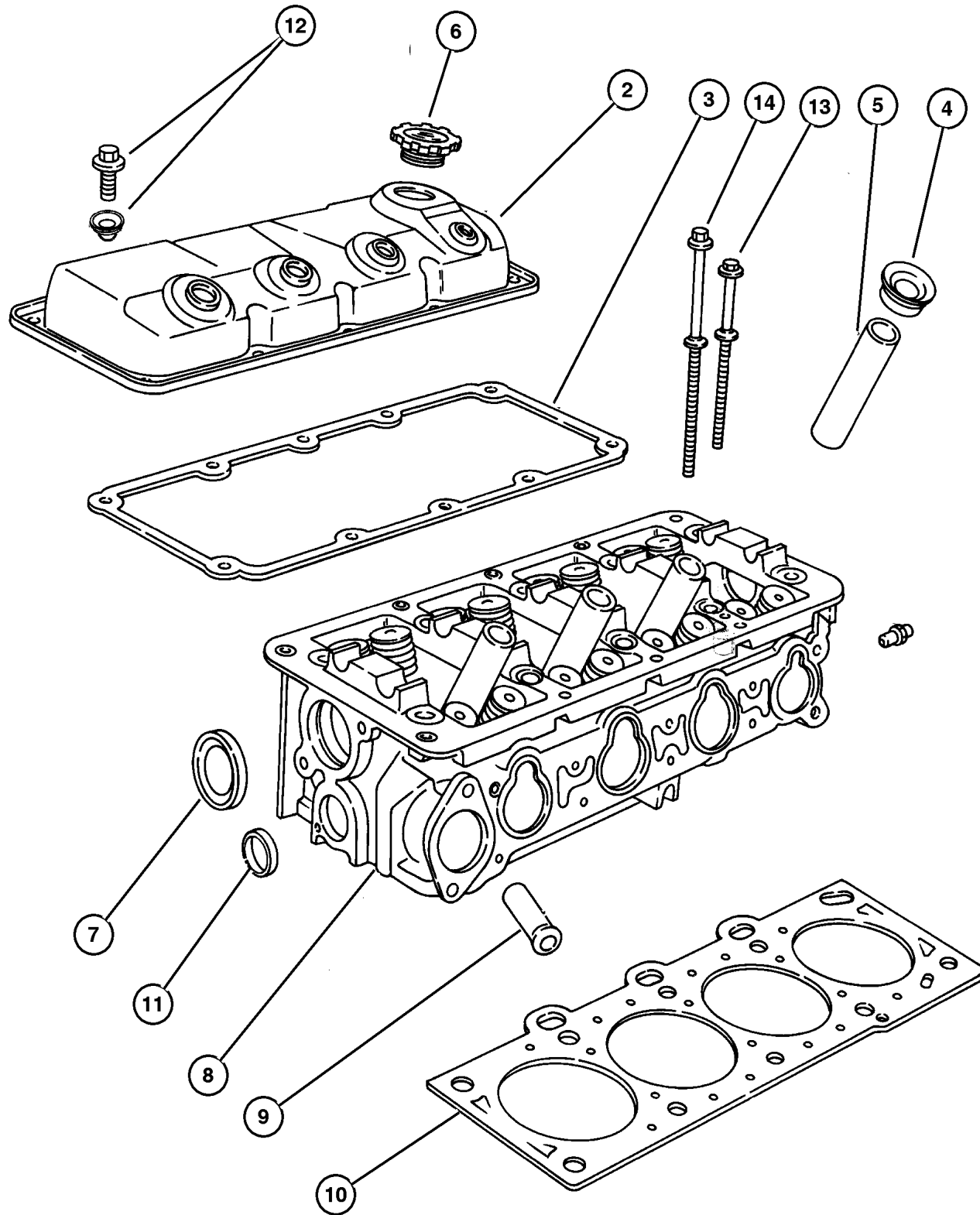


DODGE - PLYMOUTH - CHRYSLER NEON (PL)			ENGINE	TRANSMISSION
SERIES	LINE	BODY	ECB =2.0L 4 Cyl. SOHC	DD5 = 5 Speed Manual
L=Low Line	Z= RHD	41 = 4 Door, 104.0WB	EBD = 1.8L 4Cyl SOHC	DGC = 3 Speed Automatic
H=High Line	D= Dodge			DG0 = All Automatic
	D= Chrysler			DBB = All Manuall
	P= Plymouth			

AR = Use as required - = Non illustrated part # = New this model year

May 3, 2002

**Cylinder Head 2.0L SOHC (ECB)  
Figure 2.0L-211**



ITEM	PART NUMBER	QTY	LINE	ENGINE	TRANS	DESCRIPTION
NOTE: Sales Code manual, 12 Disc Magazine.						
[ECB]=2.0L Engine manual, 12 Disc Magazine.						
-1	5014 556AA	1		ECB		GASKET PACKAGE, Engine Upper
2	#4777 487	1		ECB		COVER, Cylinder Head
3	4777 626AA	1		ECB		GASKET, Cylinder Cover
4	4777 042AB	4		ECB		SEAL, Spark Plug Tube
5	4648 604	4		ECB		TUBE, Spark Plug
6	4777 536	1		ECB		CAP, Oil Filler
7	4777 086	1		ECB		SEAL, Camshaft
8	#4667 993AC	1		ECB		HEAD, Cylinder
9	4621 653	1		ECB		NIPPLE, Heater Return
10	5014 127AA	1		ECB		GASKET PACKAGE, Cylinder Head
11	4556 020	2		ECB		PLUG, Core, 1.25 Diameter
12	#4777 625AA	10		ECB		ISOLATOR, Cylinder Head Cover, Grommet And Bolt
13	6503 561	4		ECB		BOLT, Cylinder Head
14	6503 562	6		ECB		BOLT, Cylinder Head
-15	4591 227	1		ECB		COVER, EGR Port
-16	4663 247	1		ECB		GASKET, EGR Valve
-17	6501 648	2		ECB		SCREW, Hex Flange Head, M8x1.25x25.00

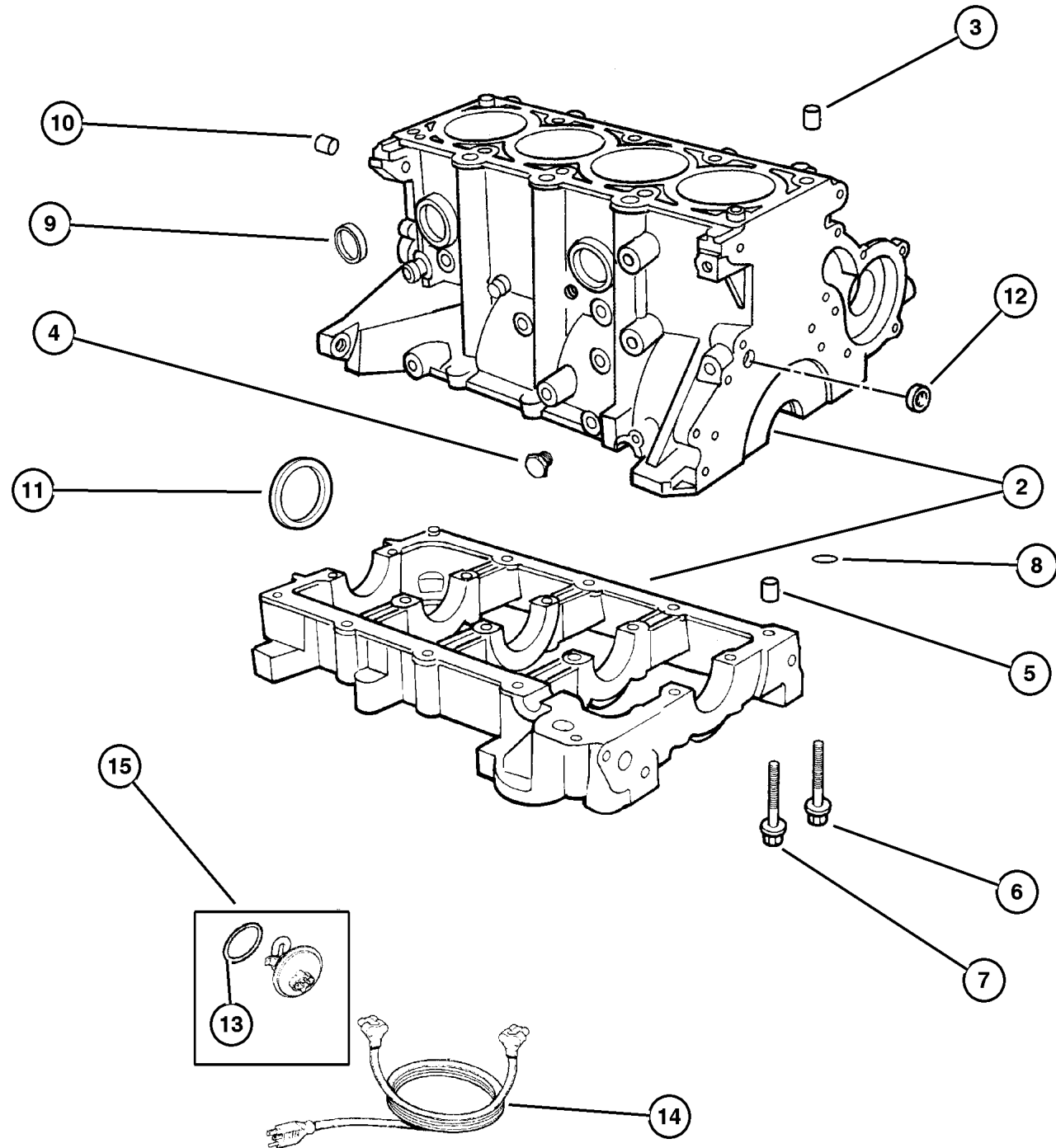
**DODGE - PLYMOUTH - CHRYSLER NEON (PL)**

SERIES	LINE	BODY	ENGINE	TRANSMISSION
L=Low Line	Z= RHD	41 = 4 Door, 104.0WB	ECB =2.0L 4 Cyl. SOHC	DD5 = 5 Speed Manual
H=High Line	D= Dodge		EBD = 1.8L 4Cyl SOHC	DGC = 3 Speed Automatic
	D= Chrysler			DG0 = All Automatic
	P= Plymouth			DBB = All Manual

AR = Use as required - = Non illustrated part # = New this model year

May 3, 2002

**Cylinder Block 2.0L SOHC (ECB)  
Figure 2.0L-311**



ITEM	PART NUMBER	QTY	LINE	ENGINE	TRANS	DESCRIPTION
NOTE: Sales Code manual, 12 Disc Magazine.						
[ECB]=2.0L Engine manual, 12 Disc Magazine.						
[NAA]=Federal Emissions. manual, 12 Disc Magazine.						
[NAB]=Leaded Fuel. manual, 12 Disc Magazine.						
[NBU]=Ultra Low Emission Vehicle. manual, 12 Disc Magazine.						
[NBV]=Low Emission Vehicle. manual, 12 Disc Magazine.						
-1	4798 967AB	1		ECB		GASKET PACKAGE, Engine Lower
2	4864 260AD	1		ECB		BLOCK, Short [NAA, NAB, NAC], Contains Block, Bed Plate, Crank, Rods, Pistons, Rings, Oil Pump, Oil Pan
	4897 720AD	1		ECB		[NBU, NBV], Contains Block, Bed Plate, Crank, Rods, Pistons, Rings, Oil Pump, Oil Pan
3	4448 856	2		ECB		DOWEL, Block To Cylinder Head
4						PLUG, Pipe, .250-18x.560, (NOT SERVICED)
5	4694 106	3		ECB		DOWEL, Engine Block To Bedplate
6	6503 072	10		ECB		BOLT, Main Bearing Cap
7	6503 074	10		ECB		BOLT, Main Bearing Cap
8	6034 773	1		ECB		O RING, Bedplate To Engine Block
9	6034 804	4		ECB		PLUG, Core, 1.39 Diameter
10	5240 849	2		ECB		DOWEL, Block To Clutch Housing
11	4667 904	1		ECB		SEAL, Rear Main Crankshaft
12	4556 018	2		ECB		PLUG, Cylinder Block Oil Hole
13	6503 096	1	D, P			O RING, Engine Block Heater
14	#4793 530	1				CORD, Engine Block Heater
15	4557 686	1	D, P			HEATER, Engine Block

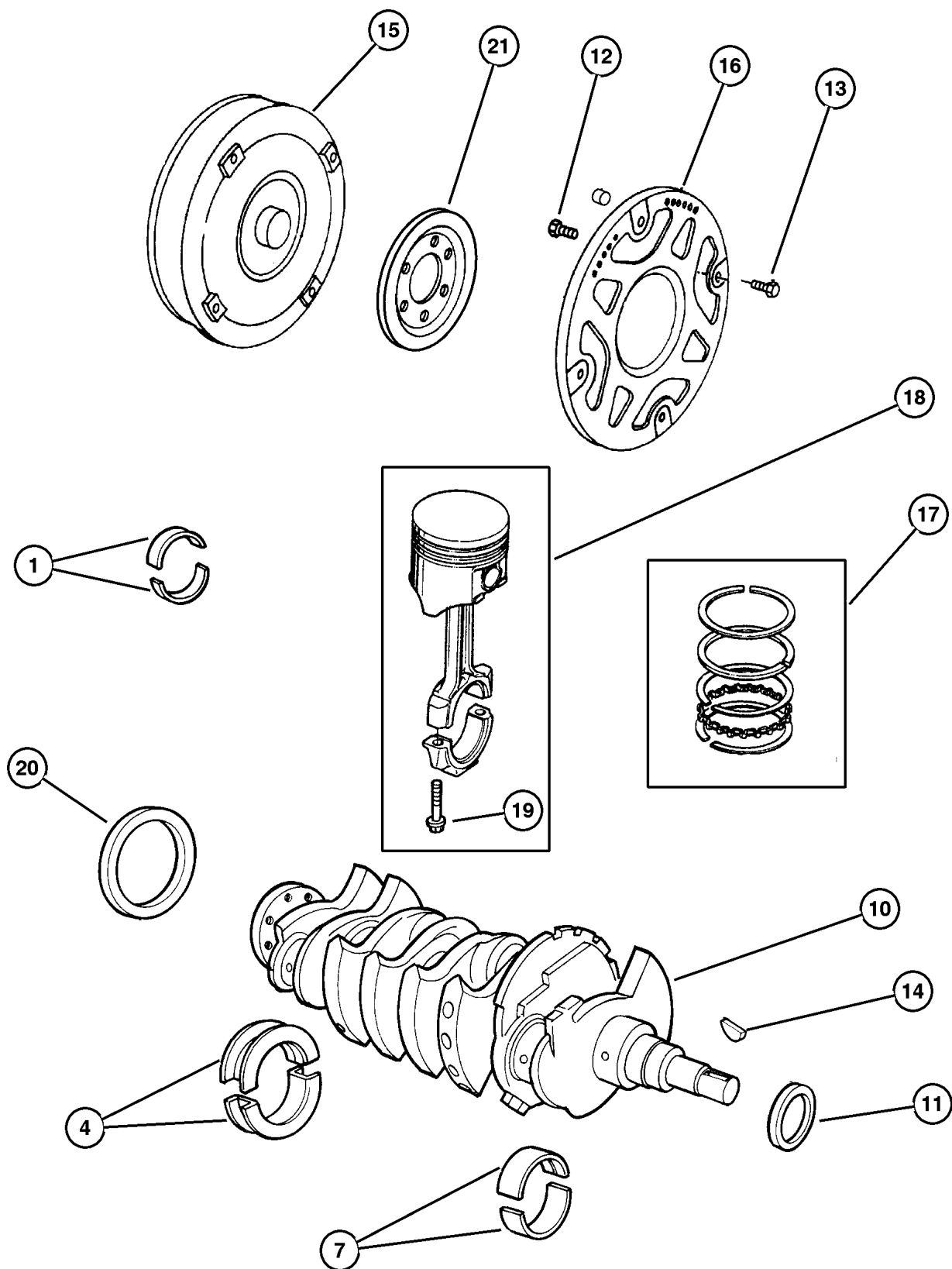
**DODGE - PLYMOUTH - CHRYSLER NEON (PL)**

SERIES	LINE	BODY	ENGINE	TRANSMISSION
L=Low Line	Z= RHD	41 = 4 Door, 104.0WB	ECB =2.0L 4 Cyl. SOHC	DD5 = 5 Speed Manual
H=High Line	D= Dodge		EBD = 1.8L 4Cyl SOHC	DGC = 3 Speed Automatic
	D= Chrysler			DG0 = All Automatic
	P= Plymouth			DBB = All Manual

AR = Use as required - = Non illustrated part # = New this model year

May 3, 2002

**Crankshaft, Piston, Driveplate 2.0L SOHC (ECB)  
Figure 2.0L-411**



ITEM	PART NUMBER	QTY	LINE	ENGINE	TRANS	DESCRIPTION
NOTE: Sales Codes manual, 12 Disc Magazine.						
[DD5]=Manual Trans manual, 12 Disc Magazine.						
[DGC]=3 Spd Auto Trans manual, 12 Disc Magazine.						
[ECB]=2.0L Engine manual, 12 Disc Magazine.						
[EBD]=1.8L Engine manual, 12 Disc Magazine.						
[NAA]=Federal Emission manual, 12 Disc Magazine.						
[NBU]=Ultra Low Emission Vehicle manual, 12 Disc Magazine.						
[NBV]=Low Emission Vehicle. manual, 12 Disc Magazine.						
1	4728 997	AR		ECB		BEARING PACKAGE, Connecting Rod, Standard
-2	4728 991	AR		ECB		BEARING PACKAGE, Connecting Rod, .025mm Undersize
-3	4728 992	AR		ECB		BEARING PACKAGE, Connecting Rod, .25mm Undersize
4	4856 734	AR		ECB		BEARING PACKAGE, Crankshaft Thrust, STD.
-5	4856 736	AR		ECB		BEARING PACKAGE, Crankshaft Thrust, .016mm Undersize
-6	4856 738	AR		ECB		BEARING PACKAGE, Crankshaft Thrust, .25mm Undersize
7	4856 733	AR		ECB		BEARING PACKAGE, Crankshaft Main, Standard Size
-8	4856 735	AR		ECB		BEARING PACKAGE, Crankshaft, .016mm Undersize
-9	4856 737	AR		ECB		BEARING PACKAGE, Crankshaft, .25 mm Undersize
10	4667 754	1		ECB		CRANKSHAFT
11	4667 198	1		ECB		SEAL, Front Main Crankshaft
12						BOLT, Drive Plate and Flywheel
	6503 465	8			DGC	
		8		EBD, ECB	DD5	
13						BOLT, Hex Head, M10x1.50 x 13.20
	6501 099	4			DGC	
		4		EBD, ECB	DD5	
14	6035 473	1		ECB		KEY, Crankshaft Sprocket
15	4796 384AB	1			DGC	CONVERTER PACKAGE, Torque
16						PLATE, Drive Plate
	4567 143	1			DGC	
		1		EBD, ECB	DD5	
17	4741 401	1		ECB		PISTON RING SET, COMPLETE ENGINE, STD.
18						PISTON PIN AND ROD
	4897 642AB	4		ECB		NBU
		4		ECB		NBV
		1		ECB		NAA
		1		ECB		NAC
19	6503 116	8		ECB		BOLT, Connecting Rod
20	4667 904	1		ECB		SEAL, Rear Main Crankshaft
21						PLATE, Drive Plate Backing

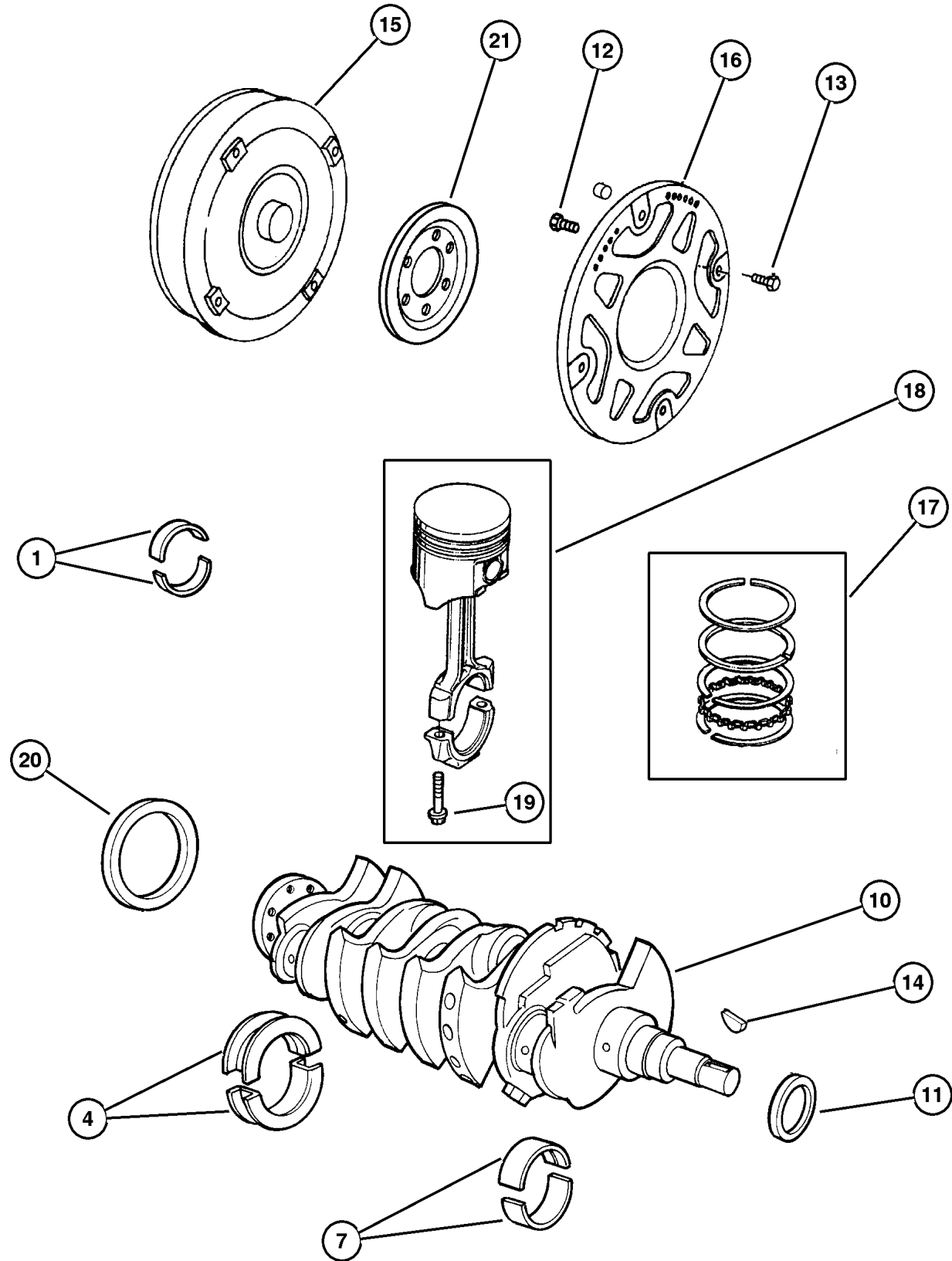
**DODGE - PLYMOUTH - CHRYSLER NEON (PL)**

SERIES	LINE	BODY	ENGINE	TRANSMISSION
L=Low Line	Z= RHD	41 = 4 Door, 104.0WB	ECB =2.0L 4 Cyl. SOHC	DD5 = 5 Speed Manual
H=High Line	D= Dodge		EBD = 1.8L 4Cyl SOHC	DGC = 3 Speed Automatic
	D= Chrysler			DG0 = All Automatic
	P= Plymouth			DBB = All Manual

AR = Use as required - = Non illustrated part # = New this model year

May 3, 2002

**Crankshaft, Piston, Driveplate 2.0L SOHC (ECB)**  
**Figure 2.0L-411**



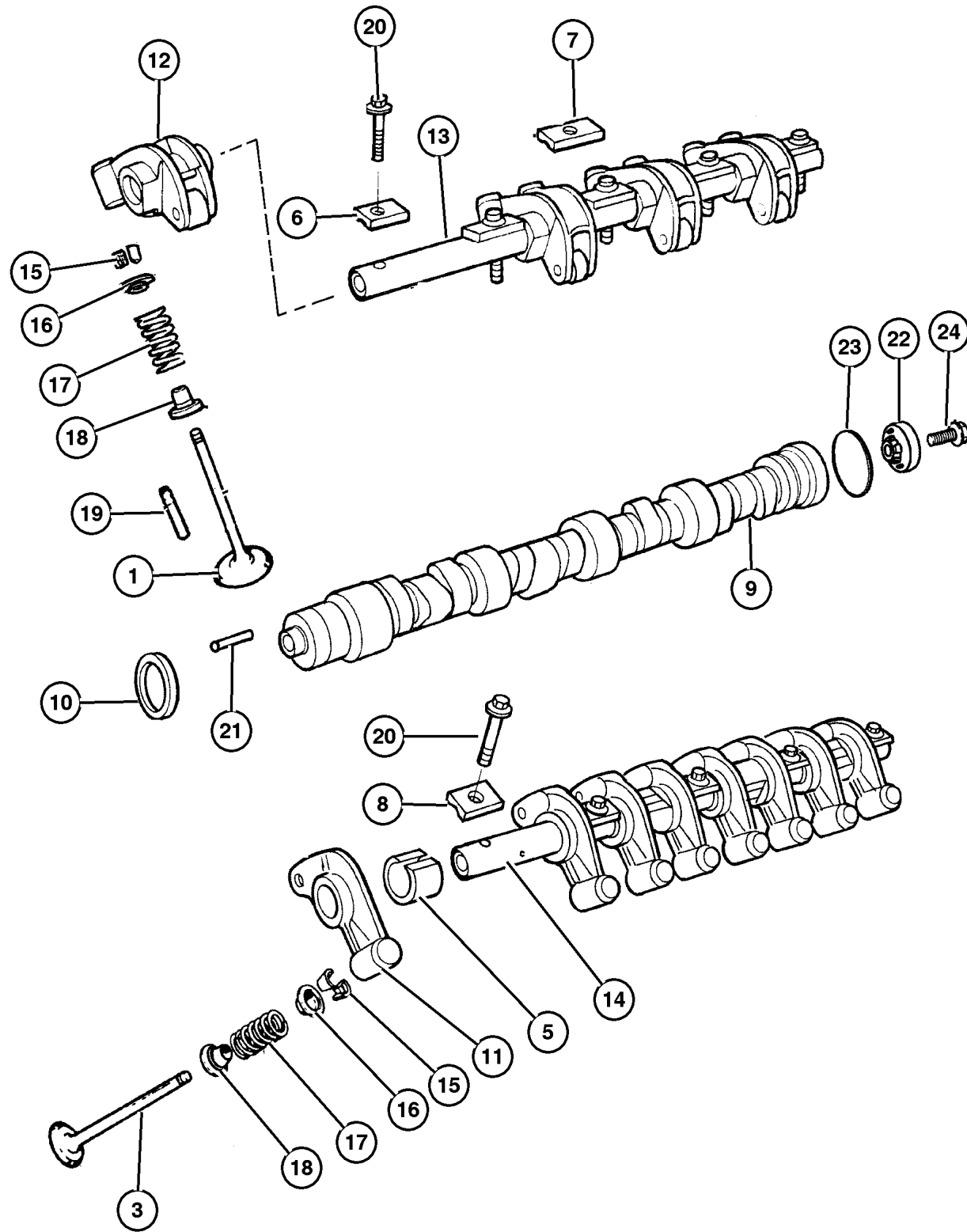
ITEM	PART NUMBER	QTY	LINE	ENGINE	TRANS	DESCRIPTION
------	-------------	-----	------	--------	-------	-------------

	4471 933	1			DGC	
		1		EBD, ECB	DD5	

**DODGE - PLYMOUTH - CHRYSLER NEON (PL)**

<b>SERIES</b>	<b>LINE</b>	<b>BODY</b>	<b>ENGINE</b>	<b>TRANSMISSION</b>
L=Low Line	Z= RHD	41 = 4 Door, 104.0WB	ECB =2.0L 4 Cyl. SOHC	DD5 = 5 Speed Manual
H=High Line	D= Dodge		EBD = 1.8L 4Cyl SOHC	DGC = 3 Speed Automatic
	D= Chrysler			DG0 = All Automatic
	P= Plymouth			DBB = All Manual

**Camshaft and Valves 2.0L SOHC (ECB)**  
**Figure 2.0L-511**



ITEM	PART NUMBER	QTY	LINE	ENGINE	TRANS	DESCRIPTION
NOTE: Sales Code manual, 12 Disc Magazine.						
[ECB]=2.0L Engine. manual, 12 Disc Magazine.						
1	4648 613	8		ECB		VALVE, Exhaust, Standard Single Bead Lock
	#4648 613AC	8		ECB		Triple Bead Lock
-2	4667 439	AR		ECB		VALVE, Exhaust, .15mm O/S
3	4648 615	8		ECB		VALVE, Intake, Standard Single Bead Lock
	#4648 615AC	8		ECB		Triple Bead Lock
-4	4667 189	AR		ECB		VALVE, Intake, .15MM O/S
5	4667 370	4		ECB		SPACER, Rocker Shaft
6	4667 256	2		ECB		RETAINER, Valve Rocker Shaft
7	4667 257	3		ECB		RETAINER, Valve Rocker Shaft
8	4667 259	5		ECB		RETAINER, Valve Rocker Shaft
9	4777 128	1		ECB		CAMSHAFT
10	4777 086	1		ECB		SEAL, Camshaft
11	4648 701	8		ECB		ROCKER ARM, Intake
12						ROCKER ARM, Exhaust
	#4648 702AB	4		ECB		Up to 6-5-00
	#4648 702AC	4		ECB		After 6-5-00
13	4648 693	1		ECB		SHAFT, Rocker Arm
14	4648 691	1		ECB		SHAFT, Rocker Arm
15						LOCK, Valve Spring Retainer
	4777 050	32		ECB		Single Bead Lock
	#4777 050AB	32		ECB		Triple Bead Lock
16						RETAINER, Valve Spring
	4648 682	16		ECB		Single Bead Lock
	#4648 682AB	16		ECB		Triple Bead Lock
17	4777 535	16		ECB		SPRING, Valve
18	4648 619	16		ECB		SEAL, Valve Guide
19	4648 635	AR		ECB		GUIDE, Intake/Exhaust Valve, 7mm Oversize
20	6101 527	5		ECB		SCREW, Hex Flange Head, M8x1.25x40
21	6100 997	1		ECB		PIN, Dowel
22	5269 547	1		ECB		CAM MAGNET, Target
23	4777 068	1		ECB		SEAL, Camshaft Sensor
24	6503 688	1		ECB		BOLT, Hex Flange Head, M6x1.00x40

**DODGE - PLYMOUTH - CHRYSLER NEON (PL)**

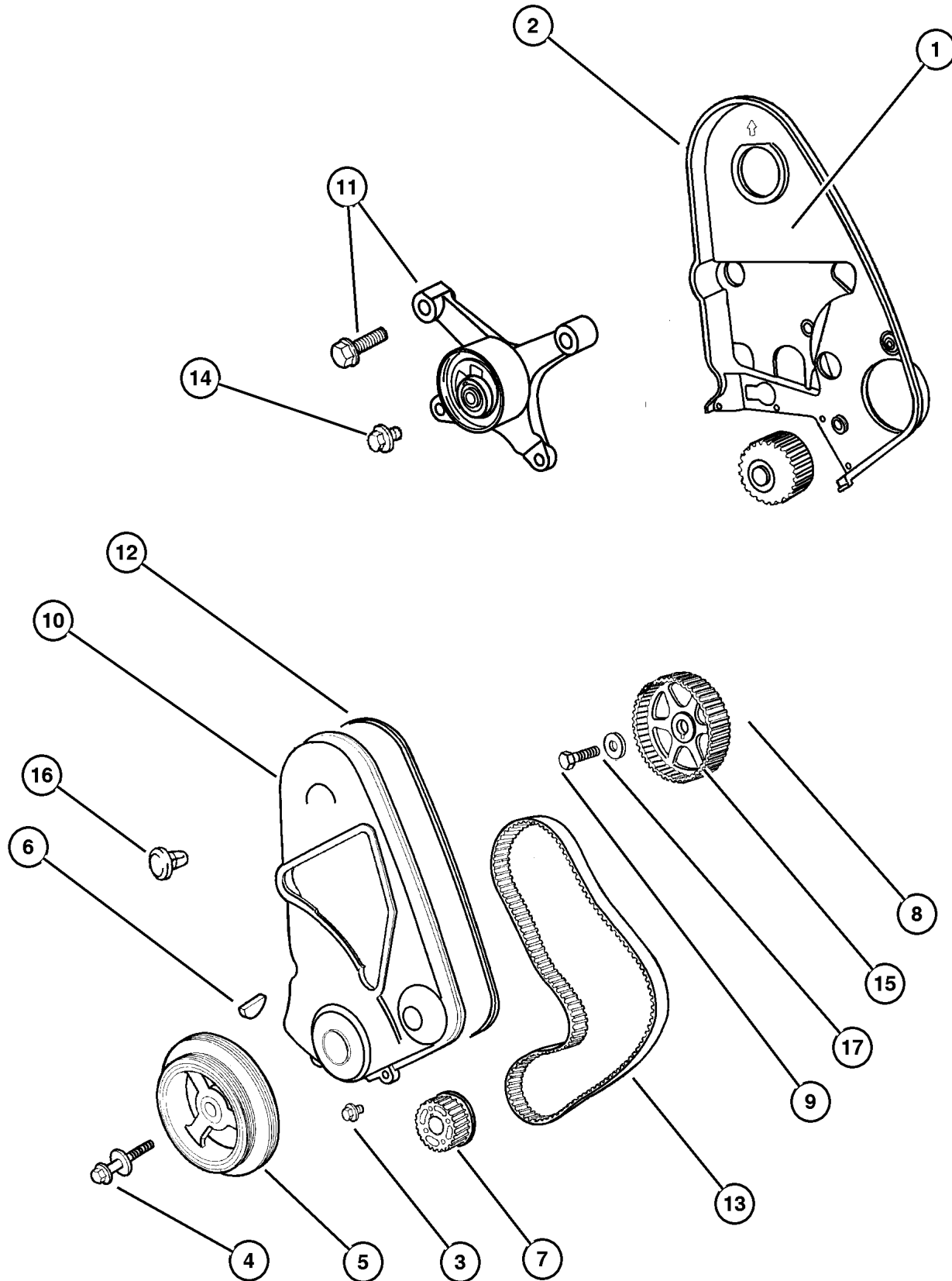
SERIES	LINE	BODY	ENGINE	TRANSMISSION
L=Low Line	Z= RHD	41 = 4 Door, 104.0WB	ECB =2.0L 4 Cyl. SOHC	DD5 = 5 Speed Manual
H=High Line	D= Dodge		EBD = 1.8L 4Cyl SOHC	DGC = 3 Speed Automatic
	D= Chrysler			DG0 = All Automatic
	P= Plymouth			DBB = All Manual

AR = Use as required - = Non illustrated part # = New this model year

May 3, 2002

**Timing Belt and Cover 2.0L SOHC (ECB)  
Figure 2.0L-611**

ITEM	PART NUMBER	QTY	LINE	ENGINE	TRANS	DESCRIPTION
NOTE: Sales Codes manual, 12 Disc Magazine.						
[ECB]=2.0L Engine. manual, 12 Disc Magazine.						
1	4777 519AB	1		ECB		COVER, Timing Belt, Inner
2	4667 340	1		ECB		SEAL, Timing Belt Cover
3	6502 926	6		ECB		BOLT, Hex Flange Head, M6x1.0x20
4	6503 553	1		ECB		BOLT, Hex Flange Head, M12x1.75x87.50
5	#4777 618AA	1		ECB		DAMPER, Crankshaft
6	6035 473	1		ECB		KEY, Crankshaft Sprocket
7	4667 604	1		ECB		GEAR, Crankshaft
8	6100 997	1		ECB		PIN, Dowel
9	6501 405	1		ECB		BOLT, Hex Head, M12x1.50x52
10	#4777 465	1		ECB		COVER, Timing Belt, Outer
11	4777 395AB	1		ECB		TENSIONER, Belt
12	4667 340	1		ECB		SEAL, Timing Belt Cover
13	4667 606	1		ECB		BELT, Timing
14						SCREW AND WASHER, Hex Head, M6x1x30, (NOT REQUIRED)
15	4667 602	1		ECB		GEAR, Camshaft
16	4667 554	1		ECB		PLUG, Timing Belt Cover
17	6503 438	1		ECB		WASHER, Flared, 13x35.00x4.70



**DODGE - PLYMOUTH - CHRYSLER NEON (PL)**

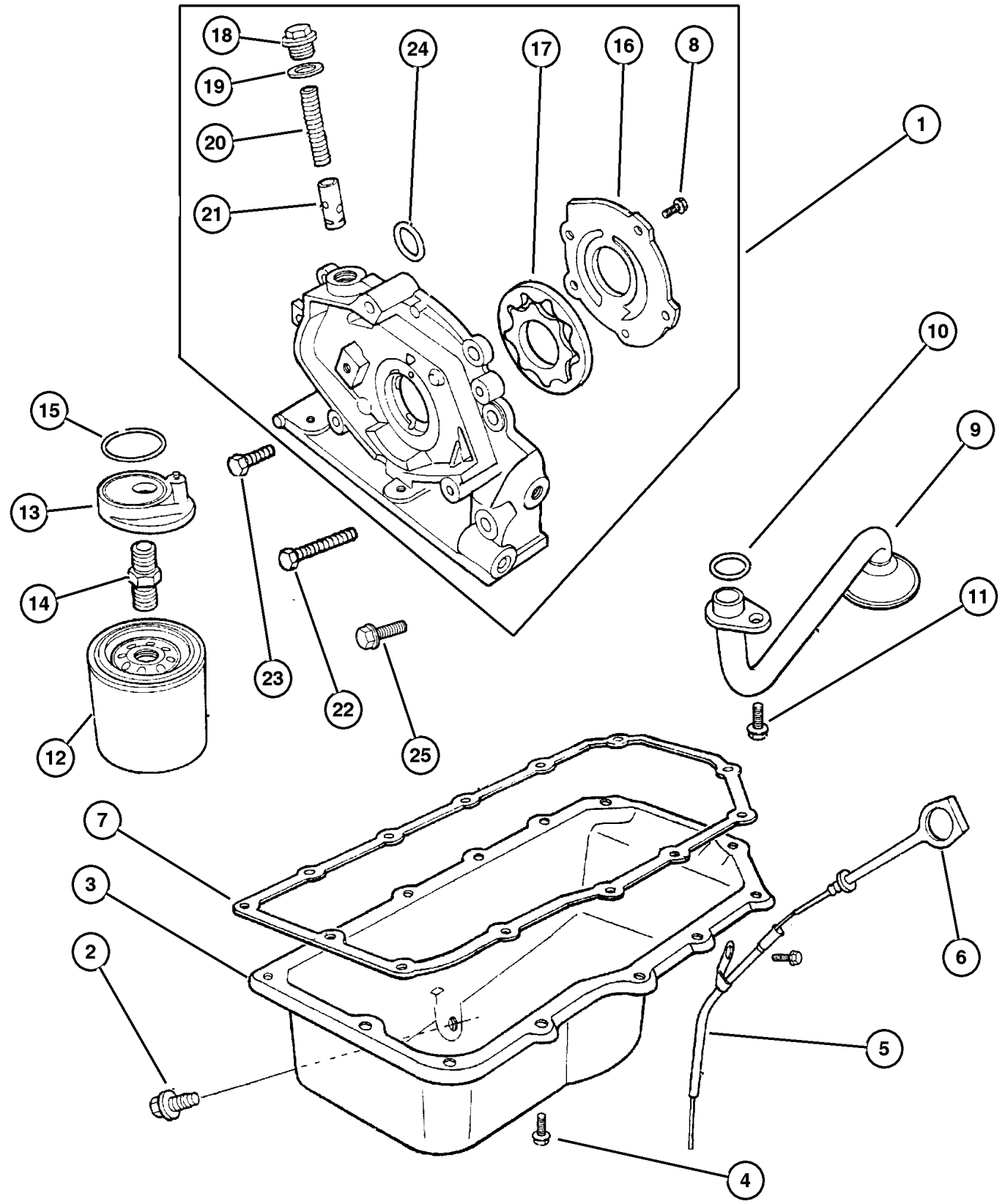
SERIES	LINE	BODY	ENGINE	TRANSMISSION
L=Low Line	Z= RHD	41 = 4 Door, 104.0WB	ECB =2.0L 4 Cyl. SOHC	DD5 = 5 Speed Manual
H=High Line	D= Dodge		EBD = 1.8L 4Cyl SOHC	DGC = 3 Speed Automatic
	D= Chrysler			DG0 = All Automatic
	P= Plymouth			DBB = All Manual

AR = Use as required - = Non illustrated part # = New this model year

May 3, 2002



**Engine Oiling 2.0L SOHC (ECB)  
Figure 2.0L-711**



ITEM	PART NUMBER	QTY	LINE	ENGINE	TRANS	DESCRIPTION
------	-------------	-----	------	--------	-------	-------------

NOTE: Sales Code manual, 12 Disc Magazine.  
[ECB]=2.0L Engine. manual, 12 Disc Magazine.

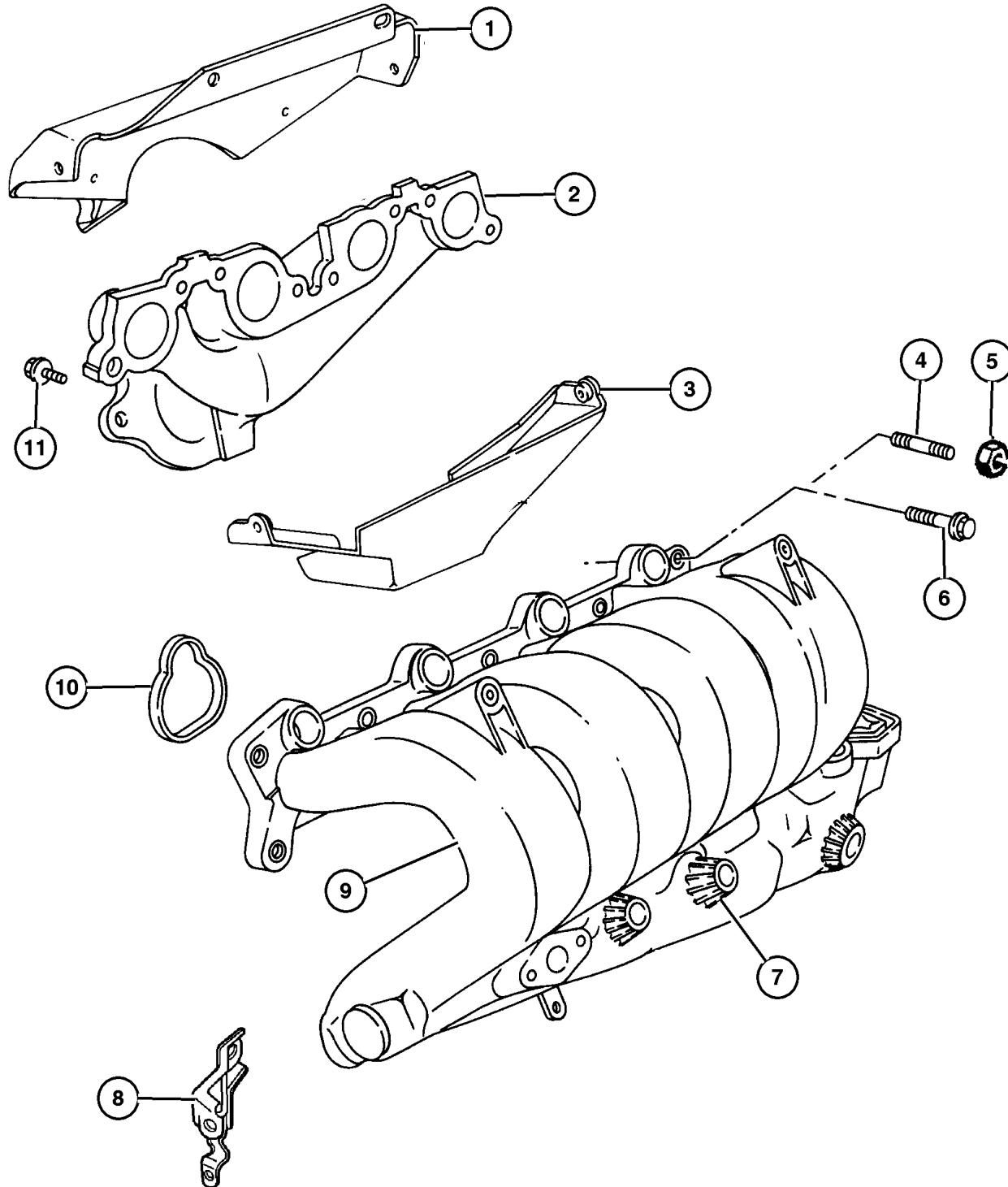
1	4667 884	1		ECB		PUMP, Engine Oil
2	6504 018	1		ECB		PLUG, Oil Drain
3	4777 300AB	1		ECB		PAN, Engine Oil
4	6101 451	13		ECB		SCREW AND WASHER, Hex Head, M6x1x25
5	4667 352	1		ECB		TUBE, Engine Oil Indicator
6	4777 284	1		ECB		INDICATOR, Engine Oil Level
7	4556 666	1		ECB		GASKET, Oil Pan
8	6505 388AA	5		ECB		SCREW, Flange Head, M6x1x18
9	4777 252	1		ECB		TUBE, Oil Pickup
10	6032 920	1		ECB		SEAL, Oil Pick Up Tube
11	6500 070	1		ECB		SCREW AND WASHER, Hex Head, M8x1.25x25
12	4105 409	1		ECB		FILTER, Engine Oil
13	4667 386	1		ECB		ADAPTER, Oil Filter
14	4667 301	1		ECB		CONNECTOR, Oil Filter Adapter
15	4777 425	1		ECB		O RING, Oil Filter Adapter
16	4556 669	1		ECB		COVER, Oil Pump Back
17	4761 538	1		ECB		ROTOR SET, Oil Pump
18	0618 621	1		ECB		CAP, Oil Pressure Relief Valve
19	4777 062	1		ECB		GASKET, Oil Pump Relief Valve
20	1737 744	1		ECB		SPRING, Oil Pressure Relief Valve
21	2843 208	1		ECB		PLUNGER, Oil Pressure Relief Valve
22	6503 257	1		ECB		BOLT, Hex Head, M8x1.25x37.50
23	6503 256	2		ECB		BOLT, Hex Flange Head, M6x1.0x40
24	4483 444AB	1		ECB		O RING, Front Cover Oil Inlet
25	6100 296	2		ECB		BOLT, Hex Head

**DODGE - PLYMOUTH - CHRYSLER NEON (PL)**  
 SERIES LINE BODY ENGINE TRANSMISSION  
 L=Low Line Z=RHD 41 = 4 Door, 104.0WB ECB =2.0L 4 Cyl. SOHC DD5 = 5 Speed Manual  
 H=High Line D= Dodge EBD = 1.8L 4Cyl SOHC DGC = 3 Speed Automatic  
 P= Plymouth DG0 = All Automatic  
 DBB = All Manual

AR = Use as required - = Non illustrated part # = New this model year

May 3, 2002

**Manifolds 2.0L SOHC [ECB]  
Figure 2.0L-811**



ITEM	PART NUMBER	QTY	LINE	ENGINE	TRANS	DESCRIPTION
NOTE: Sales Codes manual, 12 Disc Magazine.						
[ECB]=2.0L Engine manual, 12 Disc Magazine.						
[NAB]=Leaded Fuel. manual, 12 Disc Magazine.						
[NBU]=Ultra Low Emissions. manual, 12 Disc Magazine.						
1						SHIELD, Exhaust Manifold
	#4777 497	1		ECB		
	#4777 600AA	1		ECB		NBU Upper
	#4777 611AA	1		ECB		NBU Lower
2						MANIFOLD, Exhaust
	#4777 619AA	1		ECB		
	#4777 904AA	1		ECB		NBU
3						SHIELD, Exhaust Manifold
	#4777 498	1		ECB		
	#4777 611AA	1		ECB		NBU Lower
4	#6505 314AA	2		ECB		STUD
5	6500 274	1	D, P			LOCK NUT, M6x1.0x6
6	#6505 756AA	5		ECB		BOLT, Hex Flange Head, M6x1.0x40
7	#6505 926AA	4		ECB		BOLT, Hex Head, Knurled Reduction
8	#4777 449AB	1		ECB		BRACKET, Intake Manifold
9	#4777 379	1		ECB		MANIFOLD, Intake
10	4777 895AA	4		ECB		GASKET, Intake Manifold
11	6503 131	8		ECB		BOLT, Hex Flange Head, M8x1.25x30
-12	4667 492	1		ECB		GASKET, Exhaust Manifold
-13						PLUG, Cylinder Block Oil Hole
	6500 362	1		ECB		NAB
	4556 018	2		ECB		

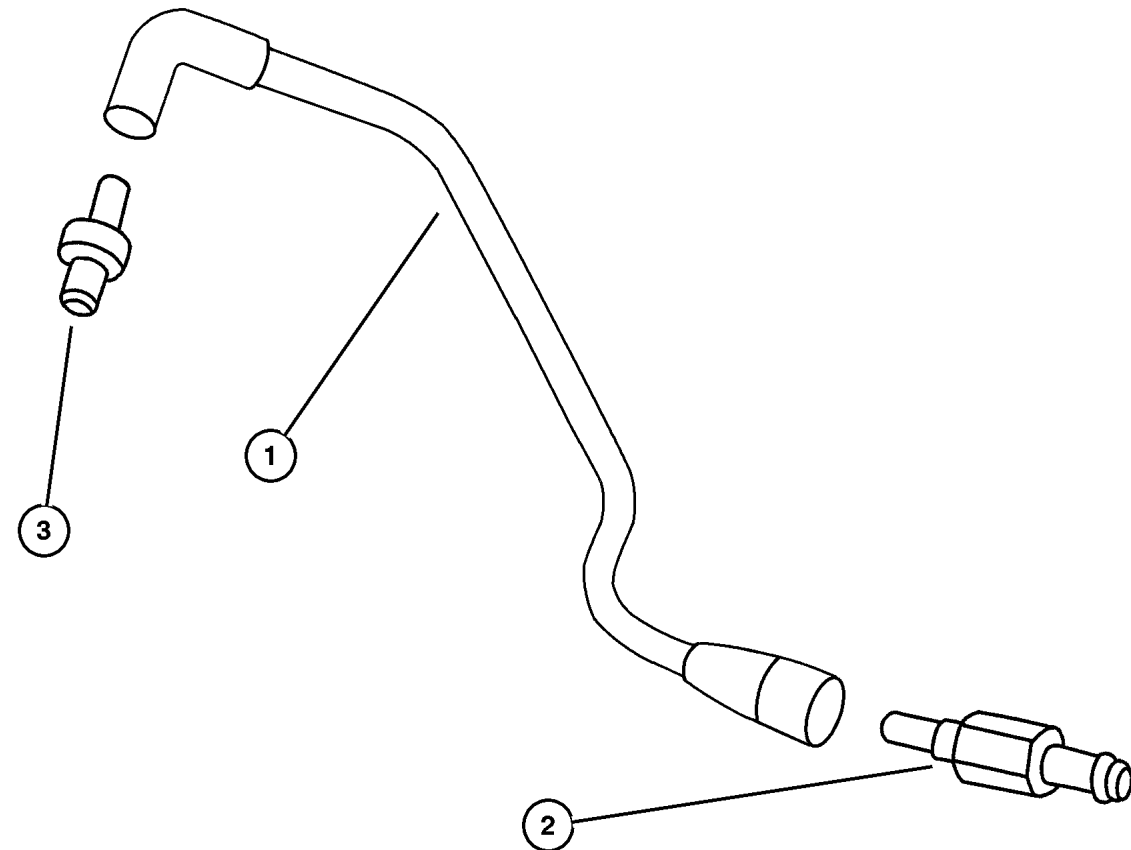
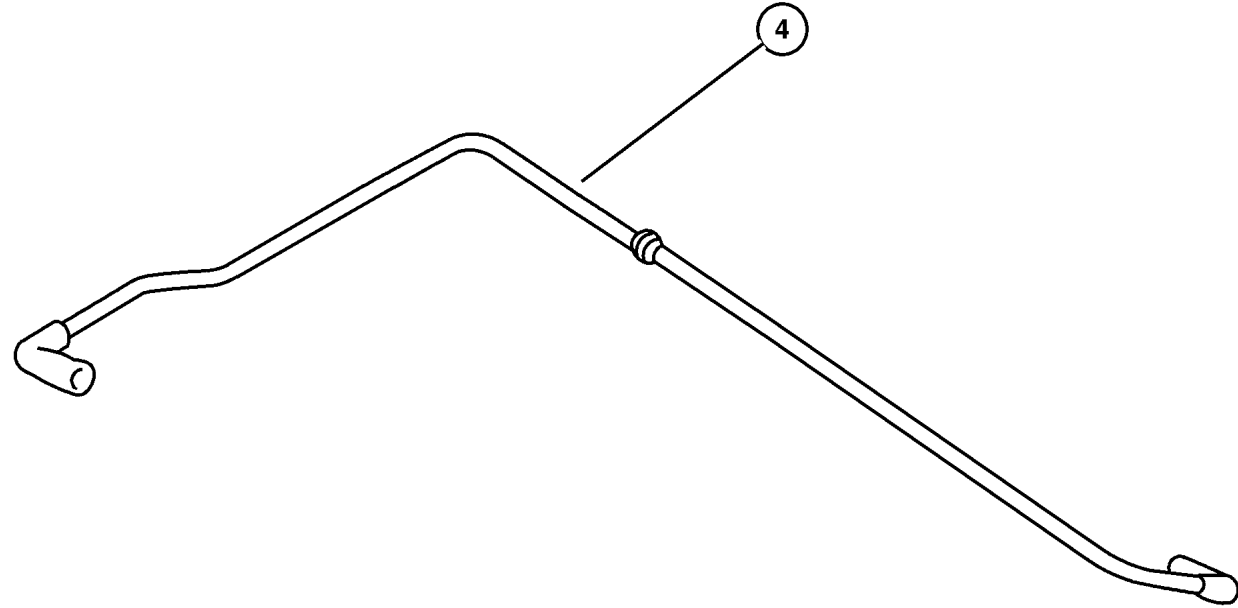
**DODGE - PLYMOUTH - CHRYSLER NEON (PL)**

SERIES	LINE	BODY	ENGINE	TRANSMISSION
L=Low Line	Z= RHD	41 = 4 Door, 104.0WB	ECB =2.0L 4 Cyl. SOHC	DD5 = 5 Speed Manual
H=High Line	D= Dodge		EBD = 1.8L 4Cyl SOHC	DGC = 3 Speed Automatic
	D= Chrysler			DG0 = All Automatic
	P= Plymouth			DBB = All Manual

AR = Use as required - = Non illustrated part # = New this model year

May 3, 2002

**Crankcase Ventilation 2.0L SOHC (ECB)  
Figure 2.0L-911**



ITEM	PART NUMBER	QTY	LINE	ENGINE	TRANS	DESCRIPTION
------	-------------	-----	------	--------	-------	-------------

NOTE: Sales Codes manual, 12 Disc Magazine.  
[EBD]=1.8L Engine. manual, 12 Disc Magazine.  
[ECB]=2.0L Engine manual, 12 Disc Magazine.

1	#4777 501AB	1		ECB		HOSE, Polution Control Valve
2						VALVE, PCV
	#4777 240AC	1		ECB		Up to 10-11-99
	#4777 240AD	1		ECB		After 10-11-99
3	4884 040AA	1		EBD, ECB		RESTRICTOR, PCV
4	#4667 989AB	1		EBD, ECB		HOSE, Make Up Air
-5						FILTER, Crankcase Vent
	#5019 684AA	1		ECB	DGC	
		1		ECB	DD5	

**DODGE - PLYMOUTH - CHRYSLER NEON (PL)**

SERIES	LINE	BODY	ENGINE	TRANSMISSION
L=Low Line	Z= RHD	41 = 4 Door, 104.0WB	ECB =2.0L 4 Cyl. SOHC	DD5 = 5 Speed Manual
H=High Line	D= Dodge		EBD = 1.8L 4Cyl SOHC	DGC = 3 Speed Automatic
	D= Chrysler			DG0 = All Automatic
	P= Plymouth			DBB = All Manuall

AR = Use as required - = Non illustrated part # = New this model year

May 3, 2002

# Group – 011

## Exhaust

### GROUP 11 - Exhaust

Illustration Title

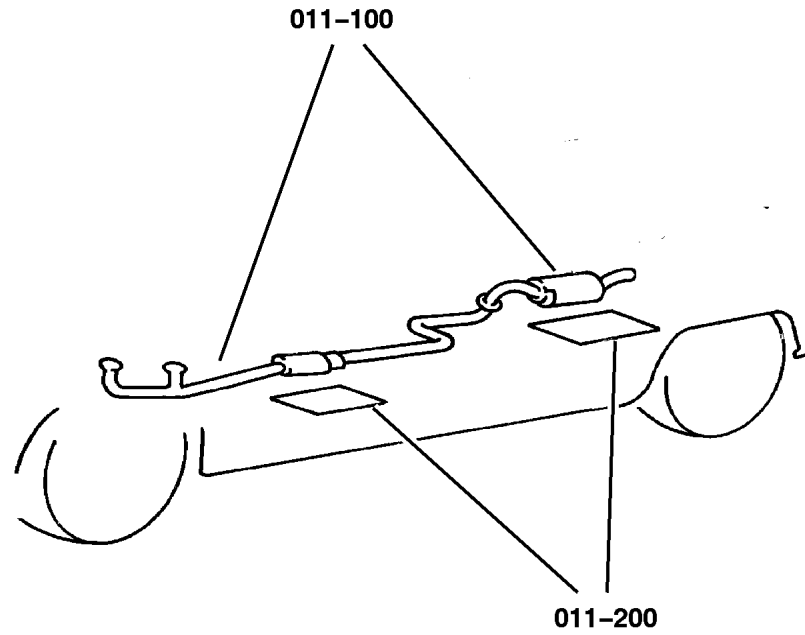
Group-Fig. No.

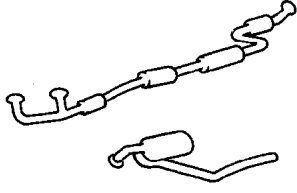
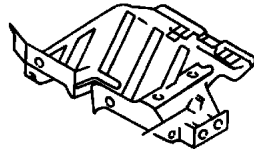
#### Exhaust System

Exhaust System PL ..... Fig. 011-105

#### Heat Shields

Exhaust Shields PL ..... Fig. 011-201



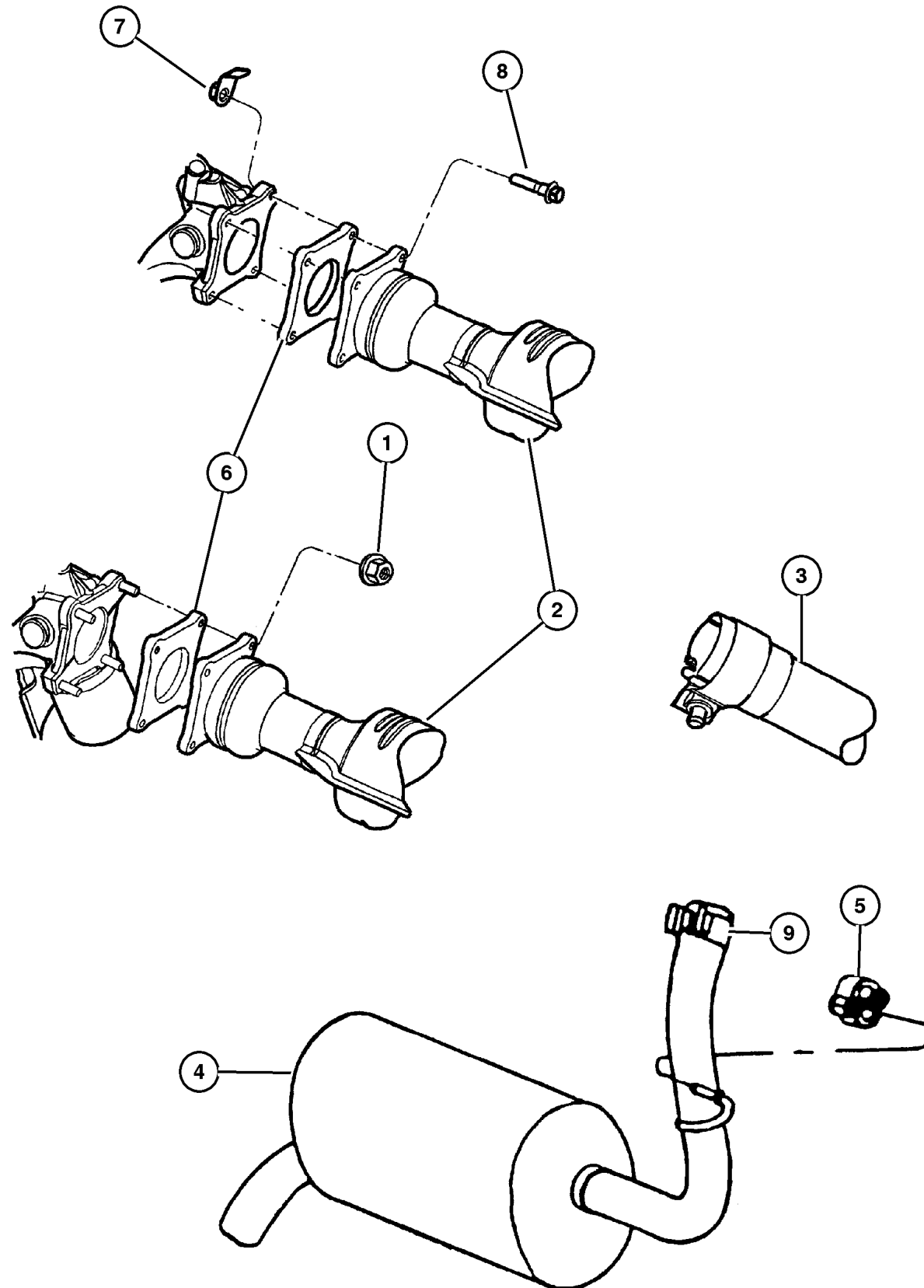
<p><b>011-100</b> Exhaust System</p> 	<p><b>011-200</b> Heat Shields</p> 		
--	--	--	--

**Exhaust System PL**  
**Figure 011-105**

ITEM	PART NUMBER	QTY	LINE	SERIES	BODY	ENGINE	TRANS	DESCRIPTION
------	-------------	-----	------	--------	------	--------	-------	-------------

NOTE: Sales Codes manual, 12 Disc Magazine.  
 [ECB]=2.0L Engine manual, 12 Disc Magazine.  
 [EBD]=1.8L Engine manual, 12 Disc Magazine.  
 [EBT]=1.9L Turbo Diesel manual, 12 Disc Magazine.  
 [NAA]=Federal Emissions manual, 12 Disc Magazine.  
 [NBU]=Ultra Low Emission Vehicle (ULEV). manual, 12 Disc Magazine.  
 [NBV]= Low Emission Vehicle (LEV) manual, 12 Disc Magazine.

1	6100 517	4						NUT, Hex Flange Lock, M8 Phosphate
2								CONVERTER, Catalytic
	#4546 942	1				ECB		NAA,NAC,NAM, w/out NBV,NBU
	#5278 126	1				ECB		NBV
	#5278 233AA	1				EBD		
	#5278 345	1	D, P			ECB	DGC	NBU Automatic
	#5278 450AA	1				EBT		
3	#4546 975	1						PIPE, Exhaust Extension
4								MUFFLER, Exhaust
	#4546 968	1				EBD,		
						ECB		
	#5278 266AA	1				EBT		
5	4495 951	3						INSULATOR, Exhaust
6	4616 671	1						GASKET, Manifold To Exhaust Pipe
7	4682 810AB	4				ECB	DGC	NUT, Hex Flange, M8x1.25
8								SCREW, Hex Flange Head, M8x1.25x35, (NOT SERVICED)
9								CLAMP, Exhaust
	#5278 304AA	1				EBT		
		1				EBD,		
						ECB		



**DODGE - PLYMOUTH - CHRYSLER NEON (PL)**

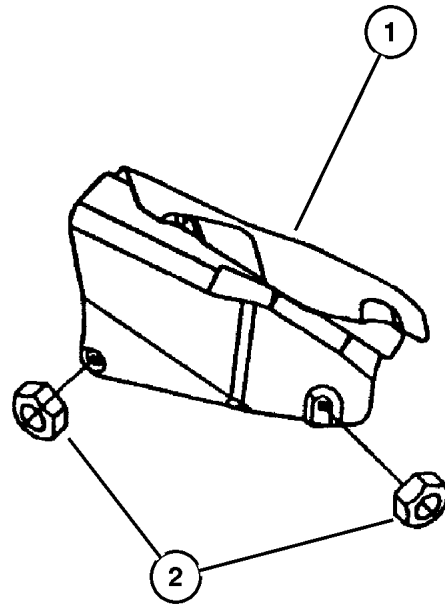
SERIES	LINE	BODY	ENGINE	TRANSMISSION
L=Low Line	Z= RHD	41 = 4 Door, 104.0WB	ECB =2.0L 4 Cyl. SOHC	DD5 = 5 Speed Manual
H=High Line	D= Dodge		EBD = 1.8L 4Cyl SOHC	DGC = 3 Speed Automatic
	D= Chrysler			DG0 = All Automatic
	P= Plymouth			DBB = All Manual

AR = Use as required - = Non illustrated part # = New this model year

May 3, 2002

**Exhaust Shields PL  
Figure 011-201**

ITEM	PART NUMBER	QTY	LINE	SERIES	BODY	ENGINE	TRANS	DESCRIPTION
1	#5278 046	1						SHIELD, Converter Underbody
2	6034 716	2						SCREW AND WASHER, Hex Flange Head, .25-14x.875
-3	4495 876	1						SHIELD, Fuel Tank
-4								SHIELD, Heat
	#4656 672AA	1						Right
	#4656 673AA	1						Left



**DODGE - PLYMOUTH - CHRYSLER NEON (PL)**

SERIES	LINE	BODY	ENGINE	TRANSMISSION
L=Low Line	Z= RHD	41 = 4 Door, 104.0WB	ECB =2.0L 4 Cyl. SOHC	DD5 = 5 Speed Manual
H=High Line	D= Dodge		EBD = 1.8L 4Cyl SOHC	DGC = 3 Speed Automatic
	D= Chrysler			DG0 = All Automatic
	P= Plymouth			DBB = All Manual

AR = Use as required - = Non illustrated part # = New this model year

May 3, 2002

# Group – 013

## Frames and Bumpers

### GROUP 13 - Frames and Bumpers

Illustration Title

Group-Fig. No.

**Frames**

Frame, Front ..... Fig. 013-105

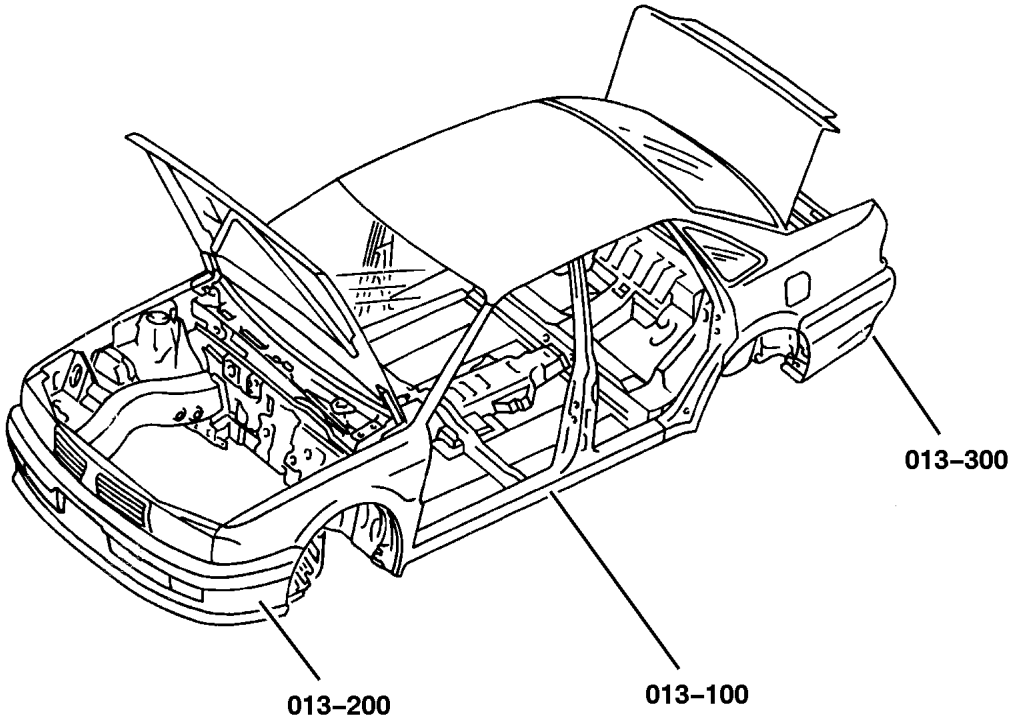
Frame, Rear ..... Fig. 013-135

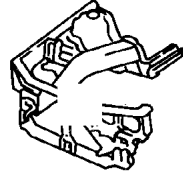
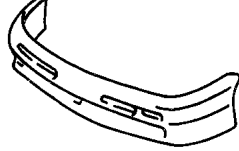

**Front Bumper and Fascia**

Fascia, Front ..... Fig. 013-205

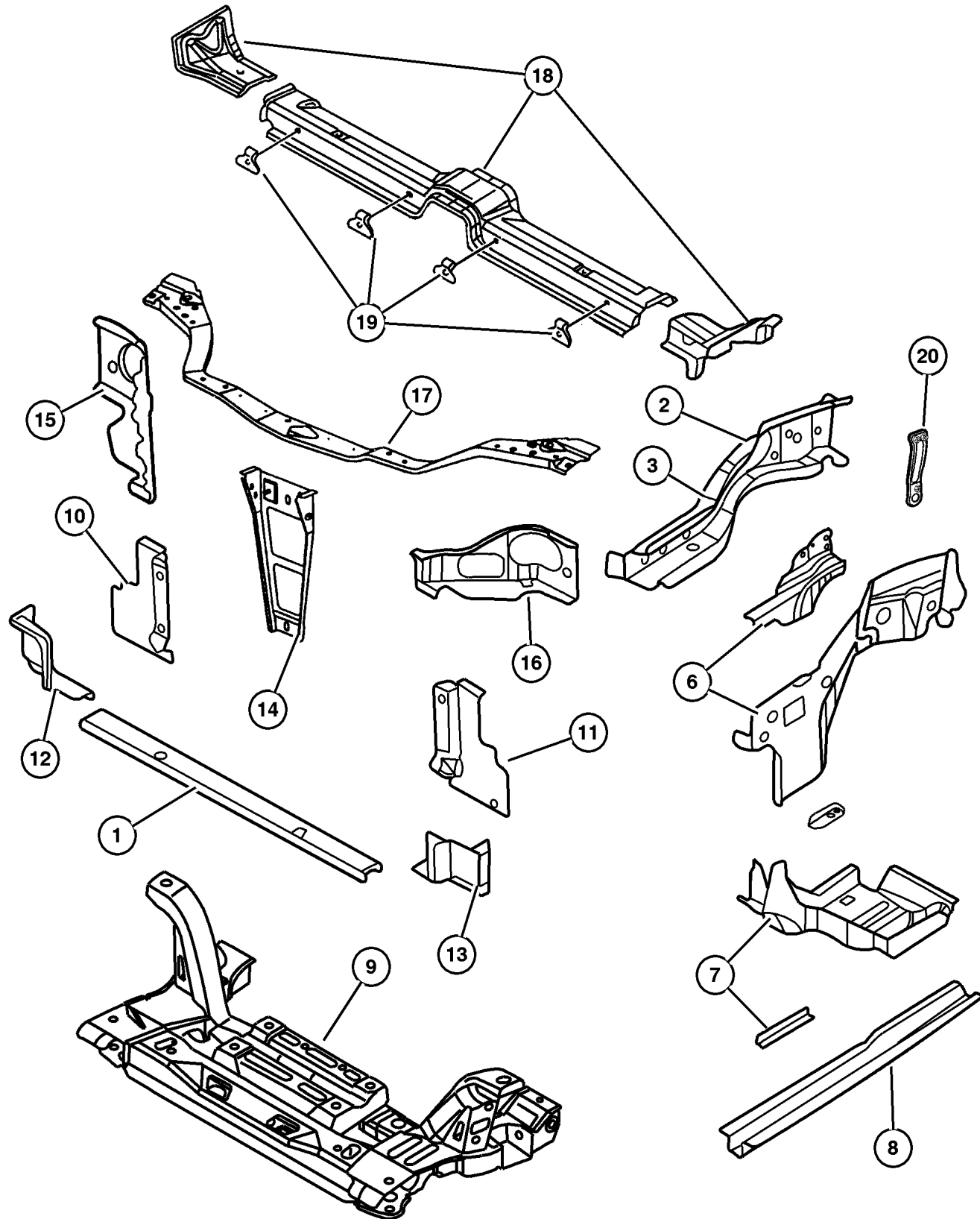
**Rear Bumper and Fascia**

Fascia, Rear ..... Fig. 013-305



<p><b>013-100</b> Frames</p> 	<p><b>013-200</b> Front Bumper and Fascia</p> 	<p><b>013-300</b> Rear Bumper and Fascia</p> 	
--	---	---	--

Frame, Front  
Figure 013-105



ITEM	PART NUMBER	QTY	LINE	SERIES	BODY	DESCRIPTION
1	#4783 295AB	1				CROSSMEMBER, Front Side Rail
2	#4888 858AC	1				RAIL, Front Right
3	#4888 859AC	1				RAIL, Front Left
-4	#6506 038AA	2				SCREW, Hex Head, Crossmember to Side Rail, Front
-5	#6505 595AA	2				NUT, M14X2, Front Crossmember Attaching
6						REINFORCEMENT, Side Rail
	#4783 288AD	1				Right
	#4783 289AD	1				Left
7						RAIL, Front Side Rail Rear
	#4888 956AE	1				Right
	#4888 957AE	1				Left
8	#4783 490	2				EXTENSION, Front Side Rail
9	#5272 238AE	1				CROSSMEMBER, Front Suspension
10	#4783 350	1				PANEL, Radiator Closure, Lower, Right
11	#4783 351	1				PANEL, Radiator Closure, Lower, Left
12	#4783 482	1				BRACE, Radiator Crossmember, Right
13	#4783 483	1				BRACE, Radiator Crossmember, Left
14	#4783 465	1				SUPPORT, Radiator Closure Panel
15	#4783 348AF	1				PANEL, Radiator Closure, Upper, Right
16	#4783 349AC	1				PANEL, Radiator Closure, Upper, Left
17	#4783 466AB	1				CROSSMEMBER, Radiator Closure Panel
18	#5014 424AA	1				CROSSMEMBER, Front Floor, Includes Tapping Plates
19	#4655 601	4				TAPPING PLATE
20	#4888 915AB	1				BRACKET, Towing
-21	6101 462	3				SCREW AND WASHER, Hex Head, M8x1.25x30, Bracket to Rail

DODGE - PLYMOUTH - CHRYSLER NEON (PL)

SERIES	LINE	BODY	ENGINE	TRANSMISSION
L=Low Line	Z= RHD	41 = 4 Door, 104.0WB	ECB =2.0L 4 Cyl. SOHC	DD5 = 5 Speed Manual
H=High Line	D= Dodge		EBD = 1.8L 4Cyl SOHC	DGC = 3 Speed Automatic
	D= Chrysler			DG0 = All Automatic
	P= Plymouth			DBB = All Manual

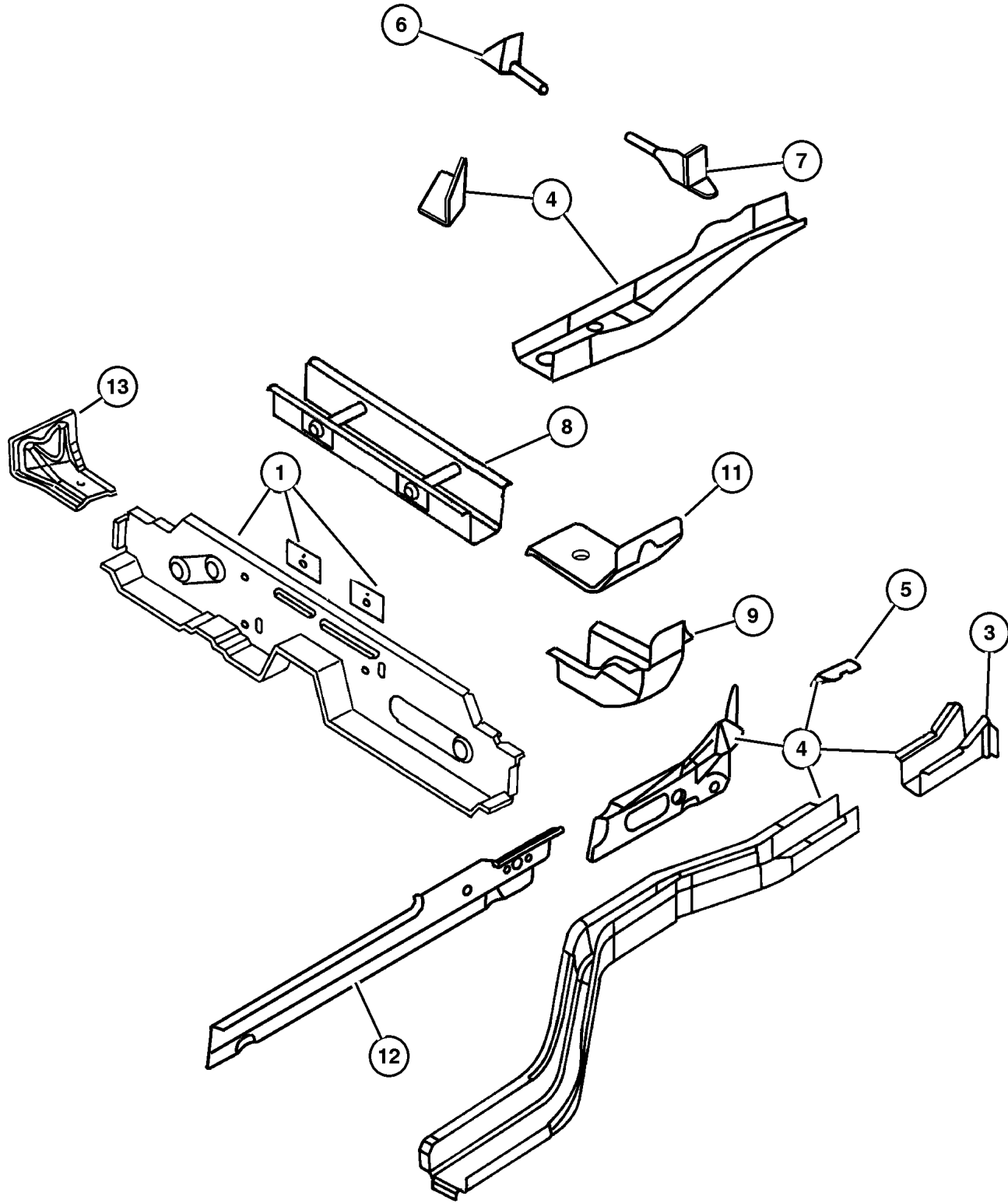
AR = Use as required - = Non illustrated part # = New this model year

May 3, 2002



Frame, Rear  
Figure 013-135

ITEM	PART NUMBER	QTY	LINE	SERIES	BODY	DESCRIPTION
1	#5014 458AC	1				CROSSMEMBER, Rear Floor
-2						CROSSMEMBER, Front Seat Retention, Serviced in Floor Pan Assembly, (NOT SERVICED)
3						REINFORCEMENT, Bumper
	#4888 610AA	1				Right
	#4888 611AA	1				Left
4						RAIL, Rear Floor Pan Side
	#5013 128AC	1				Right
	#5013 129AC	1				Left
5	4655 307	2				T PLATE, Rear Rail Rear Suspension Sway Bar
6						BRACKET, Exhaust Hanger
	#4783 612AB	1				Rear, Right
	#4783 613	1				Rear, Left
7	#4783 615AC	1				BRACKET, Exhaust Hanger, Front
8	#4783 316AB	1				CROSSMEMBER, Rear Suspension, Center
9	#4783 361	2				CROSSMEMBER, Rear Suspension, Outer
-10	#4783 608	1				PLATE, Towing
11	#4888 624AA	2				PLATE, Crossmember to Rail
12						SILL, Body Side
	#5013 126AC	1				Right
	#5013 127AC	1				Left
13						BRACE, Floor Pan To Sill
	#4783 740	1				Right
	#4783 741	1				Left
-14						BOLT, M10-1.50x105, Rear Bracket to Rail Attaching EXPORT, (NOT SERVICED)



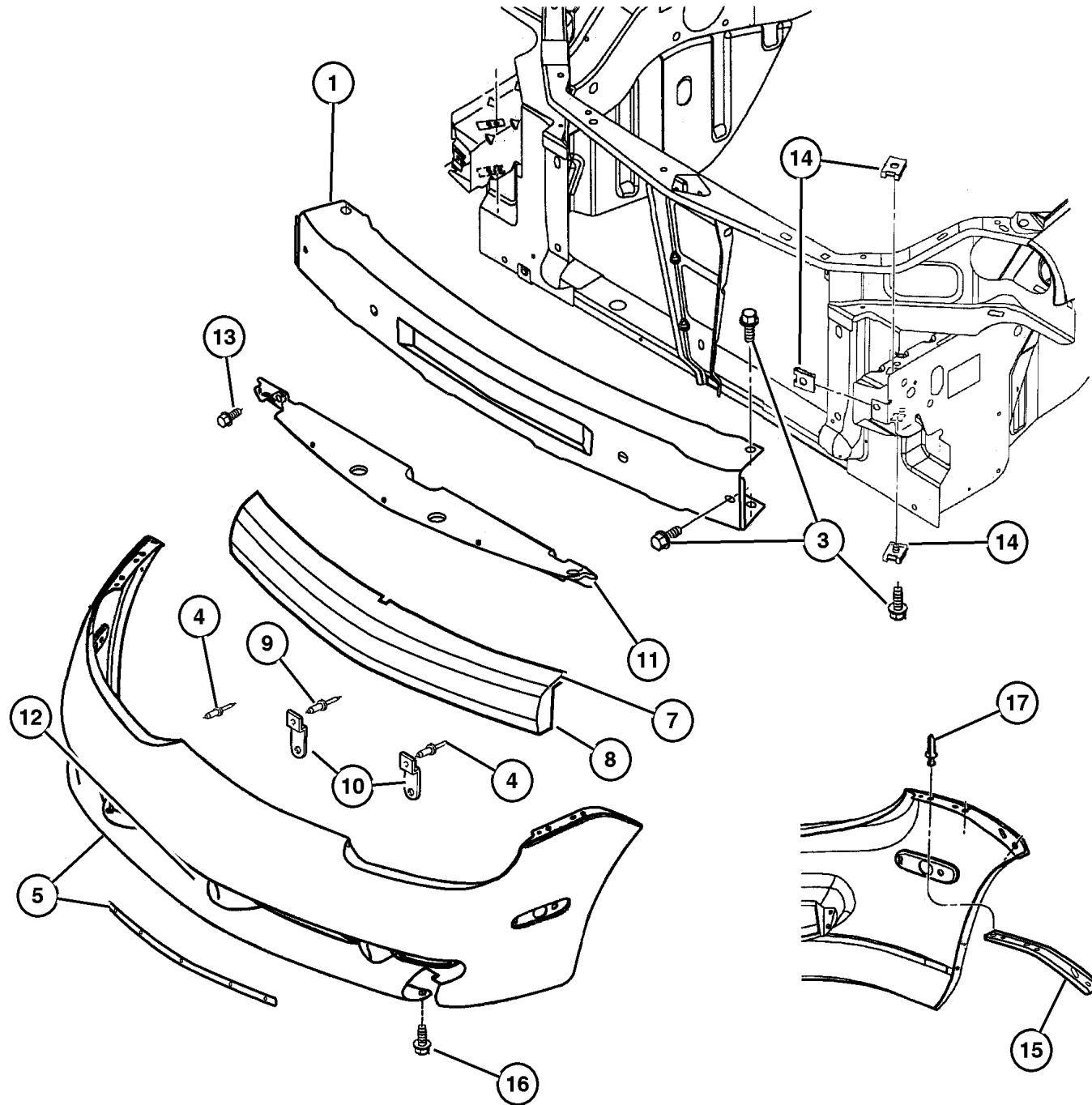
DODGE - PLYMOUTH - CHRYSLER NEON (PL)

SERIES	LINE	BODY	ENGINE	TRANSMISSION
L=Low Line	Z= RHD	41 = 4 Door, 104.0WB	ECB =2.0L 4 Cyl. SOHC	DD5 = 5 Speed Manual
H=High Line	D= Dodge		EBD = 1.8L 4Cyl SOHC	DGC = 3 Speed Automatic
	D= Chrysler			DG0 = All Automatic
	P= Plymouth			DBB = All Manual

AR = Use as required - = Non illustrated part # = New this model year

May 3, 2002

## Fascia, Front Figure 013-205



ITEM	PART NUMBER	QTY	LINE	SERIES	BODY	DESCRIPTION
NOTE: Sales Codes: manual, 12 Disc Magazine.						
[MLD] - FASCIA - MOLDED-IN-COLOR, FRONT manual, 12 Disc Magazine.						
[MLW] - FASCIA - FRONT W/WIDE LICENSE POCKET manual, 12 Disc Magazine.						
[MLX] - FASCIA - FRONT, PAINTED manual, 12 Disc Magazine.						
1	#5288 938AA	1				REINFORCEMENT, Front Bumper
-2	#5288 939AA	1				STRAP, Reinforcement
3	#6505 082AA	8				SCREW AND WASHER, Hex Head, M8x1.25x54
4	6500 898	4				RIVET, M4.95x25
5						FASCIA, Front, Primed
	#5014 480AC	1				[MLX,MLD]
	#5014 544AC	1				[MLW] - Wide License Pocket PUERTO RICO
	#5014 557AC	1				[MLW] - Wide License Pocket EUROPE
-6						PLUG, Front Fascia
	#5288 822AA	1				Right
	#5288 823AA	1				Left
	#5288 834AA	1				Fascia Pocket - EXPORT, Right
	#5288 835AA	1				Fascia Pocket - EXPORT, Left
7	#5288 559	1				FOAM, Front Bumper, [MLD, MLX]
8	#5288 804AA	1				FOAM, Front Bumper Fascia, [MLW]
9	6034 944	1				RIVET, Blind, .187x.54, Fascia to Strap
10	#5288 562	2				BRACKET, Fascia
11	#5288 555	1				AIR DAM
12						BRACKET, License Plate
	#SB93 DX9AA	1	D, P			
	5288 487	1	Z			
	55155 764AB	1				Japan
13	#6505 529AA	4				SCREW, Hex Flange Head Tapping, M6.3 x 1.81 x 22.5
14	6101 283	6				U-NUT, M8x1.25
15						RETAINER, Fascia
	#5288 560	1				Right
	#5288 561	1				Left
16						SCREW, M4.8X1.59X13.00~~, (NOT SERVICED)
17	6035 414	4				RIVET, Blind, .12x.47

**DODGE - PLYMOUTH - CHRYSLER NEON (PL)**

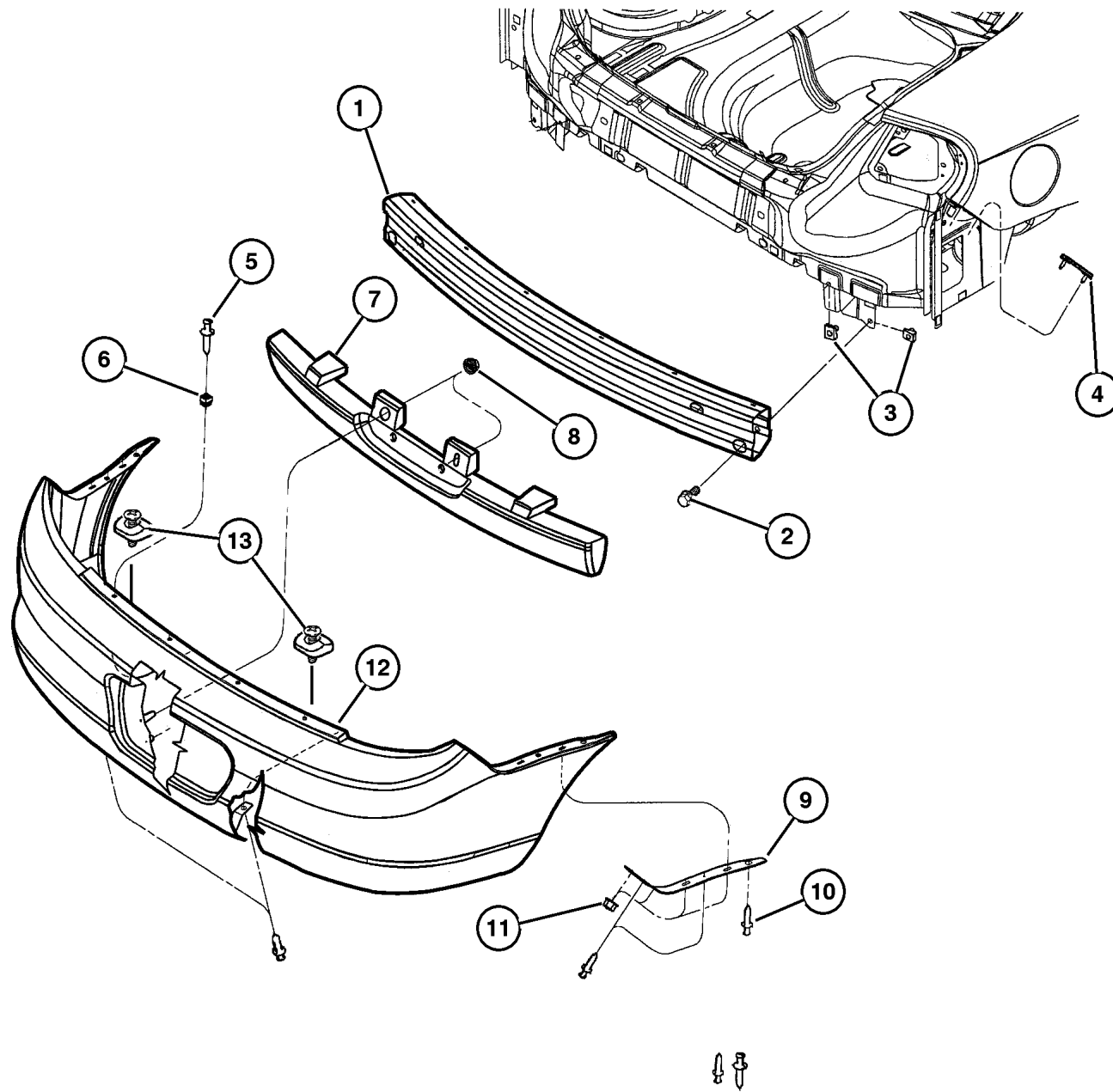
SERIES	LINE	BODY	ENGINE	TRANSMISSION
L=Low Line	Z= RHD	41 = 4 Door, 104.0WB	ECB =2.0L 4 Cyl. SOHC	DD5 = 5 Speed Manual
H=High Line	D= Dodge		EBD = 1.8L 4Cyl SOHC	DGC = 3 Speed Automatic
	D= Chrysler			DG0 = All Automatic
	P= Plymouth			DBB = All Manual

AR = Use as required - = Non illustrated part # = New this model year

May 3, 2002

## Fascia, Rear Figure 013-305

ITEM	PART NUMBER	QTY	LINE	SERIES	BODY	DESCRIPTION
NOTE: Sales Codes: manual, 12 Disc Magazine.						
[MLP] - FASCIA -FRONT & REAR W/ACCENT STRIPE manual, 12 Disc Magazine.						
[MLR] - FASCIA - REAR, PAINTED manual, 12 Disc Magazine.						
1	#5288 566	1				REINFORCEMENT, Rear Bumper
2	#6101 804	4				SCREW AND WASHER, Hex Head, M8x1.25x30
3	6101 283	6				U-NUT, M8x1.25
4	6035 414	6				RIVET, Blind, .12x.47
5	6034 701	4				SCREW, .250-14x.875
6						NUT, (NOT SERVICED)
7	#5288 570	1				FOAM AND TAPE, Fascia
8	6035 342	2				NUT/SPRING, Push On, ID .315 OD 1.375 THK .017
9						RETAINER, Fascia
	#5288 568	1				Right
	#5288 569	1				Left
10	#6505 138AA	2				PIN, Push In, M10 x 32.70
11	6503 102	2				NUT AND WASHER, Hex Nut-Coned Washer, M6 x 1.00
12						FASCIA, Rear, Primed
	#5012 901AB	1				[MLR]
	#5012 902AB	1				[MLP], Export
13	#5008 374AB	2				BUMPER, Deck Lid Overslam



**DODGE - PLYMOUTH - CHRYSLER NEON (PL)**

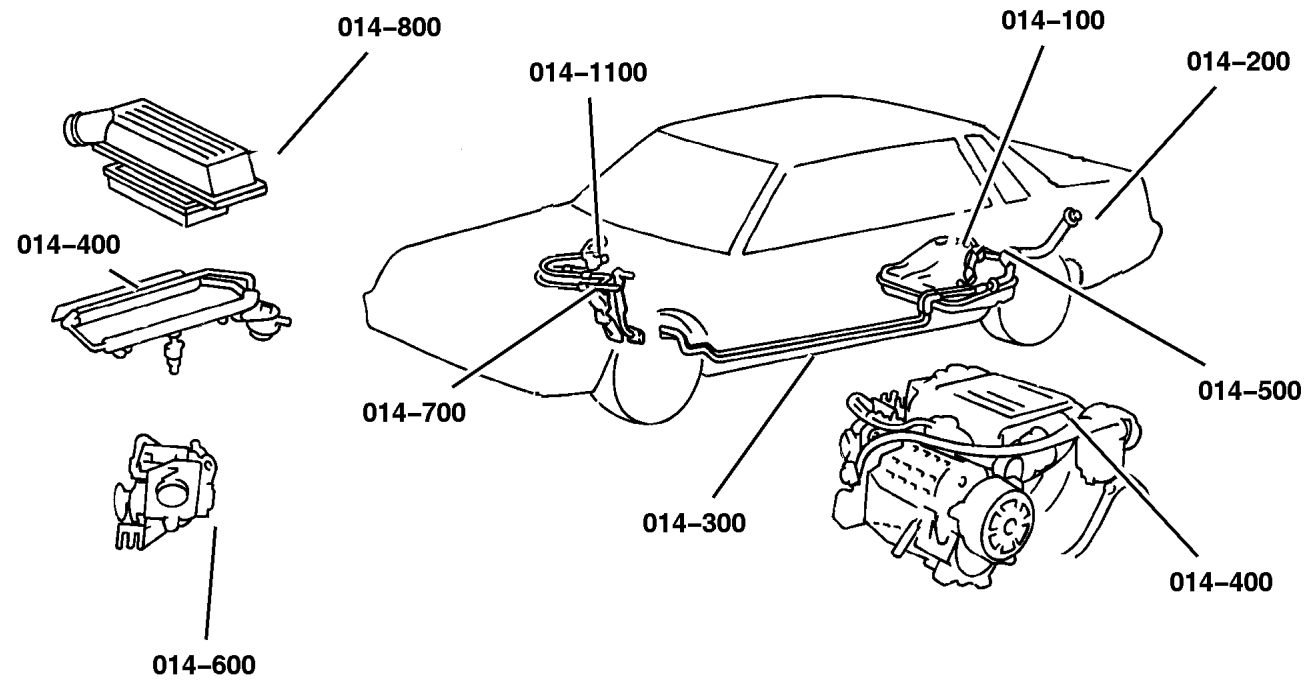
SERIES	LINE	BODY	ENGINE	TRANSMISSION
L=Low Line	Z= RHD	41 = 4 Door, 104.0WB	ECB =2.0L 4 Cyl. SOHC	DD5 = 5 Speed Manual
H=High Line	D= Dodge		EBD = 1.8L 4Cyl SOHC	DGC = 3 Speed Automatic
	D= Chrysler			DG0 = All Automatic
	P= Plymouth			DBB = All Manual

AR = Use as required - = Non illustrated part # = New this model year

May 3, 2002

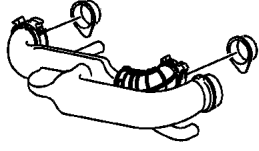
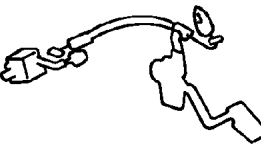

# Group – 014

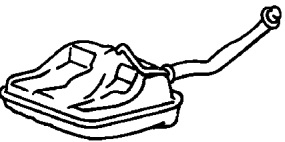
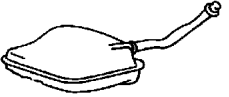
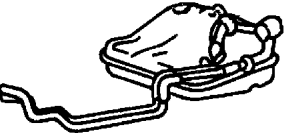
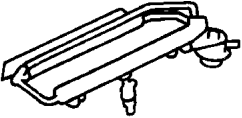
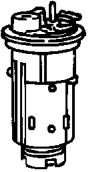

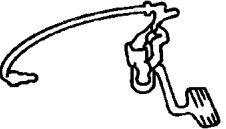
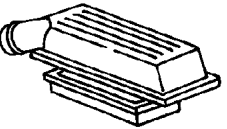
## Fuel



# Group – 014

## Fuel

<b>014-900</b> Air Intake System 	<b>014-1000</b> Speed Control 	<b>014-1100</b> Accelerator Pedal 	
--	---	---	--

<b>014-100</b> Tank, Fuel 	<b>014-200</b> Fuel Tank Filler Tube 	<b>014-300</b> Fuel Lines 	<b>014-400</b> Fuel Rail 
<b>014-500</b> Fuel Pump and Sending Unit 	<b>014-600</b> Throttle Body 	<b>014-700</b> Throttle Controls 	<b>014-800</b> Air Cleaner 

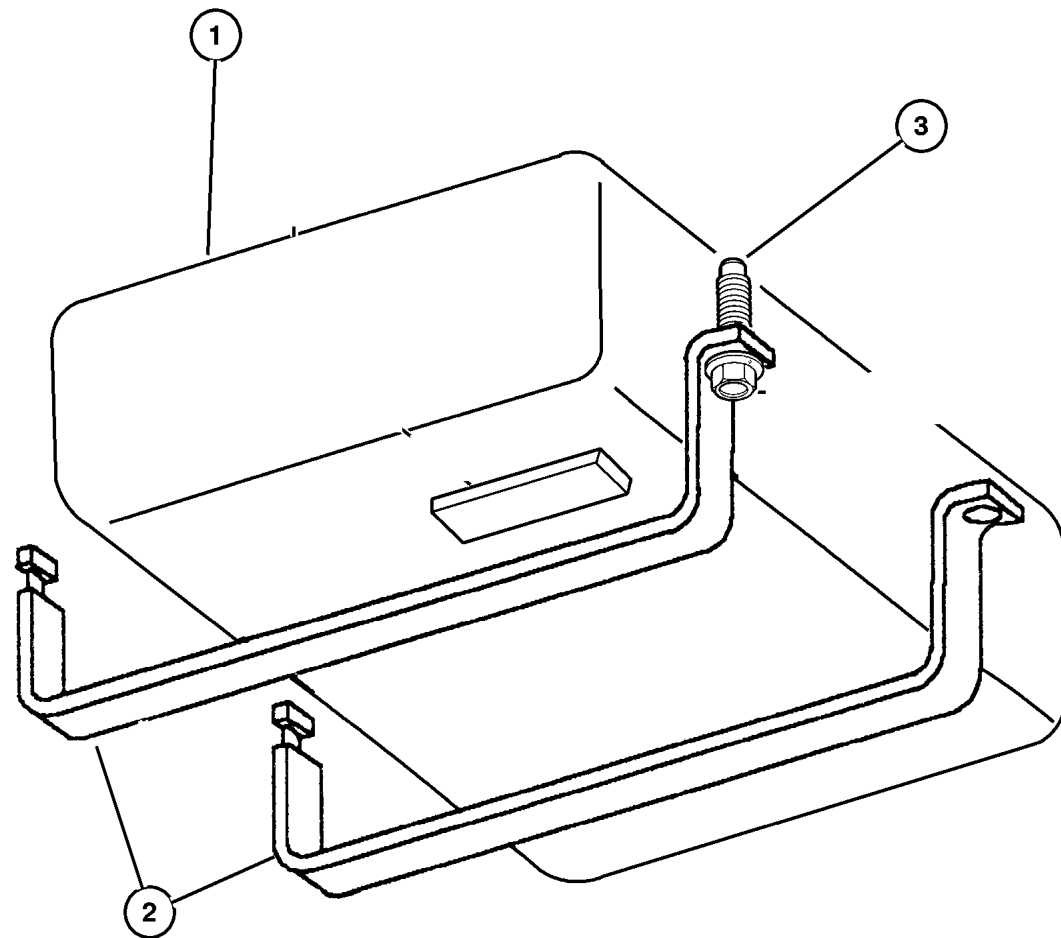
---

## GROUP 14 - Fuel

Illustration Title	Group-Fig. No.
<b>Tank, Fuel</b>	
Fuel Tank PL .....	Fig. 014-101
<b>Fuel Tank Filler Tube</b>	
Fuel Filler Tube PL .....	Fig. 014-201
<b>Fuel Lines</b>	
Fuel Lines PL .....	Fig. 014-301
<b>Fuel Rail</b>	
Fuel Rail PL .....	Fig. 014-401
<b>Fuel Pump and Sending Unit</b>	
Fuel Pump and Sending Unit PL .....	Fig. 014-501
<b>Throttle Body</b>	
Throttle Body PL .....	Fig. 014-601
<b>Throttle Controls</b>	
Throttle Controls PL .....	Fig. 014-701
<b>Air Cleaner</b>	
Air Cleaner PL .....	Fig. 014-801
<b>Air Intake System</b>	
Air Intake PL .....	Fig. 014-901
<b>Speed Control</b>	
Speed Control PL .....	Fig. 014-1001
<b>Accelerator Pedal</b>	
Accelerator Pedal PL .....	Fig. 014-1101



## Fuel Tank PL Figure 014-101



ITEM	PART NUMBER	QTY	LINE	SERIES	BODY	ENGINE	TRANS	DESCRIPTION
NOTE: Sales Codes manual, 12 Disc Magazine.								
[EBD]=1.8L Engine manual, 12 Disc Magazine.								
[EBT]=1.9L Turbo Diesel manual, 12 Disc Magazine.								
[ECB]=2.0L Engine manual, 12 Disc Magazine.								
[NAA]= Federal Emissions manual, 12 Disc Magazine.								
[NAE]=California Emissions manual, 12 Disc Magazine.								
1	#5278 057	1						TANK, Fuel NAA, NAE Federal or California Emissions
	#5278 171AA	1				EBT		12.5 Gallon Tank (Diesel)
		1				EBD, ECB		Export 12.5 Gallon Tank exclude Mexico
	#5017 443AA	1				EBD,		NAB Leaded Fuel
	#5278 171AA	1				ECB EBD, ECB, ECH		NAC European II
	#5017 209AA	1						NAA, NBV, NBU Federal Low, and Ultra Low Emission
2	#5278 012	1						STRAP, Fuel Tank Right
	#5278 013	1						Left
3	6502 863	1						SCREW AND WASHER, Hex Head, M8x1.25x35
-4								CAP, Fuel Tank Drain, (NOT REQUIRED)
-5	#5278 683AA	1				EBD, ECB		SHIELD, Heat
	#5278 684AA	1				EBD, ECB		Extension

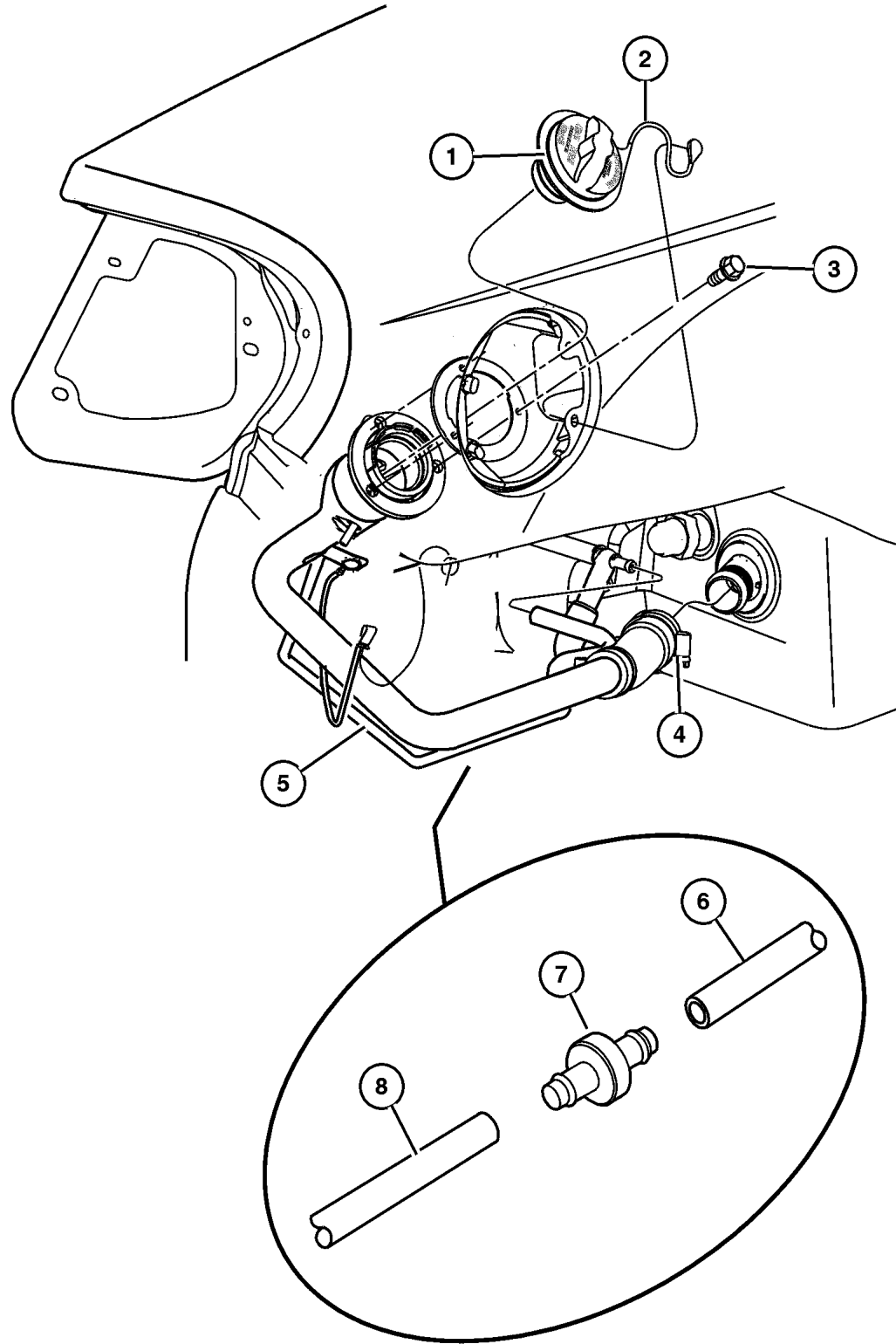
### DODGE - PLYMOUTH - CHRYSLER NEON (PL)

SERIES	LINE	BODY	ENGINE	TRANSMISSION
L=Low Line	Z= RHD	41 = 4 Door, 104.0WB	ECB =2.0L 4 Cyl. SOHC	DD5 = 5 Speed Manual
H=High Line	D= Dodge		EBD = 1.8L 4Cyl SOHC	DGC = 3 Speed Automatic
	D= Chrysler			DG0 = All Automatic
	P= Plymouth			DBB = All Manual

AR = Use as required - = Non illustrated part # = New this model year

May 3, 2002

Fuel Filler Tube PL  
Figure 014-201



ITEM	PART NUMBER	QTY	LINE	SERIES	BODY	ENGINE	TRANS	DESCRIPTION
NOTE: Part Number 05015636AB is a package which contains the gas cap and lock cylinder uninstalled. The dealer keys the lock cylinder to the ignition key.								
NOTE: Sales Codes n key.								
[ECB] = 2.0L 4 Cylinder SOHC 16V SMPI Engine n key.								
[EJD] = 1.6L 4 Cylinder SOHC 16V SMPI Engine n key.								
1								CAP, Fuel Filler
	#5278 632AA	1						Locking
	#5278 679AA	1						TETHER, Fuel Filler Cap
2	4682 676	1						SCREW, Round Head, .164-15x1.00
3	0154 806	3						CLAMP, Hose
4	6505 322AA	1						TUBE, Fuel Filler ORVR
5	#4546 935AB	1						NON_ORVR
	#5278 307AD	1						HOSE, Fuel Filler Tube
6	#5278 749AA	1						VALVE, Check
7	#5278 660AA	1						HOSE, Fuel Filler Tube Vent
8	#5278 459AA	2						LABEL, Unleaded Fuel Only
-9	4206 059	1				EBD, ECB		
	4696 849	1				EBD, ECB		Canada
-10	4853 321AA	1						LABEL, Fuel, Mexico Only

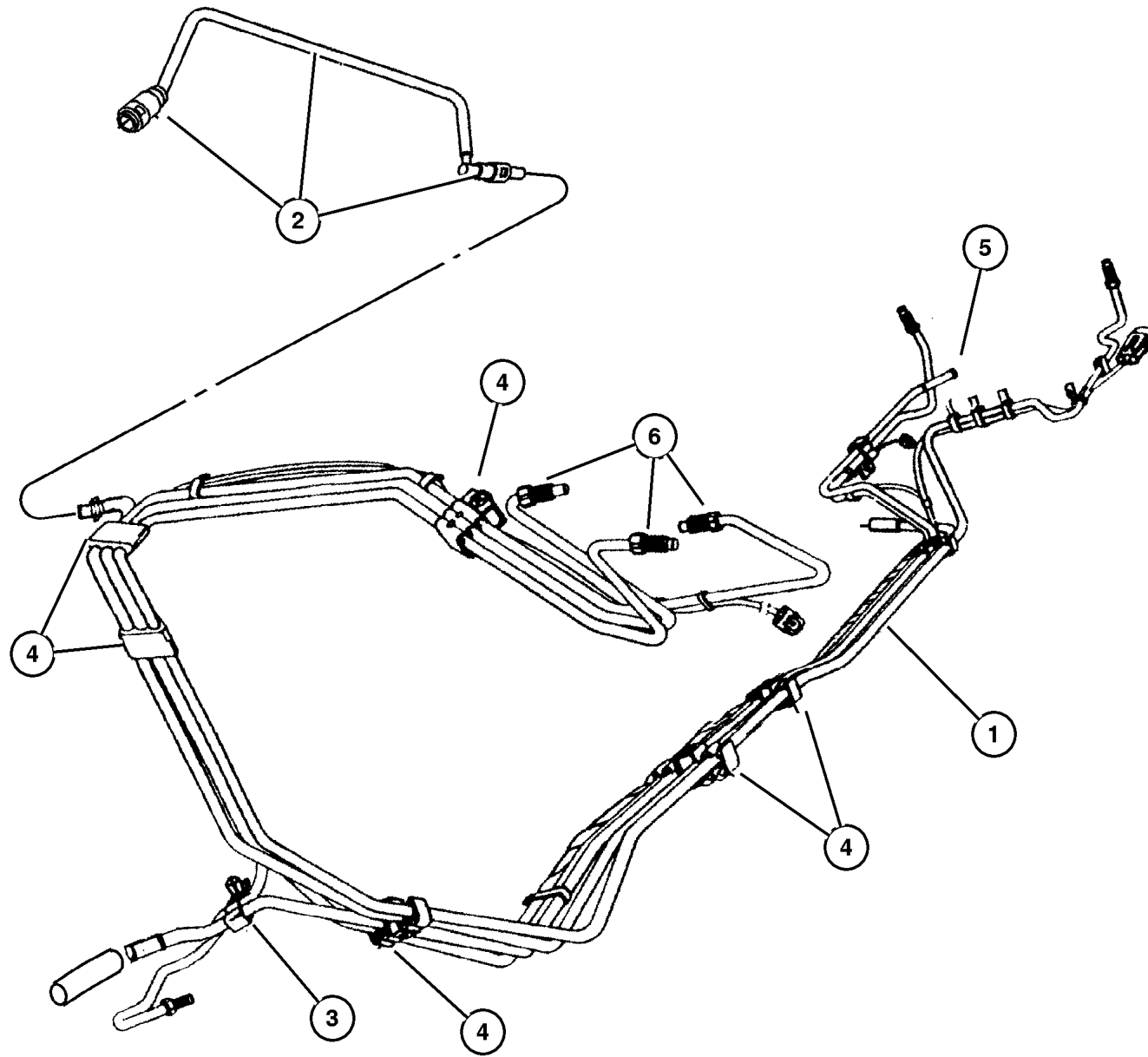
DODGE - PLYMOUTH - CHRYSLER NEON (PL)

SERIES	LINE	BODY	ENGINE	TRANSMISSION
L=Low Line	Z= RHD	41 = 4 Door, 104.0WB	ECB =2.0L 4 Cyl. SOHC	DD5 = 5 Speed Manual
H=High Line	D= Dodge		EBD = 1.8L 4Cyl SOHC	DGC = 3 Speed Automatic
	D= Chrysler			DG0 = All Automatic
	P= Plymouth			DBB = All Manual

AR = Use as required - = Non illustrated part # = New this model year

May 3, 2002

## Fuel Lines PL Figure 014-301



ITEM	PART NUMBER	QTY	LINE	SERIES	BODY	ENGINE	TRANS	DESCRIPTION
NOTE: Sales Codes n key. [EBD]=1.8L Engine n key. [EBT]=1.9L Turbo Diesel n key. [ECB]=2.0L Engine n key. [ECH]=2.0L Hi/Perf Engine n key.								
1	#4882 229	1	D, P			EBD, ECB		TUBE, Fuel Supply Left Hand Drive
	#5015 352AA	1	Z			EBD, ECB		European, Right Hand Drive
2	#4546 938AC	1	Z			EBD, ECB		TUBE, Fuel Supply Right Hand Drive
	#5278 492AB	1	D, P			EBD, ECB, ECH		Left Hand Drive
3	4495 636	4	D, P			ECB, ECH		CLIP, Tube Rail-kick up
		3	Z			EBD, ECB		Rail-kick up
4	#5278 179AA	1	D, P			ECB, ECH		CLIP, Fuel Tube 7-tube
		1	Z			EBD, ECB		7-tube
	#5278 180AA	4	D, P			ECB, ECH		5-tube
		4	Z			EBD, ECB		5-tube
	#5278 181AA	2	D, P			ECB, ECH		3-tube
		2	Z			EBD, ECB		3-tube
	#5278 182AA	1	D, P			ECB, ECH		4-tube
	#5278 218AB	1	Z			EBD, ECB		4-tube
	#5278 496AA	1	D, P			ECB, ECH		1-tube
5	#5278 164AA	1				EBT		TUBE, Fuel Vapor

**DODGE - PLYMOUTH - CHRYSLER NEON (PL)**

SERIES	LINE	BODY	ENGINE	TRANSMISSION
L=Low Line	Z= RHD	41 = 4 Door, 104.0WB	ECB =2.0L 4 Cyl. SOHC	DD5 = 5 Speed Manual
H=High Line	D= Dodge		EBD = 1.8L 4Cyl SOHC	DGC = 3 Speed Automatic
	D= Chrysler			DG0 = All Automatic
	P= Plymouth			DBB = All Manual

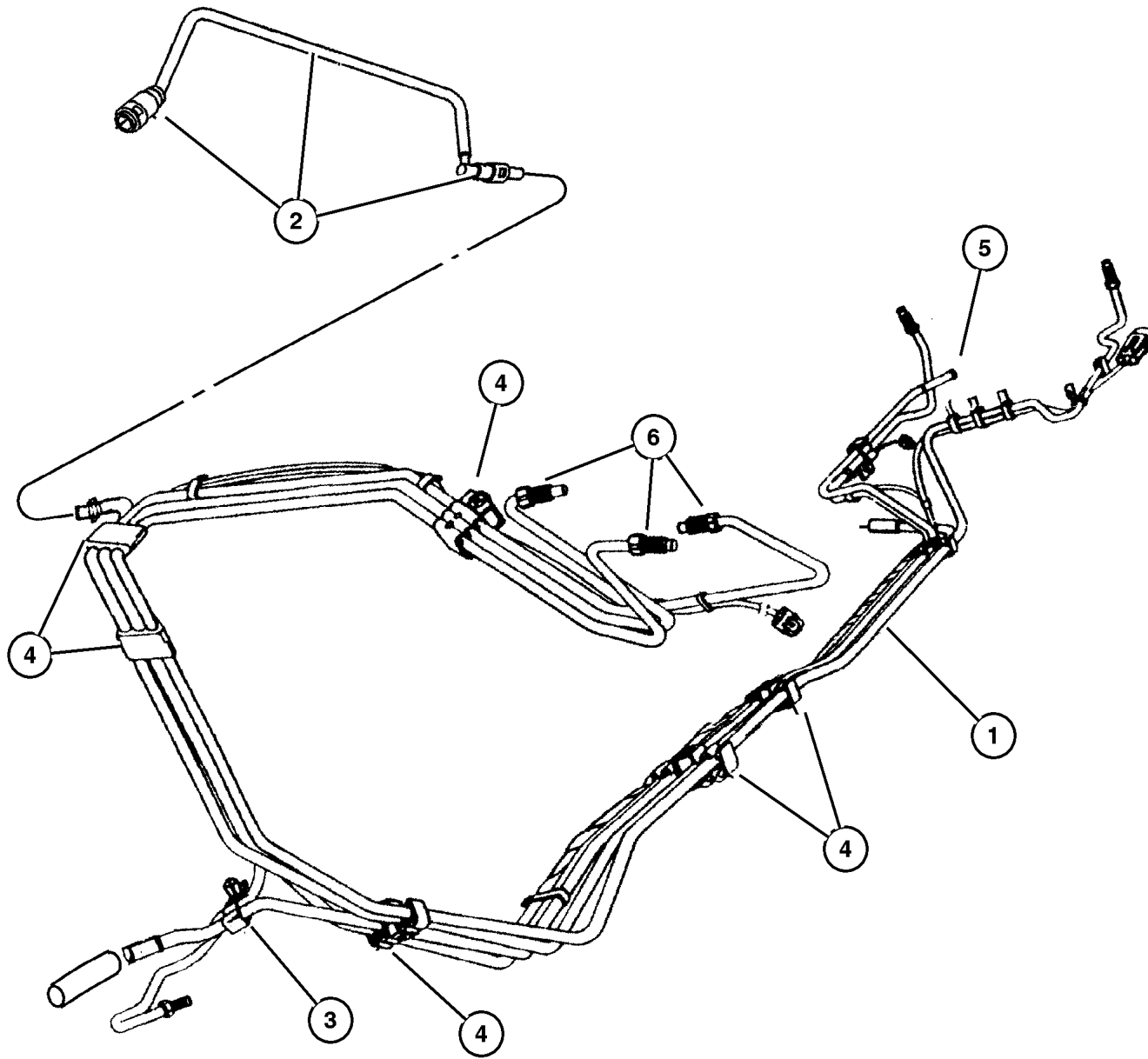
AR = Use as required - = Non illustrated part # = New this model year

May 3, 2002



Fuel Lines PL  
Figure 014-301

ITEM	PART NUMBER	QTY	LINE	SERIES	BODY	ENGINE	TRANS	DESCRIPTION
	#4883 310	1	D, P			EBD, ECB		Left Hand Drive
	#5015 353AA	1	Z			EBD, ECB		Right Hand Drive
6								NUT
	#6036 125AA	1	D, P			EBD, ECB, ECH		.375-24x.850
		1	Z			EBD, ECB		.375-24x.850
	#6036 126AA	1	D, P			EBD, ECB, ECH		.437-24x.825
		1	Z			EBD, ECB		.437-24x.825
	#6036 157AA	1	D, P			EBD, ECB, ECH		.437-24x.850
		1	Z			EBD, ECB		.437-24x.850

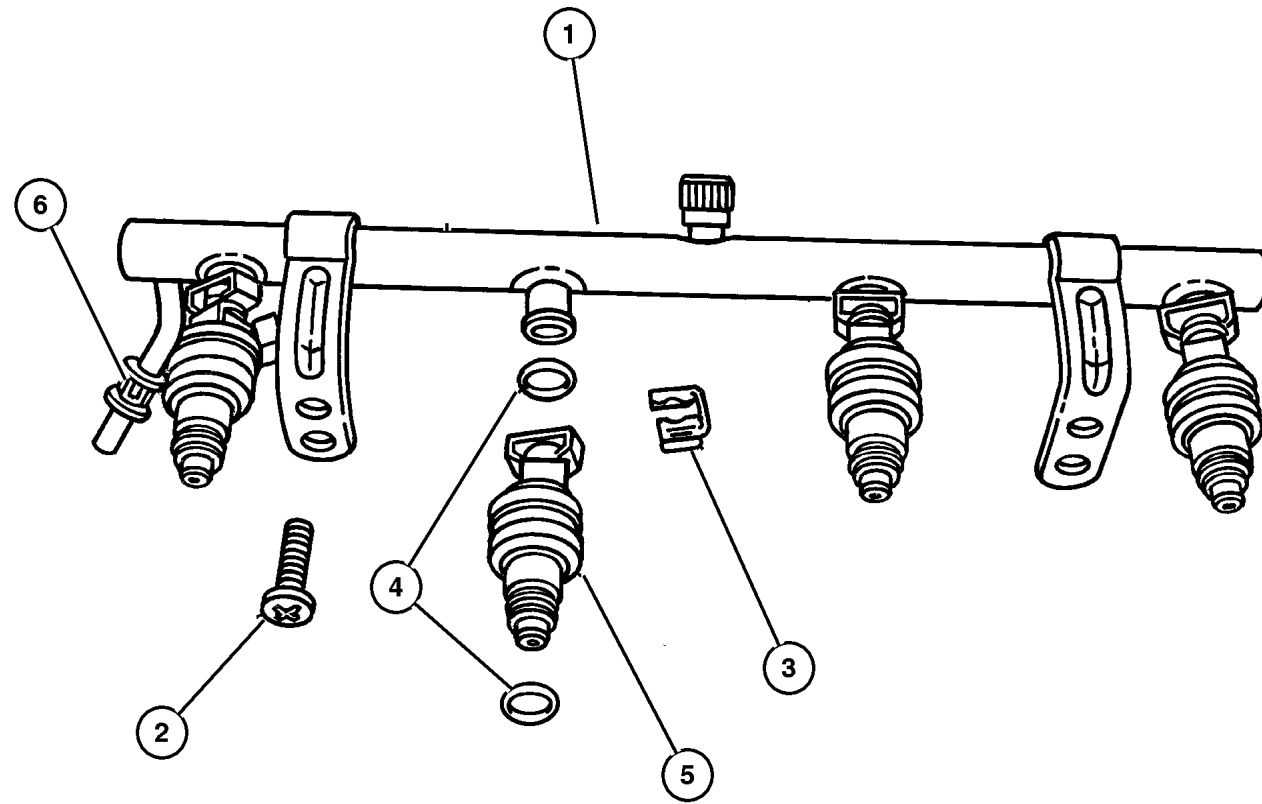


DODGE - PLYMOUTH - CHRYSLER NEON (PL)  
 SERIES LINE BODY ENGINE TRANSMISSION  
 L=Low Line Z= RHD 41 = 4 Door, 104.0WB ECB =2.0L 4 Cyl. SOHC DD5 = 5 Speed Manual  
 H=High Line D= Dodge EBD = 1.8L 4Cyl SOHC DGC = 3 Speed Automatic  
 P= Plymouth DBB = All Manual

AR = Use as required - = Non illustrated part # = New this model year

May 3, 2002

**Fuel Rail PL  
Figure 014-401**



ITEM	PART NUMBER	QTY	LINE	SERIES	BODY	ENGINE	TRANS	DESCRIPTION
NOTE: Sales Codes n key. [EBD]=1.8L Engine. n key. [ECB]=2.0L Engine. n key.								
1	#5014 312AA	1				ECB		RAIL, Fuel
		1				EBD		
2	6101 506	2				ECB		BOLT AND CONED WASHER, M8x1.25x18
		2				EBD		
3	4418 257	4				ECB		CLIP, Fuel Injector
		4				EBD		
4	4897 125AA	4				ECB		O RING KIT, Fuel Injector
		4				EBD		
5	4669 772	4				ECB		INJECTOR, Fuel
		4				EBD		
6								RETAINER, Quick Connect, 3/8, (NOT SERVICED)

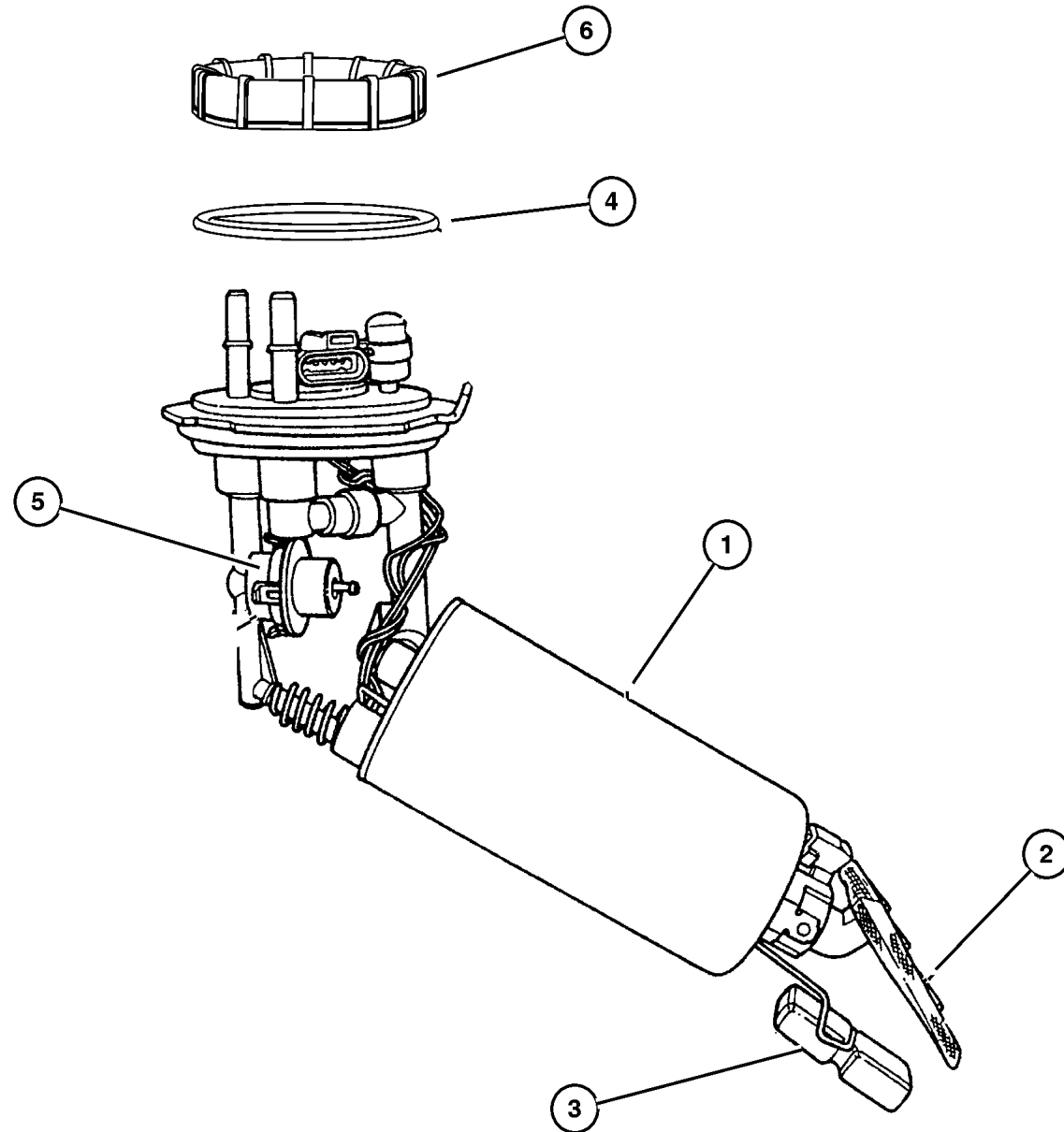
**DODGE - PLYMOUTH - CHRYSLER NEON (PL)**

SERIES	LINE	BODY	ENGINE	TRANSMISSION
L=Low Line	Z= RHD	41 = 4 Door, 104.0WB	ECB =2.0L 4 Cyl. SOHC	DD5 = 5 Speed Manual
H=High Line	D= Dodge		EBD = 1.8L 4Cyl SOHC	DGC = 3 Speed Automatic
	D= Chrysler			DG0 = All Automatic
	P= Plymouth			DBB = All Manual

AR = Use as required - = Non illustrated part # = New this model year

May 3, 2002

## Fuel Pump and Sending Unit PL Figure 014-501



ITEM	PART NUMBER	QTY	LINE	SERIES	BODY	ENGINE	TRANS	DESCRIPTION
NOTE: Sales Codes n key.								
[EBD]=1.8L Engine. n key.								
[EBT]=1.9L Turbo Diesel Engine. n key.								
[ECB]=2.0L Engine. n key.								
1								MODULE KIT, Fuel Pump/Level Unit
	#5014 351AA	1						
	#5014 355AA	1				EBT		Diesel
	#5015 263AA	1						Mexico Only
2								FILTER KIT, Fuel
	4897 419AA	1				EBD, ECB		
	5010 476AA	1						Mexico Only
	#5014 371AA	1				EBT		Diesel
3								LEVEL UNIT KIT, Fuel
	#5014 353AA	1						
	#5014 356AA	1				EBT		Diesel
4	4546 692	1						SEAL, Fuel Pump and Level Unit
5	4546 610	1						FILTER, Fuel Pressure Regulator
6	5200 5389	1						NUT, Fuel Pump Module

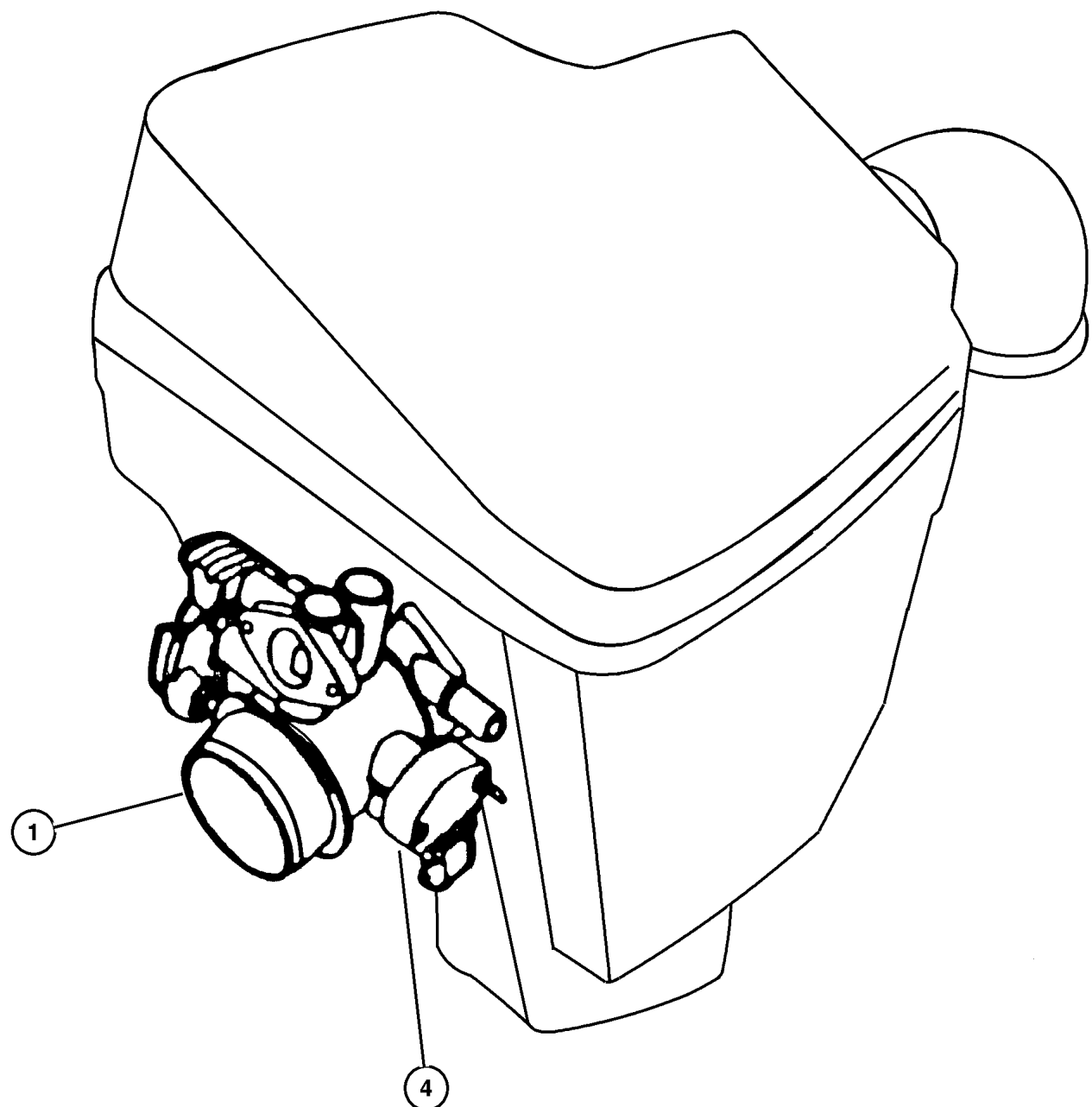
### DODGE - PLYMOUTH - CHRYSLER NEON (PL)

SERIES	LINE	BODY	ENGINE	TRANSMISSION
L=Low Line	Z= RHD	41 = 4 Door, 104.0WB	ECB =2.0L 4 Cyl. SOHC	DD5 = 5 Speed Manual
H=High Line	D= Dodge		EBD = 1.8L 4Cyl SOHC	DGC = 3 Speed Automatic
	D= Chrysler			DG0 = All Automatic
	P= Plymouth			DBB = All Manual

AR = Use as required - = Non illustrated part # = New this model year

May 3, 2002

**Throttle Body PL  
Figure 014-601**



ITEM	PART NUMBER	QTY	LINE	SERIES	BODY	ENGINE	TRANS	DESCRIPTION
------	-------------	-----	------	--------	------	--------	-------	-------------

NOTE: Sales Codes n key.  
 [DD5]=5 Speed Manual Trans n key.  
 [DGC]=Automatic Trans. n key.  
 [EBD]=1.8L Engine n key.  
 [ECB]=2.0L Engine n key.

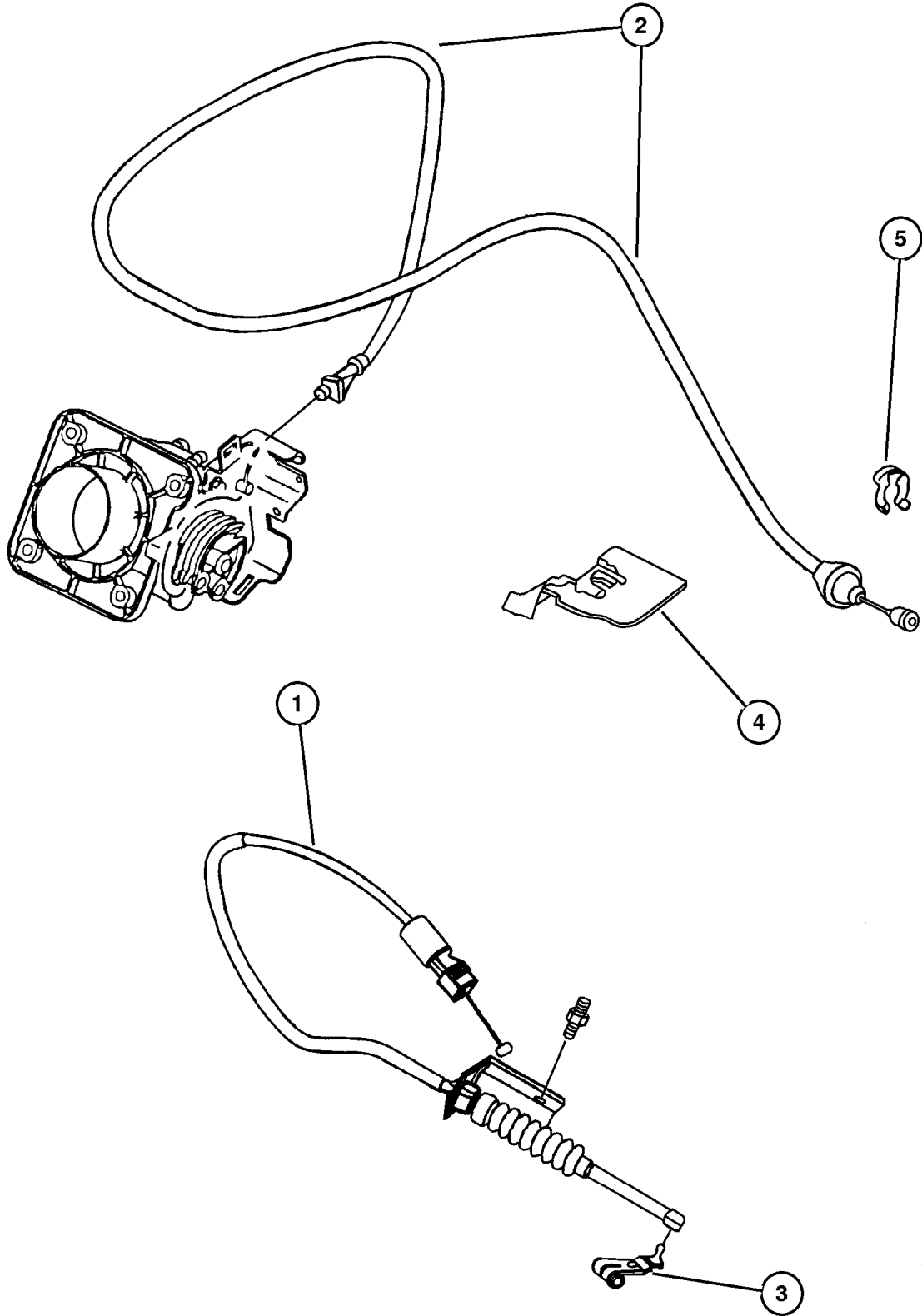
1								THROTTLE BODY
	#4669 894AB	1				EBD, ECB	DD5	Manual Trans
	#4891 096AB	1				EBD, ECB	DGC	Automatic Trans
-2								SCREW, Hex Flange Head, M6.3x1.81x16
	6101 976	3				EBD, ECB	DD5	
						EBD, ECB	DGC	
-3	#5014 285AA	1				EBD, ECB	DD5	MOTOR KIT, A.I.S.
4	4874 430AB	1				EBD, ECB	DD5	SENSOR KIT, Throttle Position

DODGE - PLYMOUTH - CHRYSLER NEON (PL)				
SERIES	LINE	BODY	ENGINE	TRANSMISSION
L=Low Line	Z= RHD	41 = 4 Door, 104.0WB	ECB =2.0L 4 Cyl. SOHC	DD5 = 5 Speed Manual
H=High Line	D= Dodge		EBD = 1.8L 4Cyl SOHC	DGC = 3 Speed Automatic
	D= Chrysler			DG0 = All Automatic
	P= Plymouth			DBB = All Manual

AR = Use as required - = Non illustrated part # = New this model year

May 3, 2002

**Throttle Controls PL  
Figure 014-701**



ITEM	PART NUMBER	QTY	LINE	SERIES	BODY	ENGINE	TRANS	DESCRIPTION
NOTE: Sales Codes n key.								
[DD5]=Manual 5 Speed Trans. n key.								
[DGC]=Automatic Trans. n key.								
1	#4891 365AA	1					DGC	CABLE, Auto. Trans. Kickdown
2								CABLE, Throttle Control
	#4669 790AC	1	D, P				DGC	
	#4669 967AB	1	Z				DGC	
	#4891 250AB	1	Z				DD5	
	#4891 251AC	1	D, P				DD5	
3	#5240 826AB	1					DGC	LEVER
4	#4669 966AB	1						SHIELD, Throttle Control
5	5214 613	1						RETAINER, Throttle Cable

**DODGE - PLYMOUTH - CHRYSLER NEON (PL)**

SERIES	LINE	BODY	ENGINE	TRANSMISSION
L=Low Line	Z= RHD	41 = 4 Door, 104.0WB	ECB =2.0L 4 Cyl. SOHC	DD5 = 5 Speed Manual
H=High Line	D= Dodge		EBD = 1.8L 4Cyl SOHC	DGC = 3 Speed Automatic
	D= Chrysler			DG0 = All Automatic
	P= Plymouth			DBB = All Manual

AR = Use as required - = Non illustrated part # = New this model year

## Air Cleaner PL Figure 014-801

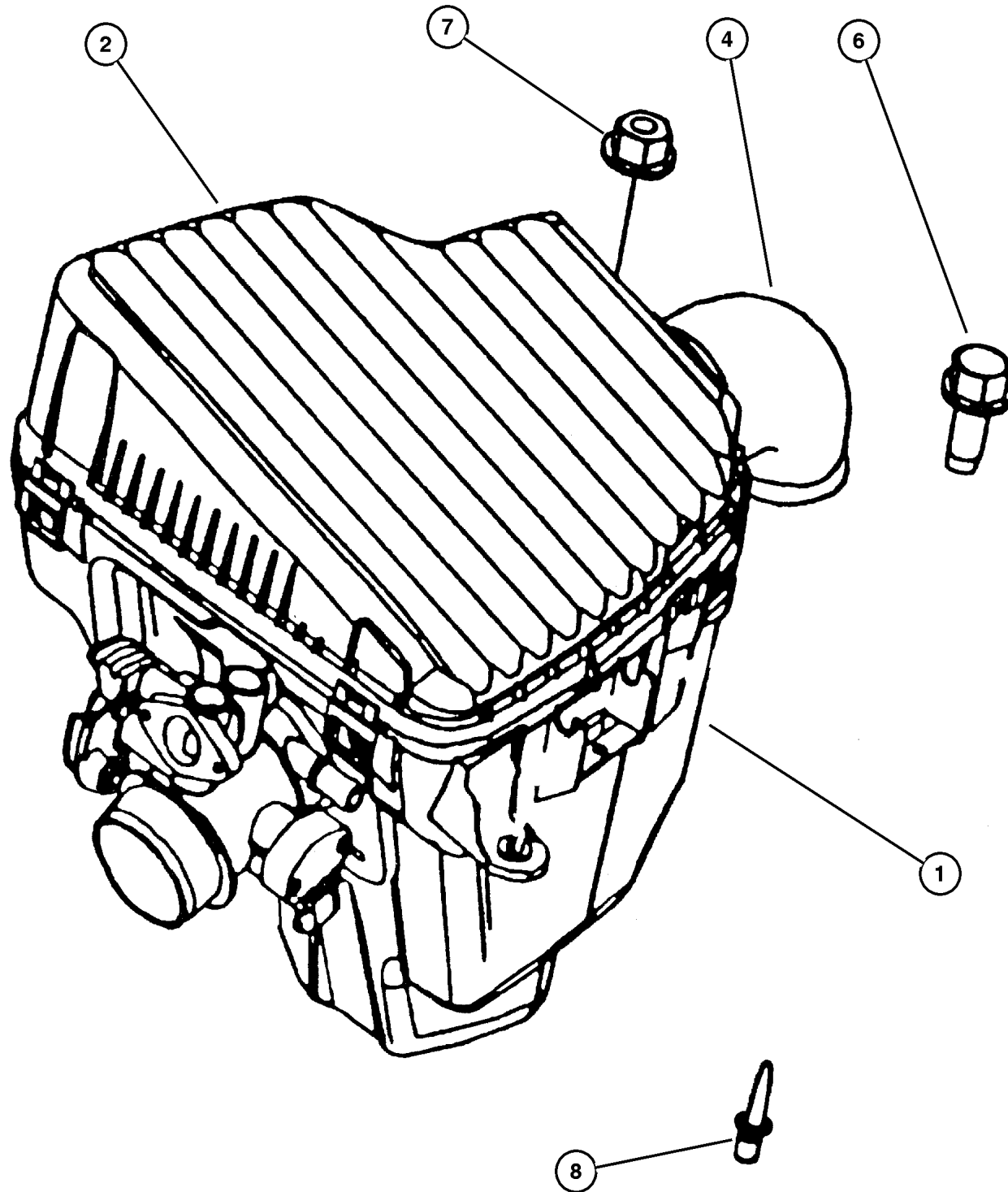
ITEM	PART NUMBER	QTY	LINE	SERIES	BODY	ENGINE	TRANS	DESCRIPTION
NOTE: Sales Codes n key.								
[DD5]=Manual 5 Speed Trans. n key.								
[DGC]=Automatic Trans n key.								
[EBD]=1.8L Engine. n key.								
[EBT]= 1.9L Turbo Diesel Engine n key.								
[ECB]=2.0L Engine. n key.								
[ECH]=2.0L Hi/Perf Engine.. n key.								
1	#4891 317AA	1				EBD, ECB	DGC	BODY, Air Cleaner
2	#4891 021AA	1				EBD, ECB	DD5	COVER, Air Cleaner
-3	#4891 097AA	1				EBD, ECB	DGC	FILTER, Air
4	#4891 097AB	1				EBT		DUCT, Air Cleaner to Resonator w/Sensor, Air Temp.
	#4891 097AA	1				ECB	DD5	
	#4891 032AA	1				EBD, ECB	DD5	w/Sensor, Air Temp.
		1				EBD, ECB	DGC	w/Sensor, Air Temp.
-5	#4891 356AB	1				ECB		COVER, Injector Harness
	#4891 357AA	1				EBD		
	#4891 410AB	1				ECH		
6	#6102 039AA	1						SCREW, Air Cleaner Mounting - Frt., M6. 3x1.81x30.00
7	3420 1358	1						NUT AND WASHER, Hex Nut-Sealing Washer, M6 x 1.00
8	6503 846	1						STUD, Single Ended, Knurled, Pilot Point, M6x1.00x20.00
-9	#5066 221AA	5				ECB	DD5	SCREW, Air Cleaner Cover
		5				ECB	DGC	
-10	4669 177	2						GROMMET, Air Cleaner Bracket
-11	4300 052	1				EBD, ECB		BUMPER, Air Cleaner to Rocker

**DODGE - PLYMOUTH - CHRYSLER NEON (PL)**

SERIES	LINE	BODY	ENGINE	TRANSMISSION
L=Low Line	Z= RHD	41 = 4 Door, 104.0WB	ECB =2.0L 4 Cyl. SOHC	DD5 = 5 Speed Manual
H=High Line	D= Dodge		EBD = 1.8L 4Cyl SOHC	DGC = 3 Speed Automatic
	D= Chrysler			DG0 = All Automatic
	P= Plymouth			DBB = All Manual

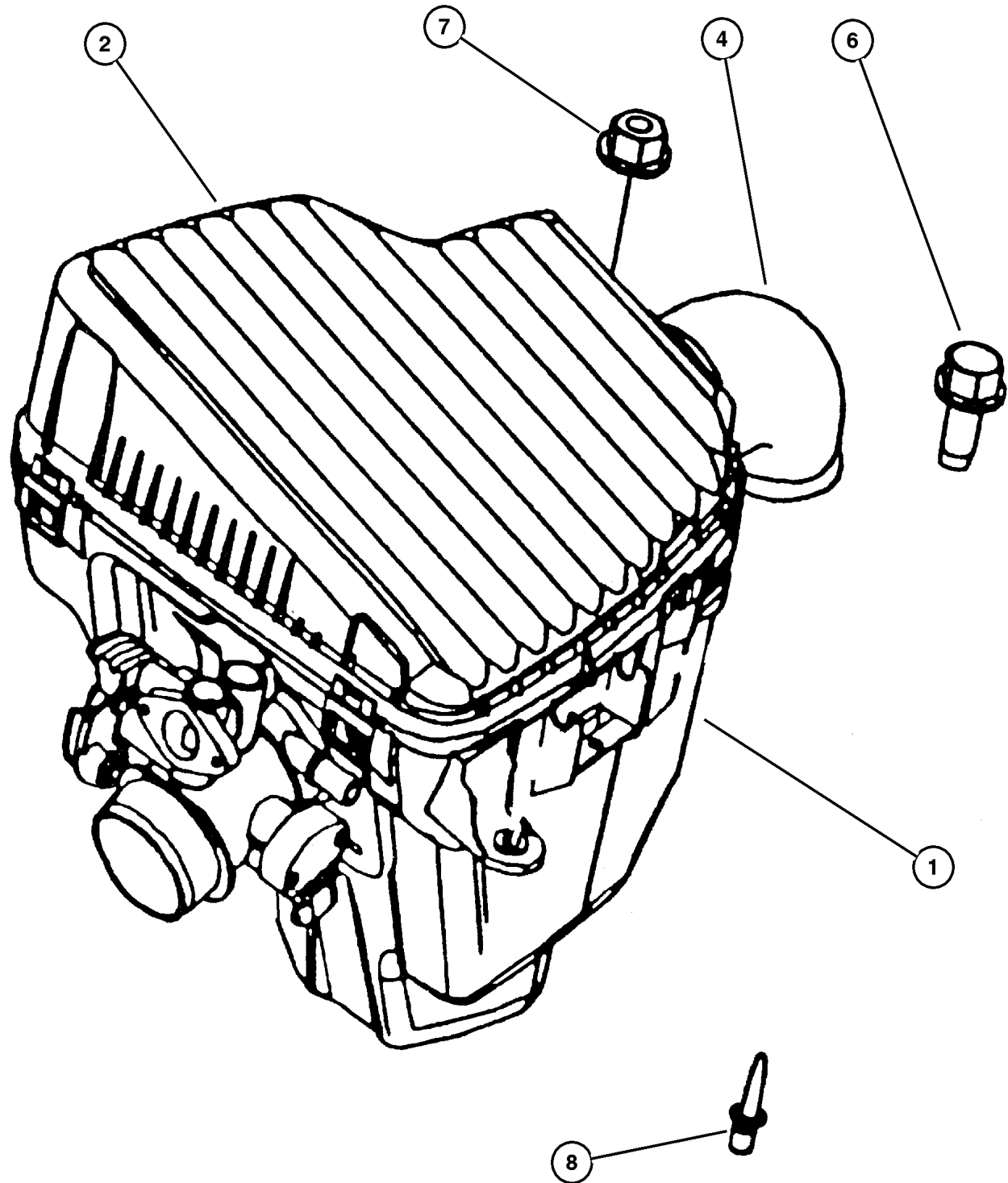
AR = Use as required - = Non illustrated part # = New this model year

May 3, 2002



Air Cleaner PL  
Figure 014-801

ITEM	PART NUMBER	QTY	LINE	SERIES	BODY	ENGINE	TRANS	DESCRIPTION
-12	4573 049	2				EBD, ECB		ISOLATOR, Air Cleaner Mounting Leg
-13	#4573 211AB	2				EBD, ECB		BUSHING, Isolator Mounting Leg
-14								SCREW, Throttle Body Attach, M6x1.00x25.00
	#6506 072AA	4				EBD, ECB	DD5	
		4				EBD, ECB	DGC	



DODGE - PLYMOUTH - CHRYSLER NEON (PL)  
 SERIES LINE BODY ENGINE TRANSMISSION  
 L=Low Line Z=RHD 41 = 4 Door, 104.0WB ECB =2.0L 4 Cyl. SOHC DD5 = 5 Speed Manual  
 H=High Line D= Dodge EBD = 1.8L 4Cyl SOHC DGC = 3 Speed Automatic  
 P= Plymouth DG0 = All Automatic  
 DBB = All Manual

AR = Use as required - = Non illustrated part # = New this model year

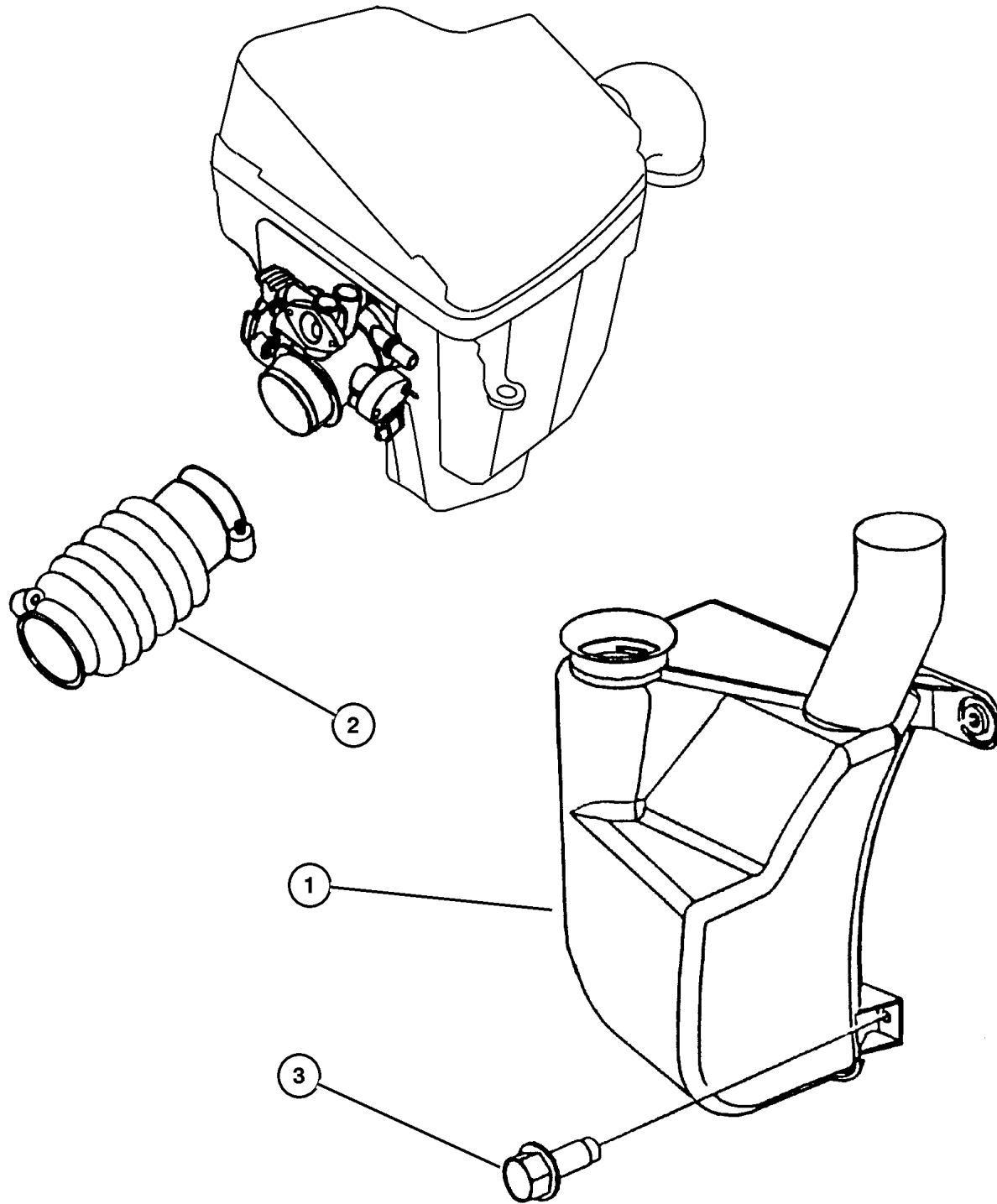
May 3, 2002

**Air Intake PL  
Figure 014-901**

ITEM	PART NUMBER	QTY	LINE	SERIES	BODY	ENGINE	TRANS	DESCRIPTION
------	-------------	-----	------	--------	------	--------	-------	-------------

NOTE: Sales Code n key.  
[EBD]=1.8L Engine n key.  
[ECB]=2.0L Engine n key.

1	#4669 895AC	1				EBD, ECB		RESONATOR, Air Cleaner
2	#4669 783AB	1				EBD, ECB		DUCT, Throttle Body
3	#6102 039AA	2						SCREW, Air Cleaner Mounting - Frt., M6. 3x1.81x30.00



**DODGE - PLYMOUTH - CHRYSLER NEON (PL)**

SERIES	LINE	BODY	ENGINE	TRANSMISSION
L=Low Line	Z= RHD	41 = 4 Door, 104.0WB	ECB =2.0L 4 Cyl. SOHC	DD5 = 5 Speed Manual
H=High Line	D= Dodge		EBD = 1.8L 4Cyl SOHC	DGC = 3 Speed Automatic
	D= Chrysler			DG0 = All Automatic
	P= Plymouth			DBB = All Manual

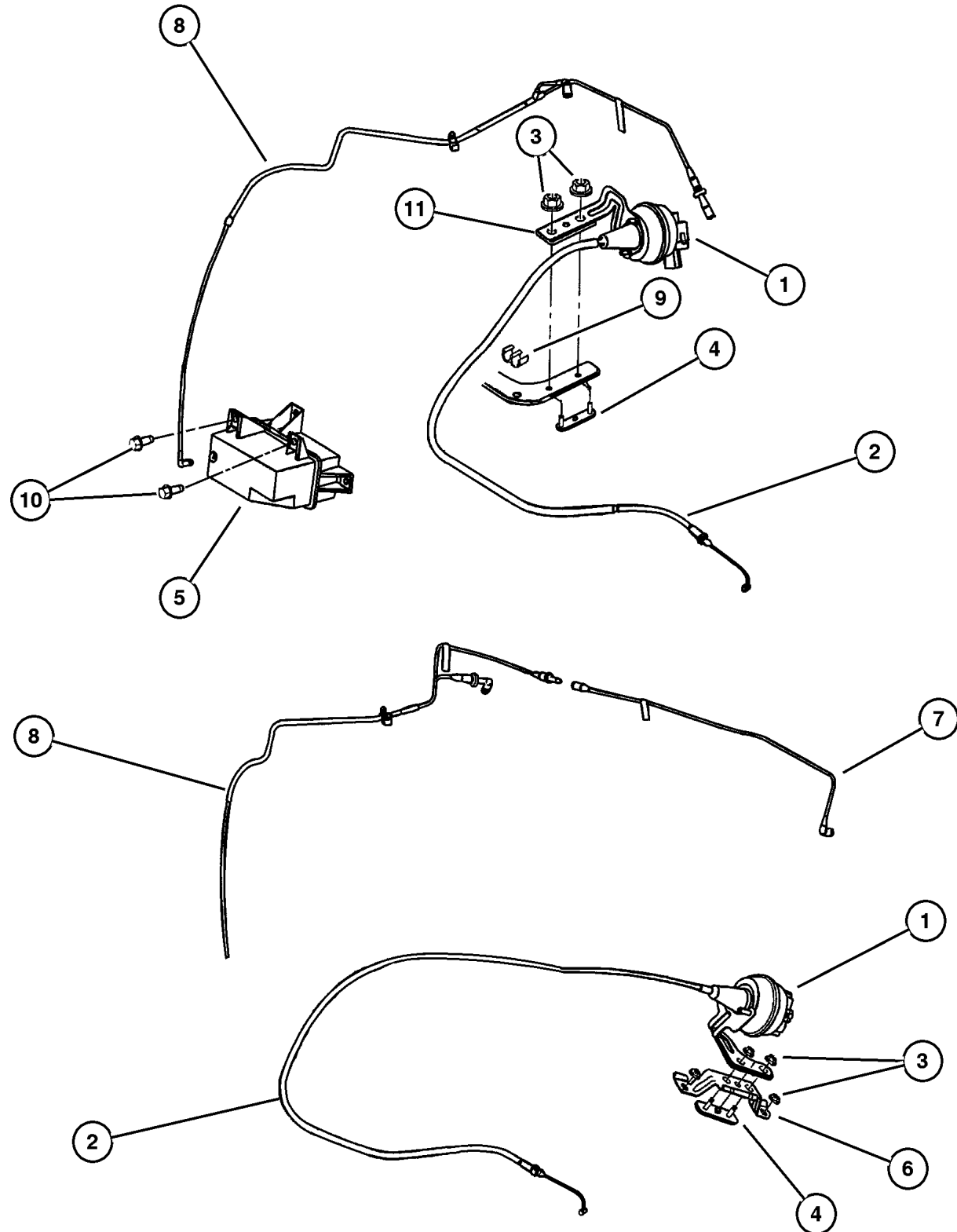
AR = Use as required - = Non illustrated part # = New this model year

May 3, 2002



**Speed Control PL  
Figure 014-1001**

ITEM	PART NUMBER	QTY	LINE	SERIES	BODY	ENGINE	TRANS	DESCRIPTION
1								SERVO, Speed Control
	4669 979	1	Z					
		1	D, P					
2								CABLE, Speed Control
	#4669 793AB	1	D, P					
	#4891 041AA	1	Z					
3								LOCK NUT, M6x1.0x6
	6500 274	4	Z					
		2	D, P					
4								PLATE, Speed Control Servo
	4591 046	1	Z					
		1	D, P					
5	#4669 788	1						RESERVOIR, Speed Control Vacuum
6	#4669 954	1	Z					BRACKET, Speed Control Servo
7	#4891 042AA	1	Z					HARNESS, Vacuum Speed Control
8								HARNESS, Speed Control, Servo to Reservoir
	#4669 452AB	1	Z					
	#4669 582AB	1	D, P					
9	#4459 055AB	1						CLIP, Cable Routing
10								SCREW AND WASHER, Hex Head, M6x1x25, (NOT SERVICED)
11	#4669 585AB	1	D, P					BRACKET, Speed Control Servo
-12	#4891 307AA	1						CLIP, Radiator Hose to Throttle Control Cable
-13								SPACER, Speed Control Servo
	3502 916	2	Z					
		2	D, P					
-14								CLIP, Cable
	6025 867	1	Z					
		1	D, P					
-15								ISOLATOR PAD, Speed Control Mounting
	4592 032	1	Z					
		1	D, P					



**DODGE - PLYMOUTH - CHRYSLER NEON (PL)**

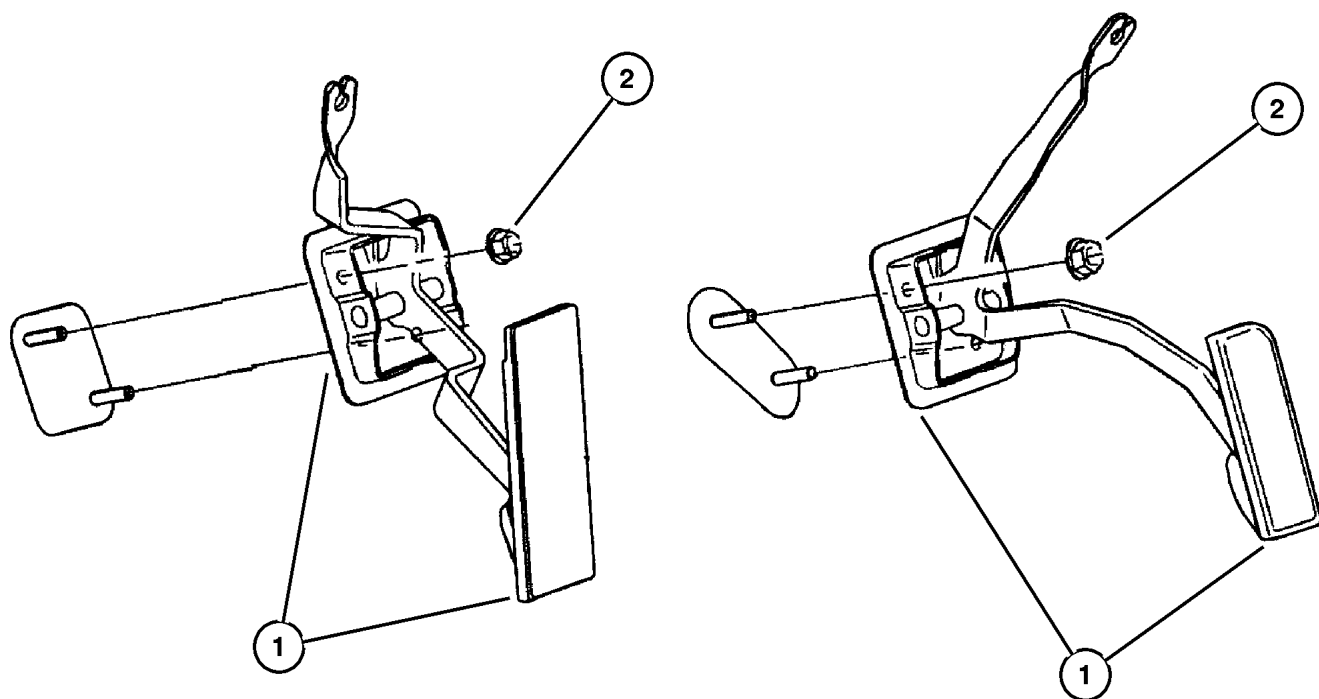
SERIES	LINE	BODY	ENGINE	TRANSMISSION
L=Low Line	Z= RHD	41 = 4 Door, 104.0WB	ECB =2.0L 4 Cyl. SOHC	DD5 = 5 Speed Manual
H=High Line	D= Dodge		EBD = 1.8L 4Cyl SOHC	DGC = 3 Speed Automatic
	D= Chrysler			DG0 = All Automatic
	P= Plymouth			DBB = All Manual

AR = Use as required - = Non illustrated part # = New this model year

May 3, 2002

**Accelerator Pedal PL  
Figure 014-1101**

ITEM	PART NUMBER	QTY	LINE	SERIES	BODY	ENGINE	TRANS	DESCRIPTION
NOTE: Sales Code n key. [EBD]=1.8L Engine n key. [ECB]=2.0L Engine n key.								
1	#4669 789	1	D, P			EBD, ECB		PEDAL, Accelerator
	#4669 964	1	Z			EBD, ECB		Right Hand Drive
2	6502 843	2						NUT AND WASHER, Hex Nut-Coned Washer, M6 x 1.00



**DODGE - PLYMOUTH - CHRYSLER NEON (PL)**

SERIES	LINE	BODY	ENGINE	TRANSMISSION
L=Low Line	Z= RHD	41 = 4 Door, 104.0WB	ECB =2.0L 4 Cyl. SOHC	DD5 = 5 Speed Manual
H=High Line	D= Dodge		EBD = 1.8L 4Cyl SOHC	DGC = 3 Speed Automatic
	D= Chrysler			DG0 = All Automatic
	P= Plymouth			DBB = All Manual

AR = Use as required - = Non illustrated part # = New this model year

May 3, 2002

# Group - 017

## Rear Suspension

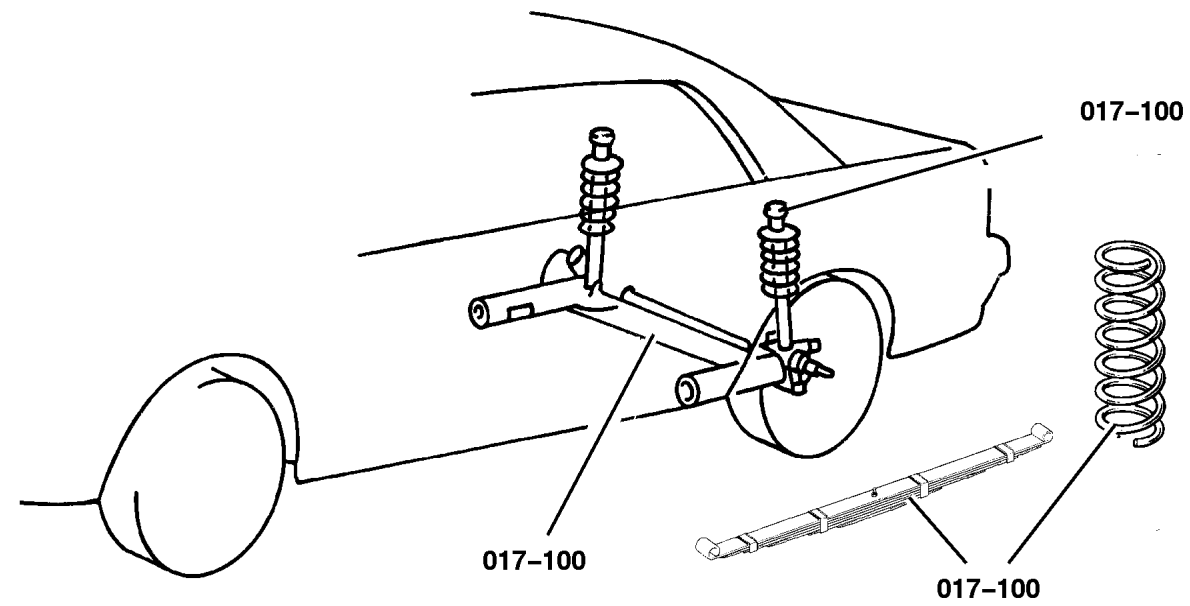
### GROUP 17 - Rear Suspension

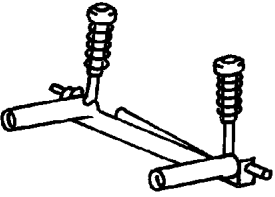
Illustration Title

Group-Fig. No.

**Rear Suspension**

Suspension,Rear ..... Fig. 017-105



<p><b>017-100</b> Rear Suspension</p> 			
---	--	--	--

## Suspension,Rear Figure 017-105

ITEM	PART NUMBER	QTY	LINE	SERIES	BODY	ENGINE	TRANS	DESCRIPTION
------	-------------	-----	------	--------	------	--------	-------	-------------

NOTE: Sales Codes n key.

SDC Firm Feel Suspension Also Known as Touring Suspension n key.

SDB Heavy Duty Suspension n key.

SDF European Homologation Suspension n key.

SDK= COMPETITION n key.

ZCC thur ZRJ=Spring Group Types Found on Individual Vehicle Sales Code Listing n key.

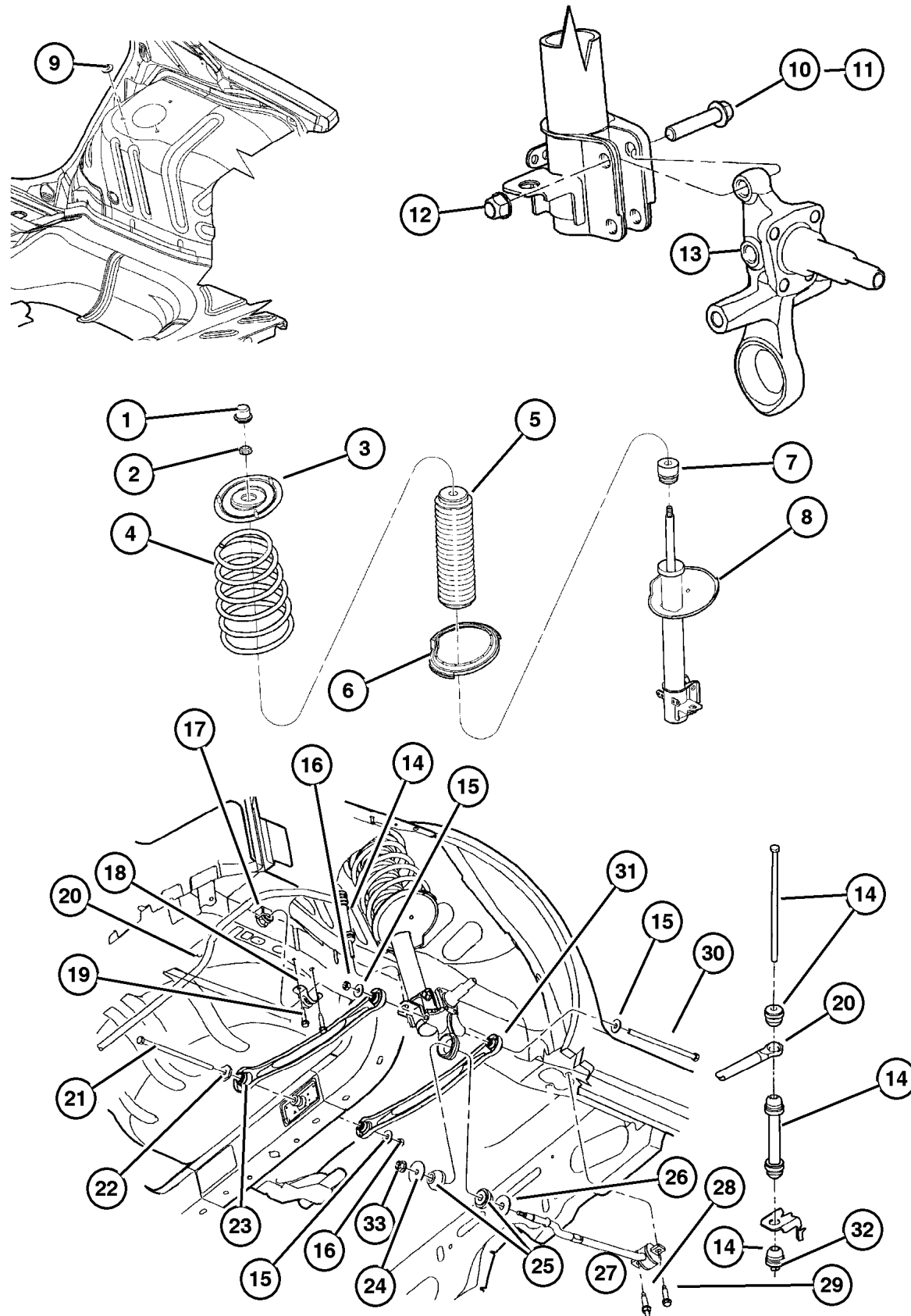
1								CAP, Suspension Strut, (NOT REQUIRED)
2	#6505 116AA	2						NUT, M14X2
3								MOUNT, Strut
	#4656 264AB	1						Right
	#4656 265AB	1						Left
4								SPRING, Rear Coil
	#5272 283	1						(SDC,SDF,SDK) (ZAT,ZNT) Tag# 283
	#5272 284	1						(SDC,SDF,SDK) (ZAU,ZNU) Tag# 284
	#5272 285AA	1						(SDB,SDC,SDF) (ZAV,ZNV)
5	#4656 060AB	2						SHIELD, Suspension
6	4626 757	2						ISOLATOR, Spring Seat
7	#5272 248AB	2						BUMPER, Jounce
8								STRUT, Rear Suspension
	#4656 354AC	1						[SDF-SDB], Right
	#4656 355AC	1						[SDF-SDB], Left
	#4656 474AD	1						[SDC], Right
	#4656 475AD	1						[SDC], Left
9	6502 964	6						NUT AND WASHER, Hex Nut-Coned Washer, M8 x 1.25
10	6502 765	4						BOLT, Hex Head, Clevis Bracket
11	4773 957	4						BOLT PACKAGE, Camber Adjustment, Contains 2 Bolts, 2 Nuts
12	6505 233AA	4						NUT, M12x1.75
13	#5272 245	2						KNUCKLE, Rear
14	#4656 260AA	2						LINK, Sway Eliminator
15	6503 253	6						WASHER, Flat, 12mm ID
16	6502 526	2						NUT, Hex Locking, M12x1.75
17								CUSHION, Sway Eliminator
	4626 767	2						w/SDF
	#4656 140AA	2						w/SDC,SDB
18								CLAMP, Stabilizer Bar Cushion
	#4656 478AB	1						Right
	#4656 479AB	1						Left
19	#6506 203AA	4						SCREW, Hex Head, Rear Sway Bar
								Clamp After 3-1-99
20								BAR, Rear Sway

DODGE - PLYMOUTH - CHRYSLER NEON (PL)

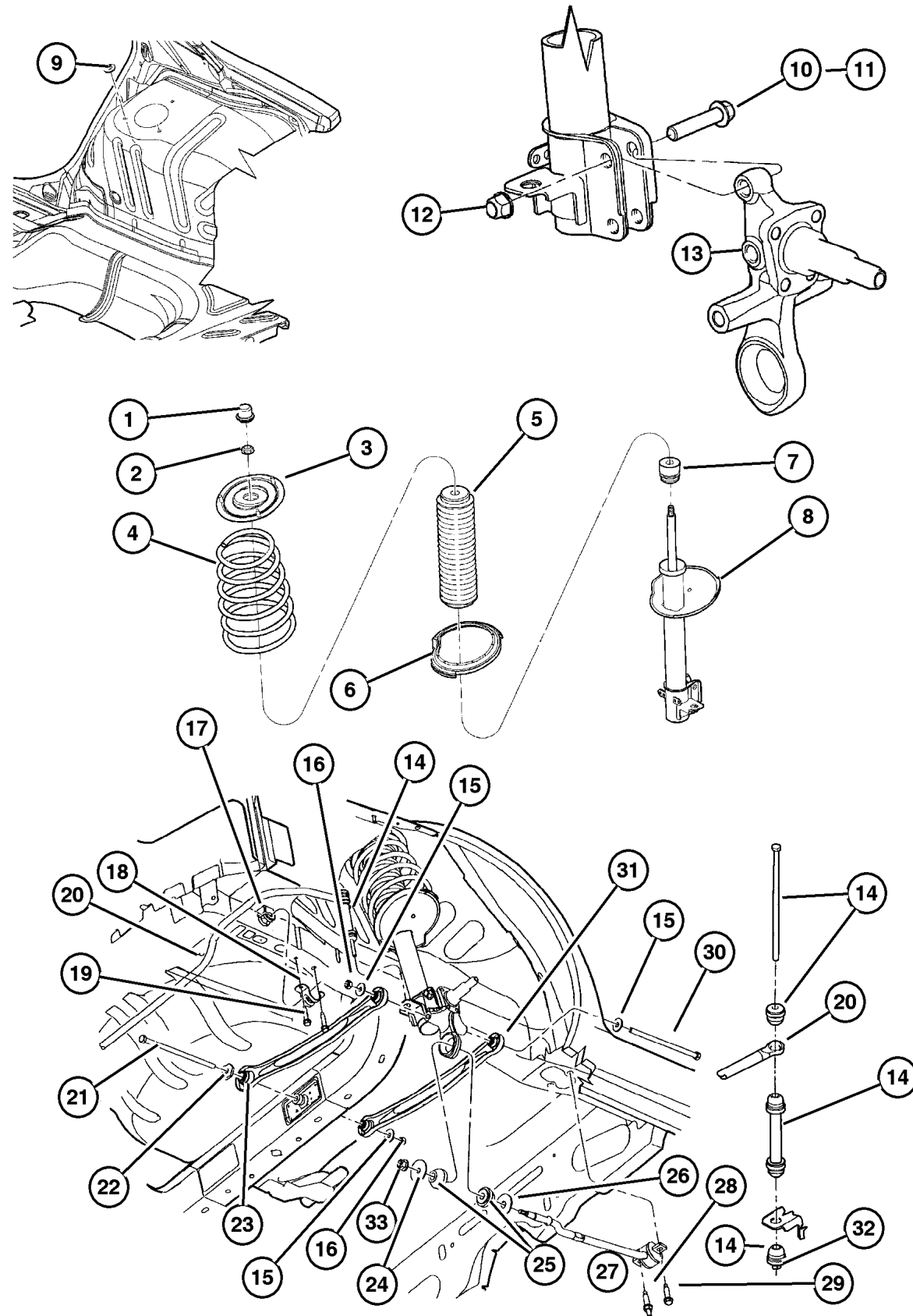
SERIES	LINE	BODY	ENGINE	TRANSMISSION
L=Low Line	Z=RHD	41 = 4 Door, 104.0WB	ECB =2.0L 4 Cyl. SOHC	DD5 = 5 Speed Manual
H=High Line	D= Dodge		EBD = 1.8L 4Cyl SOHC	DGC = 3 Speed Automatic
	D= Chrysler			DG0 = All Automatic
	P= Plymouth			DBB = All Manual

AR = Use as required - = Non illustrated part # = New this model year

May 3, 2002



## Suspension,Rear Figure 017-105



ITEM	PART NUMBER	QTY	LINE	SERIES	BODY	ENGINE	TRANS	DESCRIPTION
	#4656 511AB	1						w/SDF
	#5272 258AB	1						w/SDC,SDB
21	6502 796	2						SCREW, Hex Head, M12x1.75x242
22	#4626 993	2						CAM, rear suspension
23								LINK, Rear Lateral
	#4656 358AA	1						Right
	#4656 359AA	1						Left
24	#4656 361AA	2						RETAINER, Strut to Bushing
25	#4656 357AA	4						BUSHING, Strut
26	#4656 360AA	2						RETAINER, Strut to Bushing
27								STRUT, Stabilizer
	#5272 250	1						Right
	#5272 251	1						Left
28	#6505 213AA	2						SCREW AND WASHER, M12x1.75xM1.50x77.76
29								SCREW, (NOT REQUIRED)
30	6503 203	2						SCREW, Hex Head, M12x1.75x230.50
31	#5272 254	2						LINK, Rear Lateral
32								NUT, [Service with Sway Bar Link Assy], (NOT SERVICED)
33	6502 502	2						NUT, Hex Flange Lock, M14x2
-34	6503 292	4						SCREW, Hex Head, M8x1.25x50, Rear Way Bar Clamp Up to 3-1-99

### DODGE - PLYMOUTH - CHRYSLER NEON (PL)

SERIES	LINE	BODY	ENGINE	TRANSMISSION
L=Low Line	Z= RHD	41 = 4 Door, 104.0WB	ECB =2.0L 4 Cyl. SOHC	DD5 = 5 Speed Manual
H=High Line	D= Dodge		EBD = 1.8L 4Cyl SOHC	DGC = 3 Speed Automatic
	D= Chrysler			DG0 = All Automatic
	P= Plymouth			DBB = All Manual

AR = Use as required - = Non illustrated part # = New this model year

May 3, 2002

# Group – 019

## Steering

### GROUP 19 - Steering

Illustration Title

Group-Fig. No.

#### Steering Wheel

Wheel, Steering ..... Fig. 019-105

#### Steering Column

Column, Steering, Upper and Lower ..... Fig. 019-205

#### Steering Gear

Gear, Rack and Pinion ..... Fig. 019-305

#### Steering Linkage

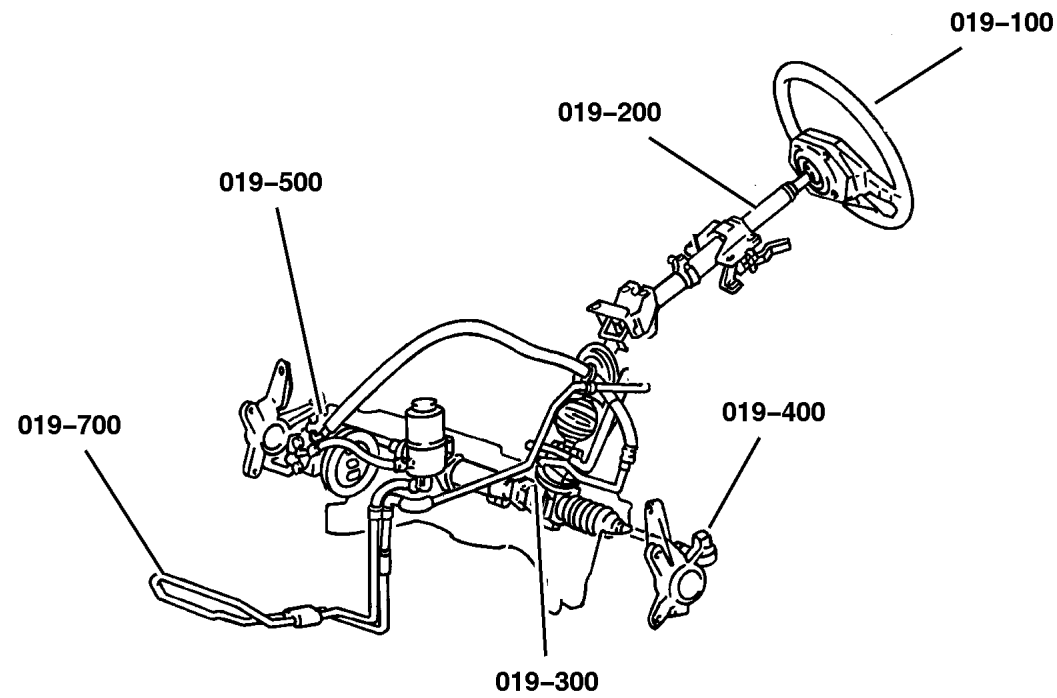
Tie Rod Ends ..... Fig. 019-410

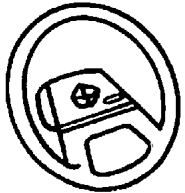
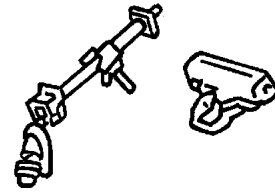
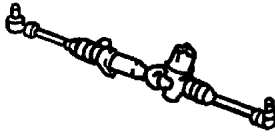
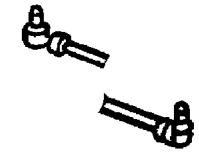
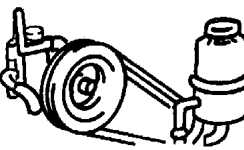
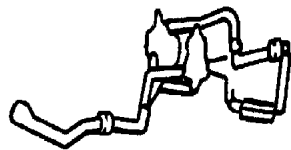
#### Power Steering Pump

Pump, Assembly and Mounting ..... Fig. 019-505

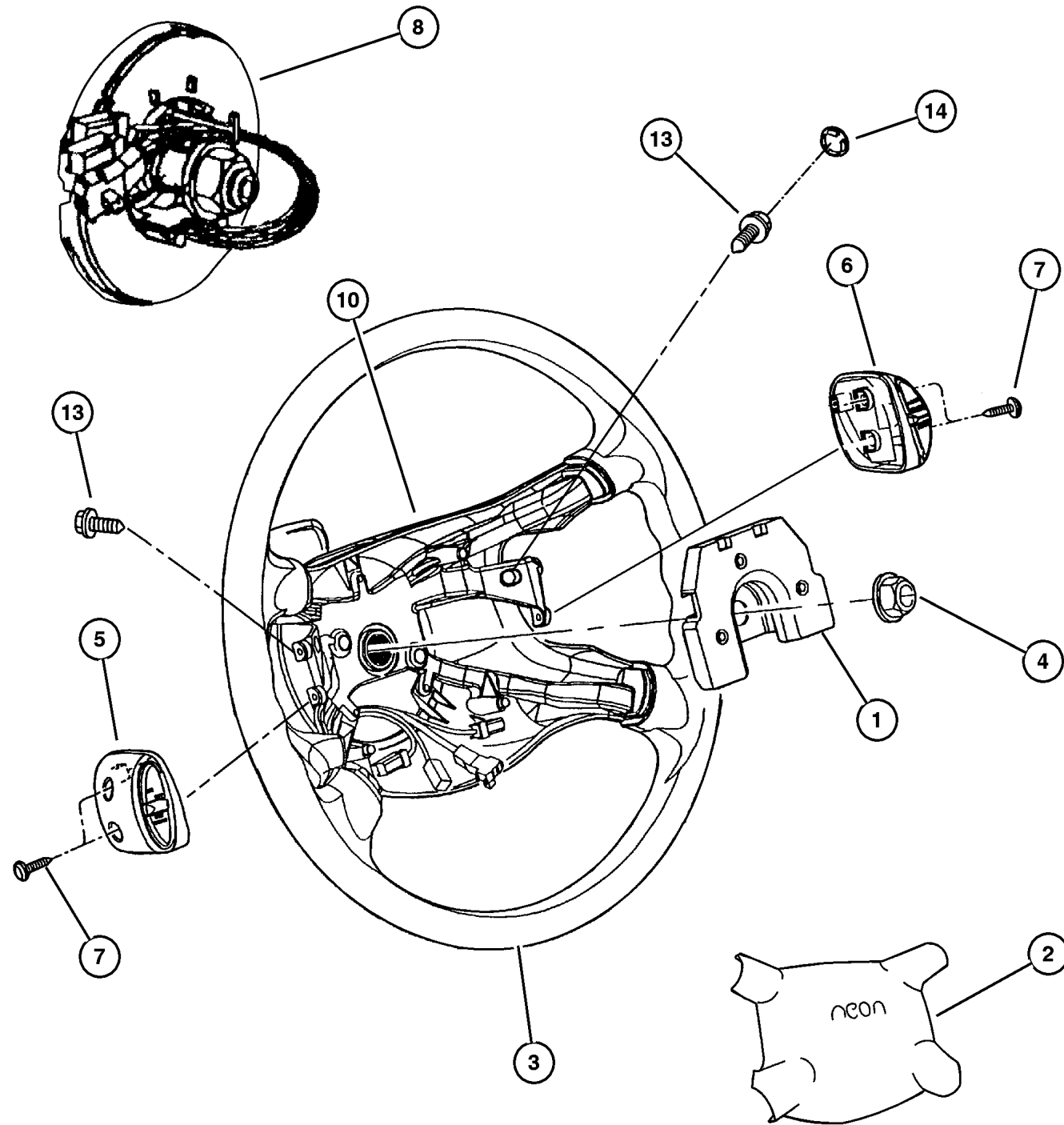
#### Power Steering Hoses

Hoses, Power Steering ..... Fig. 019-705



<p><b>019-100</b> Steering Wheel</p> 	<p><b>019-200</b> Steering Column</p> 	<p><b>019-300</b> Steering Gear</p> 	<p><b>019-400</b> Steering Linkage</p> 
<p><b>019-500</b> Power Steering Pump</p> 	<p><b>019-700</b> Power Steering Hoses</p> 		

## Wheel, Steering Figure 019-105



ITEM	PART NUMBER	QTY	LINE	SERIES	ENGINE	TRANS	DESCRIPTION
1							DAMPER, Steering Wheel, (NOT REQUIRED)
2							AIR BAG, Driver
	#SH22 LAZAE	1					with Chrysler Emblem [AZ]
	#SH22 WL8AE	1					with Chrysler Emblem [L5]
	#SH23 LAZAE	1	D				[AZ]
	#SH23 WL8AE	1	D				[L5]
	#SH24 LAZAF	1	P				[AZ]
	#SH24 WL8AF	1	P				[L5]
3							WHEEL, Steering
	#QB67 LAZAC	1					Base without Speed Control [AZ]
	#QB67 WL8AC	1					Base without Speed Control [L5]
	QB68 1L8AC	1					with Leather, without Speed Control [L5]
	QB68 LAZAC	1					with Leather, without Speed Control [AZ]
	QY07 LAZAC	1					Base with Speed Control [AZ]
	QY07 WL8AC	1					Base with Speed Control [L5]
	QY08 1L8AC	1					with Leather, Speed Control [L5]
	QY08 LAZAC	1					with Leather, Speed Control [AZ]
4	6505 248AA	AR					NUT, Hex Flange Lock
5							SWITCH, Speed Control
	#QA76 1AZ	1					On/Off Set Cruise [AZ]
	#QA76 1L8	1					On/Off Set Cruise [L5]
6							SWITCH, Speed Control
	#QA77 1AZ	1					Accel Resume/Canc Coast [AZ]
	#QA77 1L8	1					Accel Resume/Canc Coast [L5]
7	0154 613	4					SCREW, Pan Head Tapping, .164-32x.625
8							CLOCKSPRING
	#4671 753AA	1					One Circuit Mexico
	#4793 583	1					Three Circuit
	#4793 585	1					Five Circuit, with Speed Control
-9	6034 779	4					SCREW, Pan Head, .164-32x.50, Switch and Caps
10							COVER, Steering Wheel Back, Service in Steering Wheel , (NOT SERVICED)
-11							LABEL, Airbag
	#4783 055AB	1					(French)
	#4783 054AB	1					(English)
-12							LABEL, Air Bag Warning, On European Service in Airbag , (NOT SERVICED)
13	#6505 850AA	2					SCREW, M6x1.00x12.00
14							PLUG, Steering Wheel Pad
	SN38 LAZAA	2					Base Back Cover [AZ]
	SN38 WL8AA	2					Base Back Cover [L5]
-15	#4671 754AA	1					CLOCKSPRING, Steering, Three circuit, Mexico
-16							PAD, Steering Wheel

**DODGE - PLYMOUTH - CHRYSLER NEON (PL)**

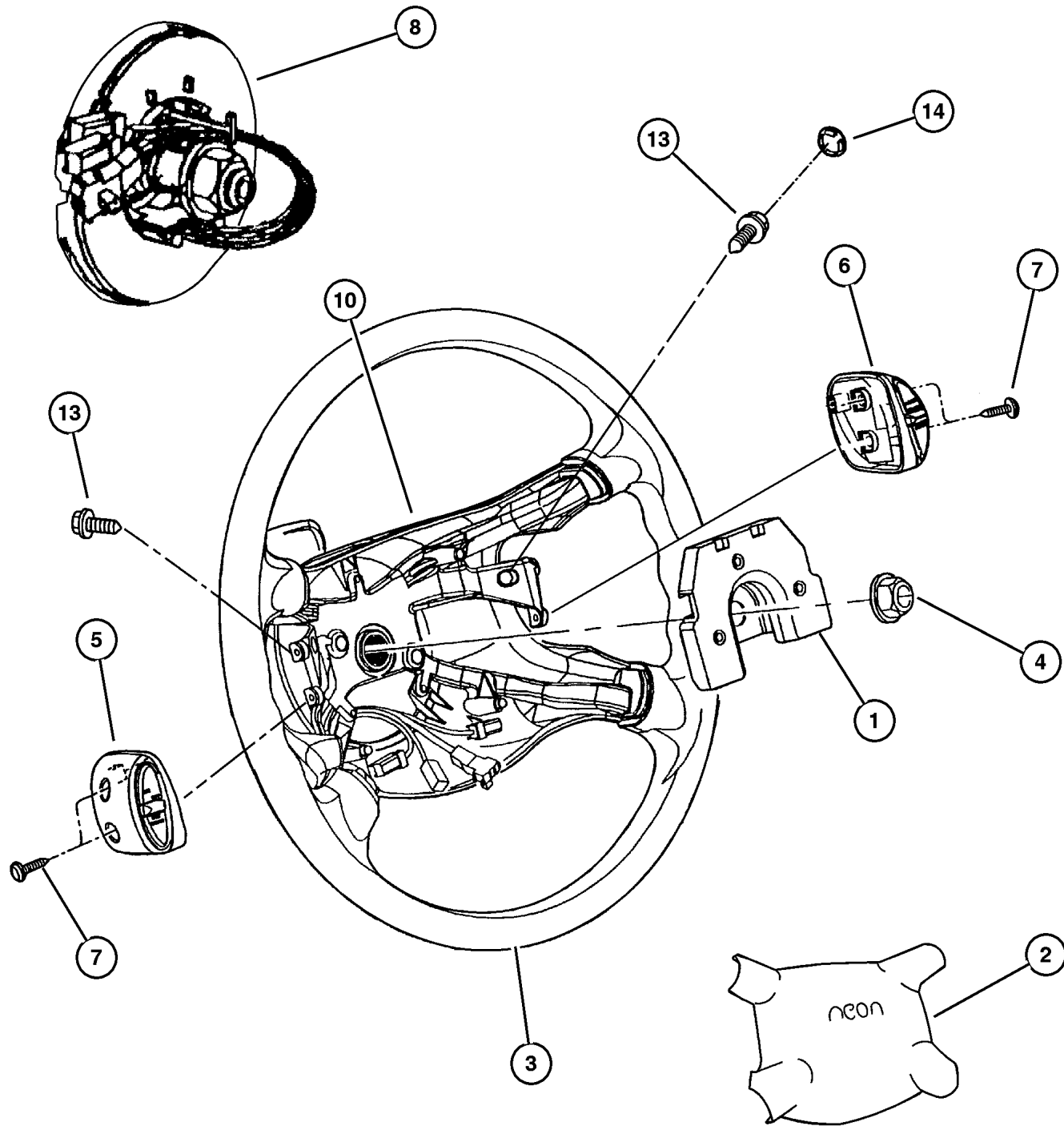
SERIES	LINE	BODY	ENGINE	TRANSMISSION
L=Low Line	Z= RHD	41 = 4 Door, 104.0WB	ECB =2.0L 4 Cyl. SOHC	DD5 = 5 Speed Manual
H=High Line	D= Dodge		EBD = 1.8L 4Cyl SOHC	DGC = 3 Speed Automatic
	D= Chrysler			DG0 = All Automatic
	P= Plymouth			DBB = All Manual

AR = Use as required - = Non illustrated part # = New this model year

May 3, 2002

# Wheel, Steering Figure 019-105

ITEM	PART NUMBER	QTY	LINE	SERIES	ENGINE	TRANS	DESCRIPTION
	#QU34 LAZAA	1					without Airbag [AZ]
	#QU34 WL8AA	1					without Airbag [L5]



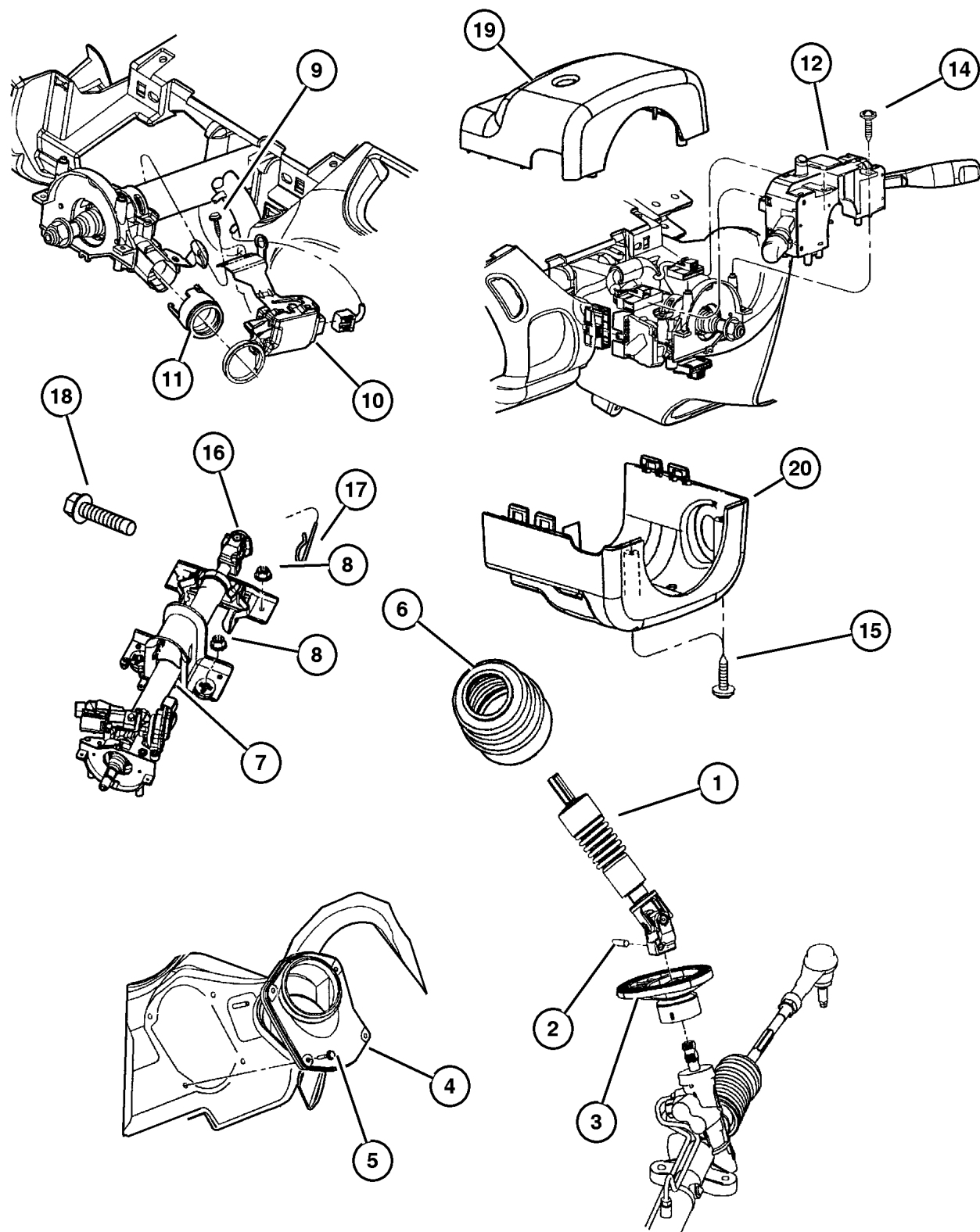
<b>DODGE - PLYMOUTH - CHRYSLER NEON (PL)</b>			
SERIES	LINE	BODY	ENGINE
L=Low Line	Z= RHD	41 = 4 Door, 104.0WB	ECB =2.0L 4 Cyl. SOHC
H=High Line	D= Dodge		EBD = 1.8L 4Cyl SOHC
	D= Chrysler		
	P= Plymouth		
			TRANSMISSION
			DD5 = 5 Speed Manual
			DGC = 3 Speed Automatic
			DG0 = All Automatic
			DBB = All Manual

AR = Use as required - = Non illustrated part # = New this model year

May 3, 2002



## Column, Steering, Upper and Lower Figure 019-205



ITEM	PART NUMBER	QTY	LINE	SERIES	ENGINE	TRANS	DESCRIPTION
Note: Coupling Assembly Lower See Rack and Pinion n key.							
Sales Codes: n key.							
DD5 5 Sp. Manual Trans. n key.							
DGC 3 Sp. Auto. Trans. n key.							
1							COUPLING, Steering
	#4664 216AB	1	D, P				
	#4664 222AB	1	Z				
2	6503 985	1					PIN, Spring, M8.4x30x1.60
3	#4664 221AA	1					SEAL, Steering Column Shaft
4							COVER, Steering Column
	#4664 219AA	1	D, P				
	#4664 220AA	1	Z				
5	6504 456	4					SCREW, Tapping
6	#4664 217AA	1					SEAL, Steering Column Shaft
7							COLUMN, Steering
	#4664 224AB	1	D, P		DGC		with Tilt, [European]
		1	Z		DGC		with Tilt
	#4664 225AB	1	D, P		DD5		with Tilt, [European]
		1	Z		DD5		with Tilt
	#4690 514AB	1	D, P		DD5		without Tilt, [European]
	#4690 518AB	1	D, P		DGC		with Tilt
	#4690 519AB	1	D, P		DD5		with Tilt
8	6503 182	4					NUT AND WASHER, Hex Lock Nut-Coned Teeth Washer, M8 x 1.25
9							SCREW, Tapping, M4x0.7x6.0, (NOT SERVICED)
10	#5269 985AB	1					MODULE, Immobilizer
11	#4664 232AA	1					RING, Ignition, Steering Column
12	#4794 303AA	1	D, P				SWITCH, Intermittent Wiper
-13							SWITCH, Multifunction
	#4794 305AA	1	D, P				w/o Fog Lamps
	#4794 306AA	1	D, P				w/Front Fog Lamps w/o Rear Fog Lamps (LPG) Fascia Mounted
	#4794 307AA	1					(European)w/Rear Fog Lamps (LPJ) w/o Frt Fog Lamps (LNJ)
	#4794 308AA	1					(European) w/Rear Fog Lamps (LPG) Fascia Mounted
14	6503 395	2					SCREW AND WASHER, Self Tapping, M4x.7x14
15	6035 434	2					SCREW AND WASHER, Pan Head
16							COUPLING, Steering, Upper, [Service in Steering Column, (NOT SERVICED)]
17	6034 206	1					PIN, Hair, .250 Dia x.766x.059
18	6502 413	1					BOLT, Special Head Locking, M8x1.25x42.50
19							SHROUD, Steering Column

### DODGE - PLYMOUTH - CHRYSLER NEON (PL)

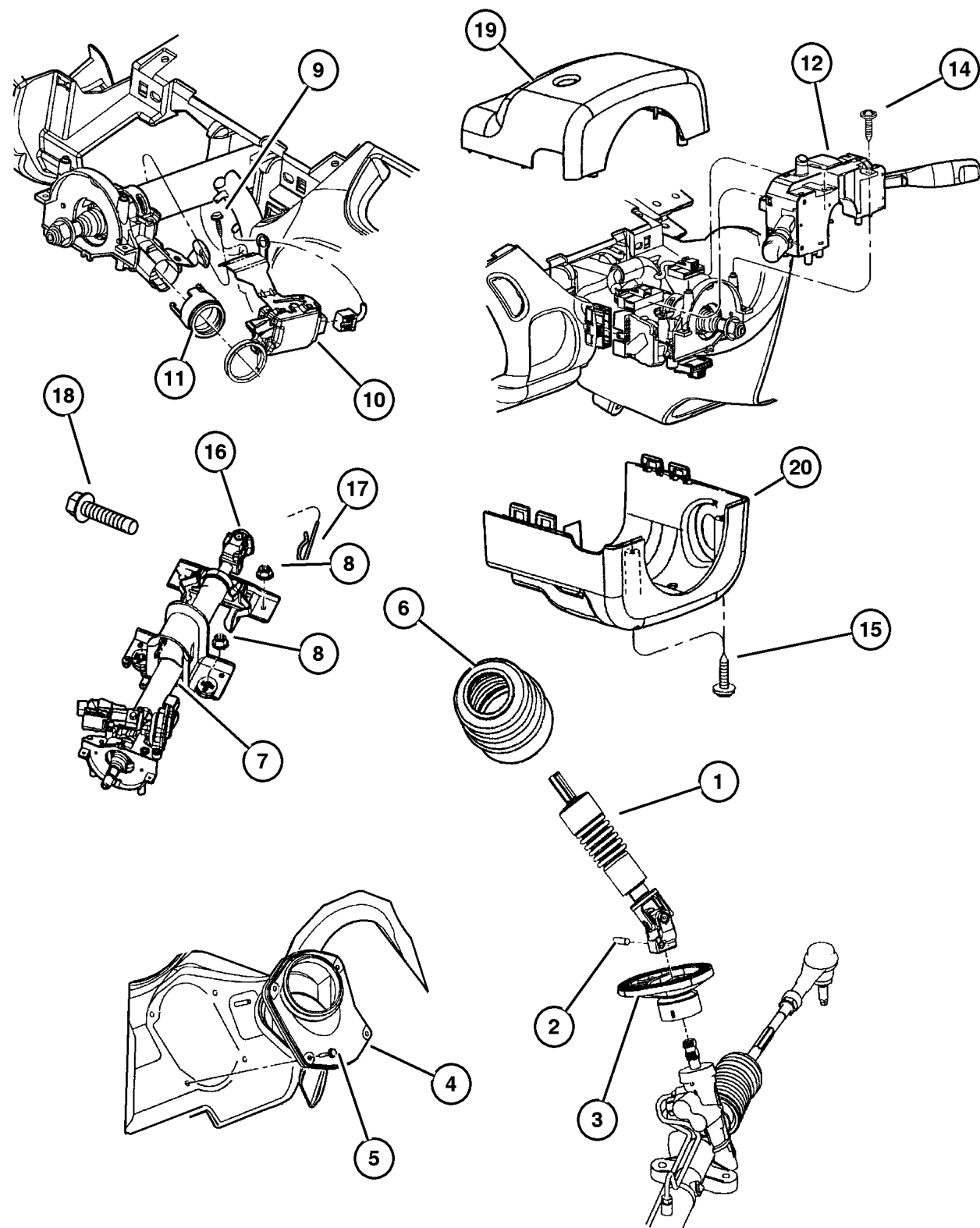
SERIES	LINE	BODY	ENGINE	TRANSMISSION
L=Low Line	Z= RHD	41 = 4 Door, 104.0WB	ECB =2.0L 4 Cyl. SOHC	DD5 = 5 Speed Manual
H=High Line	D= Dodge		EBD = 1.8L 4Cyl SOHC	DGC = 3 Speed Automatic
	D= Chrysler			DG0 = All Automatic
	P= Plymouth			DBB = All Manual

AR = Use as required - = Non illustrated part # = New this model year

May 3, 2002

**Column, Steering, Upper and Lower  
Figure 019-205**

ITEM	PART NUMBER	QTY	LINE	SERIES	ENGINE	TRANS	DESCRIPTION
	#QK45 LAZ	1				DGC	Agate, Upper
		1				DD5	Agate, Upper
	#QK45 WL8	1				DGC	Very Dark bown, Upper
		1				DD5	Very Dark bown, Upper
20							SHROUD, Steering Column
	#QK48 LAZ	1				DGC	Agate, Lower
	#QK48 WL8	1				DGC	Very Dark Bown, Lower
	#QK49 LAZ	1				DD5	Agate, Lower
	#QK49 WL8	1				DD5	Very Dark Bown, Lower

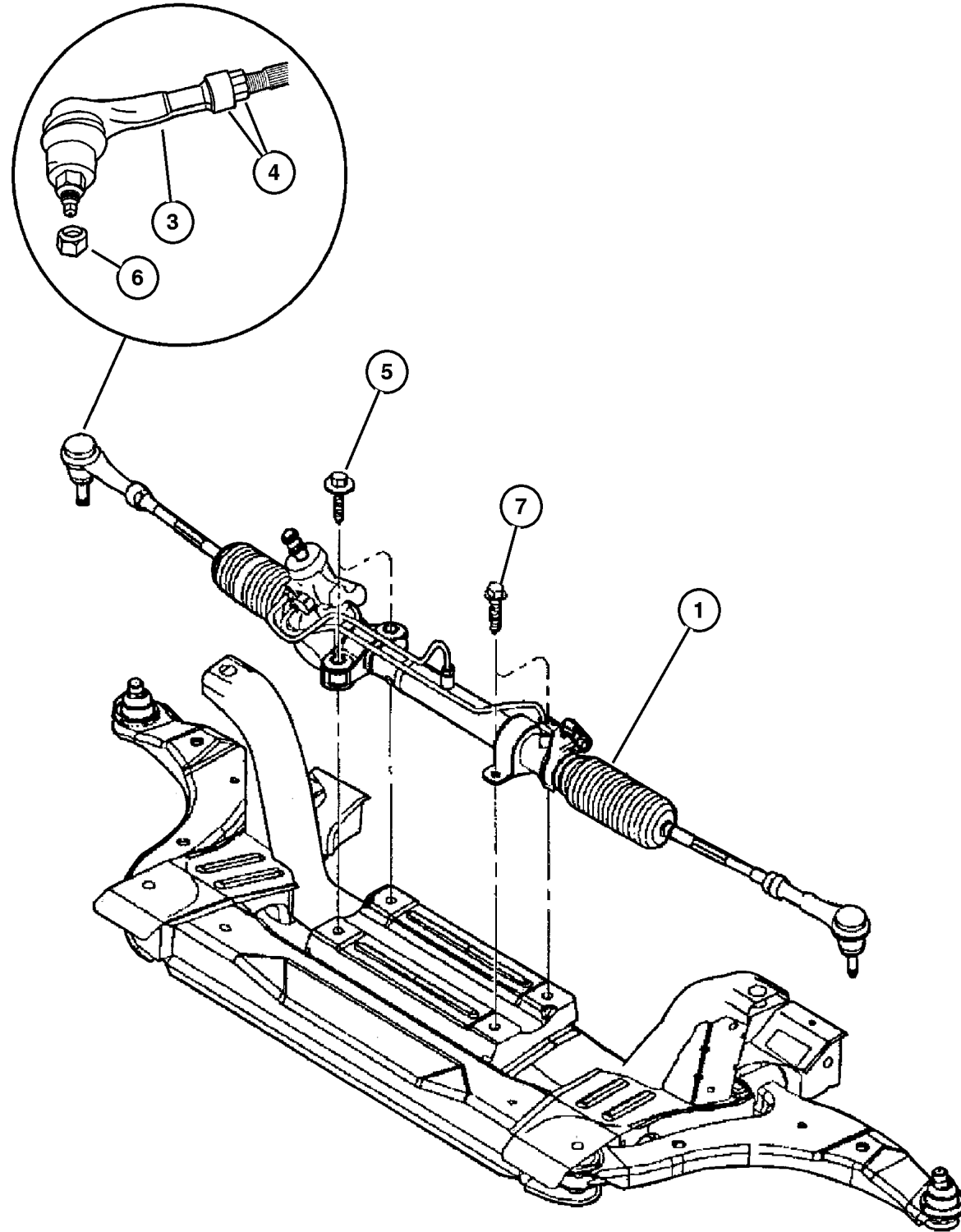


**DODGE - PLYMOUTH - CHRYSLER NEON (PL)**  
 SERIES LINE BODY ENGINE TRANSMISSION  
 L=Low Line Z=RHD 41 = 4 Door, 104.0WB ECB =2.0L 4 Cyl. SOHC DD5 = 5 Speed Manual  
 H=High Line D= Dodge EBD = 1.8L 4Cyl SOHC DGC = 3 Speed Automatic  
 D= Chrysler DBB = All Manual  
 P= Plymouth

AR = Use as required - = Non illustrated part # = New this model year

May 3, 2002

## Gear, Rack and Pinion Figure 019-305



ITEM	PART NUMBER	QTY	LINE	SERIES	ENGINE	TRANS	DESCRIPTION
Note: Sales Code: n key.							
[SBA] = Standard Power Steering n key.							
[SBB]= Firm Feel Power Steering n key.							
1	#4656 097AC	1	Z				GEAR, Power Steering with Firm Feel Power Steering (SBB)
	#4656 184AD	1	D, P				with Firm Feel Power Steering (SBB)
	#5272 421AD	1	D, P				with Standard Power Steering (SBA)
-2	5269 625	1	Z				SWITCH, Power Steering
		1	D, P				
3	4762 861AA	1	Z				END PACKAGE, Tie Rod
		1	D, P				
4	#5015 316AA	1	D, P				JAM NUT, Outer Tie Rod Package Consist of 1 Nut and 1 Collar
		1	Z				Package Consist of 1 Nut and 1 Collar
5							BOLT AND WASHER, Steering Gear Hsg to susp Crossmember M10x1.50x50.00, (NOT SERVICED)
6	6503 046	2					NUT, Hex Lock, M12 x 1.25
7	#6505 607AA	2					SCREW, Hex Head, M10x1.50x40.00

**DODGE - PLYMOUTH - CHRYSLER NEON (PL)**

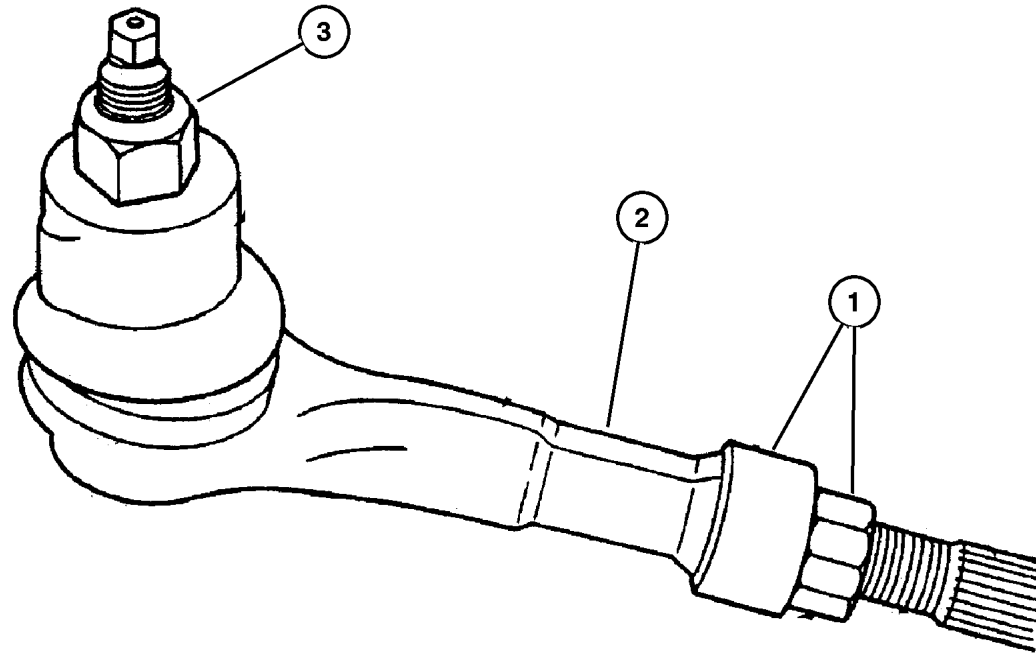
SERIES	LINE	BODY	ENGINE	TRANSMISSION
L=Low Line	Z= RHD	41 = 4 Door, 104.0WB	ECB =2.0L 4 Cyl. SOHC	DD5 = 5 Speed Manual
H=High Line	D= Dodge		EBD = 1.8L 4Cyl SOHC	DGC = 3 Speed Automatic
	D= Chrysler			DG0 = All Automatic
	P= Plymouth			DBB = All Manual

AR = Use as required - = Non illustrated part # = New this model year

May 3, 2002

## Tie Rod Ends Figure 019-410

ITEM	PART NUMBER	QTY	LINE	SERIES	ENGINE	TRANS	DESCRIPTION
1							JAM NUT, Outer Tie Rod
	#5015 316AA	1	Z				Package Consist of 1 Nut and 1 Collar
		1	D, P				Package Consist of 1 Nut and 1 Collar
2							END PACKAGE, Tie Rod
	4762 861AA	1	Z				
		1	D, P				
3	6503 046	2					NUT, Hex Lock, M12 x 1.25



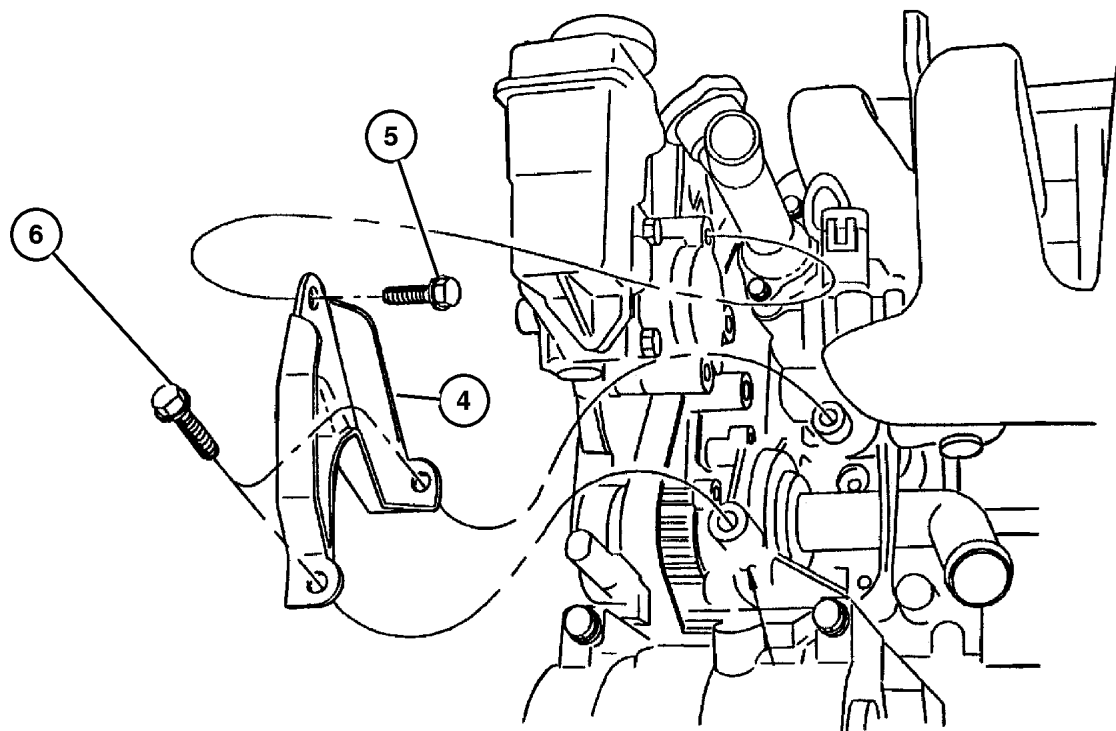
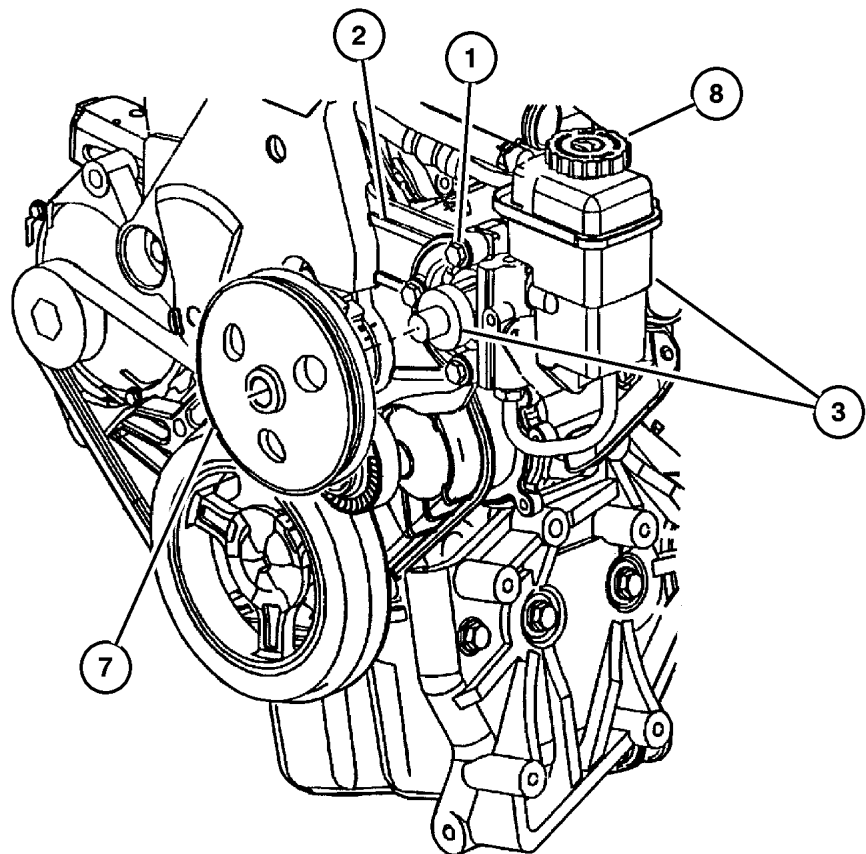
**DODGE - PLYMOUTH - CHRYSLER NEON (PL)**

SERIES	LINE	BODY	ENGINE	TRANSMISSION
L=Low Line	Z= RHD	41 = 4 Door, 104.0WB	ECB =2.0L 4 Cyl. SOHC	DD5 = 5 Speed Manual
H=High Line	D= Dodge		EBD = 1.8L 4Cyl SOHC	DGC = 3 Speed Automatic
	D= Chrysler			DG0 = All Automatic
	P= Plymouth			DBB = All Manual

AR = Use as required   - = Non illustrated part   # = New this model year

May 3, 2002

**Pump, Assembly and Mounting  
Figure 019-505**



ITEM	PART NUMBER	QTY	LINE	SERIES	ENGINE	TRANS	DESCRIPTION
Note: Sales Code EBD=1.8L 4 Cyl. SOHC 16 Valve n key.							
Note: Sales Code ECB=2.0L 4 Cyl. SOHC 16 Valve n key.							
Note: Sales Code ECH=2.0L 4Cyl.. SOHC 16 Valve Hi Perf. n key.							
Note: Sales Code EBT=1.9L 4 Cyl. Turbo Diesel n key.							
1	6101 614	3					SCREW AND WASHER, Hex Head, M8x1.25x45
2	#4668 364AA	1			ECB		TENSIONER AND BRACKET, Engine Mount
3	#4656 208AC	1			EBD, ECB		PUMP, Power Steering
4	#4668 245	1			EBD, ECB		BRACKET, Power Steering Pump
5							SCREW AND WASHER, Hex Head, M8x1.25x25, (NOT REQUIRED)
6	6101 503	2			ECB		SCREW AND WASHER, Hex Head, M10x1.5x25
7	#4668 252	1			EBD, ECB		PULLEY, Power Steering Pump
8	#4656 516AA	1			EBD, EBT, ECB, ECH		CAP, Power Steering Reservoir, w/ECB,EBD Only

**DODGE - PLYMOUTH - CHRYSLER NEON (PL)**

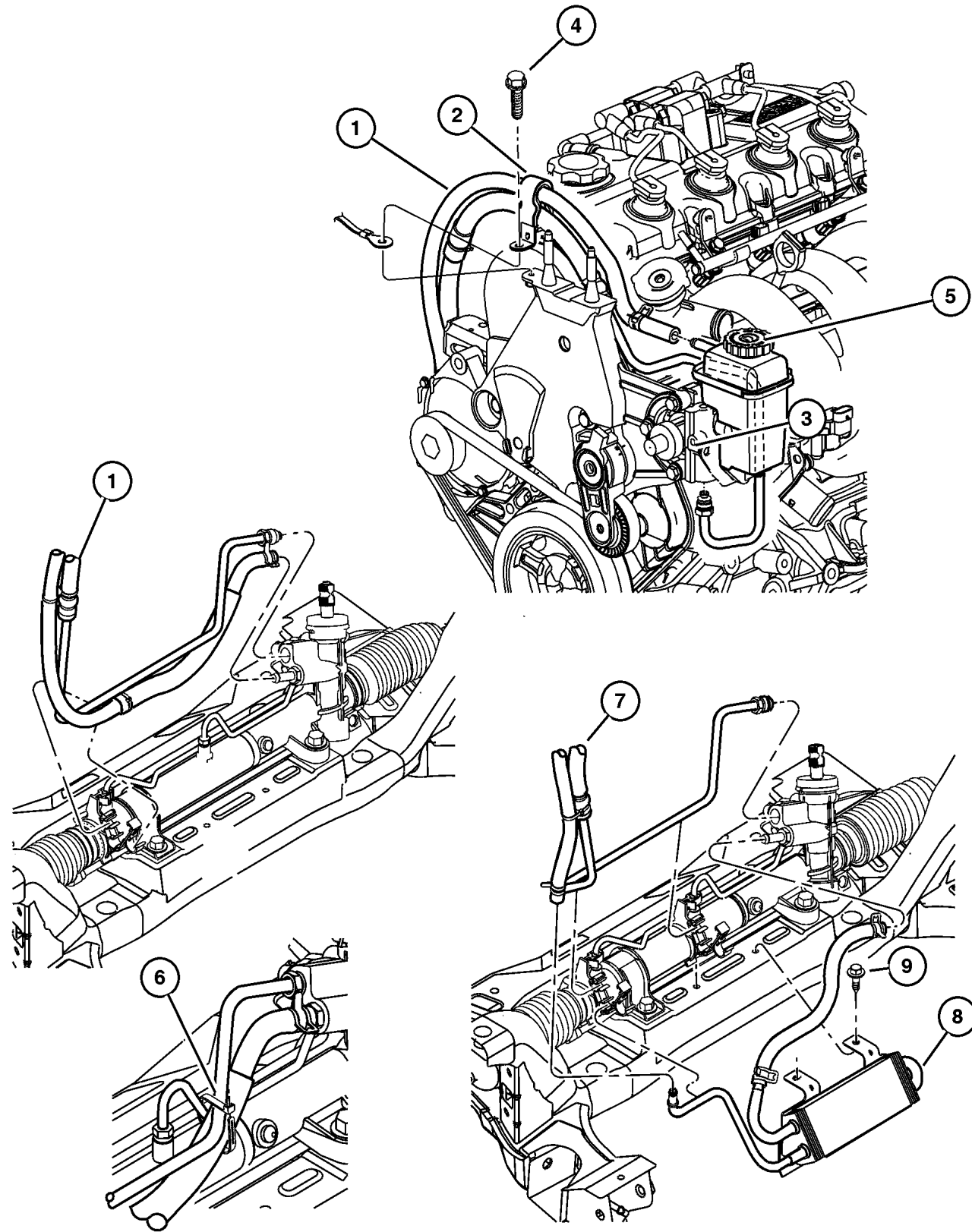
SERIES	LINE	BODY	ENGINE	TRANSMISSION
L=Low Line	Z= RHD	41 = 4 Door, 104.0WB	ECB =2.0L 4 Cyl. SOHC	DD5 = 5 Speed Manual
H=High Line	D= Dodge		EBD = 1.8L 4Cyl SOHC	DGC = 3 Speed Automatic
	D= Chrysler			DG0 = All Automatic
	P= Plymouth			DBB = All Manual

AR = Use as required - = Non illustrated part # = New this model year

May 3, 2002

## Hoses, Power Steering Figure 019-705

ITEM	PART NUMBER	QTY	LINE	SERIES	ENGINE	TRANS	DESCRIPTION
NOTE: Sales Codes n key.							
EBD= 1.8L 4 Cyl. SOHC 16 Valve n key.							
ECB= 2.0L 4 Cyl. SOHC 16 Valve n key.							
1	#4656 233AB	1	D, P		EBD, ECB		HOSE, Power Steering Return, and Pressure
2							CLAMP, [Service in Assy], (NOT SERVICED)
3	#4656 208AC	1			EBD, ECB		PUMP, Power Steering, and Reservoir
4	6101 777	1			EBD, ECB		SCREW, Hex Flange Head Tapping, M6x1.00x20.00
5	#5066 063AA	1			EBD, ECB		CAP, Power Steering Reservoir
6	4641 780	1	D, P				STRAP, Tie
7	#4656 637AC	1	D, P		EBD, ECB		HOSE, Power Steering And Pressure
	#4656 638AD	1	Z		EBD, ECB		And Pressure
8							COOLER, Power Steering
	#4656 616AD	1	D, P				
	#4656 617AB	1	Z				
9	#6505 911AA	2					SCREW, Hex Head, Cooling Module
-10	5269 625	1	Z				SWITCH, Power Steering
		1	D, P				



**DODGE - PLYMOUTH - CHRYSLER NEON (PL)**

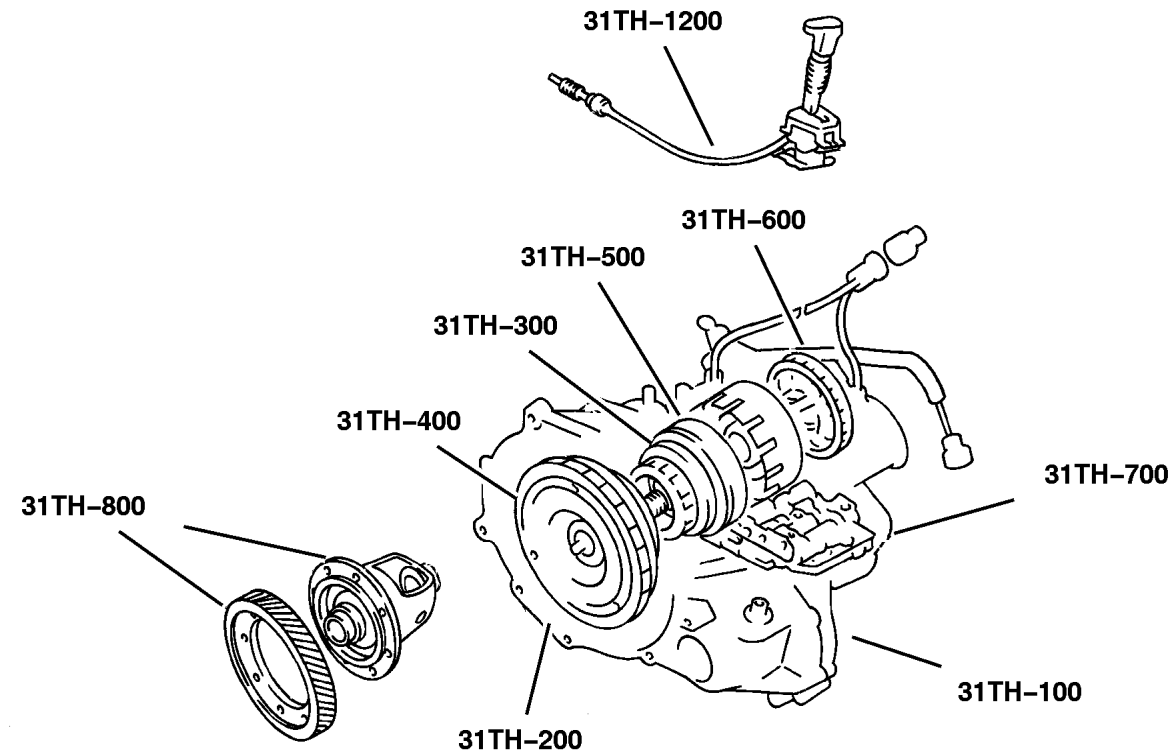
SERIES	LINE	BODY	ENGINE	TRANSMISSION
L=Low Line	Z= RHD	41 = 4 Door, 104.0WB	ECB =2.0L 4 Cyl. SOHC	DD5 = 5 Speed Manual
H=High Line	D= Dodge		EBD = 1.8L 4Cyl SOHC	DGC = 3 Speed Automatic
	D= Chrysler			DG0 = All Automatic
	P= Plymouth			DBB = All Manual

AR = Use as required - = Non illustrated part # = New this model year

May 3, 2002

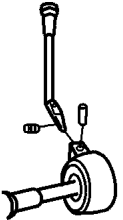
# Group – 31TH




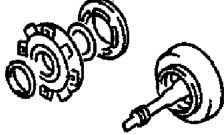
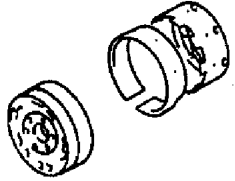
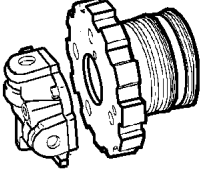
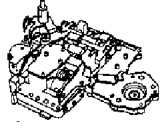
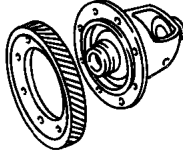
## Automatic Transaxle 3 Speed



# Group – 31TH

## Automatic Transaxle 3 Speed

<p><b>31TH-1200</b> Gearshift Controls</p> 			
--	--	--	--

<p><b>31TH-100</b> Transaxle Assembly</p> 	<p><b>31TH-200</b> Case and Extension</p> 	<p><b>31TH-300</b> Oil Pump</p> 	<p><b>31TH-400</b> Gear Train</p> 
<p><b>31TH-500</b> Bands, Reverse and Kickdown</p> 	<p><b>31TH-600</b> Governor</p> 	<p><b>31TH-700</b> Valve Body</p> 	<p><b>31TH-800</b> Differential</p> 

---

## GROUP 31TH - Automatic Transaxle 3 Speed

Illustration Title	Group-Fig. No.
<b>Transaxle Assembly</b>	
Transaxle Assembly, (DGC) .....	Fig. 31TH-120
<b>Case and Extension</b>	
Transaxle Mounting And Misc. Parts (DGC) .....	Fig. 31TH-203
Case, Extension And Retainer, (DGC) .....	Fig. 31TH-215
<b>Oil Pump</b>	
Pump, Oil With Reaction Shaft, (DGC) .....	Fig. 31TH-320
<b>Gear Train</b>	
Clutch, Rear And Input Shaft, (DGC) .....	Fig. 31TH-415
Shaft, Transfer, (DGC) .....	Fig. 31TH-425
Clutch, Front, (DGC) .....	Fig. 31TH-435
Gears, Front Annulus And Sun, (DGC) .....	Fig. 31TH-445
Shaft, Output, Rear Carrier, Reverse Drum, And Overrunning Clutch, (DGC) .....	Fig. 31TH-460
<b>Bands, Reverse and Kickdown</b>	
Bands, Reverse And Kickdown,(DGC) .....	Fig. 31TH-520
<b>Governor</b>	
Governor, (DGC) .....	Fig. 31TH-620
<b>Valve Body</b>	
Valve Body, (DGC) .....	Fig. 31TH-715
Servos, Accumulator Piston And Springs, (DGC) .....	Fig. 31TH-725
Parking Sprag, (DGC) .....	Fig. 31TH-740
<b>Differential</b>	
Differential, (DGC) .....	Fig. 31TH-820
<b>Gearshift Controls</b>	
Controls, Gearshift, Floor Shift, (DGC) .....	Fig. 31TH-1201





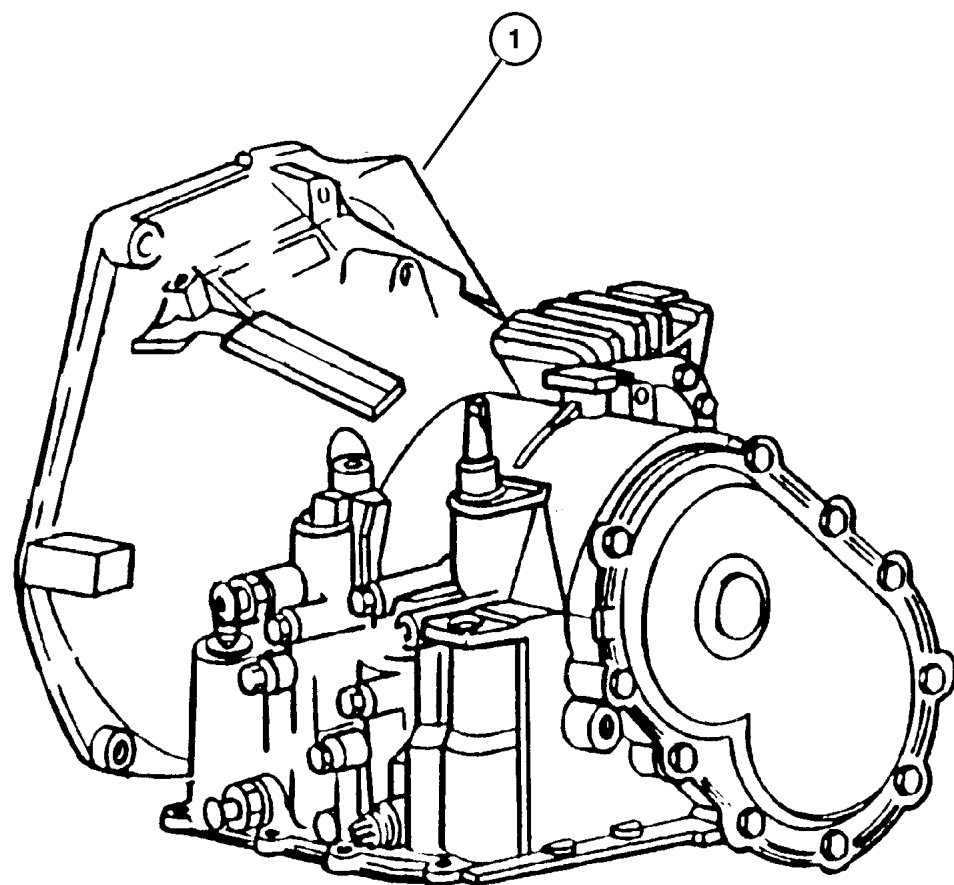
**Transaxle Assembly, (DGC)  
Figure 31TH-120**

ITEM	PART NUMBER	QTY	LINE	SERIES	ENGINE	TRANS	DESCRIPTION
------	-------------	-----	------	--------	--------	-------	-------------

NOTE: SALES CODES: DGC - 3 Spd Auto Trans 31TH n key.

ECB = 2.0L 4 Cyl - SOHC n key.

1							TRANSAXLE PACKAGE, WITH TORQUE CONVERTER
	#5014 299AA	1			ECB	DGC	Production No. 4799901AB & Sales Code [DLM]
	#5014 300AA	1			ECB	DGC	For U.S. & Mexico - Production No. 4800309AA & Sales Code [DLM]
	#5014 763AA	1			ECB	DGC	Mexico Only - Production No. 4800306AA & Sales Codes [DLX]
-2	4796 384AB	1				DGC	CONVERTER PACKAGE, Torque



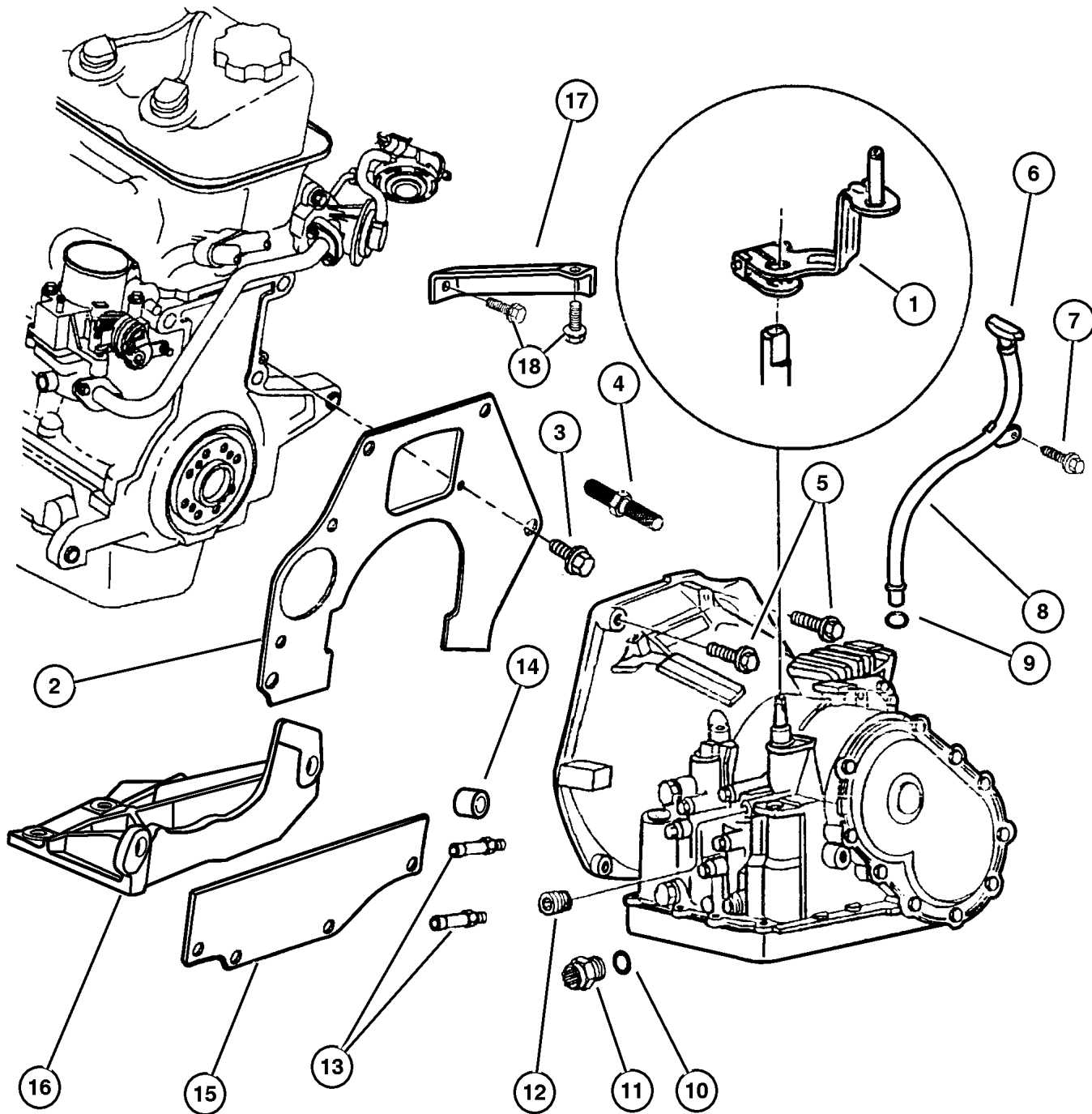
**DODGE - PLYMOUTH - CHRYSLER NEON (PL)**

SERIES	LINE	BODY	ENGINE	TRANSMISSION
L=Low Line	Z= RHD	41 = 4 Door, 104.0WB	ECB =2.0L 4 Cyl. SOHC	DD5 = 5 Speed Manual
H=High Line	D= Dodge		EBD = 1.8L 4Cyl SOHC	DGC = 3 Speed Automatic
	D= Chrysler			DG0 = All Automatic
	P= Plymouth			DBB = All Manual

AR = Use as required - = Non illustrated part # = New this model year

May 3, 2002

**Transaxle Mounting And Misc. Parts (DGC)  
Figure 31TH-203**



ITEM	PART NUMBER	QTY	LINE	SERIES	ENGINE	TRANS	DESCRIPTION
------	-------------	-----	------	--------	--------	-------	-------------

NOTE: SALES CODES: DGC = 3 Spd Auto Trans 31TH n key.

EBD = 1.8 4 CYL SOHC n key.

ECB = 2.0L 4 C yl - SOHC n key.

1	#4670 320AB	1				DGC	LEVER, Manual Control
2	4567 147	1				DGC	COVER, Transaxle Converter
3	6501 755	1				DGC	SCREW AND WASHER, Hex Head, M6x1x16
4	#6505 314AA	2			ECB		STUD
5	6501 742	3				DGC	SCREW, Hex Head, M12x1.75x50
6	#4668 281	1				DGC	INDICATOR, Transmission Fluid Level
7	6101 524	2				DGC	BOLT AND WASHER, Hex Head, M10x1.5x30
8	#4668 282	1				DGC	TUBE, Transmission Oil Filler
9	6030 608	1				DGC	SEAL, Oil Filler Tube
10	2408 143	1			ECB	DGC	WASHER, Switch
11	3747 361	1			ECB	DGC	SWITCH, Neutral, Safety, Back Up
12	6030 035	7			ECB	DGC	PLUG, Pressure Check
13	4531 202	2			ECB	DGC	CONNECTOR, Oil Cooler Hose
14	5240 849	2			ECB		DOWEL, Block To Clutch Housing
15	4670 196	1				DGC	COVER, Transaxle Converter
16	4668 270AB	1			EBD, ECB		COLLAR, Structural, Oil Pan To Transmission
17	4668 118AC	1				DGC	STRUT, Engine
18	6101 503	2			ECB		SCREW AND WASHER, Hex Head, M10x1.5x25

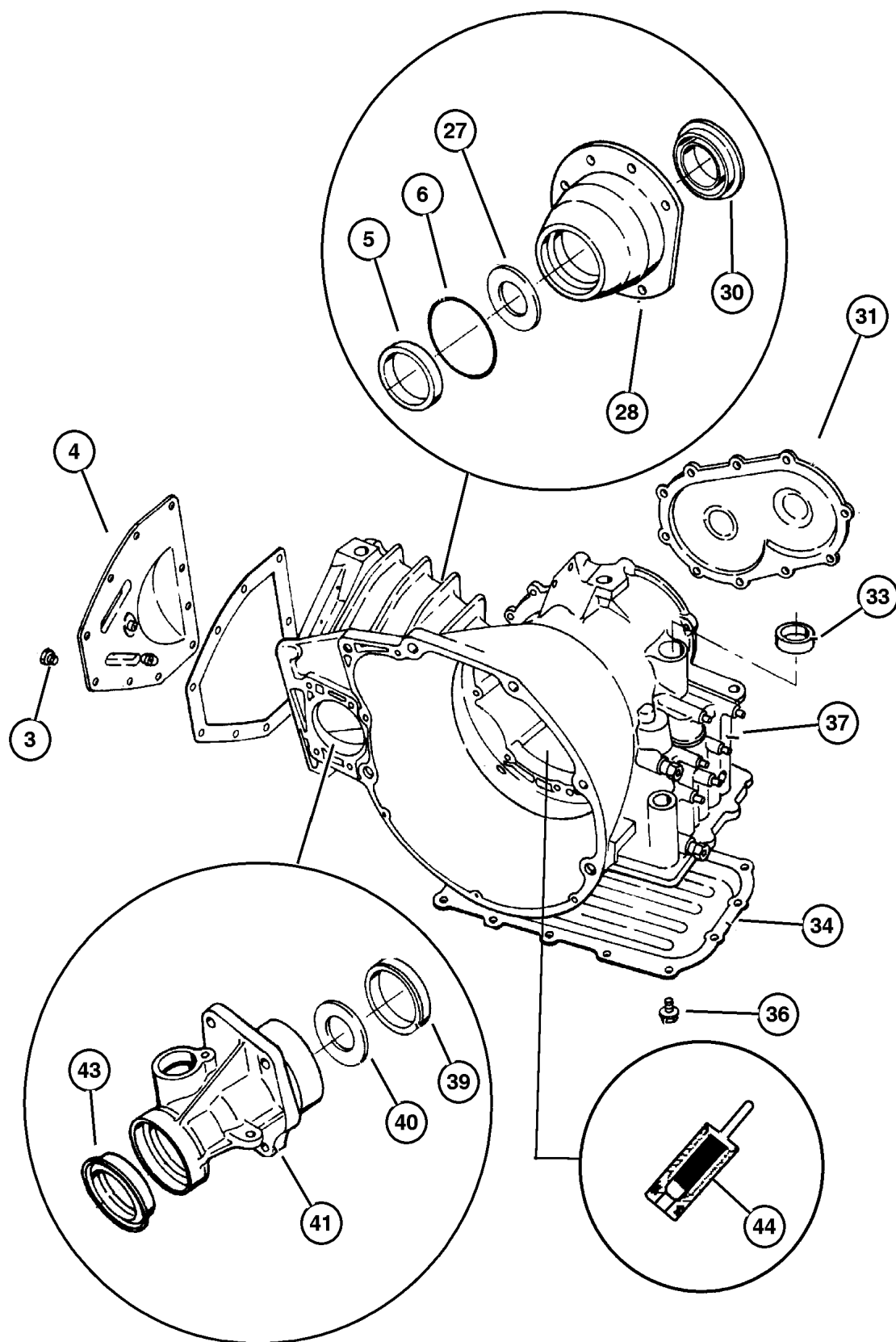
**DODGE - PLYMOUTH - CHRYSLER NEON (PL)**

SERIES	LINE	BODY	ENGINE	TRANSMISSION
L=Low Line	Z= RHD	41 = 4 Door, 104.0WB	ECB =2.0L 4 Cyl. SOHC	DD5 = 5 Speed Manual
H=High Line	D= Dodge		EBD = 1.8L 4Cyl SOHC	DGC = 3 Speed Automatic
	D= Chrysler			DG0 = All Automatic
	P= Plymouth			DBB = All Manual

AR = Use as required - = Non illustrated part # = New this model year

May 3, 2002

**Case, Extension And Retainer, (DGC)  
Figure 31TH-215**



ITEM	PART NUMBER	QTY	LINE	SERIES	ENGINE	TRANS	DESCRIPTION
NOTE: SALES CODES: DGC = 3 Spd Auto Trans 31TH n key. ECB = 2.0 4 Cyl SOHC n key.							
-1	4798 152AC	1			ECB	DGC	GASKET AND SEAL PACKAGE, Transaxle
-2	4798 215AC	1			ECB	DGC	OVERHAUL PACKAGE, Transaxle
3	6501 474	2			ECB	DGC	BOLT, Hex Head, M8x1.25x16
4	4659 738	1			ECB	DGC	PAN, Transaxle Differential Oil
5	4659 237	1			ECB	DGC	CUP, Differential Side Bearing
6	4659 257	AR			ECB	DGC	SPACER, Final Drive, 0.98mm
-7	4659 258	AR			ECB	DGC	SPACER, Final Drive, 1.02mm
-8	4659 259	AR			ECB	DGC	SPACER, Final Drive, 1.06mm
-9	4659 260	AR			ECB	DGC	SPACER, Final Drive, 1.10mm
-10	4659 261	AR			ECB	DGC	SPACER, Final Drive, 1.14mm
-11	4659 262	AR			ECB	DGC	SPACER, Final Drive, 1.18mm
-12	4659 263	AR			ECB	DGC	SPACER, Final Drive, 1.22mm
-13	4659 264	AR			ECB	DGC	SPACER, Final Drive, 1.26mm
-14	4659 265	AR			ECB	DGC	SPACER, Final Drive, 1.30mm
-15	4659 266	AR			ECB	DGC	SPACER, Final Drive, 1.34mm
-16	4659 267	AR			ECB	DGC	SPACER, Final Drive, 1.38mm
-17	4659 268	AR			ECB	DGC	SPACER, Final Drive, 1.42mm
-18	4659 269	AR			ECB	DGC	SPACER, Final Drive, 1.46mm
-19	4659 270	AR			ECB	DGC	SPACER, Final Drive, 1.50mm
-20	4659 271	AR			ECB	DGC	SPACER, Final Drive, 1.54mm
-21	4659 272	AR			ECB	DGC	SPACER, Final Drive, 1.58mm
-22	4659 273	AR			ECB	DGC	SPACER, Final Drive, 1.62mm
-23	4659 274	AR			ECB	DGC	SPACER, Final Drive, 1.66mm
-24	4659 275	AR			ECB	DGC	SPACER, Final Drive, 1.70mm
-25	4659 283	AR			ECB	DGC	SPACER, Final Drive, 2.02mm
-26	4659 284	AR			ECB	DGC	SPACER, Final Drive, 2.06mm
27	4659 290	1			ECB	DGC	DAM, Differential Extension Oil
28	4659 736	1			ECB	DGC	RETAINER, Differential Bearing
-29	6500 511	4			ECB	DGC	SCREW, Flange Head, M8x1.25x33
30	4412 522AB	1			ECB	DGC	SEAL
31	4659 342	1			ECB	DGC	COVER, Transaxle Rear
-32	6501 474	2			ECB	DGC	BOLT, Hex Head, M8x1.25x16
33	3878 447	1			ECB	DGC	SEAL, Manual Lever Shaft
34	4471 573	1			ECB	DGC	PAN, Transmission Oil
-35	4446 728	1			ECB	DGC	MAGNET, Transmission
36	6501 474	2			ECB	DGC	BOLT, Hex Head, M8x1.25x16
37							CASE, Transmission
	#5013 040AA	1			ECB	DGC	Up to and including 7-1-99
	#5016 260AA	1			ECB	DGC	7-2-99 and after
-38	6100 994	1			ECB	DGC	DOWEL, M6x16

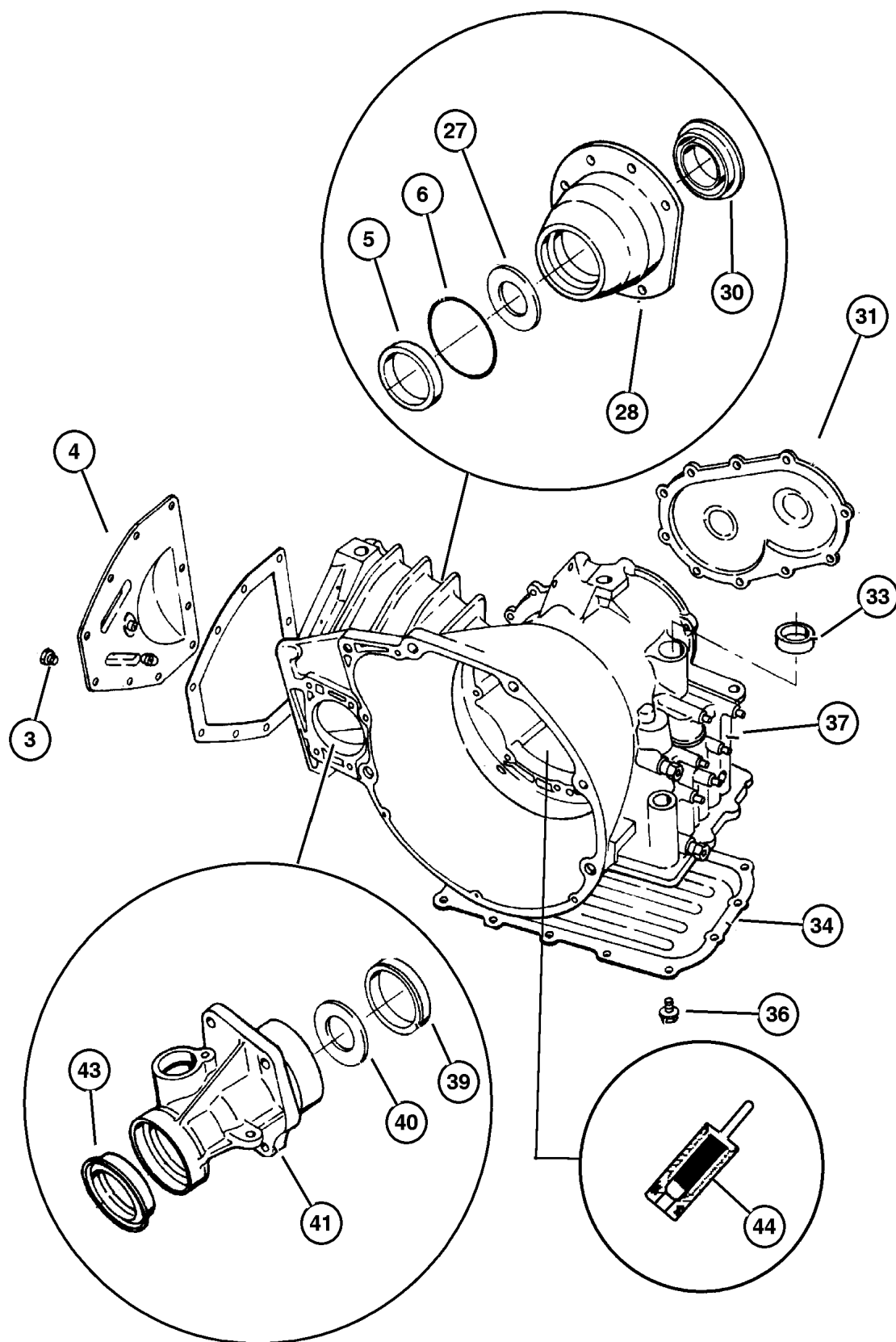
**DODGE - PLYMOUTH - CHRYSLER NEON (PL)**

SERIES	LINE	BODY	ENGINE	TRANSMISSION
L=Low Line	Z= RHD	41 = 4 Door, 104.0WB	ECB =2.0L 4 Cyl. SOHC	DD5 = 5 Speed Manual
H=High Line	D= Dodge		EBD = 1.8L 4Cyl SOHC	DGC = 3 Speed Automatic
	D= Chrysler			DG0 = All Automatic
	P= Plymouth			DBB = All Manual

AR = Use as required - = Non illustrated part # = New this model year

May 3, 2002

Case, Extension And Retainer, (DGC)  
Figure 31TH-215



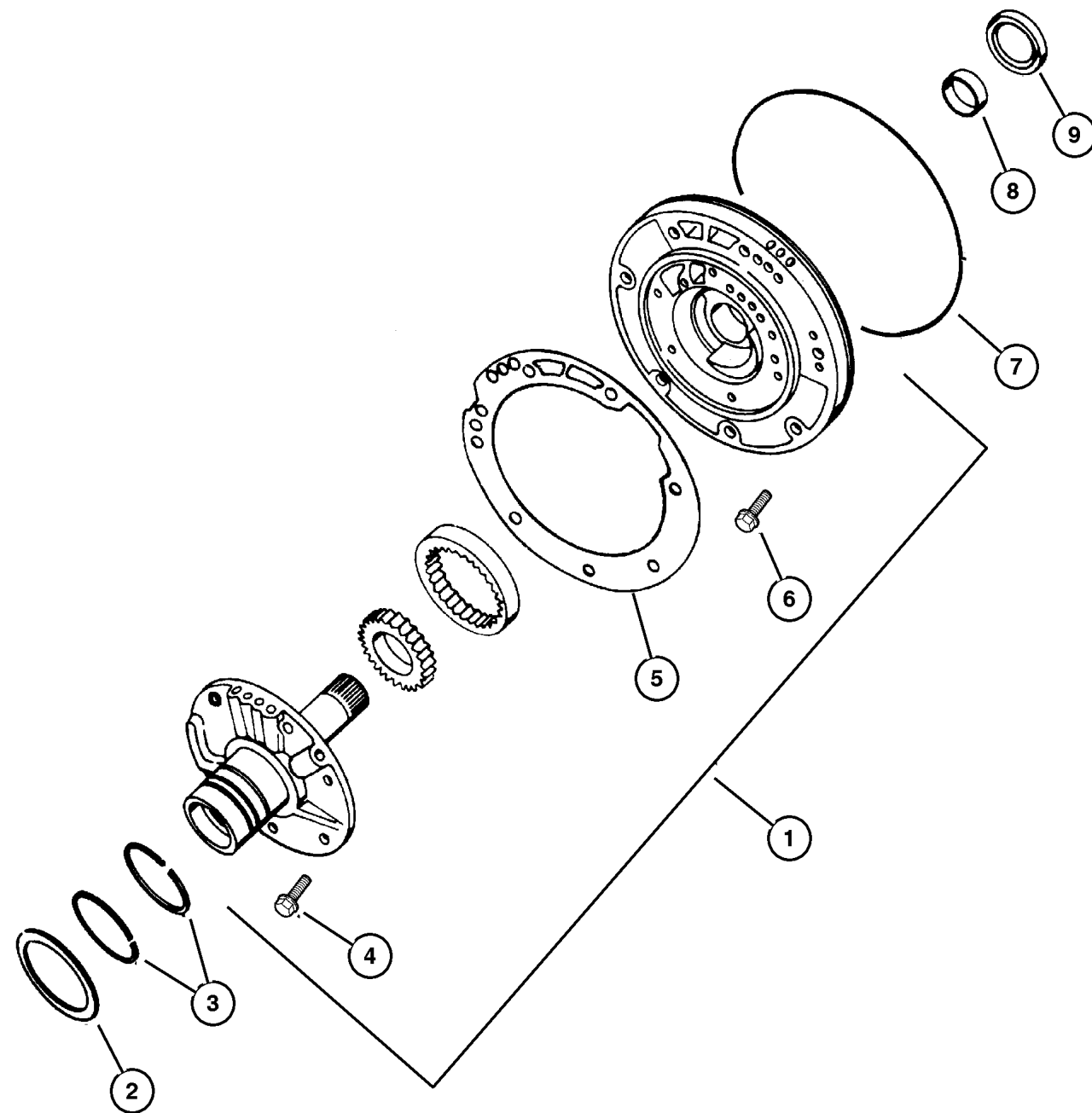
ITEM	PART NUMBER	QTY	LINE	SERIES	ENGINE	TRANS	DESCRIPTION
39	4567 022	1			ECB	DGC	BEARING CUP, Differential
40	4567 494	1			ECB	DGC	RETAINER, Transmission Extension Oil
41	4549 219	1			ECB	DGC	EXTENSION PACKAGE, Transmission Rear
-42	6500 511	4			ECB	DGC	SCREW, Flange Head, M8x1.25x33
43	4412 522AB	1			ECB	DGC	SEAL
44	#4800 018AA	1			ECB	DGC	VALVE, Cooler Bypass

DODGE - PLYMOUTH - CHRYSLER NEON (PL)  
 SERIES LINE BODY ENGINE TRANSMISSION  
 L=Low Line Z=RHD 41 = 4 Door, 104.0WB ECB =2.0L 4 Cyl. SOHC DD5 = 5 Speed Manual  
 H=High Line D= Dodge EBD = 1.8L 4Cyl SOHC DGC = 3 Speed Automatic  
 D= Chrysler DG0 = All Automatic  
 P= Plymouth DBB = All Manual

AR = Use as required - = Non illustrated part # = New this model year

May 3, 2002

**Pump, Oil With Reaction Shaft, (DGC)  
Figure 31TH-320**



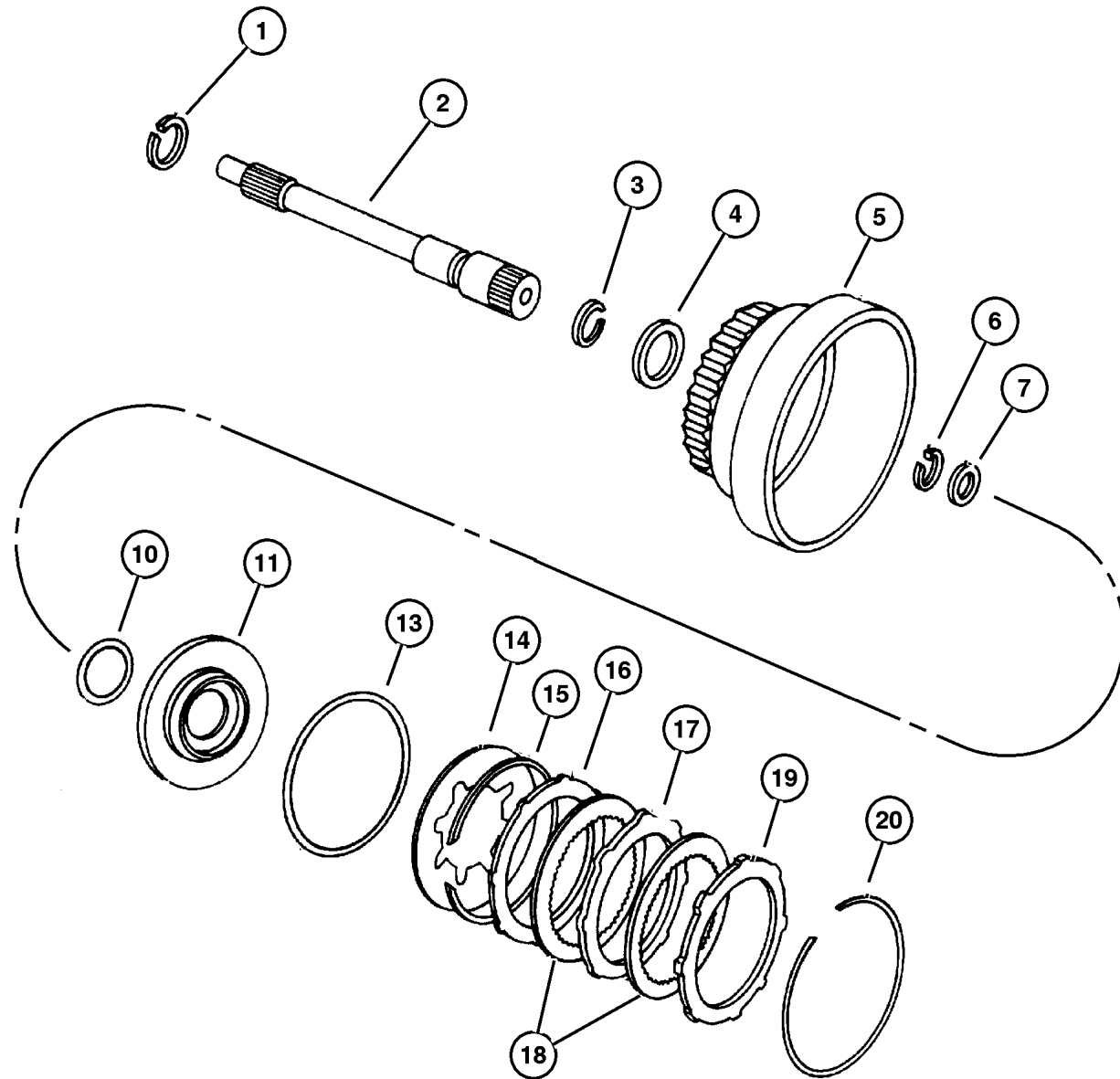
ITEM	PART NUMBER	QTY	LINE	SERIES	ENGINE	TRANS	DESCRIPTION
NOTE: SALES CODES: DGC = 3 Spd Auto Trans 31TH n key. ECB = 2.0L 4 Cyl - SOHC n key.							
1	5016 410AA	1			ECB	DGC	PUMP, Transmission Oil
2	4567 026	1			ECB	DGC	THRUST WASHER, Oil Pump
3	5212 305	2			ECB	DGC	SEAL, Pump Reaction Shaft
4	6500 211	6			ECB	DGC	BOLT, Hex Head, M8x1.25x19
5	4269 661	1			ECB	DGC	GASKET, Transmission Oil Pump
6	6501 106	7			ECB	DGC	SCREW AND WASHER, Hex Flange Head, M8x1.25x25
7	4659 945	1			ECB	DGC	SEAL, Oil Pump
8	2466 796	1			ECB	DGC	BUSHING, Front Pump
9	4412 475	1			ECB	DGC	SEAL, Impeller Hub, 57.25mm OD

<b>DODGE - PLYMOUTH - CHRYSLER NEON (PL)</b>				
SERIES	LINE	BODY	ENGINE	TRANSMISSION
L=Low Line	Z= RHD	41 = 4 Door, 104.0WB	ECB =2.0L 4 Cyl. SOHC	DD5 = 5 Speed Manual
H=High Line	D= Dodge		EBD = 1.8L 4Cyl SOHC	DGC = 3 Speed Automatic
	D= Chrysler			DG0 = All Automatic
	P= Plymouth			DBB = All Manual

AR = Use as required - = Non illustrated part # = New this model year

May 3, 2002

### Clutch, Rear And Input Shaft, (DGC) Figure 31TH-415



ITEM	PART NUMBER	QTY	LINE	SERIES	ENGINE	TRANS	DESCRIPTION
NOTE: SALES CODES: DGC - 3 Spd Auto Trans 31TH n key.							
ECB = 2.0L 4 Cyl - SOHC n key.							
1	4377 047	3			ECB	DGC	SEAL, Input Shaft
2	4348 397	1			ECB	DGC	INPUT SHAFT, Transaxle
3	4269 593	1			ECB	DGC	SEAL, Rear Clutch Retainer, 1.75 OD
4	5205 680	1			ECB	DGC	THRUST WASHER, Rear Clutch
5	4348 856	1			ECB	DGC	RETAINER, Transmission Rear Clutch
6	5205 691	1			ECB	DGC	SNAP RING, Input Shaft
7	5224 039	AR			ECB	DGC	THRUST WASHER, Output Shaft, 1.98-2.03mm
-8	5224 040	AR			ECB	DGC	THRUST WASHER, Output Shaft, 2.16-2.21mm
-9	5224 041	AR			ECB	DGC	THRUST WASHER, Output Shaft, 2.34-2.39mm
10	5212 373	1			ECB	DGC	SEAL, Rear Clutch Piston
11	4207 202	1			ECB	DGC	PISTON, Clutch
-12	0147 483	1			ECB	DGC	CHECK BALL, Dia-.187
13	5205 701	1			ECB	DGC	SEAL, Rear Clutch Piston
14	4269 623	1			ECB	DGC	SPRING, Rear Clutch Piston
15	4207 265	1			ECB	DGC	SPRING, Rear Clutch
16	4269 618	1			ECB	DGC	PLATE, Transmission Clutch Reaction
17	4659 378	3			ECB	DGC	PLATE, Transmission Clutch Reaction
18	4659 191	4			ECB	DGC	DISC, Clutch
19	4269 619	1			ECB	DGC	PLATE, Transmission Clutch Reaction
20							SNAP RING
	1942 421	AR			ECB	DGC	.060-.062 Inch Thk.
	4130 774	AR			ECB	DGC	.074-.076 Inch Thk.
	4130 775	AR			ECB	DGC	.087-.089 Inch Thk.
	4269 670	AR			ECB	DGC	.048-.050 Inch Thk.

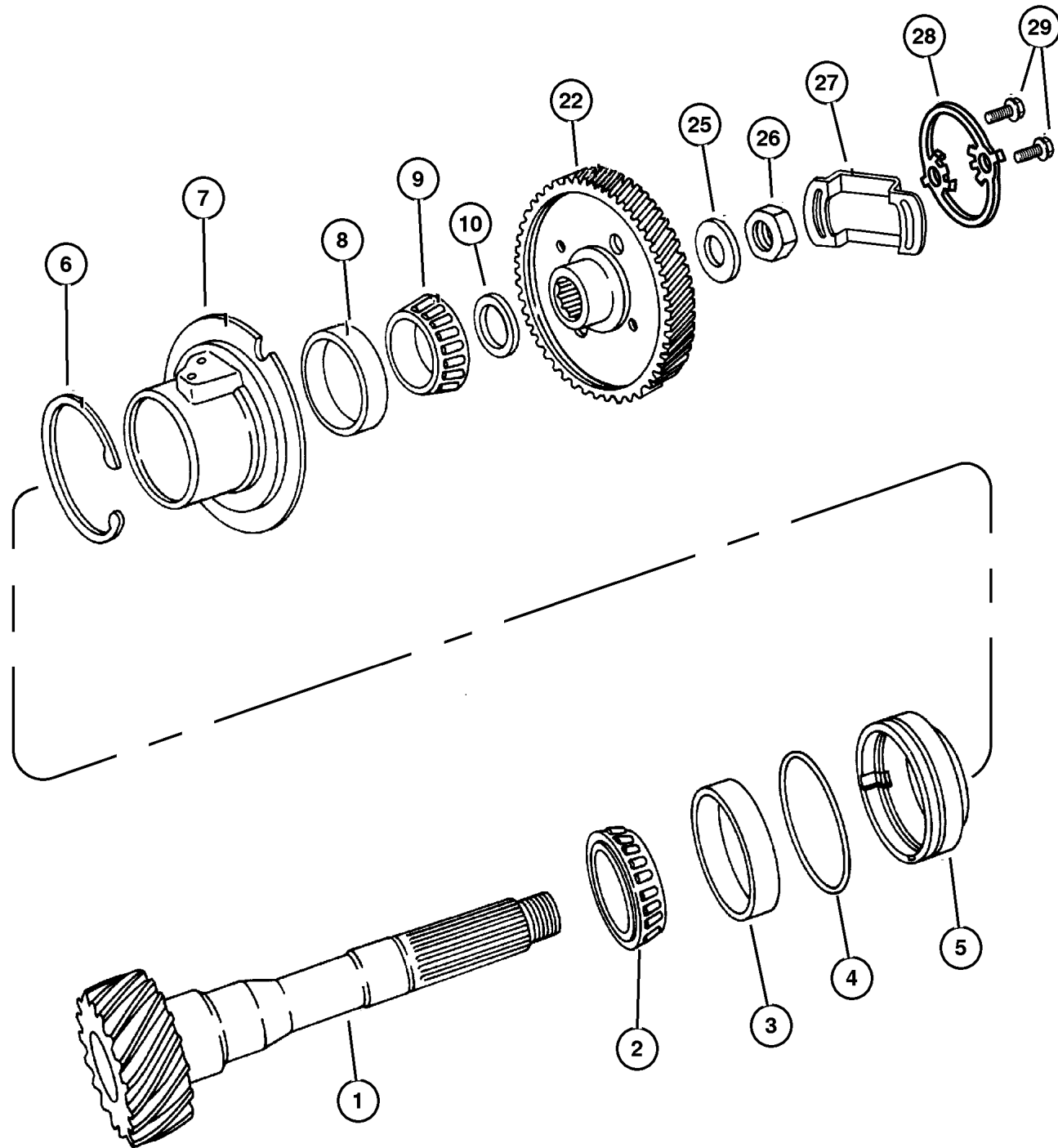
**DODGE - PLYMOUTH - CHRYSLER NEON (PL)**

SERIES	LINE	BODY	ENGINE	TRANSMISSION
L=Low Line	Z= RHD	41 = 4 Door, 104.0WB	ECB =2.0L 4 Cyl. SOHC	DD5 = 5 Speed Manual
H=High Line	D= Dodge		EBD = 1.8L 4Cyl SOHC	DGC = 3 Speed Automatic
	D= Chrysler			DG0 = All Automatic
	P= Plymouth			DBB = All Manual

AR = Use as required - = Non illustrated part # = New this model year

May 3, 2002

**Shaft, Transfer, (DGC)  
Figure 31TH-425**



ITEM	PART NUMBER	QTY	LINE	SERIES	ENGINE	TRANS	DESCRIPTION
NOTE: SALES CODES: DGC = 3 Spd Auto Trans 31TH n key. ECB = 2,0L 4 Cyl - SOHC n key.							
1							SHAFT, Transfer Gear
	4659 624	1			ECB	DGC	20 Teeth, with 3.19 Ratio
	4659 626	1			ECB	DGC	21 Teeth, with 2.98 Ratio
2	4567 025AB	1			ECB	DGC	BEARING
3	4567 022	1			ECB	DGC	BEARING CUP, Differential
4	6500 169	1			ECB	DGC	O RING, Transfer Shaft Bearing Retainer, ATX
5	4269 688	1			ECB	DGC	RETAINER, Bearing
6	5212 353	1			ECB	DGC	SNAP RING
7	5212 371	1			ECB	DGC	RETAINER, Transmission Governor Support
8	4567 022	1			ECB	DGC	BEARING CUP, Differential
9	4567 025AB	1			ECB	DGC	BEARING
10	4207 166	1			ECB	DGC	SPACER, Transfer Shaft, 0.94mm(.037")
-11	4207 167	1			ECB	DGC	SPACER, Transfer Shaft, 0.99mm(.039")
-12	4207 168	1			ECB	DGC	SPACER, Transfer Shaft, 1.04mm(.041")
-13	4207 169	1			ECB	DGC	SPACER, Transfer Shaft, 1.09mm(.043")
-14	4207 170	1			ECB	DGC	SPACER, Transfer Shaft, 1.14mm(.045")
-15	4207 171	1			ECB	DGC	SPACER, Transfer Shaft, 1.19mm(.047")
-16	4207 172	1			ECB	DGC	SPACER, Transfer Shaft, 1.24mm(.051")
-17	4207 173	1			ECB	DGC	SPACER, Transfer Shaft, 1.29mm(.052")
-18	4207 174	1			ECB	DGC	SPACER, Transfer Shaft, 1.34mm(.053")
-19	4207 175	1			ECB	DGC	SPACER, Transfer Shaft, 1.39mm(.055")
-20	4207 176	1			ECB	DGC	SPACER, Transfer Shaft, 1.84mm(.072")
-21	4207 177	1			ECB	DGC	SPACER, Transfer Shaft, 2.29mm(.090")
22	4773 281	1			ECB	DGC	GEAR PACKAGE, Output And Transfer Shaft
-23	4772 591	1			ECB	DGC	GEAR, Transfer Shaft, Mexico Only
-24	4772 592	1			ECB	DGC	GEAR, Output Shaft, Mexico Only
25	5222 010	1			ECB	DGC	WASHER, Output Shaft
26	5222 009	1			ECB	DGC	NUT, Hex, M20x1.5
27	4567 336	1			ECB	DGC	STIRRUP, Retainer Nut
28	4659 134	1			ECB	DGC	STRAP, Retaining
29	6503 355	2			ECB	DGC	BOLT, Hex Head, M8x1.25x10.00

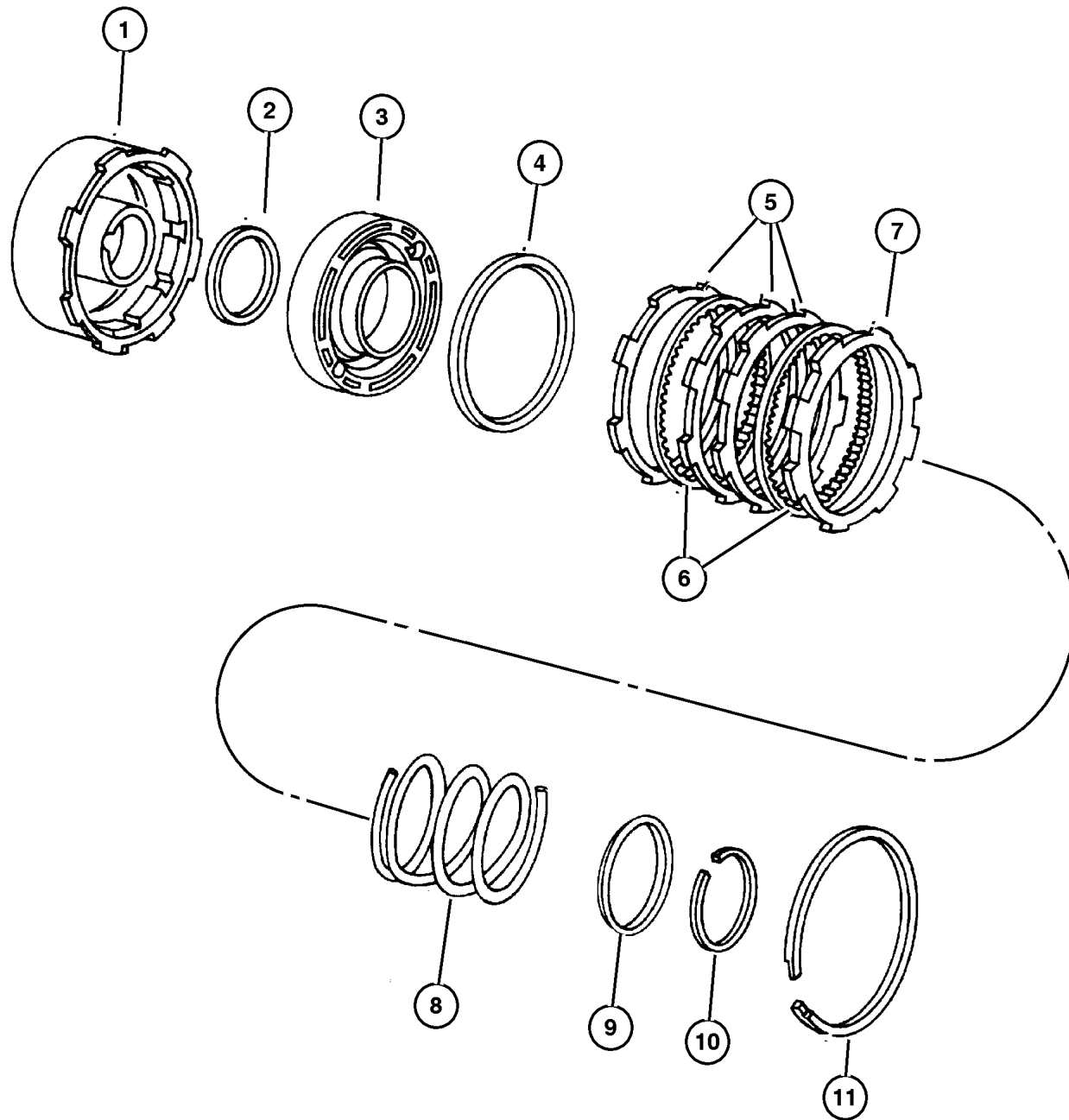
**DODGE - PLYMOUTH - CHRYSLER NEON (PL)**

SERIES	LINE	BODY	ENGINE	TRANSMISSION
L=Low Line	Z= RHD	41 = 4 Door, 104.0WB	ECB =2.0L 4 Cyl. SOHC	DD5 = 5 Speed Manual
H=High Line	D= Dodge		EBD = 1.8L 4Cyl SOHC	DGC = 3 Speed Automatic
	D= Chrysler			DG0 = All Automatic
	P= Plymouth			DBB = All Manual

AR = Use as required - = Non illustrated part # = New this model year

May 3, 2002

Clutch, Front, (DGC)  
Figure 31TH-435



ITEM	PART NUMBER	QTY	LINE	SERIES	ENGINE	TRANS	DESCRIPTION
NOTE: SALES CODES: DGC - 3 Spd Auto Trans 31TH n key.							
ECB = 2.0L 4 Cyl - SOHC n key.							
1	4348 854	1			ECB	DGC	RETAINER, Transmission Front Clutch
2	4800 015AA	1			ECB	DGC	SEAL, Front Clutch Piston
3	4348 855	1			ECB	DGC	PISTON, Clutch
4	4800 017AA	1			ECB	DGC	SEAL, Front Piston Clutch
5	4659 379	4			ECB	DGC	PLATE, Transmission Clutch Reaction
6	4567 887	4			ECB	DGC	DISC, Direct Clutch
7	4348 888	1			ECB	DGC	PLATE, Transmission Clutch Reaction
8	4207 227	1			ECB	DGC	SPRING, Front Clutch
9	5205 673	1			ECB	DGC	RETAINER, Differential, Front Clutch Spring
10	5205 674	1			ECB	DGC	SNAP RING
11	4659 652	1			ECB	DGC	SNAP RING

DODGE - PLYMOUTH - CHRYSLER NEON (PL)

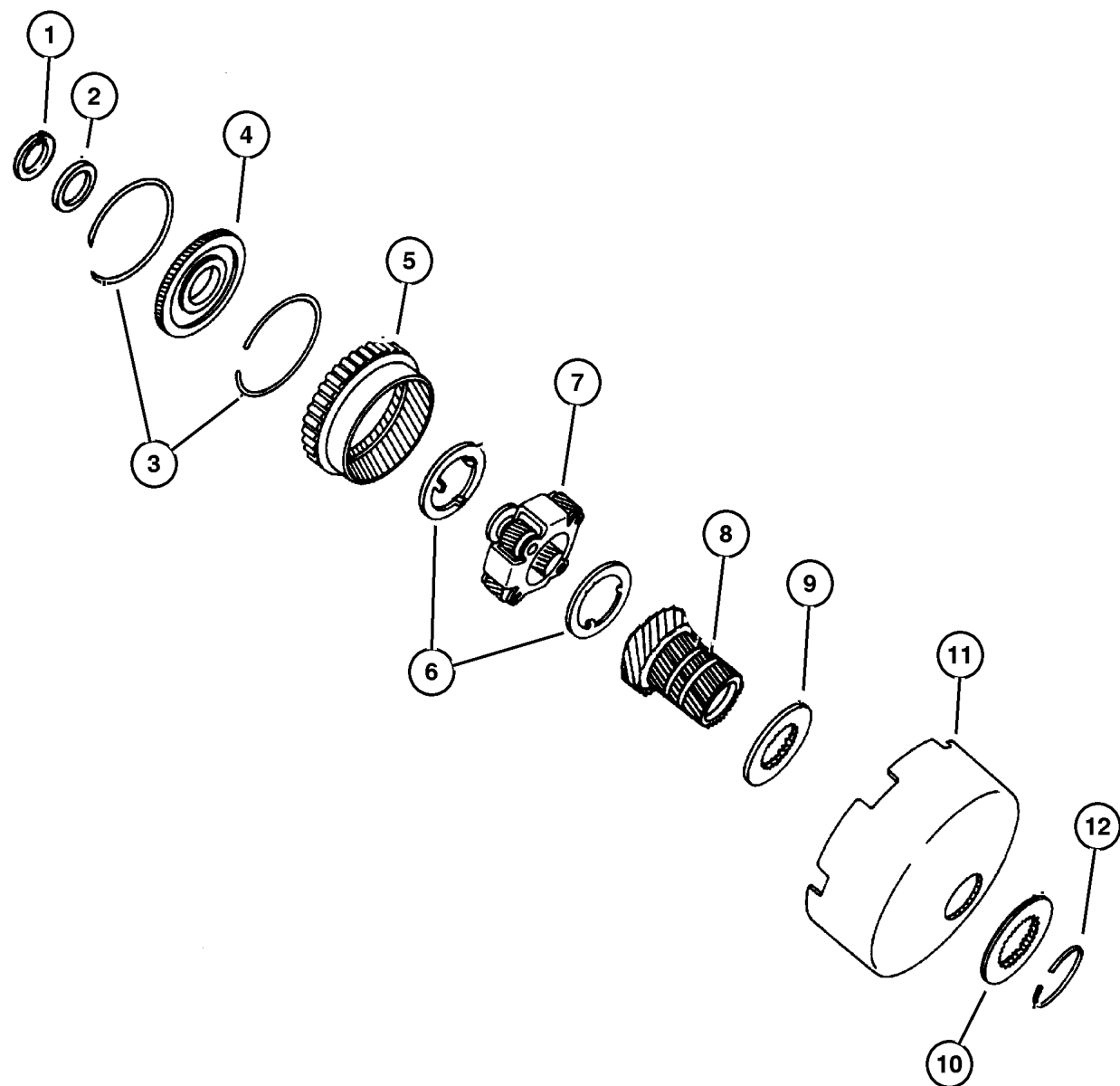
SERIES	LINE	BODY	ENGINE	TRANSMISSION
L=Low Line	Z= RHD	41 = 4 Door, 104.0WB	ECB =2.0L 4 Cyl. SOHC	DD5 = 5 Speed Manual
H=High Line	D= Dodge		EBD = 1.8L 4Cyl SOHC	DGC = 3 Speed Automatic
	D= Chrysler			DG0 = All Automatic
	P= Plymouth			DBB = All Manual

AR = Use as required - = Non illustrated part # = New this model year

May 3, 2002



**Gears, Front Annulus And Sun, (DGC)  
Figure 31TH-445**



ITEM	PART NUMBER	QTY	LINE	SERIES	ENGINE	TRANS	DESCRIPTION
NOTE: SALES CODES: DGC = 3 Spd Auto Trans 31TH n key. ECB = 2.0L 4 Cyl - SOHC n key.							
1	5222 022	1			ECB	DGC	SNAP RING
2	5222 493	1			ECB	DGC	THRUST WASHER, Annulus Gear
3	5224 079	2			ECB	DGC	SNAP RING
4	5224 070	1			ECB	DGC	SUPPORT, Annulus Gear
5	4269 620	1			ECB	DGC	GEAR, Front Annulus
6	4659 163	2			ECB	DGC	THRUST WASHER, Planetary Carrier
7	4659 141	1			ECB	DGC	CARRIER, Planetary Pinion
8	4567 133	1			ECB	DGC	GEAR, Sun
9	5224 236	1			ECB	DGC	SPACER, Sun Gear
10	5205 737	1			ECB	DGC	PLATE, Transmission Module
11	4207 195	1			ECB	DGC	SHELL, Sun Gear
12	5205 739	1			ECB	DGC	SNAP RING, Sun Gear Shell

**DODGE - PLYMOUTH - CHRYSLER NEON (PL)**

SERIES	LINE	BODY	ENGINE	TRANSMISSION
L=Low Line	Z= RHD	41 = 4 Door, 104.0WB	ECB =2.0L 4 Cyl. SOHC	DD5 = 5 Speed Manual
H=High Line	D= Dodge		EBD = 1.8L 4Cyl SOHC	DGC = 3 Speed Automatic
	D= Chrysler			DG0 = All Automatic
	P= Plymouth			DBB = All Manual

AR = Use as required - = Non illustrated part # = New this model year

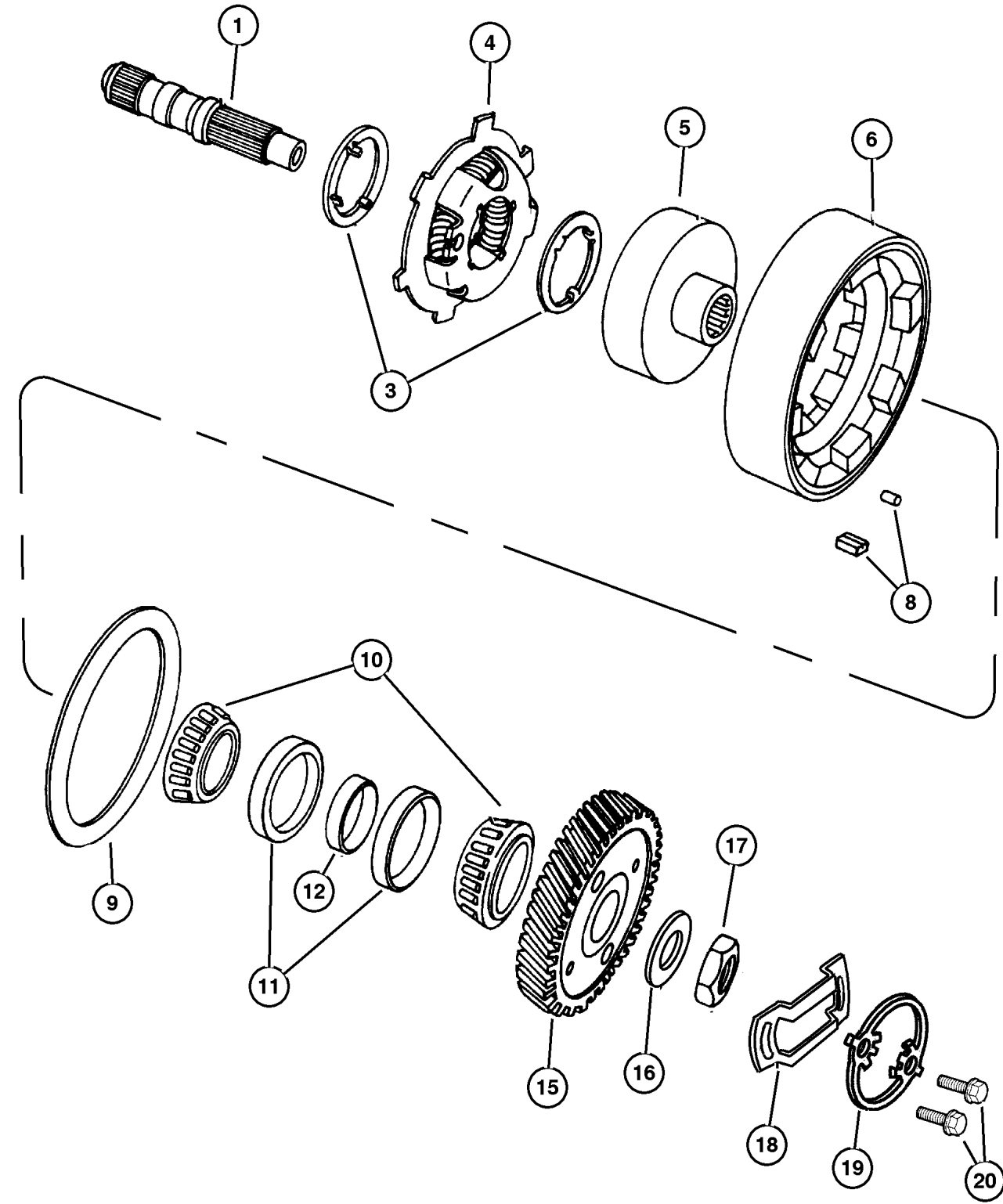
May 3, 2002

**Shaft, Output, Rear Carrier, Reverse Drum, And Overrunning Clutch, (DGC)  
Figure 31TH-460**

ITEM	PART NUMBER	QTY	LINE	SERIES	ENGINE	TRANS	DESCRIPTION
------	-------------	-----	------	--------	--------	-------	-------------

NOTE: SALES CODES: DGC = 3 Spd Auto Trans 31TH n key.  
ECB = 2.0L 4 Cyl - SOHC n key.

1	4348 932	1			ECB	DGC	OUTPUT SHAFT, Rear Axle
-2	5205 691	1			ECB	DGC	SNAP RING, Input Shaft
3	5205 724	2			ECB	DGC	THRUST WASHER, Planetary Carrier
4	4659 414AB	1			ECB	DGC	CARRIER, Planetary Pinion
5	5222 047	1			ECB	DGC	GEAR, Rear Annulus
6	4659 545	1			ECB	DGC	DRUM, Automatic Transmission
-7	5222 137	1			ECB	DGC	FITTING, Reducer
8	4186 886	1			ECB	DGC	SRING AND ROLLER PACKAGE, Overrunning Clutch
9	5205 772	1			ECB	DGC	THRUST WASHER, Overrunning Clutch
10	4567 259	2			ECB	DGC	BEARING CONE, Output Shaft
11	4567 260	2			ECB	DGC	BEARING CUP, Output Shaft
12	4207 162	1			ECB	DGC	SPACER, Output Shaft, 12.65mm
-13	4207 163	1			ECB	DGC	SPACER, Output Shaft, 13.65mm
-14	5224 152	AR			ECB	DGC	SPACER, Output Shaft, 14.99mm
15	4773 281	1			ECB	DGC	GEAR PACKAGE, Output And Transfer Shaft
16	5222 010	1			ECB	DGC	WASHER, Output Shaft
17	5222 009	1			ECB	DGC	NUT, Hex, M20x1.5
18	4567 336	1			ECB	DGC	STIRRUP, Retainer Nut
19	4659 134	1			ECB	DGC	STRAP, Retaining
20	6503 355	2			ECB	DGC	BOLT, Hex Head, M8x1.25x10.00

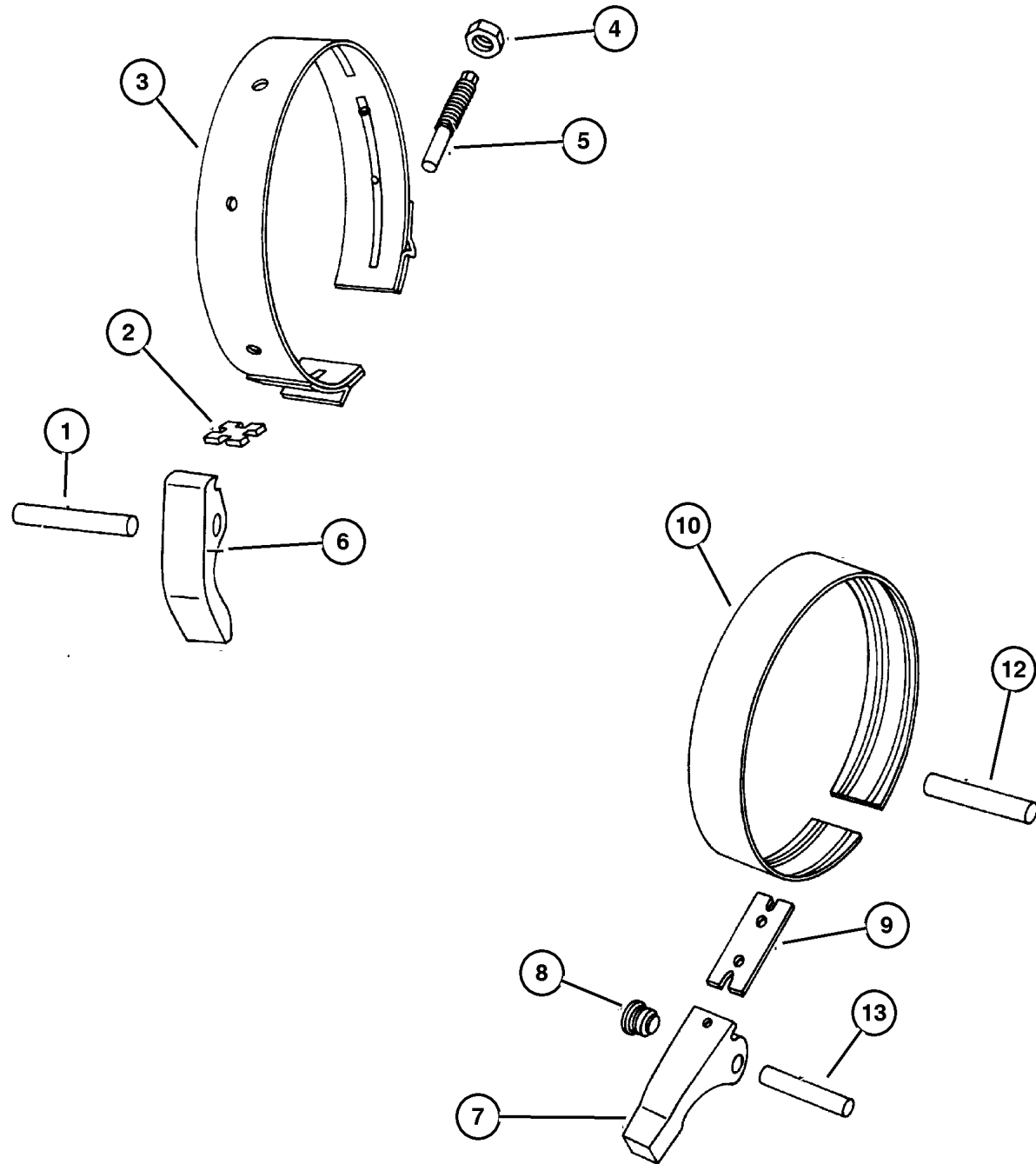


**DODGE - PLYMOUTH - CHRYSLER NEON (PL)**  
 SERIES LINE BODY ENGINE TRANSMISSION  
 L=Low Line Z=RHD 41 = 4 Door, 104.0WB ECB =2.0L 4 Cyl. SOHC DD5 = 5 Speed Manual  
 H=High Line D= Dodge EBD = 1.8L 4Cyl SOHC DGC = 3 Speed Automatic  
 D= Chrysler DG0 = All Automatic  
 P= Plymouth DBB = All Manual

AR = Use as required - = Non illustrated part # = New this model year

May 3, 2002

**Bands, Reverse And Kickdown,(DGC)  
Figure 31TH-520**



ITEM	PART NUMBER	QTY	LINE	SERIES	ENGINE	TRANS	DESCRIPTION
NOTE: SALES CODES: DGC = 3 Spd Auto Trans 31TH n key. ECB = 2.0L 4 Cyl - SOHC n key.							
1	4412 466	1			ECB	DGC	SHAFT, Band Lever
2	5212 343	1			ECB	DGC	STRUT, Kickdown Band
3	4659 732	1			ECB	DGC	BAND, Kickdown
4	5212 206	1			ECB	DGC	NUT, Band Adjusting Screw Lock
5	5212 255	1			ECB	DGC	STUD, Double Ended, M12x1.75/9x67
6	4348 857	1			ECB	DGC	LEVER, Kickdown
7	4207 182	1			ECB	DGC	LEVER, Reverse Band
8							PLUG, Pipe, .250-18x.560, (NOT SERVICED)
9	5224 264	1			ECB	DGC	STRUT, Reverse Band
10	4531 138	1			ECB	DGC	BAND, Reverse
-11	5224 140	1			ECB	DGC	SCREW, Reverse Band Adjusting, M8x1.25x42
12	5212 344	1			ECB	DGC	ANCHOR, Reverse Band
13	5222 090	1			ECB	DGC	SHAFT, Band Lever

**DODGE - PLYMOUTH - CHRYSLER NEON (PL)**

SERIES	LINE	BODY	ENGINE	TRANSMISSION
L=Low Line	Z= RHD	41 = 4 Door, 104.0WB	ECB =2.0L 4 Cyl. SOHC	DD5 = 5 Speed Manual
H=High Line	D= Dodge		EBD = 1.8L 4Cyl SOHC	DGC = 3 Speed Automatic
	D= Chrysler			DG0 = All Automatic
	P= Plymouth			DBB = All Manual

AR = Use as required - = Non illustrated part # = New this model year

May 3, 2002

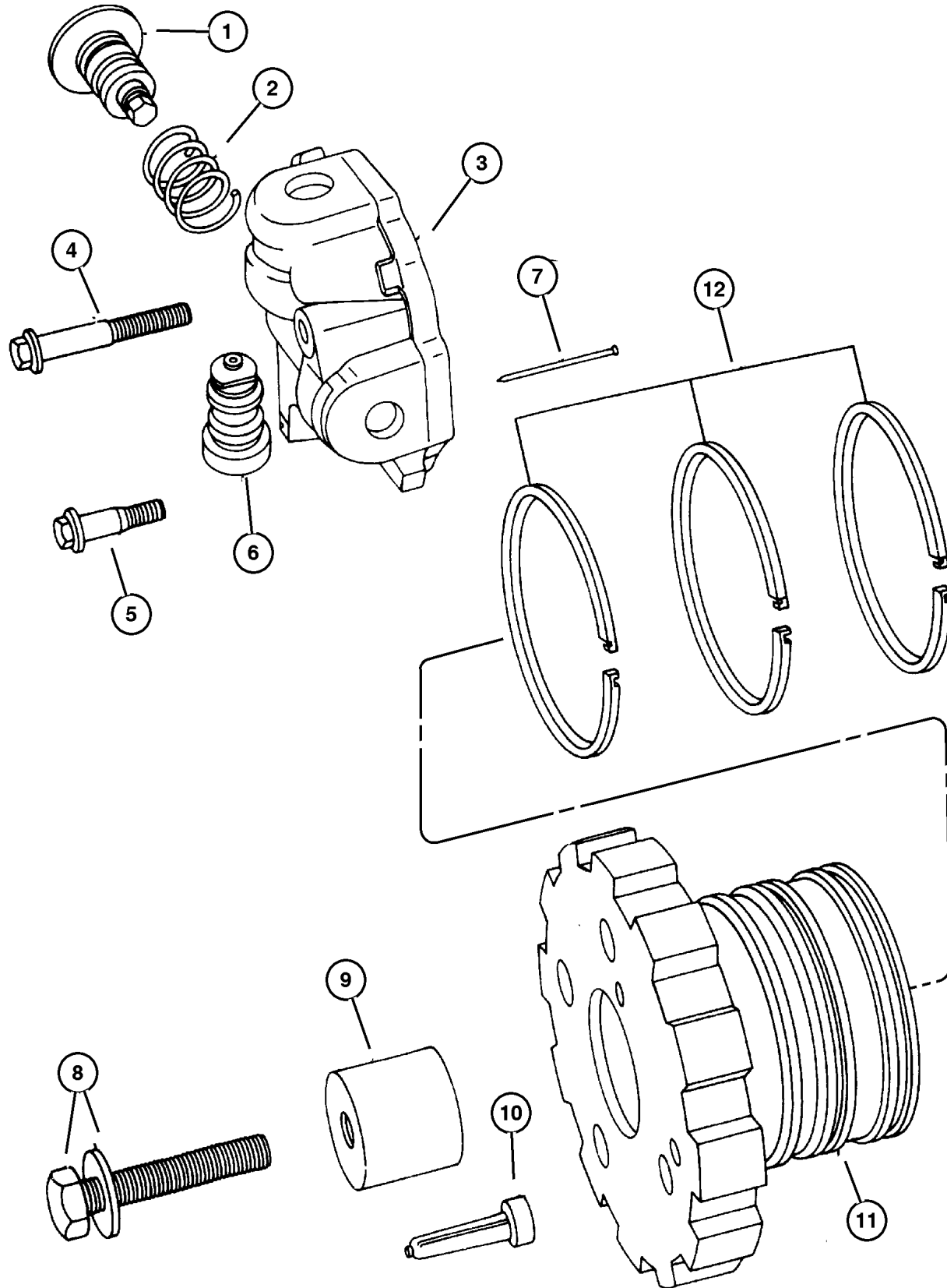
**Governor, (DGC)  
Figure 31TH-620**

ITEM	PART NUMBER	QTY	LINE	SERIES	ENGINE	TRANS	DESCRIPTION
------	-------------	-----	------	--------	--------	-------	-------------

NOTE: SALES CODES: DGC = 3 Spd Auto Trans 31TH n key.

ECB = 2.0L 4 Cyl = SOHC n key.

1	4207 183	1			ECB	DGC	VALVE, Governor
2	4567 447	1			ECB	DGC	SPRING, Governor Valve
3	4659 366	1			ECB	DGC	BODY, Governor
4	6500 209	1			ECB	DGC	SCREW, Hex Flange Head Locking, M5x.8x37
5	6500 208	2			ECB	DGC	SCREW, Shoulder Hex Flange Head, M5x.8x20
6	4269 641	1			ECB	DGC	VALVE, Governor
7							PIN, (NOT SERVICED)
8	6100 306	1			ECB	DGC	BOLT AND CONED WASHER, Hex Head, M8x35x20
9	5212 265	1			ECB	DGC	COUNTER WEIGHT, Governor
10	5205 839	1			ECB	DGC	FILTER, Transmission Governor
11	4659 352	1			ECB	DGC	SUPPORT, Governor
12	4269 594	3			ECB	DGC	SEAL, Governor Support



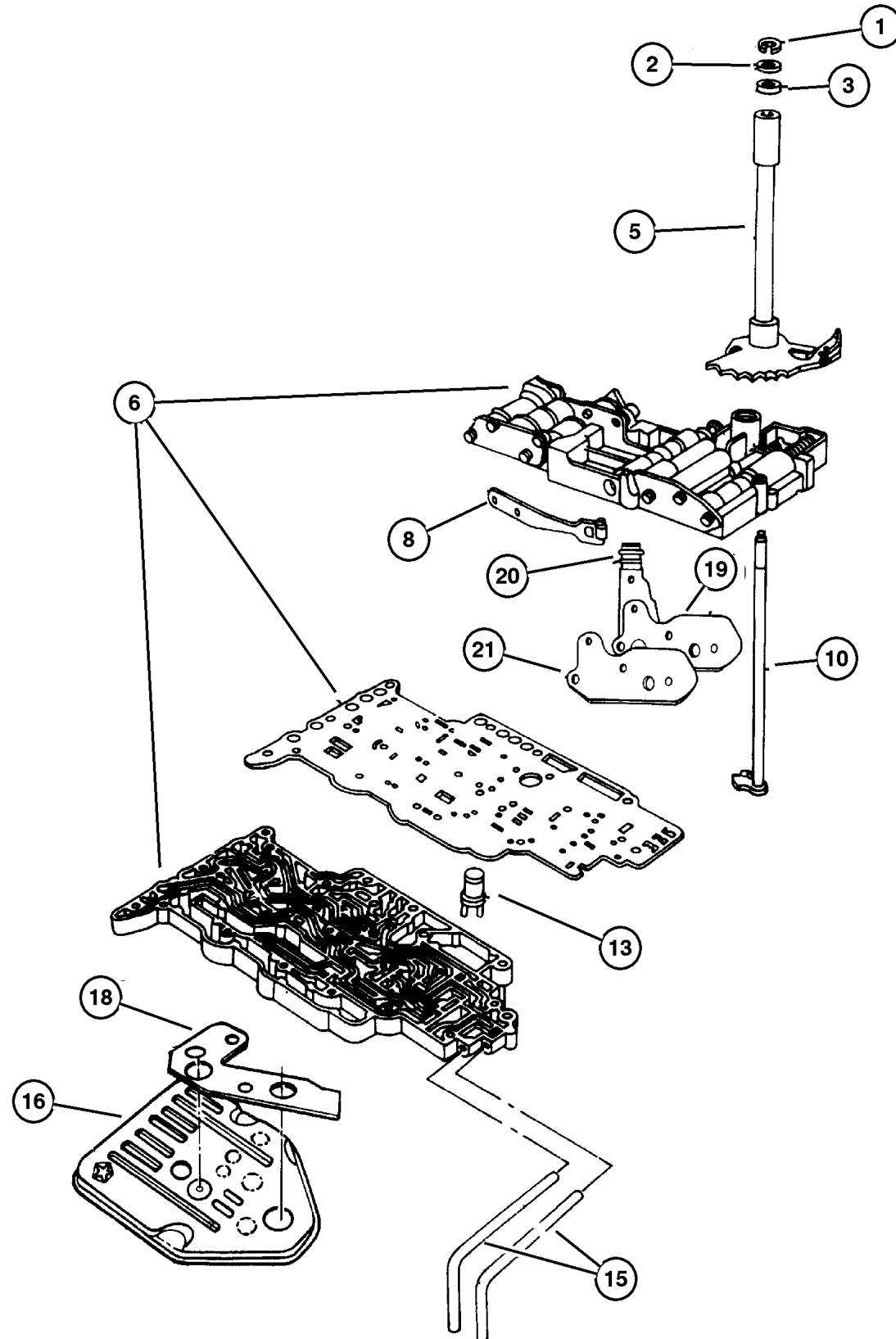
**DODGE - PLYMOUTH - CHRYSLER NEON (PL)**

SERIES	LINE	BODY	ENGINE	TRANSMISSION
L=Low Line	Z= RHD	41 = 4 Door, 104.0WB	ECB =2.0L 4 Cyl. SOHC	DD5 = 5 Speed Manual
H=High Line	D= Dodge		EBD = 1.8L 4Cyl SOHC	DGC = 3 Speed Automatic
	D= Chrysler			DG0 = All Automatic
	P= Plymouth			DBB = All Manual

AR = Use as required - = Non illustrated part # = New this model year

May 3, 2002

## Valve Body, (DGC) Figure 31TH-715



ITEM	PART NUMBER	QTY	LINE	SERIES	ENGINE	TRANS	DESCRIPTION
NOTE: SALES CODES: DGC = 3 Spd Auto Trans 31TH n key. ECB = 2.0L 4 Cyl - SOHC n key.							
1	6035 208	1			ECB	DGC	SNAP RING
2	2538 062	1			ECB	DGC	WASHER, Manual Valve Lever
3	2466 548	1			ECB	DGC	SEAL, Valve Lever Shift
-4	6500 207	1			ECB	DGC	SCREW, Special Head, M5x.8x42.40
5							LEVER, Manual Valve, Serviced In Valve Body, (NOT SERVICED)
6							VALVE BODY, Complete
	4659 612AB	1			ECB	DGC	Use with 4799901AB Trans - noncooler by pass valve, Export
	#4567 993AD	1			ECB	DGC	Use with 4800309AB Trans w/cooler by pass valve
	#4659 612AE	1			ECB	DGC	Use with 4799901AC Trans w/cooler by pass valve, Export
	4659 612AC	1			ECB	DGC	Use with 4799901AB Trans - noncooler by pass valve
	4567 993AC	1			ECB	DGC	Use With 4800309AA
-7	6100 994	1			ECB	DGC	DOWEL, M6x16
8	4269 584	1			ECB	DGC	DETENT, Valve Body
-9	4329 873	1			ECB	DGC	VALVE, Transmission Regulator
10	5212 244	1			ECB	DGC	SHAFT, Valve Body
-11	6503 232	1			ECB	DGC	SCREW, Pan Head, M5 x 0.8 x 12.60
-12	6500 215	16			ECB	DGC	SCREW AND WASHER, Pan Head, M5x.8x25
13	3878 313	1			ECB	DGC	SCREEN, Transmission Regulator Valve
-14	6100 155	7			ECB	DGC	BOLT, Hex Head, M8x30
15	5222 020	2			ECB	DGC	TUBE, Valve Body
16	4269 649	1			ECB	DGC	FILTER, Valve Body
-17	6500 216	2			ECB	DGC	SCREW AND WASHER, Pan Head, M5x.8x25
18	4269 671	1			ECB	DGC	GASKET, Transmission Fluid Filter
19	4799 954AA	1			ECB	DGC	SOLENOID, Transmission Lock Up
20	6030 608	1				DGC	SEAL, Oil Filler Tube
21	4412 305	1			ECB	DGC	GASKET, Lock-up Solenoid

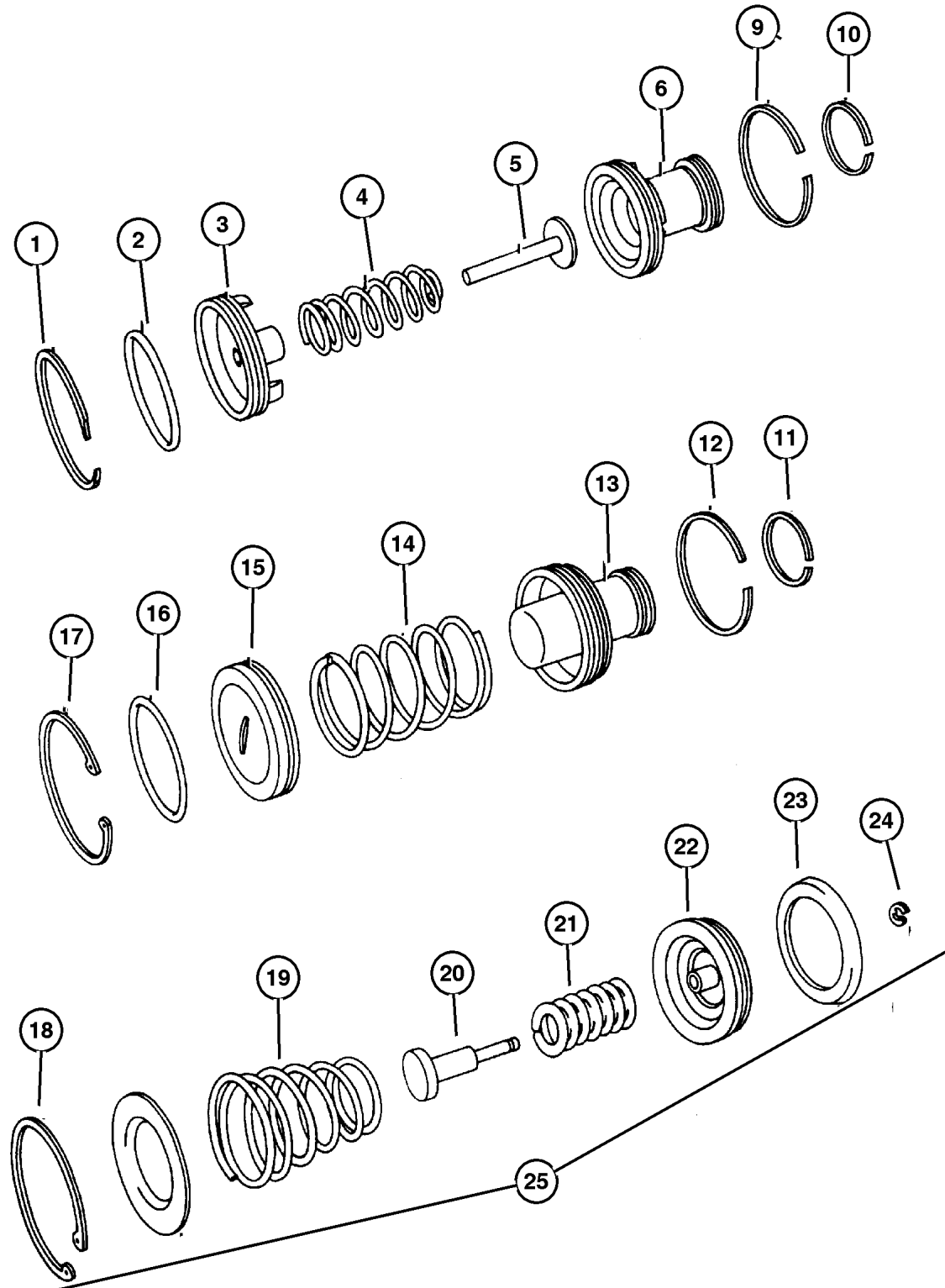
### DODGE - PLYMOUTH - CHRYSLER NEON (PL)

SERIES	LINE	BODY	ENGINE	TRANSMISSION
L=Low Line	Z= RHD	41 = 4 Door, 104.0WB	ECB =2.0L 4 Cyl. SOHC	DD5 = 5 Speed Manual
H=High Line	D= Dodge		EBD = 1.8L 4Cyl SOHC	DGC = 3 Speed Automatic
	D= Chrysler			DG0 = All Automatic
	P= Plymouth			DBB = All Manual

AR = Use as required - = Non illustrated part # = New this model year

May 3, 2002

Servos, Accumulator Piston And Springs, (DGC)  
Figure 31TH-725



ITEM	PART NUMBER	QTY	LINE	SERIES	ENGINE	TRANS	DESCRIPTION
NOTE: SALES CODES: DGC - 3 Spd Auto Trans 31TH n key.							
ECB = 2.0L 4 Cyl - SOHC n key.							
1	6031 765	1			ECB	DGC	SNAP RING
2	6031 545	1			ECB	DGC	SEAL, Accumulator
3	5224 344	1			ECB	DGC	GUIDE, Kickdown Servo
4	4659 331AB	1			ECB	DGC	SPRING, Kickdown Servo Piston
5	4058 943	1			ECB	DGC	ROD, Kickdown Servo Piston
6	4269 524	1			ECB	DGC	PISTON, Kickdown Servo
-7	6025 031	1			ECB	DGC	SNAP RING, 1.205 OD
-8	6031 410	1			ECB	DGC	O RING, Trans Kickdown Servo
9	3743 014	1			ECB	DGC	SEAL, Kickdown Servo
10	3743 033	1			ECB	DGC	SEAL, Kickdown Servo
11	3743 010	1			ECB	DGC	SEAL, Piston Accumulator, Small
12	3743 013	1			ECB	DGC	SEAL, Piston Accumulator, large
13	3743 650	1			ECB	DGC	PISTON, Accumulator
14	4659 332AB	1			ECB	DGC	SPRING, Accumulator
15	4205 857	1			ECB	DGC	PLATE PACKAGE, Accumulator
16	6031 545	1			ECB	DGC	SEAL, Accumulator
17	5212 252	1			ECB	DGC	SNAP RING
18	6031 909	1			ECB	DGC	SNAP RING
19	3681 434	1			ECB	DGC	SPRING, Reverse Servo Piston
20	4269 707	1			ECB	DGC	PLUG, Reverse Servo
21	4659 179	1			ECB	DGC	SPRING, Reverse Servo Piston
22	4659 837	1			ECB	DGC	PISTON, Reverse Servo
23	4269 736	1			ECB	DGC	SEAL, Reverse Servo Piston
24	1638 461	1			ECB	DGC	SNAP RING
25	4882 433	1			ECB	DGC	REVERSE SERVO PACKAGE

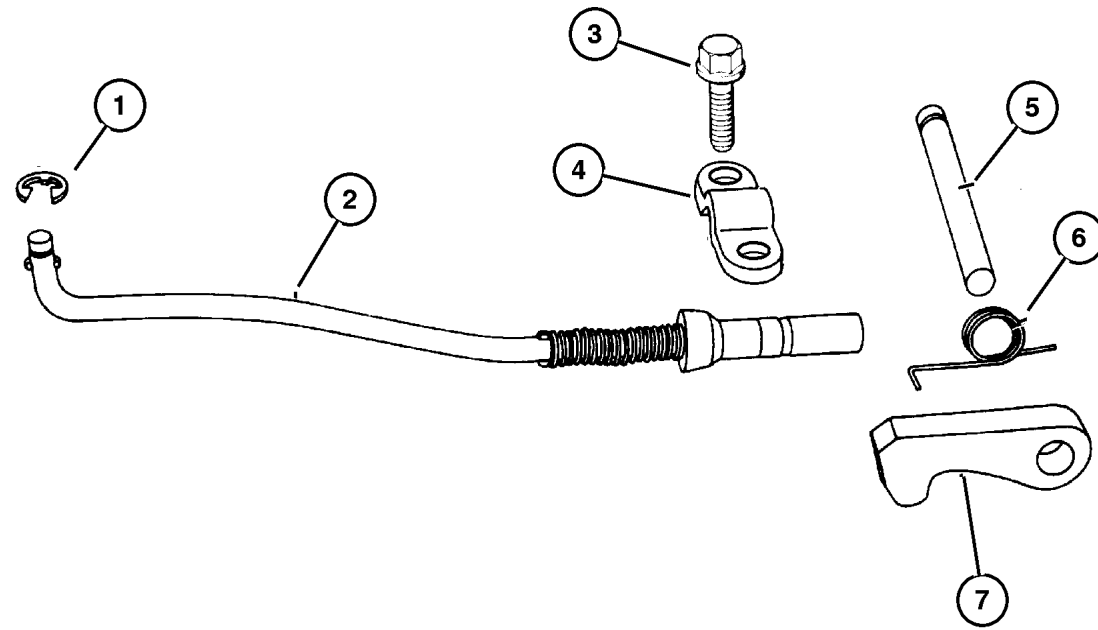
DODGE - PLYMOUTH - CHRYSLER NEON (PL)  
 SERIES LINE BODY ENGINE TRANSMISSION  
 L=Low Line Z=RHD 41 = 4 Door, 104.0WB ECB =2.0L 4 Cyl. SOHC DD5 = 5 Speed Manual  
 H=High Line D= Dodge EBD = 1.8L 4Cyl SOHC DGC = 3 Speed Automatic  
 D= Chrysler DG0 = All Automatic  
 P= Plymouth DBB = All Manual

AR = Use as required - = Non illustrated part # = New this model year

May 3, 2002

**Parking Sprag, (DGC)  
Figure 31TH-740**

ITEM	PART NUMBER	QTY	LINE	SERIES	ENGINE	TRANS	DESCRIPTION
NOTE: SALES CODES: DGC = 3 Spd Auto Trans 31TH n key. ECB = 2.0L 4 Cyl - SOHC n key.							
1	6035 256	1			ECB	DGC	SNAP RING, Rod
2	4431 530	1			ECB	DGC	ROD, Parking Sprag
3	6500 368	2			ECB	DGC	BOLT, Hex Flange Head, M8x1.25x23
4	5212 296	1			ECB	DGC	SUPPORT, Parking Sprag Rod
5	5212 010	1			ECB	DGC	SHAFT, Parking Sprag
6	5222 244	1			ECB	DGC	SPRING, Parking Sprag
7	5003 447AA	1			ECB	DGC	PAWL, Parking Sprag

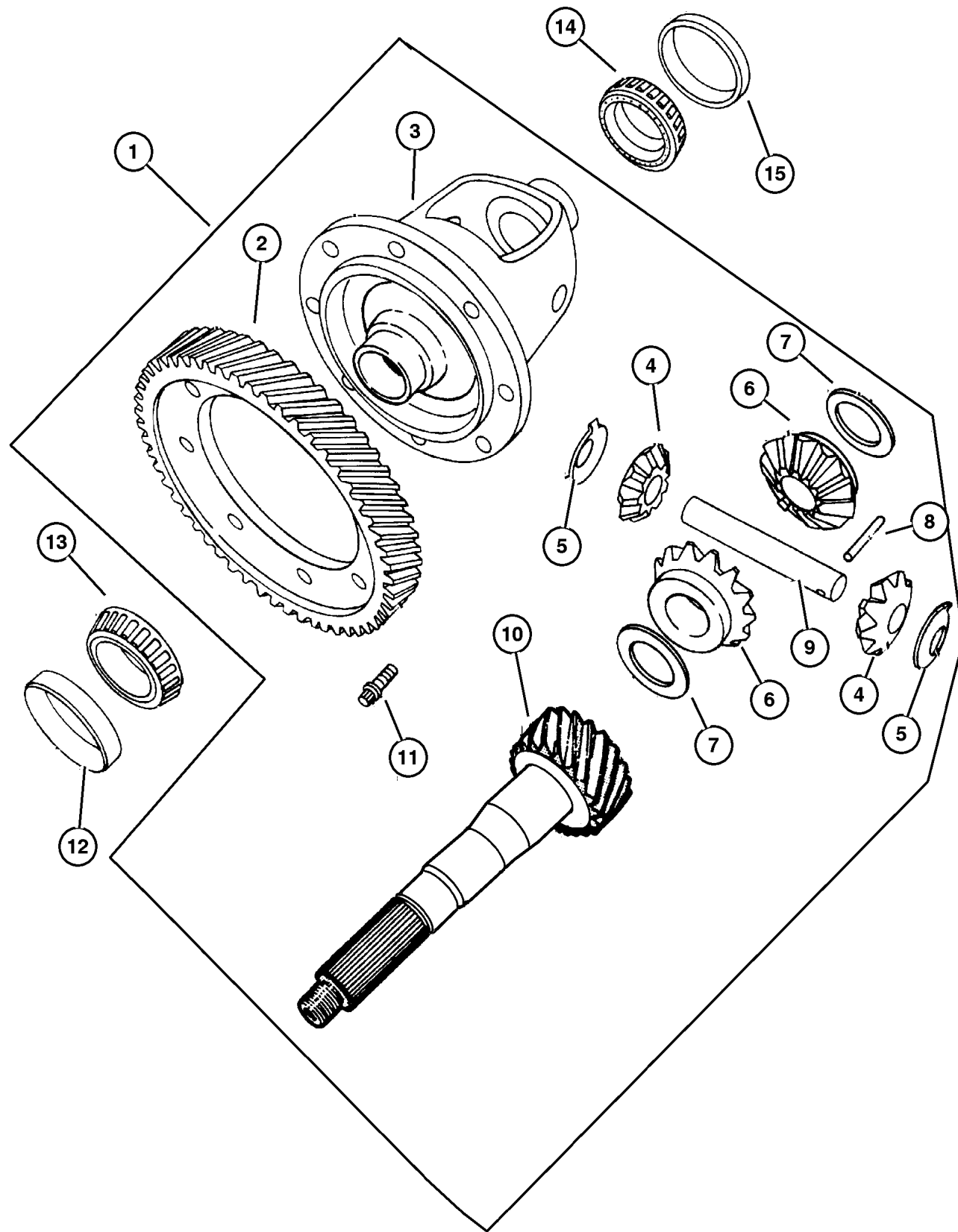


<b>DODGE - PLYMOUTH - CHRYSLER NEON (PL)</b>				
SERIES	LINE	BODY	ENGINE	TRANSMISSION
L=Low Line	Z= RHD	41 = 4 Door, 104.0WB	ECB =2.0L 4 Cyl. SOHC	DD5 = 5 Speed Manual
H=High Line	D= Dodge		EBD = 1.8L 4Cyl SOHC	DGC = 3 Speed Automatic
	D= Chrysler			DG0 = All Automatic
	P= Plymouth			DBB = All Manual

AR = Use as required - = Non illustrated part # = New this model year

May 3, 2002

Differential, (DGC)  
Figure 31TH-820



ITEM	PART NUMBER	QTY	LINE	SERIES	ENGINE	TRANS	DESCRIPTION
NOTE: SALES CODES: DGC = 3 Spd Trans 31TH n key.							
ECB = 2.0L 4 Cyl - SOHC n key.							
1	4659 680	1			ECB	DGC	DIFFERENTIAL, Transaxle
2	4659 627	1			ECB	DGC	GEAR, Differential Drive 60T
	4659 625	1			ECB	DGC	61T
3	4659 455	1			ECB	DGC	CASE, Transaxle
4	4348 679	2			ECB	DGC	PINION, Differential
5	4412 521	2			ECB	DGC	WASHER, Thrust
6	4659 502	2			ECB	DGC	GEAR, Differential Side
7	4504 568	AR			ECB	DGC	WASHER PACKAGE, Side Gear Thrust
8	6503 827	1			ECB	DGC	PIN, Pinion Shaft
9	4659 142	1			ECB	DGC	SHAFT, Pinion Gear
10							SHAFT, Transfer Gear
	4659 624	1			ECB	DGC	Mexico Only
	4659 626	1			ECB	DGC	
11	6501 240	12			ECB	DGC	BOLT, Hex Head, M10x1.00x25
12	4659 237	1			ECB	DGC	CUP, Differential Side Bearing
13	4659 238	1			ECB	DGC	BEARING CONE, Differential
14	4567 025AB	1			ECB	DGC	BEARING
15	4567 022	1			ECB	DGC	BEARING CUP, Differential

DODGE - PLYMOUTH - CHRYSLER NEON (PL)  
 SERIES LINE BODY ENGINE TRANSMISSION  
 L=Low Line Z=RHD 41 = 4 Door, 104.0WB ECB =2.0L 4 Cyl. SOHC DD5 = 5 Speed Manual  
 H=High Line D= Dodge EBD = 1.8L 4Cyl SOHC DGC = 3 Speed Automatic  
 D= Chrysler DG0 = All Automatic  
 P= Plymouth DBB = All Manual

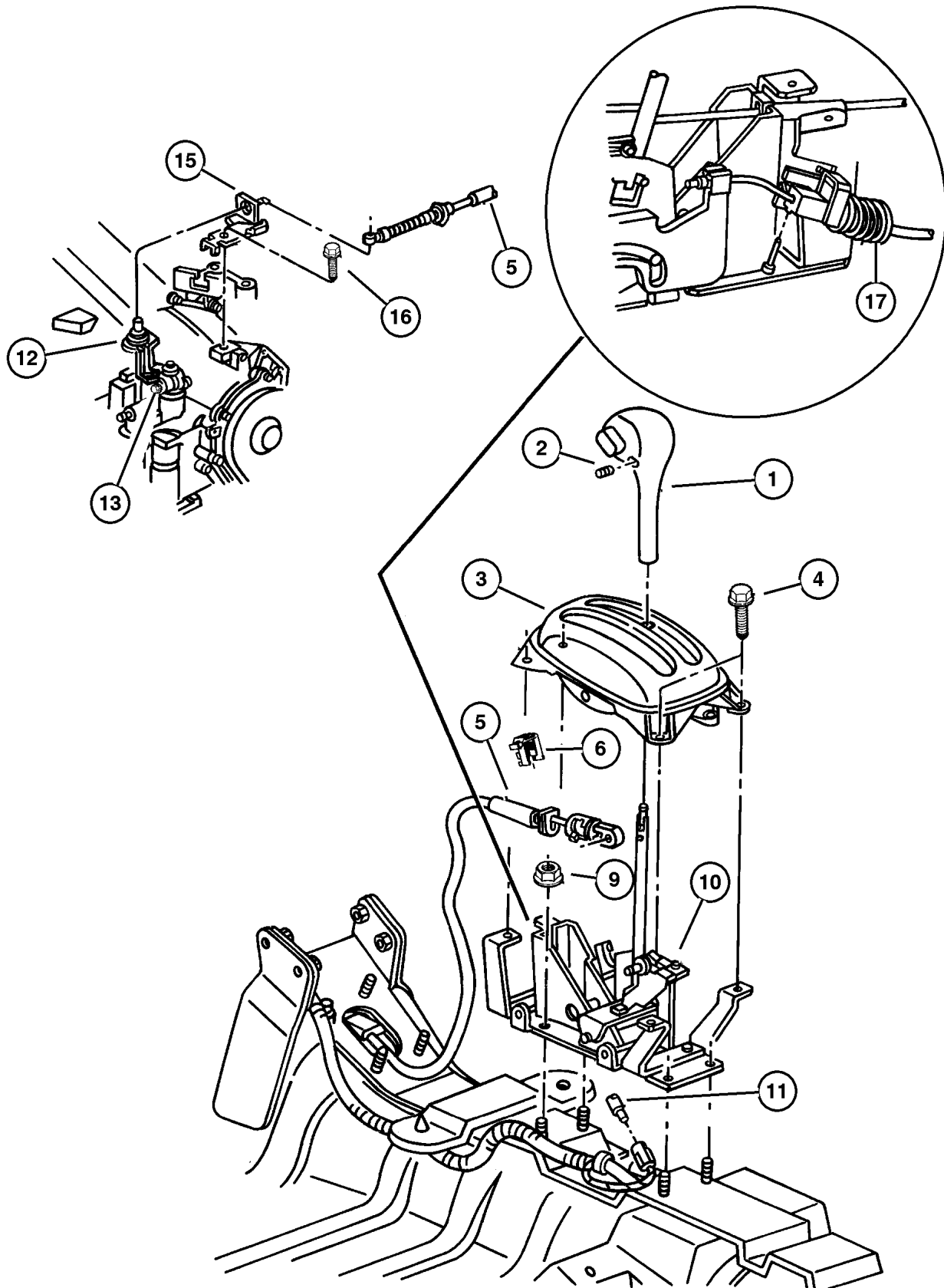
AR = Use as required - = Non illustrated part # = New this model year

May 3, 2002



**Controls, Gearshift, Floor Shift, (DGC)**  
**Figure 31TH-1201**

ITEM	PART NUMBER	QTY	LINE	SERIES	ENGINE	TRANS	DESCRIPTION
NOTE: SALES CODES: DGC = 3 Spd Auto Trans 31TH n key.							
1							KNOB, Gearshift
	#4668 575AA	1				DGC	
	#4668 576AA	1				DGC	Leather Wrapped
2	6504 104	1				DGC	SCREW, Set
3	#4671 417AC	1	D, P			DGC	BEZEL, Console PRNDL
4							SCREW, M5-.80x15, (NOT SERVICED)
5	#4668 900AC	1				DGC	CABLE, Gearshift Control
6	#4668 630AB	1				DGC	CLIP, Locking
-7	#6016 072	1				DGC	CLIP, Shift Cable
-8	#4670 042AC	1					PLATE, Transmission Shifter
9	6500 284	2					NUT, Hex, M6x1.00
10	#4668 205AC	1				DGC	SHIFTER, Transmission
11	L000 0194	1				DGC	BULB, 194
12	#4670 320AB	1				DGC	LEVER, Gearshift
13	6101 978	1				DGC	SCREW AND WASHER, Hex Head, M8-1.25x40
-14	5212 384	1				DGC	NUT, Transmission Lever Bolt, M6x1.00
15	#4668 315	1				DD5	BRACKET, Transmission Control Cable
16	6101 462	3					SCREW AND WASHER, Hex Head, M8x1.25x30
17							CABLE, Ignition Interlock
	#4668 538AA	1	D, P			DGC	
	#4668 538AB	1	Z			DGC	



**DODGE - PLYMOUTH - CHRYSLER NEON (PL)**

SERIES	LINE	BODY	ENGINE	TRANSMISSION
L=Low Line	Z= RHD	41 = 4 Door, 104.0WB	ECB =2.0L 4 Cyl. SOHC	DD5 = 5 Speed Manual
H=High Line	D= Dodge		EBD = 1.8L 4Cyl SOHC	DGC = 3 Speed Automatic
	D= Chrysler			DG0 = All Automatic
	P= Plymouth			DBB = All Manual

AR = Use as required - = Non illustrated part # = New this model year

May 3, 2002

# Group – A578

## Manual Transaxle 5 Speed

### GROUP A578 - Manual Transaxle 5 Speed

Illustration Title

Group-Fig. No.

#### Transaxle Assembly

Transaxle Assemblies, And Mounting (DD5) ..... Fig. A578-110

#### Case and Extension

Case, Transaxle And Related Parts, (DD5) ..... Fig. A578-210

#### Gear Train

Gear Train, (DD5) ..... Fig. A578-410

#### Differential

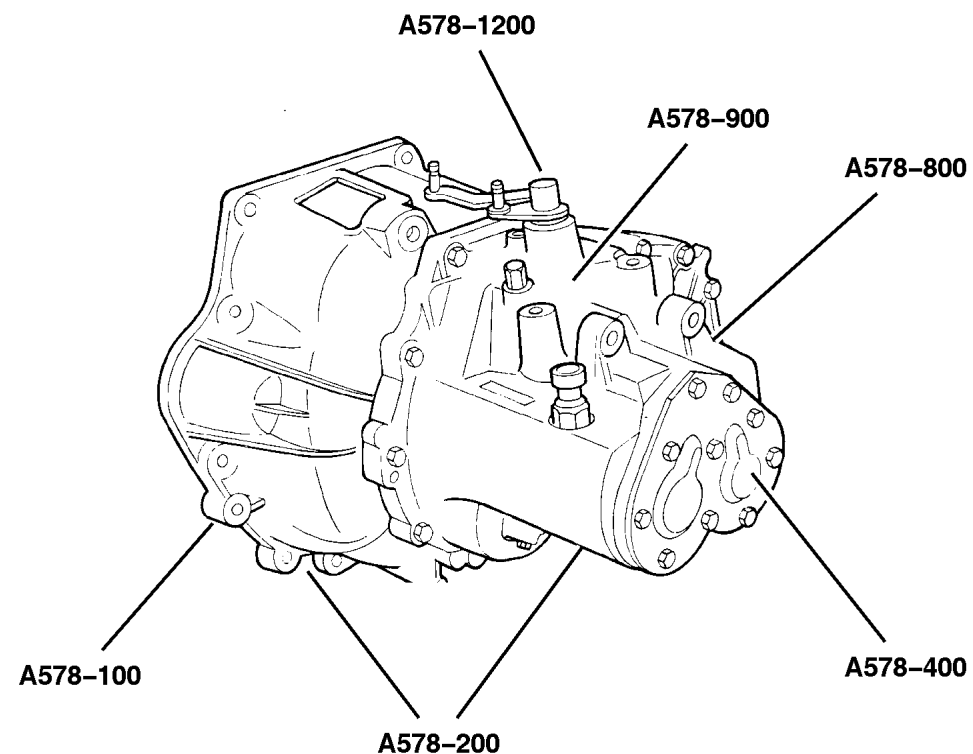
Differential, (DD5) ..... Fig. A578-810

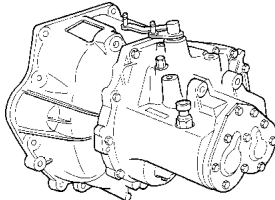
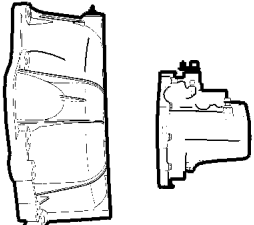
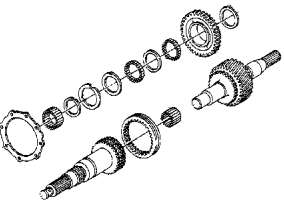
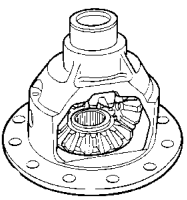
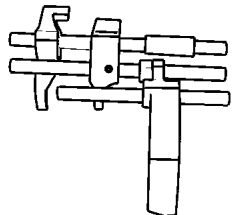
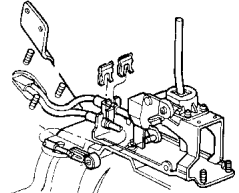
#### Fork and Rails

Fork And Rail, (DD5) ..... Fig. A578-910

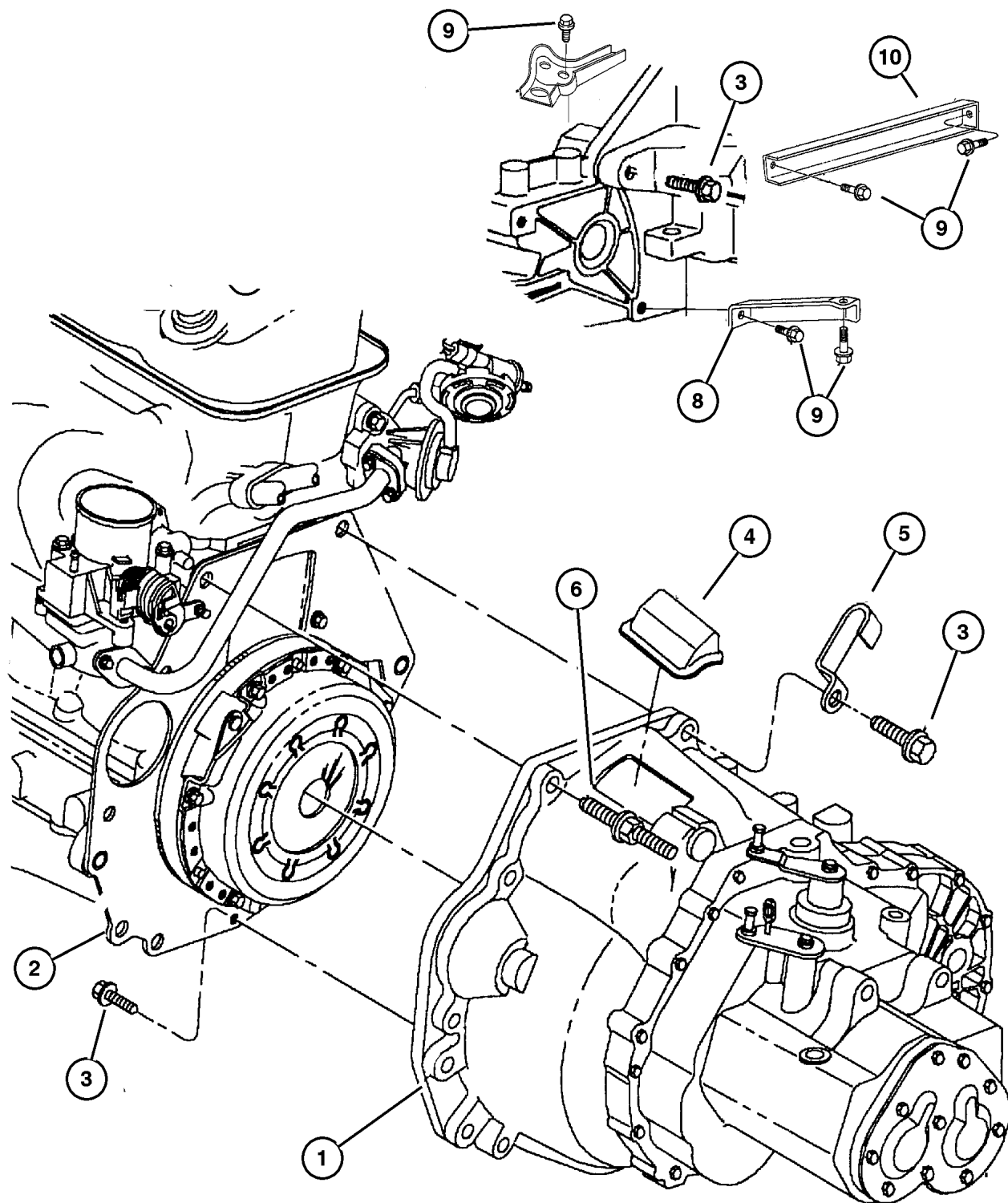
#### Gearshift Controls

Controls, Gearshift, (DD5) ..... Fig. A578-1210



<p><b>A578-100</b> Transaxle Assembly</p> 	<p><b>A578-200</b> Case and Extension</p> 	<p><b>A578-400</b> Gear Train</p> 	<p><b>A578-800</b> Differential</p> 
<p><b>A578-900</b> Fork and Rails</p> 	<p><b>A578-1200</b> Gearshift Controls</p> 		

**Transaxle Assemblies, And Mounting (DD5)**  
**Figure A578-110**



ITEM	PART NUMBER	QTY	LINE	SERIES	ENGINE	TRANS	DESCRIPTION
NOTE: SALES CODES: DD5 - 5 Spd Manual Trans A578 n key.							
DLV = 2.88 Overall Top Gear Ratio n key.							
DLW =3.20 Overall Top Gear Ratio n key.							
EBD = 1.8L 4 Cyl - SOHC n key.							
ECB = 2.0L 4 Cyl - SOHC n key.							
1	#5014 778AA	1				DD5	TRANSAXLE Sales Code -DLW - Production No. 4668605AA
	#5014 779AB	1	D, P		ECB	DD5	Sales Code -DLV - Production No. 4668604AB
2	4567 147	1				DD5	COVER, Transaxle Converter
3	6501 742	3				DD5	SCREW, Hex Head, M12x1.75x50
4	4670 019	1	D, P			DD5	BOOT, Clutch Release Lever
5	4608 404	1					CLIP, Transaxle
6							STUD
	#6505 314AA	2			EBD		
		2			ECB		
-7	4761 085	2	Z		EBD	DD5	STUD, M12x1.75/M10x1.25x94.5
8							BRACE, Transmission, (NOT REQUIRED)
9	6101 503	2					SCREW AND WASHER, Hex Head, M10x1.5x25
10	4668 176AC	1			EBD, ECB	DD5	STRUT, Engine

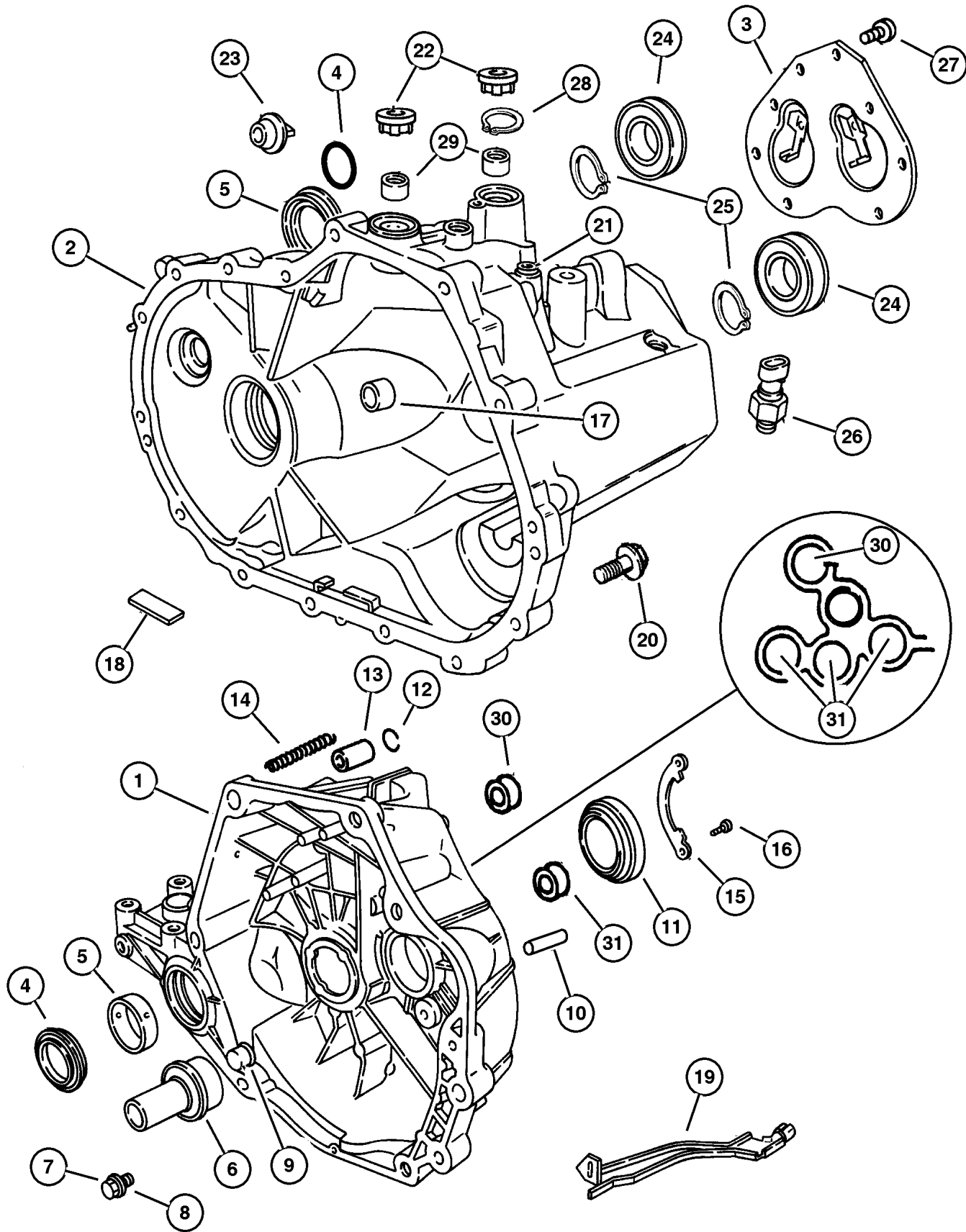
**DODGE - PLYMOUTH - CHRYSLER NEON (PL)**

SERIES	LINE	BODY	ENGINE	TRANSMISSION
L=Low Line	Z= RHD	41 = 4 Door, 104.0WB	ECB =2.0L 4 Cyl. SOHC	DD5 = 5 Speed Manual
H=High Line	D= Dodge		EBD = 1.8L 4Cyl SOHC	DGC = 3 Speed Automatic
	D= Chrysler			DG0 = All Automatic
	P= Plymouth			DBB = All Manual

AR = Use as required - = Non illustrated part # = New this model year

May 3, 2002

Case, Transaxle And Related Parts, (DD5)  
Figure A578-210



ITEM	PART NUMBER	QTY	LINE	SERIES	ENGINE	TRANS	DESCRIPTION
NOTE: SALES CODES: DD5 = 5 Spd Manual Trans A578 n key.							
EBD = 1.8L 4 Cyl - SOHC n key.							
ECB = 2.0L 4 Cyl - SOHC n key.							
1	5003 474AA	1				DD5	HOUSING, Clutch
2							CASE, Transmission
	4761 074	1				DD5	Up to and including 6-21-99
	#5016 883AA	1				DD5	after 6-21-99
3	#5014 463AA	1				DD5	PLATE, Transaxle Case Rear
4	4797 334	1				DD5	SEAL, Differential Bearing
5	4567 022	1				DD5	BEARING CUP, Differential
6	4761 090	1				DD5	BEARING, Input Shaft
7	4761 101	1				DD5	SCREW, Drain
8	4761 100	1				DD5	WASHER, Drain Plug
9	4670 240	1				DD5	PIVOT, Clutch Release Lever
10							PIN, Locating
	4761 099	2	D, P		ECB	DD5	
		2	D, P		EBD	DD5	
11	4761 093	1				DD5	BEARING PACKAGE, Output Shaft
12	4761 096	1				DD5	SNAP RING
13	4761 094	1				DD5	DETENT, Valve Body
14	4761 095	1				DD5	SPRING, Select Detent
15	4761 097	1				DD5	RETAINER, Transmission Output Shaft Bearing
16							BOLT, Output Shaft Bearing
	4761 098	2	D, P		ECB	DD5	
		2	D, P		EBD	DD5	
17							BUSHING, Shift Rail
	4740 899	1				DD5	15mm I/D, 12mm Long
	4761 076	1				DD5	15 mm I/D, 10 mm Long
	4762 605	3				DD5	14mm I/D, 10 mm Long
18	4761 078	1				DD5	MAGNET, Transmission
19	4761 087	1				DD5	TROUGH, Lubrication
20	6100 299	15					BOLT AND CONED WASHER, Hex Head, M8x45x17
21	2124 715	1				DD5	VENT, Cap, Jiggle
22	4761 077	1				DD5	SEAL, Shift Lever
23	4348 325	1				DD5	PLUG, Oil Fill
24							BEARING, Input Shaft
	5014 727AA	2	D, P		ECB	DD5	
		2	D, P		EBD	DD5	
	5013 634AA	2	D, P		ECB	DD5	With Stamp # [4668604AB]
25	4761 080	2				DD4	SNAP RING
26	4864 775	1				DD5	SWITCH, Back Up Lamp
27							BOLT, Case Plate

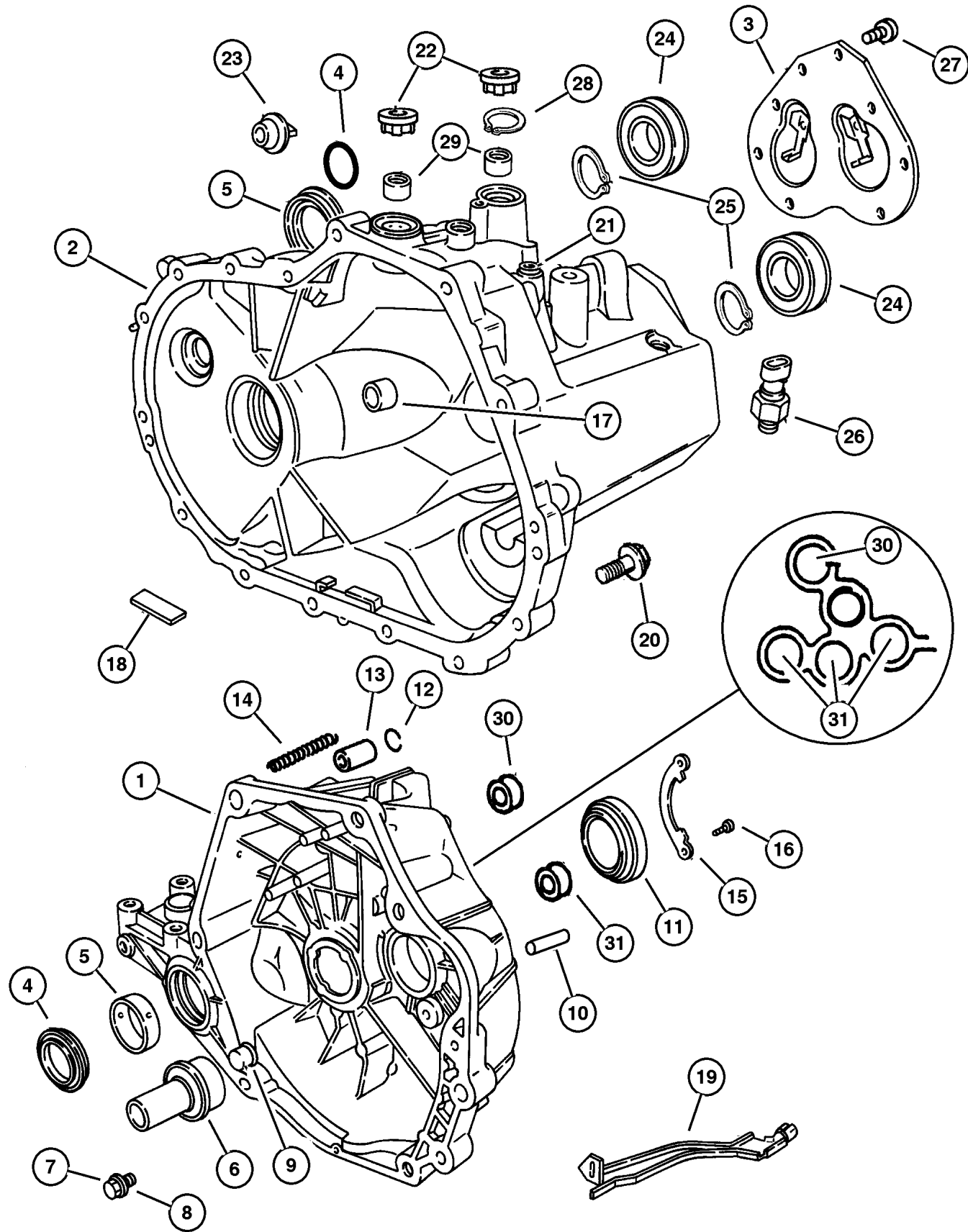
DODGE - PLYMOUTH - CHRYSLER NEON (PL)

SERIES	LINE	BODY	ENGINE	TRANSMISSION
L=Low Line	Z= RHD	41 = 4 Door, 104.0WB	ECB =2.0L 4 Cyl. SOHC	DD5 = 5 Speed Manual
H=High Line	D= Dodge		EBD = 1.8L 4Cyl SOHC	DGC = 3 Speed Automatic
	D= Chrysler			DG0 = All Automatic
	P= Plymouth			DBB = All Manual

AR = Use as required - = Non illustrated part # = New this model year

May 3, 2002

Case, Transaxle And Related Parts, (DD5)  
Figure A578-210



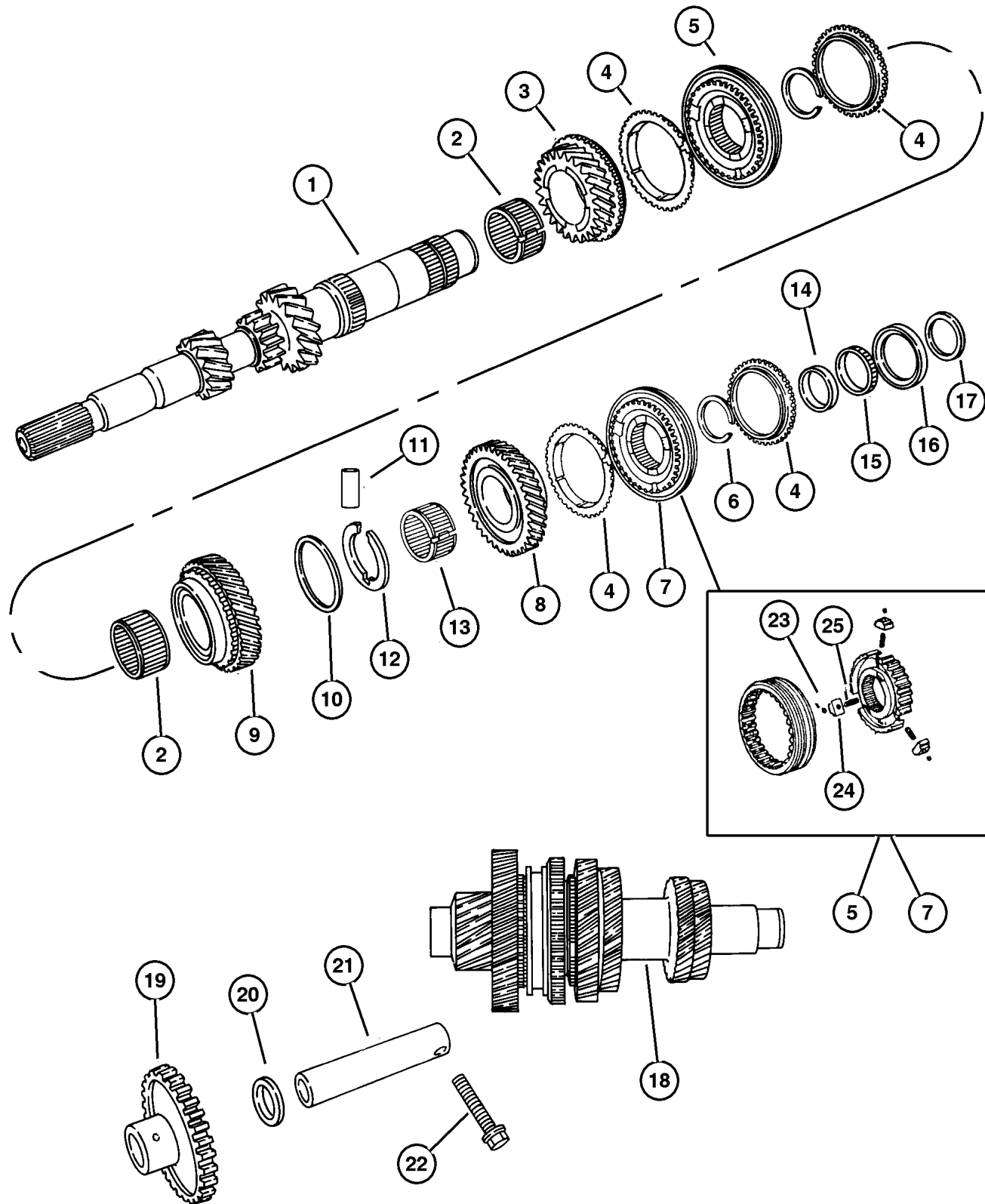
ITEM	PART NUMBER	QTY	LINE	SERIES	ENGINE	TRANS	DESCRIPTION
	4761 082	10	D, P		ECB	DD5	
		10	D, P		EBD	DD5	
28	4762 606	1				DD5	RETAINER, Shaft
29	4762 602	1				DD5	BUSHING, Crossover Shaft
30	4761 076	1				DD5	BUSHING, Shift Rail, 15mm I/D, 25mm Long
31							BUSHING, Shift Rail
	4740 899	1				DD5	15mm I/D, 12 mm Long
	4762 605	3	D, P		ECB	DD5	14mm I/D, 10mm Long
		3	D, P		EBD	DD5	

**DODGE - PLYMOUTH - CHRYSLER NEON (PL)**  
 SERIES LINE BODY ENGINE TRANSMISSION  
 L=Low Line Z=RHD 41 = 4 Door, 104.0WB ECB =2.0L 4 Cyl. SOHC DD5 = 5 Speed Manual  
 H=High Line D= Dodge EBD = 1.8L 4Cyl SOHC DGC = 3 Speed Automatic  
 D= Chrysler DG0 = All Automatic  
 P= Plymouth DBB = All Manual

AR = Use as required - = Non illustrated part # = New this model year

May 3, 2002

**Gear Train, (DD5)  
Figure A578-410**



ITEM	PART NUMBER	QTY	LINE	SERIES	ENGINE	TRANS	DESCRIPTION
NOTE: SALES C ODES: DD5 = 5 Spd Manual Trans A578 n key. EBD = 1.8L 4 Cyl - SOHC n key. ECB = 2.0L 4 Cyl - SOHC n key.							
1	#5016 882AA	1	D, P		ECB	DD5	INPUT SHAFT PACKAGE, Transaxle
2	4762 612	1	Z		EBD	DD5	NEEDLE BEARING
		2	D, P		ECB	DD5	
3	4761 132	2	D, P		EBD	DD5	GEAR, Third
		1	Z		EBD	DD5	
4	4874 135	AR	D, P		ECB	DD5	STOP RING, Synchronizer
		AR	D, P		EBD	DD5	
		AR	Z		EBD	DD5	
5	4761 133	1	D, P		ECB	DD5	SYNCHRONIZER, Third and Fourth
		1	D, P		EBD	DD5	
		1	Z		EBD	DD5	
6	4761 136	AR	D, P		ECB	DD5	RING, Synchronizer Hub, Yellow
		AR	D, P		EBD	DD5	
		AR	Z		EBD	DD5	
7	4874 136	AR	D, P		ECB	DD5	SYNCHRONIZER, Fifth
		AR	D, P		EBD	DD5	
		1	Z		EBD	DD5	
8	4761 141	1				DD5	GEAR, Fifth
9	4761 139	1				DD5	GEAR, Fourth
10	4761 138	1				DD5	RING, 4th Gear
11	4761 140	1				DD5	PIN, Mainshaft
12	4761 137	AR	D, P		ECB	DD5	WASHER, Fourth Gear
		AR	D, P		EBD	DD5	
		AR	Z		EBD	DD5	
13	4761 119	1				DD5	NEEDLE BEARING
14	4761 120	1				DD5	BEARING CUP, Reverse Brake
15	4761 119	1				DD5	NEEDLE BEARING
16	4761 121	1				DD5	BEARING CONE, Reverse Brake
17	4761 118	1				DD5	SPACER, Reverse Brake
18						DD5	OUTPUT SHAFT, Transaxle
	4761 109	1				DD5	Includes First & Second Gear- up to and Including 3-13-00

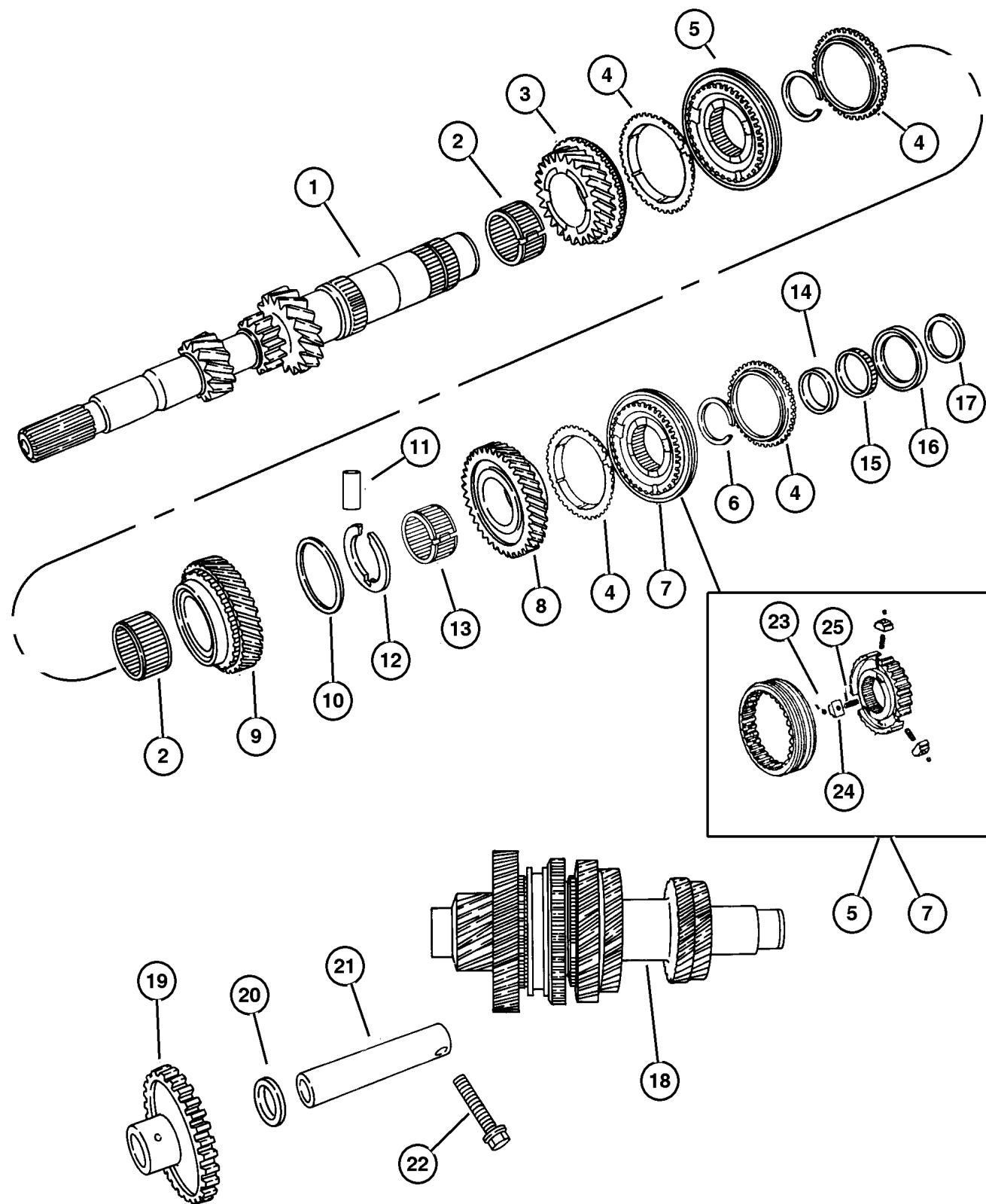
**DODGE - PLYMOUTH - CHRYSLER NEON (PL)**

SERIES	LINE	BODY	ENGINE	TRANSMISSION
L=Low Line	Z= RHD	41 = 4 Door, 104.0WB	ECB =2.0L 4 Cyl. SOHC	DD5 = 5 Speed Manual
H=High Line	D= Dodge		EBD = 1.8L 4Cyl SOHC	DGC = 3 Speed Automatic
	D= Chrysler			DG0 = All Automatic
	P= Plymouth			DBB = All Manual

AR = Use as required - = Non illustrated part # = New this model year

May 3, 2002

**Gear Train, (DD5)  
Figure A578-410**



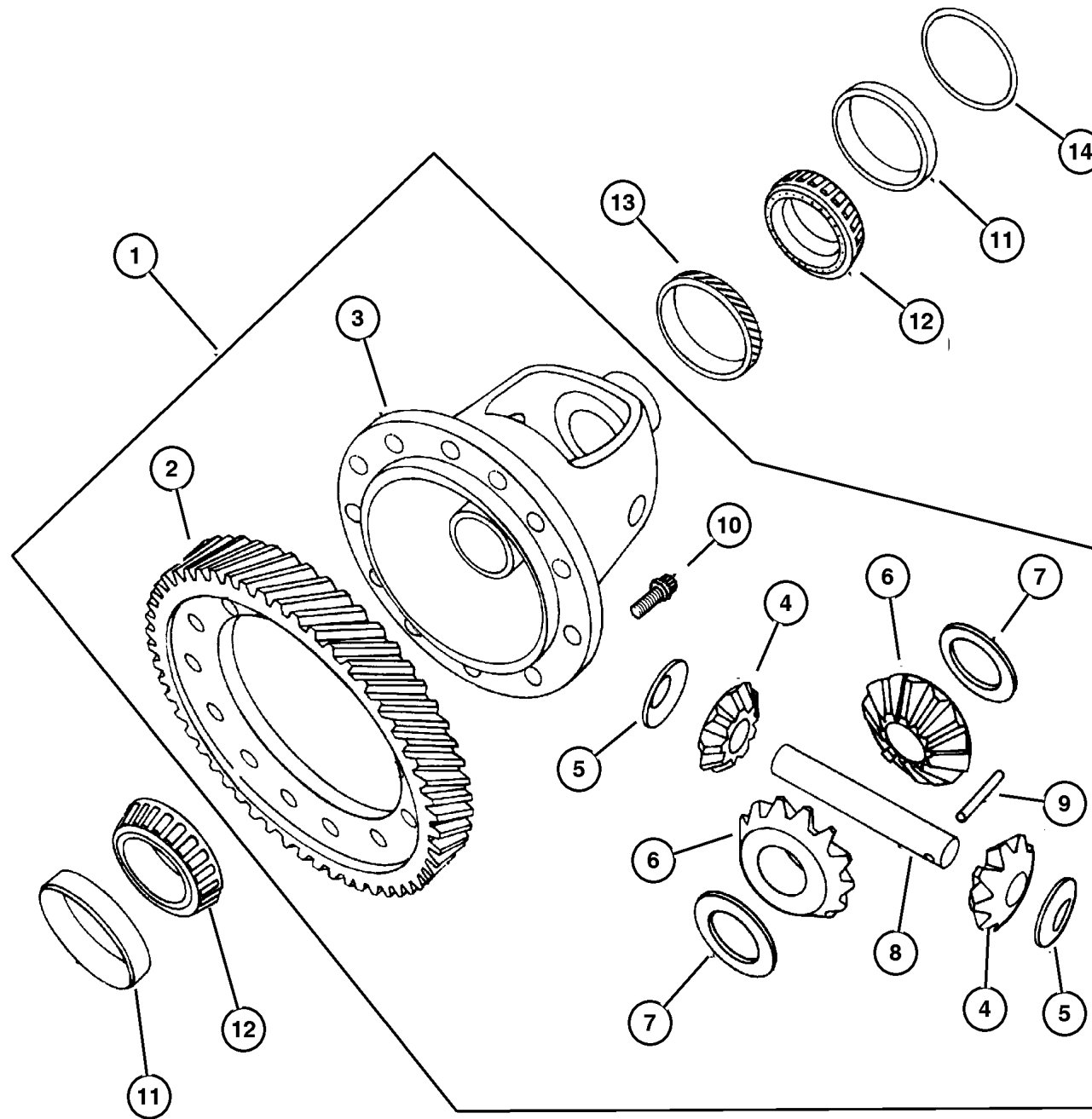
ITEM	PART NUMBER	QTY	LINE	SERIES	ENGINE	TRANS	DESCRIPTION
	#5017 382AA	1	D, P		ECB	DD5	After 3-13-00
19	4886 482AA	1				DD5	GEAR, Reverse Idler
20	4761 127	1				DD5	SPACER, Reverse Idler
21	4761 126	1				DD5	IDLER SHAFT, Transmission
22	6100 299	15					BOLT AND CONED WASHER, Hex Head, M8x45x17
23							BALL, Pivot, (NOT SERVICED)
24	4863 720	1				DD5	KEY, Synchronizer
25							SPRING, Synchronizer
	4761 113	AR	D, P		ECB	DD5	
		AR	D, P		EBD	DD5	
		AR	Z		EBD	DD5	
-26							RETAINER
	5003 747AA	1	D, P		ECB	DD5	
		1	D, P		EBD	DD5	
		1	Z		EBD	DD5	

**DODGE - PLYMOUTH - CHRYSLER NEON (PL)**  
 SERIES LINE BODY ENGINE TRANSMISSION  
 L=Low Line Z=RHD 41 = 4 Door, 104.0WB ECB =2.0L 4 Cyl. SOHC DD5 = 5 Speed Manual  
 H=High Line D= Dodge EBD = 1.8L 4Cyl SOHC DGC = 3 Speed Automatic  
 P= Plymouth DG0 = All Automatic  
 DBB = All Manual

AR = Use as required - = Non illustrated part # = New this model year

May 3, 2002

Differential, (DD5)  
Figure A578-810



ITEM	PART NUMBER	QTY	LINE	SERIES	ENGINE	TRANS	DESCRIPTION
------	-------------	-----	------	--------	--------	-------	-------------

NOTE: SALES CODES: DD5 = 5 Spd Manual Trans A578 n key.

EBD = 1.8L 4Cyl - SOHC n key.

ECB = 2.0L 4 Cyl - SOHC n key.

1	4856 348	1	D, P		ECB	DD5	DIFFERENTIAL, Transaxle
	4856 349	1				DD5	
2	4761 103	1				DD5	GEAR, Differential Ring
	4761 104	1	D, P		ECB	DD5	
3	4761 102	1				DD5	CASE, Differential
4	4348 679	2				DD5	PINION, Differential
5	4137 024	2				DD5	WASHER, Pinion Thrust
6	4659 502	2				DD5	GEAR, Differential Side
7	4504 568	1				DD5	WASHER PACKAGE, Side Gear Thrust
8	4659 142	1				DD5	SHAFT, Pinion Gear
9	6503 827	1				DD5	PIN, Pinion Shaft
10							BOLT, Differential Ring Gear
	4761 105	12	Z		EBD	DD5	
		12	D, P		ECB	DD5	
		12	D, P		EBD	DD5	
11	4567 022	1				DD5	BEARING CUP, Differential
12	4567 025AB	1				DD5	BEARING
13	4797 316	1				DD5	GEAR, Speedometer Drive
14	4883 546AA	1				DD5	SHIM, Final Drive, .42mm, Illustration Includes Items 15-32
-15	4883 545AA	1				DD5	SHIM, Final Drive, .46mm
-16	5222 345	1				DD5	SHIM, Final Drive, .50mm
-17	5222 346	1				DD5	SHIM, Final Drive, .54mm
-18	5222 347	1				DD5	SHIM, Final Drive, .58mm
-19	5222 348	1				DD5	SHIM, Final Drive, .62mm
-20	5222 349	1				DD5	SHIM, Final Drive, .66mm
-21	5222 350	1				DD5	SHIM, Final Drive, .70mm
-22	5222 352	1				DD5	SHIM, Final Drive, .78mm
-23	5222 353	1				DD5	SHIM, Final Drive, .82mm
-24	5222 355	1				DD5	SHIM, Final Drive, .90mm
-25	5222 356	1				DD5	SHIM, Final Drive, .94mm
-26	5222 358	1				DD5	SHIM, Final Drive, 1.02mm
-27	5222 359	1				DD5	SHIM, Final Drive, 1.06mm
-28	5222 362	1				DD5	SHIM, Final Drive, 1.18mm
-29	5222 364	1				DD5	SHIM, Final Drive, 1.26mm
-30	5222 365	1				DD5	SHIM, Final Drive, 1.30mm
-31	5222 367	1				DD5	SHIM, Final Drive, 1.38mm

DODGE - PLYMOUTH - CHRYSLER NEON (PL)

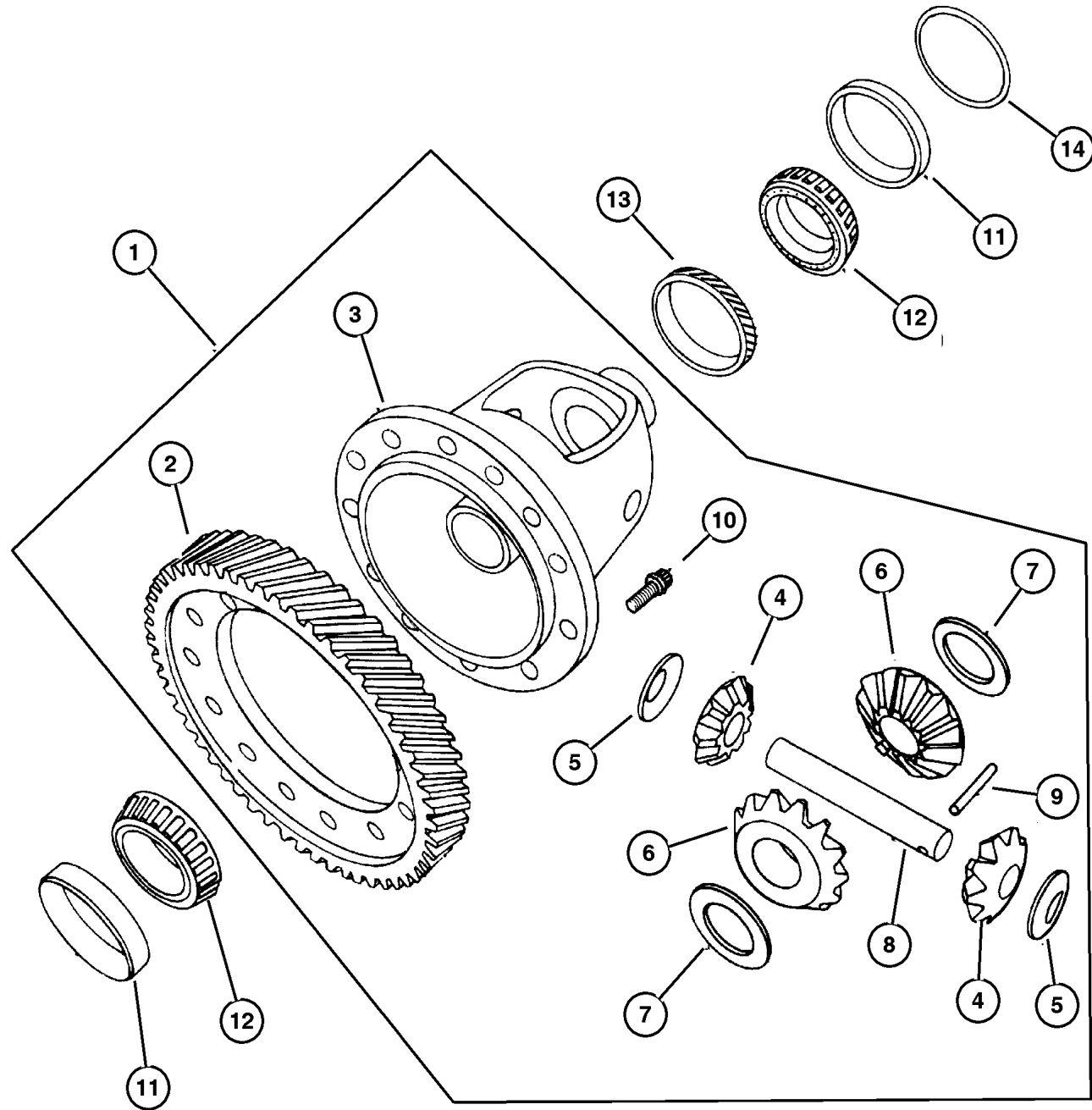
SERIES	LINE	BODY	ENGINE	TRANSMISSION
L=Low Line	Z= RHD	41 = 4 Door, 104.0WB	ECB =2.0L 4 Cyl. SOHC	DD5 = 5 Speed Manual
H=High Line	D= Dodge		EBD = 1.8L 4Cyl SOHC	DGC = 3 Speed Automatic
	D= Chrysler			DG0 = All Automatic
	P= Plymouth			DBB = All Manual

AR = Use as required - = Non illustrated part # = New this model year

May 3, 2002



Differential, (DD5)  
Figure A578-810



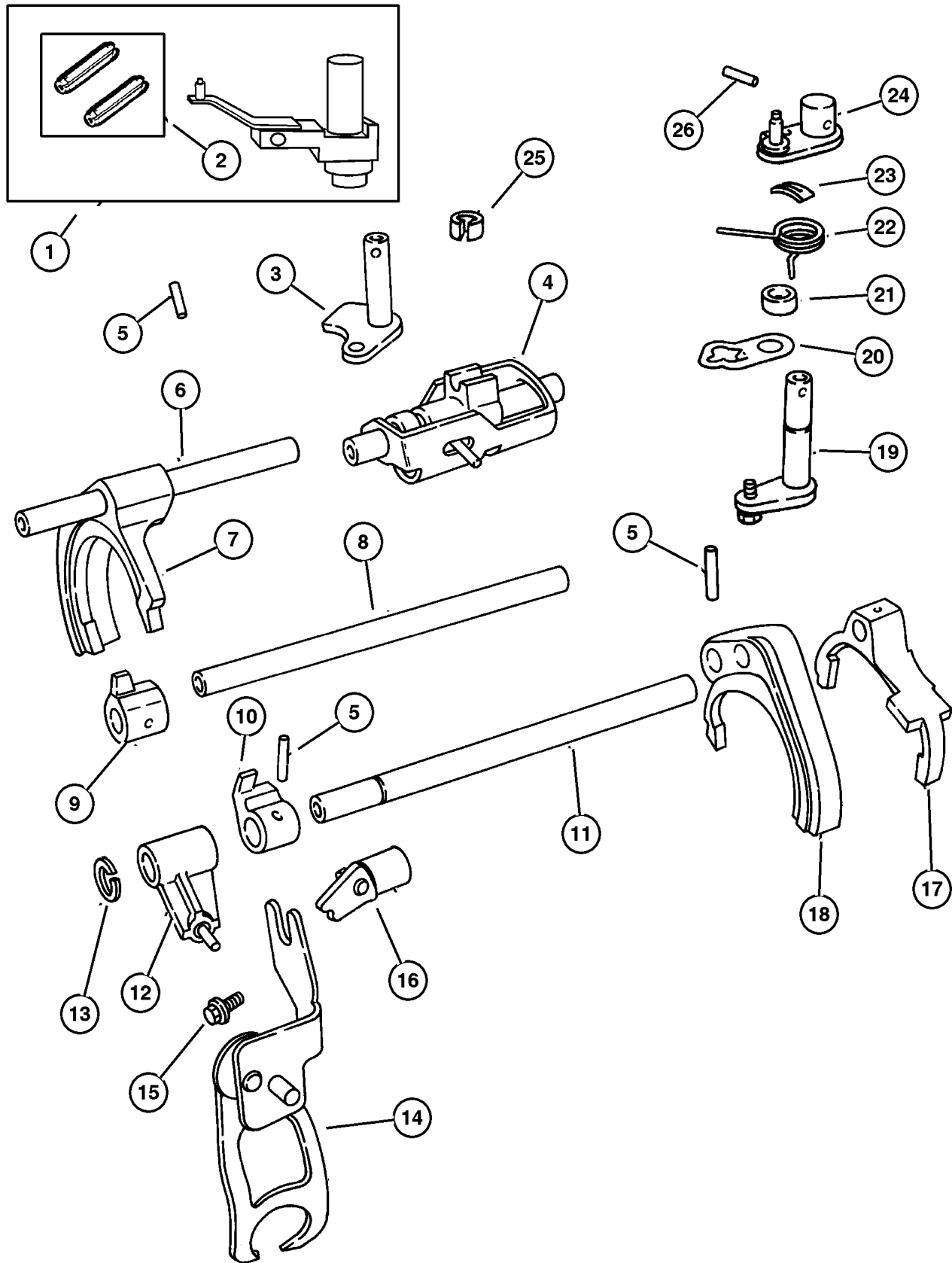
ITEM	PART NUMBER	QTY	LINE	SERIES	ENGINE	TRANS	DESCRIPTION
-32	5222 368	1				DD5	SHIM, Final Drive, 1.42mm

DODGE - PLYMOUTH - CHRYSLER NEON (PL)  
 SERIES LINE BODY ENGINE TRANSMISSION  
 L=Low Line Z=RHD 41 = 4 Door, 104.0WB ECB =2.0L 4 Cyl. SOHC DD5 = 5 Speed Manual  
 H=High Line D= Dodge EBD = 1.8L 4Cyl SOHC DGC = 3 Speed Automatic  
 D= Chrysler DG0 = All Automatic  
 P= Plymouth DBB = All Manual

AR = Use as required - = Non illustrated part # = New this model year

May 3, 2002

## Fork And Rail, (DD5) Figure A578-910



ITEM	PART NUMBER	QTY	LINE	SERIES	ENGINE	TRANS	DESCRIPTION
NOTE: SALES CODES: DD5 = 5 Spd Manual Trans A578 n key.							
EBD = 1.8L 4 Cyl - SOHC n key.							
ECB = 2.0L 4 Cyl - SOHC n key.							
1	#5014 465AA	1				DD5	LEVER PACKAGE, Gearshift
2	4778 249	1				DD5	PIN, Shift Shaft
3	4773 411	1				DD5	SHAFT, Detent
4	4761 146	1				DD5	BLOCKER, Shift
5							PIN
	6101 475	AR	Z		EBD	DD5	
		AR	D, P		ECB	DD5	
		AR	D, P		EBD	DD5	
6	4761 176	1				DD5	RAIL, First and Second Shift
7	4796 649	1				DD5	FORK, Transmission
8	4761 178	1				DD5	RAIL, Third and Fourth Shift
9	4761 179	1				DD5	LUG, Third and Fourth Shift
10	4761 181	1				DD5	LUG, Fifth and Reverse
11	4761 180	1				DD5	RAIL, Fifth and Reverse Shift
12	4761 182	1				DD5	ARM, Reverse Lever
13	6501 862	1				DD5	SNAP RING
14	4761 152	1				DD5	BRACKET, Reverse Shift Rod
15							SCREW, Reverse Bracket
	4761 153	2	Z		EBD	DD5	
		2	D, P		ECB	DD5	
		2	D, P		EBD	DD5	
16	4761 154	1				DD5	CAM, Reverse Block
17	4874 137	1				DD5	FORK, Transmission
18	4796 650	1				DD5	FORK, Transmission
19	4761 147	1				DD5	LEVER, Crossover
20	4761 148	1				DD5	PLATE, Crossover Stop
21	4761 151	1				DD5	SPACER, Inner Crossover Lever
22	4761 149	1				DD5	SPRING, Crossover Lever
23	4761 150	1				DD5	RETAINER, Spring
24	4761 143	1				DD5	LEVER, Crossover
25	4761 158	1				DD5	CLIP, Detent Shaft
26	4762 603	1				DD5	PIN, Shift Shaft

**DODGE - PLYMOUTH - CHRYSLER NEON (PL)**

SERIES	LINE	BODY	ENGINE	TRANSMISSION
L=Low Line	Z= RHD	41 = 4 Door, 104.0WB	ECB =2.0L 4 Cyl. SOHC	DD5 = 5 Speed Manual
H=High Line	D= Dodge		EBD = 1.8L 4Cyl SOHC	DGC = 3 Speed Automatic
	P= Plymouth			DG0 = All Automatic
				DBB = All Manual

AR = Use as required - = Non illustrated part # = New this model year

May 3, 2002

Controls, Gearshift, (DD5)  
Figure A578-1210

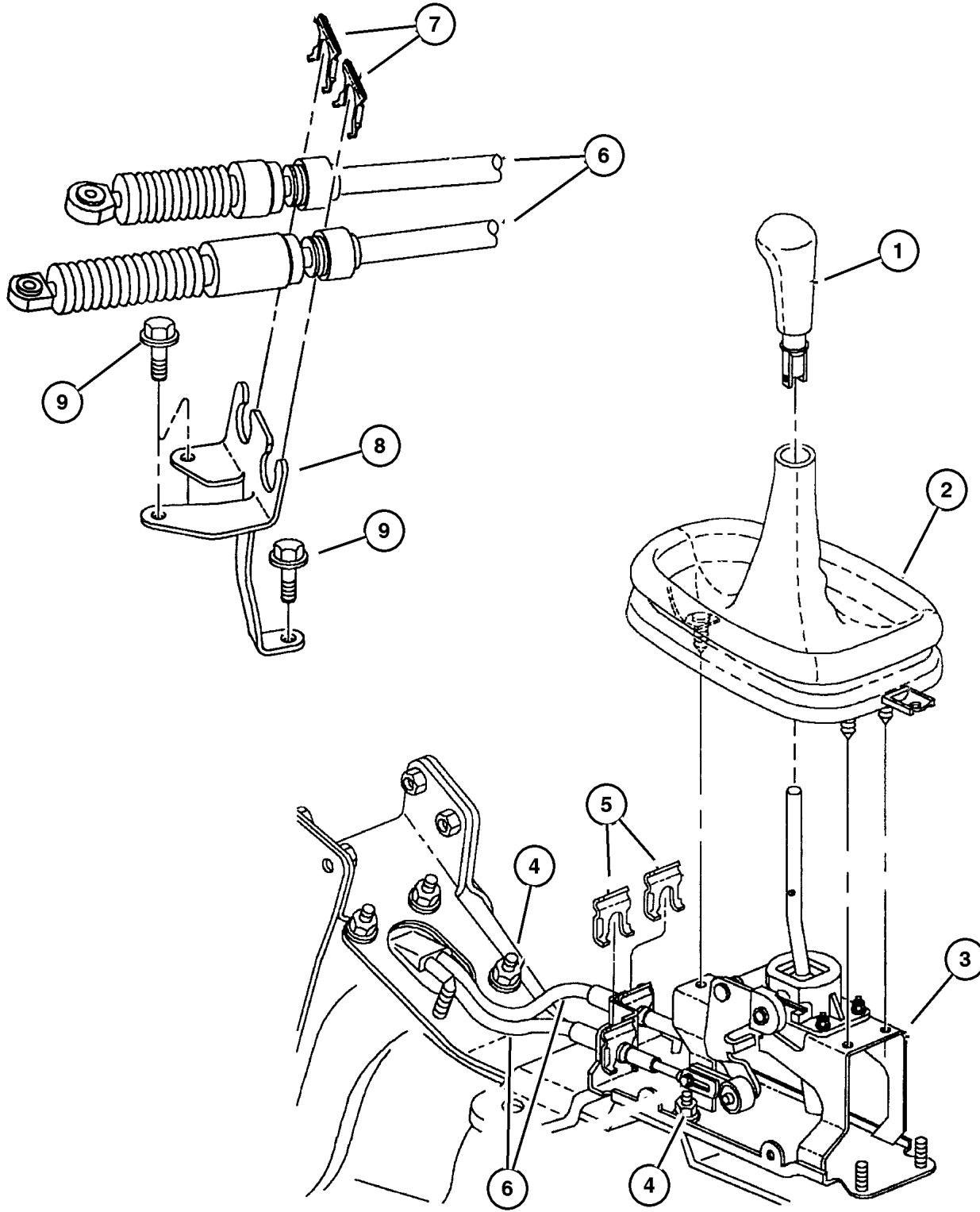
ITEM	PART NUMBER	QTY	LINE	SERIES	ENGINE	TRANS	DESCRIPTION
------	-------------	-----	------	--------	--------	-------	-------------

NOTE: SALES CODES: DD5 = 5 Spd Manual Trans A578 n key.

EBD = 1.8L 4 Cyl - SOHC n key.

ECB = 2.0L 4 Cyl - SOHC n key.

1							KNOB, Gearshift
	#4668 267	1				DD5	w/o Leather Wrap
	#4668 269	1				DD5	w/Leather Wrap
2	#4668 260AB	1				DD5	BOOT, Gearshift
3	#4668 261AB	1				DD5	SHIFTER, Transmission
4	6500 284	2			EBD, ECB		NUT, Hex, M6x1.00
5	6501 326	2				DD5	CLIP, Moulding
6	#4668 268	1				DD5	CABLE, Gearshift Control
7	4269 830	2				DD5	CLIP, Cable
8	#4668 315	1				DD5	BRACKET, Transmission Control Cable
9							BOLT, Hex Head
	6100 296	2			ECB		
		2			EBD		



DODGE - PLYMOUTH - CHRYSLER NEON (PL)			ENGINE	TRANSMISSION
SERIES	LINE	BODY	ENGINE	TRANSMISSION
L=Low Line	Z= RHD	41 = 4 Door, 104.0WB	ECB =2.0L 4 Cyl. SOHC	DD5 = 5 Speed Manual
H=High Line	D= Dodge		EBD = 1.8L 4Cyl SOHC	DGC = 3 Speed Automatic
	D= Chrysler			DG0 = All Automatic
	P= Plymouth			DBB = All Manual

AR = Use as required - = Non illustrated part # = New this model year

May 3, 2002

# Group – 21P

## Speedometer Pinions

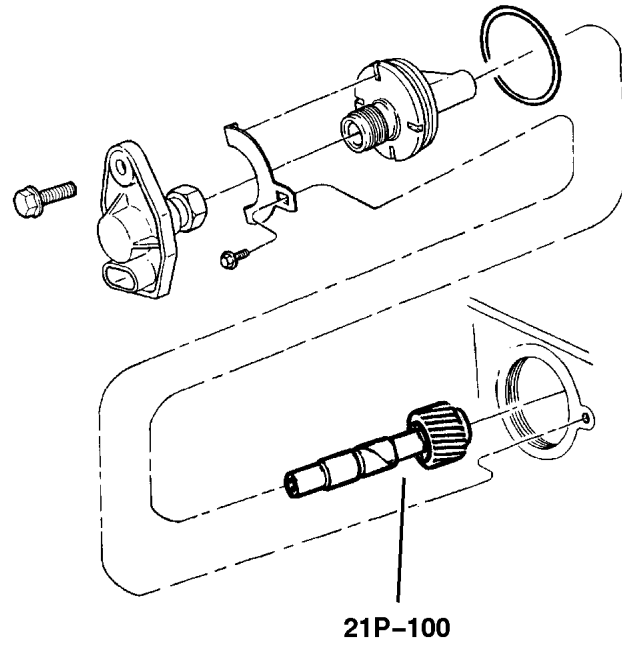
### GROUP 21P - Speedometer Pinions

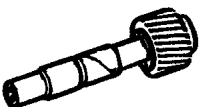
Illustration Title

Group-Fig. No.

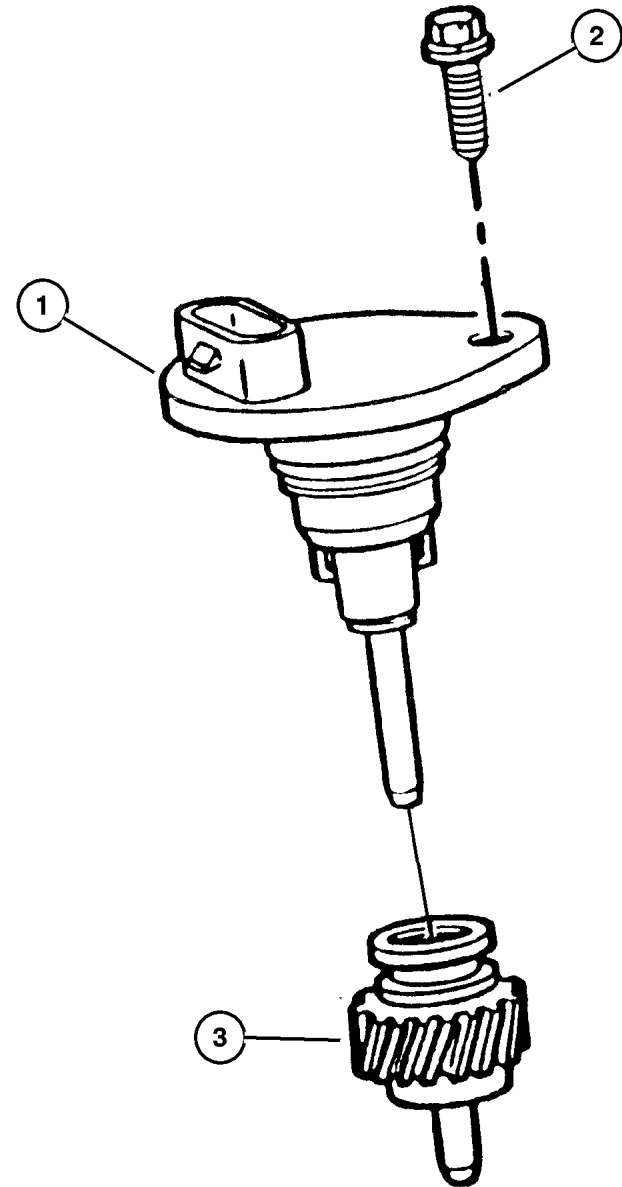
#### Speedometer Pinions

Pinion, Speedometer, (DD5 - DGC) ..... Fig. 21P-101



<p><b>21P-100</b> Speedometer Pinions</p> 			
---	--	--	--

**Pinion, Speedometer, (DD5 - DGC)  
Figure 21P-101**



ITEM	PART NUMBER	QTY	LINE	SERIES	ENGINE	TRANS	DESCRIPTION
------	-------------	-----	------	--------	--------	-------	-------------

NOTE: SALES CODES: DD5 = 5 Spd Manual Trans A578 n key.  
DGC = 3 Spd Auto Trans 31TH n key.

1	4707 839AA	1					SENSOR, Vehicle Speed
2	6501 714	1				DD5	SCREW AND WASHER, Hex Head, M6x1x18
		1				DGC	
3	4567 881	1				DGC	PINION, Speedometer Drive, Blue
	4593 107	1				DD5	
-4	4641 215	1				DD5	PINION, Speedometer Drive, Natural

DODGE - PLYMOUTH - CHRYSLER NEON (PL)				
SERIES	LINE	BODY	ENGINE	TRANSMISSION
L=Low Line	Z= RHD	41 = 4 Door, 104.0WB	ECB =2.0L 4 Cyl. SOHC	DD5 = 5 Speed Manual
H=High Line	D= Dodge		EBD = 1.8L 4Cyl SOHC	DGC = 3 Speed Automatic
	D= Chrysler			DG0 = All Automatic
	P= Plymouth			DBB = All Manual

AR = Use as required - = Non illustrated part # = New this model year

May 3, 2002

# Group – 022

## Wheels, Covers and Jacks

### GROUP 22 - Wheels, Covers and Jacks

Illustration Title

Group-Fig. No.

#### Wheels and Hardware

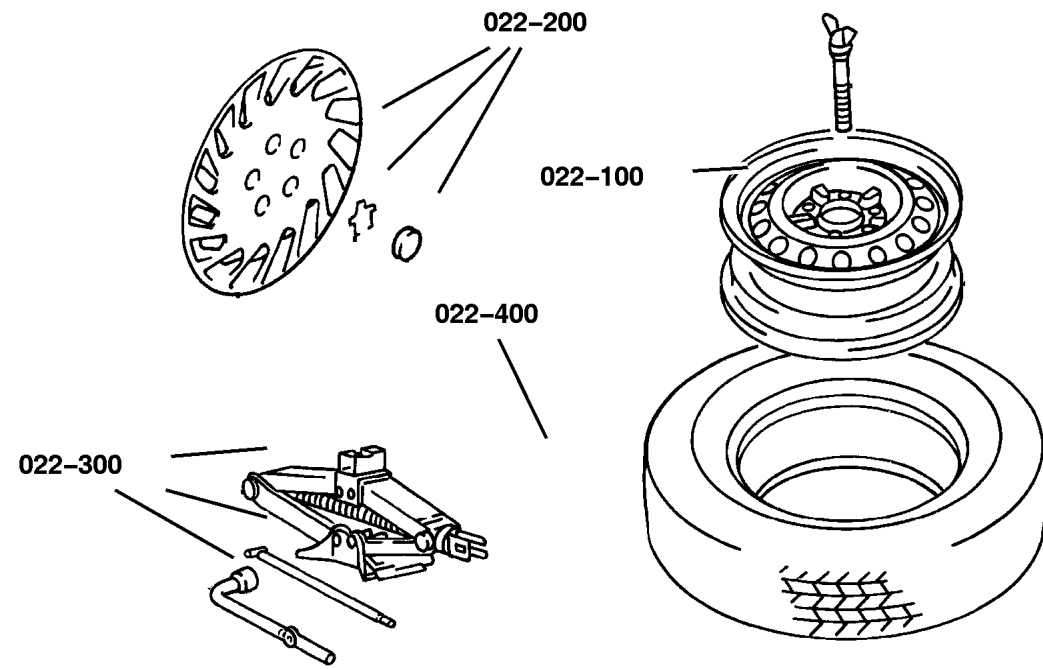
Wheels and Hardware ..... Fig. 022-101


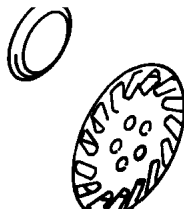
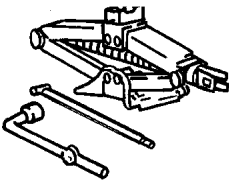
#### Wheel Covers and Center Caps

Caps and Covers, Wheel ..... Fig. 022-201

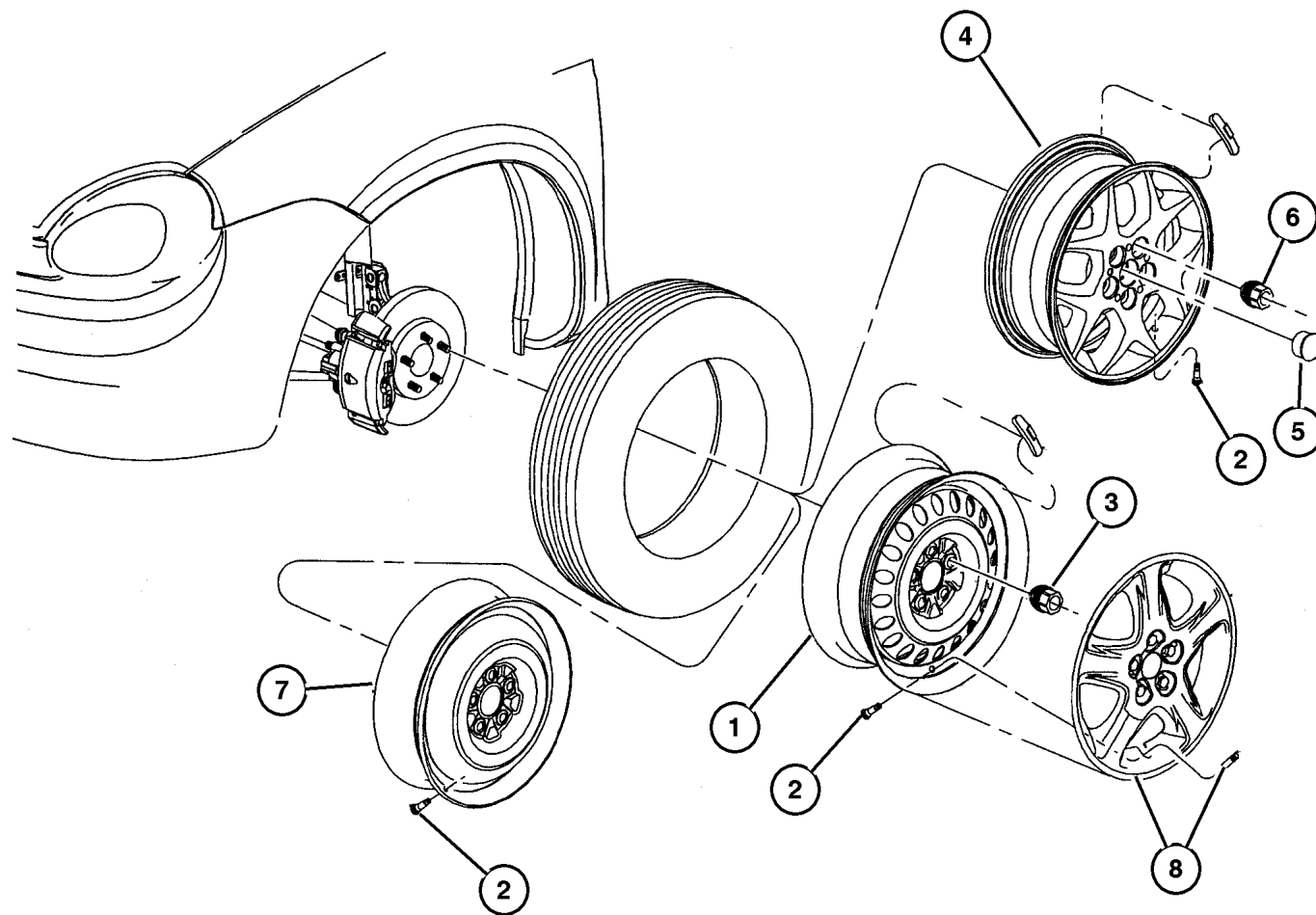
#### Jack Stowage

Jack and Spare Tire Stowage ..... Fig. 022-301



<p><b>022-100</b> Wheels and Hardware</p> 	<p><b>022-200</b> Wheel Covers and Center Caps</p> 	<p><b>022-300</b> Jack Stowage</p> 	
---	--	---	--

## Wheels and Hardware Figure 022-101



ITEM	PART NUMBER	QTY	LINE	SERIES	BODY	DESCRIPTION
NOTE: Sales Codes: n key.						
[TBC] = SPARE TIRE - COMPACT n key.						
[WBB] = WHEELS - 14 X 5.5 BLACK n key.						
[WCF] = WHEELS - 15 X 6.0 BLACK n key.						
[WJA] = WHEELS - 15" ALUMINUM n key.						
[W4U] = WHEEL COVERS - 14" n key.						
[W5J] = WHEEL COVERS - 15" n key.						
1						WHEEL, Steel
	#4656 322	4				15 X 6, Black, Steel [WCF]
	4684 697AB	4				14 X 5.5, 5 Hole, Steel [WBB]
2	2073 355	5				STEM, Wheel Valve
3	6504 266	20				NUT, Wheel, [W4U,W5J]
4	#QG91 PAK	4				WHEEL, Aluminum, [WJA]
5	4284 004	4				CAP, Wheel Center
6	6502 738	20				NUT, Wheel Chrome, M12x1.5, [WJA]
7	#4656 509AA	1				WHEEL, Aluminum, Compact Spare, [TBC,WBB,WCF,WJA]
8						COVER, Wheel
	#4656 191AA	4				[W4U]
	#4656 328	4				[W5J]
-9						LABEL, Tire Pressure
	#4656 589AB	1				BILINGUAL~~
	#4656 590AA	1	D, P			
	#4656 591AB	1	Z			AUSTRALIA~~
	#4656 592AA	1				FRENCH
	#4656 593AA	1	D, P			COMPETITION GROUP~~
	#4656 594AA	1				FRENCH - COMPETITION GROUP~~

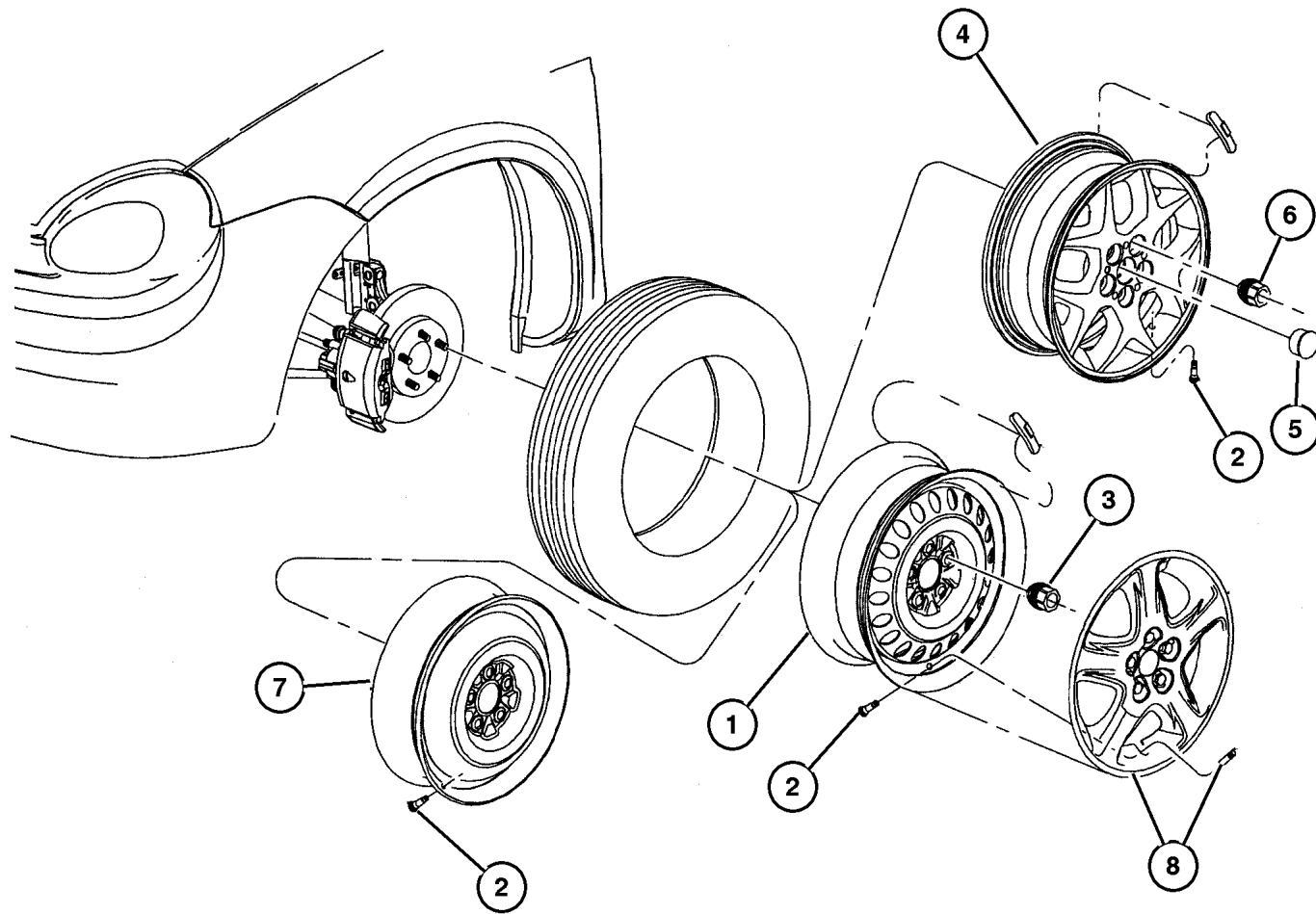
**DODGE - PLYMOUTH - CHRYSLER NEON (PL)**

SERIES	LINE	BODY	ENGINE	TRANSMISSION
L=Low Line	Z= RHD	41 = 4 Door, 104.0WB	ECB =2.0L 4 Cyl. SOHC	DD5 = 5 Speed Manual
H=High Line	D= Dodge		EBD = 1.8L 4Cyl SOHC	DGC = 3 Speed Automatic
	D= Chrysler			DG0 = All Automatic
	P= Plymouth			DBB = All Manual

AR = Use as required - = Non illustrated part # = New this model year

May 3, 2002

**Caps and Covers, Wheel**  
**Figure 022-201**



ITEM	PART NUMBER	QTY	LINE	SERIES	BODY	DESCRIPTION
NOTE: Sales Codes: n key.						
[TBC] = SPARE TIRE - COMPACT n key.						
[WBB] = WHEELS - 14 X 5.5 BLACK n key.						
[WCF] = WHEELS - 15 X 6.0 BLACK n key.						
[WJA] = WHEELS - 15" ALUMINUM n key.						
[W4U] = WHEEL COVERS - 14" n key.						
[W5J] = WHEEL COVERS - 15" n key.						
1						WHEEL, Steel
	#4656 322	4				15 X 6, Black, Steel [WCF]
	4684 697AB	4				14 X 5.5, 5 Hole, Steel [WBB]
2	2073 355	5				STEM, Wheel Valve
3	6504 266	20				NUT, Wheel, [W4U,W5J]
4	#QG91 PAK	4				WHEEL, Aluminum, [WJA]
5	4284 004	4				CAP, Wheel Center, [WJA]
6	6502 738	20				NUT, Wheel Chrome, M12x1.5, [WJA]
7	#4656 509AA	1				WHEEL, Aluminum, Compact Spare, [TBC,WBB,WCF,WJA]
8						COVER, Wheel
	#4656 191AA	4				[W4U]
	#4656 328	4				[W5J] (Black Caps)
-9						LABEL, Tire Pressure
	#4656 589AB	1				BILINGUAL
	#4656 590AA	1	D, P			
	#4656 591AA	1	Z			AUSTRALIA
	#4656 592AA	1				FRENCH
	#4656 593AA	1	D, P			COMPETITION GROUP
	#4656 594AA	1				FRENCH - COMPETITION GROUP~~

**DODGE - PLYMOUTH - CHRYSLER NEON (PL)**

SERIES	LINE	BODY	ENGINE	TRANSMISSION
L=Low Line	Z= RHD	41 = 4 Door, 104.0WB	ECB =2.0L 4 Cyl. SOHC	DD5 = 5 Speed Manual
H=High Line	D= Dodge		EBD = 1.8L 4Cyl SOHC	DGC = 3 Speed Automatic
	D= Chrysler			DG0 = All Automatic
	P= Plymouth			DBB = All Manual

AR = Use as required - = Non illustrated part # = New this model year

May 3, 2002



**Jack and Spare Tire Storage**  
**Figure 022-301**

ITEM	PART NUMBER	QTY	LINE	SERIES	BODY	DESCRIPTION
------	-------------	-----	------	--------	------	-------------

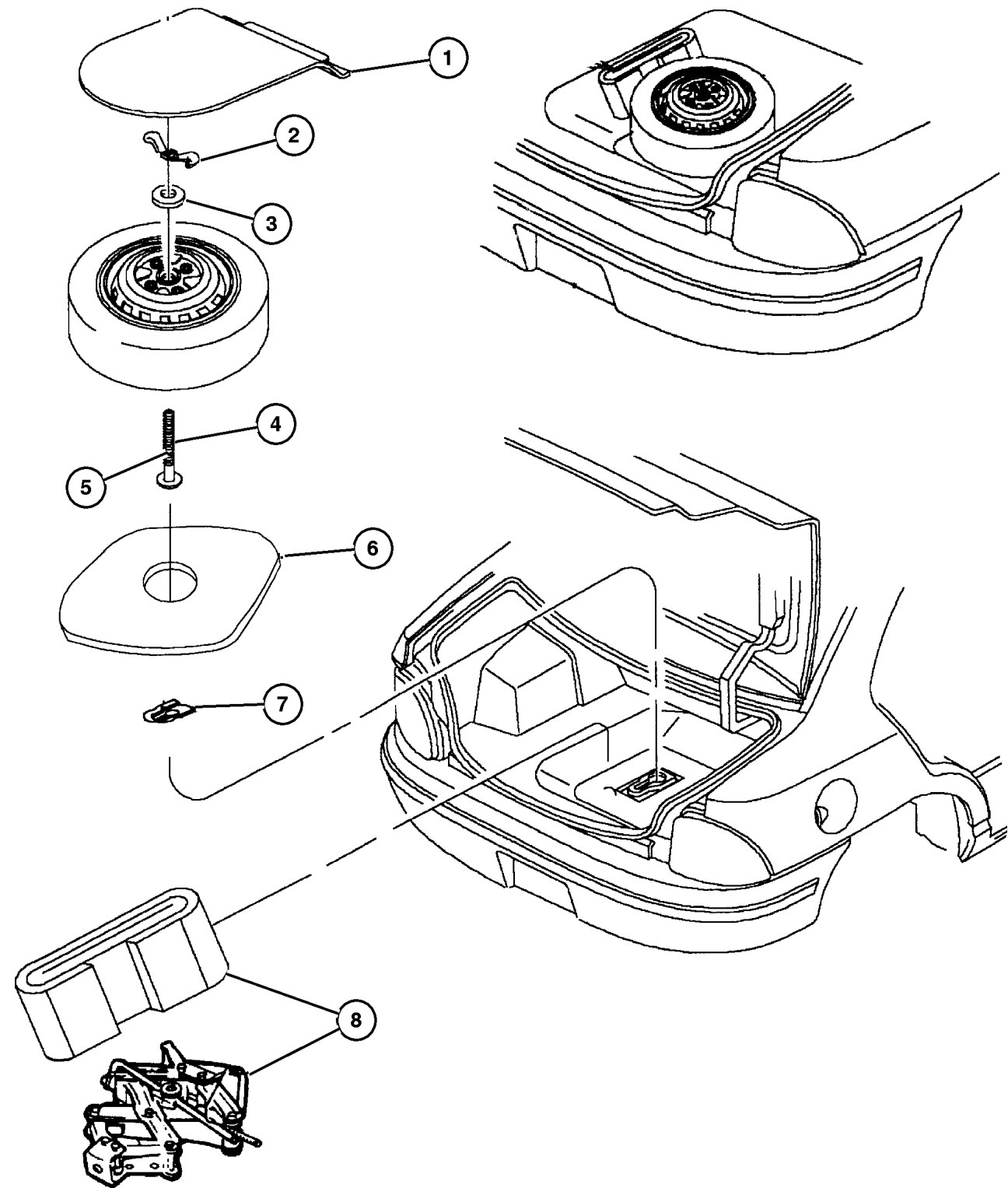
NOTE: Sales Codes: n key.  
 [TBC] = SPARE TIRE - COMPACT n key.  
 [TBB] = SPARE TIRE - FULL SIZE n key.

1						COVER, Spare Tire
	#QR84 VXLAC	1				[TBC]
	#QU37 VXLAB	1				[TBB]
2	6032 619	1				WINGNUT, Jack and Tire Hold Down
3	4371 895	1				PLATE, Spare Tire Cover
4	6036 168AA	1				BOLT, Spare Wheel Hold Down, [TBB]
5	#6505 590AA	1				BOLT, Square Neck, M10x1.50, [TBC]
6						PAD, Spare Tire, (NOT SERVICED)
7	#4888 547AB	1				BRACKET, Spare Tire
8	5008 275AA	1				JACK
-9	#5008 276AA	1				HANDLE, Jack
-10	5256 549	1				BAG, Jack Tool Storage
-11	4783 862	2				STRAP, Jack Storage
-12						LABEL, Tire Pressure
	#4656 590AA	1		D, P		
	#4656 591AA	1		Z		Australia
-13	4103 504	1				LABEL, Jack Caution
-14						LABEL, Jack Instructions
	4888 536AB	1				Conventional Spare
	4888 576	1		Z		Usage
	4888 682	1		Z		Warning

<b>DODGE - PLYMOUTH - CHRYSLER NEON (PL)</b>				
SERIES	LINE	BODY	ENGINE	TRANSMISSION
L=Low Line	Z= RHD	41 = 4 Door, 104.0WB	ECB =2.0L 4 Cyl. SOHC	DD5 = 5 Speed Manual
H=High Line	D= Dodge		EBD = 1.8L 4Cyl SOHC	DGC = 3 Speed Automatic
	D= Chrysler			DG0 = All Automatic
	P= Plymouth			DBB = All Manual

AR = Use as required - = Non illustrated part # = New this model year

May 3, 2002



# Group – 23D

## Wiper/Lock Cylinder and Keys

### GROUP 23D - Wiper/Lock Cylinder and Keys

Illustration Title

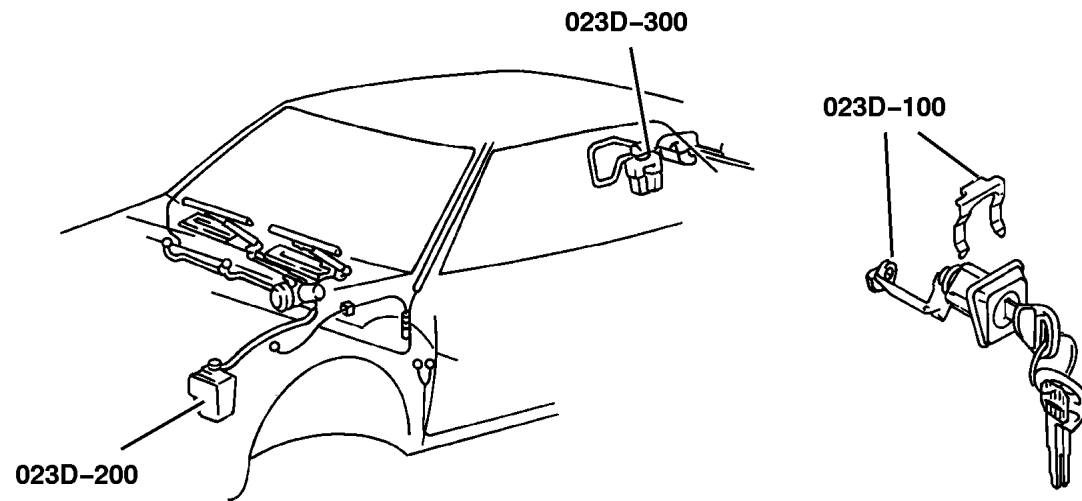
Group-Fig. No.

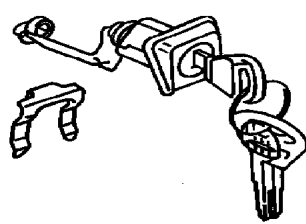
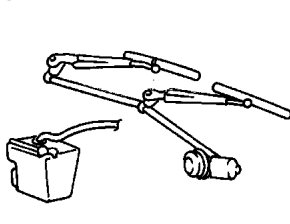
#### Lock Cylinders and Keys

Lock Cylinder And Keys ..... Fig. 23D-105

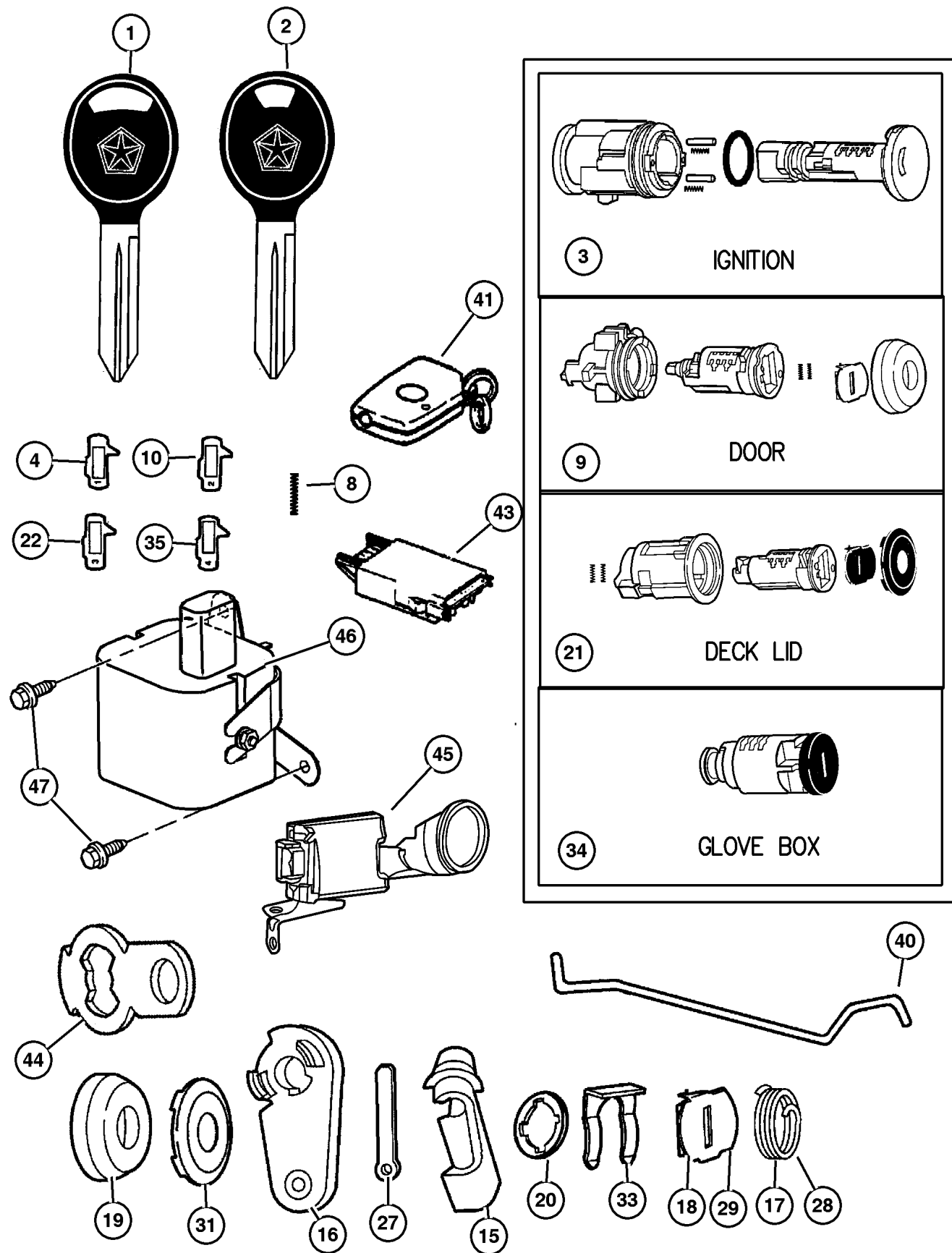
#### Windshield Wiper and Washer Systems

Windshield Wiper And Washer ..... Fig. 23D-205



<p><b>23D-100</b> Lock Cylinders and Keys</p> 	<p><b>23D-200</b> Windshield Wiper and Washer Systems</p> 		
---	---	--	--

## Lock Cylinder And Keys Figure 23D-105



ITEM	PART NUMBER	QTY	LINE	BODY	DESCRIPTION
1					KEY, Blank, 84 Groove
	4778 115	1			w/Pentastar Emblem
	#5018 497AA	2			w/Neon Emblem
2					KEY, Master
	5010 366AA	1			w/Sentry Theft Deterrant, Pentastar
	#5018 496AA	2			w/Sentry, Neon Emblem
3	5003 843AA	1			CYLINDER, Ignition Lock
4	5010 879AA	1			TUMBLER, Ignition Number 1, Sidebar
-5	5010 880AA	1			TUMBLER, Ignition Number 2, Sidebar
-6	5010 881AA	1			TUMBLER, Ignition Number 3, Sidebar
-7	5010 882AA	1			TUMBLER, Ignition Number 4, Sidebar
8	5010 883AA	1			SPRING, Ignition Tumbler, Sidebar
9	5011 040AA	1			CYLINDER, Door Lock
10	4778 117	1			TUMBLER, Door and Deck Number 1, Wide
-11	4778 118	1			TUMBLER, Door and Deck Number 2, Wide
-12	4778 119	2			TUMBLER, Door and Deck Number 3, Wide
-13	4778 120	1			TUMBLER, Door and Deck Number 4, Wide
-14	4778 121	1			SPRING, Door and Deck Tumbler
15					CLIP, Latch
	4658 444	1			Purple
	4658 445	1			Orange
16	4717 288	1			LEVER, Front Door Cylinder
17	4378 793	2			SPRING, Cylinder Return, Door
18	4778 150	2			SHUTTER, Door, Deck and Liftgate, Bright
19	4778 149	2			CAP, Door Lock Cylinder, Bright
20	5507 4799	1			GASKET, Door Lock Cylinder, Black
21	4778 146	1			CYLINDER, Deck Lid Lock
22	4778 117	2			TUMBLER, Door and Deck Number 1, Wide
-23	4778 118	2			TUMBLER, Door and Deck Number 2, Wide
-24	4778 119	2			TUMBLER, Door and Deck Number 3, Wide
-25	4778 120	2			TUMBLER, Door and Deck Number 4, Wide
-26	4778 121	2			SPRING, Door and Deck Tumbler
27	4723 494	1			LEVER, Deck Lid Lock Cylinder
28	5257 245	1			SPRING, Deck Lid Return
29	4778 150	2			SHUTTER, Door, Deck and Liftgate, Bright
-30	4778 151	1			SHUTTER, Door, Deck Lid, Black
31	4778 149	2			CAP, Door Lock Cylinder, Bright
-32	5257 148	1			CAP, Door Lock Cylinder, Black
33	2583 377	1			RETAINER, Door Lock Cylinder, Fits Decklid Only
34	4746 903	1			CYLINDER, Glove Box Lock
35	5257 132	1			TUMBLER, Ignition Number 1, Glove Box Lock Only, Not Ignition Lock

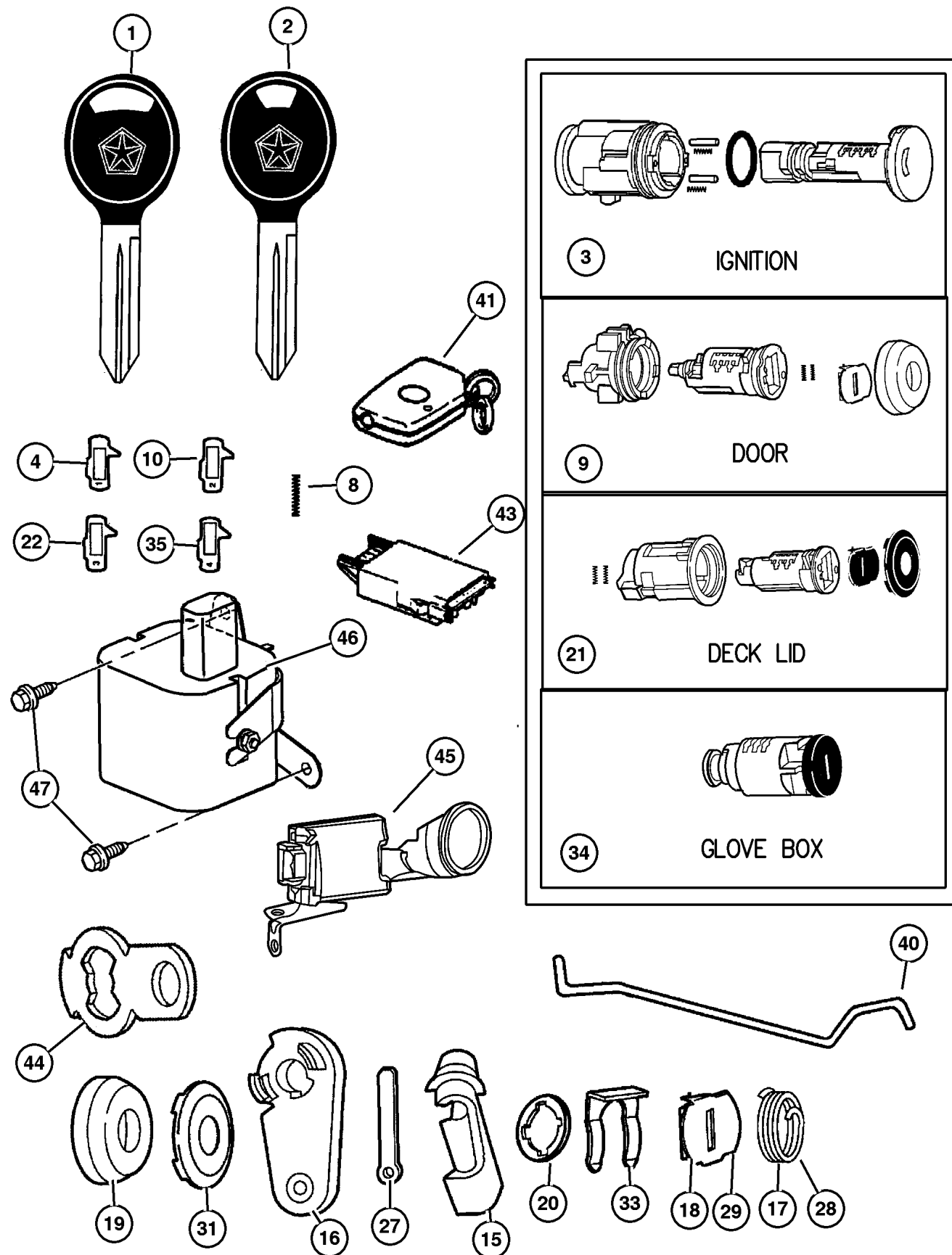
**DODGE - PLYMOUTH - CHRYSLER NEON (PL)**

SERIES	LINE	BODY	ENGINE	TRANSMISSION
L=Low Line	Z= RHD	41 = 4 Door, 104.0WB	ECB =2.0L 4 Cyl. SOHC	DD5 = 5 Speed Manual
H=High Line	D= Dodge		EBD = 1.8L 4Cyl SOHC	DGC = 3 Speed Automatic
	D= Chrysler			DG0 = All Automatic
	P= Plymouth			DBB = All Manual

AR = Use as required - = Non illustrated part # = New this model year

May 3, 2002

## Lock Cylinder And Keys Figure 23D-105



ITEM	PART NUMBER	QTY	LINE	BODY	DESCRIPTION
-36	5257 133	1			TUMBLER, Ignition Number 2, Glove Box Lock Only, Not Ignition Lock
-37	5257 134	1			TUMBLER, Ignition Number 3, Glove Box Lock Only, Not Ignition Lock
-38	5257 135	1			TUMBLER, Ignition Number 4, Glove Box Lock Only, Not Ignition Lock
-39	4746 873	4			SPRING, Lock Cylinder Tumbler w/Sentry Theft Deterrent
40					LINK, Key Cylinder To Latch
	#4783 570	1			Right
	#4783 571	1			Left
41	#4759 008AD	2			TRANSMITTER, Keyless Entry
-42	8350 4802	2			BATTERY, Transmitter
43					RECEIVER, Keyless Entry
	#5293 040AE	1			
	#5293 043AE	1			Export
	#5293 045AE	1	Z		
44	5507 5824	2			LEVER, Door Lock Cylinder
45	#5269 985AB	1			MODULE, Immobilizer, Sentry Key Theft Deterrent System
46	#5293 050AB	1			SIREN, Alarm, Premium
47	6101 976	2			SCREW, Hex Flange Head, M6.3x1.81x16, Siren Mounting

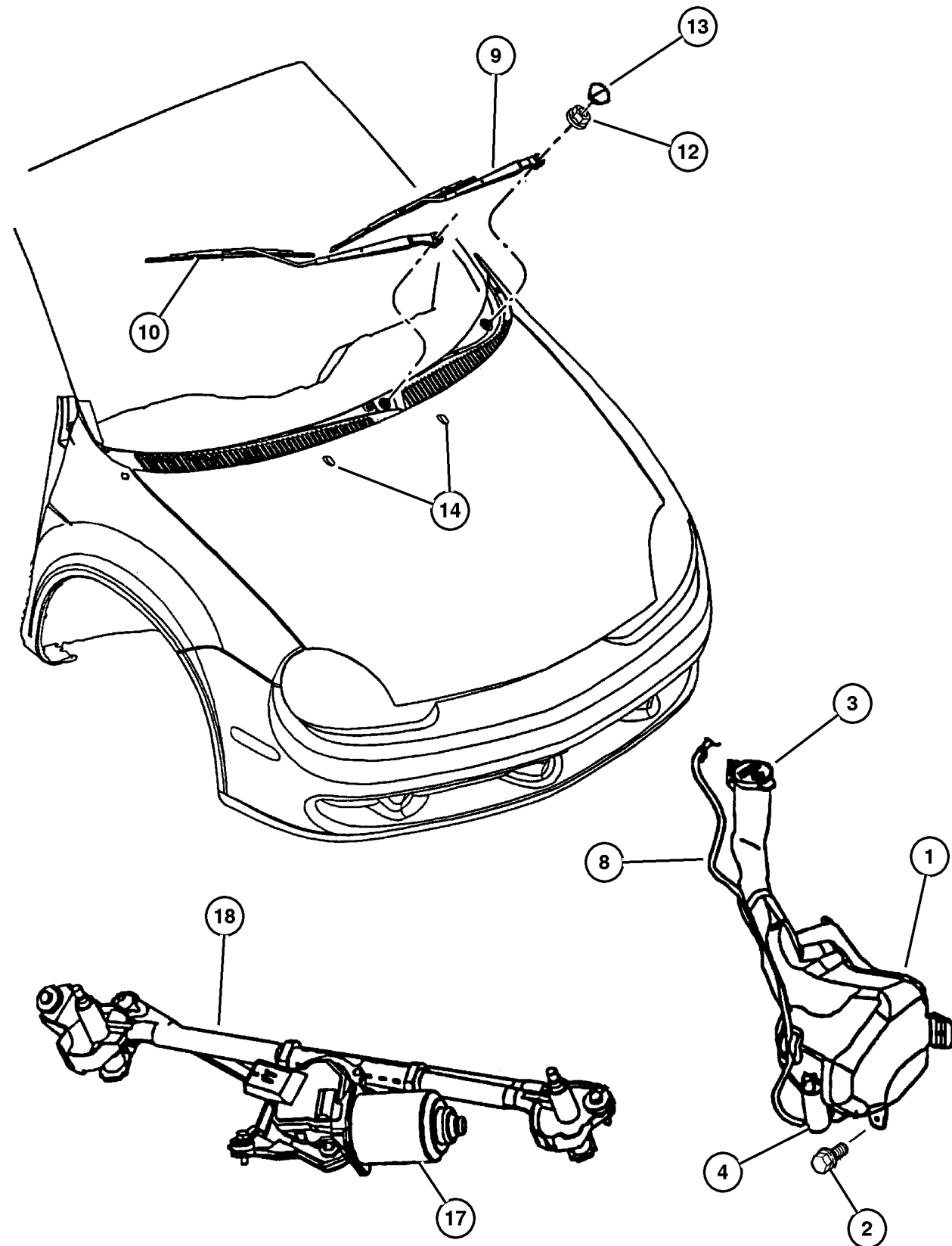
**DODGE - PLYMOUTH - CHRYSLER NEON (PL)**

SERIES	LINE	BODY	ENGINE	TRANSMISSION
L=Low Line	Z= RHD	41 = 4 Door, 104.0WB	ECB =2.0L 4 Cyl. SOHC	DD5 = 5 Speed Manual
H=High Line	D= Dodge		EBD = 1.8L 4Cyl SOHC	DGC = 3 Speed Automatic
	D= Chrysler			DG0 = All Automatic
	P= Plymouth			DBB = All Manual

AR = Use as required - = Non illustrated part # = New this model year

May 3, 2002

**Windshield Wiper And Washer  
Figure 23D-205**



ITEM	PART NUMBER	QTY	LINE	BODY	DESCRIPTION
1	#5015 347AA	1			RESERVOIR, Washer
2	6034 716	2			SCREW AND WASHER, Hex Flange Head, .25-14x.875, Reservoir Mtg
3	4797 694	1			CAP, Washer Reservoir
4	55077 241AA	1			PUMP, Washer, Windshield
-5	#5015 348AA	1			GROMMET, Washer Pump
-6					SENSOR, Washer Fluid Level, (NOT SERVICED)
-7	#5015 351AA	1			GROMMET, Fluid Level Sensor
8	5014 964AA	1			HOSE, Windshield Washer
9					ARM, Wiper
	#5014 792AA	1	D, P		Right
	#5014 793AA	1	D, P		Left
	#5014 802AA	1	Z		Right
	#5014 803AA	1	Z		Left
10					BLADE, Wiper
	#5014 794AA	1	D, P		Right
	#5014 795AA	1	D, P		Left
	#5014 804AA	1	Z		Right
	#5014 805AA	1	Z		Left
-11					REFILL, Wiper Blade
	#5014 796AA	1	D, P		Right
	#5014 797AA	1	D, P		Left
	#5014 806AA	1	Z		Right
	#5014 807AA	1	Z		Left
12	6500 165	2			NUT, Wiper Arm
13	4389 440	2			CAP, Wiper Arm Nut
14	#5288 462AD	2			NOZZLE, Washer, Windshield
-15	4805 166	1			CONNECTOR, Washer Hose, Y
-16	5288 255	2			CLIP, Hood Washer Hose
17					MOTOR, Wiper
	#5014 790AA	1	D, P		
	#5014 798AA	1	Z		
18					LINKAGE, Wiper Arm
	#5014 791AA	1	D, P		
	#5014 799AA	1	Z		
-19	#4794 043AD	1			WIRING, Underhood Lamp

**DODGE - PLYMOUTH - CHRYSLER NEON (PL)**

SERIES	LINE	BODY	ENGINE	TRANSMISSION
L=Low Line	Z= RHD	41 = 4 Door, 104.0WB	ECB =2.0L 4 Cyl. SOHC	DD5 = 5 Speed Manual
H=High Line	D= Dodge		EBD = 1.8L 4Cyl SOHC	DGC = 3 Speed Automatic
	D= Chrysler			DG0 = All Automatic
	P= Plymouth			DBB = All Manual

AR = Use as required - = Non illustrated part # = New this model year

May 3, 2002

# Group – 024

## Air Conditioning & Heater

### GROUP 24 - Air Conditioning & Heater

Illustration Title

Group-Fig. No.

#### Air Conditioner and Heater Units

Heater Unit Left-Hand Drive .....	Fig. 024-103
Heater Unit Right-Hand Drive .....	Fig. 024-105
Air Conditioning Unit Left-Hand Drive .....	Fig. 024-115
Air Conditioning and Heater Unit Right-Hand Drive .....	Fig. 024-120

#### Air Conditioner and Heater Plumbing

Plumbing, Heater .....	Fig. 024-202
Plumbing, Air Conditioning .....	Fig. 024-204

#### Air Conditioner and Heater Controls

Controls, Air Conditioning and Heater .....	Fig. 024-302
---	--------------

#### Air Conditioning Compressor

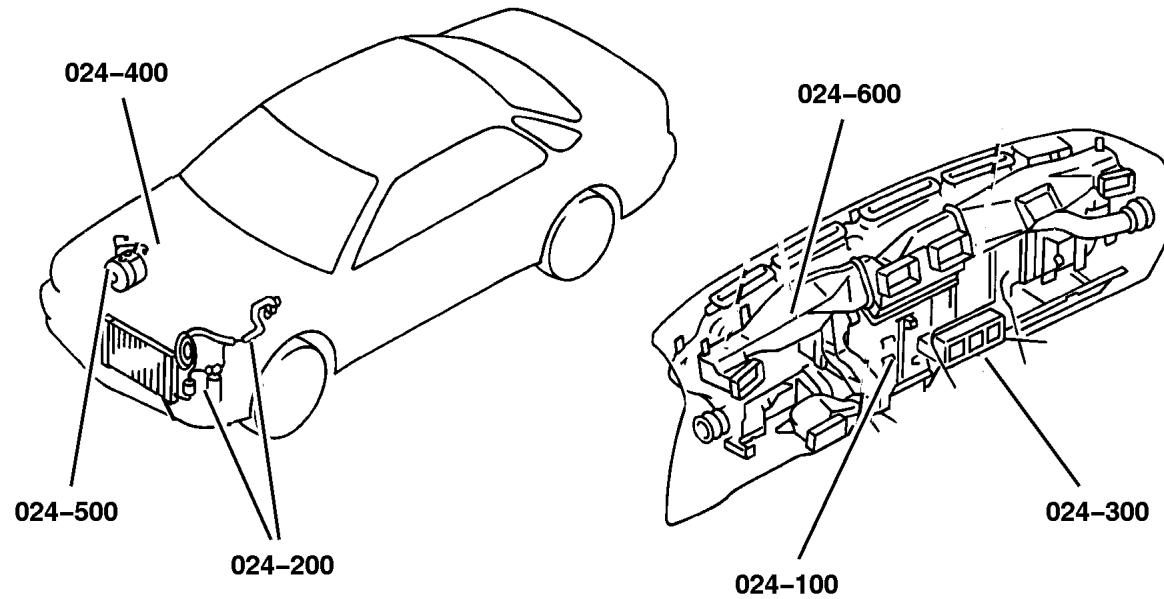
Compressor .....	Fig. 024-403
------------------	--------------

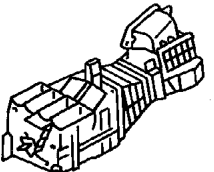
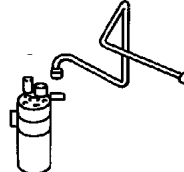
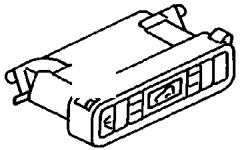
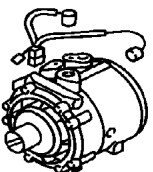
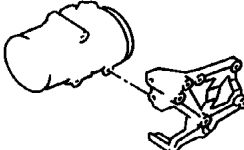
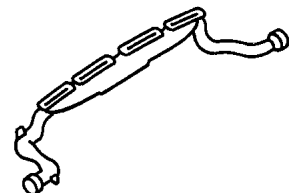
#### Air Conditioning Compressor Mounting

Compressor Mounting .....	Fig. 024-503
---------------------------	--------------

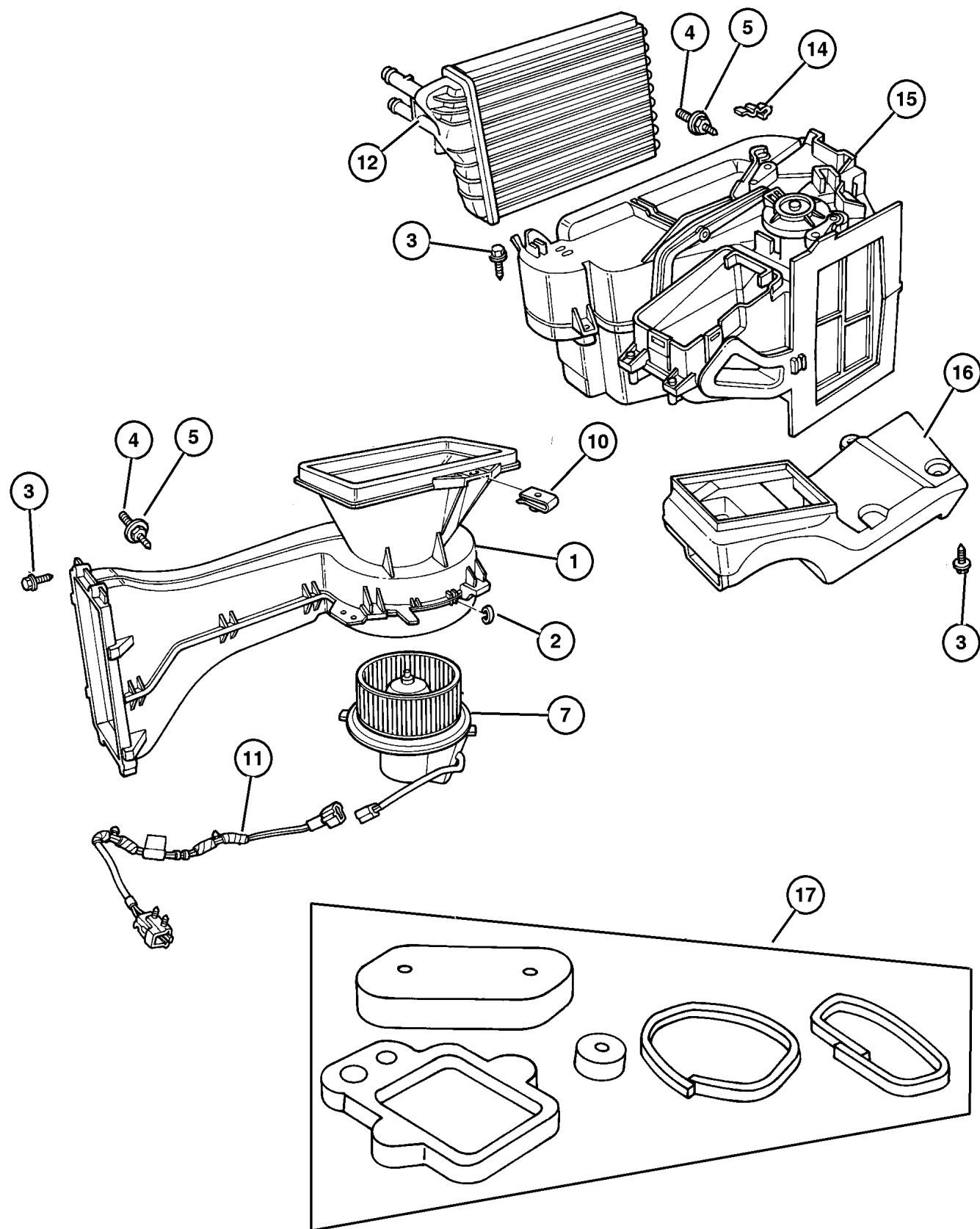
#### Air Ducts and Outlets

Air Distribution Ducts .....	Fig. 024-603
Air Distribution Outlets .....	Fig. 024-605



<p><b>024-100</b> Air Conditioner and Heater Units</p> 	<p><b>024-200</b> Air Conditioner and Heater Plumbing</p> 	<p><b>024-300</b> Air Conditioner and Heater Controls</p> 	<p><b>024-400</b> Air Conditioning Compressor</p> 
<p><b>024-500</b> Air Conditioning Compressor Mounting</p> 	<p><b>024-600</b> Air Ducts and Outlets</p> 		

**Heater Unit Left-Hand Drive  
Figure 024-103**



ITEM	PART NUMBER	QTY	LINE	BODY	ENGINE	DESCRIPTION
1	#5015 287AA	1	D, P			HOUSING, Blower Motor
2	4644 388	2	D, P			CLIP, A/C Heater Housing
3	4734 227	30	D, P			SCREW, Hex Head, M4.8-1.59x19
4	4734 392	3	D, P			STUD, A/C Heater Housing
5	6031 087	3	D, P			WASHER, A/C Unit Mounting Stud
-6	#4644 525	1	D, P			LEVER, Blend Air Door
7	#4885 325AA	1	D, P			MOTOR, Blower with Wheel
-8	#5264 803AA	1	D, P			RESISTOR, Blower Motor
-9	4734 239	1	D, P			CAP, Blower Motor
10	6101 308	1	D, P			NUT, U, M6x1
11	#4793 949AB	1	D, P			WIRING, Heater Jumper
12	4734 453	1	D, P			CORE, Heater
-13						SEAL, Heater Core, Serviced in Heater Core, (NOT SERVICED)
14	4644 499	2	D, P			CLIP, Air Conditioning Cable
15	#5015 288AA	1	D, P			HOUSING, Distribution
16	4885 423AA	1	D, P			DUCT, Floor Distribution
17	#5015 289AA	1	D, P			SEAL KIT, A/C And Heater Unit

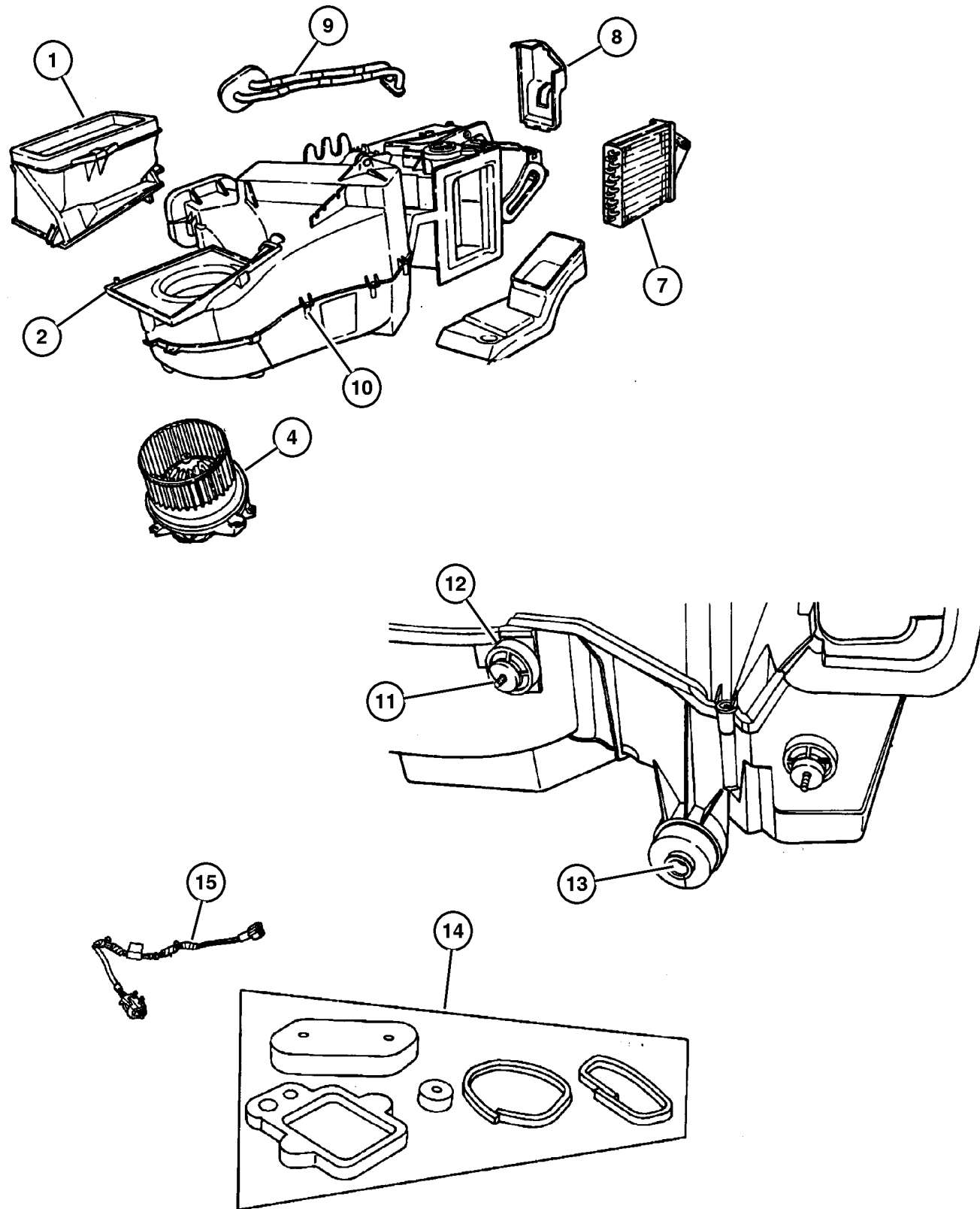
**DODGE - PLYMOUTH - CHRYSLER NEON (PL)**

SERIES	LINE	BODY	ENGINE	TRANSMISSION
L=Low Line	Z= RHD	41 = 4 Door, 104.0WB	ECB =2.0L 4 Cyl. SOHC	DD5 = 5 Speed Manual
H=High Line	D= Dodge		EBD = 1.8L 4Cyl SOHC	DGC = 3 Speed Automatic
	D= Chrysler			DG0 = All Automatic
	P= Plymouth			DBB = All Manual

AR = Use as required - = Non illustrated part # = New this model year

May 3, 2002

## Heater Unit Right-Hand Drive Figure 024-105



ITEM	PART NUMBER	QTY	LINE	BODY	ENGINE	DESCRIPTION
1	5013 422AA	1	Z			HOUSING, Heater Air Inlet
2	5013 421AA	1	Z			HOUSING, A/C And Heater
-3	#4644 525	1	D, P			LEVER, Blend Air Door
4	#5017 720AA	1	Z			MOTOR, Blower with Wheel
-5	#5264 803AA	1	D, P			RESISTOR, Blower Motor
-6	4874 185	1	Z			COVER, Blower Motor
7	4874 181	1	Z			CORE, Heater
8	4874 182	1	Z			COVER, Heater Core Tubes
9	4874 183	1	Z			TUBE, Heater Core
10	4644 388	6	Z			CLIP, A/C Heater Housing
11	4644 225	3	Z			STUD, A/C Heater Housing
12	6031 087	3	Z			WASHER, A/C Unit Mounting Stud
13	4874 186	1	Z			PLUG, A/C Evaporator Drain Tube
14	4874 187	1	Z			SEAL KIT, A/C And Heater Unit
15	#4793 950AB	1	Z			WIRING, A/C and HEATER
-16	4734 227	25	Z			SCREW, Hex Head, M4.8-1.59x19
-17	4874 184	1	Z			GROMMET, A/C Probe

**DODGE - PLYMOUTH - CHRYSLER NEON (PL)**

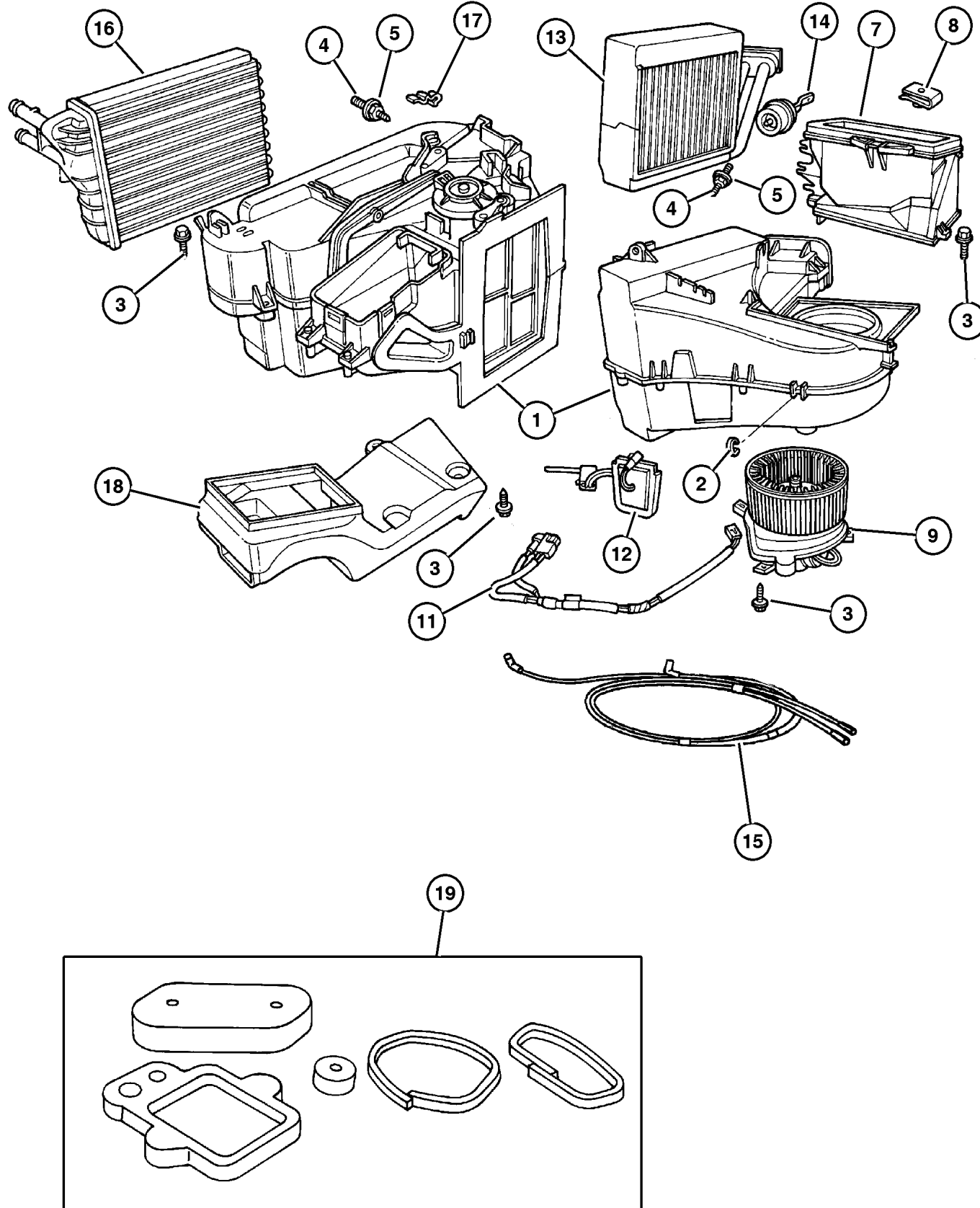
SERIES	LINE	BODY	ENGINE	TRANSMISSION
L=Low Line	Z= RHD	41 = 4 Door, 104.0WB	ECB =2.0L 4 Cyl. SOHC	DD5 = 5 Speed Manual
H=High Line	D= Dodge		EBD = 1.8L 4Cyl SOHC	DGC = 3 Speed Automatic
	D= Chrysler			DG0 = All Automatic
	P= Plymouth			DBB = All Manual

AR = Use as required - = Non illustrated part # = New this model year

May 3, 2002



### Air Conditioning Unit Left-Hand Drive Figure 024-115



ITEM	PART NUMBER	QTY	LINE	BODY	ENGINE	DESCRIPTION
1	#5015 285AA	1	D, P			HOUSING, A/C And Heater
2	4644 388	2	D, P			CLIP, A/C Heater Housing
3	4734 227	30	D, P			SCREW, Hex Head, M4.8-1.59x19
4	4734 392	3	D, P			STUD, A/C Heater Housing
5	6031 087	3	D, P			WASHER, A/C Unit Mounting Stud
-6	#4644 525	1	D, P			LEVER, Blend Air Door
7	#5015 286AA	1	D, P			HOUSING, Air Inlet
8	6101 308	1	D, P			NUT, U, M6x1
9	#4885 326AA	1	D, P			MOTOR, Blower with Wheel
-10	#5264 802AA	1				RESISTOR, Blower Motor
11	#4793 948AB	1	D, P			WIRING, A/C and HEATER
12	4644 536	1	D, P			PROBE, Air Conditioning
13	5011 513AC	1	D, P			EVAPORATOR, Air Conditioning
14	#4885 338AA	1	D, P			ACTUATOR, Vacuum
15	#4885 339AA	1	D, P			HARNESS, A/C And Heater Vacuum
16	4734 453	1	D, P			CORE, Heater
17	4644 499	2	D, P			CLIP, Air Conditioning Cable
18	4885 423AA	1	D, P			DUCT, Floor Distribution
19	#5015 289AA	1	D, P			SEAL KIT, A/C And Heater Unit
-20	#5264 840AC	1				DECAL, A/C System Specification
	#5278 748AB	1	D, P			FRENCH

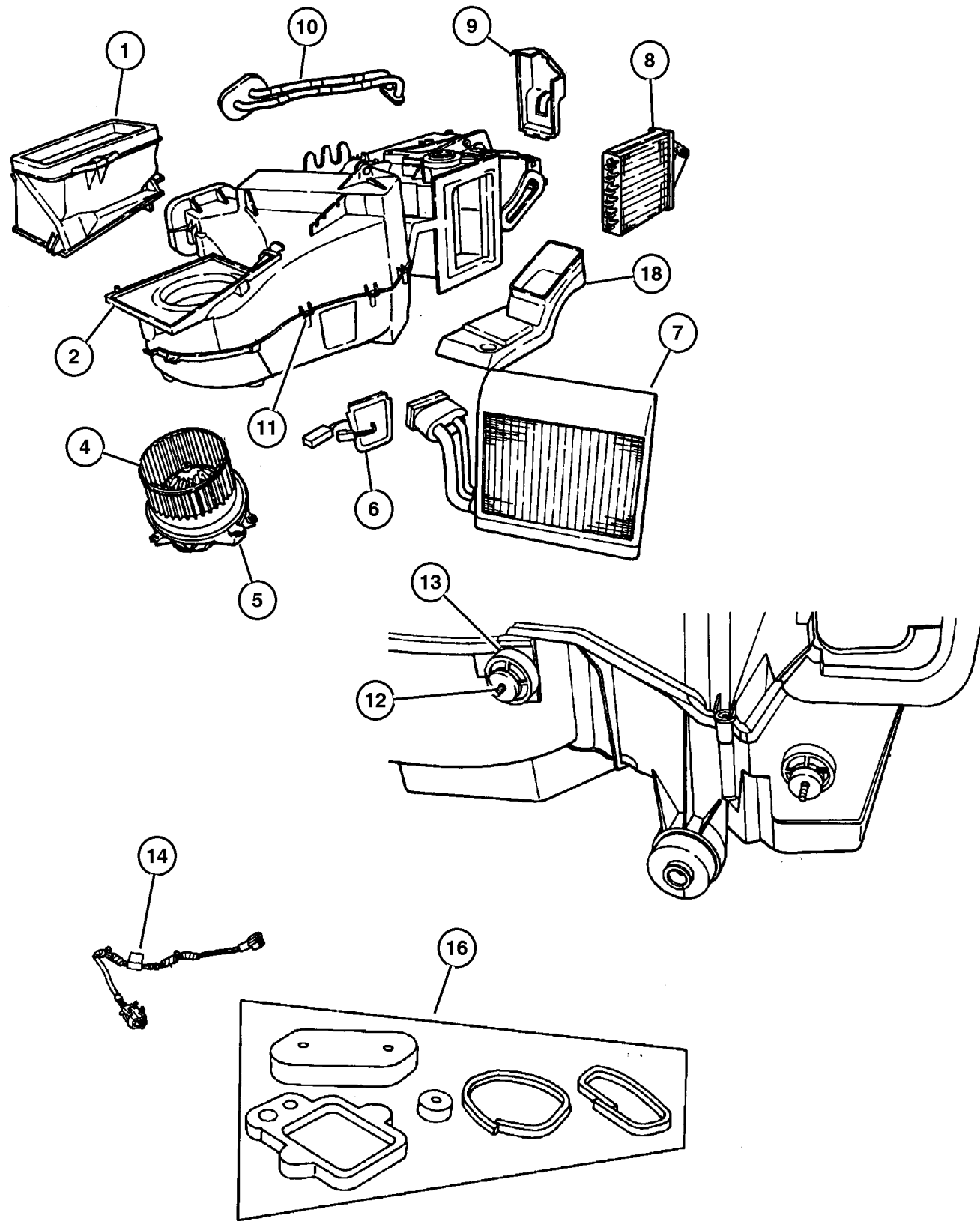
**DODGE - PLYMOUTH - CHRYSLER NEON (PL)**

SERIES	LINE	BODY	ENGINE	TRANSMISSION
L=Low Line	Z= RHD	41 = 4 Door, 104.0WB	ECB =2.0L 4 Cyl. SOHC	DD5 = 5 Speed Manual
H=High Line	D= Dodge		EBD = 1.8L 4Cyl SOHC	DGC = 3 Speed Automatic
	D= Chrysler			DG0 = All Automatic
	P= Plymouth			DBB = All Manual

AR = Use as required - = Non illustrated part # = New this model year

May 3, 2002

**Air Conditioning and Heater Unit Right-Hand Drive  
Figure 024-120**



ITEM	PART NUMBER	QTY	LINE	BODY	ENGINE	DESCRIPTION
1	5013 423AA	1	Z			HOUSING, Air Inlet
2	5013 421AA	1	Z			HOUSING, A/C And Heater
-3	#4644 525	1	D, P			LEVER, Blend Air Door
4	4885 326AA	1	D, P			MOTOR, Blower with Wheel
	#5017 720AA	1	Z			
5	4874 185	1	Z			COVER, Blower Motor
6	4644 536	1	D, P			PROBE, Air Conditioning
7	4874 180AB	1	Z			EVAPORATOR, Air Conditioning
8	4874 181	1	Z			CORE, Heater
9	4874 182	1	Z			COVER, Heater Core Tubes
10	4874 183	1	Z			TUBE, Heater Core
11	4644 388	6	Z			CLIP, A/C Heater Housing
12	4644 225	3	Z			STUD, A/C Heater Housing
13	6031 087	3	Z			WASHER, A/C Unit Mounting Stud
14	4661 940AB	1	Z			WIRING, A/C and HEATER
-15	#4793 950AB	1	Z			WIRING, A/C and HEATER
16	4874 187	1	Z			SEAL KIT, A/C And Heater Unit
-17	4734 227	25	Z			SCREW, Hex Head, M4.8-1.59x19
18	4885 423AA	1				DUCT, Floor Distribution
-19	#5264 802AA	1				RESISTOR, Blower Motor

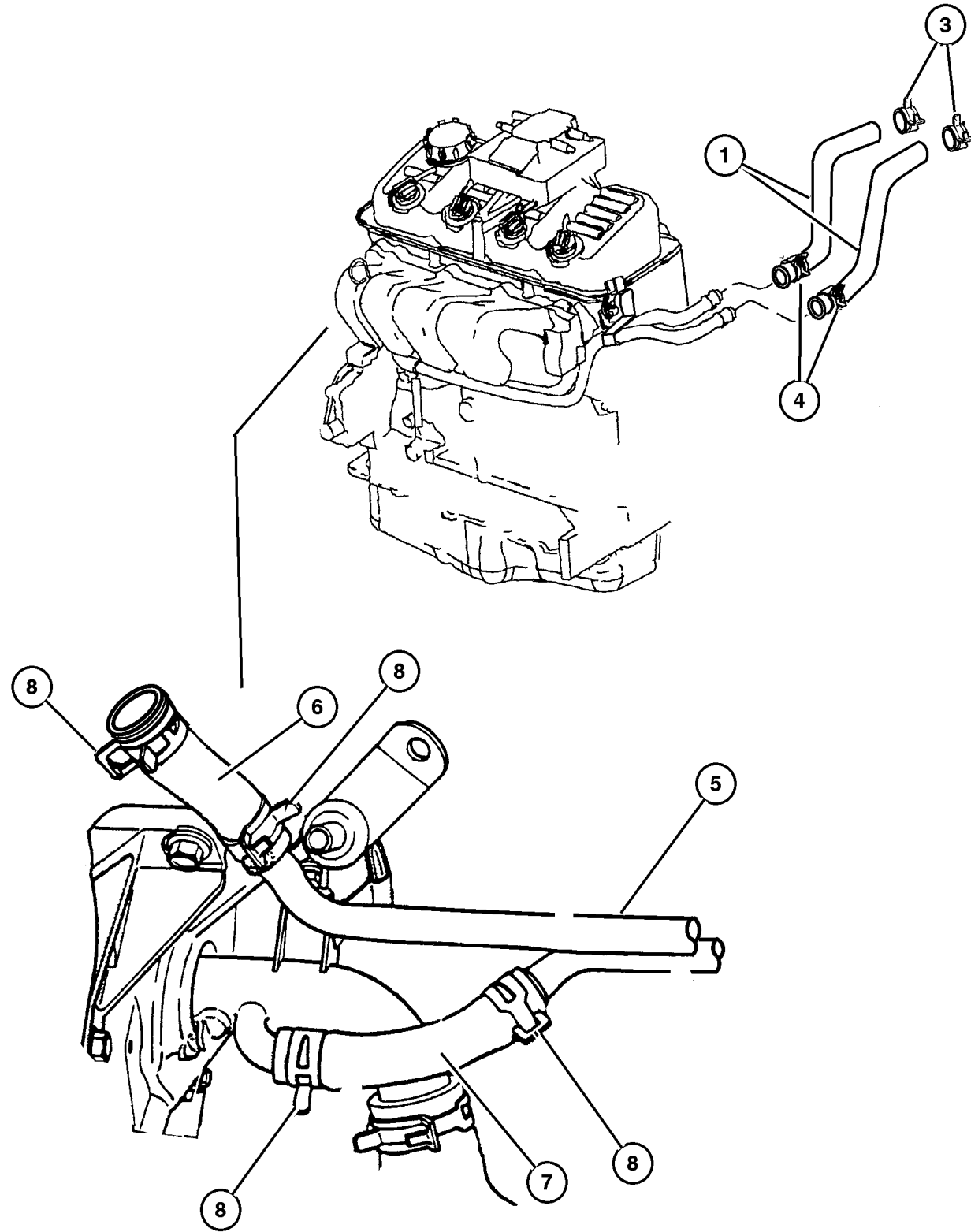
**DODGE - PLYMOUTH - CHRYSLER NEON (PL)**

SERIES	LINE	BODY	ENGINE	TRANSMISSION
L=Low Line	Z= RHD	41 = 4 Door, 104.0WB	ECB =2.0L 4 Cyl. SOHC	DD5 = 5 Speed Manual
H=High Line	D= Dodge		EBD = 1.8L 4Cyl SOHC	DGC = 3 Speed Automatic
	D= Chrysler			DG0 = All Automatic
	P= Plymouth			DBB = All Manual

AR = Use as required - = Non illustrated part # = New this model year

May 3, 2002

Plumbing, Heater  
Figure 024-202



ITEM	PART NUMBER	QTY	LINE	BODY	ENGINE	DESCRIPTION
NOTE: Sales Codes: n key.						
[EBD] = 1.8L 4 CYL SOHC 16V n key.						
[EBT] = 1.9L 4 CYL TURBO DIESEL n key.						
[ECB] = 2.0L SOHC 16V n key.						
1						HOSE, Heater Core To Tube
	#5264 755	2	D, P		EBD, ECB	
	#5264 781AA	2	Z		EBD, ECB	
-2	#5288 722AA	2				CLIP
3	6502 017	6			EBT	CLAMP, Heater Hose
4	6503 422	4			ECB	CLAMP, Supply Hose, 26 mm Diameter
		4			EBD	
5						TUBE, Heater
	#4884 028AA	1			ECB	
		1			EBD	
6						HOSE, Heater
	4428 965	2			ECB	
		2			EBD	
7						HOSE, Heater, Tube to Pump (Serviced in Item #6)
	4428 965	2			ECB	
		2			EBD	
8						CLAMP, Supply Hose, 26 mm Diameter
	6503 422	4			EBD	
		4			ECB	

DODGE - PLYMOUTH - CHRYSLER NEON (PL)

SERIES	LINE	BODY	ENGINE	TRANSMISSION
L=Low Line	Z= RHD	41 = 4 Door, 104.0WB	ECB =2.0L 4 Cyl. SOHC	DD5 = 5 Speed Manual
H=High Line	D= Dodge		EBD = 1.8L 4Cyl SOHC	DGC = 3 Speed Automatic
	D= Chrysler			DG0 = All Automatic
	P= Plymouth			DBB = All Manual

AR = Use as required - = Non illustrated part # = New this model year

May 3, 2002

**Plumbing, Air Conditioning  
Figure 024-204**

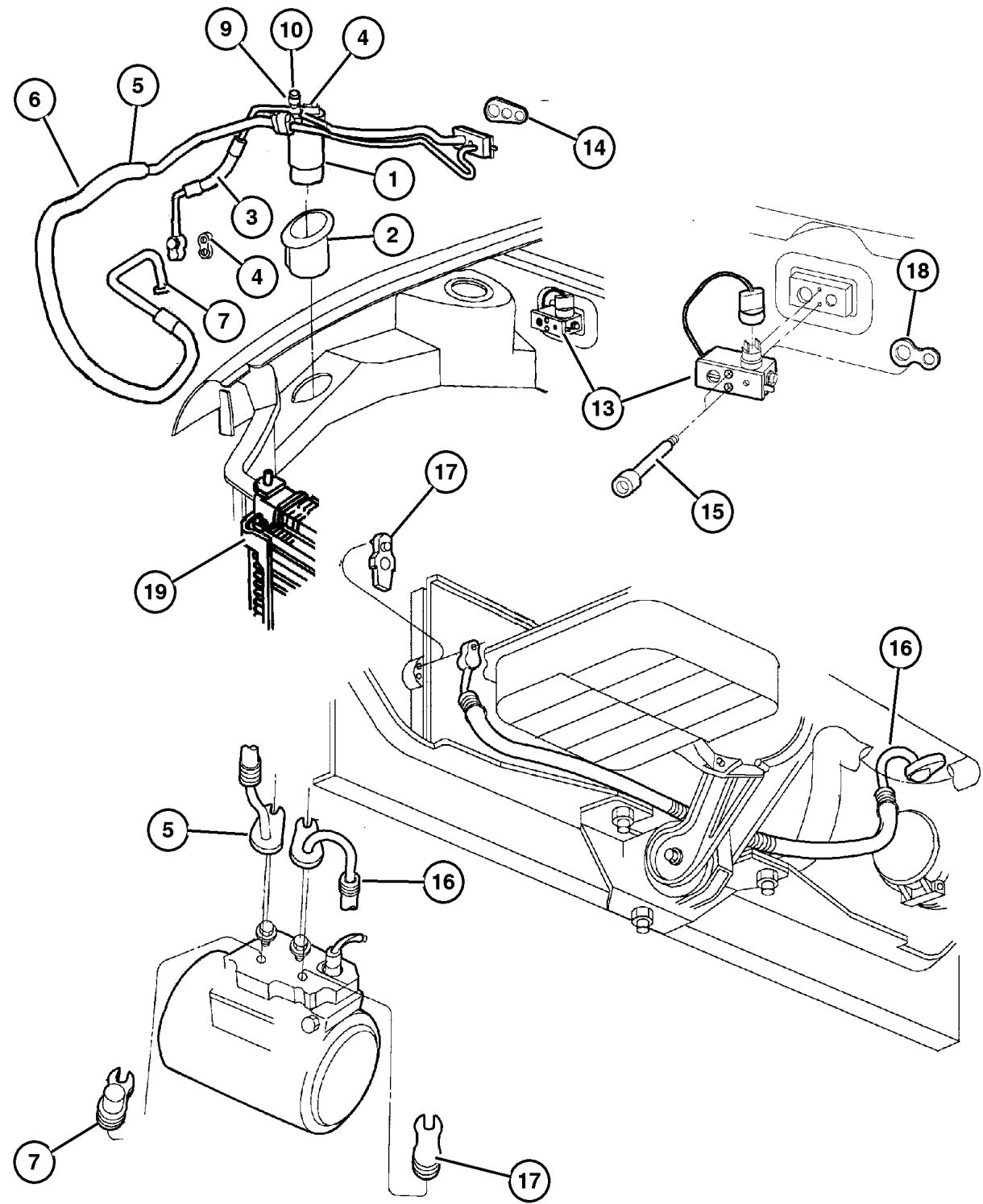
ITEM	PART NUMBER	QTY	LINE	BODY	ENGINE	DESCRIPTION
NOTE: Sales Codes: n key.						
[EBD] = 1.8L 4 CYL SOHC 16V n key.						
[ECB] = 2.0L SOHC 16V n key.						
1						DRIER, Air Conditioning Filter
	#5015 343AA	1	D, P		EBD, ECB	
		1	Z		EBD, ECB	
2	#5264 643AB	1				GROMMET, A/C Drier Mounting
3						LINE, A/C Liquid
	#5015 342AA	1	D, P		EBD, ECB	
		1	Z		EBD, ECB	
4	4882 139	2				O RING, High Pressure, Liquid Line, [8mm]
5						LINE, A/C Suction And Liquid
	#5015 344AA	1	D, P		EBD, ECB	
	#5015 345AA	1	Z		EBD, ECB	
6	#5278 761AB	1	D, P		EBD, ECB	LINE, A/C Suction
7						O RING, A/C Line, Suction Line 5/8 inch
	4796 564	1	D, P		EBD, ECB	
	4796 565	1				1/2 inch
-8	#5278 762AA	1	D, P		EBD, ECB	CLIP, A/C Suction Line
9						VALVE CORE, Service Port
	4762 788	2	Z		EBD, ECB	
		2	D, P		EBD, ECB	
10	5264 642	2				CAP, A/C Check Valve
-11	6101 770	1				SCREW AND WASHER, Hex Head, .19-16x1.00
-12	6101 660	1				SCREW AND WASHER, Hex Head, M8x1.25x35, Suction Line to H-Valve
13						VALVE, A/C Expansion, w/Cut-Off Switch
	#5278 510AC	1	D, P			
	#5278 538AB	1	Z			
14	5264 633	1				GASKET, A/C Expansion Valve
15	6032 572	2				SCREW, Cap, .25-20x2.00
16	#5264 759	1				LINE, A/C Discharge

**DODGE - PLYMOUTH - CHRYSLER NEON (PL)**

SERIES	LINE	BODY	ENGINE	TRANSMISSION
L=Low Line	Z=RHD	41 = 4 Door, 104.0WB	ECB =2.0L 4 Cyl. SOHC	DD5 = 5 Speed Manual
H=High Line	D= Dodge		EBD = 1.8L 4Cyl SOHC	DGC = 3 Speed Automatic
	D= Chrysler			DG0 = All Automatic
	P= Plymouth			DBB = All Manual

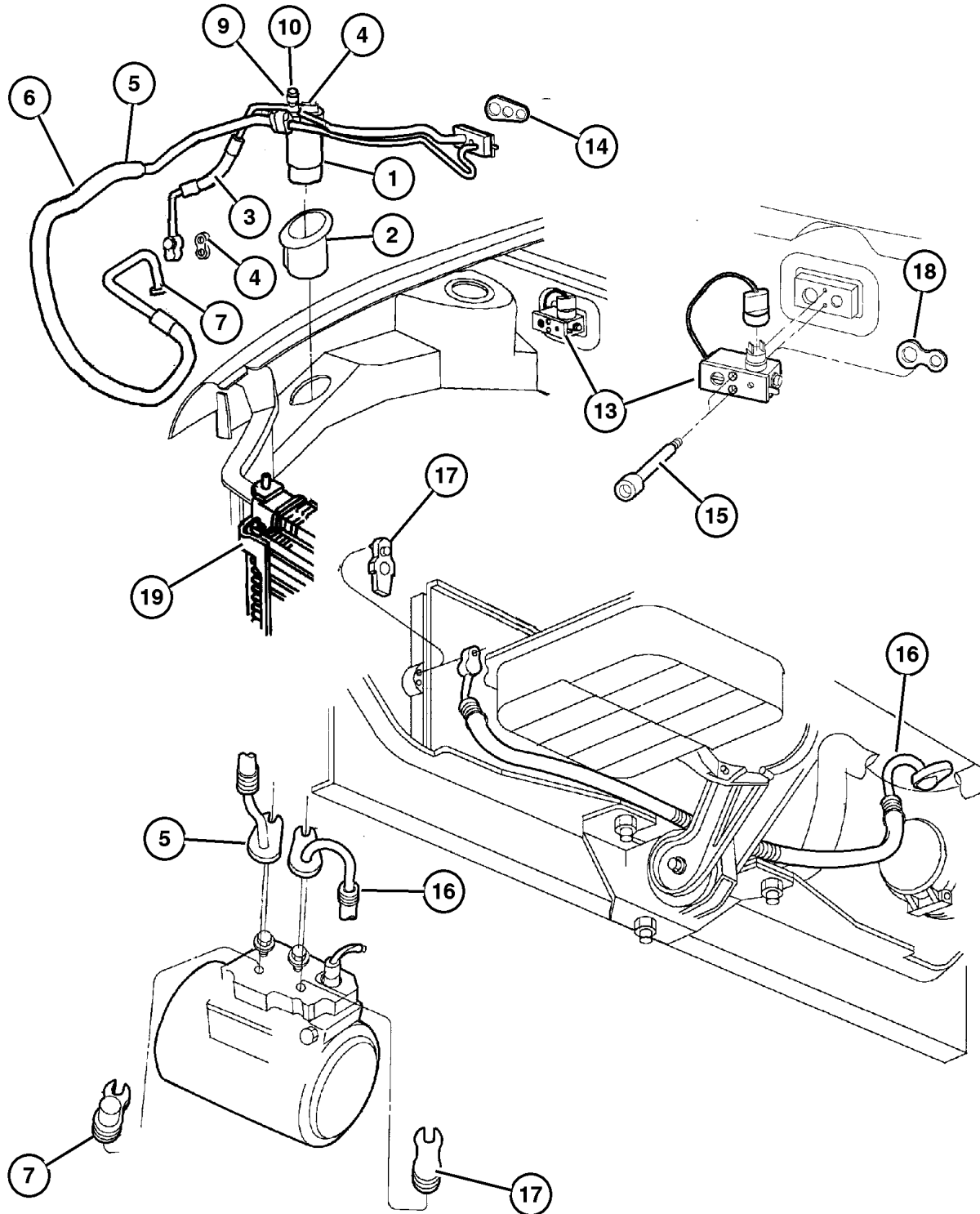
AR = Use as required - = Non illustrated part # = New this model year

May 3, 2002



Plumbing, Air Conditioning  
Figure 024-204

ITEM	PART NUMBER	QTY	LINE	BODY	ENGINE	DESCRIPTION
17	4796 565	2				O RING, A/C Line, Discharge Line
18						GASKET, H Valve Fixation, Serviced with Expansion Valve, (NOT SERVICED)
19	#5014 582AA	1			EBD, ECB	CONDENSER, Air Conditioning



DODGE - PLYMOUTH - CHRYSLER NEON (PL)  
 SERIES LINE BODY ENGINE TRANSMISSION  
 L=Low Line Z=RHD 41 = 4 Door, 104.0WB ECB =2.0L 4 Cyl. SOHC DD5 = 5 Speed Manual  
 H=High Line D= Dodge EBD = 1.8L 4Cyl SOHC DGC = 3 Speed Automatic  
 D= Chrysler DG0 = All Automatic  
 P= Plymouth DBB = All Manual

AR = Use as required - = Non illustrated part # = New this model year

May 3, 2002

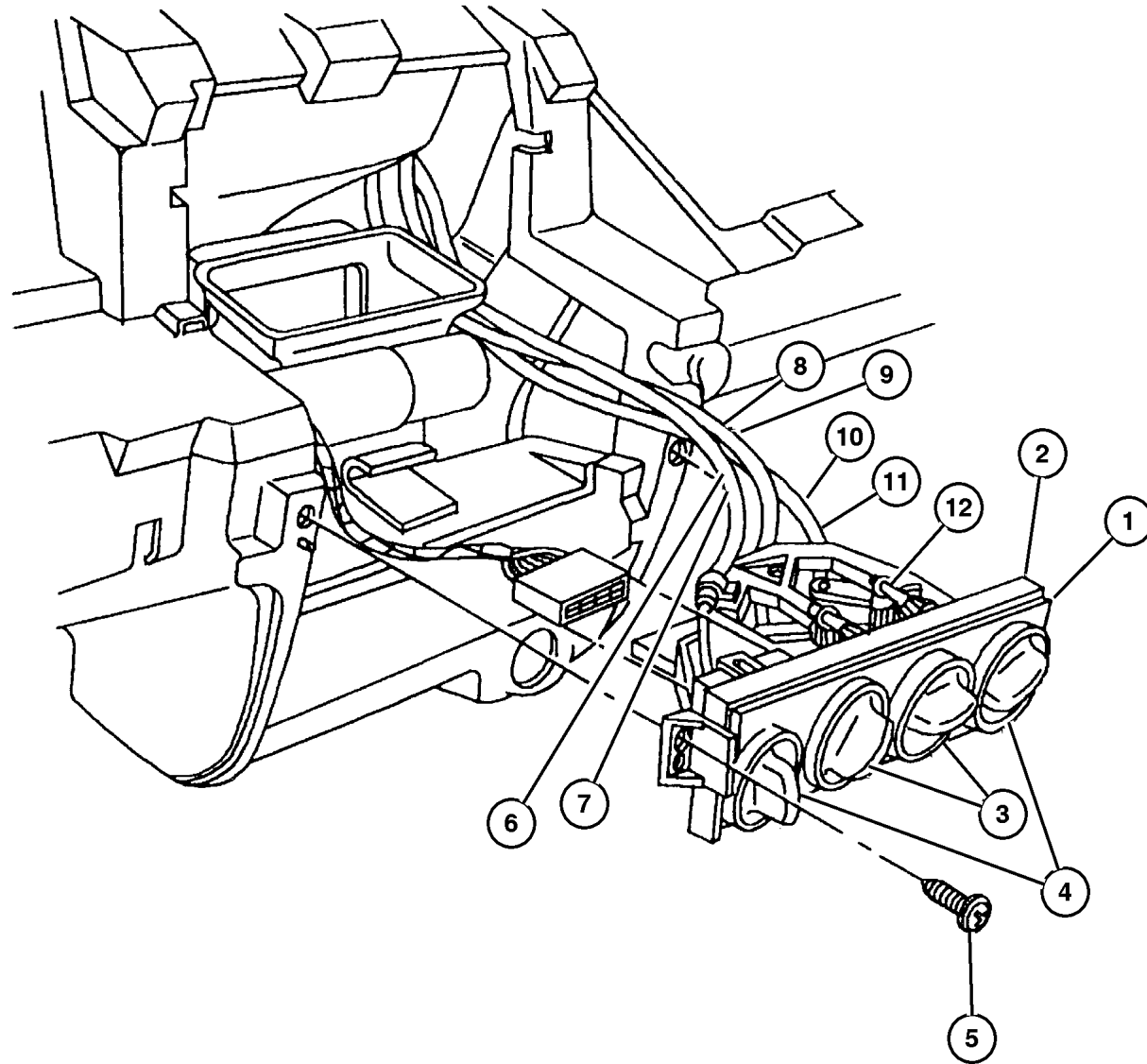
**Controls, Air Conditioning and Heater  
Figure 024-302**

ITEM	PART NUMBER	QTY	LINE	BODY	ENGINE	DESCRIPTION
------	-------------	-----	------	------	--------	-------------

NOTE: n key.

Control Face Plate serviced with center Instrument Panel Beze n key.

1						CONTROL, A/C And Heater
	#4885 336AA	1	D, P			
	#5015 381AA	1	Z			
2						CONTROL, Heater
	#4885 337AA	1	D, P			
	#5015 382AA	1	Z			
3						KNOB, A/C Control
	#SZ13 DX9AA	2				
		1	Z			Recirc
4						KNOB, Blower Switch
	#SZ14 DX9AA	1				Blower
		1	D, P			Recirc
5	6032 723	4				SCREW, Self Tapping, M4.2x1.69x19.05
6	#4885 391AA	1	D, P			CABLE, A/C And Heater Control, Mode, Mode, A/C
7	4644 495	1	Z			CABLE, Mode
8	#4885 392AA	1	D, P			CABLE, A/C And Heater Control, Temp Blend, Temp - Blend, A/C
9	4644 496	1	Z			CABLE, Temperature Control
10	4644 494	1	Z			CABLE, Recirculation Door, A/C
11	#4885 339AA	1	D, P			HARNESS, A/C And Heater Vacuum
12						CLIP, Air Conditioning Cable
	4644 499	4	D, P			
		4	Z			
-13	5003 281AA	4				BULB, Heater and A/C Control



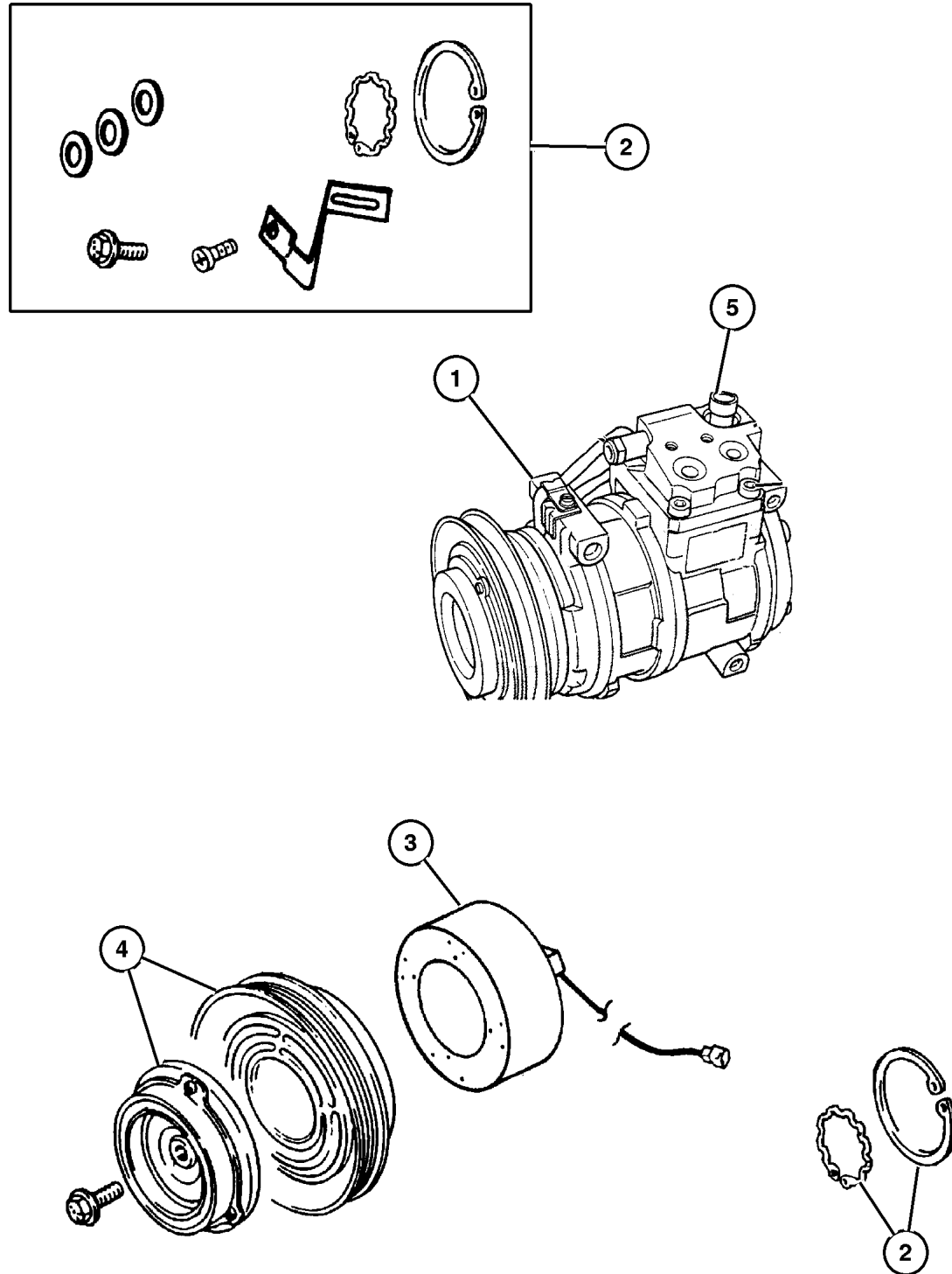
**DODGE - PLYMOUTH - CHRYSLER NEON (PL)**

SERIES	LINE	BODY	ENGINE	TRANSMISSION
L=Low Line	Z= RHD	41 = 4 Door, 104.0WB	ECB =2.0L 4 Cyl. SOHC	DD5 = 5 Speed Manual
H=High Line	D= Dodge		EBD = 1.8L 4Cyl SOHC	DGC = 3 Speed Automatic
	D= Chrysler			DG0 = All Automatic
	P= Plymouth			DBB = All Manual

AR = Use as required - = Non illustrated part # = New this model year

May 3, 2002

Compressor  
Figure 024-403



ITEM	PART NUMBER	QTY	LINE	BODY	ENGINE	DESCRIPTION
1	#5264 760AB	1				COMPRESSOR, Air Conditioning
2	#5014 572AA	1				CLUTCH OVERHAUL KIT, A/C Compressor
3	4864 715	1				COIL, Stator, A/C Compressor Clutch
4	#5014 573AA	1				PULLEY HUB KIT, A/C Compressor
5	#5014 574AA	1				SWITCH, A/C High Pressure Cut Off

DODGE - PLYMOUTH - CHRYSLER NEON (PL)			
SERIES	LINE	BODY	ENGINE
L=Low Line	Z= RHD	41 = 4 Door, 104.0WB	ECB =2.0L 4 Cyl. SOHC
H=High Line	D= Dodge		EBD = 1.8L 4Cyl SOHC
	D= Chrysler		
	P= Plymouth		

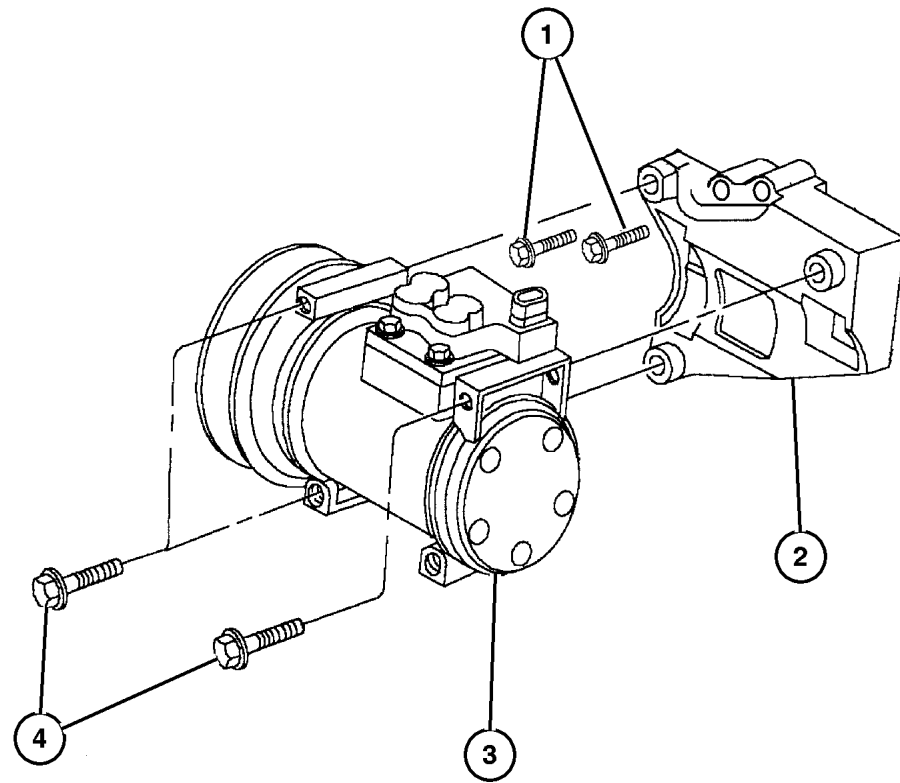
TRANSMISSION
DD5 = 5 Speed Manual
DGC = 3 Speed Automatic
DG0 = All Automatic
DBB = All Manual

AR = Use as required - = Non illustrated part # = New this model year

May 3, 2002

## Compressor Mounting Figure 024-503

ITEM	PART NUMBER	QTY	LINE	BODY	ENGINE	DESCRIPTION
NOTE: n key.						
Sales Codes: n key.						
ECB = 2.0L SOHC 16V n key.						
EBD = 1.8L 4 CYL SOHC 16V SEFI n key.						
1						SCREW AND WASHER, Hex Head, M10x1.5x45
	6101 512	3			EBD	
		3			ECB	
2	#4668 194	1			EBD, ECB	BRACKET, Torque Reaction, Compressor Mounting
3	#5264 760AB	1				COMPRESSOR, Air Conditioning
4	6503 219	4			EBD, ECB	SCREW AND WASHER, Hex Head, M8x1.25x100



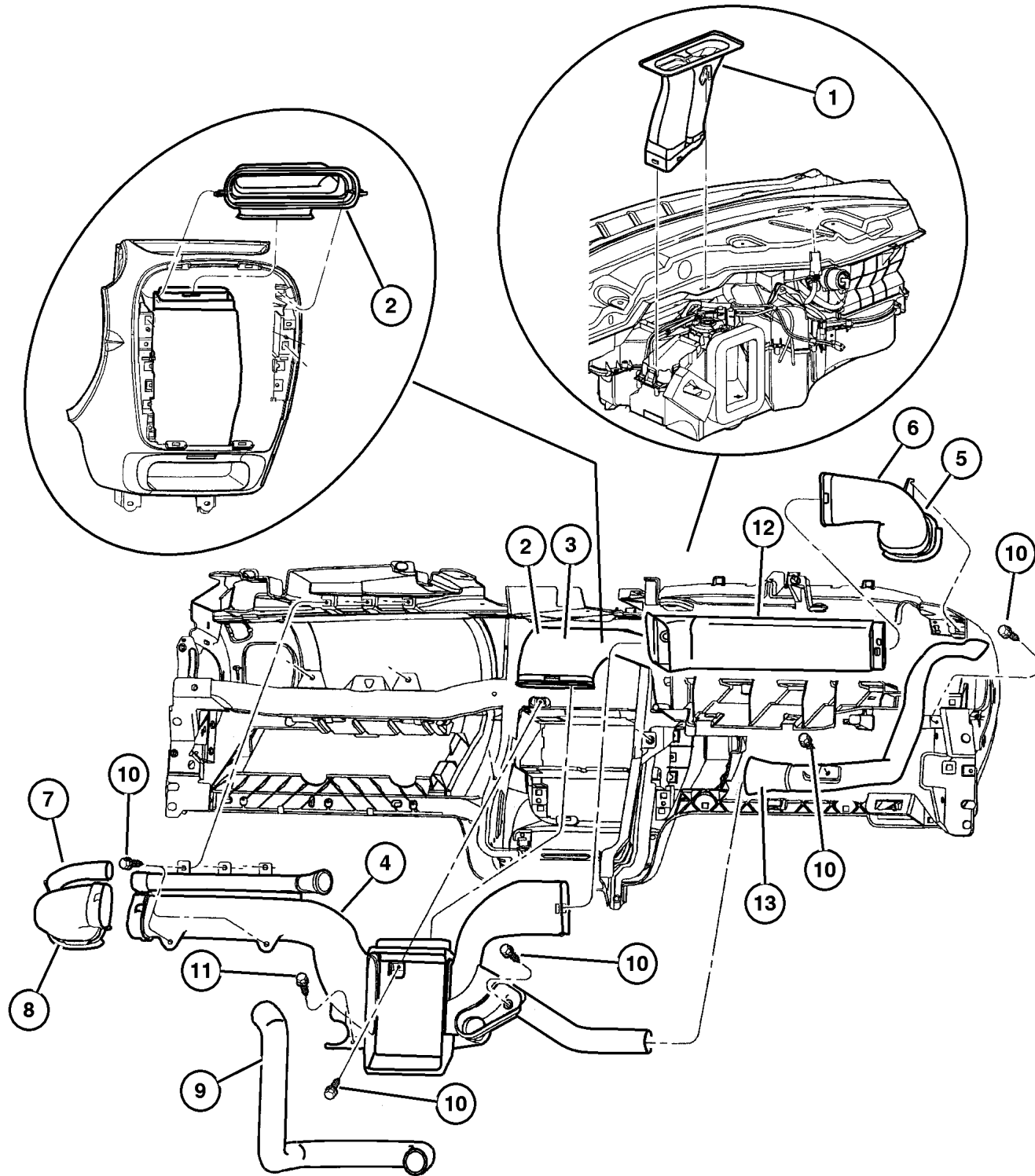
<b>DODGE - PLYMOUTH - CHRYSLER NEON (PL)</b>				
SERIES	LINE	BODY	ENGINE	TRANSMISSION
L=Low Line H=High Line	Z= RHD D= Dodge D= Chrysler P= Plymouth	41 = 4 Door, 104.0WB	ECB =2.0L 4 Cyl. SOHC EBD = 1.8L 4Cyl SOHC	DD5 = 5 Speed Manual DGC = 3 Speed Automatic DGO = All Automatic DBB = All Manual

AR = Use as required   - = Non illustrated part   # = New this model year

May 3, 2002



## Air Distribution Ducts Figure 024-603



ITEM	PART NUMBER	QTY	LINE	BODY	ENGINE	DESCRIPTION
1						DUCT, Defroster
	#5264 792AA	1	D, P			
	#5264 801AA	1	Z			
2	#5264 748	1	D, P			DUCT, Air Outlet Distribution, Center
3	#5264 785AA	1	Z			DUCT, Air Outlet, Center
4						DUCT, Air Outlet Distribution
	#5264 749	1	D, P			
	#5264 784AA	1	Z			
5	#5264 753	1	D, P			DUCT, Air Outlet, Left
6	#5264 788AA	1	Z			DUCT, Air Outlet, Right
7	#5264 752	1	D, P			DUCT, Air Outlet, Right
8	#5264 787AB	1	Z			DUCT, Air Outlet, Left
9	#5264 750	1				HOSE, Demister
10	6032 723	4				SCREW, Self Tapping, M4.2x1.69x19.05
11	6030 441	2				PIN, Retainer
12						DUCT, Air Outlet
	#5264 799AA	1	D, P			Left
	#5264 800AA	1	Z			Right
13	#5264 751	1	D, P			ADAPTER, Demister, Left

**DODGE - PLYMOUTH - CHRYSLER NEON (PL)**

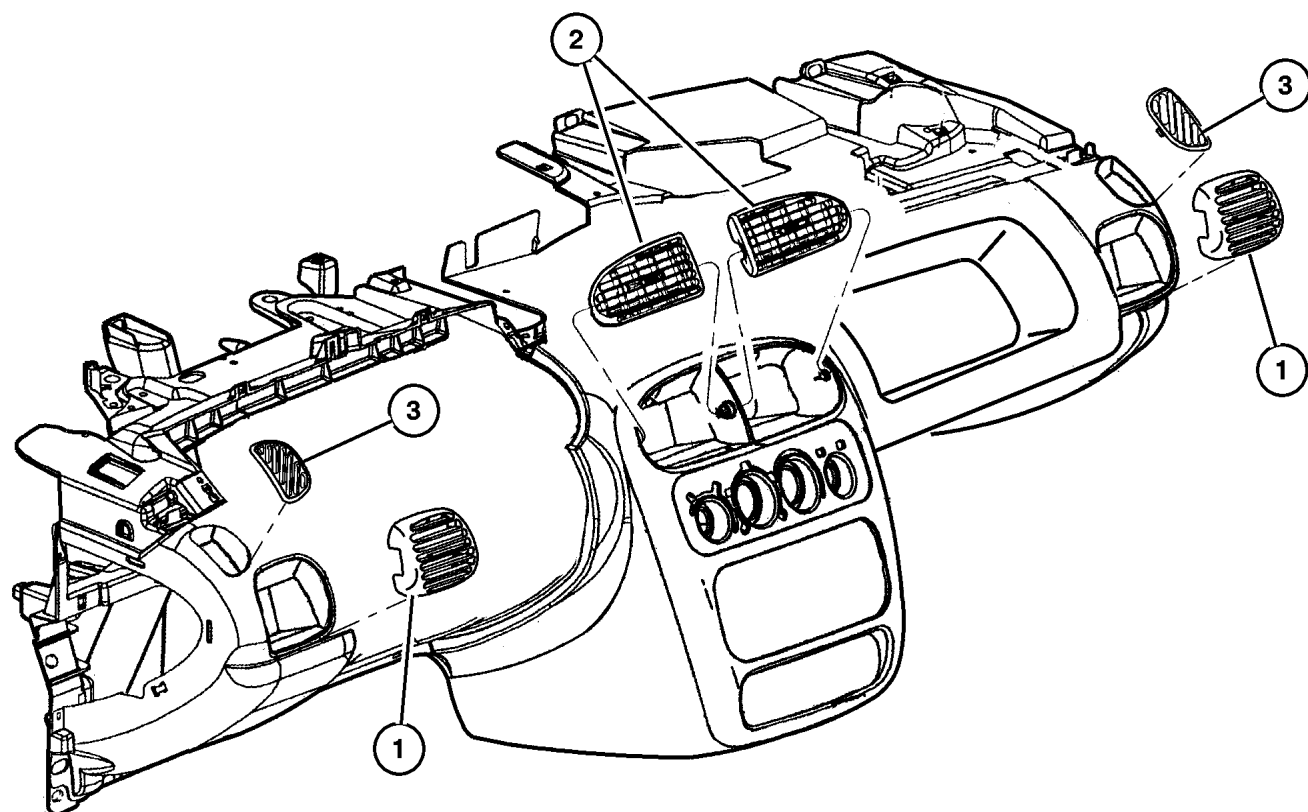
SERIES	LINE	BODY	ENGINE	TRANSMISSION
L=Low Line	Z= RHD	41 = 4 Door, 104.0WB	ECB =2.0L 4 Cyl. SOHC	DD5 = 5 Speed Manual
H=High Line	D= Dodge		EBD = 1.8L 4Cyl SOHC	DGC = 3 Speed Automatic
	D= Chrysler			DG0 = All Automatic
	P= Plymouth			DBB = All Manual

AR = Use as required - = Non illustrated part # = New this model year

May 3, 2002

## Air Distribution Outlets Figure 024-605

ITEM	PART NUMBER	QTY	LINE	BODY	ENGINE	DESCRIPTION
1						OUTLET, Air, Outer
	#QT56 LAZAA	2	D, P			Agate
		2	Z			Agate
	#QT56 WL5AA	2	D, P			Taupe
		2	Z			Taupe
2						OUTLET, Air, Center
	#QT58 DX9AB	1				Black, Right
	#QT59 DX9AB	1				Black, Left
3						GRILLE, Demister
	#RB23 LAZAA	1	D, P			Agate, Right
	#RB24 LAZAA	1	D, P			Agate, Left
	#RB23 WL5AA	1	D, P			Taupe, Right
	#RB24 WL5AA	1	D, P			Taupe, Left
	#RC58 LAZAA	1	Z			Agate, Right
	#RC59 LAZAA	1	Z			Agate, Left
	#RC58 WL5AA	1	Z			Taupe, Right
	#RC59 WL5AA	1	Z			Taupe, Left



**DODGE - PLYMOUTH - CHRYSLER NEON (PL)**

SERIES	LINE	BODY	ENGINE	TRANSMISSION
L=Low Line	Z= RHD	41 = 4 Door, 104.0WB	ECB =2.0L 4 Cyl. SOHC	DD5 = 5 Speed Manual
H=High Line	D= Dodge		EBD = 1.8L 4Cyl SOHC	DGC = 3 Speed Automatic
	D= Chrysler			DG0 = All Automatic
	P= Plymouth			DBB = All Manual

AR = Use as required - = Non illustrated part # = New this model year

May 3, 2002

# Group – 025

## Emission Systems

### GROUP 25 - Emission Systems

Illustration Title

Group-Fig. No.

#### Emission Labels

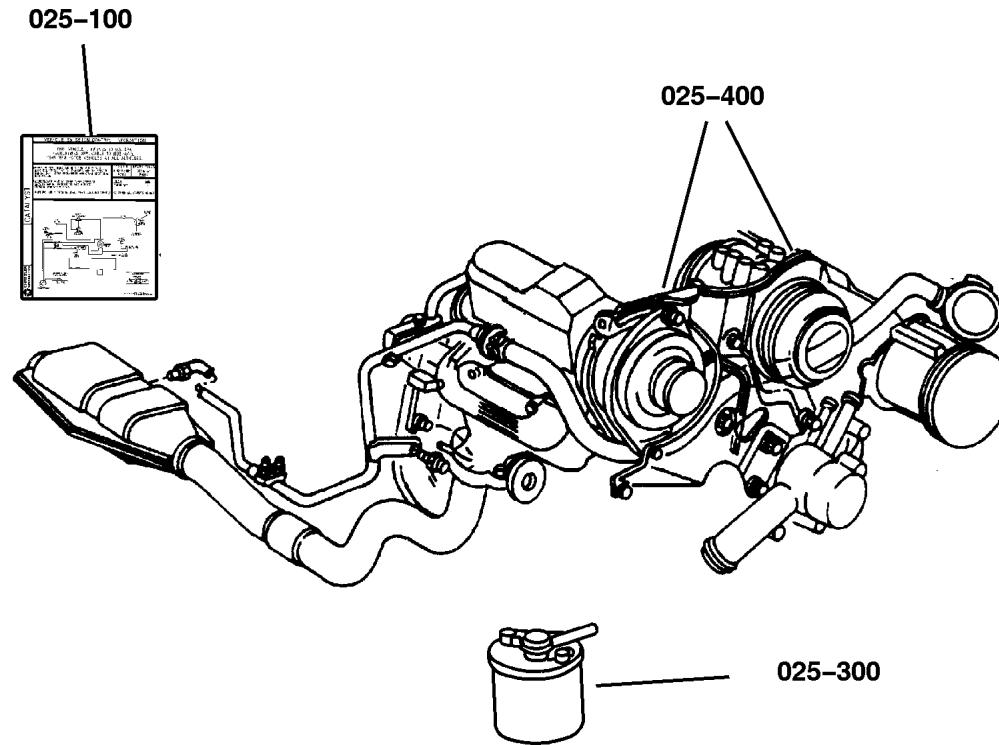
Emission Labels PL ..... Fig. 025-101

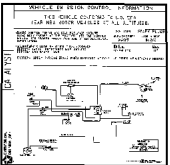
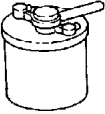
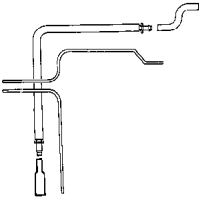
#### Vacuum Canister

Vapor Canister and Leak Detection Pump ..... Fig. 025-301

#### Emission Harness

Emission Control Vacuum Harness PL ..... Fig. 025-401



<p><b>025-100</b> Emission Labels</p> 	<p><b>025-300</b> Vacuum Canister</p> 	<p><b>025-400</b> Emission Harness</p> 	
---	---	---	--

Emission Labels PL  
Figure 025-101

ITEM	PART NUMBER	QTY	LINE	BODY	ENGINE	TRANS	DESCRIPTION
------	-------------	-----	------	------	--------	-------	-------------

NOTE: Sales Codes n key.  
 [DD5]=Manual Trans n key.  
 [DGC]=Automatic Trans. . n key.  
 [EBD]=1.8L Engine n key.  
 [ECB]=2.0L SOHC Engine n key.  
 [NAA]=Federal Emissions n key.  
 [NAE]=California Emissions. n key.  
 [NBN]=Northeastern States Emissions n key.  
 [8DE]=Japan. n key.  
 [8GA]=Tiawan n key.

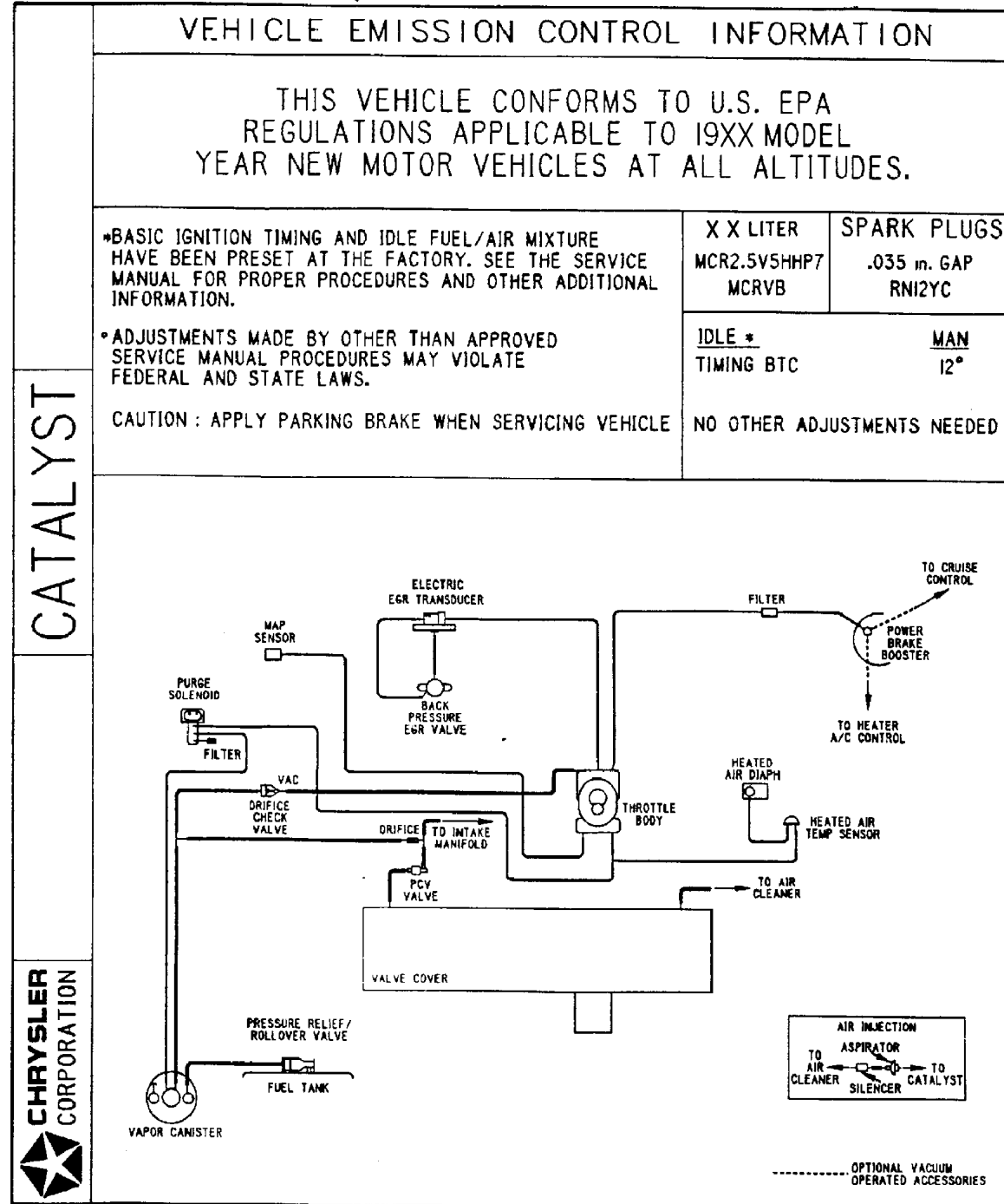
ITEM	PART NUMBER	QTY	LINE	BODY	ENGINE	TRANS	DESCRIPTION
1							LABEL, Emission
	#4891 260AA	1			ECB		Domestic [NAA] Federal
	#4891 262AA	1			ECB	DGC	ALL [NAE] California w/Out [NBN] Northeastern States
	#4891 262AB	1			ECB	DGC	All [NBN] Northeastern States
	#4891 263AA	1			ECB	DD5	ALL [NAE] California w/Out [NBN] Northeastern States
	#4891 263AB	1			ECB	DD5	All [NBN] Northeastern States
	#4891 261AA	1			ECB		Canada [NAA] Federal
	#4891 264AA	1			ECB	DD5, DGC	International w/Out [8GA] [8DE] Tiawan or Japan
	#4891 265AA	1			EBD		All w/Out [8DE] Japan

DODGE - PLYMOUTH - CHRYSLER NEON (PL)  
 SERIES LINE BODY ENGINE TRANSMISSION  
 L=Low Line Z=RHD 41 = 4 Door, 104.0WB ECB =2.0L 4 Cyl. SOHC DD5 = 5 Speed Manual  
 H=High Line D= Dodge EBD = 1.8L 4Cyl SOHC DGC = 3 Speed Automatic  
 P= Plymouth DBB = All Manual

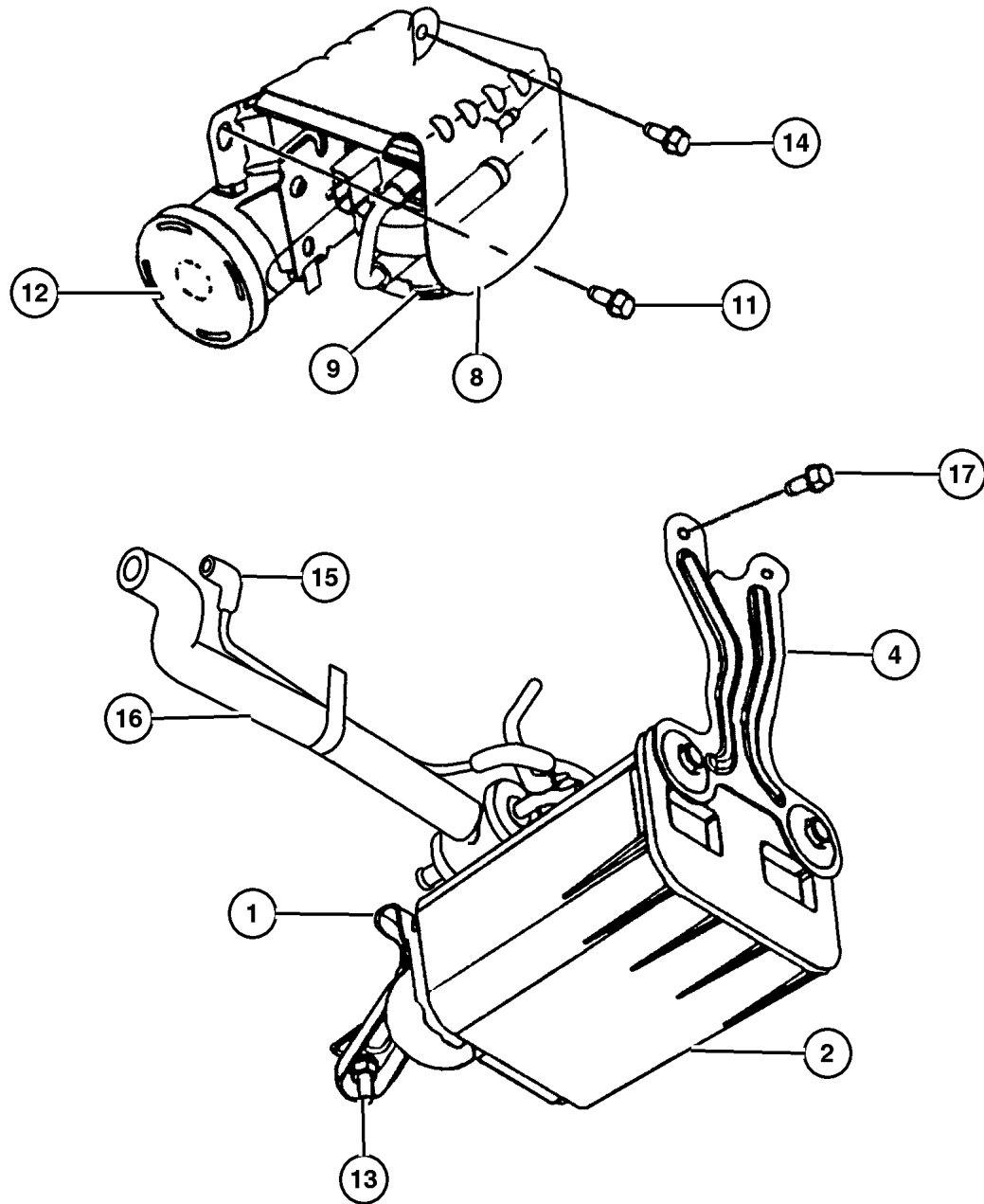
AR = Use as required - = Non illustrated part # = New this model year

May 3, 2002

1



## Vapor Canister and Leak Detection Pump Figure 025-301



ITEM	PART NUMBER	QTY	LINE	BODY	ENGINE	TRANS	DESCRIPTION
NOTE: Sales Codes n key.							
[EBD]=1.8L Engine. n key.							
[ECB]=2.0L SOHC Engine. n key.							
1	#4891 024AA	1			EBD, ECB		BRACKET, Vapor Canister, Top
2	#4669 869	1			EBD, ECB		CANISTER, Vapor
-3	6035 155	4					SCREW, Hex Head, .25-14x.875
4	#4891 394AA	1			EBD ECB		BRACKET, Vapor Canister Lower
-5	6100 048	2		42			NUT, Hex, M6x1.00
-6	6503 951	2			ECB		STUD, M6X1.00X.250-14X30.00
-7	4695 872	1			EBD, ECB		CAP, Vent Tube
8	#4891 049AB	1					BRACKET, Vent Valve Filter Mtg.
9	#4891 046AB	1					PUMP, Leak Detection
-10	#4891 048AC	1					HOSE, Leak Detection Pump to Filter, To Filter
11	6506 203AA	4					SCREW, Hex Head
12	4612 901	1					FILTER, Leak Detection Pump
13	6101 695	1			EBD, ECB		NUT, Hex Flange Lock, M8x1.25
14	6102 132AA	1			EBD, ECB		SCREW, Hex Head, M6x1x20
15	#4891 060AC	1			ECB		HARNESS, Vacuum, Leak Detection Pump
16	#4891 047AC	1			ECB		HOSE, Leak Detection Pump to Canister, To Canister
17	6101 976	2			EBD, ECB		SCREW, Hex Flange Head, M6.3x1.81x16

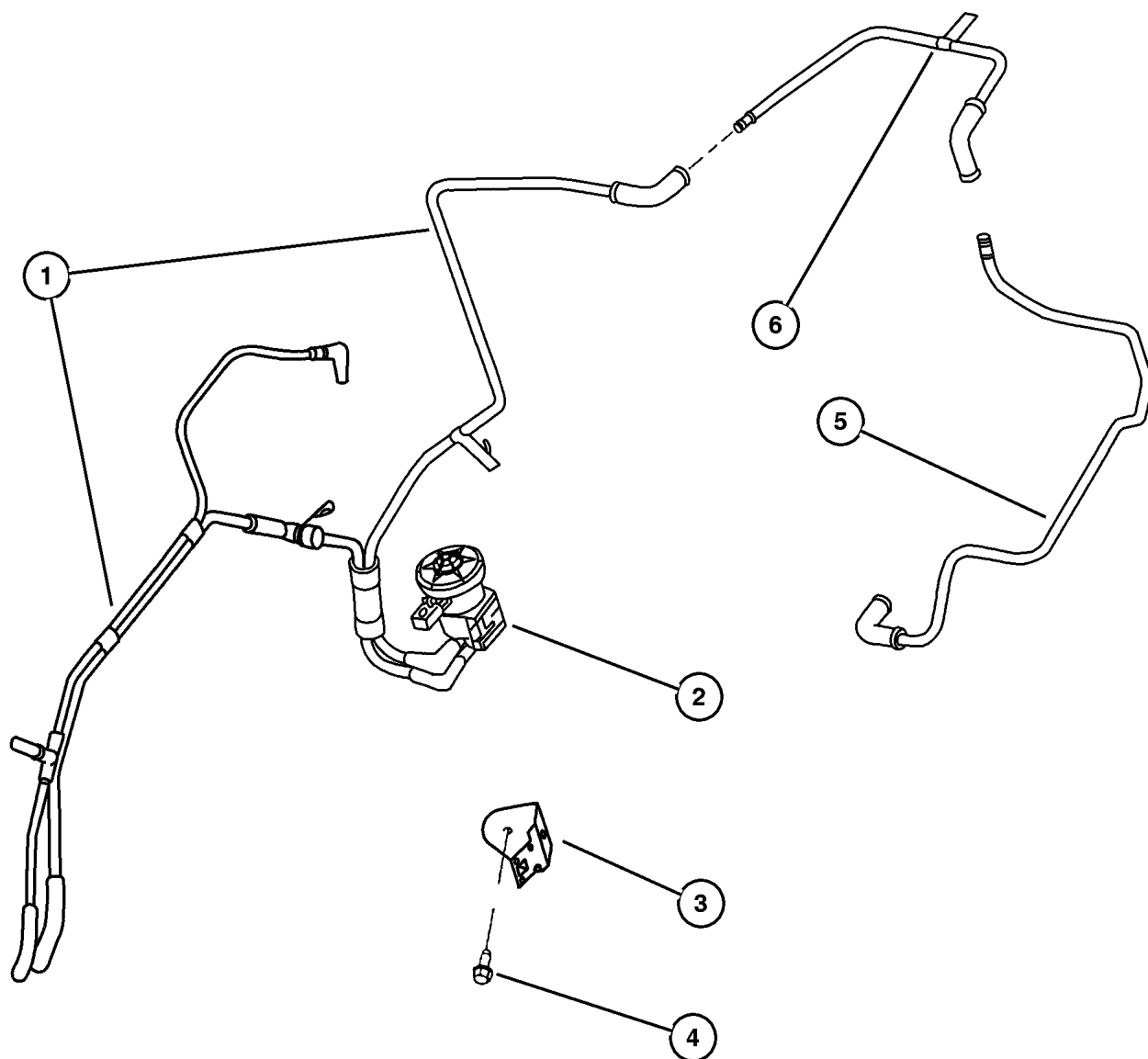
### DODGE - PLYMOUTH - CHRYSLER NEON (PL)

SERIES	LINE	BODY	ENGINE	TRANSMISSION
L=Low Line H=High Line	Z= RHD D= Dodge D= Chrysler P= Plymouth	41 = 4 Door, 104.0WB	ECB =2.0L 4 Cyl. SOHC EBD = 1.8L 4Cyl SOHC	DD5 = 5 Speed Manual DGC = 3 Speed Automatic DG0 = All Automatic DBB = All Manual

AR = Use as required - = Non illustrated part # = New this model year

May 3, 2002

**Emission Control Vacuum Harness PL  
Figure 025-401**



ITEM	PART NUMBER	QTY	LINE	BODY	ENGINE	TRANS	DESCRIPTION
NOTE: Sales Codes n key.							
[EBD]=1.8L SOHC Engine n key.							
[ECB]=2.0L SOHC Engine, n key.							
1	#4891 298AA	1					HARNESS, Vapor Purge Domestic and Tiawan
	#4891 300AC	1	Z		EBD, ECB		Right Hand Drive
	#4891 303AC	1	D, P		EBD, ECB		Export (Exclude Tiawan)
2	4669 569	1					SOLENOID, Linear Purge
3	#4891 044AB	1			EBD, ECB		BRACKET, Proportional Purge Solenoid
4	6101 777	1			EBD, ECB		SCREW, Hex Flange Head Tapping, M6x1.00x20.00
5	#4891 077AE	1			EBD, ECB		HARNESS, Proportional Purge Solenoid
6	#4891 455AB	1			EBD, ECB		HARNESS, Proportional Purge Solenoid

**DODGE - PLYMOUTH - CHRYSLER NEON (PL)**

SERIES	LINE	BODY	ENGINE	TRANSMISSION
L=Low Line	Z= RHD	41 = 4 Door, 104.0WB	ECB =2.0L 4 Cyl. SOHC	DD5 = 5 Speed Manual
H=High Line	D= Dodge		EBD = 1.8L 4Cyl SOHC	DGC = 3 Speed Automatic
	D= Chrysler			DG0 = All Automatic
	P= Plymouth			DBB = All Manual

AR = Use as required - = Non illustrated part # = New this model year

May 3, 2002

# Group – DPL

## Doors and Related Parts

### GROUP DPL - Doors and Related Parts

Illustration Title

Group-Fig. No.

#### Front Door

Door, Front Shell and Hinges ..... Fig. DPL-105

Door, Front Regulator, Glass, Handle and Locking ..... Fig. DPL-107

#### Rear Door

Door, Rear Shell and Hinges ..... Fig. DPL-205

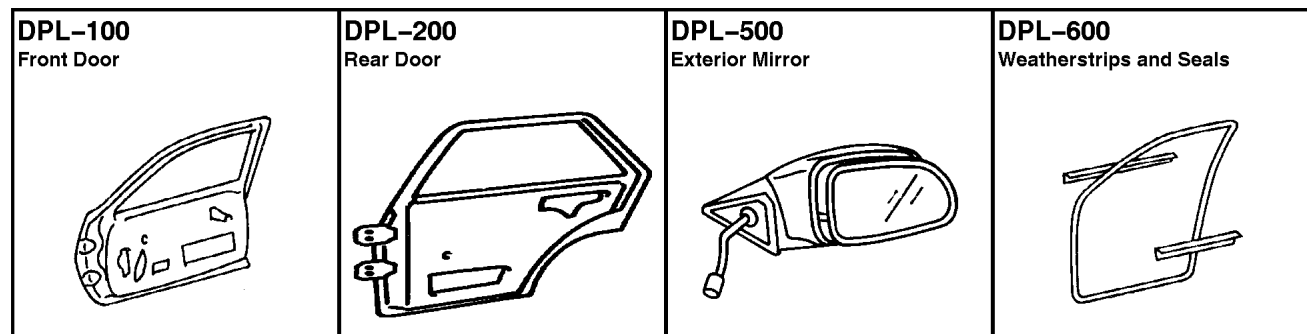
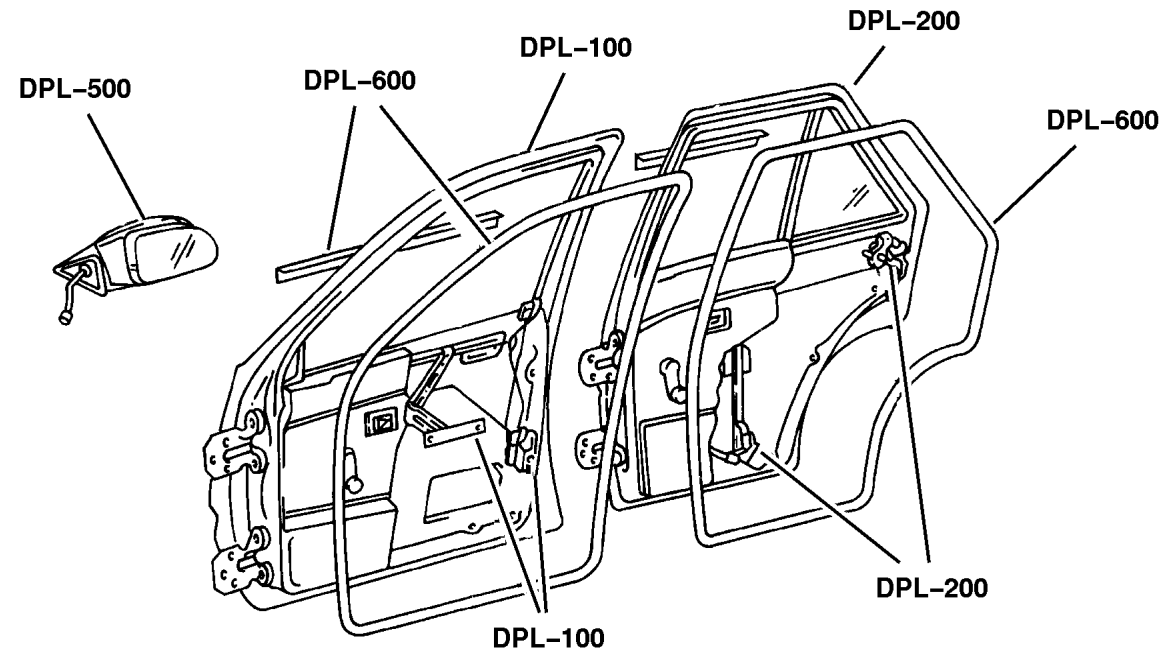
Door, Rear Regulator, Glass, Handle and Locking ..... Fig. DPL-207

#### Exterior Mirror

Mirror, Exterior ..... Fig. DPL-505

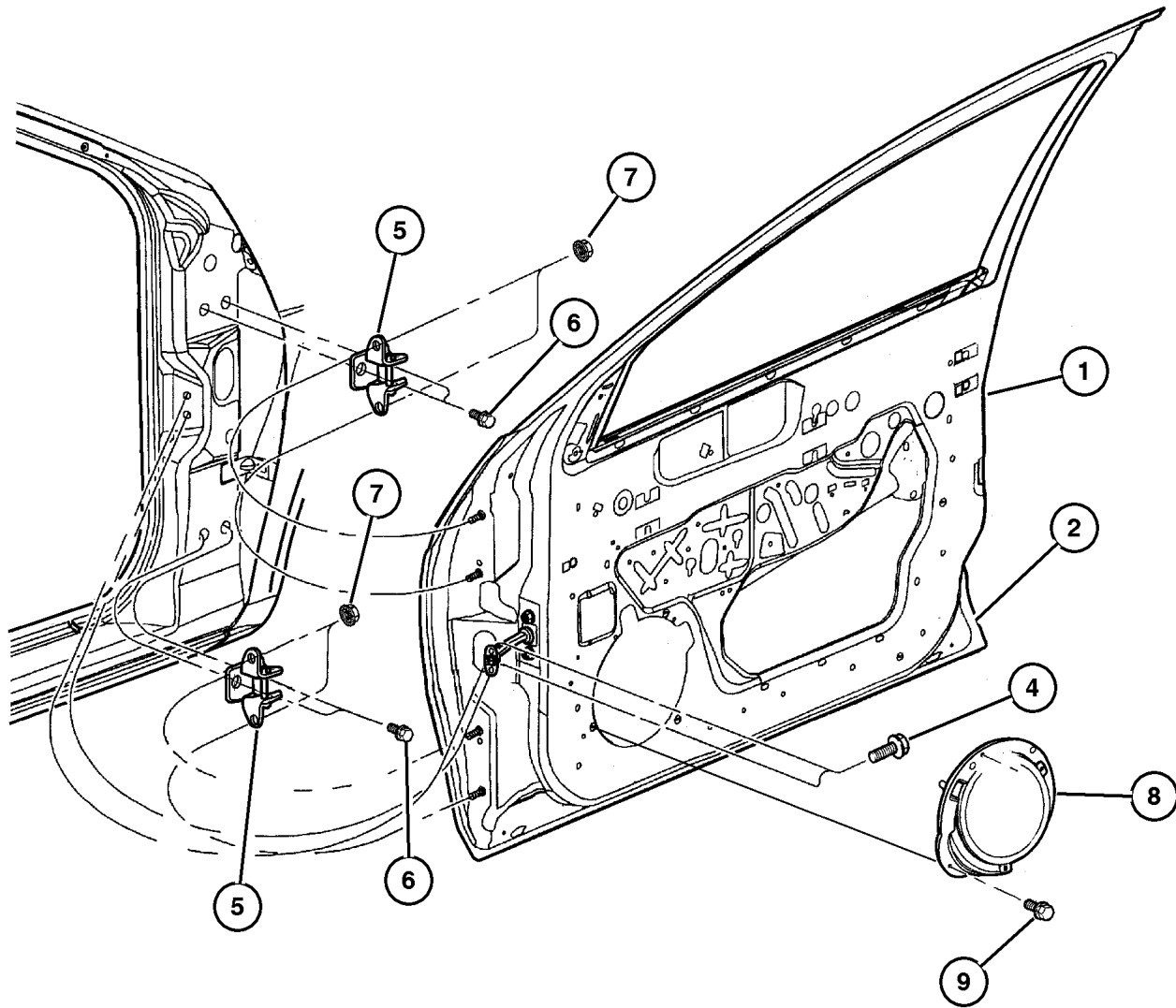
#### Weatherstrips and Seals

Door, Front and Rear ..... Fig. DPL-605



## Door, Front Shell and Hinges Figure DPL-105

ITEM	PART NUMBER	QTY	LINE	SERIES	BODY	DESCRIPTION
1						DOOR, Front
	#5012 460AB	1				Right
	#5012 461AB	1				Left
2						PANEL, Door Outer
	#4783 632	1				Right
	#4783 633	1				Left
-3						SPACER, Door Impact Blocker
	#5008 334AA	1				Right
	#5008 335AA	1				Left
4						SCREW, M6 x 1.00 x 25.00, (NOT SERVICED)
5						HINGE, Front Door
	#4783 646AB	2				Lower Left,Upper Right
	#4783 648AB	2				Upper Left,Lower Right
6	#6505 082AA	8				SCREW AND WASHER, Hex Head, M8x1.25x54, Hinge Attaching
7	#6505 591AA	16				NUT & WASHER, M8x1.25, Hinge Attaching
8						SPEAKER, Front Door
	#4794 030AA	1				Right
	#4794 031AA	1				Left
9	6032 723	4				SCREW, Self Tapping, M4.2x1.69x19.05
-10	5256 594	1				LABEL, Lift Point
-11						LABEL, Child Protection Lock, English
	4396 978	2				Window
	4490 361	2				French, Window
	4615 722AB	2				Door
	4615 723	2				French, Door



**DODGE - PLYMOUTH - CHRYSLER NEON (PL)**

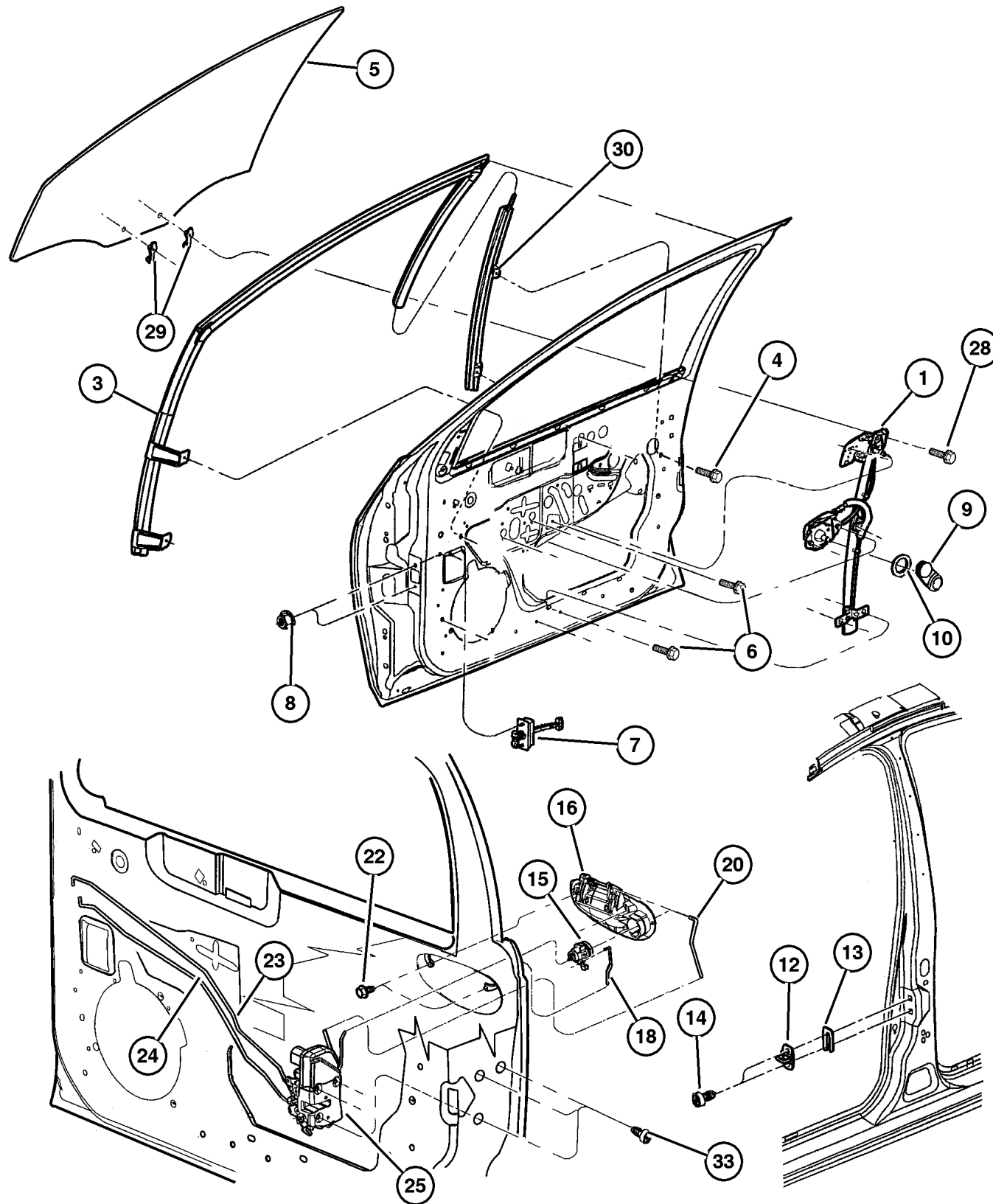
SERIES	LINE	BODY	ENGINE	TRANSMISSION
L=Low Line	Z= RHD	41 = 4 Door, 104.0WB	ECB =2.0L 4 Cyl. SOHC	DD5 = 5 Speed Manual
H=High Line	D= Dodge		EBD = 1.8L 4Cyl SOHC	DGC = 3 Speed Automatic
	D= Chrysler			DG0 = All Automatic
	P= Plymouth			DBB = All Manual

AR = Use as required   - = Non illustrated part   # = New this model year

May 3, 2002



**Door, Front Regulator, Glass, Handle and Locking**  
**Figure DPL-107**



ITEM	PART NUMBER	QTY	LINE	SERIES	BODY	DESCRIPTION
1						REGULATOR, Front Door Window
	#5008 038AA	1				Manual, Right
	#5008 039AA	1				Manual, Left
	#5015 216AA	1				Power (w/o Motor), Right
	#5015 217AA	1				Power (w/o Motor), Left
-2						MOTOR, Window Regulator
	#5015 218AA	1				Right
	#5015 219AA	1				Left
3						WEATHERSTRIP, Front Door Glass Run
	#4783 684AH	1				Up to 4-7-2000, Right
	#4783 685AH	1				Up to 4-7-2000, Left
	#5008 576AA	1				After 4-7-2000, Right
	#5008 577AA	1				After 4-7-2000, Left
4	#6505 422AA	4				SCREW AND WASHER, Hex Head, M6x1x20, Glass Run
5						GLASS, Front Door
	#5008 114AA	1				Right
	#5008 115AA	1				Left
6	#6505 298AA	6				SCREW AND WASHER, Hex Head, M6x1x18, Regulator Attaching
7						CHECK, Front Door
	#4783 590	1				Right
	#4783 591	1				Left
8	6503 504	4				NUT AND WASHER, Hex, M6x1
9						HANDLE, Window Regulator
	FW80 TAZ	2				Agate
	FW80 WL5	2				Taupe
10						SPACER, Window Regulator
	GY80 TAZ	2				Agate
	GY80 WL5	2				Taupe
-11						BEZEL, Power Window Switch
	#QQ32 LAZAB	1	D, P			[AZ], Right
	#QQ32 WL5AB	1	D, P			[L5], Right
	#QQ39 LAZAB	1	D, P			Power Mirror, [AZ], Left
	#QQ39 WL5AB	1	D, P			Power Mirror, [L5], Left
	#QQ40 LAZAB	1	Z			Power Mirror, [AZ], Left
	#QQ40 WL5AB	1	Z			Power Mirror, [L5], Left
	#QQ49 LAZAB	1	Z			[AZ], Right
	#QQ49 WL5AB	1	Z			[L5], Right
12	4780 259	2				STRIKER, Door
13	4520 289	AR				SPACER, Door Latch Striker
14	6503 120	4				SCREW AND WASHER, Button Head Torx, Striker Attaching
15	5011 040AA	1				CYLINDER, Door Lock
16						HANDLE, Front Door Exterior

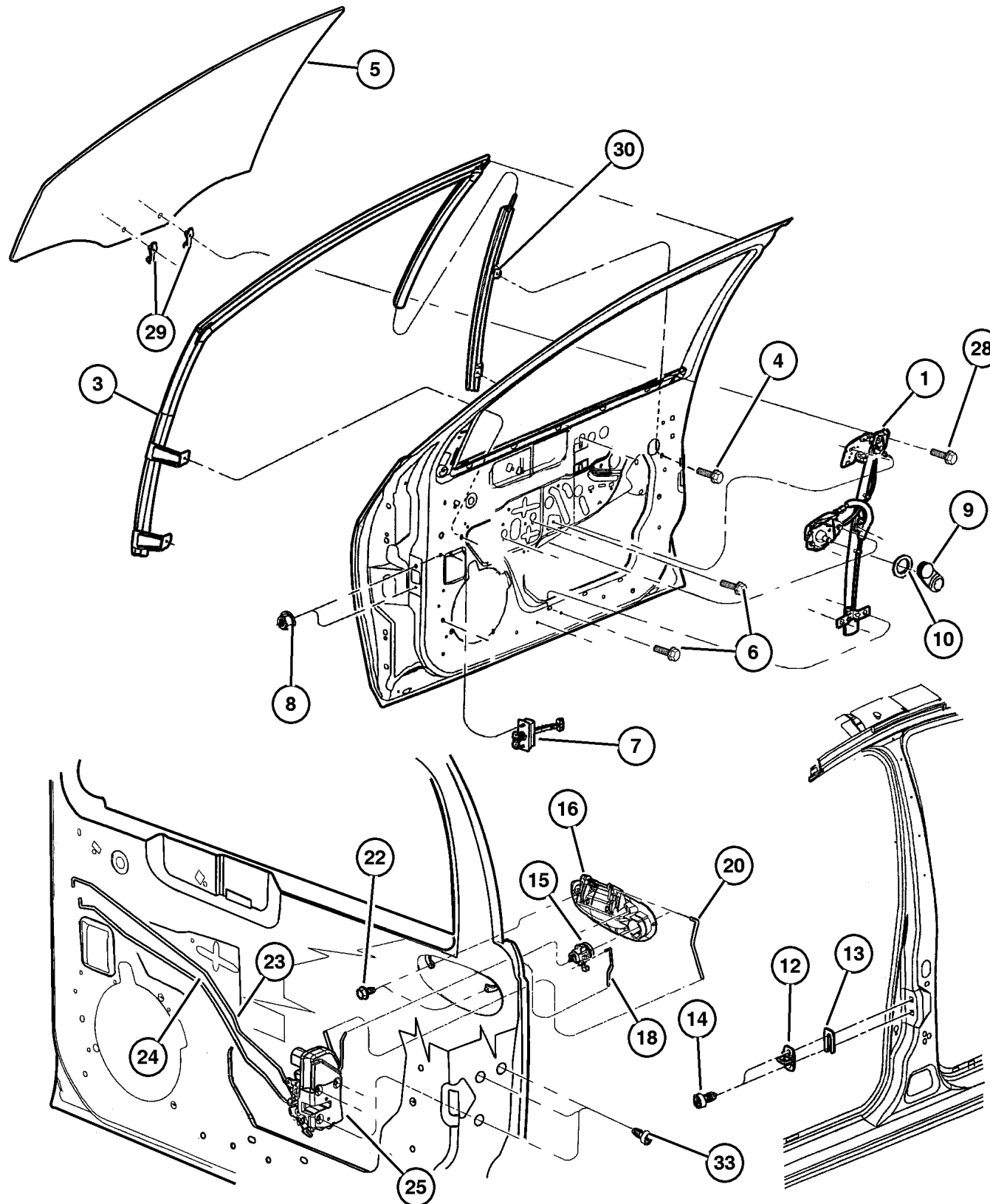
**DODGE - PLYMOUTH - CHRYSLER NEON (PL)**

SERIES	LINE	BODY	ENGINE	TRANSMISSION
L=Low Line	Z= RHD	41 = 4 Door, 104.0WB	ECB =2.0L 4 Cyl. SOHC	DD5 = 5 Speed Manual
H=High Line	D= Dodge		EBD = 1.8L 4Cyl SOHC	DGC = 3 Speed Automatic
	D= Chrysler			DG0 = All Automatic
	P= Plymouth			DBB = All Manual

AR = Use as required - = Non illustrated part # = New this model year

May 3, 2002

**Door, Front Regulator, Glass, Handle and Locking  
Figure DPL-107**



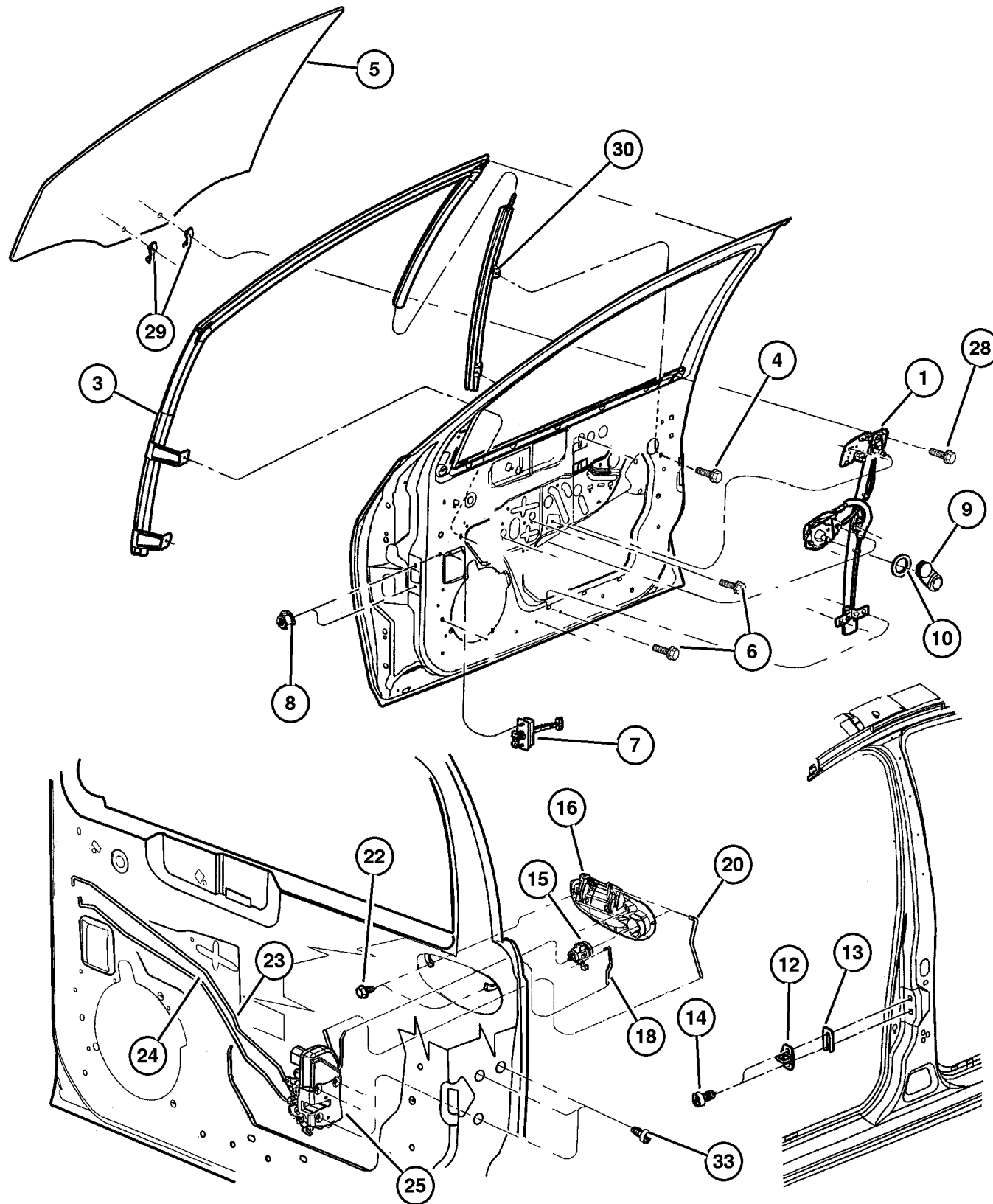
ITEM	PART NUMBER	QTY	LINE	SERIES	BODY	DESCRIPTION
	#QA38 DX8AB	1				[X8], Right
	#QA39 DX8AB	1				[X8], Left
	#QA38 GW7AB	1				[W7], Right
	#QA39 GW7AB	1				[W7], Left
	#QA38 PR4AB	1				[R4], Right
	#QA39 PR4AB	1				[R4], Left
	#QA38 SG8AB	1				[G8], Right
	#QA39 SG8AB	1				[G8], Left
	#QA38 TCNAB	1				[CN], Right
	#QA39 TCNAB	1				[CN], Left
	#QA38 VLBAB	1				[LB], Right
	#QA39 VLBAB	1				[LB], Left
	#QA38 VMTAB	1				[MT], Right
	#QA39 VMTAB	1				[MT], Left
	#QA38 WB7AB	1				[B7], Right
	#QA39 WB7AB	1				[B7], Left
	#QA38 WE5AB	1				[E5], Right
	#QA39 WE5AB	1				[E5], Left
	#QA38 WS2AB	1				[S2], Right
	#QA39 WS2AB	1				[S2], Left
-17						HANDLE, Inside Remote Control
	#QH46 LAZ	1				[AZ] - Black Handle, Right
	#QH47 LAZ	1				[AZ] - Black Handle, Left
	#QH46 WL5	1				[L5] - Black Handle, Right
	#QH47 WL5	1				[L5] - Black Handle, Left
	#SH96 LAZAA	1				[AZ] - Chrome Handle, Right
	#SH97 LAZAA	1				[AZ] - Chrome Handle, Left
	#SH96 WL5AA	1				[L5] - Chrome Handle, Right
	#SH97 WL5AA	1				[L5] - Chrome Handle, Left
18						LINK, Key Cylinder To Latch
	#4783 570	1				Right
	#4783 571	1				Left
-19						CLIP, Latch
	4658 444	1				Purple, Right
	4658 445	1				Orange, Left
20						LINK, Outside Handle To Latch, Front Door
	#4783 572	1				Right
	#4783 573	1				Left
-21						CLIP, Latch Link
	4658 674	1				Red, Right
	4658 675	1				Green, Left
22	6505 533AA	4				SCREW, Hex Flange Head Tapping, M4.8 x 1.59 x 14.00
23						LINK, Key Cylinder To Latch

**DODGE - PLYMOUTH - CHRYSLER NEON (PL)**  
 SERIES LINE BODY ENGINE TRANSMISSION  
 L=Low Line Z=RHD 41 = 4 Door, 104.0WB ECB =2.0L 4 Cyl. SOHC DD5 = 5 Speed Manual  
 H=High Line D= Dodge EBD = 1.8L 4Cyl SOHC DGC = 3 Speed Automatic  
 P= Plymouth DBB = All Manual

AR = Use as required - = Non illustrated part # = New this model year

May 3, 2002

**Door, Front Regulator, Glass, Handle and Locking**  
**Figure DPL-107**



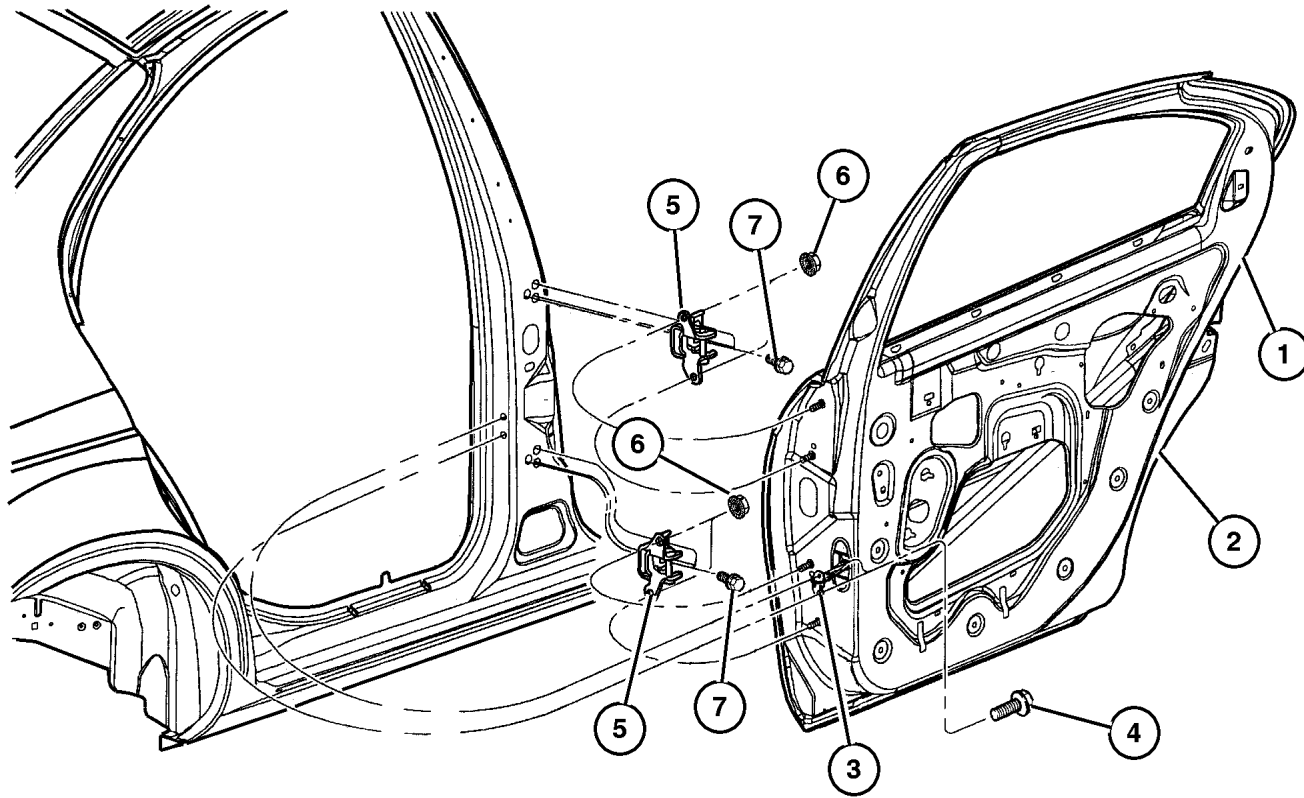
ITEM	PART NUMBER	QTY	LINE	SERIES	BODY	DESCRIPTION
	#4888 834AB	1				Right
	#4888 835AB	1				Left
24						LINK, Front Door Inside Remote Control to Latch
	#4783 518	1				Right
	#4783 519	1				Left
25						LATCH, Front Door
	#4783 574AB	1				Manual, Right
	#4783 575AB	1				Manual, Left
	#4783 592AB	1				Power, Right
	#4783 593AB	1				Power, Left
-26	6033 876	6				SCREW, Tapping, M6.3x1.8x38.1, Latch to Door Inner Panel
-27	6503 968	6				NUT AND WASHER, Hex, M6x1, Regulator Motor Attaching
28	#6505 518AA	4				SCREW TAPPING & WASHER, Hex Head, M6.3 x 2.54 x 20.00
29	#5008 055AA	4				RETAINER, Glass to Liftplate
30						WEATHERSTRIP, Front Door Glass Run
	#5257 962AA	1				Right
	#5257 963AA	1				Left
-31	#6505 591AA	16				NUT & WASHER, M8x1.25, Weatherstrip
-32	6032 723	4				SCREW, Self Tapping, M4.2x1.69x19.05, Inside Remote Mounting, Inside Remote Mounting
33	6033 876	6				SCREW, Tapping, M6.3x1.8x38.1

**DODGE - PLYMOUTH - CHRYSLER NEON (PL)**  
 SERIES LINE BODY ENGINE TRANSMISSION  
 L=Low Line Z=RHD 41 = 4 Door, 104.0WB ECB =2.0L 4 Cyl. SOHC DD5 = 5 Speed Manual  
 H=High Line D= Dodge EBD = 1.8L 4Cyl SOHC DGC = 3 Speed Automatic  
 P= Plymouth DG0 = All Automatic  
 DBB = All Manual

AR = Use as required - = Non illustrated part # = New this model year

**Door, Rear Shell and Hinges  
Figure DPL-205**

ITEM	PART NUMBER	QTY	LINE	SERIES	BODY	DESCRIPTION
1						DOOR, Rear
	#5012 462AB	1				Right
	#5012 463AB	1				Left
2						PANEL, Door Outer
	#4783 628	1				Right
	#4783 629	1				Left
3						CHECK, Rear Door
	#4783 516	1				Right
	#4783 517	1				Left
4						SCREW, M6X1.00X25.00~~, (NOT SERVICED)
5						HINGE, Rear Door
	#4783 788AB	2				Upper Right,Lower Left
	#4783 806AB	2				Lower Right,Upper Left
6	#6505 591AA	16				NUT & WASHER, M8x1.25, Hinge Attaching
7	#6505 082AA	8				SCREW AND WASHER, Hex Head, M8x1.25x54, Hinge Attaching
-8						LABEL, Child Protection Lock, English
	4396 978	2				Window
	4490 361	2				French, Window
	4615 722AB	2				Door
	4615 723	2				French, Door



**DODGE - PLYMOUTH - CHRYSLER NEON (PL)**

SERIES	LINE	BODY	ENGINE	TRANSMISSION
L=Low Line	Z= RHD	41 = 4 Door, 104.0WB	ECB =2.0L 4 Cyl. SOHC	DD5 = 5 Speed Manual
H=High Line	D= Dodge		EBD = 1.8L 4Cyl SOHC	DGC = 3 Speed Automatic
	D= Chrysler			DG0 = All Automatic
	P= Plymouth			DBB = All Manual

AR = Use as required - = Non illustrated part # = New this model year

May 3, 2002

**Door, Rear Regulator, Glass, Handle and Locking**  
**Figure DPL-207**

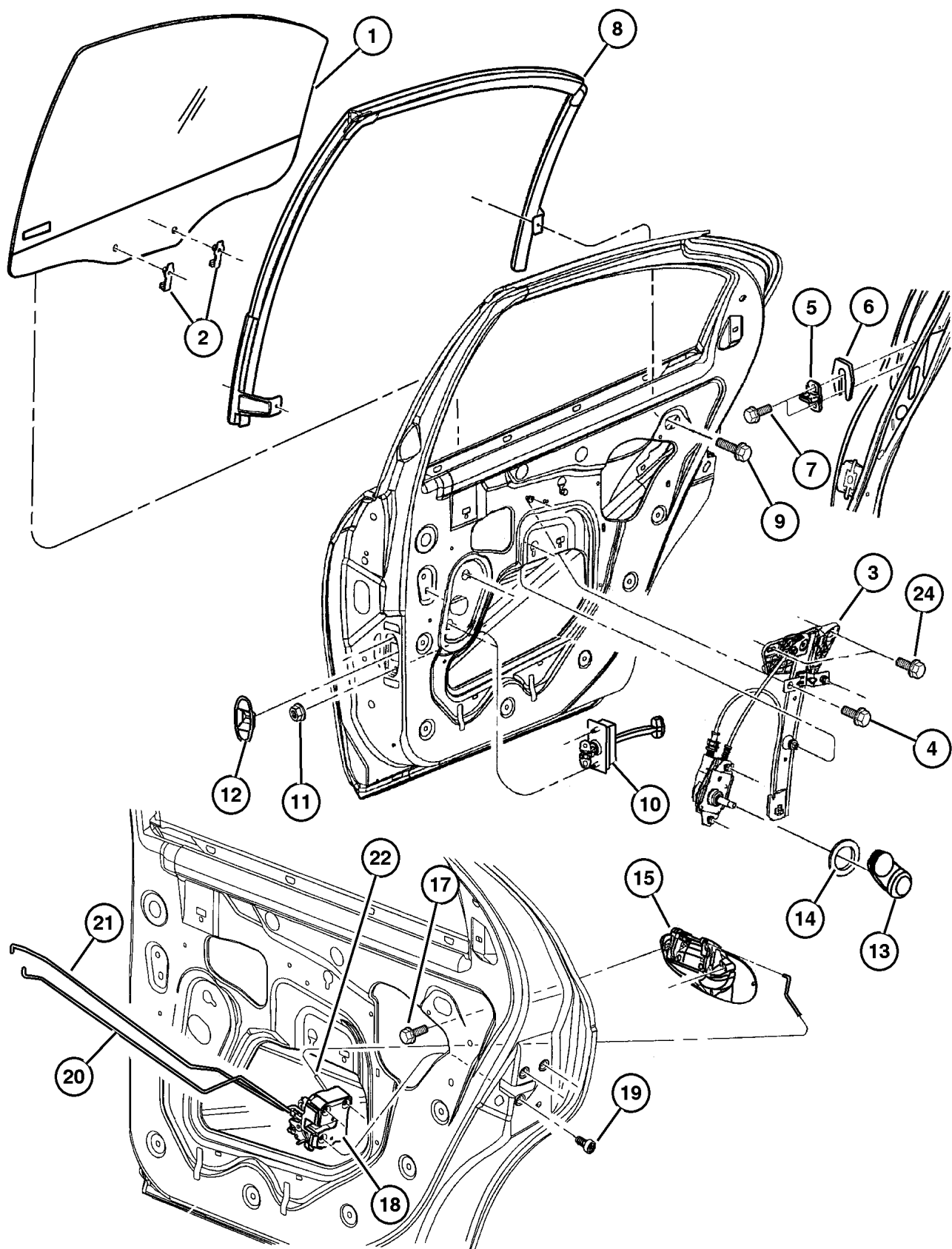
ITEM	PART NUMBER	QTY	LINE	SERIES	BODY	DESCRIPTION
1						GLASS, Rear Door
	#5008 116AA	1				Right
	#5008 117AA	1				Left
2	#5008 055AA	4				RETAINER, Glass to Liftplate
3						REGULATOR, Rear Door Window
	#5008 036AA	1				Right
	#5008 037AA	1				Left
4	#6505 298AA	6				SCREW AND WASHER, Hex Head, M6x1x18
5	4780 259	2				STRIKER, Door
6	4520 289	AR				SPACER, Door Latch Striker
7	6503 120	4				SCREW AND WASHER, Button Head Torx
8						WEATHERSTRIP, Rear Door Glass Run
	#4783 686AH	1				Up to 4-10-00, Right
	#4783 687AH	1				Up to 4-10-00, Left
	#5008 578AA	1				After 4-10-00, Right
	#5008 579AA	1				After 4-10-00, Left
9	#6505 422AA	4				SCREW AND WASHER, Hex Head, M6x1x20
10						CHECK, Rear Door
	#4783 516	1				Right
	#4783 517	1				Left
11	6503 504	4				NUT AND WASHER, Hex, M6x1
12	#4888 929AB	2				SEAL, B-Pillar, Check Strap
13						HANDLE, Window Regulator
	FW80 TAZ	2				Agate
	FW80 WL5	2				Taupe
14						SPACER, Window Regulator
	GY80 TAZ	2				Agate
	GY80 WL5	2				Taupe
15						HANDLE, Rear Door Exterior
	#QA50 DX8AB	1				[X8], Right
	#QA51 DX8AB	1				[X8], Left
	#QA50 GW7AB	1				[W7], Right
	#QA51 GW7AB	1				[W7], Left
	#QA50 PR4AB	1				[R4], Right
	#QA51 PR4AB	1				[R4], Left
	#QA50 SG8AB	1				[G8], Right
	#QA51 SG8AB	1				[G8], Left
	#QA50 TCNAB	1				[CN], Right
	#QA51 TCNAB	1				[CN], Left
	#QA50 VLBAB	1				[LB], Right
	#QA51 VLBAB	1				[LB], Left
	#QA50 VMTAB	1				[MT], Right
	#QA51 VMTAB	1				[MT], Left

**DODGE - PLYMOUTH - CHRYSLER NEON (PL)**

SERIES	LINE	BODY	ENGINE	TRANSMISSION
L=Low Line	Z= RHD	41 = 4 Door, 104.0WB	ECB =2.0L 4 Cyl. SOHC	DD5 = 5 Speed Manual
H=High Line	D= Dodge		EBD = 1.8L 4Cyl SOHC	DGC = 3 Speed Automatic
	D= Chrysler			DG0 = All Automatic
	P= Plymouth			DBB = All Manual

AR = Use as required - = Non illustrated part # = New this model year

May 3, 2002



**Door, Rear Regulator, Glass, Handle and Locking**  
**Figure DPL-207**

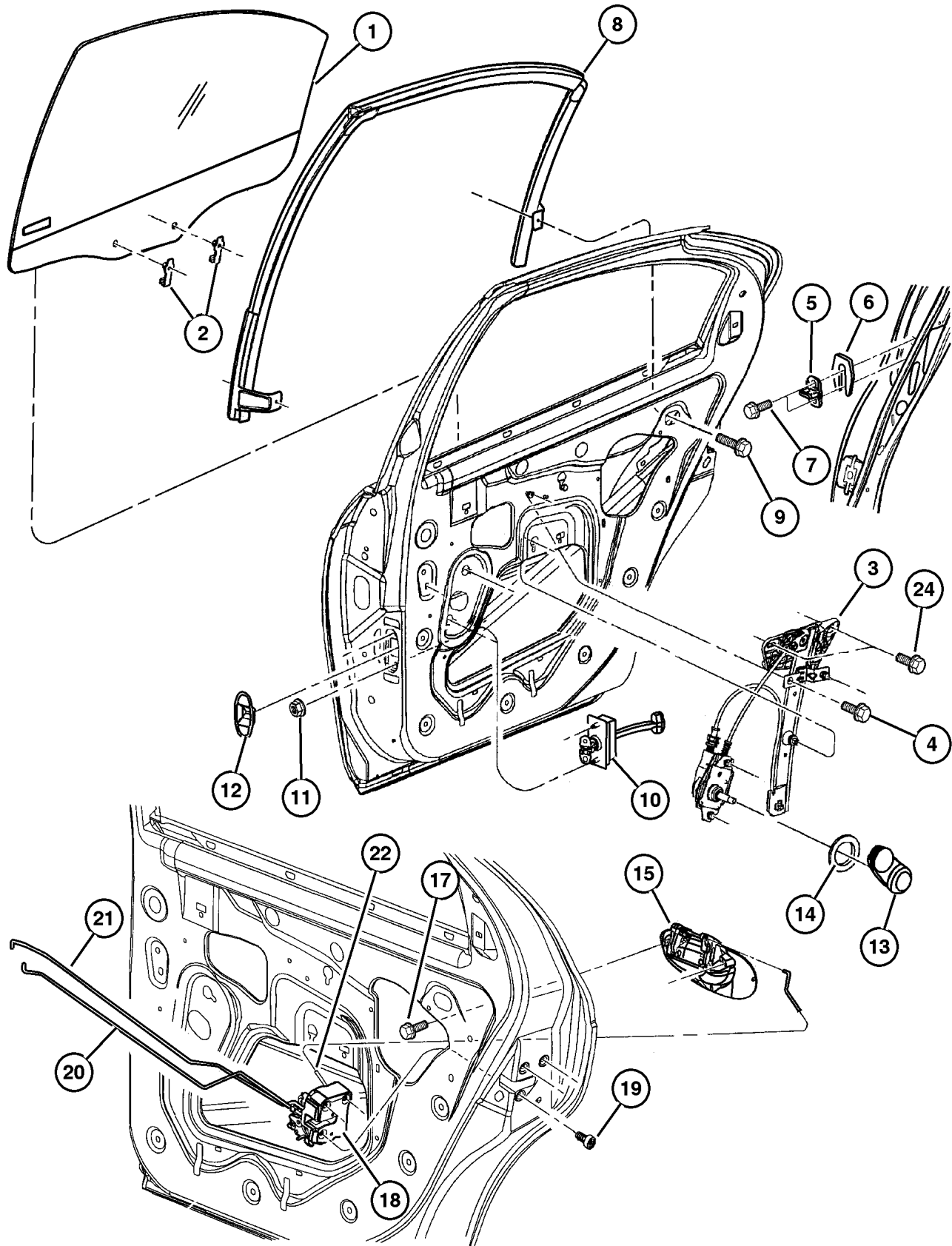
ITEM	PART NUMBER	QTY	LINE	SERIES	BODY	DESCRIPTION
	#QA50 WB7AB	1				[B7], Right
	#QA51 WB7AB	1				[B7], Left
	#QA50 WE5AB	1				[E5], Right
	#QA51 WE5AB	1				[E5], Left
	#QA50 WS2AB	1				[S2], Right
	#QA51 WS2AB	1				[S2], Left
-16						HANDLE, Inside Remote Control
	#QH46 LAZ	1				[AZ] - Black Handle, Right
	#QH47 LAZ	1				[AZ] - Black Handle, Left
	#QH46 WL5	1				[L5] - Black Handle, Right
	#QH47 WL5	1				[L5] - Black Handle, Left
	#SH96 LAZAA	1				[AZ] - Chrome Handle, Right
	#SH97 LAZAA	1				[AZ] - Chrome Handle, Left
	#SH96 WL5AA	1				[L5] - Chrome Handle, Right
	#SH97 WL5AA	1				[L5] - Chrome Handle, Left
17	6505 533AA	4				SCREW, Hex Flange Head Tapping, M4.8 x 1.59 x 14.00
18						LATCH, Rear Door
	#4783 540AB	1				Manual, Right
	#4783 541AB	1				Manual, Left
	#4783 594AB	1				Power, Right
	#4783 595AB	1				Power, Left
19	6033 876	6				SCREW, Tapping, M6.3x1.8x38.1
20						LINK, Inside handle To Latch, Rear Door
	#4783 528	1				Right
	#4783 529	1				Left
21						LINK, Latch Locking
	#4783 530	1				Right
	#4783 531	1				Left
22						LINK, Outside Handle To Latch, Rear Door
	#4783 526	1				Right
	#4783 527	1				Left
-23						CLIP, Latch
	4658 444	1				Purple
	4658 445	1				Orange
24	#6505 518AA	4				SCREW TAPPING & WASHER, Hex Head, M6.3 x 2.54 x 20.00
-25	6032 723	4				SCREW, Self Tapping, M4.2x1.69x19.05
-26	6035 837	4				NUT/SPRING, "U"1THD, For .164-15 Screw, Inside Remote Mounting
-27						CLIP, Latch Link, Door Lock
	4658 676	1				Right
	4658 677	1				Left

**DODGE - PLYMOUTH - CHRYSLER NEON (PL)**

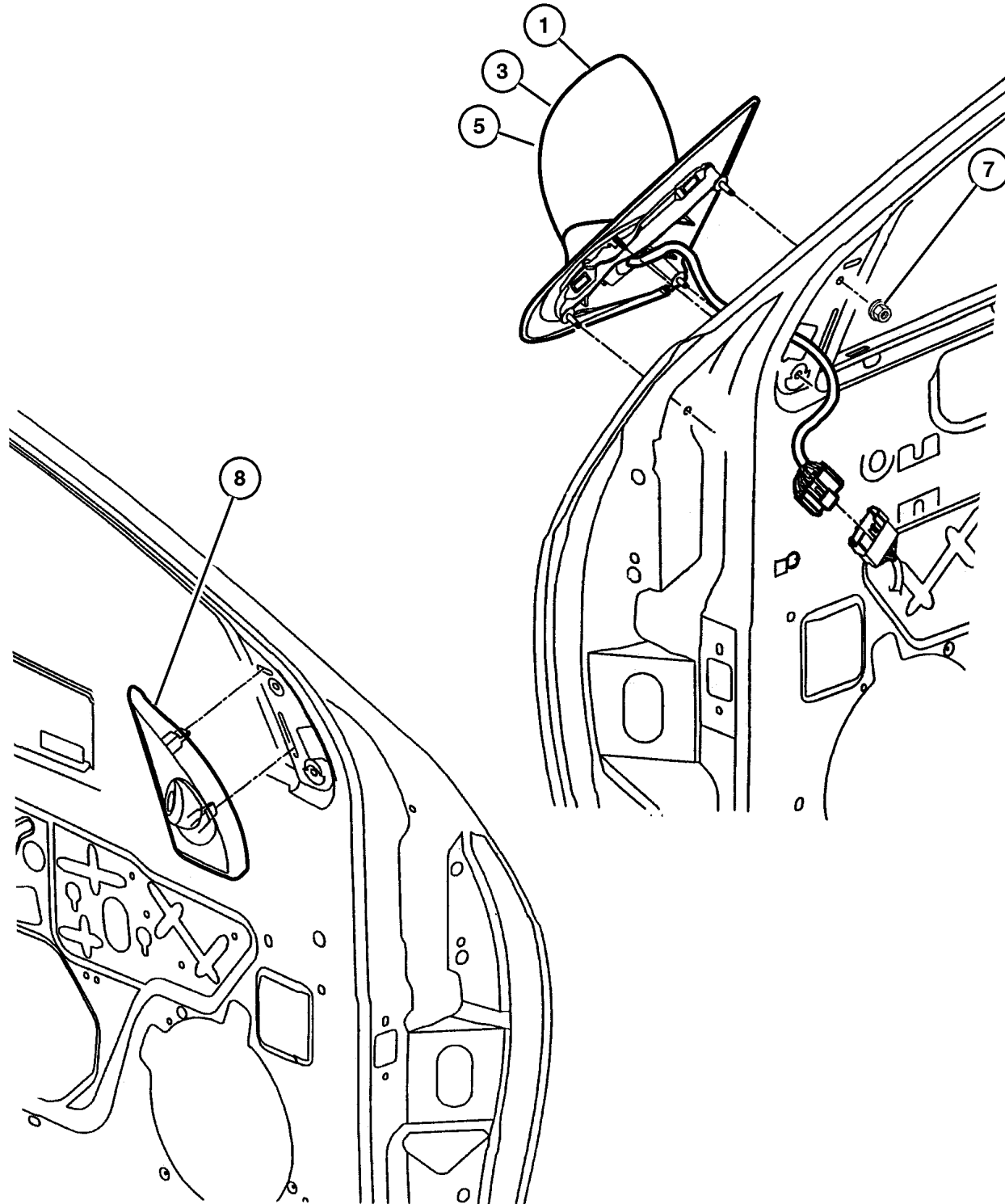
SERIES	LINE	BODY	ENGINE	TRANSMISSION
L=Low Line	Z= RHD	41 = 4 Door, 104.0WB	ECB =2.0L 4 Cyl. SOHC	DD5 = 5 Speed Manual
H=High Line	D= Dodge		EBD = 1.8L 4Cyl SOHC	DGC = 3 Speed Automatic
	D= Chrysler			DG0 = All Automatic
	P= Plymouth			DBB = All Manual

AR = Use as required - = Non illustrated part # = New this model year

May 3, 2002



## Mirror, Exterior Figure DPL-505



ITEM	PART NUMBER	QTY	LINE	SERIES	BODY	DESCRIPTION
NOTE: Sales Codes: n key.						
[GRE] = MIRROR - LEFT n key.						
[GRN] = MIRROR - LEFT POWER FOLD-AWAY n key.						
[GRS] = MIRROR - LEFT POWER HEATED FOLD AWAY n key.						
[GR5] = MIRROR -LEFT PWR HEATED RETRACTABLE n key.						
[GSN] = MIRROR - RIGHT POWER FOLD-AWAY n key.						
[GSS] = MIRROR - RIGHT PWR HEATED FOLD-AWAY n key.						
[GS5] = MIRROR - RIGHT PWR HEATED RETRACTABLE n key.						
[GZF] = MIRROR - RIGHT MANUAL n key.						
1						MIRROR, Outside Rearview
	#4783 560AD	1	D, P			[GZF], Right,Manual
	#4783 561AD	1	D, P			[GRE], Left,Manual
-2						GLASS, Mirror Replacement
	#5018 304AA	1	D, P			[GZF], Right,Manual
	#5018 305AA	1	D, P			[GRE], Left,Manual
3						MIRROR, Outside Rearview Electric Foldaway
	#4783 566AG	1	D, P			[GSS,GSN], Right
	#4783 567AG	1	D, P			[GRS,GRN], Left
	#4783 820AD	1	Z			[GS5], Right
	#4783 821AD	1	Z			[GR5], Left
-4						GLASS, Mirror Replacement
	#5018 306AA	1	D, P			[GSS,GSN], Right
	#5018 307AA	1	D, P			[GRS,GRN], Left
	#5018 308AA	1	Z			[GS5], Right
	#5018 309AA	1	Z			[GR5], Left
5	#4888 782AD	1	D, P			MIRROR, Outside Rearview Electric Foldaway, Arabic, [GSN], ARABIC
-6	#5018 297AA	1	D, P			GLASS, Mirror Replacement, [GSN], ARABIC
7	6101 443	6				NUT AND WASHER, Hex, M5x.80
8						BEZEL, Front Door Mirror
	#QA53 LAZAB	1	D, P			[GRE], Agate
	#QA53 WL5AB	1	D, P			[GRE], Taupe

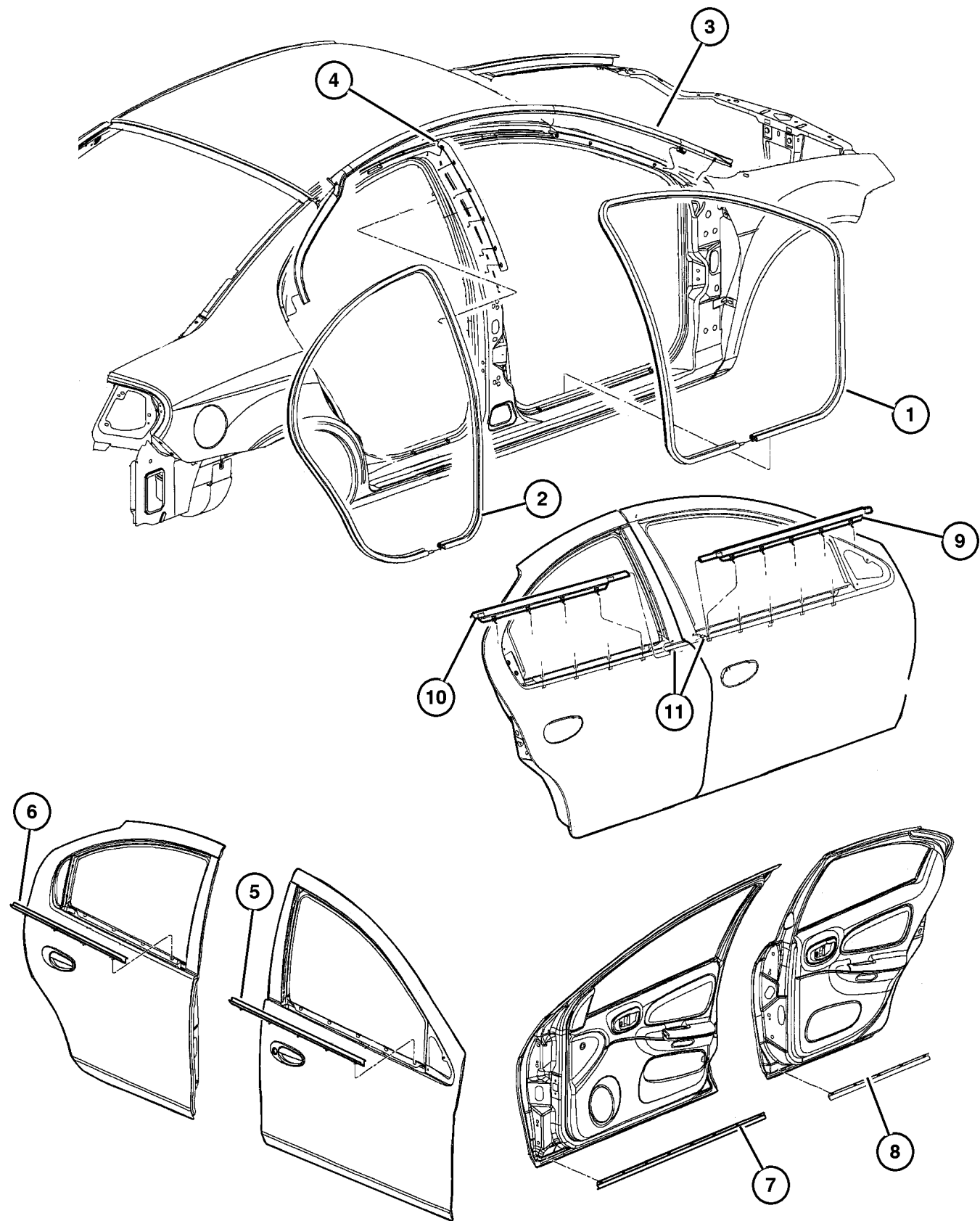
### DODGE - PLYMOUTH - CHRYSLER NEON (PL)

SERIES	LINE	BODY	ENGINE	TRANSMISSION
L=Low Line	Z= RHD	41 = 4 Door, 104.0WB	ECB =2.0L 4 Cyl. SOHC	DD5 = 5 Speed Manual
H=High Line	D= Dodge		EBD = 1.8L 4Cyl SOHC	DGC = 3 Speed Automatic
	D= Chrysler			DG0 = All Automatic
	P= Plymouth			DBB = All Manual

AR = Use as required - = Non illustrated part # = New this model year

May 3, 2002

Door, Front and Rear  
Figure DPL-605



ITEM	PART NUMBER	QTY	LINE	SERIES	BODY	DESCRIPTION
1						WEATHERSTRIP, Front Door Opening
	#SF98 LAZAA	2				Agate
	#SF98 WL5AA	2				Taupe
2						WEATHERSTRIP, Rear Door Opening
	#SG02 LAZAA	2				Agate
	#SG02 WL5AA	2				Taupe
3						WEATHERSTRIP, Door Upper Secondary
	#4783 664AB	1				Right
	#4783 665AB	1				Left
4						WEATHERSTRIP, Center Pillar
	#5008 296AA	1				Right
	#5008 297AA	1				Left
5						WEATHERSTRIP, Front Door Belt, Inner
	#4783 674	1				Right
	#4783 675	1				Left
6						WEATHERSTRIP, Rear Door Belt, Inner
	#4783 676	1				Right
	#4783 677	1				Left
7	#4783 666	2				WEATHERSTRIP, Sill Front Secondary
8	#4783 668	2				WEATHERSTRIP, Sill Rear Secondary
9						WEATHERSTRIP, Front Door Belt, Outer
	#5027 066AB	1				Right
	#5027 067AB	1				Left
10						WEATHERSTRIP, Rear Door Belt, Outer
	#5027 068AB	1				Right
	#5027 069AB	1				Left
11	#5008 339AA	4				CLIP, Weatherstrip

DODGE - PLYMOUTH - CHRYSLER NEON (PL)

SERIES	LINE	BODY	ENGINE	TRANSMISSION
L=Low Line	Z= RHD	41 = 4 Door, 104.0WB	ECB =2.0L 4 Cyl. SOHC	DD5 = 5 Speed Manual
H=High Line	D= Dodge		EBD = 1.8L 4Cyl SOHC	DGC = 3 Speed Automatic
	D= Chrysler			DG0 = All Automatic
	P= Plymouth			DBB = All Manual

AR = Use as required - = Non illustrated part # = New this model year

May 3, 2002



# Group – EPL

## Exterior Ornamentation

### GROUP EPL - Exterior Ornamentation

Illustration Title

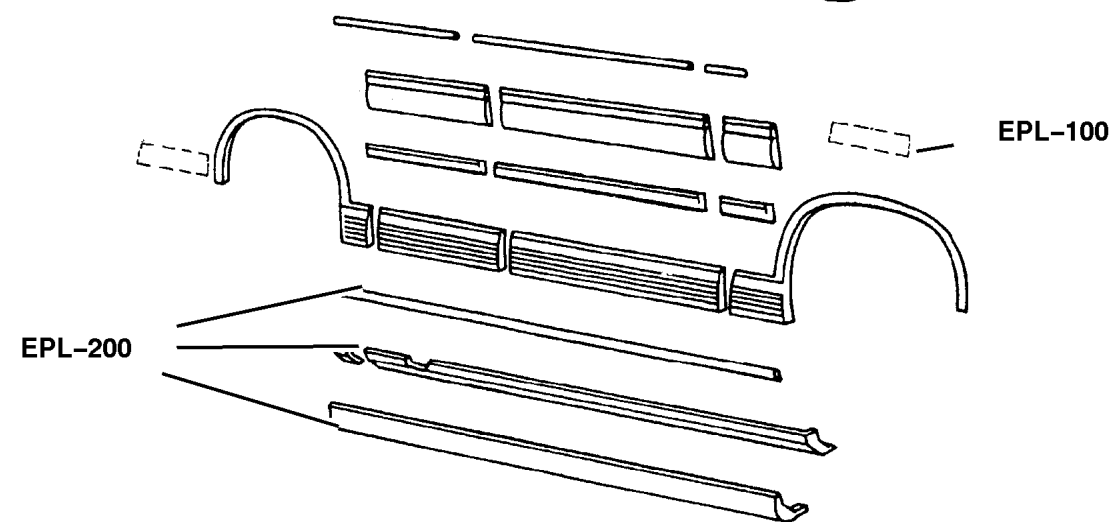
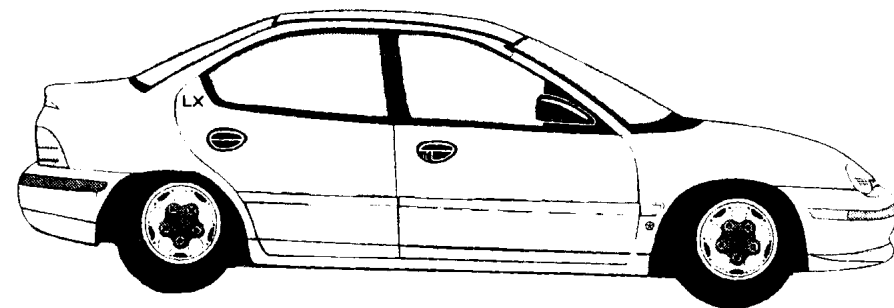
Group-Fig. No.


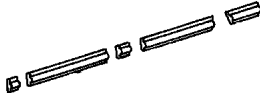
#### Nameplates

Nameplates ..... Fig. EPL-105

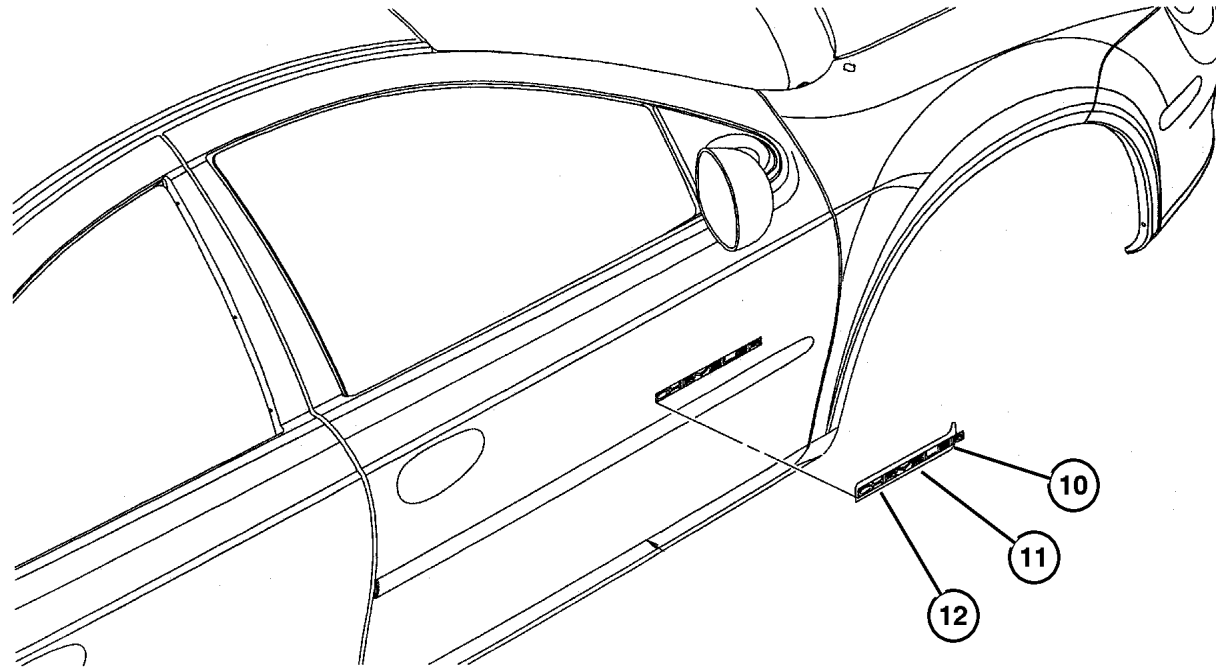
#### Moldings and Ornamentation

Moldings and Ornamentation ..... Fig. EPL-205

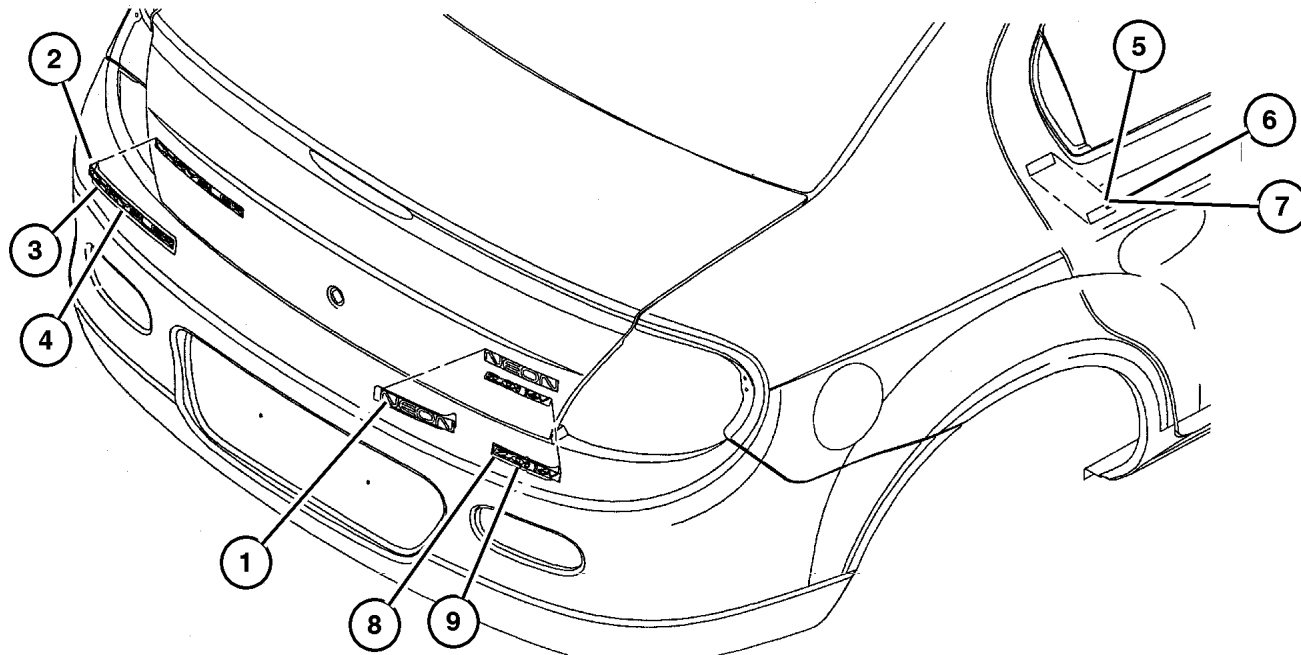


<p><b>EPL-100</b> Nameplates</p> 	<p><b>EPL-200</b> Moldings and Ornamentation</p> 		
--	--	--	--

## Nameplates Figure EPL-105



ITEM	PART NUMBER	QTY	LINE	SERIES	BODY	DESCRIPTION
1	#5288 948AA	1				NAMEPLATE, Neon
2	#5288 946AA	1				NAMEPLATE, Deck Lid, Dodge
3	#5288 947AA	1				NAMEPLATE, Plymouth
4	#5288 949AC	1				NAMEPLATE, Deck Lid, Chrysler, Decklid
5						NAMEPLATE, Rear Door, ES
	4814 973AA	2				ES
	5288 414	2				LE
6	5288 413	2				NAMEPLATE, SE
7	5288 415	2				NAMEPLATE, LX
8	#5288 849AA	1				NAMEPLATE, 2.0I 16V
9	#5288 856AB	1				NAMEPLATE, 1.8I 16V
10	#5288 945AA	2				NAMEPLATE, Front Door, Dodge
11	#5288 947AA	2				NAMEPLATE, Plymouth
12	#5288 949AC	1				NAMEPLATE, Deck Lid, Chrysler, Door



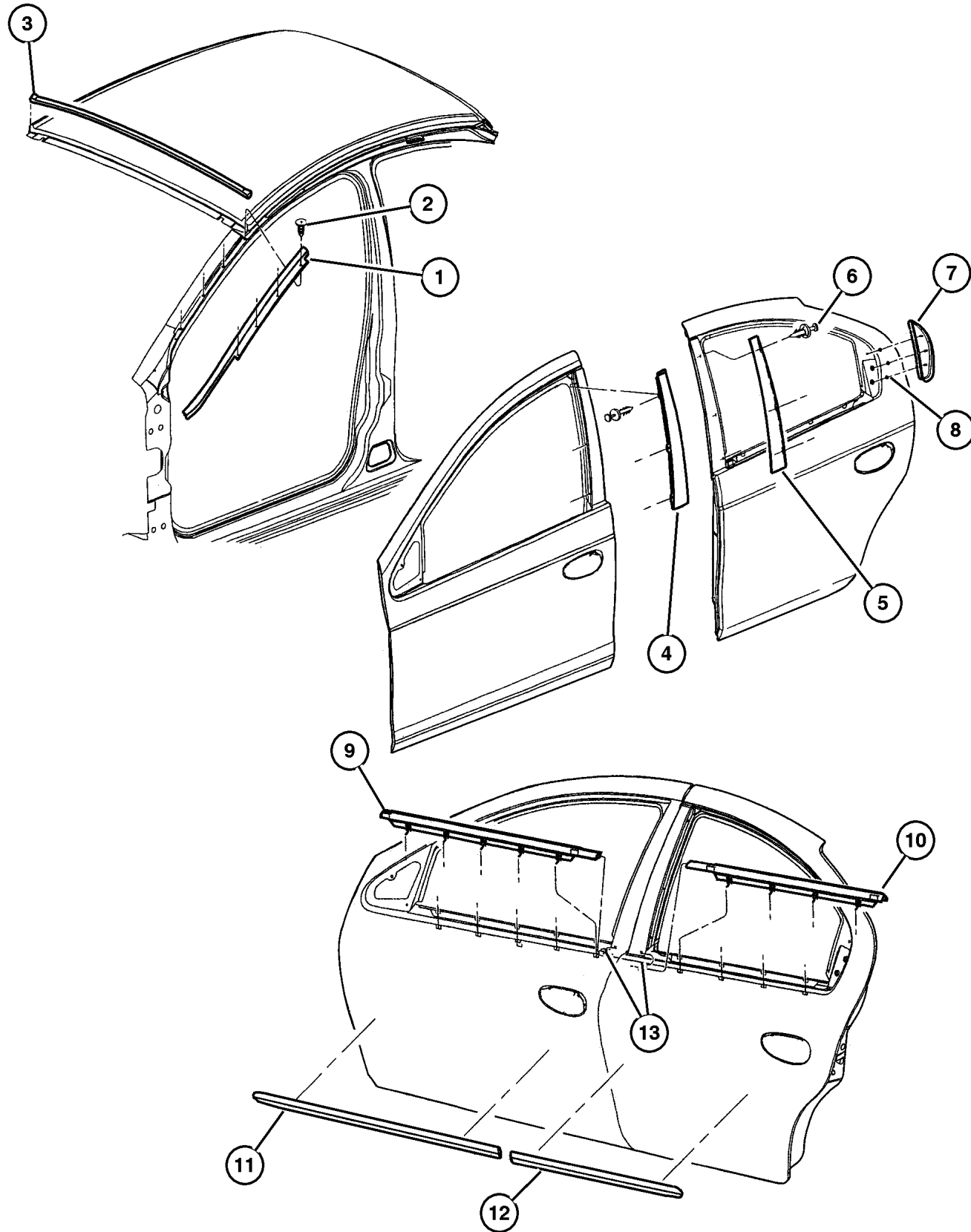
**DODGE - PLYMOUTH - CHRYSLER NEON (PL)**

SERIES	LINE	BODY	ENGINE	TRANSMISSION
L=Low Line	Z= RHD	41 = 4 Door, 104.0WB	ECB =2.0L 4 Cyl. SOHC	DD5 = 5 Speed Manual
H=High Line	D= Dodge		EBD = 1.8L 4Cyl SOHC	DGC = 3 Speed Automatic
	D= Chrysler			DG0 = All Automatic
	P= Plymouth			DBB = All Manual

AR = Use as required - = Non illustrated part # = New this model year

May 3, 2002

**Moldings and Ornamentation  
Figure EPL-205**



ITEM	PART NUMBER	QTY	LINE	SERIES	BODY	DESCRIPTION
1						MOLDING, A-PILLAR
	#5288 574AB	1				Right
	#5288 575AB	1				Left
2	0154 819	8				SCREW AND WASHER, Round Head, .164-15x.625
3	#5288 571	1				MOLDING, Windshield
4						APPLIQUE, B Pillar, Front
	#5288 576	1				Right
	#5288 577	1				Left
5						APPLIQUE, B Pillar, Rear
	#5288 578	1				Right
	#5288 579	1				Left
6	#6505 133AA	12				PIN, Push, M5 x 10.00
7						APPLIQUE, Rear Door
	#4888 606AB	1				Right
	#4888 607AB	1				Left
8	6004 512	6				CLIP, D Pillar Exhauster
9						WEATHERSTRIP, Front Door Belt, Front
	#5027 066AA	1				Right
	#5027 067AA	1				Left
10						WEATHERSTRIP, Rear Door Belt, Rear
	#5027 068AB	1				Right
	#5027 069AB	1				Left
11						MOLDING, Front Door
	#QK58 DX8	2				[K4X]
	#QK58 PR4	2				[K4R]
	#QK58 SG8	2				[K4F]
	#QK58 TCN	2				[K4A]
	#QK58 VMT	2				[K4K]
	#QK58 WB7	2				[K4D]
	#QK58 WE5	2				[K4M]
	#QT76 GW7AA	2				[K4W]
	#QT76 VLBA	2				[K4N]
	#QT76 WS2AA	2				[K4S]
12						MOLDING, Rear Door
	#QK60 DX8	2				[K4X]
	#QK60 PR4	2				[K4R]
	#QK60 SG8	2				[K4F]
	#QK60 TCN	2				[K4A]
	#QK60 VMT	2				[K4K]
	#QK60 WB7	2				[K4D]
	#QK60 WE5	2				[K4M]
	#QT74 GW7AA	2				[K4W]
	#QT74 VLBA	2				[K4N]

**DODGE - PLYMOUTH - CHRYSLER NEON (PL)**

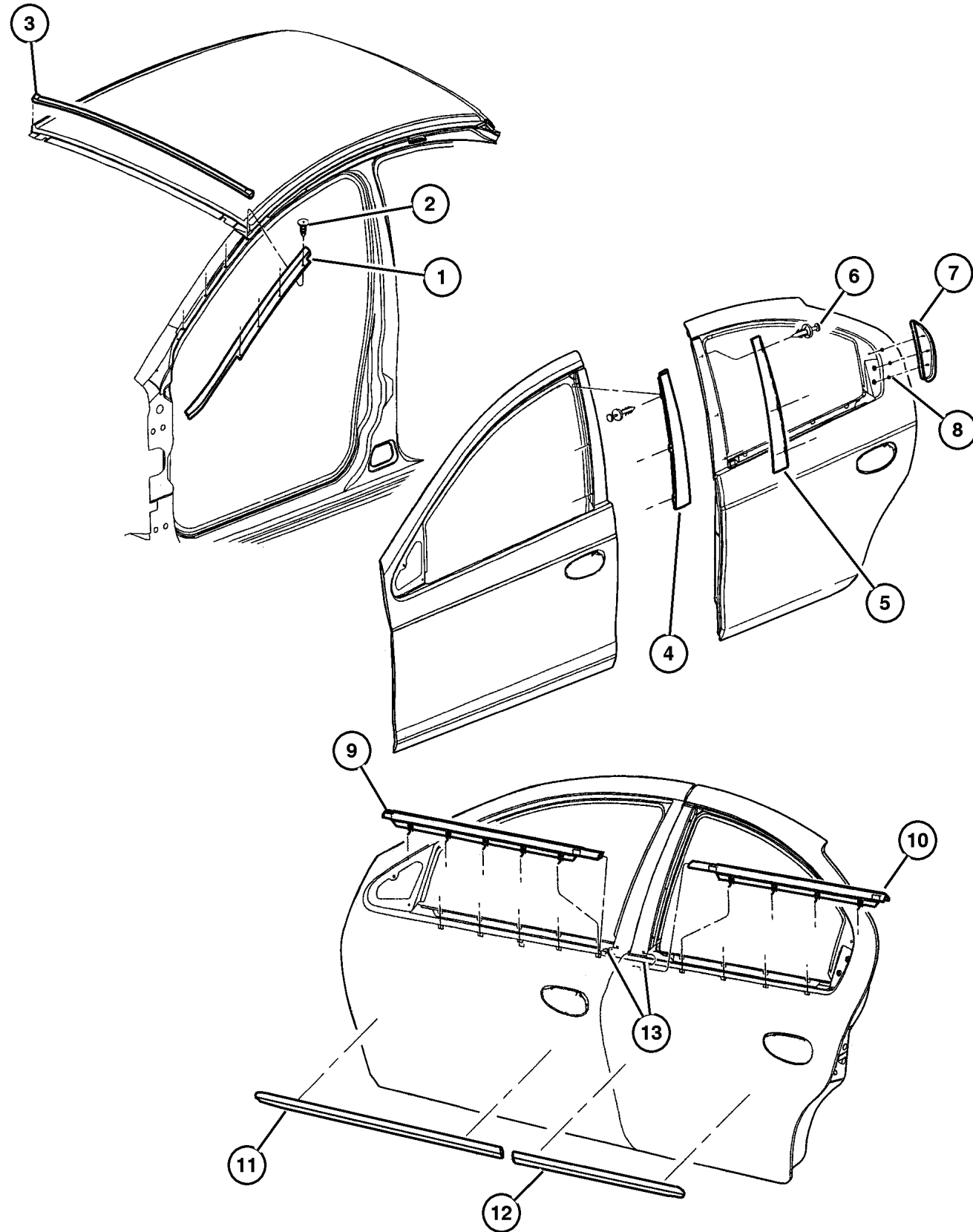
SERIES	LINE	BODY	ENGINE	TRANSMISSION
L=Low Line	Z= RHD	41 = 4 Door, 104.0WB	ECB =2.0L 4 Cyl. SOHC	DD5 = 5 Speed Manual
H=High Line	D= Dodge		EBD = 1.8L 4Cyl SOHC	DGC = 3 Speed Automatic
	D= Chrysler			DG0 = All Automatic
	P= Plymouth			DBB = All Manual

AR = Use as required - = Non illustrated part # = New this model year

May 3, 2002

Mouldings and Ornamentation  
Figure EPL-205

ITEM	PART NUMBER	QTY	LINE	SERIES	BODY	DESCRIPTION
	#QT74 WS2AA	2				[K4S]
13						CLIP, Weatherstrip, (NOT SERVICED)



DODGE - PLYMOUTH - CHRYSLER NEON (PL)  
 SERIES LINE BODY ENGINE TRANSMISSION  
 L=Low Line Z=RHD 41 = 4 Door, 104.0WB ECB =2.0L 4 Cyl. SOHC DD5 = 5 Speed Manual  
 H=High Line D= Dodge EBD = 1.8L 4Cyl SOHC DGC = 3 Speed Automatic  
 P= Plymouth DBB = All Manuall

AR = Use as required - = Non illustrated part # = New this model year

May 3, 2002

# Group - IPL

## Interior Trim

### GROUP IPL - Interior Trim

Illustration Title

Group-Fig. No.

#### Headliner and Visor

Headliner, Visor and Shelf Panel ..... Fig. IPL-110

#### Panel, Moldings, Scuff Plates

Cowl Panels ..... Fig. IPL-210  
 A-Pillar ..... Fig. IPL-215  
 B-Pillar ..... Fig. IPL-220  
 Quarter Trim Panel ..... Fig. IPL-225  
 Scuff Plates - Front and Rear ..... Fig. IPL-230

#### Carpet

Carpet, Mats and Silencers ..... Fig. IPL-310

#### Door Trim Panels

Door Panels - Front ..... Fig. IPL-410  
 Door Panels - Rear ..... Fig. IPL-420

#### Front Seats and Attaching Parts

Seat Front - Trim Code K7 ..... Fig. IPL-505  
 Seat Front - Trim Code B7 ..... Fig. IPL-510  
 Seat Front - Trim Code C7 ..... Fig. IPL-515  
 Seat Front - Trim Code CL ..... Fig. IPL-520  
 Seat Reclining - Attaching Parts ..... Fig. IPL-525

#### Rear Seats-Folding

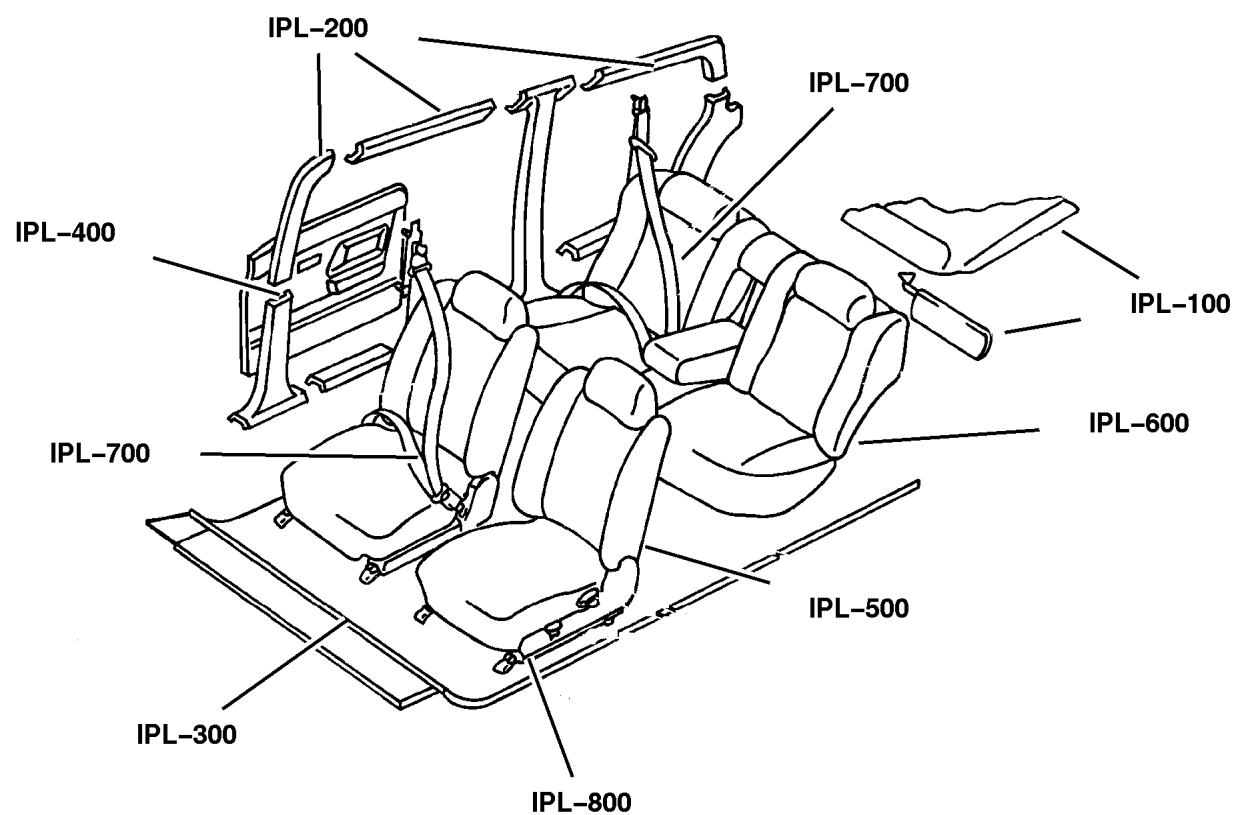
Seat Rear - Trim Code K7 ..... Fig. IPL-605  
 Seat Rear - Trim Code B7 ..... Fig. IPL-610  
 Seat Rear - Trim Code C7 ..... Fig. IPL-615  
 Seat Rear - Trim Code CL ..... Fig. IPL-620  
 Seat Rear - Attaching Parts ..... Fig. IPL-625

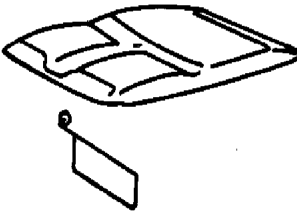
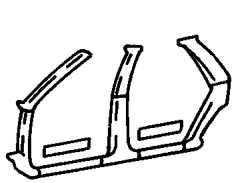
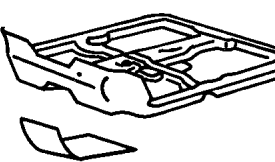
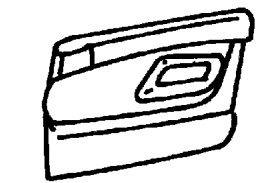
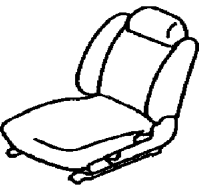
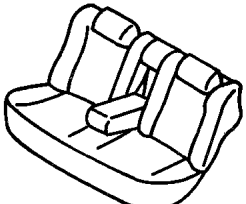
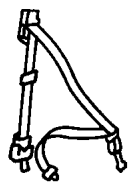
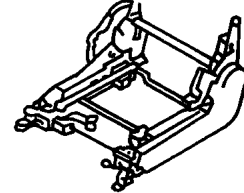
#### Seat Belts-Front and Rear

Seat Belts - Front ..... Fig. IPL-710  
 Seat Belts - Rear ..... Fig. IPL-720

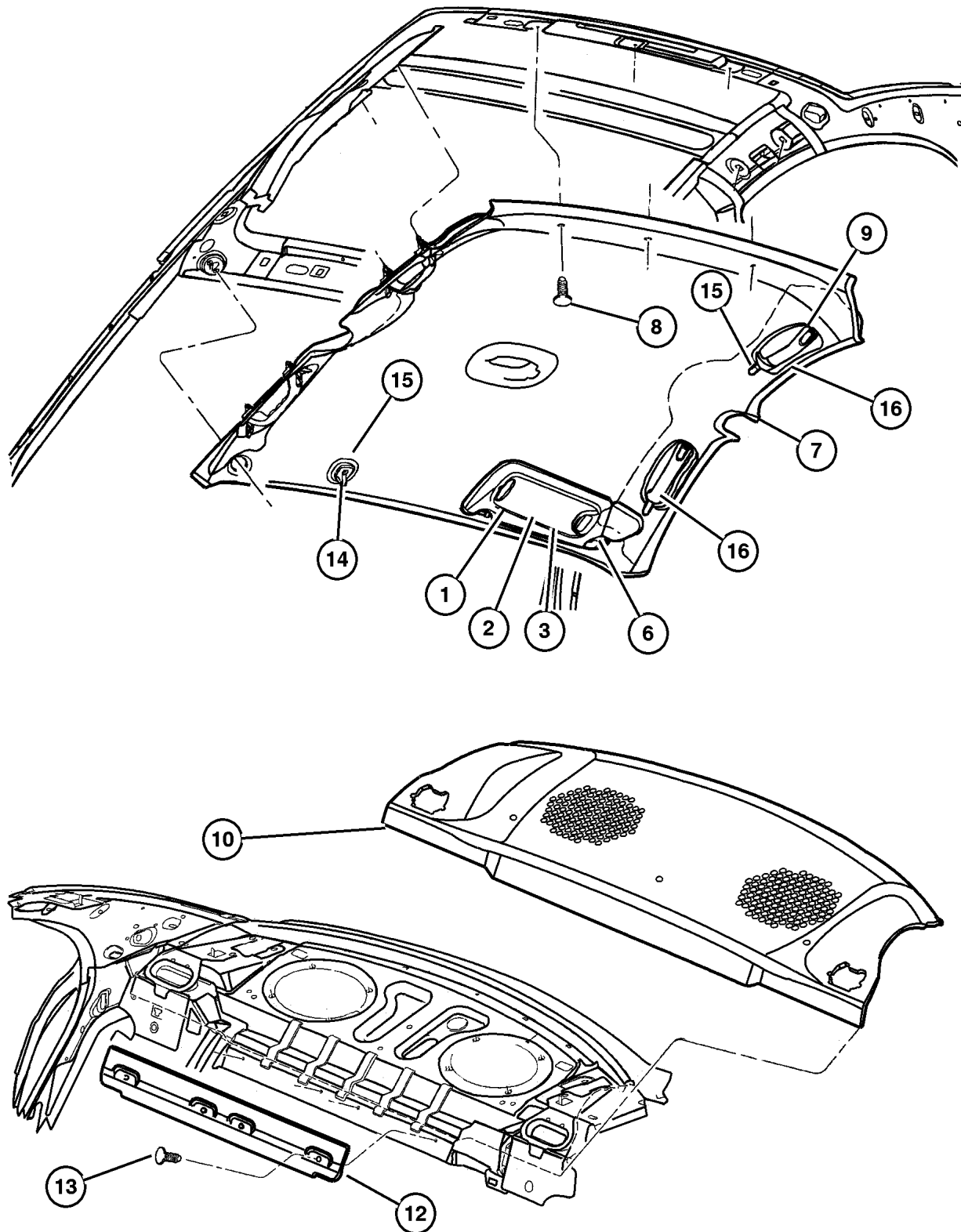
#### Adjusters, Covers, Shields, and Risers

Seat Adjusters, Recliners and Side Shields ..... Fig. IPL-810



<p><b>IPL-100</b> Door Trim Panels</p> 	<p><b>IPL-200</b> Headliner and Visor</p> 	<p><b>IPL-300</b> Carpet</p> 	<p><b>IPL-400</b> Panel, Moldings, Scuff Plates</p> 
<p><b>IPL-500</b> Front Seats and Attaching Parts</p> 	<p><b>IPL-600</b> Rear Seats-Folding</p> 	<p><b>IPL-700</b> Seat Belts-Front and Rear</p> 	<p><b>IPL-800</b> Adjusters, Covers, Shields, and Risers</p> 

## Headliner, Visor and Shelf Panel Figure IPL-110



ITEM	PART NUMBER	QTY	LINE	SERIES	BODY	TRIM	DESCRIPTION
1							VISOR
	#PY89 TL2AB	1	D, P				Beige, w/o Mirror, Left
	#QV60 TL2AA	1					Beige, w/o Mirror, Right
2							VISOR, W/Mirror
	#PY90 TL2	1	D, P				Beige, w/Mirror, Right
	#PY91 TL2AB	1					Beige, w/Mirror, Left
3							VISOR, Illuminated
	#PY92 TL2AB	1					Beige, Right
	#PY93 TL2AB	1					Beige, Left
-4	6501 966	1					BULB, 74, Visor, w/Illuminated
-5							LABEL, Air Bag Warning
	4595 746AA	1	D, P				End Cap Warning, Right
	4595 748AA	1	D, P				Dash Warning (Removable)
	4595 749AA	1	D, P				Bilingual Removable Dash Warning
	4787 437AA	2	D, P				Visor, English/French 5 Points
6	#6036 132AA	4					SCREW, Pan Head, Visor Attaching
7							HEADLINER
	#PY96 TL2AD	1	D, P				Beige, w/o Assist Handles
	#PY98 TL2AE	1					Beige, w/Assist Handles
	#TL42 TL2AA	1					Beige, w/Assist Handles and Sunroof
	#RP48 TL2AE	1					Beige, w/Assist Handles and Alarm System
	#TL41 TL2AA	1					Beige, w/Assist Handles, Sunroof and Alarm System
	#UB31 TL2AA	1					
8	#ST47 TL2AA	3					FASTENER, Headliner, Beige
9	#QY61 TL2AA	2	D, P				HOOK, Coat, Beige
10							PANEL, Shelf Trim
	#QX60 LAZAB	1	Z				Agate
	#QX60 WL8AB	1	Z				Taupe
	#TA53 LAZAA	1					Agate
	#TA53 WL8AA	1					Taupe
-11							COVER, Anchor
	#TA52 LAZAA	3					[AZ]
	#TA52 WL8AA	3					[L5]
12							MOLDING, Cargo Door, (Pass-Thru)
	#RF28 DX9AA	1				B7	Black,
		1				C7	Black,
13							PIN, Retainer
	6030 441	2					Deck Lid Cover Attaching
		2					Molding Pass-Thru Attaching (Cargo Door)
14	PX40 TL2	2					CLIP, Visor, Beige
15							SCREW, .164-18x.75

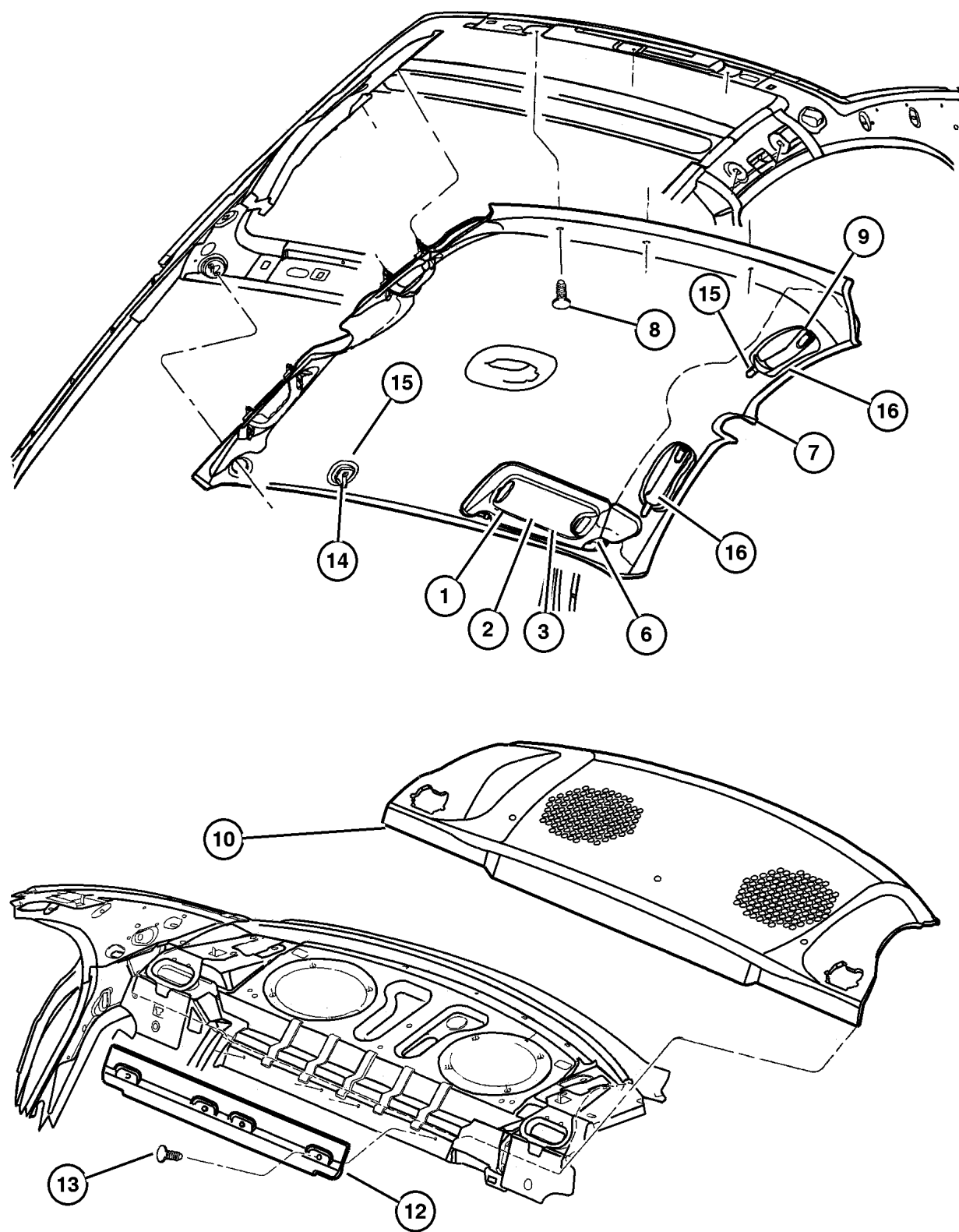
**DODGE - PLYMOUTH - CHRYSLER NEON (PL)**

SERIES	LINE	BODY	ENGINE	TRANSMISSION
L=Low Line	Z= RHD	41 = 4 Door, 104.0WB	ECB =2.0L 4 Cyl. SOHC	DD5 = 5 Speed Manual
H=High Line	D= Dodge		EBD = 1.8L 4Cyl SOHC	DGC = 3 Speed Automatic
	D= Chrysler			DG0 = All Automatic
	P= Plymouth			DBB = All Manual

AR = Use as required - = Non illustrated part # = New this model year

May 3, 2002

### Headliner, Visor and Shelf Panel Figure IPL-110



ITEM	PART NUMBER	QTY	LINE	SERIES	BODY	TRIM	DESCRIPTION
	6035 324	2	D, P				Coat Hook Attaching
		2	D, P				Assist Handle Attaching
		2					Visor, Center Support Attaching
		8					Visor Attaching
16							HANDLE, Roof Grab
	#QY62 TL2AB	2					Beige, Right & Left
	#QY66 TL2AA	1					Beige, w/Coat Hook, Right,Rear
	#QY67 TL2AA	1					Beige, w/Coat Hook, Left,Rear
-17							CLIP, Headlining
	#4775 742AA	8					Assist Handle Attaching
		2					Headliner To Roof Attaching Visor Support
		2					Headliner To Roof Attaching Coat Hook

**DODGE - PLYMOUTH - CHRYSLER NEON (PL)**

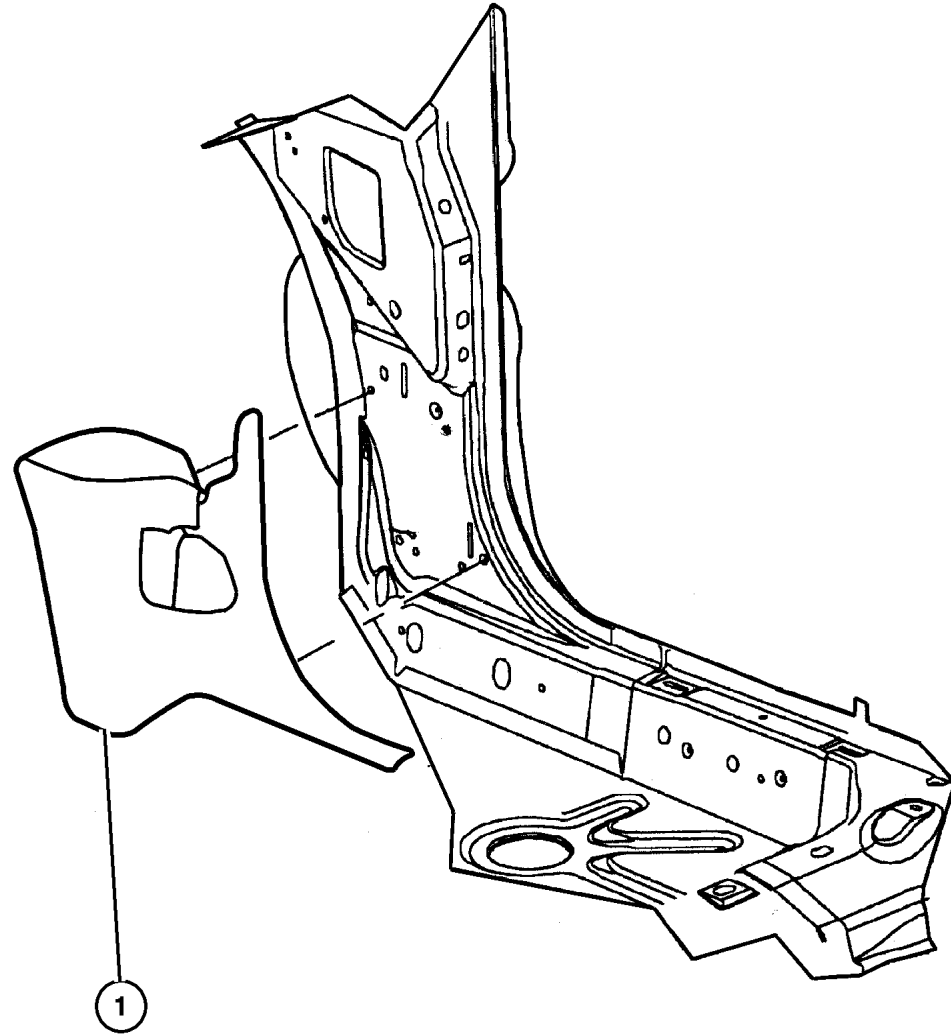
SERIES	LINE	BODY	ENGINE	TRANSMISSION
L=Low Line	Z= RHD	41 = 4 Door, 104.0WB	ECB =2.0L 4 Cyl. SOHC	DD5 = 5 Speed Manual
H=High Line	D= Dodge		EBD = 1.8L 4Cyl SOHC	DGC = 3 Speed Automatic
	D= Chrysler			DG0 = All Automatic
	P= Plymouth			DBB = All Manual

AR = Use as required - = Non illustrated part # = New this model year

May 3, 2002

**Cowl Panels  
Figure IPL-210**

ITEM	PART NUMBER	QTY	LINE	SERIES	BODY	TRIM	DESCRIPTION
1							PANEL, Cowl Side Trim
	#PY76 LAZ	1	D, P				Agate, Right
	#PY76 WL5	1	D, P				Taupe, Right
	#PY77 LAZ	1	D, P				Agate, Left
	#PY77 WL5	1	D, P				Taupe, Left
	#PY78 LAZ	1	Z				Agate, Right
	#PY78 WL5	1	Z				Taupe, Right
	#PY79 LAZ	1	Z				Agate, Left
	#PY79 WL5	1	Z				Taupe, Left
-2							CLIP, Trim Panel
	6503 167	3					
		2	Z				



**DODGE - PLYMOUTH - CHRYSLER NEON (PL)**

SERIES	LINE	BODY	ENGINE	TRANSMISSION
L=Low Line	Z= RHD	41 = 4 Door, 104.0WB	ECB =2.0L 4 Cyl. SOHC	DD5 = 5 Speed Manual
H=High Line	D= Dodge		EBD = 1.8L 4Cyl SOHC	DGC = 3 Speed Automatic
	D= Chrysler			DG0 = All Automatic
	P= Plymouth			DBB = All Manual

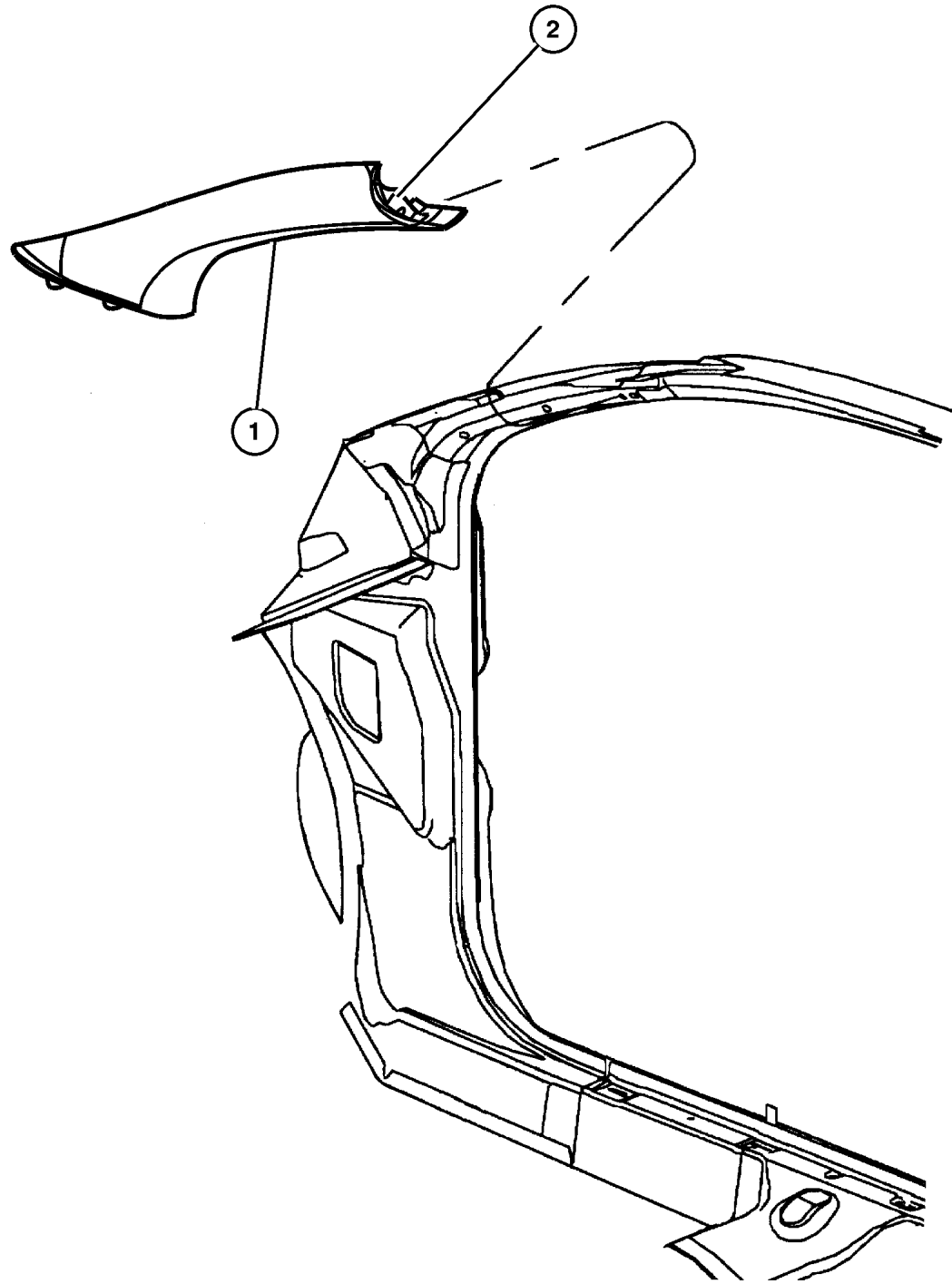
AR = Use as required - = Non illustrated part # = New this model year

May 3, 2002



**A-Pillar  
Figure IPL-215**

ITEM	PART NUMBER	QTY	LINE	SERIES	BODY	TRIM	DESCRIPTION
1							COVER, A Pillar Trim
	#PY68 TL2AB	1					Beige, Right
	#PY69 TL2AB	1					Beige, Left
2	#4775 846AA	3					CLIP, Pillar Trim, Attaching



**DODGE - PLYMOUTH - CHRYSLER NEON (PL)**

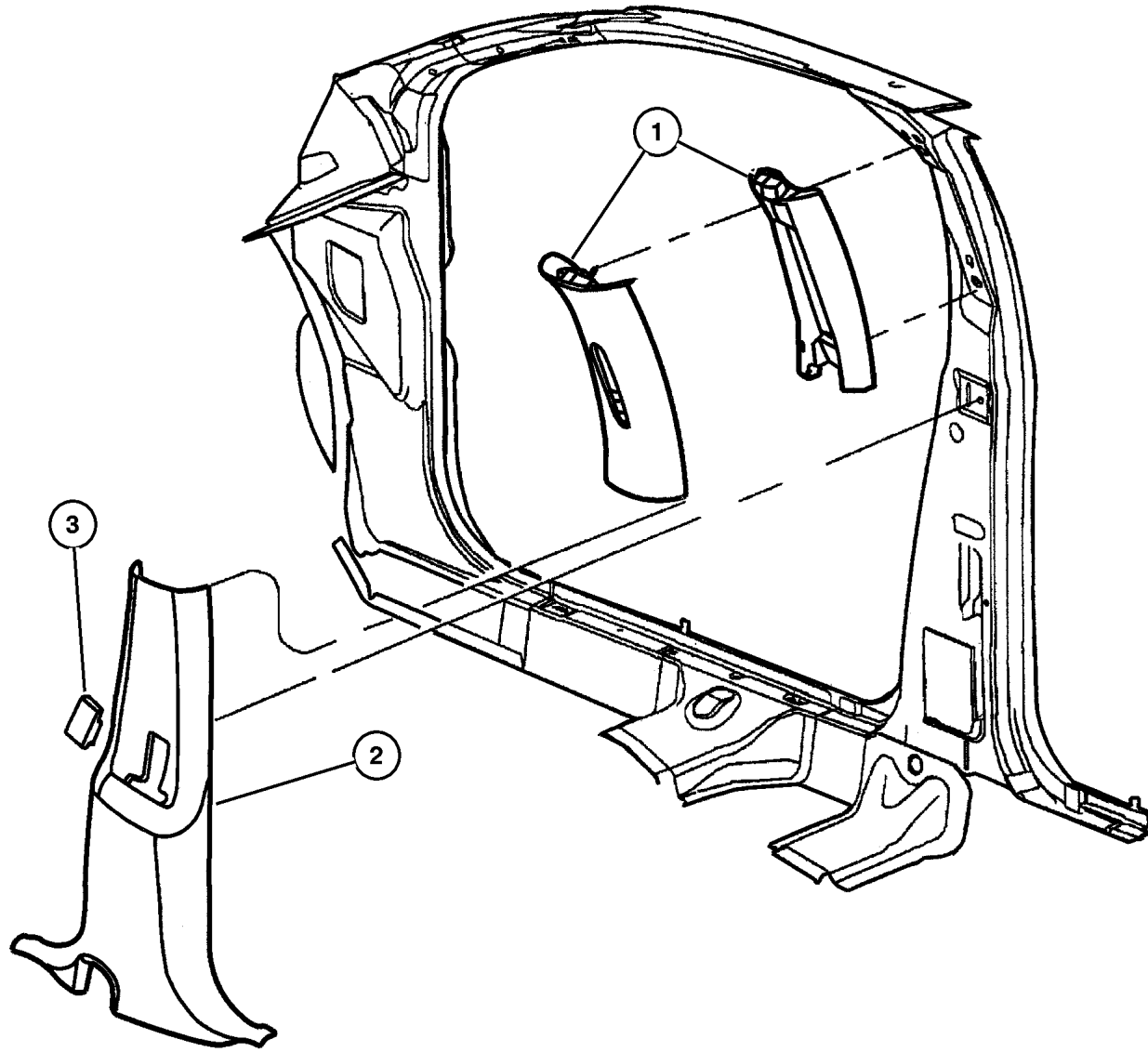
SERIES	LINE	BODY	ENGINE	TRANSMISSION
L=Low Line	Z= RHD	41 = 4 Door, 104.0WB	ECB =2.0L 4 Cyl. SOHC	DD5 = 5 Speed Manual
H=High Line	D= Dodge		EBD = 1.8L 4Cyl SOHC	DGC = 3 Speed Automatic
	D= Chrysler			DG0 = All Automatic
	P= Plymouth			DBB = All Manual

AR = Use as required - = Non illustrated part # = New this model year

May 3, 2002

**B-Pillar  
Figure IPL-220**

ITEM	PART NUMBER	QTY	LINE	SERIES	BODY	TRIM	DESCRIPTION
1							COVER, C Pillar
	#PY72 TL2AB	1					Beige, Right
	#PY73 TL2AB	1					Beige, Left
2							COVER, Center Pillar
	#RV38 LAZAA	1					Agate, Right
	#RV38 WL5AA	1					Beige, Right
	#RV39 LAZAA	1					Agate, Left
	#RV39 WL5AA	1					Beige, Left
3							COVER, Seat Belt Access Hole
	#QX57 LAZAA	2					Agate
	#QX57 WL5AA	2					Beige
-4	6503 104	2					CLIP, Pillar Trim



**DODGE - PLYMOUTH - CHRYSLER NEON (PL)**

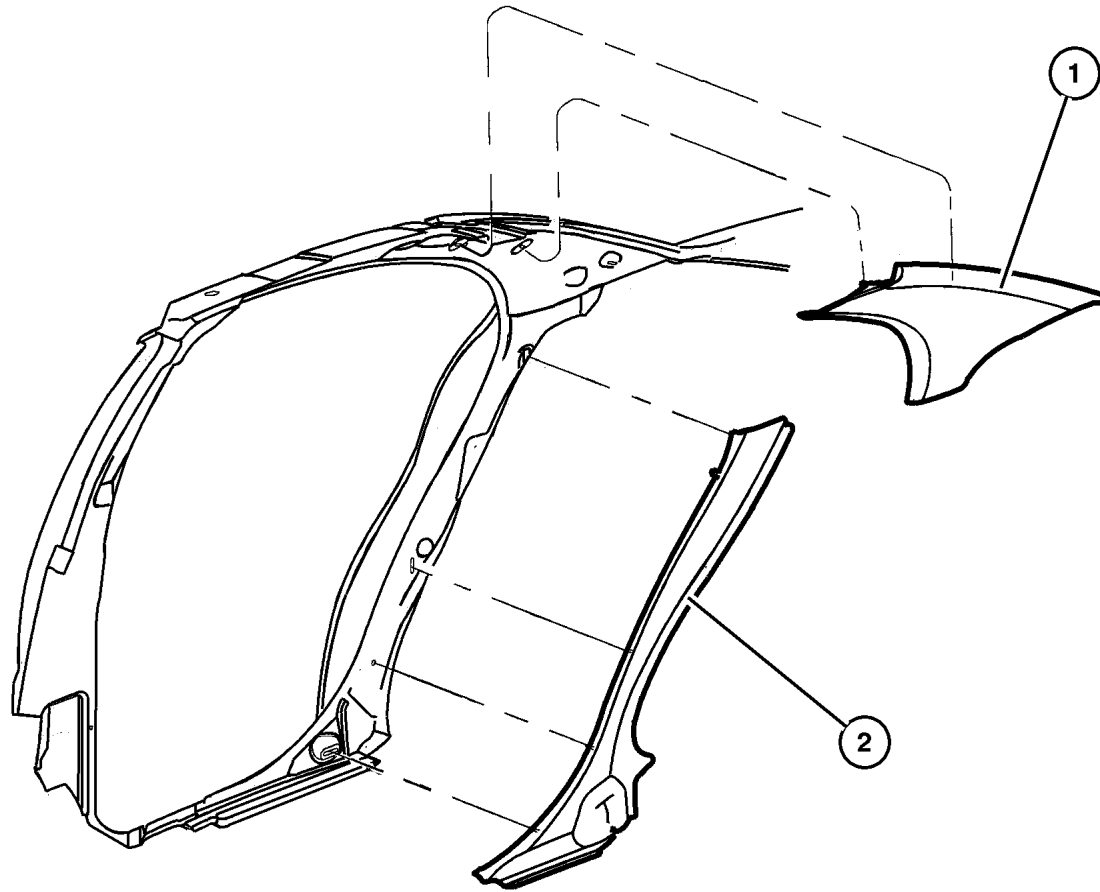
SERIES	LINE	BODY	ENGINE	TRANSMISSION
L=Low Line	Z= RHD	41 = 4 Door, 104.0WB	ECB =2.0L 4 Cyl. SOHC	DD5 = 5 Speed Manual
H=High Line	D= Dodge		EBD = 1.8L 4Cyl SOHC	DGC = 3 Speed Automatic
	D= Chrysler			DG0 = All Automatic
	P= Plymouth			DBB = All Manual

AR = Use as required - = Non illustrated part # = New this model year

May 3, 2002

Quarter Trim Panel  
Figure IPL-225

ITEM	PART NUMBER	QTY	LINE	SERIES	BODY	TRIM	DESCRIPTION
1							PANEL, Quarter Trim, Upper
	#PY80 TL2AB	1					Beige, Right
	#PY81 TL2AB	1					Beige, Left
2							PANEL, Quarter Trim, Lower
	#PY84 LAZ	1					Agate, Right
	#PY84 WL5	1					Taupe, Right
	#PY85 LAZ	1					Agate, Left
	#PY85 WL5	1					Taupe, Left
-3	6503 167	4					CLIP, Trim Panel, Quarter Panel,Lower
-4	#4775 846AA	3					CLIP, Pillar Trim, Head Impact - Quarter Upper
-5	6503 104	2					CLIP, Pillar Trim, Quarter Panel,Lower



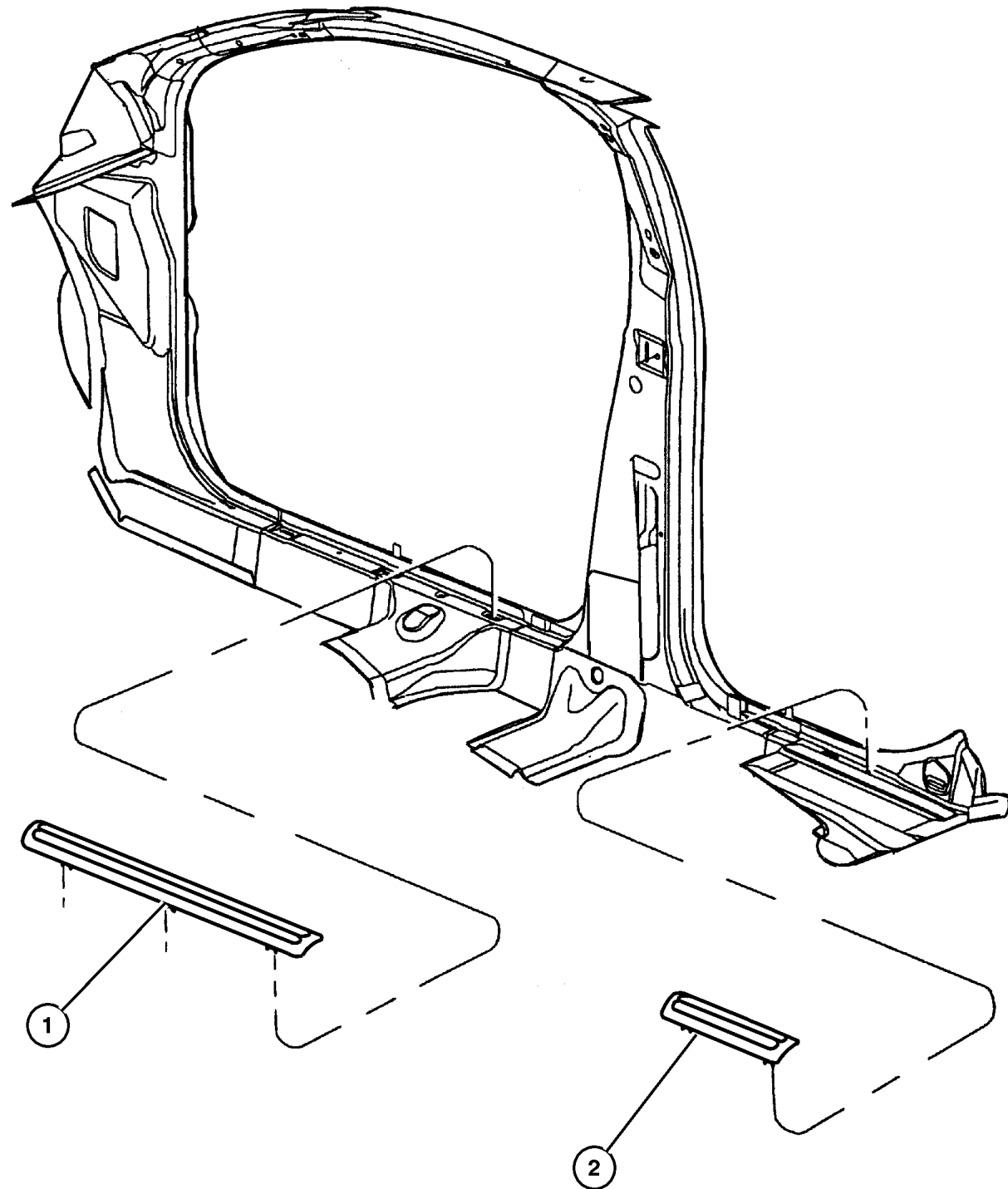
DODGE - PLYMOUTH - CHRYSLER NEON (PL)

SERIES	LINE	BODY	ENGINE	TRANSMISSION
L=Low Line	Z= RHD	41 = 4 Door, 104.0WB	ECB =2.0L 4 Cyl. SOHC	DD5 = 5 Speed Manual
H=High Line	D= Dodge		EBD = 1.8L 4Cyl SOHC	DGC = 3 Speed Automatic
	D= Chrysler			DG0 = All Automatic
	P= Plymouth			DBB = All Manual

AR = Use as required - = Non illustrated part # = New this model year

May 3, 2002

Scuff Plates - Front and Rear  
Figure IPL-230



ITEM	PART NUMBER	QTY	LINE	SERIES	BODY	TRIM	DESCRIPTION
1							PLATE, Scuff, Front
	#PY75 LAZ	2					Agate, Front
	#PY75 WL5	2					Taupe, Front
2							PLATE, Scuff, Rear
	#PY74 LAZ	2					Agate, Rear
	#PY74 WL5	2					Taupe, Rear
-3	6503 167	4					CLIP, Trim Panel, Scuff Plate

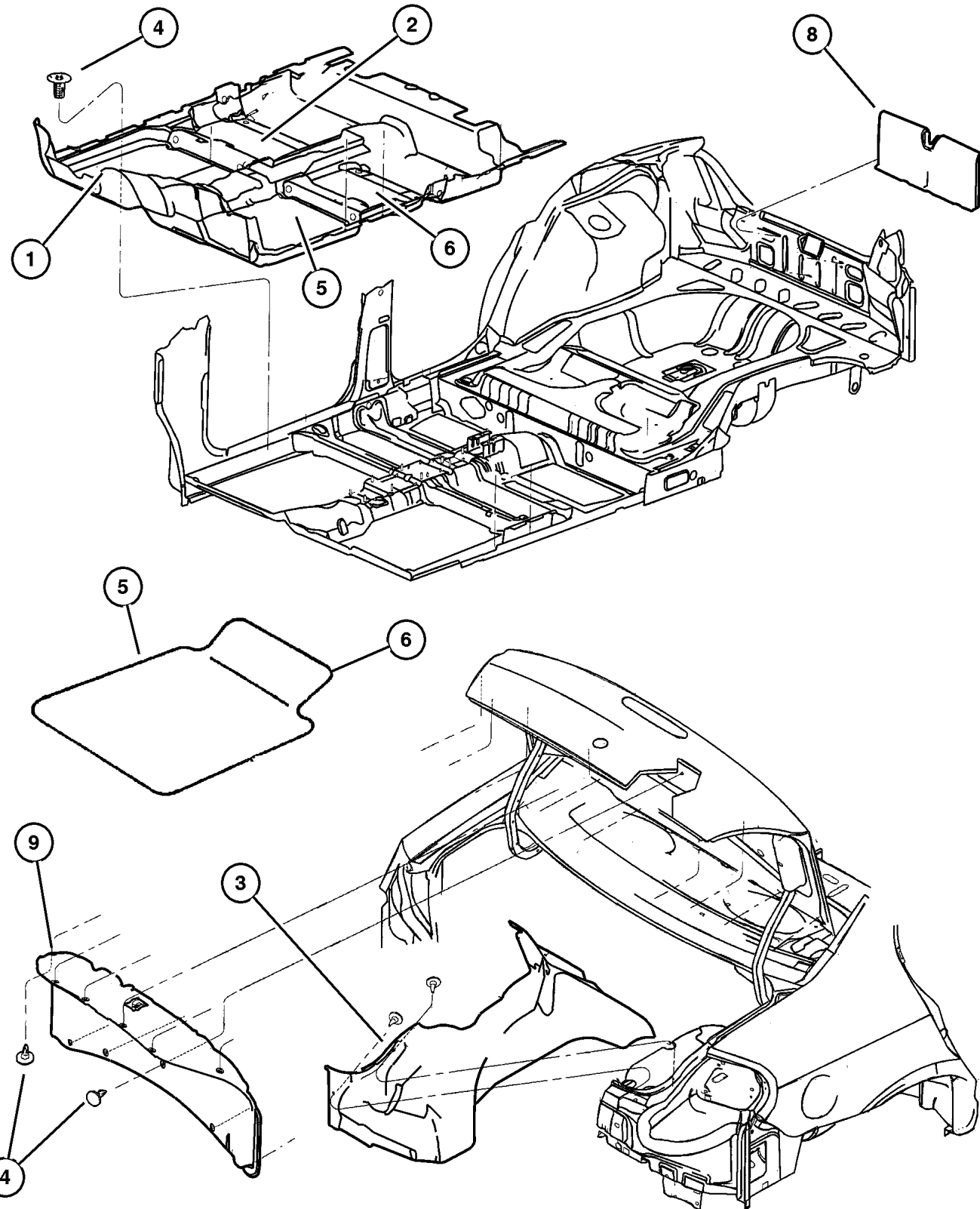
DODGE - PLYMOUTH - CHRYSLER NEON (PL)

SERIES	LINE	BODY	ENGINE	TRANSMISSION
L=Low Line	Z= RHD	41 = 4 Door, 104.0WB	ECB =2.0L 4 Cyl. SOHC	DD5 = 5 Speed Manual
H=High Line	D= Dodge		EBD = 1.8L 4Cyl SOHC	DGC = 3 Speed Automatic
	D= Chrysler			DG0 = All Automatic
	P= Plymouth			DBB = All Manual

AR = Use as required - = Non illustrated part # = New this model year

May 3, 2002

**Carpet, Mats and Silencers**  
**Figure IPL-310**



ITEM	PART NUMBER	QTY	LINE	SERIES	BODY	TRIM	DESCRIPTION
1							CARPET, Passenger Floor
	#PZ36 LAZAC	1	D, P				Agate
	#PZ36 WL8AC	1	D, P				Dark Taupe
	#PZ38 LAZAC	1	Z				Agate
	#PZ38 WL8AC	1	Z				Dark Taupe
2	4740 136	1					SILENCER, Floor Pan
3	#PZ42 VXLAC	1					CARPET, Luggage Compartment, Dark Charcoal
4	6030 441	2					PIN, Retainer, Carpet Attaching
5							MAT KIT, Floor - Front
	#RH59 LAZAC	1	Z				Agate
	#RH59 WL8AC	1	Z				Dark Taupe
	#8220 4954	1	D, P	H	41		Taupe
	#8220 4955	1	D, P	H	41		Agate
	#8220 5168	1	D, P	H	41		Taupe, (Slush Mat - Oversize)
	#8220 5169	1	D, P	H	41		Agate, (Slush Mat - Oversize)
6							MAT KIT, Floor - Rear
	#8220 4956	1	D, P	H	41		Taupe
	#8220 4957	1	D, P	H	41		Agate
	#8220 5170	1	D, P	H	41		Agate, (Slush Mat - Oversize)
	#8220 5171	1	D, P	H	41		Taupe, (Slush Mat - Oversize)
-7							CLIP, Floor Mat Retention
	#5086 365AA	1	D, P				Driver Side
		1	Z				Driver Side
8	#RH74 DX9AB	1					PANEL, Luggage Compartment Side, Black
9	#RZ83 VXLAE	1					PANEL, Decklid
-10	#5016 809AA	1					LATCH PACKAGE, Decklid, Emergency Kit Trunk Release (With Remote Entry)

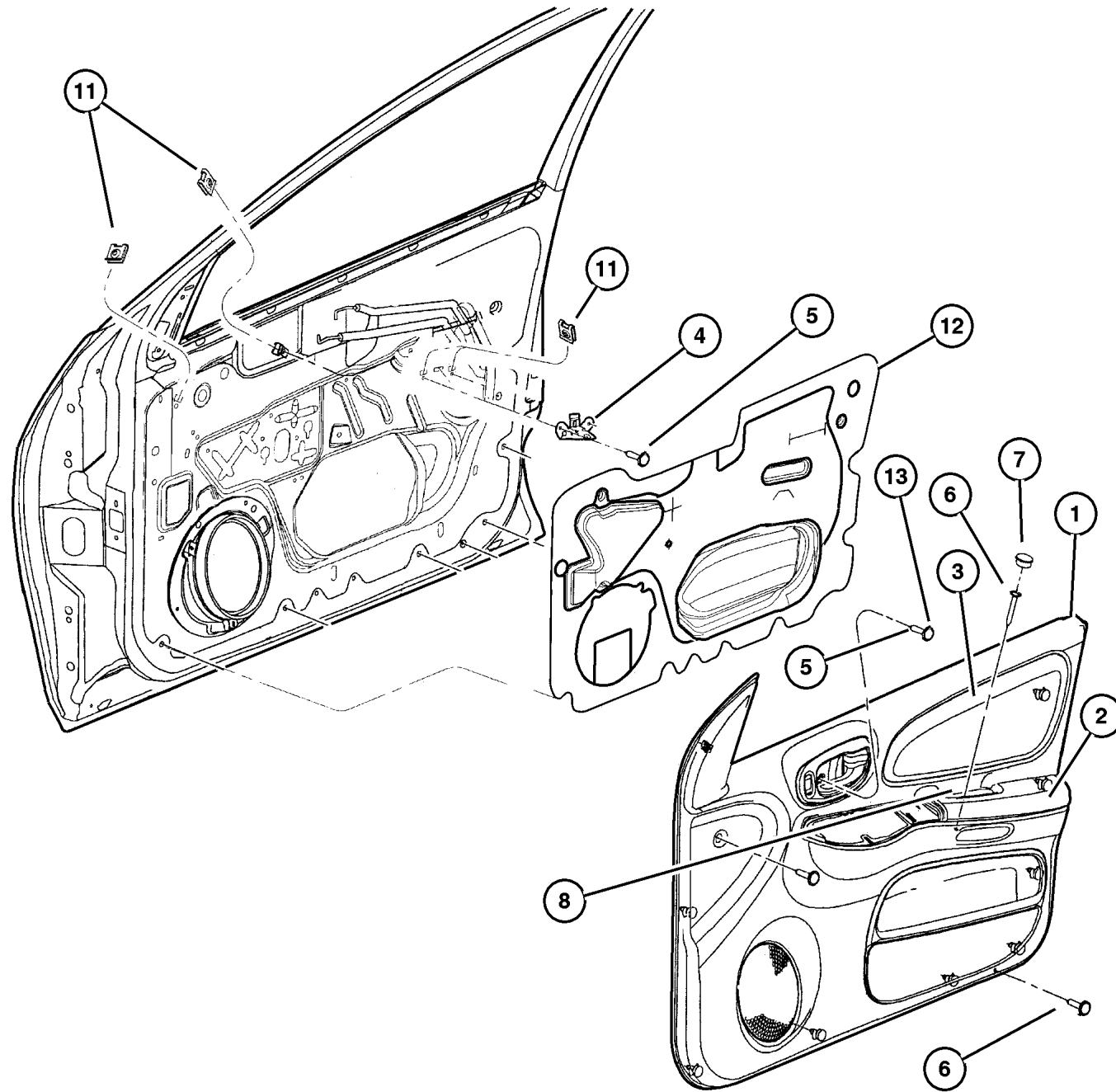
**DODGE - PLYMOUTH - CHRYSLER NEON (PL)**

SERIES	LINE	BODY	ENGINE	TRANSMISSION
L=Low Line	Z= RHD	41 = 4 Door, 104.0WB	ECB =2.0L 4 Cyl. SOHC	DD5 = 5 Speed Manual
H=High Line	D= Dodge		EBD = 1.8L 4Cyl SOHC	DGC = 3 Speed Automatic
	D= Chrysler			DG0 = All Automatic
	P= Plymouth			DBB = All Manual

AR = Use as required - = Non illustrated part # = New this model year

May 3, 2002

**Door Panels - Front  
Figure IPL-410**



ITEM	PART NUMBER	QTY	LINE	SERIES	BODY	TRIM	DESCRIPTION
1							PANEL, Front Door Trim
	#PZ14 LAZAE	1				K7	Agate, w/o Power Locks, w/o Power Windows, Right
	#PZ14 WL5AE	1				K7	Taupe, w/o Power Locks, w/o Power Windows, Right
	#PZ15 LAZAE	1				K7	Agate, w/o Power Locks, w/o Power Windows, Left
	#PZ15 WL5AE	1				K7	Taupe, w/o Power Locks, w/o Power Windows, Left
	#PZ18 LAZAE	1				K7	Agate, w/Power Locks, w/o Power Windows, Right
	#PZ18 WL5AE	1				K7	Taupe, w/Power Locks, w/o Power Windows, Right
	#PZ19 LAZAE	1				K7	Agate, w/Power Locks, w/o Power Windows, Left
	#PZ19 WL5AE	1				K7	Taupe, w/Power Locks, w/o Power Windows, Left
	#PZ52 1L5AE	1				K7	Taupe, w/Power Windows and Door Locks, Right
	#PZ52 LAZAE	1				K7	Agate, w/Power Windows and Door Locks, Right
	#PZ53 1L5AE	1				K7	Taupe, w/Power Windows and Door Locks, Left
	#PZ53 LAZAE	1				K7	Agate, w/Power Windows and Door Locks, Left
	#PZ64 1L5AE	1				B7	Taupe, w/Power Windows and Door Locking Central (Use Up To 11-16-99), Right
		1				C7	Taupe, w/Power Windows and Door Locking Central (Use Up To 11-16-99), Right
	#PZ64 LAZAE	1				B7	Agate, w/Power Windows and Door Locking Central (Use Up To 11-16-99), Right
		1				C7	Agate, w/Power Windows and Door Locking Central (Use Up To 11-16-99), Right
	#PZ65 1L5AE	1				B7	Taupe, w/Power Windows and Door Locking Central (Use Up To 11-16-99), Left
		1				C7	Taupe, w/Power Windows and Door Locking Central (Use Up To 11-16-99), Left
	#PZ65 LAZAE	1				B7	Agate, w/Power Windows and Door Locking Central (Use Up To 11-16-99), Left
		1				C7	Agate, w/Power Windows and Door Locking Central (Use Up To 11-16-99), Left
	#SJ18 1L5AA	1				C7	Taupe, w/Power Windows and Door Locking Central (Use After 11-16-99), Right
	#SJ18 1L5AB	1				B7	Taupe, w/Power Windows and Door Locking Central (Use After 11-16-99), Right
	#SJ18 LAZAA	1				C7	Agate, w/Power Windows and Door Locking Central (Use After 11-16-99), Right
	#SJ18 LAZAB	1				B7	Agate, w/Power Windows and Door Locking Central (Use After 11-16-99), Right

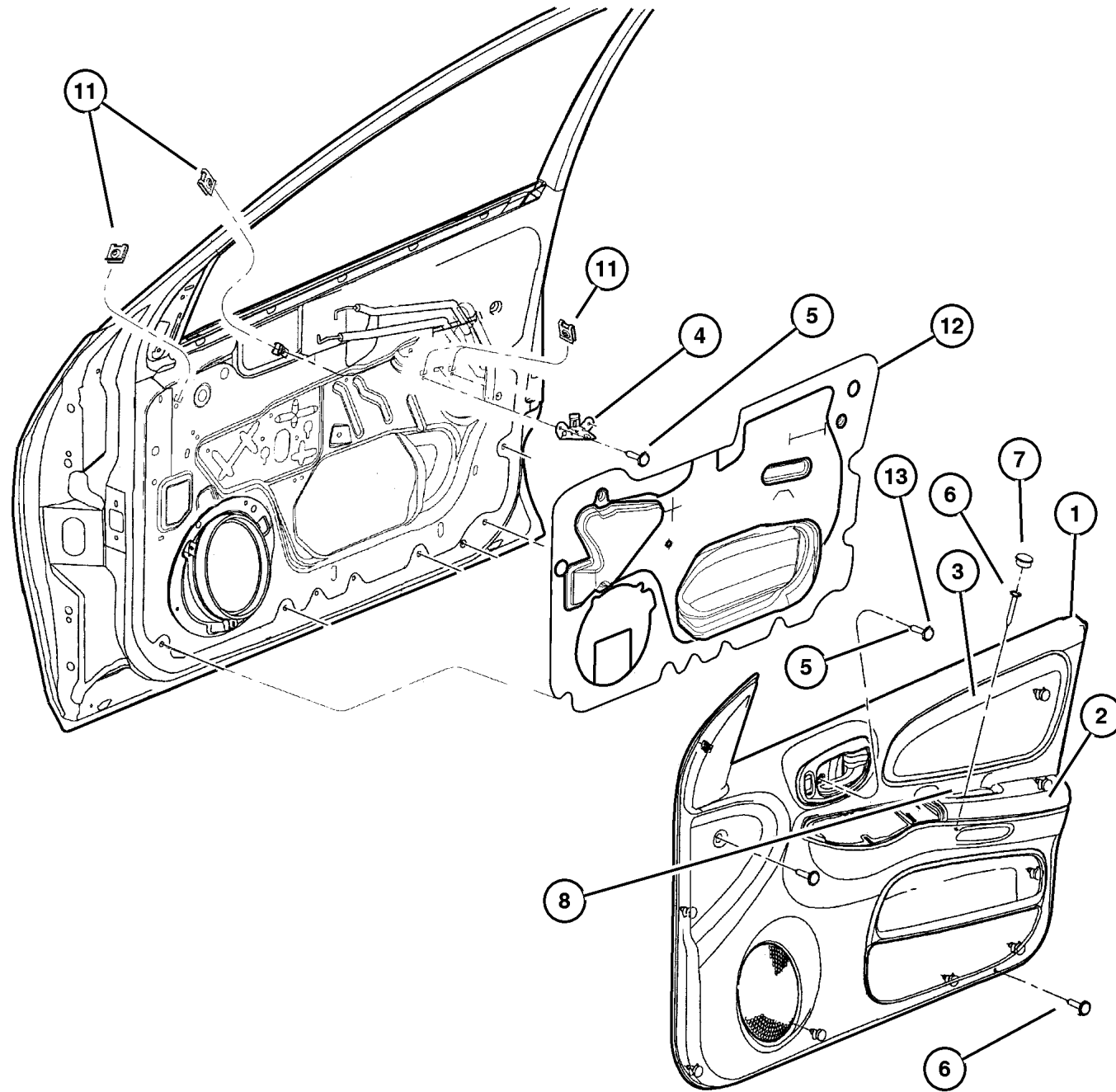
**DODGE - PLYMOUTH - CHRYSLER NEON (PL)**

SERIES	LINE	BODY	ENGINE	TRANSMISSION
L=Low Line	Z= RHD	41 = 4 Door, 104.0WB	ECB =2.0L 4 Cyl. SOHC	DD5 = 5 Speed Manual
H=High Line	D= Dodge		EBD = 1.8L 4Cyl SOHC	DGC = 3 Speed Automatic
	D= Chrysler			DG0 = All Automatic
	P= Plymouth			DBB = All Manual

AR = Use as required - = Non illustrated part # = New this model year

May 3, 2002

**Door Panels - Front  
Figure IPL-410**



ITEM	PART NUMBER	QTY	LINE	SERIES	BODY	TRIM	DESCRIPTION
	#SJ19 1L5AA	1				C7	Taupe, w/Power Windows and Door Locking Central (Use After 11-16-99), Left
	#SJ19 1L5AB	1				B7	Taupe, w/Power Windows and Door Locking Central (Use After 11-16-99), Left
	#SJ19 LAZAA	1				C7	Agate, w/Power Windows and Door Locking Central (Use After 11-16-99), Left
	#SJ19 LAZAB	1				B7	Agate, w/Power Windows and Door Locking Central (Use After 11-16-99), Left
	#SL30 1L5AF	1				CL	Taupe, Right
	#SL31 1L5AF	1				CL	Taupe, Left
2							ARMREST, Door, Serviced With Door Panel Only, (NOT SERVICED)
3							BOLSTER, Front Door, Serviced With Door Panel Only, (NOT SERVICED)
4	#4775 558	2					BRACKET, Door Trim Panel, Attaching
5	0153 921	4					Pull Cup Bracket Attaching
		2					Remote Bezel
6	6032 723	2					SCREW, Self Tapping, M4.2x1.69x19.05, Door Panel Attaching
7							PLUG, Cover
	LB57 TAZ	2					Agate, Pull Cup
	LB57 WL5	2					Taupe, Pull Cup
8	#QS28 LAZAA	1				K7	Agate
		1				B7	Agate
	#QS28 WL5AA	1				K7	Taupe
		1				B7	Taupe
		1				C7	Taupe
-9	6503 167	2	D, P				CLIP, Trim Panel, Door Flag Attaching
-10	#5023 111AA	8				K7	Pin/Grommet w/Seal
		8				B7	Pin/Grommet w/Seal
		8				C7	Pin/Grommet w/Seal
11							NUT, U, For A .164-15 Screw , (NOT SERVICED)
12							WATERSHIELD, Front Door, (NOT SERVICED)
13							PLUG, Bezel Trim
	#SR22 LAZAA	1				B7	Agate
		1				C7	Agate
		1				K7	Agate
	#SR22 WL5AA	1				B7	Taupe
		1				C7	Taupe

**DODGE - PLYMOUTH - CHRYSLER NEON (PL)**

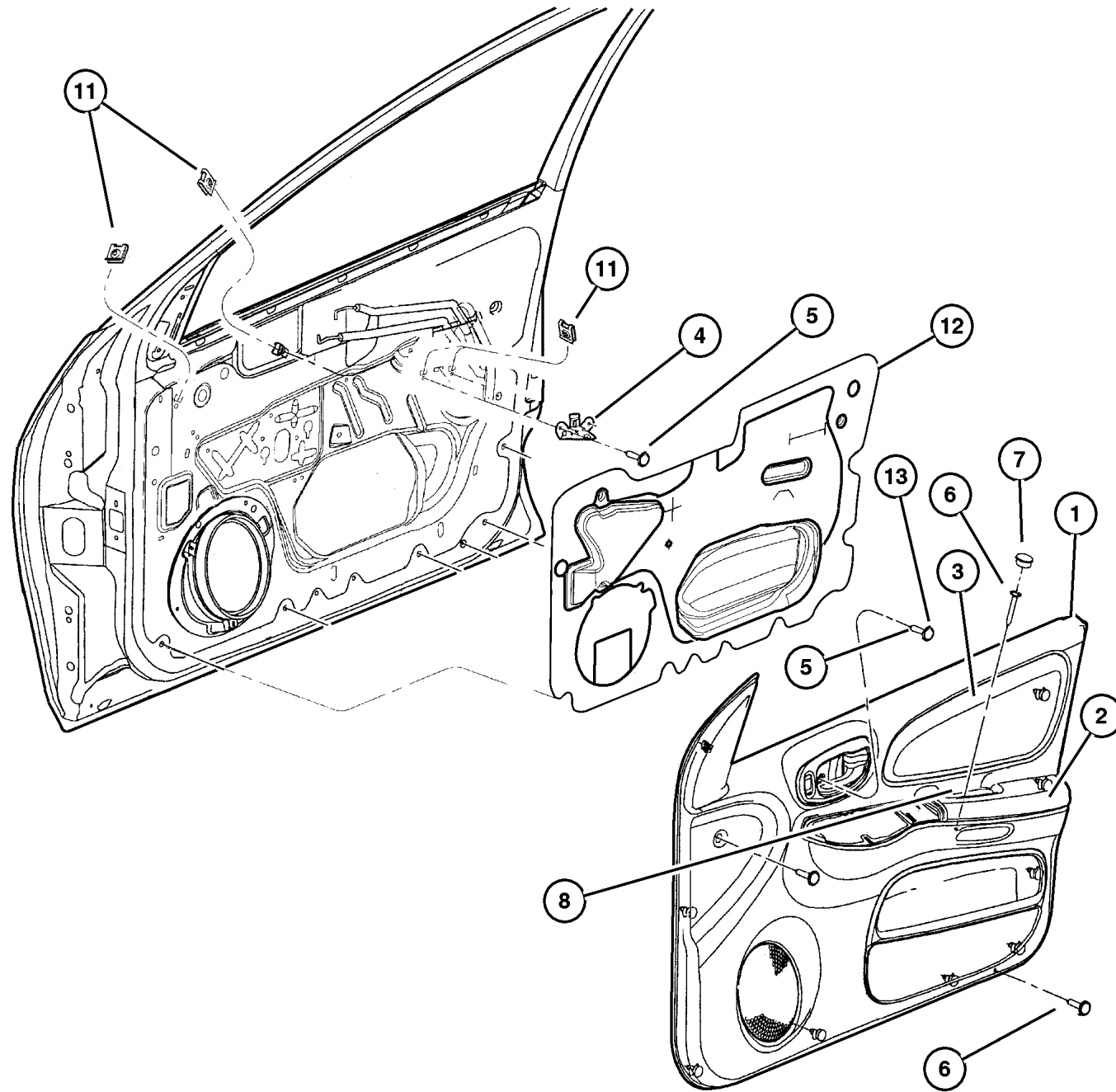
SERIES	LINE	BODY	ENGINE	TRANSMISSION
L=Low Line	Z= RHD	41 = 4 Door, 104.0WB	ECB =2.0L 4 Cyl. SOHC	DD5 = 5 Speed Manual
H=High Line	D= Dodge		EBD = 1.8L 4Cyl SOHC	DGC = 3 Speed Automatic
	D= Chrysler			DG0 = All Automatic
	P= Plymouth			DBB = All Manual

AR = Use as required - = Non illustrated part # = New this model year

May 3, 2002

Door Panels - Front  
Figure IPL-410

ITEM	PART NUMBER	QTY	LINE	SERIES	BODY	TRIM	DESCRIPTION
		1				K7	Taupe



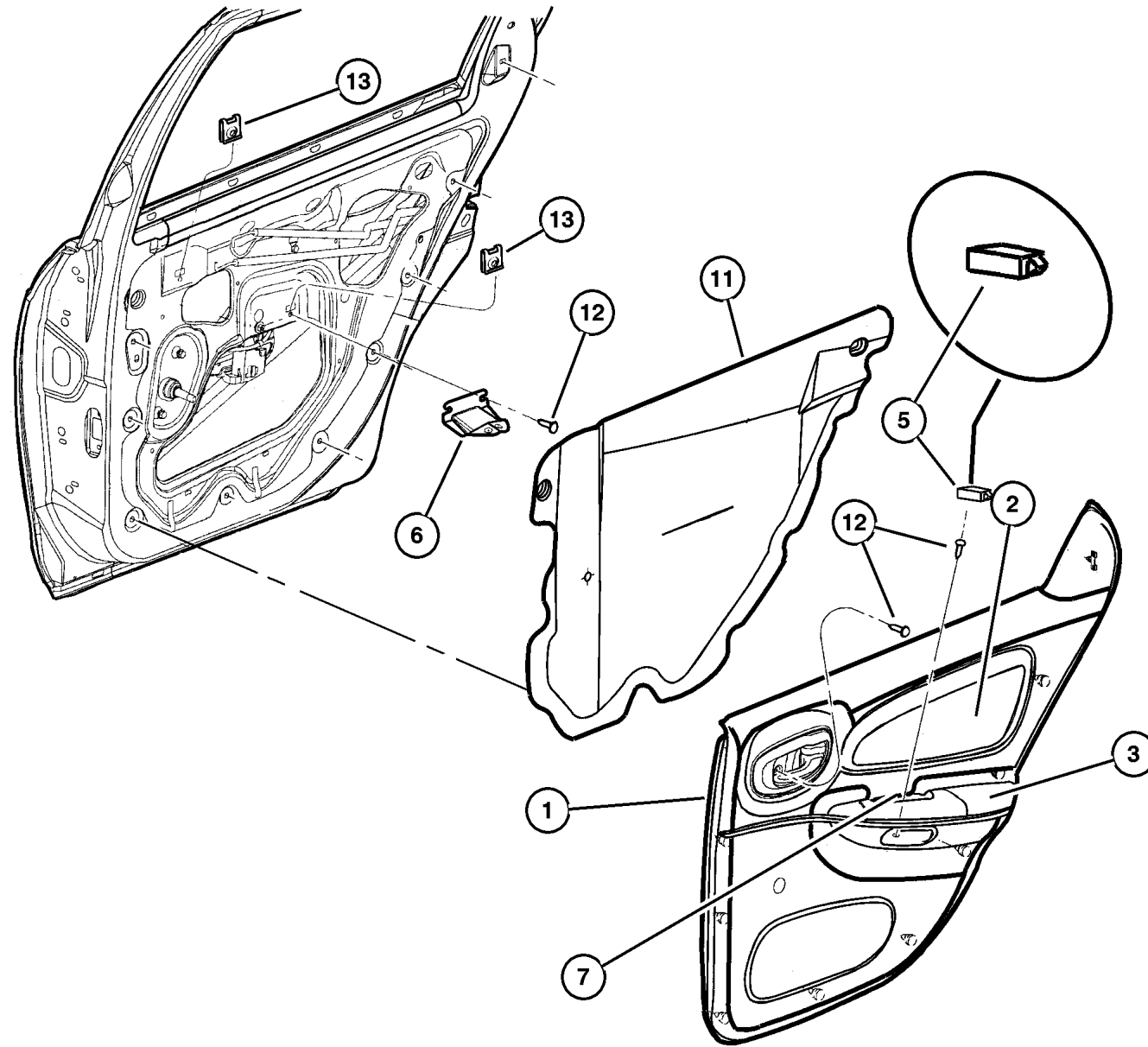
DODGE - PLYMOUTH - CHRYSLER NEON (PL)  
 SERIES LINE BODY ENGINE TRANSMISSION  
 L=Low Line Z=RHD 41 = 4 Door, 104.0WB ECB =2.0L 4 Cyl. SOHC DD5 = 5 Speed Manual  
 H=High Line D= Dodge EBD = 1.8L 4Cyl SOHC DGC = 3 Speed Automatic  
 P= Plymouth DBB = All Manuall

AR = Use as required - = Non illustrated part # = New this model year

May 3, 2002



Door Panels - Rear  
Figure IPL-420



ITEM	PART NUMBER	QTY	LINE	SERIES	BODY	TRIM	DESCRIPTION
1							PANEL, Rear Door Trim
	#PZ16 LAZAD	1				K7	Agate, Right
	#PZ16 WL5AD	1				K7	Taupe, Right
	#PZ17 LAZAD	1				K7	Agate, Left
	#PZ17 WL5AD	1				K7	Taupe, Left
	#PZ66 LAZAD	1				B7	Agate, (Use Up To 11-16-98), Right
		1				C7	Agate, (Use Up To 11-16-98), Right
	#PZ66 WL5AD	1				B7	Taupe, (Use Up To 11-16-98), Right
		1				C7	Taupe, (Use Up To 11-16-98), Right
	#PZ67 LAZAD	1				B7	Agate, (Use Up To 11-16-98), Left
		1				C7	Agate, (Use Up To 11-16-98), Left
	#PZ67 WL5AD	1				B7	Taupe, (Use Up To 11-16-98), Left
		1				C7	Taupe, (Use Up To 11-16-98), Left
	#SJ20 LAZAB	1				B7	Agate, (Use After 11-16-98), Right
		1				C7	Agate, (Use After 11-16-98), Right
	#SJ20 WL5AB	1				B7	Taupe, (Use After 11-16-98), Right
		1				C7	Taupe, (Use After 11-16-98), Right
	#SJ21 LAZAB	1				B7	Agate, (Use After 11-16-98), Left
		1				C7	Agate, (Use After 11-16-98), Left
	#SJ21 WL5AB	1				B7	Taupe, (Use After 11-16-98), Left
		1				C7	Taupe, (Use After 11-16-98), Left
	#SL34 1L5AF	1				CL	Taupe, Right
	#SL35 1L5AF	1				CL	Taupe, Left
2							BOLSTER, Door, Serviced w/Door Panel, (NOT SERVICED)
3							ARMREST, Door, Serviced w/Door Panel, (NOT SERVICED)
-4							BRACKET, Door Pull Cup
	#5023 220AA	1					Right
	#5023 221AA	1					Left
5							PLUG, Cover
	LB57 TAZ	2					Agate, Pull Cup Rear
	LB57 WL5	2					Taupe, Pull Cup Rear
6							BRACKET, Door Panel Attaching, (NOT SERVICED)
7							CUP, Door Pull
	#QS28 LAZAA	1				K7	Agate, Right
		1				B7	Agate, Right
		1				C7	Agate, Right
	#QS28 WL5AA	1				K7	Taupe, Right
		1				B7	Taupe, Right
		1				C7	Taupe, Right

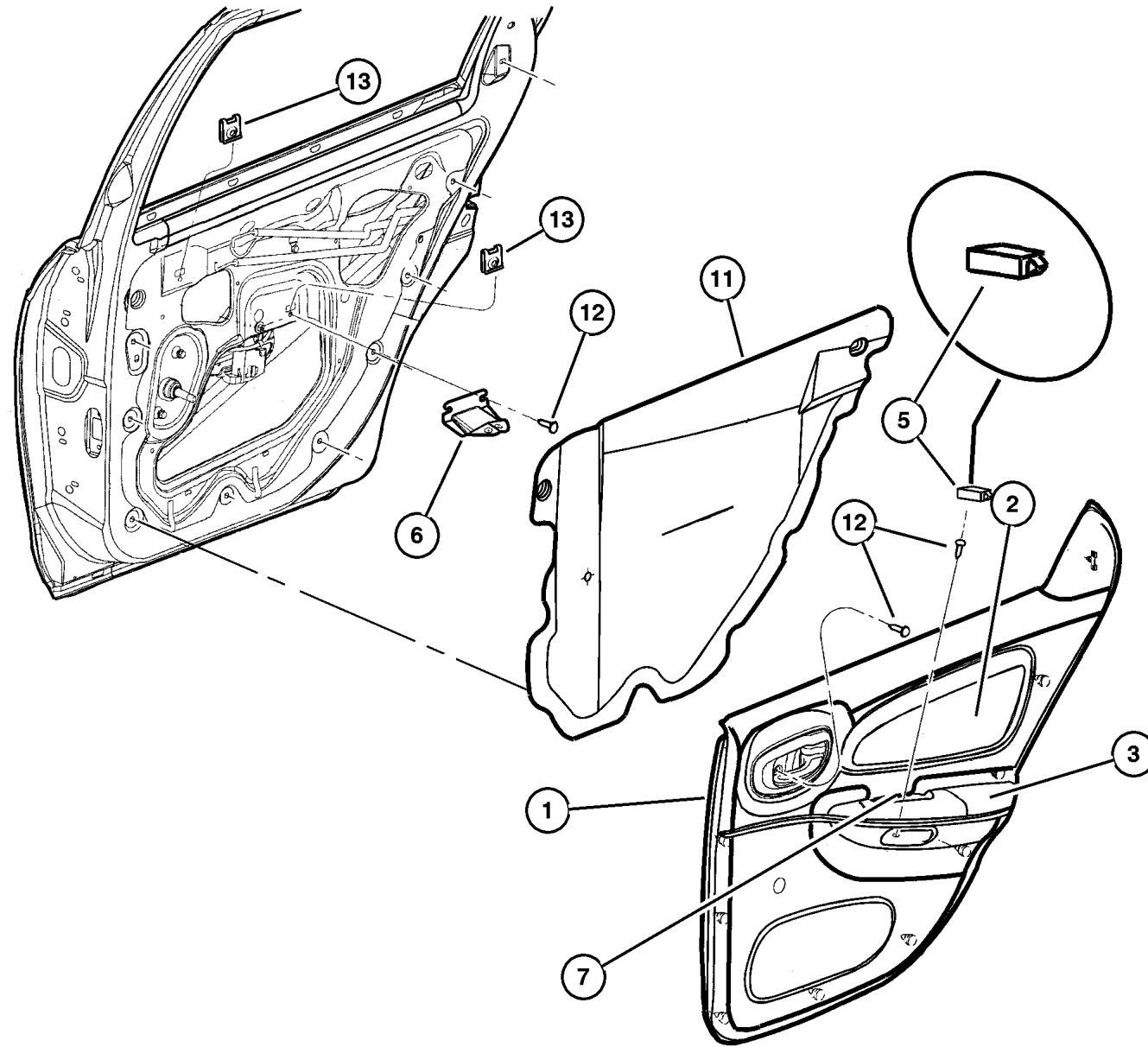
DODGE - PLYMOUTH - CHRYSLER NEON (PL)

SERIES	LINE	BODY	ENGINE	TRANSMISSION
L=Low Line	Z= RHD	41 = 4 Door, 104.0WB	ECB =2.0L 4 Cyl. SOHC	DD5 = 5 Speed Manual
H=High Line	D= Dodge		EBD = 1.8L 4Cyl SOHC	DGC = 3 Speed Automatic
	D= Chrysler			DG0 = All Automatic
	P= Plymouth			DBB = All Manual

AR = Use as required - = Non illustrated part # = New this model year

May 3, 2002

Door Panels - Rear  
Figure IPL-420



ITEM	PART NUMBER	QTY	LINE	SERIES	BODY	TRIM	DESCRIPTION
	#QS29 LAZAA	1				K7	Agate, Left
		1				B7	Agate, Left
		1				C7	Agate, Left
	#QS29 WL5AA	1				K7	Taupe, Left
		1				B7	Taupe, Left
		1				C7	Taupe, Left
-8	#5023 111AA	8				K7	RETAINER, Trim Panel Pin/Grommet w/Seal
		8				B7	Pin/Grommet w/Seal
		8				C7	Pin/Grommet w/Seal
-9	6503 167	3					CLIP, Trim Panel, Door Flag Attaching
-10	6032 723	2					SCREW, Self Tapping, M4.2x1.69x19.05, Door Panel Attaching
11							WATERSHIELD, Rear Door, (NOT SERVICED)
12	0153 921	4					SCREW
13							NUT, U, (NOT SERVICED)
-14							PLUG, Cover
	LB57 TAZ	2					Agate, Goes Behind Door Handle
	LB57 WL5	2					Taupe, Goes Behind Door Handle

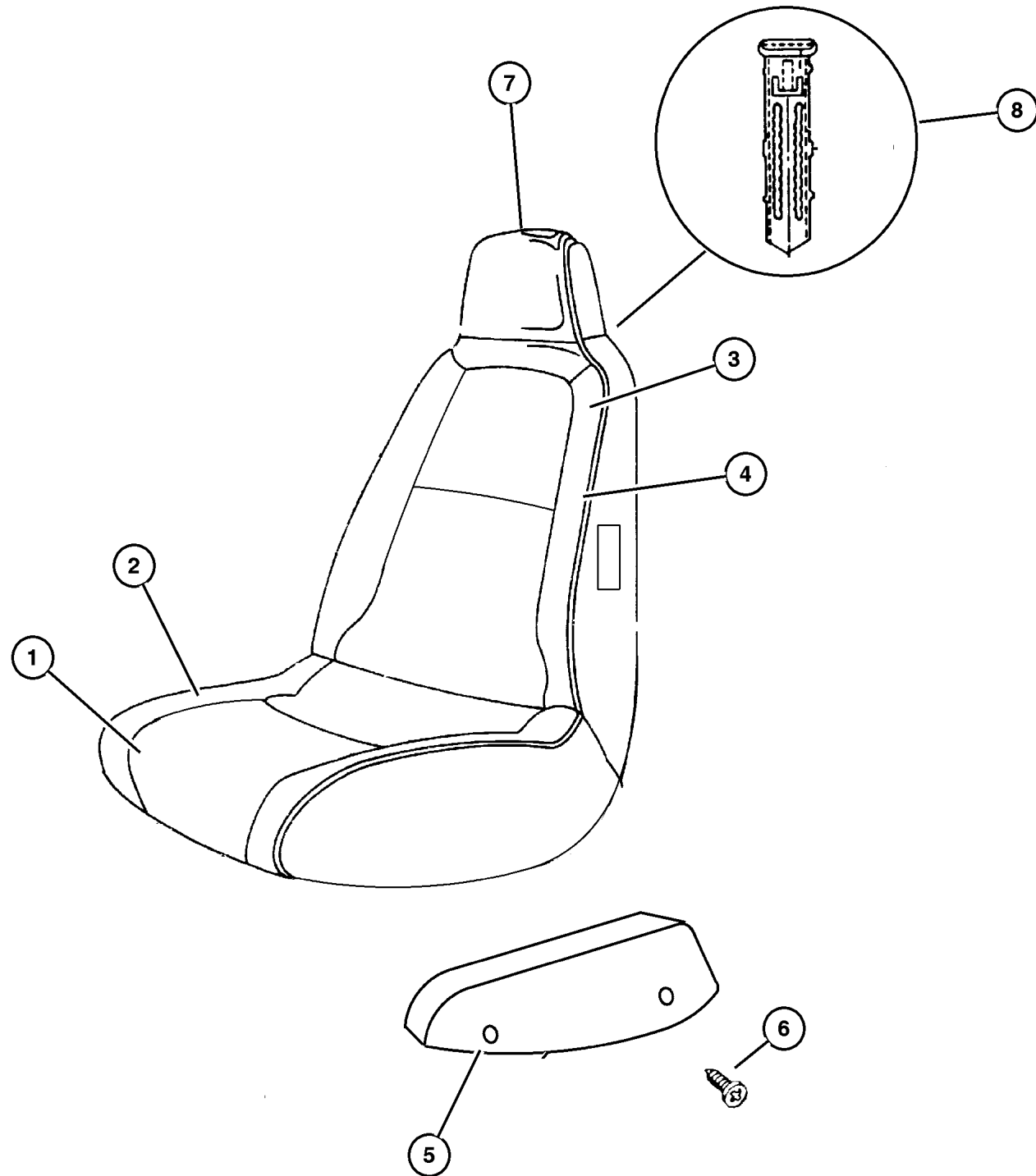
DODGE - PLYMOUTH - CHRYSLER NEON (PL)

SERIES	LINE	BODY	ENGINE	TRANSMISSION
L=Low Line	Z= RHD	41 = 4 Door, 104.0WB	ECB =2.0L 4 Cyl. SOHC	DD5 = 5 Speed Manual
H=High Line	D= Dodge		EBD = 1.8L 4Cyl SOHC	DGC = 3 Speed Automatic
	D= Chrysler			DG0 = All Automatic
	P= Plymouth			DBB = All Manual

AR = Use as required - = Non illustrated part # = New this model year

May 3, 2002

**Seat Front - Trim Code K7**  
**Figure IPL-505**



ITEM	PART NUMBER	QTY	LINE	SERIES	BODY	TRIM	DESCRIPTION
1							CUSHION, Front Seat
	#SL49 1AZAA	2	D, P			K7	Agate, Right & Left
		2	Z			K7	Agate, Right & Left
	#SL49 1L5AA	2	D, P			K7	Taupe, Right & Left
2							COVER, Front Seat Cushion
	#SL53 1AZAA	2	Z			K7	Agate, Right & Left
		2	D, P			K7	Agate, Right & Left
	#SL53 1L5AA	2	D, P			K7	Taupe, Right & Left
3							SEAT BACK, Front
	#TE38 1AZAA	1	Z			K7	Agate, Right
	#TE39 1AZAA	1	Z			K7	Agate, Left
	#SL50 1AZAA	1	D, P			K7	Agate, Right
	#SL50 1L5AA	1	D, P			K7	Taupe, Right
	#SL51 1AZAA	1	D, P			K7	Agate, Left
	#SL51 1L5AA	1	D, P			K7	Taupe, Left
4							COVER, Front Seat Back
	#TE37 1AZAA	2	Z			K7	Agate, Right & Left
	#SL54 1AZAA	1	D, P			K7	Agate, Right & Left
	#SL54 1L5AA	1	D, P			K7	Taupe, Right & Left
5							SHIELD, Seat Cushion
	JF76 1AZ	1	Z			K7	Agate, Right,Outboard
		1	D, P			K7	Agate, Right,Outboard
	JF76 1L5	1	D, P			K7	Taupe, Right,Outboard
	JF77 1AZ	1	Z			K7	Agate, Left,Outboard
		1	D, P			K7	Agate, Left,Outboard
	JF77 1L5	1	D, P			K7	Taupe, Left,Outboard
6							SCREW, Shield Attaching (10-24x1.30 T20 Torx, (NOT SERVICED))
7							HEADREST, Front
	#SL52 1AZAA	2	D, P			K7	Agate
		2	Z			K7	Agate
	#SL52 1L5AA	2	D, P			K7	Taupe
8							SLEEVE, Headrest
	QX11 1AZAA	1	Z			K7	Agate, w/Release Button
		1	D, P			K7	Agate, w/Release Button
	QX11 1L5AA	1	D, P			K7	Taupe, w/Release Button
	QX12 1AZAA	1	Z			K7	Agate, w/o Release Button
		1	D, P			K7	Agate, w/o Release Button
	QX12 1L5AA	1	D, P			K7	Taupe, w/o Release Button

**DODGE - PLYMOUTH - CHRYSLER NEON (PL)**

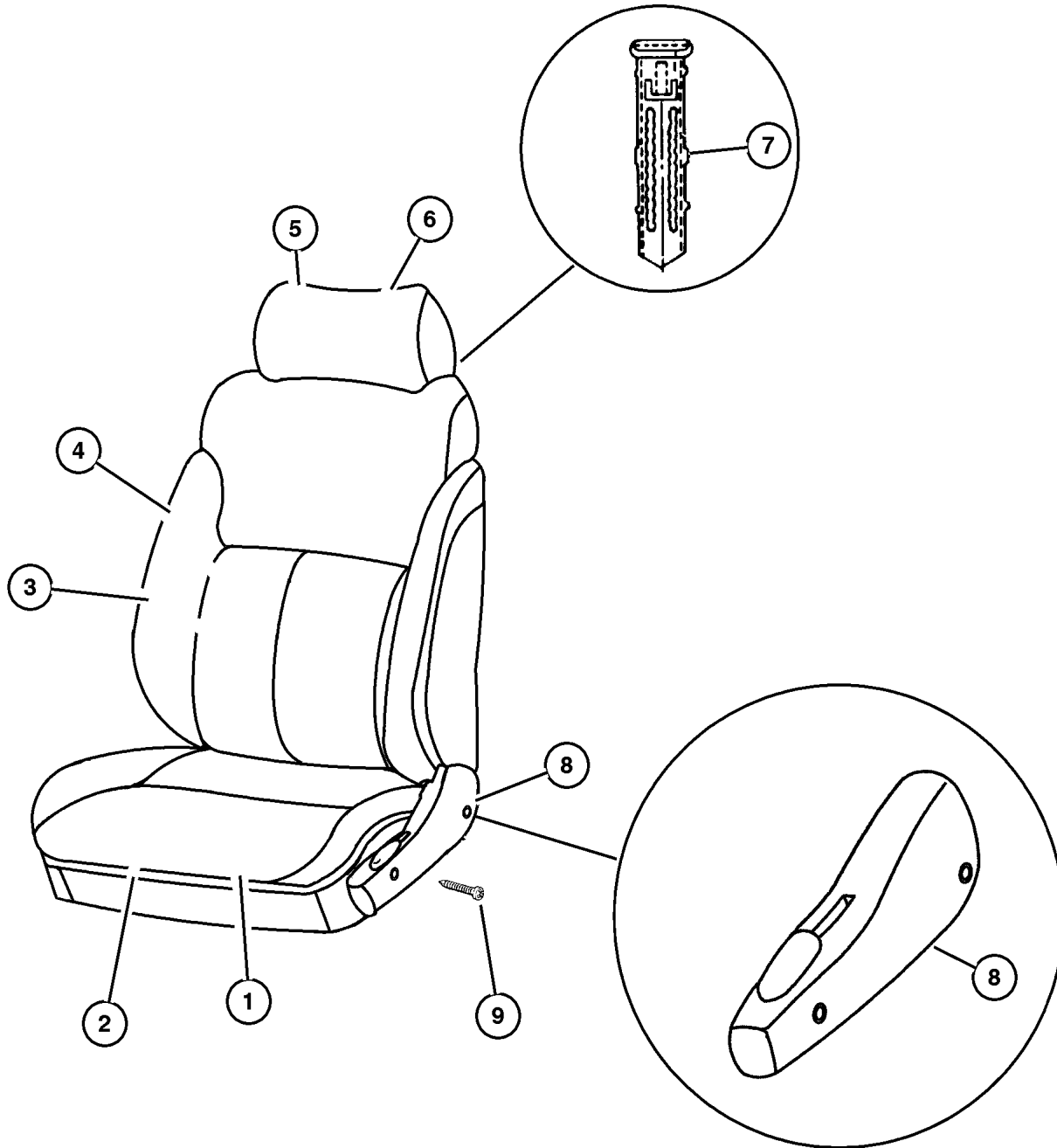
SERIES	LINE	BODY	ENGINE	TRANSMISSION
L=Low Line	Z= RHD	41 = 4 Door, 104.0WB	ECB =2.0L 4 Cyl. SOHC	DD5 = 5 Speed Manual
H=High Line	D= Dodge		EBD = 1.8L 4Cyl SOHC	DGC = 3 Speed Automatic
	D= Chrysler			DG0 = All Automatic
	P= Plymouth			DBB = All Manual

AR = Use as required - = Non illustrated part # = New this model year

May 3, 2002

**Seat Front - Trim Code B7**  
**Figure IPL-510**

ITEM	PART NUMBER	QTY	LINE	SERIES	BODY	TRIM	DESCRIPTION
1							CUSHION, Front Seat
	#SL90 1AZAA	1	D, P			B7	Agate, Right
	#SL90 1L5AA	1	D, P			B7	Taupe, Right
	#SL91 1AZAA	1	D, P			B7	Agate, Left
	#SL91 1L5AA	1	D, P			B7	Taupe, Left
2							COVER, Front Seat Cushion
	#SL92 1AZAA	2	D, P			B7	Agate, Right & Left
	#SL92 1L5AA	2	D, P			B7	Taupe, Right & Left
3							SEAT BACK, Front
	#SL18 1AZAA	1	D, P			B7	Agate, Right
	#SL18 1L5AA	1	D, P			B7	Taupe, Right
	#SL19 1AZAA	1	D, P			B7	Agate, Left
	#SL19 1L5AA	1	D, P			B7	Taupe, Left
4							COVER, Front Seat Back
	#SL22 1AZAA	1	D, P			B7	Agate, Right & Left
	#SL22 1L5AA	1	D, P			B7	Taupe, Right & Left
5							HEADREST, Front
	#SL20 1AZAA	1	D, P			B7	Agate, Right & Left
	#SL20 1L5AA	1	D, P			B7	Taupe, Right & Left
6							COVER, Seat Headrest, (NOT SERVICED)
7							SLEEVE, Headrest
	QX11 1AZAA	2	D, P			B7	Agate, w/Release Button
	QX11 1L5AA	2	D, P			B7	Taupe, w/Release Button
	QX12 1AZAA	2	D, P			B7	Agate, w/o Release Button
	QX12 1L5AA	2	D, P			B7	Taupe, w/o Release Button
8							SHIELD, Seat Cushion
	JF76 1AZ	1	D, P			B7	Agate, Right
	JF76 1L5	1	D, P			B7	Taupe, Right
	JF77 1AZ	1	D, P			B7	Agate, Left
	JF77 1L5	1	D, P			B7	Taupe, Left
9							SCREW, Side Shield (10-24x1.030 T-20 Torx), (NOT SERVICED)



**DODGE - PLYMOUTH - CHRYSLER NEON (PL)**

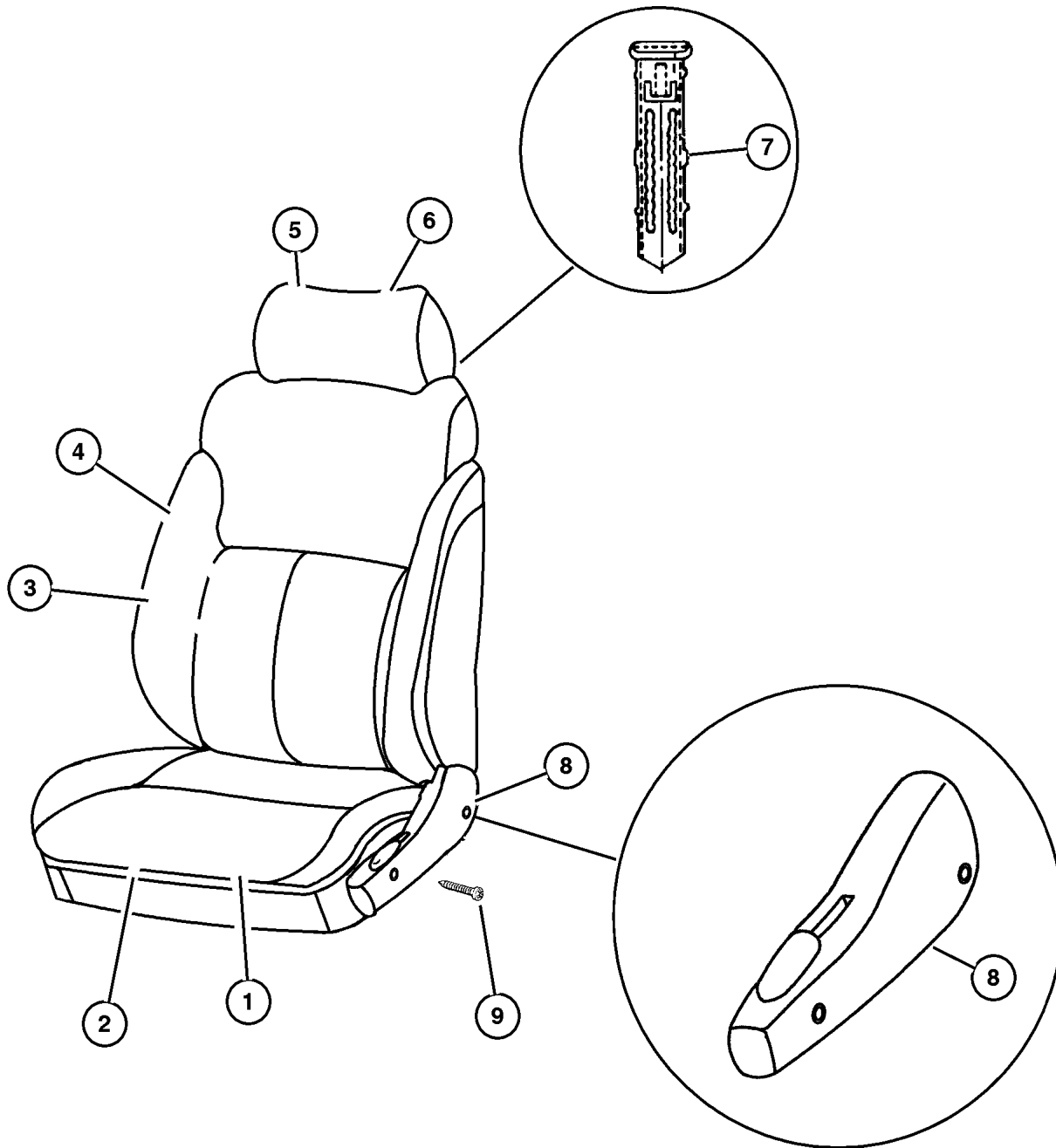
SERIES	LINE	BODY	ENGINE	TRANSMISSION
L=Low Line	Z= RHD	41 = 4 Door, 104.0WB	ECB =2.0L 4 Cyl. SOHC	DD5 = 5 Speed Manual
H=High Line	D= Dodge		EBD = 1.8L 4Cyl SOHC	DGC = 3 Speed Automatic
	D= Chrysler			DG0 = All Automatic
	P= Plymouth			DBB = All Manual

AR = Use as required - = Non illustrated part # = New this model year

May 3, 2002

Seat Front - Trim Code C7  
Figure IPL-515

ITEM	PART NUMBER	QTY	LINE	SERIES	BODY	TRIM	DESCRIPTION
1							CUSHION, Front Seat
	#SL90 1AZAA	1	Z			C7	Agate, Right
		1	D, P			C7	Agate, Right
	#SL90 1L5AA	1	Z			C7	Taupe, Right
		1	D, P			C7	Taupe, Right
	#SL91 1AZAA	1	Z			C7	Agate, Left
		1	D, P			C7	Agate, Left
	#SL91 1L5AA	1	Z			C7	Taupe, Left
		1	D, P			C7	Taupe, Left
2							COVER, Front Seat Cushion
	#SL92 1AZAA	2	Z			C7	Agate, Right & Left
	#SL92 1L5AA	2	Z			C7	Taupe, Right & Left
3							SEAT BACK, Front
	#SL18 1AZAA	1	Z			C7	Agate, Right
		1	D, P			C7	Agate, Right
	#SL18 1L5AA	1	Z			C7	Taupe, Right
		1	D, P			C7	Taupe, Right
	#SL19 1AZAA	1	Z			C7	Agate, Left
		1	D, P			C7	Agate, Left
	#SL19 1L5AA	1	Z			C7	Taupe, Left
		1	D, P			C7	Taupe, Left
4							COVER, Front Seat Back
	#SL22 1AZAA	1	Z			C7	Agate, Right & Left
		1	D, P			C7	Agate, Right & Left
	#SL22 1L5AA	1	Z			C7	Taupe, Right & Left
		1	D, P			C7	Taupe, Right & Left
5							HEADREST, Front
	#SL15 1AZAA	1	Z			C7	Agate, Right & Left
		1	D, P			C7	Agate, Right & Left
	#SL15 1L5AA	1	Z			C7	Taupe, Right & Left
		1	D, P			C7	Taupe, Right & Left
6							COVER, Seat Headrest, (NOT SERVICED)
7							SLEEVE, Headrest
	QX11 1AZAA	2	Z			C7	Agate, w/Release Button
		2	D, P			C7	Agate, w/Release Button
	QX11 1L5AA	2	Z			C7	Taupe, w/Release Button
		2	D, P			C7	Taupe, w/Release Button
	QX12 1AZAA	1	Z			C7	Agate, w/o Release Button
		1	D, P			C7	Agate, w/o Release Button
		2	Z			C7	Taupe, w/o Release Button
		2	D, P			C7	Taupe, w/o Release Button
8							SHIELD, Seat Cushion



DODGE - PLYMOUTH - CHRYSLER NEON (PL)

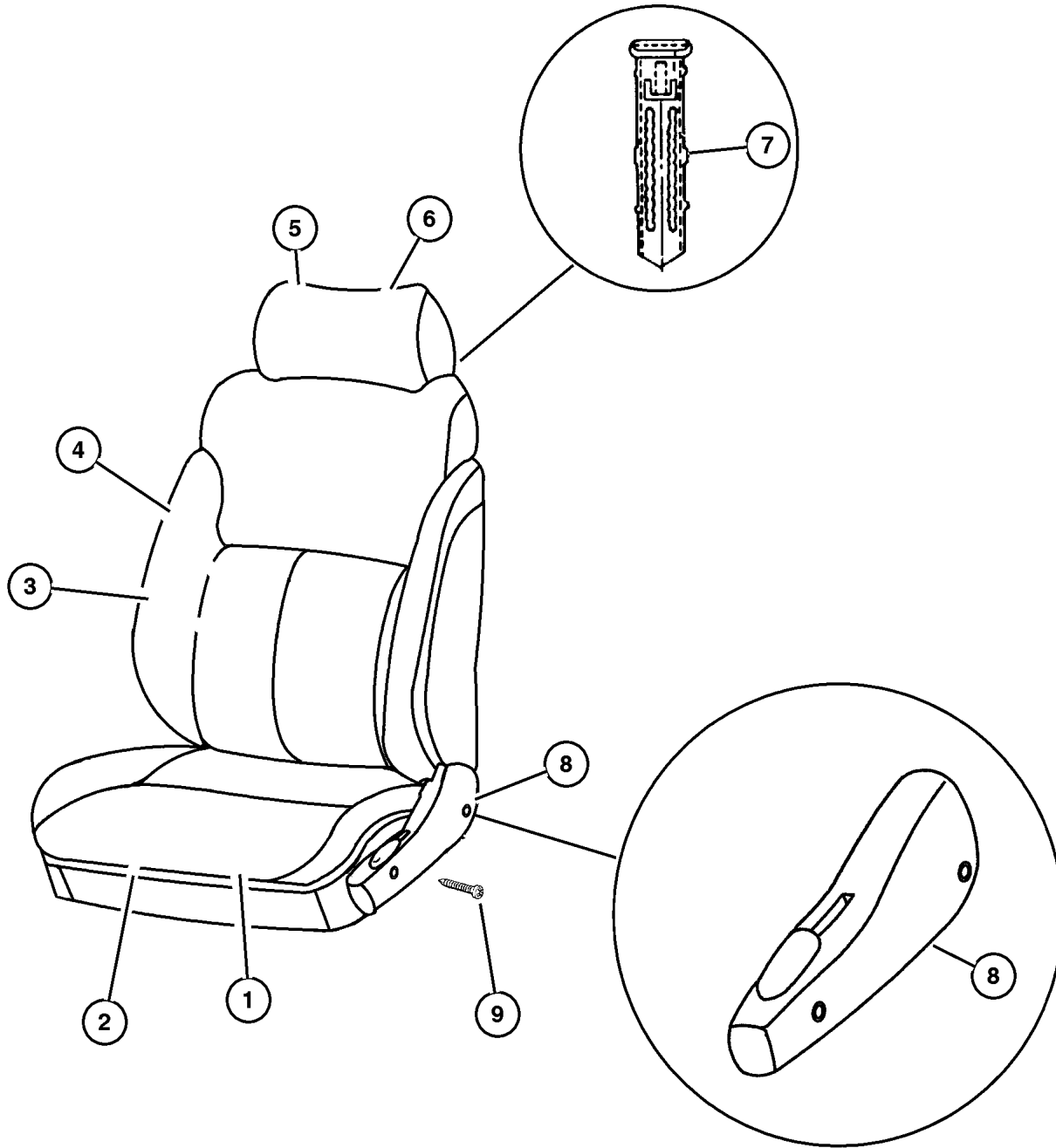
SERIES	LINE	BODY	ENGINE	TRANSMISSION
L=Low Line	Z= RHD	41 = 4 Door, 104.0WB	ECB =2.0L 4 Cyl. SOHC	DD5 = 5 Speed Manual
H=High Line	D= Dodge		EBD = 1.8L 4Cyl SOHC	DGC = 3 Speed Automatic
	D= Chrysler			DG0 = All Automatic
	P= Plymouth			DBB = All Manual

AR = Use as required - = Non illustrated part # = New this model year

May 3, 2002

Seat Front - Trim Code C7  
Figure IPL-515

ITEM	PART NUMBER	QTY	LINE	SERIES	BODY	TRIM	DESCRIPTION
	JF76 1AZ	1	Z			C7	Agate, Right
		1	D, P			C7	Agate, Right
	JF76 1L5	1	Z			C7	Taupe, Right
		1	D, P			C7	Taupe, Right
	JF77 1AZ	1	Z			C7	Agate, Left
		1	D, P			C7	Agate, Left
	JF77 1L5	1	Z			C7	Taupe, Left
		1	D, P			C7	Taupe, Left
9							SCREW, Side Shield (10-24x1.030 T-20 Torx), (NOT SERVICED)



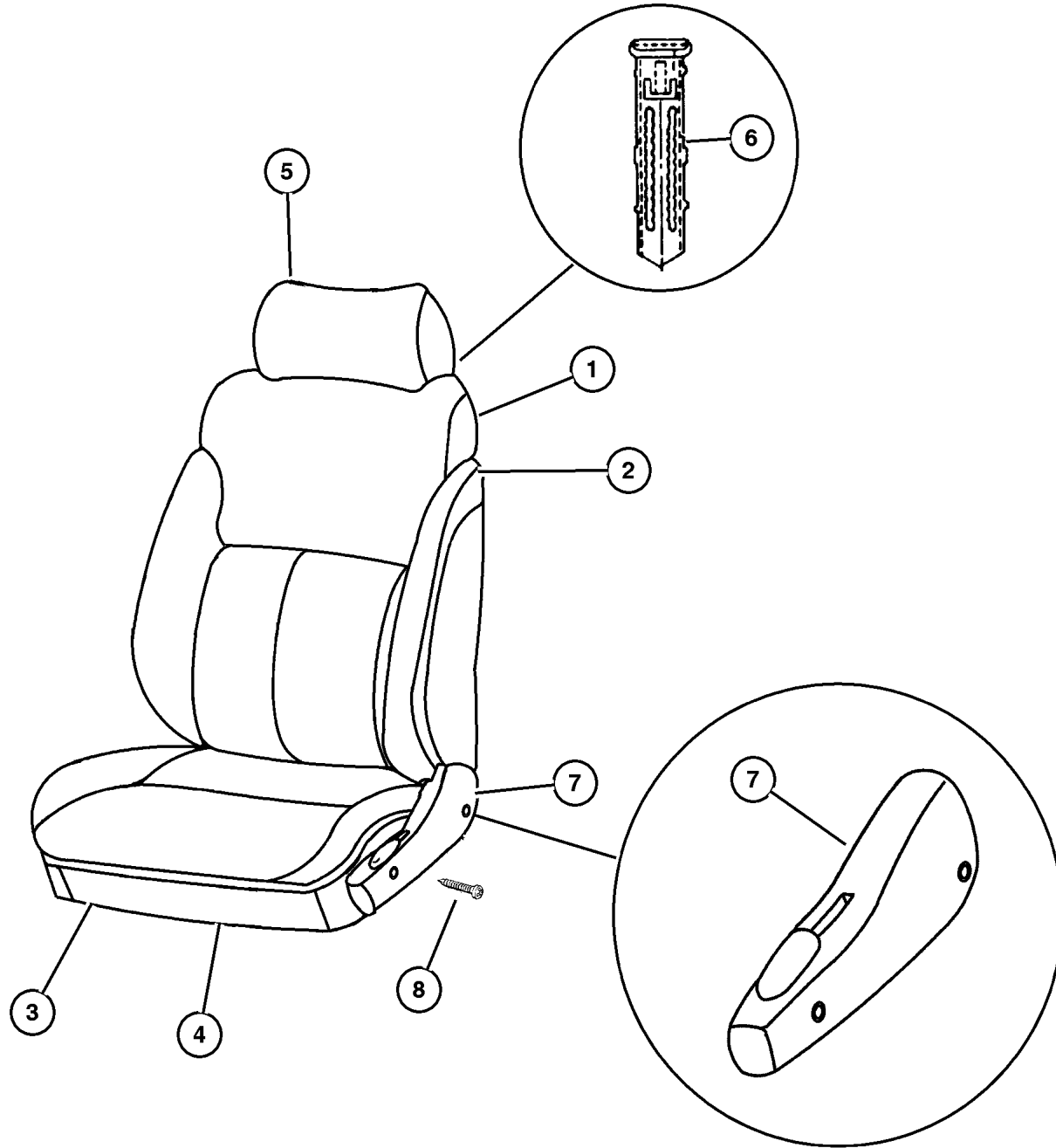
DODGE - PLYMOUTH - CHRYSLER NEON (PL)  
 SERIES LINE BODY ENGINE TRANSMISSION  
 L=Low Line Z=RHD 41 = 4 Door, 104.0WB ECB =2.0L 4 Cyl. SOHC DD5 = 5 Speed Manual  
 H=High Line D= Dodge EBD = 1.8L 4Cyl SOHC DGC = 3 Speed Automatic  
 D= Chrysler DG0 = All Automatic  
 P= Plymouth DBB = All Manual

AR = Use as required - = Non illustrated part # = New this model year

May 3, 2002

**Seat Front - Trim Code CL**  
**Figure IPL-520**

ITEM	PART NUMBER	QTY	LINE	SERIES	BODY	TRIM	DESCRIPTION
1							SEAT BACK, Front
	#TB94 1L5AA	1	Z			CL	Taupe, Right
		1	D, P			CL	Taupe, Right
	#TB95 1L5AA	1	Z			CL	Taupe, Left
		1	D, P			CL	Taupe, Left
2							COVER, Front Seat Back
	#TB96 1L5AA	2	Z			CL	Taupe, Right & Left
		2	D, P			CL	Taupe, Right & Left
3							CUSHION, Front Seat
	#TB92 1L5AA	1	Z			CL	Taupe, Right
		1	D, P			CL	Taupe, Right
	#TB93 1L5AA	1	Z			CL	Taupe, Left
		1	D, P			CL	Taupe, Left
4							COVER, Front Seat Cushion
	#TB98 1L5AA	1	Z			CL	Taupe, Right
		1	D, P			CL	Taupe, Right
	#TB99 1L5AA	1	Z			CL	Taupe, Left
		1	D, P			CL	Taupe, Left
5							HEADREST, Front
	#TC10 1L5AA	2	Z			CL	Taupe
		2	D, P			CL	Taupe
6							SLEEVE, Headrest
	QX11 1L5AA	1	Z			CL	Taupe, w/Release Button
		1	D, P			CL	Taupe, w/Release Button
	QX12 1L5AA	1	Z			CL	Taupe, w/o Release Button
		1	D, P			CL	Taupe, w/o Release Button
7							SHIELD, Seat Cushion
	JF76 1L5	1	Z			CL	Taupe, Right
		1	D, P			CL	Taupe, Right
	JF77 1L5	1	Z			CL	Taupe, Left
		1	D, P			CL	Taupe, Left
8							SCREW, (NOT SERVICED)



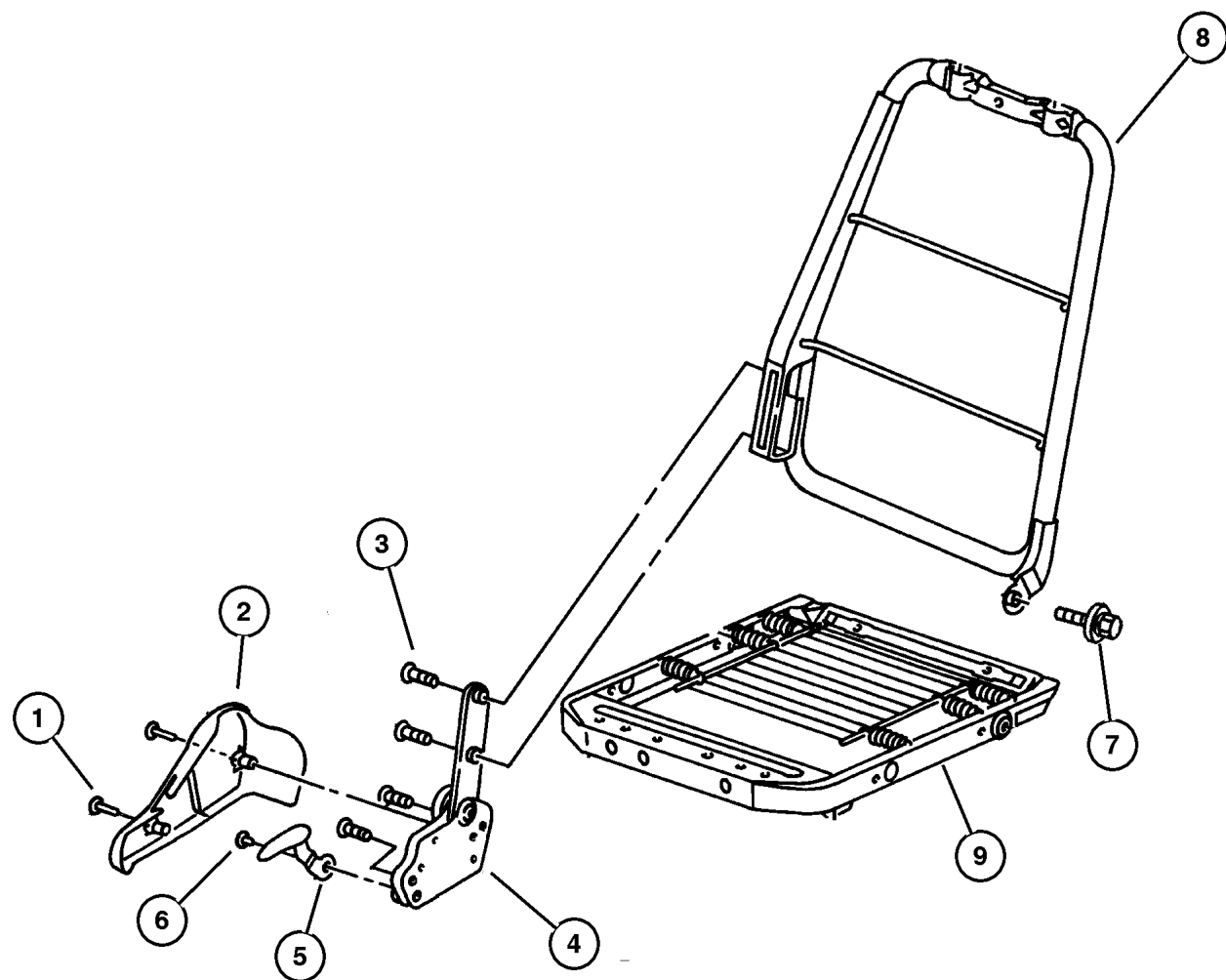
**DODGE - PLYMOUTH - CHRYSLER NEON (PL)**

SERIES	LINE	BODY	ENGINE	TRANSMISSION
L=Low Line	Z= RHD	41 = 4 Door, 104.0WB	ECB =2.0L 4 Cyl. SOHC	DD5 = 5 Speed Manual
H=High Line	D= Dodge		EBD = 1.8L 4Cyl SOHC	DGC = 3 Speed Automatic
	D= Chrysler			DG0 = All Automatic
	P= Plymouth			DBB = All Manual

AR = Use as required - = Non illustrated part # = New this model year

May 3, 2002

## Seat Reclining - Attaching Parts Figure IPL-525



ITEM	PART NUMBER	QTY	LINE	SERIES	BODY	TRIM	DESCRIPTION
1							SCREW, Side Shield Attaching (10-24x1.030 T-20 Torx), (NOT SERVICED)
2							SHIELD, Seat Cushion
	JF76 1AZ	1	Z			C7	Agate, Right
		1	Z			K7	Agate, Right
		1	D, P			C7	Agate, Right
		1	D, P			B7	Agate, Right
		1	D, P			K7	Agate, Right
	JF76 1L5	1	Z			C7	Taupe, Right
		1	Z			CL	Taupe, Right
		1	D, P			C7	Taupe, Right
		1	D, P			B7	Taupe, Right
		1	D, P			K7	Taupe, Right
	JF77 1AZ	1	D, P			CL	Taupe, Right
		1	Z			C7	Agate, Left
		1	Z			K7	Agate, Left
		1	D, P			C7	Agate, Left
		1	D, P			B7	Agate, Left
	JF77 1L5	1	D, P			K7	Agate, Left
		1	Z			C7	Taupe, Left
		1	Z			CL	Taupe, Left
		1	D, P			C7	Taupe, Left
		1	D, P			B7	Taupe, Left
		1	D, P			K7	Taupe, Left
		1	D, P			CL	Taupe, Left
3							BOLT, Recliner
	4746 997	1	Z			C7	Attaching
		1	Z			K7	Attaching
		1	Z			CL	Attaching
		1	D, P			C7	Attaching
		1	D, P			B7	Attaching
		1	D, P			K7	Attaching
		1	D, P			CL	Attaching
4							RECLINER, Seat Back
	4797 318	1	Z			C7	Right
		1	Z			CL	Right
		1	D, P			C7	Right
		1	D, P			B7	Right
		1	D, P			K7	Right
		1	D, P			CL	Right
	4797 319	1	Z			C7	Left
		1	Z			CL	Left

**DODGE - PLYMOUTH - CHRYSLER NEON (PL)**

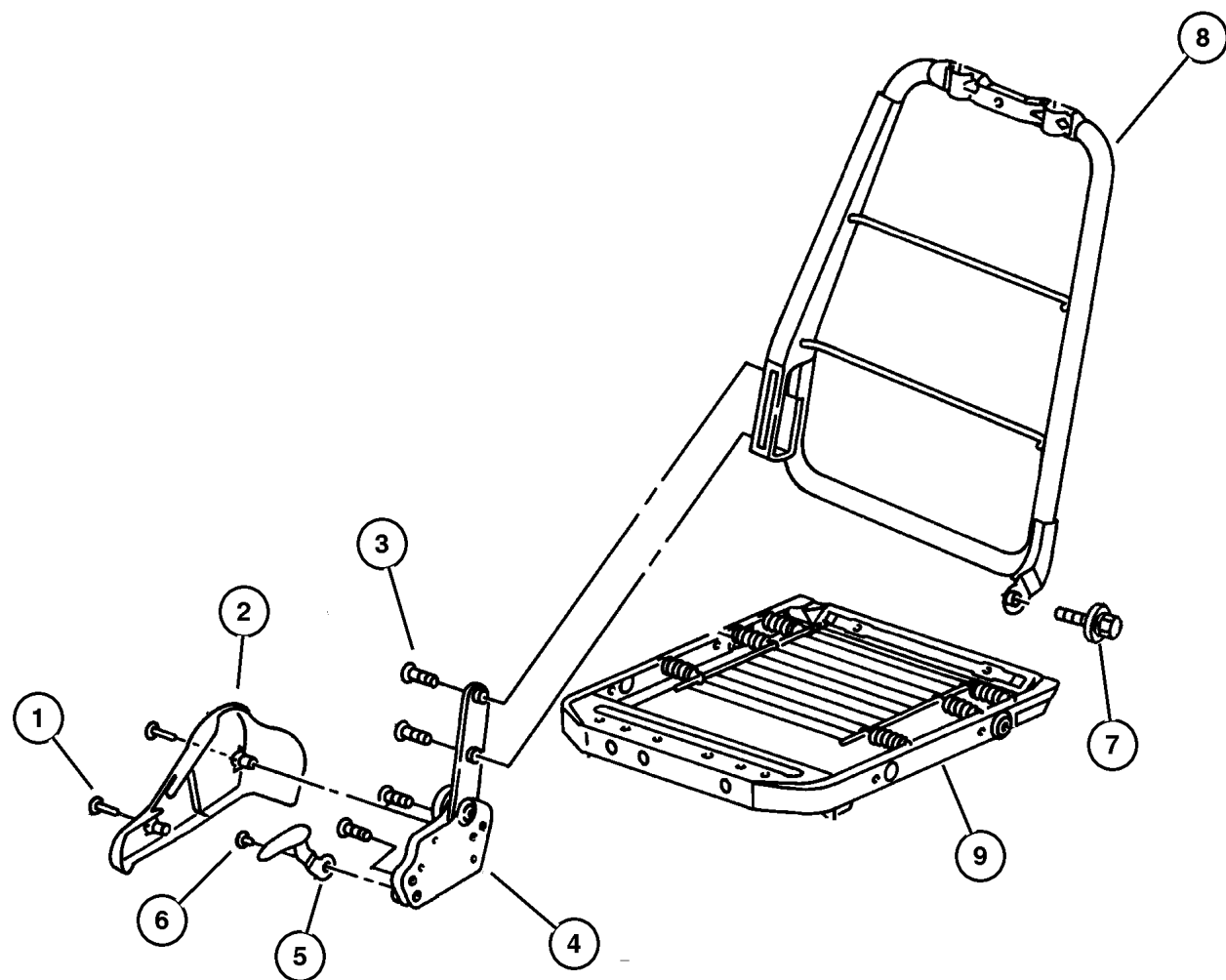
SERIES	LINE	BODY	ENGINE	TRANSMISSION
L=Low Line	Z= RHD	41 = 4 Door, 104.0WB	ECB =2.0L 4 Cyl. SOHC	DD5 = 5 Speed Manual
H=High Line	D= Dodge		EBD = 1.8L 4Cyl SOHC	DGC = 3 Speed Automatic
	D= Chrysler			DG0 = All Automatic
	P= Plymouth			DBB = All Manual

AR = Use as required - = Non illustrated part # = New this model year

May 3, 2002



## Seat Reclining - Attaching Parts Figure IPL-525



ITEM	PART NUMBER	QTY	LINE	SERIES	BODY	TRIM	DESCRIPTION
		1	D, P			C7	Left
		1	D, P			B7	Left
		1	D, P			K7	Left
		1	D, P			CL	Left
5							HANDLE, Recliner
	4740 986	1	Z			C7	Right
		1	Z			K7	Right
		1	Z			CL	Right
		1	D, P			C7	Right
		1	D, P			B7	Right
		1	D, P			K7	Right
		1	D, P			CL	Right
	4740 987	1	Z			C7	Left
		1	Z			K7	Left
		1	Z			CL	Left
		1	D, P			C7	Left
		1	D, P			B7	Left
		1	D, P			K7	Left
		1	D, P			CL	Left
6							SCREW, Recliner Handle (M6x10-T30 Torx), (NOT SERVICED)
7							BOLT, Adjuster Shoulder
	4874 140	1	Z			C7	
		2	Z			K7	
		1	D, P			C7	
		1	D, P			B7	
		2	D, P			K7	
8							FRAME, Front Seat Back, Serviced In Seat Back Assembly, (NOT SERVICED)
9							FRAME, Front Seat Cushion, Serviced In Seat Cushion Assembly, (NOT SERVICED)

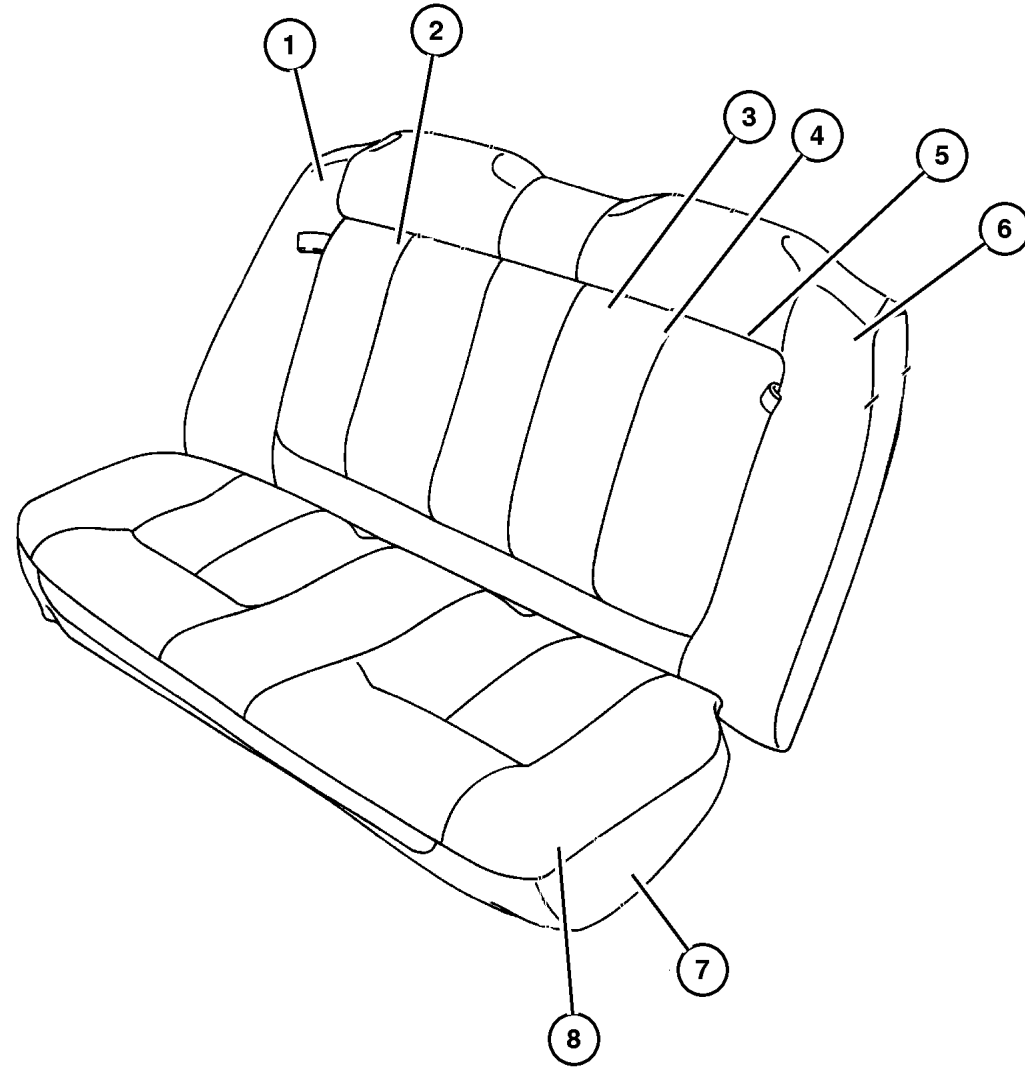
**DODGE - PLYMOUTH - CHRYSLER NEON (PL)**

SERIES	LINE	BODY	ENGINE	TRANSMISSION
L=Low Line	Z= RHD	41 = 4 Door, 104.0WB	ECB =2.0L 4 Cyl. SOHC	DD5 = 5 Speed Manual
H=High Line	D= Dodge		EBD = 1.8L 4Cyl SOHC	DGC = 3 Speed Automatic
	D= Chrysler			DG0 = All Automatic
	P= Plymouth			DBB = All Manual

AR = Use as required - = Non illustrated part # = New this model year

May 3, 2002

Seat Rear - Trim Code K7  
Figure IPL-605



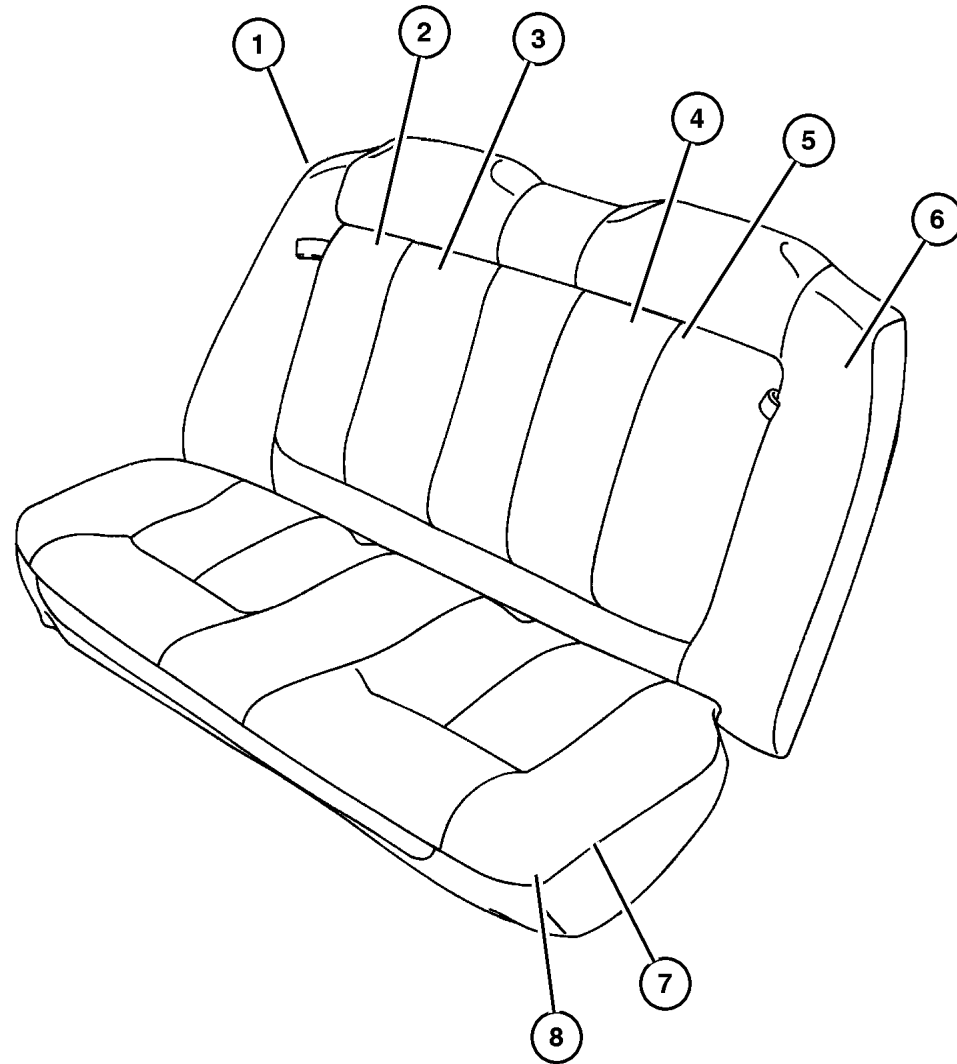
ITEM	PART NUMBER	QTY	LINE	SERIES	BODY	TRIM	DESCRIPTION
1							SEAT BACK, Rear, Full Rear Seat Back
	#SL58 1AZAA	1	D, P			K7	Agate
		1	Z			K7	Agate
	#SL58 1L5AA	1	D, P			K7	Taupe
2							SEAT BACK, Rear, 60%
	#SL60 1AZAA	1	D, P			K7	Agate
		1	Z			K7	Agate
	#SL60 1L5AA	1	D, P			K7	Taupe
3							SEAT BACK, Rear, 40%
	#SL59 1AZAA	1	D, P			K7	Agate
		1	Z			K7	Agate
	#SL59 1L5AA	1	D, P			K7	Taupe
4							COVER, Rear Seat Back, 60% Side, (NOT SERVICED)
5							COVER, Rear Seat Back, 40 % Side, (NOT SERVICED)
6							COLLAR, Rear Seat Back
	#SL62 1AZAA	1	D, P			K7	Agate
		1	Z			K7	Agate
	#SL62 1L5AA	1	D, P			K7	Taupe
7							CUSHION, Rear Seat
	#SL57 1AZAA	1	D, P			K7	Agate
		1	Z			K7	Agate
	#SL57 1L5AA	1	D, P			K7	Taupe
8							COVER, Rear Seat Cushion
	#SL63 1AZAA	1	D, P			K7	Agate
		1	Z			K7	Agate
	#SL63 1L5AA	1	D, P			K7	Taupe

DODGE - PLYMOUTH - CHRYSLER NEON (PL)  
 SERIES LINE BODY ENGINE TRANSMISSION  
 L=Low Line Z= RHD 41 = 4 Door, 104.0WB ECB =2.0L 4 Cyl. SOHC DD5 = 5 Speed Manual  
 H=High Line D= Dodge EBD = 1.8L 4Cyl SOHC DGC = 3 Speed Automatic  
 D= Chrysler DBB = All Manual  
 P= Plymouth

AR = Use as required - = Non illustrated part # = New this model year

May 3, 2002

Seat Rear - Trim Code B7  
Figure IPL-610



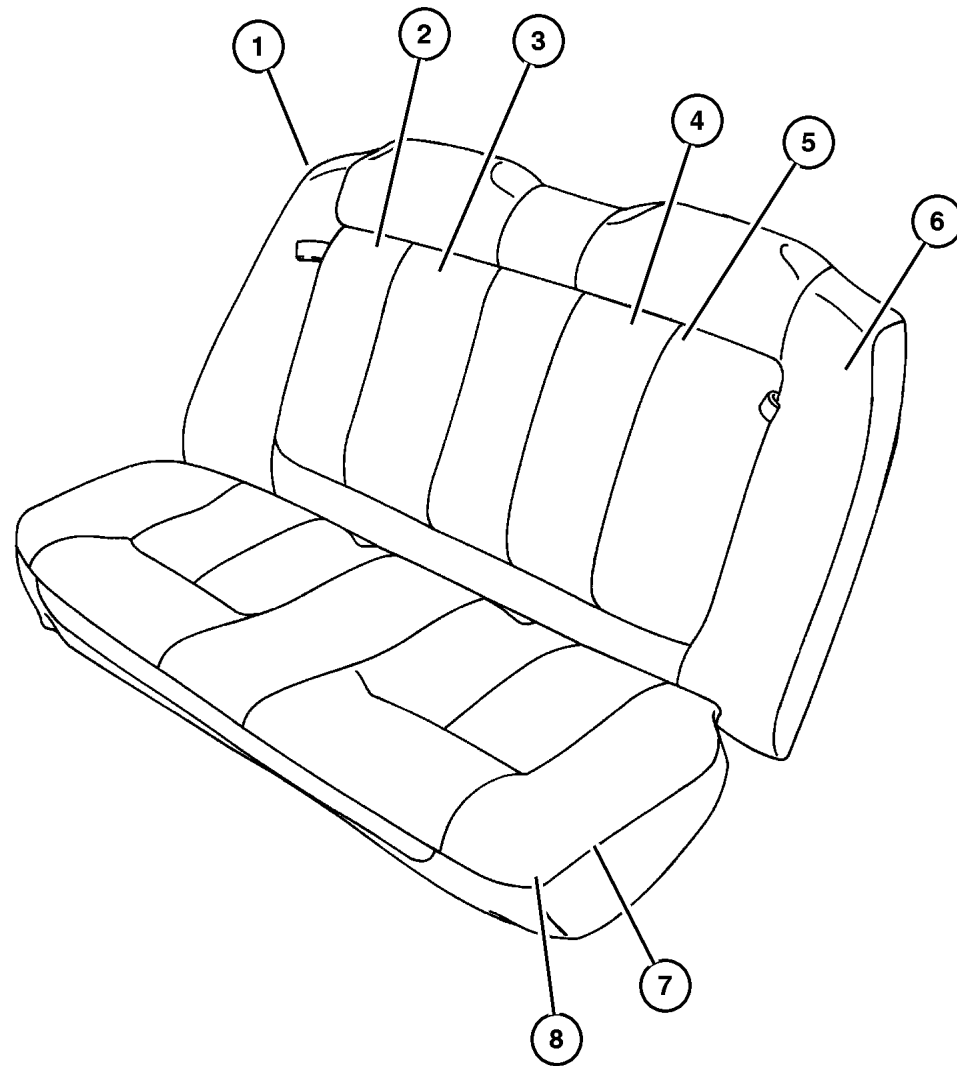
ITEM	PART NUMBER	QTY	LINE	SERIES	BODY	TRIM	DESCRIPTION
1							SEAT BACK, Rear, Complete
	#SL23 1AZAA	1	D, P			B7	Agate
	#SL23 1L5AA	1	D, P			B7	Taupe
2							SEAT BACK, Rear, 40%
	#SL25 1AZAA	1	D, P			B7	Agate
	#SL25 1L5AA	1	D, P			B7	Taupe
3							COVER, Rear Seat Back, 40 % Side, (NOT SERVICED)
4							SEAT BACK, Rear, 60%
	#SL27 1AZAA	1	D, P			B7	Agate
	#SL27 1L5AA	1	D, P			B7	Taupe
5							COVER, Rear Seat Back, 60 % Side, (NOT SERVICED)
6							COLLAR, Rear Seat Back
	#SL28 1AZAA	1	D, P			B7	Agate
	#SL28 1L5AA	1	D, P			B7	Taupe
7							CUSHION, Rear Seat
	#SL24 1AZAA	1	D, P			B7	Agate
	#SL24 1L5AA	1	D, P			B7	Taupe
8							COVER, Rear Seat Cushion
	#SL29 1AZAA	1	D, P			B7	Agate
	#SL29 1L5AA	1	D, P			B7	Taupe

DODGE - PLYMOUTH - CHRYSLER NEON (PL)  
 SERIES LINE BODY ENGINE TRANSMISSION  
 L=Low Line Z= RHD 41 = 4 Door, 104.0WB ECB =2.0L 4 Cyl. SOHC DD5 = 5 Speed Manual  
 H=High Line D= Dodge EBD = 1.8L 4Cyl SOHC DGC = 3 Speed Automatic  
 D= Chrysler DG0 = All Automatic  
 P= Plymouth DBB = All Manual

AR = Use as required - = Non illustrated part # = New this model year

May 3, 2002

Seat Rear - Trim Code C7  
Figure IPL-615



ITEM	PART NUMBER	QTY	LINE	SERIES	BODY	TRIM	DESCRIPTION
1							SEAT BACK, Rear, Complete
	#SL23 1AZAA	1	Z			C7	Agate
		1	D, P			C7	Agate
	#SL23 1L5AA	1	Z			C7	Taupe
		1	D, P			C7	Taupe
2							SEAT BACK, Rear, 40%
	#SL25 1AZAA	1	Z			C7	Agate
		1	D, P			C7	Agate
	#SL25 1L5AA	1	Z			C7	Taupe
		1	D, P			C7	Taupe
3							COVER, Rear Seat Back, 40 % Side, (NOT SERVICED)
4							SEAT BACK, Rear, 60%
	#SL27 1AZAA	1	Z			C7	Agate
		1	D, P			C7	Agate
	#SL27 1L5AA	1	Z			C7	Taupe
		1	D, P			C7	Taupe
5							COVER, Rear Seat Back, 60 % Side, (NOT SERVICED)
6							COLLAR, Rear Seat Back
	#SL28 1AZAA	1	Z			C7	Agate
		1	D, P			C7	Agate
	#SL28 1L5AA	1	Z			C7	Taupe
		1	D, P			C7	Taupe
7							CUSHION, Rear Seat
	#SL24 1AZAA	1	Z			C7	Agate
		1	D, P			C7	Agate
	#SL24 1L5AA	1	Z			C7	Taupe
		1	D, P			C7	Taupe
8							COVER, Rear Seat Cushion
	#SL29 1AZAA	1	Z			C7	Agate
		1	D, P			C7	Agate
	#SL29 1L5AA	1	Z			C7	Taupe
		1	D, P			C7	Taupe
-9							HEADREST, Rear
	#SL38 1AZAA	1	Z			C7	Agate
		1	D, P			C7	Agate
	#SL38 1L5AA	1	Z			C7	Taupe
		1	D, P			C7	Taupe
-10							SLEEVE, Headrest
	QX11 1AZAA	2	Z			C7	Agate, w/Release Button
		2	D, P			C7	Agate, w/Release Button

DODGE - PLYMOUTH - CHRYSLER NEON (PL)

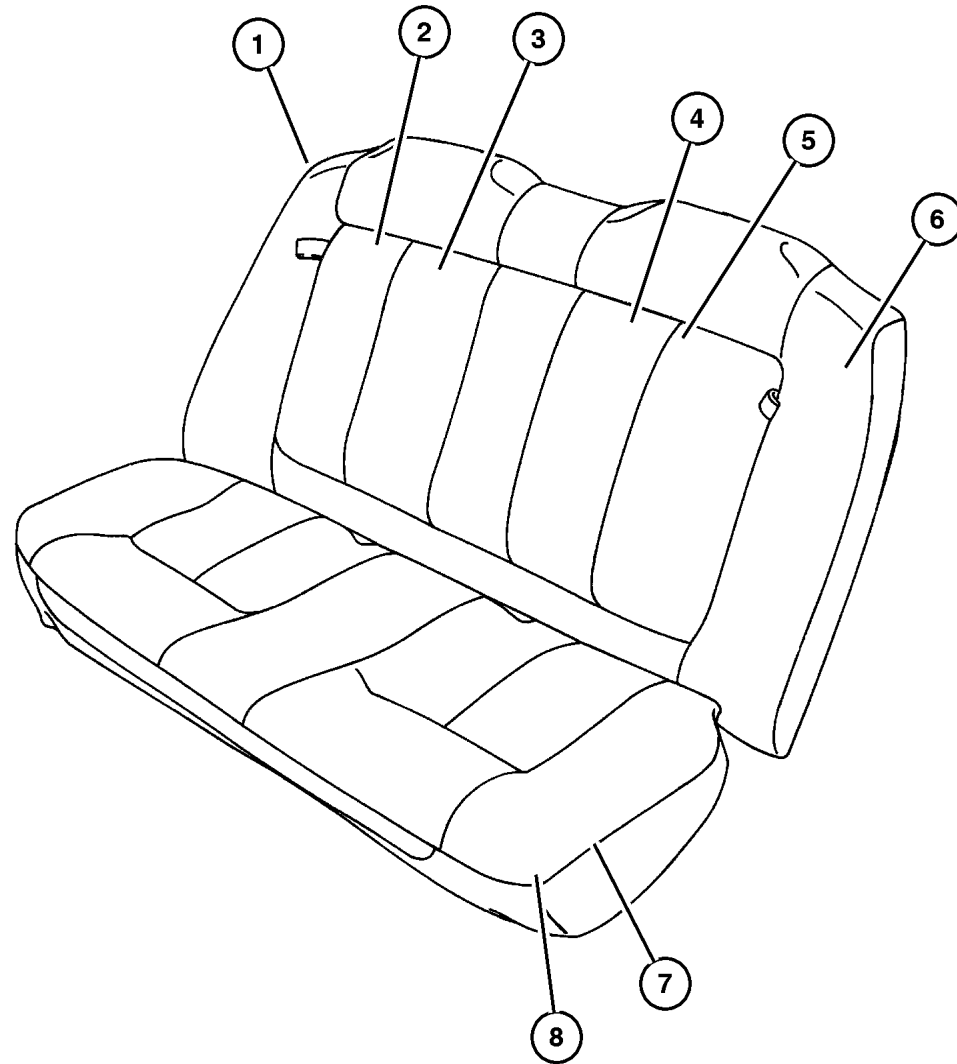
SERIES	LINE	BODY	ENGINE	TRANSMISSION
L=Low Line	Z= RHD	41 = 4 Door, 104.0WB	ECB =2.0L 4 Cyl. SOHC	DD5 = 5 Speed Manual
H=High Line	D= Dodge		EBD = 1.8L 4Cyl SOHC	DGC = 3 Speed Automatic
	D= Chrysler			DG0 = All Automatic
	P= Plymouth			DBB = All Manual

AR = Use as required - = Non illustrated part # = New this model year

May 3, 2002

Seat Rear - Trim Code C7  
Figure IPL-615

ITEM	PART NUMBER	QTY	LINE	SERIES	BODY	TRIM	DESCRIPTION
	QX11 1L5AA	2	Z			C7	Taupe, w/Release Button
		2	D, P			C7	Taupe, w/Release Button
	QX12 1AZAA	1	Z			C7	Agate, w/o Release Button
		1	D, P			C7	Agate, w/o Release Button
	QX12 1L5AA	1	D, P			C7	Taupe, w/o Release Button
		2	D, P			C7	Taupe, w/o Release Button

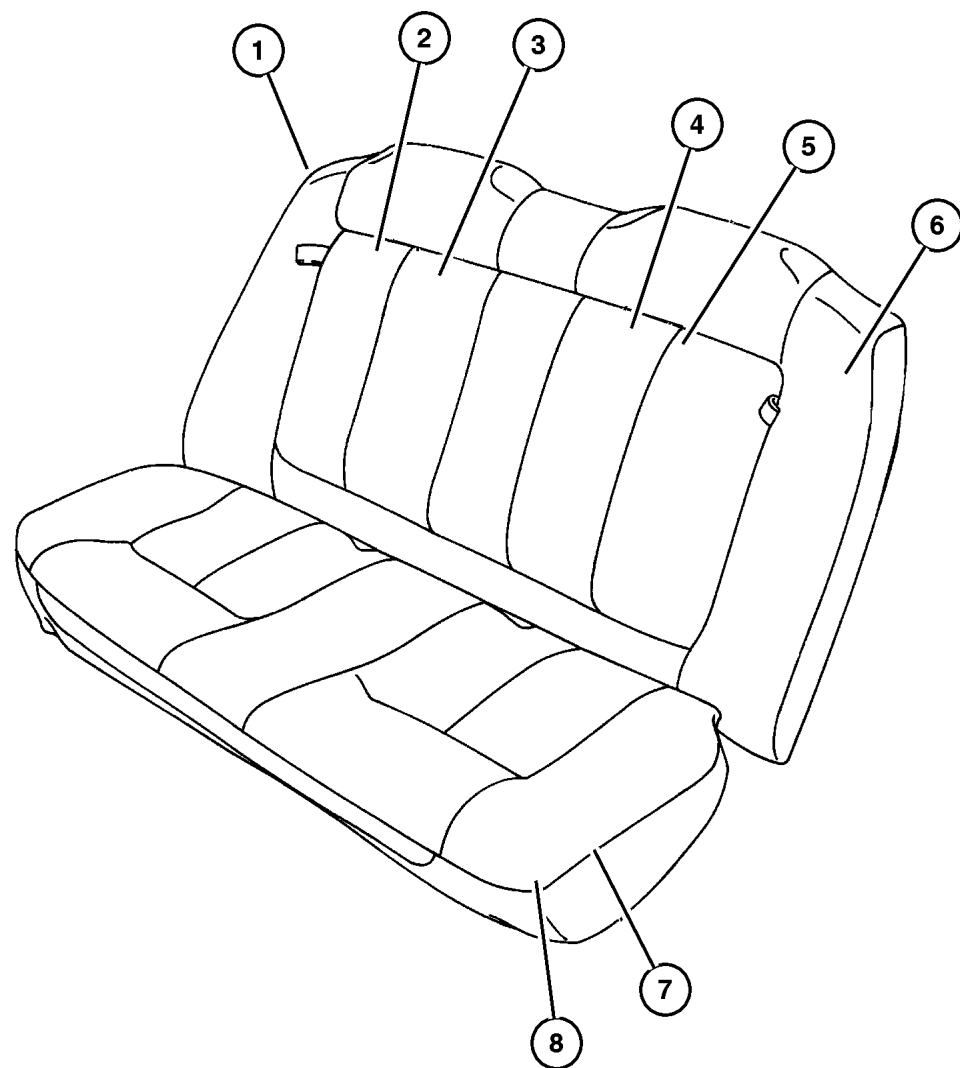


DODGE - PLYMOUTH - CHRYSLER NEON (PL)  
 SERIES LINE BODY ENGINE TRANSMISSION  
 L=Low Line Z=RHD 41 = 4 Door, 104.0WB ECB =2.0L 4 Cyl. SOHC DD5 = 5 Speed Manual  
 H=High Line D= Dodge EBD = 1.8L 4Cyl SOHC DGC = 3 Speed Automatic  
 D= Chrysler DG0 = All Automatic  
 P= Plymouth DBB = All Manual

AR = Use as required - = Non illustrated part # = New this model year

May 3, 2002

Seat Rear - Trim Code CL  
Figure IPL-620



ITEM	PART NUMBER	QTY	LINE	SERIES	BODY	TRIM	DESCRIPTION
1							SEAT BACK, Rear, Complete
	#TC00 1L5AA	1	Z			CL	Taupe
		1	D, P			CL	Taupe
2							SEAT BACK, Rear, 40%
	#TC01 1L5AA	1	Z			CL	Taupe
		1	D, P			CL	Taupe
3							COVER, Rear Seat Back, 40 % Side, (NOT SERVICED)
4							SEAT BACK, Rear, 60%
	#TC02 1L5AA	1	Z			CL	Taupe
		1	D, P			CL	Taupe
5							COVER, Rear Seat Back, 60 % Side, (NOT SERVICED)
6							COLLAR, Rear Seat Back
	#TC03 1L5AA	1	Z			CL	Taupe
		1	D, P			CL	Taupe
7							CUSHION, Rear Seat
	#TB97 1L5AA	1	Z			CL	Taupe
		1	D, P			CL	Taupe
8							COVER, Rear Seat Cushion
	#TC04 1L5AA	1	Z			CL	Taupe
		1	D, P			CL	Taupe
-9							HEADREST, Rear
	#TC05 1L5AA	1	Z			CL	Beige
		1	D, P			CL	Beige
-10							SLEEVE, Headrest
	QX11 1L5AA	1	Z			CL	Taupe, w/Release Button
		1	D, P			CL	Taupe, w/Release Button
	QX12 1L5AA	1	Z			CL	Taupe, w/o Release Button
		1	D, P			CL	Taupe, w/o Release Button

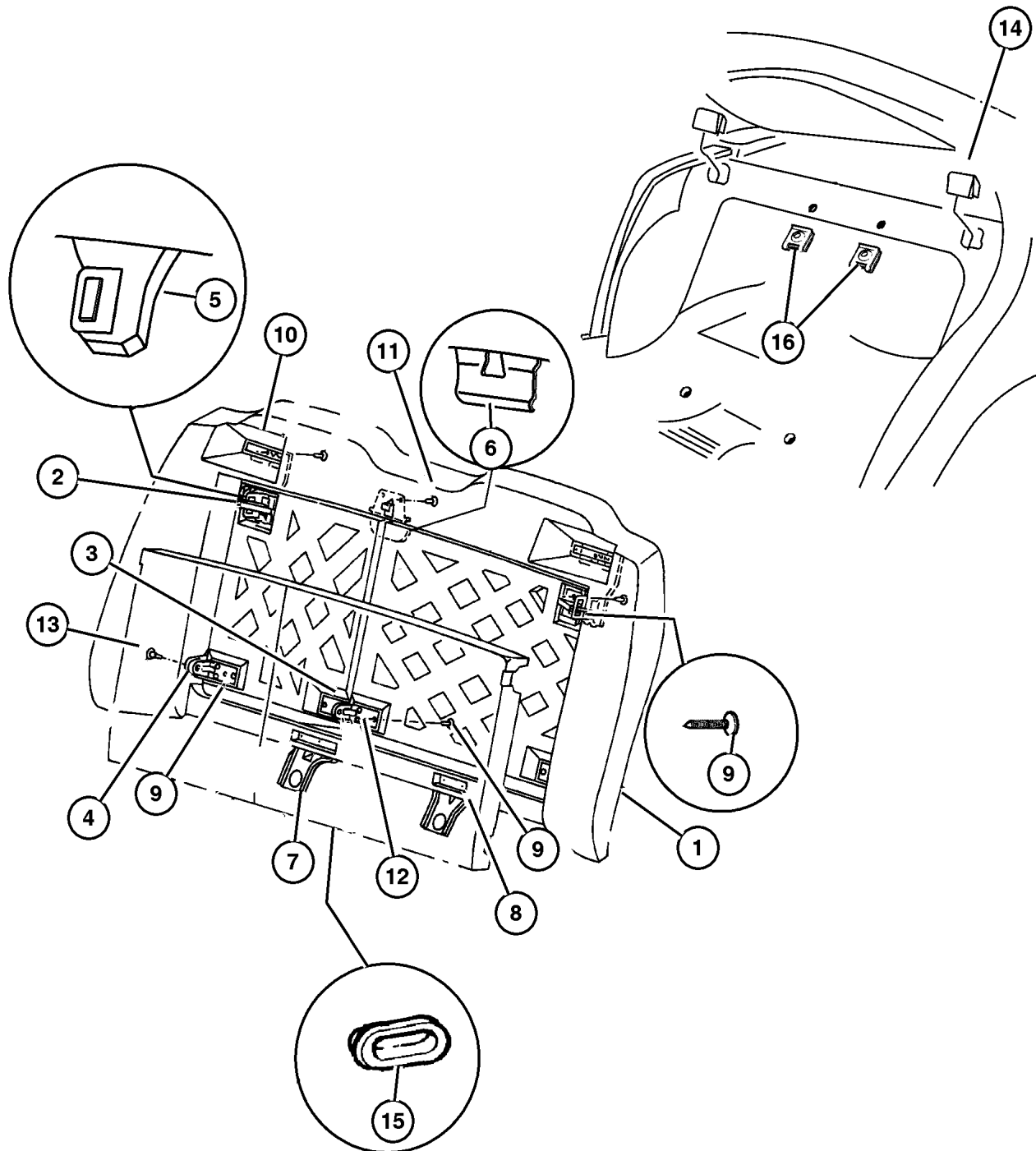
DODGE - PLYMOUTH - CHRYSLER NEON (PL)  
 SERIES LINE BODY ENGINE TRANSMISSION  
 L=Low Line Z= RHD 41 = 4 Door, 104.0WB ECB =2.0L 4 Cyl. SOHC DD5 = 5 Speed Manual  
 H=High Line D= Dodge EBD = 1.8L 4Cyl SOHC DGC = 3 Speed Automatic  
 D= Chrysler DG0 = All Automatic  
 P= Plymouth DBB = All Manual

AR = Use as required - = Non illustrated part # = New this model year

May 3, 2002

## Seat Rear - Attaching Parts Figure IPL-625

ITEM	PART NUMBER	QTY	LINE	SERIES	BODY	TRIM	DESCRIPTION	
1							COLLAR, Rear Seat Back	
	#SL28 1AZAA	1	Z			C7	Agate	
		1	D, P			C7	Agate	
	#SL28 1L5AA	1	D, P			B7	Agate	
		1	Z			C7	Taupe	
	#SL62 1AZAA	1	D, P			C7	Taupe	
		1	D, P			B7	Taupe	
		1	D, P			K7	Agate	
		1	Z			K7	Agate	
	#SL62 1L5AA	1	D, P			K7	Taupe	
						LATCH, Seat		
2	JY05 1AZ	1	D, P			C7	Agate	
		1	Z			C7	Agate	
	JY05 1L5	1	D, P			B7	Agate	
		1	D, P			C7	Taupe	
	3	4741 252	1	Z			C7	Taupe
			1	D, P			B7	Taupe
			1	D, P			C7	Taupe
			1	D, P			B7	Taupe
4	4741 253	1	D, P			CL	Taupe	
								BRACKET, Inboard Pivot, 40 % Side
		1	D, P			C7		
		1	Z			C7		
5	#5011 382AA	1	D, P			B7		
		1	D, P			K7		
		1	D, P			K7		
		1	Z			K7		
6	4797 697	1	D, P			CL		
		1	Z			CL		
		1	D, P			B7		
		1	D, P			K7		



**DODGE - PLYMOUTH - CHRYSLER NEON (PL)**

SERIES	LINE	BODY	ENGINE	TRANSMISSION
L=Low Line	Z= RHD	41 = 4 Door, 104.0WB	ECB =2.0L 4 Cyl. SOHC	DD5 = 5 Speed Manual
H=High Line	D= Dodge		EBD = 1.8L 4Cyl SOHC	DGC = 3 Speed Automatic
	D= Chrysler			DG0 = All Automatic
	P= Plymouth			DBB = All Manual

AR = Use as required - = Non illustrated part # = New this model year

May 3, 2002

### Seat Rear - Attaching Parts Figure IPL-625

ITEM	PART NUMBER	QTY	LINE	SERIES	BODY	TRIM	DESCRIPTION
		1	Z			K7	
7	4741 261	1	D, P			C7	BRACKET, Lower Pivot
		1	Z			C7	
		1	D, P			B7	
		1	D, P			K7	
		1	Z			K7	
8	4741 257	1	D, P			C7	BRACKET, Seat
		1	Z			C7	
		1	D, P			B7	
		1	D, P			K7	
		1	Z			K7	
9	4741 274	1	D, P			C7	SCREW, Torx Head, .25-20x.75
		1	Z			C7	
		1	D, P			B7	
		1	D, P			K7	
		1	Z			K7	
10	4761 016	1	D, P			C7	COVER, Plastic Collar Right
		1	Z			C7	Right
		1	D, P			B7	Right
		1	D, P			K7	Right
		1	Z			K7	Right
	4761 017	1	D, P			C7	Left
		1	Z			C7	Left
		1	D, P			B7	Left
		1	D, P			K7	Left
		1	Z			K7	Left
11	4741 274	1	D, P			C7	SCREW, Torx Head, .25-20x.75
		1	Z			C7	
		1	D, P			B7	
		1	D, P			K7	
		1	Z			K7	
12	4741 256	1	D, P			C7	BRACKET, Inboard Pivot
		1	Z			C7	
		1	D, P			B7	
		1	D, P			K7	
		1	Z			K7	
13		1	Z			K7	BOLT, Shoulder

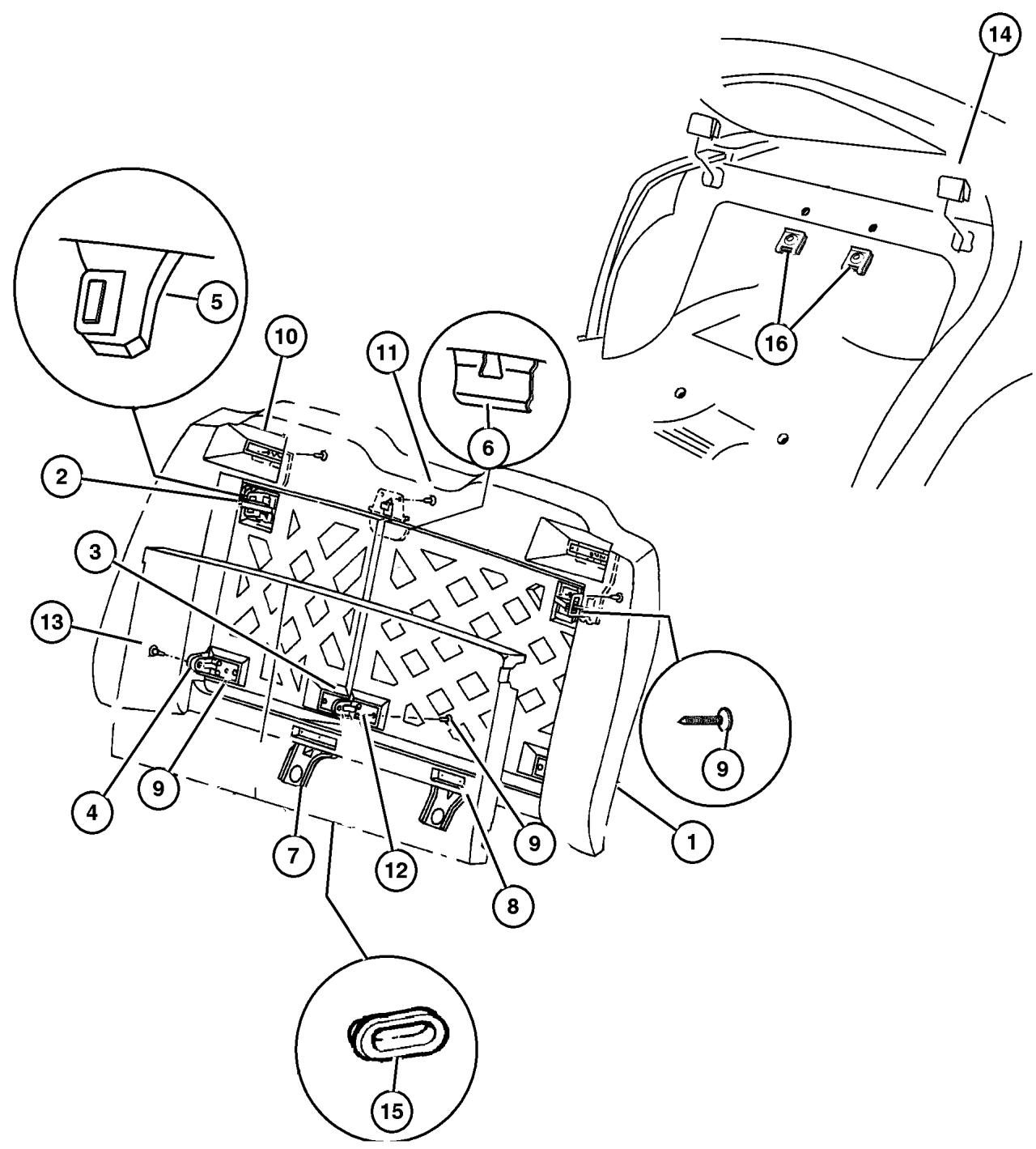
**DODGE - PLYMOUTH - CHRYSLER NEON (PL)**

SERIES	LINE	BODY	ENGINE
L=Low Line	Z= RHD	41 = 4 Door, 104.0WB	ECB =2.0L 4 Cyl. SOHC
H=High Line	D= Dodge		EBD = 1.8L 4Cyl SOHC
	D= Chrysler		
	P= Plymouth		

TRANSMISSION  
DD5 = 5 Speed Manual  
DGC = 3 Speed Automatic  
DG0 = All Automatic  
DBB = All Manual

AR = Use as required - = Non illustrated part # = New this model year

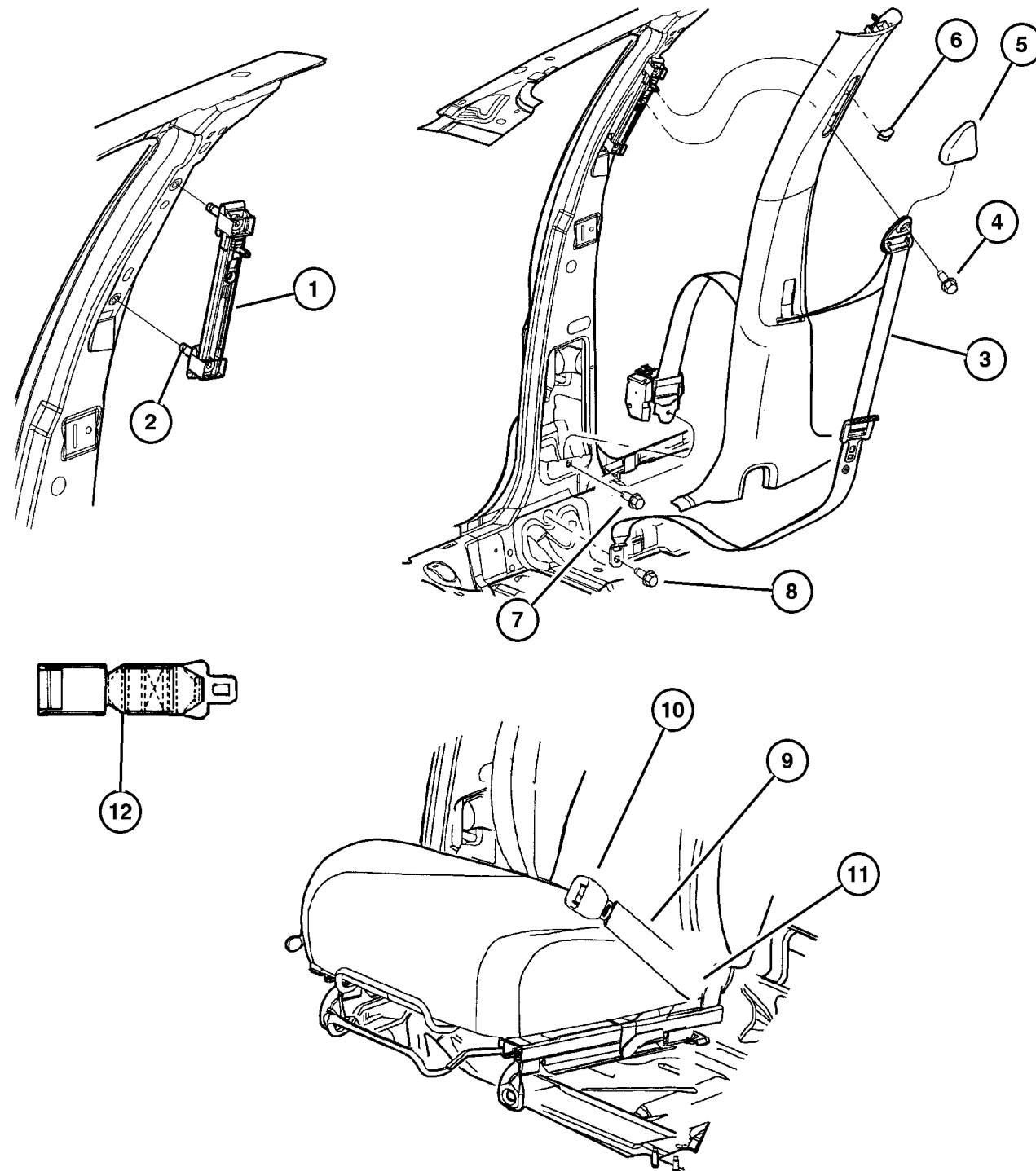
May 3, 2002







## Seat Belts - Front Figure IPL-710



ITEM	PART NUMBER	QTY	LINE	SERIES	BODY	TRIM	DESCRIPTION
1	#4645 950AB	2					ADJUSTER, Seat Belt Turning Loop
2							BOLT, Serviced With Item 1, (NOT SERVICED)
3							SEAT BELT, Front Outer
	#PZ96 DX9AB	1	D, P				Black, Middle East Equipment, Right
	#SW87 DX9AA	1	D, P				Black, Middle East Equipment, Left
	#PZ96 DX9AB	1	Z				Black, Right
	#PZ97 DX9AB	1	Z				Black, Left
	#QQ52 DX9AB	1	Z				Black, Japan Equipment, Right
	#PZ94 1AZ	1	D, P				Agate, Right
	#PZ94 1L5	1	D, P				Taupe, Right
	#PZ95 1AZ	1	D, P				Agate, Left
	#PZ95 1L5	1	D, P				Taupe, Left
	#TF46 1AZAA	1	D, P				Agate, (Mexico), Right
	#TF46 1L5AA	1	D, P				Taupe, (Mexico), Right
4	#6506 238AA	2					SCREW, Pan Head, Turn Loop Attachment Front
5							COVER, Adjustable Turning Loop
	JV77 LAZ	2	D, P				Agate, (AZ)
	JV77 TL2	2					Neutral Beige
	JV77 WL5	2	D, P				Taupe, (L5)
6	4645 780	2					KNOB, Seat Belt Adjuster
7	6504 542	2					SCREW, 6 Lobed
8	6504 973AA	2					SCREW, Seat Belt Attaching
9							SEAT BELT, Front Inner
	4864 880	1	D, P			C7	Black
		1	Z			C7	Black
		1	D, P			K7	Black, (European)
		1	Z			K7	Black
10							SEAT BELT, Buckle Half
	#SL39 1AZAA	1	D, P			B7	Agate, Inner
		1	D, P			K7	Agate, Inner
	#SL39 1L5AA	1	D, P			B7	Taupe, Inner
		1	D, P			K7	Taupe, Inner
11	6504 542	2					SCREW, 6 Lobed, Seat Belt Attaching
12							EXTENDER, Seat Belt
	4856 560	1	D, P		22	W5	
		1	Z		42	F7	
		1	D, P		42	F7	
		1	Z		42	G7	
		1	D, P		42	G7	
		1	D, P		22	G7	
		1	D, P		22	H7	
		1	D, P		42	H7	

**DODGE - PLYMOUTH - CHRYSLER NEON (PL)**

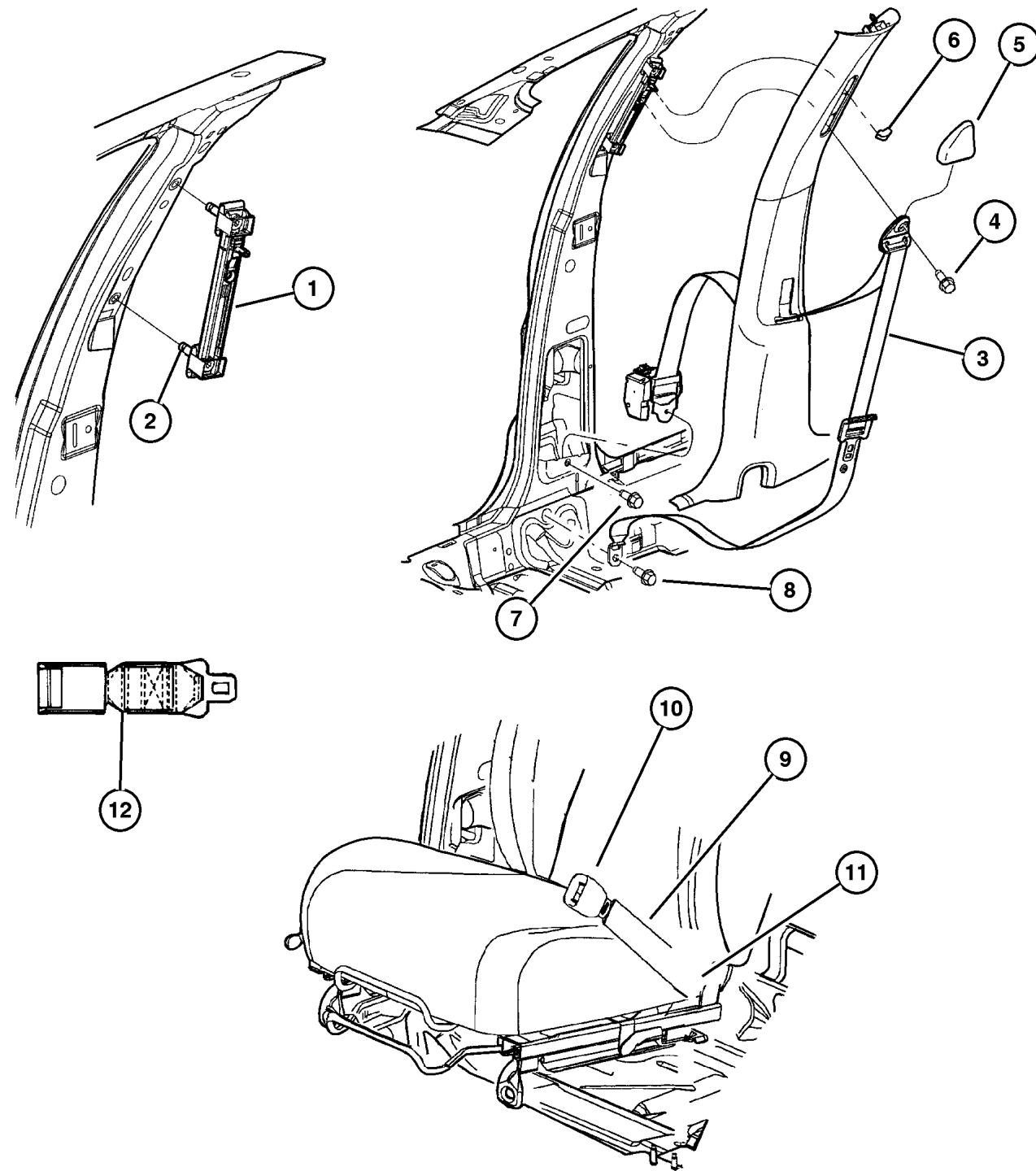
SERIES	LINE	BODY	ENGINE	TRANSMISSION
L=Low Line	Z=RHD	41 = 4 Door, 104.0WB	ECB =2.0L 4 Cyl. SOHC	DD5 = 5 Speed Manual
H=High Line	D= Dodge		EBD = 1.8L 4Cyl SOHC	DGC = 3 Speed Automatic
	D= Chrysler			DG0 = All Automatic
	P= Plymouth			DBB = All Manual

AR = Use as required - = Non illustrated part # = New this model year

May 3, 2002

### Seat Belts - Front Figure IPL-710

ITEM	PART NUMBER	QTY	LINE	SERIES	BODY	TRIM	DESCRIPTION
		1	D, P		22	L7	



**DODGE - PLYMOUTH - CHRYSLER NEON (PL)**

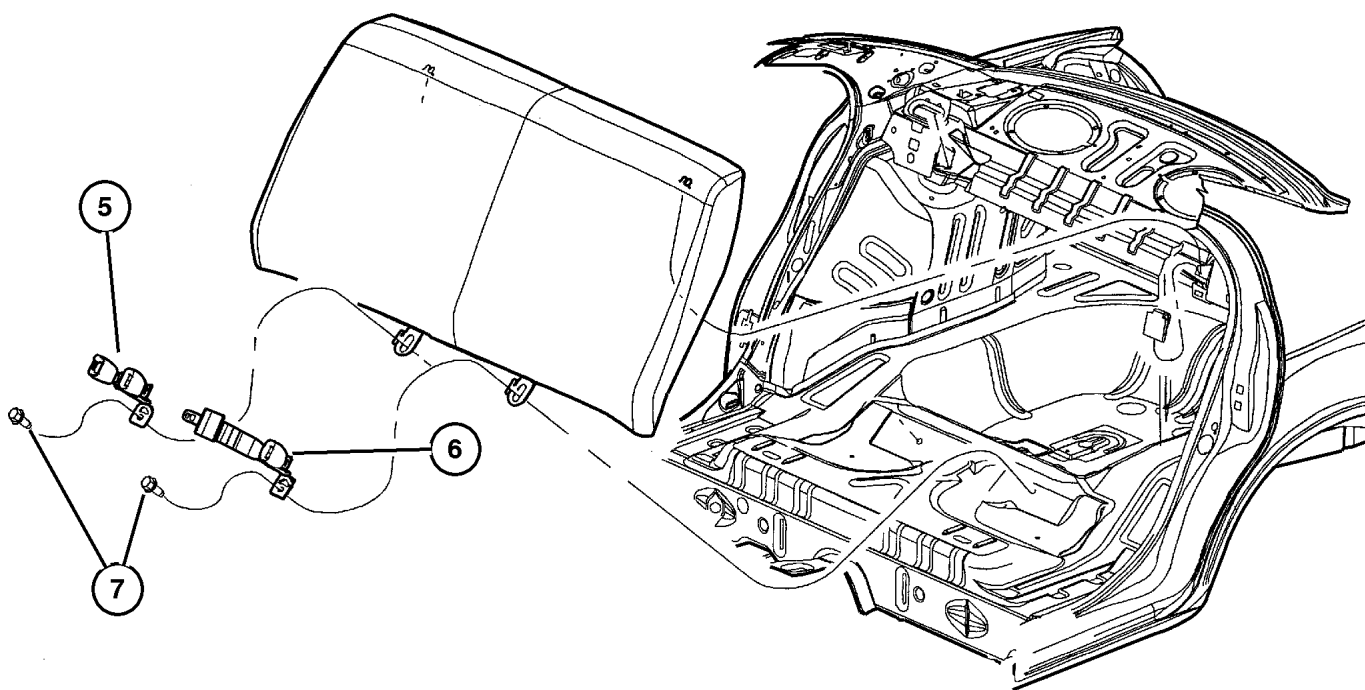
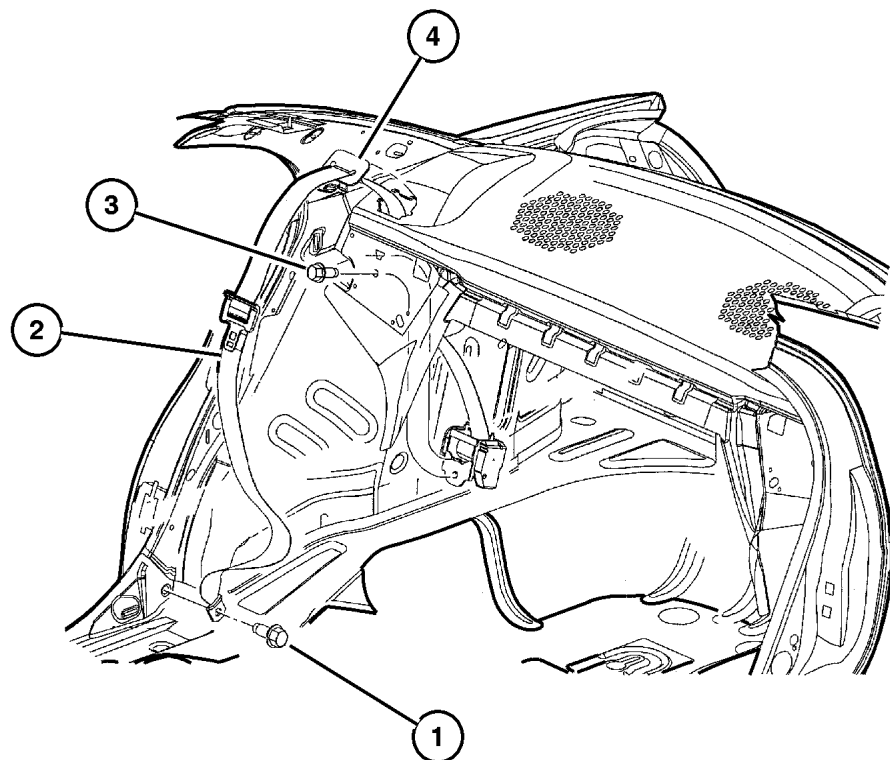
SERIES	LINE	BODY	ENGINE
L=Low Line	Z= RHD	41 = 4 Door, 104.0WB	ECB =2.0L 4 Cyl. SOHC
H=High Line	D= Dodge		EBD = 1.8L 4Cyl SOHC
	D= Chrysler		
	P= Plymouth		

TRANSMISSION
DD5 = 5 Speed Manual
DGC = 3 Speed Automatic
DG0 = All Automatic
DBB = All Manual

AR = Use as required   - = Non illustrated part   # = New this model year

May 3, 2002

Seat Belts - Rear  
Figure IPL-720



ITEM	PART NUMBER	QTY	LINE	SERIES	BODY	TRIM	DESCRIPTION
1	6504 542	2					SCREW, 6 Lobed
2							SEAT BELT, Rear Outer
	#PZ91 1L5	2	D, P				Taupe
	#PZ91 LAZ	2	D, P				Agate
	#PZ98 1X8	2	Z				Black/Taupe, (L5)
		2	D, P				Black/Taupe, (L5) w/ABB
	#PZ98 1XZ	2	Z				Black/Agate, (AZ)
		2	D, P				Black/Agate, (AZ) w/ABB
3	#6035 992AA	2					SCREW AND WASHER, Pan Head, .437-20x1.20
4							BEZEL, Seat Belt, Serviced With Seat Belt, (NOT SERVICED)
5							SEAT BELT, Rear Inner
	#QA00 1AZ	1	D, P				Agate, Right
	#QA00 1L5	1	D, P				Taupe, Right
	#QR00 1X9AA	1	Z				Black, Right
		1	D, P				Black, Right
6							SEAT BELT, Rear Inner
	#PZ99 1AZ	1	D, P				Agate, Left
	#PZ99 1L5	1	D, P				Taupe, Left
	#QA01 1X9	1	Z				Black, Left
		1	D, P				Black, Left
7	6034 819	2					SCREW, Seat Belt Attaching, .50-20x1.38
-8							BRACKET, Child Tether Anchor
	#5008 328AA	1					Center
	#5008 332AA	1					Right
	#5008 333AA	1					Left
-9	6035 737	3	Z				NUT, .312-18, Child Seat Teather
-10							WASHER, Flat Round, (ID M11.12, OD 28.00, Thk 2.80), (NOT SERVICED)
-11	5017 563AB	1					ANCHOR PACKAGE, Child Seat Tether

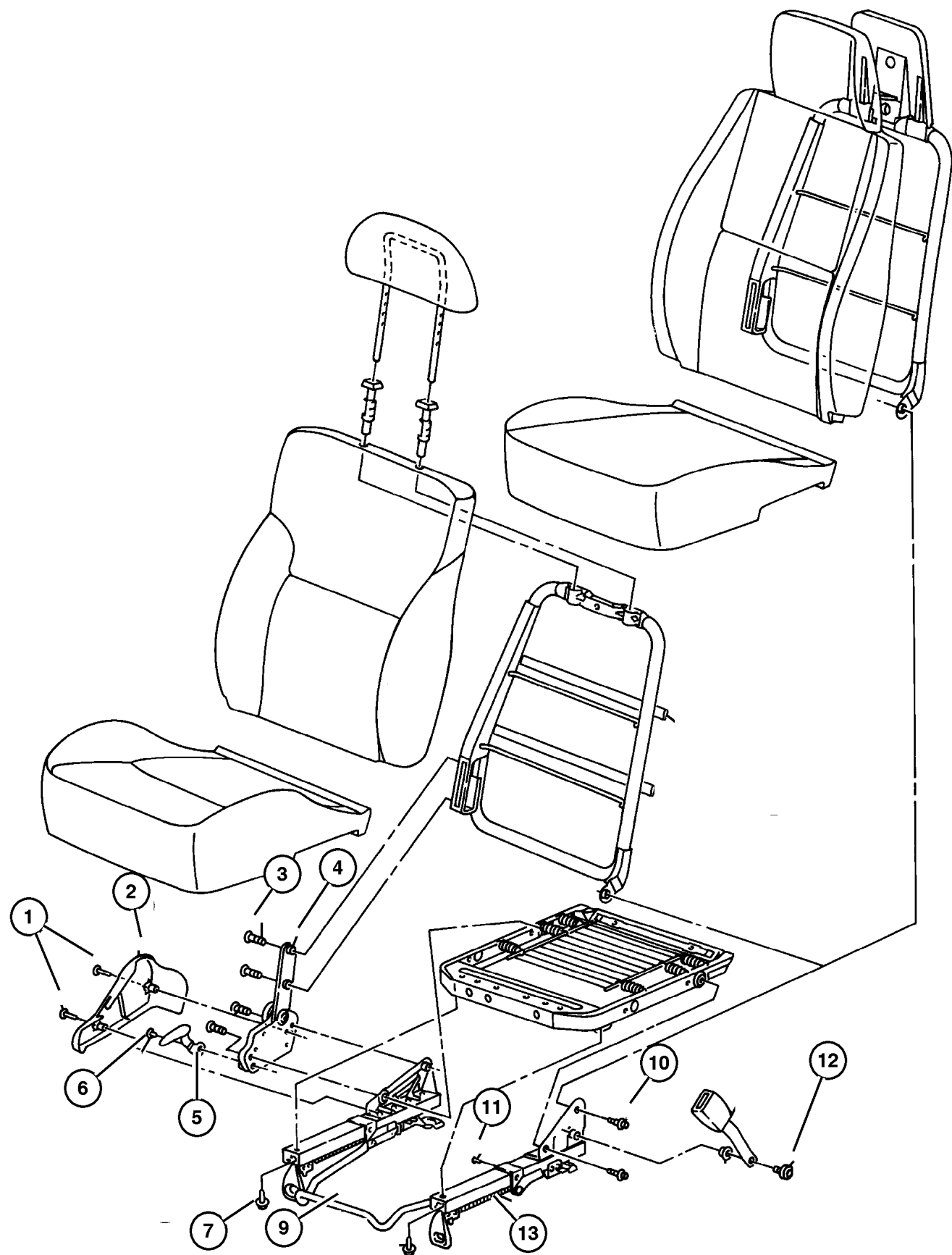
DODGE - PLYMOUTH - CHRYSLER NEON (PL)

SERIES	LINE	BODY	ENGINE	TRANSMISSION
L=Low Line	Z= RHD	41 = 4 Door, 104.0WB	ECB =2.0L 4 Cyl. SOHC	DD5 = 5 Speed Manual
H=High Line	D= Dodge		EBD = 1.8L 4Cyl SOHC	DGC = 3 Speed Automatic
	P= Plymouth			DG0 = All Automatic
				DBB = All Manual

AR = Use as required - = Non illustrated part # = New this model year

May 3, 2002

## Seat Adjusters, Recliners and Side Shields Figure IPL-810



ITEM	PART NUMBER	QTY	LINE	SERIES	BODY	TRIM	DESCRIPTION
1							SCREW, Side Shield Outer, (NOT SERVICED)
2							SHIELD, Seat Cushion
	JF76 1AZ	1	Z			C7	Agate, Right
		1	D, P			C7	Agate, Right
		1	D, P			B7	Agate, Right
		1	D, P			K7	Agate, Right
	JF76 1L5	1	Z			K7	Agate, Right
		1	D, P			C7	Taupe, Right
		1	D, P			B7	Taupe, Right
		1	D, P			K7	Taupe, Right
		1	D, P			CL	Taupe, Right
		1	Z			CL	Taupe, Right
	JF77 1AZ	1	Z			C7	Agate, Left
		1	D, P			C7	Agate, Left
		1	D, P			B7	Agate, Left
		1	D, P			K7	Agate, Left
		1	Z			K7	Agate, Left
	JF77 1L5	1	Z			C7	Taupe, Left
		1	D, P			C7	Taupe, Left
		1	D, P			B7	Taupe, Left
		1	D, P			K7	Taupe, Left
		1	D, P			CL	Taupe, Left
		1	Z			CL	Taupe, Left
3							BOLT, Recliner
	4746 997	1	Z			C7	
		1	D, P			C7	
		1	D, P			B7	
		1	D, P			K7	
		1	Z			K7	
		1	D, P			CL	
		1	Z			CL	
4							RECLINER, Seat Back
	4797 318	1	Z			C7	Right
		1	D, P			C7	Right
		1	D, P			B7	Right
		1	D, P			K7	Right
		1	Z			K7	Right
		1	D, P			CL	Right
		1	Z			CL	Right
	4797 319	1	Z			C7	Left
		1	D, P			C7	Left
		1	D, P			B7	Left

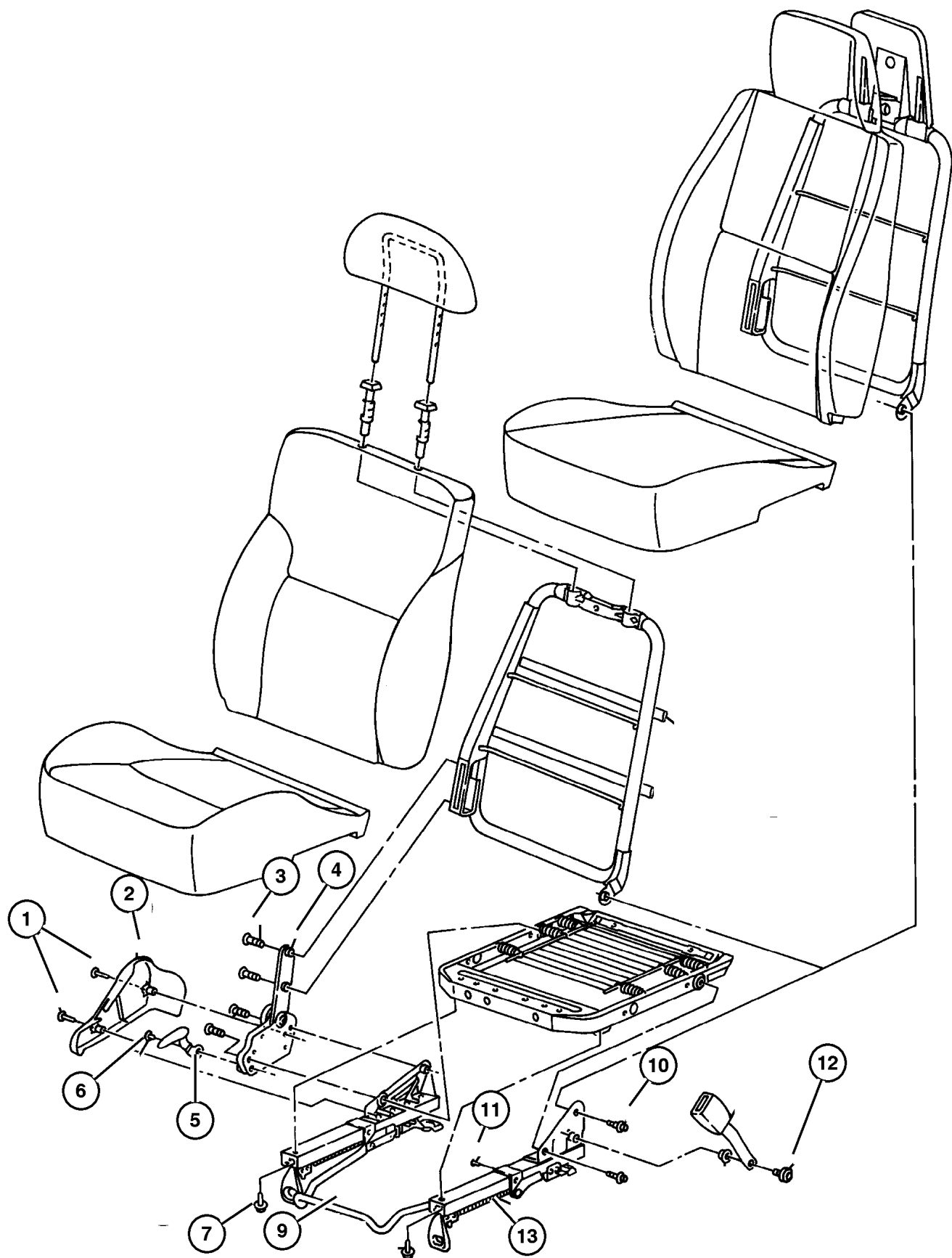
**DODGE - PLYMOUTH - CHRYSLER NEON (PL)**

SERIES	LINE	BODY	ENGINE	TRANSMISSION
L=Low Line	Z= RHD	41 = 4 Door, 104.0WB	ECB =2.0L 4 Cyl. SOHC	DD5 = 5 Speed Manual
H=High Line	D= Dodge		EBD = 1.8L 4Cyl SOHC	DGC = 3 Speed Automatic
	D= Chrysler			DG0 = All Automatic
	P= Plymouth			DBB = All Manual

AR = Use as required - = Non illustrated part # = New this model year

May 3, 2002

## Seat Adjusters, Recliners and Side Shields Figure IPL-810



ITEM	PART NUMBER	QTY	LINE	SERIES	BODY	TRIM	DESCRIPTION
		1	D, P			K7	Left
		1	Z			K7	Left
		1	D, P			CL	Left
		1	Z			CL	Left
5							HANDLE, Recliner
	4740 986	1	Z			C7	Right
		1	D, P			C7	Right
		1	D, P			B7	Right
		1	D, P			K7	Right
		1	Z			K7	Right
		1	D, P			CL	Right
		1	Z			CL	Right
	4740 987	1	Z			C7	Left
		1	D, P			C7	Left
		1	D, P			B7	Left
		1	D, P			K7	Left
		1	Z			K7	Left
		1	D, P			CL	Left
		1	Z			CL	Left
6							BOLT, Recliner, Recliner Handle Attaching (M6x10-T30 Torx
	4746 997	1	Z			C7	Handle
		1	D, P			C7	Handle
		1	D, P			B7	Handle
		1	D, P			K7	Handle
		1	Z			K7	Handle
		1	D, P			CL	Handle
		1	Z			CL	Handle
7							BOLT, Cushion To Adjuster
	4761 014	1	Z			C7	
		1	D, P			C7	
		1	D, P			B7	
		2	D, P			K7	
		2	Z			K7	
		1	Z			CL	
		1	D, P			CL	
-8	6505 872AA	8					SCREW AND WASHER, Hex Head, M10x1.5x40, Adjuster To Floor
9							TOWEL BAR, Seat Adjuster Handle
	4740 979	1	D, P			C7	Left
		1	D, P			CL	Left
		1	Z			C7	Left

**DODGE - PLYMOUTH - CHRYSLER NEON (PL)**

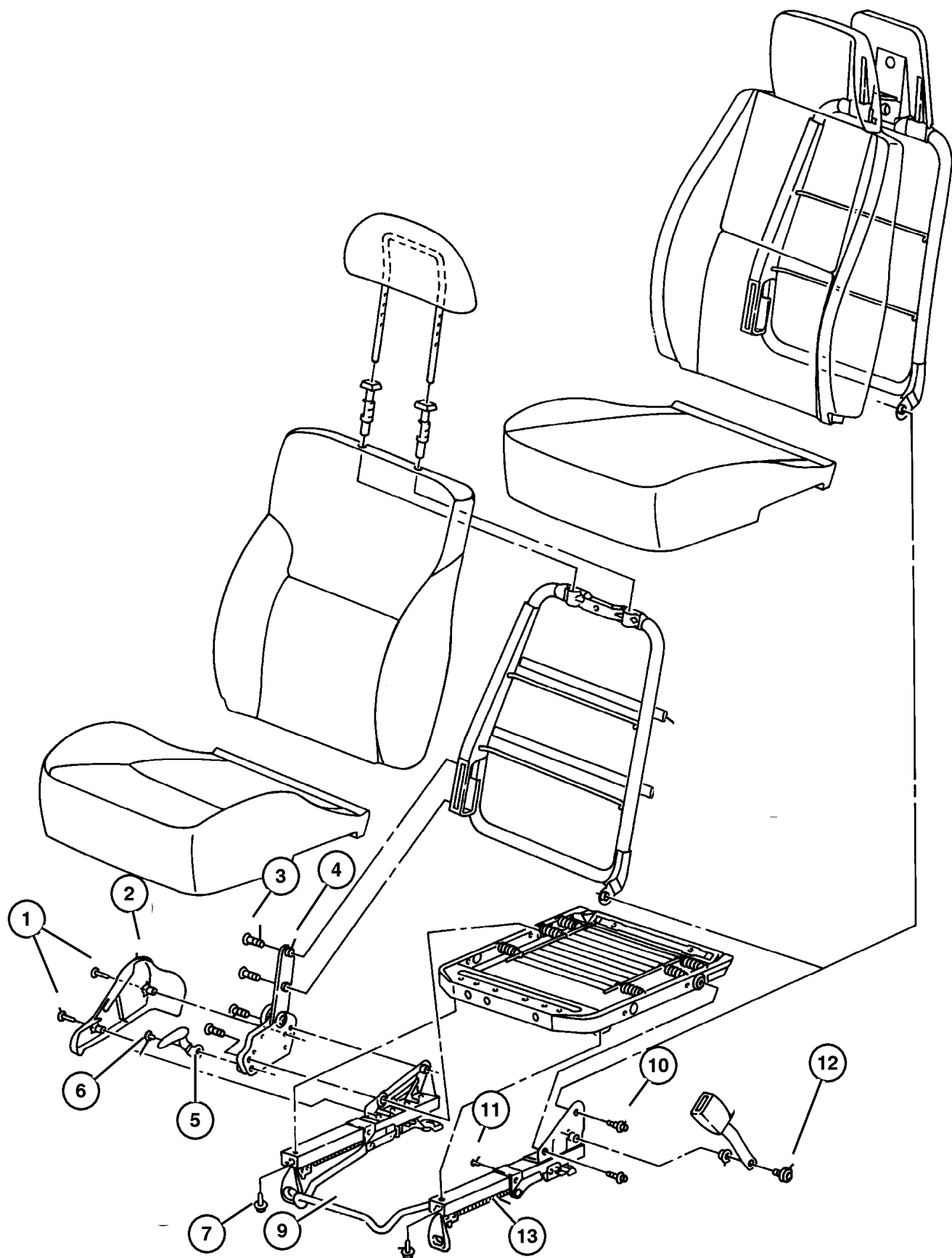
SERIES	LINE	BODY	ENGINE	TRANSMISSION
L=Low Line	Z= RHD	41 = 4 Door, 104.0WB	ECB =2.0L 4 Cyl. SOHC	DD5 = 5 Speed Manual
H=High Line	D= Dodge		EBD = 1.8L 4Cyl SOHC	DGC = 3 Speed Automatic
	D= Chrysler			DG0 = All Automatic
	P= Plymouth			DBB = All Manual

AR = Use as required - = Non illustrated part # = New this model year

May 3, 2002

## Seat Adjusters, Recliners and Side Shields

### Figure IPL-810



ITEM	PART NUMBER	QTY	LINE	SERIES	BODY	TRIM	DESCRIPTION
		1	Z			CL	Left
	5013 153AA	2	D, P			B7	2-Pcs, Right
		2	Z			K7	2-Pcs, Right
		2	D, P			K7	2-Pcs, Right
		1	D, P			C7	2-Pcs, Right
		1	D, P			CL	2-Pcs, Right
		1	Z			C7	2-Pcs, Right
		1	Z			CL	2-Pcs, Right
	#5017 602AA	2	D, P			B7	(Use After 8-1-99), Right
		2	Z			K7	(Use After 8-1-99), Right
		2	D, P			K7	(Use After 8-1-99), Right
		1	D, P			C7	(Use After 8-1-99), Right
		1	D, P			CL	(Use After 8-1-99), Right
		1	Z			C7	(Use After 8-1-99), Right
		1	Z			CL	(Use After 8-1-99), Right
10							BOLT, Adjuster Shoulder
	4874 140	1	Z			C7	Adjuster To Cushion
		1	D, P			C7	Adjuster To Cushion
		1	D, P			B7	Adjuster To Cushion
		2	D, P			K7	Adjuster To Cushion
		2	Z			K7	Adjuster To Cushion
11							RIVET, Pop, (NOT SERVICED)
12	6504 973AA	2					SCREW, Attaching, Seat Belt
13							ADJUSTER, Manual Seat
	5013 154AA	1	D, P			B7	Right,Outboard
		1	Z			K7	Right,Outboard
		1	D, P			K7	Right,Outboard
		1	D, P			C7	Right,Outboard
		1	D, P			CL	Right,Outboard
	5013 155AA	1	D, P			B7	Right,Inboard
		1	Z			K7	Right,Inboard
		1	D, P			K7	Right,Inboard
		1	D, P			C7	Right,Inboard
		1	D, P			CL	Right,Inboard
	#5013 158AA	1	D, P			B7	(Use Up To 8-1-99), Left,Inboard
		1	Z			K7	(Use Up To 8-1-99), Left,Inboard
		1	D, P			K7	(Use Up To 8-1-99), Left,Inboard
		1	Z			C7	(Use Up To 8-1-99), Left,Inboard
		1	Z			CL	(Use Up To 8-1-99), Left,Inboard
	5013 159AA	1	D, P			B7	(Use Up To 8-1-99), Left,Outboard
		1	Z			K7	(Use Up To 8-1-99), Left,Outboard
		1	D, P			K7	(Use Up To 8-1-99), Left,Outboard

**DODGE - PLYMOUTH - CHRYSLER NEON (PL)**

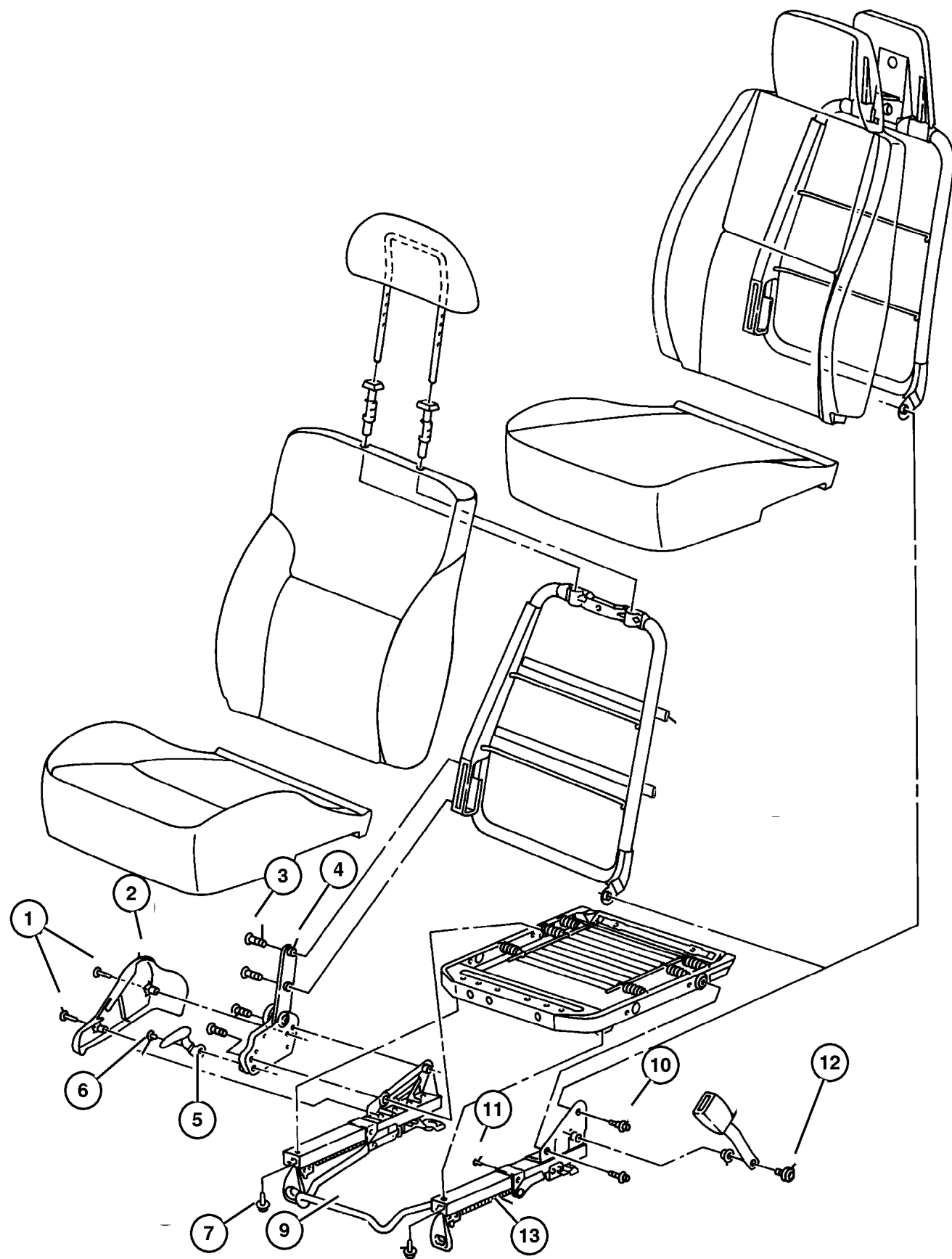
SERIES	LINE	BODY	ENGINE	TRANSMISSION
L=Low Line	Z= RHD	41 = 4 Door, 104.0WB	ECB =2.0L 4 Cyl. SOHC	DD5 = 5 Speed Manual
H=High Line	D= Dodge		EBD = 1.8L 4Cyl SOHC	DGC = 3 Speed Automatic
	D= Chrysler			DG0 = All Automatic
	P= Plymouth			DBB = All Manual

AR = Use as required - = Non illustrated part # = New this model year

May 3, 2002

## Seat Adjusters, Recliners and Side Shields

### Figure IPL-810



ITEM	PART NUMBER	QTY	LINE	SERIES	BODY	TRIM	DESCRIPTION
		1	Z			C7	(Use Up To 8-1-99), Left,Outboard
		1	Z			CL	(Use Up To 8-1-99), Left,Outboard
	#5013 926AA	1	Z			C7	One-Piece, Right
		1	Z			CL	One-Piece, Right
	#5013 927AA	1	D, P			C7	One-Piece, Left
		1	D, P			CL	One-Piece, Left
	#5017 598AA	1	D, P			B7	(Use After 8-1-99), Left,Inboard
		1	Z			K7	(Use After 8-1-99), Left,Inboard
		1	D, P			K7	(Use After 8-1-99), Left,Inboard
		1	Z			C7	(Use After 8-1-99), Left,Inboard
	#5017 599AA	1	D, P			CL	(Use After 8-1-99), Left,Inboard
		1	Z			B7	(Use After 8-1-99), Left,Outboard
		1	Z			K7	(Use After 8-1-99), Left,Outboard
		1	D, P			K7	(Use After 8-1-99), Left,Outboard
		1	Z			C7	(Use After 8-1-99), Left,Outboard
	#5017 600AA	1	Z			CL	(Use After 8-1-99), Left,Outboard
		1	D, P			K7	(Use After 8-1-99), Right,Outboard
		1	D, P			B7	(Use After 8-1-99), Right,Outboard
		1	D, P			K7	(Use After 8-1-99), Right,Outboard
		1	D, P			C7	(Use After 8-1-99), Right,Outboard
		1	D, P			CL	(Use After 8-1-99), Right,Outboard
	#5017 601AA	1	Z			K7	(Use After 8-1-99), Right,Inboard
		1	D, P			B7	(Use After 8-1-99), Right,Inboard
		1	D, P			K7	(Use After 8-1-99), Right,Inboard
		1	D, P			C7	(Use After 8-1-99), Right,Inboard
		1	D, P			CL	(Use After 8-1-99), Right,Inboard
-14							WIRE, Seat Adjuster
	#5017 596AA	1	D, P			B7	
		1	Z			K7	
		1	D, P			C7	
		1	D, P			CL	
-15							SPRING, Seat Track Adjuster
	#5017 595AA	1	D, P			B7	(Use After 8-1-99)
		1	D, P			K7	(Use After 8-1-99)
		1	Z			K7	(Use After 8-1-99)
		1	D, P			C7	(Use After 8-1-99)
		1	D, P			CL	(Use After 8-1-99)
-16	4897 937AA	AR					COVER, Seat Adjuster, Black, Rear

**DODGE - PLYMOUTH - CHRYSLER NEON (PL)**

SERIES	LINE	BODY	ENGINE	TRANSMISSION
L=Low Line	Z= RHD	41 = 4 Door, 104.0WB	ECB =2.0L 4 Cyl. SOHC	DD5 = 5 Speed Manual
H=High Line	D= Dodge		EBD = 1.8L 4Cyl SOHC	DGC = 3 Speed Automatic
	D= Chrysler			DG0 = All Automatic
	P= Plymouth			DBB = All Manual

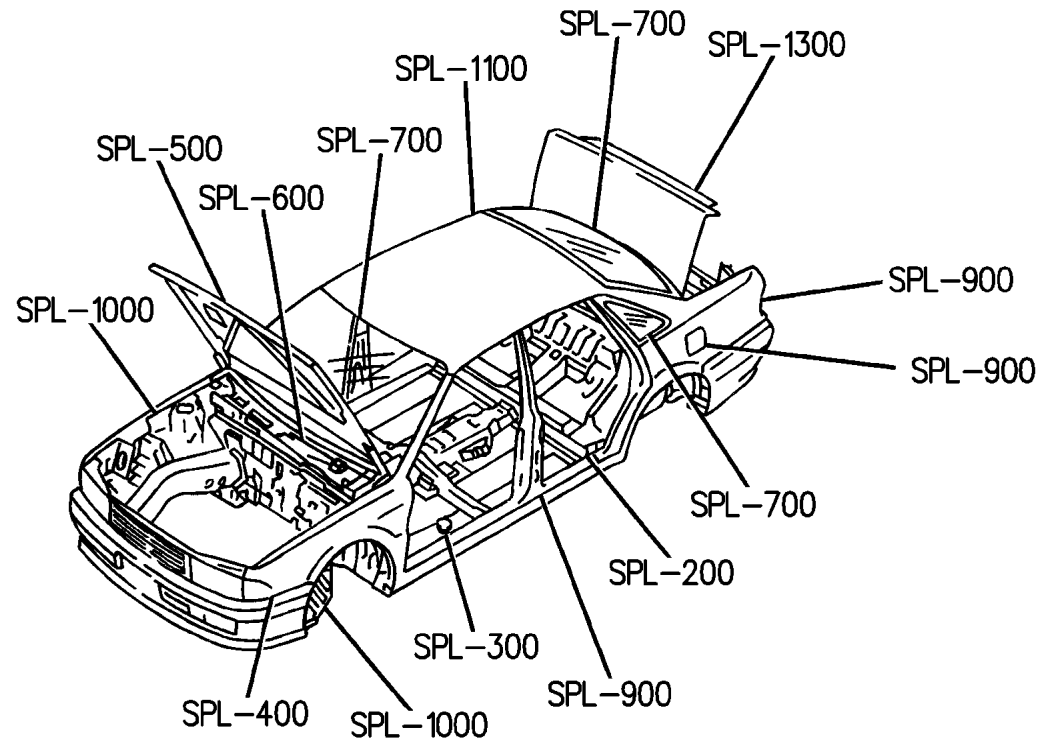
AR = Use as required - = Non illustrated part # = New this model year

May 3, 2002



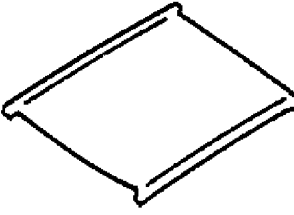
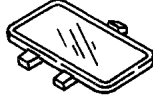
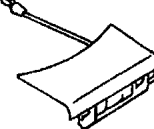
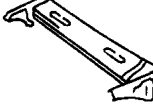
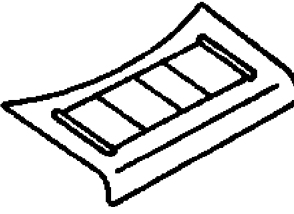
# Group – SPL

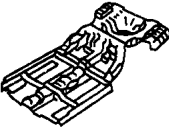

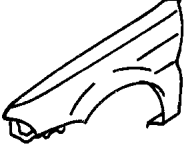
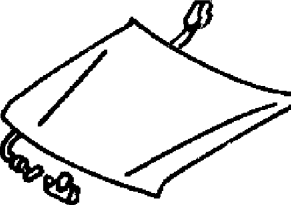
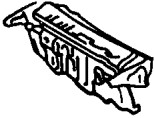

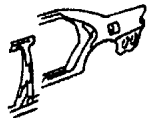
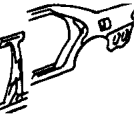
## Body Sheet Metal Except Doors



# Group – SPL

## Body Sheet Metal Except Doors

<b>SPL-1100</b> Roof Panels 	<b>SPL-1200</b> Sunroof 	<b>SPL-1300</b> Deck Lid 	<b>SPL-1400</b> Rear Shelf Panel 
<b>SPL-1600</b> Luggage Rack 			

<b>SPL-200</b> Floor Pans 	<b>SPL-300</b> Plugs 	<b>SPL-400</b> Front Fenders 	<b>SPL-500</b> Hood and Hood Release 
<b>SPL-600</b> Cowl and Dash Panel 	<b>SPL-700</b> Glass and Mirror 	<b>SPL-800</b> Aperture Panel 	<b>SPL-900</b> Quarter Panel 



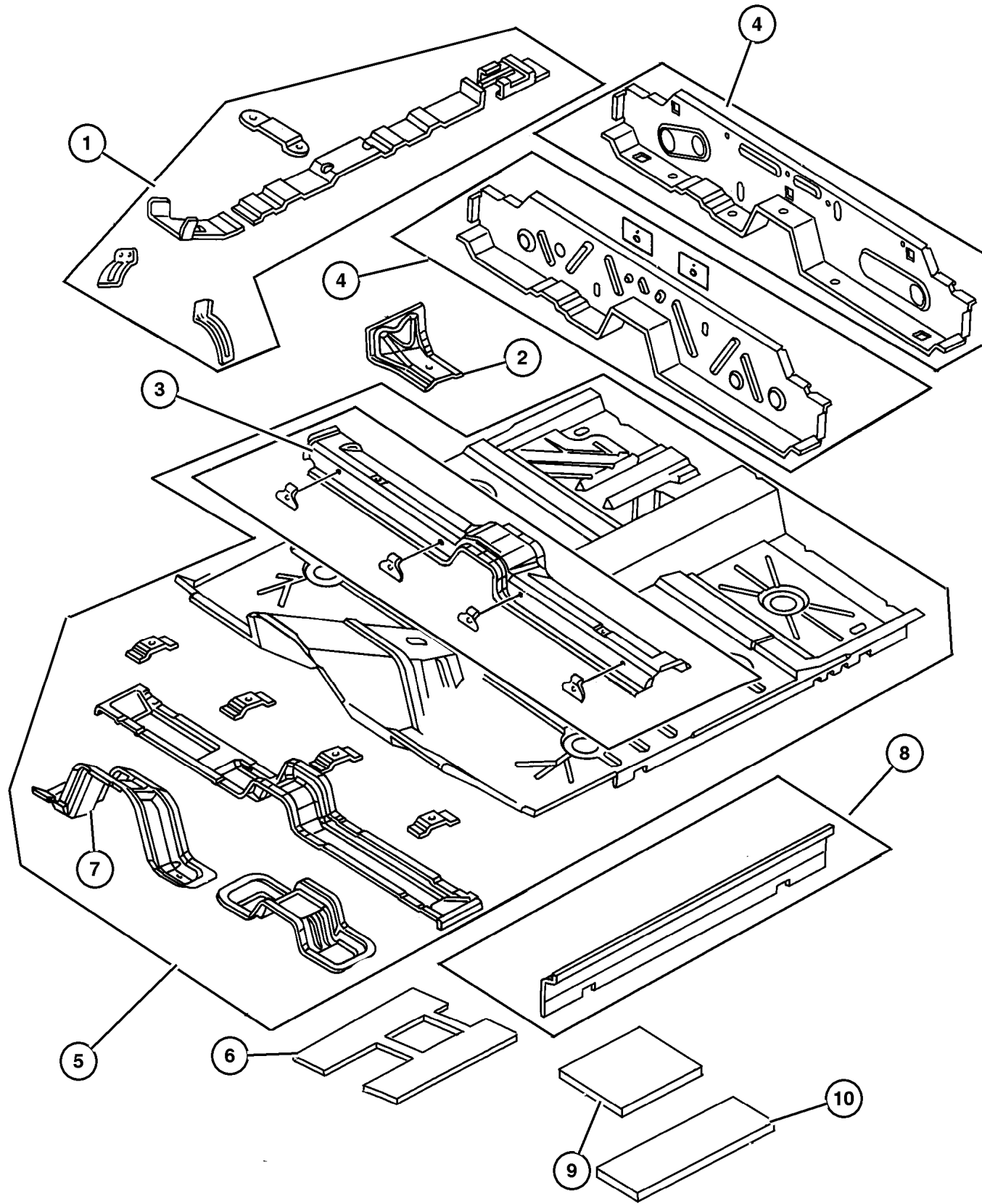
---

## GROUP SPL - Body Sheet Metal Except Doors

Illustration Title	Group-Fig. No.
<b>Floor Pans</b>	
Floor Pan Front .....	Fig. SPL-210
Floor Pan, Rear .....	Fig. SPL-220
<b>Plugs</b>	
Plugs .....	Fig. SPL-310
<b>Front Fenders</b>	
Front Fender .....	Fig. SPL-410
<b>Hood and Hood Release</b>	
Hood and Hood Release .....	Fig. SPL-510
Seal and Weather Strips (Hood) .....	Fig. SPL-520
<b>Cowl and Dash Panel</b>	
Cowl and Dash Panel .....	Fig. SPL-610
<b>Glass and Mirror</b>	
Windshield, Backlite and Mirror .....	Fig. SPL-710
<b>Aperture Panel</b>	
Aperture Panels - Packages (4-Door) .....	Fig. SPL-810
Aperture Panels - 4 Door 4-Door .....	Fig. SPL-820
<b>Quarter Panel</b>	
Quarter Panel 4-Door .....	Fig. SPL-910
<b>Roof Panels</b>	
Roof Panel .....	Fig. SPL-1110
<b>Sunroof</b>	
Sunroof .....	Fig. SPL-1210
<b>Deck Lid</b>	
Deck Lid .....	Fig. SPL-1310
<b>Rear Shelf Panel</b>	
Rear Shelf Panel .....	Fig. SPL-1410



Floor Pan Front  
Figure SPL-210



ITEM	PART NUMBER	QTY	LINE	BODY	DESCRIPTION
1	#4783 733AC	1			BRACKET, Floor Console
2	#4783 740	1			BRACE, Floor Pan To Sill Right
	#4783 741	1			Left
3	#5014 424AA	1			CROSSMEMBER, Front Floor
4	#5014 458AC	1			CROSSMEMBER, Rear Floor
5	#5013 068AD	1			PAN, Floor
6	#5008 350AA	1			PAD, Front Floor Pan Right
	#5008 351AA	1			Left
7	#5014 424AA	1			CROSSMEMBER, Front Floor
8	#5012 862AH	1			PANEL PACKAGE, Sill Right
	#5012 863AH	1			Left
9	4278 178	12			TAPE, Hole Cover, 50x50x1 mm
10	4740 136	1			SILENCER, Floor Pan
	4783 210	2			Front Floor Pan Under Front Seat
	#4888 865AA	1			Front Floor Pan Under Rear Seat

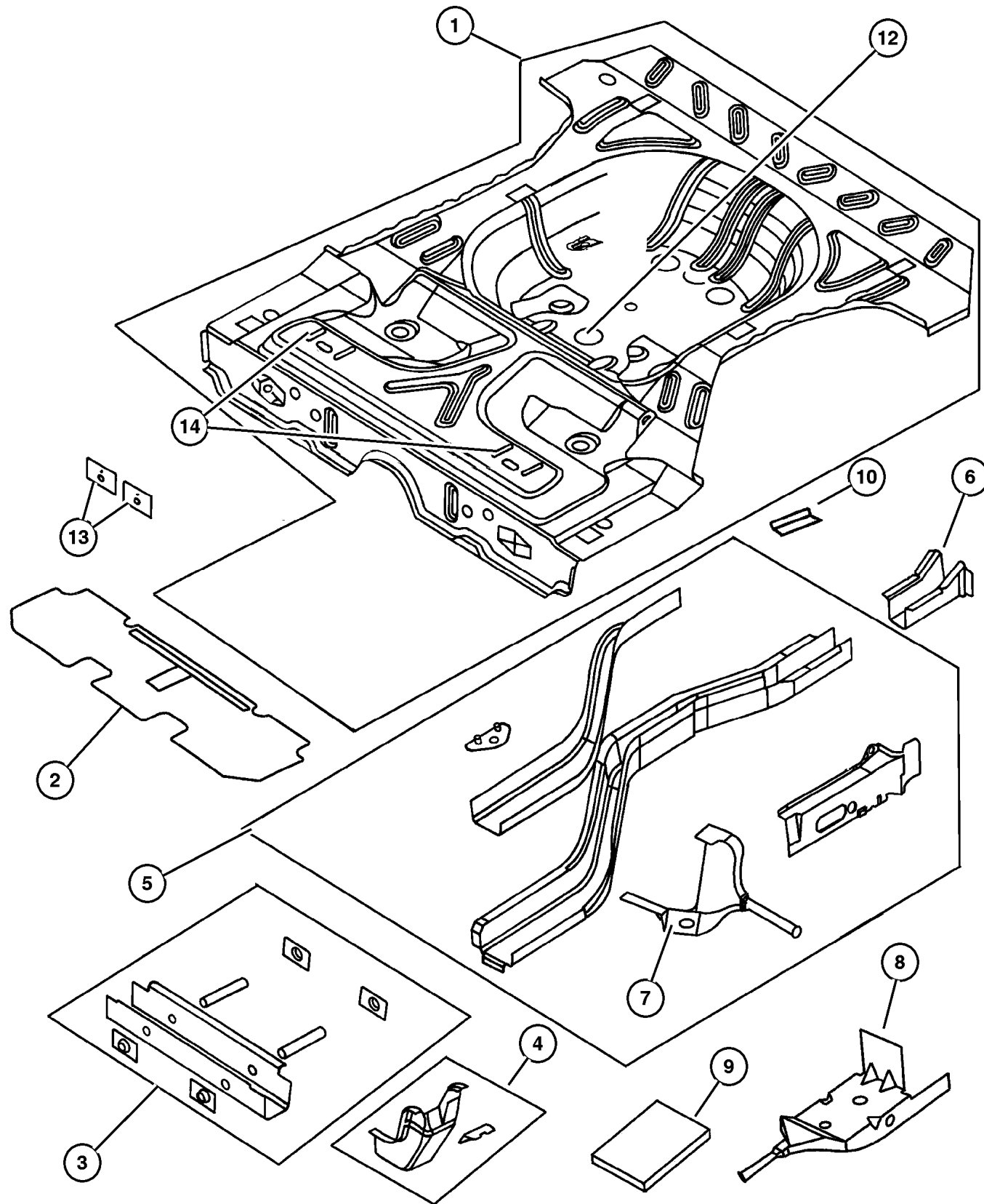
DODGE - PLYMOUTH - CHRYSLER NEON (PL)

SERIES	LINE	BODY	ENGINE	TRANSMISSION
L=Low Line	Z= RHD	41 = 4 Door, 104.0WB	ECB =2.0L 4 Cyl. SOHC	DD5 = 5 Speed Manual
H=High Line	D= Dodge		EBD = 1.8L 4Cyl SOHC	DGC = 3 Speed Automatic
	D= Chrysler			DG0 = All Automatic
	P= Plymouth			DBB = All Manual

AR = Use as required - = Non illustrated part # = New this model year

May 3, 2002

Floor Pan, Rear  
Figure SPL-220



ITEM	PART NUMBER	QTY	LINE	BODY	DESCRIPTION
1	#5013 070AB	1			PAN, Floor, Rear
2	#4888 865AA	1			SILENCER, Floor Pan, Under Rear Seat, Rear
3	#5014 458AC	1			CROSSMEMBER, Rear Floor
4	#4783 316AB	1			CROSSMEMBER, Rear Suspension Center
	#4783 361	2			Outer
5	#5013 128AC	1			RAIL, Rear Floor Pan Side Right
	#5013 129AC	1			Left
6	#4888 610AA	1			REINFORCEMENT, Bumper Rear Side Rail, Right
	#4888 611AA	1			Rear Side Rail, Left
7	#4783 612AB	1			BRACKET, Exhaust Hanger Side Rail, Right,Rear
	#4783 613	1			Side Rail, Left,Rear
8	#4783 615AC	1			BRACKET, Exhaust Hanger, Side Rail, Front,Mounting
9	4278 178	12			TAPE, Hole Cover, 50x50x1 mm Slot Cover, Rear,Rail
		2			Body Side Sill Inner Panel
10	#4888 915AB	1			BRACKET, Towing
-11	6502 337	4			NUT, M10x1.5, Toe Bracket Attaching
12	#4888 547AB	1			BRACKET, Spare Tire, Spare Wheel Anchor Bolt
13	4655 004	2			REINFORCEMENT, Floor Pan, Front Crossmember Fuel Tank Strap Mounting
14	4645 939AA	2			RETAINER, Seat Cushion

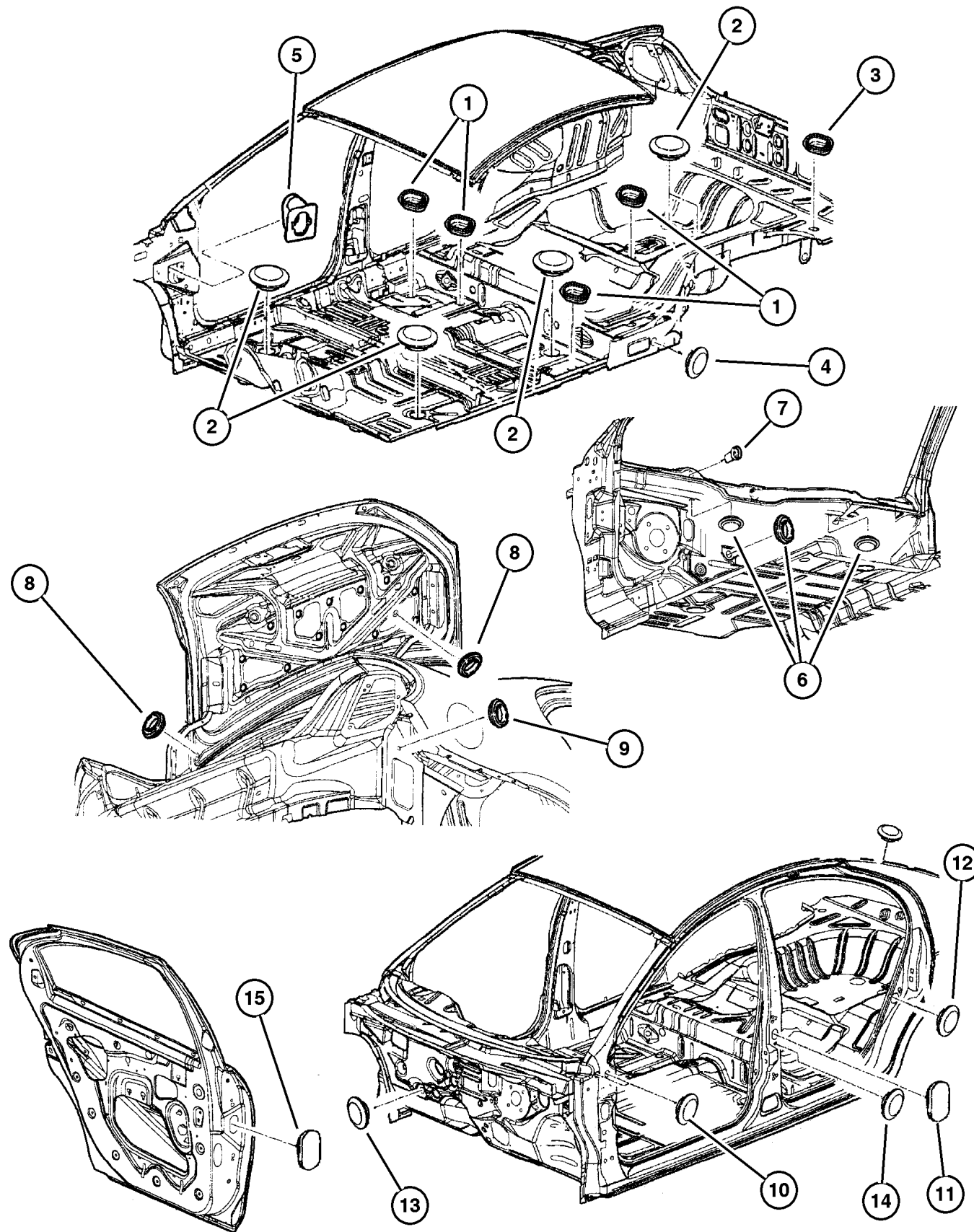
DODGE - PLYMOUTH - CHRYSLER NEON (PL)

SERIES	LINE	BODY	ENGINE	TRANSMISSION
L=Low Line	Z= RHD	41 = 4 Door, 104.0WB	ECB =2.0L 4 Cyl. SOHC	DD5 = 5 Speed Manual
H=High Line	D= Dodge		EBD = 1.8L 4Cyl SOHC	DGC = 3 Speed Automatic
	D= Chrysler			DG0 = All Automatic
	P= Plymouth			DBB = All Manual

AR = Use as required - = Non illustrated part # = New this model year

May 3, 2002

## Plugs Figure SPL-310



ITEM	PART NUMBER	QTY	LINE	BODY	DESCRIPTION
1					PLUG, Floor Pan
	4586 055	1			Rear
		3			Front
2					PLUG, Top Seal
	4696 666	2			Rear,Floor
		3			Front,Floor
3	4586 055	3			PLUG, Floor Pan, Rear
4	#4860 911AA	2			PLUG, Rear,Side
5					PLUG, Cowl Side
	#4888 550	1			Right
	#4888 551	1			Left
6					PLUG, Body, .875 Diameter
	5255 216	2			
		1			
7	#5008 012AA	1			ISOLATOR, Cowl Top
8	6029 939	2			PLUG, Body, .50 Diameter, Panel Deck Lid, Inner
9	4373 728	2			PLUG, Ext Gage Hole
10	4780 194	2			PLUG, Front Hinge Pillar
11	4696 467	2	D, P		PLUG, Body Side Aperture
12	4440 294	2			PLUG, Rear Fascia, Body Side Aperature Gage Slot
13	5264 670	1	D, P		PLUG, Dash Panel, Drain Hole
14	4716 933	2			PLUG, Body Side Aperture
15	4661 215	2			PLUG, Body, Rear Door
-16	6029 057	2			PLUG, Body, 1.655 Diameter, Round Push-In (Rail Reinforcement Left Eng. Mount)
-17	2860 332	1			PLUG, Anti-Rattle, Radio Antenna Cable Hole
-18	2811 825	1			PLUG, Splash Shield, Accessory Pulley Splash Shield
-19	4373 728	2			PLUG, Body Side Aperature Ext Gage Hole

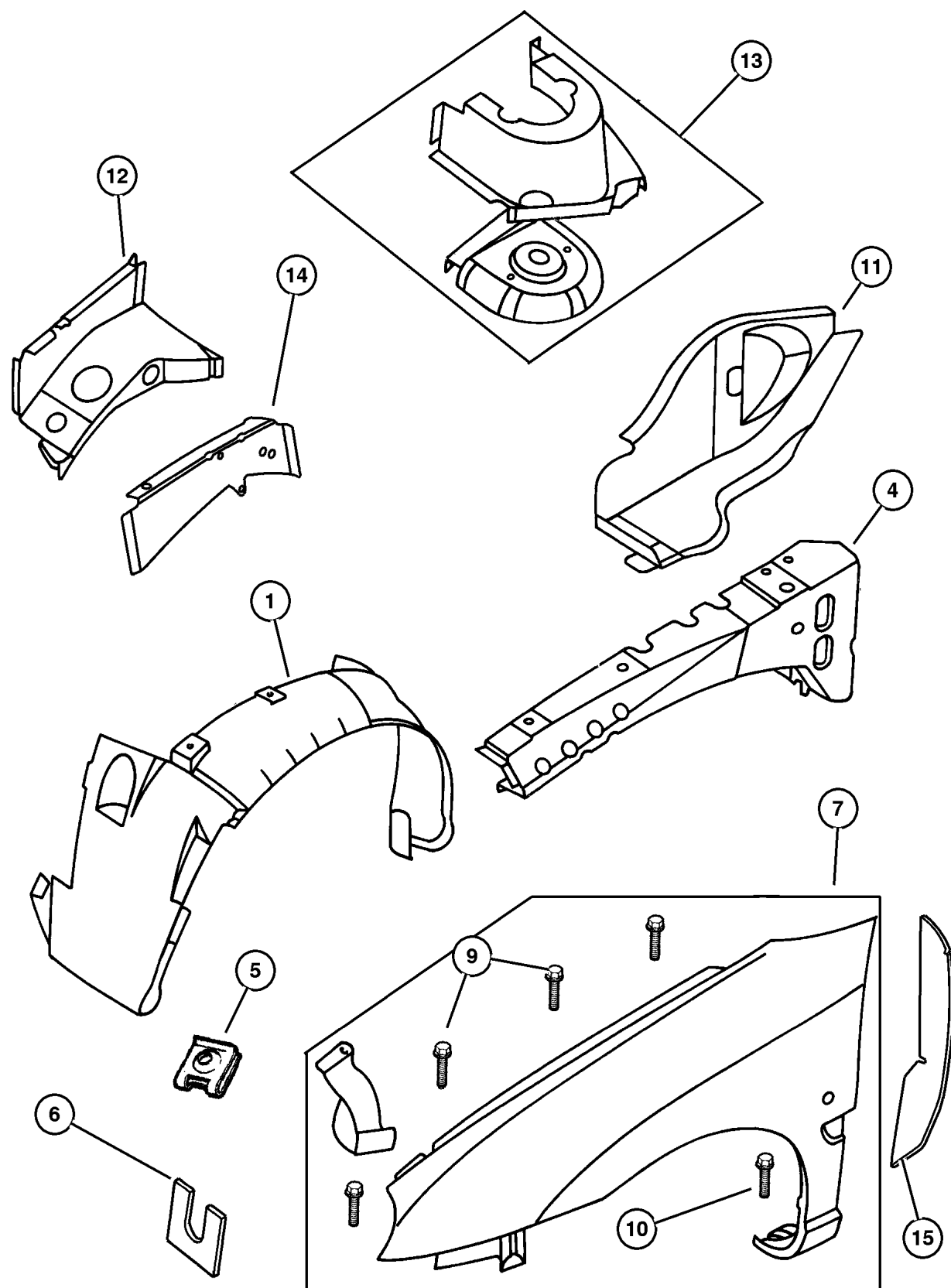
**DODGE - PLYMOUTH - CHRYSLER NEON (PL)**

SERIES	LINE	BODY	ENGINE	TRANSMISSION
L=Low Line	Z= RHD	41 = 4 Door, 104.0WB	ECB =2.0L 4 Cyl. SOHC	DD5 = 5 Speed Manual
H=High Line	D= Dodge		EBD = 1.8L 4Cyl SOHC	DGC = 3 Speed Automatic
	D= Chrysler			DG0 = All Automatic
	P= Plymouth			DBB = All Manual

AR = Use as required - = Non illustrated part # = New this model year

May 3, 2002

## Front Fender Figure SPL-410



ITEM	PART NUMBER	QTY	LINE	BODY	DESCRIPTION
1					SHIELD, Wheelhouse
	#5008 070AB	1			Right,Rear
	#5008 071AB	1			Left,Rear
	#5008 094AB	1			Right,Front
	#5008 095AB	1			Left,Front
-2					BRACKET, Fender Side Shield
	#5008 318AB	1			To Fascia Stud Plate, Right
	#5008 319AB	1			To Fascia Stud Plate, Left
-3	6030 441	2			PIN, Retainer
4					BEAM, Upper Load Path
	#4888 900AB	1			Right
	#4888 901AB	1			Left
5					U-NUT, M6 x 1.00, M6x1.00
	6501 703	2			To Front Upper Load, Fender
		2			To Support Front Hinge Pillar
		2			Fender To Body Side Aperature Attaching
6	4783 805	AR			SHIM, Fender, Load Beam To Fender
7					FENDER, Front
	#5012 670AB	1			Right
	#5012 671AB	1			Left
	#5012 672AB	1			BUX - LHD, Right
	#5012 673AB	1			BUX - LHD, Left
	#5012 674AB	1			BUX - RHD, Right
	#5012 675AB	1			BUX - RHD, Left
-8	#5008 026AA	2			BRACKET, Fender, Fender To Front Upper Load Beam, Right & Left
9	#6505 860AA	2			SCREW AND WASHER, Hex Head, M6x1x25, Attaching, Fender
10	6035 155	4			SCREW, Hex Head, .25-14x.875, Fender To Hinge Pillar Attaching
11	#4888 564	1			SHIELD, Accessory Drive, Pulley Splash, Side Rail,Front
12					PANEL, Fender Side Shield
	#4783 302AB	1			Right
	#4783 303AB	1			Left
13					PANEL, Front Strut Mounting
	#5012 736AC	1			Right
	#5012 737AC	1			Left
14					EXTENSION, Front Fender Side Shield
	#5008 056AD	1			Right
	#5008 057AD	1			Left
15					SEAL, Fender Blocker
	#5008 294AA	1			Right
	#5008 295AA	1			Left

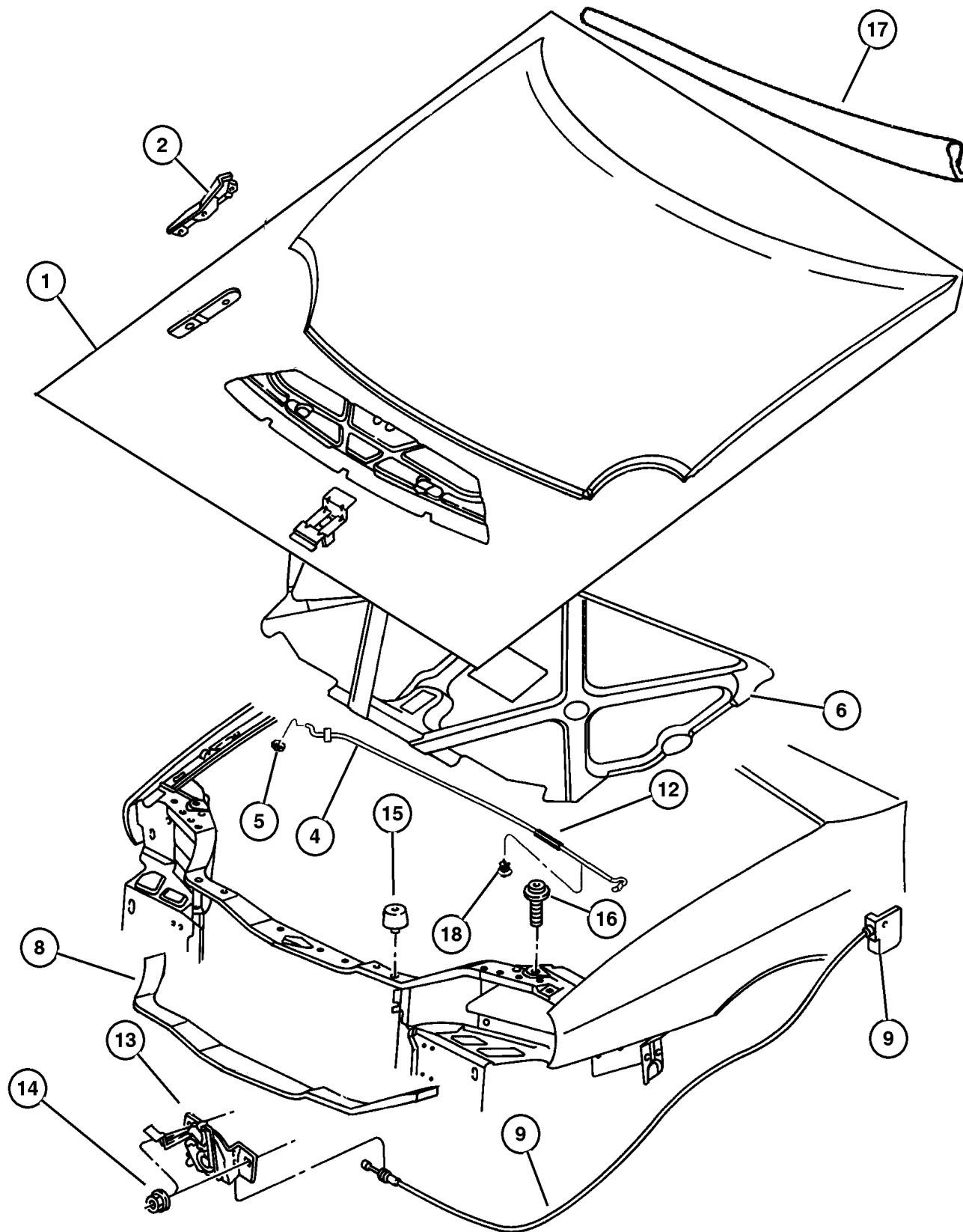
**DODGE - PLYMOUTH - CHRYSLER NEON (PL)**

SERIES	LINE	BODY	ENGINE	TRANSMISSION
L=Low Line	Z= RHD	41 = 4 Door, 104.0WB	ECB =2.0L 4 Cyl. SOHC	DD5 = 5 Speed Manual
H=High Line	D= Dodge		EBD = 1.8L 4Cyl SOHC	DGC = 3 Speed Automatic
	D= Chrysler			DG0 = All Automatic
	P= Plymouth			DBB = All Manual

AR = Use as required - = Non illustrated part # = New this model year

May 3, 2002

## Hood and Hood Release Figure SPL-510



ITEM	PART NUMBER	QTY	LINE	BODY	DESCRIPTION
1	#5012 442AB	1			HOOD
2	#4783 878AB	1			HINGE, Hood Right
	#4783 879AB	1			Left
-3	#6505 860AA	4			SCREW AND WASHER, Hex Head, M6x1x25, Hood Hinge To Body
4	#5008 017AA	1			PROP, Hood
5	#6036 083AA	1			CLIP, Prop Rod
6	#4888 562AC	1			SILENCER, Hood
-7	4341 060	14			FASTENER, Hood Silencer
8	#4724 464AA	1			WEATHERSTRIP, Hood to Radiator
9	#4783 583	1	D, P		Cable
	#4783 804	1	Z		Cable
-10	#6102 059AA	2			SCREW, Hood Release Attaching
-11	5207 294	1	Z		GROMMET, Hood Latch Release
		1	D, P		
12	#5008 284AA	1			ISOLATOR, Hood Prop Rod
13	4615 516	1			LATCH, Hood
14	6503 102	2			NUT AND WASHER, Hex Nut-Coned Washer, M6 x 1.00, To Radiator Support, Hood Latch
15	4783 419	1			BUMPER, Crossmember To Hood Stop
16	4103 165	2			BUMPER, Hood
17	#4783 658	1			WEATHERSTRIP, Cowl Plenum to Hood
18	#4888 913AA	1			BUSHING, Hood Prop Rod Pivot

### DODGE - PLYMOUTH - CHRYSLER NEON (PL)

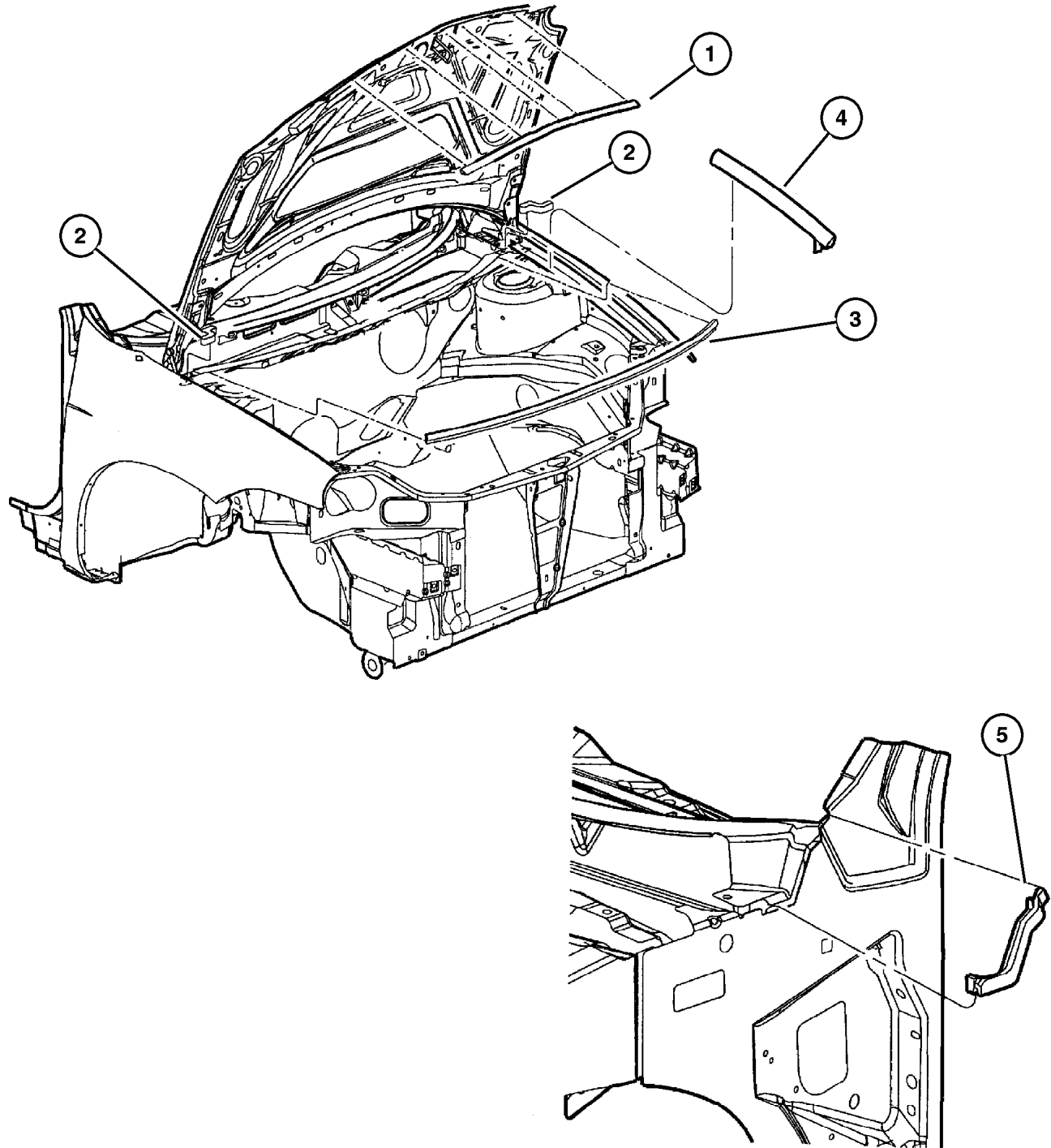
SERIES	LINE	BODY	ENGINE	TRANSMISSION
L=Low Line	Z= RHD	41 = 4 Door, 104.0WB	ECB =2.0L 4 Cyl. SOHC	DD5 = 5 Speed Manual
H=High Line	D= Dodge		EBD = 1.8L 4Cyl SOHC	DGC = 3 Speed Automatic
	D= Chrysler			DG0 = All Automatic
	P= Plymouth			DBB = All Manual

AR = Use as required - = Non illustrated part # = New this model year

May 3, 2002

**Seal and Weather Strips (Hood)**  
**Figure SPL-520**

ITEM	PART NUMBER	QTY	LINE	BODY	DESCRIPTION
1	#4724 464AA	1			WEATHERSTRIP, Hood to Radiator
2	#5008 136AA	1			SEAL, Fender to Hood Right
	#5008 137AA	1			Left
3	#4783 658	1			WEATHERSTRIP, Cowl Plenum to Hood
4	#4724 465AA	2			SEAL, Fender to Hood
5					BAFFLE, Fender, Cowl Side To Cowl Top, (NOT SERVICED)



**DODGE - PLYMOUTH - CHRYSLER NEON (PL)**

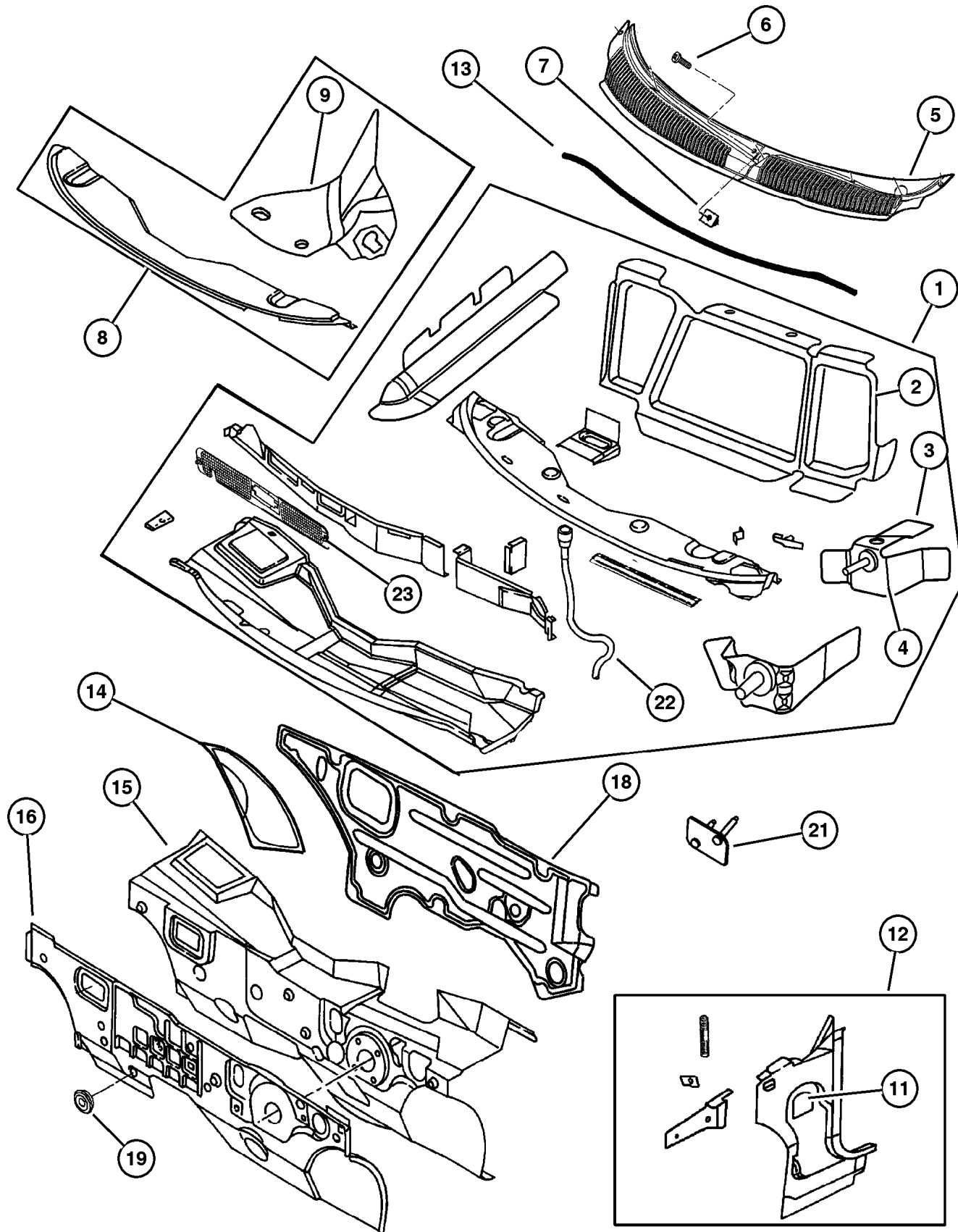
SERIES	LINE	BODY	ENGINE	TRANSMISSION
L=Low Line	Z= RHD	41 = 4 Door, 104.0WB	ECB =2.0L 4 Cyl. SOHC	DD5 = 5 Speed Manual
H=High Line	D= Dodge		EBD = 1.8L 4Cyl SOHC	DGC = 3 Speed Automatic
	D= Chrysler			DG0 = All Automatic
	P= Plymouth			DBB = All Manual

AR = Use as required - = Non illustrated part # = New this model year

May 3, 2002



**Cowl and Dash Panel  
Figure SPL-610**



ITEM	PART NUMBER	QTY	LINE	BODY	DESCRIPTION
1					PANEL, Plenum
	#5014 123AE	1			
	#5014 543AE	1	Z		
2					EXTENSION, Cowl Top, (NOT REQUIRED)
3	#4783 770	1	Z		BRACKET, A/C to Cowl Plenum
4	#4783 772	1	Z		BRACKET, Clutch Pedal
5					SCREEN, Cowl Top
	#5008 271AB	1	D, P		
	#5008 272AB	1	Z		
6	6036 163AA	5			SCREW, .19-16x1.00, Cowl Screen Attaching
7	4805 119AB	5			GROMMET, Cowl
8					PANEL, Cowl Top
	#5014 855AA	1			
	#5014 858AA	1			Export
9					BRACKET, Wiper Motor
	#5008 349AA	1	D, P		Left
	#5008 352AA	1	Z		Right
-10	4278 178	2			TAPE, Hole Cover, 50x50x1 mm
11					PLUG, Cowl Side
	#4888 550	1			Right
	#4888 551	1			Left
12					PANEL, Cowl Side
	#5014 672AB	1			Right
	#5014 673AB	1			Left
13	#4783 658	1			WEATHERSTRIP, Cowl Plenum to Hood
14					PANEL, Dash Panel Wheelhouse
	#4888 886AA	1			Right
	#4888 887AA	1			Left
15					SILENCER, Plenum And Dash Panel
	#4783 872AB	1	D, P		
	#4783 927AB	1	Z		
16					PANEL, Dash
	#5008 341AA	1	Z		
	#5014 417AB	1			
-17					PAD, Dash Panel
	#4888 918AA	1	D, P		Lower,Right
	#4888 919AA	1	D, P		Lower,Left
	#4888 921AA	1	Z		Lower,Left
18					PANEL, Dash Upper
	#4888 882AA	1	D, P		
	#4888 892AA	1	Z		
19	5264 670	1	D, P		PLUG, Dash Panel
-20					STUD, Weld, M5x1.60x14

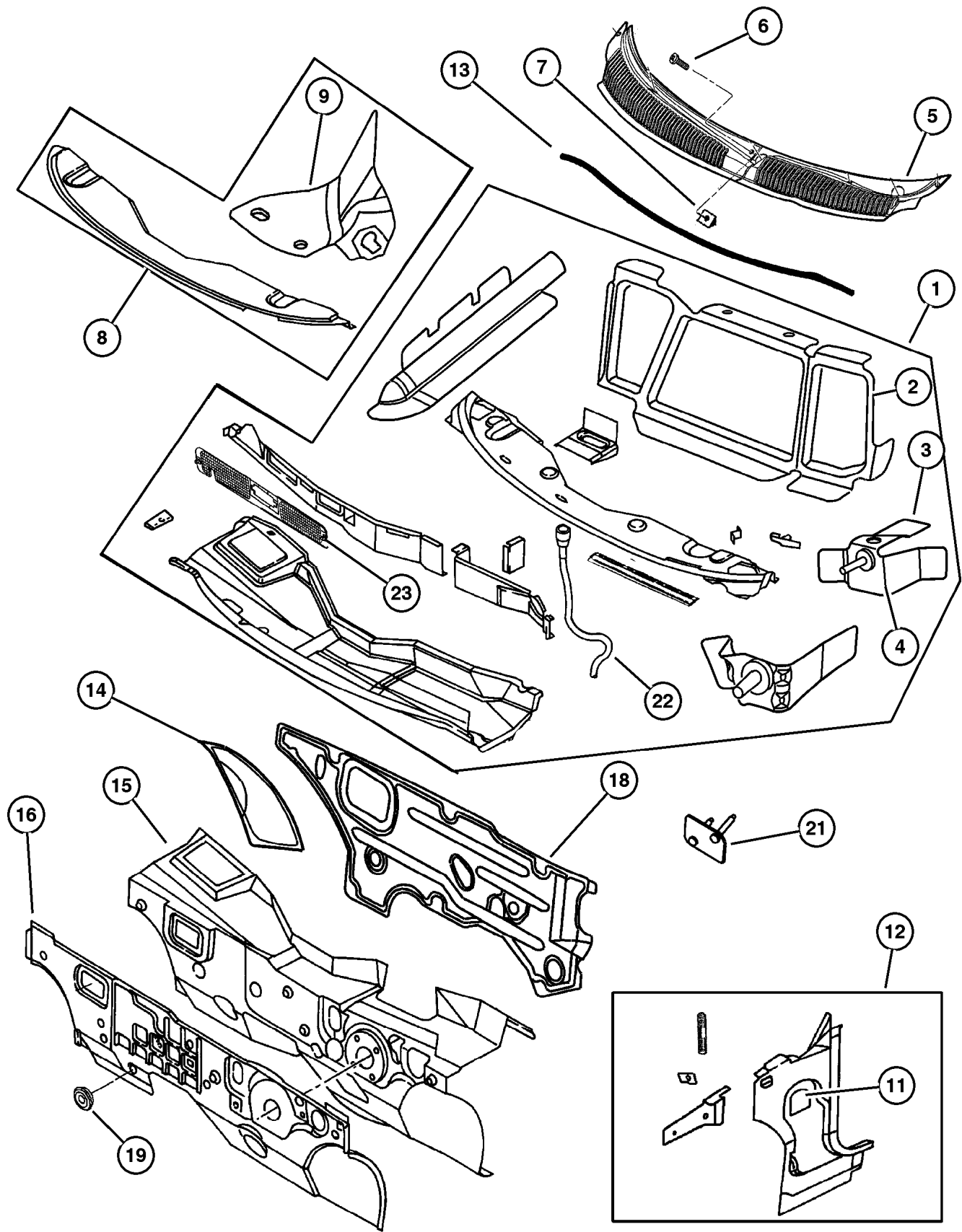
**DODGE - PLYMOUTH - CHRYSLER NEON (PL)**

SERIES	LINE	BODY	ENGINE	TRANSMISSION
L=Low Line	Z= RHD	41 = 4 Door, 104.0WB	ECB =2.0L 4 Cyl. SOHC	DD5 = 5 Speed Manual
H=High Line	D= Dodge		EBD = 1.8L 4Cyl SOHC	DGC = 3 Speed Automatic
	D= Chrysler			DG0 = All Automatic
	P= Plymouth			DBB = All Manual

AR = Use as required - = Non illustrated part # = New this model year

May 3, 2002

### Cowl and Dash Panel Figure SPL-610



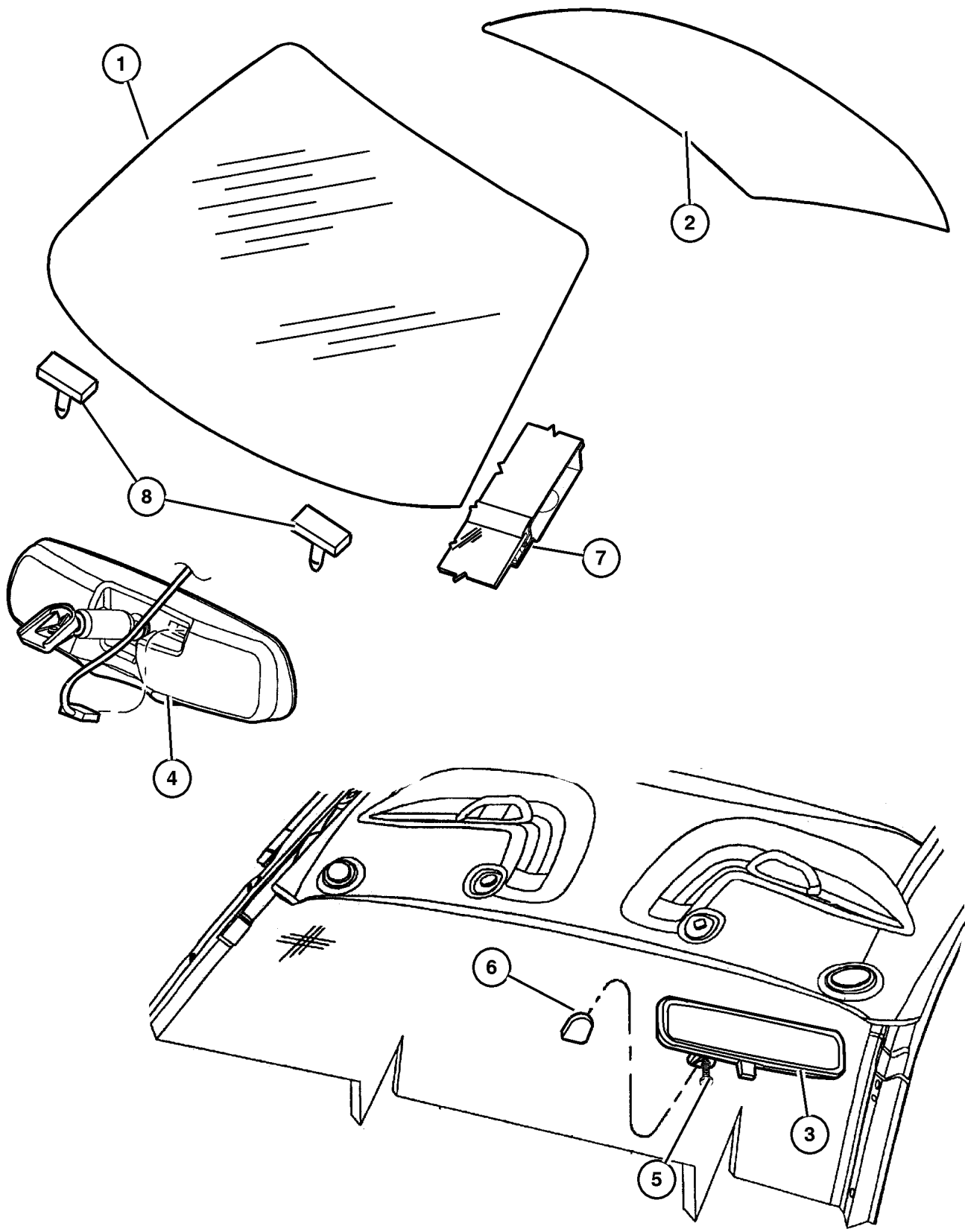
ITEM	PART NUMBER	QTY	LINE	BODY	DESCRIPTION
	#6503 273	8			Cowl Pleum To Dash Panel
		8			Fuel & Brake Line To Dash Panel
21	#4888 812AA	1	D, P		PLATE, Accelerator Pedal Attach
22	5264 688	1			TUBE, Drain
23					SCREEN, Cowl Plenum
	#5291 554AA	1			Prevents Debris Into Hvac Blower Wheel, Right
	#5291 555AA	1			Prevents Debris Into Hvac Blower Wheel, Left

<b>DODGE - PLYMOUTH - CHRYSLER NEON (PL)</b>				
SERIES	LINE	BODY	ENGINE	TRANSMISSION
L=Low Line	Z= RHD	41 = 4 Door, 104.0WB	ECB =2.0L 4 Cyl. SOHC	DD5 = 5 Speed Manual
H=High Line	D= Dodge		EBD = 1.8L 4Cyl SOHC	DGC = 3 Speed Automatic
	D= Chrysler			DG0 = All Automatic
	P= Plymouth			DBB = All Manual

AR = Use as required - = Non illustrated part # = New this model year

May 3, 2002

**Windshield, Backlite and Mirror**  
**Figure SPL-710**



ITEM	PART NUMBER	QTY	LINE	BODY	DESCRIPTION
1	#4783 824	1			WINDSHIELD, Tinted
2	#5008 049AC	1			BACKLITE, Electric Heated, Tinted
3	4299 325AB	1			MIRROR, Inside Rear View
4	5008 018AB	1			MIRROR, Inside Rear View, Lighted
5	6031 094	1			SCREW, Pan Head Tapping, .19-16x.375
6	4054 098	1			BUTTON, Rear View Mirror
7					SPACER
	4278 662	4			Backlite
		6			Windshield
8	#5008 025AB	2			RETAINER, Windshield
-9	#5014 559AD	1			WINDSHIELD, Shipping Assembly - 30 Lite Glass

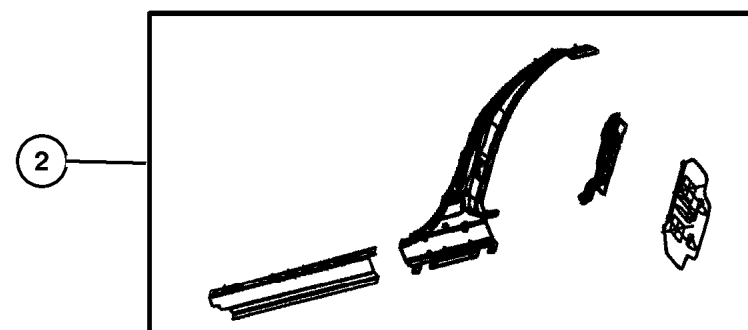
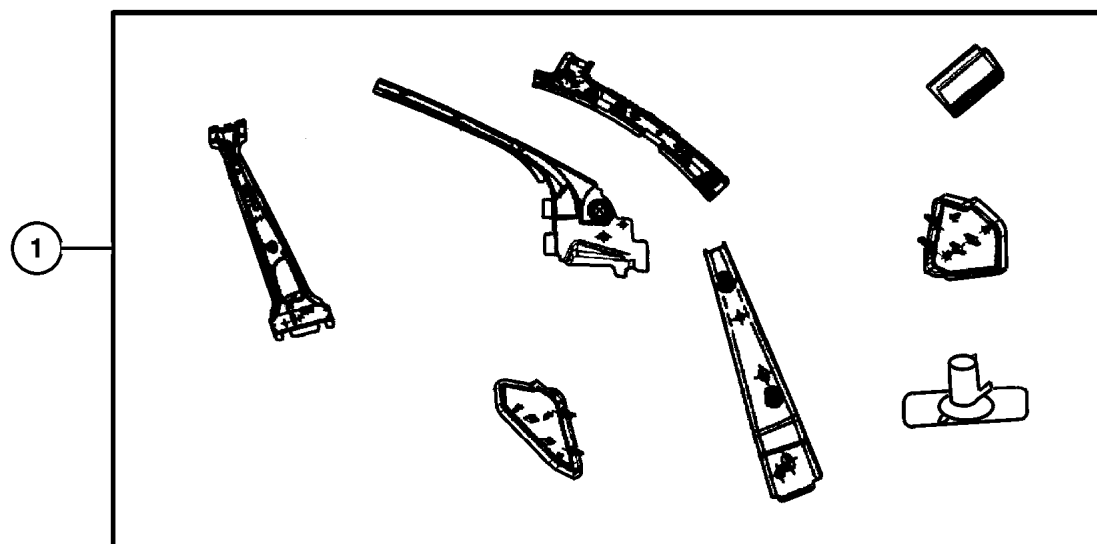
**DODGE - PLYMOUTH - CHRYSLER NEON (PL)**

SERIES	LINE	BODY	ENGINE	TRANSMISSION
L=Low Line	Z= RHD	41 = 4 Door, 104.0WB	ECB =2.0L 4 Cyl. SOHC	DD5 = 5 Speed Manual
H=High Line	D= Dodge		EBD = 1.8L 4Cyl SOHC	DGC = 3 Speed Automatic
	D= Chrysler			DG0 = All Automatic
	P= Plymouth			DBB = All Manual

AR = Use as required - = Non illustrated part # = New this model year

### Aperture Panels - Packages (4-Door) Figure SPL-810

ITEM	PART NUMBER	QTY	LINE	BODY	DESCRIPTION
1					PANEL, Body Side Aperture Inner
	#5012 848AF	1			Right
	#5012 849AF	1			Left
2					REINFORCEMENT, Body Side Aperture
	#5014 680AE	1			Right
	#5014 681AE	1			Left



**DODGE - PLYMOUTH - CHRYSLER NEON (PL)**

SERIES	LINE	BODY	ENGINE
L=Low Line	Z= RHD	41 = 4 Door, 104.0WB	ECB =2.0L 4 Cyl. SOHC
H=High Line	D= Dodge		EBD = 1.8L 4Cyl SOHC
	D= Chrysler		
	P= Plymouth		

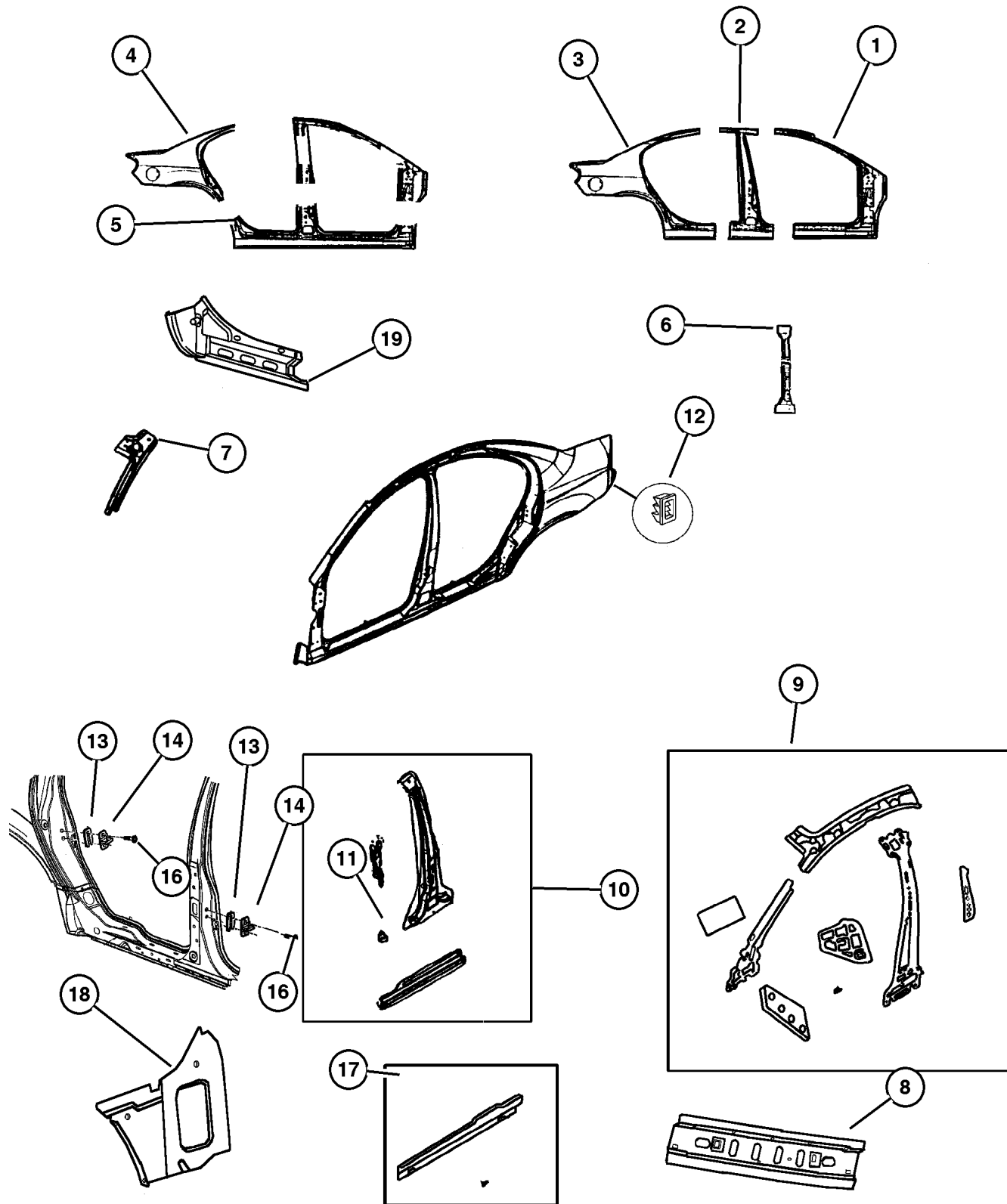
  

TRANSMISSION
DD5 = 5 Speed Manual
DGC = 3 Speed Automatic
DG0 = All Automatic
DBB = All Manual

AR = Use as required - = Non illustrated part # = New this model year

May 3, 2002

Aperture Panels - 4 Door 4-Door  
Figure SPL-820



ITEM	PART NUMBER	QTY	LINE	BODY	DESCRIPTION
1					PANEL, Body Side Aperture Front
	#5012 856AE	1			Right
	#5012 857AE	1			Left
2					PANEL, Body Side Aperture Center
	#5012 858AE	1			Right
	#5012 859AE	1			Left
3					PANEL, Body Side Aperture Rear, With Rocker Sill
	#5012 860AE	1			Right
	#5012 861AE	1			Left
4					PANEL, Body Side Aperture Rear, Without Rocker Sill
	#5012 864AE	1			Right
	#5012 865AE	1			Left
5					PANEL PACKAGE, Sill
	#5012 862AH	1			Right
	#5012 863AH	1			Left
6					REINFORCEMENT, Body Side Aperture
	#5014 680AD	1			B-Pillar, Right
	#5014 681AD	1			B-Pillar, Left
7					FRAME, Windshield Side
	#4783 962	1			Right,Side
	#4783 963	1			Left,Side
8	#4783 984AC	1			FRAME, Windshield, Opening - Upper
9					PANEL, Body Side Aperture Inner
	#5012 848AE	1			Right
	#5012 849AE	1			Left
10					REINFORCEMENT, Body Side Aperture
	#5014 680AD	1			Right
	#5014 681AD	1			Left
11	#4783 931	2			RETAINER, Door Striker
12	#5264 595AE	1			EXHAUSTER, A/C Air, Interior Trim Panel
13	4520 289	AR			SPACER, Door Latch Striker
14	4780 259	2			STRIKER, Door, Front and Rear
-15	4674 669	2			PLATE, Liftgate Striker, Body Front and Rear Door Striker
16	6503 120	4			SCREW AND WASHER, Button Head Torx, Door Latch Striker Attaching
17					SILL, Body Side
	#5013 126AC	1			Right
	#5013 127AC	1			Left
18					EXTENSION, Body Side Aperture
	#4888 560AB	1			To Rear Floor Pan, Right
	#4888 561AB	1			To Rear Floor Pan, Left
19					REINFORCEMENT, Body Side Aperture
	#4888 934AB	1			Rear Jack, Right

DODGE - PLYMOUTH - CHRYSLER NEON (PL)

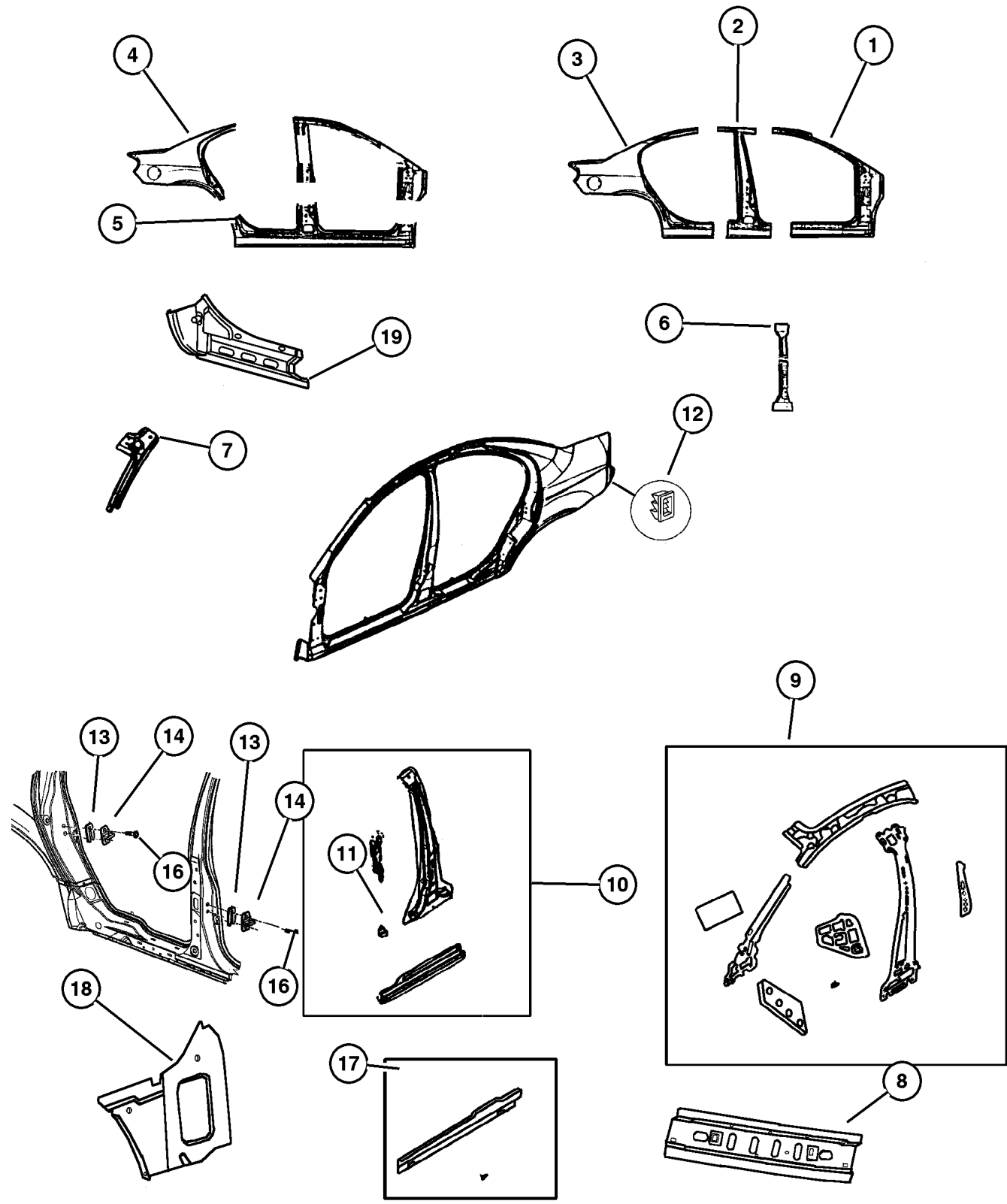
SERIES	LINE	BODY	ENGINE	TRANSMISSION
L=Low Line	Z= RHD	41 = 4 Door, 104.0WB	ECB =2.0L 4 Cyl. SOHC	DD5 = 5 Speed Manual
H=High Line	D= Dodge		EBD = 1.8L 4Cyl SOHC	DGC = 3 Speed Automatic
	D= Chrysler			DG0 = All Automatic
	P= Plymouth			DBB = All Manual

AR = Use as required - = Non illustrated part # = New this model year

May 3, 2002

Aperture Panels - 4 Door 4-Door  
Figure SPL-820

ITEM	PART NUMBER	QTY	LINE	BODY	DESCRIPTION
	#4888 935AB	1			Rear Jack, Left



DODGE - PLYMOUTH - CHRYSLER NEON (PL)  
 SERIES LINE BODY ENGINE TRANSMISSION  
 L=Low Line Z= RHD 41 = 4 Door, 104.0WB ECB =2.0L 4 Cyl. SOHC DD5 = 5 Speed Manual  
 H=High Line D= Dodge EBD = 1.8L 4Cyl SOHC DGC = 3 Speed Automatic  
 P= Plymouth DG0 = All Automatic  
 DBB = All Manual

AR = Use as required - = Non illustrated part # = New this model year

Quarter Panel 4-Door  
Figure SPL-910

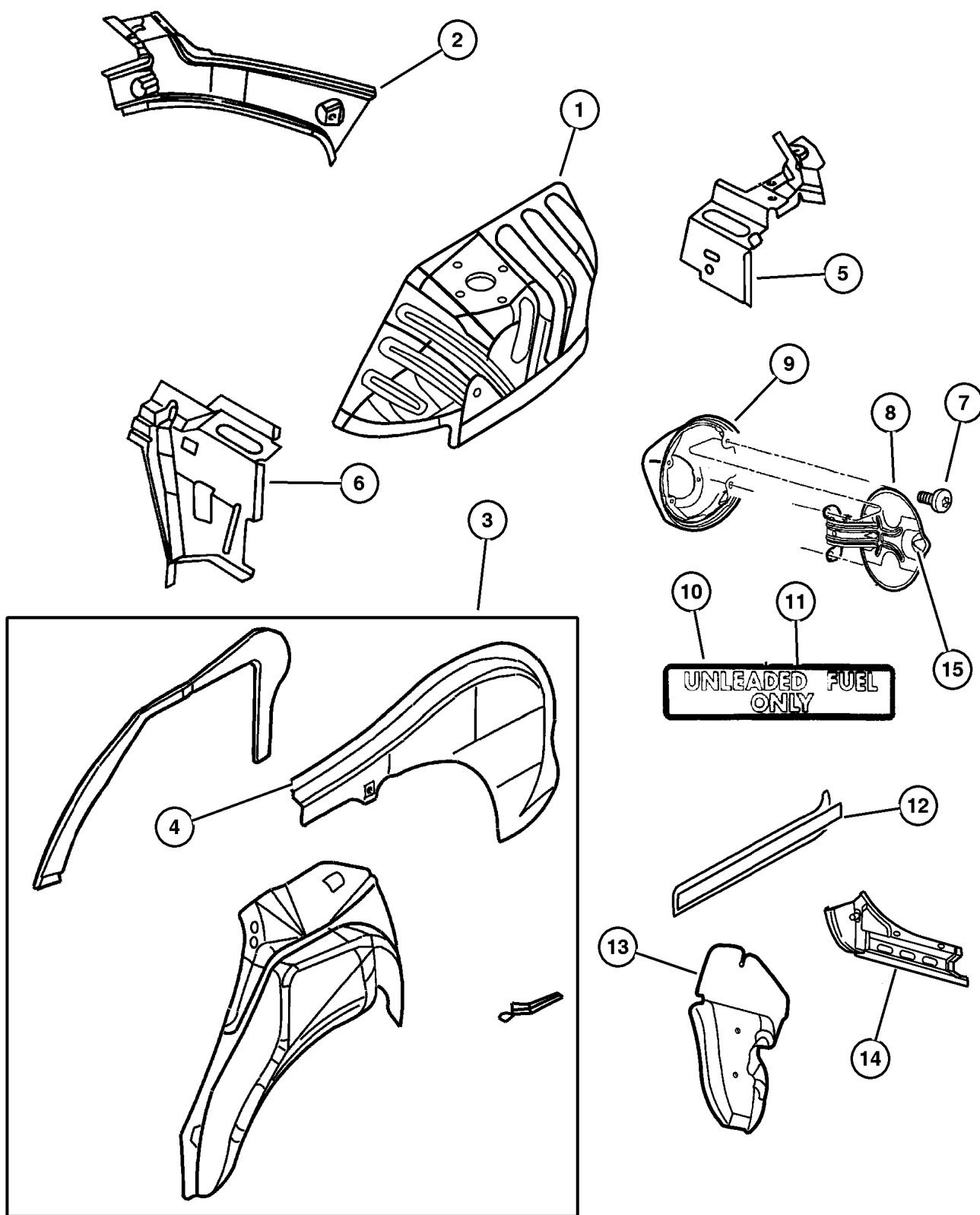
ITEM	PART NUMBER	QTY	LINE	BODY	DESCRIPTION
Note: Quarter Panel Outer Is Part Of the Aperture - See Illustration 820 n key.					
1	#5014 440AA	1			PANEL, Rear Wheelhouse Right
	#5014 441AA	1			Left
2	#4783 980AB	1			PANEL, Quarter Inner Upper,Right
	#4783 981AB	1			Upper,Left
3	#5014 734AC	1			PANEL, Quarter Inner Right
	#5014 735AC	1			Left
4	#5008 096AA	1			EXTENSION, Quarter Inner Lower Right
	#5008 097AA	1			Left
5	#4783 852AB	1			EXTENSION, Shelf Panel Outer,Right
	#4783 853AB	1			Outer,Left
6	#4783 322AB	1			SUPPORT, Rear Shelf Panel To Wheelhouse, Right
	#4783 323AB	1			To Wheelhouse, Left
7	6503 318	2			SCREW, Pan Head Tapping, M6x1x11, Fuel Filler Door Attaching
8	#4888 942AA	1			DOOR, Fuel Fill
9	#4783 925	1			HOUSING, Fuel Filler
10	4206 059	1			LABEL, Unleaded Fuel Only English
	4696 849	1			Splash Back (French)
11	4853 321AA	1			LABEL, Fuel, Spanish
12	4278 178	2			TAPE, Hole Cover, 50x50x1 mm, Quarter,Inner,Lower
13	#5008 070AA	1			SHIELD, Wheelhouse Right,Rear
	#5008 071AA	1			Left,Rear
14	#4888 934AB	1			REINFORCEMENT, Body Side Aperture Rear Jack, Right
	#4888 935AB	1			Rear Jack, Left
15	5256 863	2			BUMPER, Fuel Door

DODGE - PLYMOUTH - CHRYSLER NEON (PL)

SERIES	LINE	BODY	ENGINE	TRANSMISSION
L=Low Line	Z= RHD	41 = 4 Door, 104.0WB	ECB =2.0L 4 Cyl. SOHC	DD5 = 5 Speed Manual
H=High Line	D= Dodge		EBD = 1.8L 4Cyl SOHC	DGC = 3 Speed Automatic
	D= Chrysler			DG0 = All Automatic
	P= Plymouth			DBB = All Manual

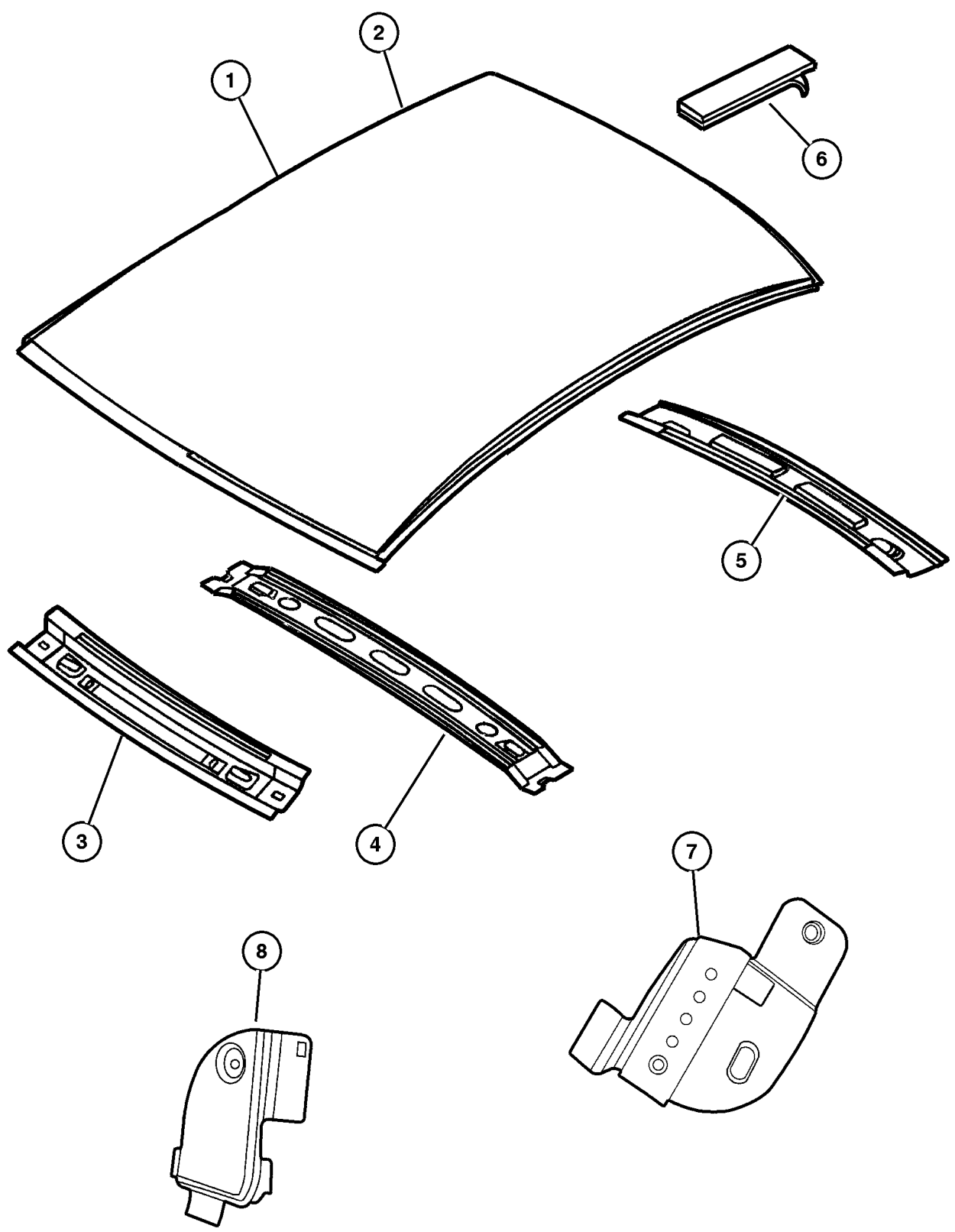
AR = Use as required - = Non illustrated part # = New this model year

May 3, 2002



**Roof Panel**  
**Figure SPL-1110**

ITEM	PART NUMBER	QTY	LINE	BODY	DESCRIPTION
1	#4783 863	1			ROOF
2	#5008 050AA	1			PANEL AND REINFORCEMENT, Sunroof, With Sunroof
3	#4783 984	1			FRAME, Windshield
4	#4888 615AB	1			BOW, Roof
5	#4783 855	1			FRAME, Rear Window
6	4278 178	2			TAPE, Hole Cover, 50x50x1 mm
7					SUPPORT, Roof
	#4888 850AC	1			Front Corner - Roof Panel Seal, Right
	#4888 851AC	1			Front Corner - Roof Panel Seal, Left
8					SUPPORT, Roof
	#4888 792AC	1			Roof Panel Seal, Right
	#4888 793AC	1			Roof Panel Seal, Left



**DODGE - PLYMOUTH - CHRYSLER NEON (PL)**

SERIES	LINE	BODY	ENGINE	TRANSMISSION
L=Low Line	Z= RHD	41 = 4 Door, 104.0WB	ECB =2.0L 4 Cyl. SOHC	DD5 = 5 Speed Manual
H=High Line	D= Dodge		EBD = 1.8L 4Cyl SOHC	DGC = 3 Speed Automatic
	D= Chrysler			DG0 = All Automatic
	P= Plymouth			DBB = All Manual

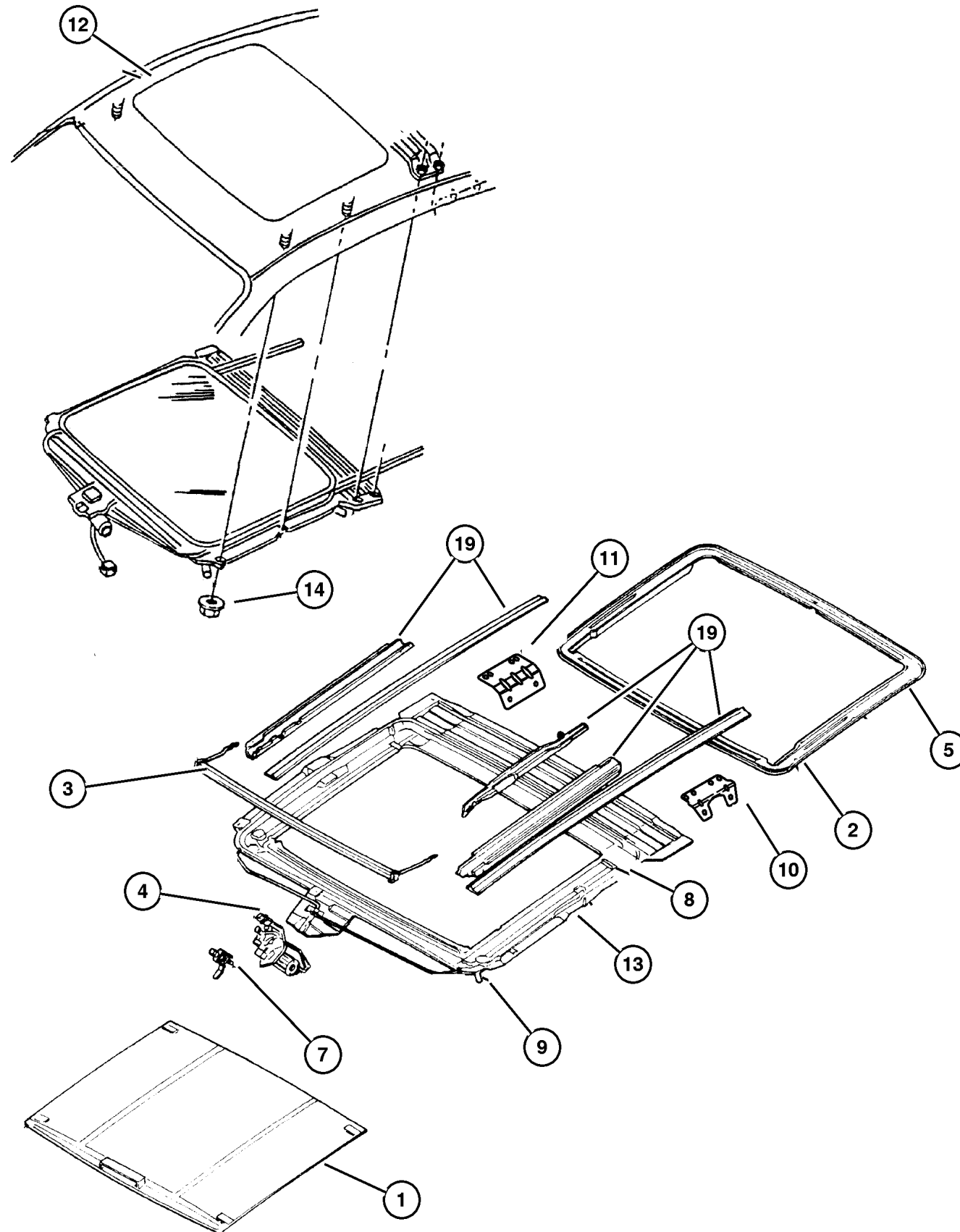
AR = Use as required - = Non illustrated part # = New this model year

May 3, 2002



**Sunroof  
Figure SPL-1210**

ITEM	PART NUMBER	QTY	LINE	BODY	DESCRIPTION
1	#5008 346AA	1			SUNSHADE, Sunroof
2	#RZ79 TL2AA	1			WELT, Sunroof Opening
3					DEFLECTOR, Sunroof Wind
	#5008 347AA	1			(Use Up To 10-25-99)
	#5018 351AA	1			(Use After 10-25-99)
4	#5008 344AA	1			MOTOR, Sunroof, w/Wiring
5	#5008 345AA	1			GLASS, Sunroof
-6	#5008 322AA	4			GROMMET
7					LOCATOR, Sunroof Drive Cable, Drive Tube (Serviced With Item13), (NOT SERVICED)
8	#5008 320AA	1			HOSE, Sunroof Drain, Front,Right
9	#5008 321AA	1			HOSE, Sunroof Drain, Front,Left
10					BRACKET, Sunroof Module to Roof Rail Rear, (NOT SERVICED)
11					BRACKET, Sunroof Module to Quarter Inner, (NOT SERVICED)
12					PANEL AND REINFORCEMENT, Sunroof, (NOT SERVICED)
13	#5015 542AA	1			MODULE, Sunroof, Without Glass and Sunshade
14	6101 712	6			NUT, U, M6x1
-15	#6102 103AA	8			SCREW AND WASHER, Hex Head, M6x1x20, Sunroof Modular Attaching
-16	#5008 348AA	1			CONTROL UNIT, Sunroof
-17	6101 719	8			SCREW AND WASHER, Tapping, M6-1.0x20.0, Sunroof Modular Attaching, Front
-18	4681 344AB	1			SILENCER, Roof, Sun Roof Module
19					SUNROOF, Complete, (NOT SERVICED)



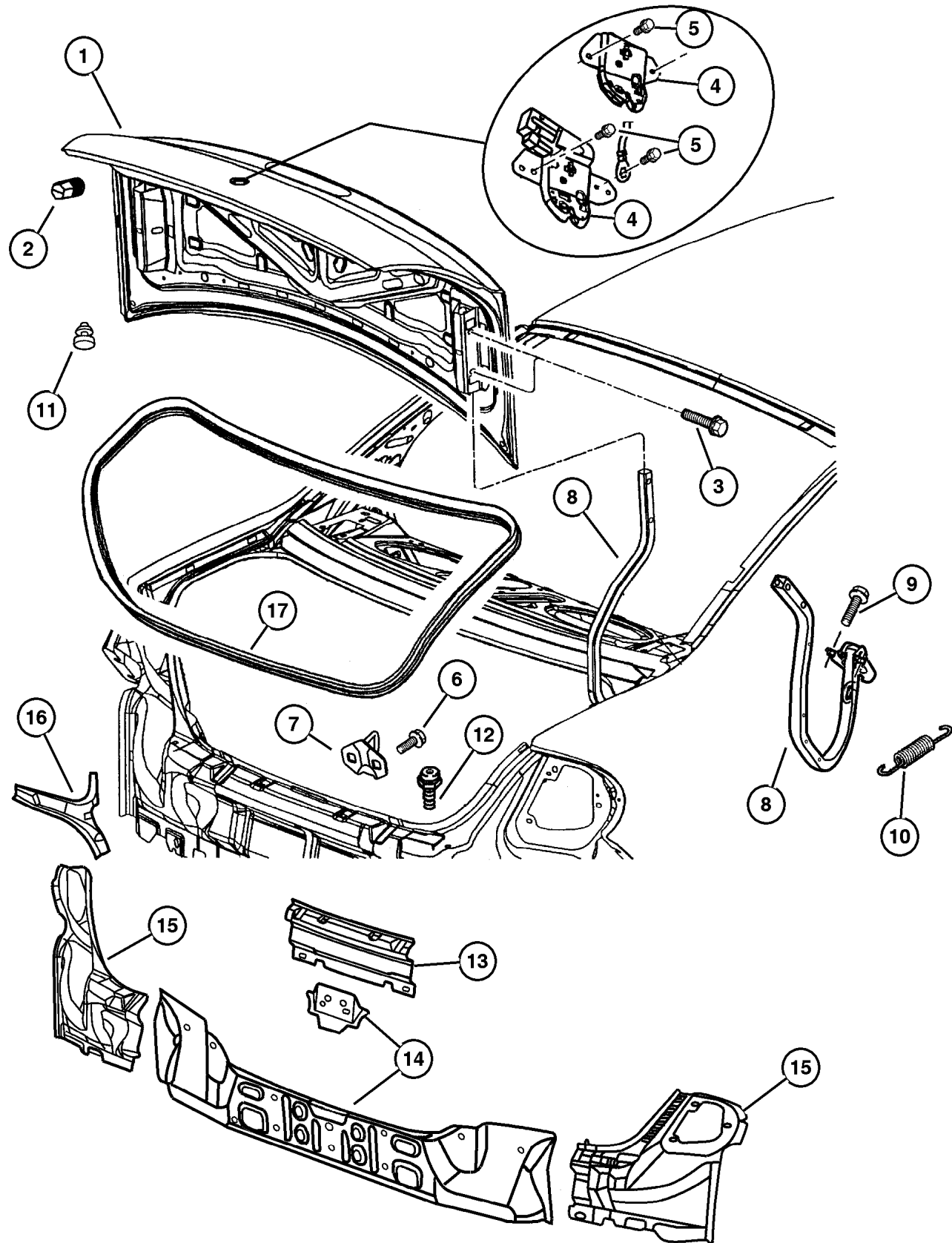
**DODGE - PLYMOUTH - CHRYSLER NEON (PL)**

SERIES	LINE	BODY	ENGINE	TRANSMISSION
L=Low Line	Z= RHD	41 = 4 Door, 104.0WB	ECB =2.0L 4 Cyl. SOHC	DD5 = 5 Speed Manual
H=High Line	D= Dodge		EBD = 1.8L 4Cyl SOHC	DGC = 3 Speed Automatic
	D= Chrysler			DG0 = All Automatic
	P= Plymouth			DBB = All Manual

AR = Use as required - = Non illustrated part # = New this model year

May 3, 2002

Deck Lid  
Figure SPL-1310



ITEM	PART NUMBER	QTY	LINE	BODY	DESCRIPTION
1					DECKLID
	#5012 455AC	1			(Use Up To 2-7-00)
	#5012 455AD	1			(Use After 2-7-00)
2	#5288 912AA	2			BUMPER, Deck Lid Overslam
3	6101 805	4			SCREW, Hex Head Tapping, M6x1x40
4					LATCH, Decklid
	4888 622AF	1			Power
	4724 313AF	1			Power
5	6101 777	2			SCREW, Hex Flange Head Tapping, M6x1.00x20.00
6	6502 925	2			SCREW AND WASHER, Hex Head, M6x1x21
7	#5008 113AA	1			STRIKER, Decklid Latch
8					HINGE, Deck Lid
	#4783 900	1			Right
	#4783 901	1			Left
9	6101 718	8	D, P		SCREW AND WASHER, Oval Head, M6x1x25
10	#5008 281AA	2			SPRING, Deck Lid Hinge
11	#4783 903	2			BUMPER, Upstop
12	4103 165	2			BUMPER, Hood, Deck Lid
13	#4783 471	1			PANEL, Deck Lower Rear Closure
14	#5014 462AA	1			REINFORCEMENT, Deck Opening Panel
15					PANEL, Decklid Opening
	#4783 476	1			Right
	#4783 477	1			Left
16					REINFORCEMENT, Decklid Opening
	#4783 478	1			Right
	#4783 479	1			Left
17	#4783 623	1			WEATHERSTRIP, Deck Lid

DODGE - PLYMOUTH - CHRYSLER NEON (PL)

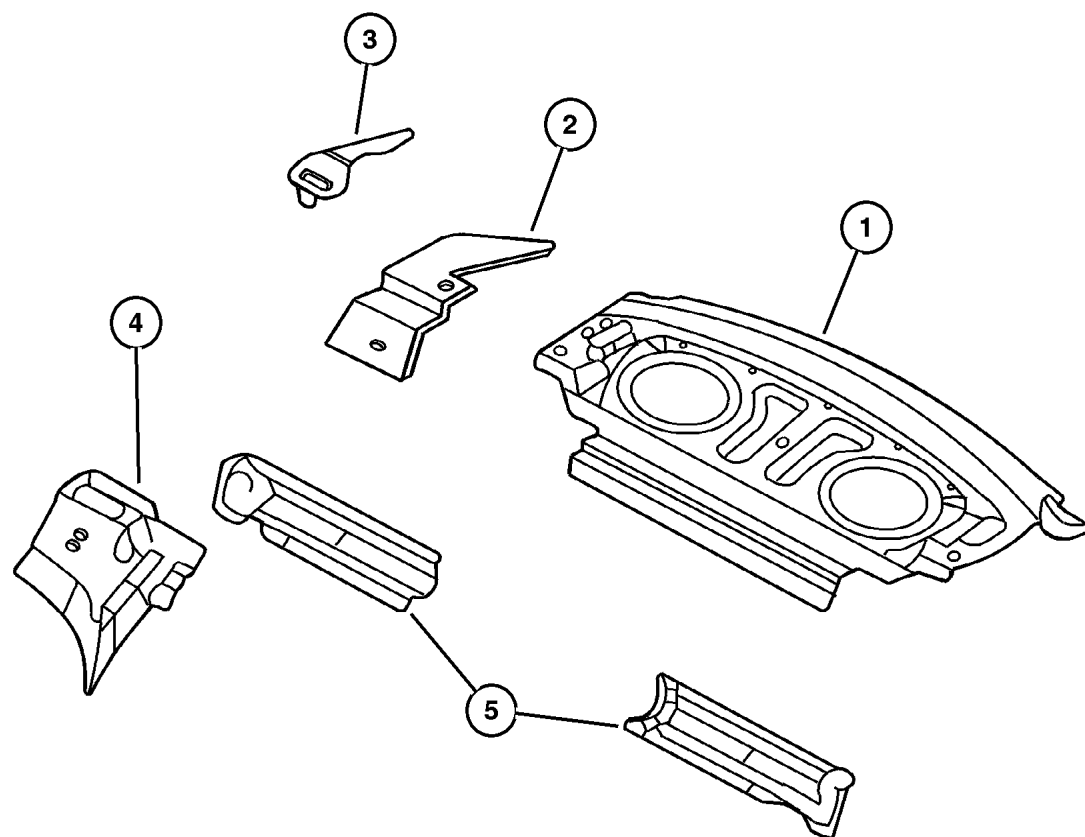
SERIES	LINE	BODY	ENGINE	TRANSMISSION
L=Low Line	Z= RHD	41 = 4 Door, 104.0WB	ECB =2.0L 4 Cyl. SOHC	DD5 = 5 Speed Manual
H=High Line	D= Dodge		EBD = 1.8L 4Cyl SOHC	DGC = 3 Speed Automatic
	D= Chrysler			DG0 = All Automatic
	P= Plymouth			DBB = All Manual

AR = Use as required - = Non illustrated part # = New this model year

May 3, 2002

**Rear Shelf Panel  
Figure SPL-1410**

ITEM	PART NUMBER	QTY	LINE	BODY	DESCRIPTION
1	#4783 360	1			PANEL, Shelf
2					EXTENSION, Shelf Panel
	#4783 852AB	1			Right
	#4783 853AB	1			Left
3					REINFORCEMENT, Shelf Panel Rear
	#4783 848	1			Shoulder Belt Anchor, Right
	#4783 849	1			Shoulder Belt Anchor, Left
4					SUPPORT, Rear Shelf Panel
	#4783 322	1			To Wheelhouse, Right
	#4783 323	1			To Wheelhouse, Left
5	#5008 029AA	1			



<b>DODGE - PLYMOUTH - CHRYSLER NEON (PL)</b>				
SERIES	LINE	BODY	ENGINE	TRANSMISSION
L=Low Line	Z= RHD	41 = 4 Door, 104.0WB	ECB =2.0L 4 Cyl. SOHC	DD5 = 5 Speed Manual
H=High Line	D= Dodge		EBD = 1.8L 4Cyl SOHC	DGC = 3 Speed Automatic
	D= Chrysler			DG0 = All Automatic
	P= Plymouth			DBB = All Manual

AR = Use as required - = Non illustrated part # = New this model year

May 3, 2002